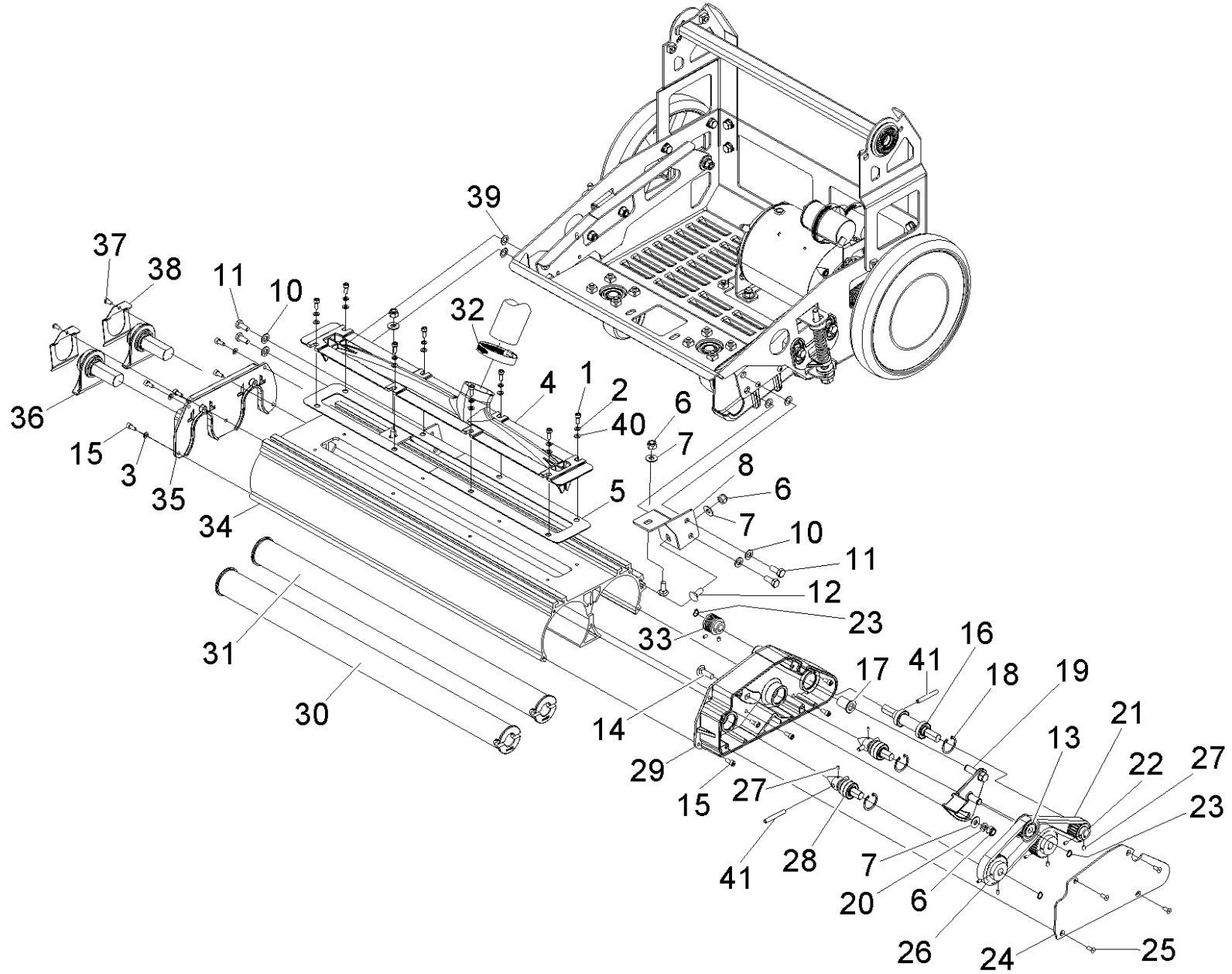


41 Suction bar

Professional \ Vacuum cleaner \ Dry vacuum cleaner \ CV 66/2 220V \ Spare parts list CV 66/2 *EU \ Power brush \ Suction bar



41 Suction bar

Professional \ Vacuum cleaner \ Dry vacuum cleaner \ CV 66/2 220V \ Spare parts list CV 66/2 *EU \ Power brush \ Suction bar



POS	Article no.	Description	Quantity	Unit	Foot note text
16	8.629-320.0	ASSEMBLY, JACK SHAFT, NUWAV	1	PC	
17	8.621-523.0	Bearing	1	PC	
21	8.621-531.0	BELT, TIMING, 5MM X 15MM X 575	1	PC	
19	8.621-553.0	BRACKET, BELT TENSIONER	1	PC	
30	8.621-612.0	Brush	1	PC	ORDER TOGETHER WITH 8.621-611.0
31	8.621-611.0	Brush	1	PC	ORDER TOGETHER WITH 8.621-612.0
32	8.621-675.0	CLAMP, WORM GEAR 40 - 64MM	1	PC	
34	8.621-781.0	Covering cap	1	PC	
5	8.621-814.0	GASKET, VAC NOZZLE	2	PC	
29	8.621-940.0	HOUSING, BRUSH DRIVE	1	PC	
35	8.621-941.0	HOUSING, BRUSH RELEASE CLIP	1	PC	
4	8.629-011.0	NOZZLE, VACUUM, DECK	1	PC	
6	8.627-083.0	NUT, 5/16-18 HEX NYLOCK SS	5	PC	
24	8.622-289.0	PLATE, BRUSH DRIVE COVER	1	PC	
22	8.622-331.0	PULLEY, 5MM HTD, 18T, 12.7ID	1	PC	
26	8.622-332.0	PULLEY, 32T, 5MM HTD	2	PC	
33	8.629-114.0	PULLEY, MICRO-V, 1.125 OD	1	PC	
23	8.622-349.0	RING, 10MM EXT SNAP, DIN 471	2	PC	
18	8.622-352.0	RING, 28MM INT SNAP PHOSPHATE	3	PC	
13	8.601-278.0	Roller	1	PC	
12	8.629-338.0	SCREW, 5/16-18 X .75 CARR	4	PC	
14	8.627-713.0	SCREW, 5/16-18 X 1 CARR SS	1	PC	
37	8.617-298.0	SCREW, KA50 X 10 OVHCS STL WN1412 ZNPLT	2	PC	
25	8.617-297.0	SCREW, M5 X 12 PHFLHMS SS ISO7046	4	PC	
15	8.629-340.0	SCREW, M5-.8 X 12 SCHCS GR10.9 ZNPLT	10	PC	
1	8.629-339.0	SCREW, M5-.8 X 15 SCHCS GR10.9 BLKOX	8	PC	
11	8.629-596.0	SCREW, M10-1.5 X 20 HHMS GR8.8 ZNPLT	4	PC	
41	8.622-417.0	SHAFT, 6.2MM BRUSH DRIVE	2	PC	
28	8.601-279.0	SHAFT ASM, BRUSH DRIVE	2	PC	
36	8.629-323.0	SHAFT ASSY, BRUSH END CAP	2	PC	
38	8.622-463.0	SPRING, BRUSH CLIP	2	PC	
27	8.622-378.0	Threaded pin M4X8	10	PC	
7	8.601-067.0	WASHER, 5/16 FLT SS	5	PC	

41 Suction bar

Professional \ Vacuum cleaner \ Dry vacuum cleaner \ CV 66/2 220V \ Spare parts list CV 66/2 *EU \ Power brush \ Suction bar



POS	Article no.	Description	Quantity	Unit	Foot note text
3	8.617-335.0	WASHER, M5 FLT SS ISO7089	5	PC	
40	8.617-333.0	WASHER, M5 SS ISO7093	8	PC	
2	8.613-728.0	WASHER, M8 FLT STL DIN125A ZNPLT	8	PC	
10	8.601-072.0	WASHER, M10 FNDR STL ZNPLT	4	PC	
39	8.629-597.0	WASHER, M10 INTLK	4	PC	
20	8.627-913.0	Washer 5/16 SPLIT LOCK PLTD	1	PC	
8	8.629-246.0	WELDMENT, DECK LEVELING BRKT	2	PC	