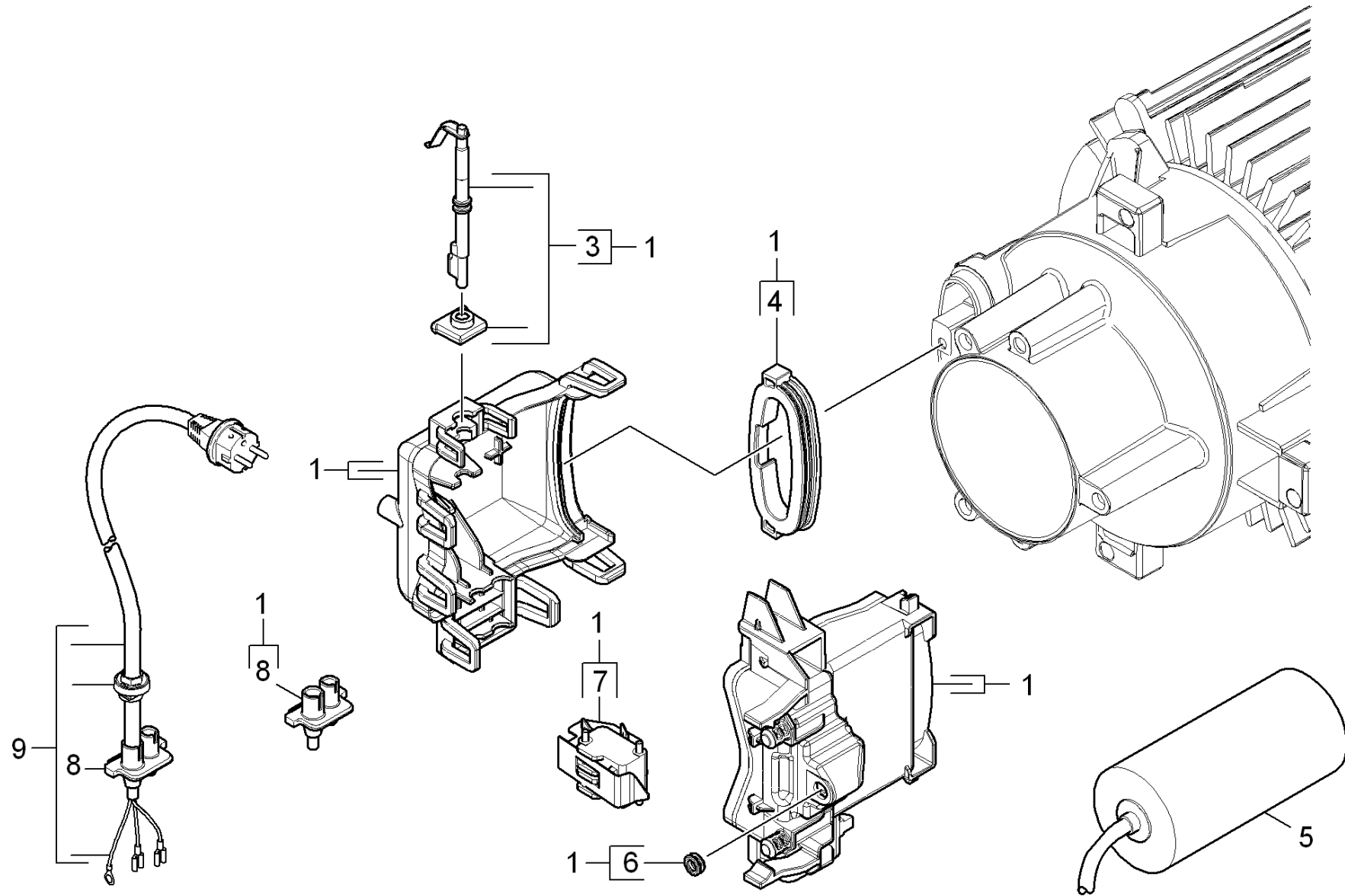


## 50 Electric box

Overview technical documents/Professional/High pressure cleaner cold water/Electric motor/HD 5/12 CX Plus \*EU (1.520-121.0)/Spare parts list HD 5/12 CX Plus/50 Electric box



## 50 Electric box

Overview technical documents/Professional/High pressure cleaner cold water/Electric motor/HD 5/12 CX Plus \*EU (1.520-121.0)/Spare parts list HD 5/12 CX Plus/50 Electric box

Rez.daļas/nodil.pakļ.daļas	Poz.	Materiāla Nr.	Nosaukums	Daudzums	Pārdoš. vienība
X-X	1	2.885-375.0	Spare parts set electric box complete HD	1.000	ST
X-X	3	2.885-376.0	Selector shaft spare parts set HDC	1.000	ST
	4	5.363-761.0	Seal label	1.000	ST
X	5	6.650-109.0	Capacitor with cable 40 µF (Silikon)	1.000	ST
	6	5.363-749.0	Seal control piston	1.000	ST
X-X	7	6.961-000.0	Mikroslēdzis	1.000	ST
	8	5.363-807.0	Seal cable HDC	1.000	ST
X	9	6.650-201.0	Cable with plug *EU	1.000	ST