

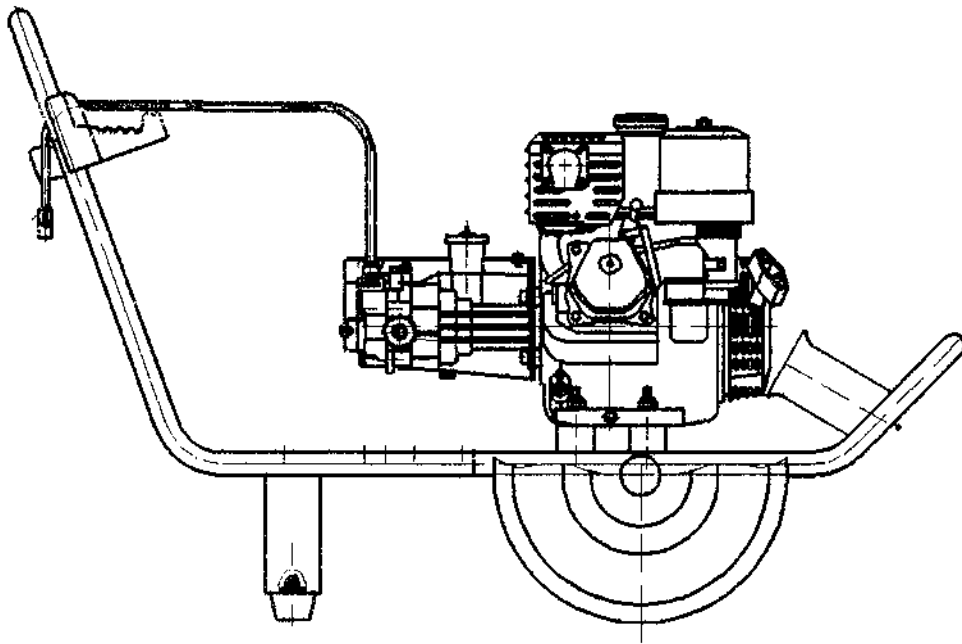


HD 801 B
New Unit Information

International Service Information
No. 1998-020 dated April 9th, 1998

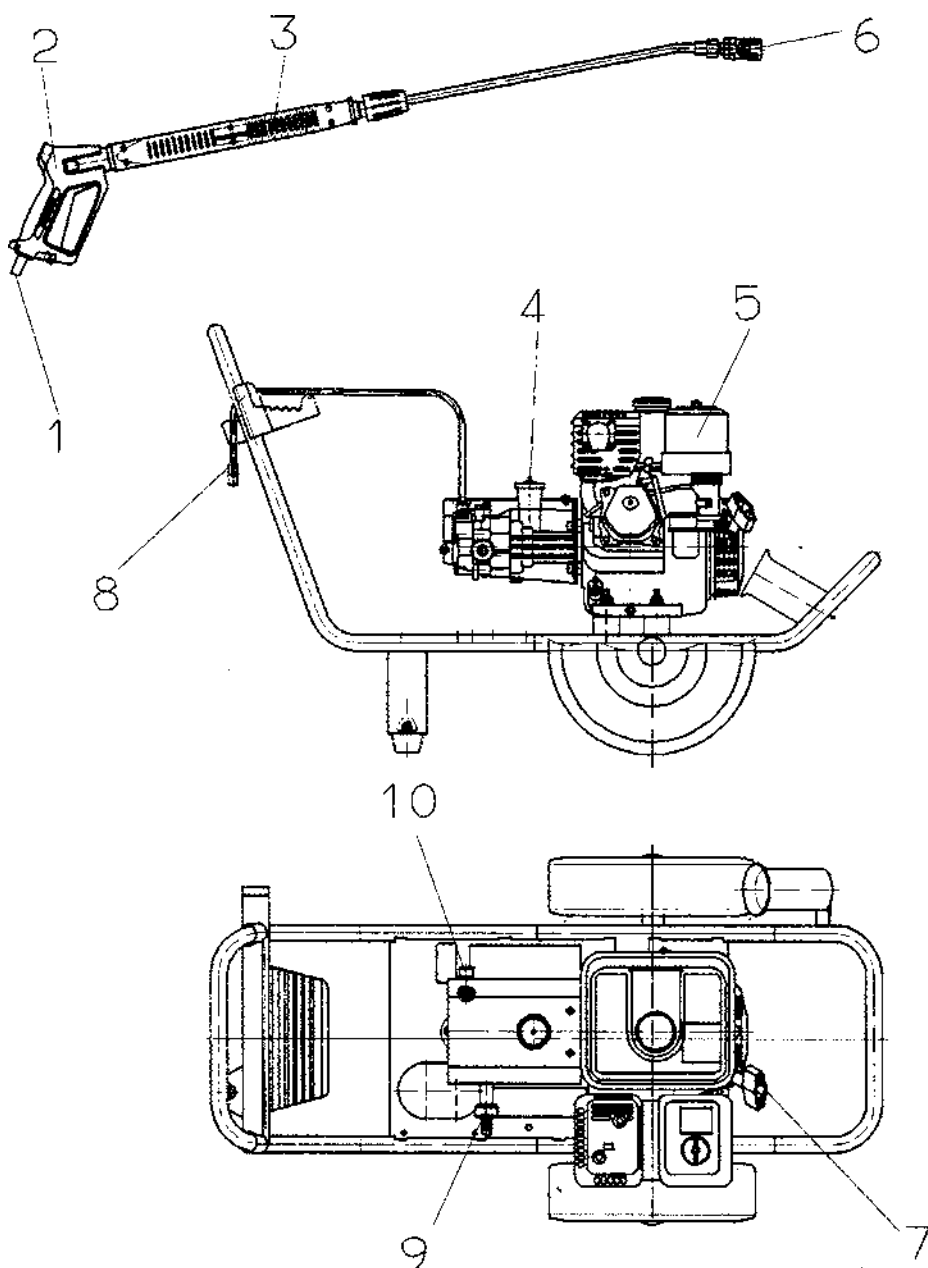
HD 801 B

1.187-101



**HD 801 B**
New Unit InformationInternational Service Information
No. 1998-020 dated April 9th, 1998

Equipment features



- 1 High-pressure hose
- 2 Handgun
- 3 Spray lance
- 4 Oil filler container
- 5 Fuel tank
- 6 Three-way nozzle

- 7 Recoil hand start
- 8 Cleaning agent suction hose with strainer
- 9 Water inlet
- 10 High-pressure outlet



HD 801 B

New Unit Information

**International Service Information
No. 1998-020 dated April 9th, 1998**

Technical features

- Successor unit of HD 800 B (see also Service Information No. 86/94 dated Dec. 16th, 1994)
- Driven by HONDA motor GX 160:
 - 4-phase engine with recoil hand start and oil sensor, r.p.m. adjustment by hand
- Pipe frame of HD 1040 B
- Airfilled wheels
- Brass cylinder head of HD 525 S with old high-pressure connection
- Strengthened suction and pressure valves
- Brass piston guide housing of HD 525 S
- modified overflow and injector for low circulation pressure
- Swash plate and axial bearing of HD 525 S
- Cleaning agent suction in low pressure operation
- Motor continues running when handgun is closed with higher r.p.m. in circulation operation.
- Temperature limiter on cylinder head for protection of high-pressure pump during circulation operation. When temperature of cylinder head is higher than 80°C the ignition of the engine is short-circuited.

**HD 801 B****New Unit Information****International Service Information
No. 1998-020 dated April 9th, 1998****Technical Data**

The following technical data sheet has been made by using Word 8.0 and is also available via KMN (file "Service Int'l / Technical Data / CCE-PHD") :

– 1.187-101

This technical data sheet is also enclosed.

Circuit diagram

There is no circuit diagram for this unit.