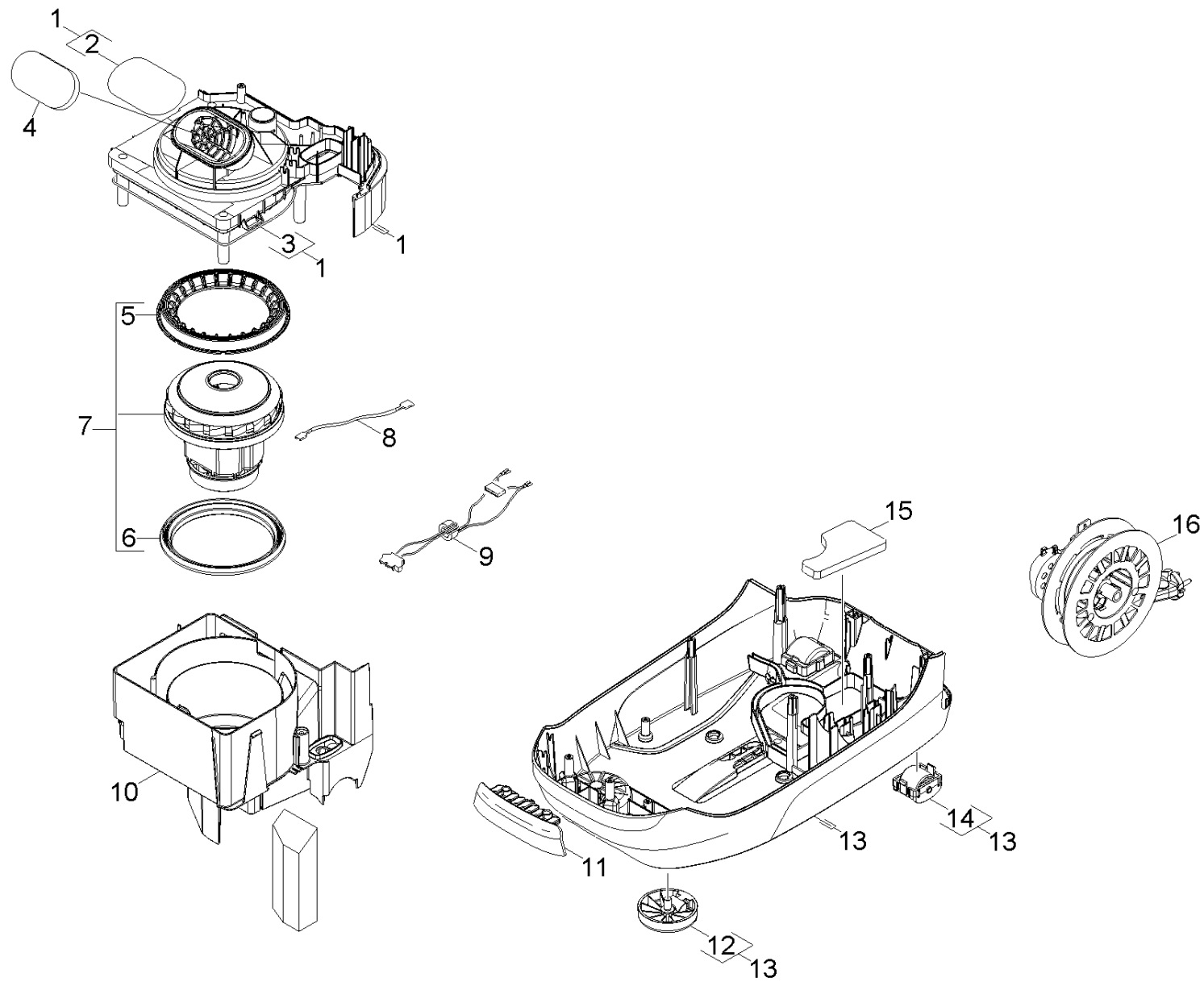


20 Vacuum motor

Overview technical documents/Home & Garden/Vacuum cleaner/Dry vacuum cleaner/DS 6.000 (1.195-200.0)/Spare parts list DS 6.000 *EU/20 Vacuum motor



20 Vacuum motor

Overview technical documents/Home & Garden/Vacuum cleaner/Dry vacuum cleaner/DS 6.000 (1.195-200.0)/Spare parts list DS 6.000 *EU/20 Vacuum motor

Rez.daļas/nodil.pakļ.daļas	Poz.	Materiāla Nr.	Nosaukums	Daudzums	Pārdoš. vienība	Daž. informācija
	1	4.195-226.0	Air circulation complete for replacement	1.000	ST	
	2	5.195-398.0	Seal air circulation DS 6.000	1.000	ST	
X	3	5.195-376.0	Seal string DS 6.000	1.000	ST	
X	4	6.195-239.0	Foam insert air circulation DS 6.000	1.000	ST	
	5	9.079-050.0	Motor sealing	1.000	ST	
	6	9.079-024.0	Seal motor above	1.000	ST	
X	7	4.195-225.0	Vacuum motor 900W	1.000	ST	
	8	6.195-249.0	Cable DS 6.000	1.000	ST	
	9	4.195-231.0	Cable with capacitor	1.000	ST	
	10	5.195-370.0	Motor mount	1.000	ST	
	11	4.195-235.0	Bearing for replacement DS 6.000	1.000	ST	
X-X	12	4.195-220.0	Castor complete black	2.000	ST	
	13	4.195-227.0	Housing bottom part for replacement	1.000	ST	
X-X	14	4.195-219.0	Fixed castor complete black	2.000	ST	
	15	6.195-240.0	Foam insert GUT DS 6.000	1.000	ST	
X	16	4.195-229.0	Cable automatic complete for replacement	1.000	ST	/*EU
	16	4.195-056.0	Cable automatic complete Ersatz *AU	1.000	ST	/*AU
	16	4.195-246.0	Cable automatic complete DS 6.000 *CH fu	1.000	ST	/*CH