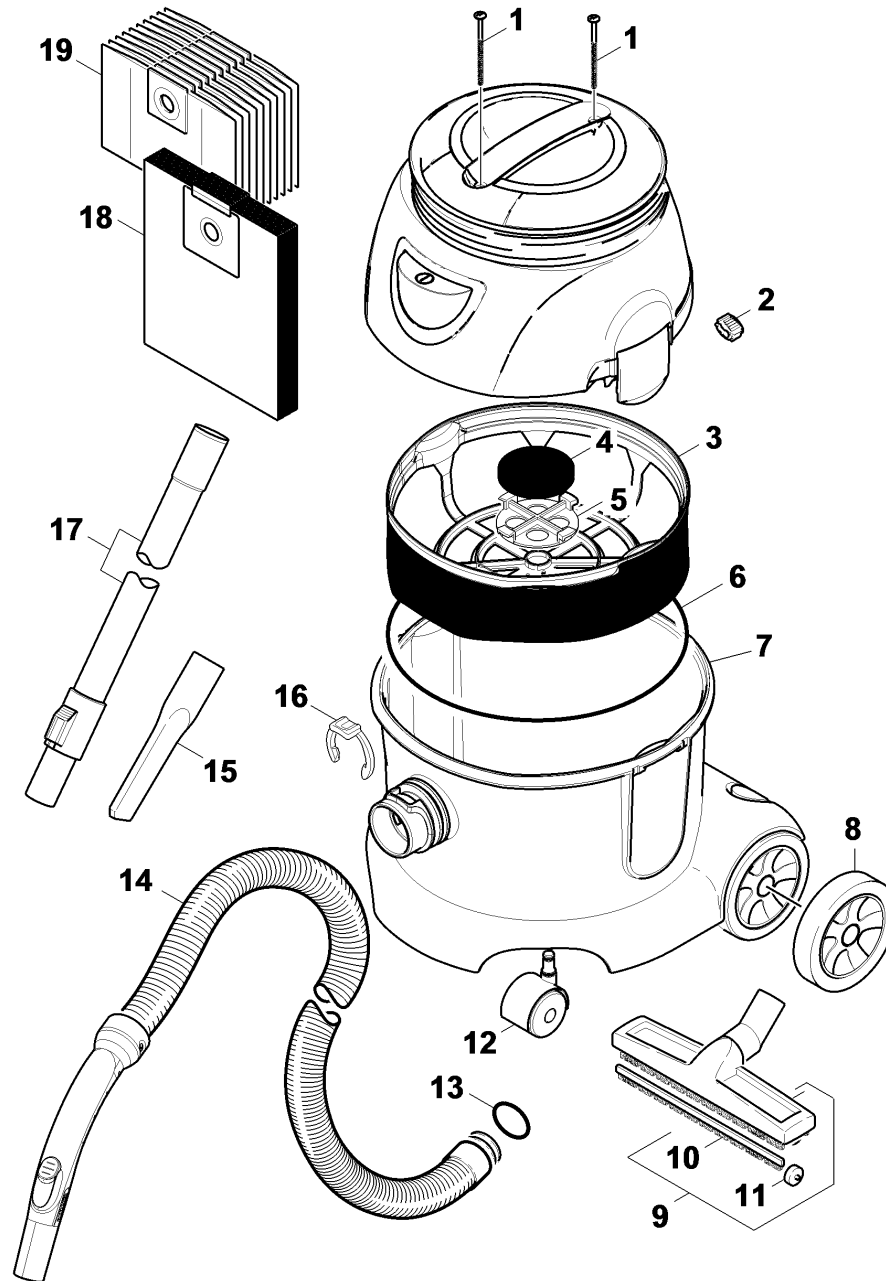


6 Short spare parts list

Professional \ Vacuum cleaner \ Dry vacuum cleaner \ T 10/1 Adv *EU \ Short spare parts list



6 Short spare parts list

Professional \ Vacuum cleaner \ Dry vacuum cleaner \ T 10/1 Adv *EU \ Short spare parts list

KÄRCHER

POS	Article no.	Description	Quantity	Unit
10	6.903-278.0	Brush strips set	1.000	ST
15	6.903-403.0	Crevice nozzle DN32	1.000	ST
4	6.414-611.0	Filter 5 St.	1.000	ZSA
18	6.904-315.0	Filter bag fleece	1.000	ST
3	5.731-649.0	Filtering basket packaged	1.000	ST
9	6.905-083.0	Floor tool packaged D300 NW32	1.000	ST
5	5.032-674.0	Grate filter motor protecting	1.000	ST
16	5.343-022.0	Locking ring	1.000	ST
13	6.363-182.0	O-Ring seal 30,2 x 3,0	2.000	ST
19	6.904-333.0	Paper filtering bag 10 St. Kärcher	1.000	ST
2	5.033-928.0	Plug fixing RAL 1018	1.000	ST
11	6.435-292.0	Roller only for replacement	2.000	ST
1	7.303-155.0	Screw 5x100-A2-70 (IN6RD)	2.000	ST
6	6.273-261.0	Seal string cellular rubber D6 850 +/-5	1.000	ST
12	2.889-003.0	Set castor	1.000	ST
14	4.440-907.0	Suction hose with elbow NW32	1.000	ST
7	4.070-800.0	Tank complete	1.000	ST
17	6.903-524.0	Telescopic suction tube NW32	1.000	ST
8	4.515-257.0	Wheel complete T 7/1	1.000	ST