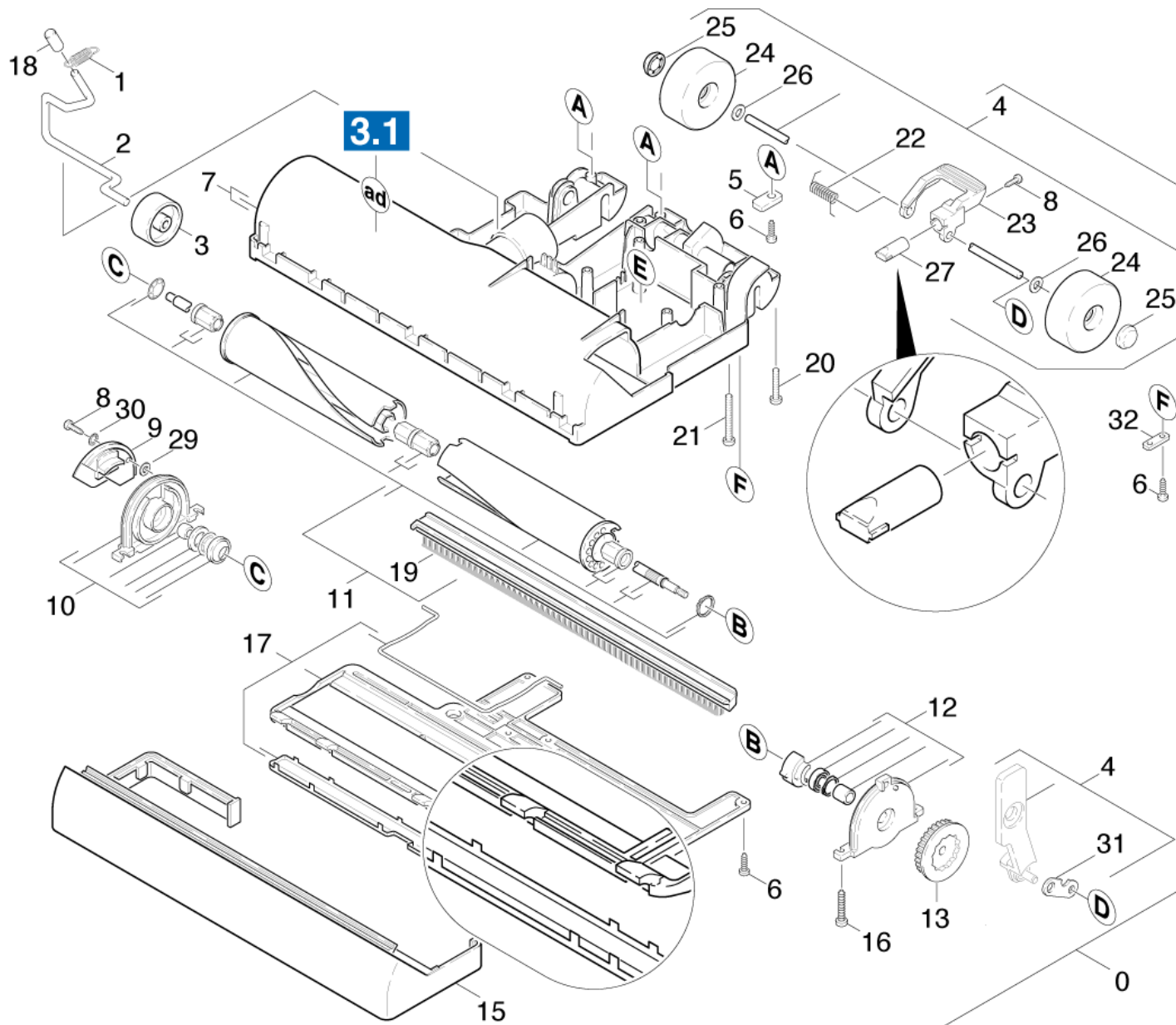


### 32 Brush-head bottom part CW 50

Overview technical documents/Professional/Vacuum cleaner/Dry vacuum cleaner/CW 50

\*EU (1.033-101.0)/Spare parts list CW 50/30 Brush-head CW 50/32 Brush-head bottom part CW 50



### 32 Brush-head bottom part CW 50

Overview technical documents/Professional/Vacuum cleaner/Dry vacuum cleaner/CW 50

\*EU (1.033-101.0)/Spare parts list CW 50/30 Brush-head CW 50/32 Brush-head bottom part CW 50

Rez.daļas/nodil.pakļ.daļas	Poz.	Materiāla Nr.	Nosaukums	Daudzums	Pārdoš. vienība	no sēr. Nr.	līdz sēr. Nr.	Daž. informācija
	0	4.762-210.0	Brush-head	1.000	ST	0000000000	0000000000	
Pozīcijas teksts: / 1.033-141.0								
	0	4.762-193.0	Brush-head grey	1.000	ST	0000000000	0000000000	
Pozīcijas teksts: / 1.033-108.0								
	0	4.762-191.0	Brush-head CW 50	1.000	ST	0000000000	0000000000	
Pozīcijas teksts: / 1.033-101.0 / -102.0 / -103.0 / -104.0 / -115.0								
	1	5.332-333.0	Extension spring	1.000	ST	0000000000	0000000000	
	2	5.481-155.0	Svira	1.000	ST	0000000000	0000000000	
X	3	5.515-069.0	Ritenis	1.000	ST	0000000000	0000000000	
	4	4.510-030.0	Axle complete	1.000	ST	0000000000	0000000000	
	5	5.004-658.0	Strap	2.000	ST	0000000000	0000000000	
	6	6.303-318.0	Screw 3,5x12-10.9-R2R (IN6RD)	12.000	ST	0000000000	0000000000	
	7	4.060-326.0	Housing bottom part only for replacement	1.000	ST	0000000000	0000000000	/1.033-141.0
Pozīcijas teksts: / 4.762-210.0								
	7	4.060-506.0	Housing bottom part only for replacement	1.000	ST	0000000000	0000000000	/1.033-101.0/-102.0/-103.0/-104.0/
Pozīcijas teksts: / 4.762-191.0 / -193.0								
	8	6.303-296.0	Screw M4X8	2.000	ST	0000000000	0000000000	
	9	5.048-085.0	Covering cap	1.000	ST	0000000000	0000000000	
X	10	4.250-051.0	Bearing plate complete right	1.000	ST	0000000000	0000000000	
	11	4.762-115.0	Roller brush	1.000	ST	0000000000	0000000000	
	12	4.250-050.0	bearing plate	1.000	ST	0000000000	0000000000	
	13	5.352-044.0	Gear wheel	1.000	ST	0000000000	0000000000	
	15	5.031-429.0	Bumper	1.000	ST	0000000000	0000000000	
X	16	7.303-129.0	Skrūve 4x16 -10.9-R2R (K-In6Rd)	4.000	ST	0000000000	0000000000	
	17	4.038-594.0	slide part	1.000	ST	0000000000	0000000000	

**32 Brush-head bottom part CW 50**

Overview technical documents/Professional/Vacuum cleaner/Dry vacuum cleaner/CW 50

\*EU (1.033-101.0)/Spare parts list CW 50/30 Brush-head CW 50/32 Brush-head bottom part CW 50

Rez.daļas/nodil.pakļ.dajas	Poz.	Materiāla Nr.	Nosaukums	Daudzums	Pārdoš. vienība	no sēr. Nr.	līdz sēr. Nr.	Daž. informācija
	18	5.110-551.0	Sleeve	1.000	ST	0000000000	0000000000	
X-X	19	6.905-503.0	Birstes gumija, pilns komplekts	1.000	ST	0000000000	0000000000	
	19	6.905-596.0	Birstes gumija, cieta	1.000	ST	0000000000	0000000000	
	20	6.304-120.0	Oval head screw M 5X 16-8.8-A2R (IN6RD)	1.000	ST	0000000000	0000000000	
	21	6.304-125.0	Oval head screw M 5X 30	3.000	ST	0000000000	0000000000	
	22	5.332-332.0	Leg spring	1.000	ST	0000000000	0000000000	
	23	5.481-218.0	Lever CW 50	1.000	ST	0000000000	0000000000	
X-X	24	5.515-068.0	Ritenis	2.000	ST	0000000000	0000000000	
X-X	25	6.343-187.0	Sprostpaplāksne	2.000	ST	0000000000	0000000000	
X-X	26	7.312-003.0	Washer 6 -200HV-A3E ISO 7090	2.000	ST	0000000000	0000000000	
	27	5.316-829.0	Bolt -CW 50-	1.000	ST	0000000000	0000000000	
	29	7.312-015.0	Washer 3 -Kunststoff ISO 7089	1.000	ST	0000000000	0000000000	
	30	7.312-163.0	Toothed lock washer A4,3-FST-PH DIN 679	1.000	ST	0000000000	0000000000	
	31	5.004-698.0	Strap	1.000	ST	0000000000	0000000000	
	32	5.004-808.0	Strap	1.000	ST	0000000000	0000000000	
X	34	7.313-001.0	Spring washer B 4-FSt-A3E DIN 127	1.000	ST	0000000000	0000000000	