

Spare parts list

(1.524-500.2) HD stationary

Table of contents

HD stationary (1.524-500.2)	19
10 Pump set complete HD 7/16-4 ST-H 400V	21
10 Spare parts list pump set complete HD 7/ (2.532-001.3)	22
1 Pump set HD 7/16-4 ST-H 400V	24
2 Housing thrust guidance HD 7/16-4 ST-H	26
3 Motor complete only for replacement HD 7 (4.624-076.0)	28
1 Motor complete HD 7/16-4ST 400V	29
4 Cylinder head complete -H	31
8 Spare part set control piston (2.885-226.0)	33
20 Valve screw (4.483-002.0)	35
13 Spare part set air circulation (2.885-228.0)	37
100 Pump set HD 7/16-4 ST-H (2.885-317.0)	39
3 Spare part set air circulation (2.885-228.0)	41
4 Electric control box HD 7/16-4 ST 400V	43
12 Elbow screw connector R1" (6.391-867.0)	45
13 Circulation pump (4.540-133.0)	47
40 Triple jet nozzle TR 043 (4.117-035.0)	49
1 Triple jet nozzle TR 043	50
40 Triple jet nozzle only for replacement 0 (4.767-152.0)	52
41 EASY!Force Advanced (4.118-005.0)	54
9000 Spare part set lever (2.885-483.0)	56
41 Hand trigger gun (4.775-448.0)	58
9001 Lever complete (4.481-209.0)	60
100 Spare part set control piston (2.885-226.0)	62
11 Pump set complete HD 9/18-4 ST-H 400V	64
10 Spare parts list pump set complete HD 9/ (2.532-004.3)	65
1 Pump set HD 9/18-4 ST-H	67
2 Thrust guidance complete	69
999 Piston complete (4.553-279.0)	71
3 Motor complete only for replacement HD 9 (4.624-071.0)	73
1 Motor complete HD 9/18-4ST 400V	74
4 Cylinder head complete -H	76
906 Spare part set control piston (2.885-226.0)	78
11 Spare part set air circulation (2.885-228.0)	80
100 Pump set HD 9/18 ST-H (2.885-318.0)	82
3 Spare part set air circulation (2.885-228.0)	84
4 Electric control box HD-ST 400V	86
12 Elbow screw connector R1" (6.391-867.0)	88

Table of contents

13 Circulation pump (4.540-133.0)	90
40 Triple jet nozzle TR 055 (4.117-039.0)	92
1 Triple jet nozzle TR 055	93
40 Triple jet nozzle 055 (4.767-066.0)	95
2 Spare parts list triple jet nozzle (5.970-000.0)	96
10 Triple jet nozzle	97
17 Nozzle holder 055 (4.764-159.0)	99
41 EASY!Force Advanced (4.118-005.0)	100
9000 Spare part set lever (2.885-483.0)	102
41 HAND TRIGGER GUN EASY PRESS (4.775-463.0)	104
9002 Lever complete (4.481-209.0)	106
100 Spare part set control piston (2.885-226.0)	108
12 Pump set complete HD 13/12-4 ST-H 400V	110
10 Spare parts list pump set complete HD 13 (2.532-007.3)	111
1 Pump set HD 13/12-4 ST-H 400V	113
2 Thrust guidance	115
999 Piston complete only for replacement (4.553-280.0)	117
3 Cylinder head complete -H	119
27 Overflow valve complete (4.591-063.0)	121
30 Spare part set control piston (2.885-226.0)	123
4 Motor complete only for replacement HD 1 (4.624-072.0)	125
1 Motor complete HD 13/12-4ST 400V	126
100 Pump set HD 13/12-4 ST-H (2.885-319.0)	128
4 Electric control box HD-ST 400V	130
12 Elbow screw connector R1" (6.391-867.0)	132
13 Circulation pump (4.540-133.0)	134
40 Triple jet nozzle only for replacement 0 (4.767-205.0)	136
2 Spare parts list triple jet nozzle (5.970-837.0)	137
10 Triple jet nozzle plastics	138
20 Triple jet nozzle brass	140
41 EASY!Force Advanced (4.118-005.0)	142
9000 Spare part set lever (2.885-483.0)	144
41 HAND TRIGGER GUN EASY PRESS (4.775-463.0)	146
9002 Lever complete (4.481-209.0)	148
100 Spare part set control piston (2.885-226.0)	150
13 Pump set complete HD 7/16-4 ST 400V	152
10 Spare parts list pump set complete HD 7/ (2.532-010.3)	153
1 Pump set HD 7/16-4 ST 400V	155

Table of contents

2 Housing thrust guidance HD 7/17	157
3 Motor complete only for replacement HD 7 (4.624-076.0)	159
1 Motor complete HD 7/16-4ST 400V	160
4 Cylinder head complete	162
7 Valve seat complete (4.481-226.0)	164
8 Spare part set control piston (2.885-226.0)	166
20 Valve screw (4.483-002.0)	168
13 Spare part set air circulation (2.885-228.0)	170
100 Pump set HD 7/16-4 ST-H (2.885-317.0)	172
3 Spare part set air circulation (2.885-228.0)	174
4 Electric control box HD 7/16-4 ST 400V	176
40 Triple jet nozzle TR 043 (4.117-035.0)	178
1 Triple jet nozzle TR 043	179
40 Triple jet nozzle only for replacement 0 (4.767-152.0)	181
41 EASY!Force Advanced (4.118-005.0)	183
9000 Spare part set lever (2.885-483.0)	185
41 HAND TRIGGER GUN EASY PRESS (4.775-463.0)	187
9002 Lever complete (4.481-209.0)	189
100 Spare part set control piston (2.885-226.0)	191
14 Pump set complete HD 9/18-4 ST 400V	193
1000 Spare parts list pump set complete HD 9/ (2.532-013.3)	194
1 Pump set HD 9/18-4 ST 400V (4.532-021.0)	196
2 Thrust guidance complete	198
10 Piston complete (4.553-279.0)	200
3 Motor complete only for replacement HD 9 (4.624-071.0)	202
1 Motor complete HD 9/18-4ST 400V	203
4 Cylinder head complete HD 9/18-4 ST	205
906 Spare part set control piston (2.885-226.0)	208
11 Spare part set air circulation (2.885-228.0)	210
100 Pump set HD 9/18 ST-H (2.885-318.0)	212
3 Spare part set air circulation (2.885-228.0)	214
4 Electric control box HD-ST 400V	216
40 Triple jet nozzle TR 055 (4.117-039.0)	218
1 Triple jet nozzle TR 055	219
40 Triple jet nozzle 055 (4.767-066.0)	221
2 Spare parts list triple jet nozzle (5.970-000.0)	222
10 Triple jet nozzle	223
17 Nozzle holder 055 (4.764-159.0)	225

Table of contents

41 EASY!Force Advanced (4.118-005.0)	226
9000 Spare part set lever (2.885-483.0)	228
41 HAND TRIGGER GUN EASY PRESS (4.775-463.0)	230
9002 Lever complete (4.481-209.0)	232
100 Spare part set control piston (2.885-226.0)	234
15 Pump set complete HD 13/12-4 ST 400V	236
1000 Spare parts list pump set complete HD 13 (2.532-016.3)	237
1 Pump set HD 13/12-4 ST 400V	239
2 Thrust guidance complete	241
999 Piston complete only for replacement (4.553-280.0)	243
3 Cylinder head complete	245
27 Overflow valve complete	247
30 Spare part set control piston (2.885-226.0)	249
4 Motor complete only for replacement HD 1 (4.624-072.0)	251
1 Motor complete HD 13/12-4ST 400V	252
100 Pump set HD 13/12-4 ST-H (2.885-319.0)	254
4 Electric control box HD-ST 400V	256
40 Triple jet nozzle only for replacement 0 (4.767-205.0)	258
2 Spare parts list triple jet nozzle (5.970-837.0)	259
10 Triple jet nozzle plastics	260
20 Triple jet nozzle brass	262
41 EASY!Force Advanced (4.118-005.0)	264
9000 Spare part set lever (2.885-483.0)	266
41 HAND TRIGGER GUN EASY PRESS (4.775-463.0)	268
9002 Lever complete (4.481-209.0)	270
100 Spare part set control piston (2.885-226.0)	272
20 Pump set complete HD 7/16-4 ST-H 230V	274
1000 Spare parts list pump set complete HD 7/ (2.532-003.3)	275
1 Pump set HD 7/16-4 ST-H 400V	277
2 Housing thrust guidance HD 7/16-4 ST-H	279
3 Motor complete only for replacement HD 7 (4.624-076.0)	281
1 Motor complete HD 7/16-4ST 400V	282
4 Cylinder head complete -H	284
8 Spare part set control piston (2.885-226.0)	286
20 Valve screw (4.483-002.0)	288
13 Spare part set air circulation (2.885-228.0)	290
100 Pump set HD 7/16-4 ST-H (2.885-317.0)	292
3 Spare part set air circulation (2.885-228.0)	294

Table of contents

4 Electric control box HD-ST 7/16 230V	296
12 Elbow screw connector R1" (6.391-867.0)	298
13 Circulation pump (4.540-133.0)	300
40 Triple jet nozzle TR 043 (4.117-035.0)	302
1 Triple jet nozzle TR 043	303
40 Triple jet nozzle only for replacement 0 (4.767-152.0)	305
41 EASY!Force Advanced (4.118-005.0)	307
9000 Spare part set lever (2.885-483.0)	309
41 Hand trigger gun (4.775-448.0)	311
9001 Lever complete (4.481-209.0)	313
100 Spare part set control piston (2.885-226.0)	315
21 Pump set complete HD 9/18-4 ST-H 230V	317
1000 Spare parts list pump set complete HD 9/ (2.532-006.3)	318
1 Pump set HD 9/18-4 ST-H	320
2 Thrust guidance complete	322
999 Piston complete (4.553-279.0)	324
3 Motor complete only for replacement HD 9 (4.624-071.0)	326
1 Motor complete HD 9/18-4ST 400V	327
4 Cylinder head complete -H	329
906 Spare part set control piston (2.885-226.0)	331
11 Spare part set air circulation (2.885-228.0)	333
100 Pump set HD 9/18 ST-H (2.885-318.0)	335
3 Spare part set air circulation (2.885-228.0)	337
4 Electric control box HD-ST 230V	339
12 Elbow screw connector R1" (6.391-867.0)	341
13 Circulation pump (4.540-133.0)	343
40 Triple jet nozzle TR 055 (4.117-039.0)	345
1 Triple jet nozzle TR 055	346
40 Triple jet nozzle 055 (4.767-066.0)	348
2 Spare parts list triple jet nozzle (5.970-000.0)	349
10 Triple jet nozzle	350
17 Nozzle holder 055 (4.764-159.0)	352
41 EASY!Force Advanced (4.118-005.0)	353
9000 Spare part set lever (2.885-483.0)	355
41 HAND TRIGGER GUN EASY PRESS (4.775-463.0)	357
9002 Lever complete (4.481-209.0)	359
100 Spare part set control piston (2.885-226.0)	361
22 Pump set complete HD 13/12-4 ST-H 230V	363

Table of contents

1000 Spare parts list pump set complete HD 13 (2.532-009.3)	364
1 Pump set HD 13/12-4 ST-H 230V	366
2 Thrust guidance	368
999 Piston complete only for replacement (4.553-280.0)	370
3 Cylinder head complete -H	372
27 Overflow valve complete (4.591-063.0)	374
30 Spare part set control piston (2.885-226.0)	376
4 Motor complete only for replacement (4.624-223.0)	378
1 Motor complete HD 13/12-4ST 230V	379
100 Pump set HD 13/12-4 ST-H (2.885-319.0)	381
4 Electric control box HD-ST 230V	383
12 Elbow screw connector R1" (6.391-867.0)	385
13 Circulation pump (4.540-133.0)	387
40 Triple jet nozzle only for replacement 0 (4.767-205.0)	389
2 Spare parts list triple jet nozzle (5.970-837.0)	390
10 Triple jet nozzle plastics	391
20 Triple jet nozzle brass	393
41 EASY!Force Advanced (4.118-005.0)	395
9000 Spare part set lever (2.885-483.0)	397
41 HAND TRIGGER GUN EASY PRESS (4.775-463.0)	399
9002 Lever complete (4.481-209.0)	401
100 Spare part set control piston (2.885-226.0)	403
23 Pump set complete HD 7/16-4 ST 230V	405
1000 Spare parts list pump set complete HD 7/ (2.532-012.3)	406
1 Pump set HD 7/16-4 ST 400V	408
2 Housing thrust guidance HD 7/17	410
3 Motor complete only for replacement HD 7 (4.624-076.0)	412
1 Motor complete HD 7/16-4ST 400V	413
4 Cylinder head complete	415
7 Valve seat complete (4.481-226.0)	417
8 Spare part set control piston (2.885-226.0)	419
20 Valve screw (4.483-002.0)	421
13 Spare part set air circulation (2.885-228.0)	423
100 Pump set HD 7/16-4 ST-H (2.885-317.0)	425
3 Spare part set air circulation (2.885-228.0)	427
4 Electric control box HD-ST 7/16 230V	429
40 Triple jet nozzle TR 043 (4.117-035.0)	431
1 Triple jet nozzle TR 043	432

Table of contents

40 Triple jet nozzle only for replacement 0 (4.767-152.0)	434
41 EASY!Force Advanced (4.118-005.0)	436
9000 Spare part set lever (2.885-483.0)	438
41 HAND TRIGGER GUN EASY PRESS (4.775-463.0)	440
9002 Lever complete (4.481-209.0)	442
100 Spare part set control piston (2.885-226.0)	444
24 Pump set complete HD 9/18-4 ST 230V	446
1000 Spare parts list pump set complete HD 9/ (2.532-015.3)	447
1 Pump set HD 9/18-4 ST 400V (4.532-021.0)	449
2 Thrust guidance complete	451
10 Piston complete (4.553-279.0)	453
3 Motor complete only for replacement HD 9 (4.624-071.0)	455
1 Motor complete HD 9/18-4ST 400V	456
4 Cylinder head complete HD 9/18-4 ST	458
906 Spare part set control piston (2.885-226.0)	461
11 Spare part set air circulation (2.885-228.0)	463
100 Pump set HD 9/18 ST-H (2.885-318.0)	465
3 Spare part set air circulation (2.885-228.0)	467
4 Electric control box HD-ST 230V	469
40 Triple jet nozzle TR 055 (4.117-039.0)	471
1 Triple jet nozzle TR 055	472
40 Triple jet nozzle 055 (4.767-066.0)	474
2 Spare parts list triple jet nozzle (5.970-000.0)	475
10 Triple jet nozzle	476
17 Nozzle holder 055 (4.764-159.0)	478
41 EASY!Force Advanced (4.118-005.0)	479
9000 Spare part set lever (2.885-483.0)	481
41 HAND TRIGGER GUN EASY PRESS (4.775-463.0)	483
9002 Lever complete (4.481-209.0)	485
100 Spare part set control piston (2.885-226.0)	487
25 Pump set complete HD 13/12-4 ST 230V	489
1000 Spare parts list pump set complete HD 13 (2.532-018.3)	490
1 Pump set HD 13/12-4 ST 230V	492
2 Thrust guidance complete	494
999 Piston complete only for replacement (4.553-280.0)	496
3 Cylinder head complete	498
27 Overflow valve complete	500
30 Spare part set control piston (2.885-226.0)	502

Table of contents

4 Motor complete only for replacement (4.624-223.0)	504
1 Motor complete HD 13/12-4ST 230V	505
100 Pump set HD 13/12-4 ST-H (2.885-319.0)	507
4 Electric control box HD-ST 230V	509
40 Triple jet nozzle only for replacement 0 (4.767-205.0)	511
2 Spare parts list triple jet nozzle (5.970-837.0)	512
10 Triple jet nozzle plastics	513
20 Triple jet nozzle brass	515
41 EASY!Force Advanced (4.118-005.0)	517
9000 Spare part set lever (2.885-483.0)	519
41 HAND TRIGGER GUN EASY PRESS (4.775-463.0)	521
9002 Lever complete (4.481-209.0)	523
100 Spare part set control piston (2.885-226.0)	525
30 Pump set complete HD 7/16-4 ST-H 220-240V 60Hz	527
1000 Spare parts list pump set complete HD 7/ (2.532-027.3)	528
1 Pump set HD 7/16-4 ST-H 60Hz	530
2 Housing thrust guidance 10° HD 7/16-4 ST	532
3 Motor complete only for replacement (4.624-221.0)	534
1 Motor complete HD 7/16-4ST 60Hz	535
4 Cylinder head complete -H	537
8 Spare part set control piston (2.885-226.0)	539
20 Valve screw (4.483-002.0)	541
13 Spare part set air circulation (2.885-228.0)	543
100 Pump set HD 7/16-4 ST-H (2.885-317.0)	545
3 Spare part set air circulation (2.885-228.0)	547
4 Electric control box HD-ST 7/16 230V	549
12 Elbow screw connector R1" (6.391-867.0)	551
13 Circulation pump (4.540-133.0)	553
40 Triple jet nozzle TR 040 (4.117-033.0)	555
1 Triple jet nozzle TR 040	556
40 Triple jet nozzle only for replacement 0 (4.767-150.0)	558
1 Triple jet nozzle 040 (4.767-136.0)	559
41 EASY!Force Advanced (4.118-005.0)	561
9000 Spare part set lever (2.885-483.0)	563
41 Hand trigger gun (4.775-448.0)	565
9001 Lever complete (4.481-209.0)	567
100 Spare part set control piston (2.885-226.0)	569
31 Pump set complete HD 9/18-4 ST-H 220-240V 60Hz	571

Table of contents

1000 Spare parts list pump set complete HD 9/ (2.532-025.3)	572
1 Pump set HD 9/18-4 ST-H 60Hz	574
2 Thrust guidance complete	576
999 Piston complete (4.553-279.0)	578
3 Motor complete only for replacement (4.624-222.0)	580
1 Motor complete HD 9/18-4ST 60Hz	581
4 Cylinder head complete -H	583
906 Spare part set control piston (2.885-226.0)	585
100 Pump set HD 9/18 ST-H (2.885-318.0)	587
3 Spare part set air circulation (2.885-228.0)	589
4 Electric control box HD-ST 230V	591
12 Elbow screw connector R1" (6.391-867.0)	593
13 Circulation pump (4.540-133.0)	595
40 Triple jet nozzle TR 055 (4.117-039.0)	597
1 Triple jet nozzle TR 055	598
40 Triple jet nozzle 055 (4.767-066.0)	600
2 Spare parts list triple jet nozzle (5.970-000.0)	601
10 Triple jet nozzle	602
17 Nozzle holder 055 (4.764-159.0)	604
41 EASY!Force Advanced (4.118-005.0)	605
9000 Spare part set lever (2.885-483.0)	607
41 HAND TRIGGER GUN EASY PRESS (4.775-463.0)	609
9002 Lever complete (4.481-209.0)	611
100 Spare part set control piston (2.885-226.0)	613
32 Pump set complete HD 13/12-4 ST-H 220-240V 60Hz	615
1000 Spare parts list pump set complete HD 13 (2.532-029.3)	616
1 Pump set HD 13/12-4 ST-H 60Hz	618
2 Thrust guidance	620
999 Piston complete only for replacement (4.553-280.0)	622
3 Cylinder head complete -H	624
27 Overflow valve complete (4.591-063.0)	626
30 Spare part set control piston (2.885-226.0)	628
4 Motor complete only for replacement (4.624-224.0)	630
1 Motor complete HD 13/12-4ST 60Hz	631
100 Pump set HD 13/12-4 ST-H (2.885-319.0)	633
4 Electric control box HD-ST 230V	635
12 Elbow screw connector R1" (6.391-867.0)	637
13 Circulation pump (4.540-133.0)	639

Table of contents

40 Triple jet nozzle only for replacement 0 (4.767-205.0)	641
2 Spare parts list triple jet nozzle (5.970-837.0)	642
10 Triple jet nozzle plastics	643
20 Triple jet nozzle brass	645
41 EASY!Force Advanced (4.118-005.0)	647
9000 Spare part set lever (2.885-483.0)	649
41 HAND TRIGGER GUN EASY PRESS (4.775-463.0)	651
9002 Lever complete (4.481-209.0)	653
100 Spare part set control piston (2.885-226.0)	655
33 Pump set complete HD 7/16-4 ST 220-240V 60Hz	657
1000 Spare parts list pump set complete HD 7/ (2.532-028.3)	658
1 Pump set HD 7/16-4 ST 60Hz	660
2 Housing thrust guidance 10° HD 7/16-4 ST	662
3 Motor complete only for replacement (4.624-221.0)	664
1 Motor complete HD 7/16-4ST 60Hz	665
4 Cylinder head complete	667
7 Valve seat complete (4.481-226.0)	669
8 Spare part set control piston (2.885-226.0)	671
20 Valve screw (4.483-002.0)	673
13 Spare part set air circulation (2.885-228.0)	675
100 Pump set HD 7/16-4 ST-H (2.885-317.0)	677
3 Spare part set air circulation (2.885-228.0)	679
4 Electric control box HD-ST 7/16 230V	681
40 Triple jet nozzle TR 040 (4.117-033.0)	683
1 Triple jet nozzle TR 040	684
40 Triple jet nozzle only for replacement 0 (4.767-150.0)	686
1 Triple jet nozzle 040 (4.767-136.0)	687
41 EASY!Force Advanced (4.118-005.0)	689
9000 Spare part set lever (2.885-483.0)	691
41 HAND TRIGGER GUN EASY PRESS (4.775-463.0)	693
9002 Lever complete (4.481-209.0)	695
100 Spare part set control piston (2.885-226.0)	697
34 Pump set complete HD 9/18-4 ST 220-240V 60Hz	699
1000 Spare parts list pump set complete HD 9/ (2.532-026.3)	700
1 Pump set HD 9/18-4 ST 60Hz	702
2 Thrust guidance complete	704
10 Piston complete (4.553-279.0)	706
3 Motor complete only for replacement (4.624-222.0)	708

Table of contents

1 Motor complete HD 9/18-4ST 60Hz	709
4 Cylinder head complete HD 9/18-4 ST	711
906 Spare part set control piston (2.885-226.0)	714
11 Spare part set air circulation (2.885-228.0)	716
100 Pump set HD 9/18 ST-H (2.885-318.0)	718
3 Spare part set air circulation (2.885-228.0)	720
4 Electric control box HD-ST 230V	722
40 Triple jet nozzle TR 055 (4.117-039.0)	724
1 Triple jet nozzle TR 055	725
40 Triple jet nozzle 055 (4.767-066.0)	727
2 Spare parts list triple jet nozzle (5.970-000.0)	728
10 Triple jet nozzle	729
17 Nozzle holder 055 (4.764-159.0)	731
41 EASY!Force Advanced (4.118-005.0)	732
9000 Spare part set lever (2.885-483.0)	734
41 HAND TRIGGER GUN EASY PRESS (4.775-463.0)	736
9002 Lever complete (4.481-209.0)	738
100 Spare part set control piston (2.885-226.0)	740
35 Pump set complete HD 13/12-4 ST 220-240V 60Hz	742
1000 Spare parts list pump set complete HD 13 (2.532-030.3)	743
1 Pump set HD 13/12-4 ST 60Hz	745
2 Thrust guidance complete	747
999 Piston complete only for replacement (4.553-280.0)	749
3 Cylinder head complete	751
27 Overflow valve complete	753
30 Spare part set control piston (2.885-226.0)	755
4 Motor complete only for replacement (4.624-224.0)	757
1 Motor complete HD 13/12-4ST 60Hz	758
100 Pump set HD 13/12-4 ST-H (2.885-319.0)	760
4 Electric control box HD-ST 230V	762
40 Triple jet nozzle only for replacement 0 (4.767-205.0)	764
2 Spare parts list triple jet nozzle (5.970-837.0)	765
10 Triple jet nozzle plastics	766
20 Triple jet nozzle brass	768
41 EASY!Force Advanced (4.118-005.0)	770
9000 Spare part set lever (2.885-483.0)	772
41 HAND TRIGGER GUN EASY PRESS (4.775-463.0)	774
9002 Lever complete (4.481-209.0)	776

Table of contents

100 Spare part set control piston (2.885-226.0)	778
40 Pump set complete HD 7/16-4 ST-H 380-440V 60Hz	780
1000 Spare parts list pump set complete HD 7/ (2.532-002.3)	781
1 Pump set HD 7/16-4 ST-H 60Hz	783
2 Housing thrust guidance 10° HD 7/16-4 ST	785
3 Motor complete only for replacement (4.624-221.0)	787
1 Motor complete HD 7/16-4ST 60Hz	788
4 Cylinder head complete -H	790
8 Spare part set control piston (2.885-226.0)	792
20 Valve screw (4.483-002.0)	794
13 Spare part set air circulation (2.885-228.0)	796
100 Pump set HD 7/16-4 ST-H (2.885-317.0)	798
3 Spare part set air circulation (2.885-228.0)	800
4 Electric control box HD 7/16-4 ST 400V	802
12 Elbow screw connector R1" (6.391-867.0)	804
13 Circulation pump (4.540-133.0)	806
40 Triple jet nozzle TR 040 (4.117-033.0)	808
1 Triple jet nozzle TR 040	809
40 Triple jet nozzle only for replacement 0 (4.767-150.0)	811
1 Triple jet nozzle 040 (4.767-136.0)	812
41 EASY!Force Advanced (4.118-005.0)	814
9000 Spare part set lever (2.885-483.0)	816
41 HAND TRIGGER GUN EASY PRESS (4.775-463.0)	818
9002 Lever complete (4.481-209.0)	820
100 Spare part set control piston (2.885-226.0)	822
41 Pump set complete HD 9/18-4 ST-H 380-440V 60Hz	824
1000 Spare parts list pump set complete HD 9/18-4 ST-H 380-440V 60Hz (2.532-005.3)	825
1 Pump set HD 9/18-4 ST-H 60Hz	827
2 Thrust guidance complete	829
999 Piston complete (4.553-279.0)	831
3 Motor complete only for replacement (4.624-222.0)	833
1 Motor complete HD 9/18-4ST 60Hz	834
4 Cylinder head complete -H	836
906 Spare part set control piston (2.885-226.0)	838
100 Pump set HD 9/18 ST-H (2.885-318.0)	840
3 Spare part set air circulation (2.885-228.0)	842
4 Electric control box HD-ST 400V	844
12 Elbow screw connector R1" (6.391-867.0)	846

Table of contents

13 Circulation pump (4.540-133.0)	848
40 Triple jet nozzle TR 055 (4.117-039.0)	850
1 Triple jet nozzle TR 055	851
40 Triple jet nozzle 055 (4.767-066.0)	853
2 Spare parts list triple jet nozzle (5.970-000.0)	854
10 Triple jet nozzle	855
17 Nozzle holder 055 (4.764-159.0)	857
41 EASY!Force Advanced (4.118-005.0)	858
9000 Spare part set lever (2.885-483.0)	860
41 HAND TRIGGER GUN EASY PRESS (4.775-463.0)	862
9002 Lever complete (4.481-209.0)	864
100 Spare part set control piston (2.885-226.0)	866
42 Pump set complete HD 13/12-4 ST-H 380-440V 60Hz	868
1000 Spare parts list pump set complete HD 13 (2.532-008.3)	869
1 Pump set HD 13/12-4 ST-H 60Hz	871
2 Thrust guidance	873
999 Piston complete only for replacement (4.553-280.0)	875
3 Cylinder head complete -H	877
27 Overflow valve complete (4.591-063.0)	879
30 Spare part set control piston (2.885-226.0)	881
4 Motor complete only for replacement (4.624-224.0)	883
1 Motor complete HD 13/12-4ST 60Hz	884
100 Pump set HD 13/12-4 ST-H (2.885-319.0)	886
4 Electric control box HD-ST 400V	888
12 Elbow screw connector R1" (6.391-867.0)	890
13 Circulation pump (4.540-133.0)	892
40 Triple jet nozzle only for replacement 0 (4.767-205.0)	894
2 Spare parts list triple jet nozzle (5.970-837.0)	895
10 Triple jet nozzle plastics	896
20 Triple jet nozzle brass	898
41 EASY!Force Advanced (4.118-005.0)	900
9000 Spare part set lever (2.885-483.0)	902
41 HAND TRIGGER GUN EASY PRESS (4.775-463.0)	904
9002 Lever complete (4.481-209.0)	906
100 Spare part set control piston (2.885-226.0)	908
43 Pump set complete HD 7/16-4 ST 380-440V 60Hz	910
1000 Spare parts list pump set complete HD 7/ (2.532-011.3)	911
1 Pump set HD 7/16-4 ST 60Hz	913

Table of contents

2 Housing thrust guidance 10° HD 7/16-4 ST	915
3 Motor complete only for replacement (4.624-221.0)	917
1 Motor complete HD 7/16-4ST 60Hz	918
4 Cylinder head complete	920
7 Valve seat complete (4.481-226.0)	922
8 Spare part set control piston (2.885-226.0)	924
20 Valve screw (4.483-002.0)	926
13 Spare part set air circulation (2.885-228.0)	928
100 Pump set HD 7/16-4 ST-H (2.885-317.0)	930
3 Spare part set air circulation (2.885-228.0)	932
4 Electric control box HD 7/16-4 ST 400V	934
40 Triple jet nozzle TR 040 (4.117-033.0)	936
1 Triple jet nozzle TR 040	937
40 Triple jet nozzle only for replacement 0 (4.767-150.0)	939
1 Triple jet nozzle 040 (4.767-136.0)	940
41 EASY!Force Advanced (4.118-005.0)	942
9000 Spare part set lever (2.885-483.0)	944
41 HAND TRIGGER GUN EASY PRESS (4.775-463.0)	946
9002 Lever complete (4.481-209.0)	948
100 Spare part set control piston (2.885-226.0)	950
44 Pump set complete HD 9/18-4 ST 380-440V 60Hz	952
1000 Spare parts list pump set complete HD 9/ (2.532-014.3)	953
1 Pump set HD 9/18-4 ST 60Hz	955
2 Thrust guidance complete	957
10 Piston complete (4.553-279.0)	959
3 Motor complete only for replacement (4.624-222.0)	961
1 Motor complete HD 9/18-4ST 60Hz	962
4 Cylinder head complete HD 9/18-4 ST	964
906 Spare part set control piston (2.885-226.0)	967
11 Spare part set air circulation (2.885-228.0)	969
100 Pump set HD 9/18 ST-H (2.885-318.0)	971
3 Spare part set air circulation (2.885-228.0)	973
4 Electric control box HD-ST 400V	975
40 Triple jet nozzle TR 055 (4.117-039.0)	977
1 Triple jet nozzle TR 055	978
40 Triple jet nozzle 055 (4.767-066.0)	980
2 Spare parts list triple jet nozzle (5.970-000.0)	981
10 Triple jet nozzle	982

Table of contents

17 Nozzle holder 055 (4.764-159.0)	984
41 EASY!Force Advanced (4.118-005.0)	985
9000 Spare part set lever (2.885-483.0)	987
41 HAND TRIGGER GUN EASY PRESS (4.775-463.0)	989
9002 Lever complete (4.481-209.0)	991
100 Spare part set control piston (2.885-226.0)	993
45 Pump set complete HD 13/12-4 ST 380-440V 60Hz	995
1000 Spare parts list pump set complete HD 13 (2.532-017.3)	996
1 Pump set HD 13/12-4 ST 60Hz	998
2 Thrust guidance complete	1000
999 Piston complete only for replacement (4.553-280.0)	1002
3 Cylinder head complete	1004
27 Overflow valve complete	1006
30 Spare part set control piston (2.885-226.0)	1008
4 Motor complete only for replacement (4.624-224.0)	1010
1 Motor complete HD 13/12-4ST 60Hz	1011
100 Pump set HD 13/12-4 ST-H (2.885-319.0)	1013
4 Electric control box HD-ST 400V	1015
40 Triple jet nozzle only for replacement 0 (4.767-205.0)	1017
2 Spare parts list triple jet nozzle (5.970-837.0)	1018
10 Triple jet nozzle plastics	1019
20 Triple jet nozzle brass	1021
41 EASY!Force Advanced (4.118-005.0)	1023
9000 Spare part set lever (2.885-483.0)	1025
41 HAND TRIGGER GUN EASY PRESS (4.775-463.0)	1027
9002 Lever complete (4.481-209.0)	1029
100 Spare part set control piston (2.885-226.0)	1031
200 Housing complete stainless steel	1033
50 Spare parts list housing stainless steel (2.209-770.3)	1034
210 Housing complete	1037
50 Spare parts list housing complete (2.209-769.3)	1038
300 Parts without pressure discharge	1041
10 Spare parts list without pressure discharge (2.209-772.3)	1042
310 Parts pressure discharge	1044
30 Spare parts list parts pressure discharge (2.209-773.3)	1045
320 Float tank	1047
31 Spare parts list float tank (2.209-775.3)	1048
1 Float tank (4.593-026.0)	1050

Table of contents

330 Float tank	1052
1 Spare parts list float tank (2.209-774.3)	1053
1 Float tank (4.593-025.0)	1055
340 Parts without water softener	1057
1 Spare parts list without water softener (2.209-776.3)	1058
350 DGT (2.209-777.0)	1060
1 DGT	1061
1 Spare parts list DGT (2.209-777.3)	1062
360 Hour counter (2.209-778.0)	1064
1 Spare parts list hour counter (2.209-778.3)	1065
361 Parts without hour counter	1066
10 Spare parts list without hour counter (2.209-789.3)	1067
370 Parts without remote control	1069
10 Spare parts list without remote control (2.209-781.3)	1070
400 Add-on kit cleaning agents single (2.209-779.0)	1072
1 Spare parts list add-on kit cleaning age (2.209-779.3)	1073
1 Add-on kit cleaning agents single	1074
5 Solenoid valve complete (4.070-830.0)	1076
15 Pilot lamp complete (4.070-833.0)	1078
17 Level probe (4.747-101.0)	1079
410 Add-on kit cleaning agents double (2.209-780.0)	1080
1 Spare parts list add-on kit cleaning age (2.209-780.3)	1081
1 Remote control prearrangement double RM	1082
8 Solenoid valve complete (4.070-830.0)	1084
15 Pilot lamp complete (4.070-833.0)	1086
17 Level probe (4.747-101.0)	1087
2 Add-on kit cleaning agents single	1088
5 Solenoid valve complete (4.070-830.0)	1090
15 Pilot lamp complete (4.070-833.0)	1092
17 Level probe (4.747-101.0)	1093
415 Add-on kit cleaning agents double HD (2.209-800.0)	1094
30 Spare parts list add-on kit cleaning age (2.209-800.3)	1095
15 Pilot lamp complete (4.070-833.0)	1098
17 Level probe (4.747-101.0)	1099
901 Vibrating piston pump version 1	1100
902 Vibrating piston pump version 2	1102
40 Spare parts list add-on kit cleaning age (2.209-799.3)	1104
15 Pilot lamp complete (4.070-833.0)	1107

Table of contents

17 Level probe (4.747-101.0)	1108
901 Vibrating piston pump version 1	1109
902 Vibrating piston pump version 2	1111
416 Add-on kit cleaning agents hose stem 10/	1113
10 Add-on kit cleaning agents hose stem 10/7 1.5	1115
10 Spare parts list add-on kit cleaning age (2.209-801.3)	1116
20 Add-on kit cleaning agents hose stem 10/7 2.0	1118
10 Spare parts list add-on kit cleaning age (2.209-802.3)	1119
30 Add-on kit cleaning agents hose stem 10/7 5.0	1121
10 Spare parts list add-on kit cleaning age (2.209-803.3)	1122
420 Parts with socket	1124
10 Spare parts list parts socket (2.209-808.3)	1125
600 Fixing pump set 7/16 VA	1127
1 Spare parts list fixing pump set 7/16 VA (2.209-782.3)	1128
610 Fixing pump set 7/16	1130
1 Spare parts list fixing pump set 7/16 (2.209-783.3)	1131
620 Fixing pump set 9/18 VA	1133
1 Spare parts list fixing pump set 9/18 VA (2.209-784.3)	1134
621 Fixing pump set 9/18	1136
1 Spare parts list fixing pump set 9/18 (2.209-785.3)	1137
630 Fixing pump set 13/12 VA	1139
1 Spare parts list fixing pump set 13/12 V (2.209-786.3)	1140
631 Fixing pump set 13/12	1142
1 Spare parts list fixing pump set 13/12 (2.209-787.3)	1143

HD stationary (1.524-500.2)

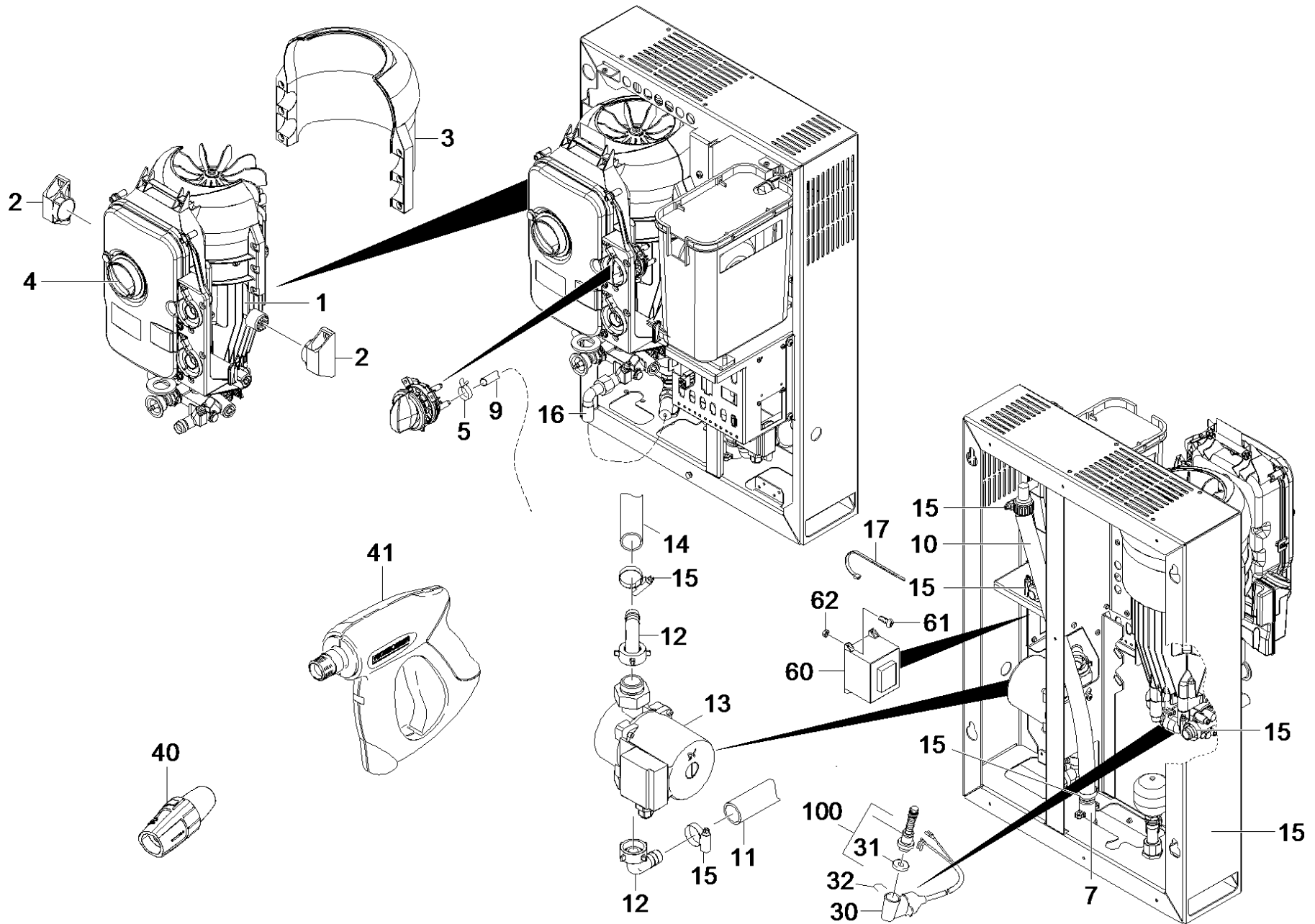
POS	Article no.	Description	Quantity	Unit
10		Pump set complete HD 7/16-4 ST-H 400V	1	ST
11		Pump set complete HD 9/18-4 ST-H 400V	1	ST
12		Pump set complete HD 13/12-4 ST-H 400V	1	ST
13		Pump set complete HD 7/16-4 ST 400V	1	ST
14		Pump set complete HD 9/18-4 ST 400V	1	ST
15		Pump set complete HD 13/12-4 ST 400V	1	ST
20		Pump set complete HD 7/16-4 ST-H 230V	1	ST
21		Pump set complete HD 9/18-4 ST-H 230V	1	ST
22		Pump set complete HD 13/12-4 ST-H 230V	1	ST
23		Pump set complete HD 7/16-4 ST 230V	1	ST
24		Pump set complete HD 9/18-4 ST 230V	1	ST
25		Pump set complete HD 13/12-4 ST 230V	1	ST
30		Pump set complete HD 7/16-4 ST-H 220-240V 60Hz	1	ST
31		Pump set complete HD 9/18-4 ST-H 220-240V 60Hz	1	ST
32		Pump set complete HD 13/12-4 ST-H 220-240V 60Hz	1	ST
33		Pump set complete HD 7/16-4 ST 220-240V 60Hz	1	ST
34		Pump set complete HD 9/18-4 ST 220-240V 60Hz	1	ST
35		Pump set complete HD 13/12-4 ST 220-240V 60Hz	1	ST
40		Pump set complete HD 7/16-4 ST-H 380-440V 60Hz	1	ST
41		Pump set complete HD 9/18-4 ST-H 380-440V 60Hz	1	ST
42		Pump set complete HD 13/12-4 ST-H 380-440V 60Hz	1	ST
43		Pump set complete HD 7/16-4 ST 380-440V 60Hz	1	ST
44		Pump set complete HD 9/18-4 ST 380-440V 60Hz	1	ST
45		Pump set complete HD 13/12-4 ST 380-440V 60Hz	1	ST
200		Housing complete stainless steel	1	ST
210		Housing complete	1	ST
300		Parts without pressure discharge	1	ST
310		Parts pressure discharge	1	ST
320		Float tank	1	ST
330		Float tank	1	ST
340		Parts without water softener	1	ST
350	2.209-777.0	DGT	1	ST
360	2.209-778.0	Hour counter	1	ST

HD stationary (1.524-500.2)

POS	Article no.	Description	Quantity	Unit
361		Parts without hour counter	1	ST
370		Parts without remote control	1	ST
400	2.209-779.0	Add-on kit cleaning agents single	1	ST
410	2.209-780.0	Add-on kit cleaning agents double	1	ST
415	2.209-800.0	Add-on kit cleaning agents double HD	1	ST
416		Add-on kit cleaning agents hose stem 10/	1	ST
419		Cable harness add-on kit	1	ST
420		Parts with socket	1	ST
600		Fixing pump set 7/16 VA	1	ST
610		Fixing pump set 7/16	1	ST
620		Fixing pump set 9/18 VA	1	ST
621		Fixing pump set 9/18	1	ST
630		Fixing pump set 13/12 VA	1	ST
631		Fixing pump set 13/12	1	ST

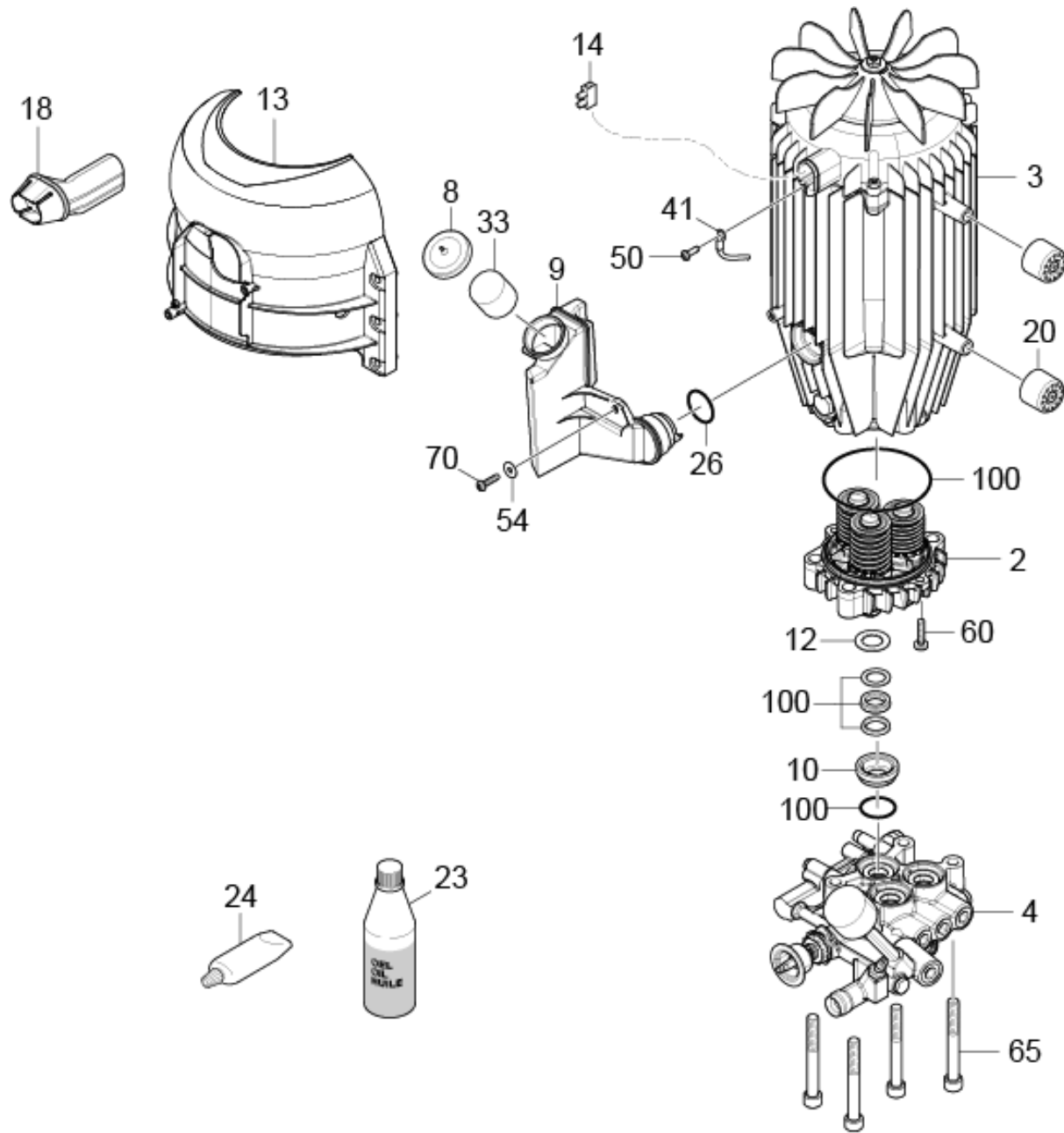
10 Pump set complete HD 7/16-4 ST-H 400V

POS	Article no.	Description	Quantity	Unit
10	2.532-001.3	Spare parts list pump set complete HD 7/	1	ST



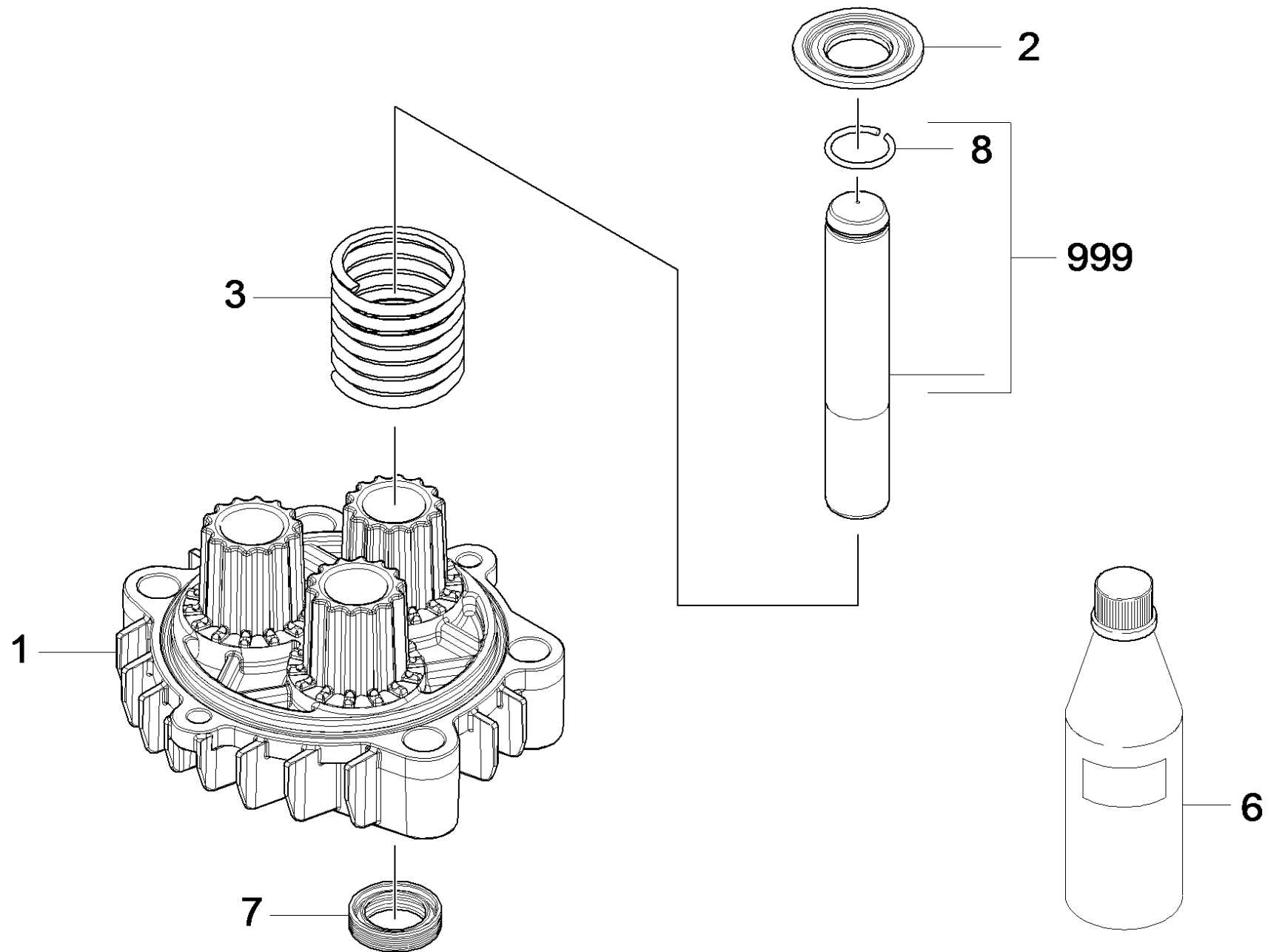
10 Spare parts list pump set complete HD 7/ (2.532-001.3)

POS	Article no.	Description	Quantity	Unit	Remark
1		Pump set HD 7/16-4 ST-H 400V	1	ST	
2	5.044-891.0	Holder	2	ST	
3	2.885-228.0	Spare part set air circulation	1	ST	
4		Electric control box HD 7/16-4 ST 400V	1	ST	
5	6.390-133.0	Hose clip	2	ST	
7	5.427-432.0	Manifold	1	ST	
9	6.388-247.0	Hose DN8 -PVC	0,44	M	
10	6.388-719.0	Hose DN17	0,57	M	
11	5.443-628.0	Hose	1	ST	
12	6.391-867.0	Elbow screw connector R1"	2	ST	
13	4.540-133.0	Circulation pump	1	ST	
14	6.388-293.0	Elbow hose	1	ST	
15	7.373-022.0	Hose clip A-16-27x9 -W2-2 DIN3017	6	ST	
16	6.392-198.0	Hose assembly DN8 40MPa 0,46m	1	ST	
17	6.641-465.0	Cable tape	1	ST	
30	4.744-242.0	Switch kpl. -nur für Ersatz-	1	ST	
31	5.367-030.0	Diaphragm	1	ST	
32	5.034-494.0	Retaining bracket	1	ST	
40	4.117-035.0	Triple jet nozzle TR 043	1	ST	1.524-950.2
40	4.767-152.0	Triple jet nozzle only for replacement 0	1	ST	1.524-500.2
41	4.118-005.0	EASY!Force Advanced	1	ST	1.524-950.2
41	4.775-448.0	Hand trigger gun	1	ST	1.524-500.2
60	6.622-332.0	Control transformer 96VA - EI78/40,5 380	1	ST	
61	7.306-058.0	Screw M 4X 12- 8.8-R2R K-IN6RD	4	ST	
62	7.311-569.0	Square nut M4 -04-A2E DIN 562	4	ST	
100	2.885-226.0	Spare part set control piston	1	ST	



1 Pump set HD 7/16-4 ST-H 400V

POS	Article no.	Description	Quantity	Unit
2		Housing thrust guidance HD 7/16-4 ST-H	1	ST
3	4.624-076.0	Motor complete only for replacement HD 7	1	ST
4		Cylinder head complete -H	1	ST
8	5.064-457.0	Cover plate qusty grey oil	1	ST
9	5.070-831.0	Tank oil	1	ST
10	5.112-885.0	Bush	3	ST
12	5.115-432.0	Washer	3	ST
13	2.885-228.0	Spare part set air circulation	1	ST
14	6.643-151.0	Strip terminal one-pole 16mm ²	1	ZST
18	5.365-341.0	Profile gasket long	1	ST
20	5.767-005.0	Rubber buffer	4	ST
23	6.288-016.0	Gear oil 1L	1	ST
24	6.288-044.0	Silicon grease 100 G	1	ST
26	6.363-499.0	O-Ring seal 28,0x3,0	1	ST
33	5.132-187.0	Plug	1	ST
41	4.820-578.0	Cable green/yellow 1,5mm ² x450mm	1	ST
50	7.303-031.0	Screw M4x10 -St-P2R (In6Rd)	1	ST
54	7.312-282.0	Washer 5 -A2 ISO 7093-1	1	ST
60	7.306-094.0	Screw M6x25 -8.8-R3R (In6Rd)	2	ST
65	7.306-807.0	Cylinder head screw M10x85-8.8-A3E ISO4	4	ST
70	6.303-320.0	Screw M 5x 20-St-R2R	1	ST
100	2.885-317.0	Pump set HD 7/16-4 ST-H	1	ST

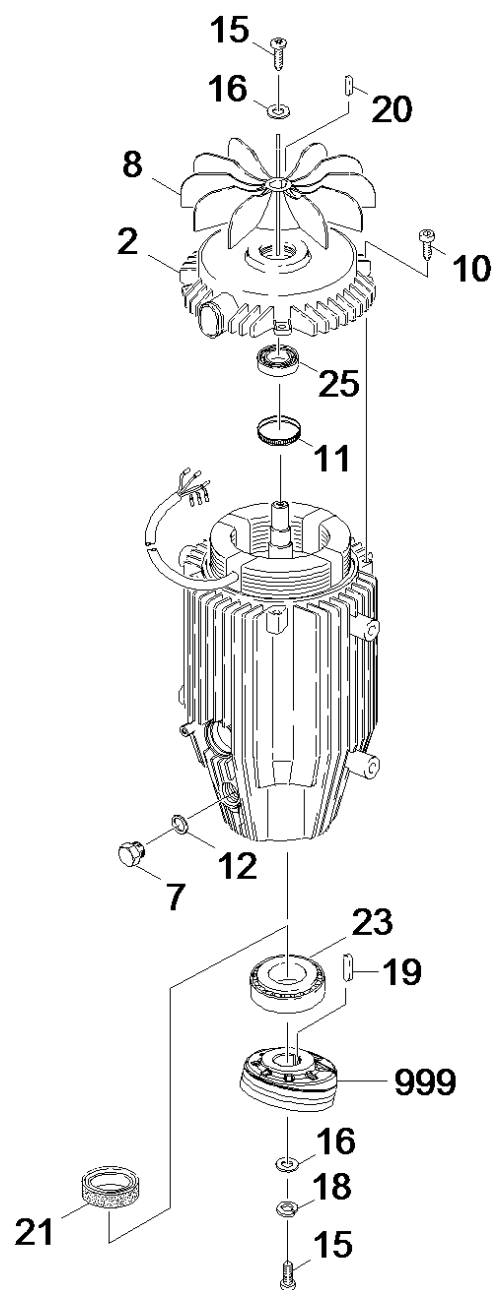


2 Housing thrust guidance HD 7/16-4 ST-H

POS	Article no.	Description	Quantity	Unit
1	4.061-017.0	Housing -nur für Ersatz-	1	ST
2	5.116-134.0	Washer	3	ST
3	5.333-027.0	Helical spring	3	ST
6	6.288-016.0	Gear oil 1L	1	ST
7		Part at pump set	1	ST
8	7.343-473.0	Snap ring 18 -FST DIN 9925	3	ST
999	4.553-284.0	Spare part set piston complete	3	ST

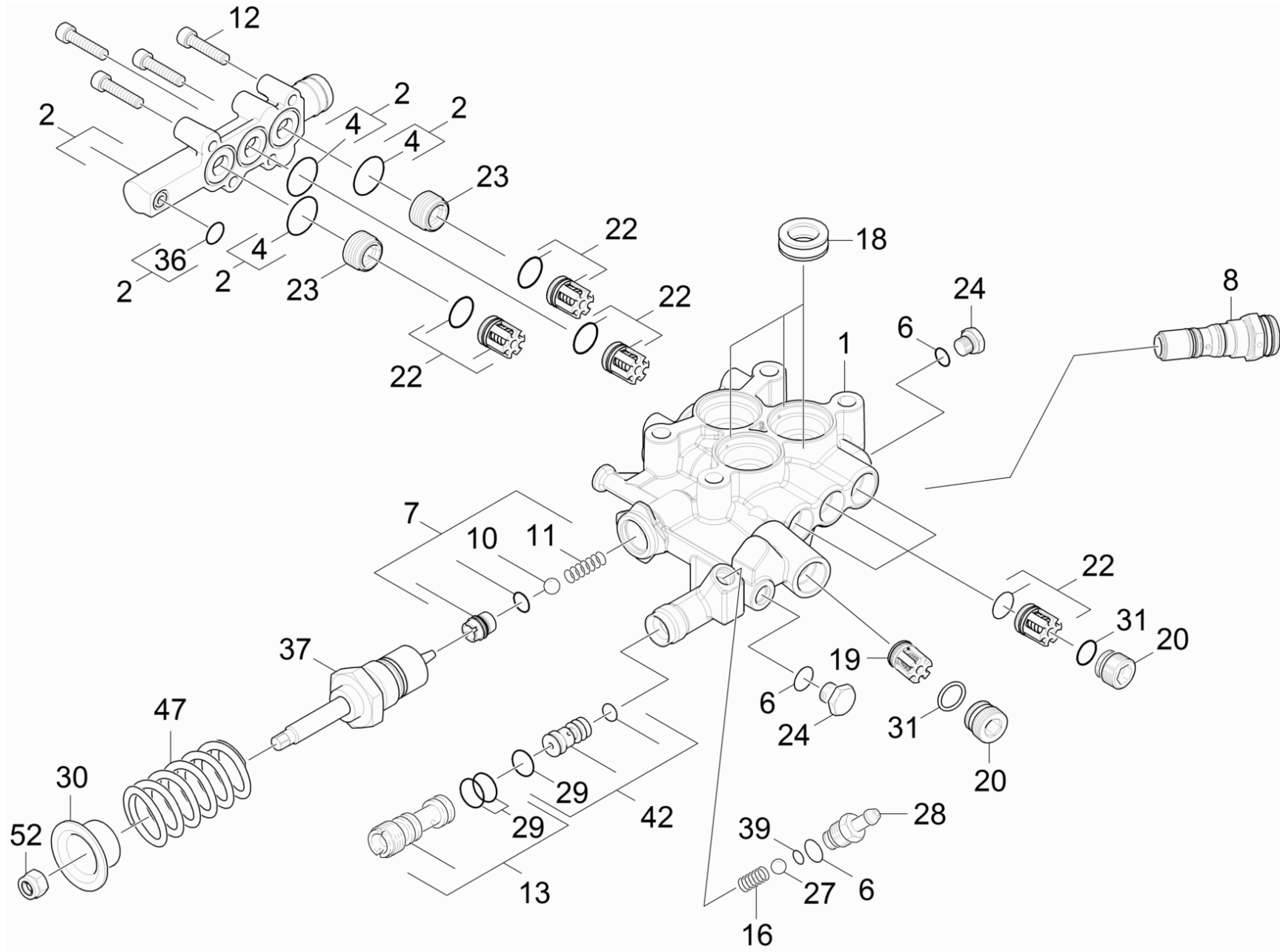
3 Motor complete only for replacement HD 7 (4.624-076.0)

POS	Description	Quantity	Unit
1	Motor complete HD 7/16-4ST 400V	1	ST



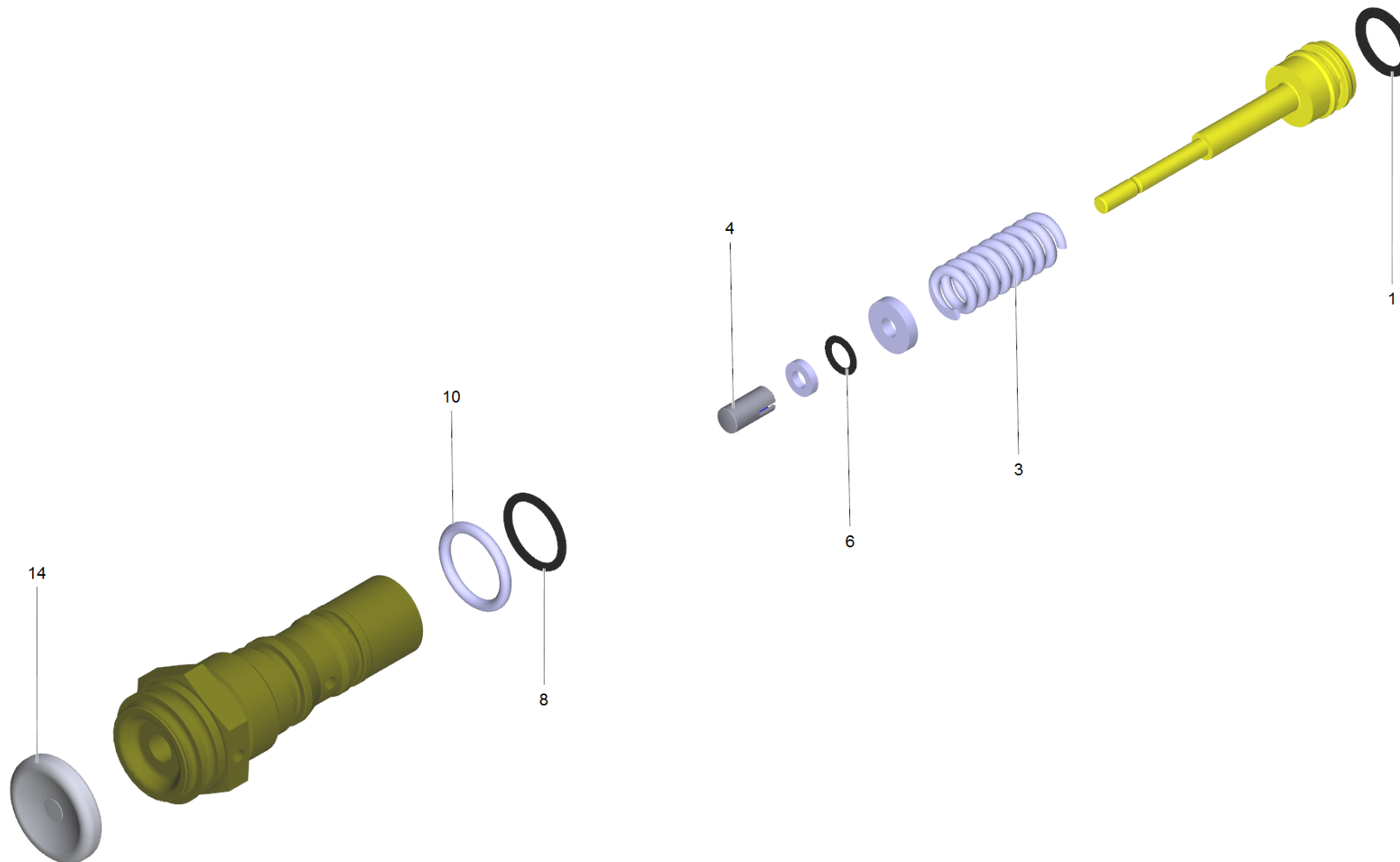
1 Motor complete HD 7/16-4ST 400V

POS	Article no.	Description	Quantity	Unit
2	5.063-707.0	Bearing cover B	1	ST
7	5.411-100.0	Screw plug	1	ST
8	5.600-046.0	Blower wheel	1	ST
10	6.303-265.0	Self-tapping screw M6x20	4	ST
11	6.343-171.0	Tolerance ring	1	ST
12	6.363-498.0	O-Ring seal 11,0x2,0 HNBR	1	ST
15	7.306-092.0	Screw M6x20-ST- 8.8-R3R (IN6RD)	2	ST
16	7.312-260.0	Washer 6 -100HV-A3E ISO 7094	2	ST
18	7.313-003.0	Spring washer B 6-FSt-A3E DIN 127	1	ST
19	7.318-070.0	Parallel key 5x5x20-C45K DIN 6885-1	1	ST
20	7.318-079.0	Parallel key A 5x5x25-C45K DIN 6885	1	ST
21	7.367-021.0	Radial shaft seal ring A30x40x7 -FKM DI	1	ST
23	6.401-399.0	Taper roller bearing	1	ST
25	6.401-285.0	Ball bearing 6204 2RS	1	ST
999	4.120-215.0	Wobble plate	1	ST



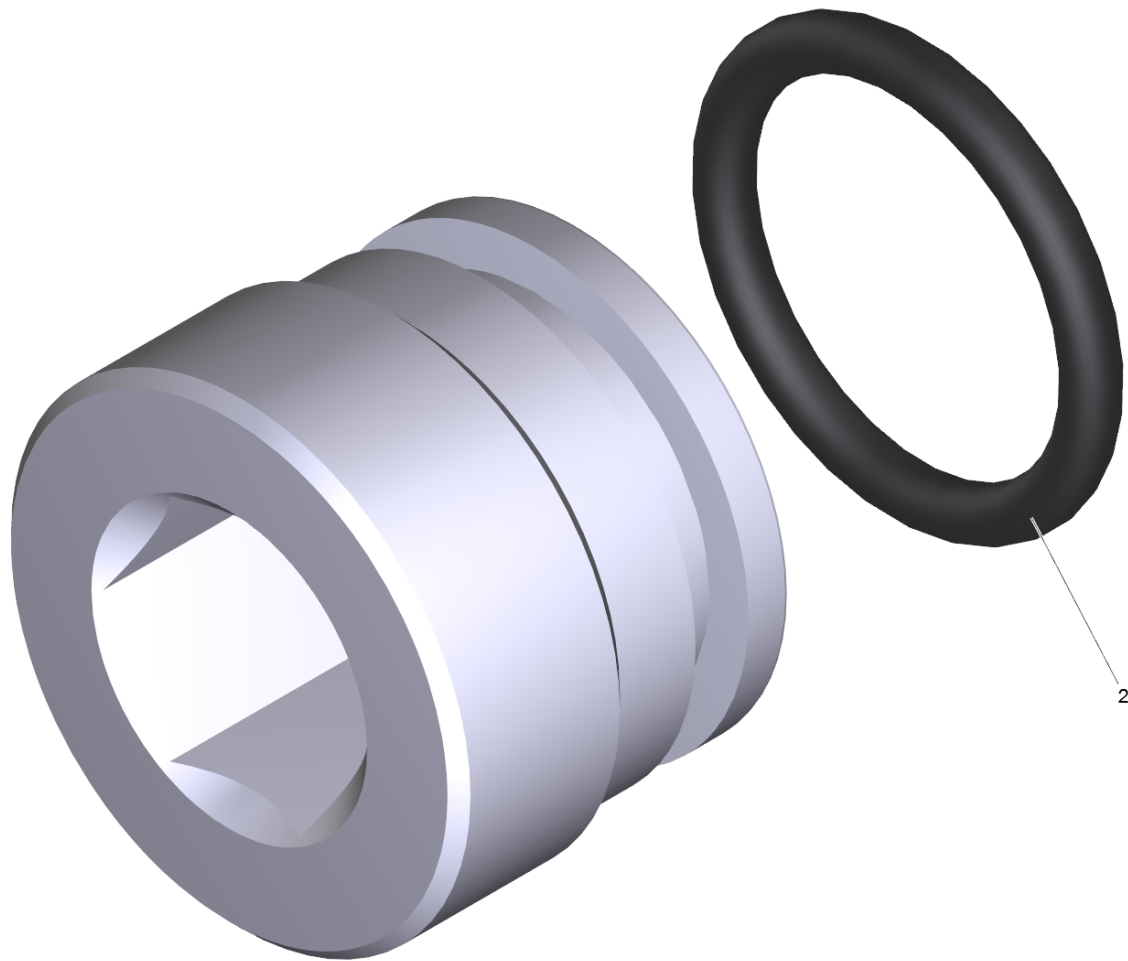
4 Cylinder head complete -H

POS	Article no.	Description	Quantity	Unit
1	4.550-976.0	Spare part set cylinder head HD	1	ST
2	4.064-023.0	Suction cover complete only for replacem	1	ST
4		Part at pump set	1	ST
6		Part at pump set	1	ST
7	4.481-256.0	Valve seat complete	1	ST
8	2.885-226.0	Spare part set control piston	1	ST
10	7.401-907.0	Sphere 3/8 G200-1.4301 DIN 5401	1	ST
11	5.332-999.0	Helical spring	1	ST
12	7.306-024.0	Cylinder head screw M6x30 -8.8-A2E ISO4762	4	ST
13	4.769-059.0	Nozzle insert complete	1	ST
16	5.332-258.0	Helical spring	1	ST
17	5.115-999.0	Washer	1	ST
18		Part at pump set	1	ST
19		Part at pump set	1	ST
20	4.483-002.0	Valve screw	4	ST
22		Part at pump set	1	ST
23	5.583-177.0	Valve screw M20x1	2	ST
24	5.411-070.0	Screw plug	2	ST
27	7.401-908.0	Sphere 7 G300 -1.4301 DIN 5401	1	ST
28	5.443-370.0	Nipple	1	ST
29	6.363-331.0	O-Ring seal 9,0 x 1,5	3	ST
30	5.112-757.0	Bush	1	ST
31		Part at pump set	1	ST
36		Part at pump set	1	ST
37	2.885-227.0	Spare part set overflow valve	1	ST
39	6.363-489.0	O-Ring seal 5,28x1,78	1	ST
42	2.885-230.0	Spare part set nozzle insert only for re	1	ST
47	5.332-530.0	Helical spring	1	ST
52	7.311-510.0	Hexagon nut M 8-8-A2E ISO 7040	1	ST



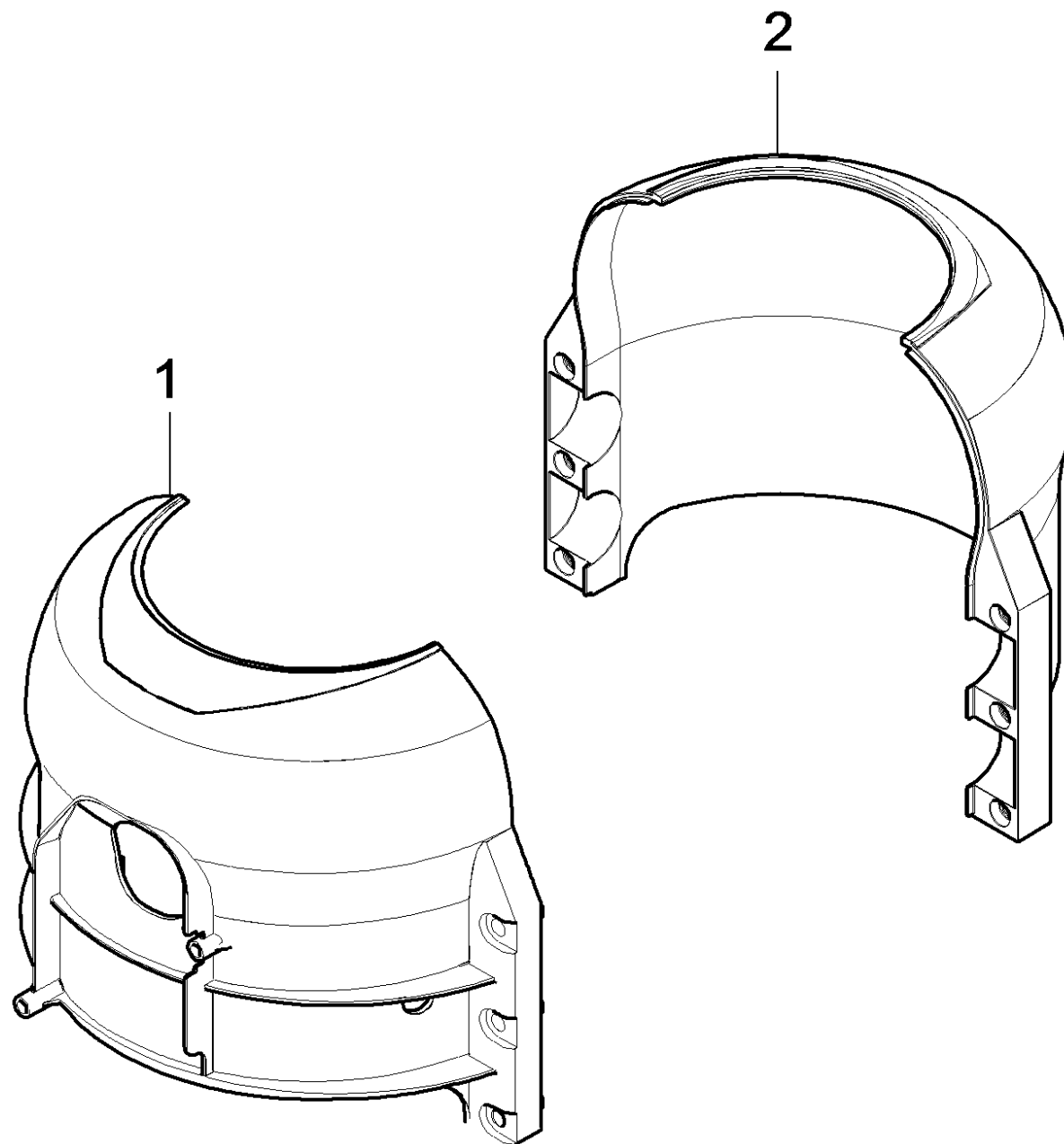
8 Spare part set control piston (2.885-226.0)

POS	Article no.	Description	Quantity	Unit
1	6.363-350.0	O-Ring seal 8.74x1.78	1	ST
3	5.332-511.0	Helical spring	1	ST
4	5.110-947.0	Sleeve	1	ST
6	6.363-330.0	O-Ring seal 2,9 x 1,78	1	ST
8	6.363-452.0	O-Ring seal 11 x 1,5	1	ST
10	6.363-519.0	O-Ring seal 12,00x 2,00	1	ST
14	5.367-030.0	Diaphragm	1	ST



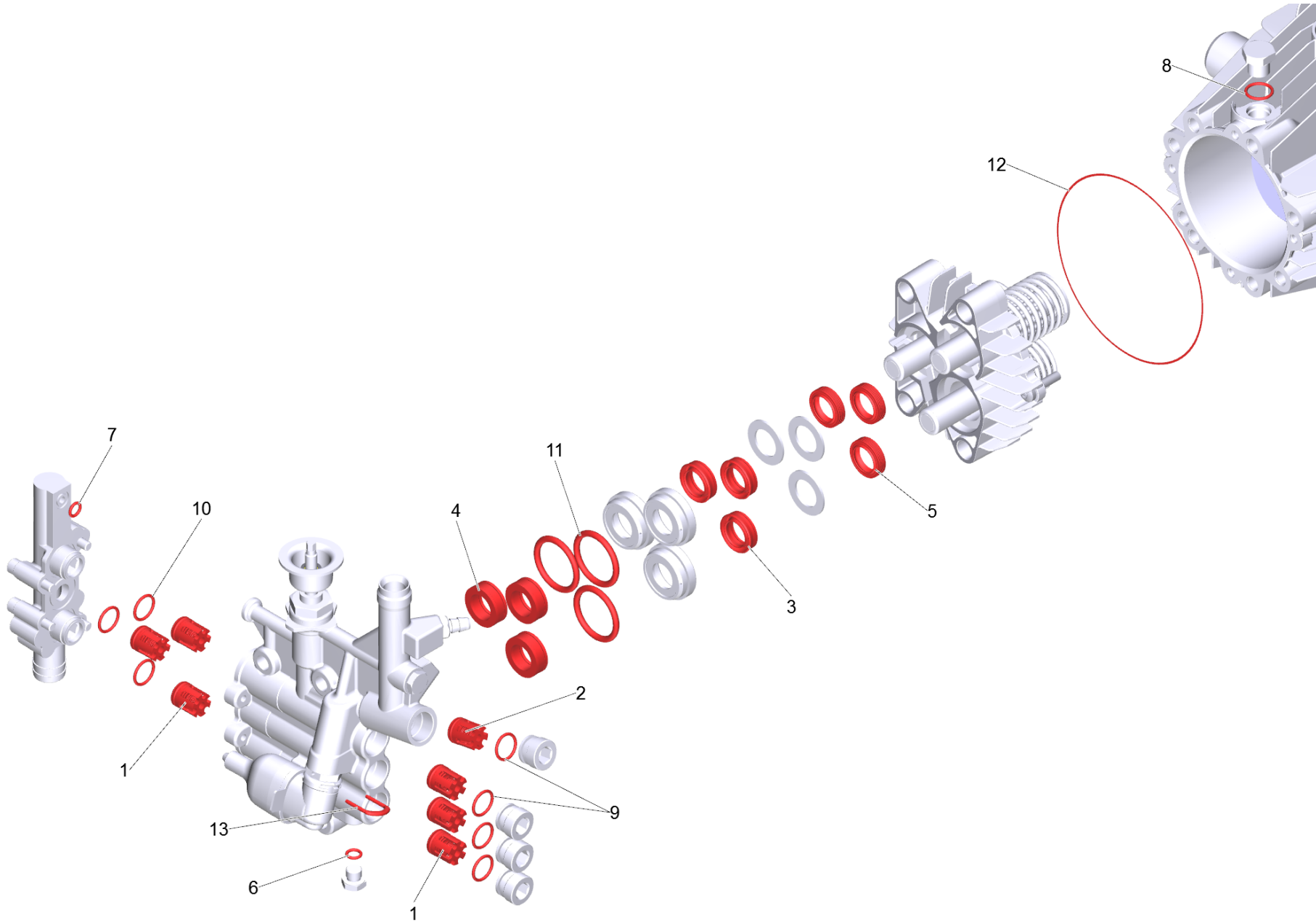
20 Valve screw (4.483-002.0)

POS	Article no.	Description	Quantity	Unit
2	6.363-459.0	O-Ring seal 14 x 2	1	ST



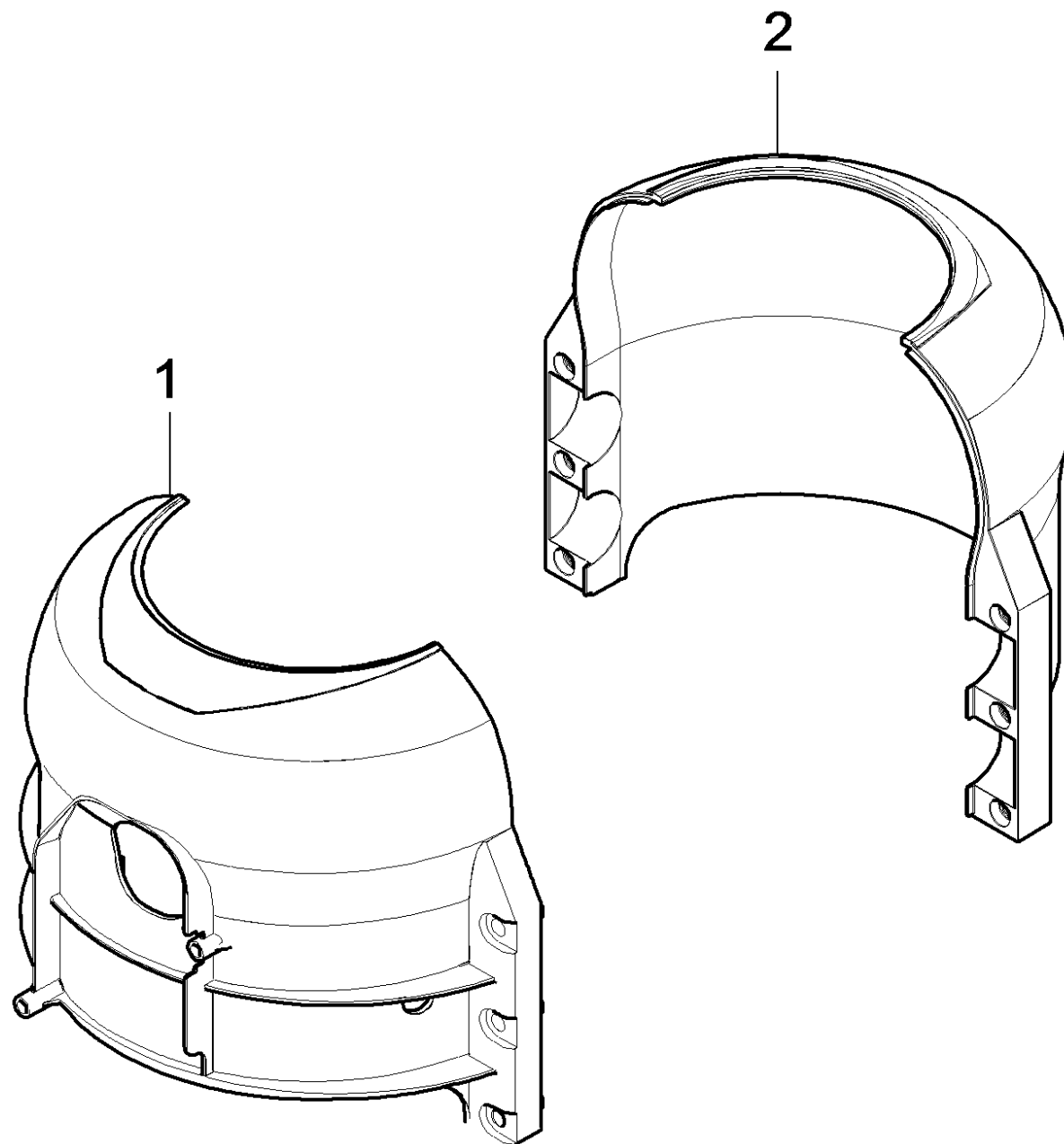
13 Spare part set air circulation (2.885-228.0)

POS	Description	Quantity	Unit
1	Air circulation front	1	ST
2	Air circulation rear	1	ST



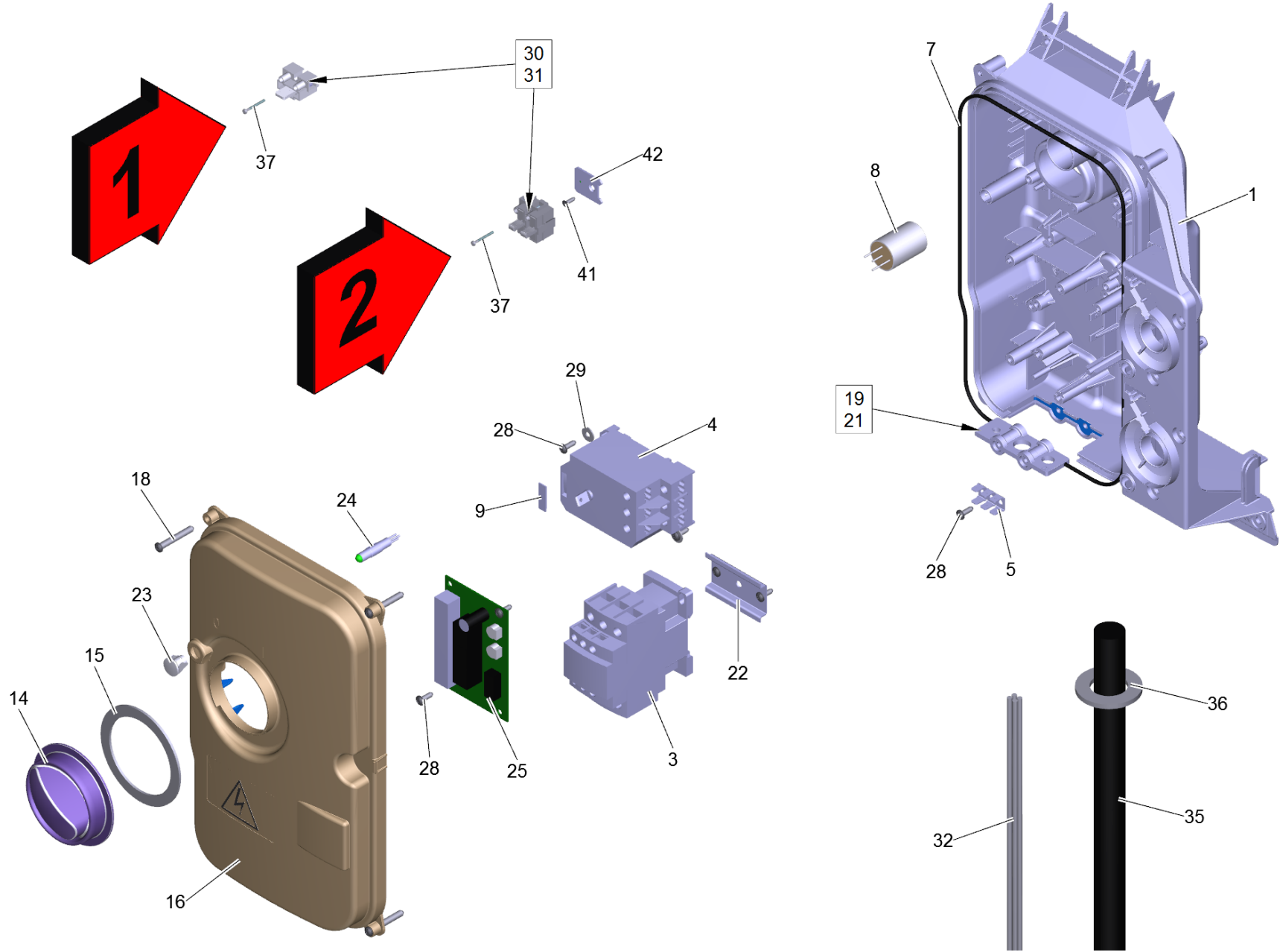
100 Pump set HD 7/16-4 ST-H (2.885-317.0)

POS	Article no.	Description	Quantity	Unit
1	2.885-139.0	Valve (3Stueck)	2	ST
2	4.580-734.0	Valve complete	1	ST
3	2.885-432.0	Set of gaskets ND PTFE (3x)	1	ST
4	2.885-237.0	Set of gaskets high pressure W1 (3 Stuec	1	ST
5	6.365-560.0	Grooved ring 18x26x7/6	3	ST
6	6.363-496.0	O-Ring seal 7,0x2,0	3	ST
7	6.363-492.0	O-Ring seal 8,0x1,5	1	ST
8	6.363-498.0	O-Ring seal 11,0x2,0 HNBR	1	ST
9	6.363-459.0	O-Ring seal 14 x 2	3	ST
10	6.363-494.0	O-Ring seal 20,0x1,5	3	ST
11	6.363-462.0	O-Ring seal 33,05 x 1,78	3	ST
12	6.363-618.0	O-Ring seal 88.57 x 2.62 HNBR 70 Shore	1	ST
13	5.034-494.0	Retaining bracket	1	ST
14	6.288-072.0	Silicon grease	1	ST



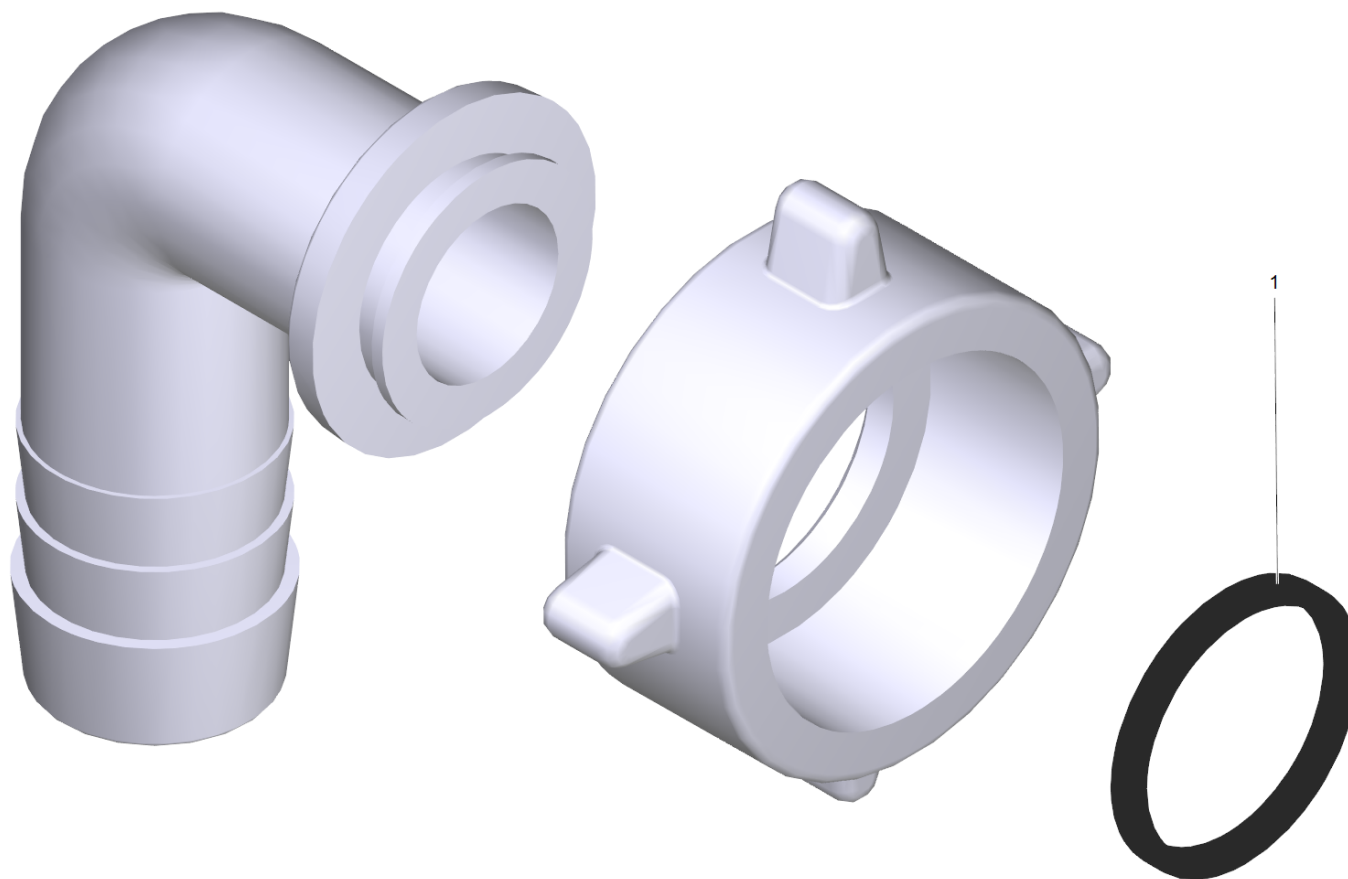
3 Spare part set air circulation (2.885-228.0)

POS	Description	Quantity	Unit
1	Air circulation front	1	ST
2	Air circulation rear	1	ST



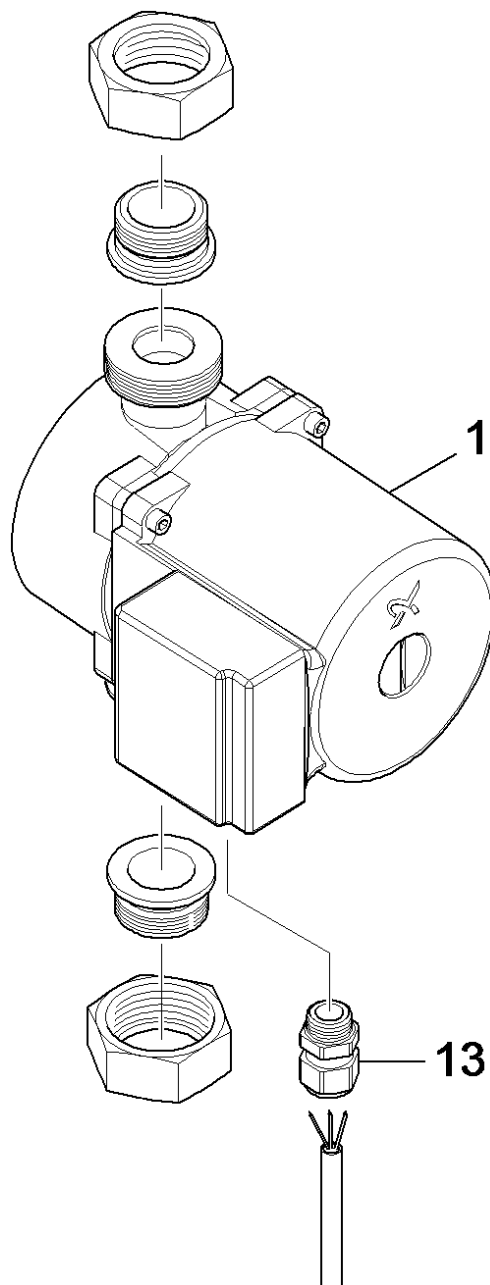
4 Electric control box HD 7/16-4 ST 400V

POS	Article no.	Description	Quantity	Unit	Foot note text
1	5.062-336.0	Housing electric control box	1	ST	
3	4.632-002.0	Contacteur -nur fuer Ersatz-	1	ST	
4	6.631-190.0	Motor protecting switch	1	ST	
5	6.641-270.0	Plug	1	ST	
7	6.273-037.0	Seal string cellular rubber 3	0,8	M	
8	6.661-302.0	Interference suppressor triple-pole	1	ST	
9	6.630-049.0	Cap	1	ST	
14	5.321-692.0	Handle	1	ST	
15	5.363-616.0	Joint ring	1	ST	
16	5.064-413.0	Cover electric control box	1	ST	
18	7.303-085.0	Screw 4x 35 -10.9-R2R (K-In6Rd)	4	ST	
19	5.263-101.0	Tensioning part 10.5/14/7	2	ST	
21		Sheet metal screw ST3,9x45 -St-A2K-C-H I	2	ST	
22	5.802-261.0	Mounting part	1	ST	
23	6.651-506.0	Lens housing	1	ST	
24	6.651-505.0	Pilot lamp	1	ST	
25	6.984-610.0	Circuit board control system HD-ST	1	ST	
28	7.303-106.0	Screw 4x12 -10.9-R2R (IN6RD)	7	ST	
29	7.312-281.0	Washer 4 -200HV-A2E ISO7093-1	2	ST	
30	6.643-336.0	Strip terminal	2	ST	VERSION 1
30	6.643-471.0	Strip terminal with fuse	2	ST	VERSION 2
31	6.644-070.0	Fuse insert medium time-lag G-5,0A	2	ST	
32	6.649-844.0	Cable harness HD-ST	1	ST	
35	6.649-442.0	Cable with plug	1	ST	
36	7.312-098.0	Washer 27 -PA6.6-Natur ISO 7089	1	ST	
37	6.303-245.0	Cylinder head screw 3X18-ST-A2E	1	ST	VERSION 1
37	7.306-045.0	Screw M2x20 -4.8-A2K DIN 84	1	ST	VERSION 2
41	7.303-119.0	Countersunk screw 3x10 -10.9-R2R (In6Rd)	1	ST	VERSION 2
42	5.013-470.0	Plate clamp	1	ST	VERSION 2



12 Elbow screw connector R1" (6.391-867.0)

POS	Article no.	Description	Quantity	Unit
1	6.362-358.0	Seal	1	ST

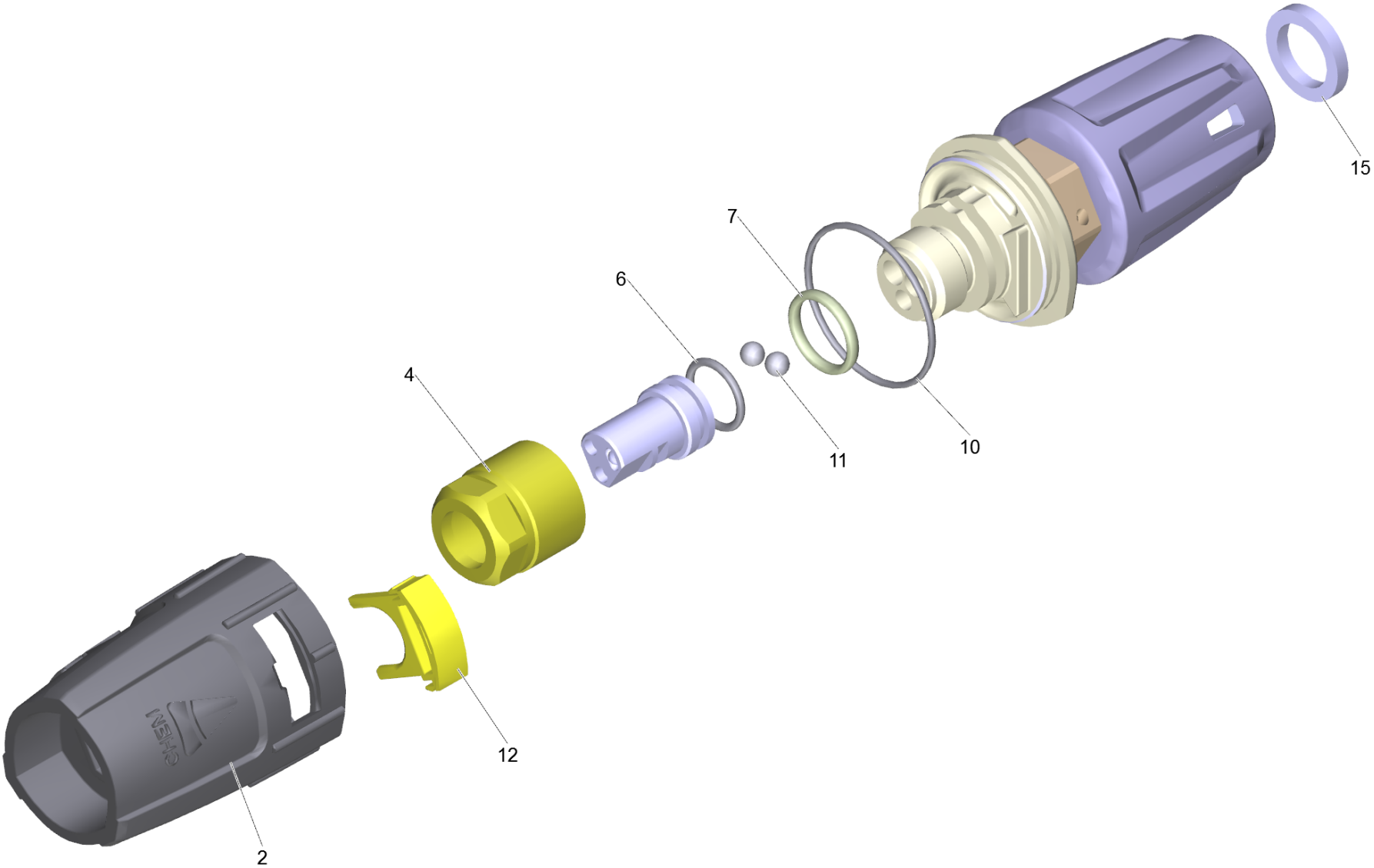


13 Circulation pump (4.540-133.0)

POS	Article no.	Description	Quantity	Unit
1	6.473-533.0	Admission pressure pump one-pole	1	ST
13	6.641-357.0	Cable gland PG11	1	ST

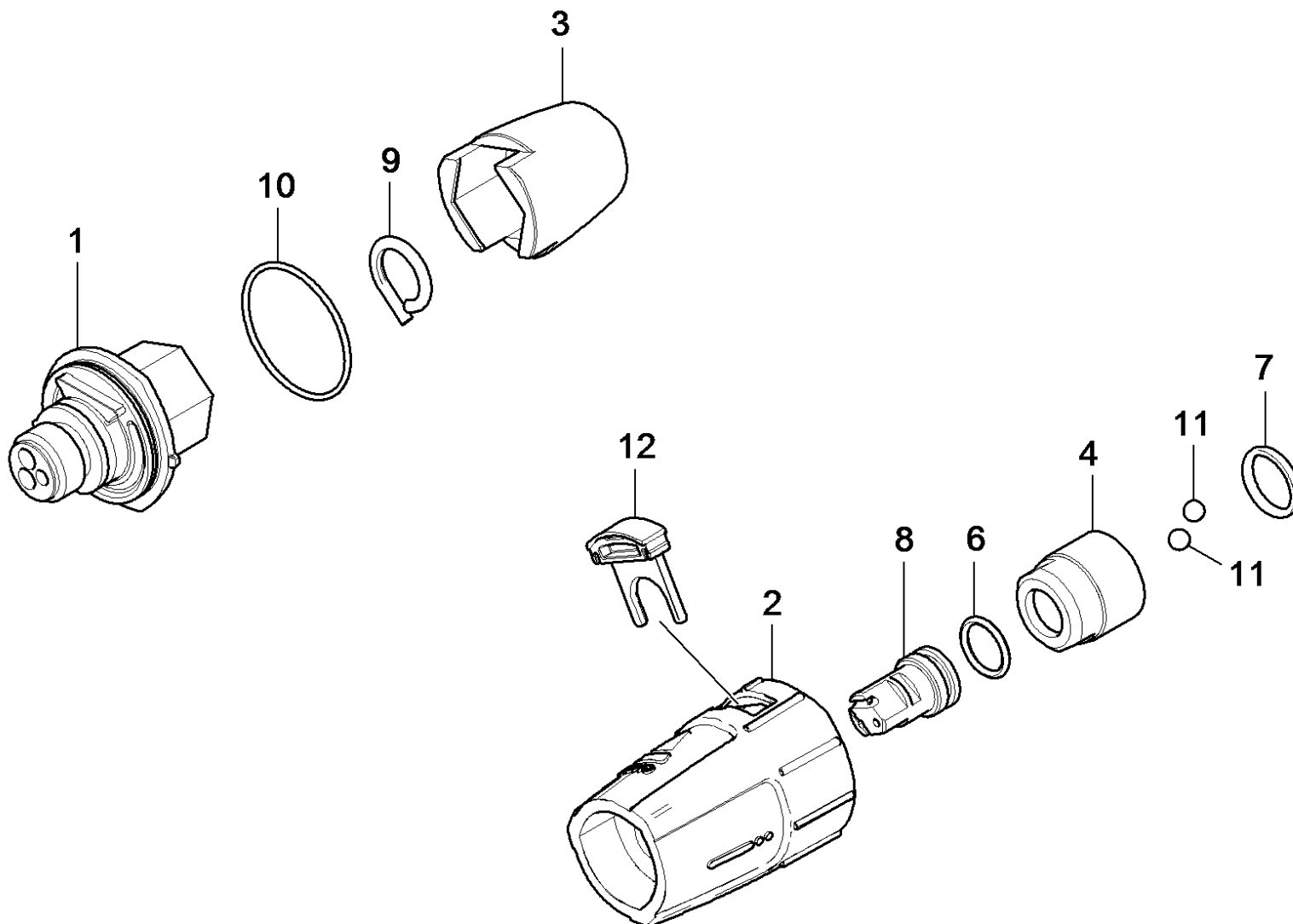
40 Triple jet nozzle TR 043 (4.117-035.0)

POS	Description	Quantity	Unit
1	Triple jet nozzle TR 043	1	ST



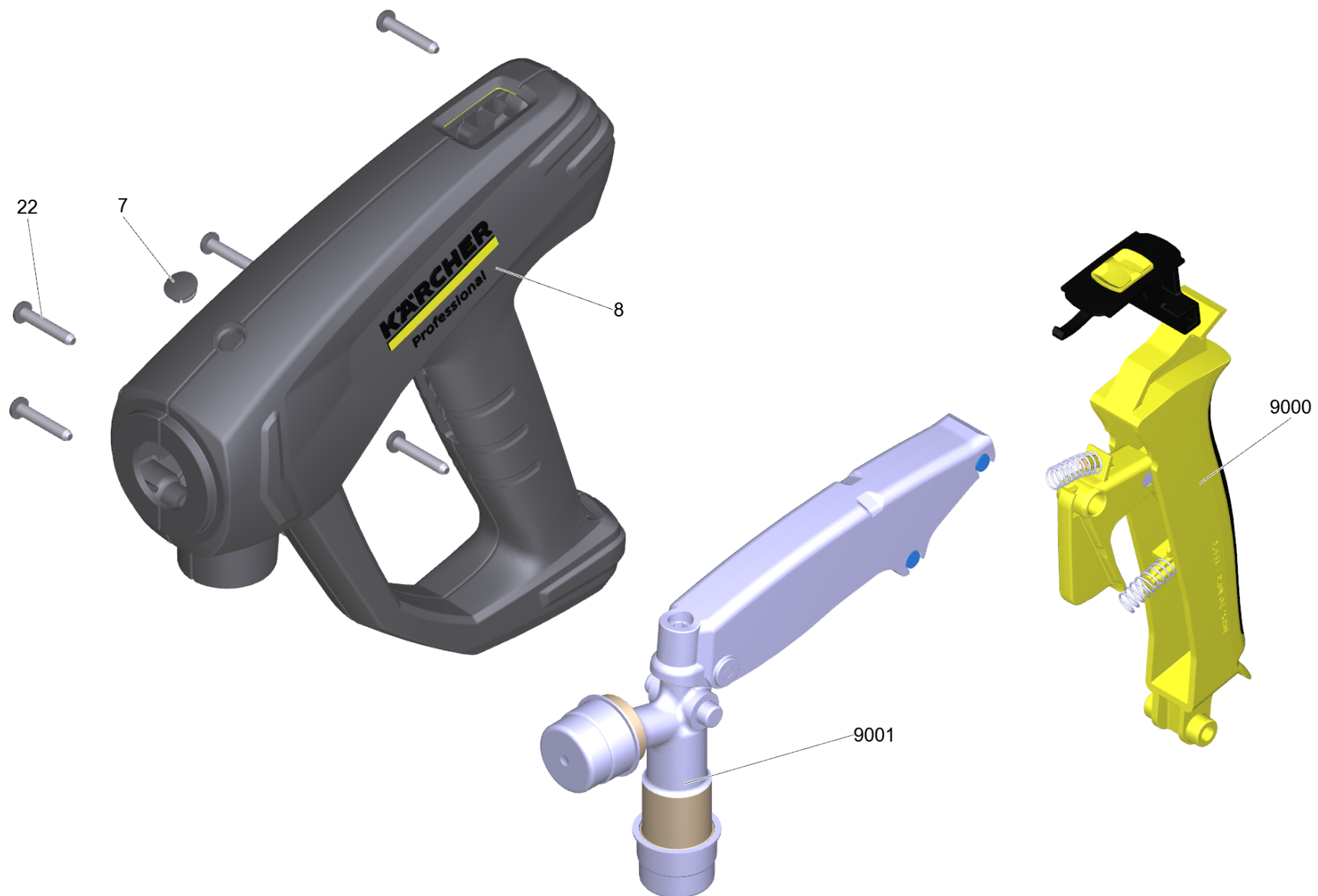
1 Triple jet nozzle TR 043

POS	Article no.	Description	Quantity	Unit
2	5.394-859.0	Protection part	1	ST
4	5.311-225.0	Nut	1	ST
6	6.362-480.0	O-Ring seal 12,42x 1,78	1	ST
7	6.362-460.0	O-Ring seal 14,0 X 2,5-NBR 70	1	ST
10	6.362-409.0	O-Ring seal 32,0 X 1,5	1	ST
11	7.401-902.0	Sphere 5 G20 -1.4034 DIN 5401	2	ST
12	5.321-884.0	Clamp	1	ST
15	6.363-696.0	Brake ring 14x20x3	1	ST



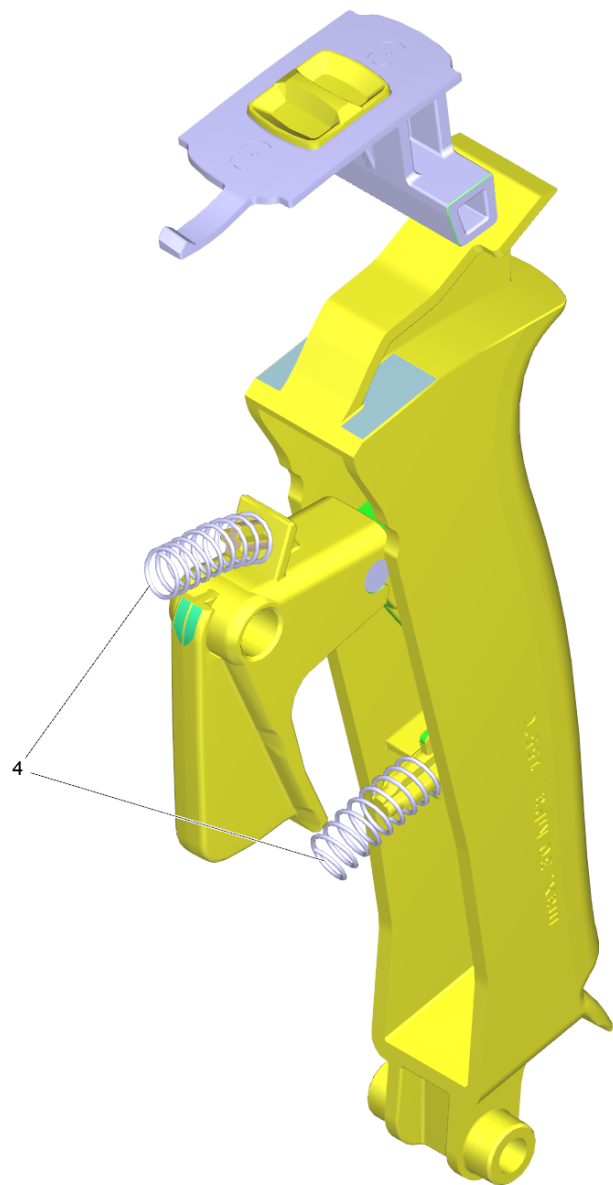
40 Triple jet nozzle only for replacement 0 (4.767-152.0)

POS	Article no.	Description	Quantity	Unit
1		Distributor	1	ST
2	5.394-859.0	Protection part	1	ST
3	5.394-530.0	Protection part complete	1	ST
4	5.311-225.0	Nut	1	ST
6	6.362-480.0	O-Ring seal 12,42x 1,78	1	ST
7	6.362-460.0	O-Ring seal 14,0 X 2,5-NBR 70	1	ST
8	5.415-605.0	Triple jet nozzle 043	1	ST
9	6.343-150.0	Pin 03	1	ST
10	6.362-409.0	O-Ring seal 32,0 X 1,5	1	ST
11	7.401-902.0	Sphere 5 G20 -1.4034 DIN 5401	2	ST
12	5.321-884.0	Clamp	1	ST



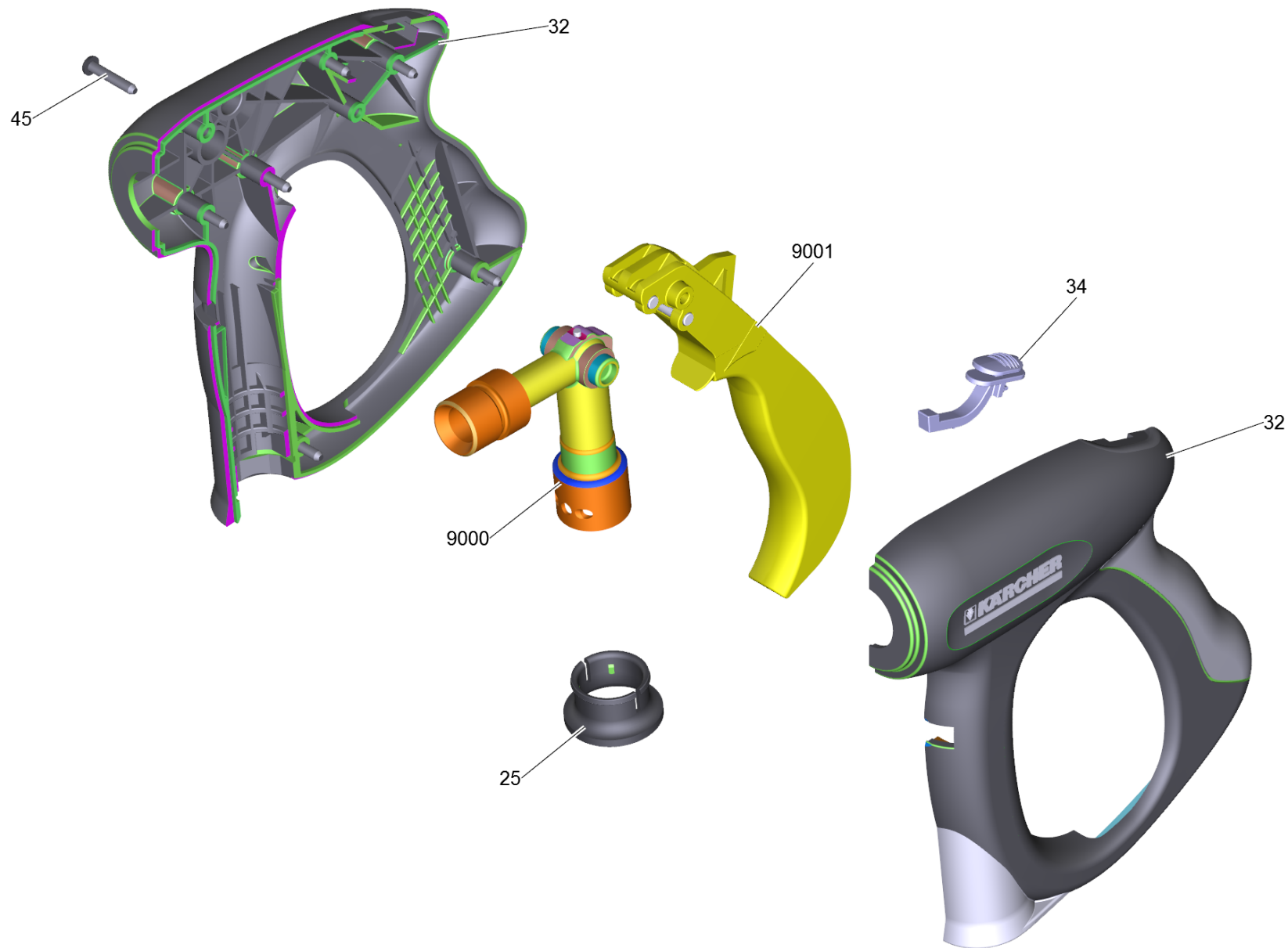
41 EASY!Force Advanced (4.118-005.0)

POS	Article no.	Description	Quantity	Unit
7	5.132-001.0	Plug	1	ST
8	5.321-136.3	Handhold few EH 155 only for replacement	1	ST
22	7.303-096.0	Screw 4x22 -ST-10.9-R2R (IN6RD)	7	ST
9000	2.885-483.0	Spare part set lever	1	ST
9001	4.427-014.0	Manifold TR EH 155 nur fuer Ersatz	1	ST



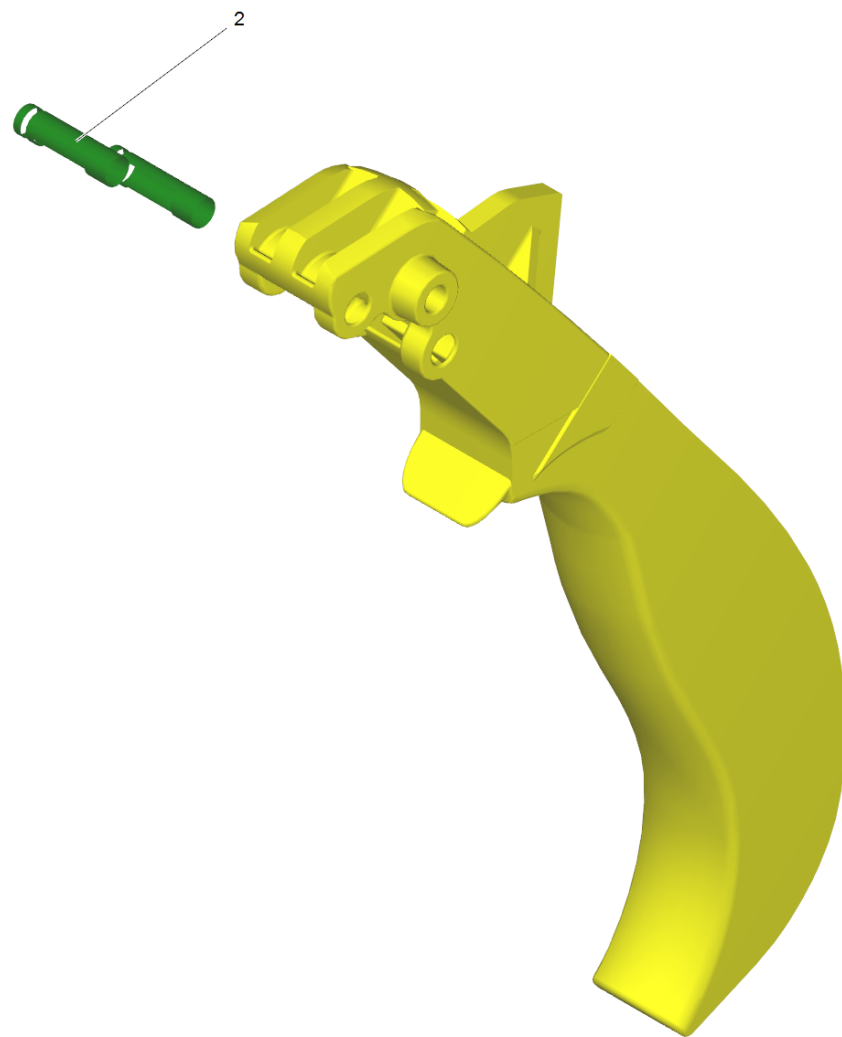
9000 Spare part set lever (2.885-483.0)

POS	Article no.	Description	Quantity	Unit
4	5.332-178.0	Helical spring	2	ST



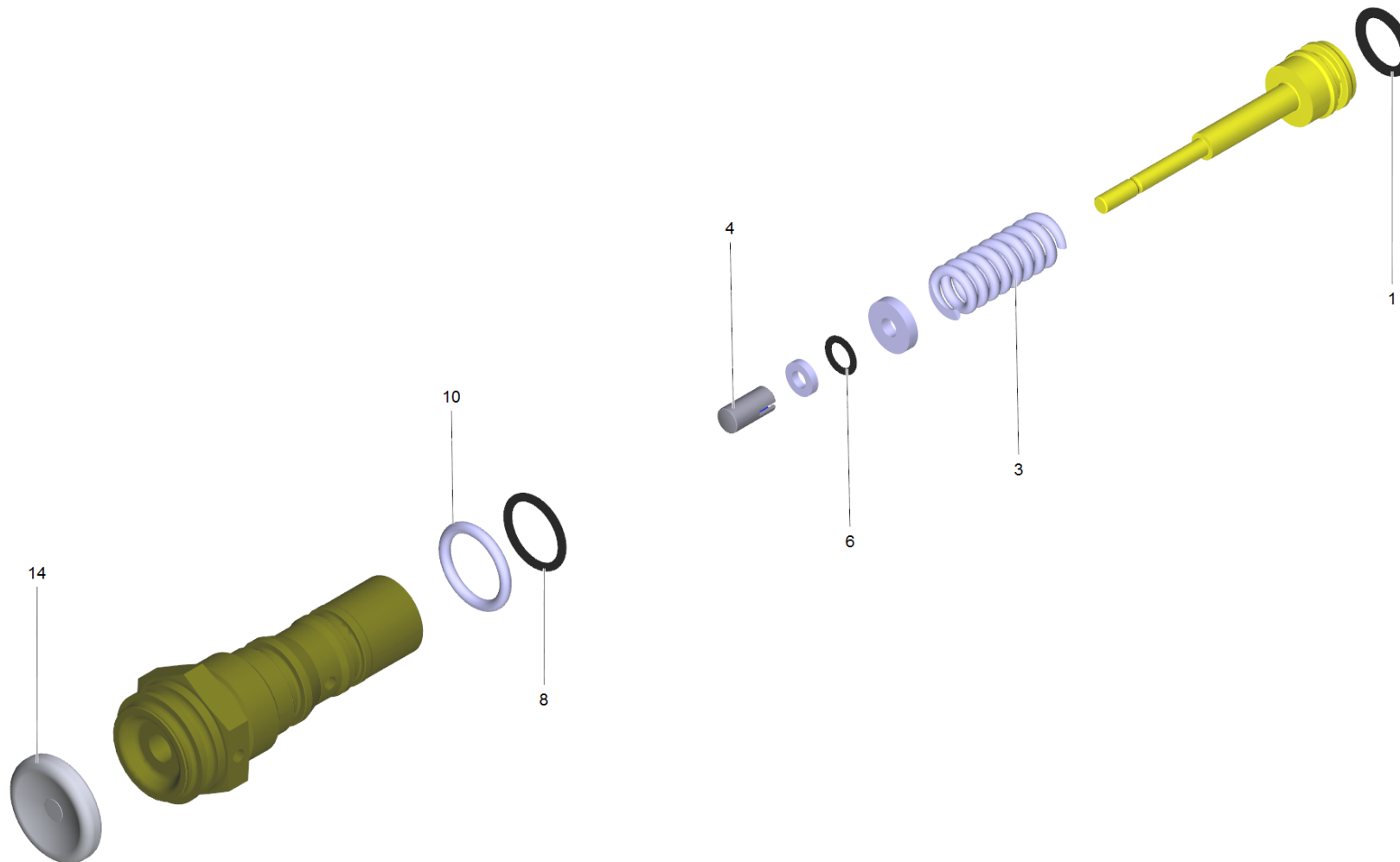
41 Hand trigger gun (4.775-448.0)

POS	Article no.	Description	Quantity	Unit
25	5.110-596.0	Sleeve	1	ST
32	5.321-669.3	Handhold few	1	ST
34	5.481-331.0	Slider	1	ST
45	7.303-096.0	Screw 4x22 -ST-10.9-R2R (IN6RD)	7	ST
9000	4.427-215.0	Manifold complete only for replacement	1	ST
9001	4.481-209.0	Lever complete	1	ST



9001 Lever complete (4.481-209.0)

POS	Article no.	Description	Quantity	Unit
2	5.314-119.0	Pin	2	ST

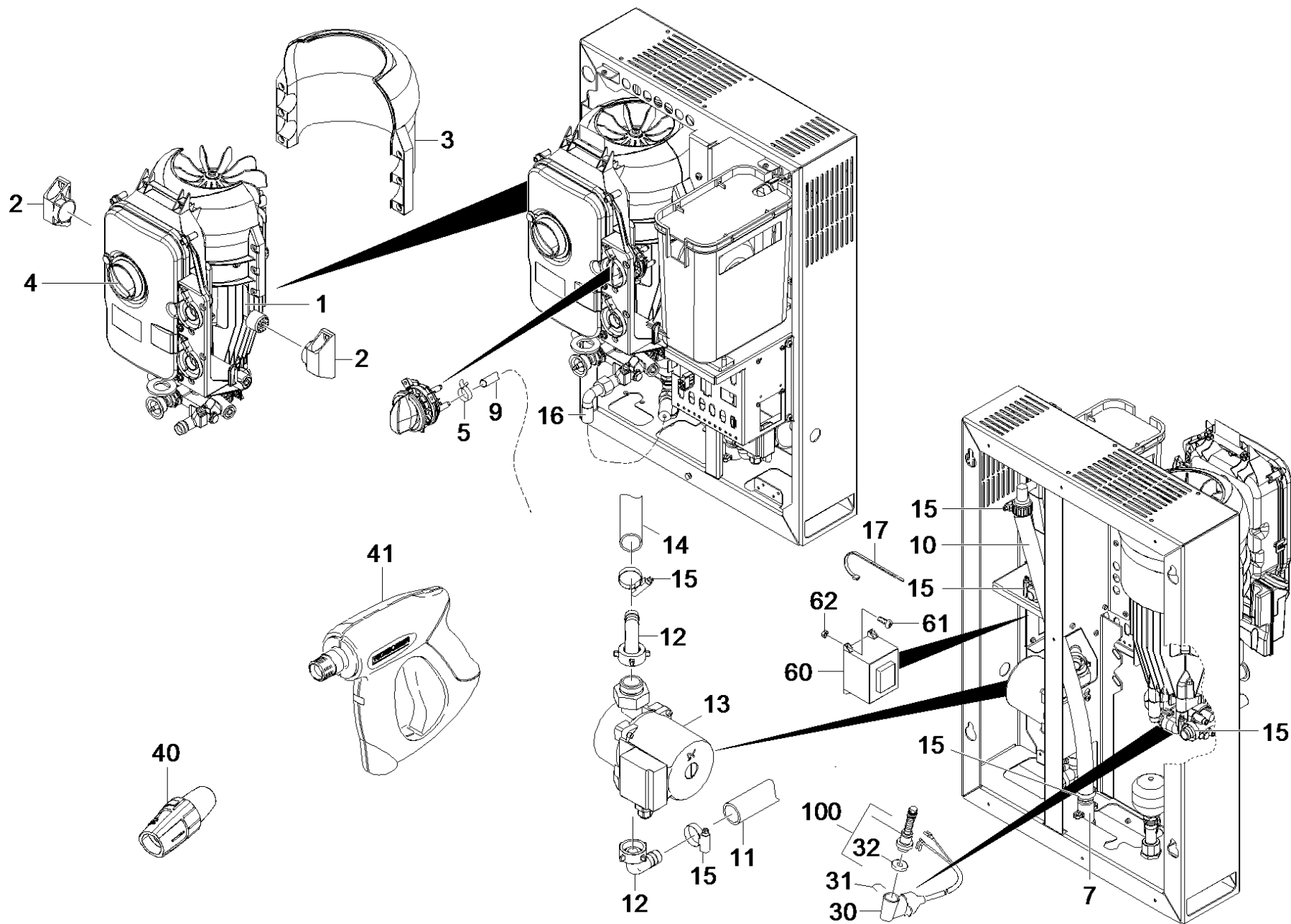


100 Spare part set control piston (2.885-226.0)

POS	Article no.	Description	Quantity	Unit
1	6.363-350.0	O-Ring seal 8.74x1.78	1	ST
3	5.332-511.0	Helical spring	1	ST
4	5.110-947.0	Sleeve	1	ST
6	6.363-330.0	O-Ring seal 2,9 x 1,78	1	ST
8	6.363-452.0	O-Ring seal 11 x 1,5	1	ST
10	6.363-519.0	O-Ring seal 12,00x 2,00	1	ST
14	5.367-030.0	Diaphragm	1	ST

11 Pump set complete HD 9/18-4 ST-H 400V

POS	Article no.	Description	Quantity	Unit
10	2.532-004.3	Spare parts list pump set complete HD 9/	1	ST

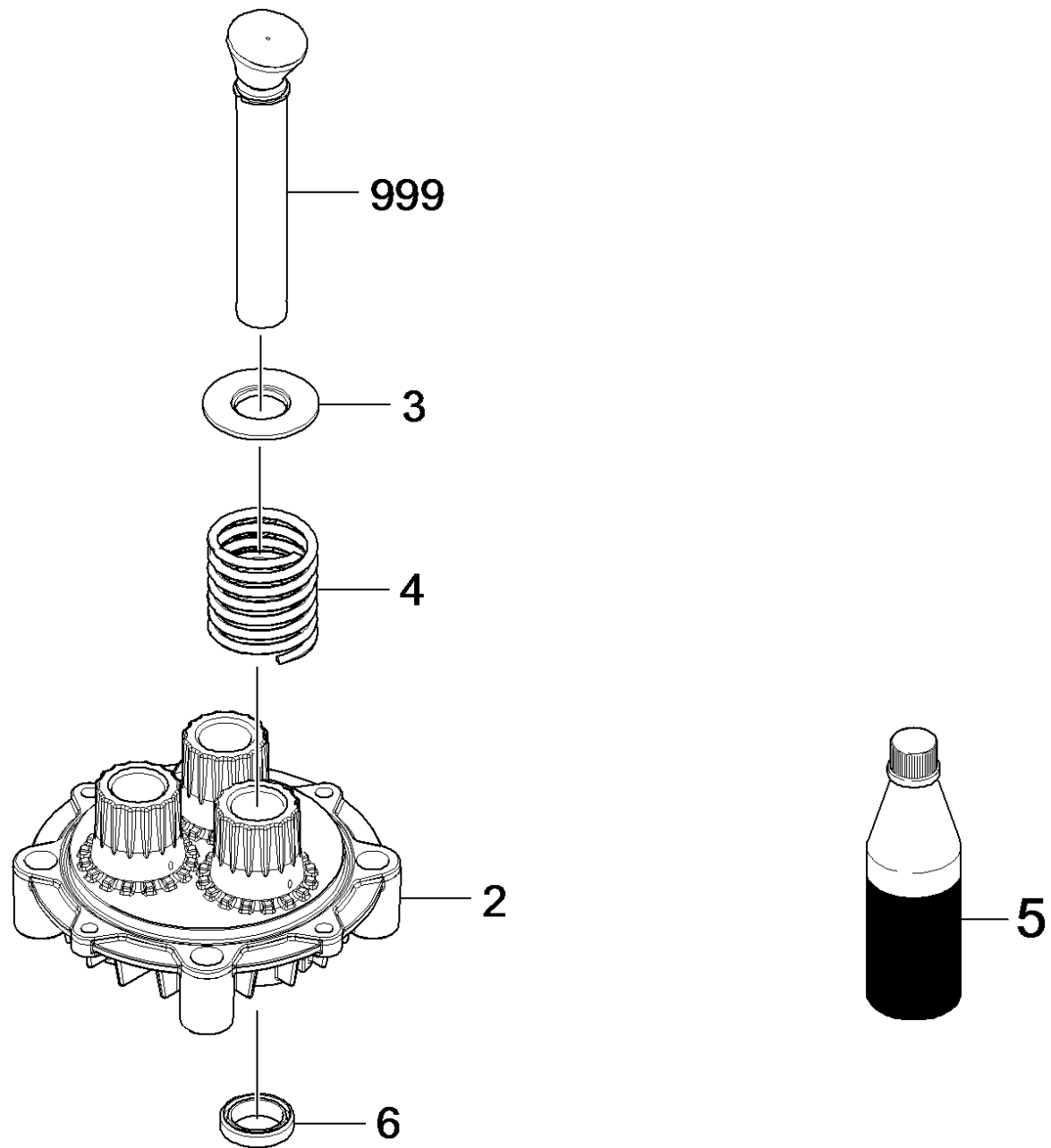


10 Spare parts list pump set complete HD 9/ (2.532-004.3)

POS	Article no.	Description	Quantity	Unit	Remark
1		Pump set HD 9/18-4 ST-H	1	ST	
2	5.044-998.0	Holder	2	ST	
3	2.885-228.0	Spare part set air circulation	1	ST	
4		Electric control box HD-ST 400V	1	ST	
5	6.390-133.0	Hose clip	2	ST	
6	7.306-190.0	Screw M6x8 -A2-70 (In6Rd)	2	ST	
7	5.427-432.0	Manifold	1	ST	
8	7.312-026.0	Washer 6 -A2 ISO 7089	2	ST	
9	6.388-247.0	Hose DN8 -PVC	0,44	M	
10	6.388-719.0	Hose DN17	0,57	M	
11	5.443-628.0	Hose	1	ST	
12	6.391-867.0	Elbow screw connector R1"	2	ST	
13	4.540-133.0	Circulation pump	1	ST	
14	6.388-293.0	Elbow hose	1	ST	
15	7.373-022.0	Hose clip A-16-27x9 -W2-2 DIN3017	6	ST	
16	6.392-198.0	Hose assembly DN8 40MPa 0,46m	1	ST	
17	6.641-465.0	Cable tape	1	ST	
30	4.744-242.0	Switch kpl. -nur für Ersatz-	1	ST	
31	5.034-494.0	Retaining bracket	1	ST	
32	5.367-030.0	Diaphragm	1	ST	
40	4.117-039.0	Triple jet nozzle TR 055	1	ST	1.524-950.2
40	4.767-066.0	Triple jet nozzle 055	1	ST	1.524-500.2
41	4.118-005.0	EASY!Force Advanced	1	ST	1.524-950.2
41	4.775-463.0	HAND TRIGGER GUN EASY PRESS	1	ST	1.524-500.2
60	6.622-332.0	Control transformer 96VA - EI78/40,5 380	1	ST	
61	7.306-058.0	Screw M 4X 12- 8.8-R2R K-IN6RD	4	ST	
62	7.311-569.0	Square nut M4 -04-A2E DIN 562	4	ST	
100	2.885-226.0	Spare part set control piston	1	ST	

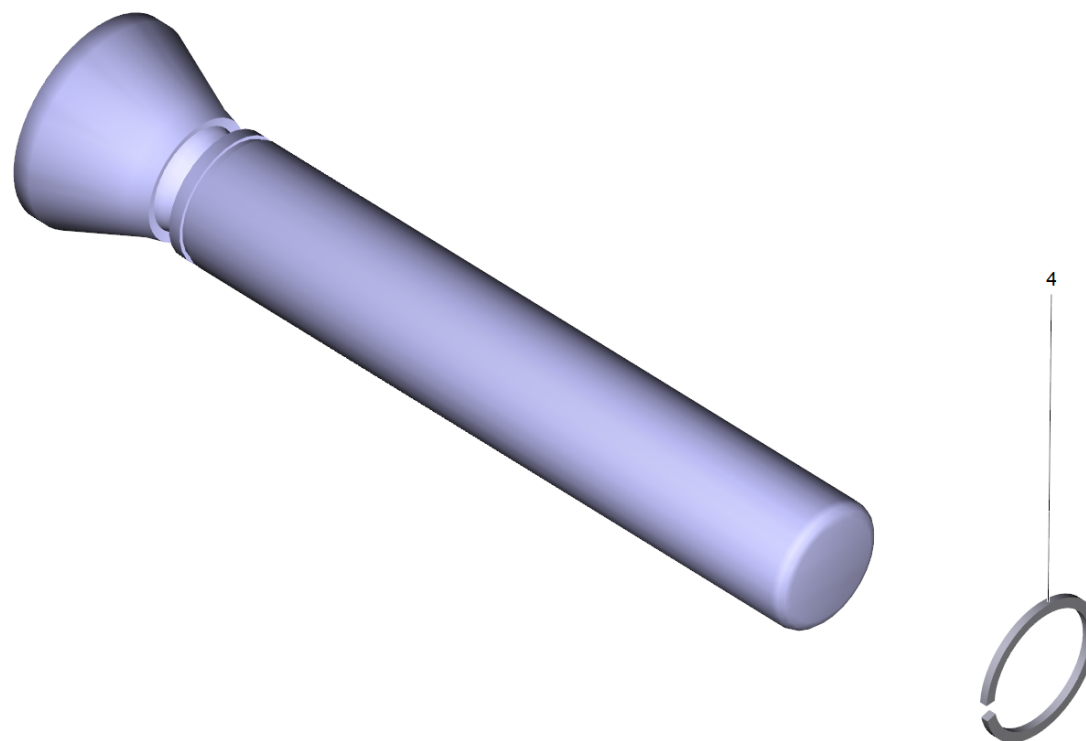
1 Pump set HD 9/18-4 ST-H

POS	Article no.	Description	Quantity	Unit
2		Thrust guidance complete	1	ST
3	4.624-071.0	Motor complete only for replacement HD 9	1	ST
4		Cylinder head complete -H	1	ST
6	5.011-428.0	Plate bracket	1	ST
7	5.044-918.0	Retaining plate box oil	1	ST
8	5.064-457.0	Cover plate qusty grey oil	1	ST
9	5.070-831.0	Tank oil	1	ST
11	2.885-228.0	Spare part set air circulation	1	ST
14	6.643-151.0	Strip terminal one-pole 16mm ²	1	ZST
18	7.306-180.0	Screw M5x10-A2-70 (In6Rd)	1	ST
20	5.767-005.0	Rubber buffer	4	ST
21	5.365-341.0	Profile gasket long	1	ST
23	6.288-016.0	Gear oil 1L	1	ST
24	6.288-044.0	Silicon grease 100 G	1	ST
26	6.363-499.0	O-Ring seal 28,0x3,0	1	ST
27	5.115-255.0	Washer	3	ST
32	5.112-866.0	Bush	3	ST
33	5.132-187.0	Plug	1	ST
45	4.820-578.0	Cable green/yellow 1,5mm ² x450mm	1	ST
50	7.303-031.0	Screw M4x10 -St-P2R (In6Rd)	1	ST
60	7.306-105.0	Screw M6x30 -8.8-R3R (In6Rd)	2	ST
65	7.306-155.0	Cylinder head screw M12x100 -8.8-A3E IS	4	ST
70	7.303-039.0	Screw M5x16 -St-P2R (In6Rd)	3	ST
100	2.885-318.0	Pump set HD 9/18 ST-H	1	ST



2 Thrust guidance complete

POS	Article no.	Description	Quantity	Unit
2	5.061-185.3	Thrust guidance	1	ST
3	5.116-310.0	Washer	3	ST
4	5.332-550.0	Helical spring	3	ST
5	6.288-016.0	Gear oil 1L	1	ST
6		Part at pump set	1	ST
999	4.553-279.0	Piston complete	3	ST

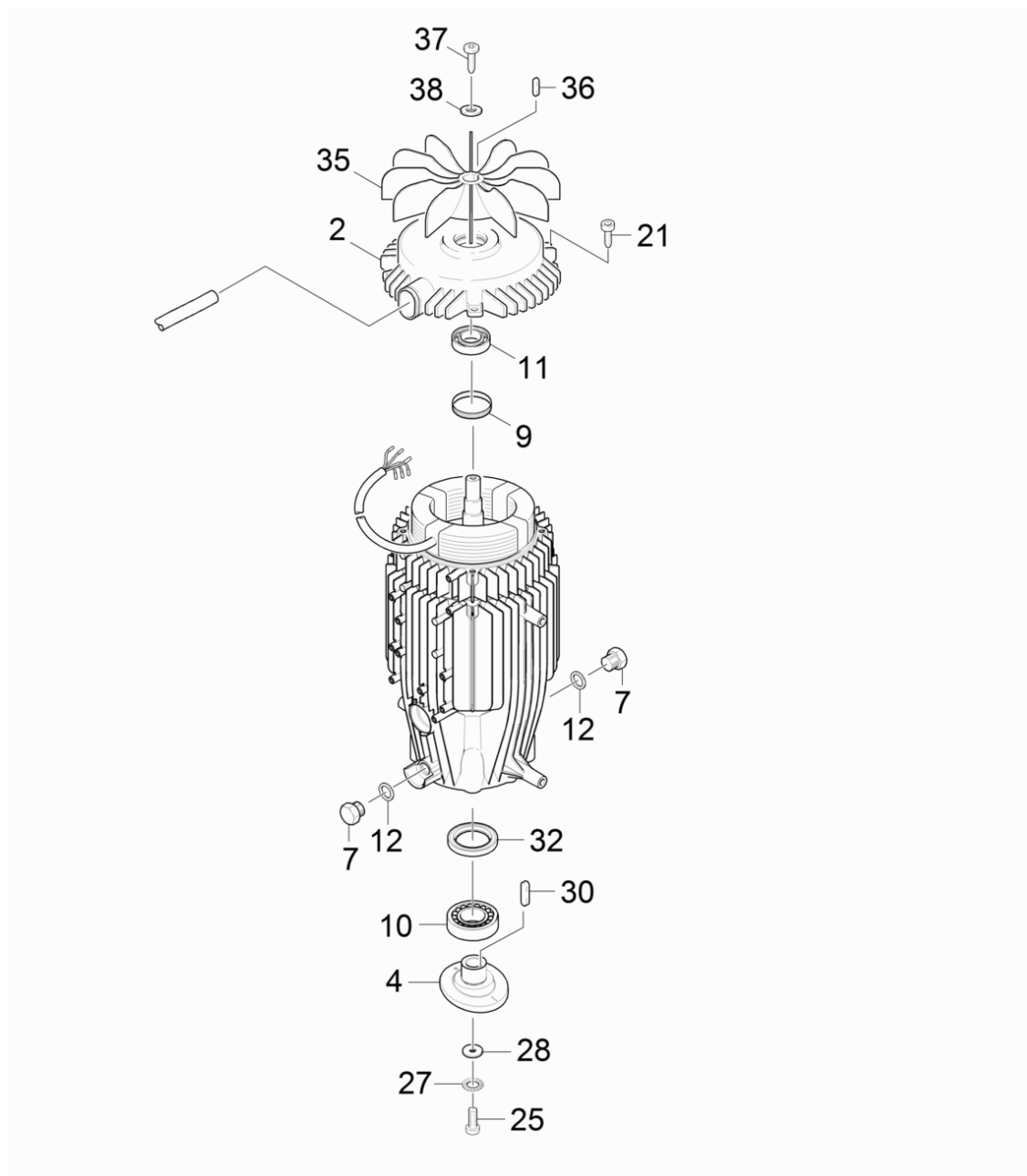


999 Piston complete (4.553-279.0)

POS	Article no.	Description	Quantity	Unit
4	6.472-331.0	Snap ring 20	1	ST

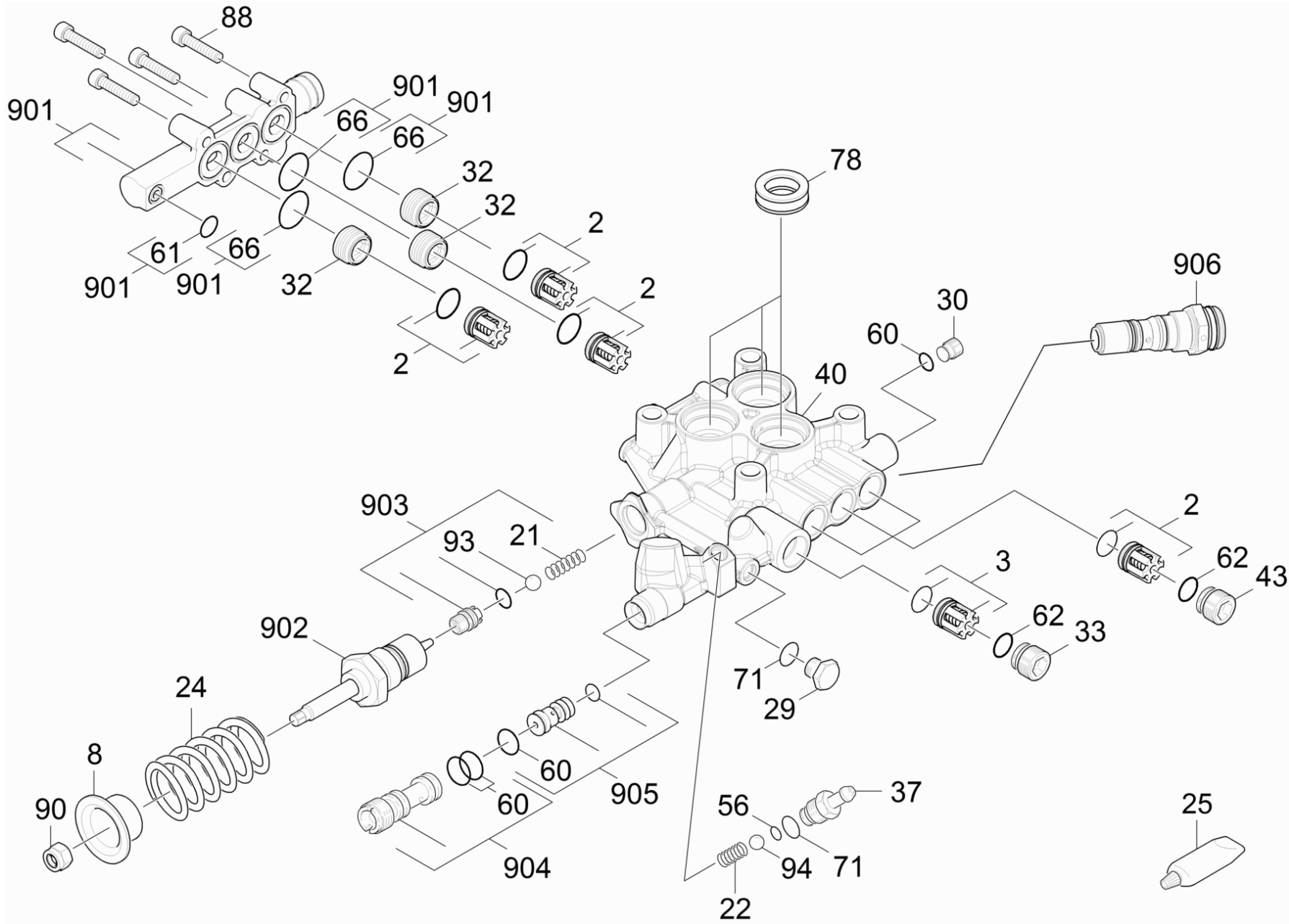
3 Motor complete only for replacement HD 9 (4.624-071.0)

POS	Description	Quantity	Unit
1	Motor complete HD 9/18-4ST 400V	1	ST



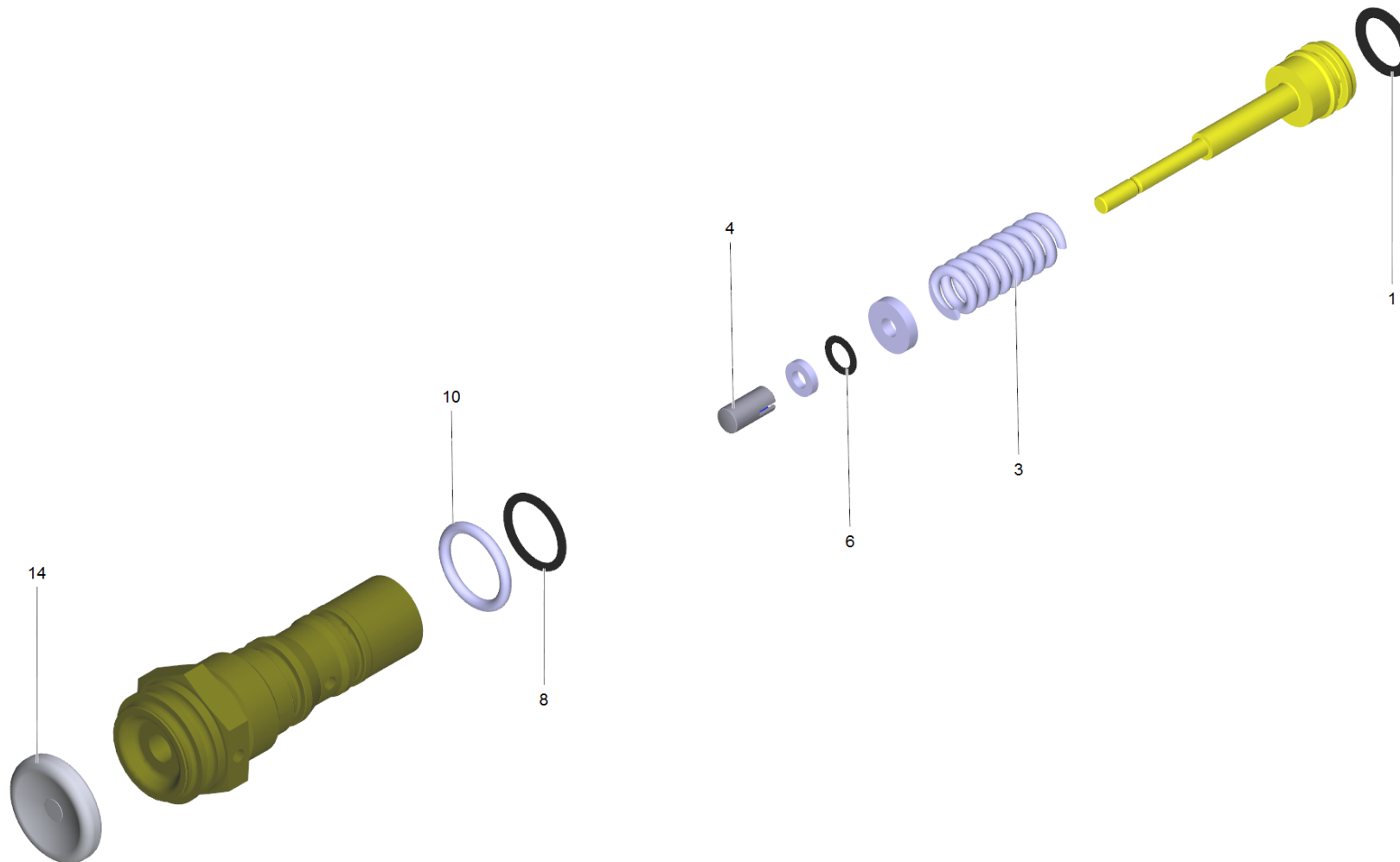
1 Motor complete HD 9/18-4ST 400V

POS	Article no.	Description	Quantity	Unit
2	5.063-707.0	Bearing cover B	1	ST
4	4.120-239.0	Wobble plate -nur für Ersatz-	1	ST
7	5.411-100.0	Screw plug	2	ST
9	6.343-171.0	Tolerance ring	1	ST
10	6.401-405.0	Taper roller bearing	1	ST
11	6.401-285.0	Ball bearing 6204 2RS	1	ST
12	6.363-498.0	O-Ring seal 11,0x2,0 HNBR	2	ST
21	7.303-048.0	Screw M6x20 -St-R3R (In6Rd)	4	ST
25	7.306-041.0	Cylinder head screw M8x20 -8.8-A2E ISO	1	ST
27	7.312-159.0	Toothed lock washer A8,4-FST-PH DIN 679	1	ST
28	5.115-565.0	Washer	1	ST
30	7.318-030.0	Parallel key 6x6x25 -C45K DIN 6885-1	1	ST
32	7.367-012.0	Radial shaft seal ring A35x52x7 -FKM DIN	1	ST
35	5.600-046.0	Blower wheel	1	ST
36	7.318-079.0	Parallel key A 5x5x25-C45K DIN 6885	1	ST
37	7.312-260.0	Washer 6 -100HV-A3E ISO 7094	1	ST
38	7.306-092.0	Screw M6x20-ST- 8.8-R3R (IN6RD)	1	ST



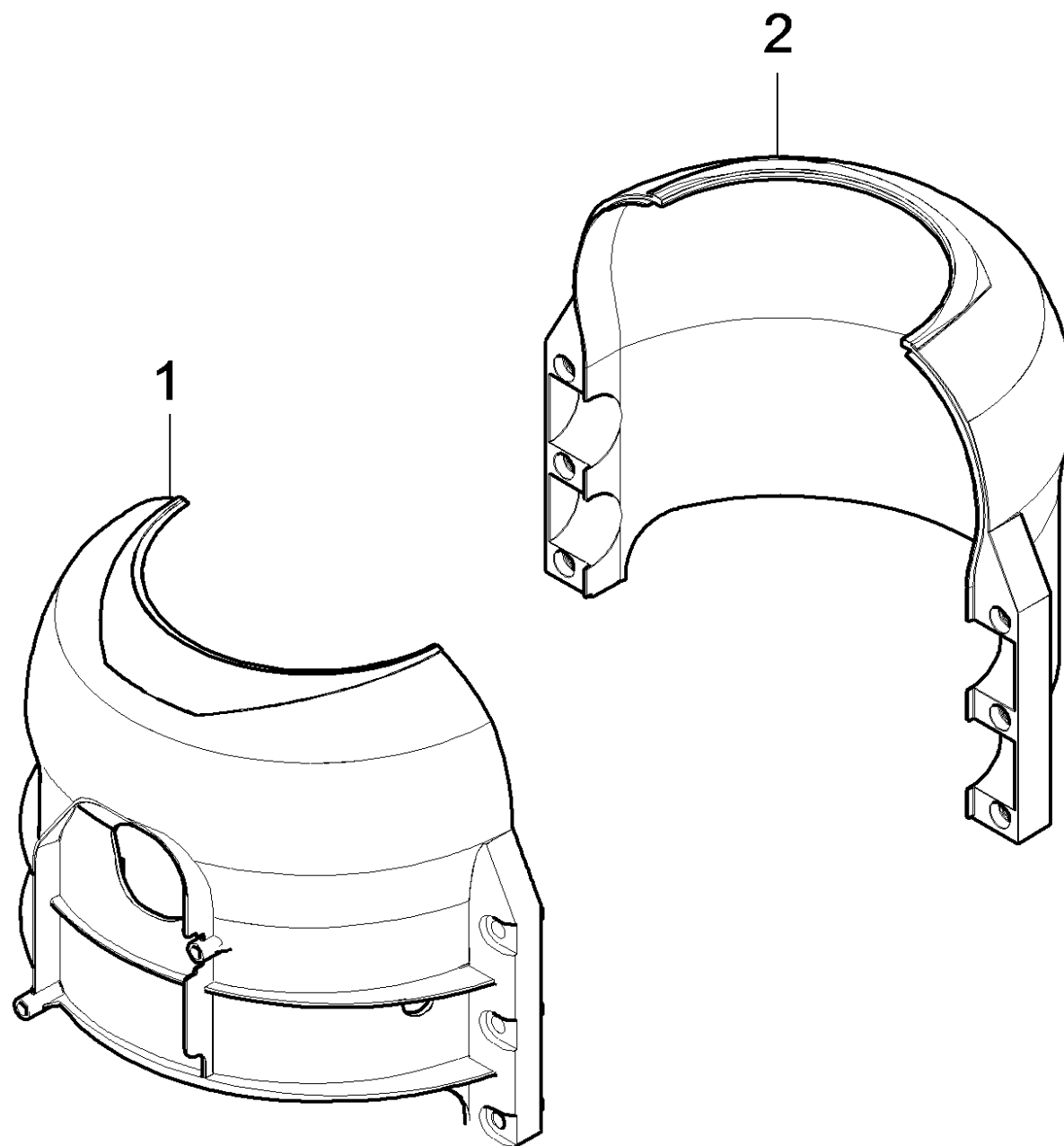
4 Cylinder head complete -H

POS	Article no.	Description	Quantity	Unit
2		Part at pump set	1	ST
3		Part at pump set	1	ST
8	5.112-757.0	Bush	1	ST
21	5.332-999.0	Helical spring	1	ST
22	5.332-258.0	Helical spring	1	ST
24	5.332-530.0	Helical spring	1	ST
25	6.288-044.0	Silicon grease 100 G	1	ST
29	5.411-070.0	Screw plug	1	ST
30	5.411-152.0	Screw plug	1	ST
32	5.583-177.0	Valve screw M20x1	3	ST
33	5.411-166.0	CLOSING SCREW	1	ST
37	5.443-370.0	Nipple	1	ST
40	4.550-977.0	Spare part set cylinder head	1	ST
43	5.583-146.3	Valve screw	3	ST
56	6.363-489.0	O-Ring seal 5,28x1,78	1	ST
60	6.363-331.0	O-Ring seal 9,0 x 1,5	4	ST
61		Part at pump set	1	ST
62		Part at pump set	1	ST
66		Part at pump set	1	ST
71		Part at pump set	1	ST
78		Part at pump set	1	ST
88	7.306-019.0	Cylinder head screw M8x35 -A4-70 ISO 47	4	ST
90	7.311-510.0	Hexagon nut M 8-8-A2E ISO 7040	1	ST
93	7.401-907.0	Sphere 3/8 G200-1.4301 DIN 5401	1	ST
94	7.401-908.0	Sphere 7 G300 -1.4301 DIN 5401	1	ST
901	4.064-024.0	Suction cover complete only for replacem	1	ST
902	2.885-227.0	Spare part set overflow valve	1	ST
903	4.481-256.0	Valve seat complete	1	ST
904	4.769-054.0	Nozzle insert kpl.	1	ST
905	2.885-230.0	Spare part set nozzle insert only for re	1	ST
906	2.885-226.0	Spare part set control piston	1	ST



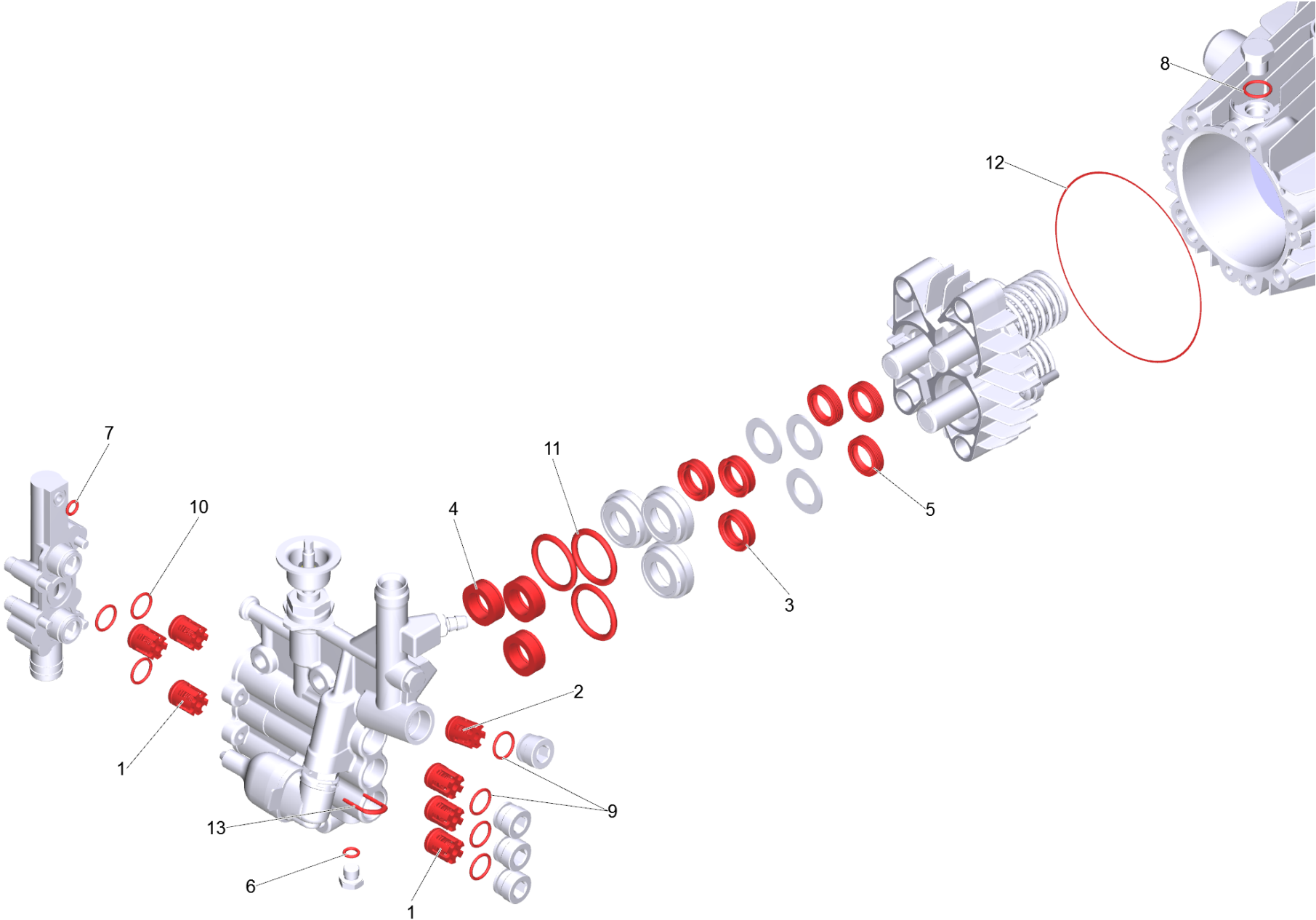
906 Spare part set control piston (2.885-226.0)

POS	Article no.	Description	Quantity	Unit
1	6.363-350.0	O-Ring seal 8.74x1.78	1	ST
3	5.332-511.0	Helical spring	1	ST
4	5.110-947.0	Sleeve	1	ST
6	6.363-330.0	O-Ring seal 2,9 x 1,78	1	ST
8	6.363-452.0	O-Ring seal 11 x 1,5	1	ST
10	6.363-519.0	O-Ring seal 12,00x 2,00	1	ST
14	5.367-030.0	Diaphragm	1	ST



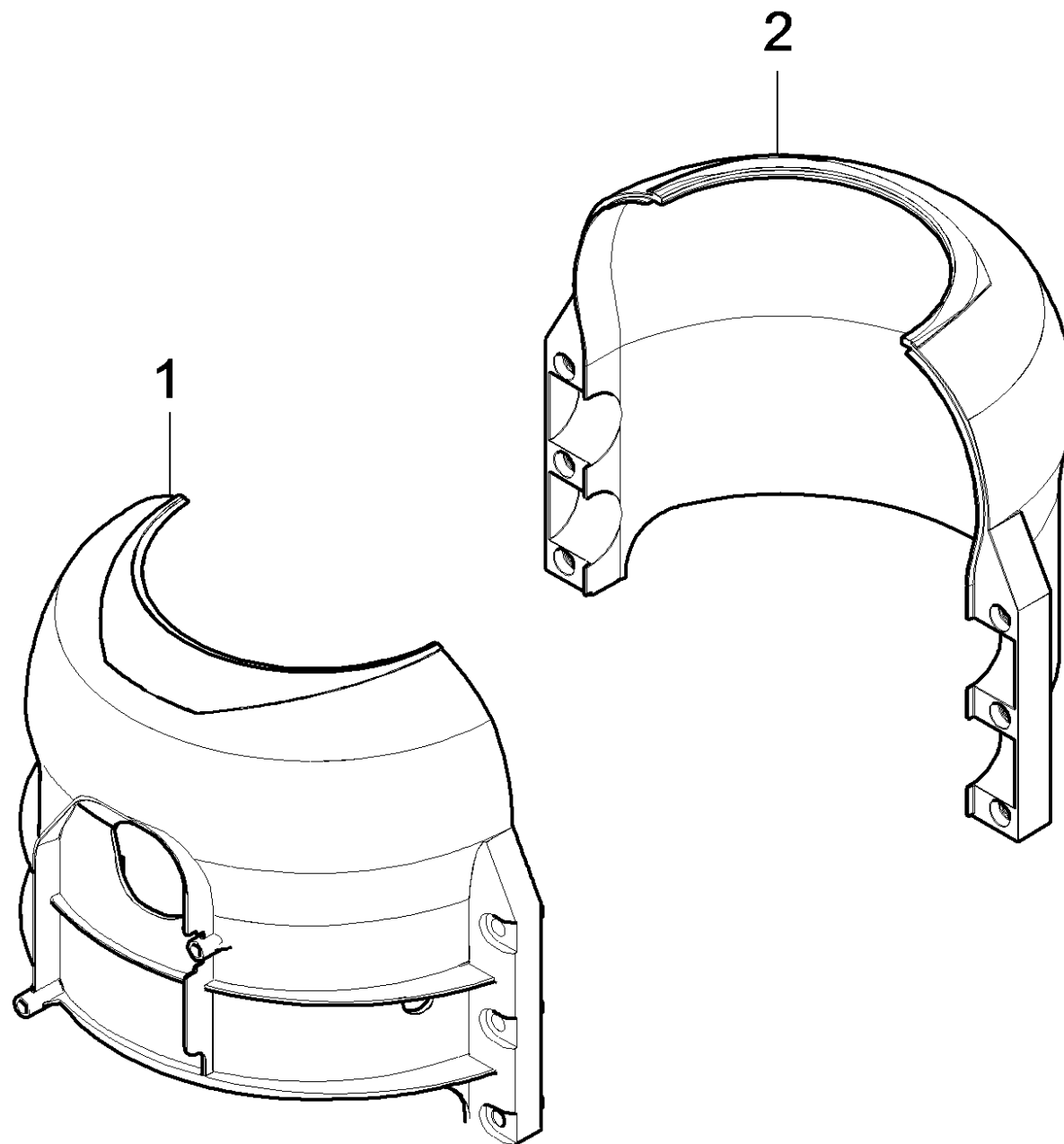
11 Spare part set air circulation (2.885-228.0)

POS	Description	Quantity	Unit
1	Air circulation front	1	ST
2	Air circulation rear	1	ST



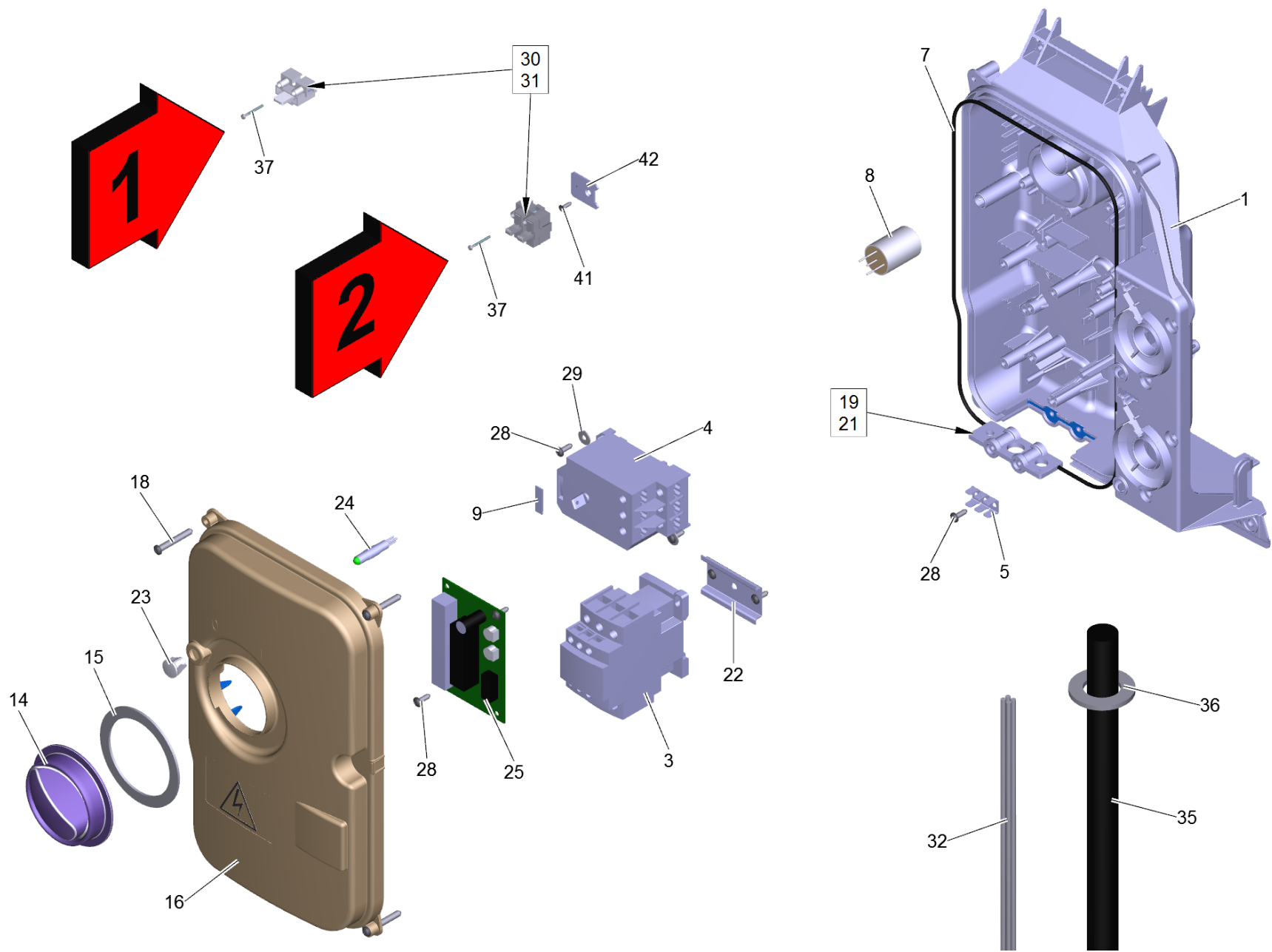
100 Pump set HD 9/18 ST-H (2.885-318.0)

POS	Article no.	Description	Quantity	Unit
1	2.885-139.0	Valve (3Stueck)	2	ST
2	4.580-734.0	Valve complete	1	ST
3	2.885-431.0	Set of gaskets ND PTFE 3x	1	ST
4	2.885-235.0	Set of gaskets high pressure W1 (3 Stuec	1	ST
5	6.365-436.0	Grooved ring 20X28X7/6	3	ST
6	6.363-496.0	O-Ring seal 7,0x2,0	3	ST
7	6.363-492.0	O-Ring seal 8,0x1,5	1	ST
8	6.363-498.0	O-Ring seal 11,0x2,0 HNBR	1	ST
9	6.363-459.0	O-Ring seal 14 x 2	4	ST
10	6.363-494.0	O-Ring seal 20,0x1,5	3	ST
11	6.363-548.0	O-Ring seal 32,0 x 2,0	3	ST
12	6.363-501.0	O-Ring seal 101,27x2,62 HNBR	1	ST
13	5.034-494.0	Retaining bracket	1	ST
14	6.288-072.0	Silicon grease	1	ST



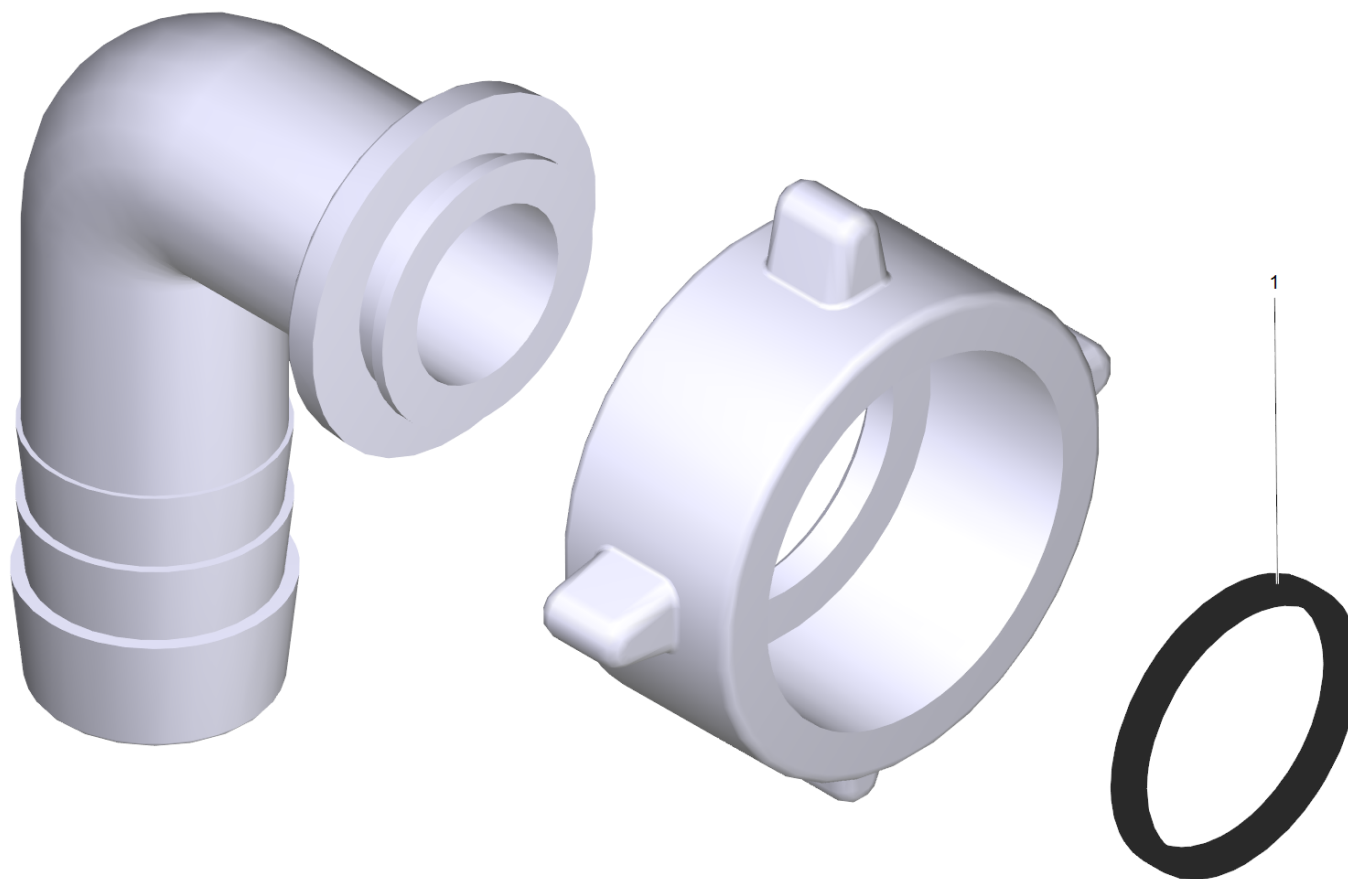
3 Spare part set air circulation (2.885-228.0)

POS	Description	Quantity	Unit
1	Air circulation front	1	ST
2	Air circulation rear	1	ST



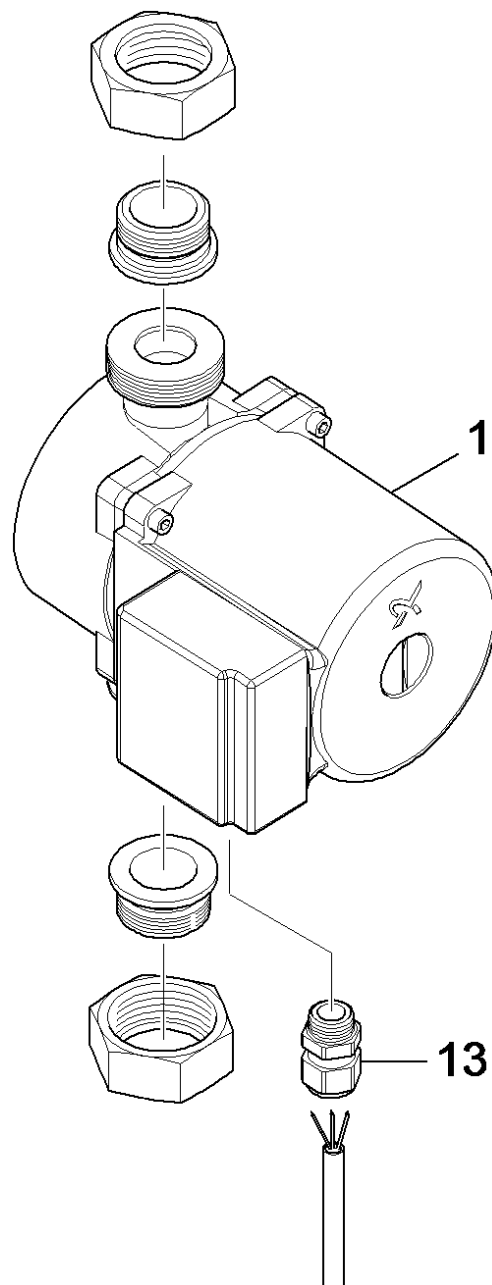
4 Electric control box HD-ST 400V

POS	Article no.	Description	Quantity	Unit	Foot note text
1	5.062-336.0	Housing electric control box	1	ST	
3	6.632-356.0	Contactor LC1-D18 B7	1	ST	
4	6.631-190.0	Motor protecting switch	1	ST	
5	6.641-270.0	Plug	1	ST	
7	6.273-037.0	Seal string cellular rubber 3	0,8	M	
8	6.661-302.0	Interference suppressor triple-pole	1	ST	
9	6.630-049.0	Cap	1	ST	
10	4.820-476.0	Cable black 2,5mm ² x250mm	3	ST	
14	5.321-692.0	Handle	1	ST	
15	5.363-616.0	Joint ring	1	ST	
16	5.064-413.0	Cover electric control box	1	ST	
18	7.303-085.0	Screw 4x 35 -10.9-R2R (K-In6Rd)	4	ST	
19	5.263-101.0	Tensioning part 10.5/14/7	2	ST	
20	6.641-463.0	Cable tape	4	ST	
21		Sheet metal screw ST3,9x45 -St-A2K-C-H I	2	ST	
22	5.802-261.0	Mounting part	1	ST	
23	6.651-506.0	Lens housing	1	ST	
24	6.651-505.0	Pilot lamp	1	ST	
25	6.984-610.0	Circuit board control system HD-ST	1	ST	
27	4.820-793.0	Cable brown 1,0mm ² x200mm	2	ST	
28	7.303-106.0	Screw 4x12 -10.9-R2R (IN6RD)	7	ST	
29	7.312-281.0	Washer 4 -200HV-A2E ISO7093-1	2	ST	
30	6.643-336.0	Strip terminal	2	ST	VERSION 1
30	6.643-471.0	Strip terminal with fuse	2	ST	VERSION 2
31	6.644-070.0	Fuse insert medium time-lag G-5,0A	2	ST	
32	6.649-844.0	Cable harness HD-ST	1	ST	
35	6.649-442.0	Cable with plug	1	ST	
36	7.312-098.0	Washer 27 -PA6.6-Natur ISO 7089	1	ST	
37	6.303-245.0	Cylinder head screw 3X18-ST-A2E	1	ST	VERSION 1
37	7.306-045.0	Screw M2x20 -4.8-A2K DIN 84	1	ST	VERSION 2
40	6.642-043.0	Insulating hose 10	0,36	M	
41	7.303-119.0	Countersunk screw 3x10 -10.9-R2R (In6Rd)	1	ST	VERSION 2
42	5.013-470.0	Plate clamp	1	ST	VERSION 2



12 Elbow screw connector R1" (6.391-867.0)

POS	Article no.	Description	Quantity	Unit
1	6.362-358.0	Seal	1	ST

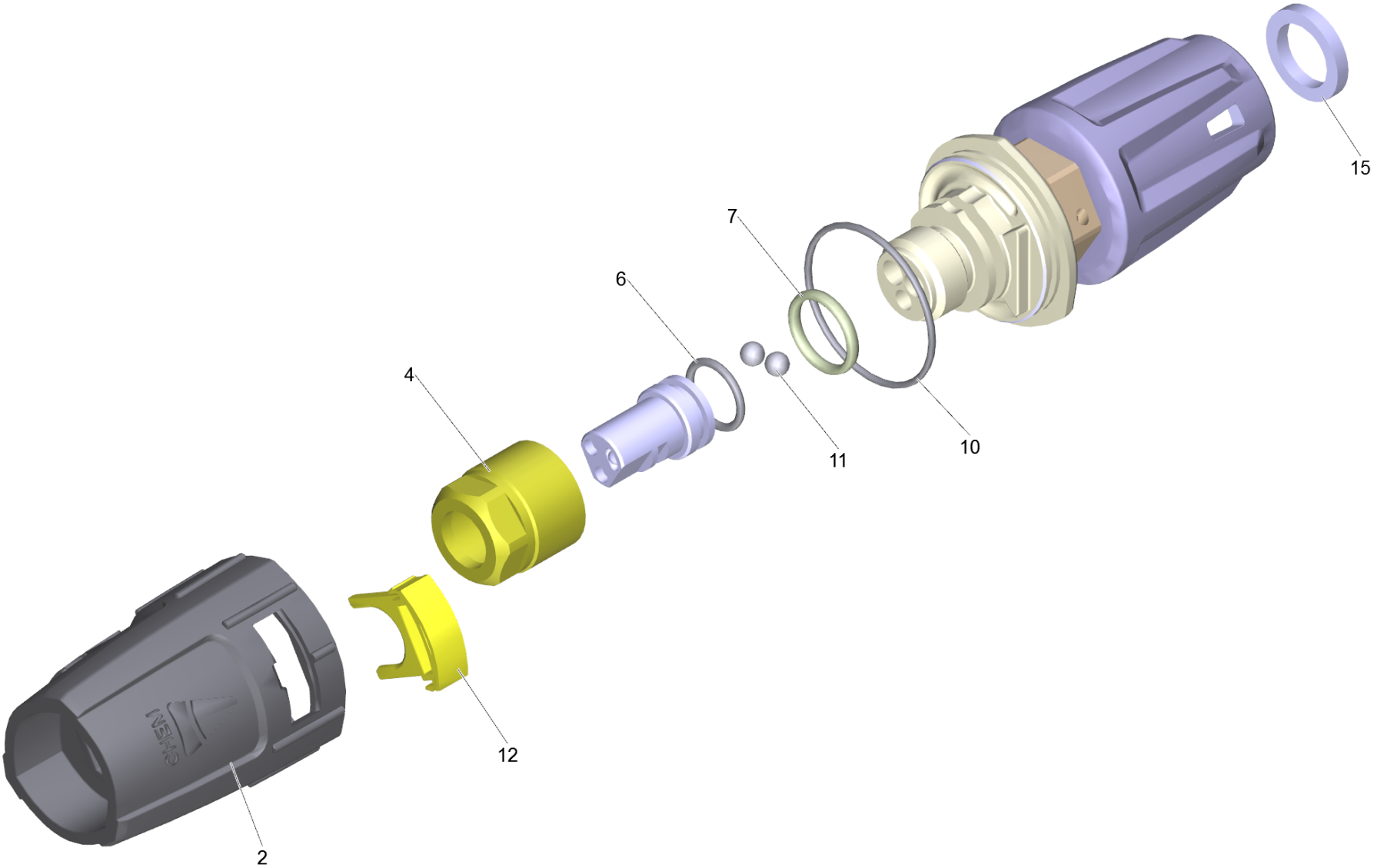


13 Circulation pump (4.540-133.0)

POS	Article no.	Description	Quantity	Unit
1	6.473-533.0	Admission pressure pump one-pole	1	ST
13	6.641-357.0	Cable gland PG11	1	ST

40 Triple jet nozzle TR 055 (4.117-039.0)

POS	Description	Quantity	Unit
1	Triple jet nozzle TR 055	1	ST



1 Triple jet nozzle TR 055

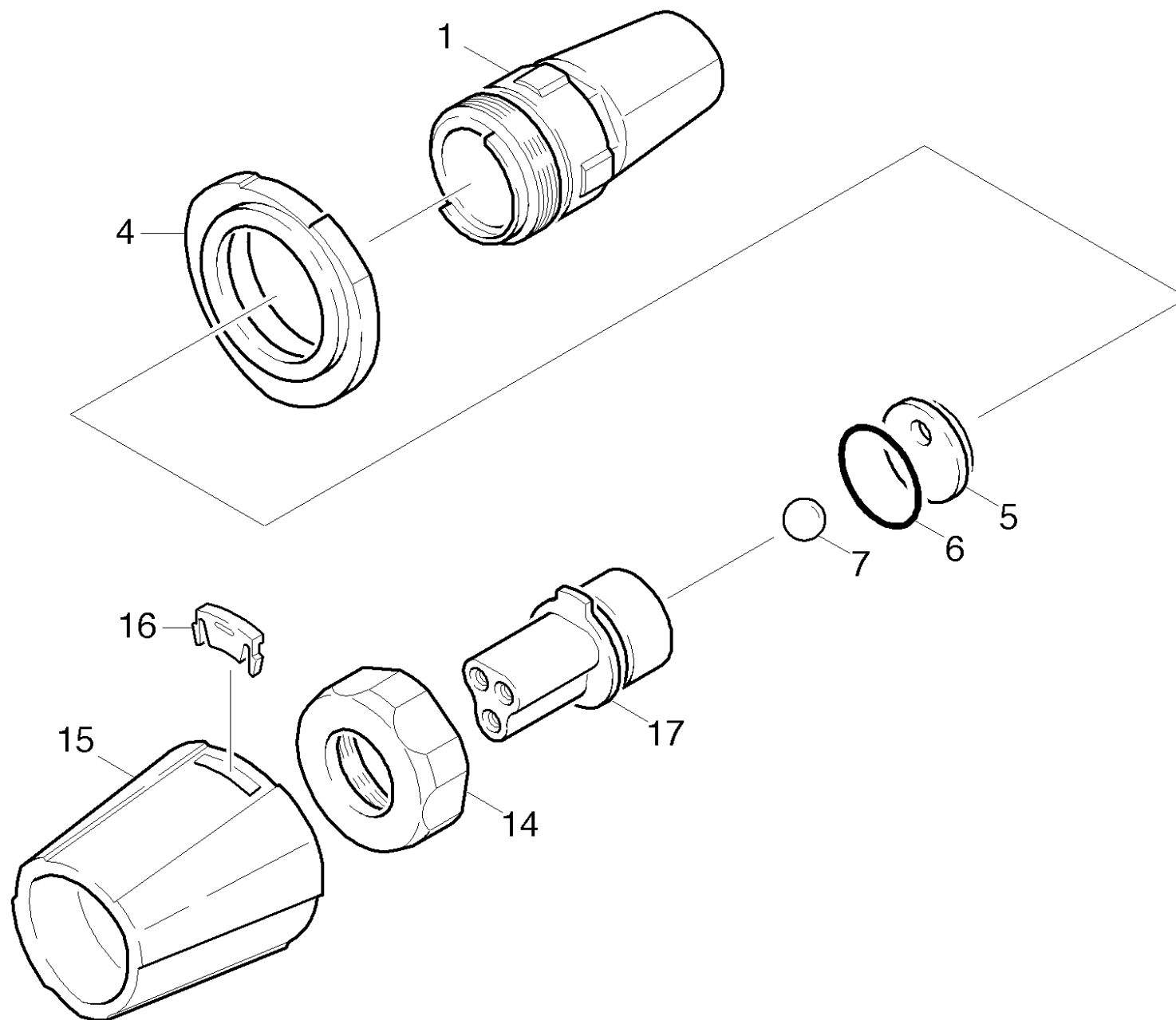
POS	Article no.	Description	Quantity	Unit
2	5.394-859.0	Protection part	1	ST
4	5.311-225.0	Nut	1	ST
6	6.362-480.0	O-Ring seal 12,42x 1,78	1	ST
7	6.362-460.0	O-Ring seal 14,0 X 2,5-NBR 70	1	ST
10	6.362-409.0	O-Ring seal 32,0 X 1,5	1	ST
11	7.401-902.0	Sphere 5 G20 -1.4034 DIN 5401	2	ST
12	5.321-884.0	Clamp	1	ST
15	6.363-696.0	Brake ring 14x20x3	1	ST

40 Triple jet nozzle 055 (4.767-066.0)

POS	Article no.	Description	Quantity	Unit
2	5.970-000.0	Spare parts list triple jet nozzle	1	ST
Item text2: 47670660				

2 Spare parts list triple jet nozzle (5.970-000.0)

POS	Description	Quantity	Unit
10	Triple jet nozzle	1	ST

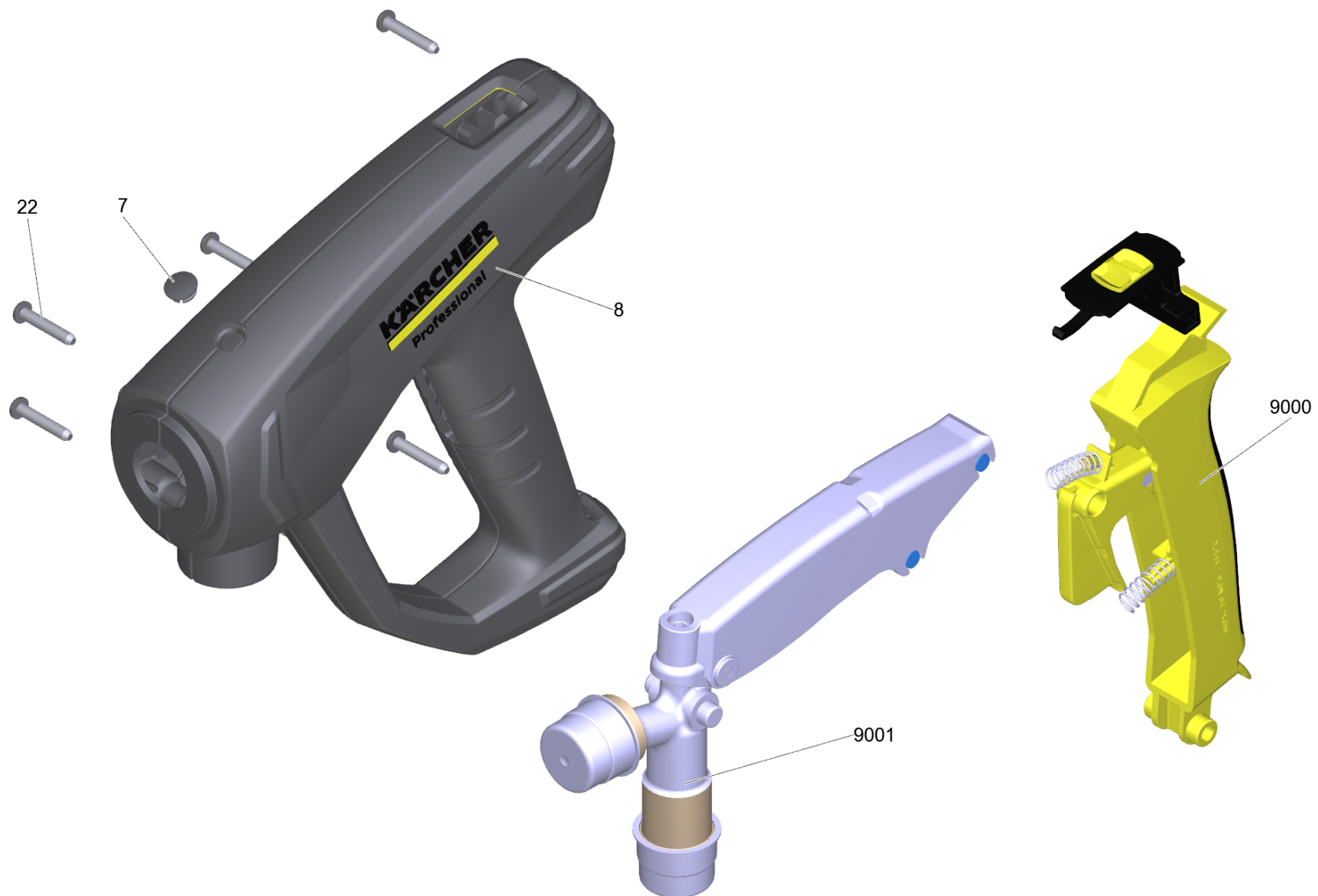


10 Triple jet nozzle

POS	Article no.	Description	Quantity	Unit	Remark
1	4.060-395.0	Housing complete only for replacement	1	ST	
4	5.394-401.0	Protection part	1	ST	
5	5.031-370.0	Moulded part	1	ST	
6	6.363-612.0	O-Ring seal 22 x 2 -NBR90	1	ST	
7	7.401-917.0	Sphere 10,0 G100-1.4301 DIN 5401	1	ST	
14	5.311-192.0	Union nut	1	ST	
15	5.394-402.0	Protection part	1	ST	
16	5.031-709.0	Moulded part	1	ST	
17	4.764-157.0	Nozzle holder 047	1	ST	4.767-064.0
17	4.764-158.0	Nozzle holder 05	1	ST	4.767-065.0
17	4.764-159.0	Nozzle holder 055	1	ST	4.767-066.0
17	4.764-161.0	Nozzle holder 08	1	ST	4.767-068.0
17	4.764-169.0	Nozzle holder 09	1	ST	4.767-075.0
17	4.764-173.0	Nozzle holder 0100	1	ST	4.767-106.0
17	7.777-999.0	Stockpiling discontinued	1	ST	4.767-067.0/-069.0

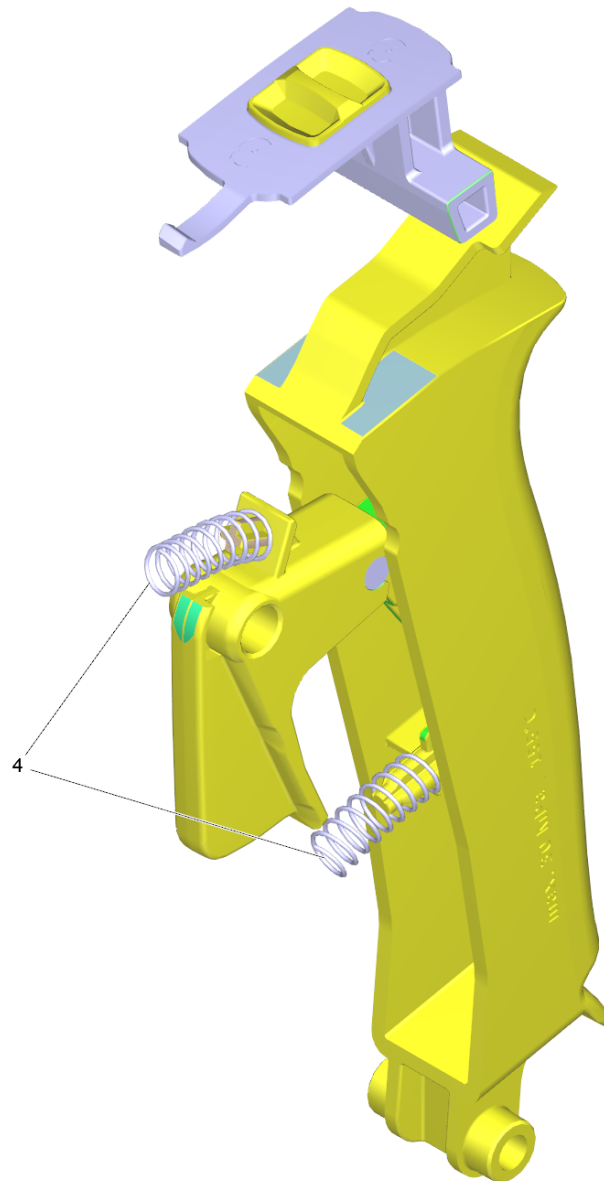
17 Nozzle holder 055 (4.764-159.0)

POS	Article no.	Description	Quantity	Unit
1	5.031-597.0	Rectifier	2	ST
	Item text2: 47641590			
7	6.362-661.0	O-Ring seal 5,0 X 1,0-NBR 80	3	ST
	Item text2: 47641590			
8	6.363-612.0	O-Ring seal 22 x 2 -NBR90	1	ST
	Item text2: 47641590			



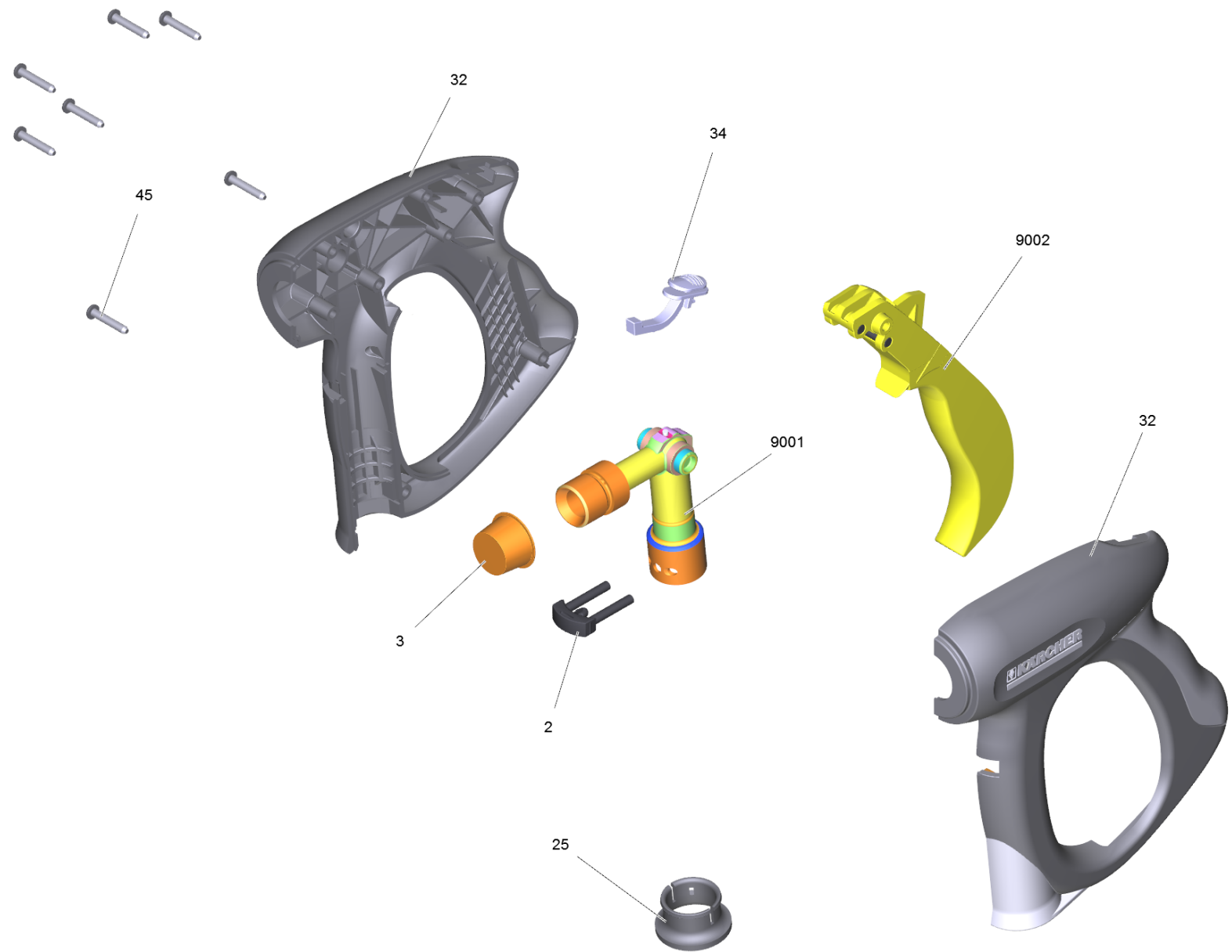
41 EASY!Force Advanced (4.118-005.0)

POS	Article no.	Description	Quantity	Unit
7	5.132-001.0	Plug	1	ST
8	5.321-136.3	Handhold few EH 155 only for replacement	1	ST
22	7.303-096.0	Screw 4x22 -ST-10.9-R2R (IN6RD)	7	ST
9000	2.885-483.0	Spare part set lever	1	ST
9001	4.427-014.0	Manifold TR EH 155 nur fuer Ersatz	1	ST



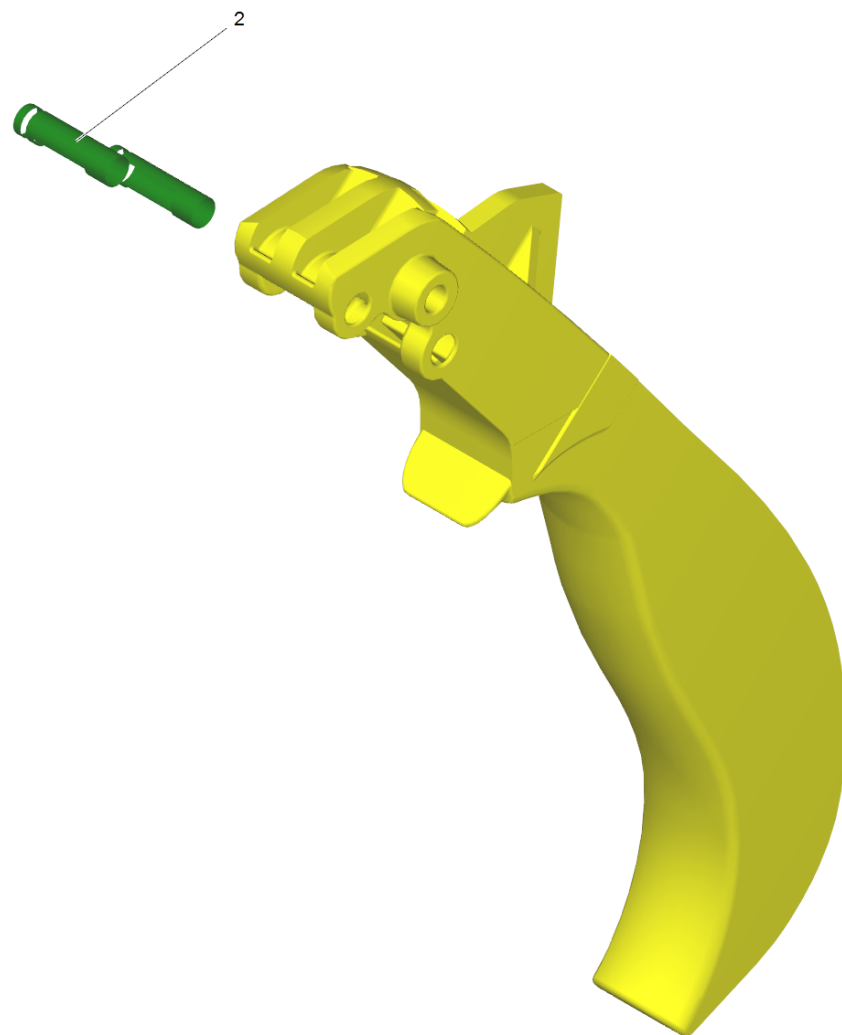
9000 Spare part set lever (2.885-483.0)

POS	Article no.	Description	Quantity	Unit
4	5.332-178.0	Helical spring	2	ST



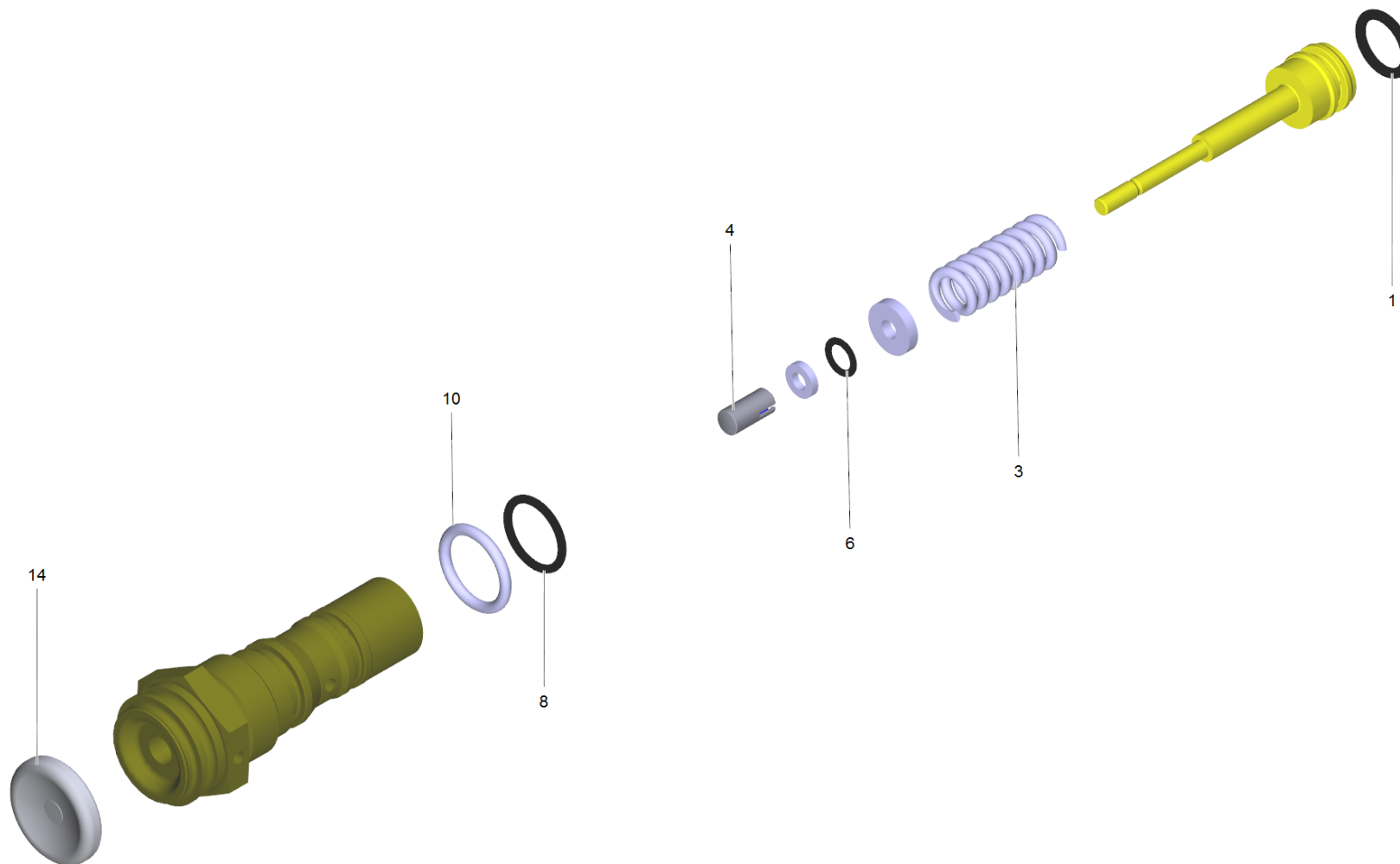
41 HAND TRIGGER GUN EASY PRESS (4.775-463.0)

POS	Article no.	Description	Quantity	Unit
2	4.037-013.0	Hook	1	ST
3	6.368-012.0	Protecting cap 22X1,5	1	ST
4	6.869-075.0	Metal bonding agent 1,5 ml	1	ST
cart_info_txt: This material is not available due to hazardous good regulation. Please procure this or a similar material from a local supplier of your choice.				
25	5.110-596.0	Sleeve	1	ST
32	5.321-669.3	Handhold few	1	ST
34	5.481-331.0	Slider	1	ST
45	7.303-096.0	Screw 4x22 -ST-10.9-R2R (IN6RD)	7	ST
1041	6.288-044.0	Silicon grease 100 G	1	ST
9001	4.427-215.0	Manifold complete only for replacement	1	ST
9002	4.481-209.0	Lever complete	1	ST



9002 Lever complete (4.481-209.0)

POS	Article no.	Description	Quantity	Unit
2	5.314-119.0	Pin	2	ST

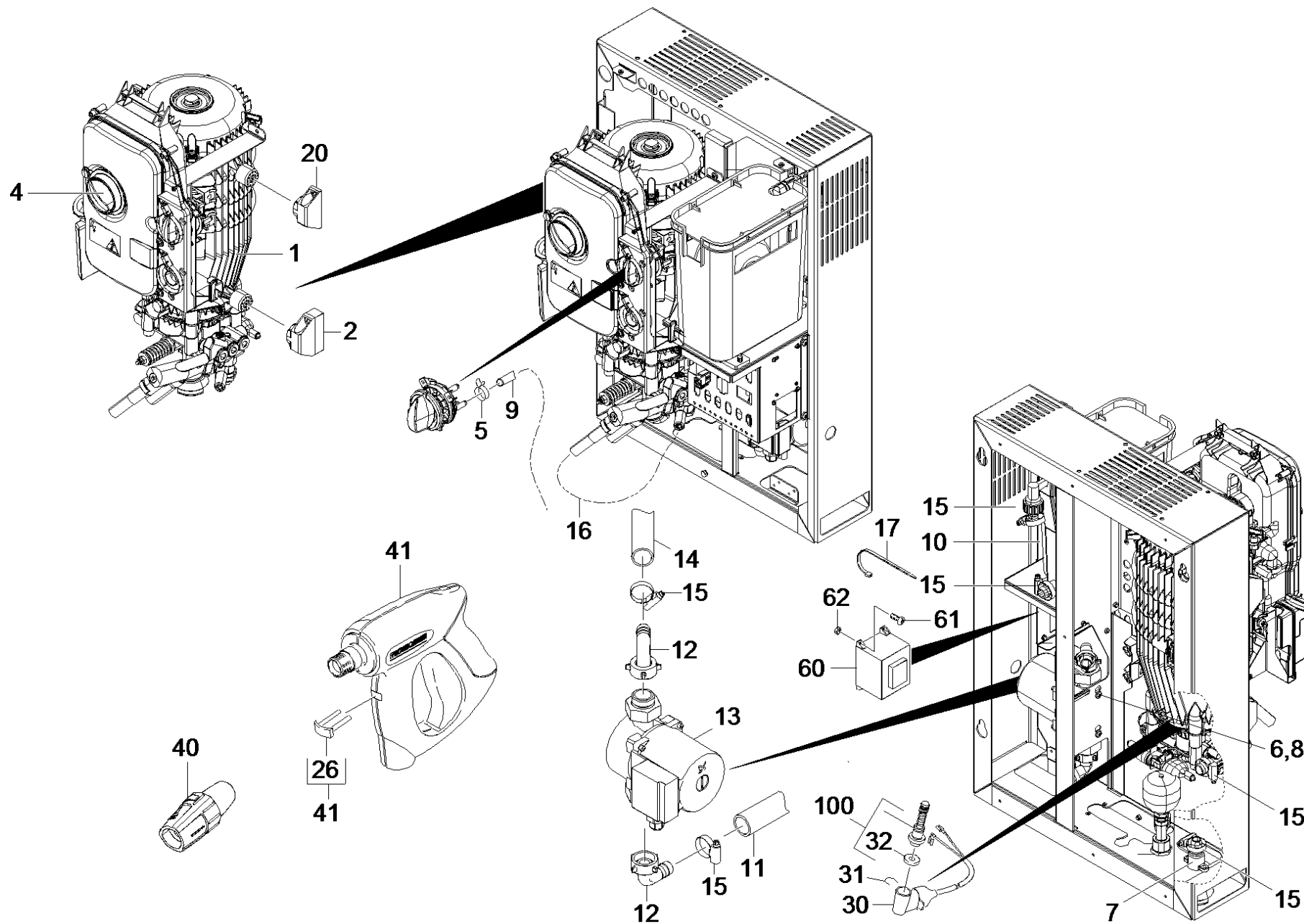


100 Spare part set control piston (2.885-226.0)

POS	Article no.	Description	Quantity	Unit
1	6.363-350.0	O-Ring seal 8.74x1.78	1	ST
3	5.332-511.0	Helical spring	1	ST
4	5.110-947.0	Sleeve	1	ST
6	6.363-330.0	O-Ring seal 2,9 x 1,78	1	ST
8	6.363-452.0	O-Ring seal 11 x 1,5	1	ST
10	6.363-519.0	O-Ring seal 12,00x 2,00	1	ST
14	5.367-030.0	Diaphragm	1	ST

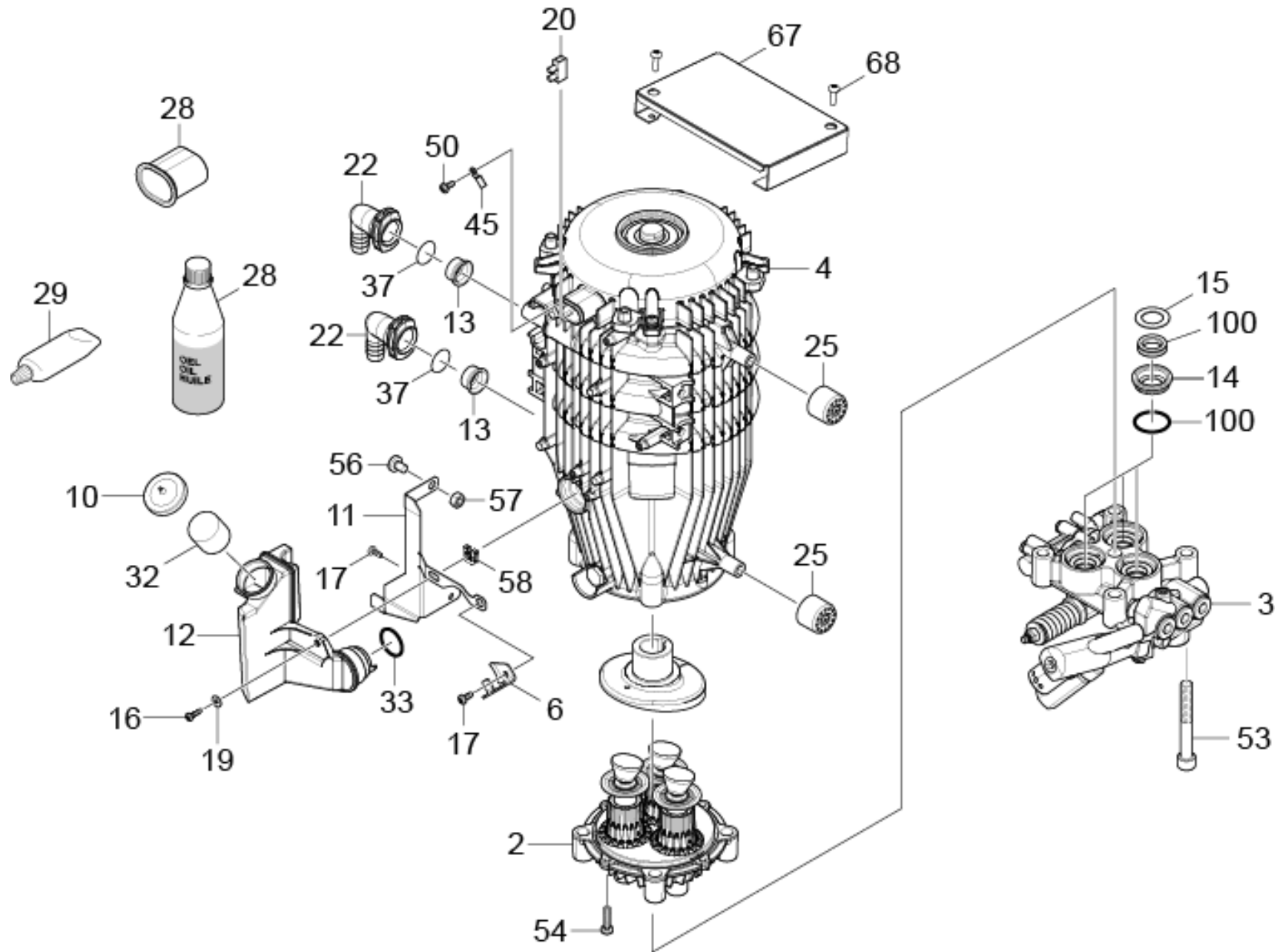
12 Pump set complete HD 13/12-4 ST-H 400V

POS	Article no.	Description	Quantity	Unit
10	2.532-007.3	Spare parts list pump set complete HD 13	1	ST



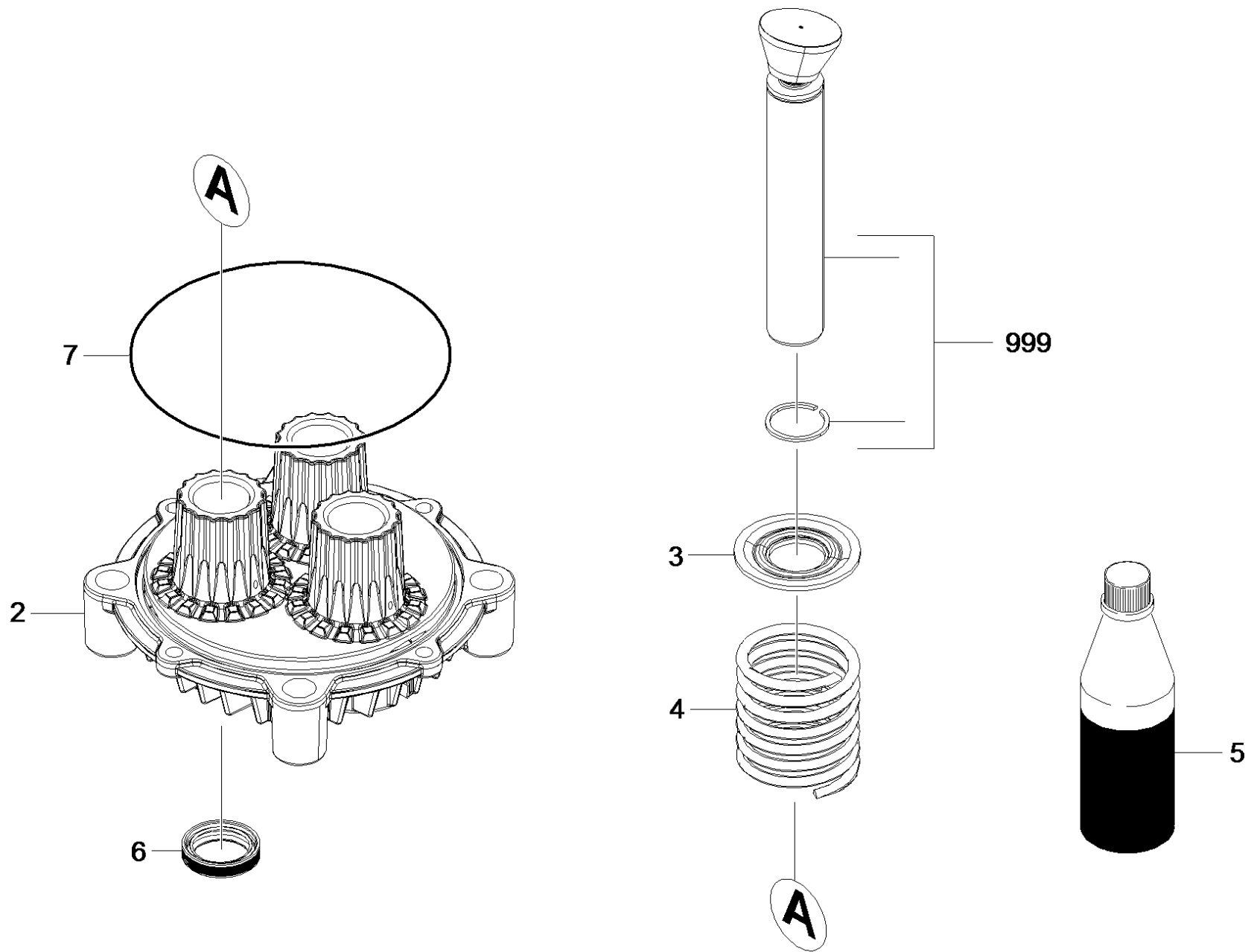
10 Spare parts list pump set complete HD 13 (2.532-007.3)

POS	Article no.	Description	Quantity	Unit	Remark
1		Pump set HD 13/12-4 ST-H 400V	1	ST	
2	5.044-998.0	Holder	2	ST	
4		Electric control box HD-ST 400V	1	ST	
5	6.390-133.0	Hose clip	2	ST	
6	7.306-190.0	Screw M6x8 -A2-70 (In6Rd)	2	ST	
7	5.427-432.0	Manifold	1	ST	
8	7.312-026.0	Washer 6 -A2 ISO 7089	2	ST	
9	6.388-247.0	Hose DN8 -PVC	0,44	M	
10	6.388-719.0	Hose DN17	0,57	M	
11	5.443-628.0	Hose	1	ST	
12	6.391-867.0	Elbow screw connector R1"	2	ST	
13	4.540-133.0	Circulation pump	1	ST	
14	6.388-293.0	Elbow hose	1	ST	
15	7.373-022.0	Hose clip A-16-27x9 -W2-2 DIN3017	6	ST	
16	6.391-990.0	Hose assembly DN8 40MPa 0,45m	1	ST	
17	6.641-465.0	Cable tape	1	ST	
20	5.044-891.0	Holder	2	ST	
26	4.037-013.0	Hook	1	ST	
30	4.744-242.0	Switch kpl. -nur für Ersatz-	1	ST	
31	5.034-494.0	Retaining bracket	1	ST	
32	5.367-030.0	Diaphragm	1	ST	
40	4.117-041.0	Triple jet nozzle TR 098	1	ST	1.524-950.2
40	4.767-205.0	Triple jet nozzle only for replacement 0	1	ST	1.524-500.2
41	4.118-005.0	EASY!Force Advanced	1	ST	1.524-950.2
41	4.775-463.0	HAND TRIGGER GUN EASY PRESS	1	ST	1.524-500.2
60	6.622-332.0	Control transformer 96VA - E178/40,5 380	1	ST	
61	7.306-058.0	Screw M 4X 12- 8.8-R2R K-IN6RD	4	ST	
62	7.311-569.0	Square nut M4 -04-A2E DIN 562	4	ST	
100	2.885-226.0	Spare part set control piston	1	ST	



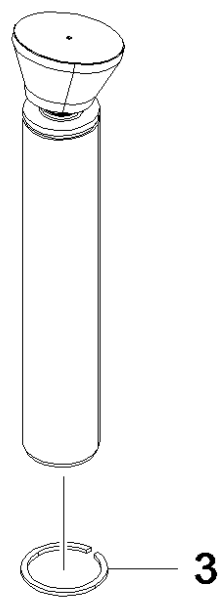
1 Pump set HD 13/12-4 ST-H 400V

POS	Article no.	Description	Quantity	Unit
2		Thrust guidance	1	ST
3		Cylinder head complete -H	1	ST
4	4.624-072.0	Motor complete only for replacement HD 1	1	ST
6	5.011-428.0	Plate bracket	1	ST
10	5.064-457.0	Cover plate qusty grey oil	1	ST
11	5.011-622.0	Plate holder oil tank	1	ST
12	5.070-831.0	Tank oil	1	ST
13	5.110-341.0	Sleeve	2	ST
14	5.112-870.0	Bush	3	ST
15	5.115-520.0	Washer	3	ST
16	7.306-208.0	Screw M 4x16-A2-70 (In6RD)	1	ST
17	7.303-038.0	Screw M5x12 -St-P2R (In6Rd)	2	ST
18	5.365-302.0	Profile gasket	1	ST
19	7.312-293.0	Washer 4-A2 ISO 7093-1	1	ST
20	6.643-151.0	Strip terminal one-pole 16mm ²	1	ZST
22	5.427-415.0	Manifold	2	ST
25	5.767-005.0	Rubber buffer	4	ST
28	6.288-016.0	Gear oil 1L	1	ST
29	6.288-044.0	Silicon grease 100 G	1	ST
32	5.132-187.0	Plug	1	ST
33	6.363-499.0	O-Ring seal 28,0x3,0	1	ST
37	6.363-455.0	O-Ring seal 17,5 x 3,5	2	ST
45	4.820-578.0	Cable green/yellow 1,5mm ² x450mm	1	ST
50	7.303-031.0	Screw M4x10 -St-P2R (In6Rd)	1	ST
53	7.306-430.0	Cylinder head screw M12x90- 10.9-A3K ISO 4762	4	ST
54	7.306-094.0	Screw M6x25 -8.8-R3R (In6Rd)	2	ST
56	7.311-068.0	Hexagon nut M 8-A2-70 ISO 4032	1	ST
57	7.306-223.0	Screw M8x12 -A2-70 (In6Rd)	1	ST
58	6.310-176.0	Putting nut M4	1	ST
67	5.010-082.0	Cover plate HD 10/25 Cage	1	ST
68	7.303-048.0	Screw M6x20 -St-R3R (In6Rd)	2	ST
100	2.885-319.0	Pump set HD 13/12-4 ST-H	1	ST



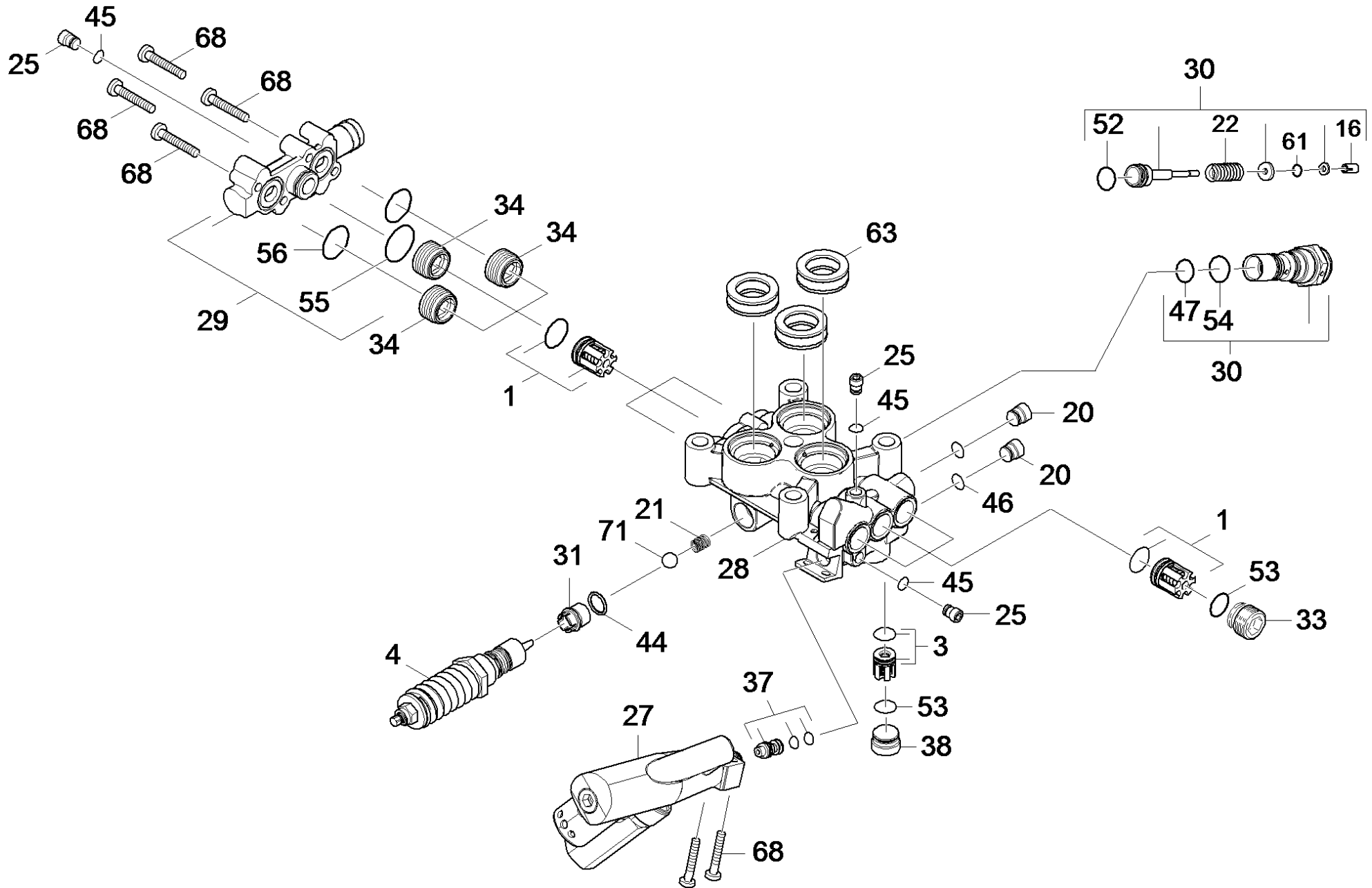
2 Thrust guidance

POS	Article no.	Description	Quantity	Unit
2	5.060-954.3	Thrust guidance D22	1	ST
3	5.116-065.0	Washer D22	3	ST
4	5.332-187.0	Helical spring	3	ST
5	6.288-016.0	Gear oil 1L	1	ST
6		Part at pump set	1	ST
7		Part at pump set	1	ST
999	4.553-280.0	Piston complete only for replacement	3	ST



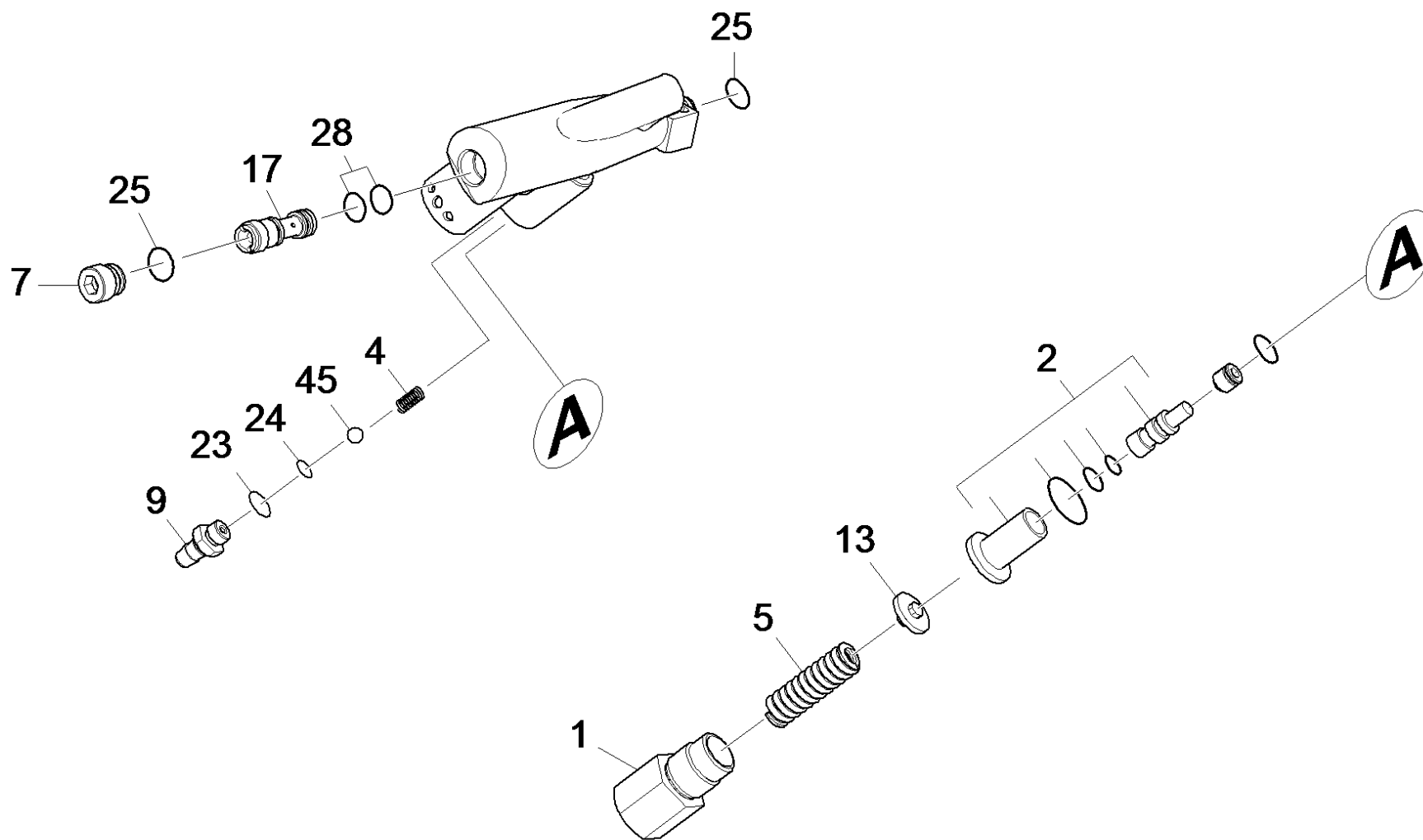
999 Piston complete only for replacement (4.553-280.0)

POS	Article no.	Description	Quantity	Unit
3	6.343-142.0	Snap ring WR 22	1	ST



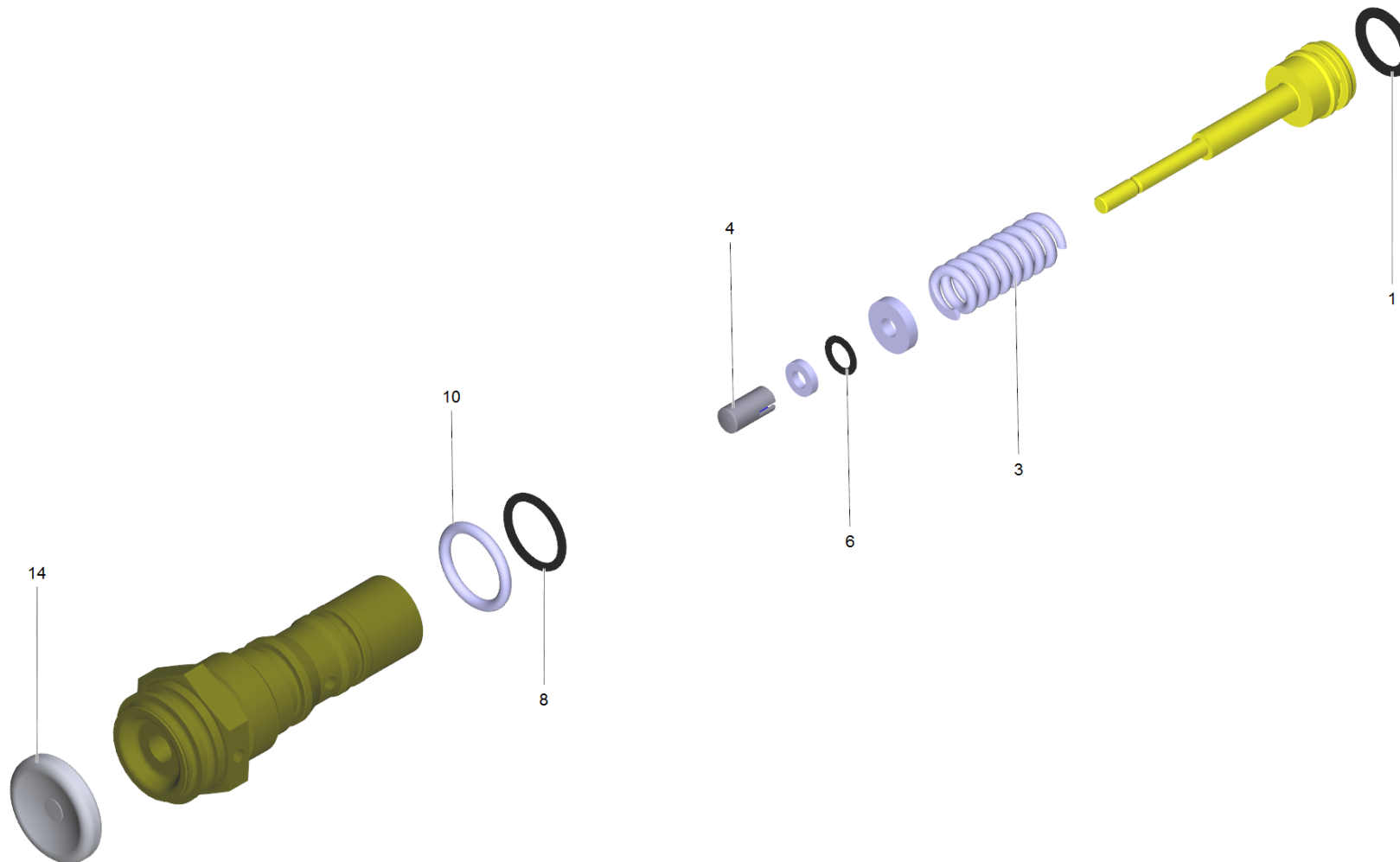
3 Cylinder head complete -H

POS	Article no.	Description	Quantity	Unit
1		Part at pump set	1	ST
3		Part at pump set	1	ST
4	2.885-238.0	Spare part set overflow valve	1	ST
16	5.110-947.0	Sleeve	1	ST
20	5.411-152.0	Screw plug	3	ST
21	5.332-999.0	Helical spring	1	ST
22	5.332-511.0	Helical spring	1	ST
25	5.411-161.0	CLOSING SCREW M10X1	2	ST
27	4.591-063.0	Overflow valve complete	1	ST
28	5.550-367.0	Cylinder head HD 13/12-4 ST	1	ST
29	2.885-233.0	Manifold low-pressure intake	1	ST
30	2.885-226.0	Spare part set control piston	1	ST
31	5.581-270.0	Valve seat	1	ST
33	5.583-146.3	Valve screw	3	ST
34	5.583-180.0	Valve screw M20x1	3	ST
37	2.885-231.0	Spare part set nozzle insert only for re	1	ST
38	5.411-166.0	CLOSING SCREW	1	ST
44	6.363-485.0	O-Ring seal 10x 2 mm HNBR Shore 80	1	ST
45		Part at pump set	1	ST
46		Part at pump set	1	ST
47	6.363-452.0	O-Ring seal 11 x 1,5	1	ST
52	6.363-350.0	O-Ring seal 8.74x1.78	1	ST
53		Part at pump set	1	ST
54	6.363-519.0	O-Ring seal 12,00x 2,00	1	ST
55		Part at pump set	1	ST
56		Part at pump set	1	ST
61	6.363-330.0	O-Ring seal 2,9 x 1,78	1	ST
63		Part at pump set	1	ST
68	7.306-118.0	Screw M 6x35 -8.8-R3R (In6Rd)	6	ST
71	7.401-910.0	Sphere 3/8 G80-1.4034 DIN 5401	1	ST



27 Overflow valve complete (4.591-063.0)

POS	Article no.	Description	Quantity	Unit
1	5.304-114.0	Hexagonal head screw bush	1	ST
2	2.885-232.0	Wearing parts set	1	ST
4	5.332-258.0	Helical spring	1	ST
5	5.332-444.0	Helical spring	1	ST
7	5.411-168.0	Valve screw M16x1	1	ST
9	5.443-370.0	Nipple	1	ST
13	5.584-169.0	Valve pin	1	ST
17	5.769-227.0	Nozzle insert	1	ST
23	6.363-496.0	O-Ring seal 7,0x2,0	1	ST
24	6.363-489.0	O-Ring seal 5,28x1,78	1	ST
25	6.363-485.0	O-Ring seal 10x 2 mm HNBR Shore 80	2	ST
28	6.363-331.0	O-Ring seal 9,0 x 1,5	2	ST
45	7.401-908.0	Sphere 7 G300 -1.4301 DIN 5401	1	ST

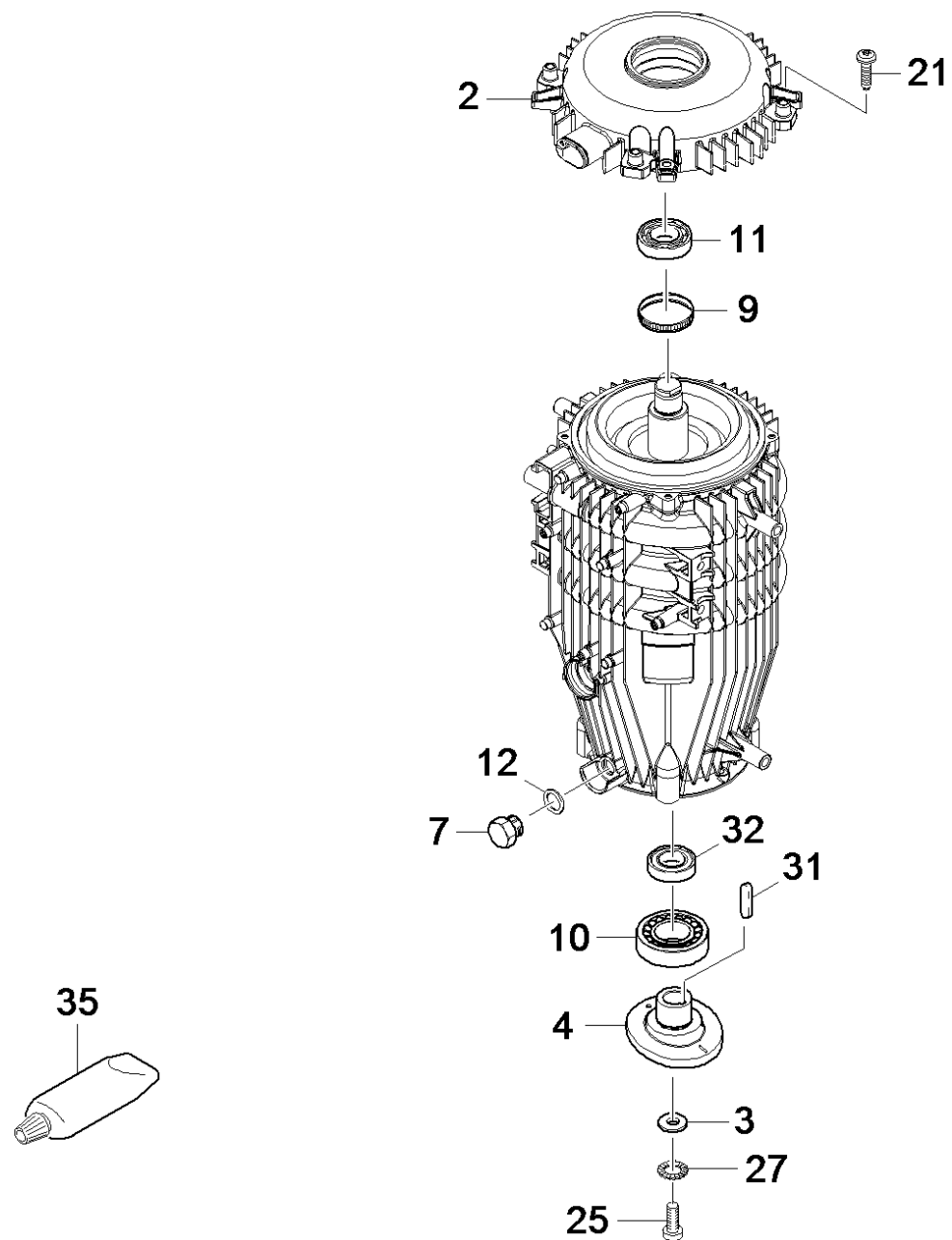


30 Spare part set control piston (2.885-226.0)

POS	Article no.	Description	Quantity	Unit
1	6.363-350.0	O-Ring seal 8.74x1.78	1	ST
3	5.332-511.0	Helical spring	1	ST
4	5.110-947.0	Sleeve	1	ST
6	6.363-330.0	O-Ring seal 2,9 x 1,78	1	ST
8	6.363-452.0	O-Ring seal 11 x 1,5	1	ST
10	6.363-519.0	O-Ring seal 12,00x 2,00	1	ST
14	5.367-030.0	Diaphragm	1	ST

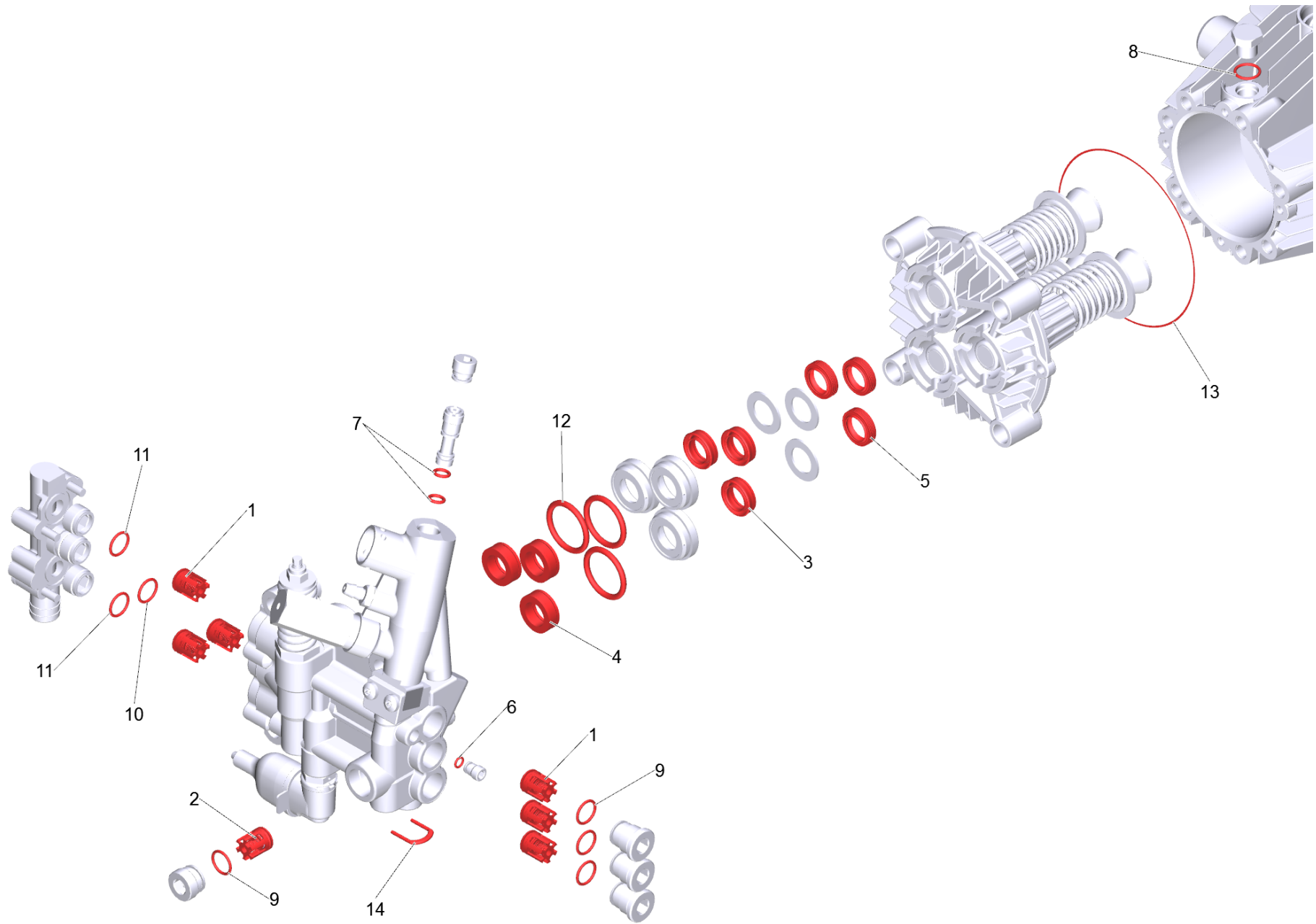
4 Motor complete only for replacement HD 1 (4.624-072.0)

POS	Description	Quantity	Unit
1	Motor complete HD 13/12-4ST 400V	1	ST



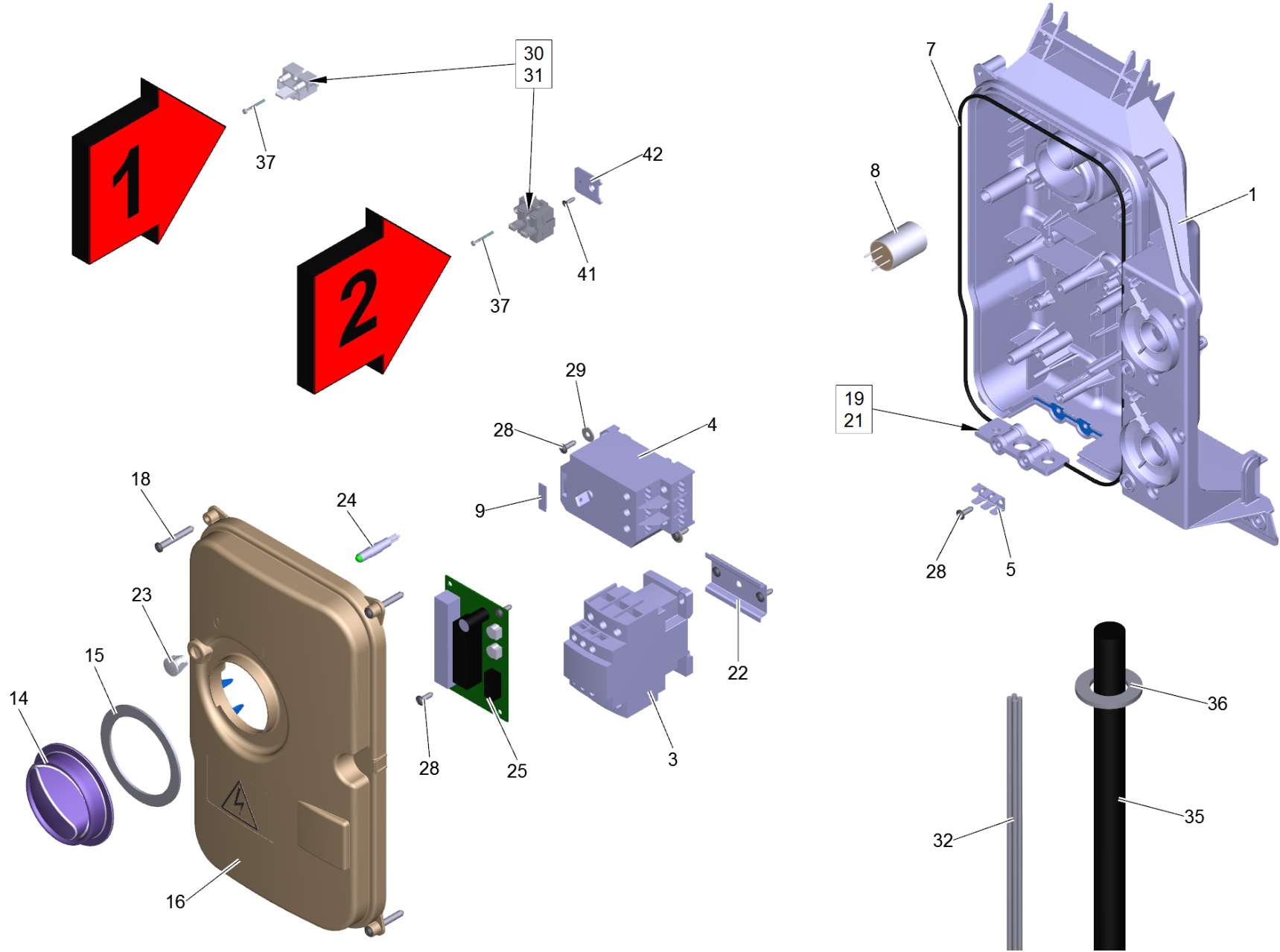
1 Motor complete HD 13/12-4ST 400V

POS	Article no.	Description	Quantity	Unit
2	5.064-006.0	Bearing cover B	1	ST
3	5.115-565.0	Washer	1	ST
4	5.120-353.3	Wobble plate	1	ST
7	5.411-100.0	Screw plug	1	ST
9	6.343-010.0	Tolerance ring 62x10	1	ST
10	6.401-225.3	Taper roller bearing 41	1	ST
11	6.401-253.0	Ball bearing 6305-2Z	1	ST
12	6.363-498.0	O-Ring seal 11,0x2,0 HNBR	1	ST
21	6.303-515.0	Self-tapping screw M6x25	4	ST
25	7.306-041.0	Cylinder head screw M8x20 -8.8-A2E ISO	1	ST
27	7.312-159.0	Toothed lock washer A8,4-FST-PH DIN 679	1	ST
31	7.318-035.0	Parallel key 8x7x25 -C45K DIN 6885-1	1	ST
32	7.367-012.0	Radial shaft seal ring A35x52x7 -FKM DIN	1	ST
35	6.288-044.0	Silicon grease 100 G	1	ST



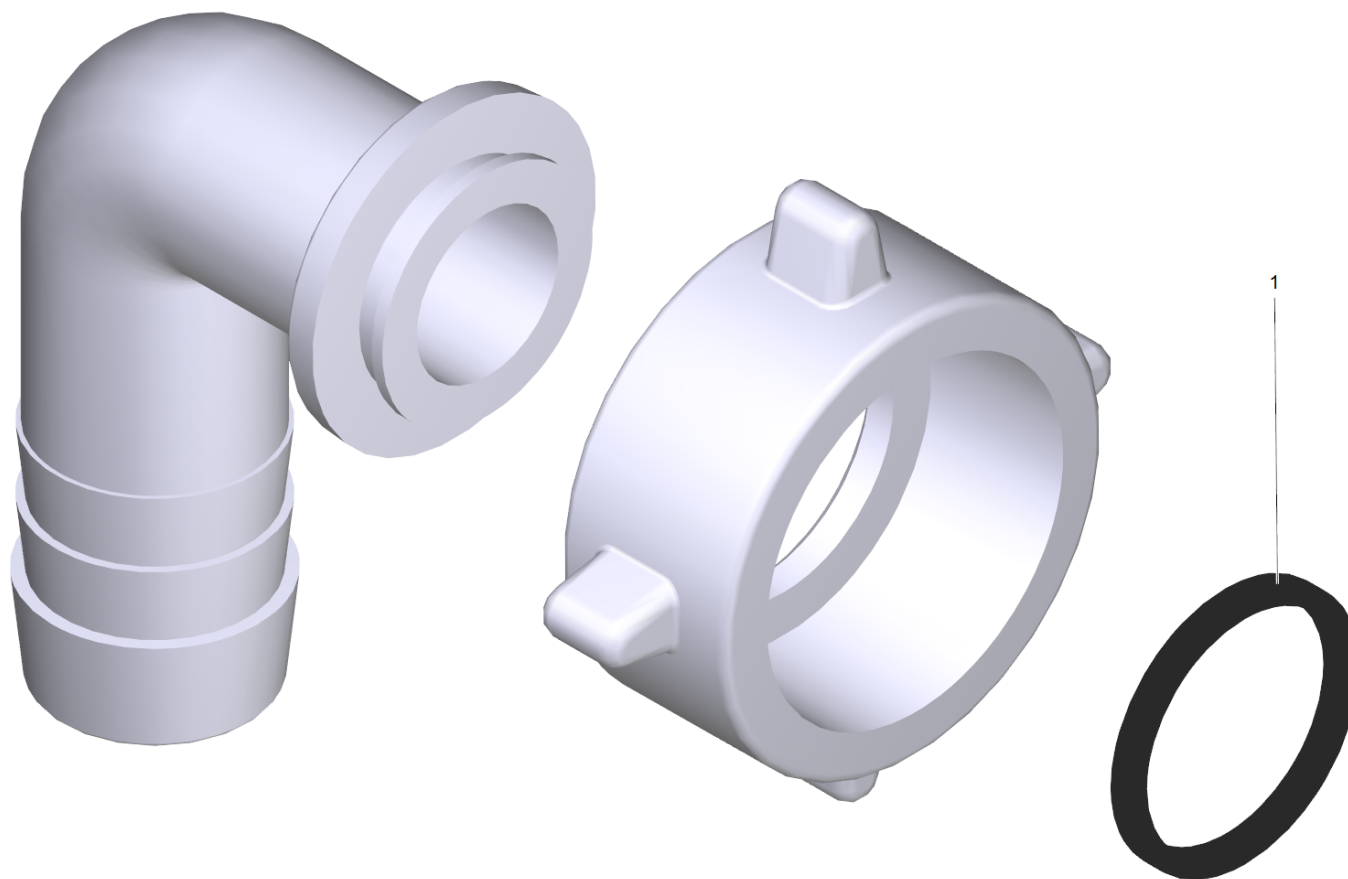
100 Pump set HD 13/12-4 ST-H (2.885-319.0)

POS	Article no.	Description	Quantity	Unit
1	2.885-229.0	Valve only for replacement	2	ST
2	4.580-734.0	Valve complete	1	ST
3	2.885-253.0	Set of gaskets ND PTFE (3x)	1	ST
4	2.885-234.0	Set of gaskets high pressure (3 Stueck)	1	ST
5	6.365-422.0	Grooved ring 22X30X7/6	3	ST
6	6.363-543.0	O-Ring seal 6,0 x 1,5 HNBR 70 Shore	3	ST
7	6.363-331.0	O-Ring seal 9,0 x 1,5	2	ST
8	6.363-498.0	O-Ring seal 11,0x2,0 HNBR	1	ST
9	6.363-459.0	O-Ring seal 14 x 2	4	ST
10	6.363-542.0	O-Ring seal 16,0 x 2,0 HNBR 70 Shore	1	ST
11	6.363-541.0	O-Ring seal 21 x 1,78 HNBR 70 Shore	2	ST
12	6.363-545.0	O-Ring seal 36,0 x 2,0 HNBR 70 Shore	3	ST
13	6.363-544.0	O-Ring seal 114,0 x 3,0 HNBR 70 Shore	1	ST
14	5.034-494.0	Retaining bracket	1	ST
15	6.288-072.0	Silicon grease	1	ST



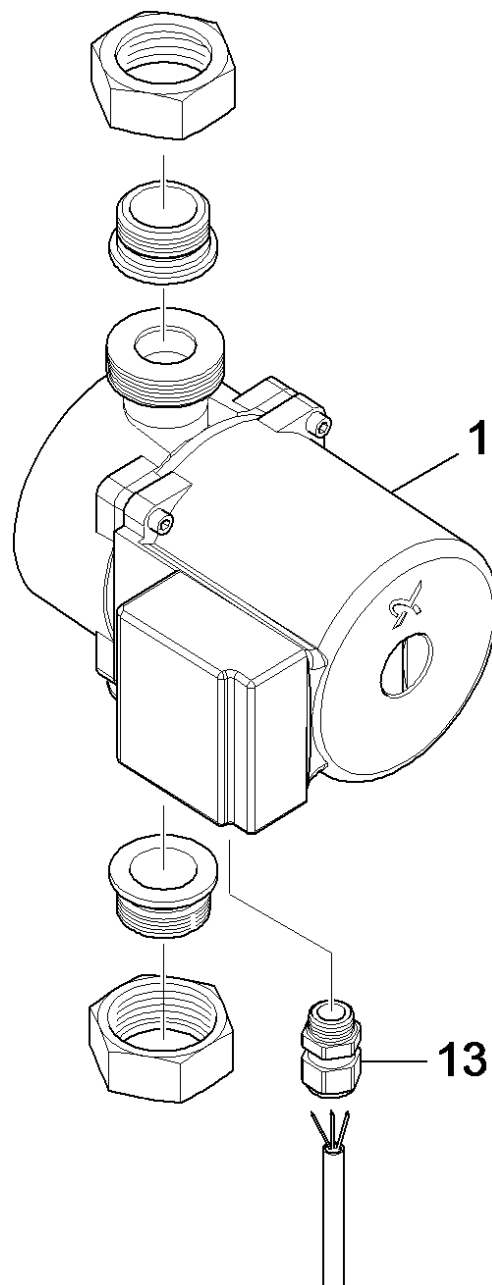
4 Electric control box HD-ST 400V

POS	Article no.	Description	Quantity	Unit	Foot note text
1	5.062-336.0	Housing electric control box	1	ST	
3	6.632-356.0	Contactor LC1-D18 B7	1	ST	
4	6.631-190.0	Motor protecting switch	1	ST	
5	6.641-270.0	Plug	1	ST	
7	6.273-037.0	Seal string cellular rubber 3	0,8	M	
8	6.661-302.0	Interference suppressor triple-pole	1	ST	
9	6.630-049.0	Cap	1	ST	
10	4.820-476.0	Cable black 2,5mm ² x250mm	3	ST	
14	5.321-692.0	Handle	1	ST	
15	5.363-616.0	Joint ring	1	ST	
16	5.064-413.0	Cover electric control box	1	ST	
18	7.303-085.0	Screw 4x 35 -10.9-R2R (K-In6Rd)	4	ST	
19	5.263-101.0	Tensioning part 10.5/14/7	2	ST	
20	6.641-463.0	Cable tape	4	ST	
21		Sheet metal screw ST3,9x45 -St-A2K-C-H I	2	ST	
22	5.802-261.0	Mounting part	1	ST	
23	6.651-506.0	Lens housing	1	ST	
24	6.651-505.0	Pilot lamp	1	ST	
25	6.984-610.0	Circuit board control system HD-ST	1	ST	
27	4.820-793.0	Cable brown 1,0mm ² x200mm	2	ST	
28	7.303-106.0	Screw 4x12 -10.9-R2R (IN6RD)	7	ST	
29	7.312-281.0	Washer 4 -200HV-A2E ISO7093-1	2	ST	
30	6.643-336.0	Strip terminal	2	ST	VERSION 1
30	6.643-471.0	Strip terminal with fuse	2	ST	VERSION 2
31	6.644-070.0	Fuse insert medium time-lag G-5,0A	2	ST	
32	6.649-844.0	Cable harness HD-ST	1	ST	
35	6.649-442.0	Cable with plug	1	ST	
36	7.312-098.0	Washer 27 -PA6.6-Natur ISO 7089	1	ST	
37	6.303-245.0	Cylinder head screw 3X18-ST-A2E	1	ST	VERSION 1
37	7.306-045.0	Screw M2x20 -4.8-A2K DIN 84	1	ST	VERSION 2
40	6.642-043.0	Insulating hose 10	0,36	M	
41	7.303-119.0	Countersunk screw 3x10 -10.9-R2R (In6Rd)	1	ST	VERSION 2
42	5.013-470.0	Plate clamp	1	ST	VERSION 2



12 Elbow screw connector R1" (6.391-867.0)

POS	Article no.	Description	Quantity	Unit
1	6.362-358.0	Seal	1	ST



13 Circulation pump (4.540-133.0)

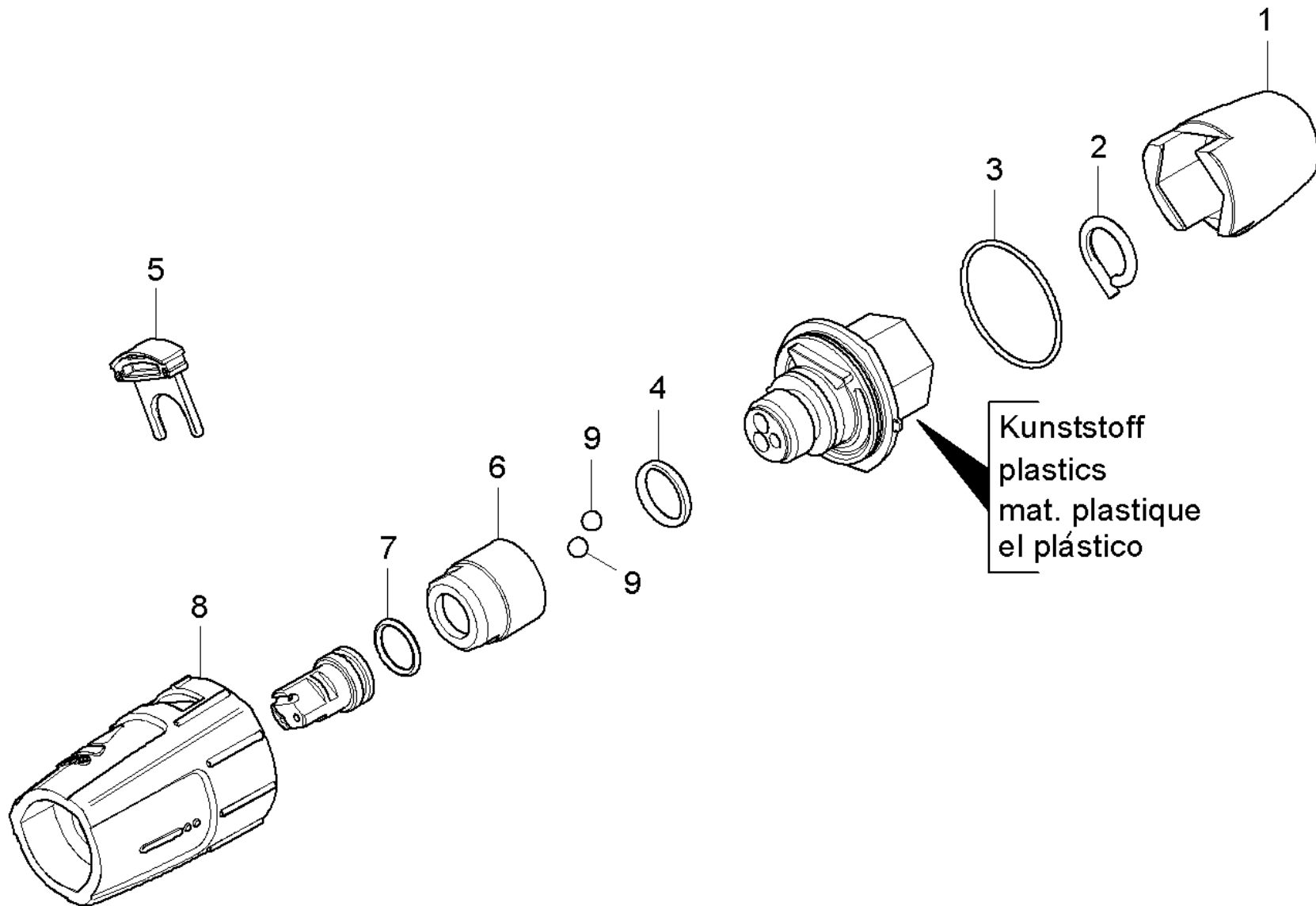
POS	Article no.	Description	Quantity	Unit
1	6.473-533.0	Admission pressure pump one-pole	1	ST
13	6.641-357.0	Cable gland PG11	1	ST

40 Triple jet nozzle only for replacement 0 (4.767-205.0)

POS	Article no.	Description	Quantity	Unit
2	5.970-837.0	Spare parts list triple jet nozzle	1	ST

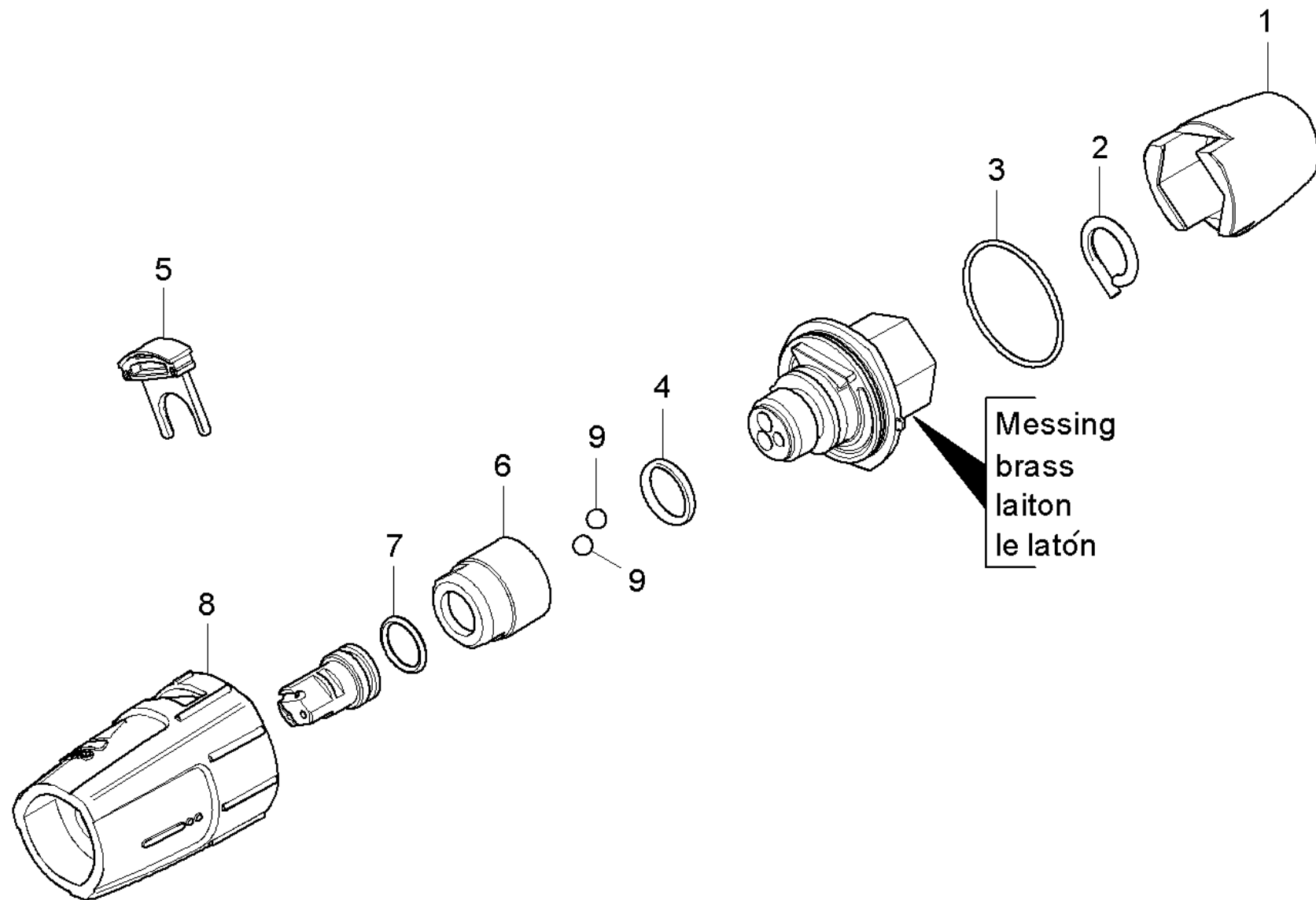
2 Spare parts list triple jet nozzle (5.970-837.0)

POS	Description	Quantity	Unit
10	Triple jet nozzle plastics	1	ST
20	Triple jet nozzle brass	1	ST



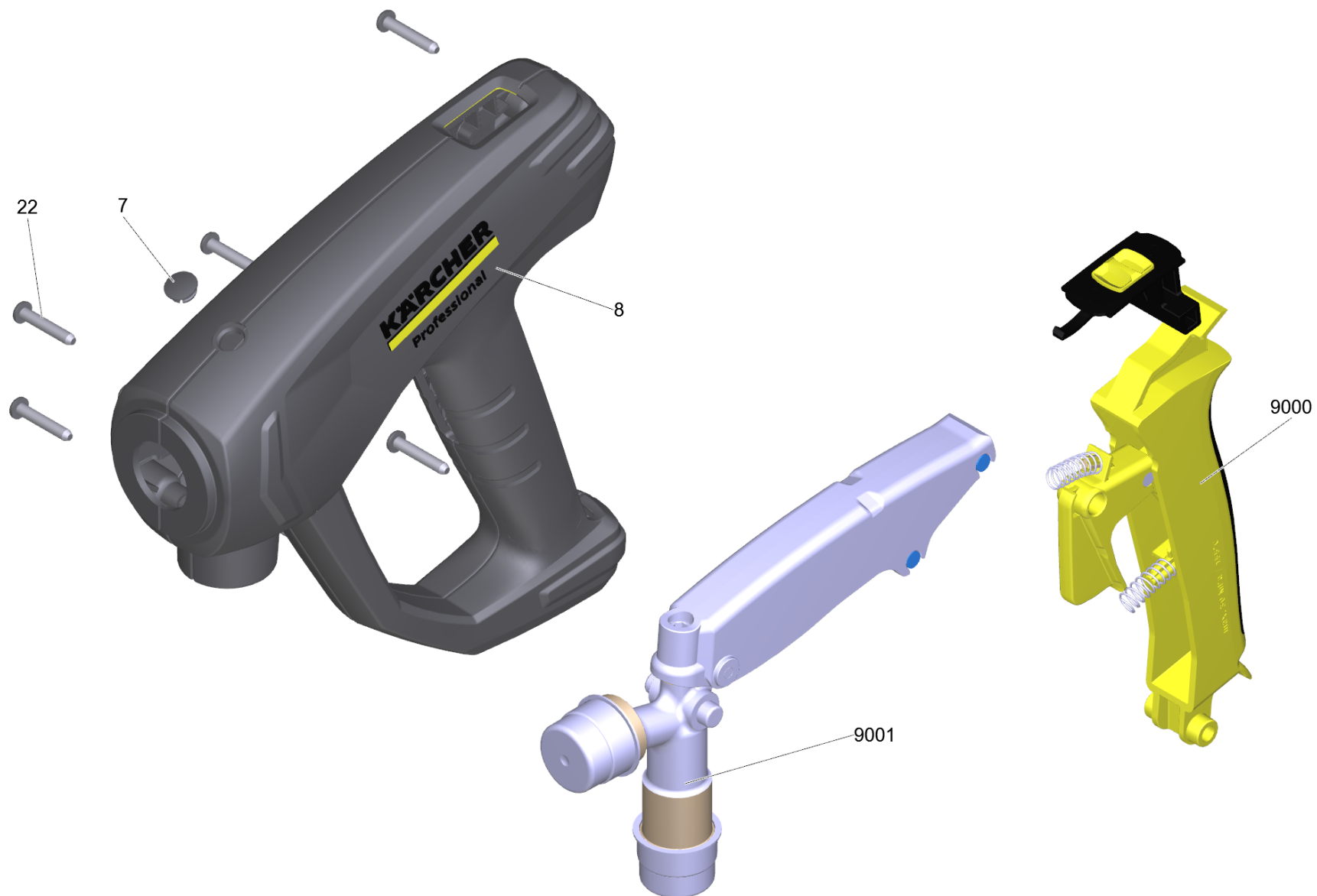
10 Triple jet nozzle plastics

POS	Article no.	Description	Quantity	Unit
1	5.394-530.0	Protection part complete	1	ST
2	6.343-150.0	Pin 03	1	ST
3	6.362-409.0	O-Ring seal 32,0 X 1,5	1	ST
4	7.362-039.0	O-Ring seal 15,5x1,5 -NBR70 DIN 3771	1	ST
5	5.321-884.0	Clamp	1	ST
6	5.311-236.0	Nut	1	ST
7	6.362-480.0	O-Ring seal 12,42x 1,78	1	ST
8	5.394-874.0	Protection part	1	ST
9	7.401-902.0	Sphere 5 G20 -1.4034 DIN 5401	2	ST



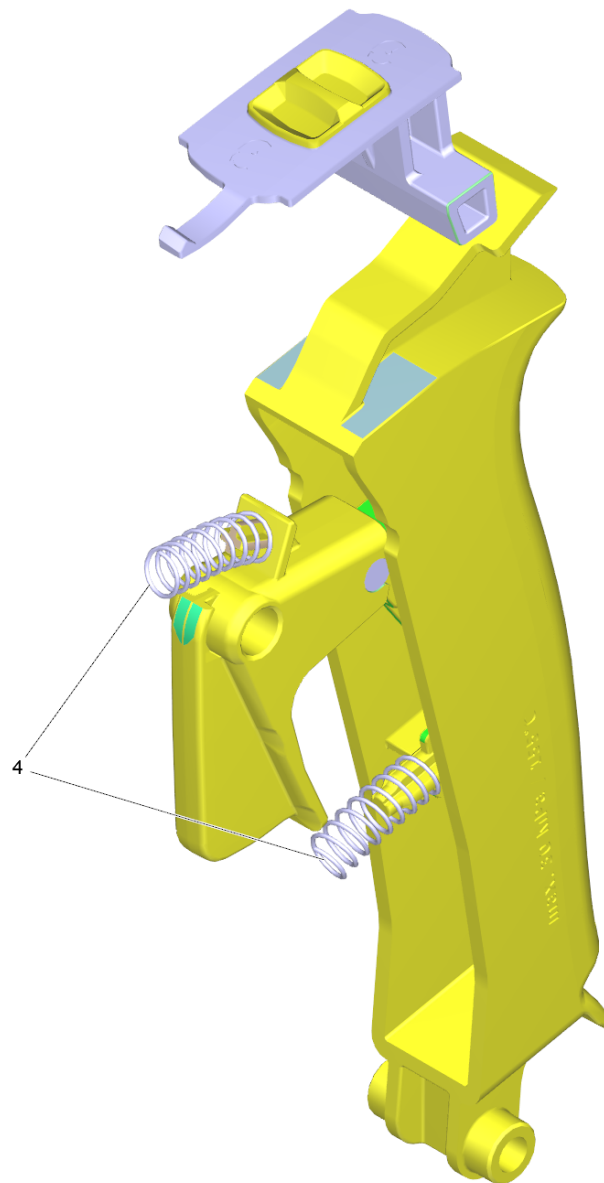
20 Triple jet nozzle brass

POS	Article no.	Description	Quantity	Unit
1	5.394-530.0	Protection part complete	1	ST
2	6.343-150.0	Pin 03	1	ST
3	6.362-409.0	O-Ring seal 32,0 X 1,5	1	ST
4	6.362-460.0	O-Ring seal 14,0 X 2,5-NBR 70	1	ST
5	5.321-884.0	Clamp	1	ST
6	5.311-225.0	Nut	1	ST
7	6.362-480.0	O-Ring seal 12,42x 1,78	1	ST
8	5.394-859.0	Protection part	1	ST
9	7.401-902.0	Sphere 5 G20 -1.4034 DIN 5401	2	ST



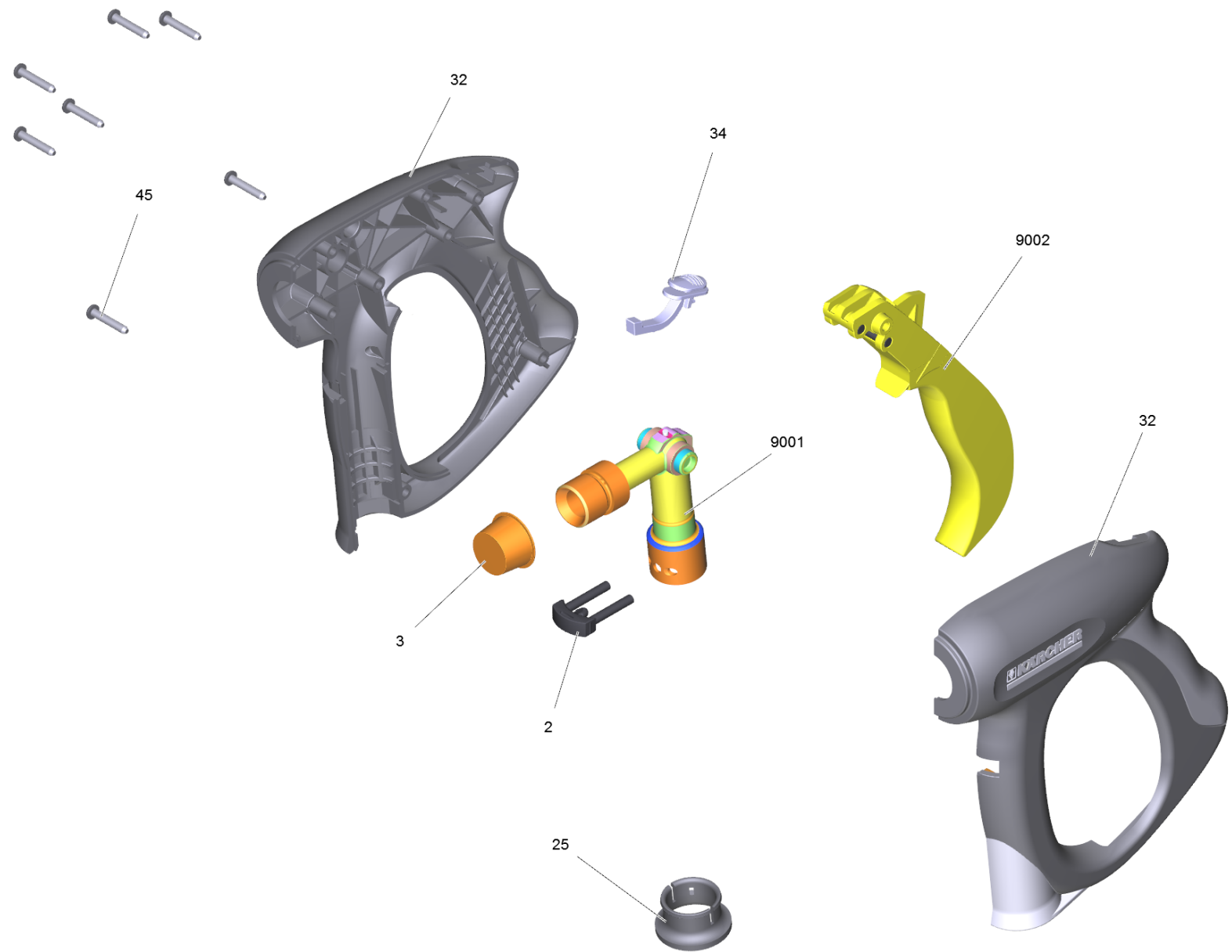
41 EASY!Force Advanced (4.118-005.0)

POS	Article no.	Description	Quantity	Unit
7	5.132-001.0	Plug	1	ST
8	5.321-136.3	Handhold few EH 155 only for replacement	1	ST
22	7.303-096.0	Screw 4x22 -ST-10.9-R2R (IN6RD)	7	ST
9000	2.885-483.0	Spare part set lever	1	ST
9001	4.427-014.0	Manifold TR EH 155 nur fuer Ersatz	1	ST



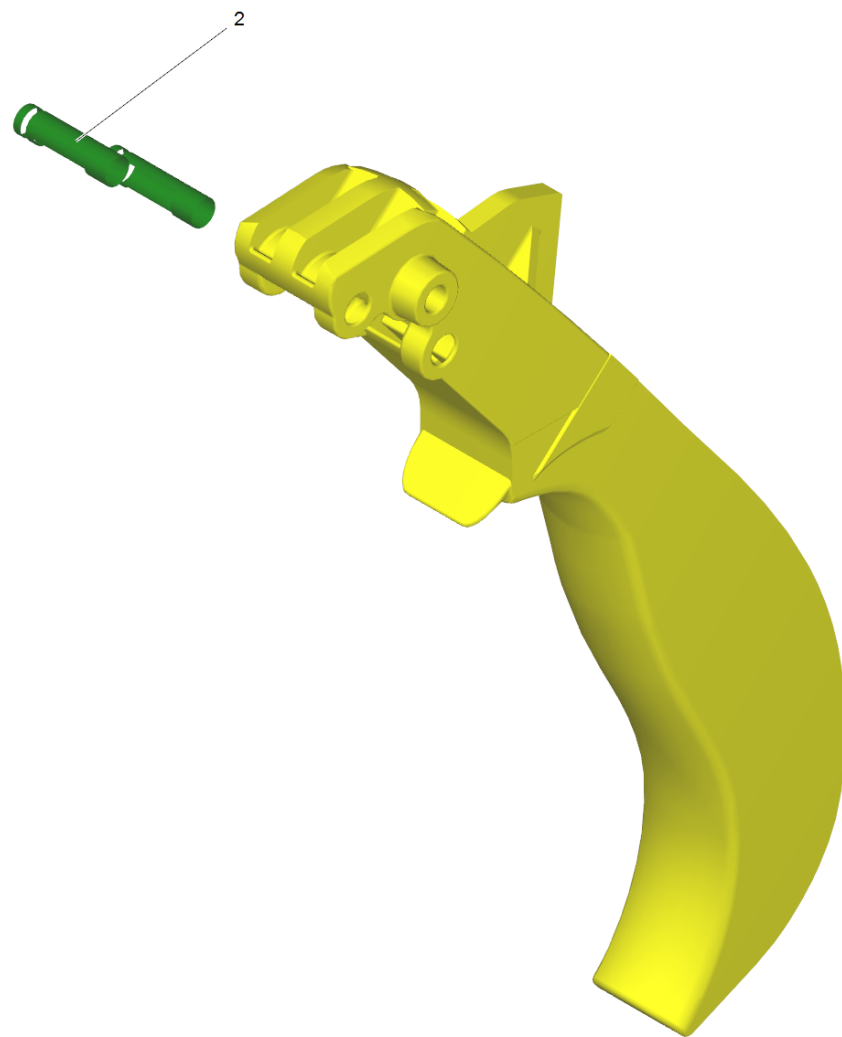
9000 Spare part set lever (2.885-483.0)

POS	Article no.	Description	Quantity	Unit
4	5.332-178.0	Helical spring	2	ST



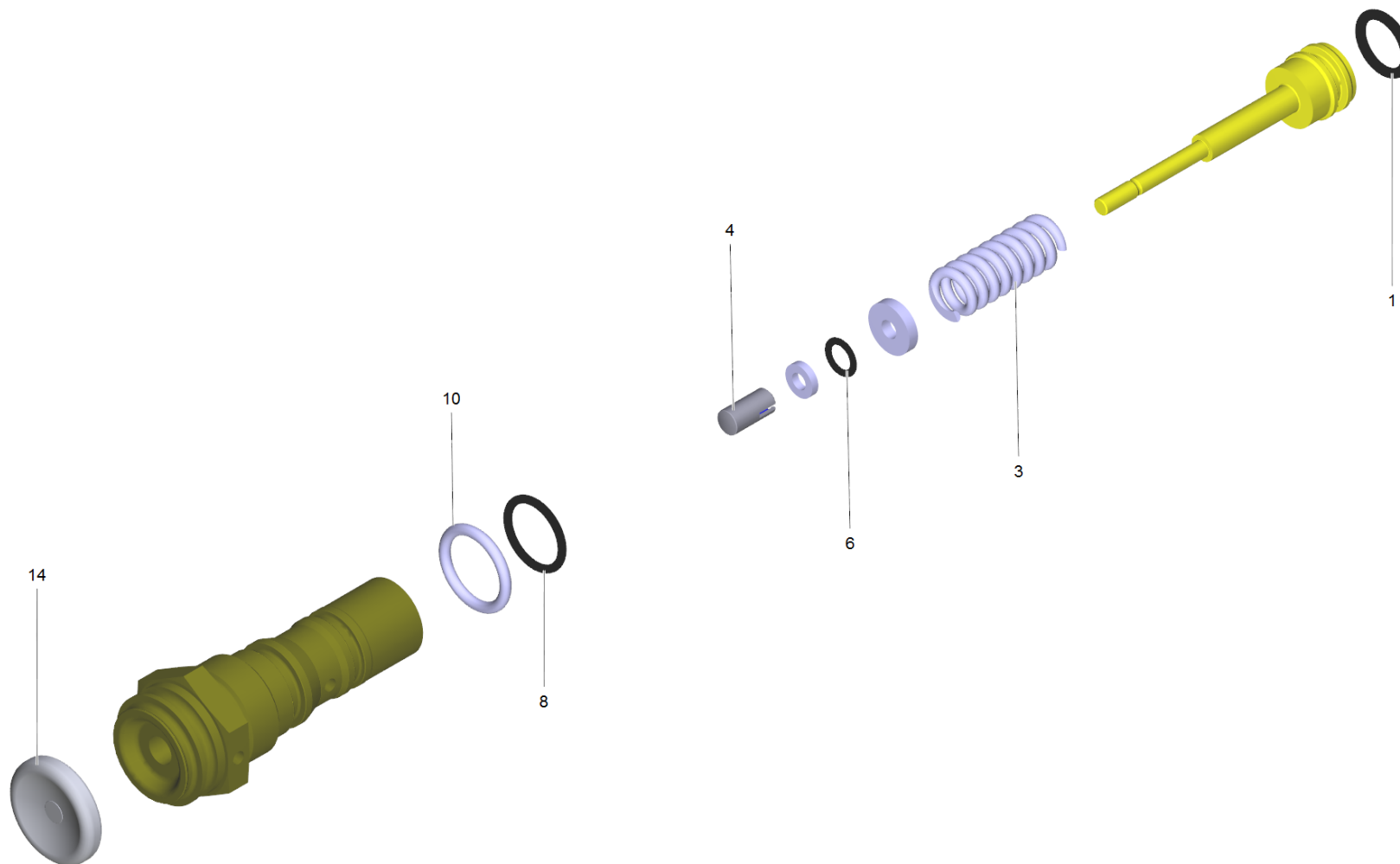
41 HAND TRIGGER GUN EASY PRESS (4.775-463.0)

POS	Article no.	Description	Quantity	Unit
2	4.037-013.0	Hook	1	ST
3	6.368-012.0	Protecting cap 22X1,5	1	ST
4	6.869-075.0	Metal bonding agent 1,5 ml	1	ST
cart_info_txt: This material is not available due to hazardous good regulation. Please procure this or a similar material from a local supplier of your choice.				
25	5.110-596.0	Sleeve	1	ST
32	5.321-669.3	Handhold few	1	ST
34	5.481-331.0	Slider	1	ST
45	7.303-096.0	Screw 4x22 -ST-10.9-R2R (IN6RD)	7	ST
1041	6.288-044.0	Silicon grease 100 G	1	ST
9001	4.427-215.0	Manifold complete only for replacement	1	ST
9002	4.481-209.0	Lever complete	1	ST



9002 Lever complete (4.481-209.0)

POS	Article no.	Description	Quantity	Unit
2	5.314-119.0	Pin	2	ST

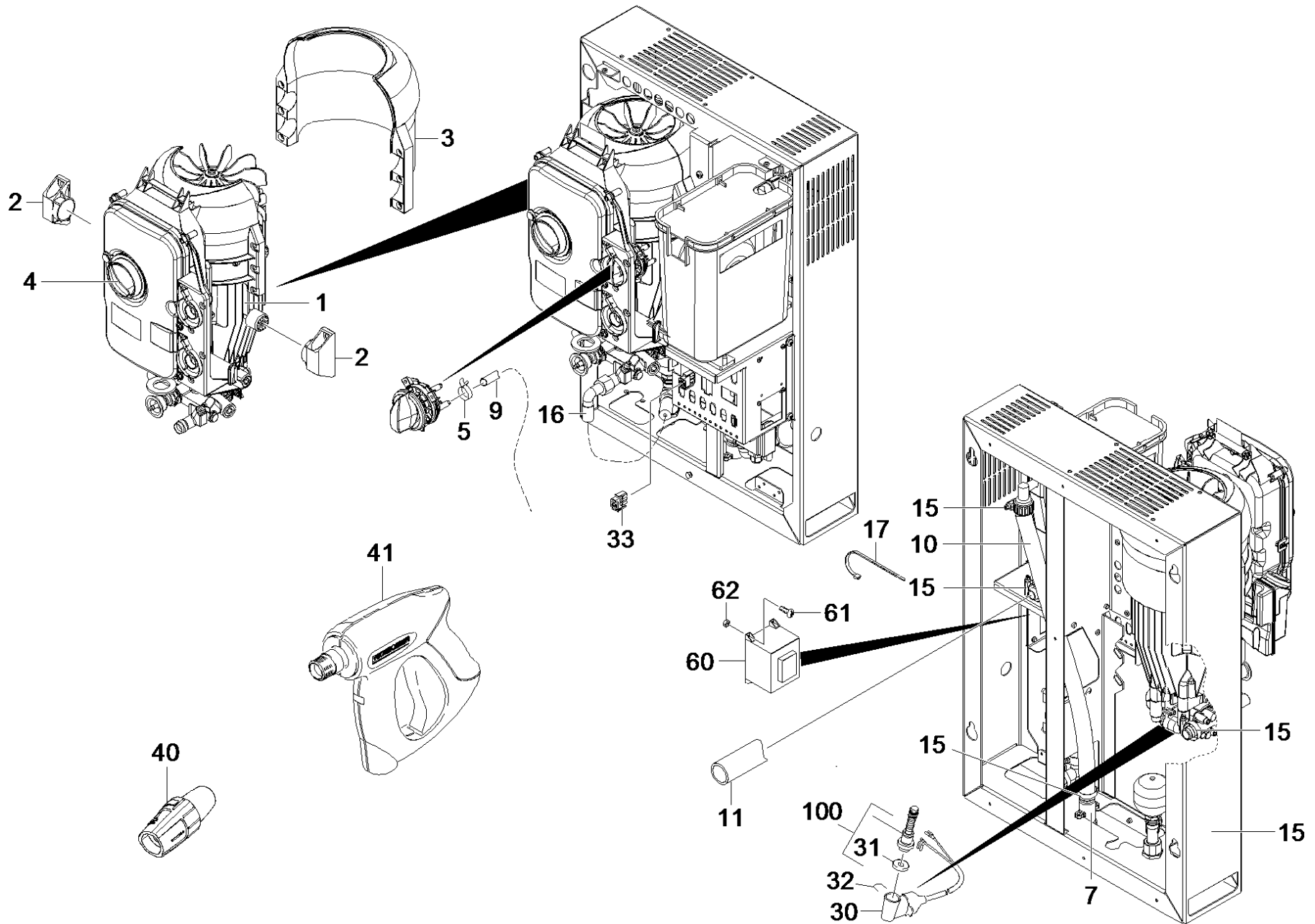


100 Spare part set control piston (2.885-226.0)

POS	Article no.	Description	Quantity	Unit
1	6.363-350.0	O-Ring seal 8.74x1.78	1	ST
3	5.332-511.0	Helical spring	1	ST
4	5.110-947.0	Sleeve	1	ST
6	6.363-330.0	O-Ring seal 2,9 x 1,78	1	ST
8	6.363-452.0	O-Ring seal 11 x 1,5	1	ST
10	6.363-519.0	O-Ring seal 12,00x 2,00	1	ST
14	5.367-030.0	Diaphragm	1	ST

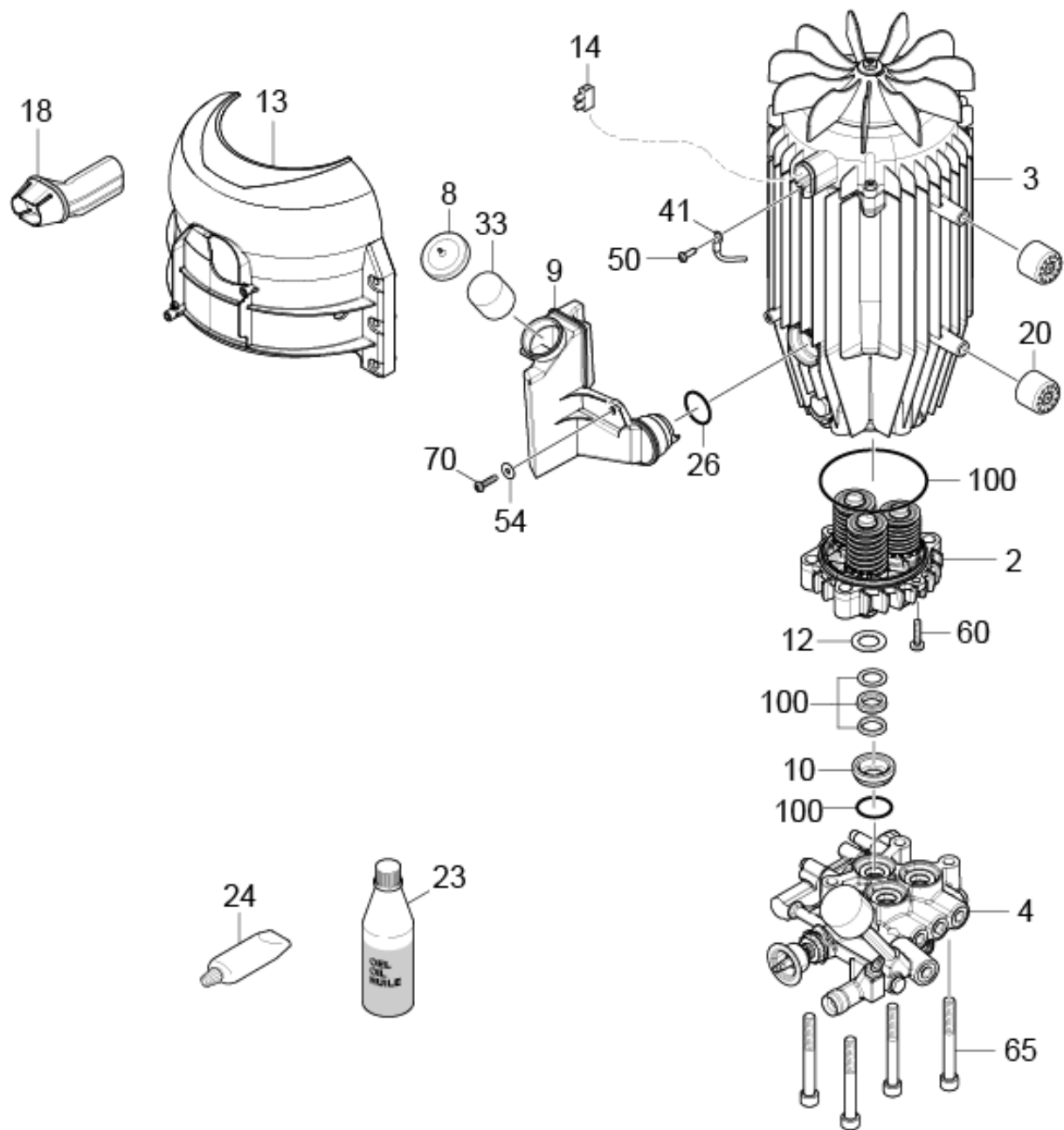
13 Pump set complete HD 7/16-4 ST 400V

POS	Article no.	Description	Quantity	Unit
10	2.532-010.3	Spare parts list pump set complete HD 7/	1	ST



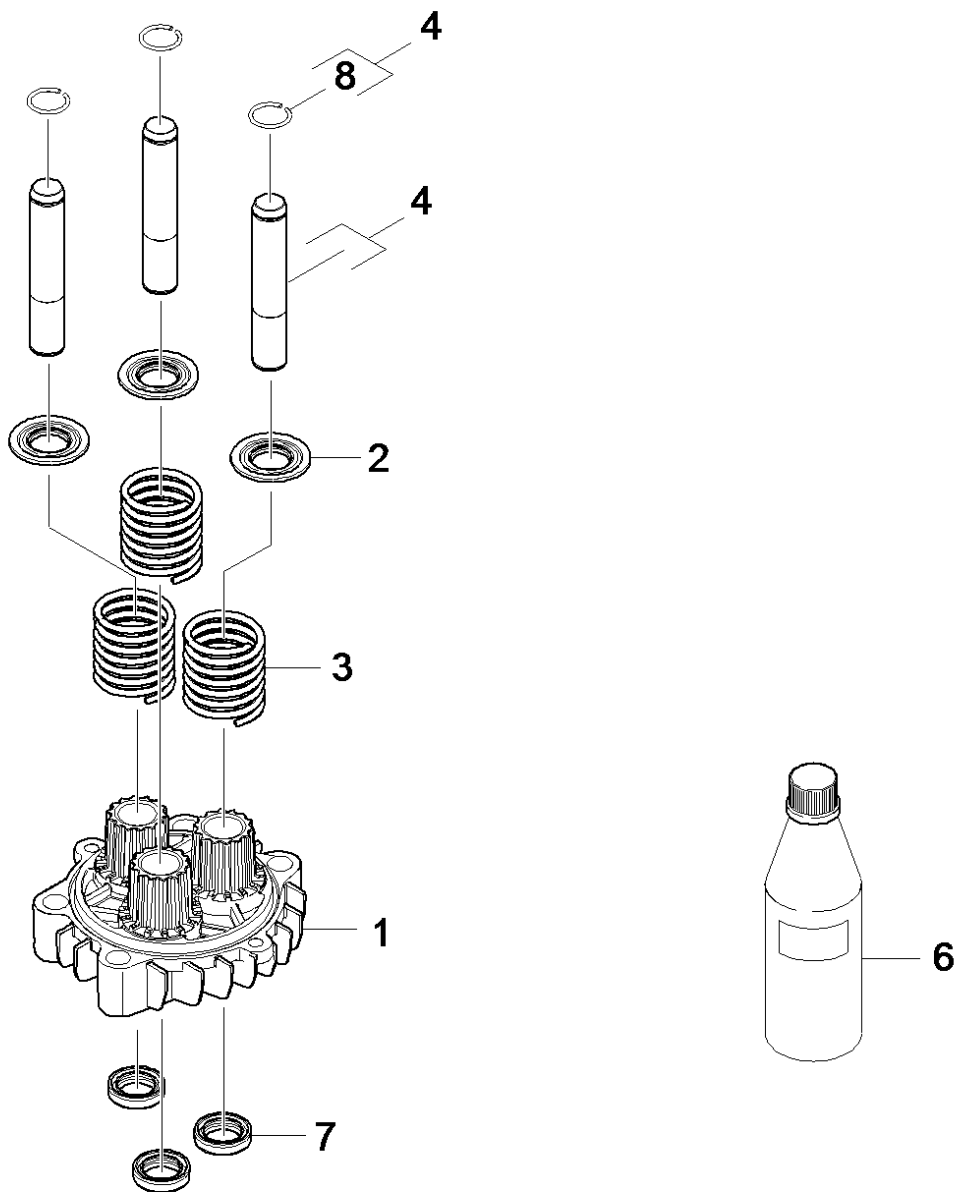
10 Spare parts list pump set complete HD 7/ (2.532-010.3)

POS	Article no.	Description	Quantity	Unit	Remark
1		Pump set HD 7/16-4 ST 400V	1	ST	
2	5.044-891.0	Holder	2	ST	
3	2.885-228.0	Spare part set air circulation	1	ST	
4		Electric control box HD 7/16-4 ST 400V	1	ST	
5	6.390-133.0	Hose clip	2	ST	
7	5.427-432.0	Manifold	1	ST	
9	6.388-247.0	Hose DN8 -PVC	0,44	M	
10	6.388-719.0	Hose DN17	0,57	M	
11	5.443-628.0	Hose	1	ST	
15	7.373-022.0	Hose clip A-16-27x9 -W2-2 DIN3017	4	ST	
16	6.392-198.0	Hose assembly DN8 40MPa 0,46m	1	ST	
17	6.641-465.0	Cable tape	1	ST	
30	4.744-190.0	Switch complete	1	ST	
31	5.367-030.0	Diaphragm	1	ST	
32	5.034-494.0	Retaining bracket	1	ST	
33	6.649-887.0	Plug triple dummy plug	1	ST	
40	4.117-035.0	Triple jet nozzle TR 043	1	ST	1.524-950.2
40	4.767-152.0	Triple jet nozzle only for replacement 0	1	ST	1.524-500.2
41	4.118-005.0	EASY!Force Advanced	1	ST	1.524-950.2
41	4.775-463.0	HAND TRIGGER GUN EASY PRESS	1	ST	1.524-500.2
60	6.622-332.0	Control transformer 96VA - EI78/40,5 380	1	ST	
61	7.306-058.0	Screw M 4X 12- 8.8-R2R K-IN6RD	4	ST	
62	7.311-569.0	Square nut M4 -04-A2E DIN 562	4	ST	
100	2.885-226.0	Spare part set control piston	1	ST	



1 Pump set HD 7/16-4 ST 400V

POS	Article no.	Description	Quantity	Unit
2		Housing thrust guidance HD 7/17	1	ST
3	4.624-076.0	Motor complete only for replacement HD 7	1	ST
4		Cylinder head complete	1	ST
8	5.064-457.0	Cover plate qusty grey oil	1	ST
9	5.070-658.0	Tank oil	1	ST
10	5.112-885.0	Bush	3	ST
12	5.115-432.0	Washer	3	ST
13	2.885-228.0	Spare part set air circulation	1	ST
14	6.643-151.0	Strip terminal one-pole 16mm ²	1	ZST
18	5.365-341.0	Profile gasket long	1	ST
20	5.767-005.0	Rubber buffer	4	ST
23	6.288-016.0	Gear oil 1L	1	ST
24		Silicon grease	0,005	ZST
26	6.362-722.0	O-Ring seal 28,0 X 3,0	1	ST
33	5.132-187.0	Plug	1	ST
41	4.820-578.0	Cable green/yellow 1,5mm ² x450mm	1	ST
50	7.303-031.0	Screw M4x10 -St-P2R (In6Rd)	1	ST
54	7.312-282.0	Washer 5 -A2 ISO 7093-1	1	ST
60	7.306-094.0	Screw M6x25 -8.8-R3R (In6Rd)	2	ST
65	7.306-807.0	Cylinder head screw M10x85-8.8-A3E ISO4	4	ST
70	6.303-320.0	Screw M 5x 20-St-R2R	1	ST
100	2.885-317.0	Pump set HD 7/16-4 ST-H	1	ST

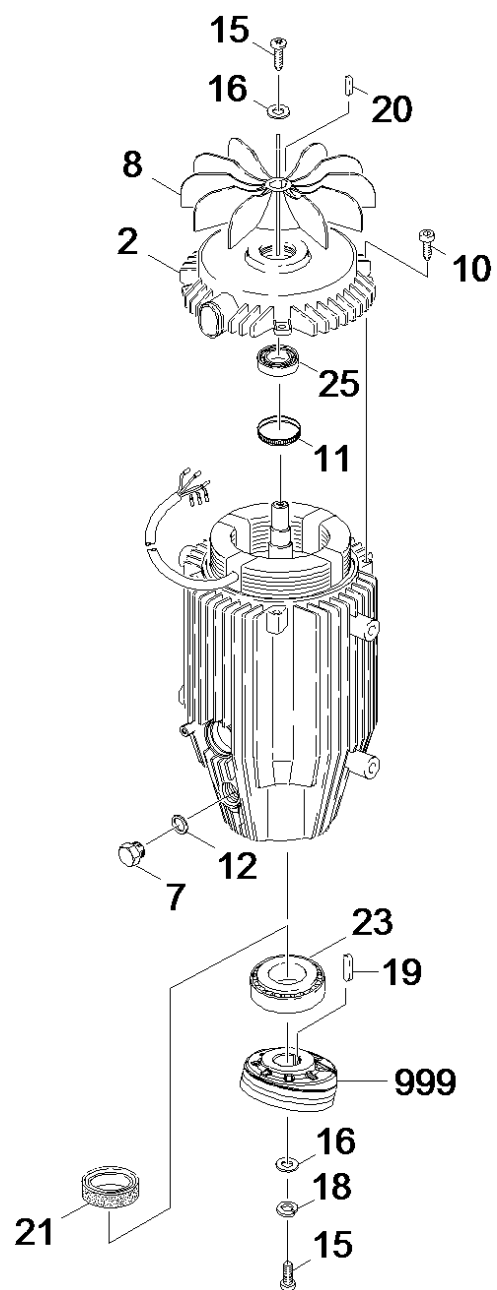


2 Housing thrust guidance HD 7/17

POS	Article no.	Description	Quantity	Unit
1	5.061-059.0	Housing	1	ST
2	5.116-134.0	Washer	3	ST
3	5.333-027.0	Helical spring	3	ST
4	4.553-284.0	Spare part set piston complete	3	ST
6	6.288-016.0	Gear oil 1L	1	ST
7		Part at pump set	1	ST
8	7.343-473.0	Snap ring 18 -FST DIN 9925	3	ST

3 Motor complete only for replacement HD 7 (4.624-076.0)

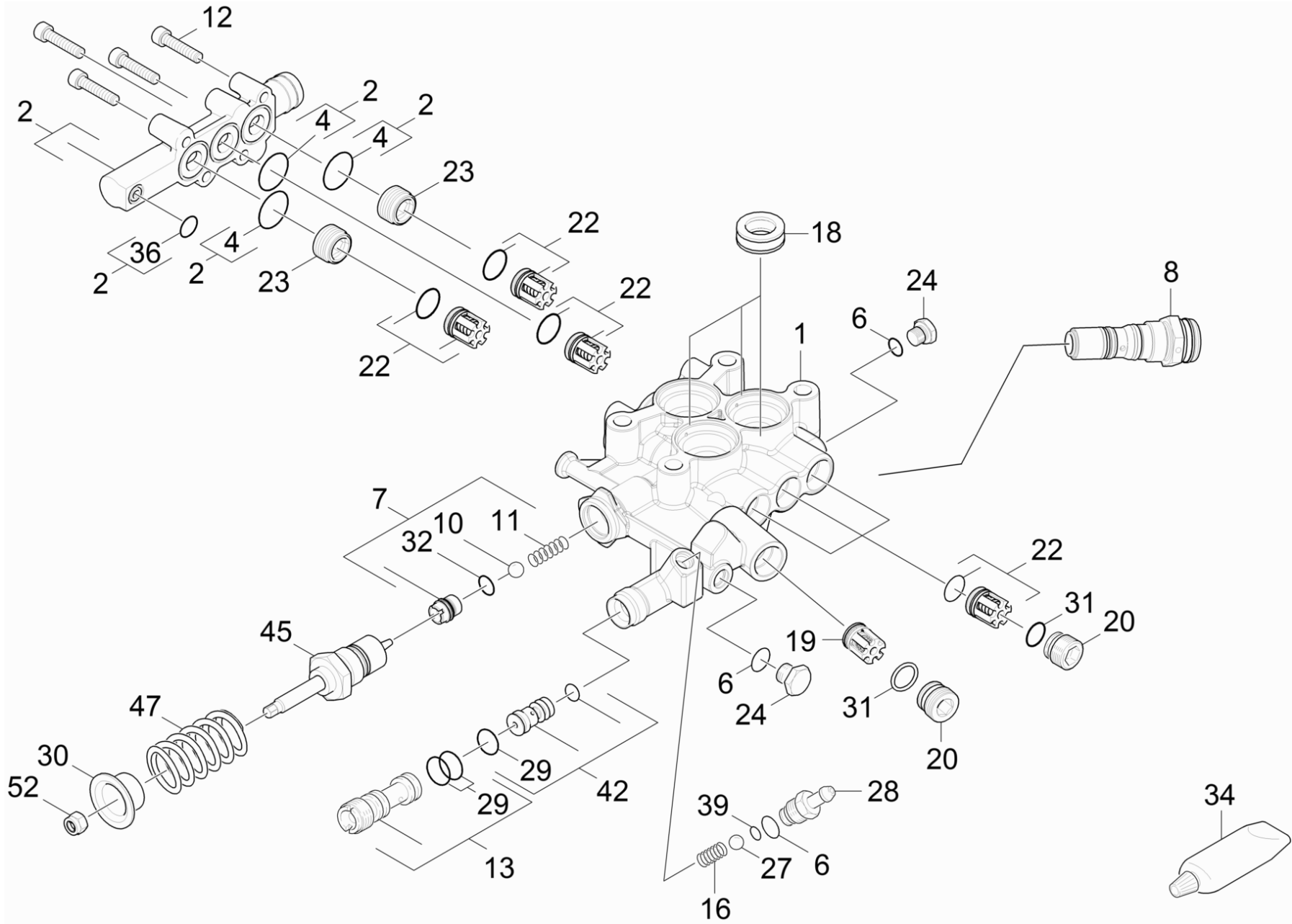
POS	Description	Quantity	Unit
1	Motor complete HD 7/16-4ST 400V	1	ST



1 Motor complete HD 7/16-4ST 400V

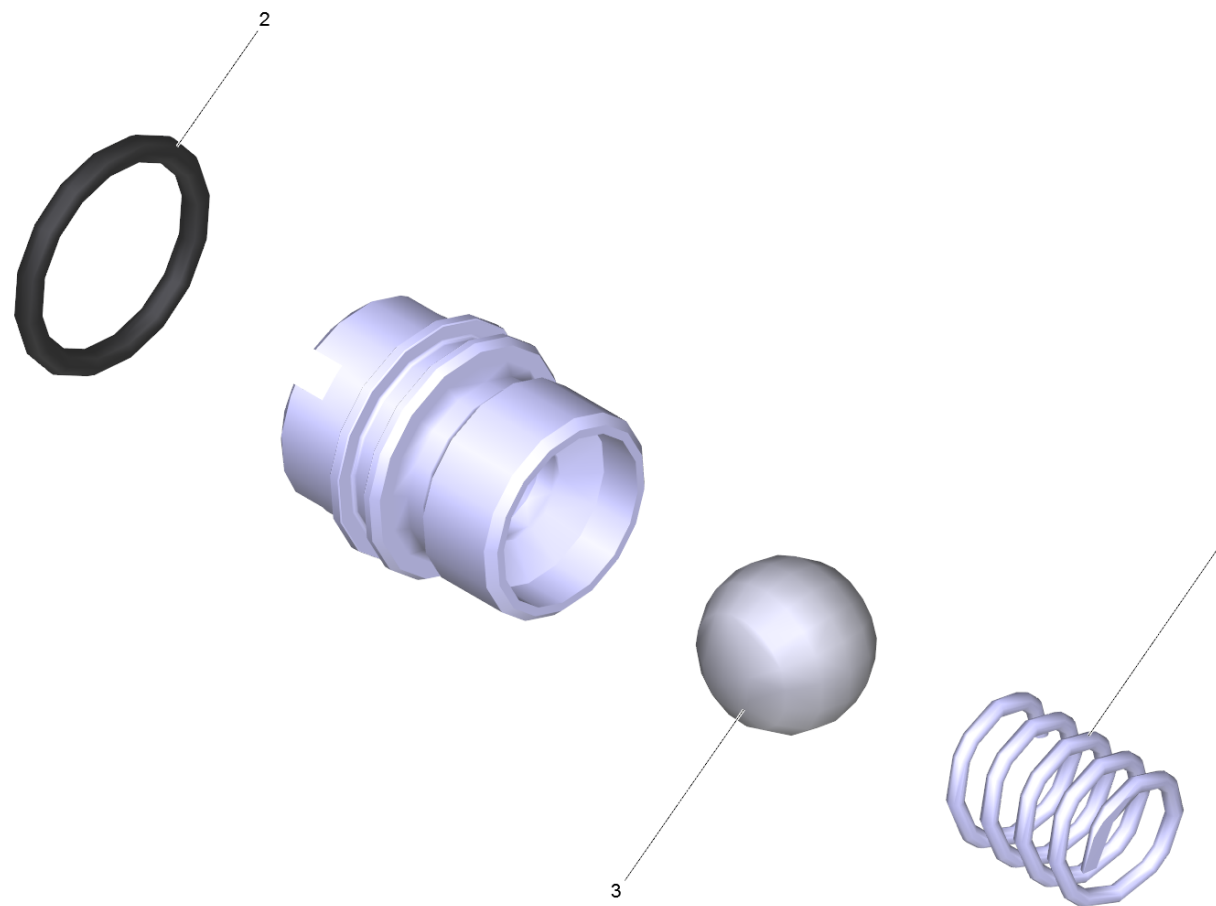
POS	Article no.	Description	Quantity	Unit
2	5.063-707.0	Bearing cover B	1	ST
7	5.411-100.0	Screw plug	1	ST
8	5.600-046.0	Blower wheel	1	ST
10	6.303-265.0	Self-tapping screw M6x20	4	ST
11	6.343-171.0	Tolerance ring	1	ST
12	6.363-498.0	O-Ring seal 11,0x2,0 HNBR	1	ST
15	7.306-092.0	Screw M6x20-ST- 8.8-R3R (IN6RD)	2	ST
16	7.312-260.0	Washer 6 -100HV-A3E ISO 7094	2	ST
18	7.313-003.0	Spring washer B 6-FSt-A3E DIN 127	1	ST
19	7.318-070.0	Parallel key 5x5x20-C45K DIN 6885-1	1	ST
20	7.318-079.0	Parallel key A 5x5x25-C45K DIN 6885	1	ST
21	7.367-021.0	Radial shaft seal ring A30x40x7 -FKM DI	1	ST
23	6.401-399.0	Taper roller bearing	1	ST
25	6.401-285.0	Ball bearing 6204 2RS	1	ST
999	4.120-215.0	Wobble plate	1	ST

4 Cylinder head complete



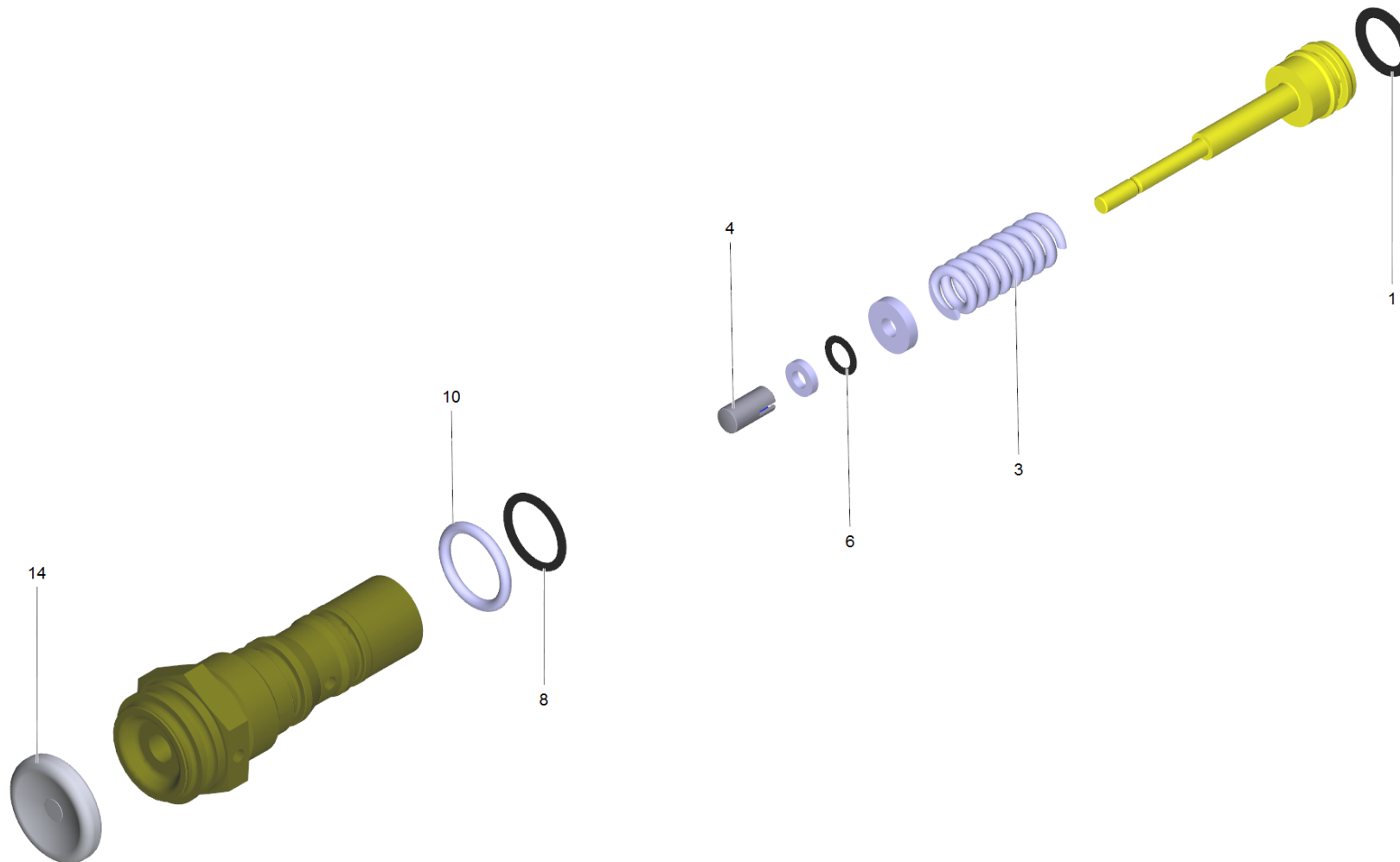
4 Cylinder head complete

POS	Article no.	Description	Quantity	Unit
1	4.550-976.0	Spare part set cylinder head HD	1	ST
2	4.064-023.0	Suction cover complete only for replacem	1	ST
4		Part at pump set	1	ST
6		Part at pump set	1	ST
7	4.481-226.0	Valve seat complete	1	ST
8	2.885-226.0	Spare part set control piston	1	ST
10	7.401-907.0	Sphere 3/8 G200-1.4301 DIN 5401	1	ST
11	5.332-999.0	Helical spring	1	ST
12	7.306-024.0	Cylinder head screw M6x30 -8.8-A2E ISO4762	4	ST
13	5.769-158.0	Nozzle insert D1.6/D2.0/L38	1	ST
16	5.332-258.0	Helical spring	1	ST
18		Part at pump set	1	ST
19		Part at pump set	1	ST
20	4.483-002.0	Valve screw	4	ST
22		Part at pump set	1	ST
23	5.583-177.0	Valve screw M20x1	2	ST
24	5.411-070.0	Screw plug	2	ST
27	7.401-908.0	Sphere 7 G300 -1.4301 DIN 5401	1	ST
28	5.443-370.0	Nipple	1	ST
29	6.362-384.0	O-Ring seal 9x1,5 - NBR 70	3	ST
30	5.112-757.0	Bush	1	ST
31		Part at pump set	1	ST
32	6.362-858.0	O-Ring seal 11,0 X 1,5	1	ST
34	6.288-044.0	Silicon grease 100 G	1	ST
36		Part at pump set	1	ST
39	6.363-597.0	O-Ring seal 5,28 x 1,78	1	ST
42	2.885-230.0	Spare part set nozzle insert only for re	1	ST
45	2.885-227.0	Spare part set overflow valve	1	ST
47	5.332-530.0	Helical spring	1	ST
51		Screw plug pressure switch	1	ST
52	7.311-510.0	Hexagon nut M 8-8-A2E ISO 7040	1	ST



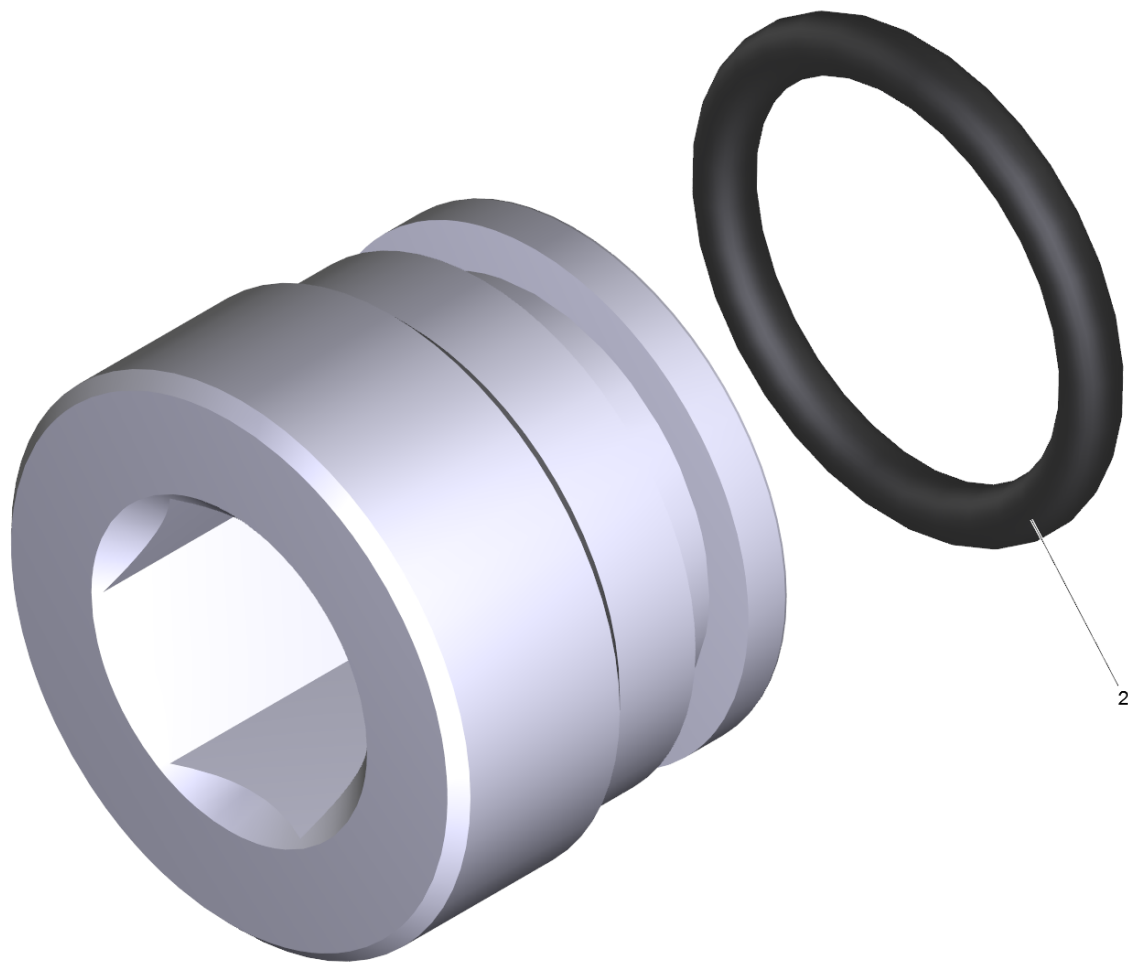
7 Valve seat complete (4.481-226.0)

POS	Article no.	Description	Quantity	Unit
2	6.362-858.0	O-Ring seal 11,0 X 1,5	1	ST
3	7.401-907.0	Sphere 3/8 G200-1.4301 DIN 5401	1	ST
4	5.332-999.0	Helical spring	1	ST



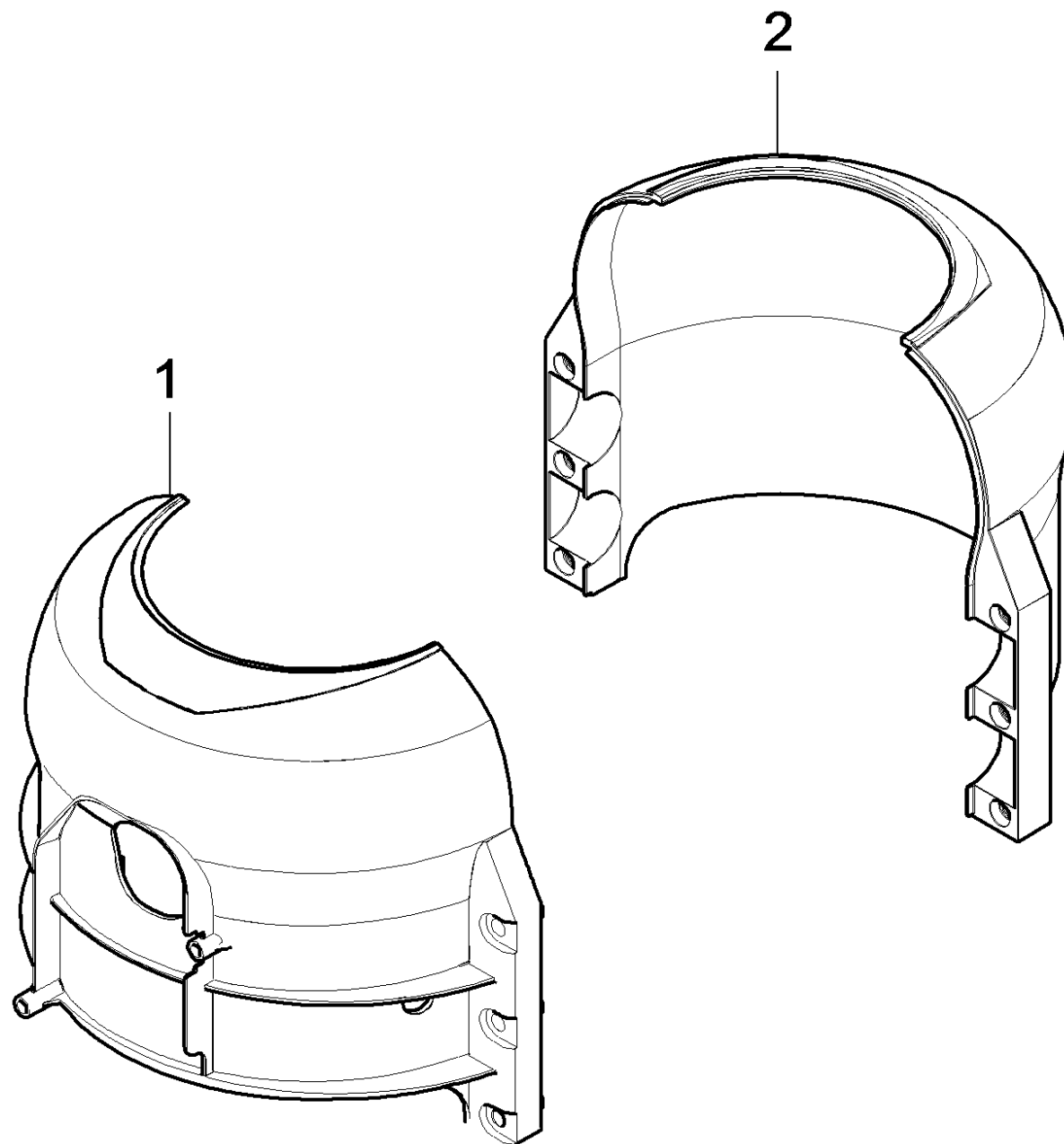
8 Spare part set control piston (2.885-226.0)

POS	Article no.	Description	Quantity	Unit
1	6.363-350.0	O-Ring seal 8.74x1.78	1	ST
3	5.332-511.0	Helical spring	1	ST
4	5.110-947.0	Sleeve	1	ST
6	6.363-330.0	O-Ring seal 2,9 x 1,78	1	ST
8	6.363-452.0	O-Ring seal 11 x 1,5	1	ST
10	6.363-519.0	O-Ring seal 12,00x 2,00	1	ST
14	5.367-030.0	Diaphragm	1	ST



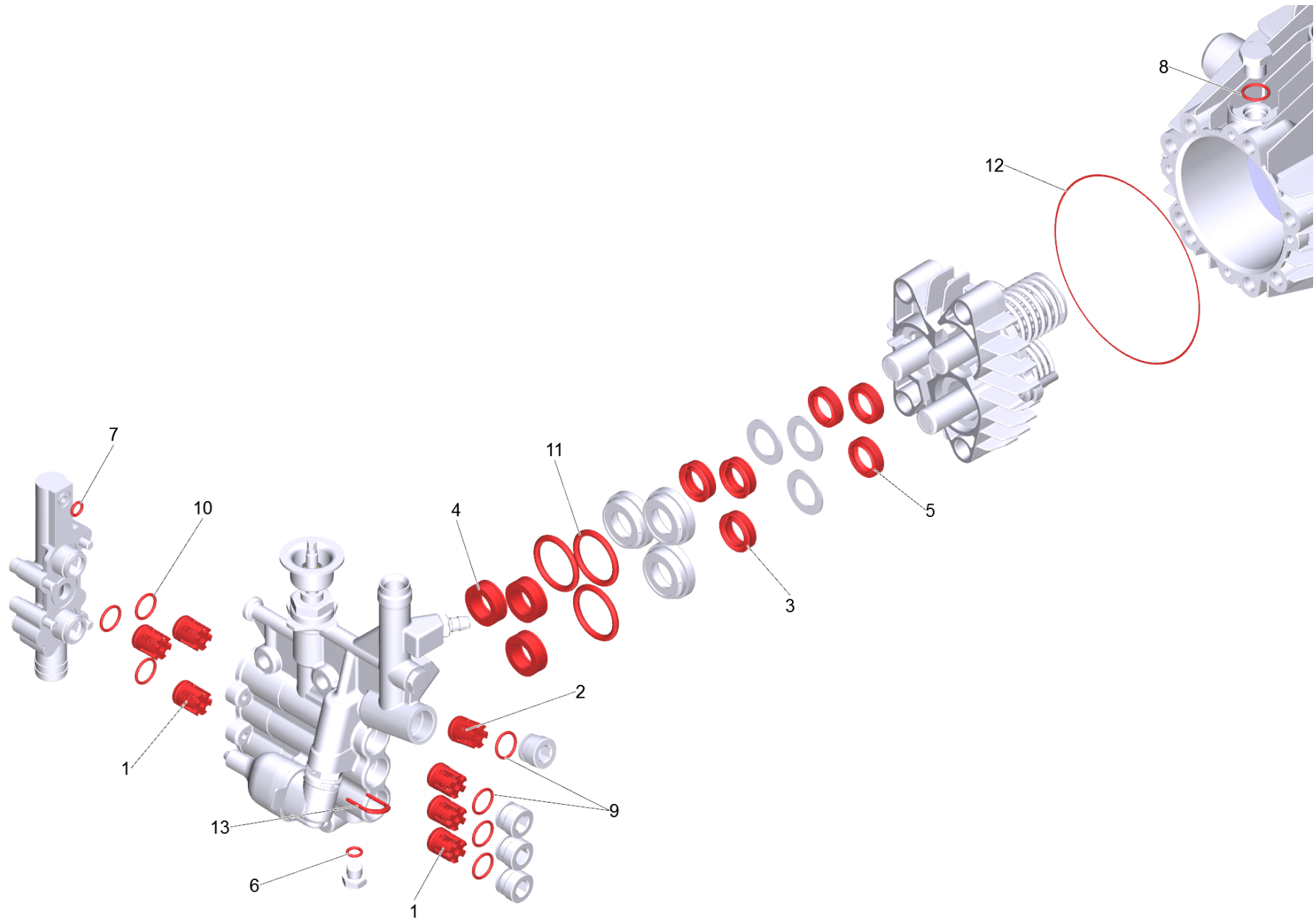
20 Valve screw (4.483-002.0)

POS	Article no.	Description	Quantity	Unit
2	6.363-459.0	O-Ring seal 14 x 2	1	ST



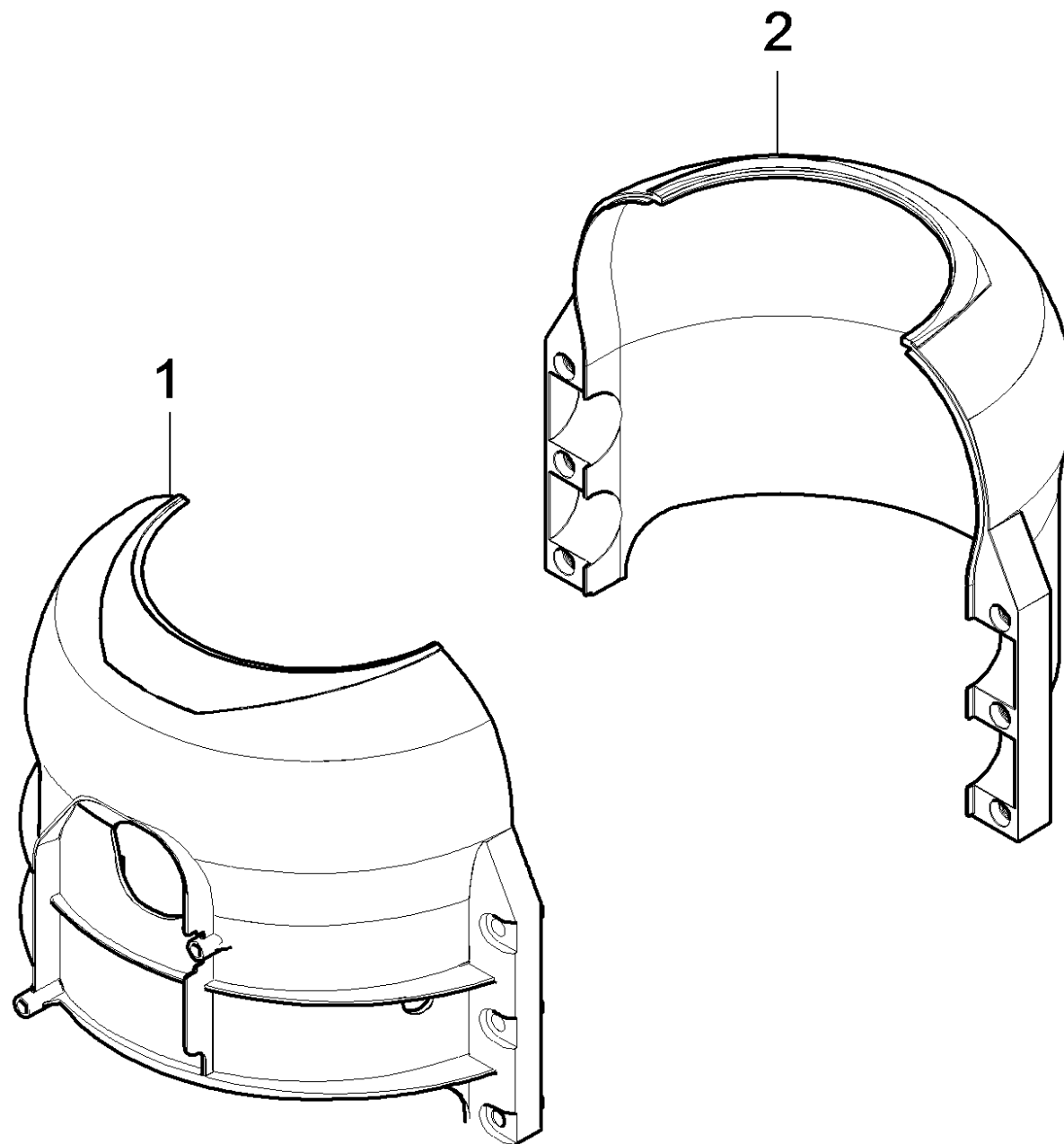
13 Spare part set air circulation (2.885-228.0)

POS	Description	Quantity	Unit
1	Air circulation front	1	ST
2	Air circulation rear	1	ST



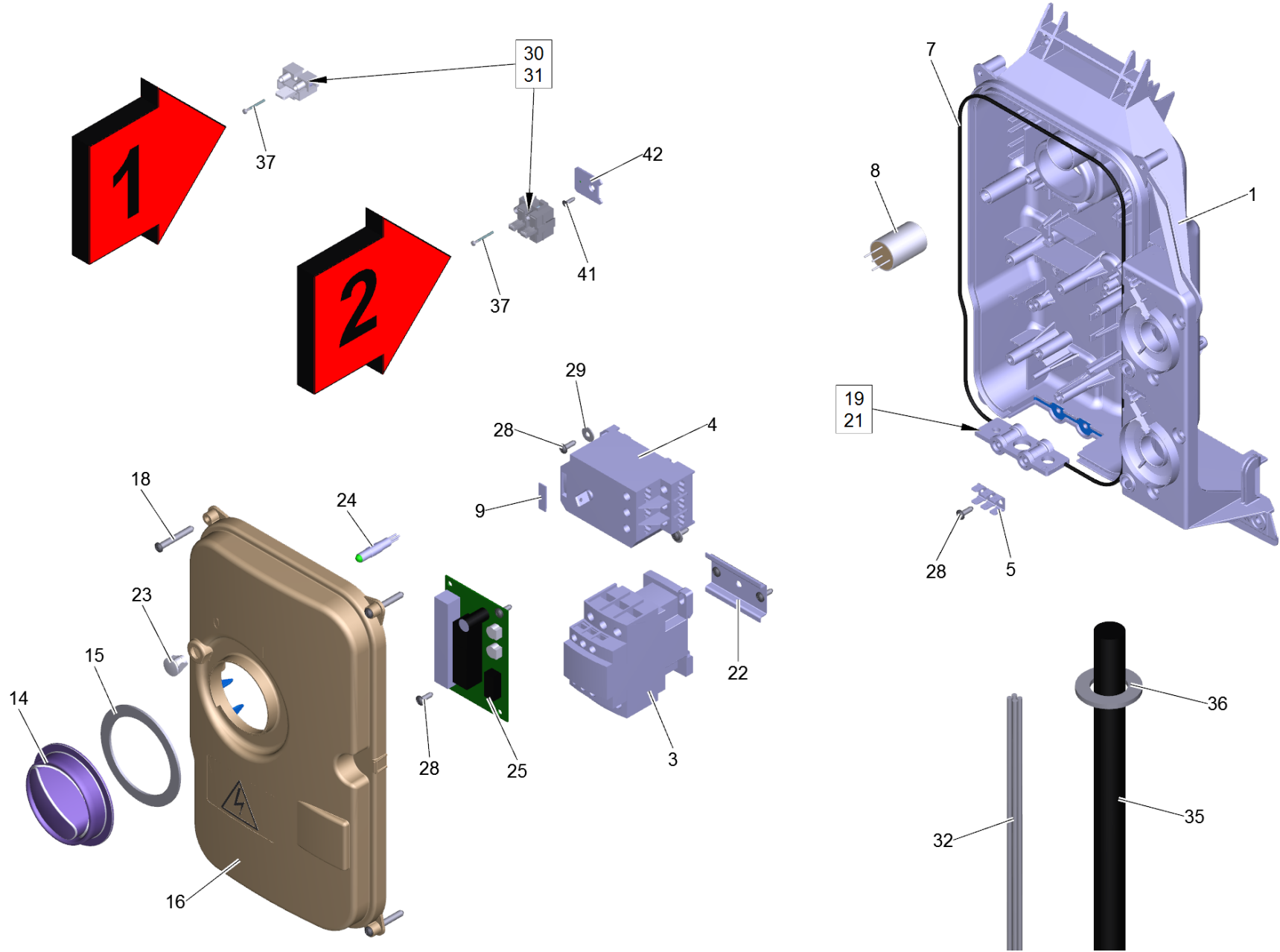
100 Pump set HD 7/16-4 ST-H (2.885-317.0)

POS	Article no.	Description	Quantity	Unit
1	2.885-139.0	Valve (3Stueck)	2	ST
2	4.580-734.0	Valve complete	1	ST
3	2.885-432.0	Set of gaskets ND PTFE (3x)	1	ST
4	2.885-237.0	Set of gaskets high pressure W1 (3 Stuec	1	ST
5	6.365-560.0	Grooved ring 18x26x7/6	3	ST
6	6.363-496.0	O-Ring seal 7,0x2,0	3	ST
7	6.363-492.0	O-Ring seal 8,0x1,5	1	ST
8	6.363-498.0	O-Ring seal 11,0x2,0 HNBR	1	ST
9	6.363-459.0	O-Ring seal 14 x 2	3	ST
10	6.363-494.0	O-Ring seal 20,0x1,5	3	ST
11	6.363-462.0	O-Ring seal 33,05 x 1,78	3	ST
12	6.363-618.0	O-Ring seal 88.57 x 2.62 HNBR 70 Shore	1	ST
13	5.034-494.0	Retaining bracket	1	ST
14	6.288-072.0	Silicon grease	1	ST



3 Spare part set air circulation (2.885-228.0)

POS	Description	Quantity	Unit
1	Air circulation front	1	ST
2	Air circulation rear	1	ST

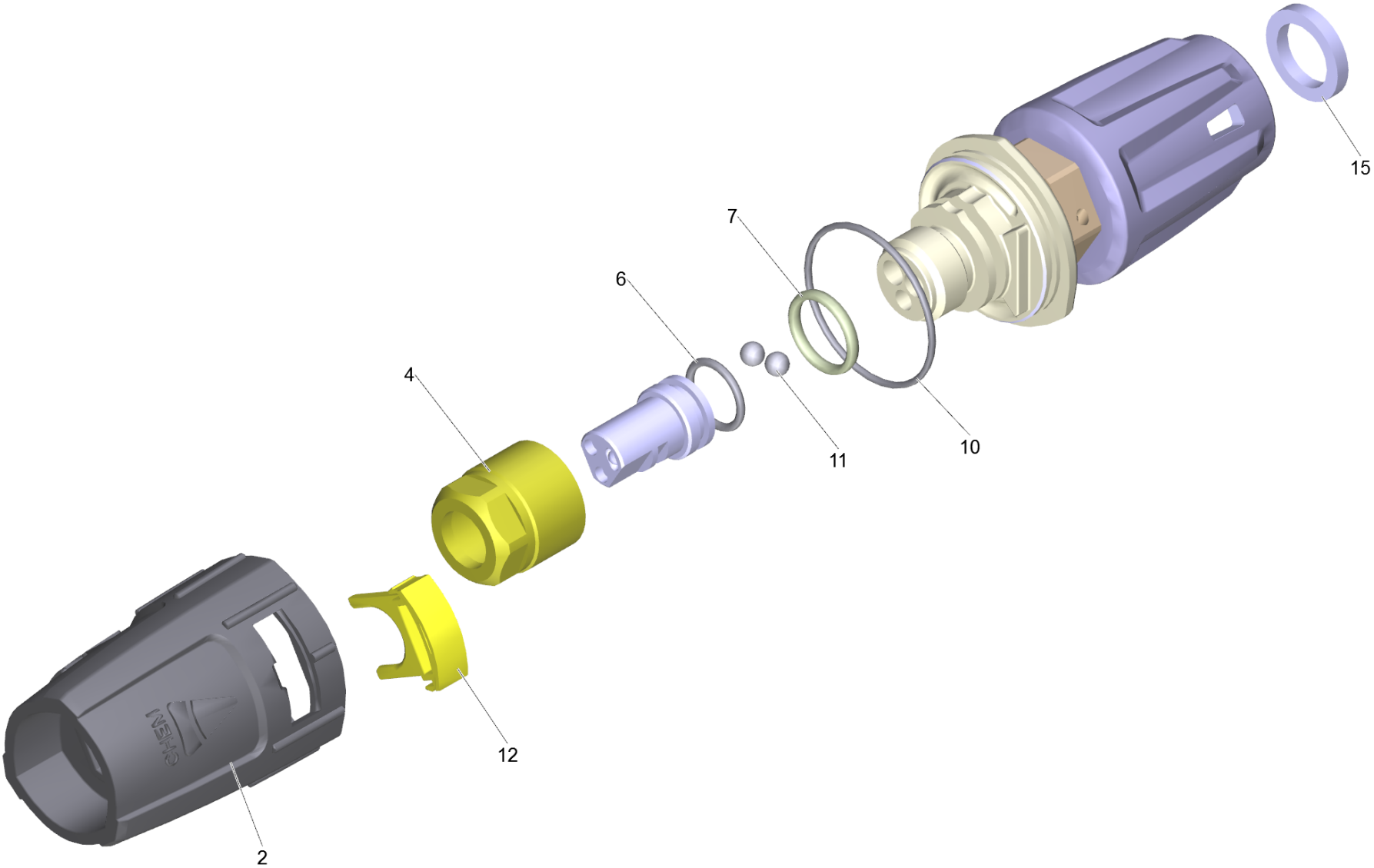


4 Electric control box HD 7/16-4 ST 400V

POS	Article no.	Description	Quantity	Unit	Foot note text
1	5.062-336.0	Housing electric control box	1	ST	
3	4.632-002.0	Contacteur -nur fuer Ersatz-	1	ST	
4	6.631-190.0	Motor protecting switch	1	ST	
5	6.641-270.0	Plug	1	ST	
7	6.273-037.0	Seal string cellular rubber 3	0,8	M	
8	6.661-302.0	Interference suppressor triple-pole	1	ST	
9	6.630-049.0	Cap	1	ST	
14	5.321-692.0	Handle	1	ST	
15	5.363-616.0	Joint ring	1	ST	
16	5.064-413.0	Cover electric control box	1	ST	
18	7.303-085.0	Screw 4x 35 -10.9-R2R (K-In6Rd)	4	ST	
19	5.263-101.0	Tensioning part 10.5/14/7	2	ST	
21		Sheet metal screw ST3,9x45 -St-A2K-C-H I	2	ST	
22	5.802-261.0	Mounting part	1	ST	
23	6.651-506.0	Lens housing	1	ST	
24	6.651-505.0	Pilot lamp	1	ST	
25	6.984-610.0	Circuit board control system HD-ST	1	ST	
28	7.303-106.0	Screw 4x12 -10.9-R2R (IN6RD)	7	ST	
29	7.312-281.0	Washer 4 -200HV-A2E ISO7093-1	2	ST	
30	6.643-336.0	Strip terminal	2	ST	VERSION 1
30	6.643-471.0	Strip terminal with fuse	2	ST	VERSION 2
31	6.644-070.0	Fuse insert medium time-lag G-5,0A	2	ST	
32	6.649-844.0	Cable harness HD-ST	1	ST	
35	6.649-442.0	Cable with plug	1	ST	
36	7.312-098.0	Washer 27 -PA6.6-Natur ISO 7089	1	ST	
37	6.303-245.0	Cylinder head screw 3X18-ST-A2E	1	ST	VERSION 1
37	7.306-045.0	Screw M2x20 -4.8-A2K DIN 84	1	ST	VERSION 2
41	7.303-119.0	Countersunk screw 3x10 -10.9-R2R (In6Rd)	1	ST	VERSION 2
42	5.013-470.0	Plate clamp	1	ST	VERSION 2

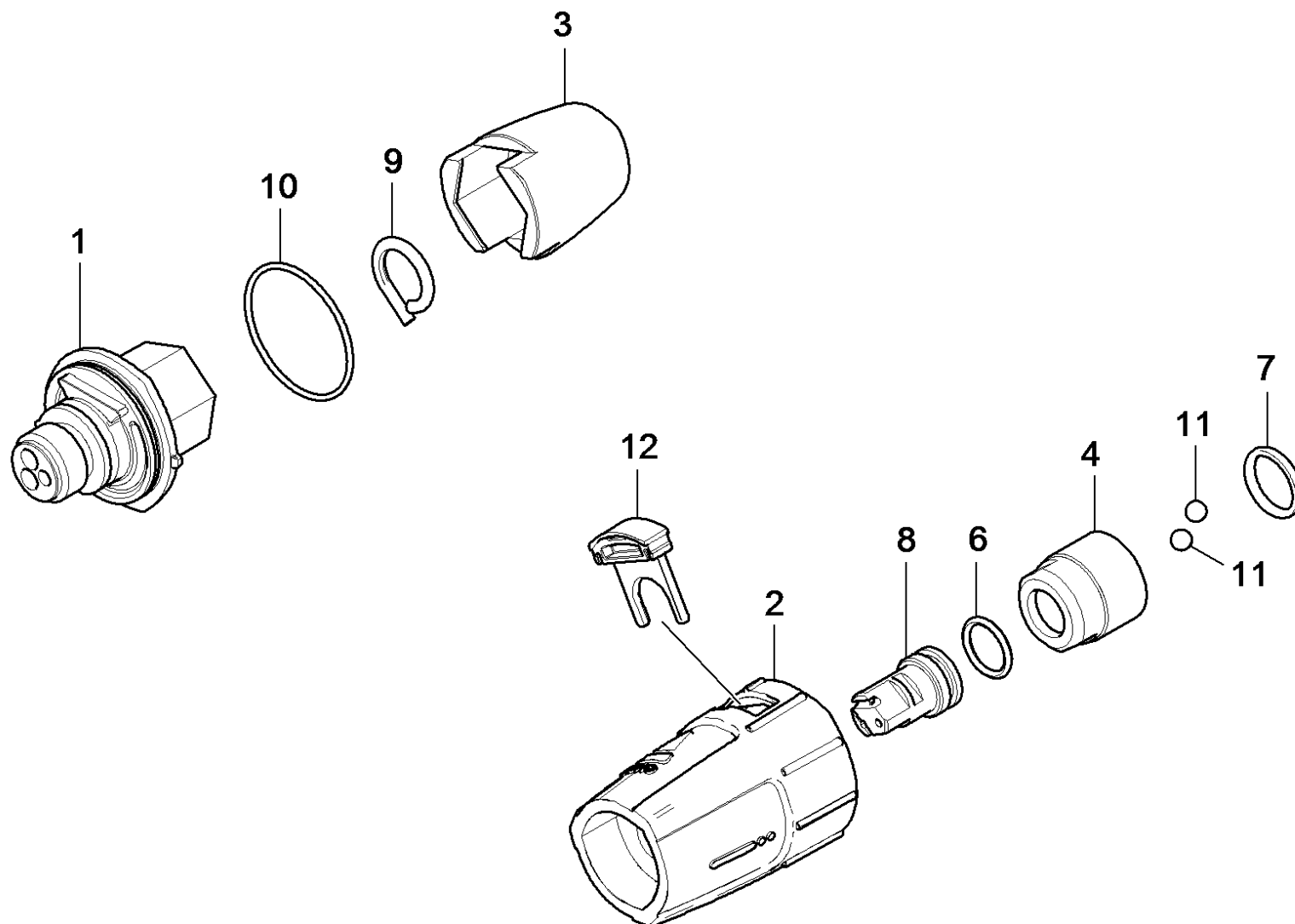
40 Triple jet nozzle TR 043 (4.117-035.0)

POS	Description	Quantity	Unit
1	Triple jet nozzle TR 043	1	ST



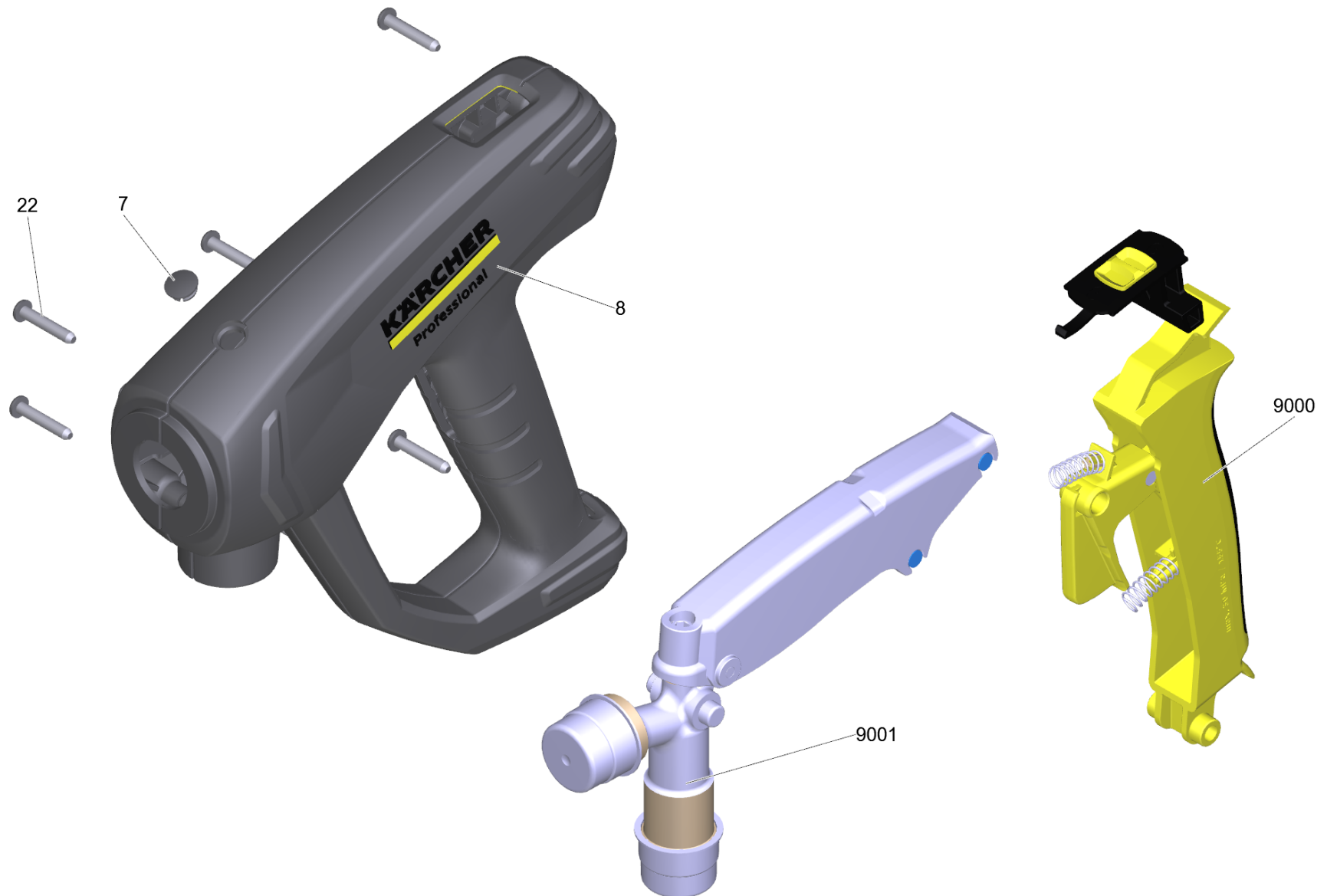
1 Triple jet nozzle TR 043

POS	Article no.	Description	Quantity	Unit
2	5.394-859.0	Protection part	1	ST
4	5.311-225.0	Nut	1	ST
6	6.362-480.0	O-Ring seal 12,42x 1,78	1	ST
7	6.362-460.0	O-Ring seal 14,0 X 2,5-NBR 70	1	ST
10	6.362-409.0	O-Ring seal 32,0 X 1,5	1	ST
11	7.401-902.0	Sphere 5 G20 -1.4034 DIN 5401	2	ST
12	5.321-884.0	Clamp	1	ST
15	6.363-696.0	Brake ring 14x20x3	1	ST



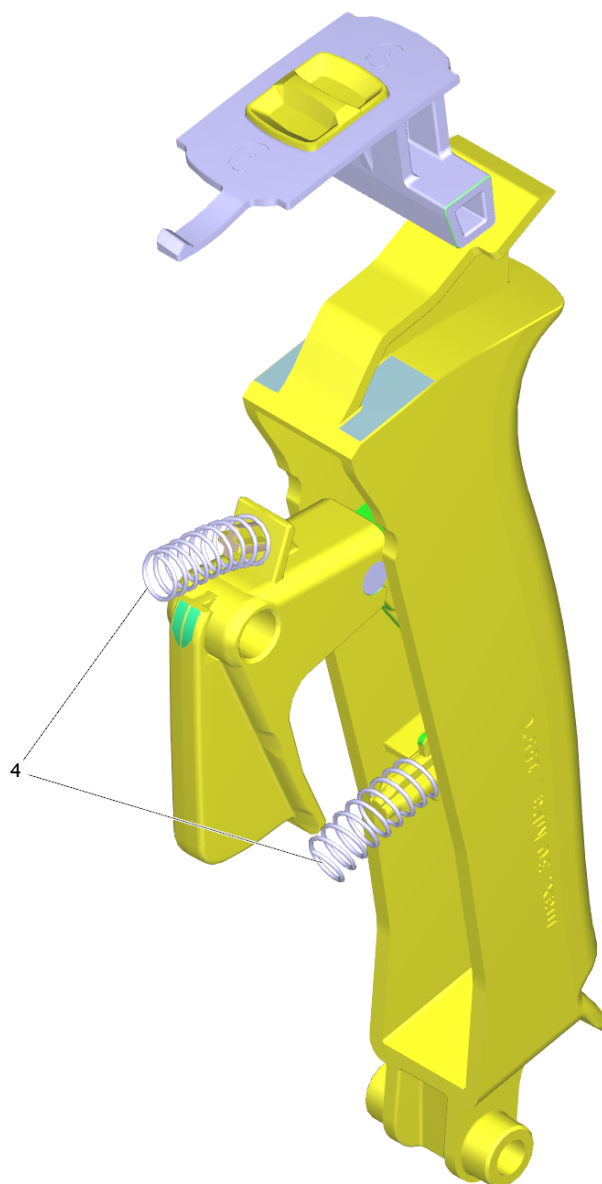
40 Triple jet nozzle only for replacement 0 (4.767-152.0)

POS	Article no.	Description	Quantity	Unit
1		Distributor	1	ST
2	5.394-859.0	Protection part	1	ST
3	5.394-530.0	Protection part complete	1	ST
4	5.311-225.0	Nut	1	ST
6	6.362-480.0	O-Ring seal 12,42x 1,78	1	ST
7	6.362-460.0	O-Ring seal 14,0 X 2,5-NBR 70	1	ST
8	5.415-605.0	Triple jet nozzle 043	1	ST
9	6.343-150.0	Pin 03	1	ST
10	6.362-409.0	O-Ring seal 32,0 X 1,5	1	ST
11	7.401-902.0	Sphere 5 G20 -1.4034 DIN 5401	2	ST
12	5.321-884.0	Clamp	1	ST



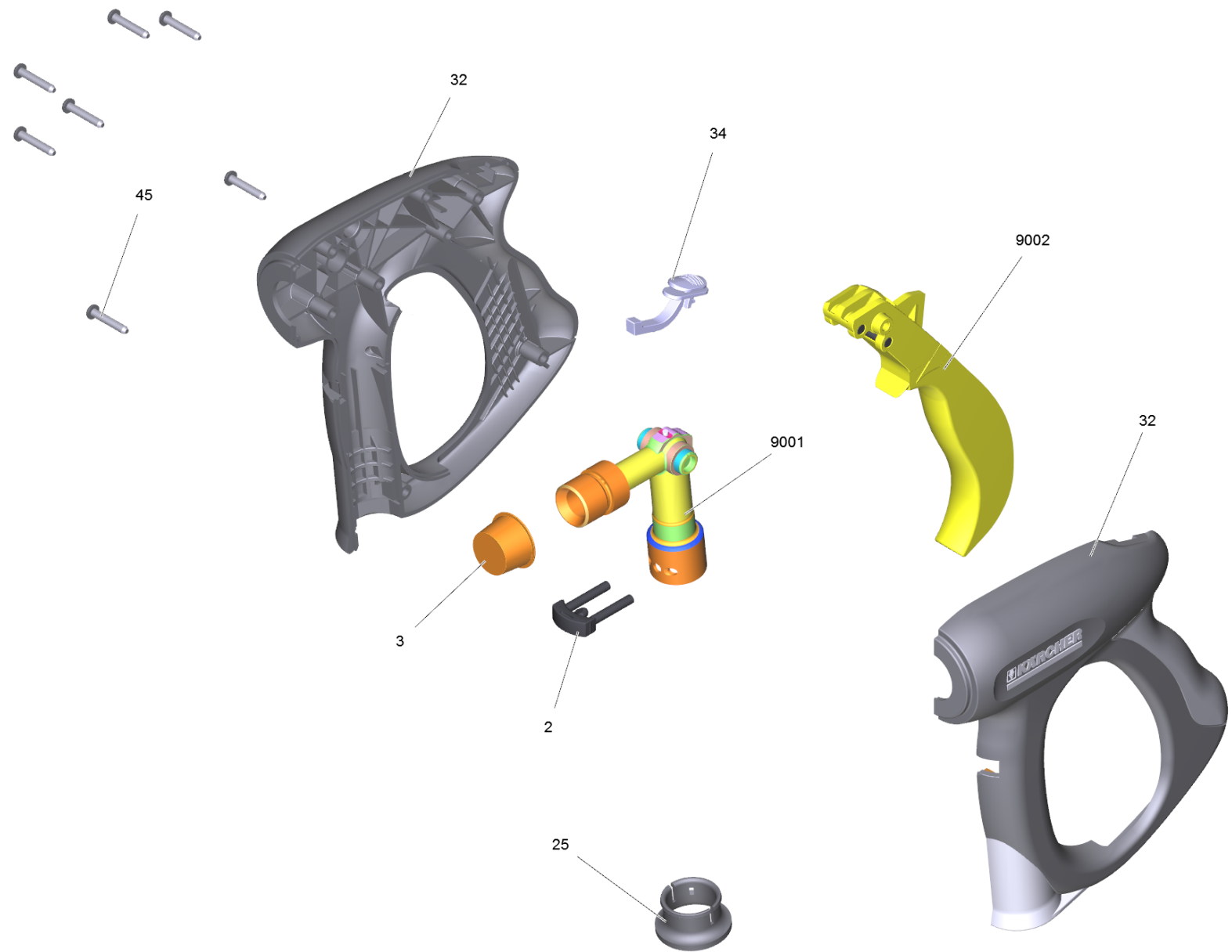
41 EASY!Force Advanced (4.118-005.0)

POS	Article no.	Description	Quantity	Unit
7	5.132-001.0	Plug	1	ST
8	5.321-136.3	Handhold few EH 155 only for replacement	1	ST
22	7.303-096.0	Screw 4x22 -ST-10.9-R2R (IN6RD)	7	ST
9000	2.885-483.0	Spare part set lever	1	ST
9001	4.427-014.0	Manifold TR EH 155 nur fuer Ersatz	1	ST



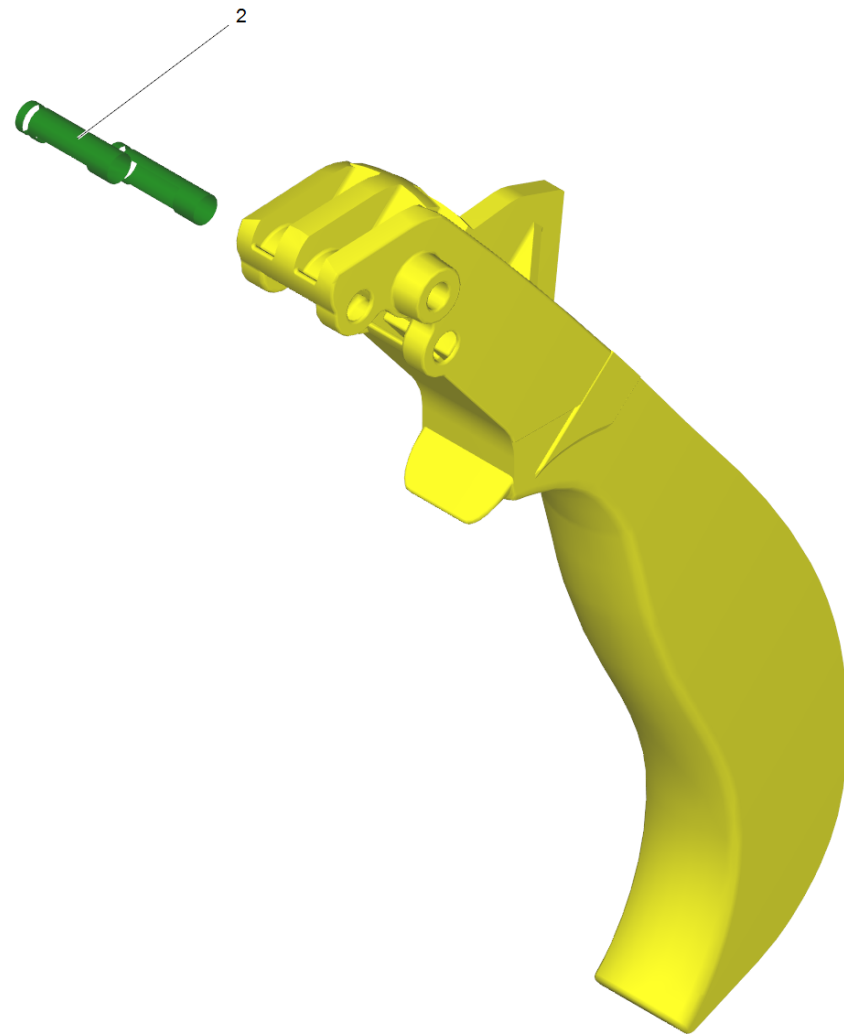
9000 Spare part set lever (2.885-483.0)

POS	Article no.	Description	Quantity	Unit
4	5.332-178.0	Helical spring	2	ST



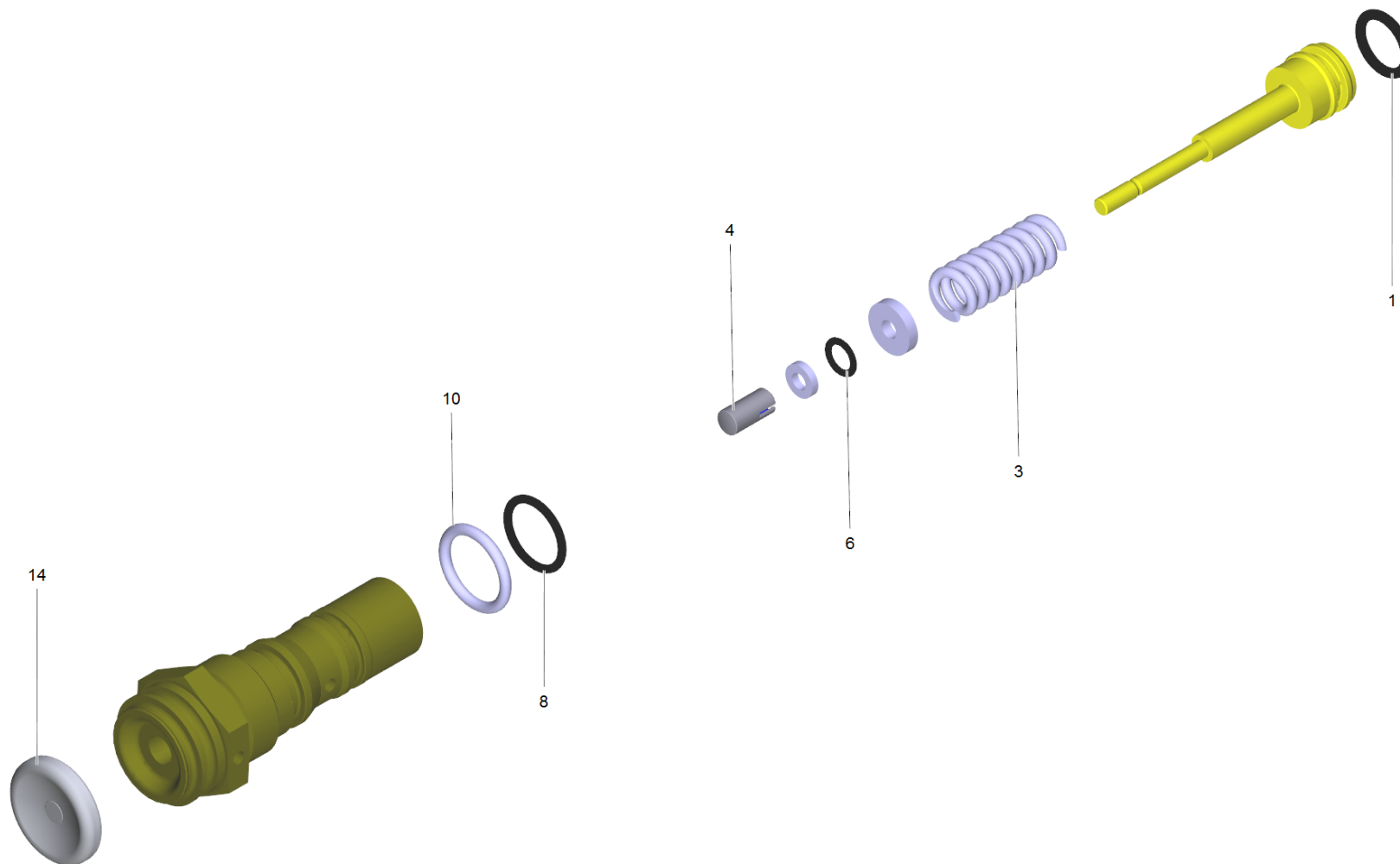
41 HAND TRIGGER GUN EASY PRESS (4.775-463.0)

POS	Article no.	Description	Quantity	Unit
2	4.037-013.0	Hook	1	ST
3	6.368-012.0	Protecting cap 22X1,5	1	ST
4	6.869-075.0	Metal bonding agent 1,5 ml	1	ST
cart_info_txt: This material is not available due to hazardous good regulation. Please procure this or a similar material from a local supplier of your choice.				
25	5.110-596.0	Sleeve	1	ST
32	5.321-669.3	Handhold few	1	ST
34	5.481-331.0	Slider	1	ST
45	7.303-096.0	Screw 4x22 -ST-10.9-R2R (IN6RD)	7	ST
1041	6.288-044.0	Silicon grease 100 G	1	ST
9001	4.427-215.0	Manifold complete only for replacement	1	ST
9002	4.481-209.0	Lever complete	1	ST



9002 Lever complete (4.481-209.0)

POS	Article no.	Description	Quantity	Unit
2	5.314-119.0	Pin	2	ST

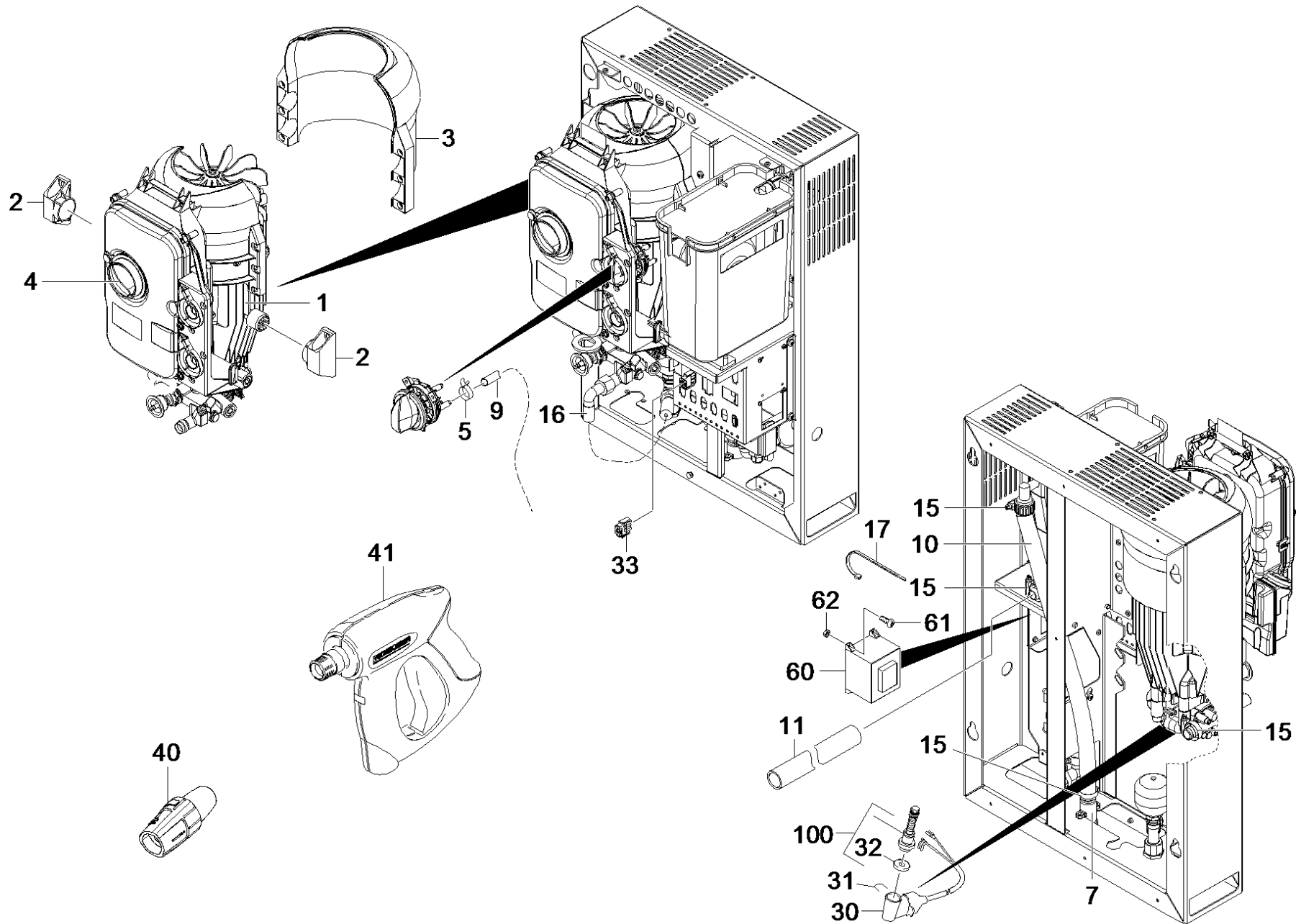


100 Spare part set control piston (2.885-226.0)

POS	Article no.	Description	Quantity	Unit
1	6.363-350.0	O-Ring seal 8.74x1.78	1	ST
3	5.332-511.0	Helical spring	1	ST
4	5.110-947.0	Sleeve	1	ST
6	6.363-330.0	O-Ring seal 2,9 x 1,78	1	ST
8	6.363-452.0	O-Ring seal 11 x 1,5	1	ST
10	6.363-519.0	O-Ring seal 12,00x 2,00	1	ST
14	5.367-030.0	Diaphragm	1	ST

14 Pump set complete HD 9/18-4 ST 400V

POS	Article no.	Description	Quantity	Unit
1000	2.532-013.3	Spare parts list pump set complete HD 9/	1	ST

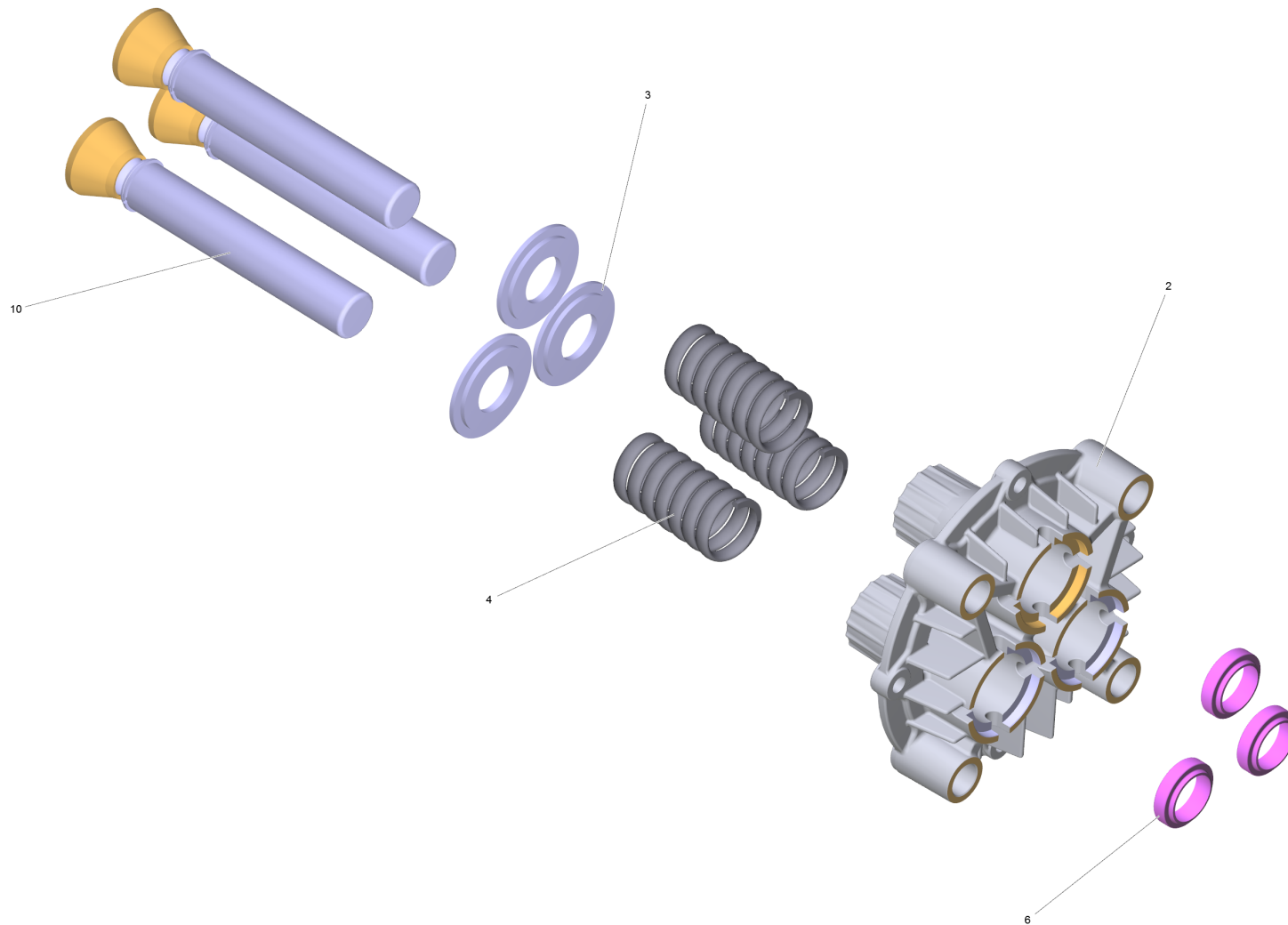


1000 Spare parts list pump set complete HD 9/ (2.532-013.3)

POS	Article no.	Description	Quantity	Unit	Remark
1	4.532-021.0	Pump set HD 9/18-4 ST 400V	1	ST	
2	5.044-998.0	Holder	2	ST	
3	2.885-228.0	Spare part set air circulation	1	ST	
4		Electric control box HD-ST 400V	1	ST	
5	6.390-133.0	Hose clip	2	ST	
6	7.306-190.0	Screw M6x8 -A2-70 (In6Rd)	2	ST	
7	5.427-432.0	Manifold	1	ST	
8	7.312-026.0	Washer 6 -A2 ISO 7089	2	ST	
9	6.388-247.0	Hose DN8 -PVC	1	M	
10	6.388-719.0	Hose DN17	1	M	
11	5.443-628.0	Hose	1	ST	
15	7.373-022.0	Hose clip A-16-27x9 -W2-2 DIN3017	4	ST	
16	6.392-198.0	Hose assembly DN8 40MPa 0,46m	1	ST	
17	6.641-465.0	Cable tape	1	ST	
30	4.744-242.0	Switch kpl. -nur für Ersatz-	1	ST	
31	5.034-494.0	Retaining bracket	1	ST	
32	5.367-030.0	Diaphragm	1	ST	
33	6.649-887.0	Plug triple dummy plug	1	ST	
40	4.117-039.0	Triple jet nozzle TR 055	1	ST	1.524-950.2
40	4.767-066.0	Triple jet nozzle 055	1	ST	1.524-500.2
41	4.118-005.0	EASY!Force Advanced	1	ST	1.524-950.2
41	4.775-463.0	HAND TRIGGER GUN EASY PRESS	1	ST	1.524-500.2
60	6.622-332.0	Control transformer 96VA - E178/40,5 380	1	ST	
61	7.306-058.0	Screw M 4X 12- 8.8-R2R K-IN6RD	4	ST	
62	7.311-569.0	Square nut M4 -04-A2E DIN 562	4	ST	
100	2.885-226.0	Spare part set control piston	1	ST	

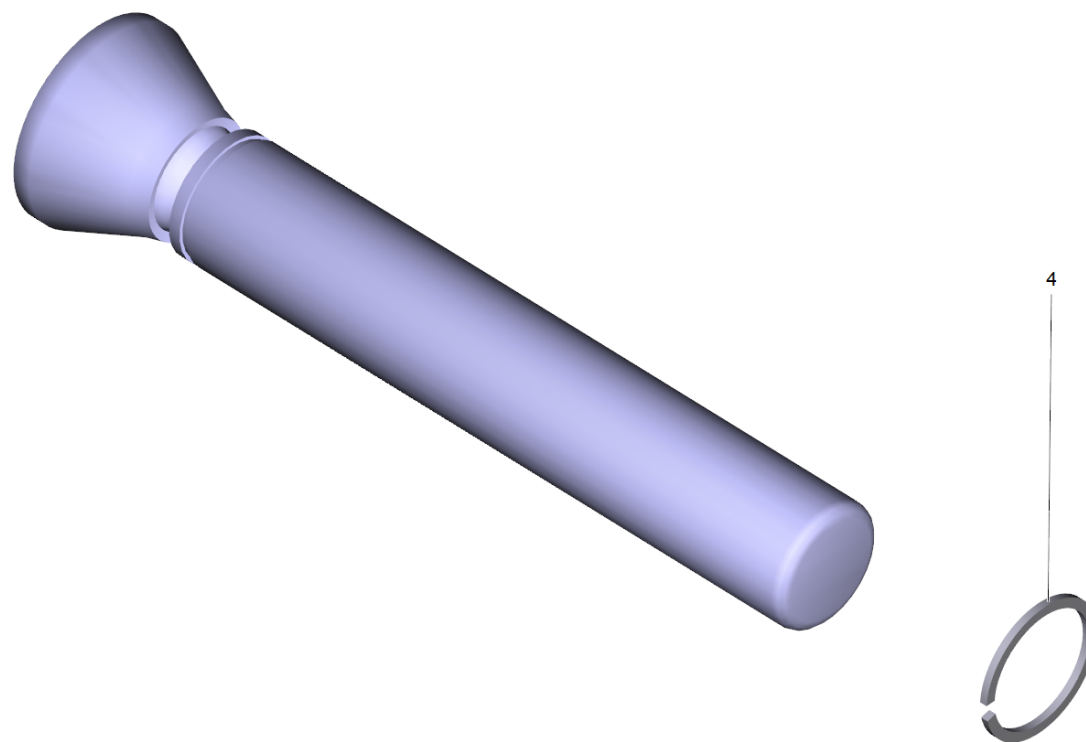
1 Pump set HD 9/18-4 ST 400V (4.532-021.0)

POS	Article no.	Description	Quantity	Unit
2		Thrust guidance complete	1	ST
3	4.624-071.0	Motor complete only for replacement HD 9	1	ST
4		Cylinder head complete HD 9/18-4 ST	1	ST
6	5.011-428.0	Plate bracket	1	ST
7	5.044-918.0	Retaining plate box oil	1	ST
8	5.064-457.0	Cover plate qusty grey oil	1	ST
9	5.070-658.0	Tank oil	1	ST
11	2.885-228.0	Spare part set air circulation	1	ST
14	6.643-151.0	Strip terminal one-pole 16mm ²	1	ZST
18	7.306-180.0	Screw M5x10-A2-70 (In6Rd)	1	ST
20	5.767-005.0	Rubber buffer	4	ST
21	5.365-341.0	Profile gasket long	1	ST
23	6.288-016.0	Gear oil 1L	1	ST
24		Silicon grease	0,005	ZST
26	6.362-722.0	O-Ring seal 28,0 X 3,0	1	ST
27	5.115-255.0	Washer	3	ST
32	5.112-866.0	Bush	3	ST
33	5.132-187.0	Plug	1	ST
45	4.820-578.0	Cable green/yellow 1,5mm ² x450mm	1	ST
50	7.303-031.0	Screw M4x10 -St-P2R (In6Rd)	1	ST
60	7.306-105.0	Screw M6x30 -8.8-R3R (In6Rd)	2	ST
65	7.306-155.0	Cylinder head screw M12x100 -8.8-A3E IS	4	ST
70	7.303-039.0	Screw M5x16 -St-P2R (In6Rd)	3	ST
100	2.885-318.0	Pump set HD 9/18 ST-H	1	ST



2 Thrust guidance complete

POS	Article no.	Description	Quantity	Unit
2	5.061-185.3	Thrust guidance	1	ST
3	5.116-310.0	Washer	3	ST
4	5.332-550.0	Helical spring	3	ST
5	6.288-016.0	Gear oil 1L	1	ST
6	6.365-052.0	Grooved ring 20X28X6/8	3	ST
10	4.553-279.0	Piston complete	3	ST

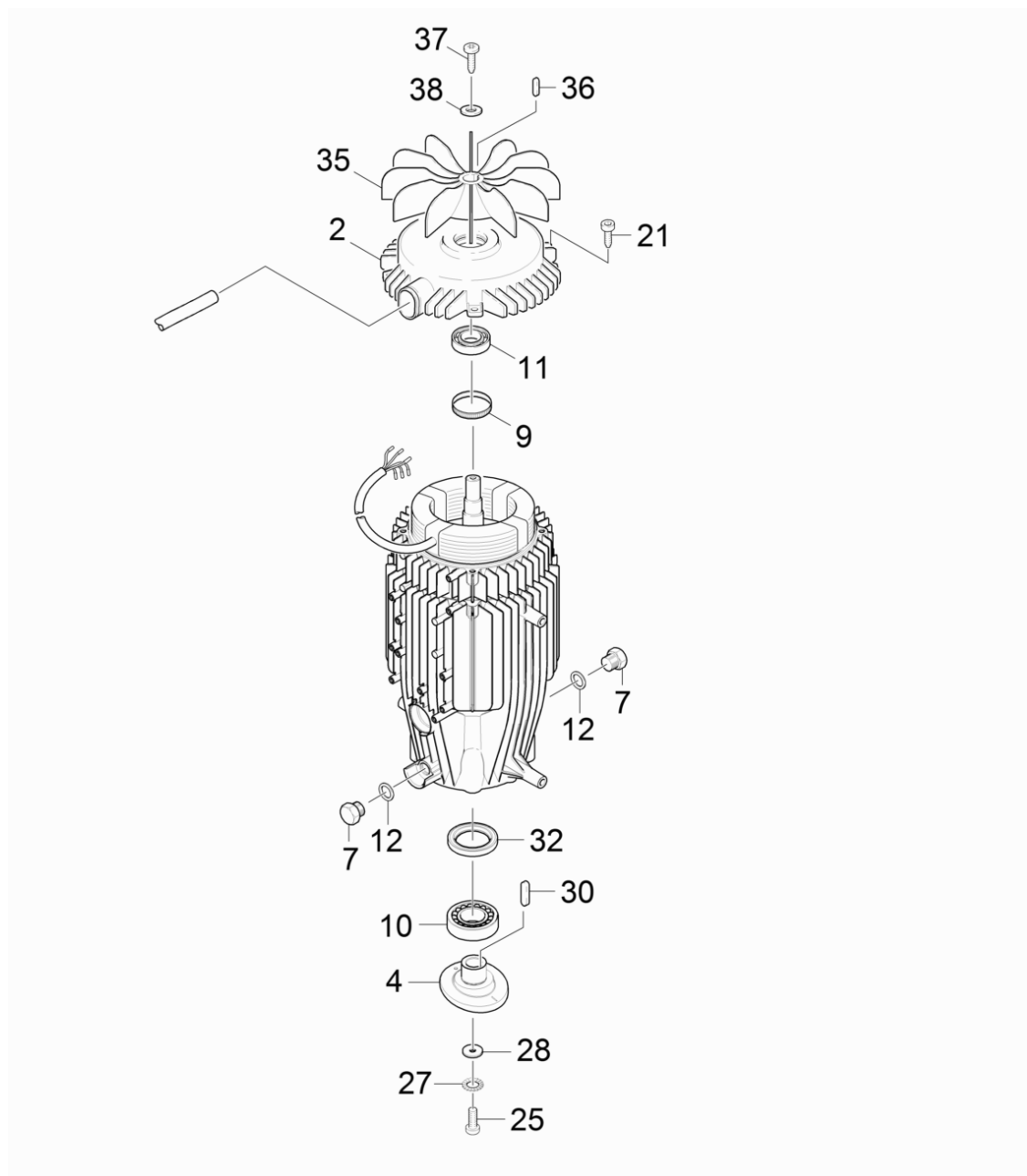


10 Piston complete (4.553-279.0)

POS	Article no.	Description	Quantity	Unit
4	6.472-331.0	Snap ring 20	1	ST

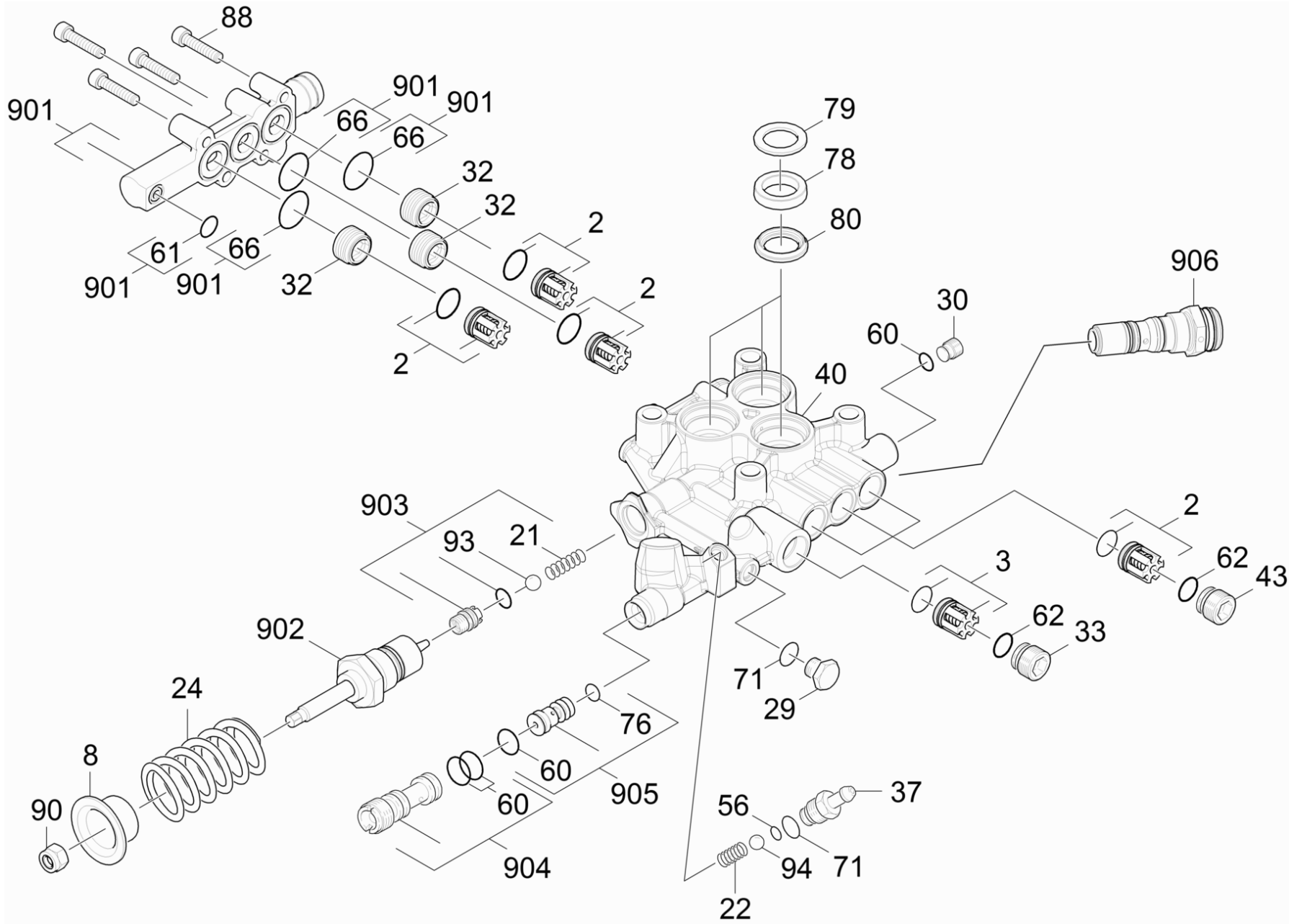
3 Motor complete only for replacement HD 9 (4.624-071.0)

POS	Description	Quantity	Unit
1	Motor complete HD 9/18-4ST 400V	1	ST



1 Motor complete HD 9/18-4ST 400V

POS	Article no.	Description	Quantity	Unit
2	5.063-707.0	Bearing cover B	1	ST
4	4.120-239.0	Wobble plate -nur für Ersatz-	1	ST
7	5.411-100.0	Screw plug	2	ST
9	6.343-171.0	Tolerance ring	1	ST
10	6.401-405.0	Taper roller bearing	1	ST
11	6.401-285.0	Ball bearing 6204 2RS	1	ST
12	6.363-498.0	O-Ring seal 11,0x2,0 HNBR	2	ST
21	7.303-048.0	Screw M6x20 -St-R3R (In6Rd)	4	ST
25	7.306-041.0	Cylinder head screw M8x20 -8.8-A2E ISO	1	ST
27	7.312-159.0	Toothed lock washer A8,4-FST-PH DIN 679	1	ST
28	5.115-565.0	Washer	1	ST
30	7.318-030.0	Parallel key 6x6x25 -C45K DIN 6885-1	1	ST
32	7.367-012.0	Radial shaft seal ring A35x52x7 -FKM DIN	1	ST
35	5.600-046.0	Blower wheel	1	ST
36	7.318-079.0	Parallel key A 5x5x25-C45K DIN 6885	1	ST
37	7.312-260.0	Washer 6 -100HV-A3E ISO 7094	1	ST
38	7.306-092.0	Screw M6x20-ST- 8.8-R3R (IN6RD)	1	ST

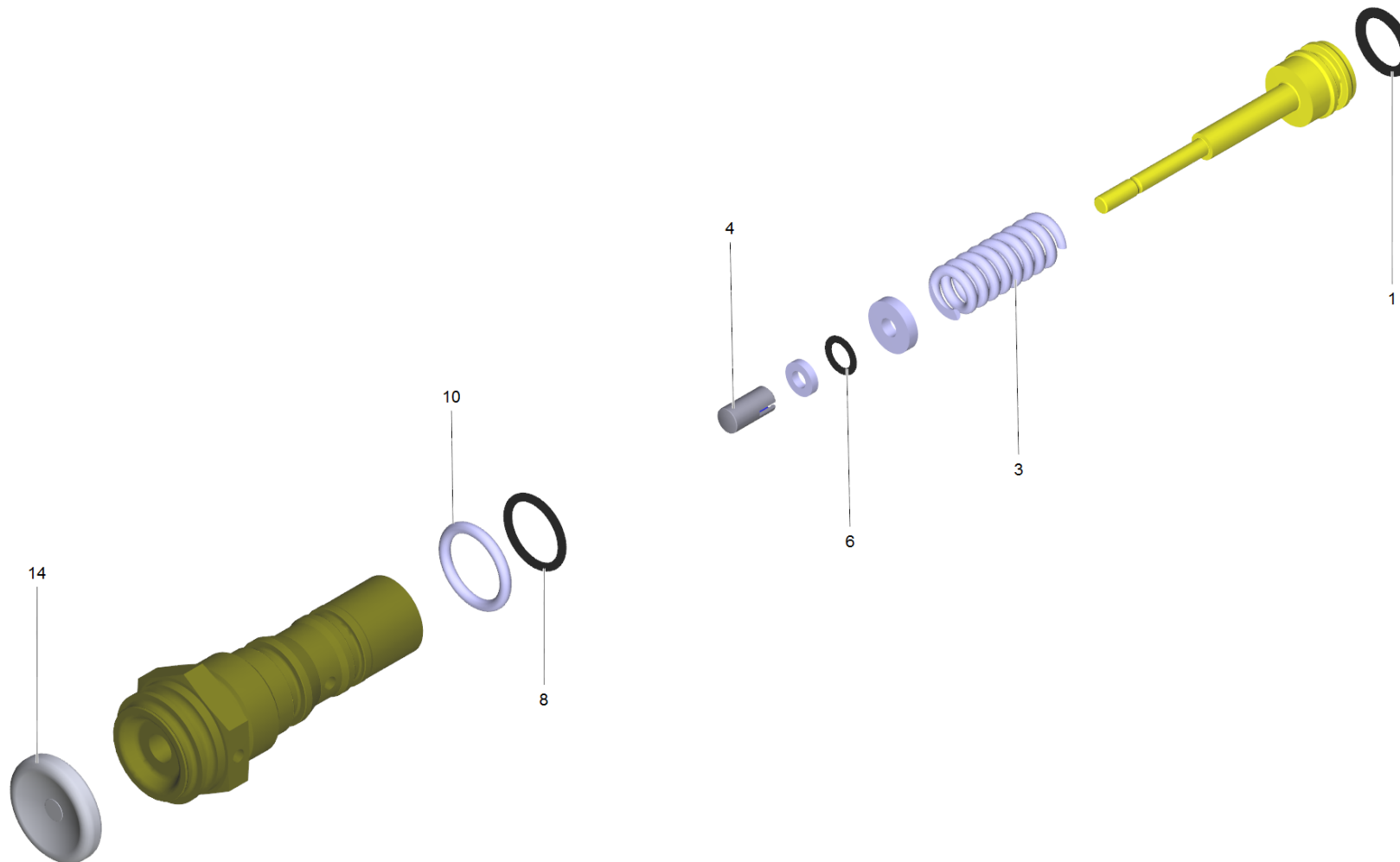


4 Cylinder head complete HD 9/18-4 ST

POS	Article no.	Description	Quantity	Unit
2		Part at pump set	1	ST
3		Part at pump set	1	ST
8	5.112-757.0	Bush	1	ST
21	5.332-999.0	Helical spring	1	ST
22	5.332-258.0	Helical spring	1	ST
24	5.332-530.0	Helical spring	1	ST
25		Silicon grease	0,005	ZST
29	5.411-070.0	Screw plug	1	ST
30	5.411-152.0	Screw plug	1	ST
32	5.583-177.0	Valve screw M20x1	3	ST
33	5.411-166.0	CLOSING SCREW	1	ST
37	5.443-370.0	Nipple	1	ST
40	4.550-977.0	Spare part set cylinder head	1	ST
43	5.583-146.3	Valve screw	3	ST
56	6.363-597.0	O-Ring seal 5,28 x 1,78	1	ST
58	6.362-445.0	O-Ring seal 16,0 X 2,4-NBR 80	1	ST
60	6.362-384.0	O-Ring seal 9x1,5 - NBR 70	4	ST
61		Part at pump set	1	ST
62		Part at pump set	1	ST
66		Part at pump set	1	ST
71		Part at pump set	1	ST
76	6.363-282.0	O-Ring seal 6,3x2,4-NBR 70	1	ST
78		Part at pump set	1	ST
79	6.365-379.0	Supportring	3	ST
80	6.365-378.0	Supportring 20x30x4,2	3	ST
88	7.306-019.0	Cylinder head screw M8x35 -A4-70 ISO 47	4	ST
90	7.311-510.0	Hexagon nut M 8-8-A2E ISO 7040	1	ST
93	7.401-907.0	Sphere 3/8 G200-1.4301 DIN 5401	1	ST
94	7.401-908.0	Sphere 7 G300 -1.4301 DIN 5401	1	ST
901	4.064-024.0	Suction cover complete only for replacem	1	ST
902	2.885-227.0	Spare part set overflow valve	1	ST
903	4.481-256.0	Valve seat complete	1	ST
904	4.769-054.0	Nozzle insert kpl.	1	ST

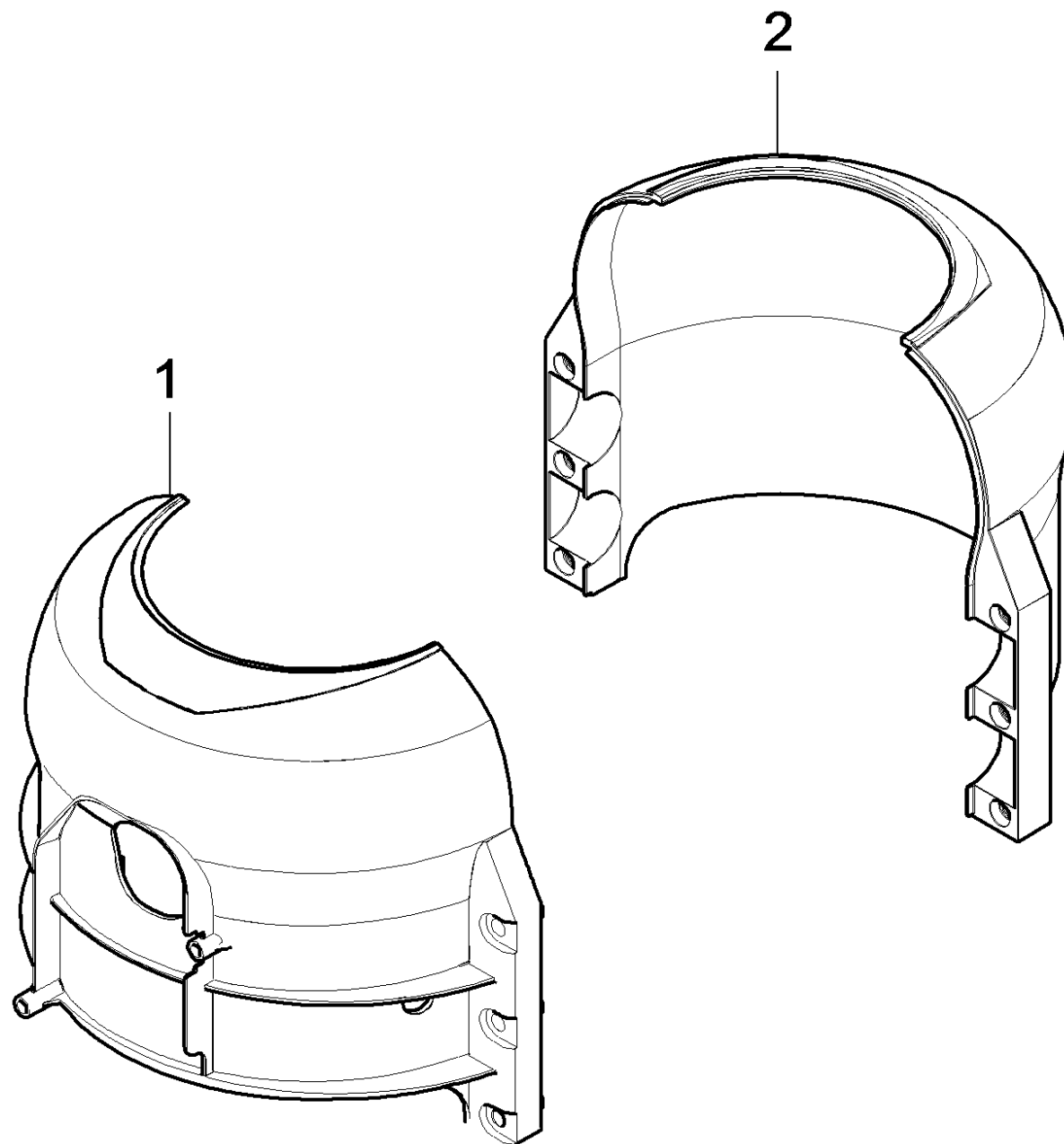
4 Cylinder head complete HD 9/18-4 ST

POS	Article no.	Description	Quantity	Unit
905	2.885-230.0	Spare part set nozzle insert only for re	1	ST
906	2.885-226.0	Spare part set control piston	1	ST



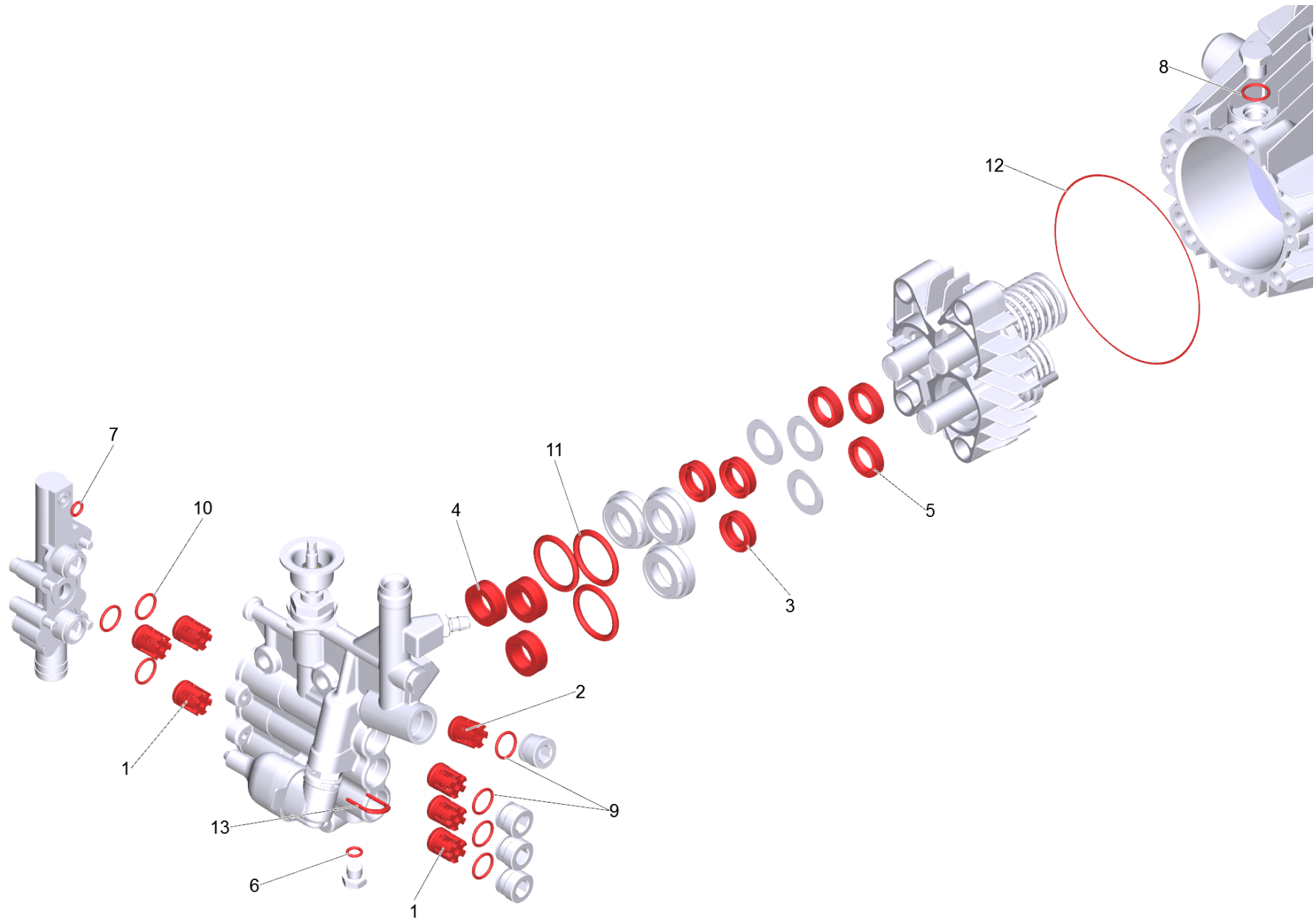
906 Spare part set control piston (2.885-226.0)

POS	Article no.	Description	Quantity	Unit
1	6.363-350.0	O-Ring seal 8.74x1.78	1	ST
3	5.332-511.0	Helical spring	1	ST
4	5.110-947.0	Sleeve	1	ST
6	6.363-330.0	O-Ring seal 2,9 x 1,78	1	ST
8	6.363-452.0	O-Ring seal 11 x 1,5	1	ST
10	6.363-519.0	O-Ring seal 12,00x 2,00	1	ST
14	5.367-030.0	Diaphragm	1	ST



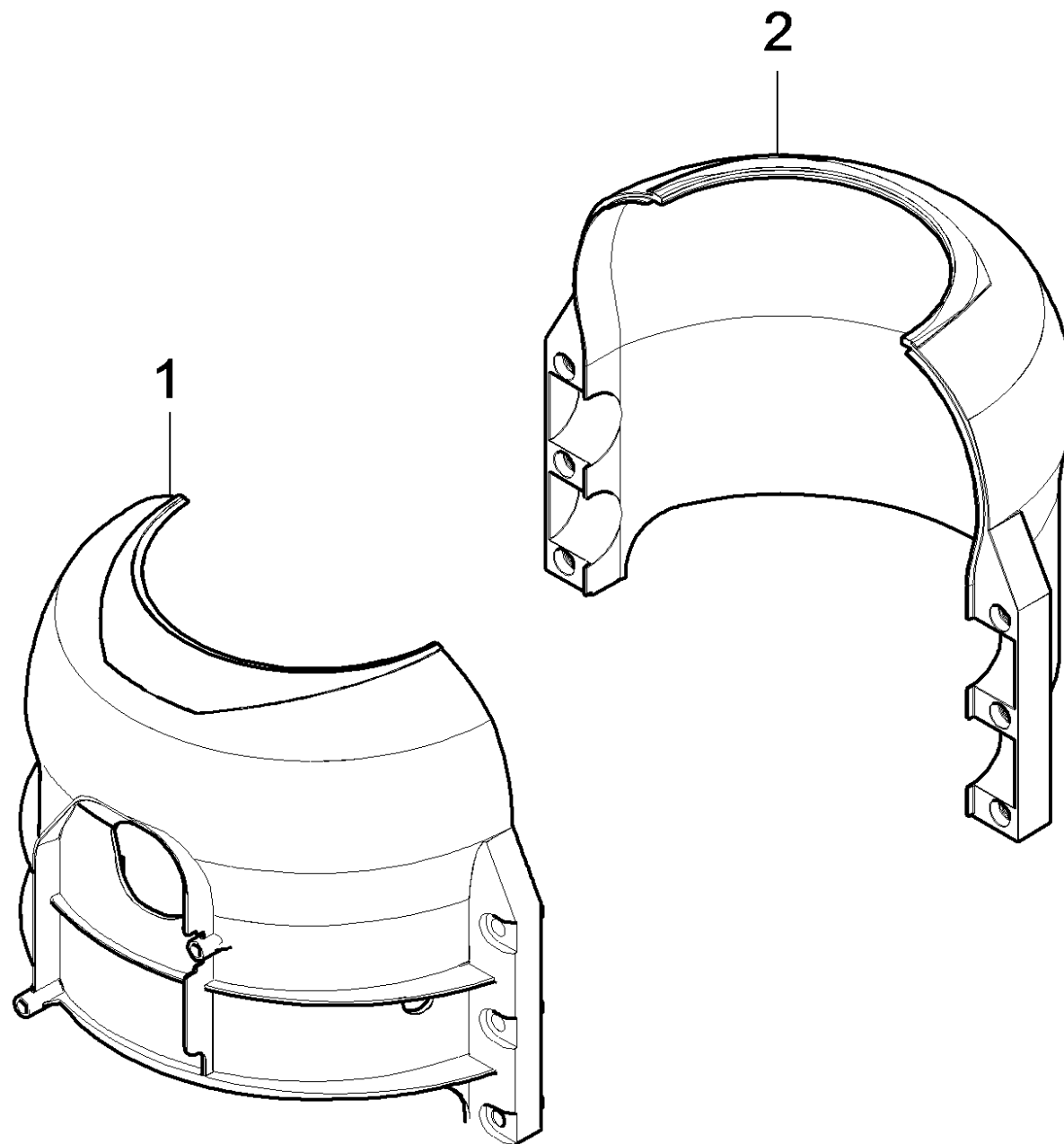
11 Spare part set air circulation (2.885-228.0)

POS	Description	Quantity	Unit
1	Air circulation front	1	ST
2	Air circulation rear	1	ST



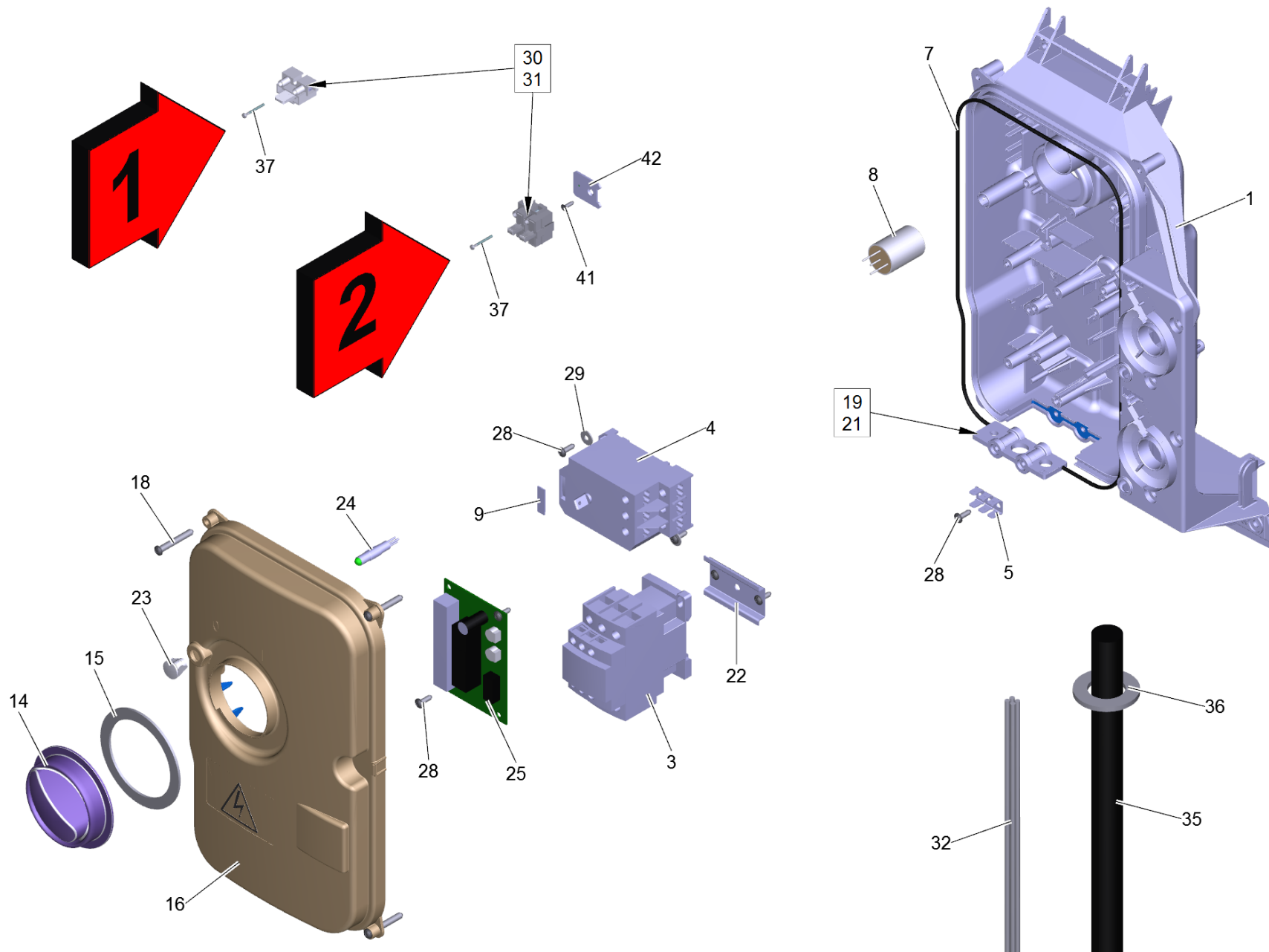
100 Pump set HD 9/18 ST-H (2.885-318.0)

POS	Article no.	Description	Quantity	Unit
1	2.885-139.0	Valve (3Stueck)	2	ST
2	4.580-734.0	Valve complete	1	ST
3	2.885-431.0	Set of gaskets ND PTFE 3x	1	ST
4	2.885-235.0	Set of gaskets high pressure W1 (3 Stuec	1	ST
5	6.365-436.0	Grooved ring 20X28X7/6	3	ST
6	6.363-496.0	O-Ring seal 7,0x2,0	3	ST
7	6.363-492.0	O-Ring seal 8,0x1,5	1	ST
8	6.363-498.0	O-Ring seal 11,0x2,0 HNBR	1	ST
9	6.363-459.0	O-Ring seal 14 x 2	4	ST
10	6.363-494.0	O-Ring seal 20,0x1,5	3	ST
11	6.363-548.0	O-Ring seal 32,0 x 2,0	3	ST
12	6.363-501.0	O-Ring seal 101,27x2,62 HNBR	1	ST
13	5.034-494.0	Retaining bracket	1	ST
14	6.288-072.0	Silicon grease	1	ST



3 Spare part set air circulation (2.885-228.0)

POS	Description	Quantity	Unit
1	Air circulation front	1	ST
2	Air circulation rear	1	ST

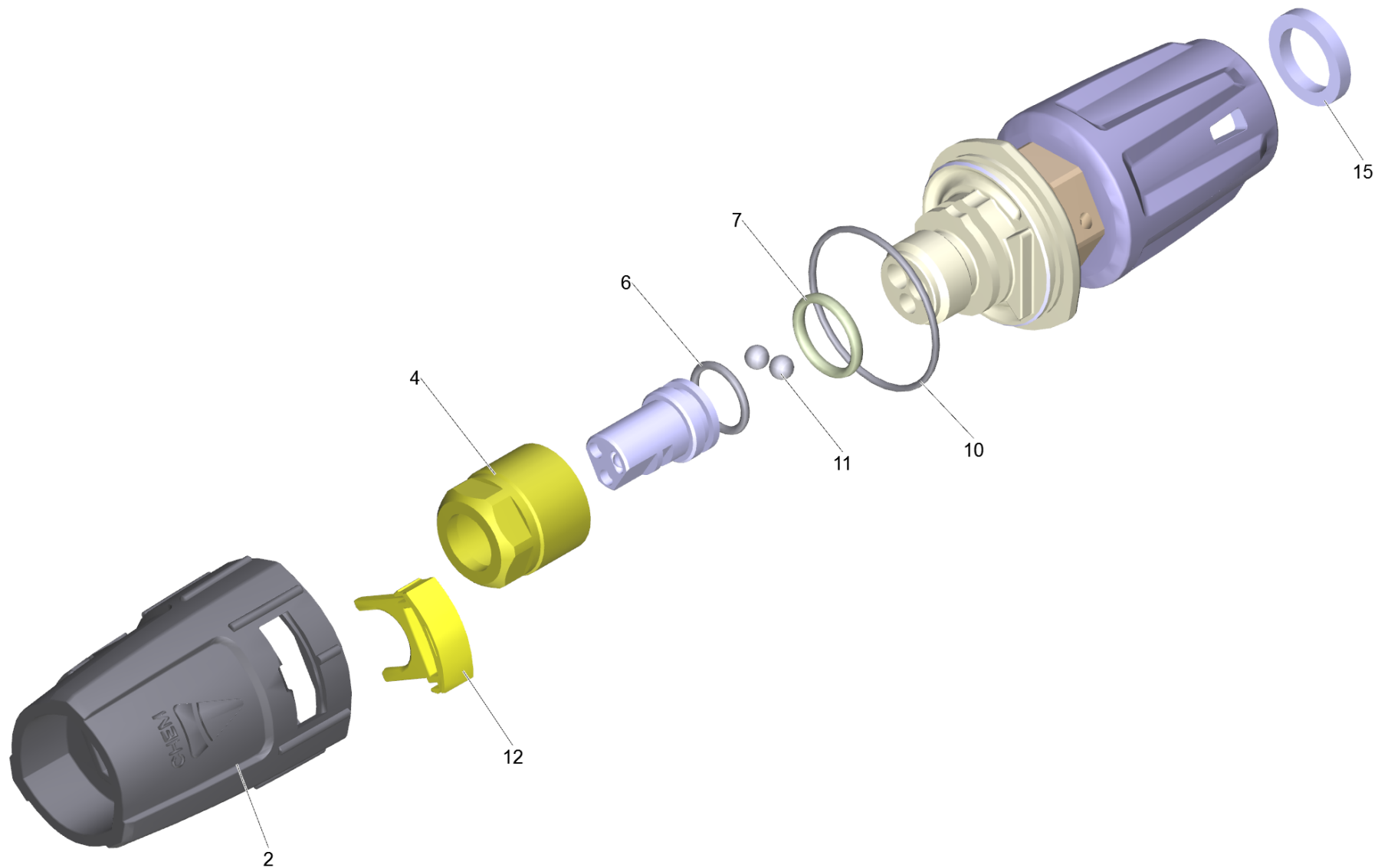


4 Electric control box HD-ST 400V

POS	Article no.	Description	Quantity	Unit	Foot note text
1	5.062-336.0	Housing electric control box	1	ST	
3	6.632-356.0	Contactor LC1-D18 B7	1	ST	
4	6.631-190.0	Motor protecting switch	1	ST	
5	6.641-270.0	Plug	1	ST	
7	6.273-037.0	Seal string cellular rubber 3	0,8	M	
8	6.661-302.0	Interference suppressor triple-pole	1	ST	
9	6.630-049.0	Cap	1	ST	
10	4.820-476.0	Cable black 2,5mm ² x250mm	3	ST	
14	5.321-692.0	Handle	1	ST	
15	5.363-616.0	Joint ring	1	ST	
16	5.064-413.0	Cover electric control box	1	ST	
18	7.303-085.0	Screw 4x 35 -10.9-R2R (K-In6Rd)	4	ST	
19	5.263-101.0	Tensioning part 10.5/14/7	2	ST	
20	6.641-463.0	Cable tape	4	ST	
21		Sheet metal screw ST3,9x45 -St-A2K-C-H I	2	ST	
22	5.802-261.0	Mounting part	1	ST	
23	6.651-506.0	Lens housing	1	ST	
24	6.651-505.0	Pilot lamp	1	ST	
25	6.984-610.0	Circuit board control system HD-ST	1	ST	
27	4.820-793.0	Cable brown 1,0mm ² x200mm	2	ST	
28	7.303-106.0	Screw 4x12 -10.9-R2R (IN6RD)	7	ST	
29	7.312-281.0	Washer 4 -200HV-A2E ISO7093-1	2	ST	
30	6.643-336.0	Strip terminal	2	ST	VERSION 1
30	6.643-471.0	Strip terminal with fuse	2	ST	VERSION 2
31	6.644-070.0	Fuse insert medium time-lag G-5,0A	2	ST	
32	6.649-844.0	Cable harness HD-ST	1	ST	
35	6.649-442.0	Cable with plug	1	ST	
36	7.312-098.0	Washer 27 -PA6.6-Natur ISO 7089	1	ST	
37	6.303-245.0	Cylinder head screw 3X18-ST-A2E	1	ST	VERSION 1
37	7.306-045.0	Screw M2x20 -4.8-A2K DIN 84	1	ST	VERSION 2
40	6.642-043.0	Insulating hose 10	0,36	M	
41	7.303-119.0	Countersunk screw 3x10 -10.9-R2R (In6Rd)	1	ST	VERSION 2
42	5.013-470.0	Plate clamp	1	ST	VERSION 2

40 Triple jet nozzle TR 055 (4.117-039.0)

POS	Description	Quantity	Unit
1	Triple jet nozzle TR 055	1	ST



1 Triple jet nozzle TR 055

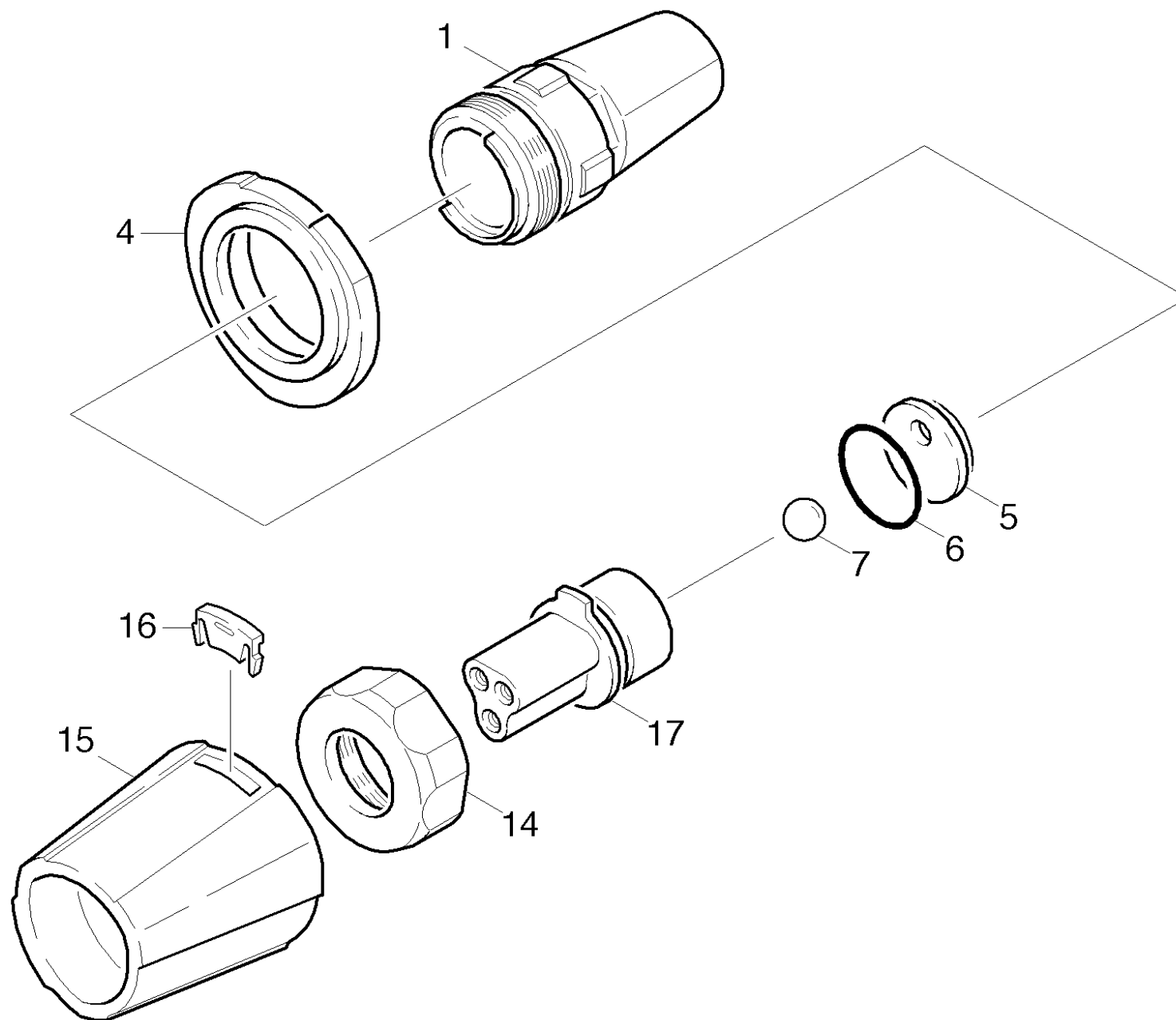
POS	Article no.	Description	Quantity	Unit
2	5.394-859.0	Protection part	1	ST
4	5.311-225.0	Nut	1	ST
6	6.362-480.0	O-Ring seal 12,42x 1,78	1	ST
7	6.362-460.0	O-Ring seal 14,0 X 2,5-NBR 70	1	ST
10	6.362-409.0	O-Ring seal 32,0 X 1,5	1	ST
11	7.401-902.0	Sphere 5 G20 -1.4034 DIN 5401	2	ST
12	5.321-884.0	Clamp	1	ST
15	6.363-696.0	Brake ring 14x20x3	1	ST

40 Triple jet nozzle 055 (4.767-066.0)

POS	Article no.	Description	Quantity	Unit
2	5.970-000.0	Spare parts list triple jet nozzle	1	ST
Item text2: 47670660				

2 Spare parts list triple jet nozzle (5.970-000.0)

POS	Description	Quantity	Unit
10	Triple jet nozzle	1	ST

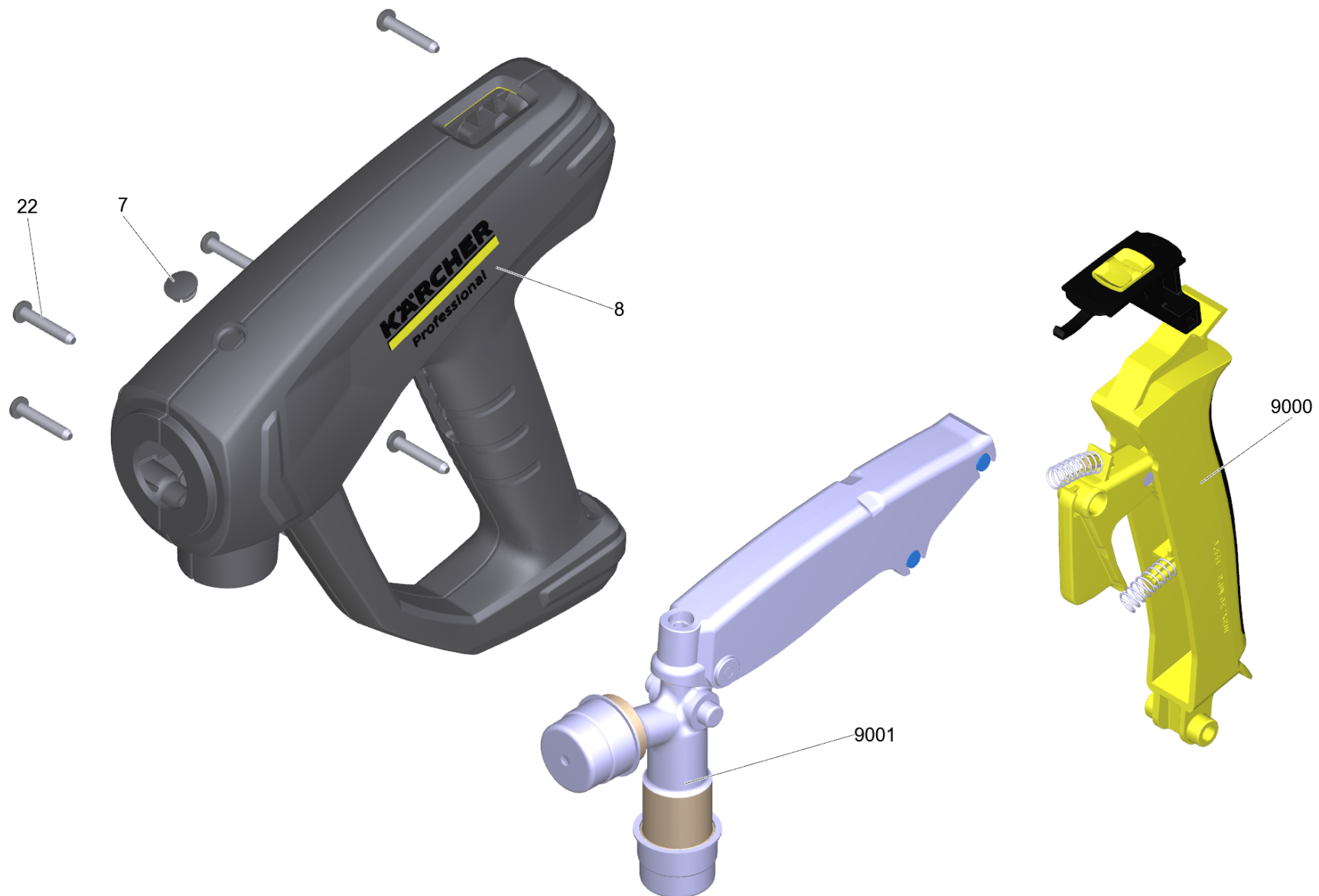


10 Triple jet nozzle

POS	Article no.	Description	Quantity	Unit	Remark
1	4.060-395.0	Housing complete only for replacement	1	ST	
4	5.394-401.0	Protection part	1	ST	
5	5.031-370.0	Moulded part	1	ST	
6	6.363-612.0	O-Ring seal 22 x 2 -NBR90	1	ST	
7	7.401-917.0	Sphere 10,0 G100-1.4301 DIN 5401	1	ST	
14	5.311-192.0	Union nut	1	ST	
15	5.394-402.0	Protection part	1	ST	
16	5.031-709.0	Moulded part	1	ST	
17	4.764-157.0	Nozzle holder 047	1	ST	4.767-064.0
17	4.764-158.0	Nozzle holder 05	1	ST	4.767-065.0
17	4.764-159.0	Nozzle holder 055	1	ST	4.767-066.0
17	4.764-161.0	Nozzle holder 08	1	ST	4.767-068.0
17	4.764-169.0	Nozzle holder 09	1	ST	4.767-075.0
17	4.764-173.0	Nozzle holder 0100	1	ST	4.767-106.0
17	7.777-999.0	Stockpiling discontinued	1	ST	4.767-067.0/-069.0

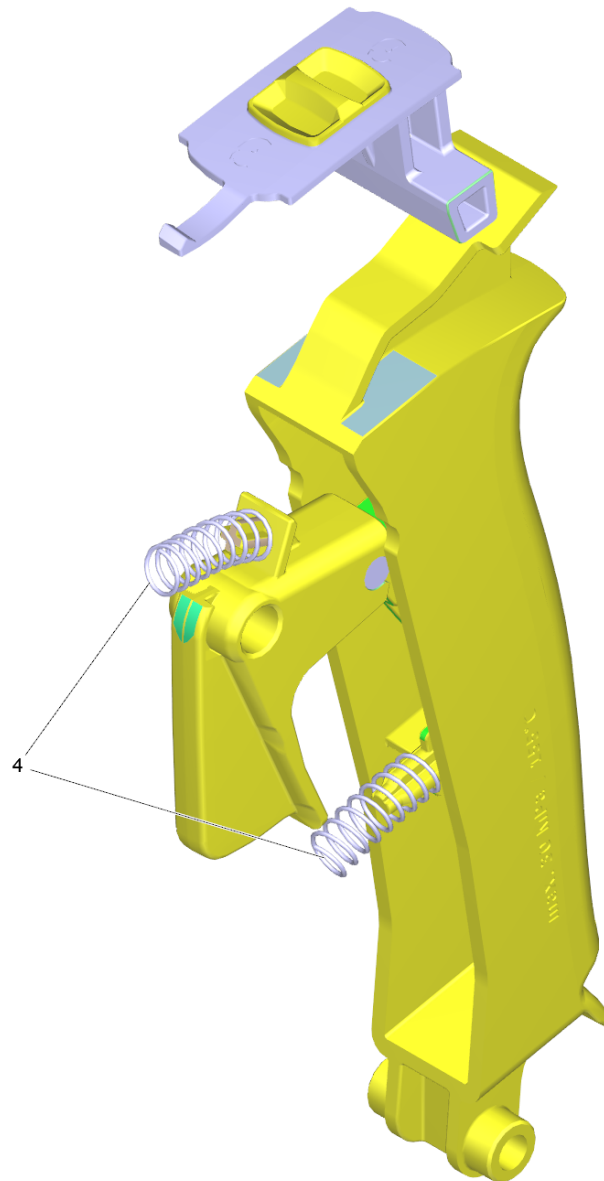
17 Nozzle holder 055 (4.764-159.0)

POS	Article no.	Description	Quantity	Unit
1	5.031-597.0	Rectifier	2	ST
	Item text2: 47641590			
7	6.362-661.0	O-Ring seal 5,0 X 1,0-NBR 80	3	ST
	Item text2: 47641590			
8	6.363-612.0	O-Ring seal 22 x 2 -NBR90	1	ST
	Item text2: 47641590			



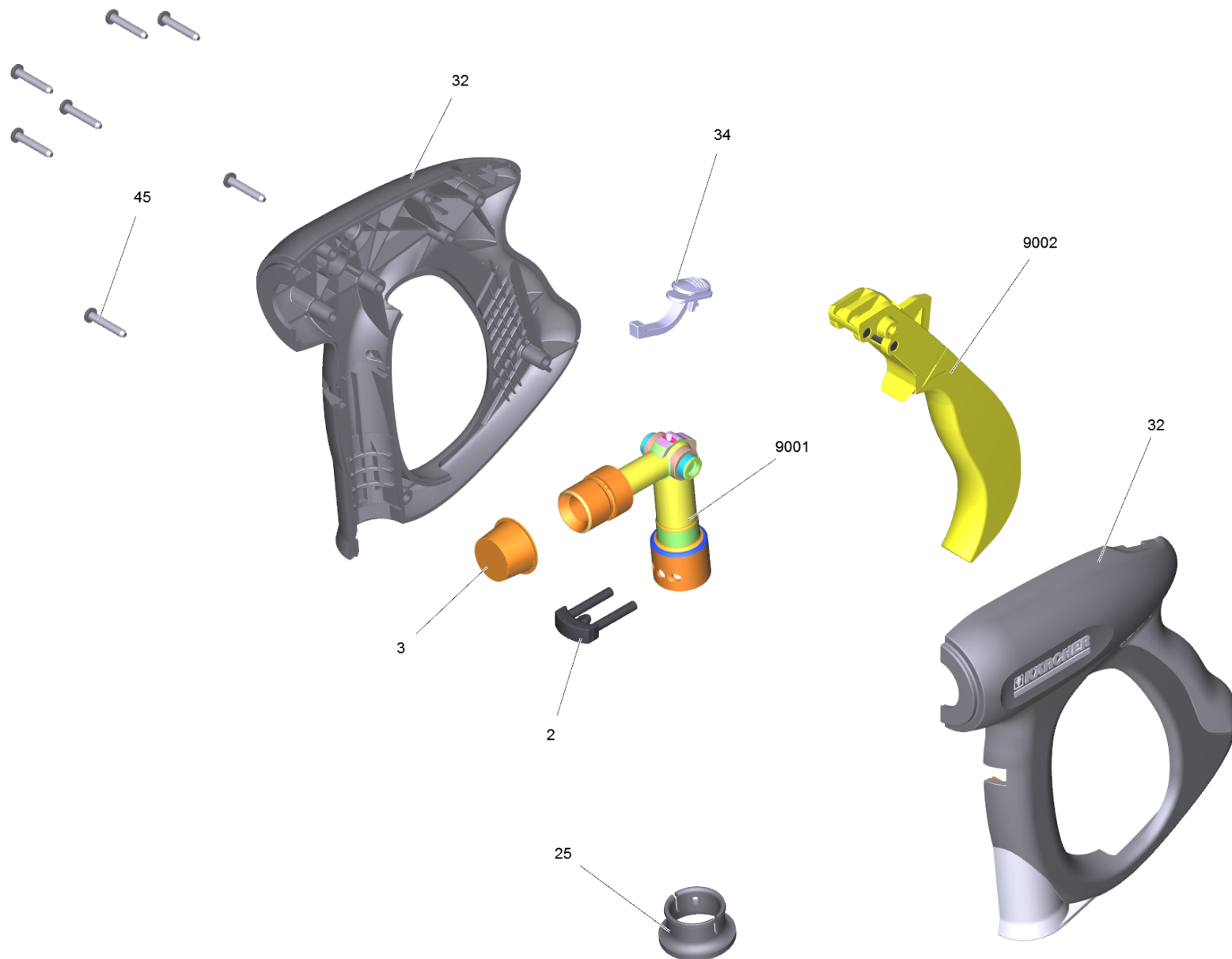
41 EASY!Force Advanced (4.118-005.0)

POS	Article no.	Description	Quantity	Unit
7	5.132-001.0	Plug	1	ST
8	5.321-136.3	Handhold few EH 155 only for replacement	1	ST
22	7.303-096.0	Screw 4x22 -ST-10.9-R2R (IN6RD)	7	ST
9000	2.885-483.0	Spare part set lever	1	ST
9001	4.427-014.0	Manifold TR EH 155 nur fuer Ersatz	1	ST



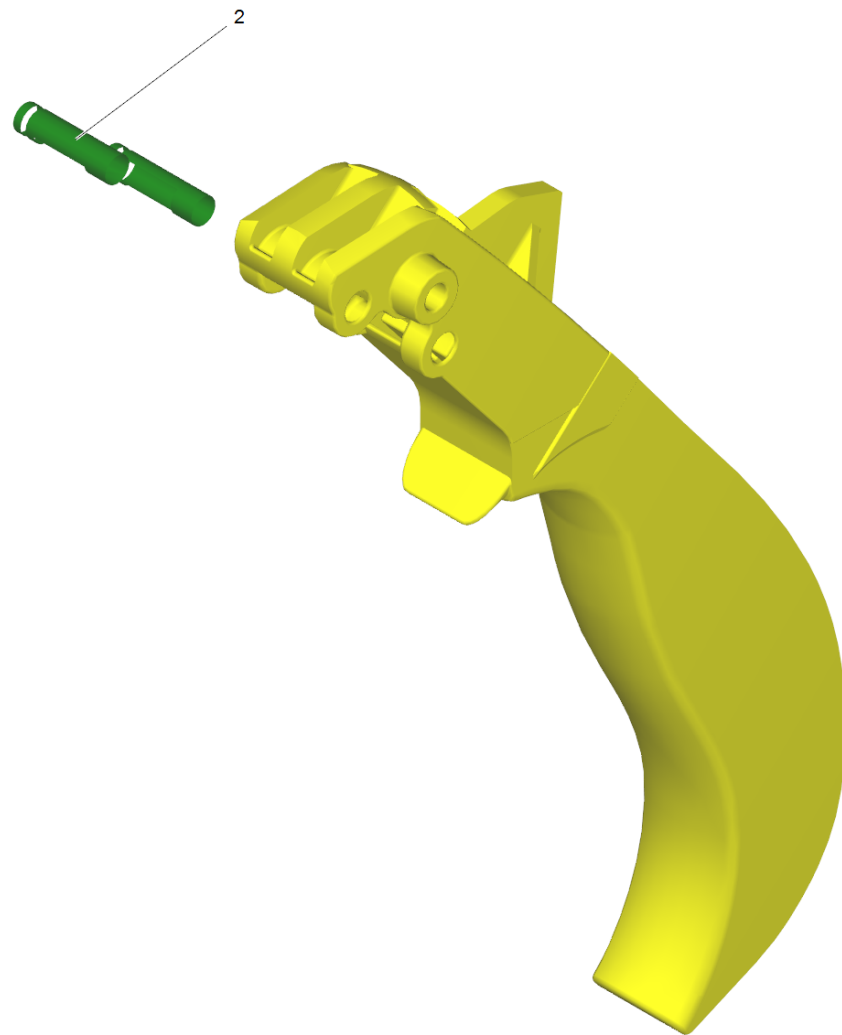
9000 Spare part set lever (2.885-483.0)

POS	Article no.	Description	Quantity	Unit
4	5.332-178.0	Helical spring	2	ST



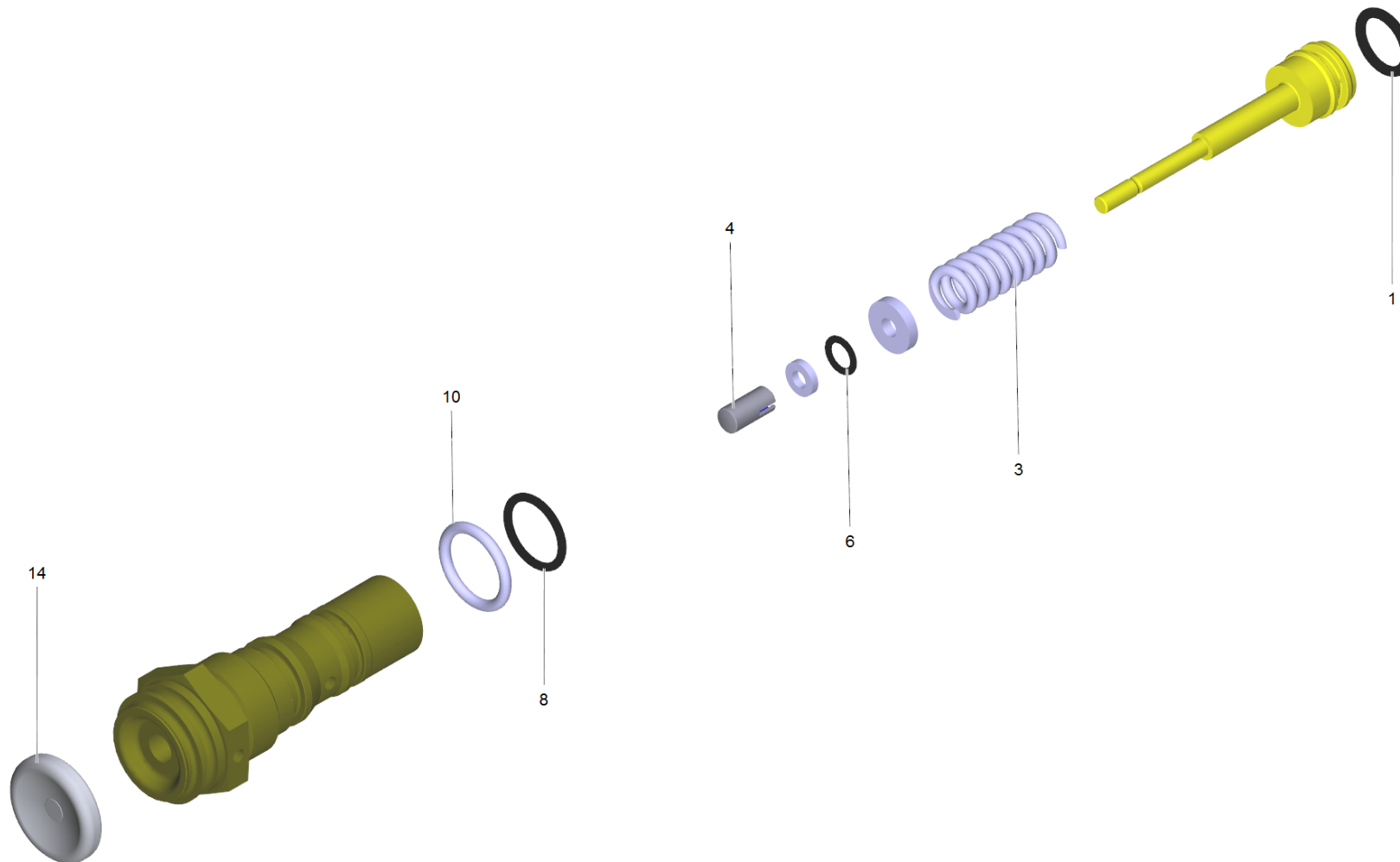
41 HAND TRIGGER GUN EASY PRESS (4.775-463.0)

POS	Article no.	Description	Quantity	Unit
2	4.037-013.0	Hook	1	ST
3	6.368-012.0	Protecting cap 22X1,5	1	ST
4	6.869-075.0	Metal bonding agent 1,5 ml	1	ST
cart_info_txt: This material is not available due to hazardous good regulation. Please procure this or a similar material from a local supplier of your choice.				
25	5.110-596.0	Sleeve	1	ST
32	5.321-669.3	Handhold few	1	ST
34	5.481-331.0	Slider	1	ST
45	7.303-096.0	Screw 4x22 -ST-10.9-R2R (IN6RD)	7	ST
1041	6.288-044.0	Silicon grease 100 G	1	ST
9001	4.427-215.0	Manifold complete only for replacement	1	ST
9002	4.481-209.0	Lever complete	1	ST



9002 Lever complete (4.481-209.0)

POS	Article no.	Description	Quantity	Unit
2	5.314-119.0	Pin	2	ST

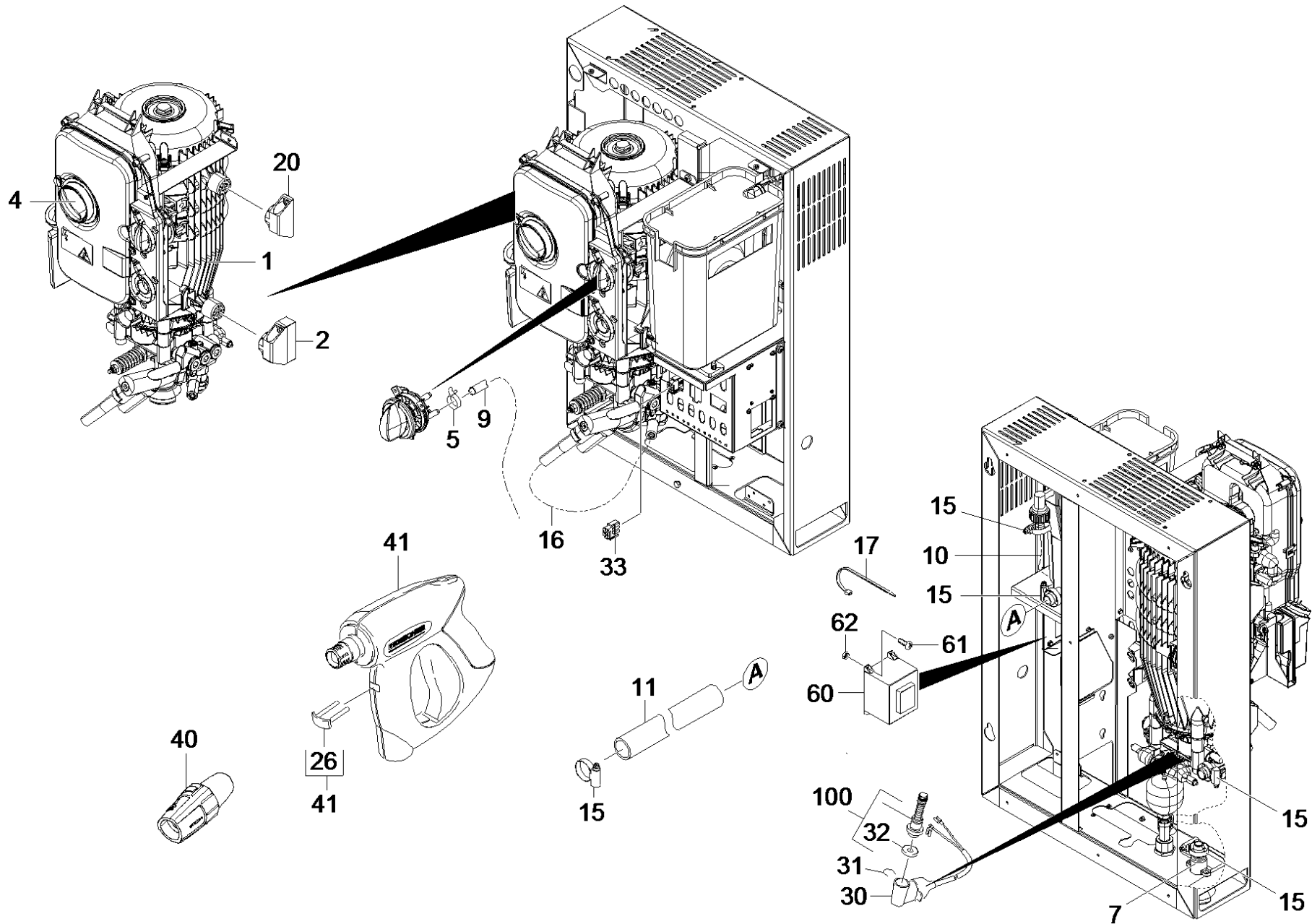


100 Spare part set control piston (2.885-226.0)

POS	Article no.	Description	Quantity	Unit
1	6.363-350.0	O-Ring seal 8.74x1.78	1	ST
3	5.332-511.0	Helical spring	1	ST
4	5.110-947.0	Sleeve	1	ST
6	6.363-330.0	O-Ring seal 2,9 x 1,78	1	ST
8	6.363-452.0	O-Ring seal 11 x 1,5	1	ST
10	6.363-519.0	O-Ring seal 12,00x 2,00	1	ST
14	5.367-030.0	Diaphragm	1	ST

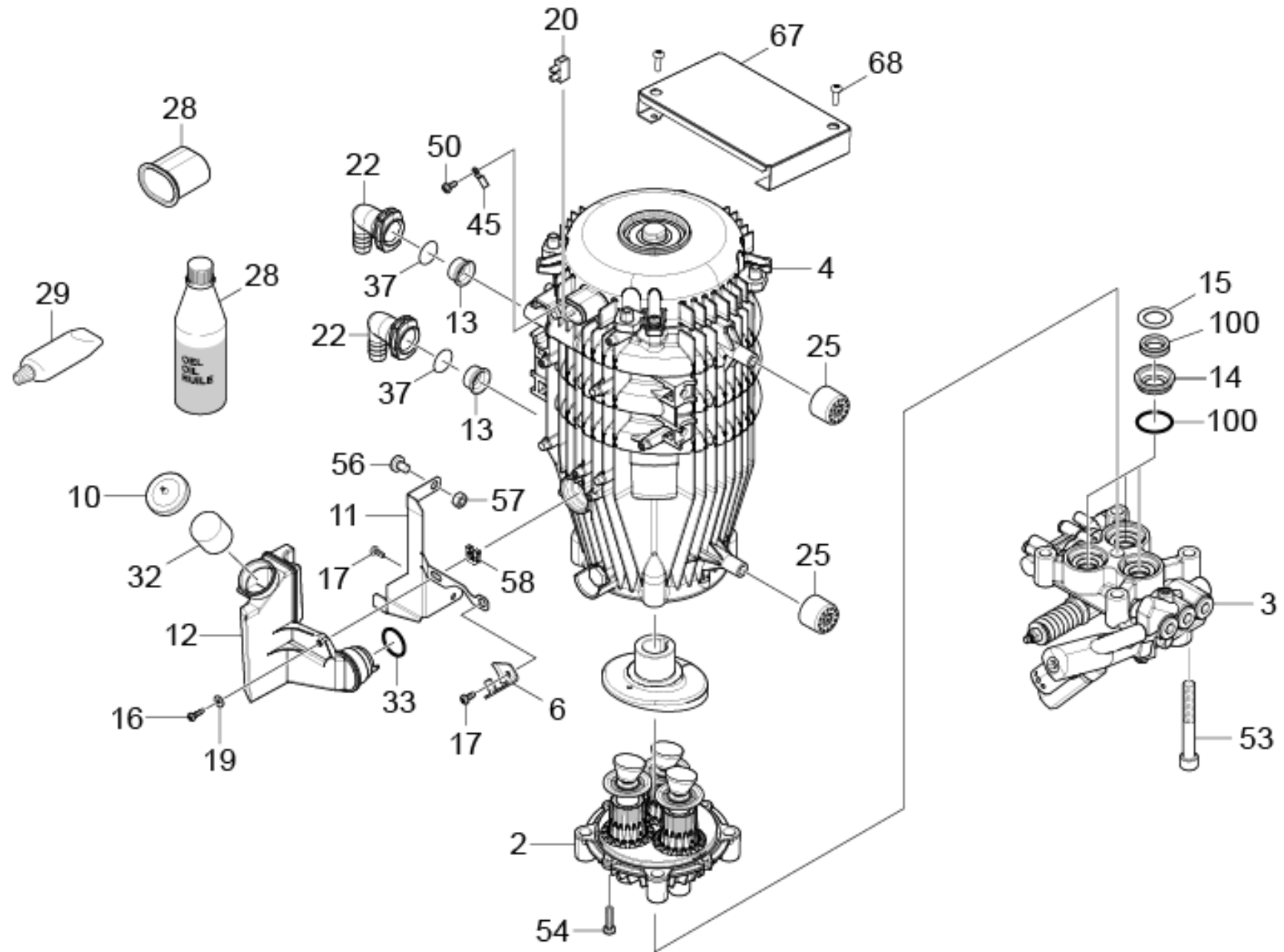
15 Pump set complete HD 13/12-4 ST 400V

POS	Article no.	Description	Quantity	Unit
1000	2.532-016.3	Spare parts list pump set complete HD 13	1	ST



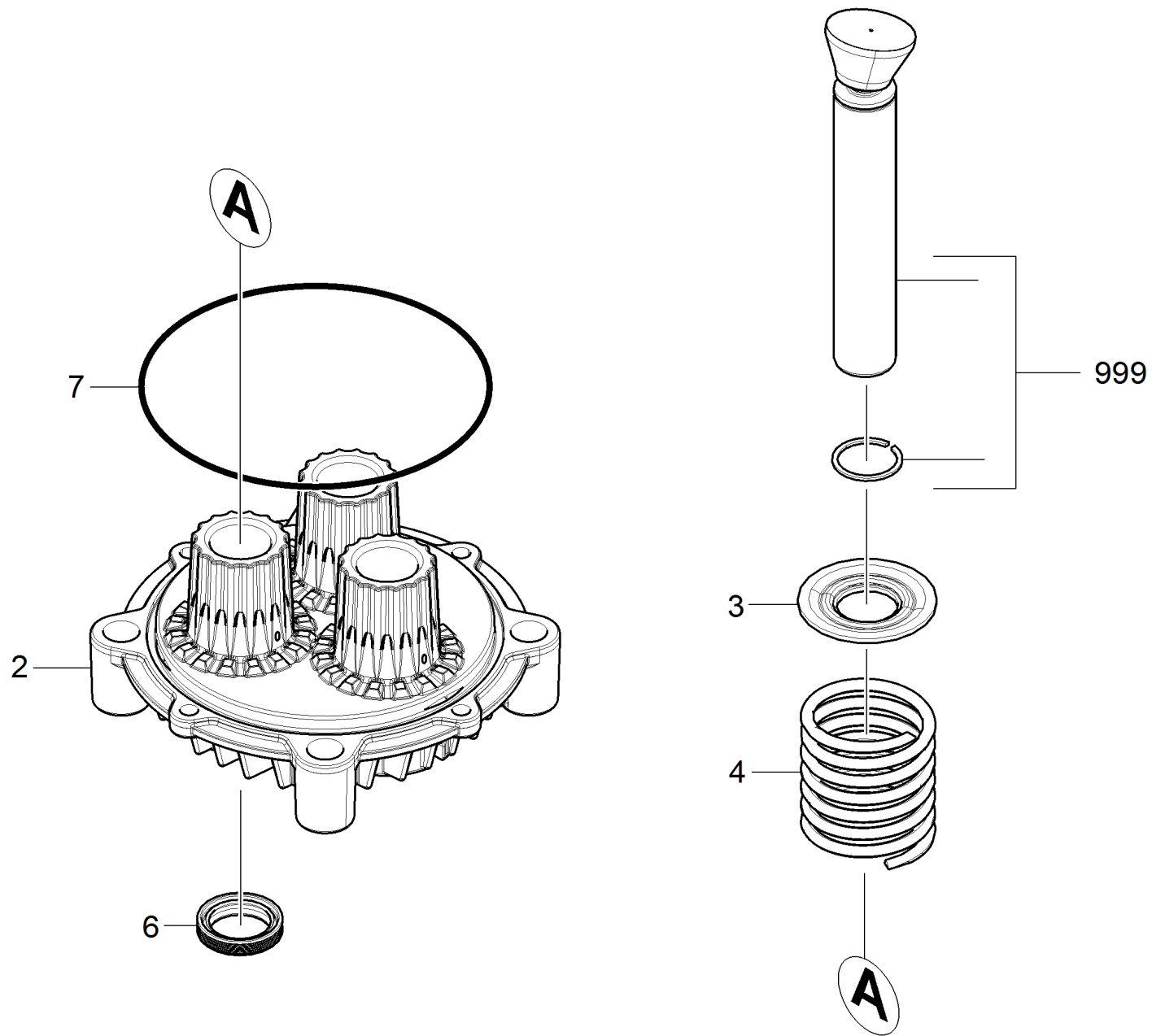
1000 Spare parts list pump set complete HD 13 (2.532-016.3)

POS	Article no.	Description	Quantity	Unit	Remark
1		Pump set HD 13/12-4 ST 400V	1	ST	
2	5.044-998.0	Holder	2	ST	
4		Electric control box HD-ST 400V	1	ST	
5	6.390-133.0	Hose clip	2	ST	
7	5.427-432.0	Manifold	1	ST	
9	6.388-247.0	Hose DN8 -PVC	0,64	M	
10	6.388-719.0	Hose DN17	1,27	M	
11	5.443-628.0	Hose	1	ST	
15	7.373-022.0	Hose clip A-16-27x9 -W2-2 DIN3017	6	ST	
16	6.391-990.0	Hose assembly DN8 40MPa 0,45m	1	ST	
17	6.641-465.0	Cable tape	1	ST	
20	5.044-891.0	Holder	2	ST	
26	4.037-013.0	Hook	1	ST	
30	4.744-190.0	Switch complete	1	ST	
31	5.034-494.0	Retaining bracket	1	ST	
32	5.367-030.0	Diaphragm	1	ST	
33	6.649-887.0	Plug triple dummy plug	1	ST	
40	4.117-041.0	Triple jet nozzle TR 098	1	ST	1.524-950.2
40	4.767-205.0	Triple jet nozzle only for replacement 0	1	ST	1.524-500.2
41	4.118-005.0	EASY!Force Advanced	1	ST	1.524-950.2
41	4.775-463.0	HAND TRIGGER GUN EASY PRESS	1	ST	1.524-500.2
60	6.622-332.0	Control transformer 96VA - EI78/40,5 380	1	ST	
61	7.306-058.0	Screw M 4X 12- 8.8-R2R K-IN6RD	4	ST	
62	7.311-569.0	Square nut M4 -04-A2E DIN 562	4	ST	
100	2.885-226.0	Spare part set control piston	1	ST	



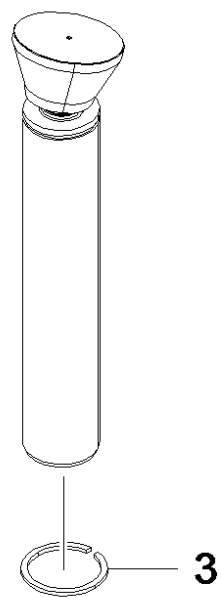
1 Pump set HD 13/12-4 ST 400V

POS	Article no.	Description	Quantity	Unit
2		Thrust guidance complete	1	ST
3		Cylinder head complete	1	ST
4	4.624-072.0	Motor complete only for replacement HD 1	1	ST
6	5.011-428.0	Plate bracket	1	ST
10	5.064-457.0	Cover plate qusty grey oil	1	ST
11	5.011-622.0	Plate holder oil tank	1	ST
12	5.070-831.0	Tank oil	1	ST
13	5.110-341.0	Sleeve	2	ST
14	5.112-870.0	Bush	3	ST
15	5.115-520.0	Washer	3	ST
16	7.306-208.0	Screw M 4x16-A2-70 (In6RD)	1	ST
17	7.303-038.0	Screw M5x12 -St-P2R (In6Rd)	2	ST
18	5.365-302.0	Profile gasket	1	ST
19	7.312-293.0	Washer 4-A2 ISO 7093-1	1	ST
20	6.643-151.0	Strip terminal one-pole 16mm ²	1	ZST
22	5.427-415.0	Manifold	2	ST
25	5.767-005.0	Rubber buffer	4	ST
28	6.288-016.0	Gear oil 1L	1	ST
29	6.288-044.0	Silicon grease 100 G	1	ST
32	5.132-187.0	Plug	1	ST
33	6.362-722.0	O-Ring seal 28,0 X 3,0	1	ST
37	6.362-579.0	O-Ring seal 17,5 X 3,5	2	ST
45	4.820-578.0	Cable green/yellow 1,5mm ² x450mm	1	ST
50	7.303-031.0	Screw M4x10 -St-P2R (In6Rd)	1	ST
53	7.306-430.0	Cylinder head screw M12x90- 10.9-A3K ISO 4762	4	ST
54	7.306-094.0	Screw M6x25 -8.8-R3R (In6Rd)	2	ST
56	7.311-068.0	Hexagon nut M 8-A2-70 ISO 4032	1	ST
57	7.306-223.0	Screw M8x12 -A2-70 (In6Rd)	1	ST
58	6.310-176.0	Putting nut M4	1	ST
67	5.010-082.0	Cover plate HD 10/25 Cage	1	ST
68	7.303-048.0	Screw M6x20 -St-R3R (In6Rd)	2	ST
100	2.885-319.0	Pump set HD 13/12-4 ST-H	1	ST



2 Thrust guidance complete

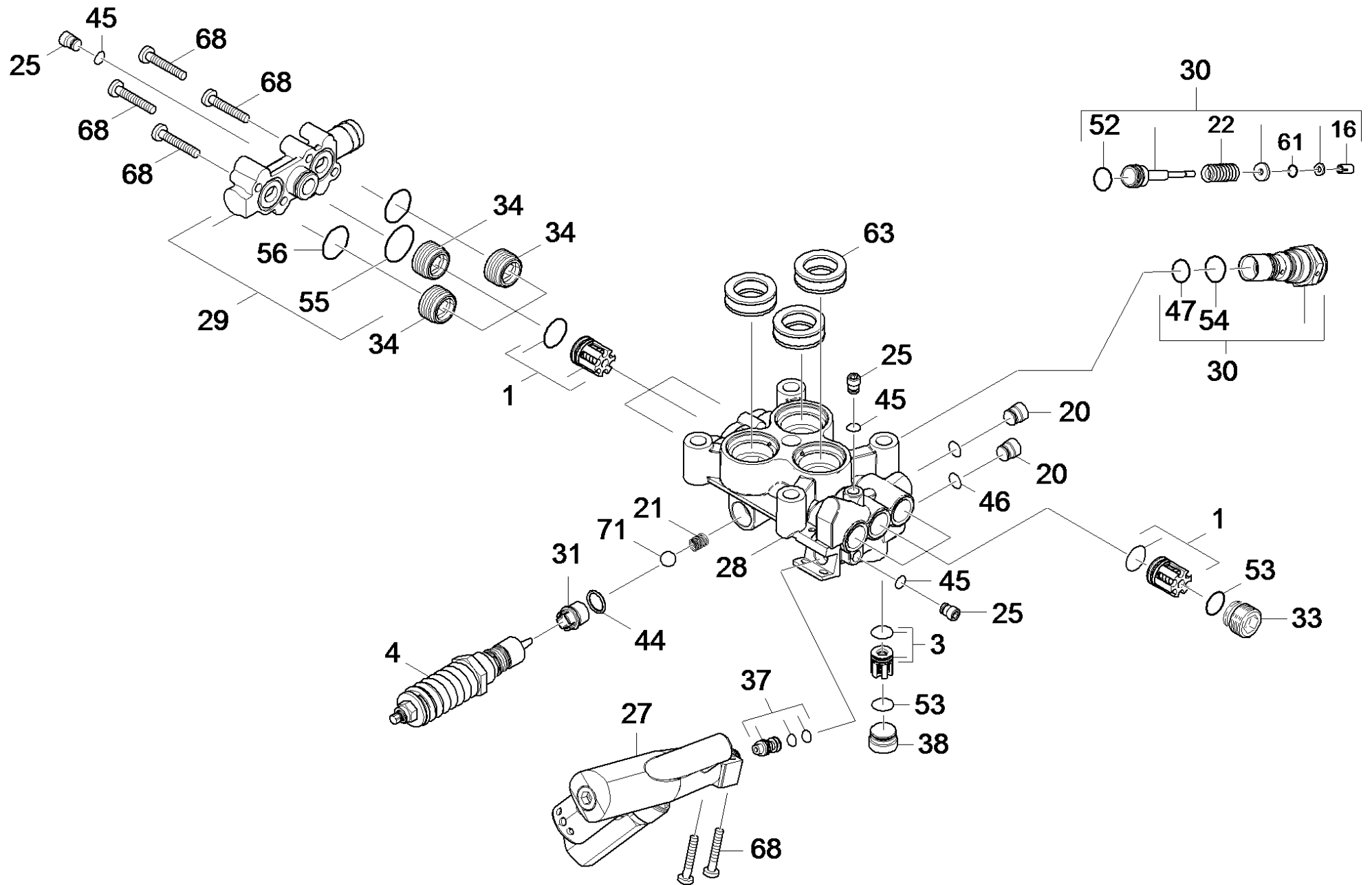
POS	Article no.	Description	Quantity	Unit
2	5.060-954.3	Thrust guidance D22	1	ST
3	5.116-065.0	Washer D22	3	ST
4	5.332-187.0	Helical spring	3	ST
6		Part at pump set	1	ST
7		Part at pump set	1	ST
999	4.553-280.0	Piston complete only for replacement	3	ST



999 Piston complete only for replacement (4.553-280.0)

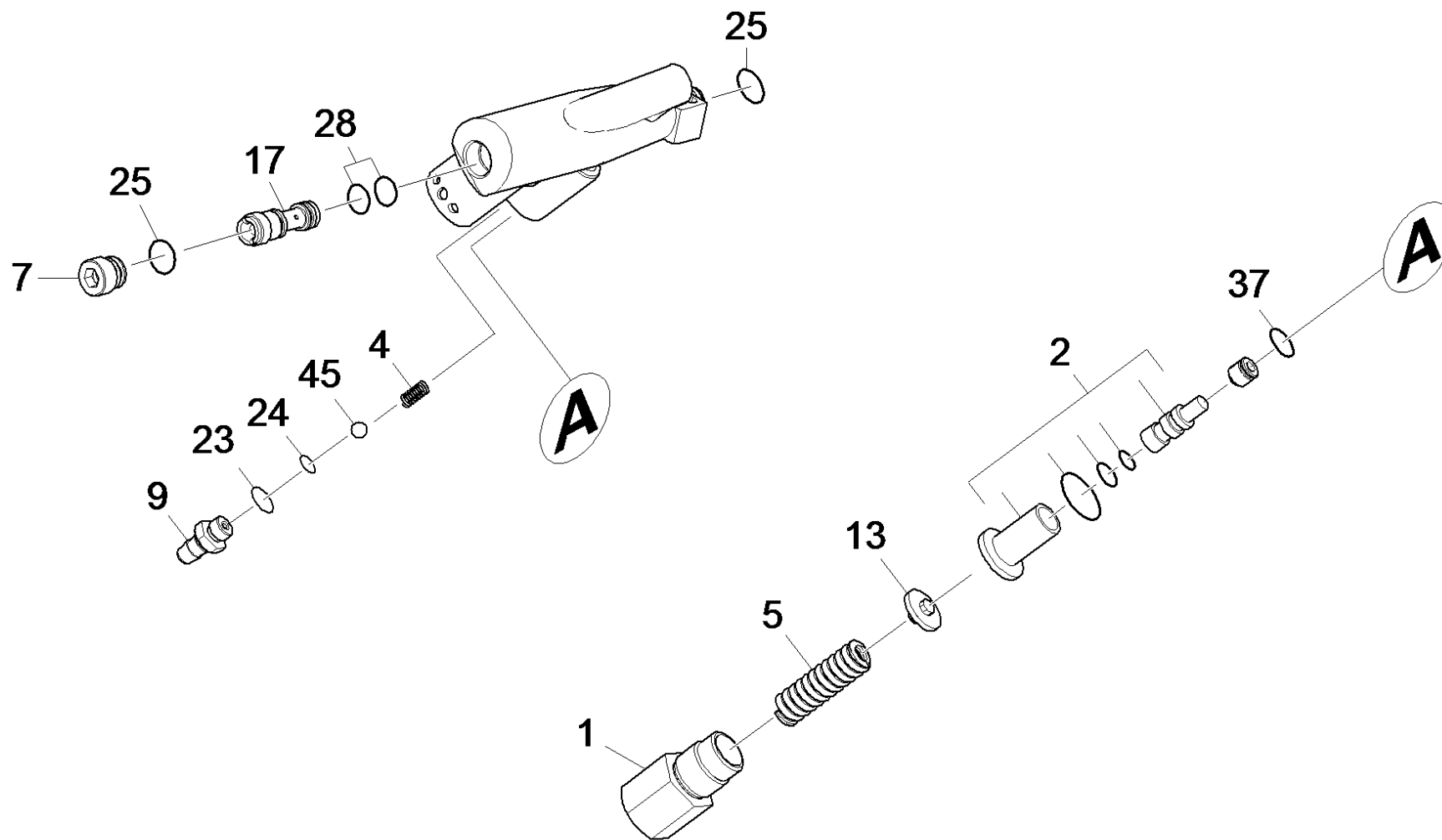
POS	Article no.	Description	Quantity	Unit
3	6.343-142.0	Snap ring WR 22	1	ST

3 Cylinder head complete



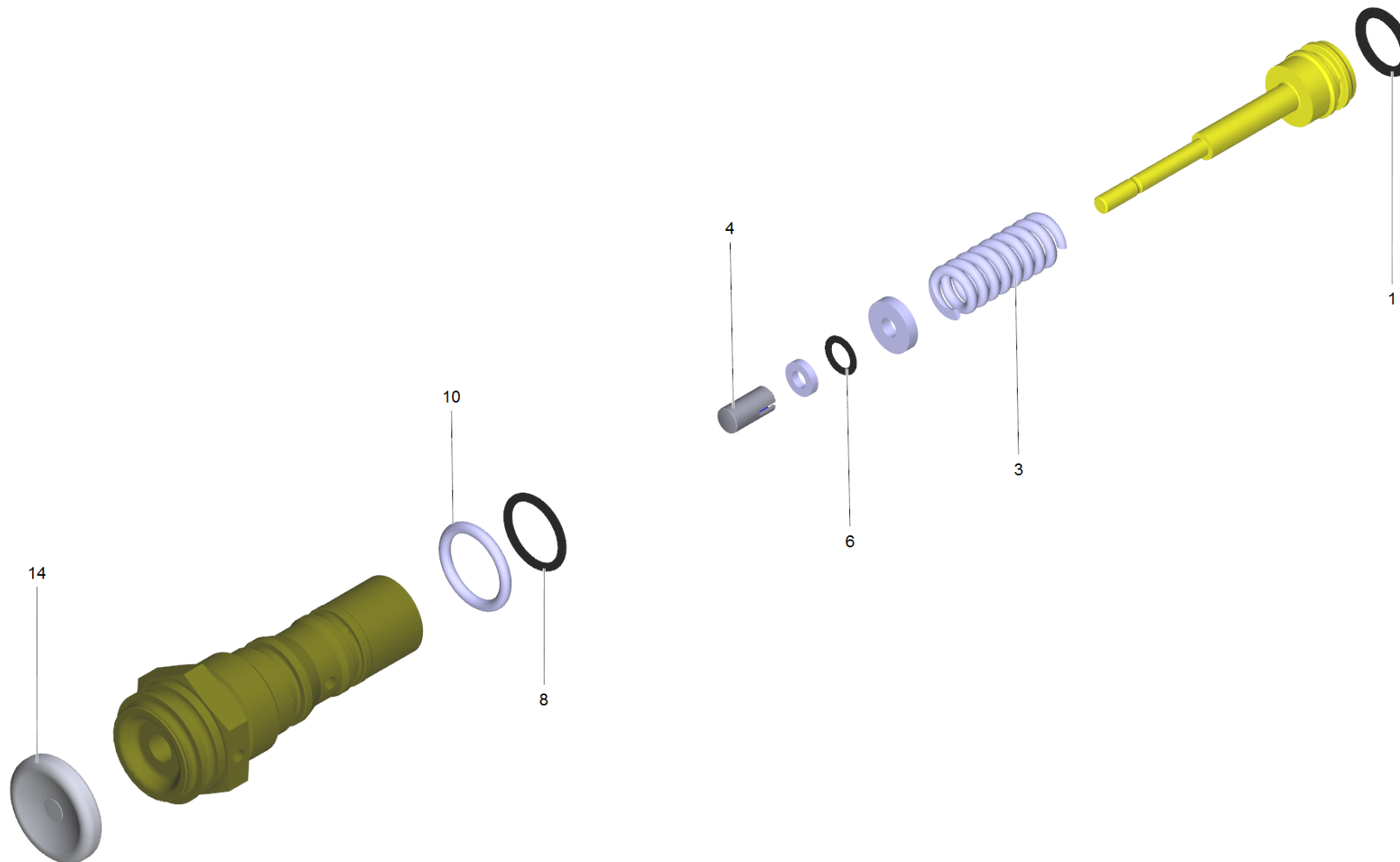
3 Cylinder head complete

POS	Article no.	Description	Quantity	Unit
1		Part at pump set	1	ST
3		Part at pump set	1	ST
4	2.885-238.0	Spare part set overflow valve	1	ST
16	5.110-947.0	Sleeve	1	ST
20	5.411-152.0	Screw plug	2	ST
21	5.332-999.0	Helical spring	1	ST
22	5.332-511.0	Helical spring	1	ST
25	5.411-161.0	CLOSING SCREW M10X1	3	ST
27		Overflow valve complete	1	ST
28	5.550-367.0	Cylinder head HD 13/12-4 ST	1	ST
29	2.885-233.0	Manifold low-pressure intake	1	ST
30	2.885-226.0	Spare part set control piston	1	ST
31	5.581-270.0	Valve seat	1	ST
33	5.583-146.3	Valve screw	3	ST
34	5.583-180.0	Valve screw M20x1	3	ST
37	2.885-231.0	Spare part set nozzle insert only for re	1	ST
38	5.411-166.0	CLOSING SCREW	1	ST
44	6.362-151.0	O-Ring d. 10 x 2 NBR 70	1	ST
45		Part at pump set	1	ST
46		Part at pump set	1	ST
47	6.363-615.0	O-Ring seal 11 x 1,5 -NBR70	1	ST
52	6.363-350.0	O-Ring seal 8.74x1.78	1	ST
53		Part at pump set	1	ST
54	6.362-169.0	O-Ring seal 12,0 X 2,0	1	ST
55		Part at pump set	1	ST
56		Part at pump set	1	ST
61	6.363-330.0	O-Ring seal 2,9 x 1,78	1	ST
63		Part at pump set	1	ST
68	7.306-118.0	Screw M 6x35 -8.8-R3R (In6Rd)	6	ST
71	7.401-910.0	Sphere 3/8 G80-1.4034 DIN 5401	1	ST



27 Overflow valve complete

POS	Article no.	Description	Quantity	Unit
1	5.304-114.0	Hexagonal head screw bush	1	ST
2	2.885-232.0	Wearing parts set	1	ST
4	5.332-258.0	Helical spring	1	ST
5	5.332-444.0	Helical spring	1	ST
7	5.411-168.0	Valve screw M16x1	1	ST
9	5.443-370.0	Nipple	1	ST
13	5.584-169.0	Valve pin	1	ST
17	5.769-227.0	Nozzle insert	1	ST
23	6.362-690.0	O-Ring seal 7x2 - NBR 70	1	ST
24	6.363-597.0	O-Ring seal 5,28 x 1,78	1	ST
25	6.362-151.0	O-Ring d. 10 x 2 NBR 70	2	ST
28	6.362-384.0	O-Ring seal 9x1,5 - NBR 70	2	ST
37	6.363-045.0	O-Ring seal 8X1,25 NBR	1	ST
45	7.401-908.0	Sphere 7 G300 -1.4301 DIN 5401	1	ST

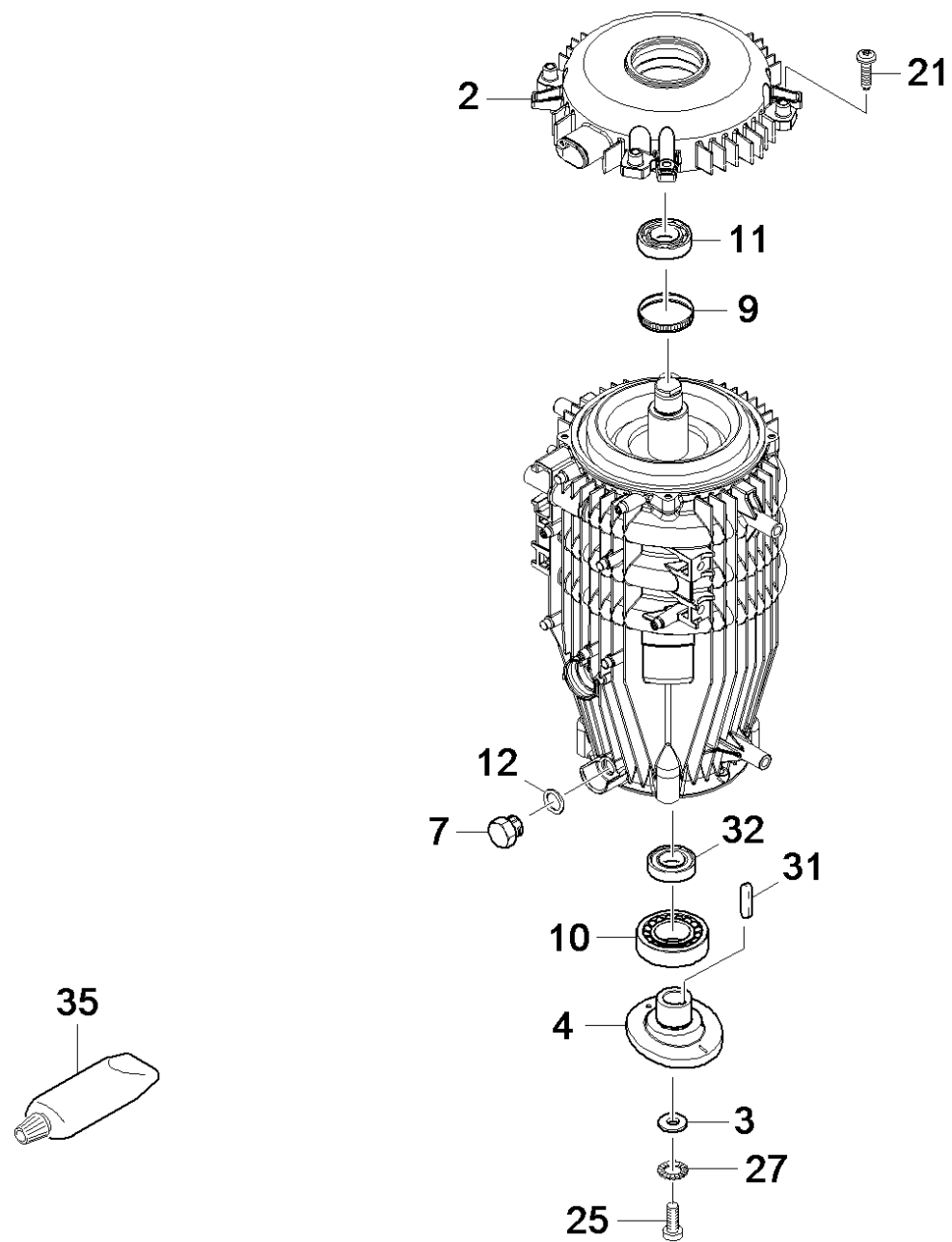


30 Spare part set control piston (2.885-226.0)

POS	Article no.	Description	Quantity	Unit
1	6.363-350.0	O-Ring seal 8.74x1.78	1	ST
3	5.332-511.0	Helical spring	1	ST
4	5.110-947.0	Sleeve	1	ST
6	6.363-330.0	O-Ring seal 2,9 x 1,78	1	ST
8	6.363-452.0	O-Ring seal 11 x 1,5	1	ST
10	6.363-519.0	O-Ring seal 12,00x 2,00	1	ST
14	5.367-030.0	Diaphragm	1	ST

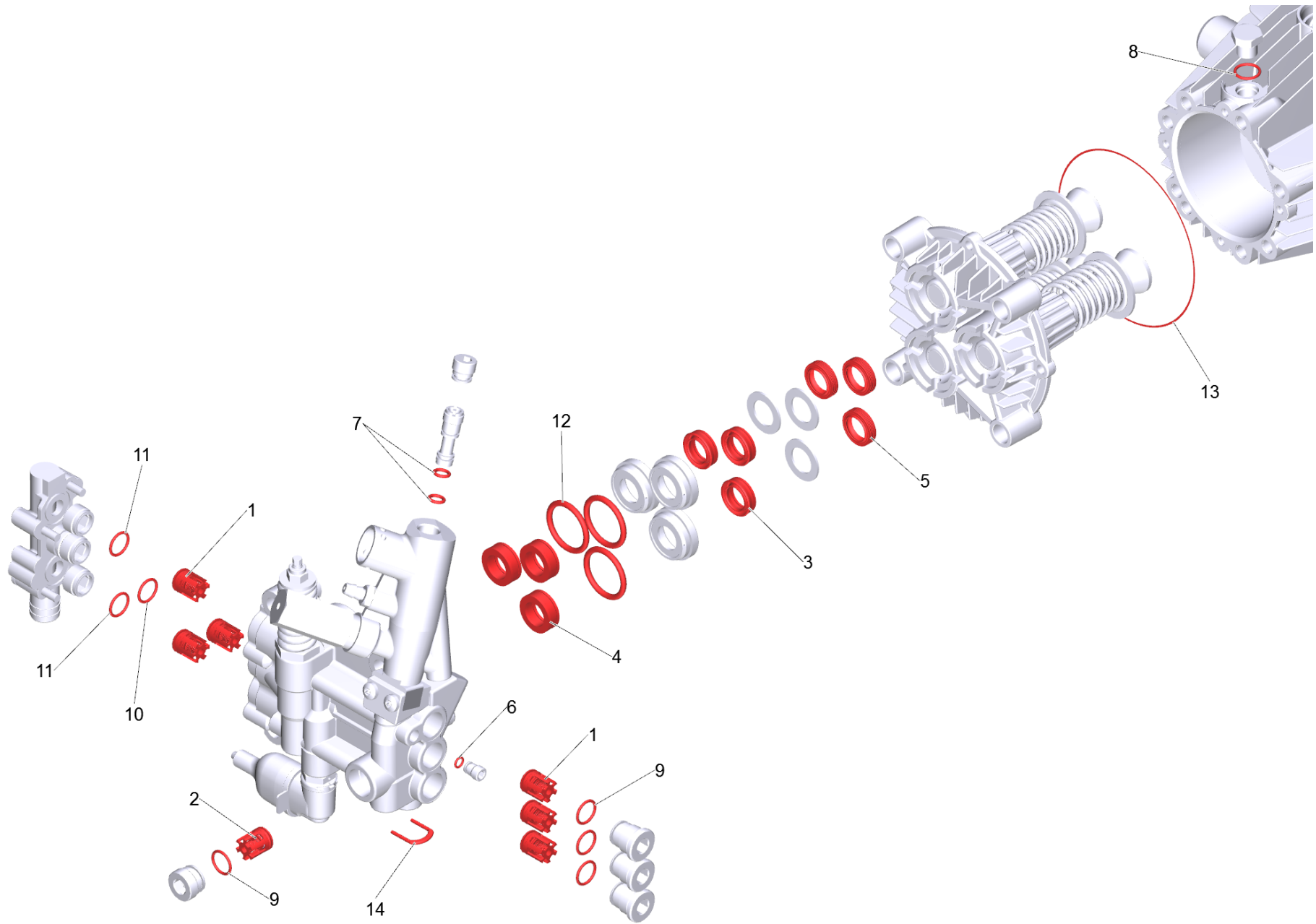
4 Motor complete only for replacement HD 1 (4.624-072.0)

POS	Description	Quantity	Unit
1	Motor complete HD 13/12-4ST 400V	1	ST



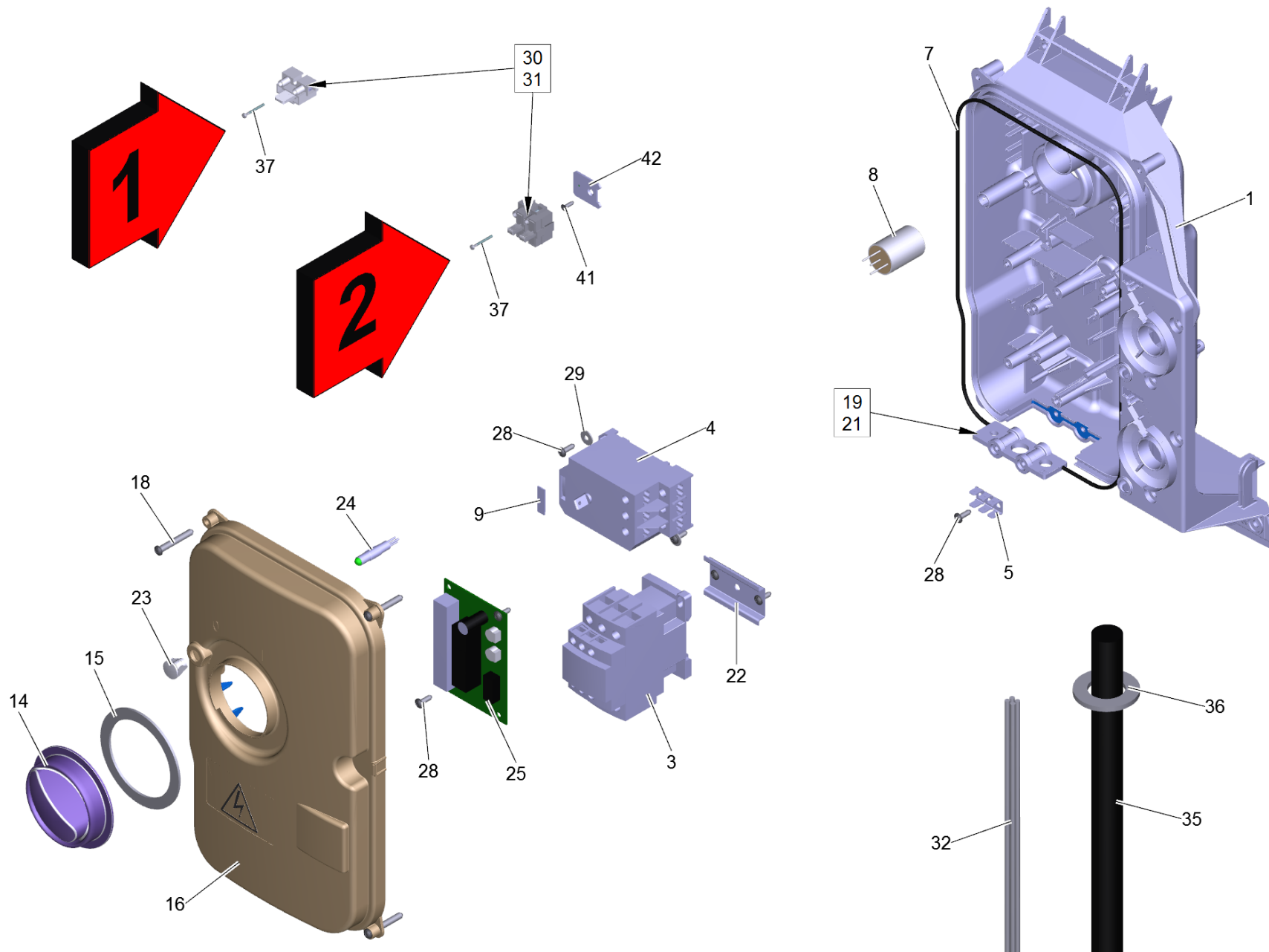
1 Motor complete HD 13/12-4ST 400V

POS	Article no.	Description	Quantity	Unit
2	5.064-006.0	Bearing cover B	1	ST
3	5.115-565.0	Washer	1	ST
4	5.120-353.3	Wobble plate	1	ST
7	5.411-100.0	Screw plug	1	ST
9	6.343-010.0	Tolerance ring 62x10	1	ST
10	6.401-225.3	Taper roller bearing 41	1	ST
11	6.401-253.0	Ball bearing 6305-2Z	1	ST
12	6.363-498.0	O-Ring seal 11,0x2,0 HNBR	1	ST
21	6.303-515.0	Self-tapping screw M6x25	4	ST
25	7.306-041.0	Cylinder head screw M8x20 -8.8-A2E ISO	1	ST
27	7.312-159.0	Toothed lock washer A8,4-FST-PH DIN 679	1	ST
31	7.318-035.0	Parallel key 8x7x25 -C45K DIN 6885-1	1	ST
32	7.367-012.0	Radial shaft seal ring A35x52x7 -FKM DIN	1	ST
35	6.288-044.0	Silicon grease 100 G	1	ST



100 Pump set HD 13/12-4 ST-H (2.885-319.0)

POS	Article no.	Description	Quantity	Unit
1	2.885-229.0	Valve only for replacement	2	ST
2	4.580-734.0	Valve complete	1	ST
3	2.885-253.0	Set of gaskets ND PTFE (3x)	1	ST
4	2.885-234.0	Set of gaskets high pressure (3 Stueck)	1	ST
5	6.365-422.0	Grooved ring 22X30X7/6	3	ST
6	6.363-543.0	O-Ring seal 6,0 x 1,5 HNBR 70 Shore	3	ST
7	6.363-331.0	O-Ring seal 9,0 x 1,5	2	ST
8	6.363-498.0	O-Ring seal 11,0x2,0 HNBR	1	ST
9	6.363-459.0	O-Ring seal 14 x 2	4	ST
10	6.363-542.0	O-Ring seal 16,0 x 2,0 HNBR 70 Shore	1	ST
11	6.363-541.0	O-Ring seal 21 x 1,78 HNBR 70 Shore	2	ST
12	6.363-545.0	O-Ring seal 36,0 x 2,0 HNBR 70 Shore	3	ST
13	6.363-544.0	O-Ring seal 114,0 x 3,0 HNBR 70 Shore	1	ST
14	5.034-494.0	Retaining bracket	1	ST
15	6.288-072.0	Silicon grease	1	ST



4 Electric control box HD-ST 400V

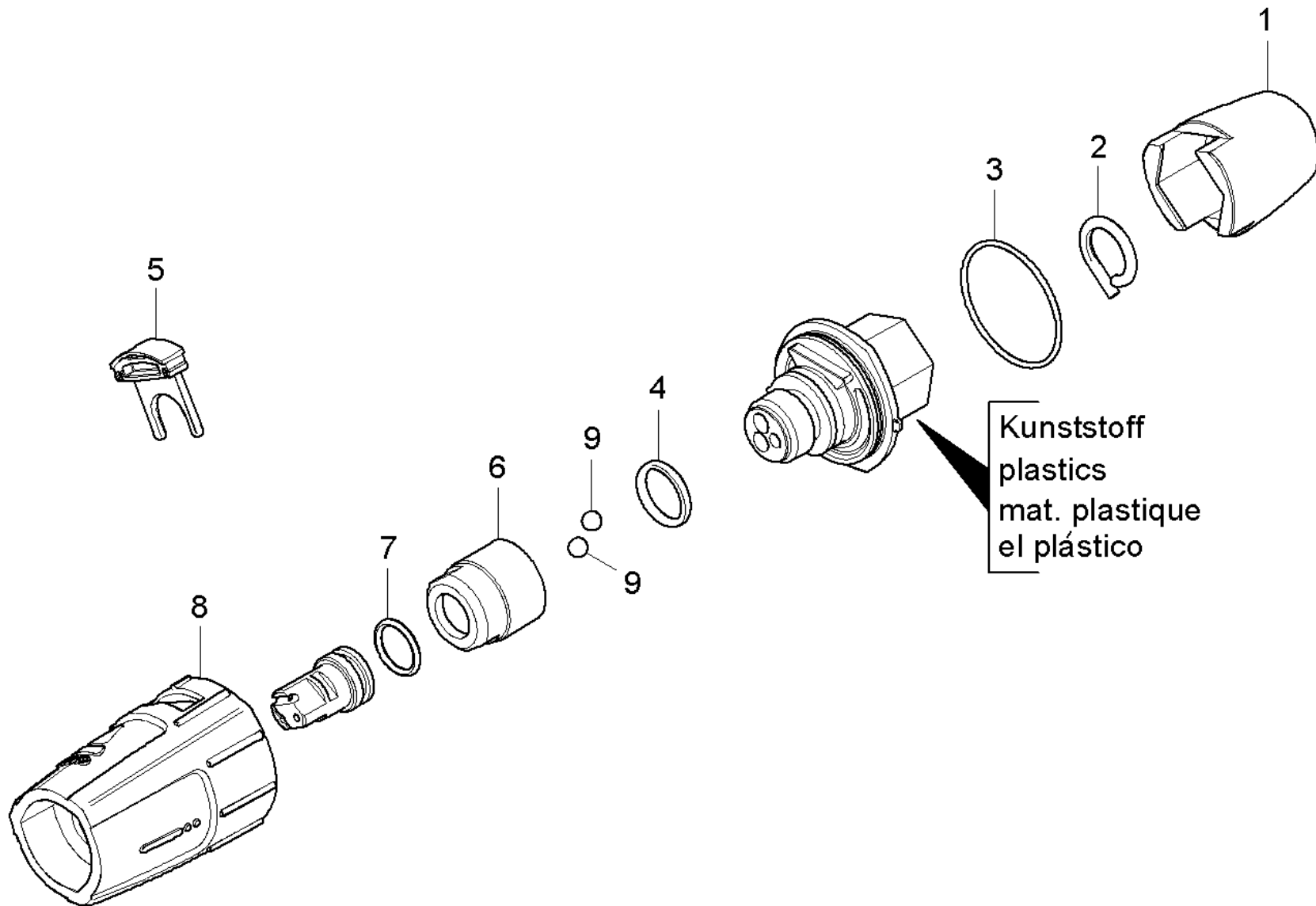
POS	Article no.	Description	Quantity	Unit	Foot note text
1	5.062-336.0	Housing electric control box	1	ST	
3	6.632-356.0	Contacteur LC1-D18 B7	1	ST	
4	6.631-190.0	Motor protecting switch	1	ST	
5	6.641-270.0	Plug	1	ST	
7	6.273-037.0	Seal string cellular rubber 3	0,8	M	
8	6.661-302.0	Interference suppressor triple-pole	1	ST	
9	6.630-049.0	Cap	1	ST	
10	4.820-476.0	Cable black 2,5mm ² x250mm	3	ST	
14	5.321-692.0	Handle	1	ST	
15	5.363-616.0	Joint ring	1	ST	
16	5.064-413.0	Cover electric control box	1	ST	
18	7.303-085.0	Screw 4x 35 -10.9-R2R (K-In6Rd)	4	ST	
19	5.263-101.0	Tensioning part 10.5/14/7	2	ST	
20	6.641-463.0	Cable tape	4	ST	
21		Sheet metal screw ST3,9x45 -St-A2K-C-H I	2	ST	
22	5.802-261.0	Mounting part	1	ST	
23	6.651-506.0	Lens housing	1	ST	
24	6.651-505.0	Pilot lamp	1	ST	
25	6.984-610.0	Circuit board control system HD-ST	1	ST	
27	4.820-793.0	Cable brown 1,0mm ² x200mm	2	ST	
28	7.303-106.0	Screw 4x12 -10.9-R2R (IN6RD)	7	ST	
29	7.312-281.0	Washer 4 -200HV-A2E ISO7093-1	2	ST	
30	6.643-336.0	Strip terminal	2	ST	VERSION 1
30	6.643-471.0	Strip terminal with fuse	2	ST	VERSION 2
31	6.644-070.0	Fuse insert medium time-lag G-5,0A	2	ST	
32	6.649-844.0	Cable harness HD-ST	1	ST	
35	6.649-442.0	Cable with plug	1	ST	
36	7.312-098.0	Washer 27 -PA6.6-Natur ISO 7089	1	ST	
37	6.303-245.0	Cylinder head screw 3X18-ST-A2E	1	ST	VERSION 1
37	7.306-045.0	Screw M2x20 -4.8-A2K DIN 84	1	ST	VERSION 2
40	6.642-043.0	Insulating hose 10	0,36	M	
41	7.303-119.0	Countersunk screw 3x10 -10.9-R2R (In6Rd)	1	ST	VERSION 2
42	5.013-470.0	Plate clamp	1	ST	VERSION 2

40 Triple jet nozzle only for replacement 0 (4.767-205.0)

POS	Article no.	Description	Quantity	Unit
2	5.970-837.0	Spare parts list triple jet nozzle	1	ST

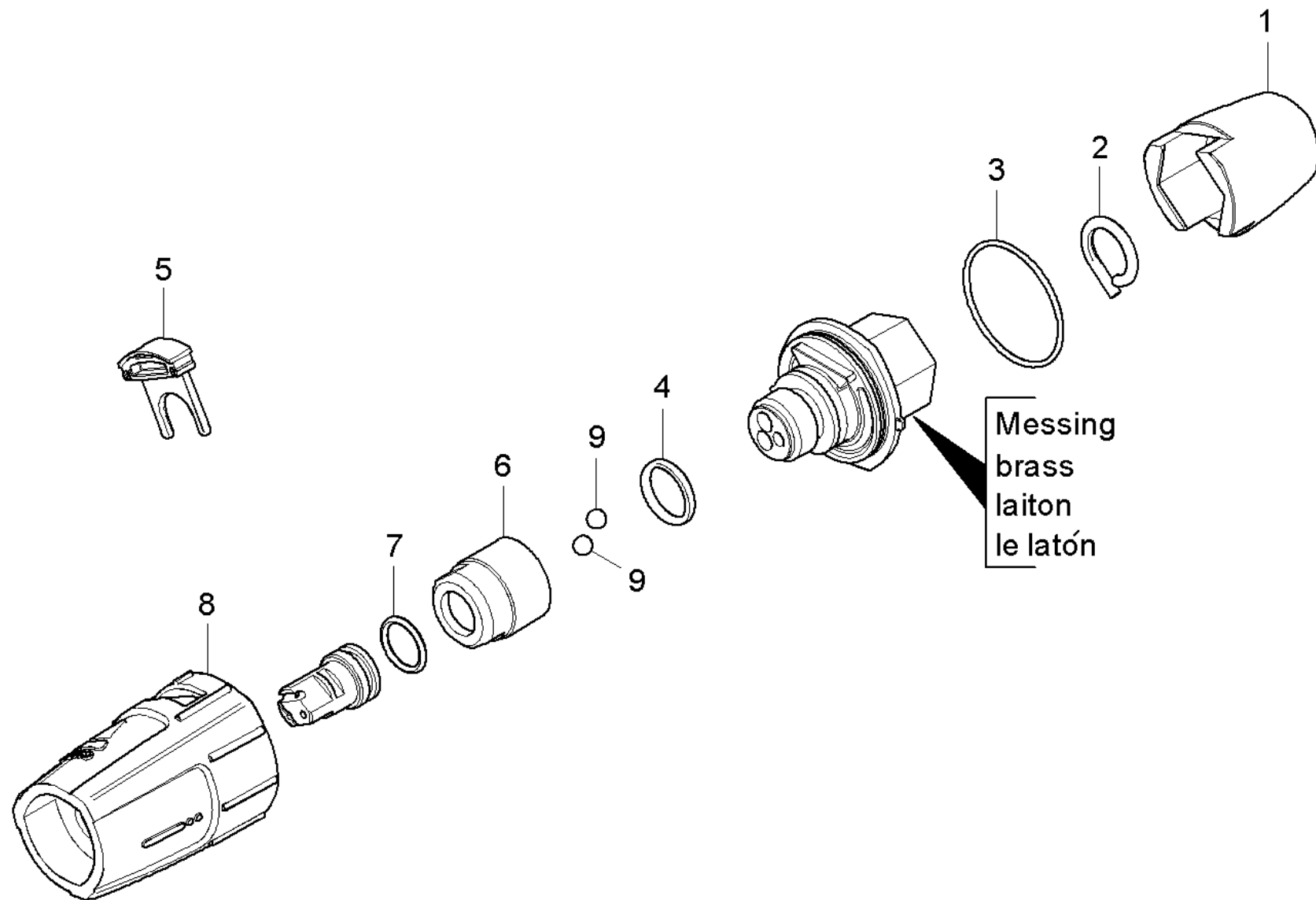
2 Spare parts list triple jet nozzle (5.970-837.0)

POS	Description	Quantity	Unit
10	Triple jet nozzle plastics	1	ST
20	Triple jet nozzle brass	1	ST



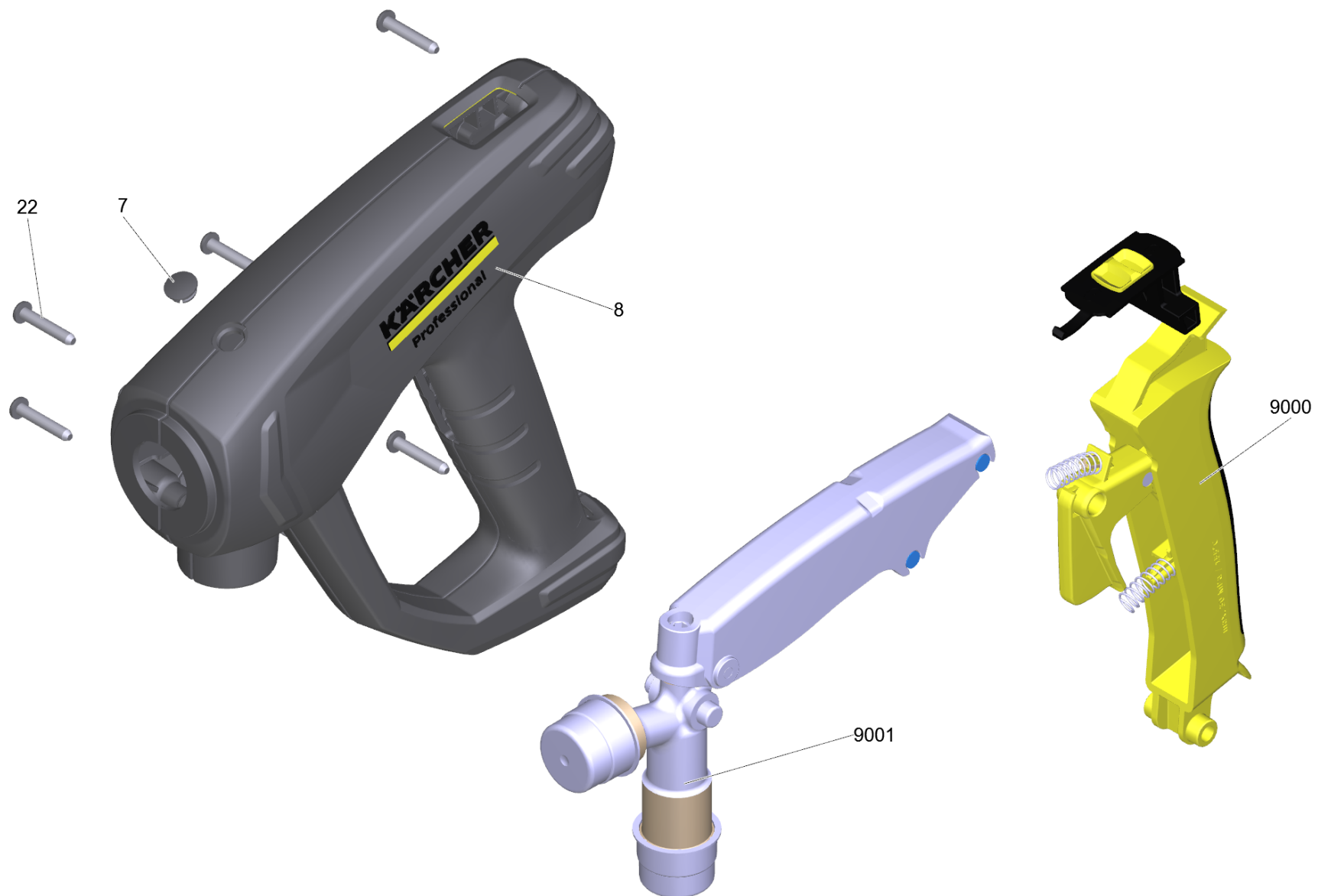
10 Triple jet nozzle plastics

POS	Article no.	Description	Quantity	Unit
1	5.394-530.0	Protection part complete	1	ST
2	6.343-150.0	Pin 03	1	ST
3	6.362-409.0	O-Ring seal 32,0 X 1,5	1	ST
4	7.362-039.0	O-Ring seal 15,5x1,5 -NBR70 DIN 3771	1	ST
5	5.321-884.0	Clamp	1	ST
6	5.311-236.0	Nut	1	ST
7	6.362-480.0	O-Ring seal 12,42x 1,78	1	ST
8	5.394-874.0	Protection part	1	ST
9	7.401-902.0	Sphere 5 G20 -1.4034 DIN 5401	2	ST



20 Triple jet nozzle brass

POS	Article no.	Description	Quantity	Unit
1	5.394-530.0	Protection part complete	1	ST
2	6.343-150.0	Pin 03	1	ST
3	6.362-409.0	O-Ring seal 32,0 X 1,5	1	ST
4	6.362-460.0	O-Ring seal 14,0 X 2,5-NBR 70	1	ST
5	5.321-884.0	Clamp	1	ST
6	5.311-225.0	Nut	1	ST
7	6.362-480.0	O-Ring seal 12,42x 1,78	1	ST
8	5.394-859.0	Protection part	1	ST
9	7.401-902.0	Sphere 5 G20 -1.4034 DIN 5401	2	ST

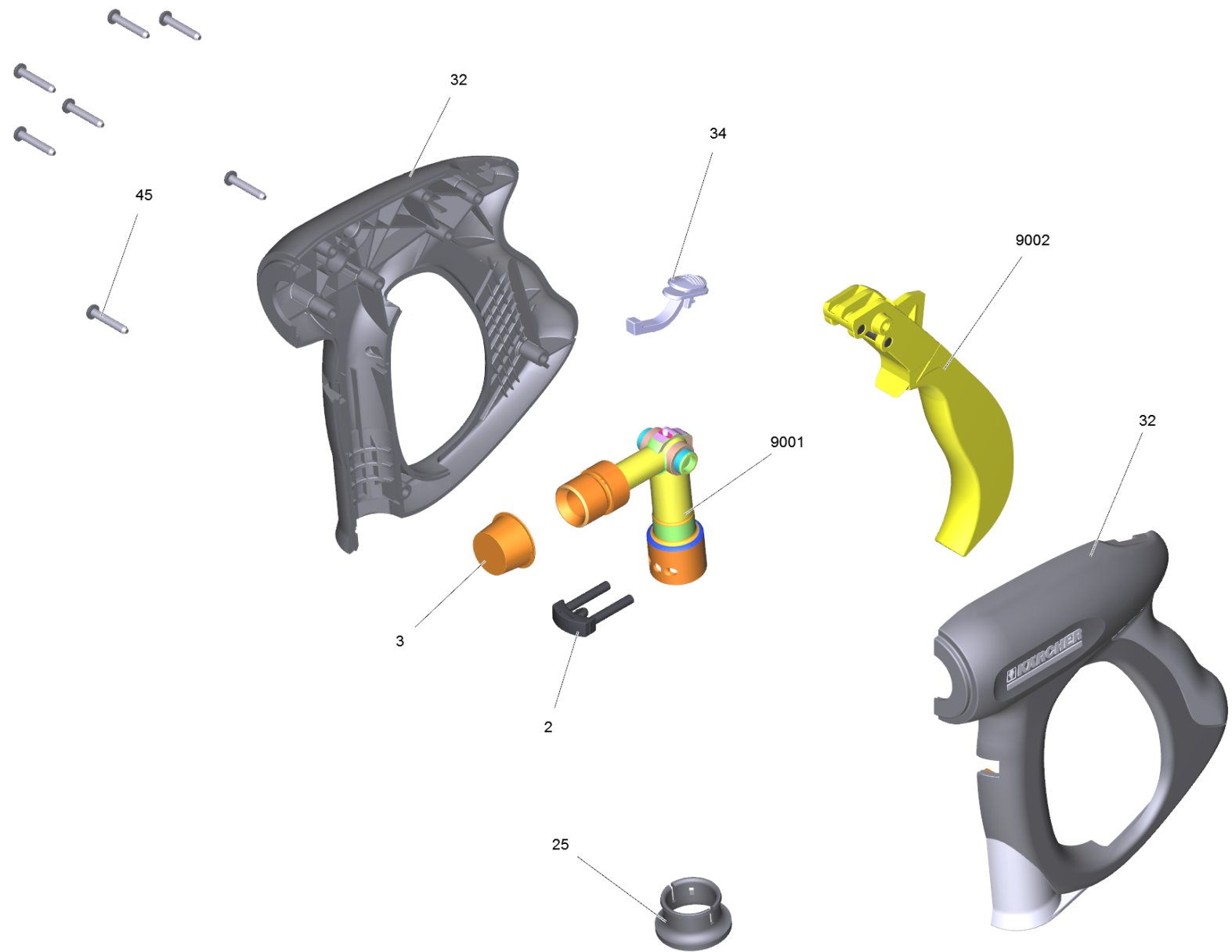


41 EASY!Force Advanced (4.118-005.0)

POS	Article no.	Description	Quantity	Unit
7	5.132-001.0	Plug	1	ST
8	5.321-136.3	Handhold few EH 155 only for replacement	1	ST
22	7.303-096.0	Screw 4x22 -ST-10.9-R2R (IN6RD)	7	ST
9000	2.885-483.0	Spare part set lever	1	ST
9001	4.427-014.0	Manifold TR EH 155 nur fuer Ersatz	1	ST

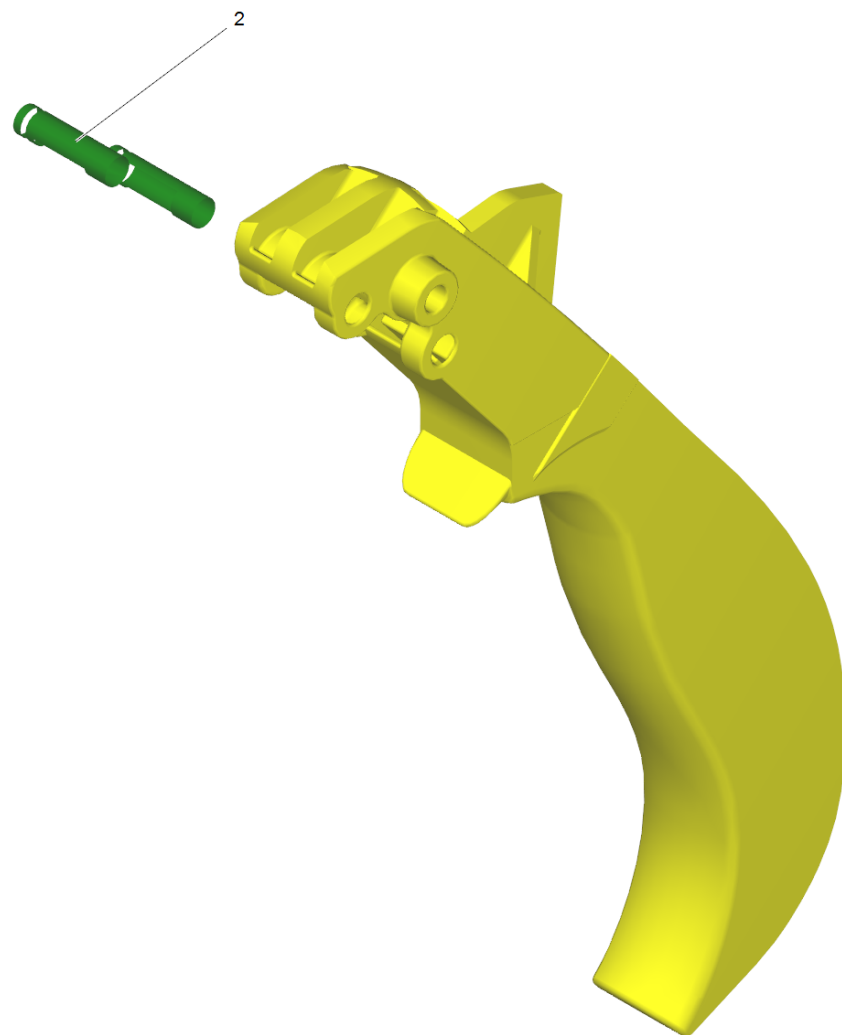
9000 Spare part set lever (2.885-483.0)

POS	Article no.	Description	Quantity	Unit
4	5.332-178.0	Helical spring	2	ST



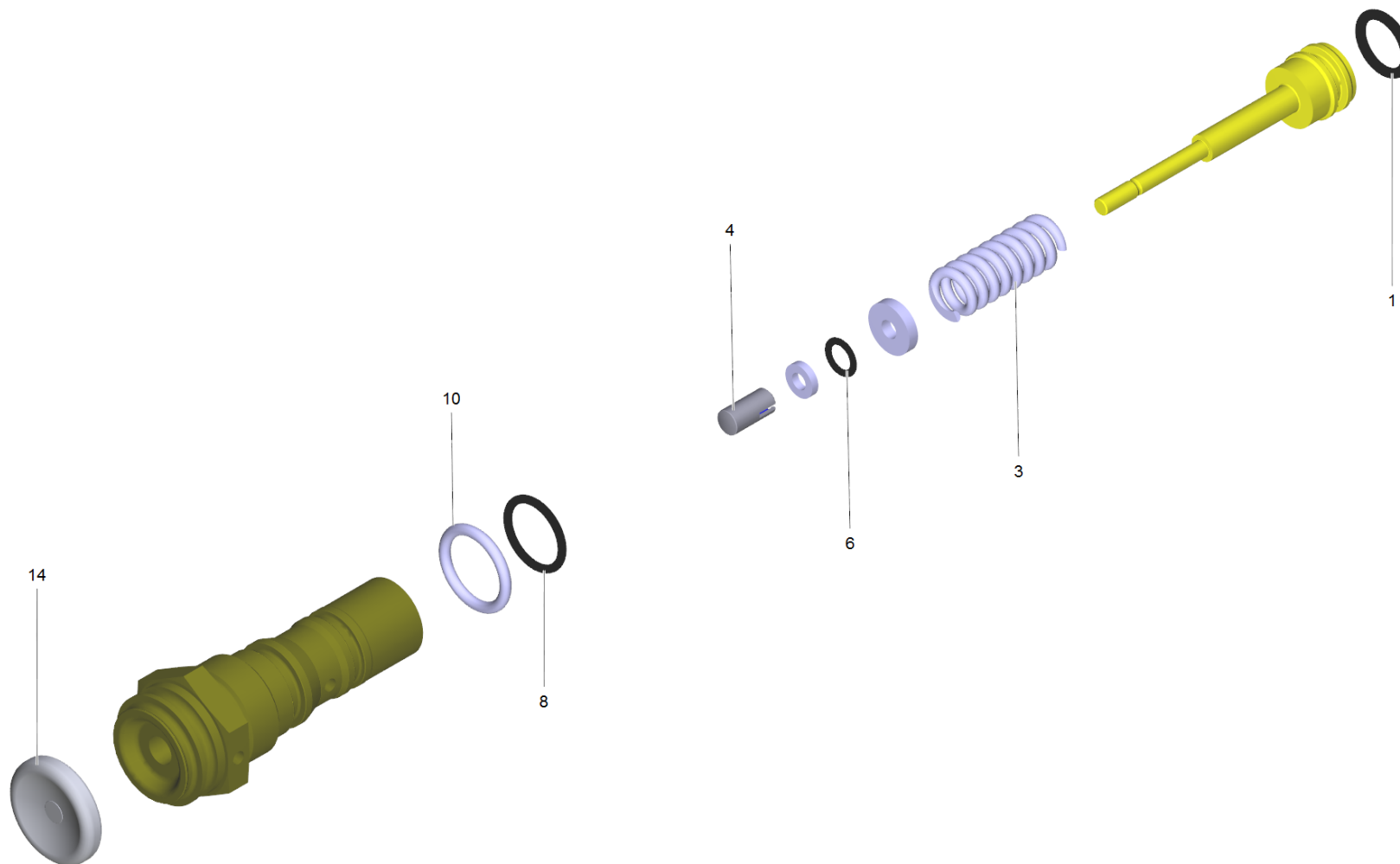
41 HAND TRIGGER GUN EASY PRESS (4.775-463.0)

POS	Article no.	Description	Quantity	Unit
2	4.037-013.0	Hook	1	ST
3	6.368-012.0	Protecting cap 22X1,5	1	ST
4	6.869-075.0	Metal bonding agent 1,5 ml	1	ST
cart_info_txt: This material is not available due to hazardous good regulation. Please procure this or a similar material from a local supplier of your choice.				
25	5.110-596.0	Sleeve	1	ST
32	5.321-669.3	Handhold few	1	ST
34	5.481-331.0	Slider	1	ST
45	7.303-096.0	Screw 4x22 -ST-10.9-R2R (IN6RD)	7	ST
1041	6.288-044.0	Silicon grease 100 G	1	ST
9001	4.427-215.0	Manifold complete only for replacement	1	ST
9002	4.481-209.0	Lever complete	1	ST



9002 Lever complete (4.481-209.0)

POS	Article no.	Description	Quantity	Unit
2	5.314-119.0	Pin	2	ST

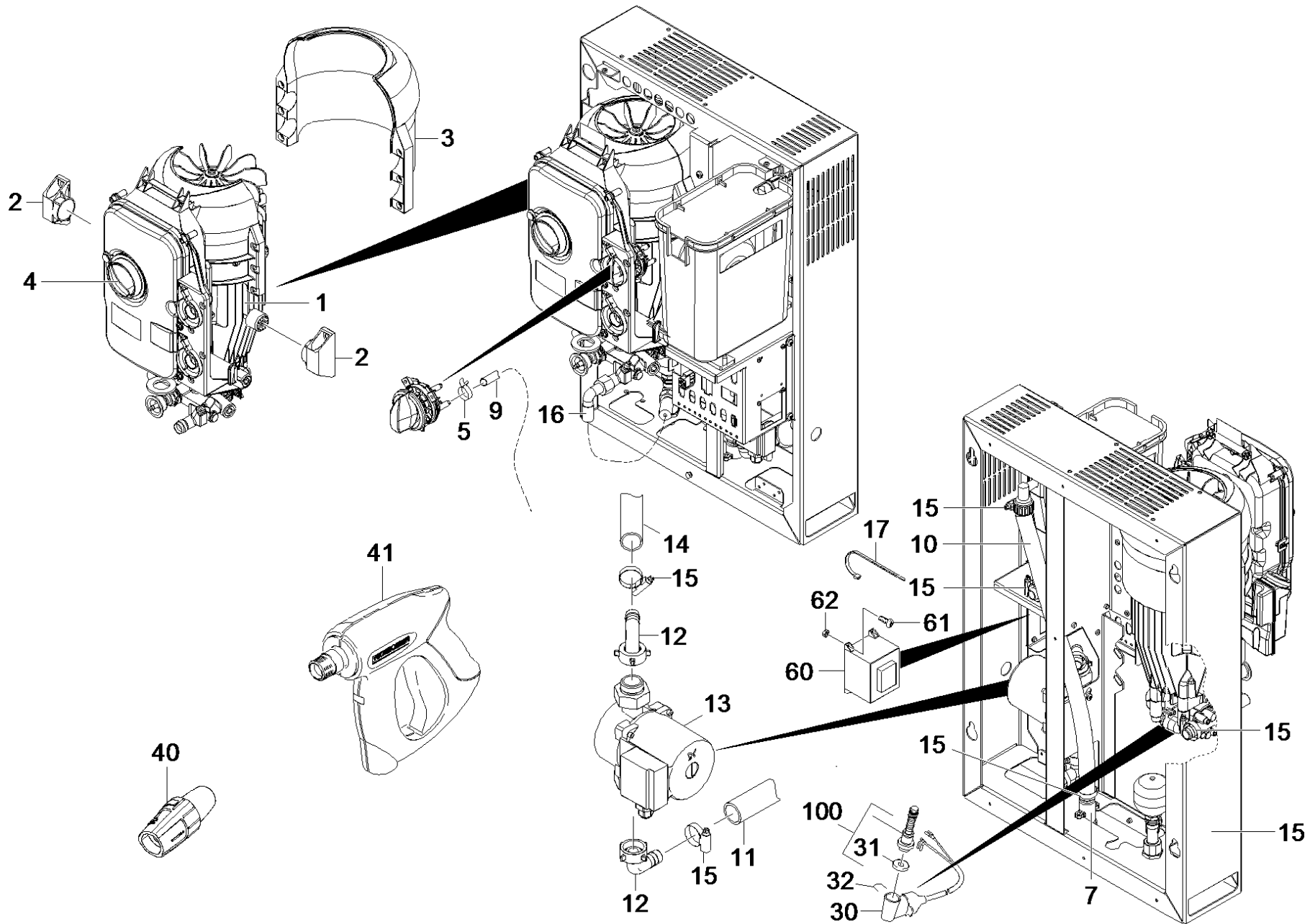


100 Spare part set control piston (2.885-226.0)

POS	Article no.	Description	Quantity	Unit
1	6.363-350.0	O-Ring seal 8.74x1.78	1	ST
3	5.332-511.0	Helical spring	1	ST
4	5.110-947.0	Sleeve	1	ST
6	6.363-330.0	O-Ring seal 2,9 x 1,78	1	ST
8	6.363-452.0	O-Ring seal 11 x 1,5	1	ST
10	6.363-519.0	O-Ring seal 12,00x 2,00	1	ST
14	5.367-030.0	Diaphragm	1	ST

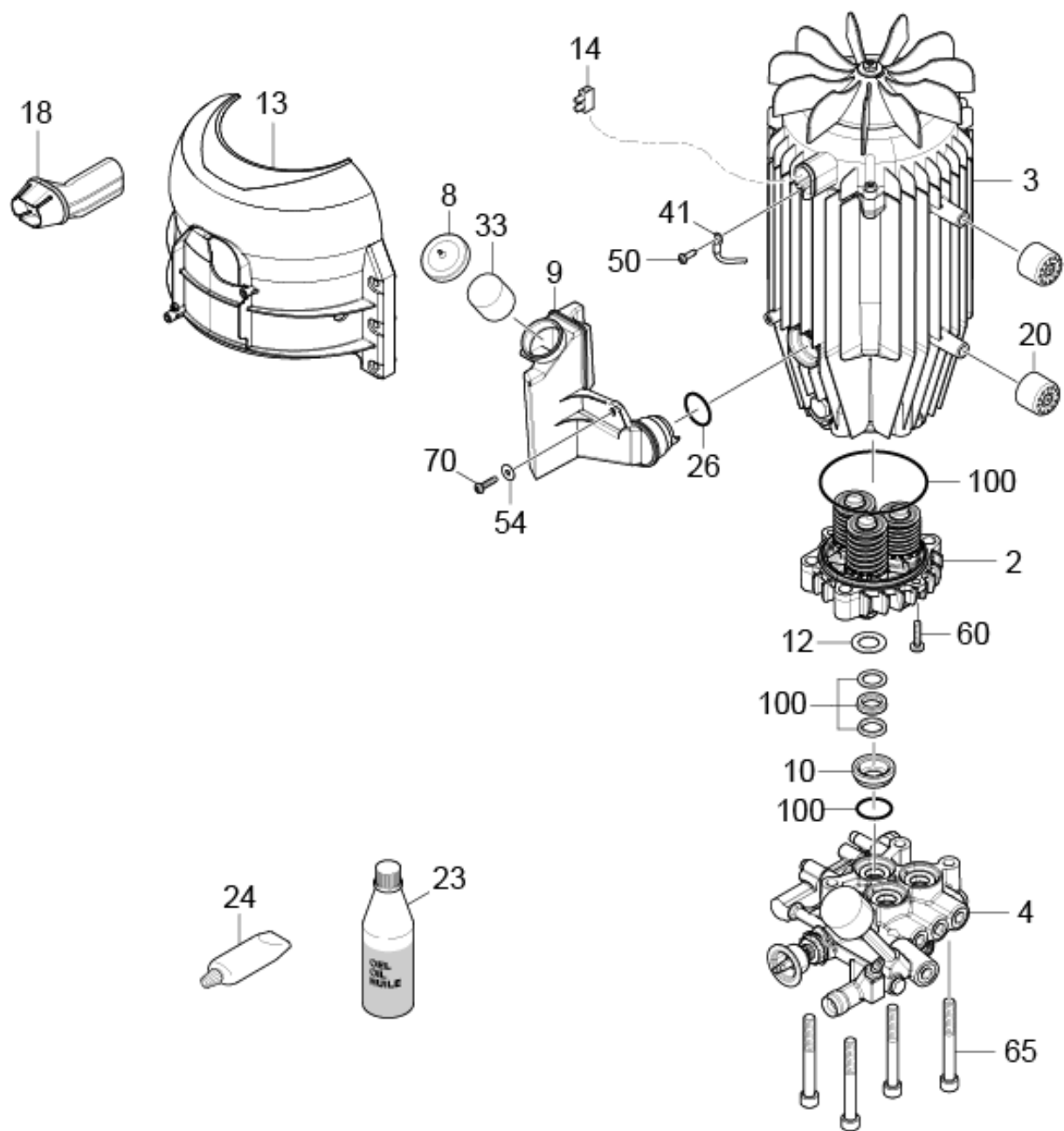
20 Pump set complete HD 7/16-4 ST-H 230V

POS	Article no.	Description	Quantity	Unit
1000	2.532-003.3	Spare parts list pump set complete HD 7/	1	ST



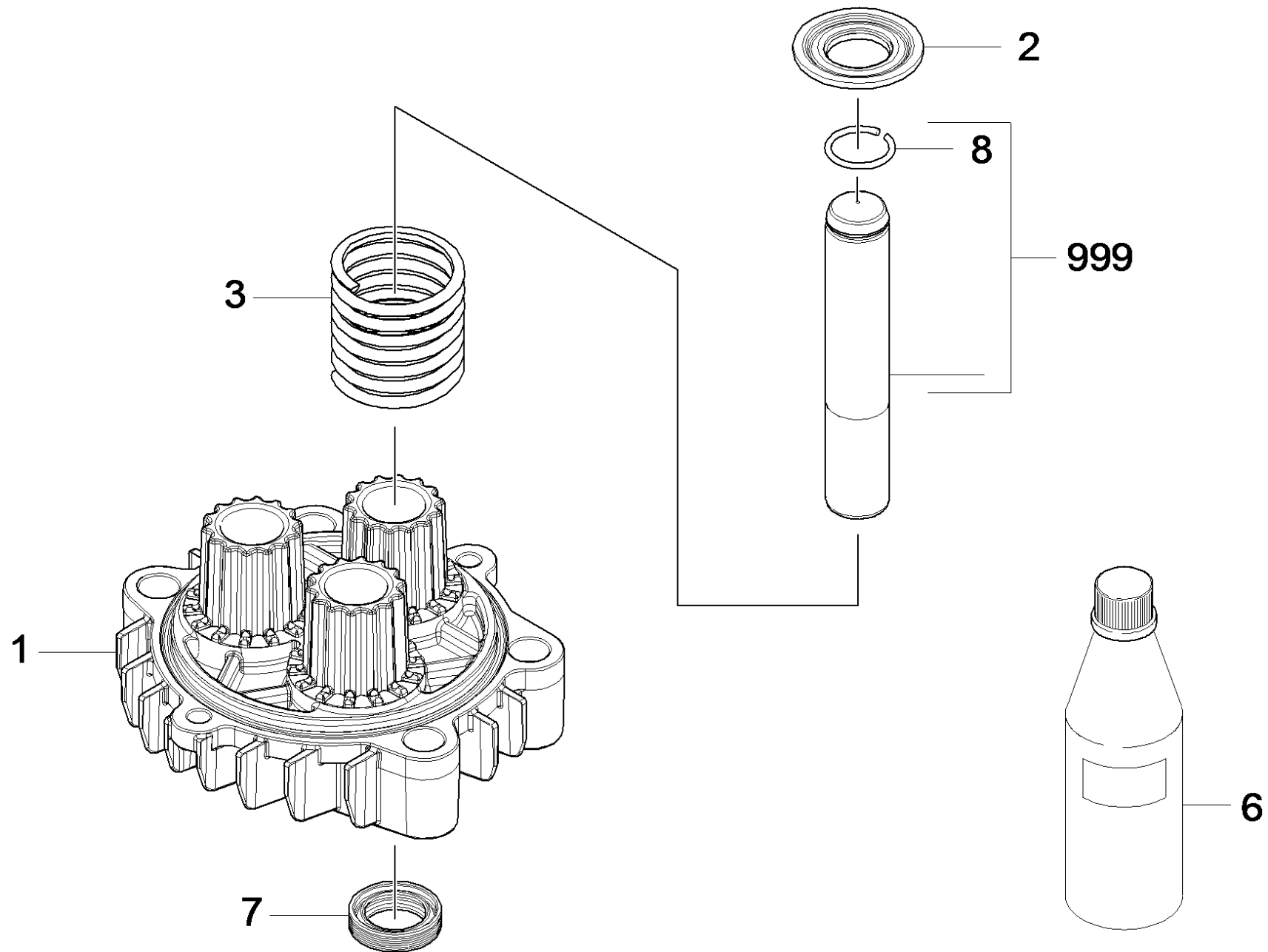
1000 Spare parts list pump set complete HD 7/ (2.532-003.3)

POS	Article no.	Description	Quantity	Unit	Remark
1		Pump set HD 7/16-4 ST-H 400V	1	ST	
2	5.044-891.0	Holder	2	ST	
3	2.885-228.0	Spare part set air circulation	1	ST	
4		Electric control box HD-ST 7/16 230V	1	ST	
5	6.390-133.0	Hose clip	2	ST	
7	5.427-432.0	Manifold	1	ST	
9	6.388-247.0	Hose DN8 -PVC	0,44	M	
10	6.388-719.0	Hose DN17	0,57	M	
11	5.443-628.0	Hose	1	ST	
12	6.391-867.0	Elbow screw connector R1"	2	ST	
13	4.540-133.0	Circulation pump	1	ST	
14	6.388-293.0	Elbow hose	1	ST	
15	7.373-022.0	Hose clip A-16-27x9 -W2-2 DIN3017	6	ST	
16	6.392-198.0	Hose assembly DN8 40MPa 0,46m	1	ST	
17	6.641-465.0	Cable tape	1	ST	
30	4.744-242.0	Switch kpl. -nur für Ersatz-	1	ST	
31	5.367-030.0	Diaphragm	1	ST	
32	5.034-494.0	Retaining bracket	1	ST	
40	4.117-035.0	Triple jet nozzle TR 043	1	ST	1.524-950.2
40	4.767-152.0	Triple jet nozzle only for replacement 0	1	ST	1.524-500.2
41	4.118-005.0	EASY!Force Advanced	1	ST	1.524-950.2
41	4.775-448.0	Hand trigger gun	1	ST	1.524-500.2
60	6.622-336.0	Control transformer 96VA - EI78/40,5 230	1	ST	
61	7.306-058.0	Screw M 4X 12- 8.8-R2R K-IN6RD	4	ST	
62	7.311-569.0	Square nut M4 -04-A2E DIN 562	4	ST	
100	2.885-226.0	Spare part set control piston	1	ST	



1 Pump set HD 7/16-4 ST-H 400V

POS	Article no.	Description	Quantity	Unit
2		Housing thrust guidance HD 7/16-4 ST-H	1	ST
3	4.624-076.0	Motor complete only for replacement HD 7	1	ST
4		Cylinder head complete -H	1	ST
8	5.064-457.0	Cover plate qusty grey oil	1	ST
9	5.070-831.0	Tank oil	1	ST
10	5.112-885.0	Bush	3	ST
12	5.115-432.0	Washer	3	ST
13	2.885-228.0	Spare part set air circulation	1	ST
14	6.643-151.0	Strip terminal one-pole 16mm ²	1	ZST
18	5.365-341.0	Profile gasket long	1	ST
20	5.767-005.0	Rubber buffer	4	ST
23	6.288-016.0	Gear oil 1L	1	ST
24	6.288-044.0	Silicon grease 100 G	1	ST
26	6.363-499.0	O-Ring seal 28,0x3,0	1	ST
33	5.132-187.0	Plug	1	ST
41	4.820-578.0	Cable green/yellow 1,5mm ² x450mm	1	ST
50	7.303-031.0	Screw M4x10 -St-P2R (In6Rd)	1	ST
54	7.312-282.0	Washer 5 -A2 ISO 7093-1	1	ST
60	7.306-094.0	Screw M6x25 -8.8-R3R (In6Rd)	2	ST
65	7.306-807.0	Cylinder head screw M10x85-8.8-A3E ISO4	4	ST
70	6.303-320.0	Screw M 5x 20-St-R2R	1	ST
100	2.885-317.0	Pump set HD 7/16-4 ST-H	1	ST

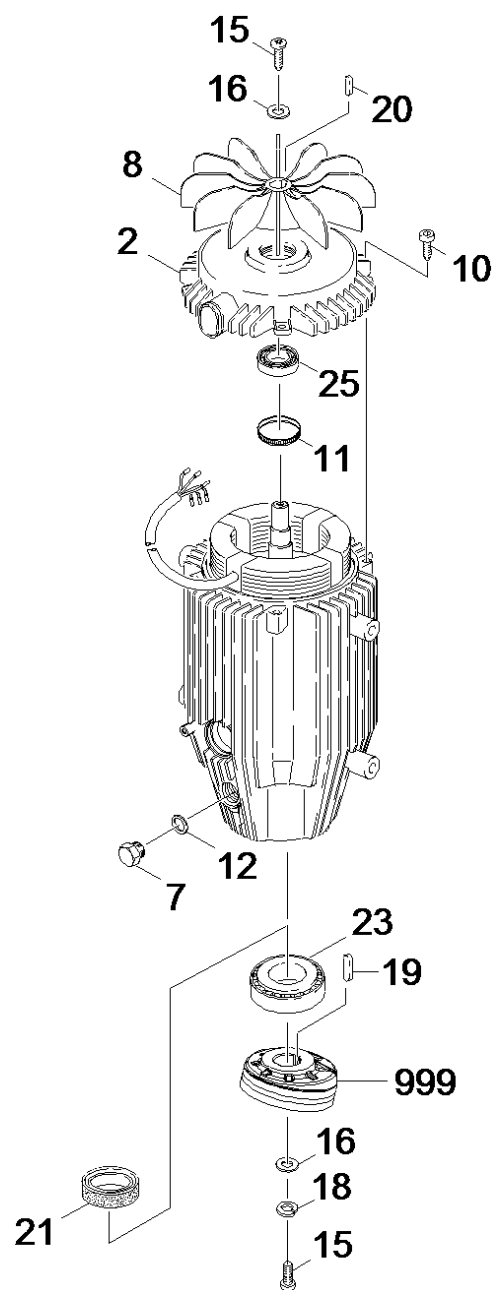


2 Housing thrust guidance HD 7/16-4 ST-H

POS	Article no.	Description	Quantity	Unit
1	4.061-017.0	Housing -nur für Ersatz-	1	ST
2	5.116-134.0	Washer	3	ST
3	5.333-027.0	Helical spring	3	ST
6	6.288-016.0	Gear oil 1L	1	ST
7		Part at pump set	1	ST
8	7.343-473.0	Snap ring 18 -FST DIN 9925	3	ST
999	4.553-284.0	Spare part set piston complete	3	ST

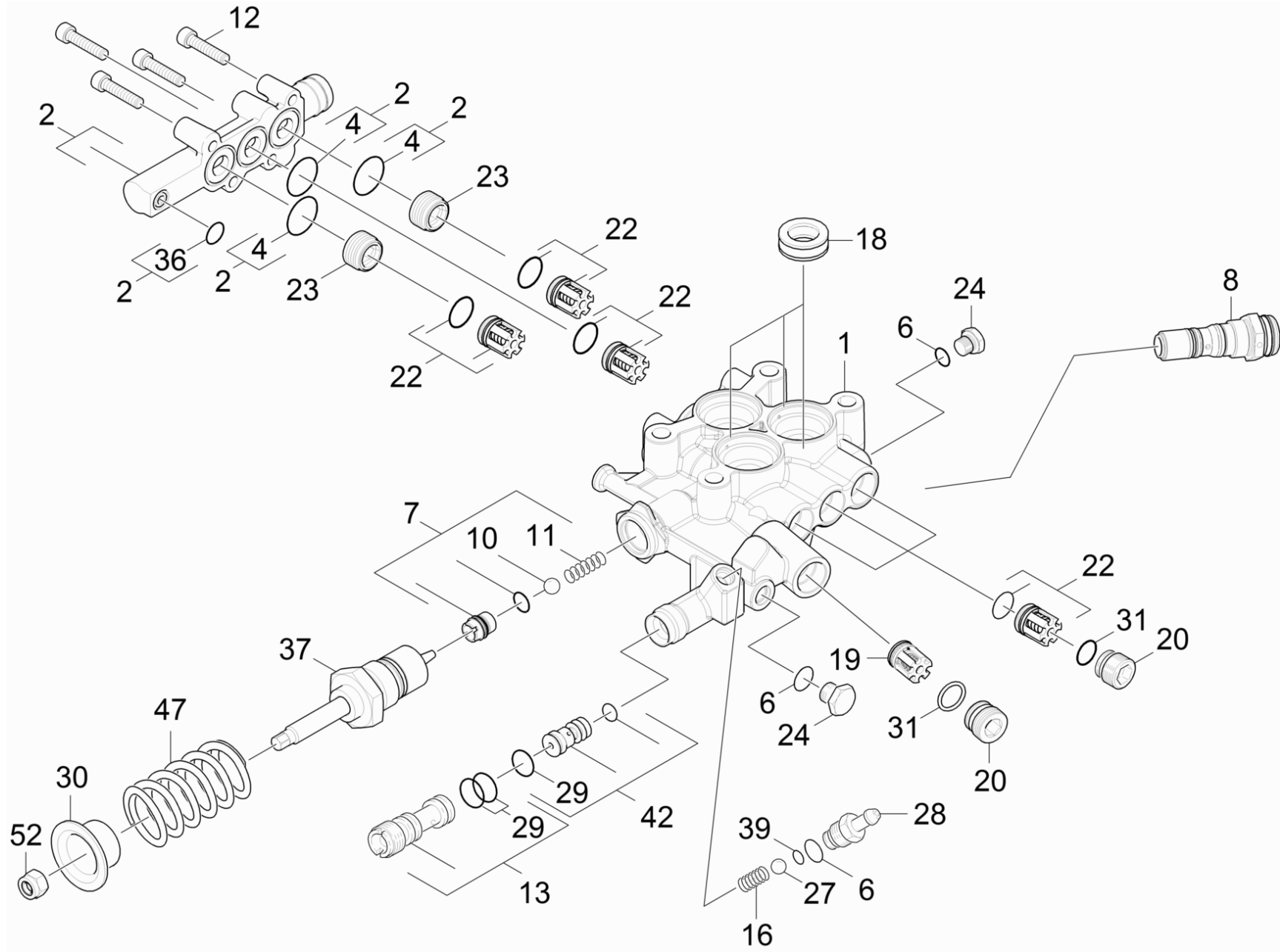
3 Motor complete only for replacement HD 7 (4.624-076.0)

POS	Description	Quantity	Unit
1	Motor complete HD 7/16-4ST 400V	1	ST



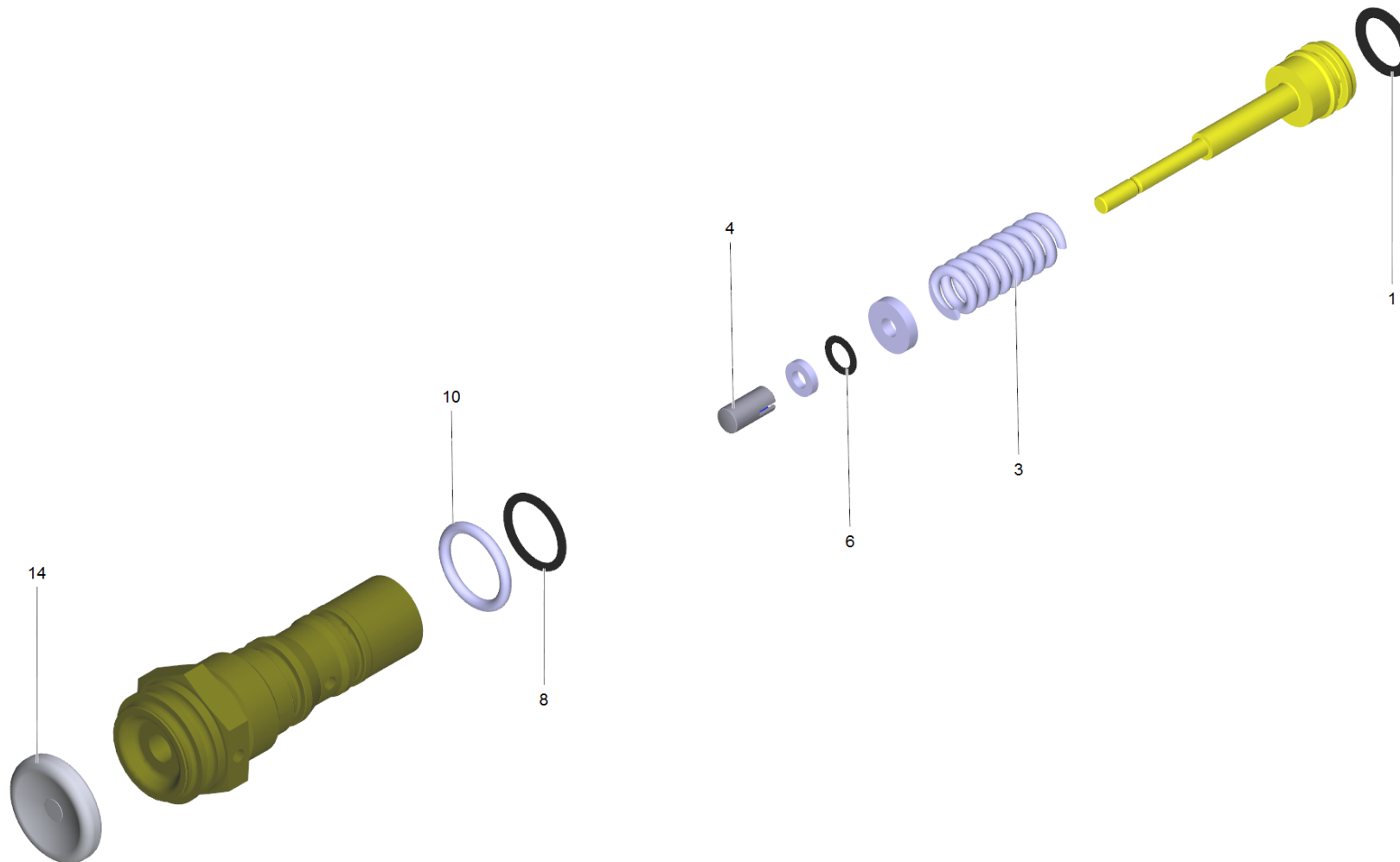
1 Motor complete HD 7/16-4ST 400V

POS	Article no.	Description	Quantity	Unit
2	5.063-707.0	Bearing cover B	1	ST
7	5.411-100.0	Screw plug	1	ST
8	5.600-046.0	Blower wheel	1	ST
10	6.303-265.0	Self-tapping screw M6x20	4	ST
11	6.343-171.0	Tolerance ring	1	ST
12	6.363-498.0	O-Ring seal 11,0x2,0 HNBR	1	ST
15	7.306-092.0	Screw M6x20-ST- 8.8-R3R (IN6RD)	2	ST
16	7.312-260.0	Washer 6 -100HV-A3E ISO 7094	2	ST
18	7.313-003.0	Spring washer B 6-FSt-A3E DIN 127	1	ST
19	7.318-070.0	Parallel key 5x5x20-C45K DIN 6885-1	1	ST
20	7.318-079.0	Parallel key A 5x5x25-C45K DIN 6885	1	ST
21	7.367-021.0	Radial shaft seal ring A30x40x7 -FKM DI	1	ST
23	6.401-399.0	Taper roller bearing	1	ST
25	6.401-285.0	Ball bearing 6204 2RS	1	ST
999	4.120-215.0	Wobble plate	1	ST



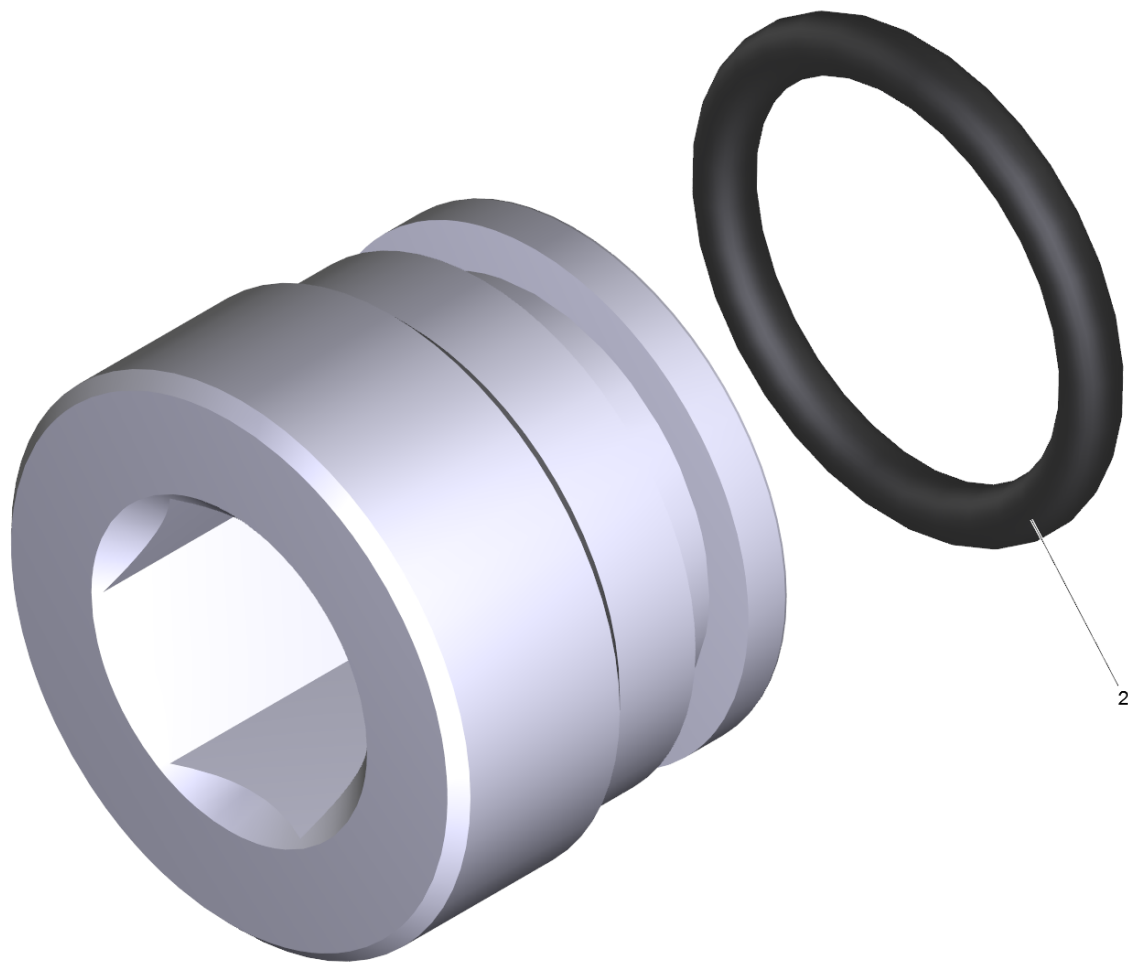
4 Cylinder head complete -H

POS	Article no.	Description	Quantity	Unit
1	4.550-976.0	Spare part set cylinder head HD	1	ST
2	4.064-023.0	Suction cover complete only for replacem	1	ST
4		Part at pump set	1	ST
6		Part at pump set	1	ST
7	4.481-256.0	Valve seat complete	1	ST
8	2.885-226.0	Spare part set control piston	1	ST
10	7.401-907.0	Sphere 3/8 G200-1.4301 DIN 5401	1	ST
11	5.332-999.0	Helical spring	1	ST
12	7.306-024.0	Cylinder head screw M6x30 -8.8-A2E ISO4762	4	ST
13	4.769-059.0	Nozzle insert complete	1	ST
16	5.332-258.0	Helical spring	1	ST
17	5.115-999.0	Washer	1	ST
18		Part at pump set	1	ST
19		Part at pump set	1	ST
20	4.483-002.0	Valve screw	4	ST
22		Part at pump set	1	ST
23	5.583-177.0	Valve screw M20x1	2	ST
24	5.411-070.0	Screw plug	2	ST
27	7.401-908.0	Sphere 7 G300 -1.4301 DIN 5401	1	ST
28	5.443-370.0	Nipple	1	ST
29	6.363-331.0	O-Ring seal 9,0 x 1,5	3	ST
30	5.112-757.0	Bush	1	ST
31		Part at pump set	1	ST
36		Part at pump set	1	ST
37	2.885-227.0	Spare part set overflow valve	1	ST
39	6.363-489.0	O-Ring seal 5,28x1,78	1	ST
42	2.885-230.0	Spare part set nozzle insert only for re	1	ST
47	5.332-530.0	Helical spring	1	ST
52	7.311-510.0	Hexagon nut M 8-8-A2E ISO 7040	1	ST



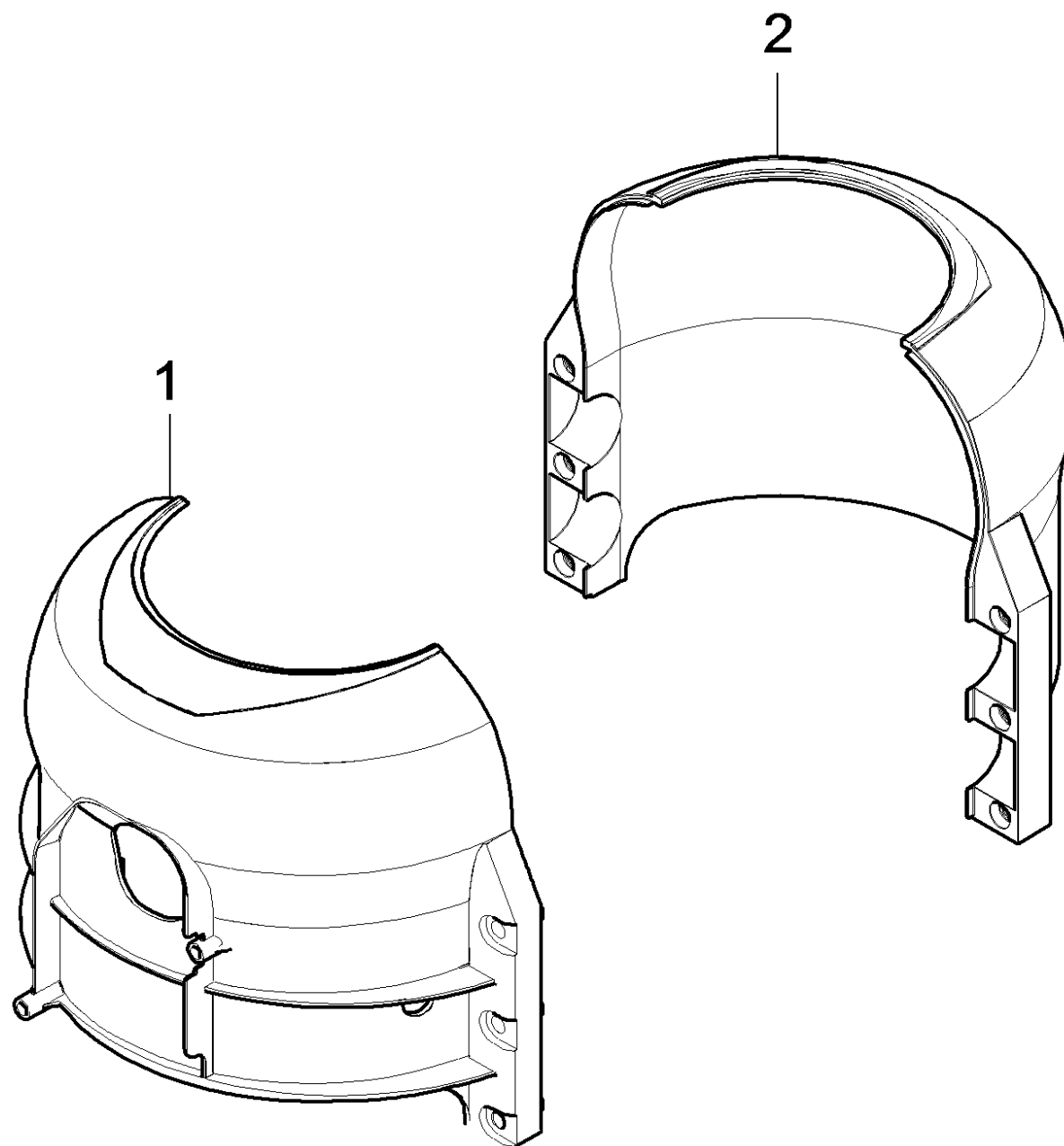
8 Spare part set control piston (2.885-226.0)

POS	Article no.	Description	Quantity	Unit
1	6.363-350.0	O-Ring seal 8.74x1.78	1	ST
3	5.332-511.0	Helical spring	1	ST
4	5.110-947.0	Sleeve	1	ST
6	6.363-330.0	O-Ring seal 2,9 x 1,78	1	ST
8	6.363-452.0	O-Ring seal 11 x 1,5	1	ST
10	6.363-519.0	O-Ring seal 12,00x 2,00	1	ST
14	5.367-030.0	Diaphragm	1	ST



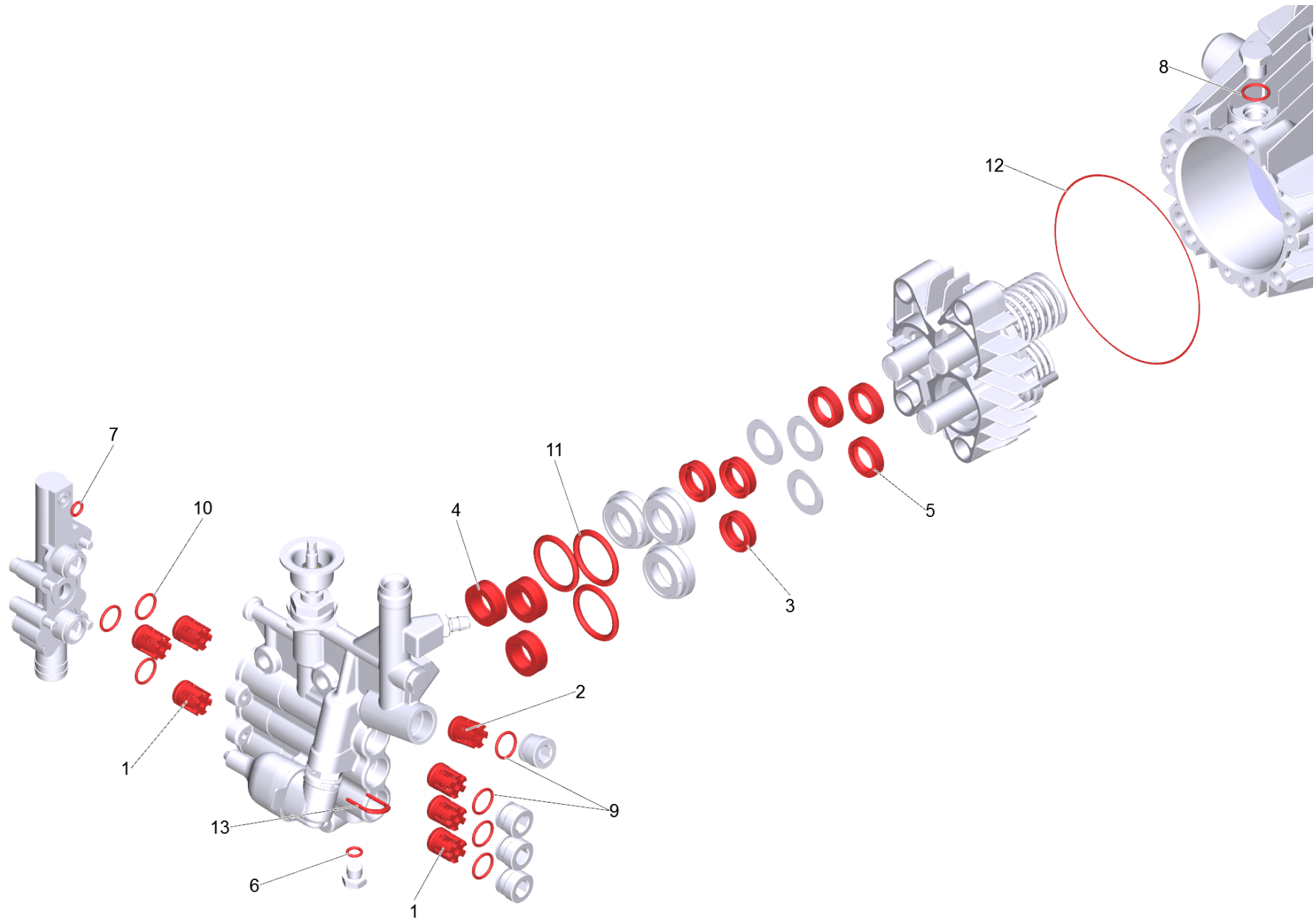
20 Valve screw (4.483-002.0)

POS	Article no.	Description	Quantity	Unit
2	6.363-459.0	O-Ring seal 14 x 2	1	ST



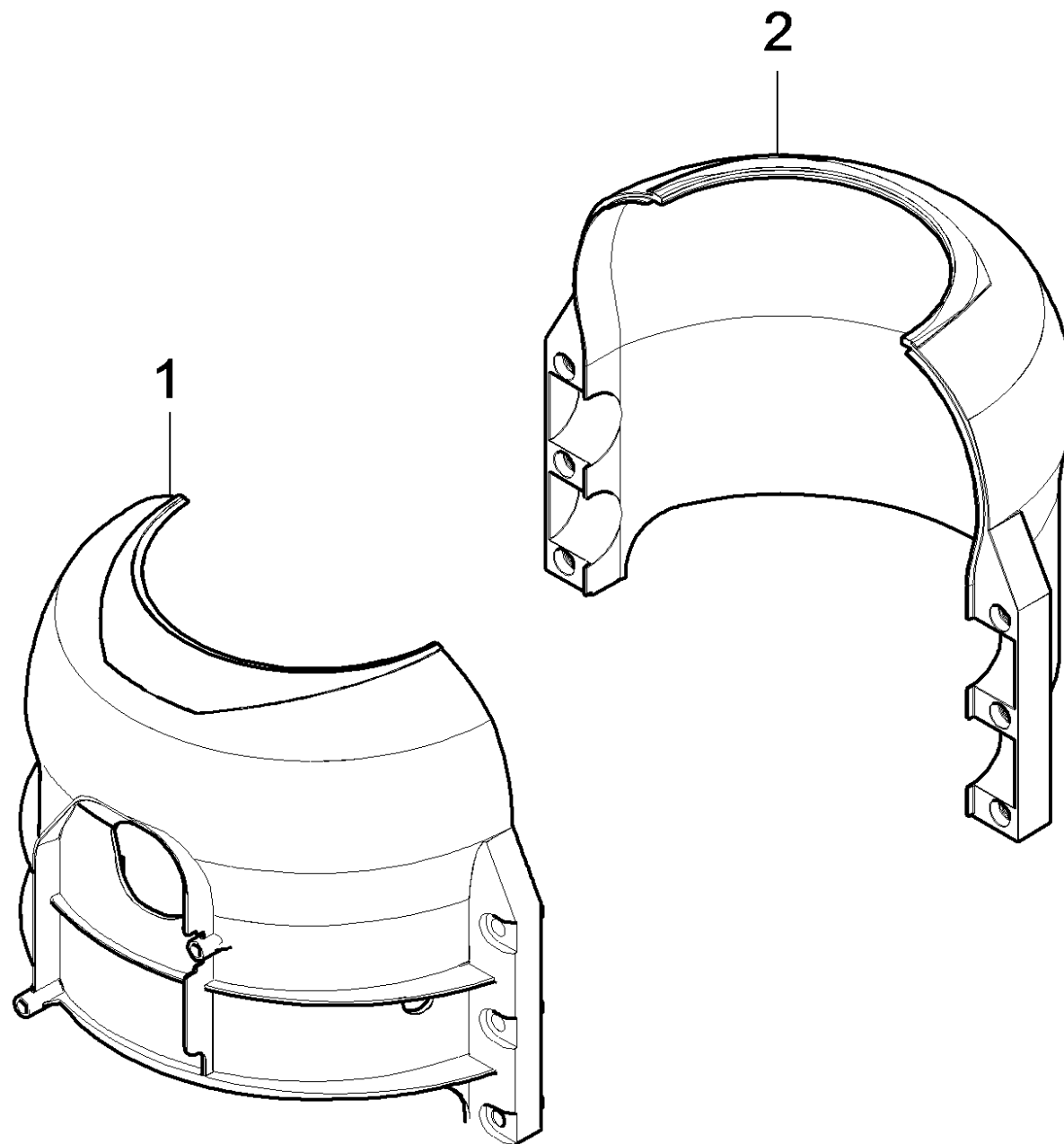
13 Spare part set air circulation (2.885-228.0)

POS	Description	Quantity	Unit
1	Air circulation front	1	ST
2	Air circulation rear	1	ST



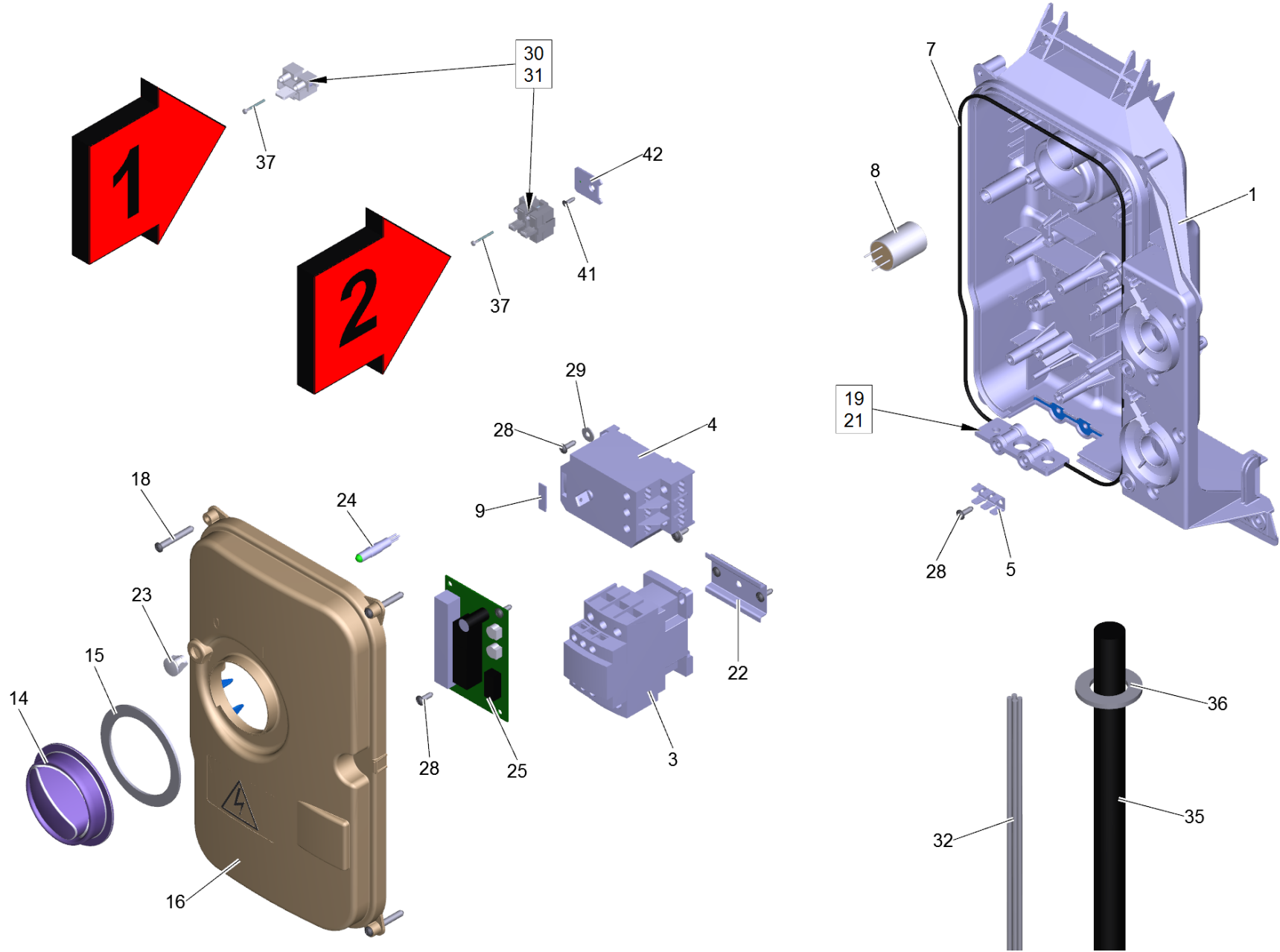
100 Pump set HD 7/16-4 ST-H (2.885-317.0)

POS	Article no.	Description	Quantity	Unit
1	2.885-139.0	Valve (3Stueck)	2	ST
2	4.580-734.0	Valve complete	1	ST
3	2.885-432.0	Set of gaskets ND PTFE (3x)	1	ST
4	2.885-237.0	Set of gaskets high pressure W1 (3 Stuec	1	ST
5	6.365-560.0	Grooved ring 18x26x7/6	3	ST
6	6.363-496.0	O-Ring seal 7,0x2,0	3	ST
7	6.363-492.0	O-Ring seal 8,0x1,5	1	ST
8	6.363-498.0	O-Ring seal 11,0x2,0 HNBR	1	ST
9	6.363-459.0	O-Ring seal 14 x 2	3	ST
10	6.363-494.0	O-Ring seal 20,0x1,5	3	ST
11	6.363-462.0	O-Ring seal 33,05 x 1,78	3	ST
12	6.363-618.0	O-Ring seal 88.57 x 2.62 HNBR 70 Shore	1	ST
13	5.034-494.0	Retaining bracket	1	ST
14	6.288-072.0	Silicon grease	1	ST



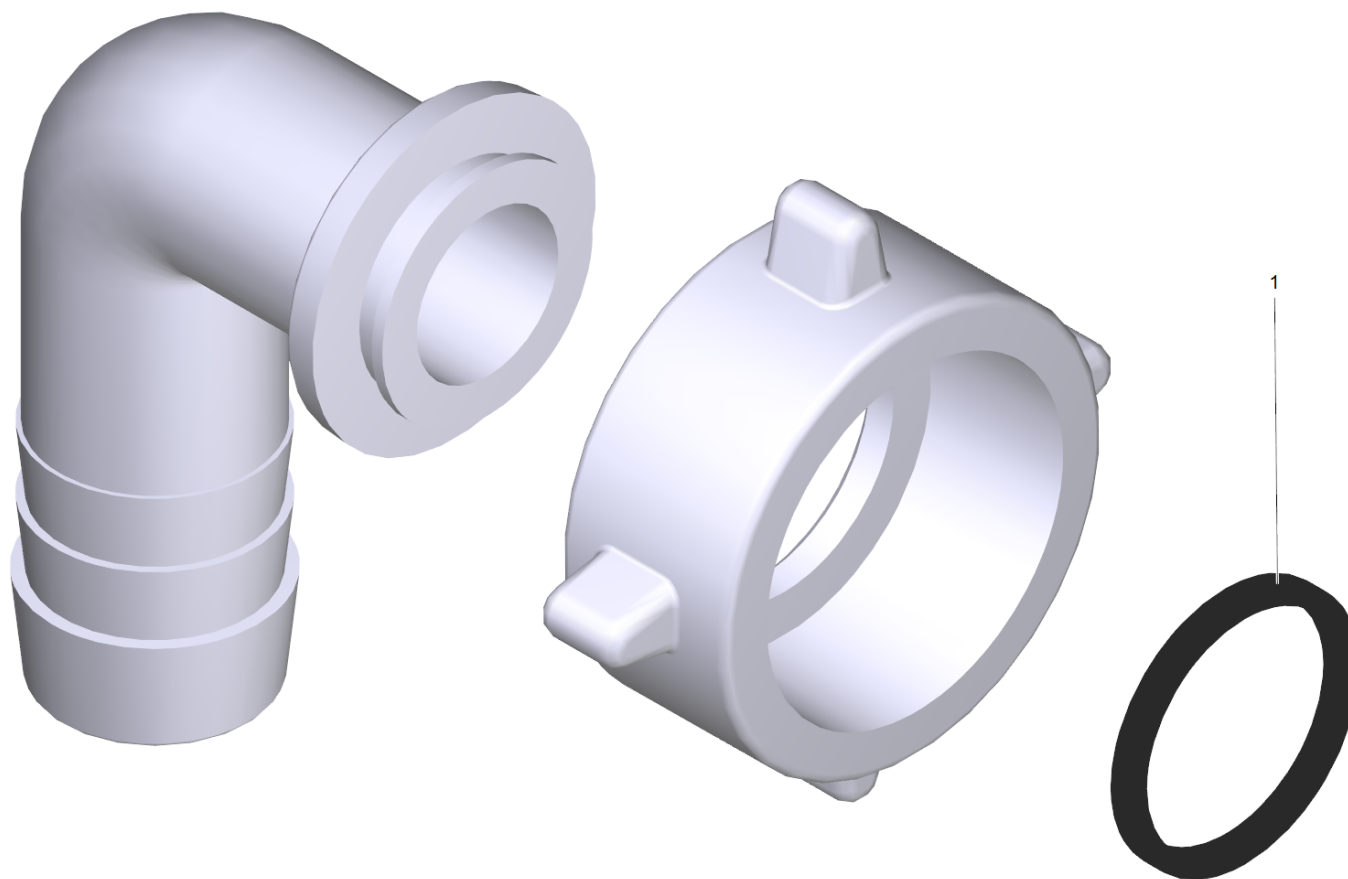
3 Spare part set air circulation (2.885-228.0)

POS	Description	Quantity	Unit
1	Air circulation front	1	ST
2	Air circulation rear	1	ST



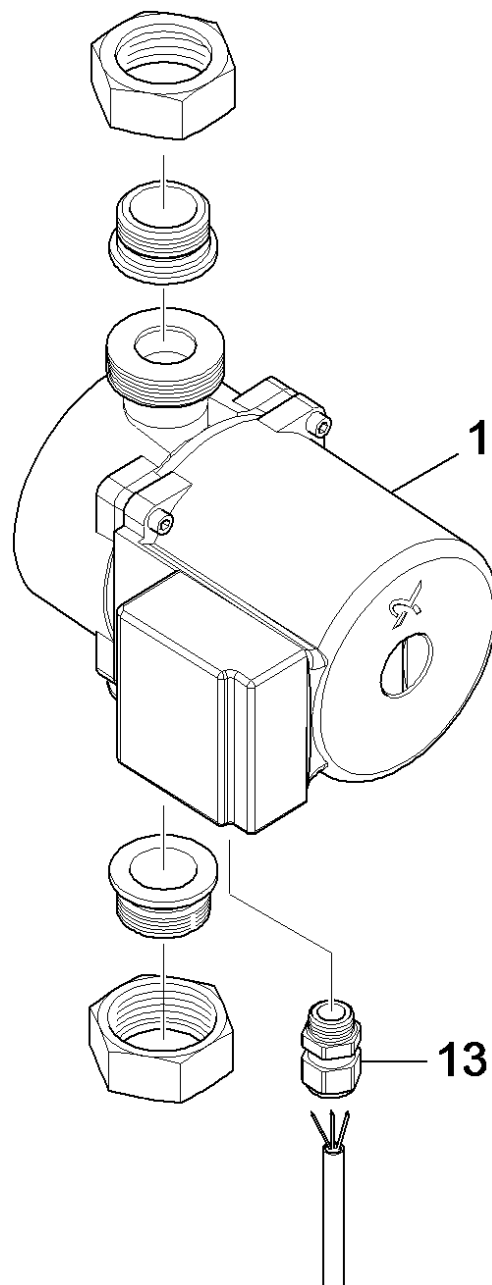
4 Electric control box HD-ST 7/16 230V

POS	Article no.	Description	Quantity	Unit	Foot note text
1	5.062-336.0	Housing electric control box	1	ST	
3	6.632-334.0	Power contactor LC1 D32 B7	1	ST	
4	6.631-190.0	Motor protecting switch	1	ST	
5	6.641-270.0	Plug	1	ST	
7	6.273-037.0	Seal string cellular rubber 3	0,8	M	
8	6.661-302.0	Interference suppressor triple-pole	1	ST	
9	6.630-049.0	Cap	1	ST	
14	5.321-692.0	Handle	1	ST	
15	5.363-616.0	Joint ring	1	ST	
16	5.064-413.0	Cover electric control box	1	ST	
18	7.303-085.0	Screw 4x 35 -10.9-R2R (K-In6Rd)	4	ST	
19		Tensioning part 13/14/7	2	ST	
21		Sheet metal screw ST3,9x45 -St-A2K-C-H I	2	ST	
22	5.802-261.0	Mounting part	1	ST	
23	6.651-506.0	Lens housing	1	ST	
24	6.651-505.0	Pilot lamp	1	ST	
25	6.984-610.0	Circuit board control system HD-ST	1	ST	
28	7.303-106.0	Screw 4x12 -10.9-R2R (IN6RD)	7	ST	
29	7.312-281.0	Washer 4 -200HV-A2E ISO7093-1	2	ST	
30	6.643-336.0	Strip terminal	2	ST	VERSION 1
30	6.643-471.0	Strip terminal with fuse	2	ST	VERSION 2
31	6.644-070.0	Fuse insert medium time-lag G-5,0A	2	ST	
32	6.650-139.0	Cable harness HD-ST EU II	1	ST	
35	6.649-441.0	Cable without plug	1	ST	
36	7.312-098.0	Washer 27 -PA6.6-Natur ISO 7089	1	ST	
37	6.303-245.0	Cylinder head screw 3X18-ST-A2E	1	ST	VERSION 1
37	7.306-045.0	Screw M2x20 -4.8-A2K DIN 84	1	ST	VERSION 2
41	7.303-119.0	Countersunk screw 3x10 -10.9-R2R (In6Rd)	1	ST	VERSION 2
42	5.013-470.0	Plate clamp	1	ST	VERSION 2



12 Elbow screw connector R1" (6.391-867.0)

POS	Article no.	Description	Quantity	Unit
1	6.362-358.0	Seal	1	ST

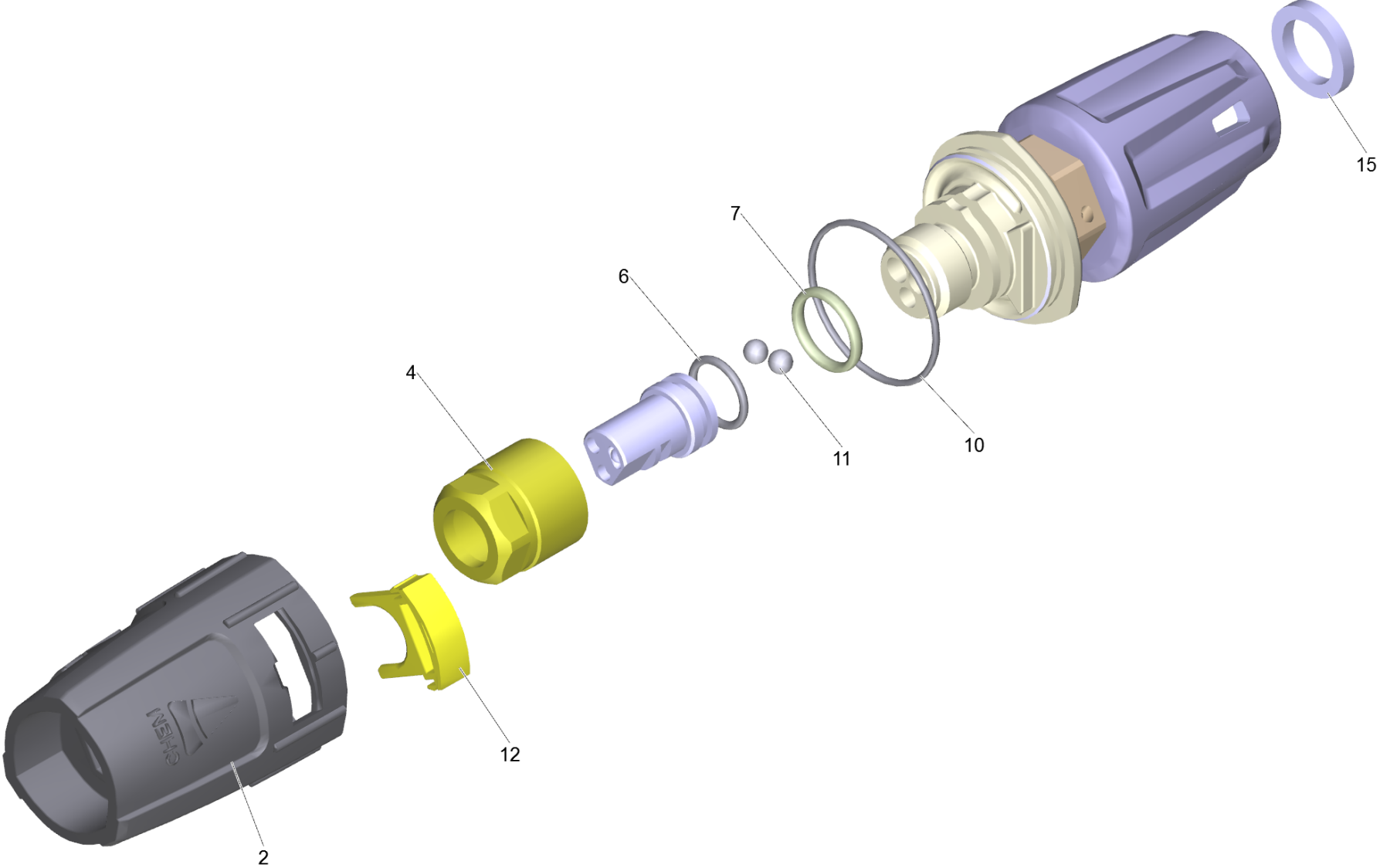


13 Circulation pump (4.540-133.0)

POS	Article no.	Description	Quantity	Unit
1	6.473-533.0	Admission pressure pump one-pole	1	ST
13	6.641-357.0	Cable gland PG11	1	ST

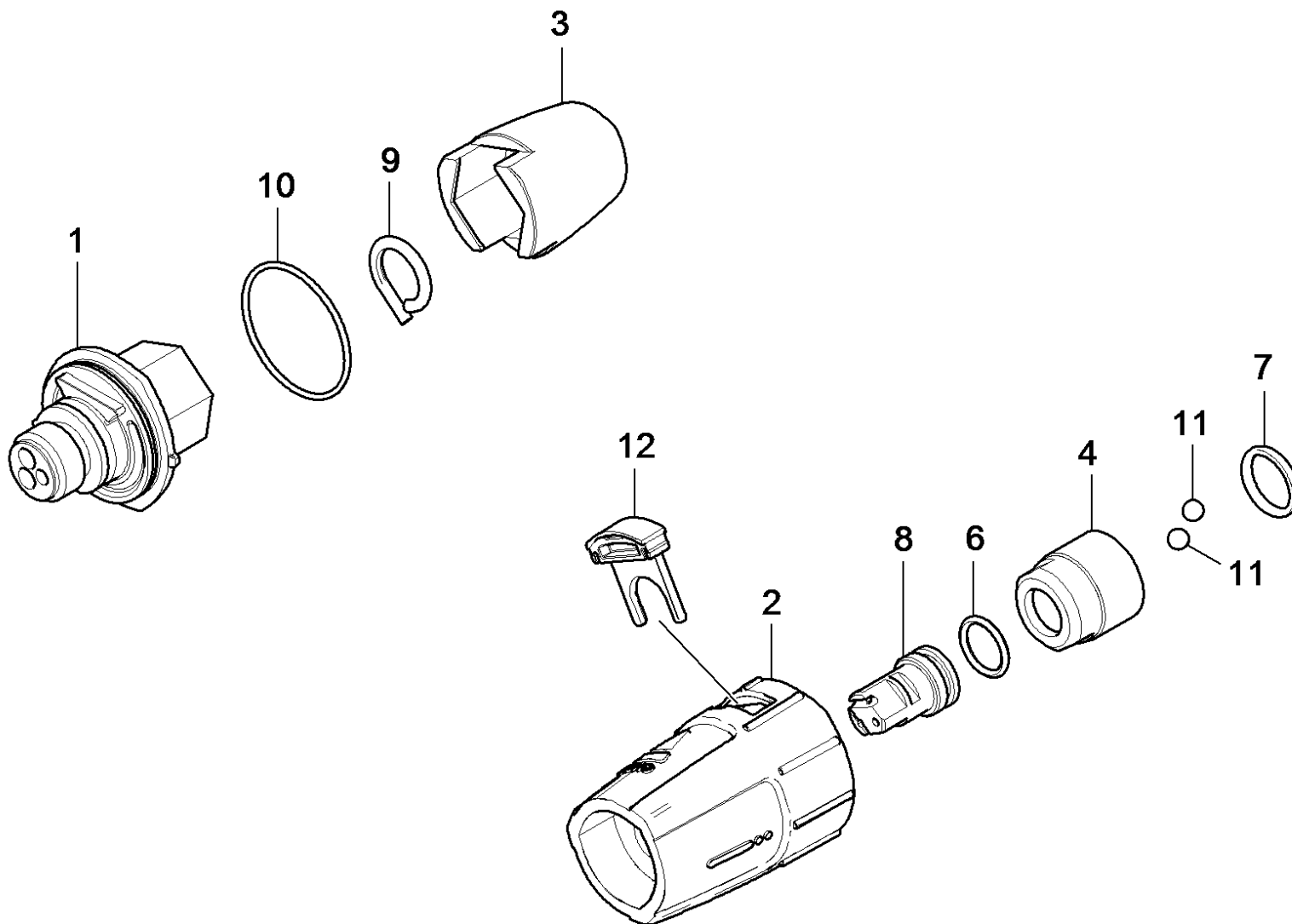
40 Triple jet nozzle TR 043 (4.117-035.0)

POS	Description	Quantity	Unit
1	Triple jet nozzle TR 043	1	ST



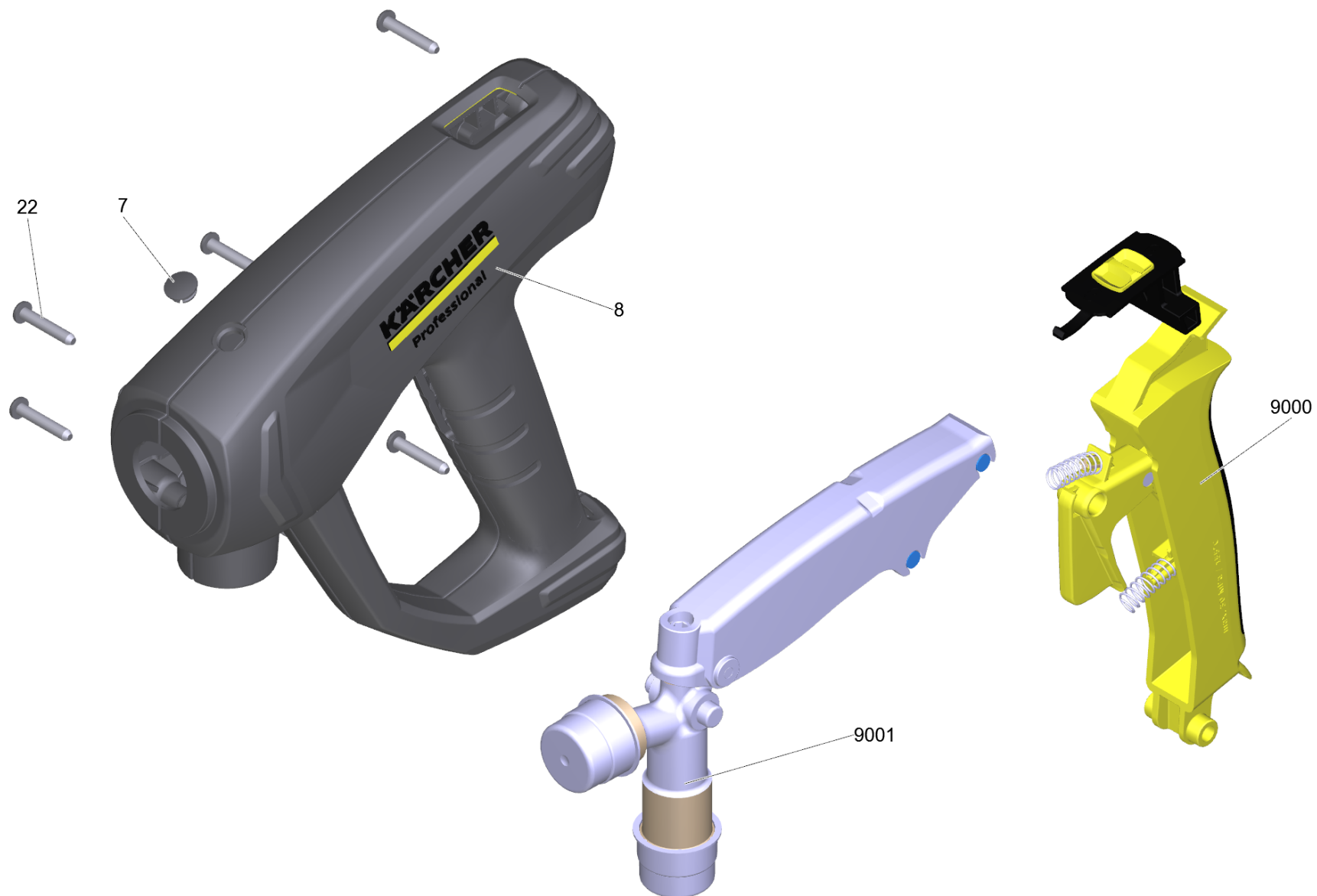
1 Triple jet nozzle TR 043

POS	Article no.	Description	Quantity	Unit
2	5.394-859.0	Protection part	1	ST
4	5.311-225.0	Nut	1	ST
6	6.362-480.0	O-Ring seal 12,42x 1,78	1	ST
7	6.362-460.0	O-Ring seal 14,0 X 2,5-NBR 70	1	ST
10	6.362-409.0	O-Ring seal 32,0 X 1,5	1	ST
11	7.401-902.0	Sphere 5 G20 -1.4034 DIN 5401	2	ST
12	5.321-884.0	Clamp	1	ST
15	6.363-696.0	Brake ring 14x20x3	1	ST



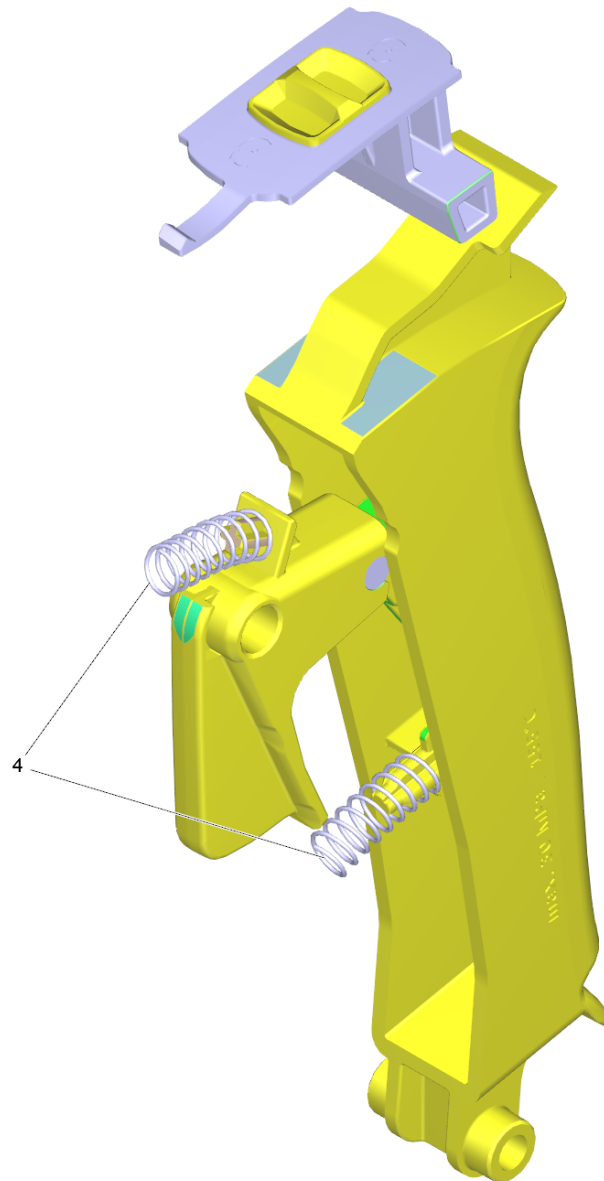
40 Triple jet nozzle only for replacement 0 (4.767-152.0)

POS	Article no.	Description	Quantity	Unit
1		Distributor	1	ST
2	5.394-859.0	Protection part	1	ST
3	5.394-530.0	Protection part complete	1	ST
4	5.311-225.0	Nut	1	ST
6	6.362-480.0	O-Ring seal 12,42x 1,78	1	ST
7	6.362-460.0	O-Ring seal 14,0 X 2,5-NBR 70	1	ST
8	5.415-605.0	Triple jet nozzle 043	1	ST
9	6.343-150.0	Pin 03	1	ST
10	6.362-409.0	O-Ring seal 32,0 X 1,5	1	ST
11	7.401-902.0	Sphere 5 G20 -1.4034 DIN 5401	2	ST
12	5.321-884.0	Clamp	1	ST



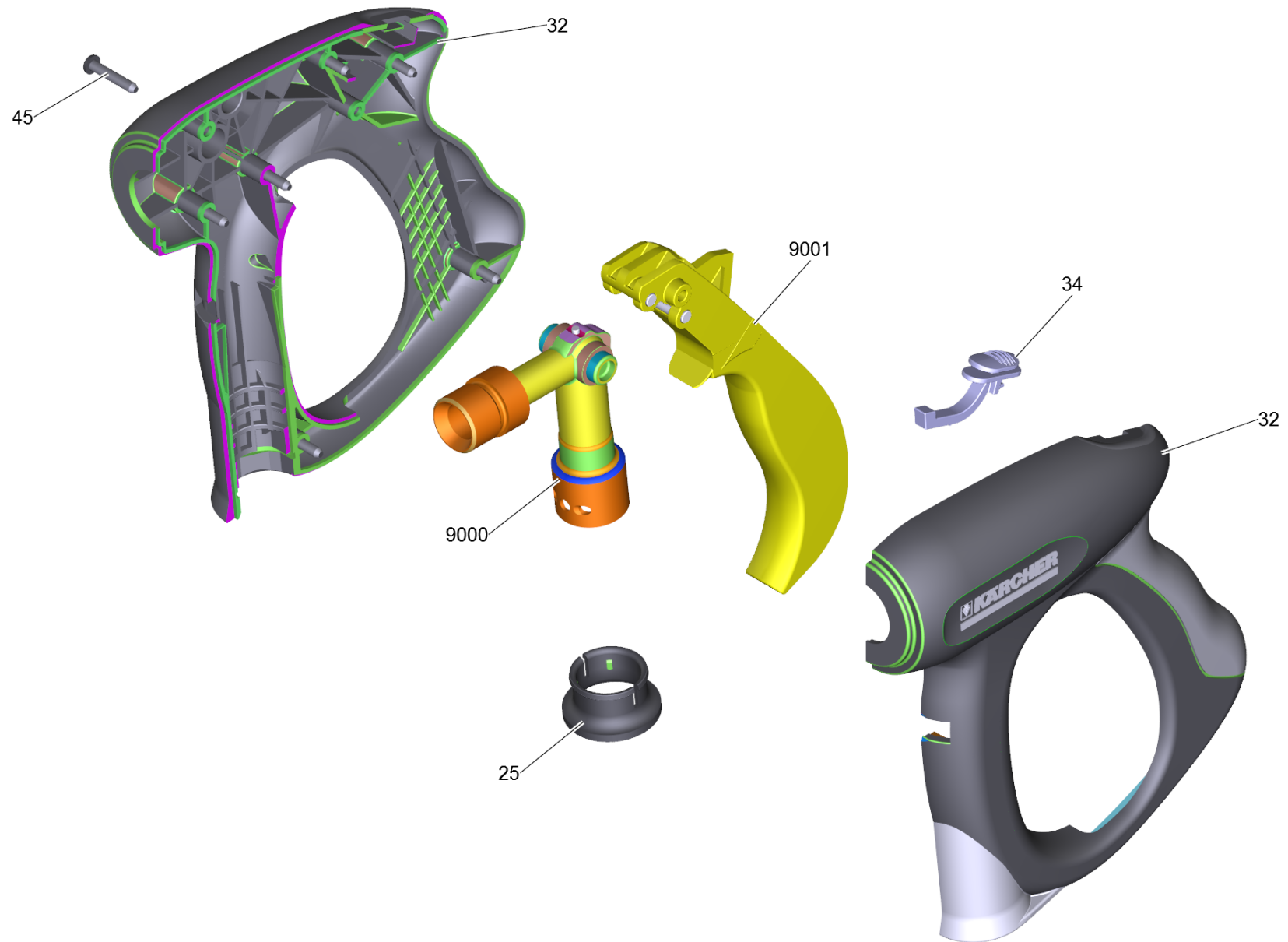
41 EASY!Force Advanced (4.118-005.0)

POS	Article no.	Description	Quantity	Unit
7	5.132-001.0	Plug	1	ST
8	5.321-136.3	Handhold few EH 155 only for replacement	1	ST
22	7.303-096.0	Screw 4x22 -ST-10.9-R2R (IN6RD)	7	ST
9000	2.885-483.0	Spare part set lever	1	ST
9001	4.427-014.0	Manifold TR EH 155 nur fuer Ersatz	1	ST



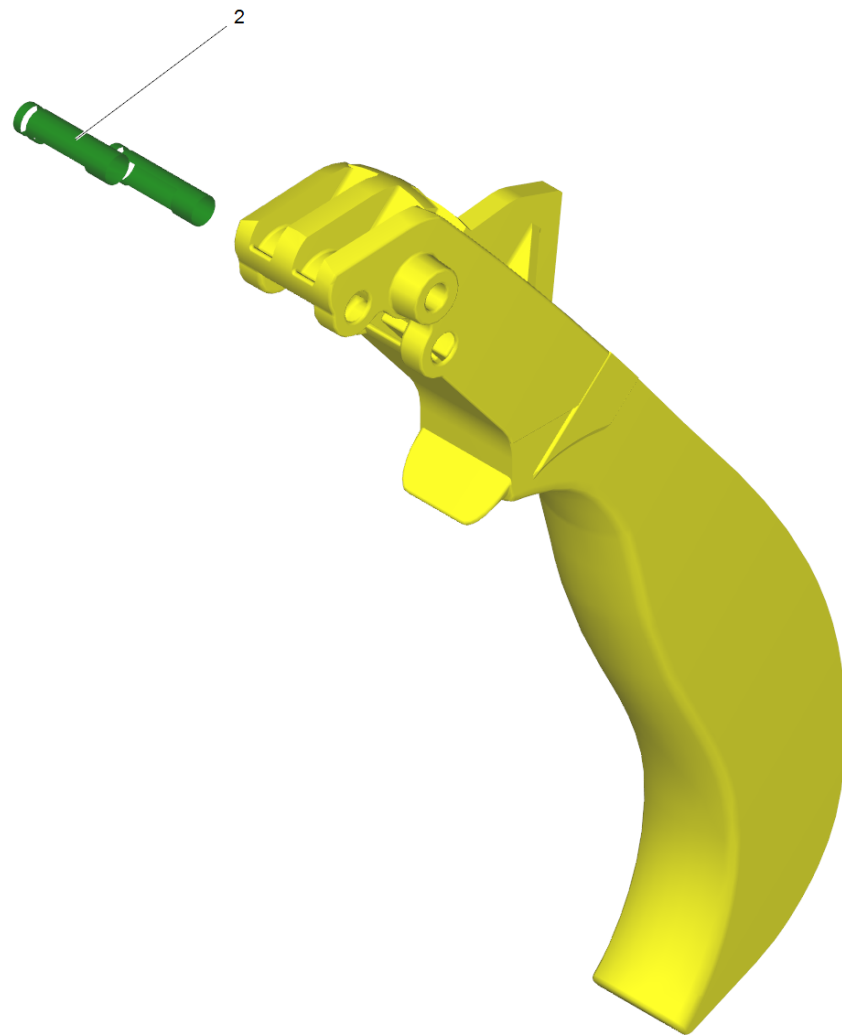
9000 Spare part set lever (2.885-483.0)

POS	Article no.	Description	Quantity	Unit
4	5.332-178.0	Helical spring	2	ST



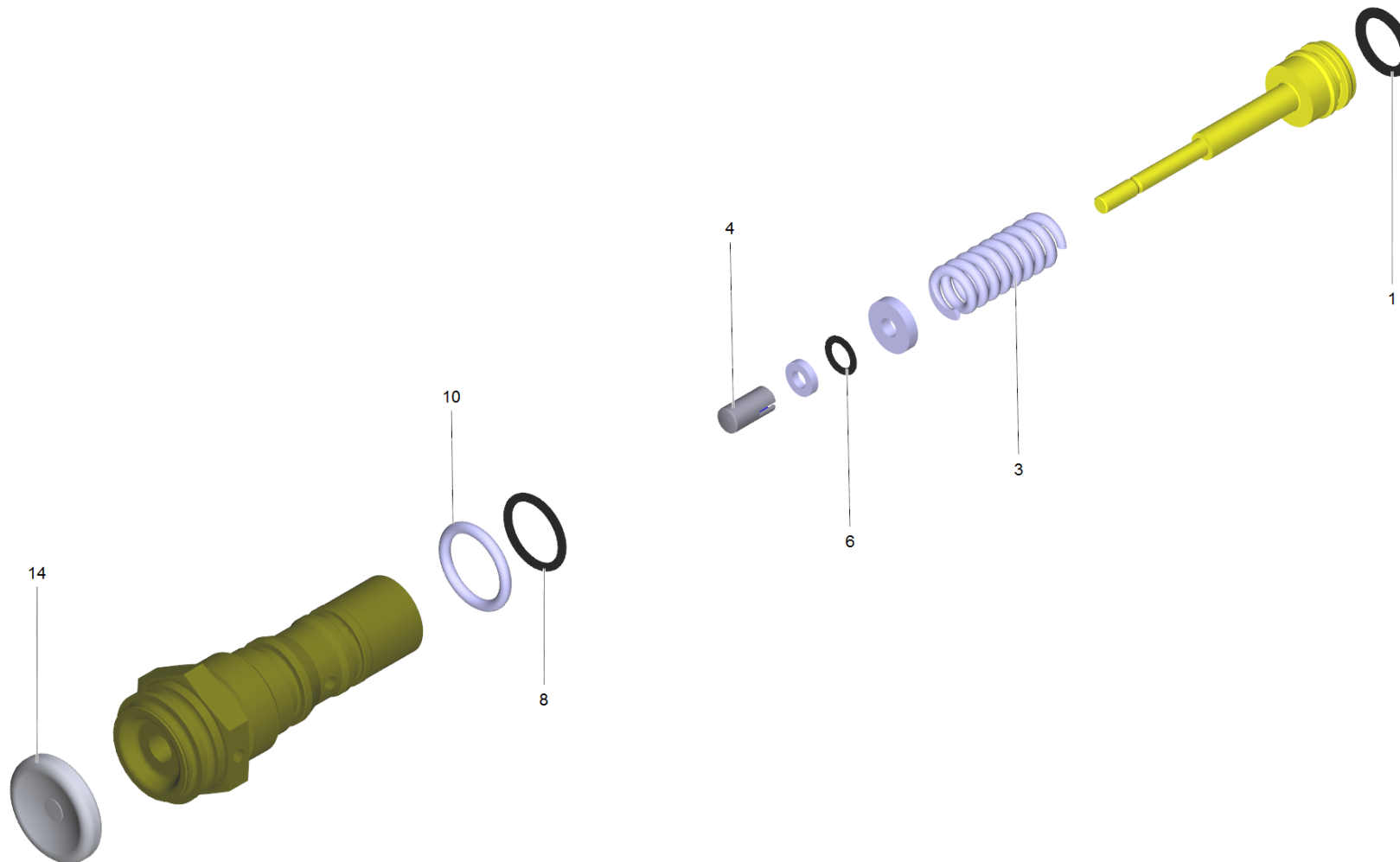
41 Hand trigger gun (4.775-448.0)

POS	Article no.	Description	Quantity	Unit
25	5.110-596.0	Sleeve	1	ST
32	5.321-669.3	Handhold few	1	ST
34	5.481-331.0	Slider	1	ST
45	7.303-096.0	Screw 4x22 -ST-10.9-R2R (IN6RD)	7	ST
9000	4.427-215.0	Manifold complete only for replacement	1	ST
9001	4.481-209.0	Lever complete	1	ST



9001 Lever complete (4.481-209.0)

POS	Article no.	Description	Quantity	Unit
2	5.314-119.0	Pin	2	ST

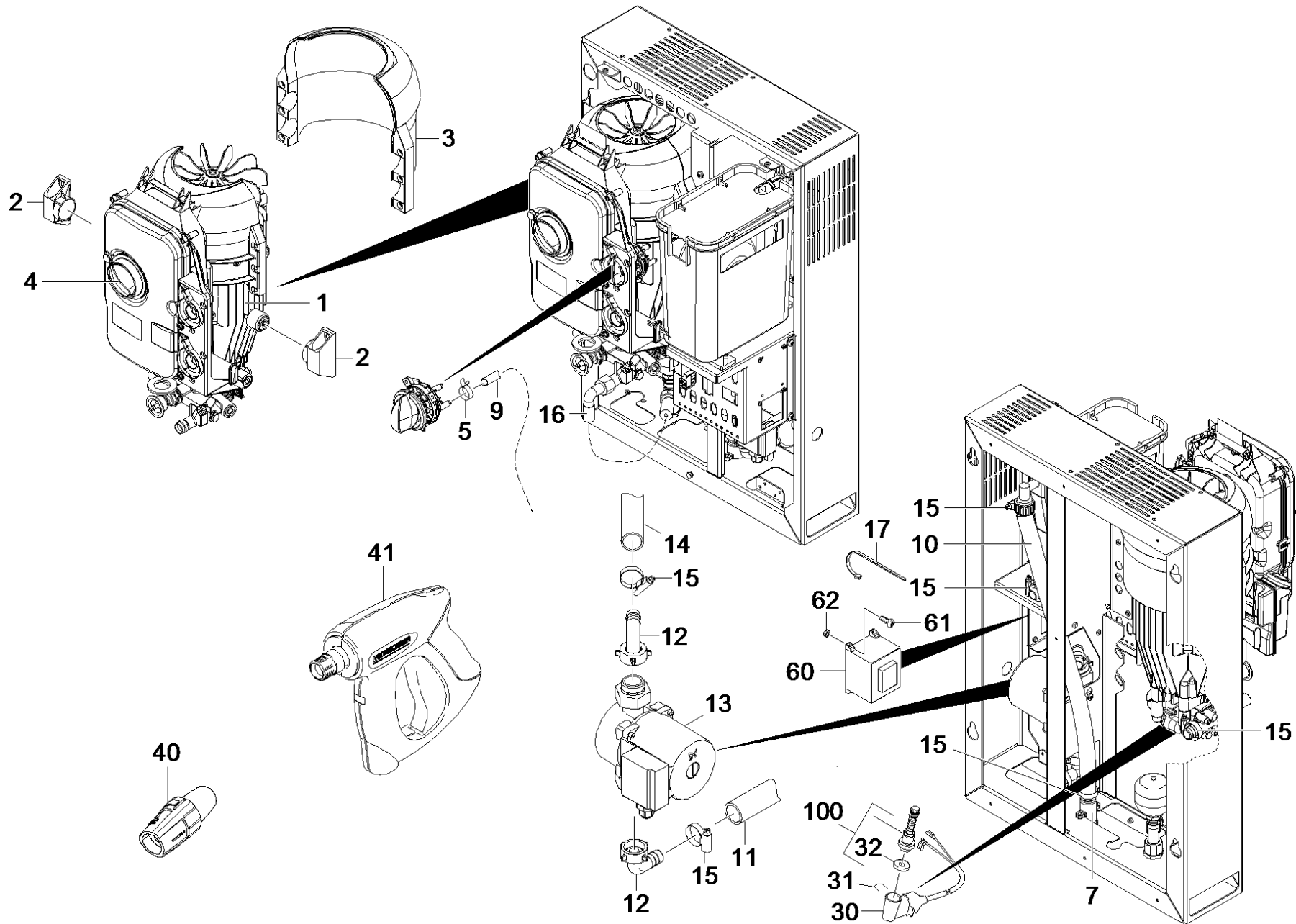


100 Spare part set control piston (2.885-226.0)

POS	Article no.	Description	Quantity	Unit
1	6.363-350.0	O-Ring seal 8.74x1.78	1	ST
3	5.332-511.0	Helical spring	1	ST
4	5.110-947.0	Sleeve	1	ST
6	6.363-330.0	O-Ring seal 2,9 x 1,78	1	ST
8	6.363-452.0	O-Ring seal 11 x 1,5	1	ST
10	6.363-519.0	O-Ring seal 12,00x 2,00	1	ST
14	5.367-030.0	Diaphragm	1	ST

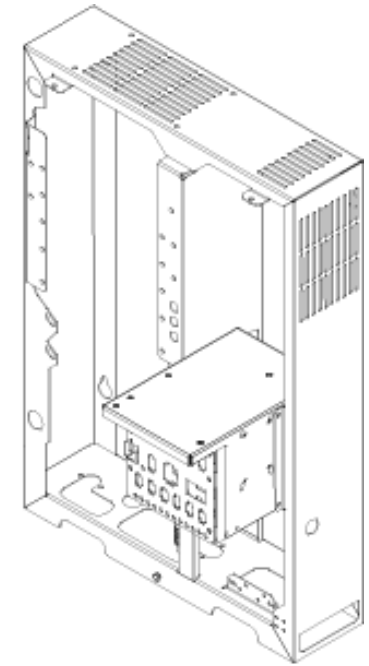
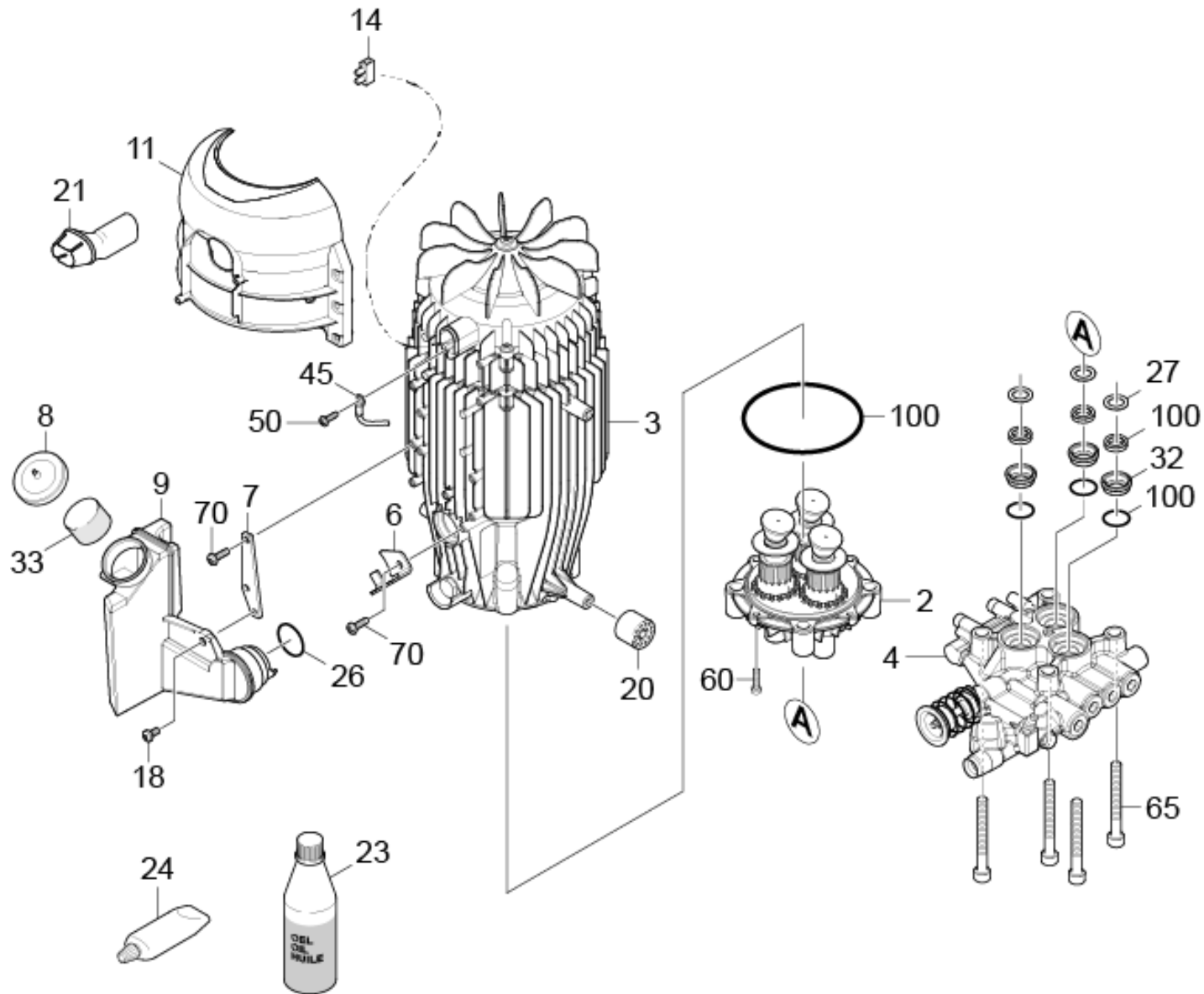
21 Pump set complete HD 9/18-4 ST-H 230V

POS	Article no.	Description	Quantity	Unit
1000	2.532-006.3	Spare parts list pump set complete HD 9/	1	ST



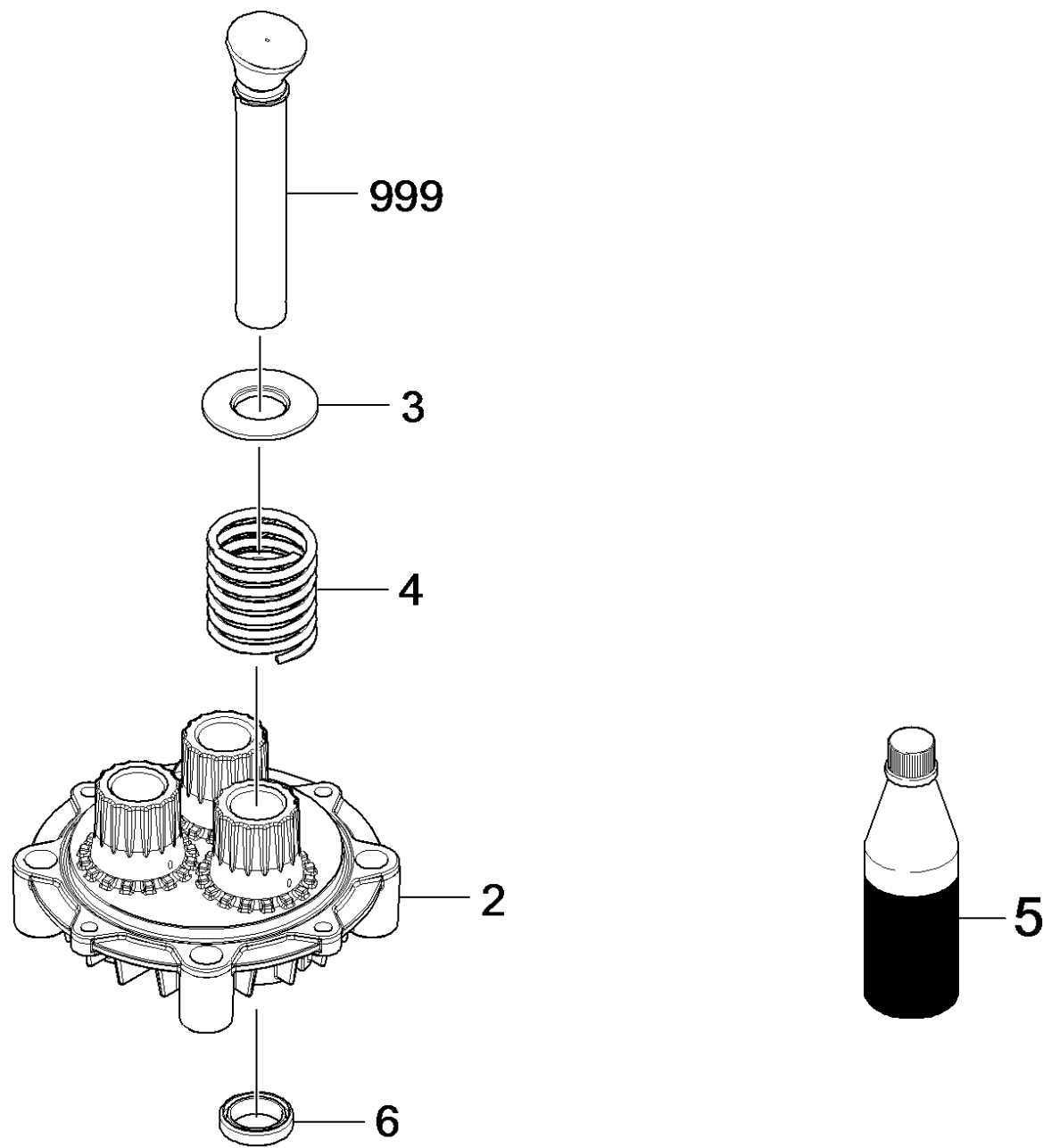
1000 Spare parts list pump set complete HD 9/ (2.532-006.3)

POS	Article no.	Description	Quantity	Unit	Remark
1		Pump set HD 9/18-4 ST-H	1	ST	
2	5.044-998.0	Holder	2	ST	
3	2.885-228.0	Spare part set air circulation	1	ST	
4		Electric control box HD-ST 230V	1	ST	
5	6.390-133.0	Hose clip	2	ST	
6	7.306-190.0	Screw M6x8 -A2-70 (In6Rd)	2	ST	
7	5.427-432.0	Manifold	1	ST	
8	7.312-026.0	Washer 6 -A2 ISO 7089	2	ST	
9	6.388-247.0	Hose DN8 -PVC	1	M	
10	6.388-719.0	Hose DN17	1	M	
11	5.443-628.0	Hose	1	ST	
12	6.391-867.0	Elbow screw connector R1"	2	ST	
13	4.540-133.0	Circulation pump	1	ST	
14	6.388-293.0	Elbow hose	1	ST	
15	7.373-022.0	Hose clip A-16-27x9 -W2-2 DIN3017	6	ST	
16	6.392-198.0	Hose assembly DN8 40MPa 0,46m	1	ST	
17	6.641-465.0	Cable tape	1	ST	
30	4.744-242.0	Switch kpl. -nur für Ersatz-	1	ST	
31	5.034-494.0	Retaining bracket	1	ST	
32	5.367-030.0	Diaphragm	1	ST	
40	4.117-039.0	Triple jet nozzle TR 055	1	ST	1.524-950.2
40	4.767-066.0	Triple jet nozzle 055	1	ST	1.524-500.2
41	4.118-005.0	EASY!Force Advanced	1	ST	1.524-950.2
41	4.775-463.0	HAND TRIGGER GUN EASY PRESS	1	ST	1.524-500.2
60	6.622-336.0	Control transformer 96VA - EI78/40,5 230	1	ST	
61	7.306-058.0	Screw M 4X 12- 8.8-R2R K-IN6RD	4	ST	
62	7.311-569.0	Square nut M4 -04-A2E DIN 562	4	ST	
100	2.885-226.0	Spare part set control piston	1	ST	



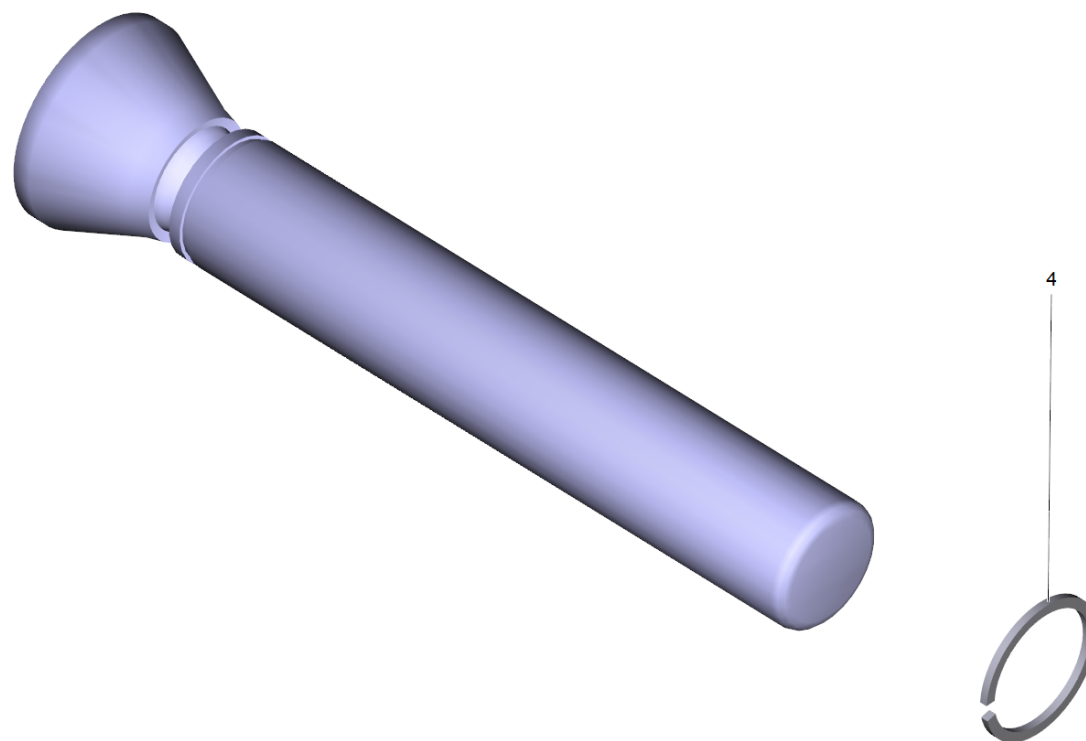
1 Pump set HD 9/18-4 ST-H

POS	Article no.	Description	Quantity	Unit
2		Thrust guidance complete	1	ST
3	4.624-071.0	Motor complete only for replacement HD 9	1	ST
4		Cylinder head complete -H	1	ST
6	5.011-428.0	Plate bracket	1	ST
7	5.044-918.0	Retaining plate box oil	1	ST
8	5.064-457.0	Cover plate qusty grey oil	1	ST
9	5.070-831.0	Tank oil	1	ST
11	2.885-228.0	Spare part set air circulation	1	ST
14	6.643-151.0	Strip terminal one-pole 16mm ²	1	ZST
18	7.306-180.0	Screw M5x10-A2-70 (In6Rd)	1	ST
20	5.767-005.0	Rubber buffer	4	ST
21	5.365-341.0	Profile gasket long	1	ST
23	6.288-016.0	Gear oil 1L	1	ST
24	6.288-044.0	Silicon grease 100 G	1	ST
26	6.363-499.0	O-Ring seal 28,0x3,0	1	ST
27	5.115-255.0	Washer	3	ST
32	5.112-866.0	Bush	3	ST
33	5.132-187.0	Plug	1	ST
45	4.820-578.0	Cable green/yellow 1,5mm ² x450mm	1	ST
50	7.303-031.0	Screw M4x10 -St-P2R (In6Rd)	1	ST
60	7.306-105.0	Screw M6x30 -8.8-R3R (In6Rd)	2	ST
65	7.306-155.0	Cylinder head screw M12x100 -8.8-A3E IS	4	ST
70	7.303-039.0	Screw M5x16 -St-P2R (In6Rd)	3	ST
100	2.885-318.0	Pump set HD 9/18 ST-H	1	ST



2 Thrust guidance complete

POS	Article no.	Description	Quantity	Unit
2	5.061-185.3	Thrust guidance	1	ST
3	5.116-310.0	Washer	3	ST
4	5.332-550.0	Helical spring	3	ST
5	6.288-016.0	Gear oil 1L	1	ST
6		Part at pump set	1	ST
999	4.553-279.0	Piston complete	3	ST

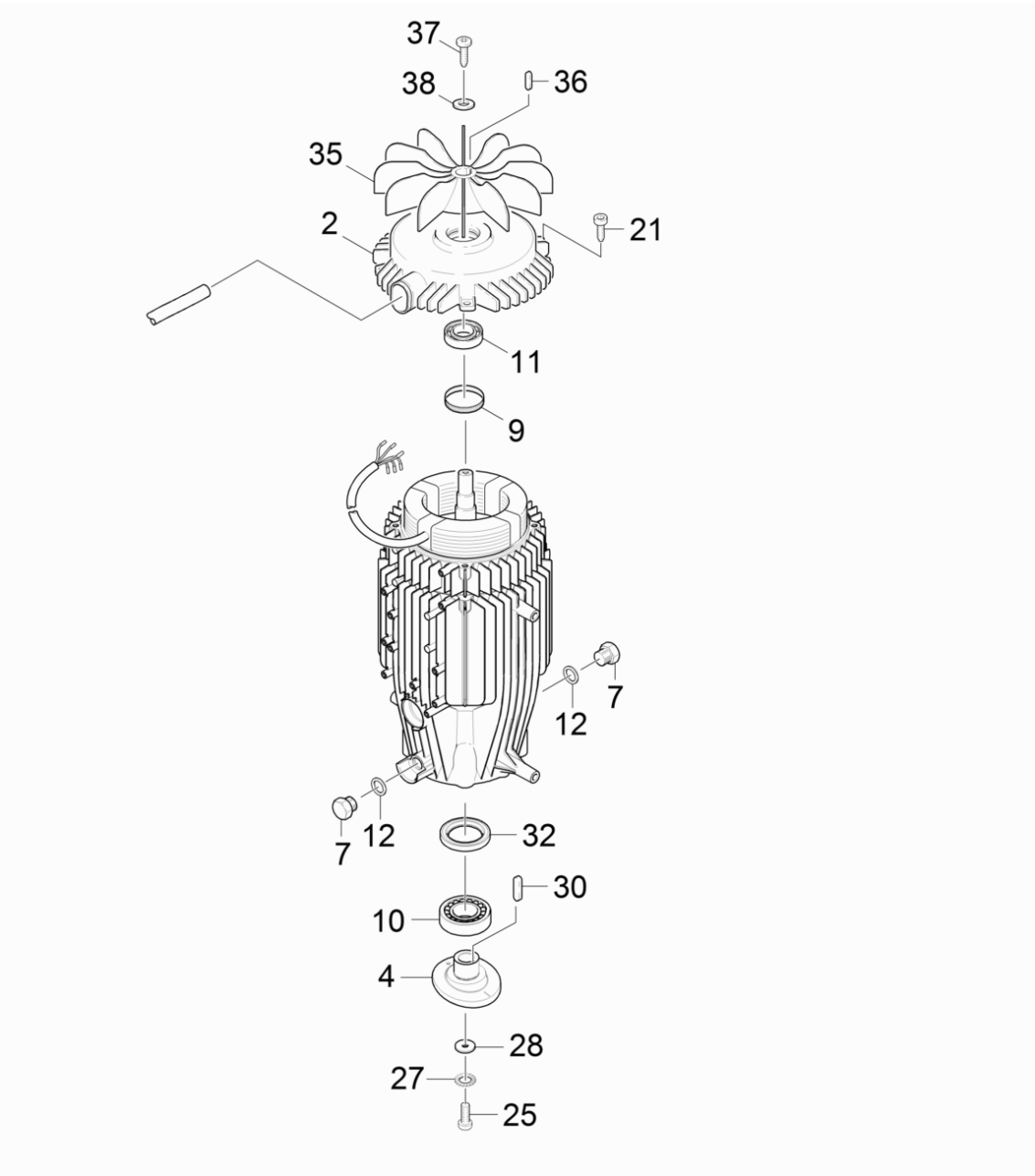


999 Piston complete (4.553-279.0)

POS	Article no.	Description	Quantity	Unit
4	6.472-331.0	Snap ring 20	1	ST

3 Motor complete only for replacement HD 9 (4.624-071.0)

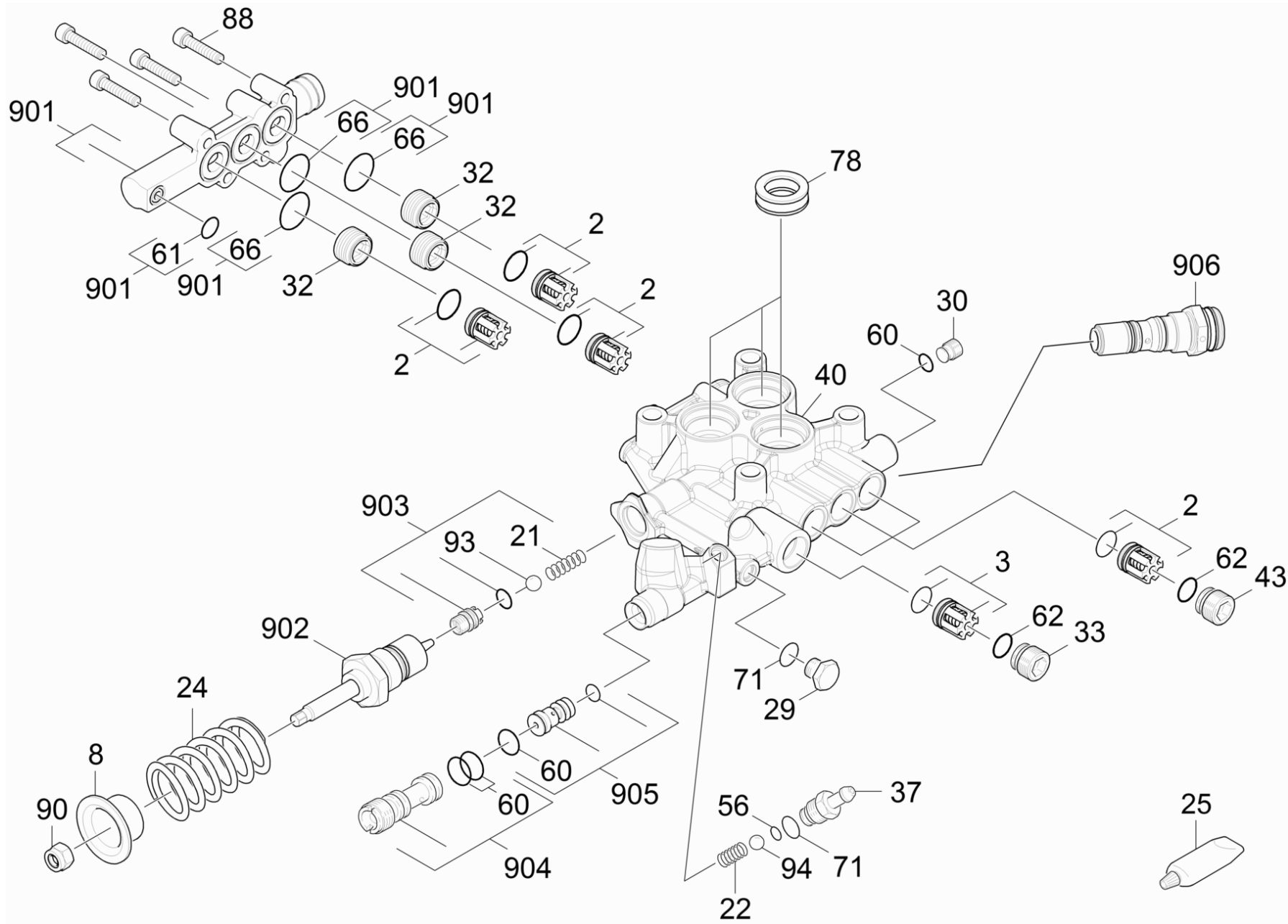
POS	Description	Quantity	Unit
1	Motor complete HD 9/18-4ST 400V	1	ST



1 Motor complete HD 9/18-4ST 400V

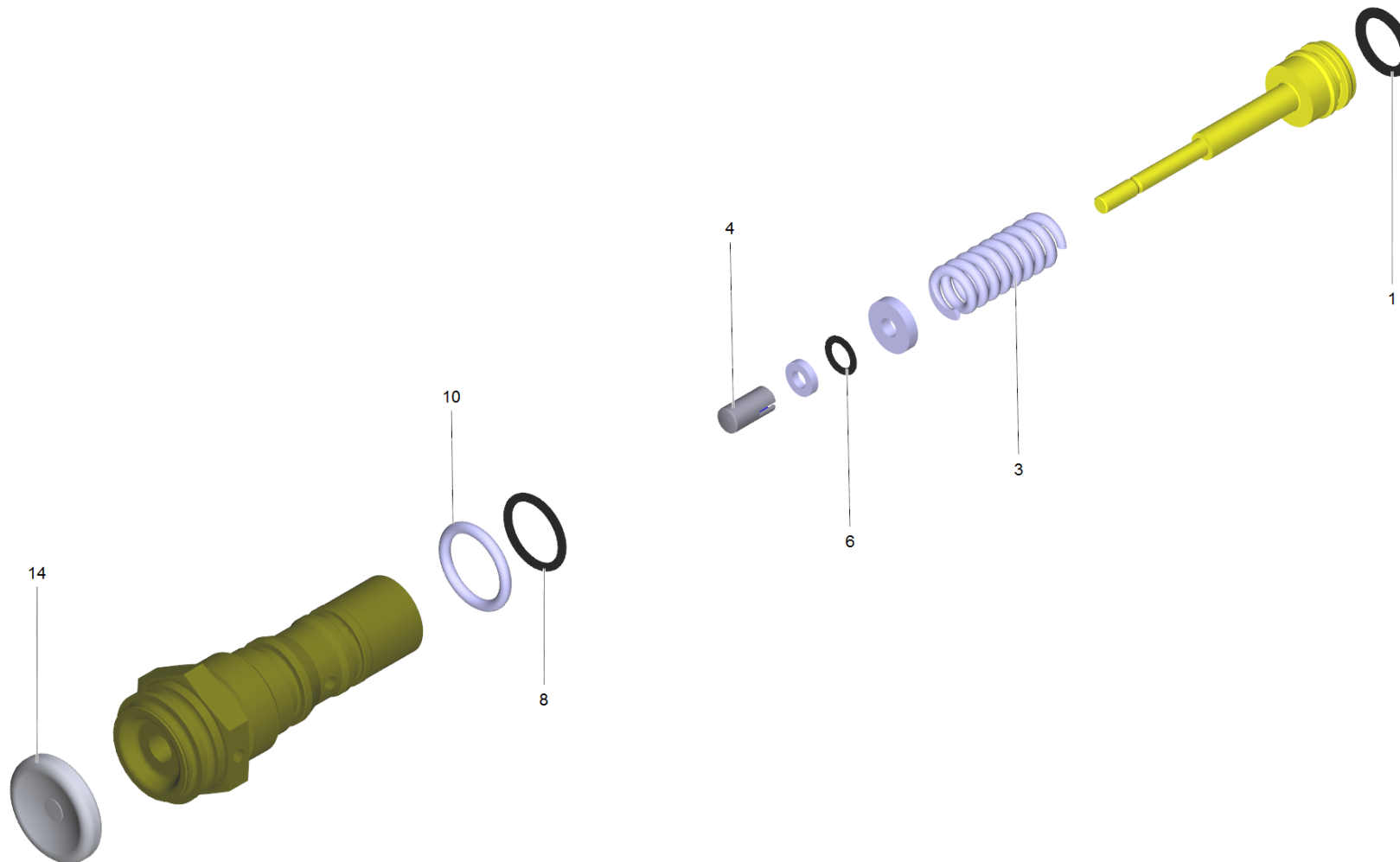
POS	Article no.	Description	Quantity	Unit
2	5.063-707.0	Bearing cover B	1	ST
4	4.120-239.0	Wobble plate -nur für Ersatz-	1	ST
7	5.411-100.0	Screw plug	2	ST
9	6.343-171.0	Tolerance ring	1	ST
10	6.401-405.0	Taper roller bearing	1	ST
11	6.401-285.0	Ball bearing 6204 2RS	1	ST
12	6.363-498.0	O-Ring seal 11,0x2,0 HNBR	2	ST
21	7.303-048.0	Screw M6x20 -St-R3R (In6Rd)	4	ST
25	7.306-041.0	Cylinder head screw M8x20 -8.8-A2E ISO	1	ST
27	7.312-159.0	Toothed lock washer A8,4-FST-PH DIN 679	1	ST
28	5.115-565.0	Washer	1	ST
30	7.318-030.0	Parallel key 6x6x25 -C45K DIN 6885-1	1	ST
32	7.367-012.0	Radial shaft seal ring A35x52x7 -FKM DIN	1	ST
35	5.600-046.0	Blower wheel	1	ST
36	7.318-079.0	Parallel key A 5x5x25-C45K DIN 6885	1	ST
37	7.312-260.0	Washer 6 -100HV-A3E ISO 7094	1	ST
38	7.306-092.0	Screw M6x20-ST- 8.8-R3R (IN6RD)	1	ST

4 Cylinder head complete -H



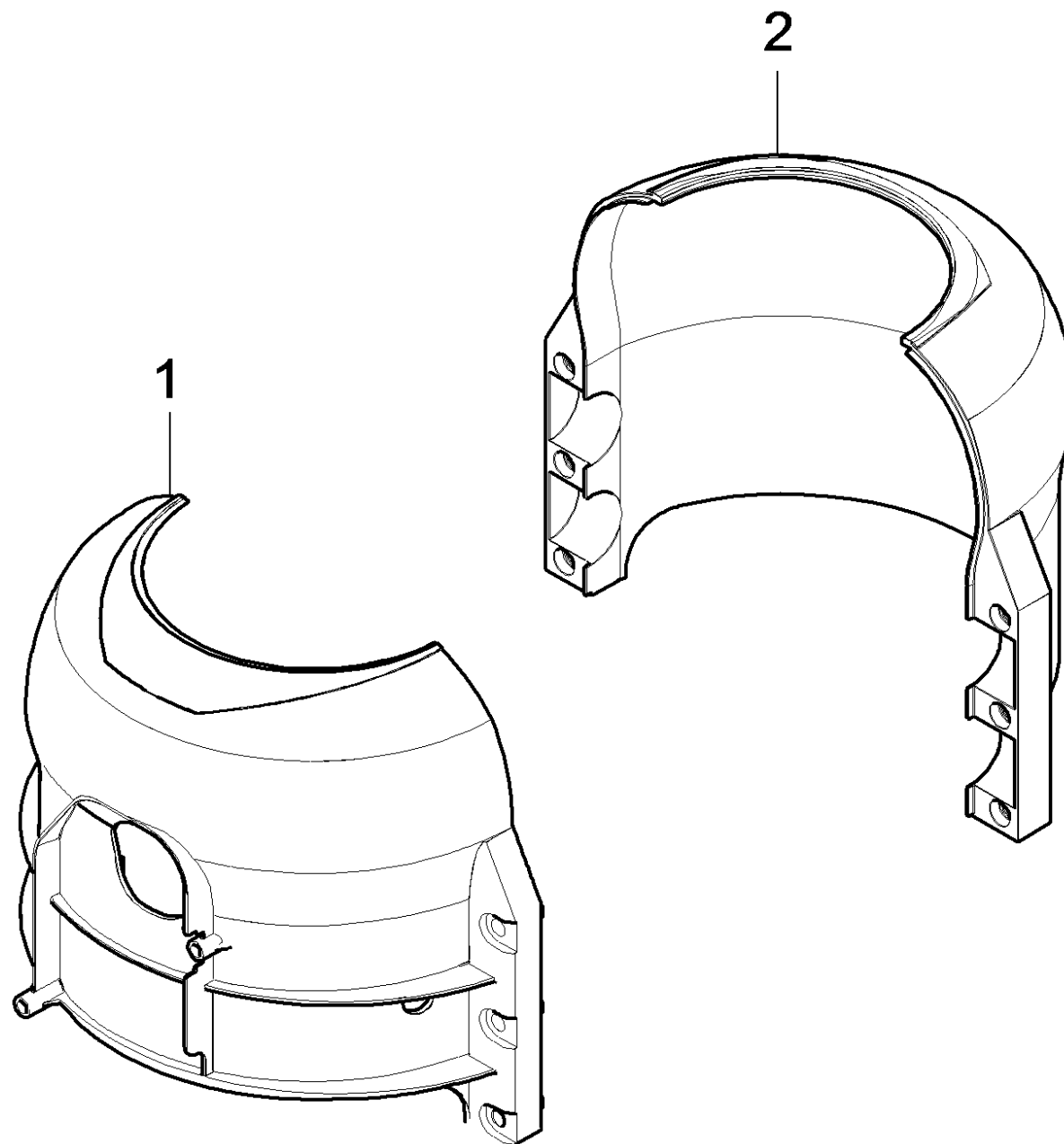
4 Cylinder head complete -H

POS	Article no.	Description	Quantity	Unit
2		Part at pump set	1	ST
3		Part at pump set	1	ST
8	5.112-757.0	Bush	1	ST
21	5.332-999.0	Helical spring	1	ST
22	5.332-258.0	Helical spring	1	ST
24	5.332-530.0	Helical spring	1	ST
25	6.288-044.0	Silicon grease 100 G	1	ST
29	5.411-070.0	Screw plug	1	ST
30	5.411-152.0	Screw plug	1	ST
32	5.583-177.0	Valve screw M20x1	3	ST
33	5.411-166.0	CLOSING SCREW	1	ST
37	5.443-370.0	Nipple	1	ST
40	4.550-977.0	Spare part set cylinder head	1	ST
43	5.583-146.3	Valve screw	3	ST
56	6.363-489.0	O-Ring seal 5,28x1,78	1	ST
60	6.363-331.0	O-Ring seal 9,0 x 1,5	4	ST
61		Part at pump set	1	ST
62		Part at pump set	1	ST
66		Part at pump set	1	ST
71		Part at pump set	1	ST
78		Part at pump set	1	ST
88	7.306-019.0	Cylinder head screw M8x35 -A4-70 ISO 47	4	ST
90	7.311-510.0	Hexagon nut M 8-8-A2E ISO 7040	1	ST
93	7.401-907.0	Sphere 3/8 G200-1.4301 DIN 5401	1	ST
94	7.401-908.0	Sphere 7 G300 -1.4301 DIN 5401	1	ST
901	4.064-024.0	Suction cover complete only for replacem	1	ST
902	2.885-227.0	Spare part set overflow valve	1	ST
903	4.481-256.0	Valve seat complete	1	ST
904	4.769-054.0	Nozzle insert kpl.	1	ST
905	2.885-230.0	Spare part set nozzle insert only for re	1	ST
906	2.885-226.0	Spare part set control piston	1	ST



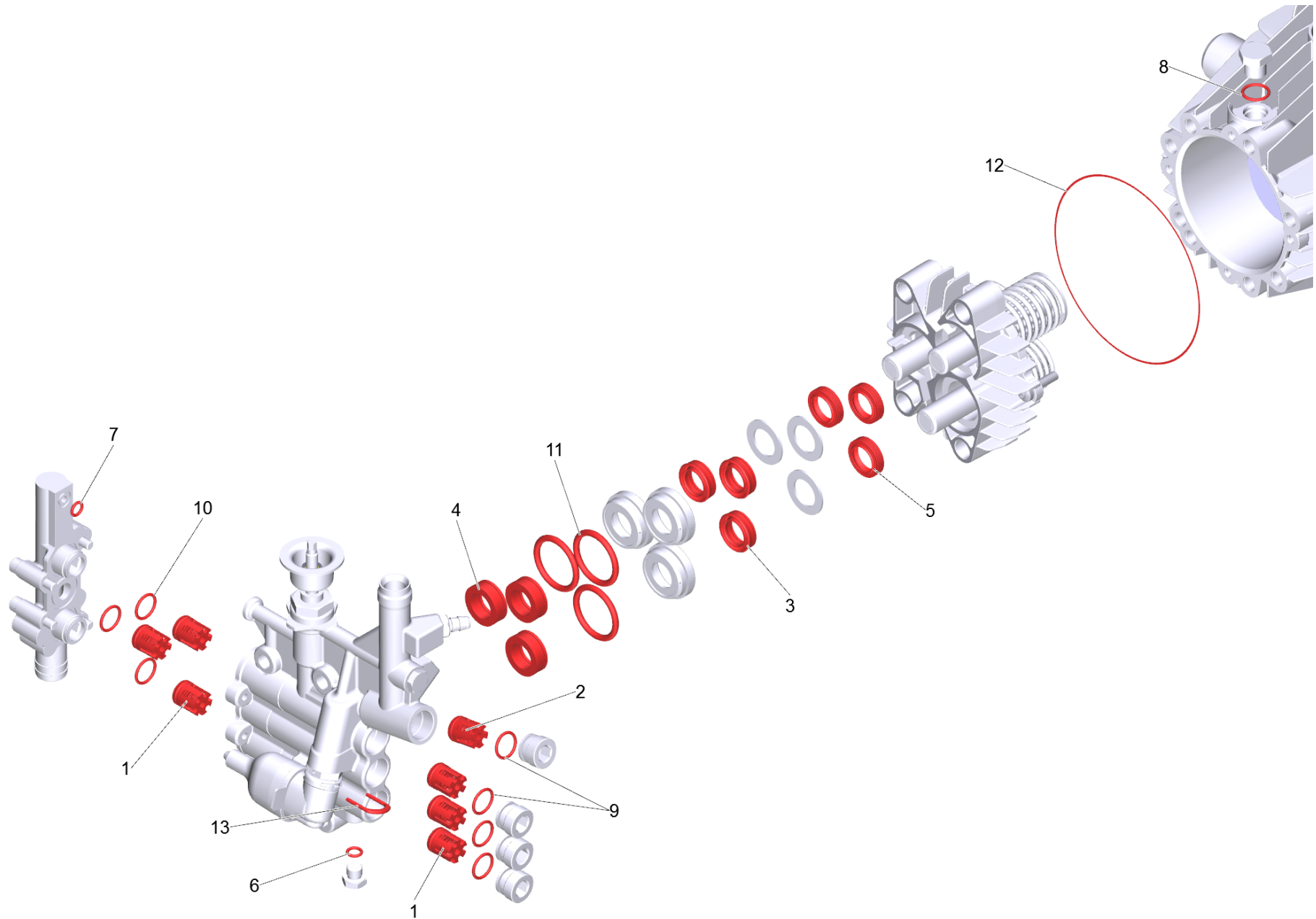
906 Spare part set control piston (2.885-226.0)

POS	Article no.	Description	Quantity	Unit
1	6.363-350.0	O-Ring seal 8.74x1.78	1	ST
3	5.332-511.0	Helical spring	1	ST
4	5.110-947.0	Sleeve	1	ST
6	6.363-330.0	O-Ring seal 2,9 x 1,78	1	ST
8	6.363-452.0	O-Ring seal 11 x 1,5	1	ST
10	6.363-519.0	O-Ring seal 12,00x 2,00	1	ST
14	5.367-030.0	Diaphragm	1	ST



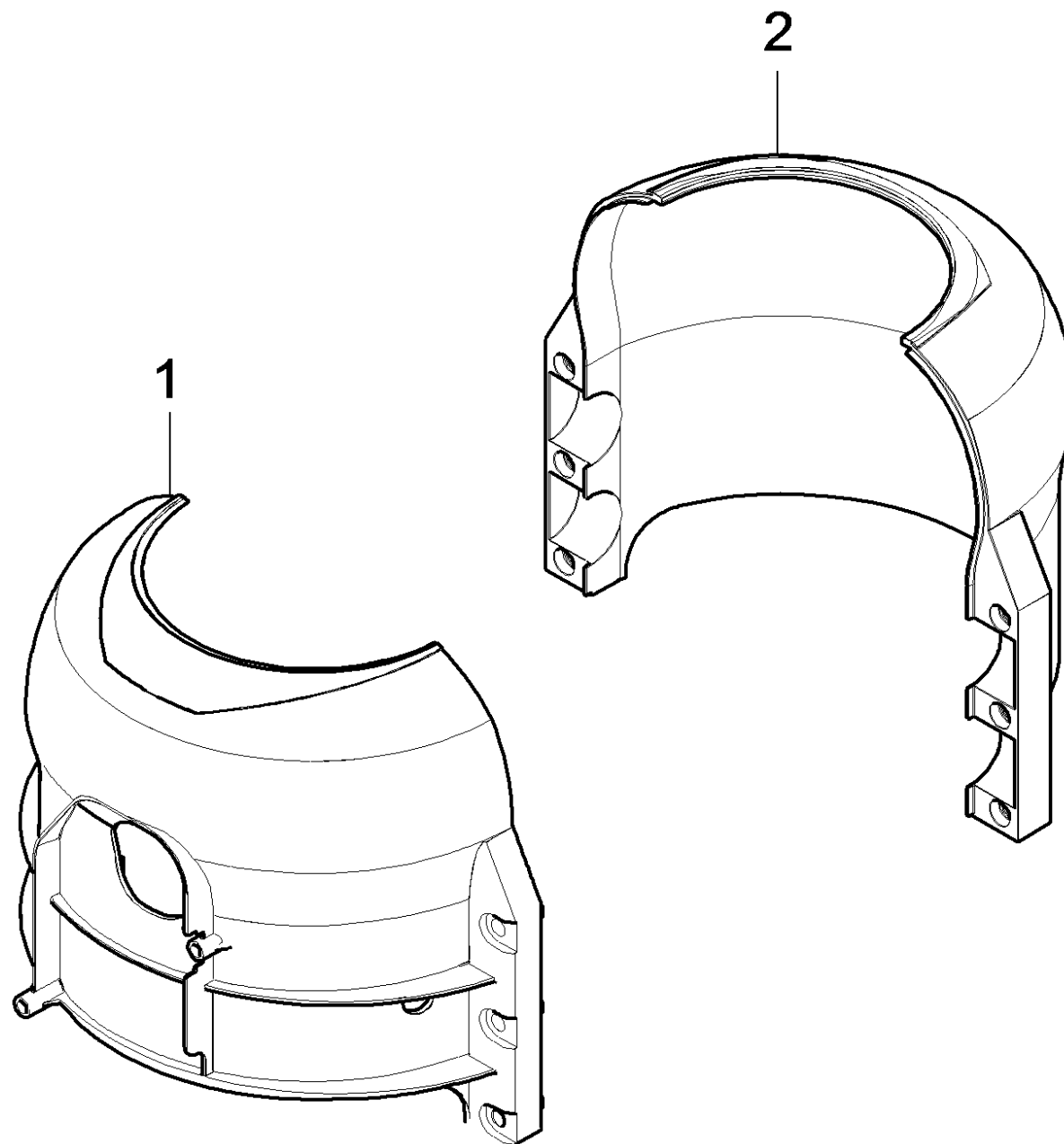
11 Spare part set air circulation (2.885-228.0)

POS	Description	Quantity	Unit
1	Air circulation front	1	ST
2	Air circulation rear	1	ST



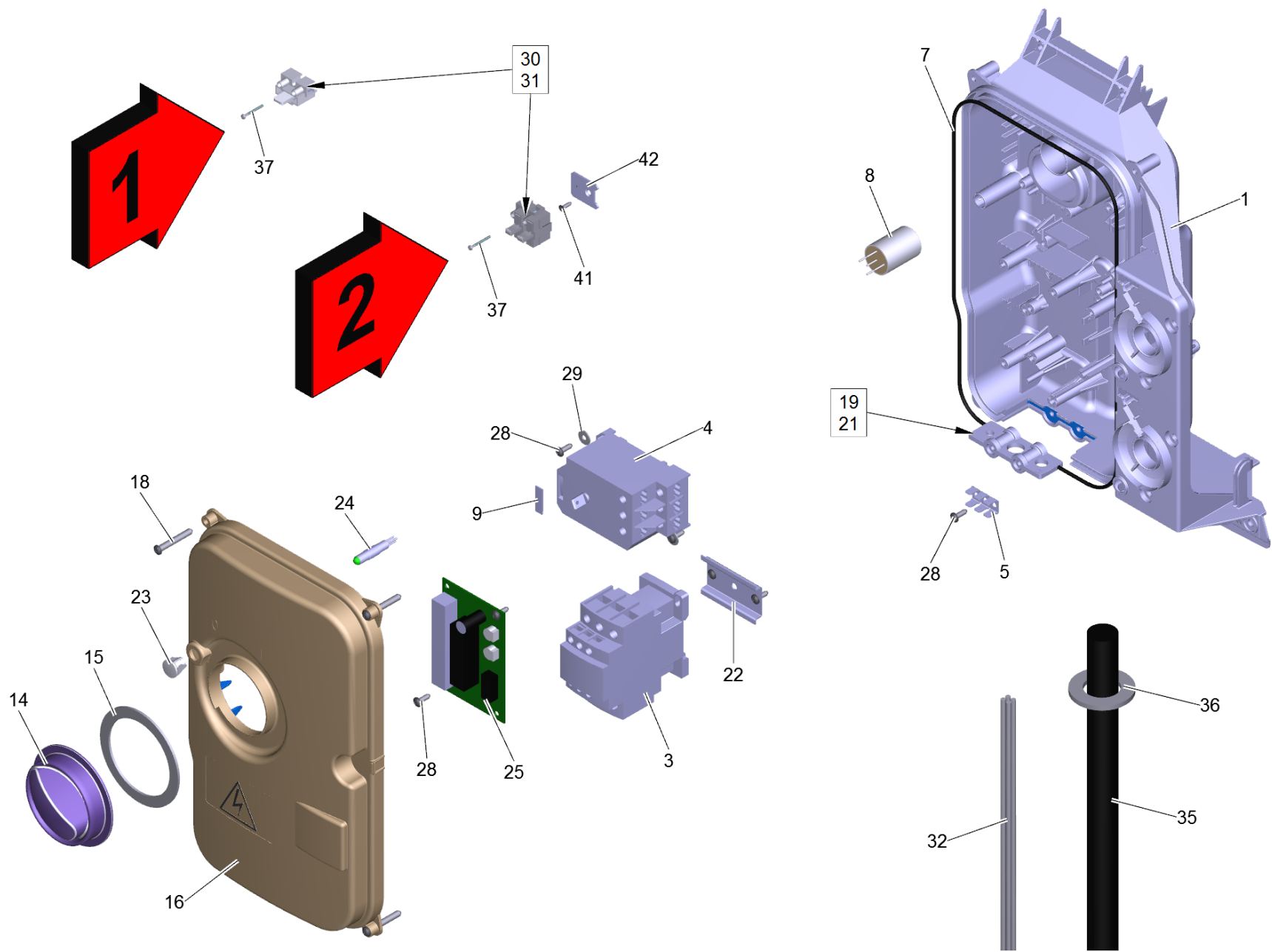
100 Pump set HD 9/18 ST-H (2.885-318.0)

POS	Article no.	Description	Quantity	Unit
1	2.885-139.0	Valve (3Stueck)	2	ST
2	4.580-734.0	Valve complete	1	ST
3	2.885-431.0	Set of gaskets ND PTFE 3x	1	ST
4	2.885-235.0	Set of gaskets high pressure W1 (3 Stuec	1	ST
5	6.365-436.0	Grooved ring 20X28X7/6	3	ST
6	6.363-496.0	O-Ring seal 7,0x2,0	3	ST
7	6.363-492.0	O-Ring seal 8,0x1,5	1	ST
8	6.363-498.0	O-Ring seal 11,0x2,0 HNBR	1	ST
9	6.363-459.0	O-Ring seal 14 x 2	4	ST
10	6.363-494.0	O-Ring seal 20,0x1,5	3	ST
11	6.363-548.0	O-Ring seal 32,0 x 2,0	3	ST
12	6.363-501.0	O-Ring seal 101,27x2,62 HNBR	1	ST
13	5.034-494.0	Retaining bracket	1	ST
14	6.288-072.0	Silicon grease	1	ST



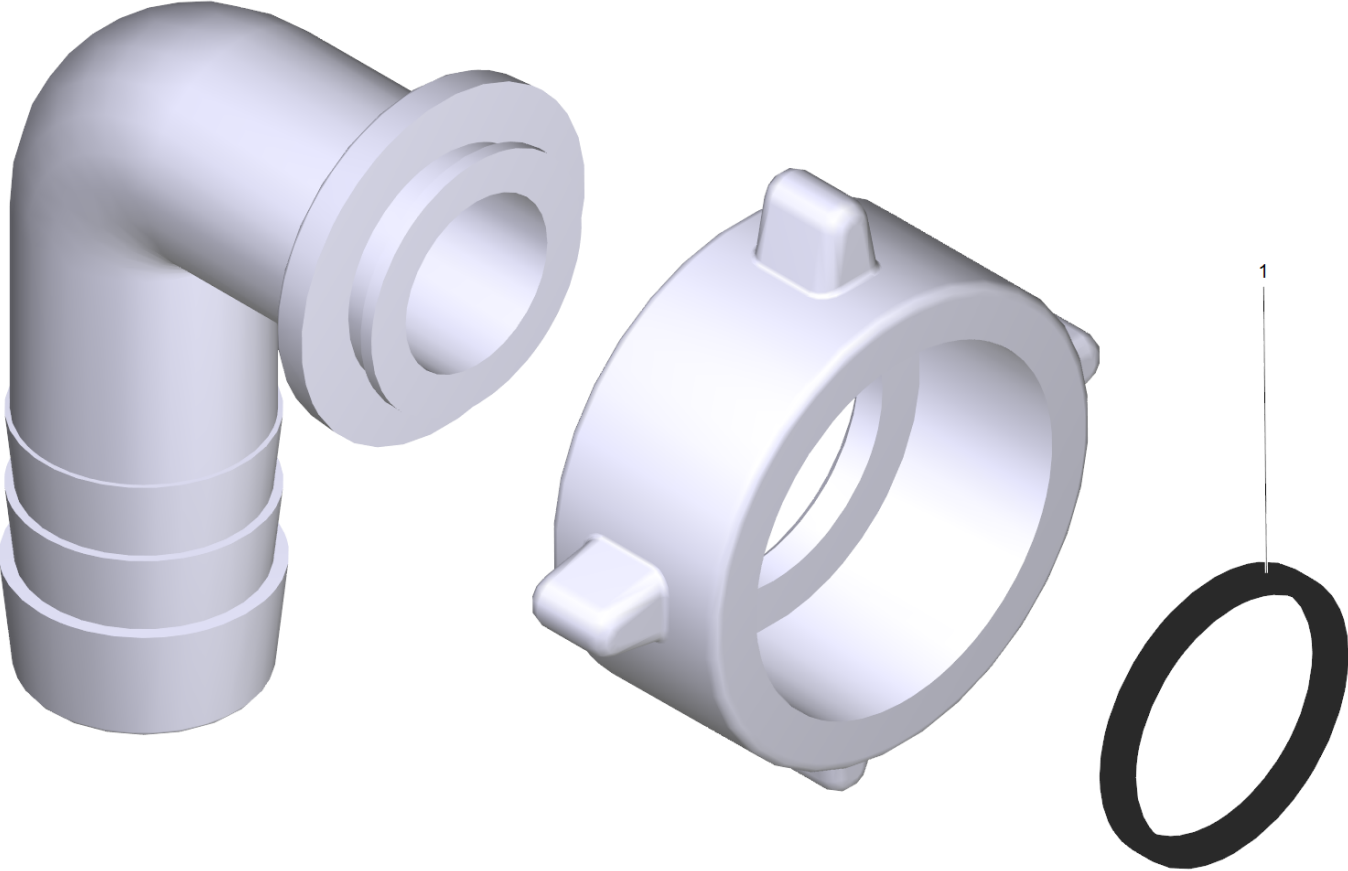
3 Spare part set air circulation (2.885-228.0)

POS	Description	Quantity	Unit
1	Air circulation front	1	ST
2	Air circulation rear	1	ST



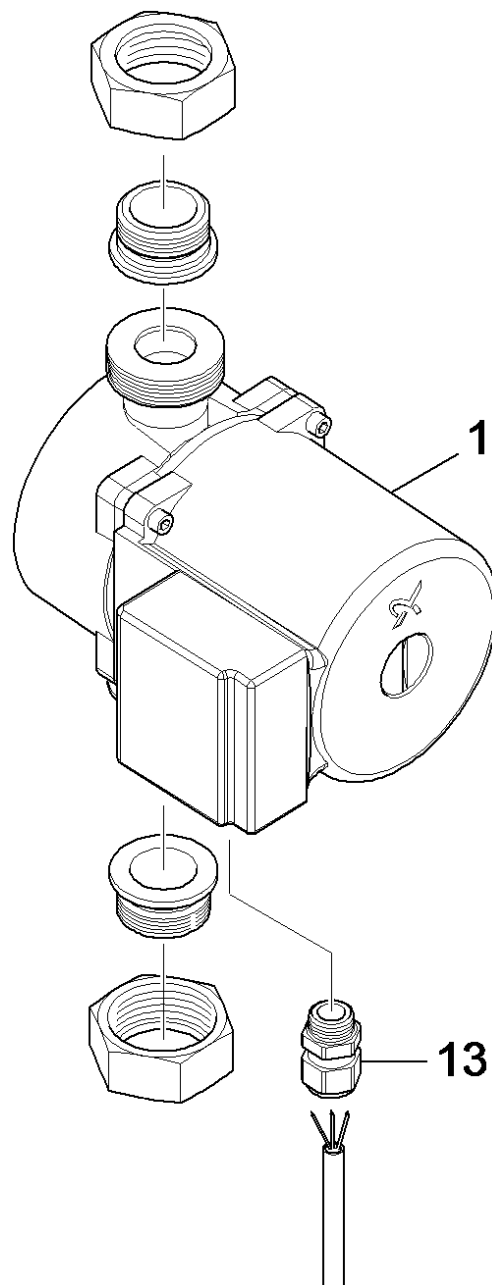
4 Electric control box HD-ST 230V

POS	Article no.	Description	Quantity	Unit	Foot note text
1	5.062-336.0	Housing electric control box	1	ST	
3	6.632-334.0	Power contactor LC1 D32 B7	1	ST	
4	6.631-428.0	Motor protecting switch -22-27A	1	ST	
5	6.641-270.0	Plug	1	ST	
7	6.273-037.0	Seal string cellular rubber 3	0,8	M	
8	6.661-302.0	Interference suppressor triple-pole	1	ST	
9	6.630-049.0	Cap	1	ST	
14	5.321-692.0	Handle	1	ST	
15	5.363-616.0	Joint ring	1	ST	
16	5.064-413.0	Cover electric control box	1	ST	
18	7.303-085.0	Screw 4x 35 -10.9-R2R (K-In6Rd)	4	ST	
19		Tensioning part 13/14/7	2	ST	
21		Sheet metal screw ST3,9x45 -St-A2K-C-H I	2	ST	
22	5.802-261.0	Mounting part	1	ST	
23	6.651-506.0	Lens housing	1	ST	
24	6.651-505.0	Pilot lamp	1	ST	
25	6.984-610.0	Circuit board control system HD-ST	1	ST	
28	7.303-106.0	Screw 4x12 -10.9-R2R (IN6RD)	7	ST	
29	7.312-281.0	Washer 4 -200HV-A2E ISO7093-1	2	ST	
30	6.643-336.0	Strip terminal	2	ST	VERSION 1
30	6.643-471.0	Strip terminal with fuse	2	ST	VERSION 2
31	6.644-070.0	Fuse insert medium time-lag G-5,0A	2	ST	
32	6.650-139.0	Cable harness HD-ST EU II	1	ST	
35	6.649-441.0	Cable without plug	1	ST	
36	7.312-098.0	Washer 27 -PA6.6-Natur ISO 7089	1	ST	
37	6.303-245.0	Cylinder head screw 3X18-ST-A2E	1	ST	VERSION 1
37	7.306-045.0	Screw M2x20 -4.8-A2K DIN 84	1	ST	VERSION 2
41	7.303-119.0	Countersunk screw 3x10 -10.9-R2R (In6Rd)	1	ST	VERSION 2
42	5.013-470.0	Plate clamp	1	ST	VERSION 2



12 Elbow screw connector R1" (6.391-867.0)

POS	Article no.	Description	Quantity	Unit
1	6.362-358.0	Seal	1	ST

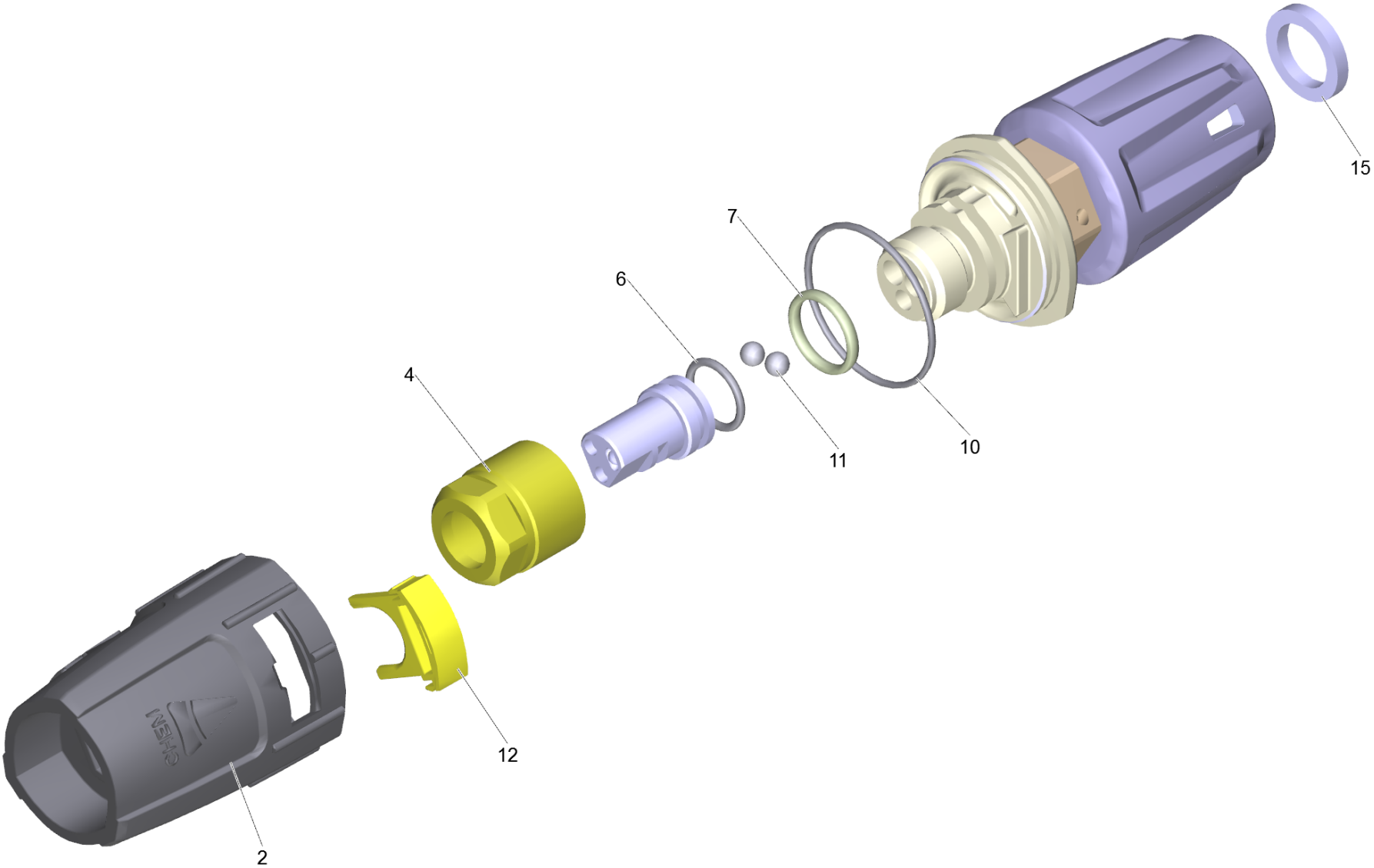


13 Circulation pump (4.540-133.0)

POS	Article no.	Description	Quantity	Unit
1	6.473-533.0	Admission pressure pump one-pole	1	ST
13	6.641-357.0	Cable gland PG11	1	ST

40 Triple jet nozzle TR 055 (4.117-039.0)

POS	Description	Quantity	Unit
1	Triple jet nozzle TR 055	1	ST



1 Triple jet nozzle TR 055

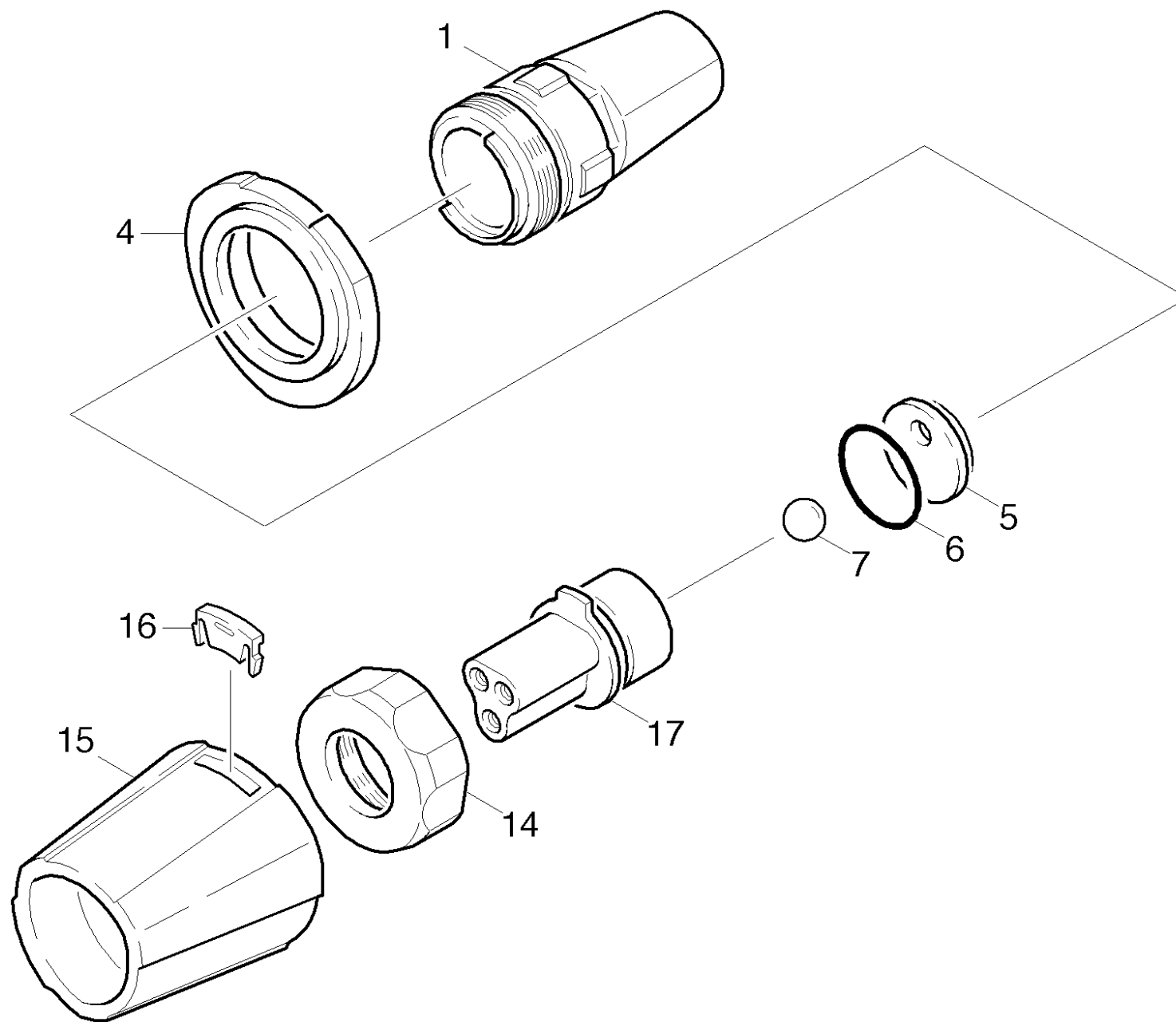
POS	Article no.	Description	Quantity	Unit
2	5.394-859.0	Protection part	1	ST
4	5.311-225.0	Nut	1	ST
6	6.362-480.0	O-Ring seal 12,42x 1,78	1	ST
7	6.362-460.0	O-Ring seal 14,0 X 2,5-NBR 70	1	ST
10	6.362-409.0	O-Ring seal 32,0 X 1,5	1	ST
11	7.401-902.0	Sphere 5 G20 -1.4034 DIN 5401	2	ST
12	5.321-884.0	Clamp	1	ST
15	6.363-696.0	Brake ring 14x20x3	1	ST

40 Triple jet nozzle 055 (4.767-066.0)

POS	Article no.	Description	Quantity	Unit
2	5.970-000.0	Spare parts list triple jet nozzle	1	ST
Item text2: 47670660				

2 Spare parts list triple jet nozzle (5.970-000.0)

POS	Description	Quantity	Unit
10	Triple jet nozzle	1	ST

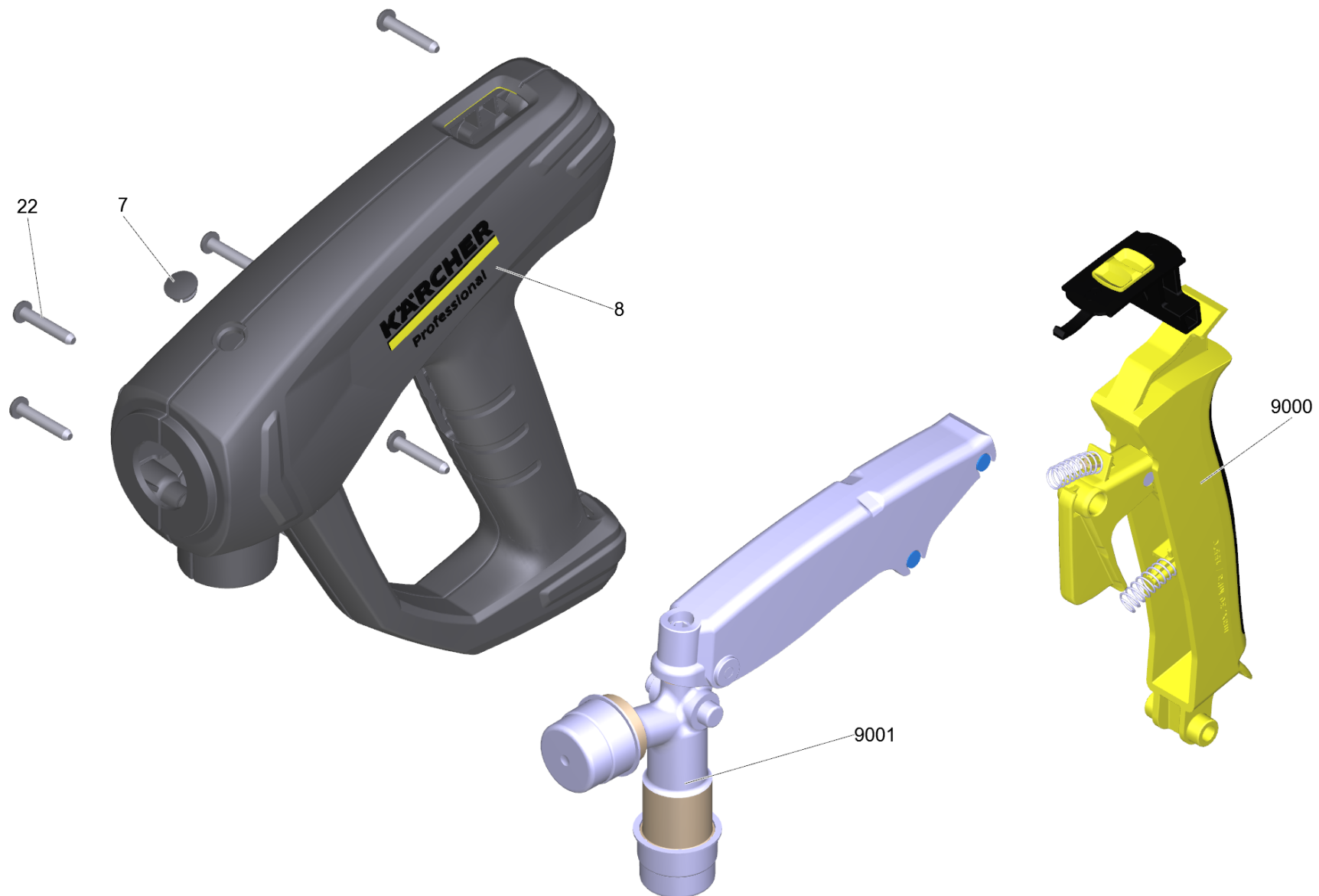


10 Triple jet nozzle

POS	Article no.	Description	Quantity	Unit	Remark
1	4.060-395.0	Housing complete only for replacement	1	ST	
4	5.394-401.0	Protection part	1	ST	
5	5.031-370.0	Moulded part	1	ST	
6	6.363-612.0	O-Ring seal 22 x 2 -NBR90	1	ST	
7	7.401-917.0	Sphere 10,0 G100-1.4301 DIN 5401	1	ST	
14	5.311-192.0	Union nut	1	ST	
15	5.394-402.0	Protection part	1	ST	
16	5.031-709.0	Moulded part	1	ST	
17	4.764-157.0	Nozzle holder 047	1	ST	4.767-064.0
17	4.764-158.0	Nozzle holder 05	1	ST	4.767-065.0
17	4.764-159.0	Nozzle holder 055	1	ST	4.767-066.0
17	4.764-161.0	Nozzle holder 08	1	ST	4.767-068.0
17	4.764-169.0	Nozzle holder 09	1	ST	4.767-075.0
17	4.764-173.0	Nozzle holder 0100	1	ST	4.767-106.0
17	7.777-999.0	Stockpiling discontinued	1	ST	4.767-067.0/-069.0

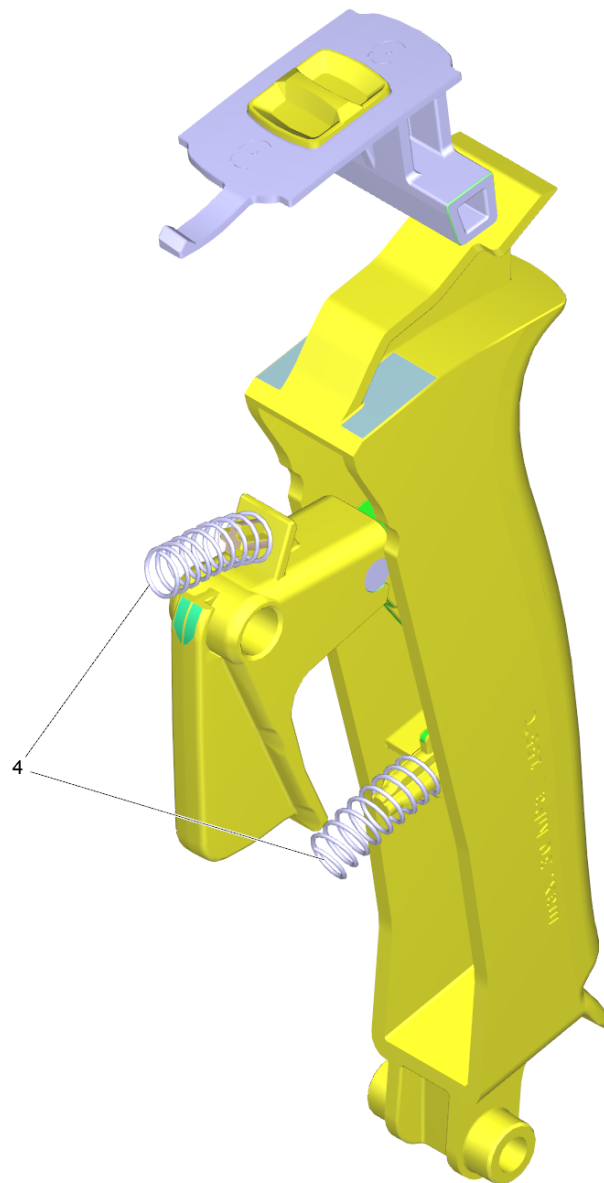
17 Nozzle holder 055 (4.764-159.0)

POS	Article no.	Description	Quantity	Unit
1	5.031-597.0	Rectifier	2	ST
	Item text2: 47641590			
7	6.362-661.0	O-Ring seal 5,0 X 1,0-NBR 80	3	ST
	Item text2: 47641590			
8	6.363-612.0	O-Ring seal 22 x 2 -NBR90	1	ST
	Item text2: 47641590			



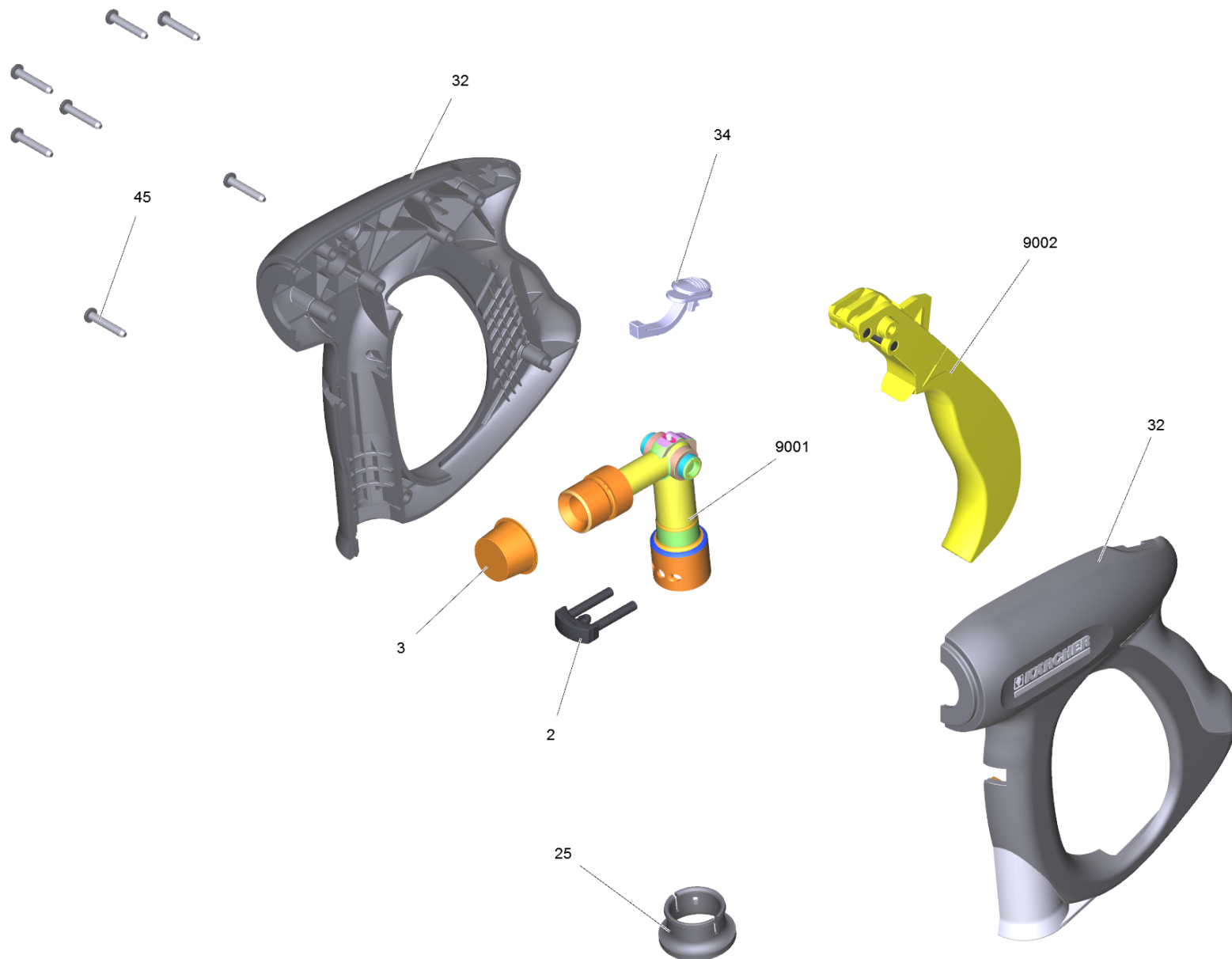
41 EASY!Force Advanced (4.118-005.0)

POS	Article no.	Description	Quantity	Unit
7	5.132-001.0	Plug	1	ST
8	5.321-136.3	Handhold few EH 155 only for replacement	1	ST
22	7.303-096.0	Screw 4x22 -ST-10.9-R2R (IN6RD)	7	ST
9000	2.885-483.0	Spare part set lever	1	ST
9001	4.427-014.0	Manifold TR EH 155 nur fuer Ersatz	1	ST



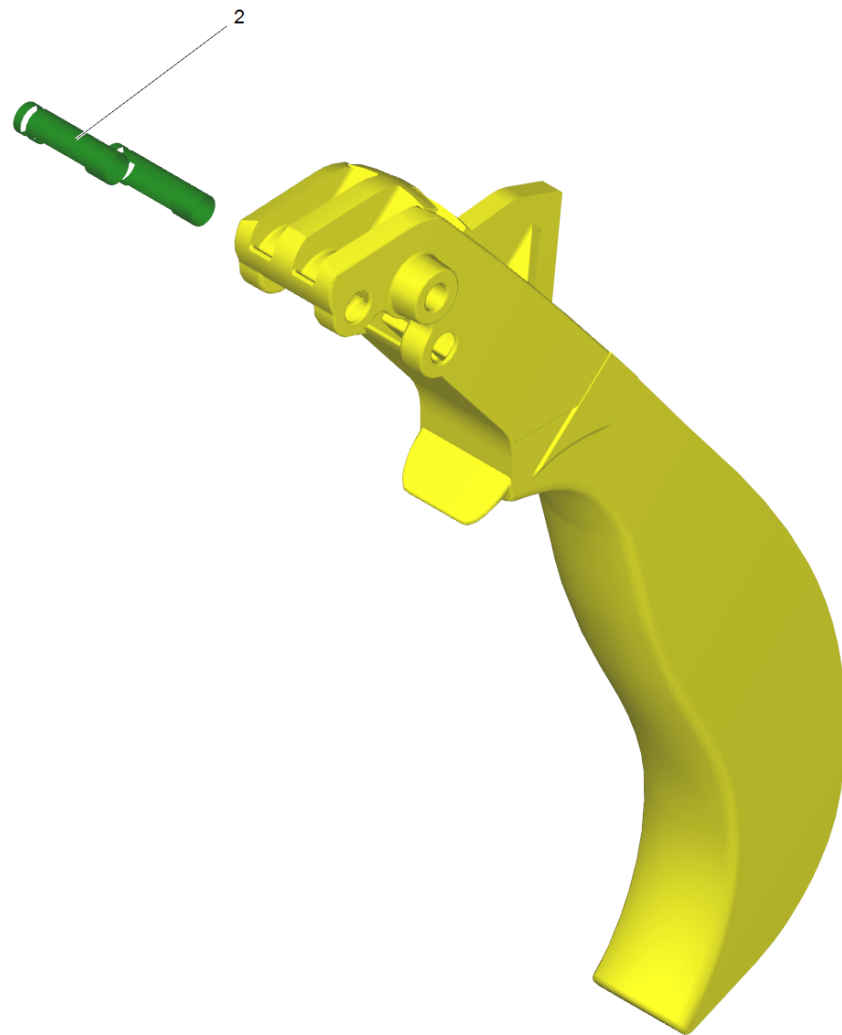
9000 Spare part set lever (2.885-483.0)

POS	Article no.	Description	Quantity	Unit
4	5.332-178.0	Helical spring	2	ST



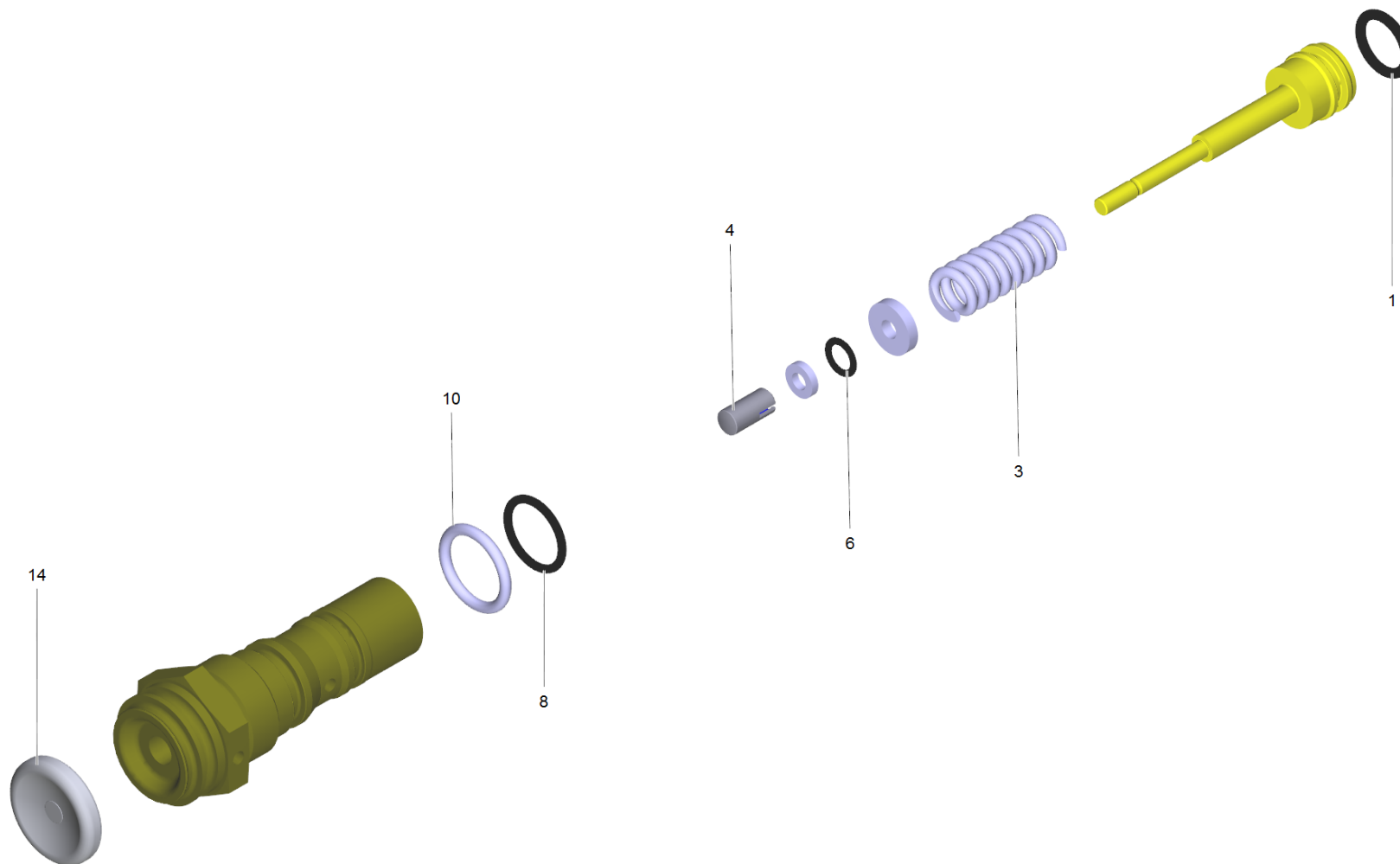
41 HAND TRIGGER GUN EASY PRESS (4.775-463.0)

POS	Article no.	Description	Quantity	Unit
2	4.037-013.0	Hook	1	ST
3	6.368-012.0	Protecting cap 22X1,5	1	ST
4	6.869-075.0	Metal bonding agent 1,5 ml	1	ST
cart_info_txt: This material is not available due to hazardous good regulation. Please procure this or a similar material from a local supplier of your choice.				
25	5.110-596.0	Sleeve	1	ST
32	5.321-669.3	Handhold few	1	ST
34	5.481-331.0	Slider	1	ST
45	7.303-096.0	Screw 4x22 -ST-10.9-R2R (IN6RD)	7	ST
1041	6.288-044.0	Silicon grease 100 G	1	ST
9001	4.427-215.0	Manifold complete only for replacement	1	ST
9002	4.481-209.0	Lever complete	1	ST



9002 Lever complete (4.481-209.0)

POS	Article no.	Description	Quantity	Unit
2	5.314-119.0	Pin	2	ST

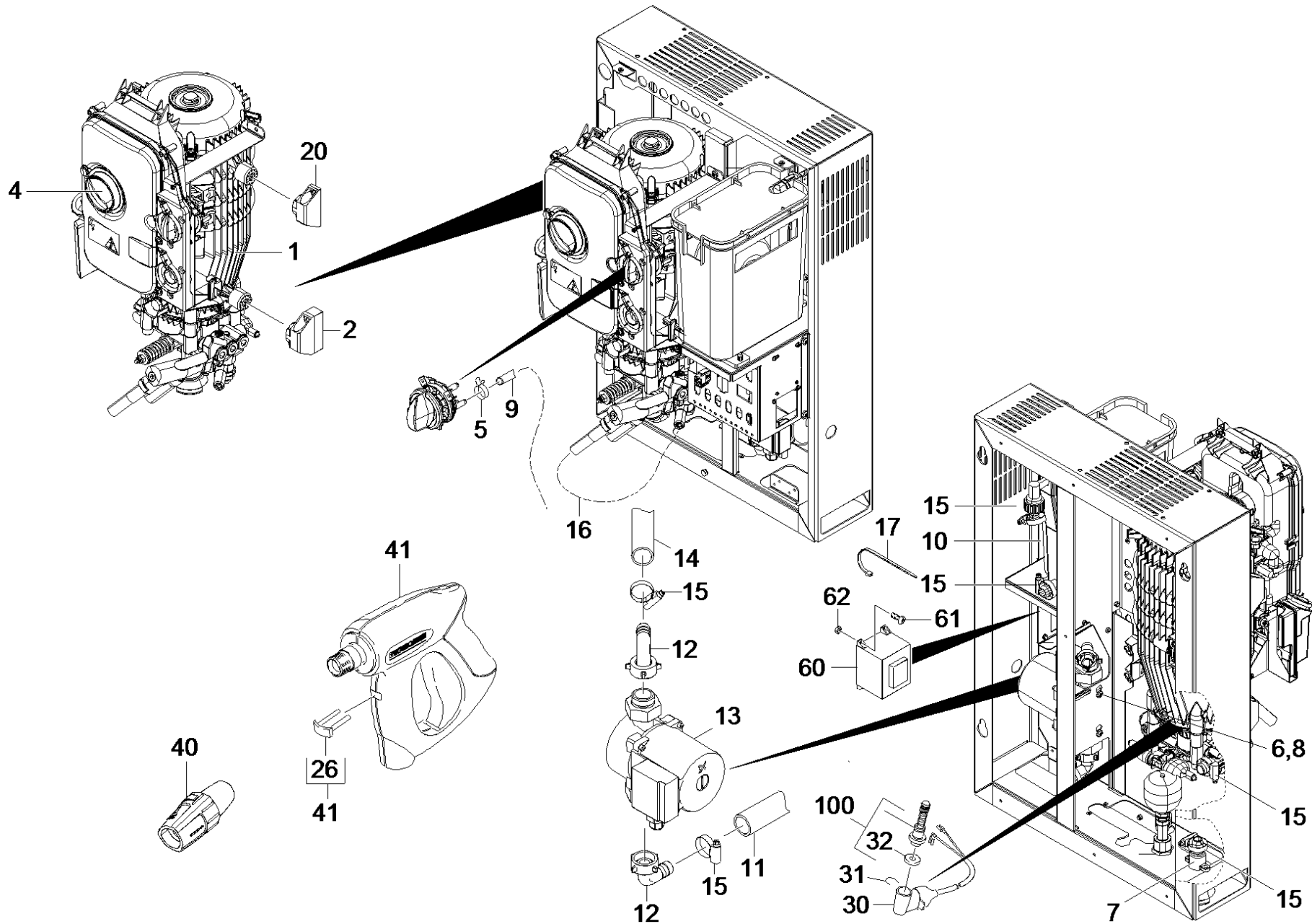


100 Spare part set control piston (2.885-226.0)

POS	Article no.	Description	Quantity	Unit
1	6.363-350.0	O-Ring seal 8.74x1.78	1	ST
3	5.332-511.0	Helical spring	1	ST
4	5.110-947.0	Sleeve	1	ST
6	6.363-330.0	O-Ring seal 2,9 x 1,78	1	ST
8	6.363-452.0	O-Ring seal 11 x 1,5	1	ST
10	6.363-519.0	O-Ring seal 12,00x 2,00	1	ST
14	5.367-030.0	Diaphragm	1	ST

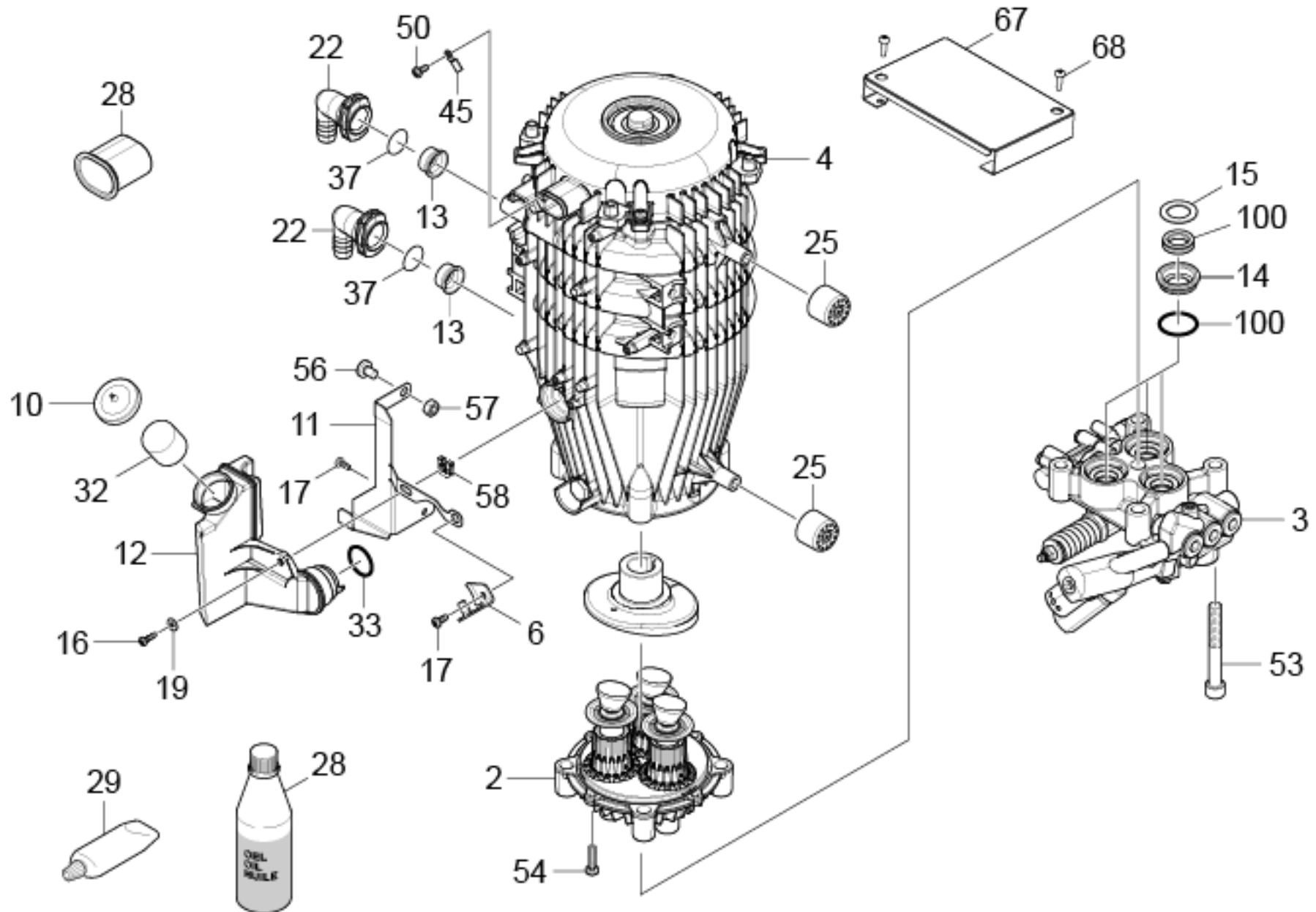
22 Pump set complete HD 13/12-4 ST-H 230V

POS	Article no.	Description	Quantity	Unit
1000	2.532-009.3	Spare parts list pump set complete HD 13	1	ST



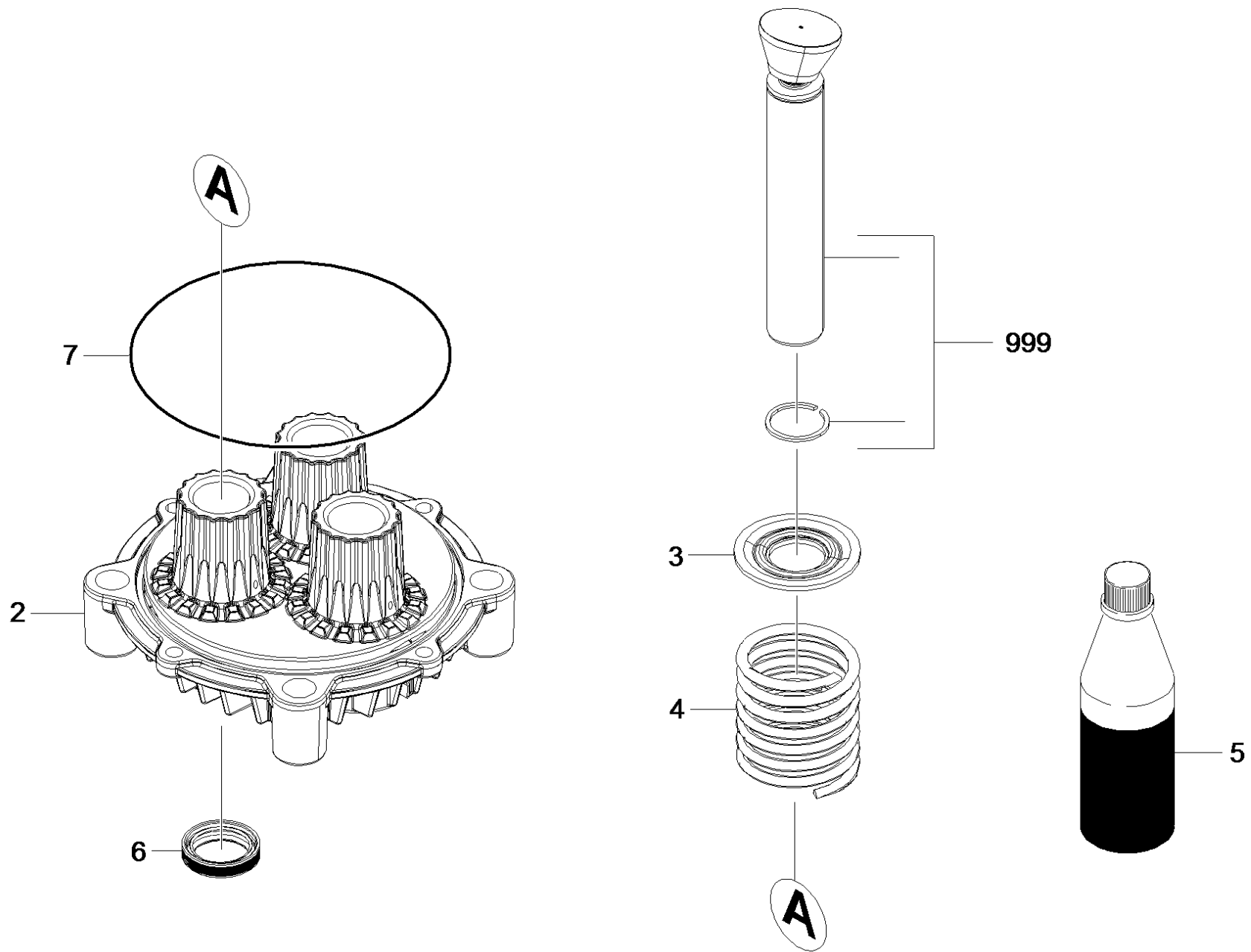
1000 Spare parts list pump set complete HD 13 (2.532-009.3)

POS	Article no.	Description	Quantity	Unit	Remark
1		Pump set HD 13/12-4 ST-H 230V	1	ST	
2	5.044-998.0	Holder	2	ST	
4		Electric control box HD-ST 230V	1	ST	
5	6.390-133.0	Hose clip	2	ST	
6	7.306-190.0	Screw M6x8 -A2-70 (In6Rd)	2	ST	
7	5.427-432.0	Manifold	1	ST	
8	7.312-026.0	Washer 6 -A2 ISO 7089	2	ST	
9	6.388-247.0	Hose DN8 -PVC	0,44	M	
10	6.388-719.0	Hose DN17	0,57	M	
11	5.443-628.0	Hose	1	ST	
12	6.391-867.0	Elbow screw connector R1"	2	ST	
13	4.540-133.0	Circulation pump	1	ST	
14	6.388-293.0	Elbow hose	1	ST	
15	7.373-022.0	Hose clip A-16-27x9 -W2-2 DIN3017	6	ST	
16	6.391-990.0	Hose assembly DN8 40MPa 0,45m	1	ST	
17	6.641-465.0	Cable tape	1	ST	
20	5.044-891.0	Holder	2	ST	
26	4.037-013.0	Hook	1	ST	
30	4.744-242.0	Switch kpl. -nur für Ersatz-	1	ST	
31	5.034-494.0	Retaining bracket	1	ST	
32	5.367-030.0	Diaphragm	1	ST	
40	4.117-041.0	Triple jet nozzle TR 098	1	ST	1.524-950.2
40	4.767-205.0	Triple jet nozzle only for replacement 0	1	ST	1.524-500.2
41	4.118-005.0	EASY!Force Advanced	1	ST	1.524-950.2
41	4.775-463.0	HAND TRIGGER GUN EASY PRESS	1	ST	1.524-500.2
60	6.622-336.0	Control transformer 96VA - E178/40,5 230	1	ST	
61	7.306-058.0	Screw M 4X 12- 8.8-R2R K-IN6RD	4	ST	
62	7.311-569.0	Square nut M4 -04-A2E DIN 562	4	ST	
100	2.885-226.0	Spare part set control piston	1	ST	



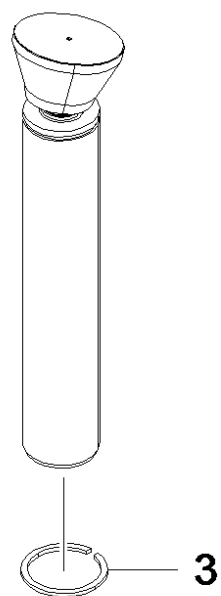
1 Pump set HD 13/12-4 ST-H 230V

POS	Article no.	Description	Quantity	Unit
2		Thrust guidance	1	ST
3		Cylinder head complete -H	1	ST
4	4.624-223.0	Motor complete only for replacement	1	ST
6	5.011-428.0	Plate bracket	1	ST
10	5.064-457.0	Cover plate qusty grey oil	1	ST
11	5.011-622.0	Plate holder oil tank	1	ST
12	5.070-831.0	Tank oil	1	ST
13	5.110-341.0	Sleeve	2	ST
14	5.112-870.0	Bush	3	ST
15	5.115-520.0	Washer	3	ST
16	7.306-208.0	Screw M 4x16-A2-70 (In6RD)	1	ST
17	7.303-038.0	Screw M5x12 -St-P2R (In6Rd)	2	ST
18	5.365-302.0	Profile gasket	1	ST
19	7.312-293.0	Washer 4-A2 ISO 7093-1	1	ST
22	5.427-415.0	Manifold	2	ST
25	5.767-005.0	Rubber buffer	4	ST
28	6.288-016.0	Gear oil 1L	1	ST
29	6.288-044.0	Silicon grease 100 G	1	ST
32	5.132-187.0	Plug	1	ST
33	6.363-499.0	O-Ring seal 28,0x3,0	1	ST
37	6.363-455.0	O-Ring seal 17,5 x 3,5	2	ST
45	4.820-578.0	Cable green/yellow 1,5mm ² x450mm	1	ST
50	7.303-031.0	Screw M4x10 -St-P2R (In6Rd)	1	ST
53	7.306-430.0	Cylinder head screw M12x90- 10.9-A3K ISO 4762	4	ST
54	7.306-094.0	Screw M6x25 -8.8-R3R (In6Rd)	2	ST
56	7.311-068.0	Hexagon nut M 8-A2-70 ISO 4032	1	ST
57	7.306-223.0	Screw M8x12 -A2-70 (In6Rd)	1	ST
58	6.310-176.0	Putting nut M4	1	ST
67	5.010-082.0	Cover plate HD 10/25 Cage	1	ST
68	7.303-048.0	Screw M6x20 -St-R3R (In6Rd)	2	ST
100	2.885-319.0	Pump set HD 13/12-4 ST-H	1	ST



2 Thrust guidance

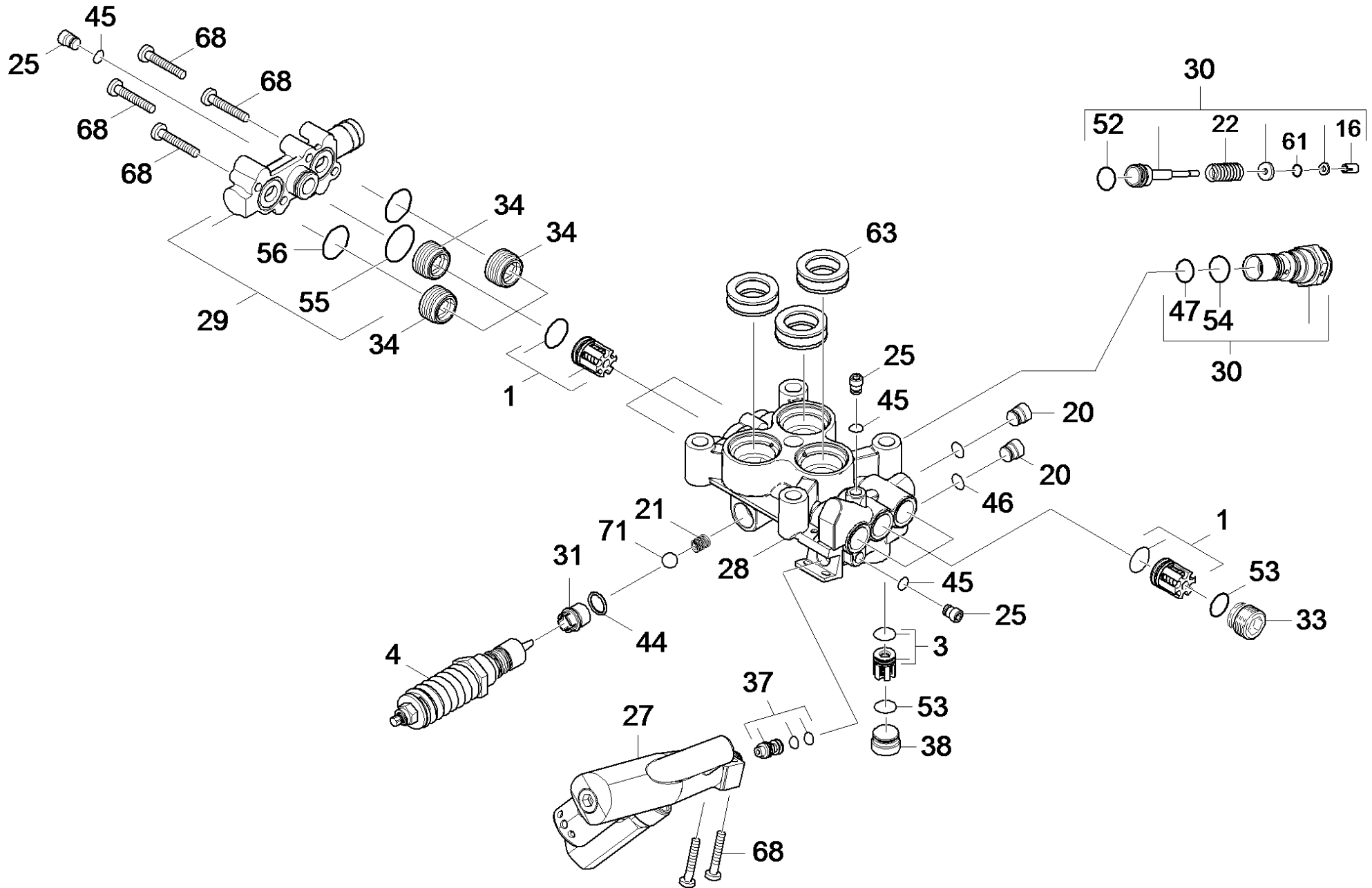
POS	Article no.	Description	Quantity	Unit
2	5.060-954.3	Thrust guidance D22	1	ST
3	5.116-065.0	Washer D22	3	ST
4	5.332-187.0	Helical spring	3	ST
5	6.288-016.0	Gear oil 1L	1	ST
6		Part at pump set	1	ST
7		Part at pump set	1	ST
999	4.553-280.0	Piston complete only for replacement	3	ST



999 Piston complete only for replacement (4.553-280.0)

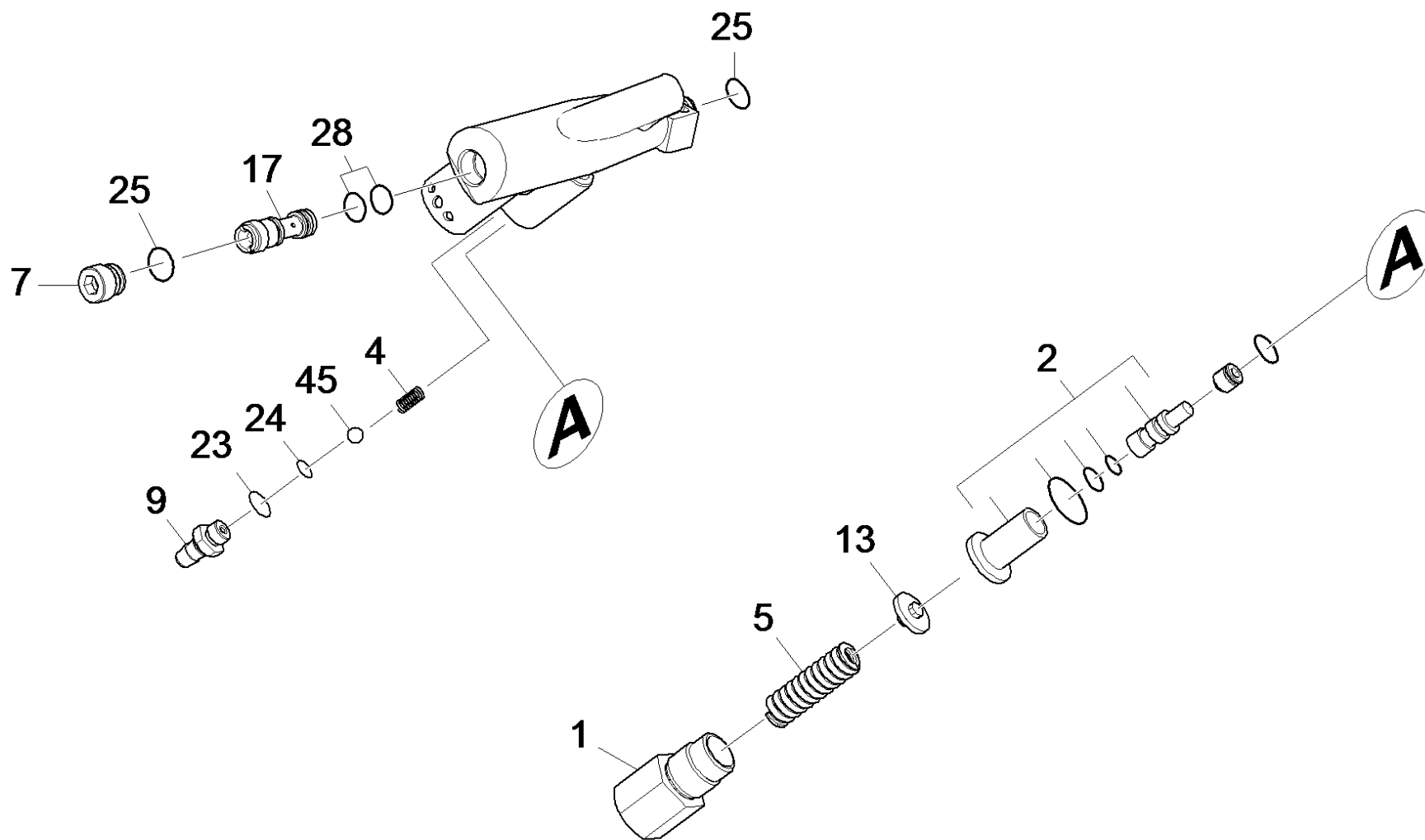
POS	Article no.	Description	Quantity	Unit
3	6.343-142.0	Snap ring WR 22	1	ST

3 Cylinder head complete -H



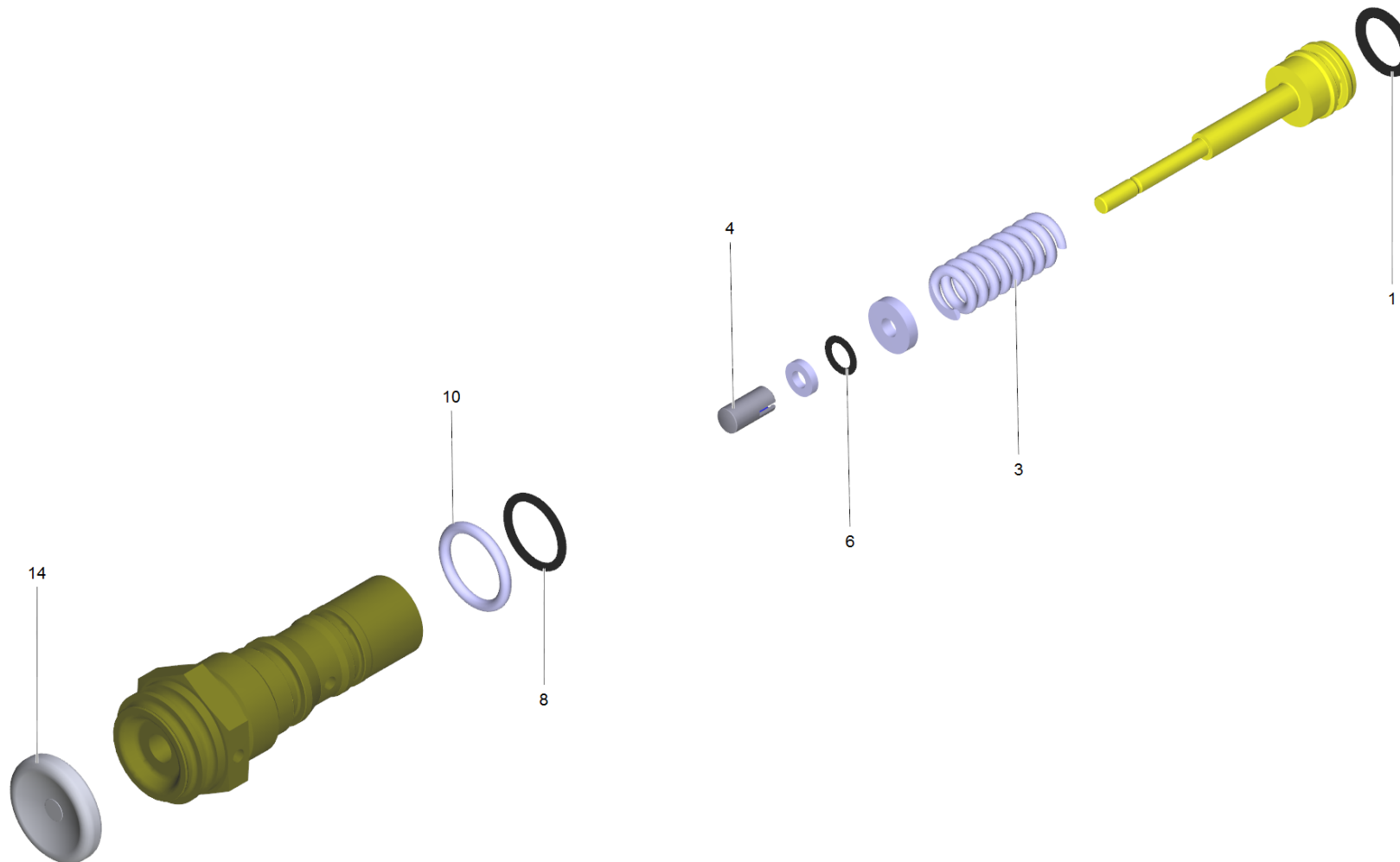
3 Cylinder head complete -H

POS	Article no.	Description	Quantity	Unit
1		Part at pump set	1	ST
3		Part at pump set	1	ST
4	2.885-238.0	Spare part set overflow valve	1	ST
16	5.110-947.0	Sleeve	1	ST
20	5.411-152.0	Screw plug	3	ST
21	5.332-999.0	Helical spring	1	ST
22	5.332-511.0	Helical spring	1	ST
25	5.411-161.0	CLOSING SCREW M10X1	2	ST
27	4.591-063.0	Overflow valve complete	1	ST
28	5.550-367.0	Cylinder head HD 13/12-4 ST	1	ST
29	2.885-233.0	Manifold low-pressure intake	1	ST
30	2.885-226.0	Spare part set control piston	1	ST
31	5.581-270.0	Valve seat	1	ST
33	5.583-146.3	Valve screw	3	ST
34	5.583-180.0	Valve screw M20x1	3	ST
37	2.885-231.0	Spare part set nozzle insert only for re	1	ST
38	5.411-166.0	CLOSING SCREW	1	ST
44	6.363-485.0	O-Ring seal 10x 2 mm HNBR Shore 80	1	ST
45		Part at pump set	1	ST
46		Part at pump set	1	ST
47	6.363-452.0	O-Ring seal 11 x 1,5	1	ST
52	6.363-350.0	O-Ring seal 8.74x1.78	1	ST
53		Part at pump set	1	ST
54	6.363-519.0	O-Ring seal 12,00x 2,00	1	ST
55		Part at pump set	1	ST
56		Part at pump set	1	ST
61	6.363-330.0	O-Ring seal 2,9 x 1,78	1	ST
63		Part at pump set	1	ST
68	7.306-118.0	Screw M 6x35 -8.8-R3R (In6Rd)	6	ST
71	7.401-910.0	Sphere 3/8 G80-1.4034 DIN 5401	1	ST



27 Overflow valve complete (4.591-063.0)

POS	Article no.	Description	Quantity	Unit
1	5.304-114.0	Hexagonal head screw bush	1	ST
2	2.885-232.0	Wearing parts set	1	ST
4	5.332-258.0	Helical spring	1	ST
5	5.332-444.0	Helical spring	1	ST
7	5.411-168.0	Valve screw M16x1	1	ST
9	5.443-370.0	Nipple	1	ST
13	5.584-169.0	Valve pin	1	ST
17	5.769-227.0	Nozzle insert	1	ST
23	6.363-496.0	O-Ring seal 7,0x2,0	1	ST
24	6.363-489.0	O-Ring seal 5,28x1,78	1	ST
25	6.363-485.0	O-Ring seal 10x 2 mm HNBR Shore 80	2	ST
28	6.363-331.0	O-Ring seal 9,0 x 1,5	2	ST
45	7.401-908.0	Sphere 7 G300 -1.4301 DIN 5401	1	ST

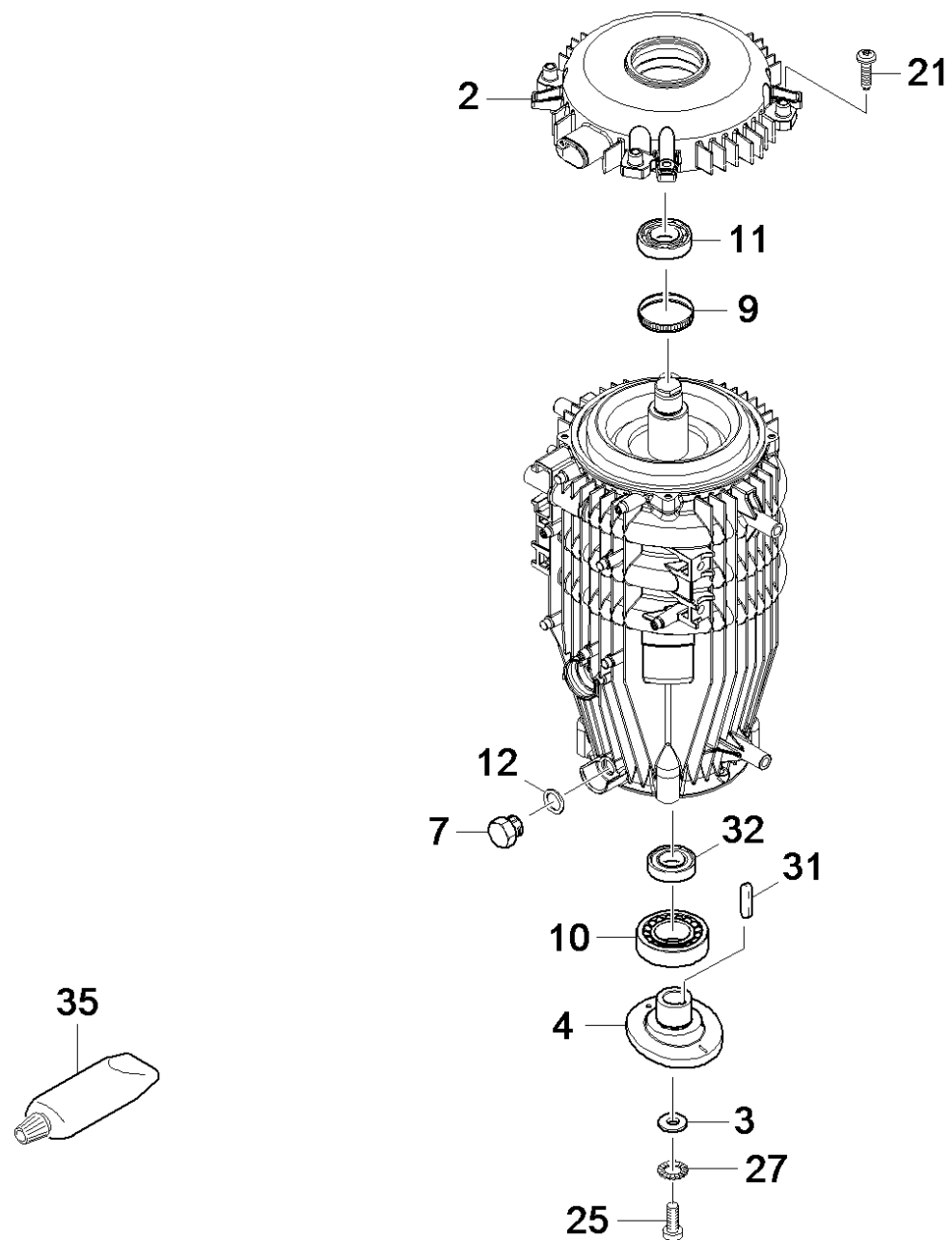


30 Spare part set control piston (2.885-226.0)

POS	Article no.	Description	Quantity	Unit
1	6.363-350.0	O-Ring seal 8.74x1.78	1	ST
3	5.332-511.0	Helical spring	1	ST
4	5.110-947.0	Sleeve	1	ST
6	6.363-330.0	O-Ring seal 2,9 x 1,78	1	ST
8	6.363-452.0	O-Ring seal 11 x 1,5	1	ST
10	6.363-519.0	O-Ring seal 12,00x 2,00	1	ST
14	5.367-030.0	Diaphragm	1	ST

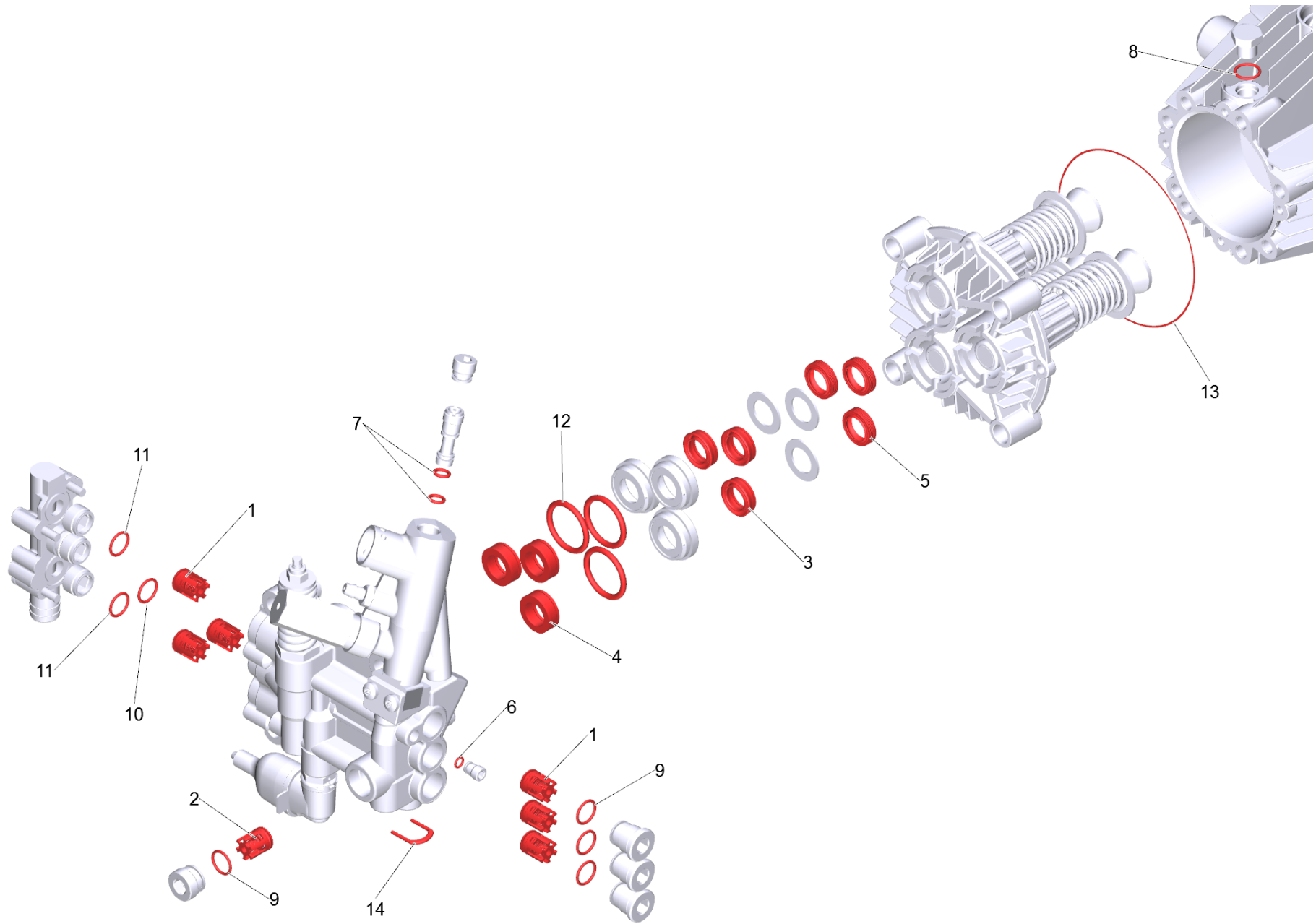
4 Motor complete only for replacement (4.624-223.0)

POS	Description	Quantity	Unit
1	Motor complete HD 13/12-4ST 230V	1	ST



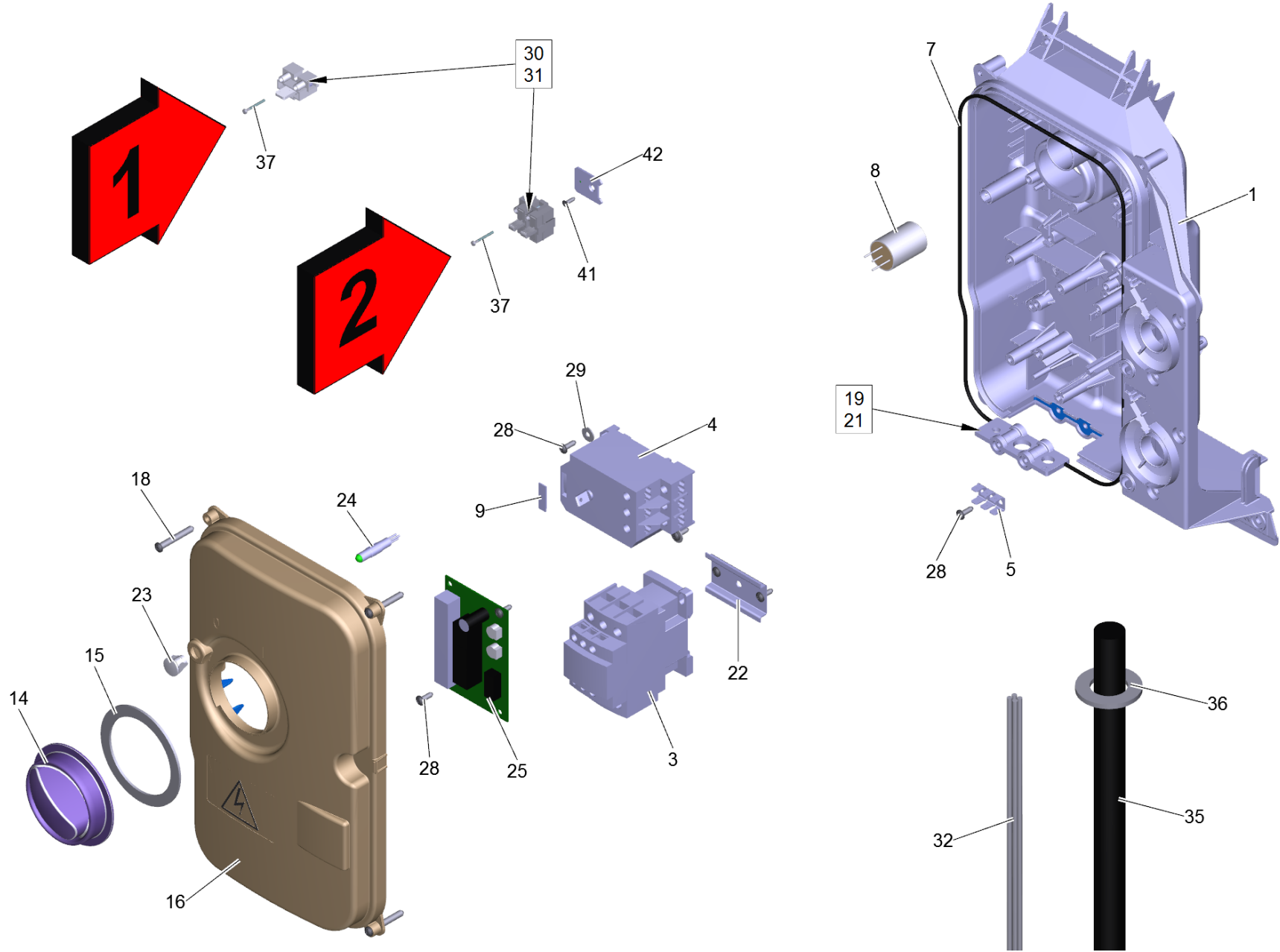
1 Motor complete HD 13/12-4ST 230V

POS	Article no.	Description	Quantity	Unit
2	5.064-006.0	Bearing cover B	1	ST
3	5.115-565.0	Washer	1	ST
4	5.120-353.3	Wobble plate	1	ST
7	5.411-100.0	Screw plug	1	ST
9	6.343-010.0	Tolerance ring 62x10	1	ST
10	6.401-225.3	Taper roller bearing 41	1	ST
11	6.401-253.0	Ball bearing 6305-2Z	1	ST
12	6.363-498.0	O-Ring seal 11,0x2,0 HNBR	1	ST
21	6.303-515.0	Self-tapping screw M6x25	4	ST
25	7.306-041.0	Cylinder head screw M8x20 -8.8-A2E ISO	1	ST
27	7.312-159.0	Toothed lock washer A8,4-FST-PH DIN 679	1	ST
31	7.318-035.0	Parallel key 8x7x25 -C45K DIN 6885-1	1	ST
32	7.367-012.0	Radial shaft seal ring A35x52x7 -FKM DIN	1	ST
35	6.288-044.0	Silicon grease 100 G	1	ST



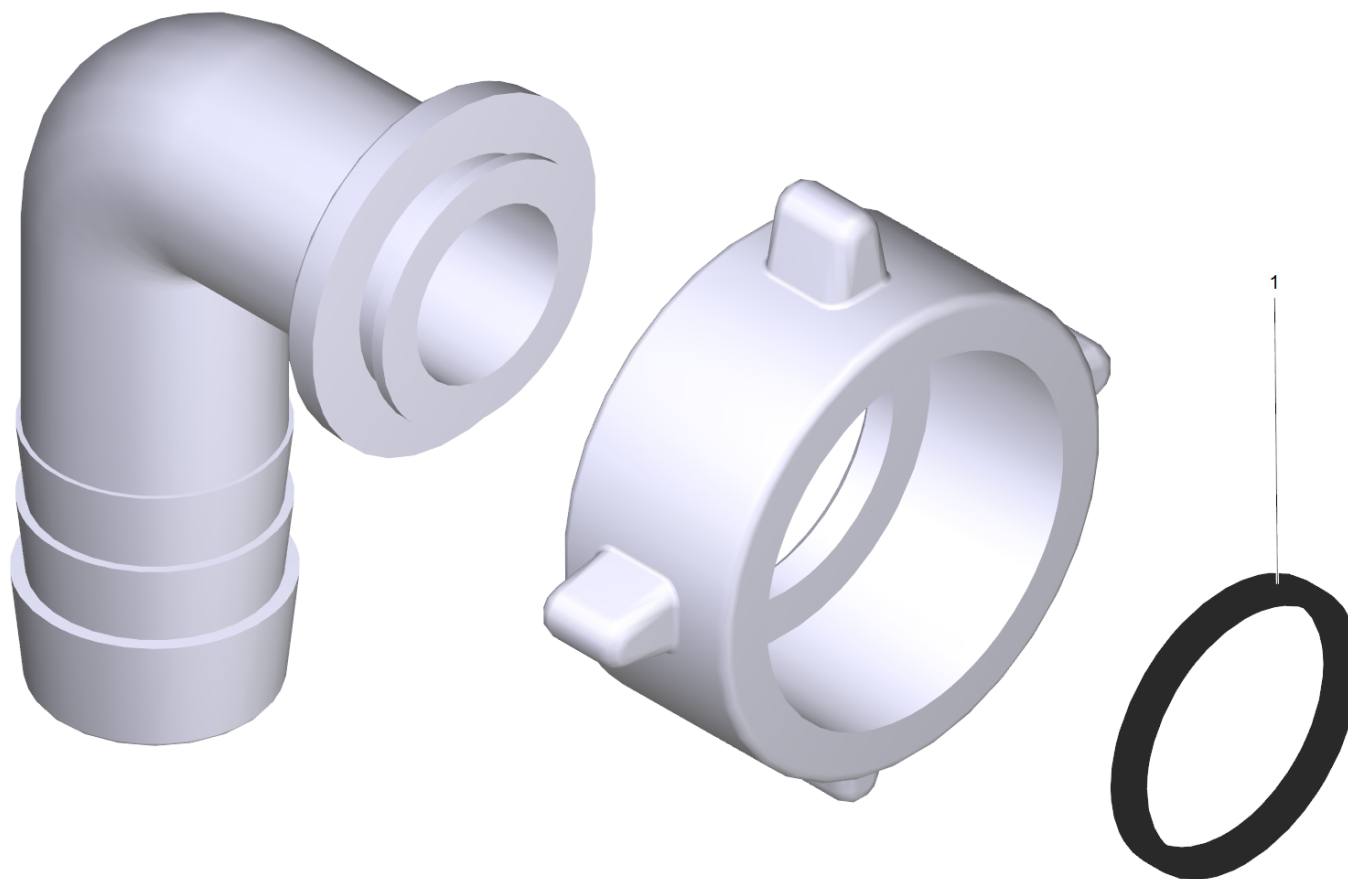
100 Pump set HD 13/12-4 ST-H (2.885-319.0)

POS	Article no.	Description	Quantity	Unit
1	2.885-229.0	Valve only for replacement	2	ST
2	4.580-734.0	Valve complete	1	ST
3	2.885-253.0	Set of gaskets ND PTFE (3x)	1	ST
4	2.885-234.0	Set of gaskets high pressure (3 Stueck)	1	ST
5	6.365-422.0	Grooved ring 22X30X7/6	3	ST
6	6.363-543.0	O-Ring seal 6,0 x 1,5 HNBR 70 Shore	3	ST
7	6.363-331.0	O-Ring seal 9,0 x 1,5	2	ST
8	6.363-498.0	O-Ring seal 11,0x2,0 HNBR	1	ST
9	6.363-459.0	O-Ring seal 14 x 2	4	ST
10	6.363-542.0	O-Ring seal 16,0 x 2,0 HNBR 70 Shore	1	ST
11	6.363-541.0	O-Ring seal 21 x 1,78 HNBR 70 Shore	2	ST
12	6.363-545.0	O-Ring seal 36,0 x 2,0 HNBR 70 Shore	3	ST
13	6.363-544.0	O-Ring seal 114,0 x 3,0 HNBR 70 Shore	1	ST
14	5.034-494.0	Retaining bracket	1	ST
15	6.288-072.0	Silicon grease	1	ST



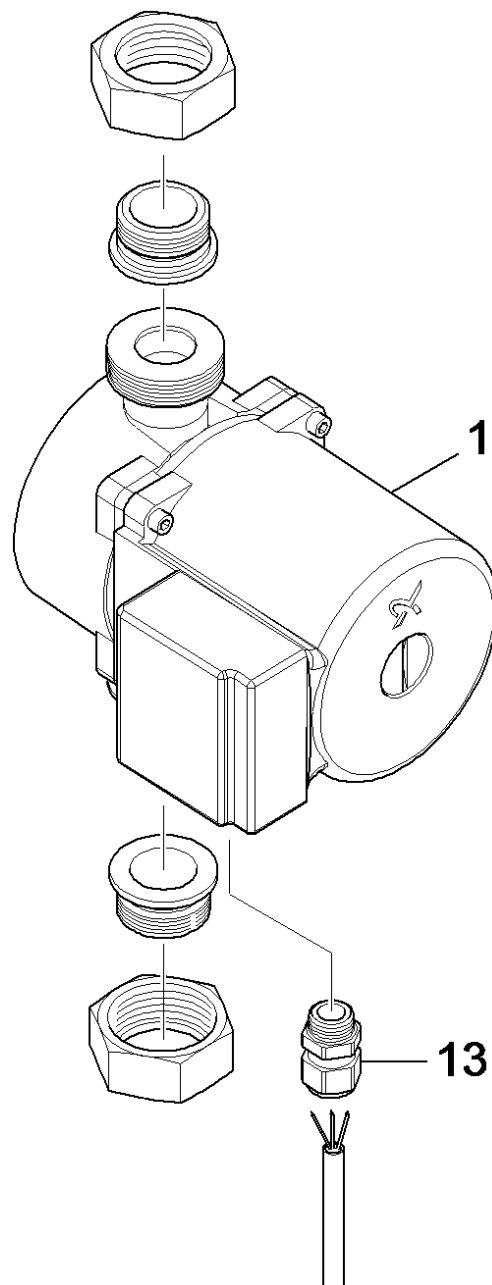
4 Electric control box HD-ST 230V

POS	Article no.	Description	Quantity	Unit	Foot note text
1	5.062-336.0	Housing electric control box	1	ST	
3	6.632-334.0	Power contactor LC1 D32 B7	1	ST	
4	6.631-428.0	Motor protecting switch -22-27A	1	ST	
5	6.641-270.0	Plug	1	ST	
7	6.273-037.0	Seal string cellular rubber 3	0,8	M	
8	6.661-302.0	Interference suppressor triple-pole	1	ST	
9	6.630-049.0	Cap	1	ST	
14	5.321-692.0	Handle	1	ST	
15	5.363-616.0	Joint ring	1	ST	
16	5.064-413.0	Cover electric control box	1	ST	
18	7.303-085.0	Screw 4x 35 -10.9-R2R (K-In6Rd)	4	ST	
19		Tensioning part 13/14/7	2	ST	
21		Sheet metal screw ST3,9x45 -St-A2K-C-H I	2	ST	
22	5.802-261.0	Mounting part	1	ST	
23	6.651-506.0	Lens housing	1	ST	
24	6.651-505.0	Pilot lamp	1	ST	
25	6.984-610.0	Circuit board control system HD-ST	1	ST	
28	7.303-106.0	Screw 4x12 -10.9-R2R (IN6RD)	7	ST	
29	7.312-281.0	Washer 4 -200HV-A2E ISO7093-1	2	ST	
30	6.643-336.0	Strip terminal	2	ST	VERSION 1
30	6.643-471.0	Strip terminal with fuse	2	ST	VERSION 2
31	6.644-070.0	Fuse insert medium time-lag G-5,0A	2	ST	
32	6.650-139.0	Cable harness HD-ST EU II	1	ST	
35	6.649-441.0	Cable without plug	1	ST	
36	7.312-098.0	Washer 27 -PA6.6-Natur ISO 7089	1	ST	
37	6.303-245.0	Cylinder head screw 3X18-ST-A2E	1	ST	VERSION 1
37	7.306-045.0	Screw M2x20 -4.8-A2K DIN 84	1	ST	VERSION 2
41	7.303-119.0	Countersunk screw 3x10 -10.9-R2R (In6Rd)	1	ST	VERSION 2
42	5.013-470.0	Plate clamp	1	ST	VERSION 2



12 Elbow screw connector R1" (6.391-867.0)

POS	Article no.	Description	Quantity	Unit
1	6.362-358.0	Seal	1	ST



13 Circulation pump (4.540-133.0)

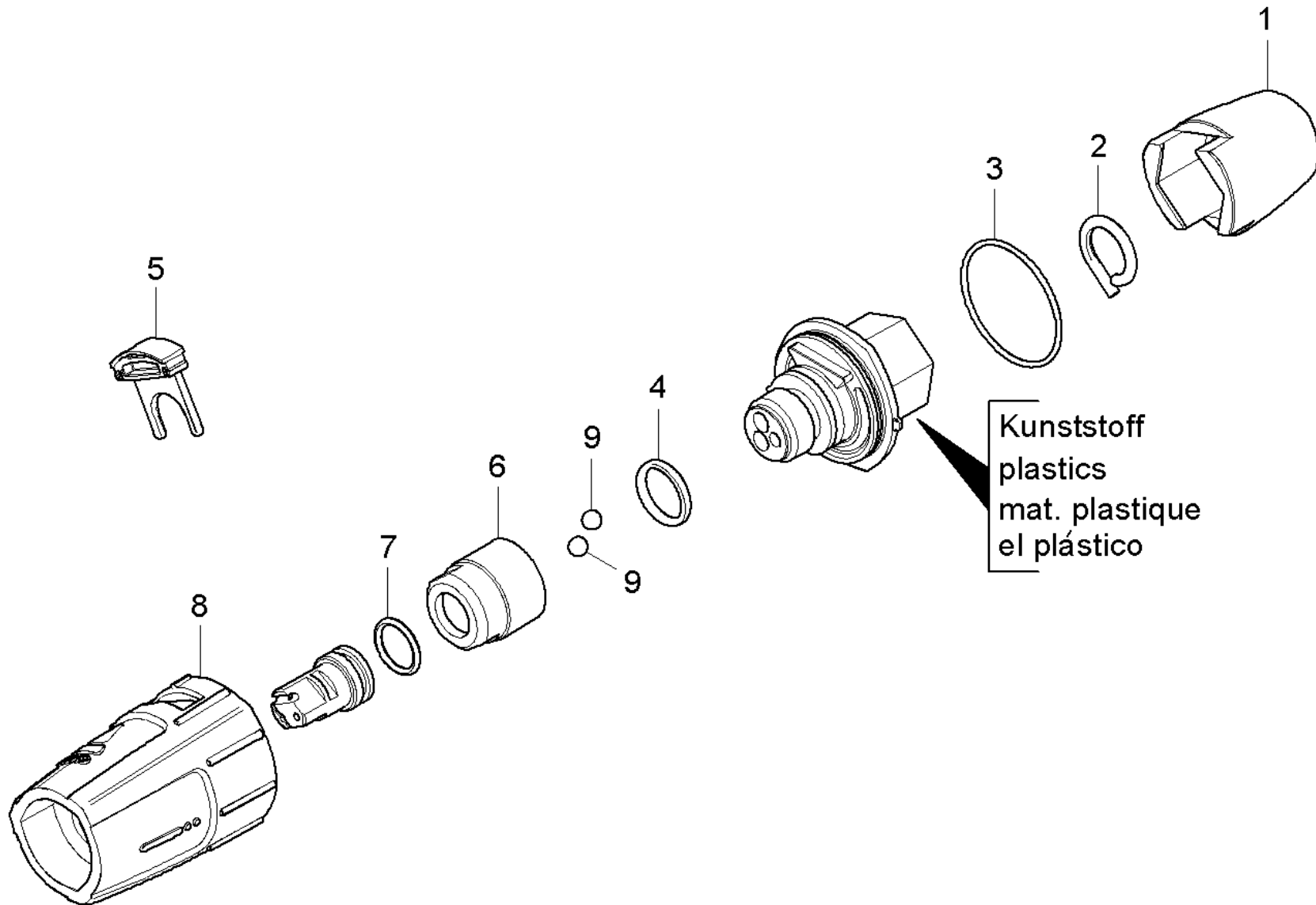
POS	Article no.	Description	Quantity	Unit
1	6.473-533.0	Admission pressure pump one-pole	1	ST
13	6.641-357.0	Cable gland PG11	1	ST

40 Triple jet nozzle only for replacement 0 (4.767-205.0)

POS	Article no.	Description	Quantity	Unit
2	5.970-837.0	Spare parts list triple jet nozzle	1	ST

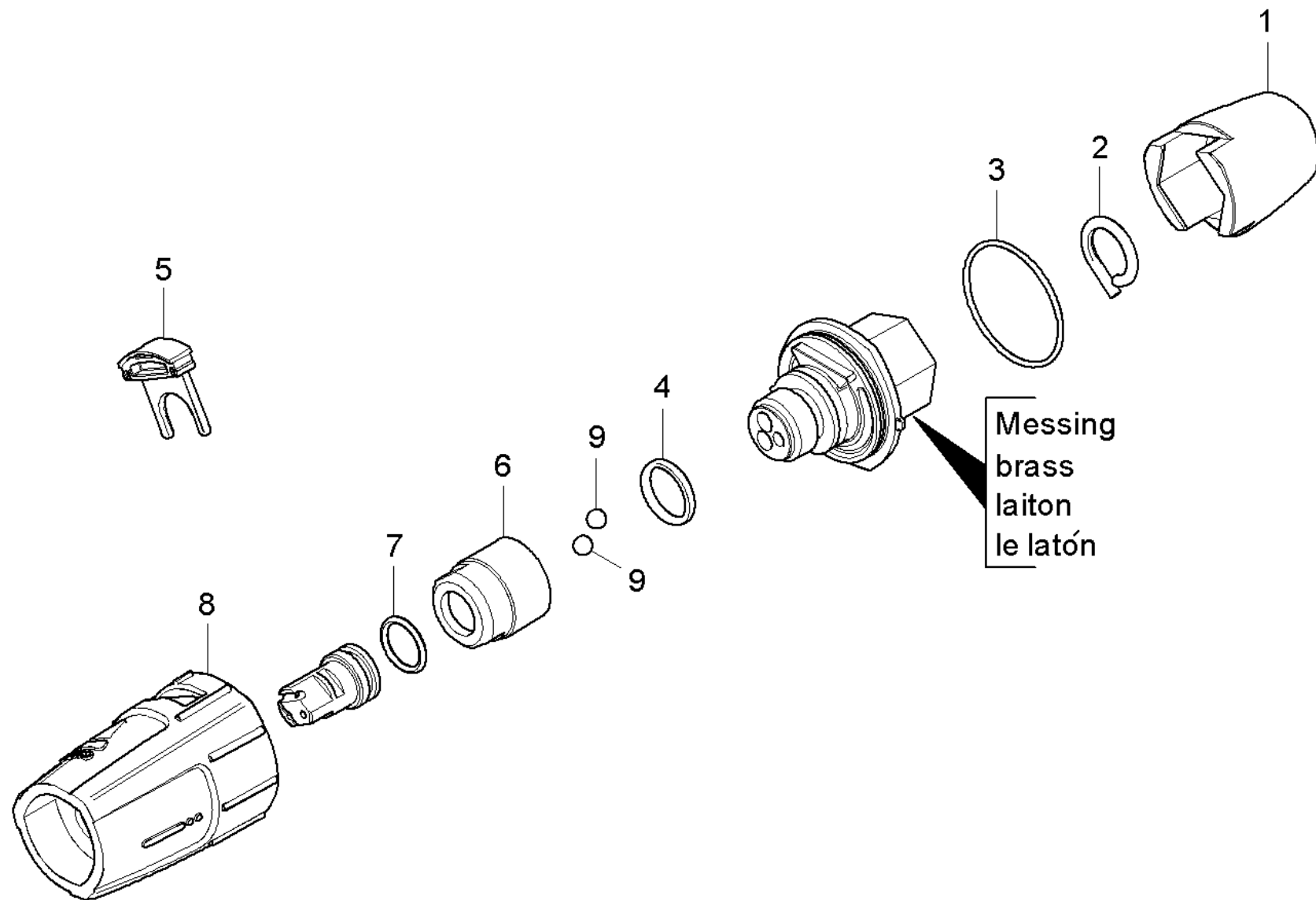
2 Spare parts list triple jet nozzle (5.970-837.0)

POS	Description	Quantity	Unit
10	Triple jet nozzle plastics	1	ST
20	Triple jet nozzle brass	1	ST



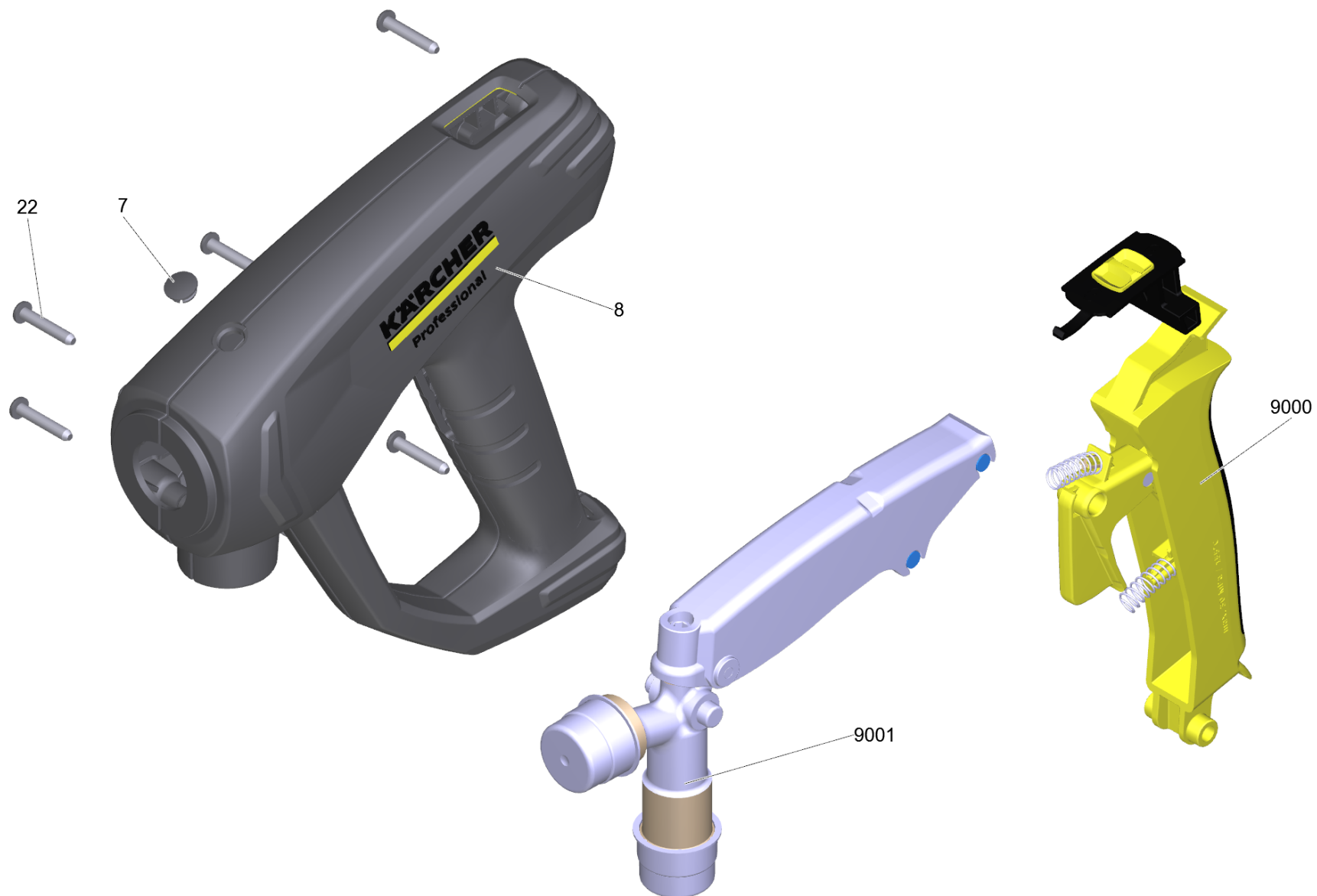
10 Triple jet nozzle plastics

POS	Article no.	Description	Quantity	Unit
1	5.394-530.0	Protection part complete	1	ST
2	6.343-150.0	Pin 03	1	ST
3	6.362-409.0	O-Ring seal 32,0 X 1,5	1	ST
4	7.362-039.0	O-Ring seal 15,5x1,5 -NBR70 DIN 3771	1	ST
5	5.321-884.0	Clamp	1	ST
6	5.311-236.0	Nut	1	ST
7	6.362-480.0	O-Ring seal 12,42x 1,78	1	ST
8	5.394-874.0	Protection part	1	ST
9	7.401-902.0	Sphere 5 G20 -1.4034 DIN 5401	2	ST



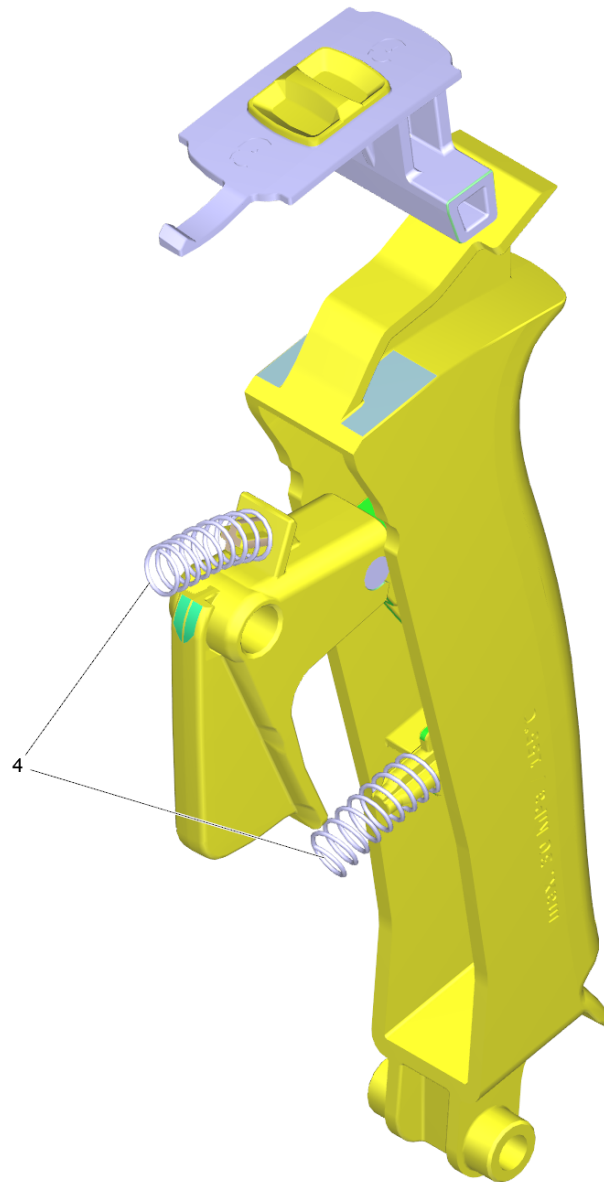
20 Triple jet nozzle brass

POS	Article no.	Description	Quantity	Unit
1	5.394-530.0	Protection part complete	1	ST
2	6.343-150.0	Pin 03	1	ST
3	6.362-409.0	O-Ring seal 32,0 X 1,5	1	ST
4	6.362-460.0	O-Ring seal 14,0 X 2,5-NBR 70	1	ST
5	5.321-884.0	Clamp	1	ST
6	5.311-225.0	Nut	1	ST
7	6.362-480.0	O-Ring seal 12,42x 1,78	1	ST
8	5.394-859.0	Protection part	1	ST
9	7.401-902.0	Sphere 5 G20 -1.4034 DIN 5401	2	ST



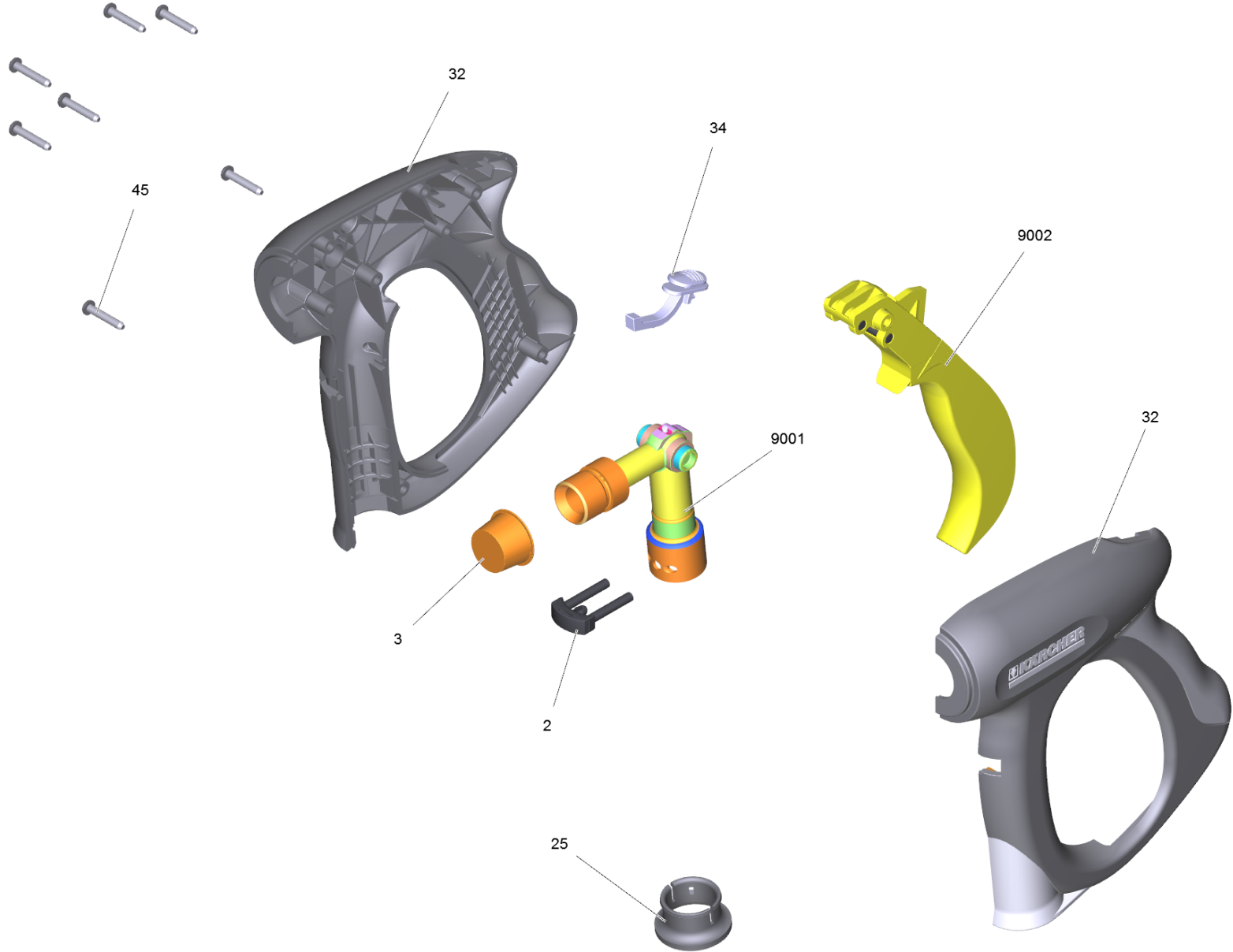
41 EASY!Force Advanced (4.118-005.0)

POS	Article no.	Description	Quantity	Unit
7	5.132-001.0	Plug	1	ST
8	5.321-136.3	Handhold few EH 155 only for replacement	1	ST
22	7.303-096.0	Screw 4x22 -ST-10.9-R2R (IN6RD)	7	ST
9000	2.885-483.0	Spare part set lever	1	ST
9001	4.427-014.0	Manifold TR EH 155 nur fuer Ersatz	1	ST



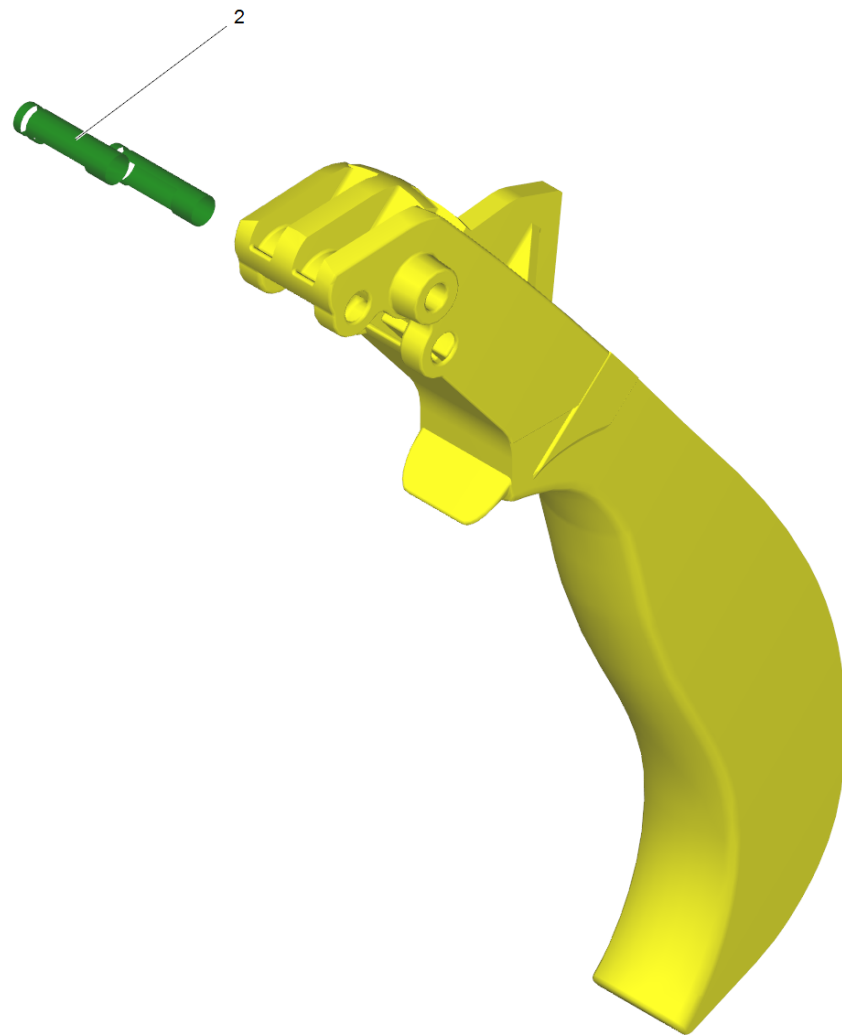
9000 Spare part set lever (2.885-483.0)

POS	Article no.	Description	Quantity	Unit
4	5.332-178.0	Helical spring	2	ST



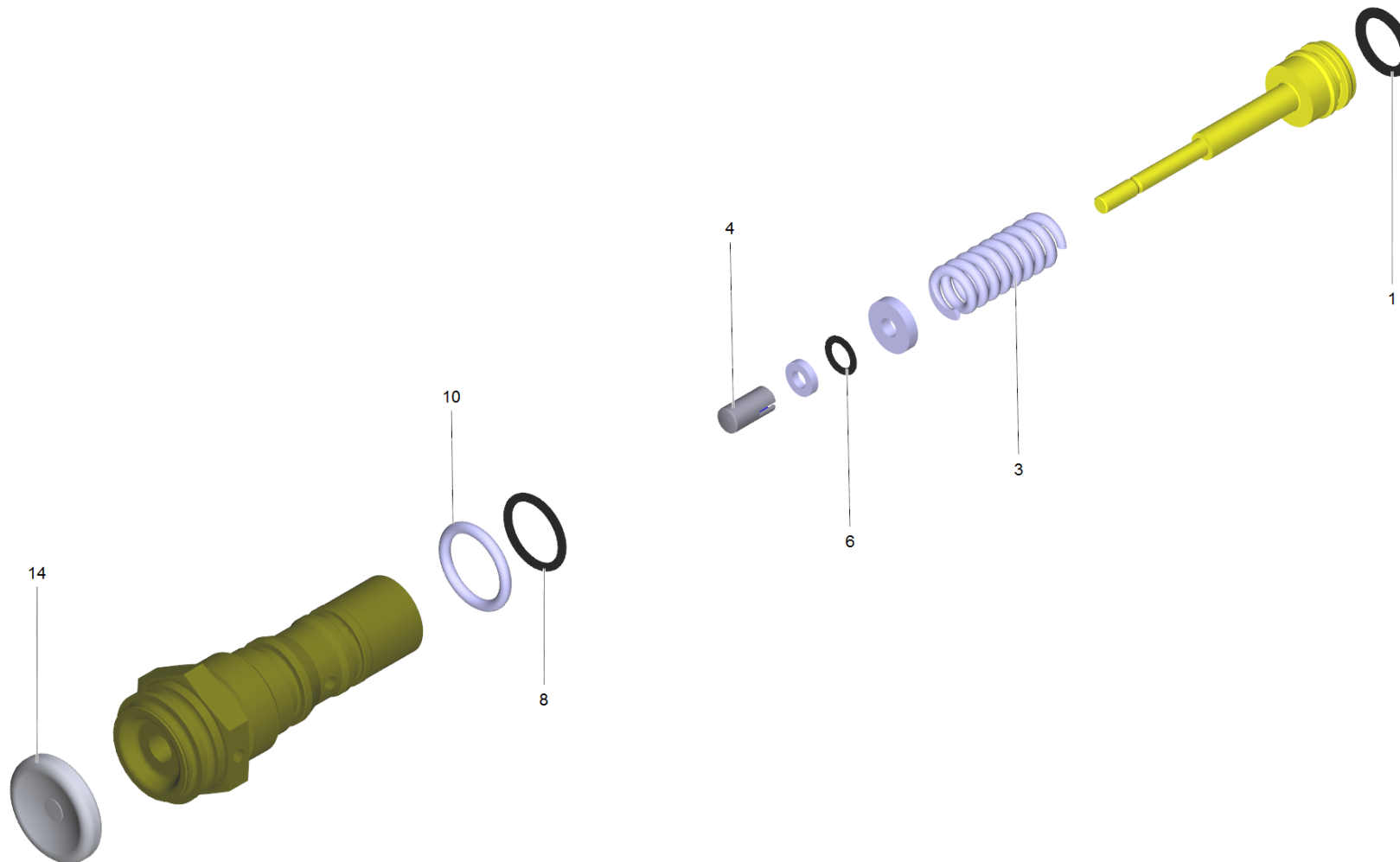
41 HAND TRIGGER GUN EASY PRESS (4.775-463.0)

POS	Article no.	Description	Quantity	Unit
2	4.037-013.0	Hook	1	ST
3	6.368-012.0	Protecting cap 22X1,5	1	ST
4	6.869-075.0	Metal bonding agent 1,5 ml	1	ST
cart_info_txt: This material is not available due to hazardous good regulation. Please procure this or a similar material from a local supplier of your choice.				
25	5.110-596.0	Sleeve	1	ST
32	5.321-669.3	Handhold few	1	ST
34	5.481-331.0	Slider	1	ST
45	7.303-096.0	Screw 4x22 -ST-10.9-R2R (IN6RD)	7	ST
1041	6.288-044.0	Silicon grease 100 G	1	ST
9001	4.427-215.0	Manifold complete only for replacement	1	ST
9002	4.481-209.0	Lever complete	1	ST



9002 Lever complete (4.481-209.0)

POS	Article no.	Description	Quantity	Unit
2	5.314-119.0	Pin	2	ST

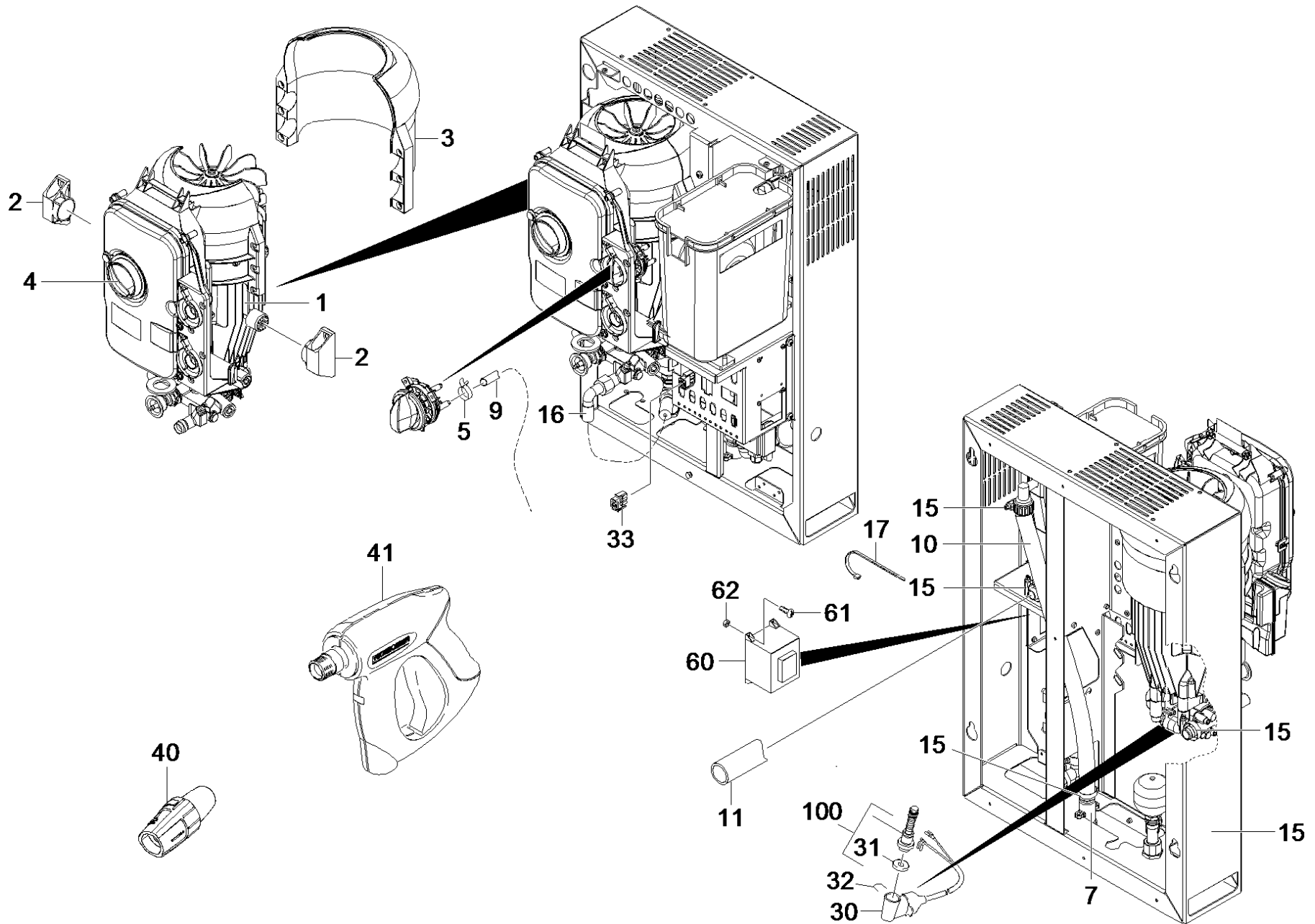


100 Spare part set control piston (2.885-226.0)

POS	Article no.	Description	Quantity	Unit
1	6.363-350.0	O-Ring seal 8.74x1.78	1	ST
3	5.332-511.0	Helical spring	1	ST
4	5.110-947.0	Sleeve	1	ST
6	6.363-330.0	O-Ring seal 2,9 x 1,78	1	ST
8	6.363-452.0	O-Ring seal 11 x 1,5	1	ST
10	6.363-519.0	O-Ring seal 12,00x 2,00	1	ST
14	5.367-030.0	Diaphragm	1	ST

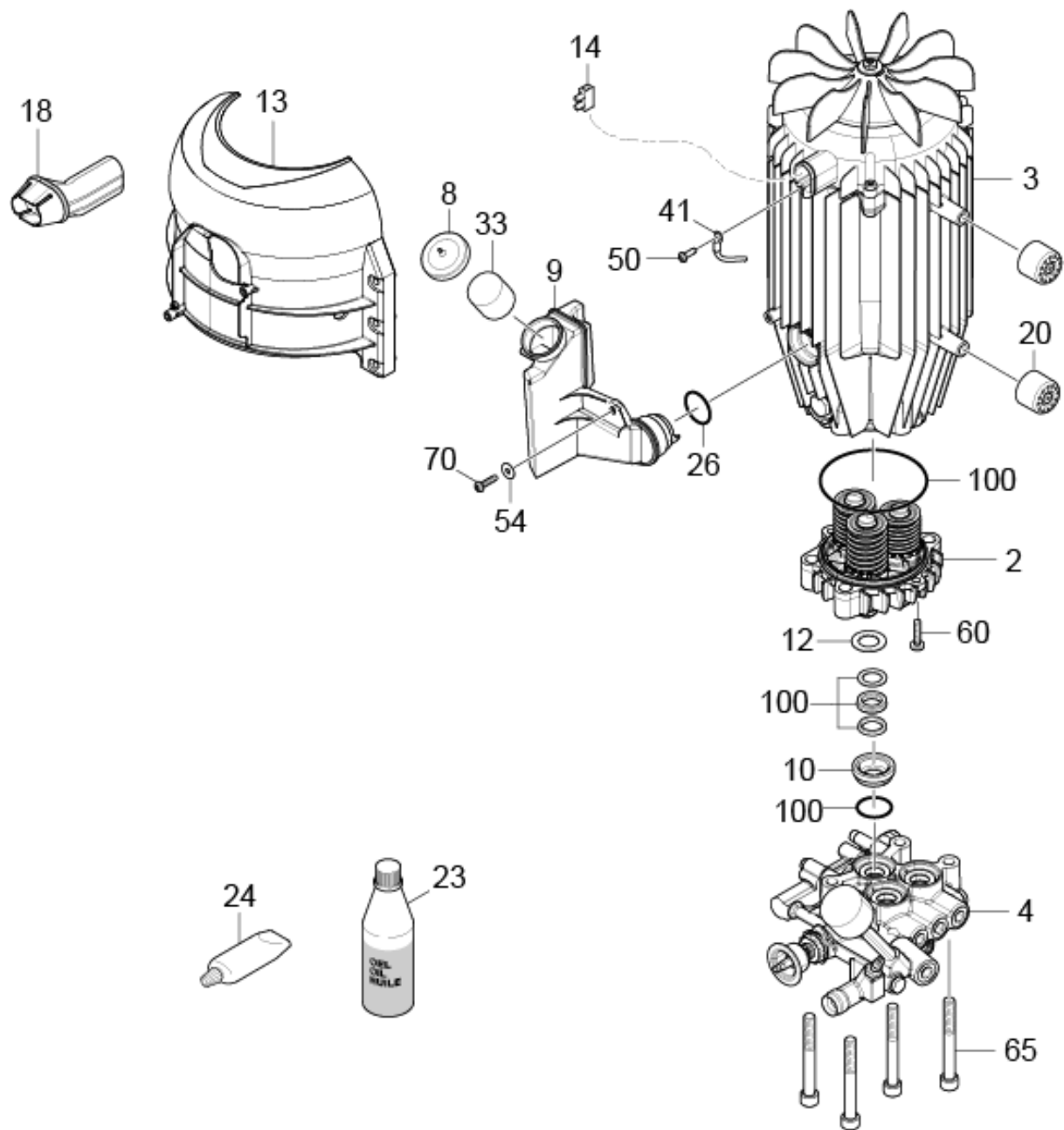
23 Pump set complete HD 7/16-4 ST 230V

POS	Article no.	Description	Quantity	Unit
1000	2.532-012.3	Spare parts list pump set complete HD 7/	1	ST



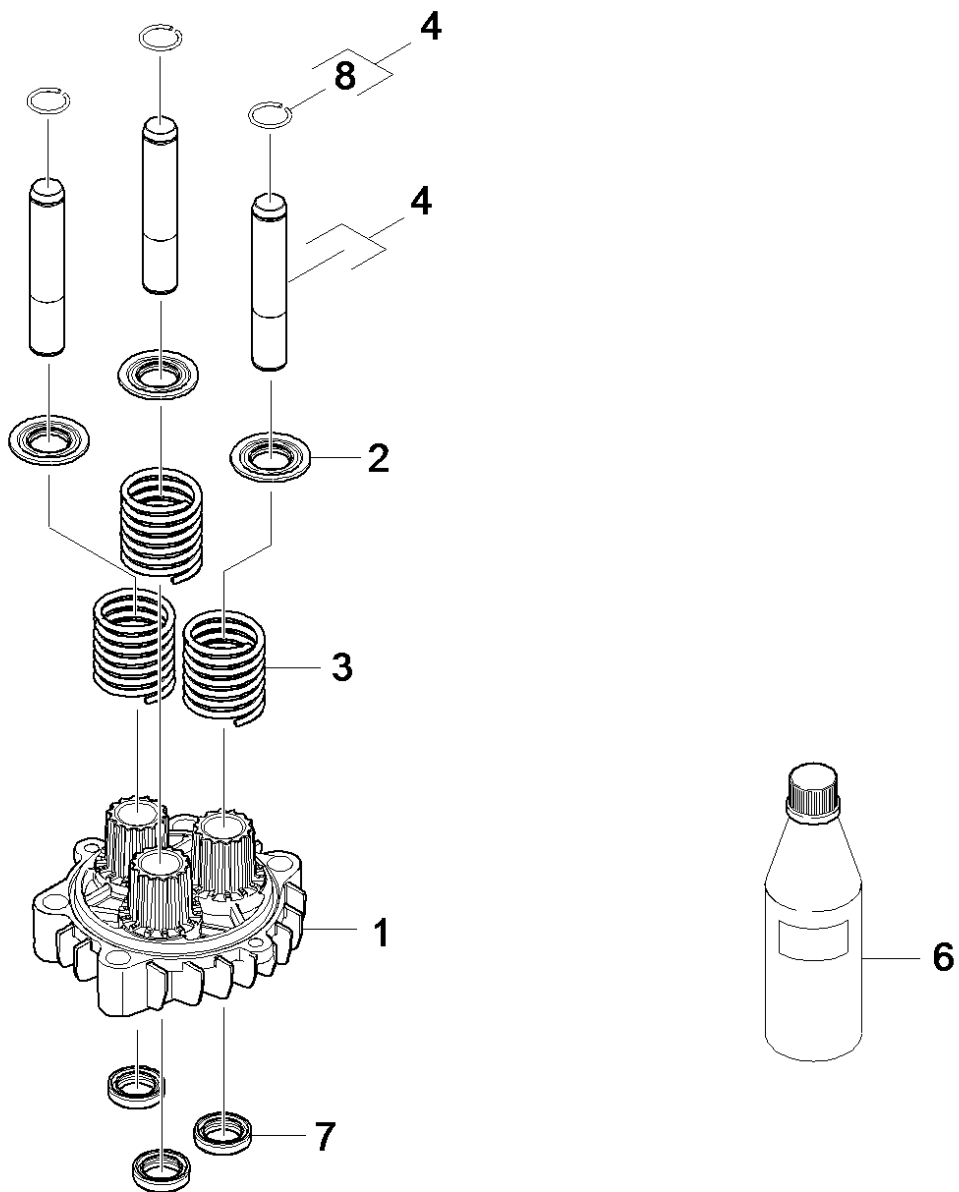
1000 Spare parts list pump set complete HD 7/ (2.532-012.3)

POS	Article no.	Description	Quantity	Unit	Remark
1		Pump set HD 7/16-4 ST 400V	1	ST	
2	5.044-891.0	Holder	2	ST	
3	2.885-228.0	Spare part set air circulation	1	ST	
4		Electric control box HD-ST 7/16 230V	1	ST	
5	6.390-133.0	Hose clip	2	ST	
7	5.427-432.0	Manifold	1	ST	
9	6.388-247.0	Hose DN8 -PVC	0,44	M	
10	6.388-719.0	Hose DN17	0,57	M	
11	5.443-628.0	Hose	1	ST	
15	7.373-022.0	Hose clip A-16-27x9 -W2-2 DIN3017	4	ST	
16	6.392-198.0	Hose assembly DN8 40MPa 0,46m	1	ST	
17	6.641-465.0	Cable tape	1	ST	
30	4.744-190.0	Switch complete	1	ST	
31	5.367-030.0	Diaphragm	1	ST	
32	5.034-494.0	Retaining bracket	1	ST	
33	6.649-887.0	Plug triple dummy plug	1	ST	
40	4.117-035.0	Triple jet nozzle TR 043	1	ST	1.524-950.2
40	4.767-152.0	Triple jet nozzle only for replacement 0	1	ST	1.524-500.2
41	4.118-005.0	EASY!Force Advanced	1	ST	1.524-950.2
41	4.775-463.0	HAND TRIGGER GUN EASY PRESS	1	ST	1.524-500.2
60	6.622-336.0	Control transformer 96VA - EI78/40,5 230	1	ST	
61	7.306-058.0	Screw M 4X 12- 8.8-R2R K-IN6RD	4	ST	
62	7.311-569.0	Square nut M4 -04-A2E DIN 562	4	ST	
100	2.885-226.0	Spare part set control piston	1	ST	



1 Pump set HD 7/16-4 ST 400V

POS	Article no.	Description	Quantity	Unit
2		Housing thrust guidance HD 7/17	1	ST
3	4.624-076.0	Motor complete only for replacement HD 7	1	ST
4		Cylinder head complete	1	ST
8	5.064-457.0	Cover plate qusty grey oil	1	ST
9	5.070-658.0	Tank oil	1	ST
10	5.112-885.0	Bush	3	ST
12	5.115-432.0	Washer	3	ST
13	2.885-228.0	Spare part set air circulation	1	ST
14	6.643-151.0	Strip terminal one-pole 16mm ²	1	ZST
18	5.365-341.0	Profile gasket long	1	ST
20	5.767-005.0	Rubber buffer	4	ST
23	6.288-016.0	Gear oil 1L	1	ST
24		Silicon grease	0,005	ZST
26	6.362-722.0	O-Ring seal 28,0 X 3,0	1	ST
33	5.132-187.0	Plug	1	ST
41	4.820-578.0	Cable green/yellow 1,5mm ² x450mm	1	ST
50	7.303-031.0	Screw M4x10 -St-P2R (In6Rd)	1	ST
54	7.312-282.0	Washer 5 -A2 ISO 7093-1	1	ST
60	7.306-094.0	Screw M6x25 -8.8-R3R (In6Rd)	2	ST
65	7.306-807.0	Cylinder head screw M10x85-8.8-A3E ISO4	4	ST
70	6.303-320.0	Screw M 5x 20-St-R2R	1	ST
100	2.885-317.0	Pump set HD 7/16-4 ST-H	1	ST

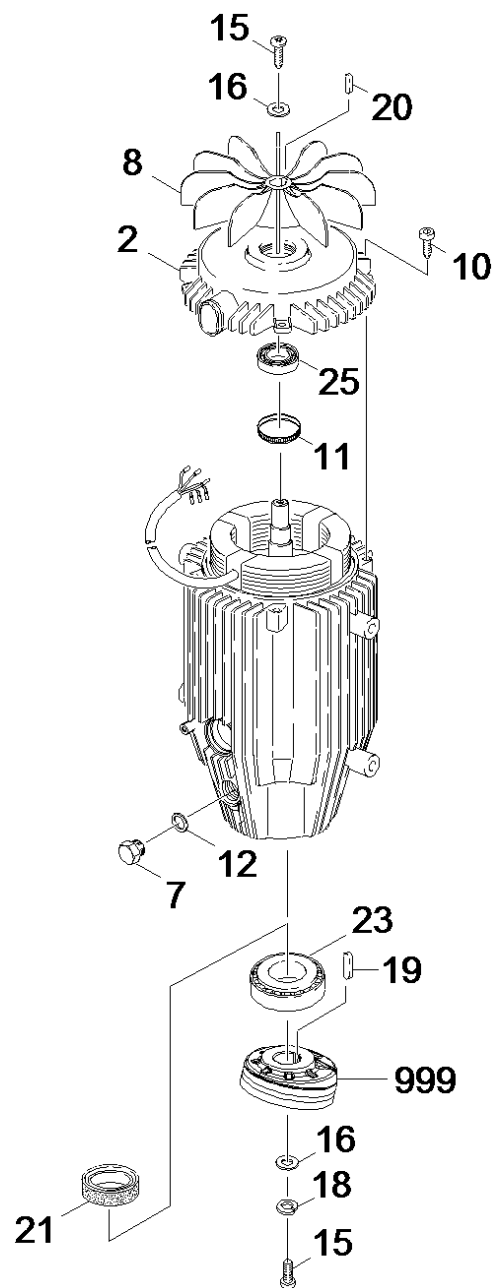


2 Housing thrust guidance HD 7/17

POS	Article no.	Description	Quantity	Unit
1	5.061-059.0	Housing	1	ST
2	5.116-134.0	Washer	3	ST
3	5.333-027.0	Helical spring	3	ST
4	4.553-284.0	Spare part set piston complete	3	ST
6	6.288-016.0	Gear oil 1L	1	ST
7		Part at pump set	1	ST
8	7.343-473.0	Snap ring 18 -FST DIN 9925	3	ST

3 Motor complete only for replacement HD 7 (4.624-076.0)

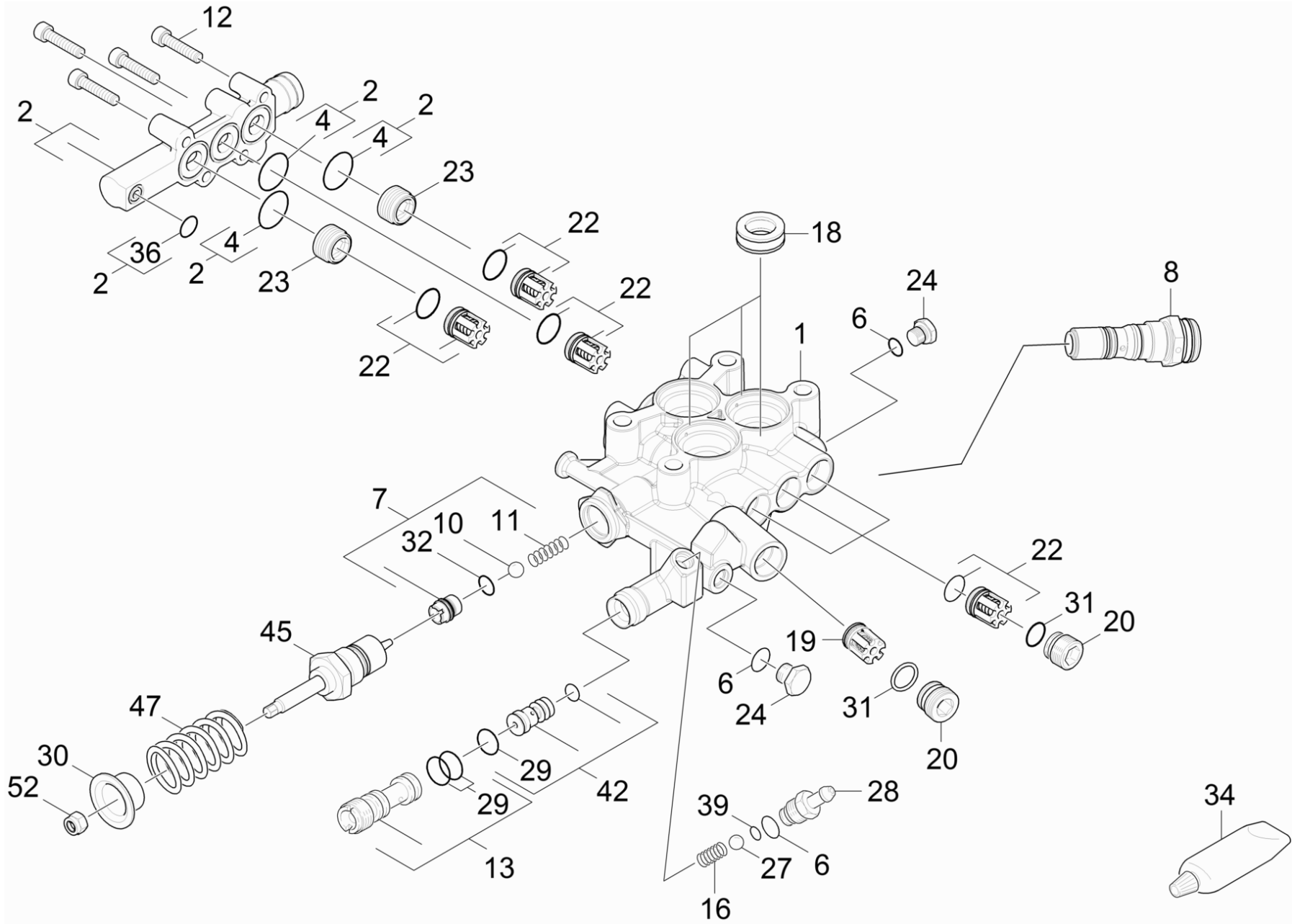
POS	Description	Quantity	Unit
1	Motor complete HD 7/16-4ST 400V	1	ST



1 Motor complete HD 7/16-4ST 400V

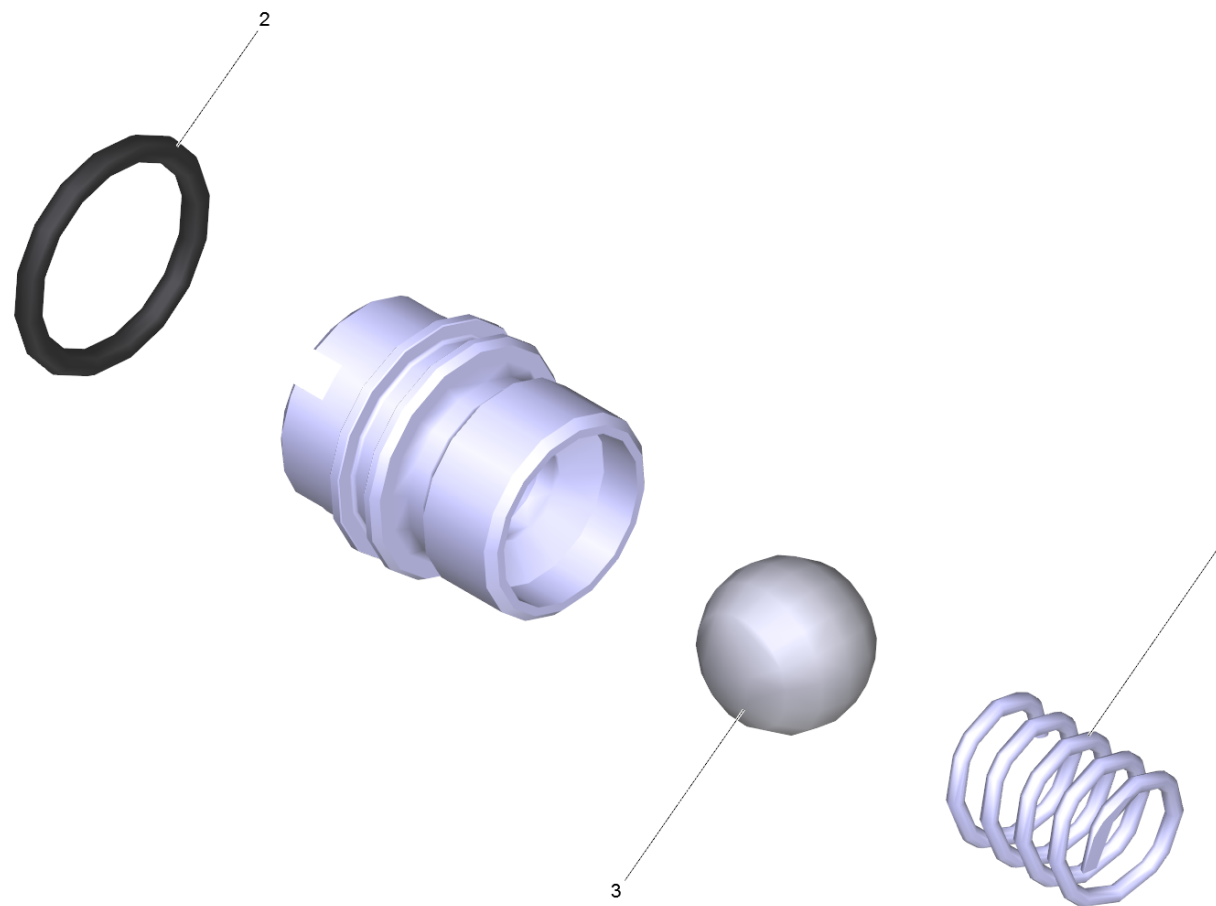
POS	Article no.	Description	Quantity	Unit
2	5.063-707.0	Bearing cover B	1	ST
7	5.411-100.0	Screw plug	1	ST
8	5.600-046.0	Blower wheel	1	ST
10	6.303-265.0	Self-tapping screw M6x20	4	ST
11	6.343-171.0	Tolerance ring	1	ST
12	6.363-498.0	O-Ring seal 11,0x2,0 HNBR	1	ST
15	7.306-092.0	Screw M6x20-ST- 8.8-R3R (IN6RD)	2	ST
16	7.312-260.0	Washer 6 -100HV-A3E ISO 7094	2	ST
18	7.313-003.0	Spring washer B 6-FSt-A3E DIN 127	1	ST
19	7.318-070.0	Parallel key 5x5x20-C45K DIN 6885-1	1	ST
20	7.318-079.0	Parallel key A 5x5x25-C45K DIN 6885	1	ST
21	7.367-021.0	Radial shaft seal ring A30x40x7 -FKM DI	1	ST
23	6.401-399.0	Taper roller bearing	1	ST
25	6.401-285.0	Ball bearing 6204 2RS	1	ST
999	4.120-215.0	Wobble plate	1	ST

4 Cylinder head complete



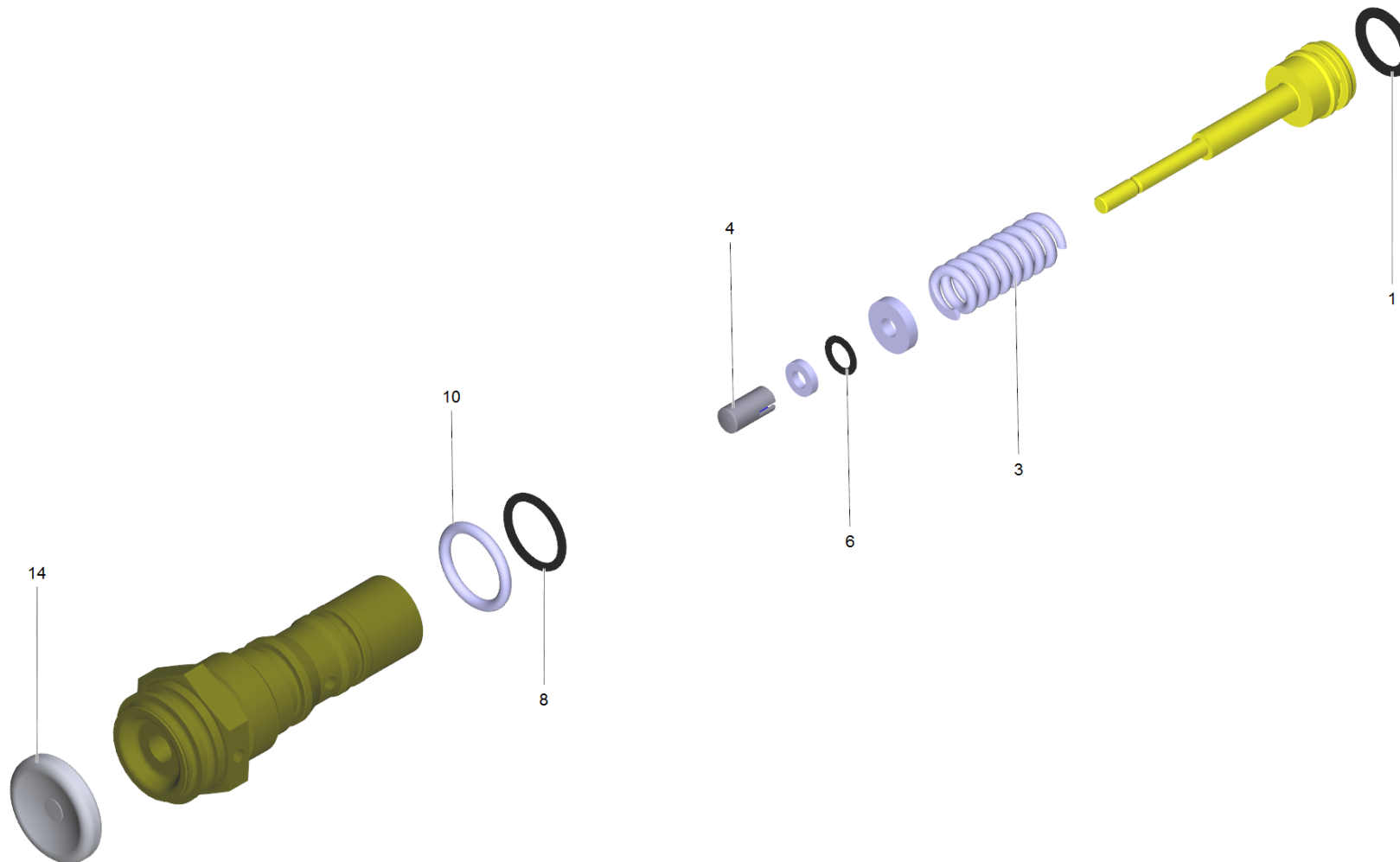
4 Cylinder head complete

POS	Article no.	Description	Quantity	Unit
1	4.550-976.0	Spare part set cylinder head HD	1	ST
2	4.064-023.0	Suction cover complete only for replacem	1	ST
4		Part at pump set	1	ST
6		Part at pump set	1	ST
7	4.481-226.0	Valve seat complete	1	ST
8	2.885-226.0	Spare part set control piston	1	ST
10	7.401-907.0	Sphere 3/8 G200-1.4301 DIN 5401	1	ST
11	5.332-999.0	Helical spring	1	ST
12	7.306-024.0	Cylinder head screw M6x30 -8.8-A2E ISO4762	4	ST
13	5.769-158.0	Nozzle insert D1.6/D2.0/L38	1	ST
16	5.332-258.0	Helical spring	1	ST
18		Part at pump set	1	ST
19		Part at pump set	1	ST
20	4.483-002.0	Valve screw	4	ST
22		Part at pump set	1	ST
23	5.583-177.0	Valve screw M20x1	2	ST
24	5.411-070.0	Screw plug	2	ST
27	7.401-908.0	Sphere 7 G300 -1.4301 DIN 5401	1	ST
28	5.443-370.0	Nipple	1	ST
29	6.362-384.0	O-Ring seal 9x1,5 - NBR 70	3	ST
30	5.112-757.0	Bush	1	ST
31		Part at pump set	1	ST
32	6.362-858.0	O-Ring seal 11,0 X 1,5	1	ST
34	6.288-044.0	Silicon grease 100 G	1	ST
36		Part at pump set	1	ST
39	6.363-597.0	O-Ring seal 5,28 x 1,78	1	ST
42	2.885-230.0	Spare part set nozzle insert only for re	1	ST
45	2.885-227.0	Spare part set overflow valve	1	ST
47	5.332-530.0	Helical spring	1	ST
51		Screw plug pressure switch	1	ST
52	7.311-510.0	Hexagon nut M 8-8-A2E ISO 7040	1	ST



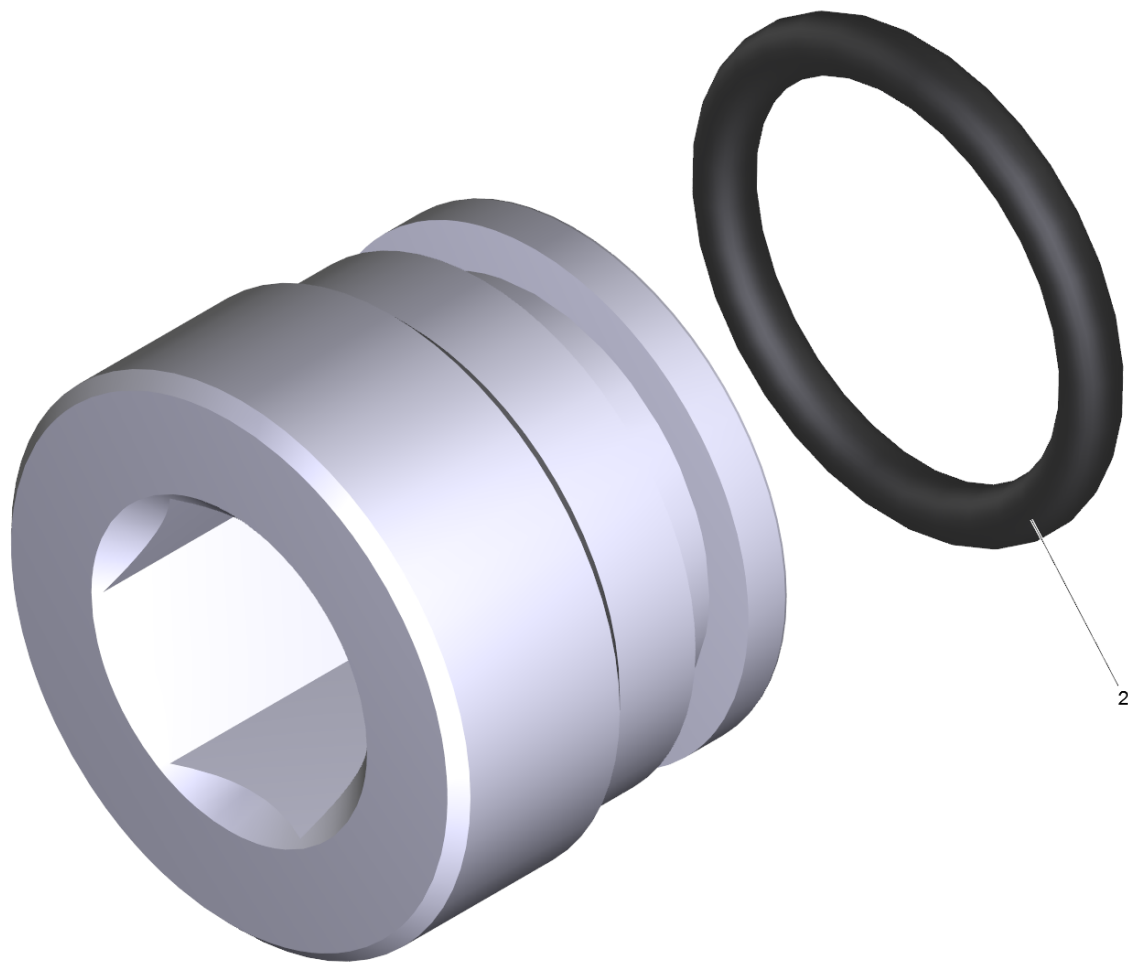
7 Valve seat complete (4.481-226.0)

POS	Article no.	Description	Quantity	Unit
2	6.362-858.0	O-Ring seal 11,0 X 1,5	1	ST
3	7.401-907.0	Sphere 3/8 G200-1.4301 DIN 5401	1	ST
4	5.332-999.0	Helical spring	1	ST



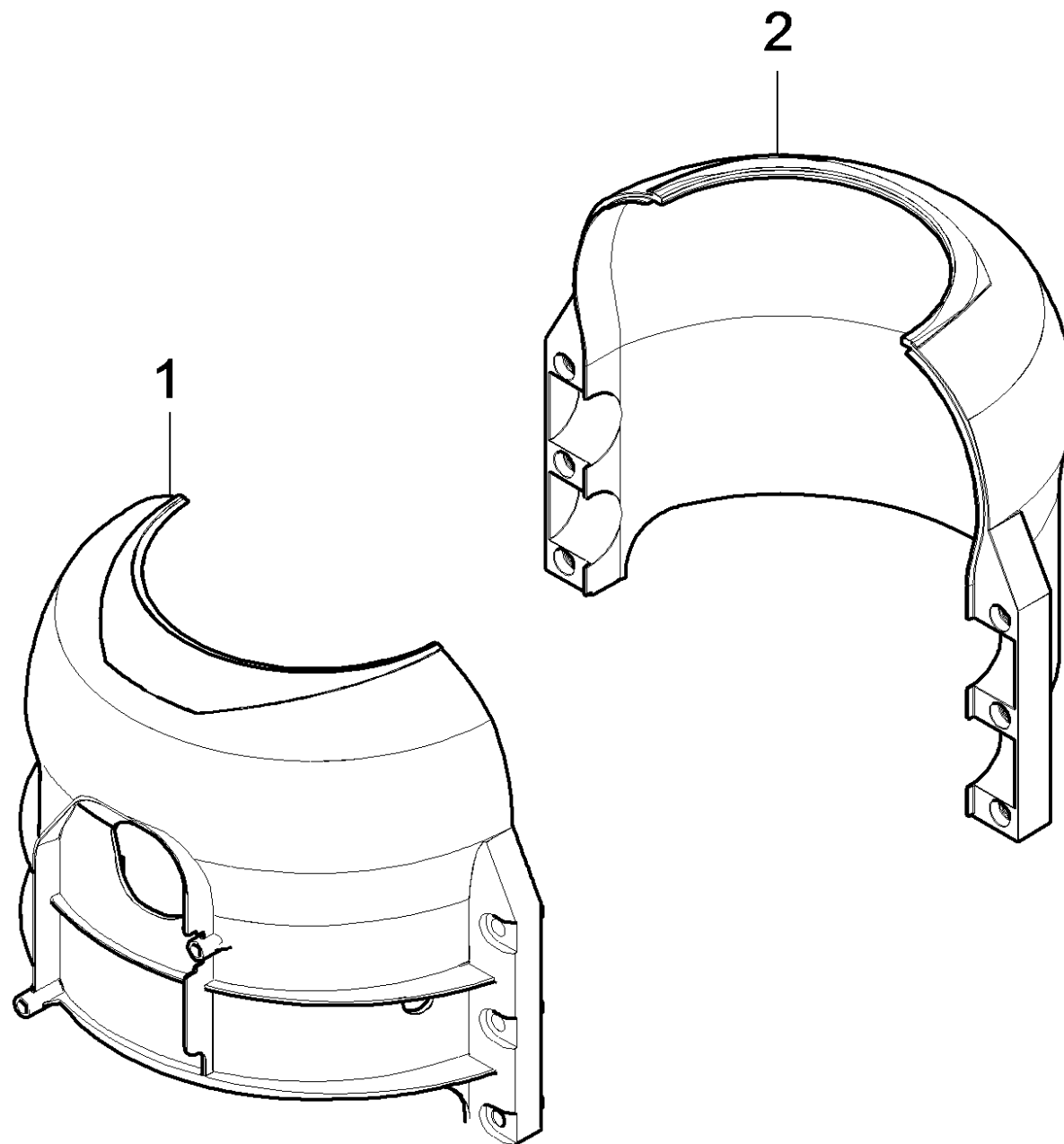
8 Spare part set control piston (2.885-226.0)

POS	Article no.	Description	Quantity	Unit
1	6.363-350.0	O-Ring seal 8.74x1.78	1	ST
3	5.332-511.0	Helical spring	1	ST
4	5.110-947.0	Sleeve	1	ST
6	6.363-330.0	O-Ring seal 2,9 x 1,78	1	ST
8	6.363-452.0	O-Ring seal 11 x 1,5	1	ST
10	6.363-519.0	O-Ring seal 12,00x 2,00	1	ST
14	5.367-030.0	Diaphragm	1	ST



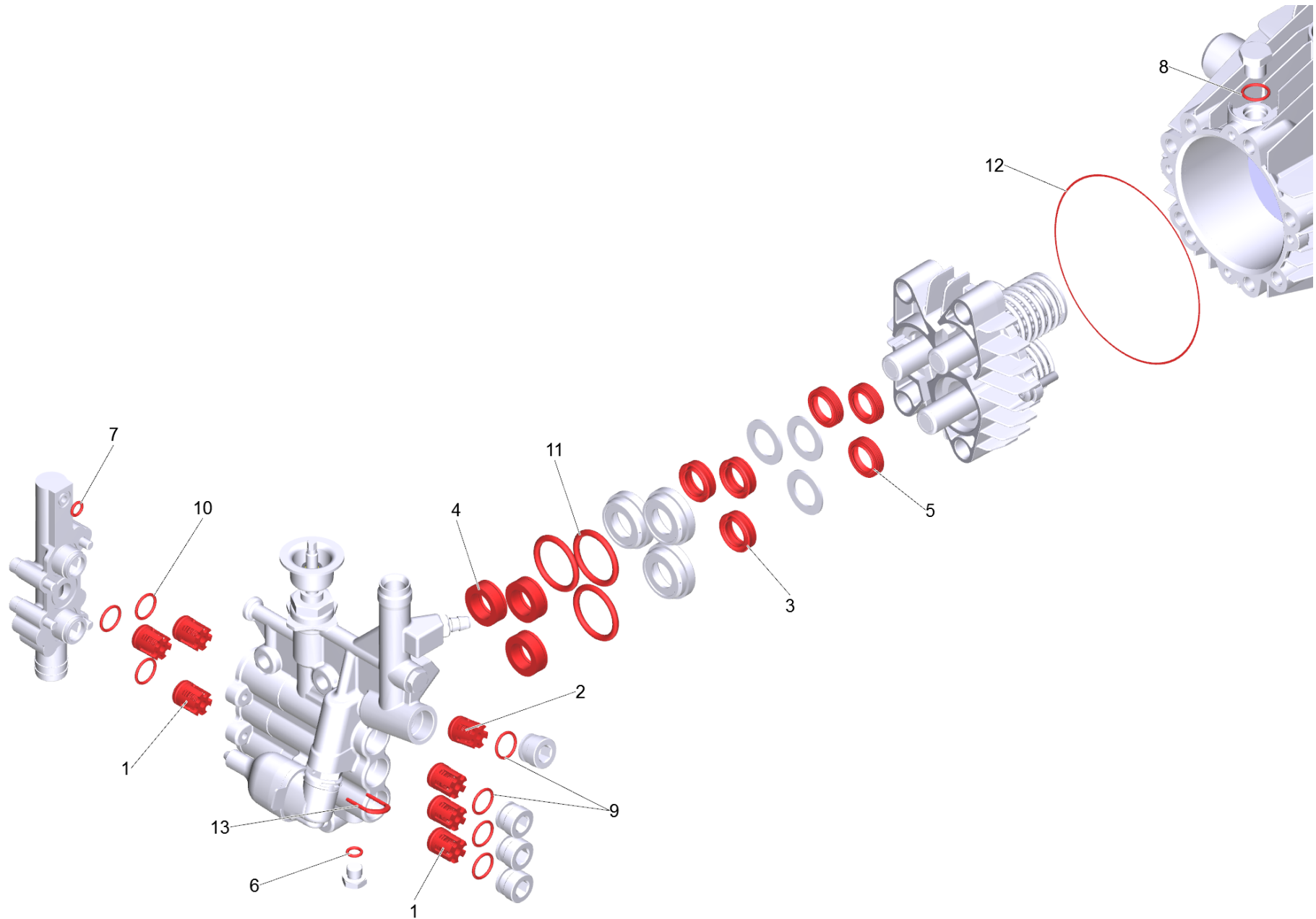
20 Valve screw (4.483-002.0)

POS	Article no.	Description	Quantity	Unit
2	6.363-459.0	O-Ring seal 14 x 2	1	ST



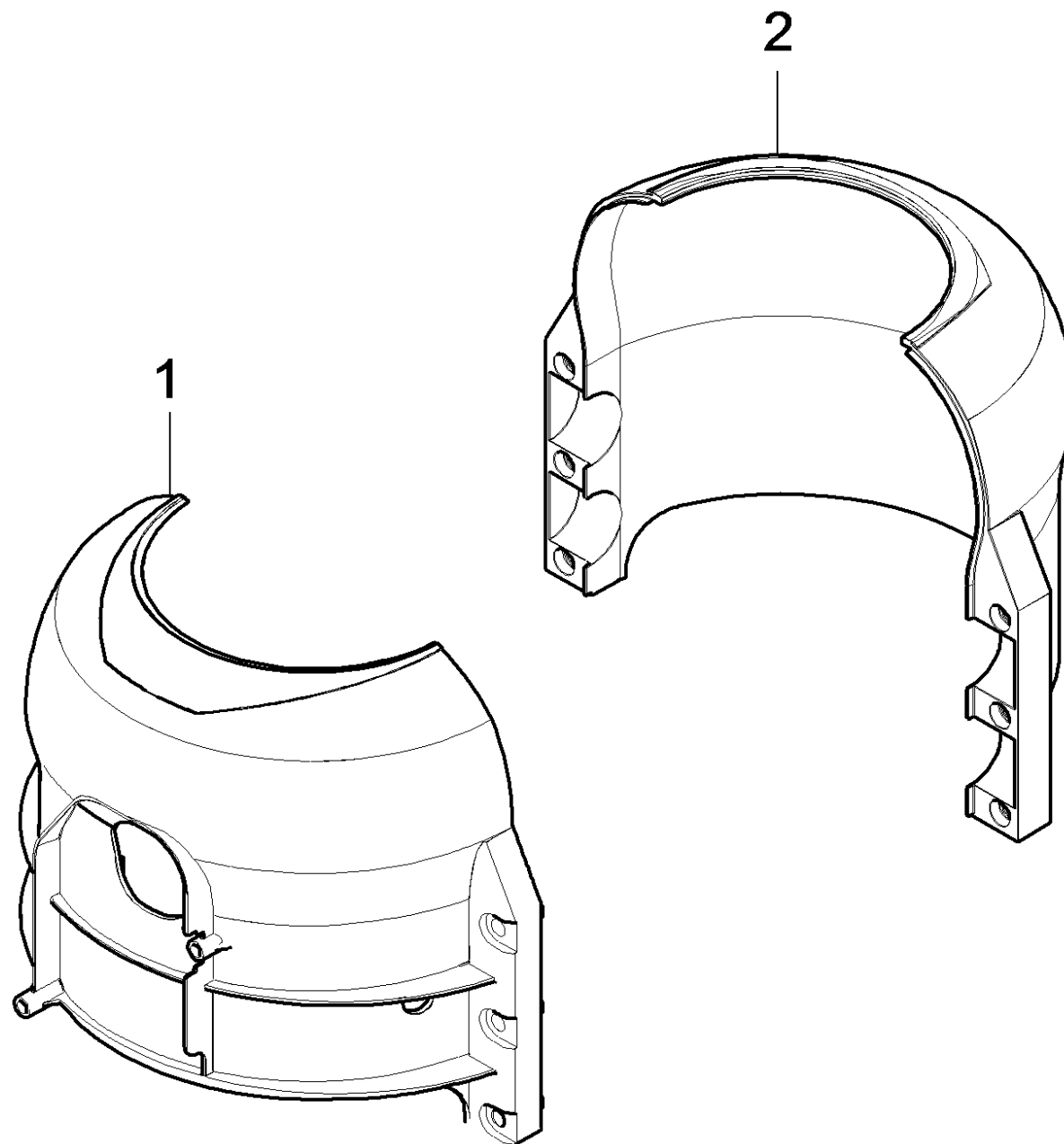
13 Spare part set air circulation (2.885-228.0)

POS	Description	Quantity	Unit
1	Air circulation front	1	ST
2	Air circulation rear	1	ST



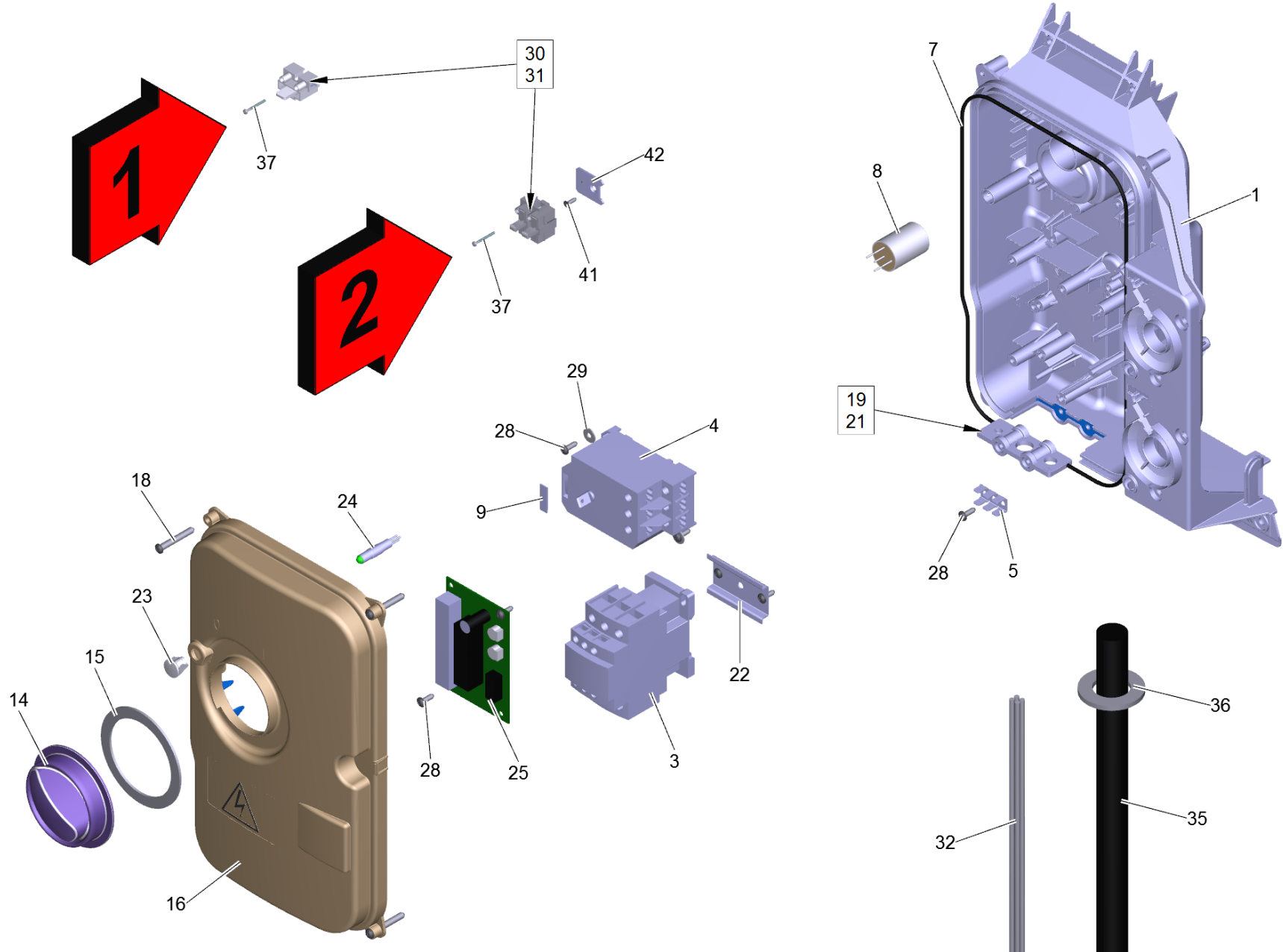
100 Pump set HD 7/16-4 ST-H (2.885-317.0)

POS	Article no.	Description	Quantity	Unit
1	2.885-139.0	Valve (3Stueck)	2	ST
2	4.580-734.0	Valve complete	1	ST
3	2.885-432.0	Set of gaskets ND PTFE (3x)	1	ST
4	2.885-237.0	Set of gaskets high pressure W1 (3 Stuec	1	ST
5	6.365-560.0	Grooved ring 18x26x7/6	3	ST
6	6.363-496.0	O-Ring seal 7,0x2,0	3	ST
7	6.363-492.0	O-Ring seal 8,0x1,5	1	ST
8	6.363-498.0	O-Ring seal 11,0x2,0 HNBR	1	ST
9	6.363-459.0	O-Ring seal 14 x 2	3	ST
10	6.363-494.0	O-Ring seal 20,0x1,5	3	ST
11	6.363-462.0	O-Ring seal 33,05 x 1,78	3	ST
12	6.363-618.0	O-Ring seal 88.57 x 2.62 HNBR 70 Shore	1	ST
13	5.034-494.0	Retaining bracket	1	ST
14	6.288-072.0	Silicon grease	1	ST



3 Spare part set air circulation (2.885-228.0)

POS	Description	Quantity	Unit
1	Air circulation front	1	ST
2	Air circulation rear	1	ST

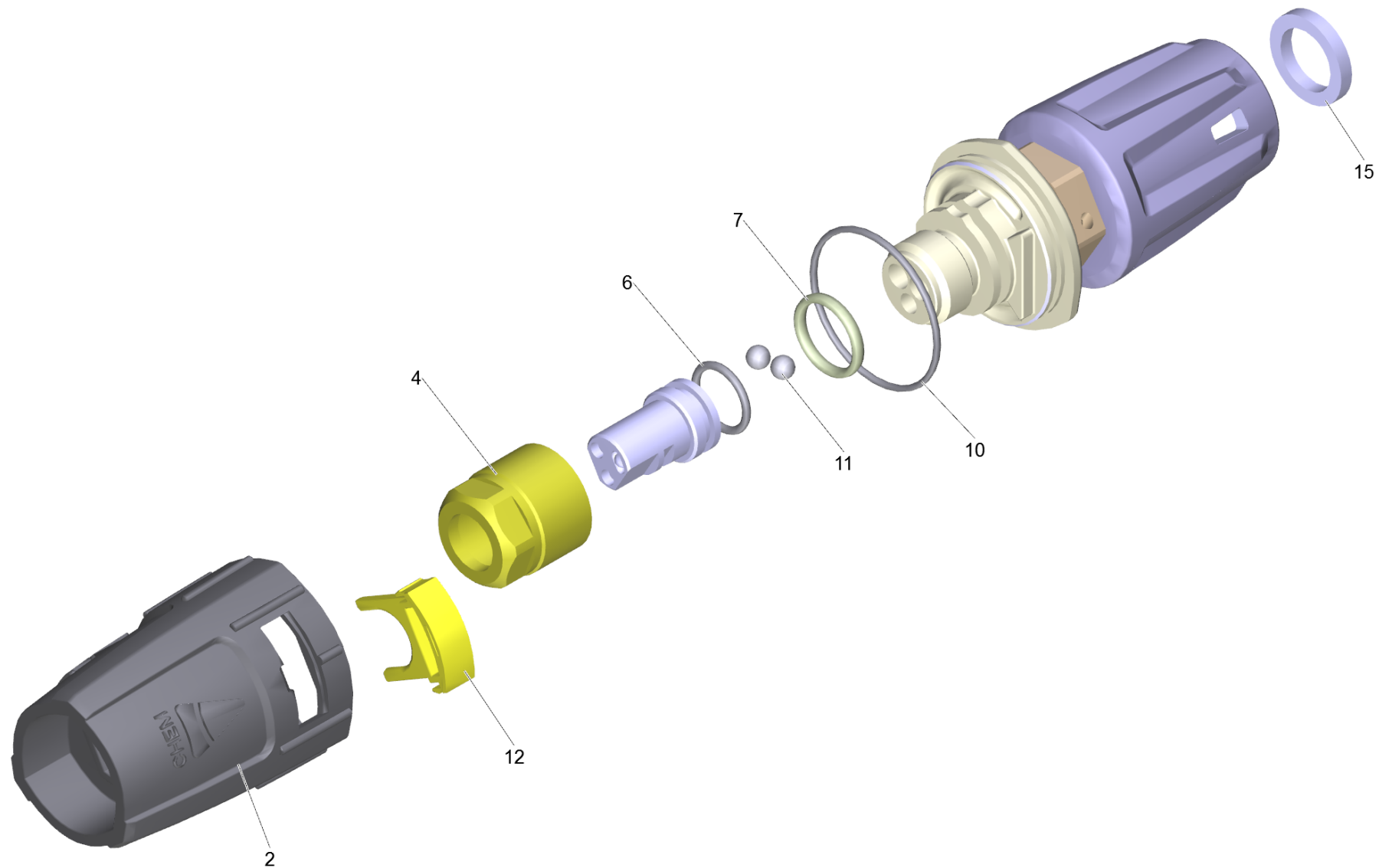


4 Electric control box HD-ST 7/16 230V

POS	Article no.	Description	Quantity	Unit	Foot note text
1	5.062-336.0	Housing electric control box	1	ST	
3	6.632-334.0	Power contactor LC1 D32 B7	1	ST	
4	6.631-190.0	Motor protecting switch	1	ST	
5	6.641-270.0	Plug	1	ST	
7	6.273-037.0	Seal string cellular rubber 3	0,8	M	
8	6.661-302.0	Interference suppressor triple-pole	1	ST	
9	6.630-049.0	Cap	1	ST	
14	5.321-692.0	Handle	1	ST	
15	5.363-616.0	Joint ring	1	ST	
16	5.064-413.0	Cover electric control box	1	ST	
18	7.303-085.0	Screw 4x 35 -10.9-R2R (K-In6Rd)	4	ST	
19		Tensioning part 13/14/7	2	ST	
21		Sheet metal screw ST3,9x45 -St-A2K-C-H I	2	ST	
22	5.802-261.0	Mounting part	1	ST	
23	6.651-506.0	Lens housing	1	ST	
24	6.651-505.0	Pilot lamp	1	ST	
25	6.984-610.0	Circuit board control system HD-ST	1	ST	
28	7.303-106.0	Screw 4x12 -10.9-R2R (IN6RD)	7	ST	
29	7.312-281.0	Washer 4 -200HV-A2E ISO7093-1	2	ST	
30	6.643-336.0	Strip terminal	2	ST	VERSION 1
30	6.643-471.0	Strip terminal with fuse	2	ST	VERSION 2
31	6.644-070.0	Fuse insert medium time-lag G-5,0A	2	ST	
32	6.650-139.0	Cable harness HD-ST EU II	1	ST	
35	6.649-441.0	Cable without plug	1	ST	
36	7.312-098.0	Washer 27 -PA6.6-Natur ISO 7089	1	ST	
37	6.303-245.0	Cylinder head screw 3X18-ST-A2E	1	ST	VERSION 1
37	7.306-045.0	Screw M2x20 -4.8-A2K DIN 84	1	ST	VERSION 2
41	7.303-119.0	Countersunk screw 3x10 -10.9-R2R (In6Rd)	1	ST	VERSION 2
42	5.013-470.0	Plate clamp	1	ST	VERSION 2

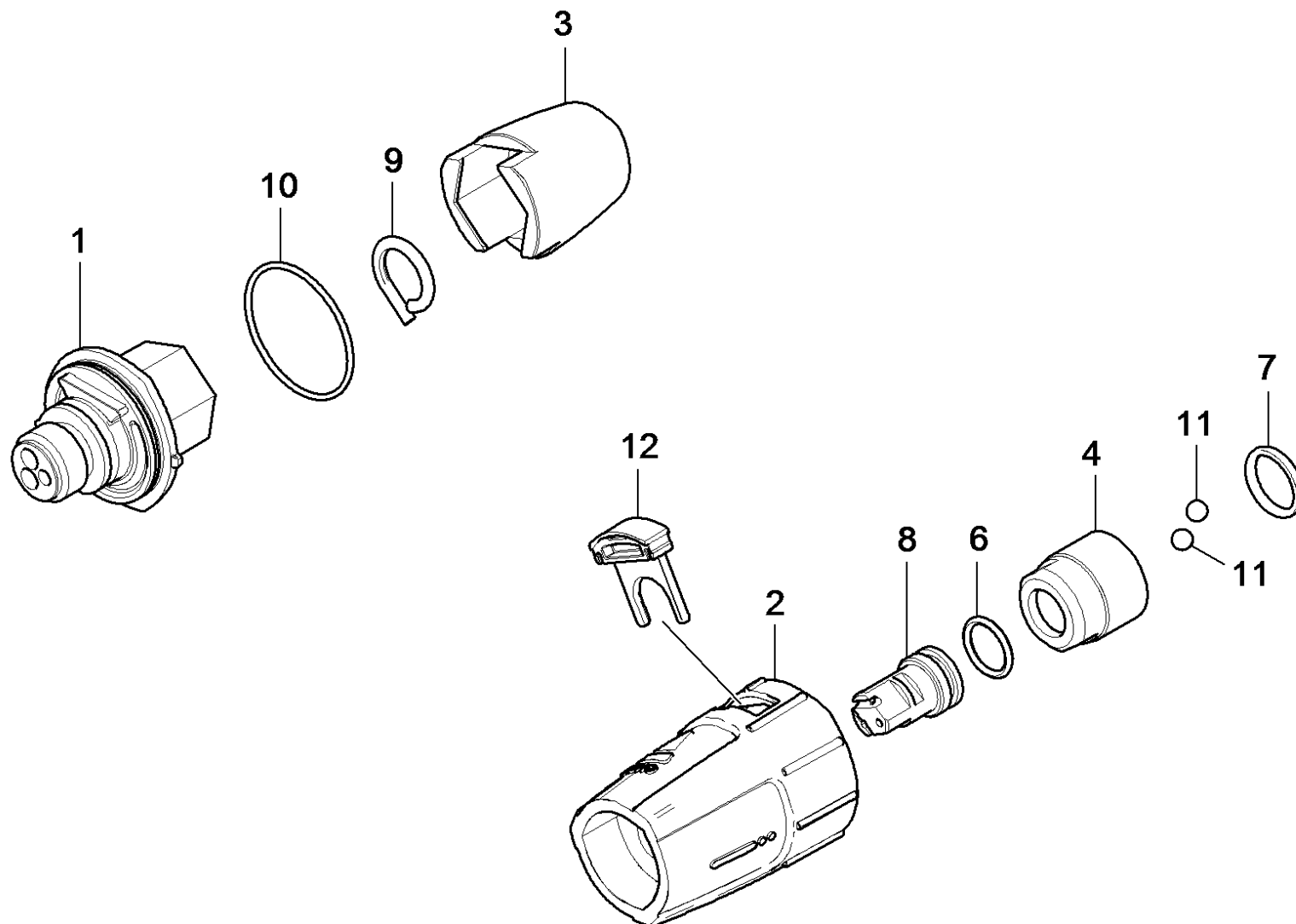
40 Triple jet nozzle TR 043 (4.117-035.0)

POS	Description	Quantity	Unit
1	Triple jet nozzle TR 043	1	ST



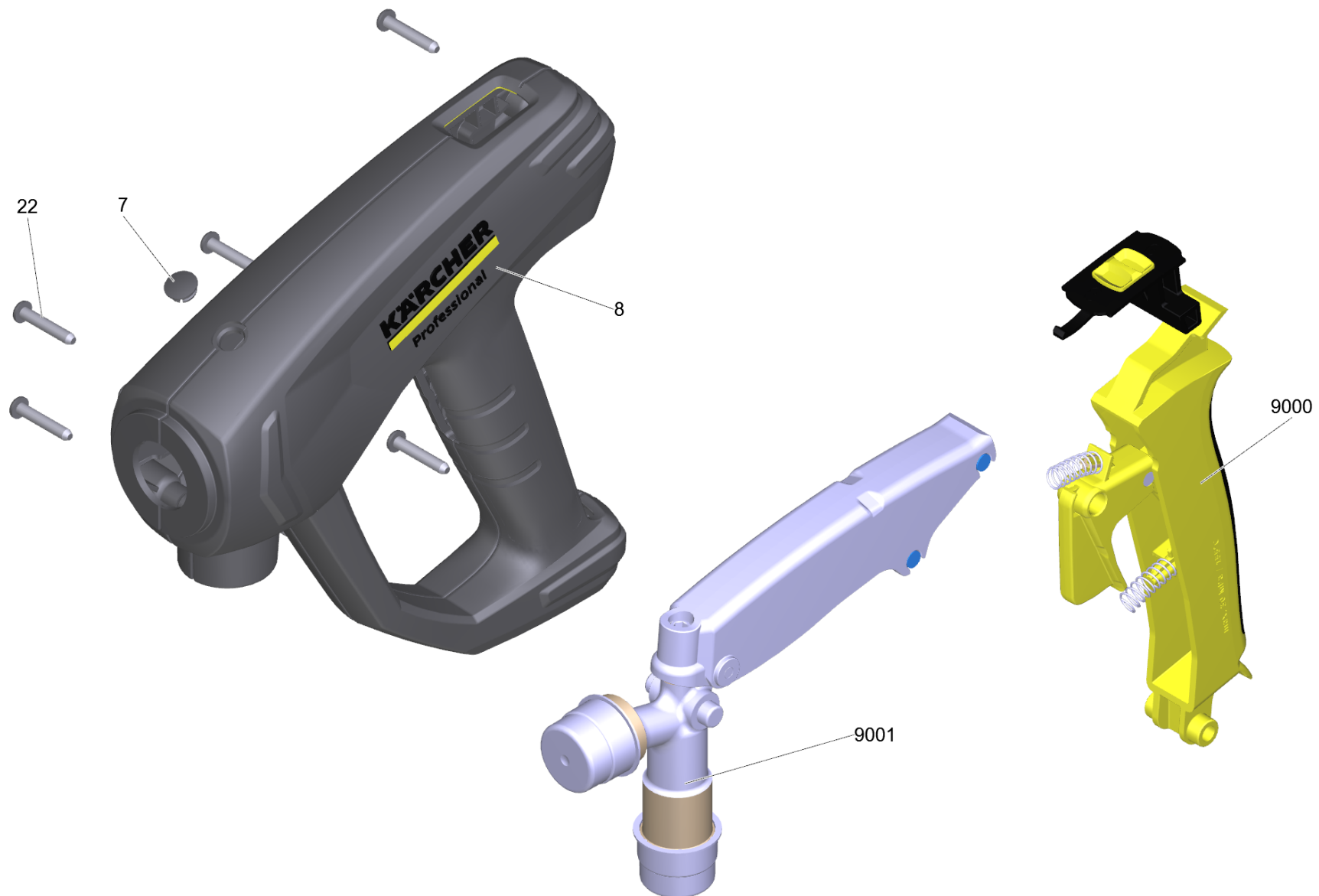
1 Triple jet nozzle TR 043

POS	Article no.	Description	Quantity	Unit
2	5.394-859.0	Protection part	1	ST
4	5.311-225.0	Nut	1	ST
6	6.362-480.0	O-Ring seal 12,42x 1,78	1	ST
7	6.362-460.0	O-Ring seal 14,0 X 2,5-NBR 70	1	ST
10	6.362-409.0	O-Ring seal 32,0 X 1,5	1	ST
11	7.401-902.0	Sphere 5 G20 -1.4034 DIN 5401	2	ST
12	5.321-884.0	Clamp	1	ST
15	6.363-696.0	Brake ring 14x20x3	1	ST



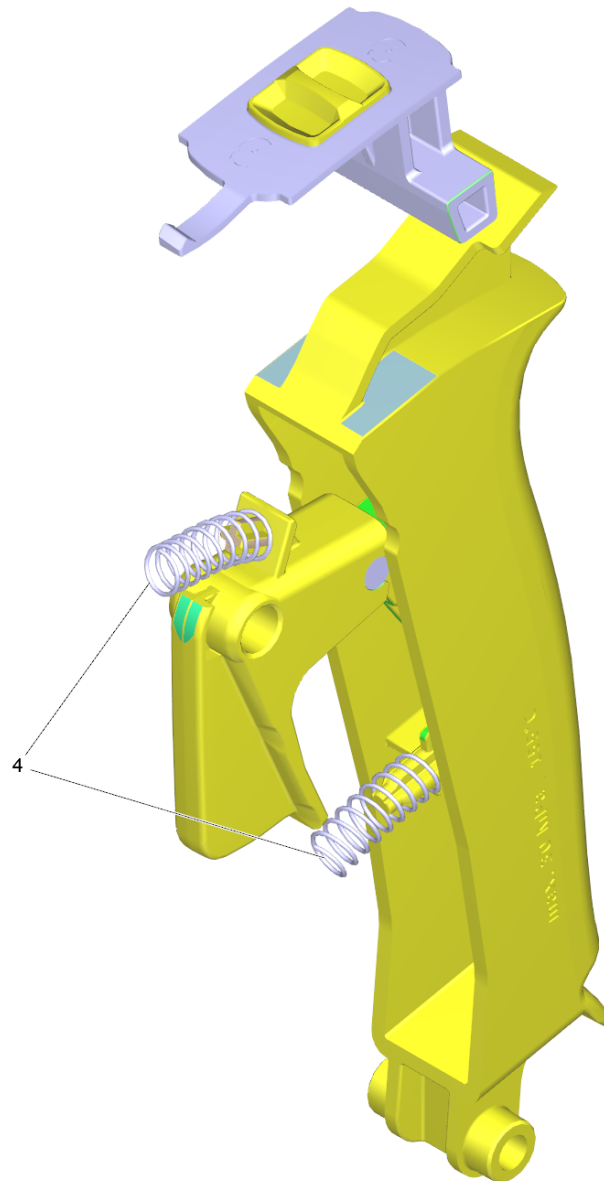
40 Triple jet nozzle only for replacement 0 (4.767-152.0)

POS	Article no.	Description	Quantity	Unit
1		Distributor	1	ST
2	5.394-859.0	Protection part	1	ST
3	5.394-530.0	Protection part complete	1	ST
4	5.311-225.0	Nut	1	ST
6	6.362-480.0	O-Ring seal 12,42x 1,78	1	ST
7	6.362-460.0	O-Ring seal 14,0 X 2,5-NBR 70	1	ST
8	5.415-605.0	Triple jet nozzle 043	1	ST
9	6.343-150.0	Pin 03	1	ST
10	6.362-409.0	O-Ring seal 32,0 X 1,5	1	ST
11	7.401-902.0	Sphere 5 G20 -1.4034 DIN 5401	2	ST
12	5.321-884.0	Clamp	1	ST



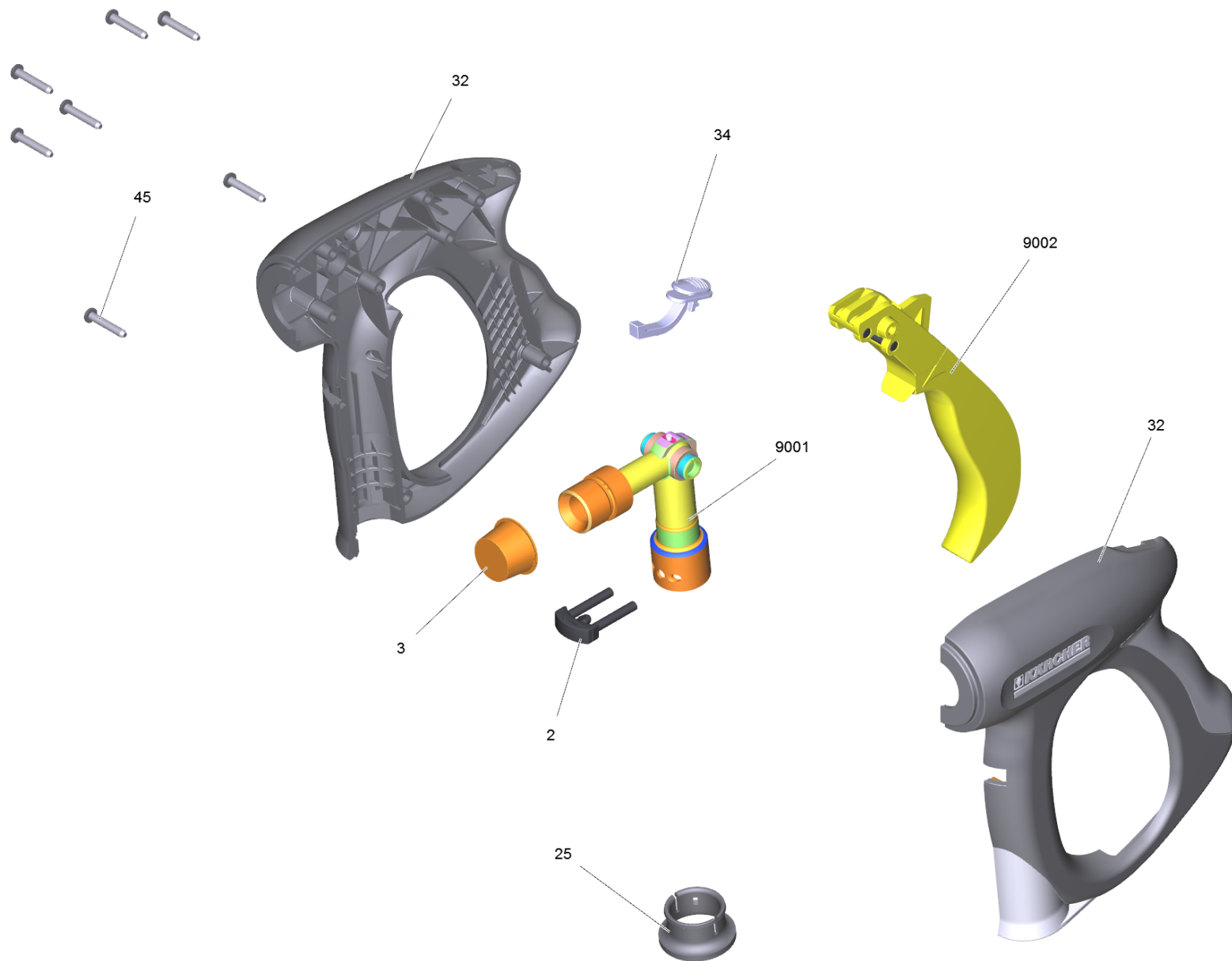
41 EASY!Force Advanced (4.118-005.0)

POS	Article no.	Description	Quantity	Unit
7	5.132-001.0	Plug	1	ST
8	5.321-136.3	Handhold few EH 155 only for replacement	1	ST
22	7.303-096.0	Screw 4x22 -ST-10.9-R2R (IN6RD)	7	ST
9000	2.885-483.0	Spare part set lever	1	ST
9001	4.427-014.0	Manifold TR EH 155 nur fuer Ersatz	1	ST



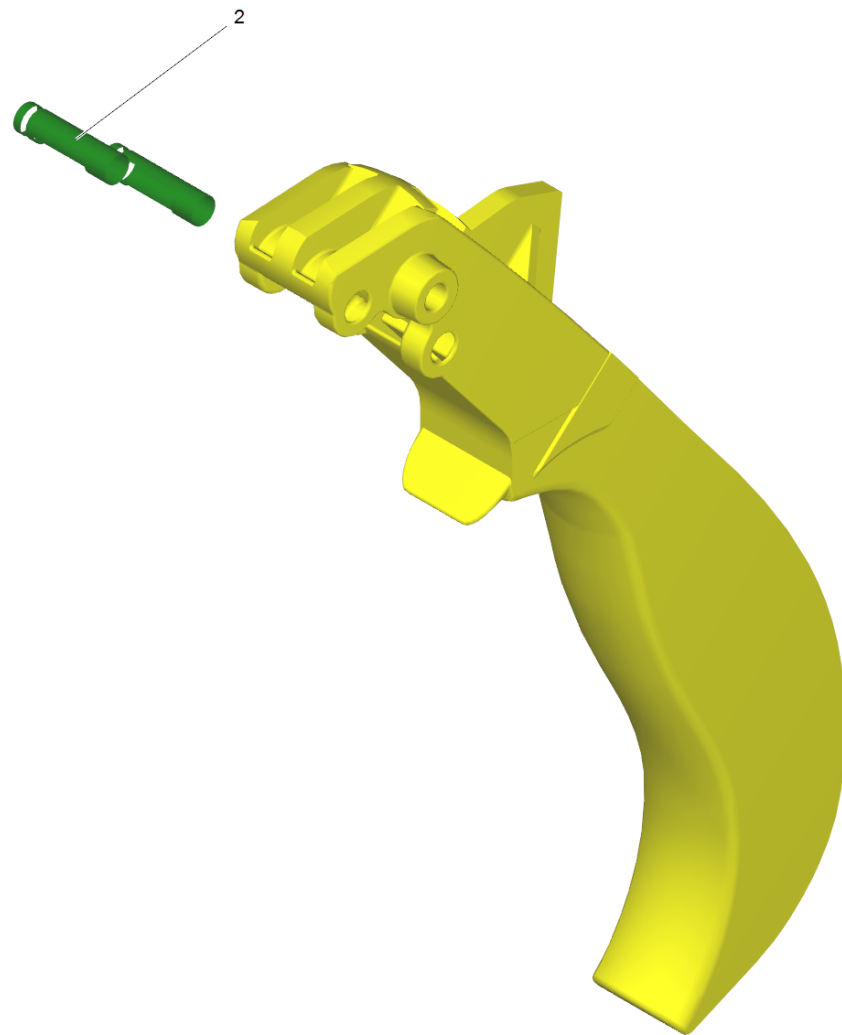
9000 Spare part set lever (2.885-483.0)

POS	Article no.	Description	Quantity	Unit
4	5.332-178.0	Helical spring	2	ST



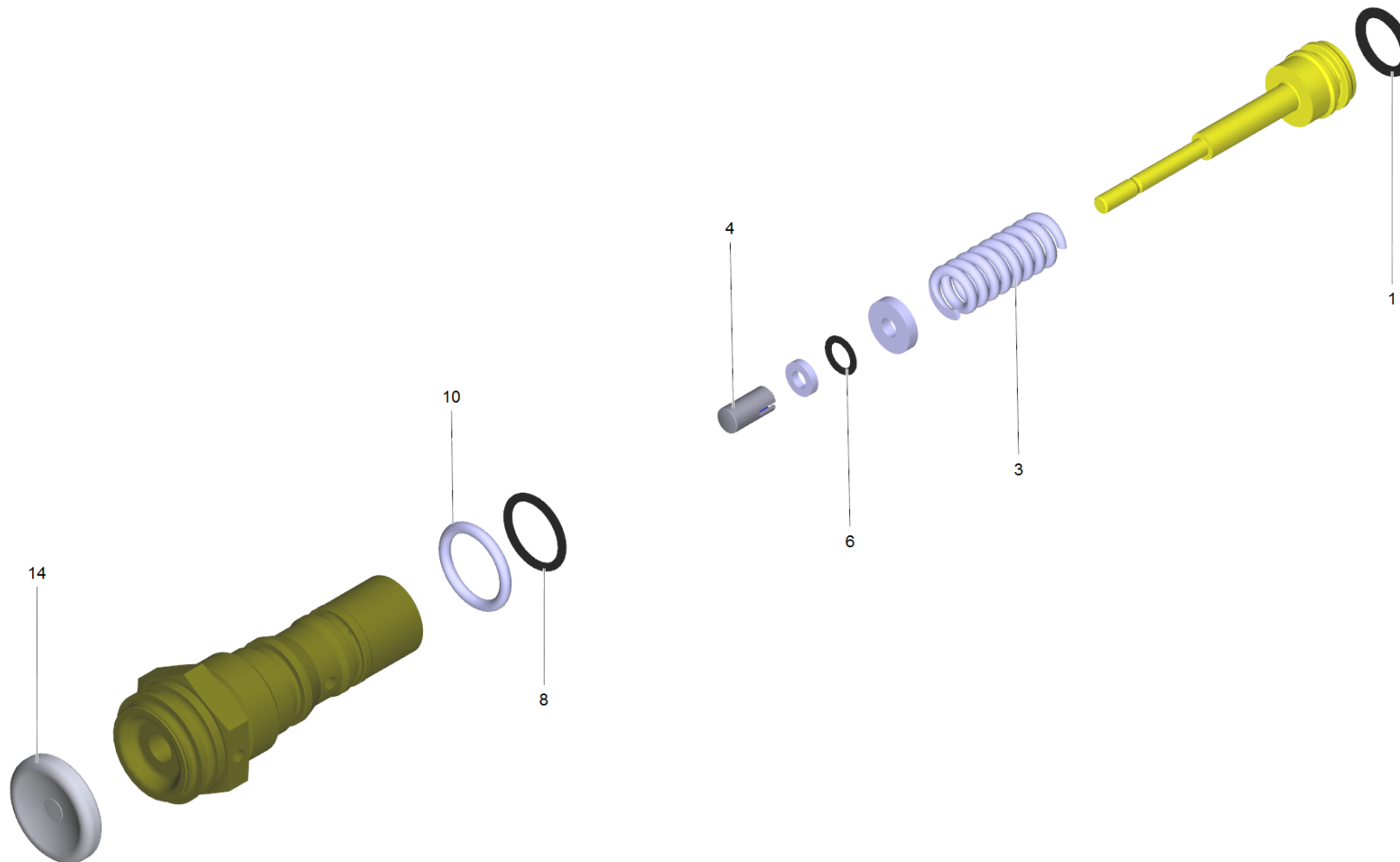
41 HAND TRIGGER GUN EASY PRESS (4.775-463.0)

POS	Article no.	Description	Quantity	Unit
2	4.037-013.0	Hook	1	ST
3	6.368-012.0	Protecting cap 22X1,5	1	ST
4	6.869-075.0	Metal bonding agent 1,5 ml	1	ST
cart_info_txt: This material is not available due to hazardous good regulation. Please procure this or a similar material from a local supplier of your choice.				
25	5.110-596.0	Sleeve	1	ST
32	5.321-669.3	Handhold few	1	ST
34	5.481-331.0	Slider	1	ST
45	7.303-096.0	Screw 4x22 -ST-10.9-R2R (IN6RD)	7	ST
1041	6.288-044.0	Silicon grease 100 G	1	ST
9001	4.427-215.0	Manifold complete only for replacement	1	ST
9002	4.481-209.0	Lever complete	1	ST



9002 Lever complete (4.481-209.0)

POS	Article no.	Description	Quantity	Unit
2	5.314-119.0	Pin	2	ST

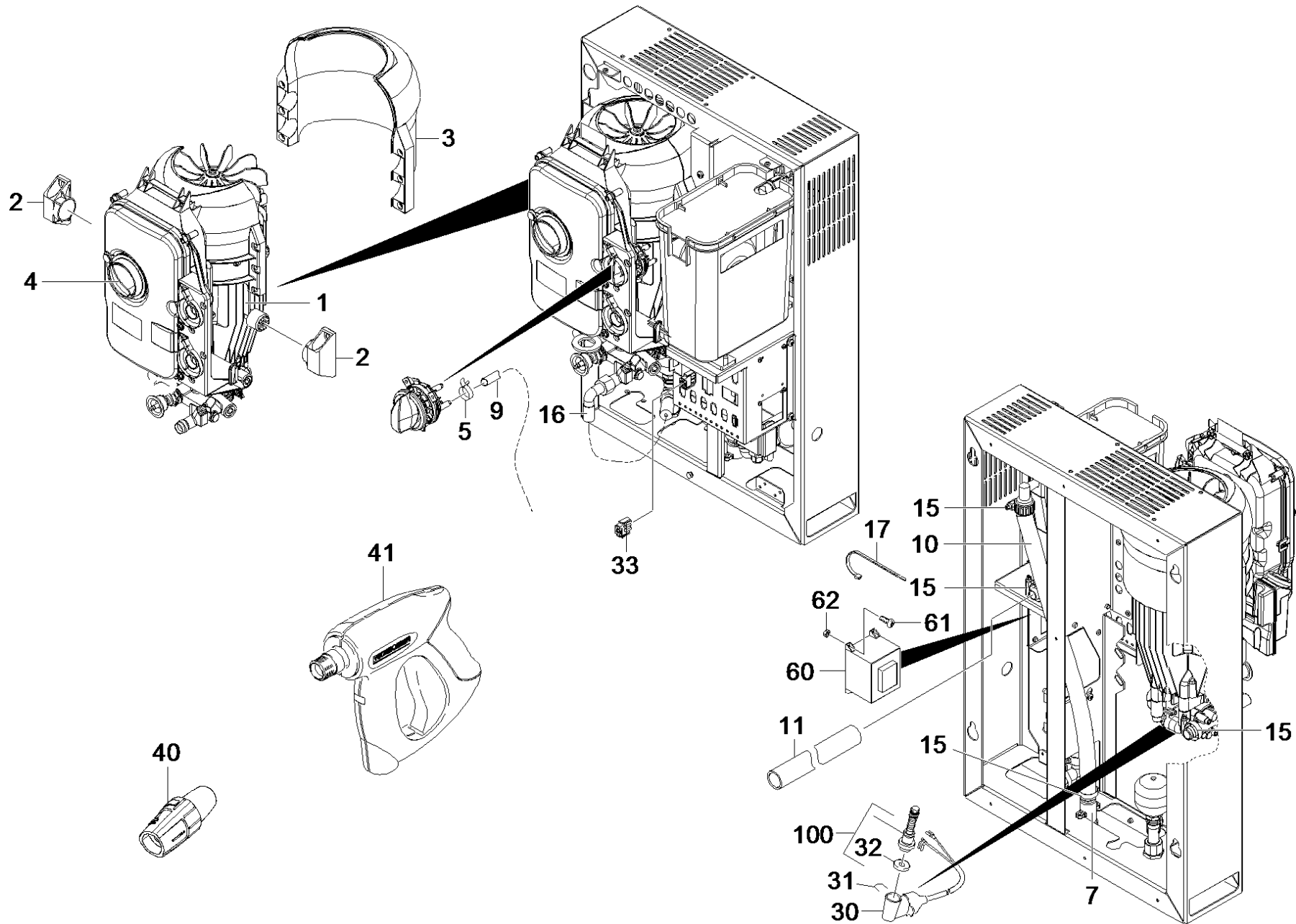


100 Spare part set control piston (2.885-226.0)

POS	Article no.	Description	Quantity	Unit
1	6.363-350.0	O-Ring seal 8.74x1.78	1	ST
3	5.332-511.0	Helical spring	1	ST
4	5.110-947.0	Sleeve	1	ST
6	6.363-330.0	O-Ring seal 2,9 x 1,78	1	ST
8	6.363-452.0	O-Ring seal 11 x 1,5	1	ST
10	6.363-519.0	O-Ring seal 12,00x 2,00	1	ST
14	5.367-030.0	Diaphragm	1	ST

24 Pump set complete HD 9/18-4 ST 230V

POS	Article no.	Description	Quantity	Unit
1000	2.532-015.3	Spare parts list pump set complete HD 9/	1	ST

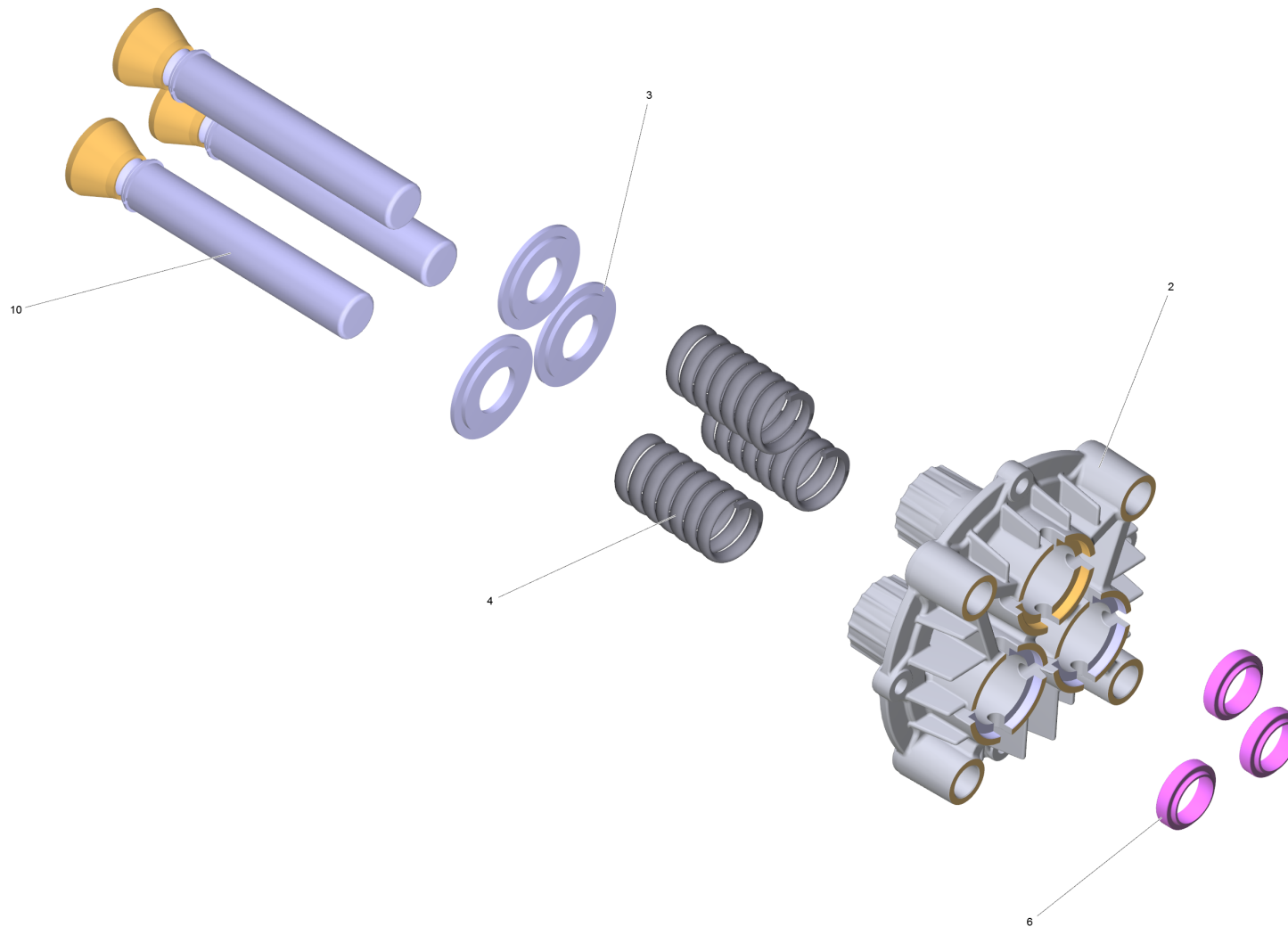


1000 Spare parts list pump set complete HD 9/ (2.532-015.3)

POS	Article no.	Description	Quantity	Unit	Remark
1	4.532-021.0	Pump set HD 9/18-4 ST 400V	1	ST	
2	5.044-998.0	Holder	2	ST	
3	2.885-228.0	Spare part set air circulation	1	ST	
4		Electric control box HD-ST 230V	1	ST	
5	6.390-133.0	Hose clip	2	ST	
6	7.306-190.0	Screw M6x8 -A2-70 (In6Rd)	2	ST	
7	5.427-432.0	Manifold	1	ST	
8	7.312-026.0	Washer 6 -A2 ISO 7089	2	ST	
9	6.388-247.0	Hose DN8 -PVC	1	M	
10	6.388-719.0	Hose DN17	1	M	
11	5.443-628.0	Hose	1	ST	
15	7.373-022.0	Hose clip A-16-27x9 -W2-2 DIN3017	4	ST	
16	6.392-198.0	Hose assembly DN8 40MPa 0,46m	1	ST	
17	6.641-465.0	Cable tape	1	ST	
30	4.744-242.0	Switch kpl. -nur für Ersatz-	1	ST	
31	5.034-494.0	Retaining bracket	1	ST	
32	5.367-030.0	Diaphragm	1	ST	
33	6.649-887.0	Plug triple dummy plug	1	ST	
40	4.117-039.0	Triple jet nozzle TR 055	1	ST	1.524-950.2
40	4.767-066.0	Triple jet nozzle 055	1	ST	1.524-500.2
41	4.118-005.0	EASY!Force Advanced	1	ST	1.524-950.2
41	4.775-463.0	HAND TRIGGER GUN EASY PRESS	1	ST	1.524-500.2
60	6.622-336.0	Control transformer 96VA - E178/40,5 230	1	ST	
61	7.306-058.0	Screw M 4X 12- 8.8-R2R K-IN6RD	4	ST	
62	7.311-569.0	Square nut M4 -04-A2E DIN 562	4	ST	
100	2.885-226.0	Spare part set control piston	1	ST	

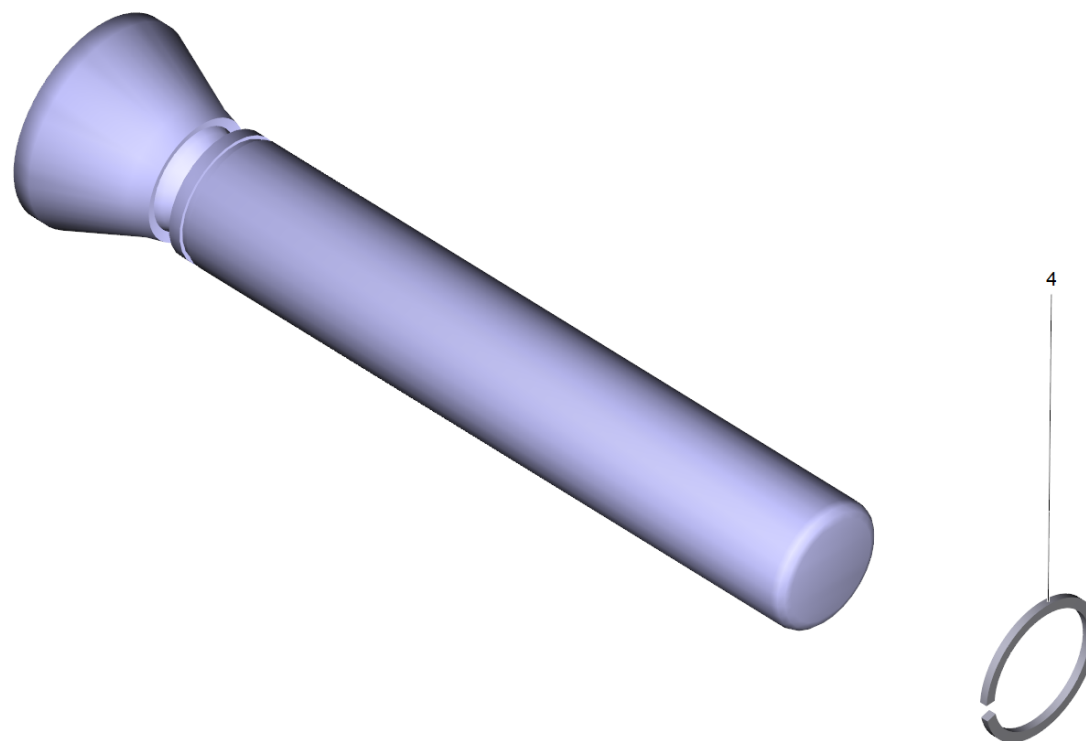
1 Pump set HD 9/18-4 ST 400V (4.532-021.0)

POS	Article no.	Description	Quantity	Unit
2		Thrust guidance complete	1	ST
3	4.624-071.0	Motor complete only for replacement HD 9	1	ST
4		Cylinder head complete HD 9/18-4 ST	1	ST
6	5.011-428.0	Plate bracket	1	ST
7	5.044-918.0	Retaining plate box oil	1	ST
8	5.064-457.0	Cover plate qusty grey oil	1	ST
9	5.070-658.0	Tank oil	1	ST
11	2.885-228.0	Spare part set air circulation	1	ST
14	6.643-151.0	Strip terminal one-pole 16mm ²	1	ZST
18	7.306-180.0	Screw M5x10-A2-70 (In6Rd)	1	ST
20	5.767-005.0	Rubber buffer	4	ST
21	5.365-341.0	Profile gasket long	1	ST
23	6.288-016.0	Gear oil 1L	1	ST
24		Silicon grease	0,005	ZST
26	6.362-722.0	O-Ring seal 28,0 X 3,0	1	ST
27	5.115-255.0	Washer	3	ST
32	5.112-866.0	Bush	3	ST
33	5.132-187.0	Plug	1	ST
45	4.820-578.0	Cable green/yellow 1,5mm ² x450mm	1	ST
50	7.303-031.0	Screw M4x10 -St-P2R (In6Rd)	1	ST
60	7.306-105.0	Screw M6x30 -8.8-R3R (In6Rd)	2	ST
65	7.306-155.0	Cylinder head screw M12x100 -8.8-A3E IS	4	ST
70	7.303-039.0	Screw M5x16 -St-P2R (In6Rd)	3	ST
100	2.885-318.0	Pump set HD 9/18 ST-H	1	ST



2 Thrust guidance complete

POS	Article no.	Description	Quantity	Unit
2	5.061-185.3	Thrust guidance	1	ST
3	5.116-310.0	Washer	3	ST
4	5.332-550.0	Helical spring	3	ST
5	6.288-016.0	Gear oil 1L	1	ST
6	6.365-052.0	Grooved ring 20X28X6/8	3	ST
10	4.553-279.0	Piston complete	3	ST

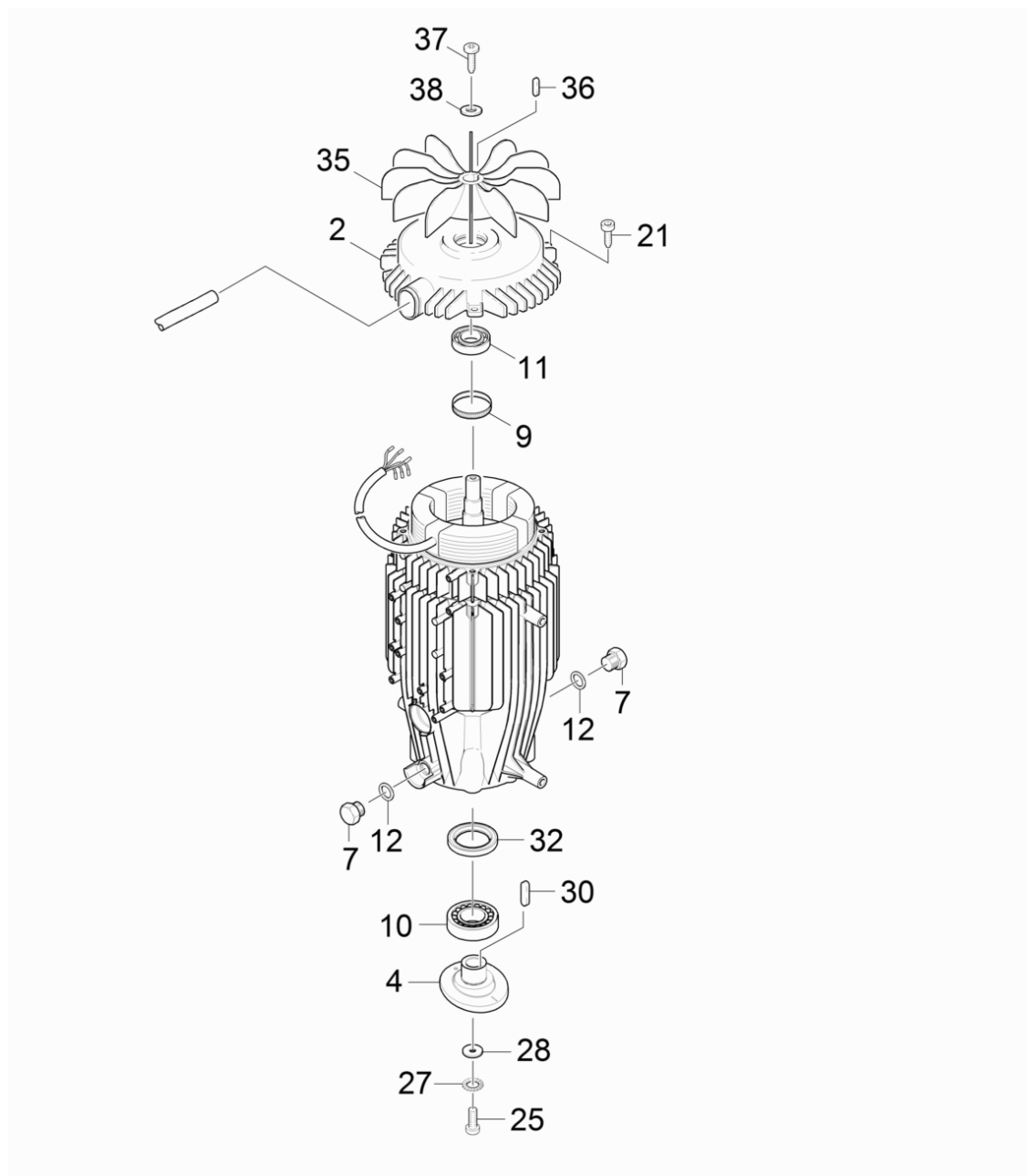


10 Piston complete (4.553-279.0)

POS	Article no.	Description	Quantity	Unit
4	6.472-331.0	Snap ring 20	1	ST

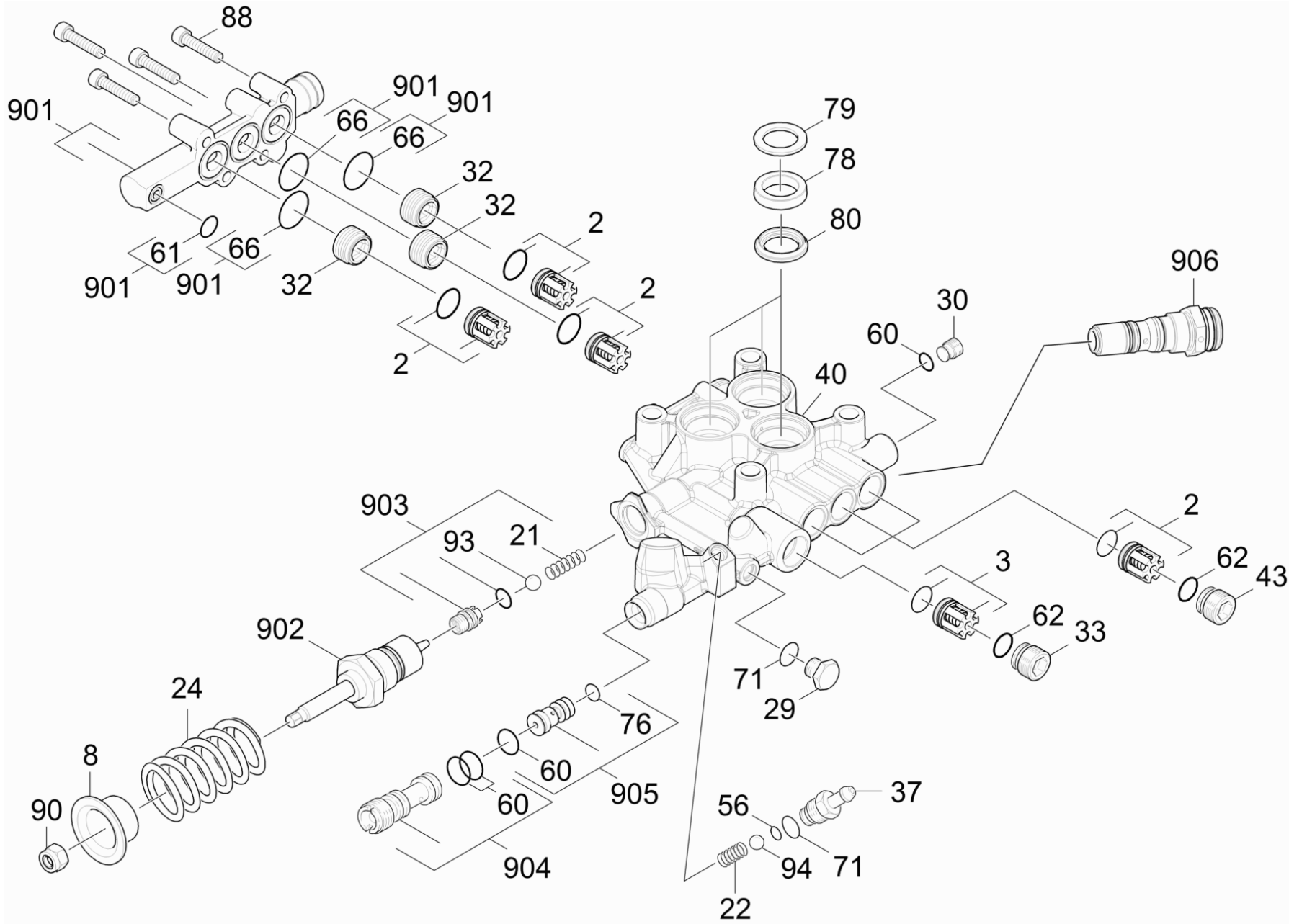
3 Motor complete only for replacement HD 9 (4.624-071.0)

POS	Description	Quantity	Unit
1	Motor complete HD 9/18-4ST 400V	1	ST



1 Motor complete HD 9/18-4ST 400V

POS	Article no.	Description	Quantity	Unit
2	5.063-707.0	Bearing cover B	1	ST
4	4.120-239.0	Wobble plate -nur für Ersatz-	1	ST
7	5.411-100.0	Screw plug	2	ST
9	6.343-171.0	Tolerance ring	1	ST
10	6.401-405.0	Taper roller bearing	1	ST
11	6.401-285.0	Ball bearing 6204 2RS	1	ST
12	6.363-498.0	O-Ring seal 11,0x2,0 HNBR	2	ST
21	7.303-048.0	Screw M6x20 -St-R3R (In6Rd)	4	ST
25	7.306-041.0	Cylinder head screw M8x20 -8.8-A2E ISO	1	ST
27	7.312-159.0	Toothed lock washer A8,4-FST-PH DIN 679	1	ST
28	5.115-565.0	Washer	1	ST
30	7.318-030.0	Parallel key 6x6x25 -C45K DIN 6885-1	1	ST
32	7.367-012.0	Radial shaft seal ring A35x52x7 -FKM DIN	1	ST
35	5.600-046.0	Blower wheel	1	ST
36	7.318-079.0	Parallel key A 5x5x25-C45K DIN 6885	1	ST
37	7.312-260.0	Washer 6 -100HV-A3E ISO 7094	1	ST
38	7.306-092.0	Screw M6x20-ST- 8.8-R3R (IN6RD)	1	ST

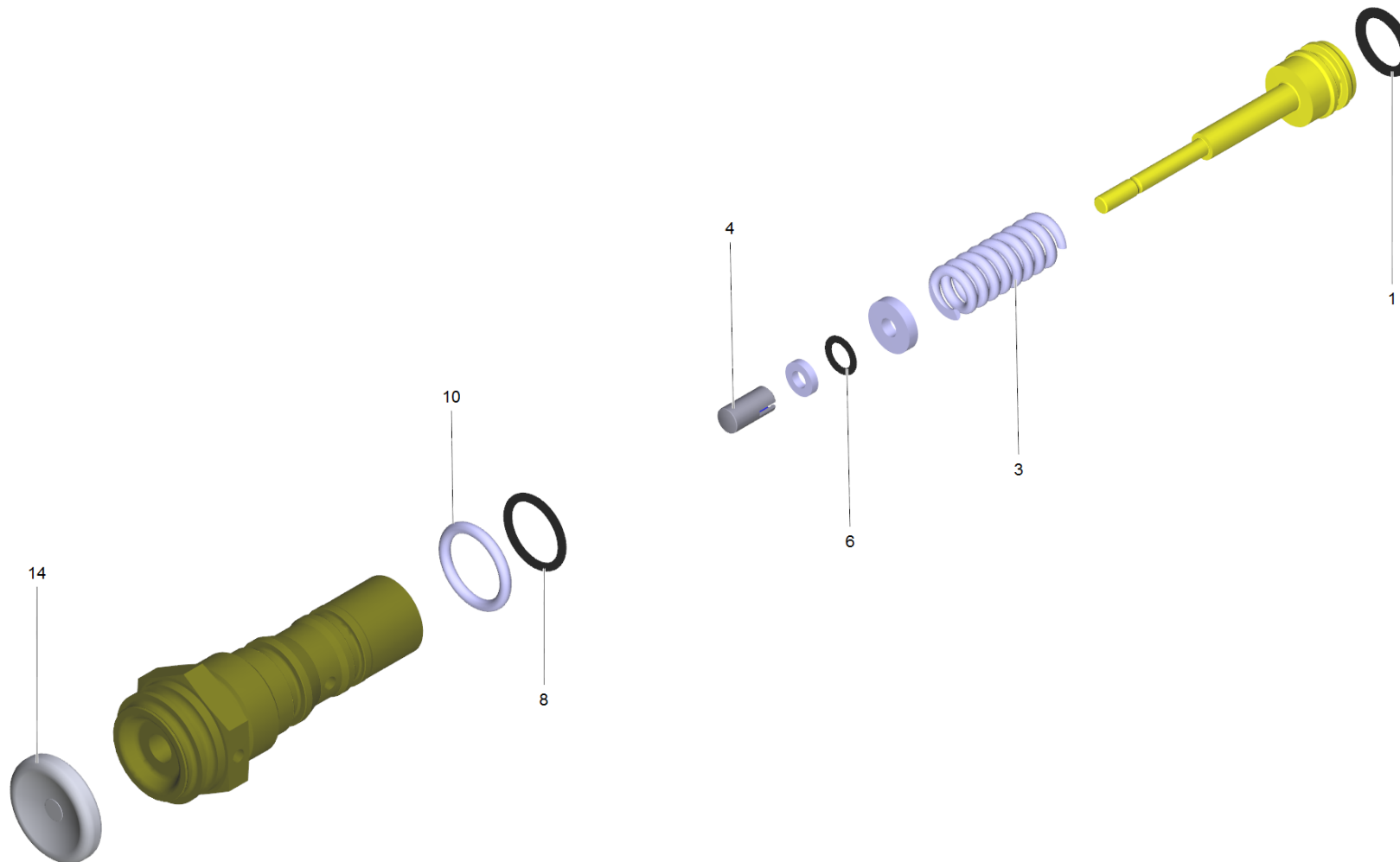


4 Cylinder head complete HD 9/18-4 ST

POS	Article no.	Description	Quantity	Unit
2		Part at pump set	1	ST
3		Part at pump set	1	ST
8	5.112-757.0	Bush	1	ST
21	5.332-999.0	Helical spring	1	ST
22	5.332-258.0	Helical spring	1	ST
24	5.332-530.0	Helical spring	1	ST
25		Silicon grease	0,005	ZST
29	5.411-070.0	Screw plug	1	ST
30	5.411-152.0	Screw plug	1	ST
32	5.583-177.0	Valve screw M20x1	3	ST
33	5.411-166.0	CLOSING SCREW	1	ST
37	5.443-370.0	Nipple	1	ST
40	4.550-977.0	Spare part set cylinder head	1	ST
43	5.583-146.3	Valve screw	3	ST
56	6.363-597.0	O-Ring seal 5,28 x 1,78	1	ST
58	6.362-445.0	O-Ring seal 16,0 X 2,4-NBR 80	1	ST
60	6.362-384.0	O-Ring seal 9x1,5 - NBR 70	4	ST
61		Part at pump set	1	ST
62		Part at pump set	1	ST
66		Part at pump set	1	ST
71		Part at pump set	1	ST
76	6.363-282.0	O-Ring seal 6,3x2,4-NBR 70	1	ST
78		Part at pump set	1	ST
79	6.365-379.0	Supportring	3	ST
80	6.365-378.0	Supportring 20x30x4,2	3	ST
88	7.306-019.0	Cylinder head screw M8x35 -A4-70 ISO 47	4	ST
90	7.311-510.0	Hexagon nut M 8-8-A2E ISO 7040	1	ST
93	7.401-907.0	Sphere 3/8 G200-1.4301 DIN 5401	1	ST
94	7.401-908.0	Sphere 7 G300 -1.4301 DIN 5401	1	ST
901	4.064-024.0	Suction cover complete only for replacem	1	ST
902	2.885-227.0	Spare part set overflow valve	1	ST
903	4.481-256.0	Valve seat complete	1	ST
904	4.769-054.0	Nozzle insert kpl.	1	ST

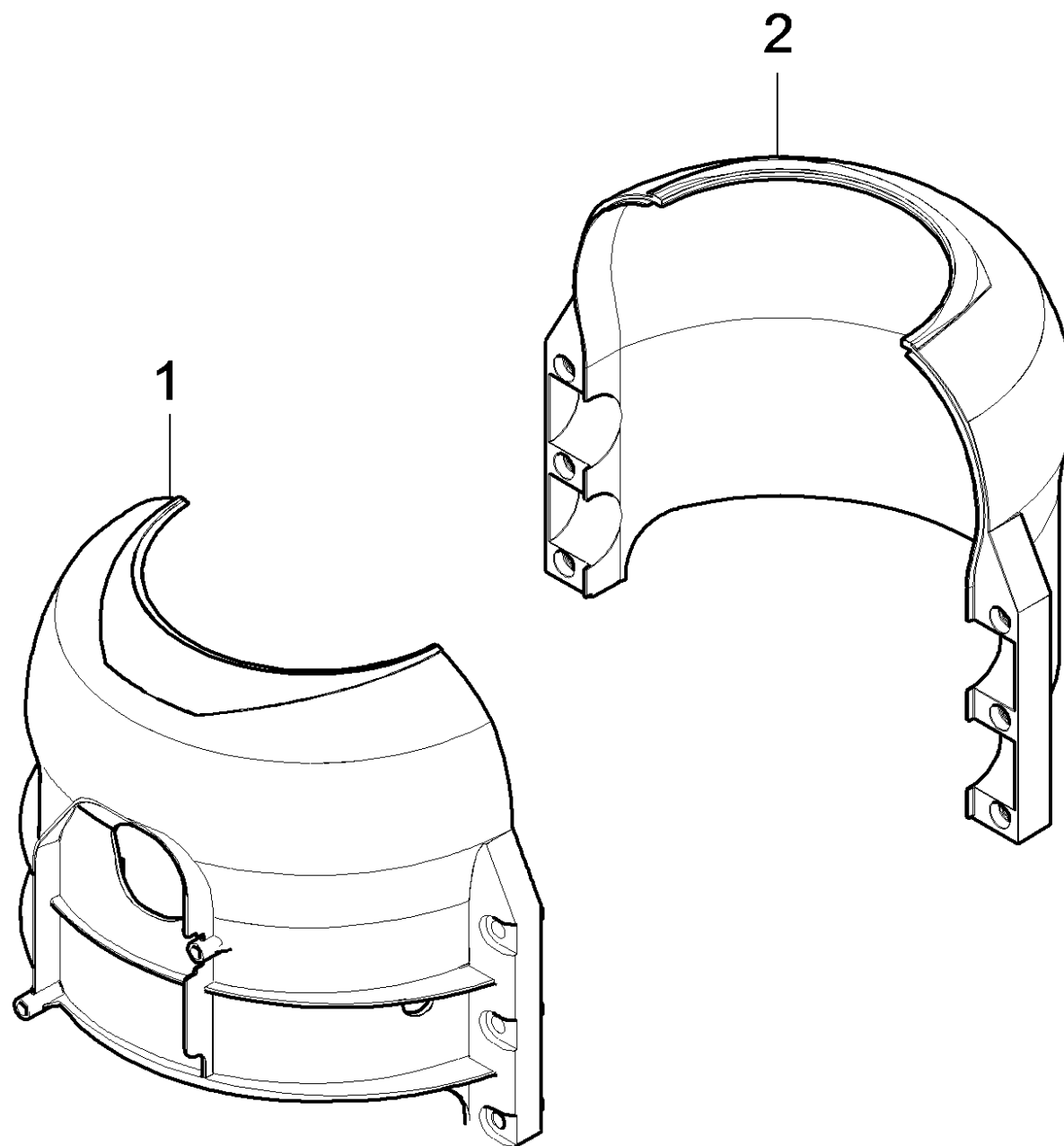
4 Cylinder head complete HD 9/18-4 ST

POS	Article no.	Description	Quantity	Unit
905	2.885-230.0	Spare part set nozzle insert only for re	1	ST
906	2.885-226.0	Spare part set control piston	1	ST



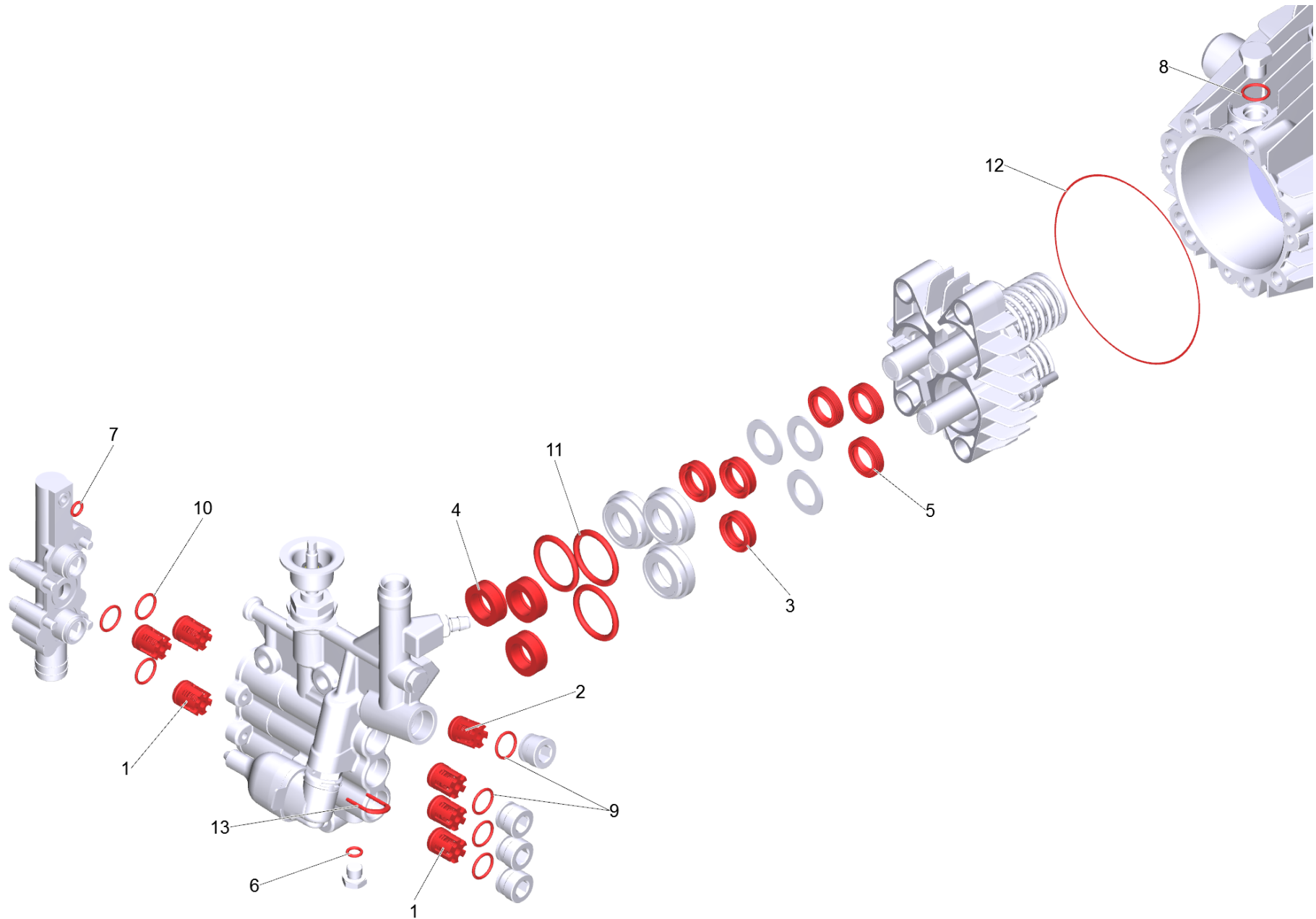
906 Spare part set control piston (2.885-226.0)

POS	Article no.	Description	Quantity	Unit
1	6.363-350.0	O-Ring seal 8.74x1.78	1	ST
3	5.332-511.0	Helical spring	1	ST
4	5.110-947.0	Sleeve	1	ST
6	6.363-330.0	O-Ring seal 2,9 x 1,78	1	ST
8	6.363-452.0	O-Ring seal 11 x 1,5	1	ST
10	6.363-519.0	O-Ring seal 12,00x 2,00	1	ST
14	5.367-030.0	Diaphragm	1	ST



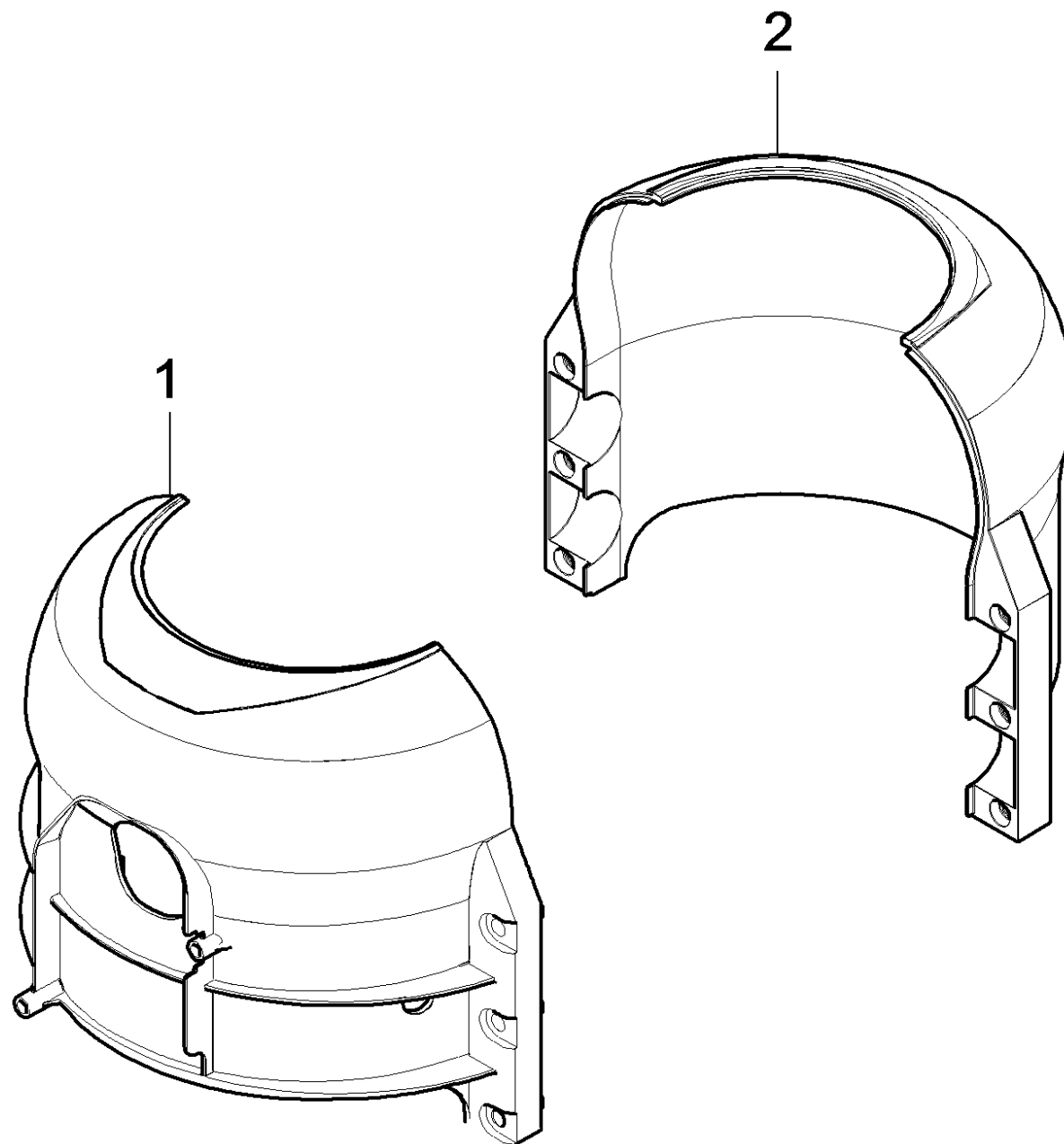
11 Spare part set air circulation (2.885-228.0)

POS	Description	Quantity	Unit
1	Air circulation front	1	ST
2	Air circulation rear	1	ST



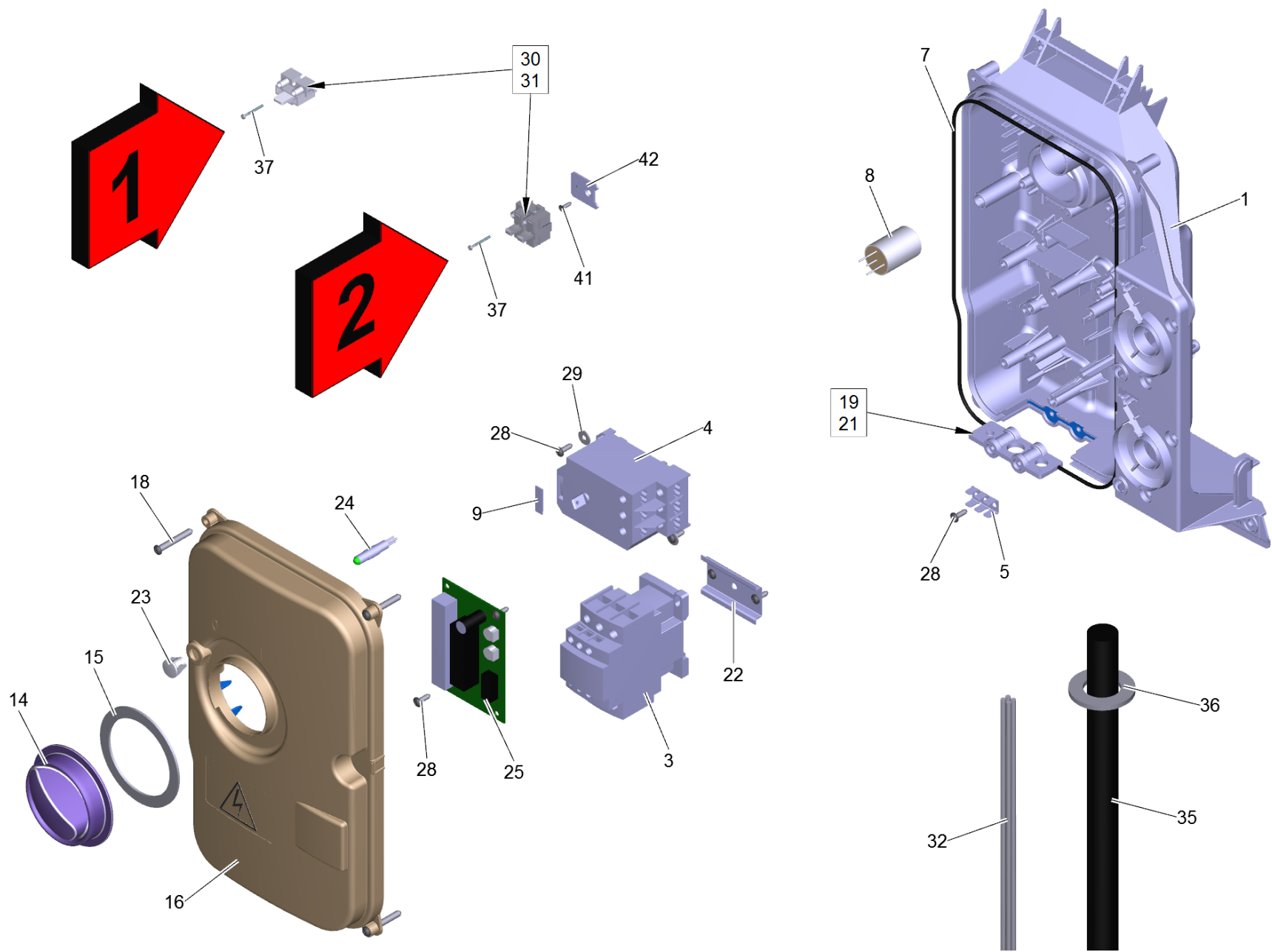
100 Pump set HD 9/18 ST-H (2.885-318.0)

POS	Article no.	Description	Quantity	Unit
1	2.885-139.0	Valve (3Stueck)	2	ST
2	4.580-734.0	Valve complete	1	ST
3	2.885-431.0	Set of gaskets ND PTFE 3x	1	ST
4	2.885-235.0	Set of gaskets high pressure W1 (3 Stuec	1	ST
5	6.365-436.0	Grooved ring 20X28X7/6	3	ST
6	6.363-496.0	O-Ring seal 7,0x2,0	3	ST
7	6.363-492.0	O-Ring seal 8,0x1,5	1	ST
8	6.363-498.0	O-Ring seal 11,0x2,0 HNBR	1	ST
9	6.363-459.0	O-Ring seal 14 x 2	4	ST
10	6.363-494.0	O-Ring seal 20,0x1,5	3	ST
11	6.363-548.0	O-Ring seal 32,0 x 2,0	3	ST
12	6.363-501.0	O-Ring seal 101,27x2,62 HNBR	1	ST
13	5.034-494.0	Retaining bracket	1	ST
14	6.288-072.0	Silicon grease	1	ST



3 Spare part set air circulation (2.885-228.0)

POS	Description	Quantity	Unit
1	Air circulation front	1	ST
2	Air circulation rear	1	ST

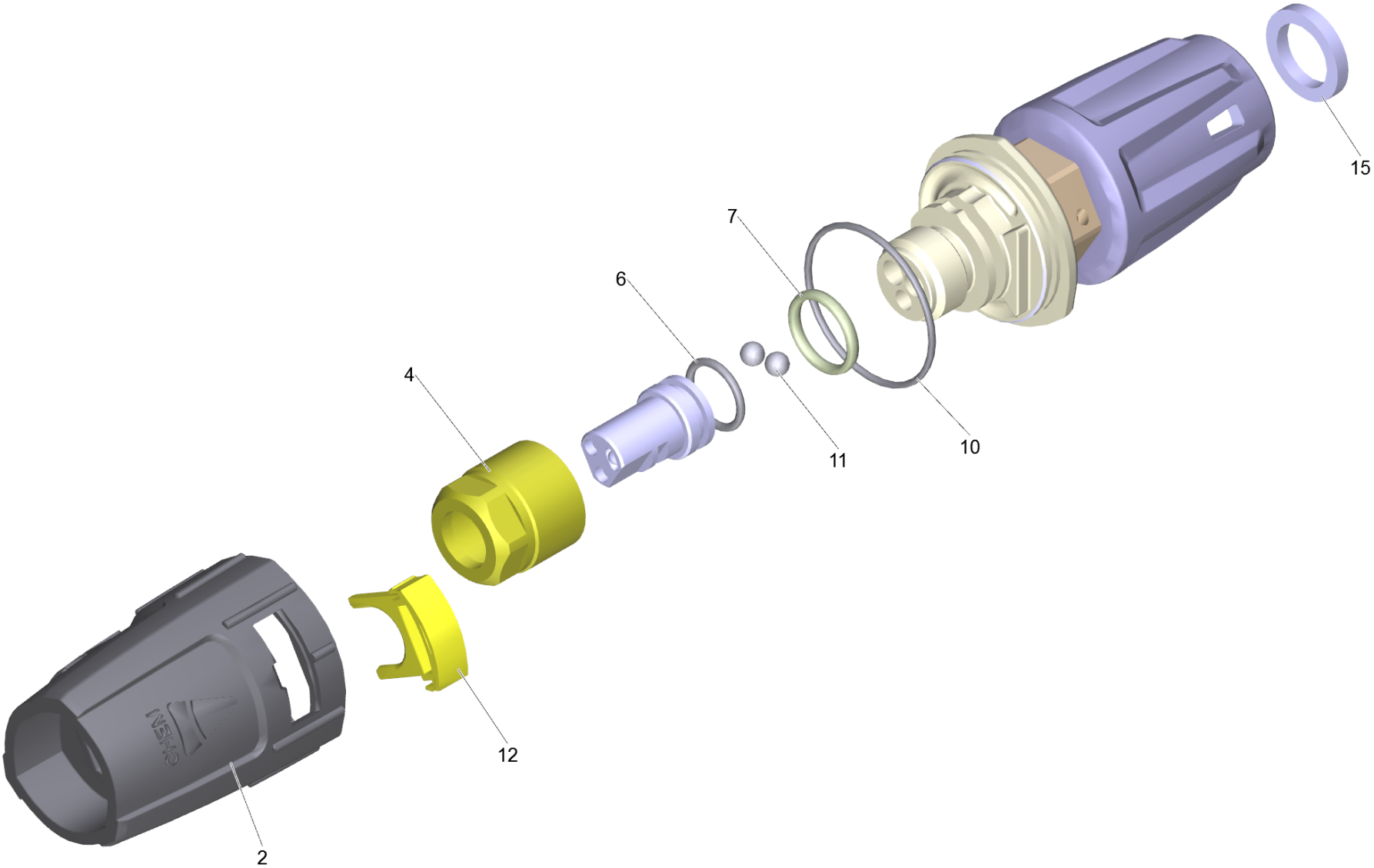


4 Electric control box HD-ST 230V

POS	Article no.	Description	Quantity	Unit	Foot note text
1	5.062-336.0	Housing electric control box	1	ST	
3	6.632-334.0	Power contactor LC1 D32 B7	1	ST	
4	6.631-428.0	Motor protecting switch -22-27A	1	ST	
5	6.641-270.0	Plug	1	ST	
7	6.273-037.0	Seal string cellular rubber 3	0,8	M	
8	6.661-302.0	Interference suppressor triple-pole	1	ST	
9	6.630-049.0	Cap	1	ST	
14	5.321-692.0	Handle	1	ST	
15	5.363-616.0	Joint ring	1	ST	
16	5.064-413.0	Cover electric control box	1	ST	
18	7.303-085.0	Screw 4x 35 -10.9-R2R (K-In6Rd)	4	ST	
19		Tensioning part 13/14/7	2	ST	
21		Sheet metal screw ST3,9x45 -St-A2K-C-H I	2	ST	
22	5.802-261.0	Mounting part	1	ST	
23	6.651-506.0	Lens housing	1	ST	
24	6.651-505.0	Pilot lamp	1	ST	
25	6.984-610.0	Circuit board control system HD-ST	1	ST	
28	7.303-106.0	Screw 4x12 -10.9-R2R (IN6RD)	7	ST	
29	7.312-281.0	Washer 4 -200HV-A2E ISO7093-1	2	ST	
30	6.643-336.0	Strip terminal	2	ST	VERSION 1
30	6.643-471.0	Strip terminal with fuse	2	ST	VERSION 2
31	6.644-070.0	Fuse insert medium time-lag G-5,0A	2	ST	
32	6.650-139.0	Cable harness HD-ST EU II	1	ST	
35	6.649-441.0	Cable without plug	1	ST	
36	7.312-098.0	Washer 27 -PA6.6-Natur ISO 7089	1	ST	
37	6.303-245.0	Cylinder head screw 3X18-ST-A2E	1	ST	VERSION 1
37	7.306-045.0	Screw M2x20 -4.8-A2K DIN 84	1	ST	VERSION 2
41	7.303-119.0	Countersunk screw 3x10 -10.9-R2R (In6Rd)	1	ST	VERSION 2
42	5.013-470.0	Plate clamp	1	ST	VERSION 2

40 Triple jet nozzle TR 055 (4.117-039.0)

POS	Description	Quantity	Unit
1	Triple jet nozzle TR 055	1	ST



1 Triple jet nozzle TR 055

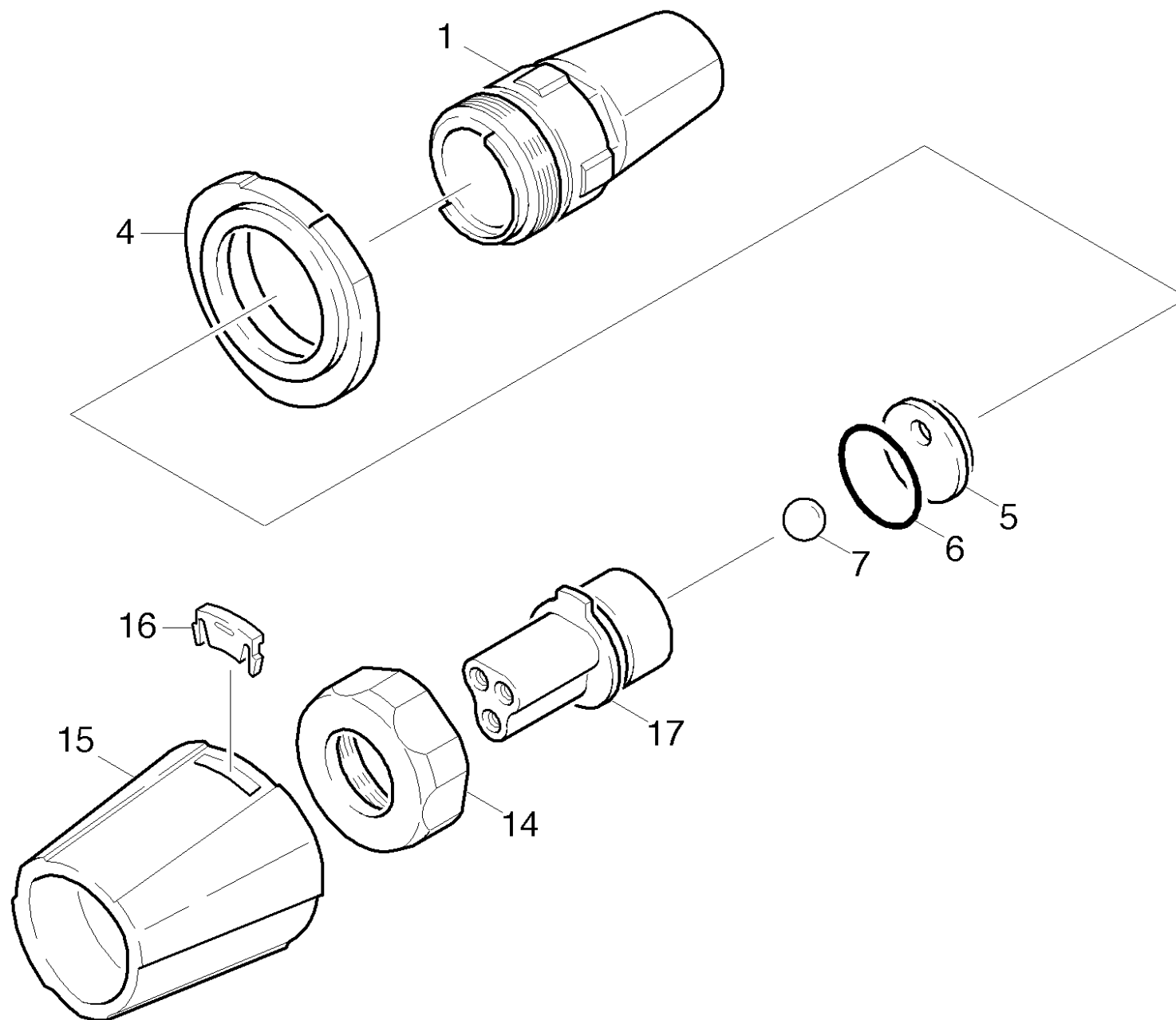
POS	Article no.	Description	Quantity	Unit
2	5.394-859.0	Protection part	1	ST
4	5.311-225.0	Nut	1	ST
6	6.362-480.0	O-Ring seal 12,42x 1,78	1	ST
7	6.362-460.0	O-Ring seal 14,0 X 2,5-NBR 70	1	ST
10	6.362-409.0	O-Ring seal 32,0 X 1,5	1	ST
11	7.401-902.0	Sphere 5 G20 -1.4034 DIN 5401	2	ST
12	5.321-884.0	Clamp	1	ST
15	6.363-696.0	Brake ring 14x20x3	1	ST

40 Triple jet nozzle 055 (4.767-066.0)

POS	Article no.	Description	Quantity	Unit
2	5.970-000.0	Spare parts list triple jet nozzle	1	ST
Item text2: 47670660				

2 Spare parts list triple jet nozzle (5.970-000.0)

POS	Description	Quantity	Unit
10	Triple jet nozzle	1	ST

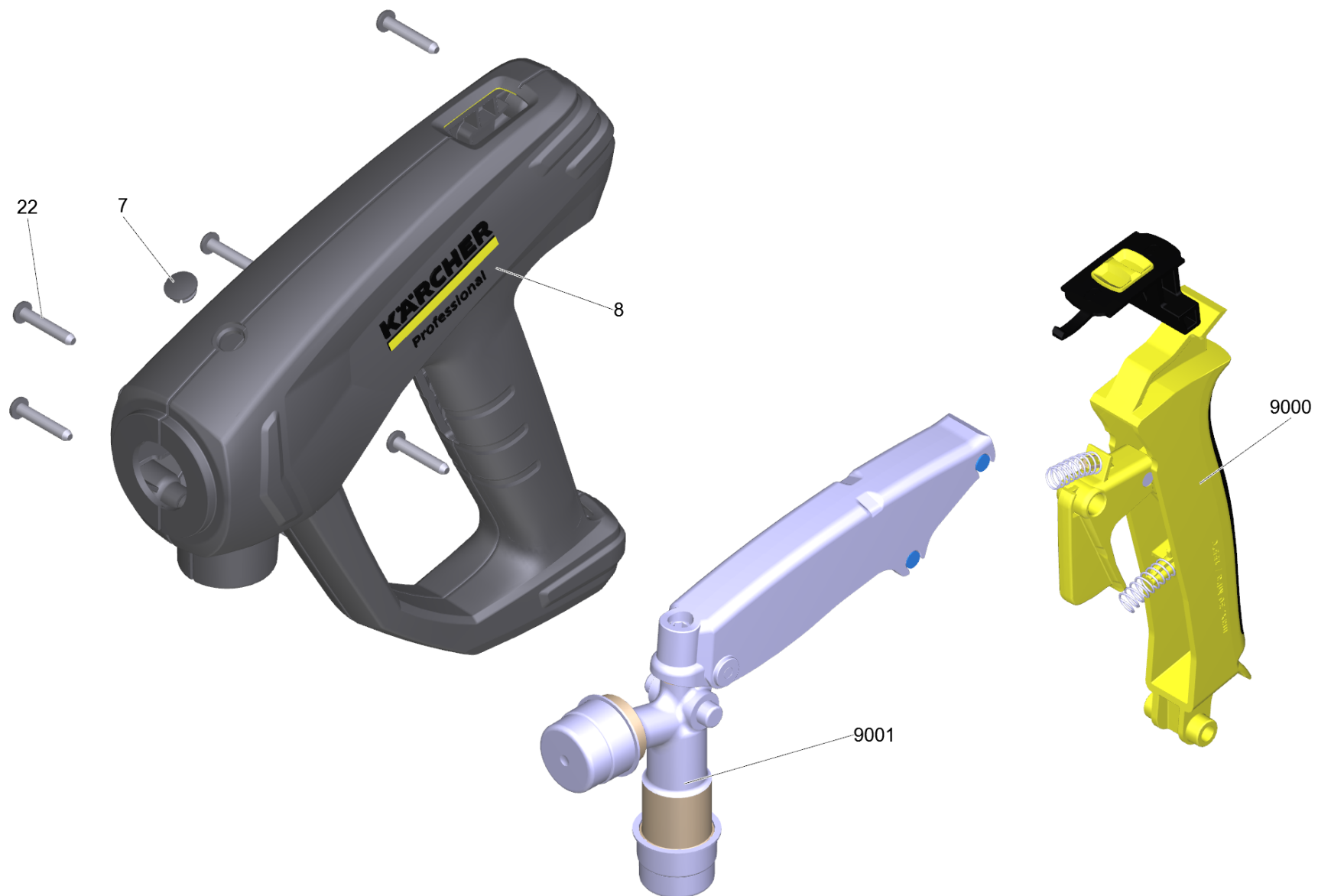


10 Triple jet nozzle

POS	Article no.	Description	Quantity	Unit	Remark
1	4.060-395.0	Housing complete only for replacement	1	ST	
4	5.394-401.0	Protection part	1	ST	
5	5.031-370.0	Moulded part	1	ST	
6	6.363-612.0	O-Ring seal 22 x 2 -NBR90	1	ST	
7	7.401-917.0	Sphere 10,0 G100-1.4301 DIN 5401	1	ST	
14	5.311-192.0	Union nut	1	ST	
15	5.394-402.0	Protection part	1	ST	
16	5.031-709.0	Moulded part	1	ST	
17	4.764-157.0	Nozzle holder 047	1	ST	4.767-064.0
17	4.764-158.0	Nozzle holder 05	1	ST	4.767-065.0
17	4.764-159.0	Nozzle holder 055	1	ST	4.767-066.0
17	4.764-161.0	Nozzle holder 08	1	ST	4.767-068.0
17	4.764-169.0	Nozzle holder 09	1	ST	4.767-075.0
17	4.764-173.0	Nozzle holder 0100	1	ST	4.767-106.0
17	7.777-999.0	Stockpiling discontinued	1	ST	4.767-067.0/-069.0

17 Nozzle holder 055 (4.764-159.0)

POS	Article no.	Description	Quantity	Unit
1	5.031-597.0	Rectifier	2	ST
	Item text2: 47641590			
7	6.362-661.0	O-Ring seal 5,0 X 1,0-NBR 80	3	ST
	Item text2: 47641590			
8	6.363-612.0	O-Ring seal 22 x 2 -NBR90	1	ST
	Item text2: 47641590			

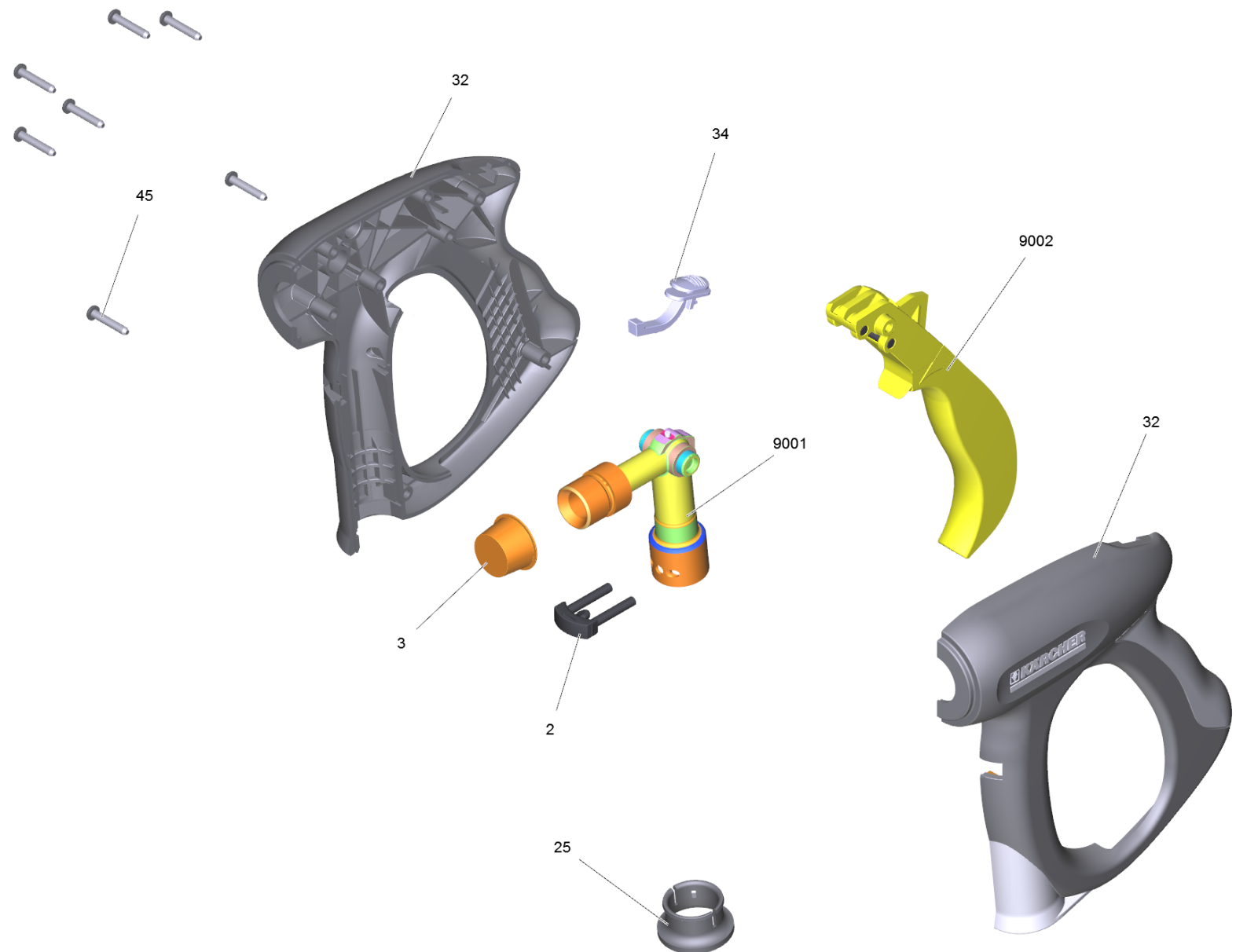


41 EASY!Force Advanced (4.118-005.0)

POS	Article no.	Description	Quantity	Unit
7	5.132-001.0	Plug	1	ST
8	5.321-136.3	Handhold few EH 155 only for replacement	1	ST
22	7.303-096.0	Screw 4x22 -ST-10.9-R2R (IN6RD)	7	ST
9000	2.885-483.0	Spare part set lever	1	ST
9001	4.427-014.0	Manifold TR EH 155 nur fuer Ersatz	1	ST

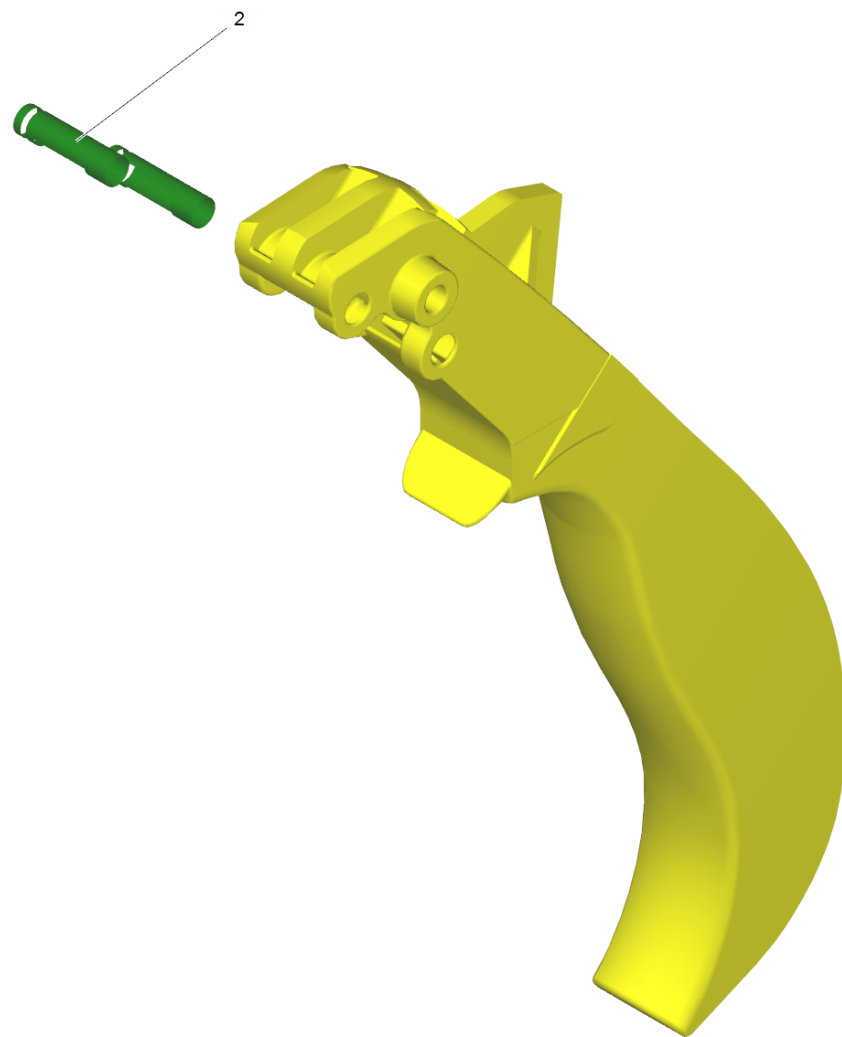
9000 Spare part set lever (2.885-483.0)

POS	Article no.	Description	Quantity	Unit
4	5.332-178.0	Helical spring	2	ST



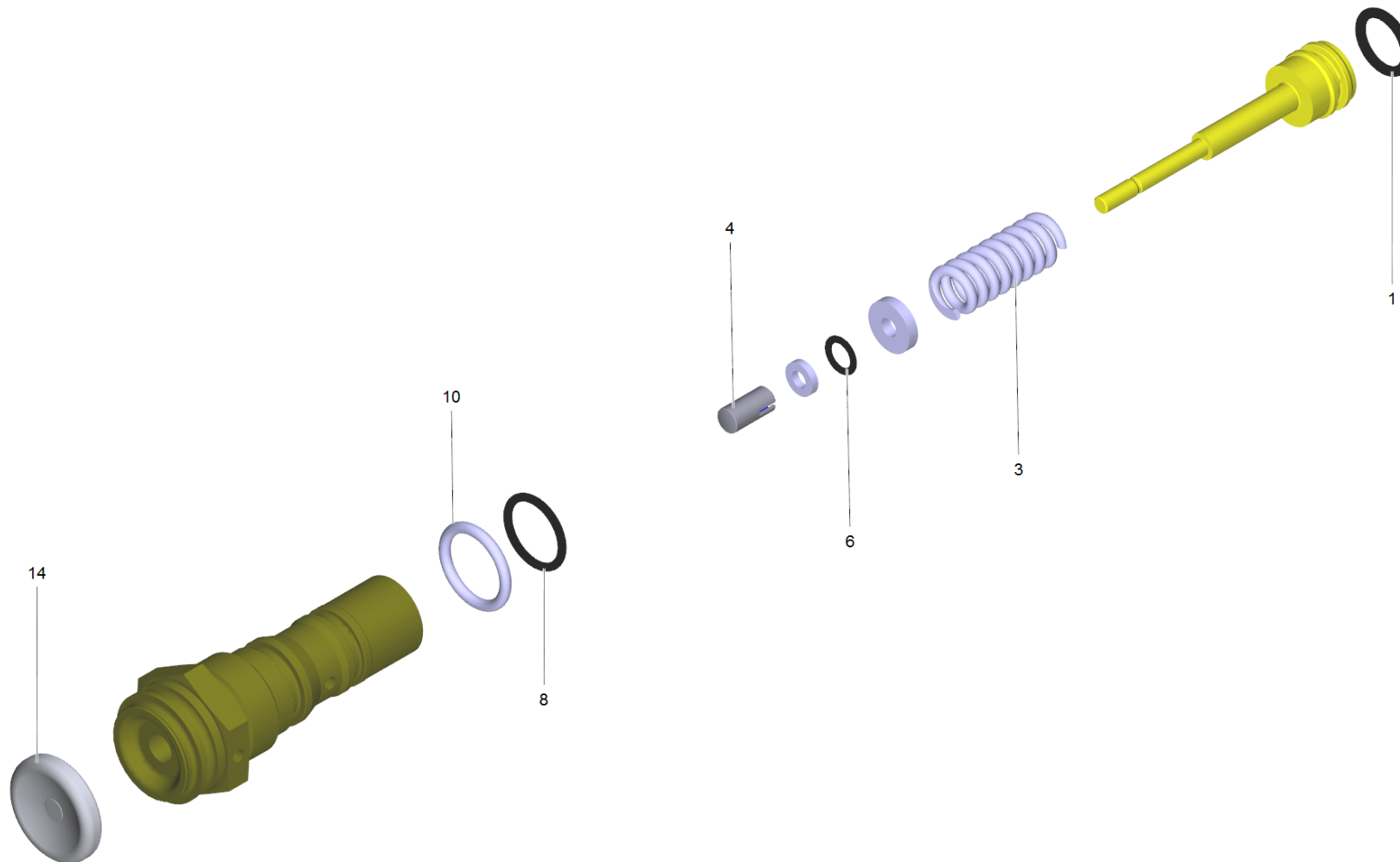
41 HAND TRIGGER GUN EASY PRESS (4.775-463.0)

POS	Article no.	Description	Quantity	Unit
2	4.037-013.0	Hook	1	ST
3	6.368-012.0	Protecting cap 22X1,5	1	ST
4	6.869-075.0	Metal bonding agent 1,5 ml	1	ST
cart_info_txt: This material is not available due to hazardous good regulation. Please procure this or a similar material from a local supplier of your choice.				
25	5.110-596.0	Sleeve	1	ST
32	5.321-669.3	Handhold few	1	ST
34	5.481-331.0	Slider	1	ST
45	7.303-096.0	Screw 4x22 -ST-10.9-R2R (IN6RD)	7	ST
1041	6.288-044.0	Silicon grease 100 G	1	ST
9001	4.427-215.0	Manifold complete only for replacement	1	ST
9002	4.481-209.0	Lever complete	1	ST



9002 Lever complete (4.481-209.0)

POS	Article no.	Description	Quantity	Unit
2	5.314-119.0	Pin	2	ST

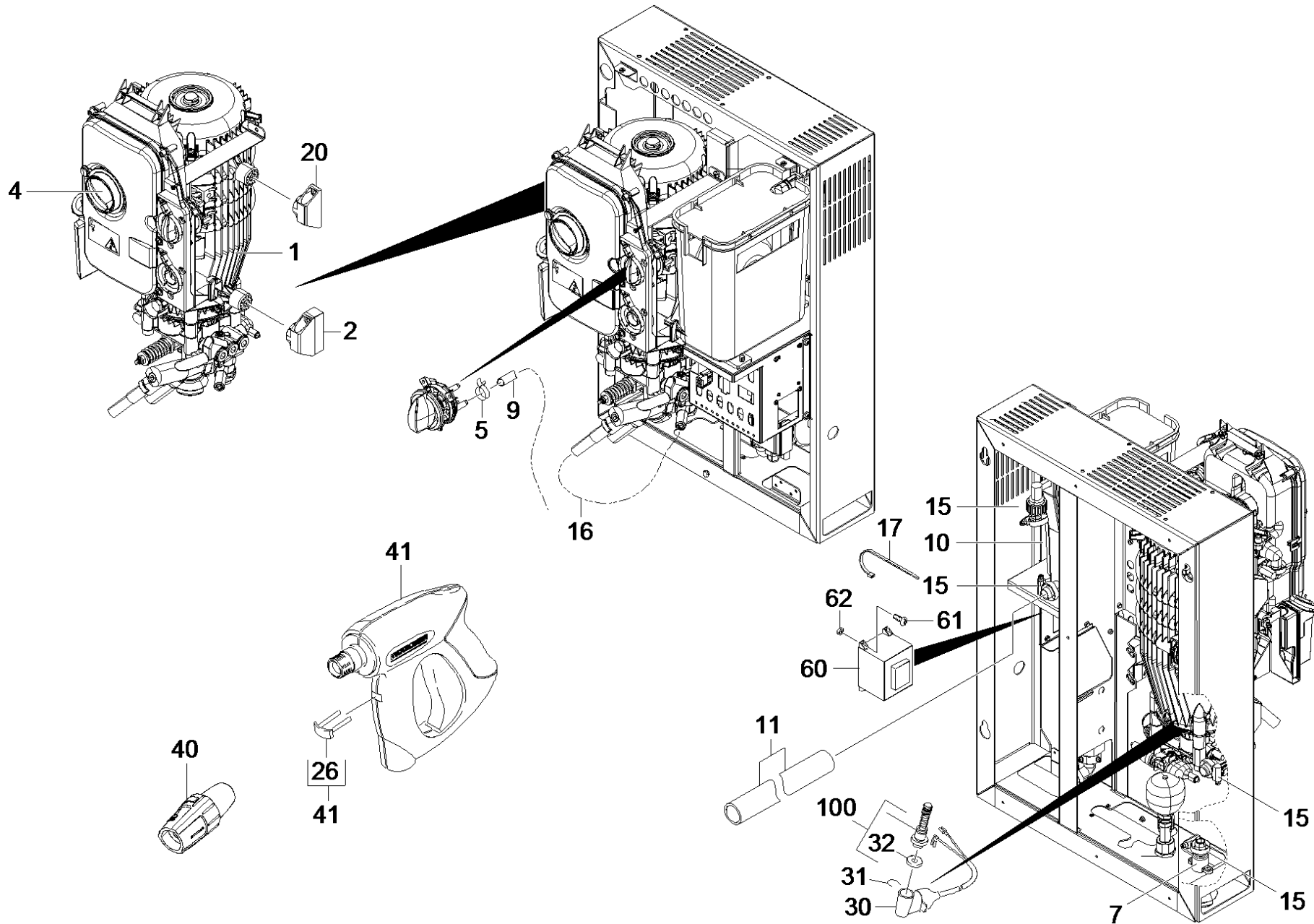


100 Spare part set control piston (2.885-226.0)

POS	Article no.	Description	Quantity	Unit
1	6.363-350.0	O-Ring seal 8.74x1.78	1	ST
3	5.332-511.0	Helical spring	1	ST
4	5.110-947.0	Sleeve	1	ST
6	6.363-330.0	O-Ring seal 2,9 x 1,78	1	ST
8	6.363-452.0	O-Ring seal 11 x 1,5	1	ST
10	6.363-519.0	O-Ring seal 12,00x 2,00	1	ST
14	5.367-030.0	Diaphragm	1	ST

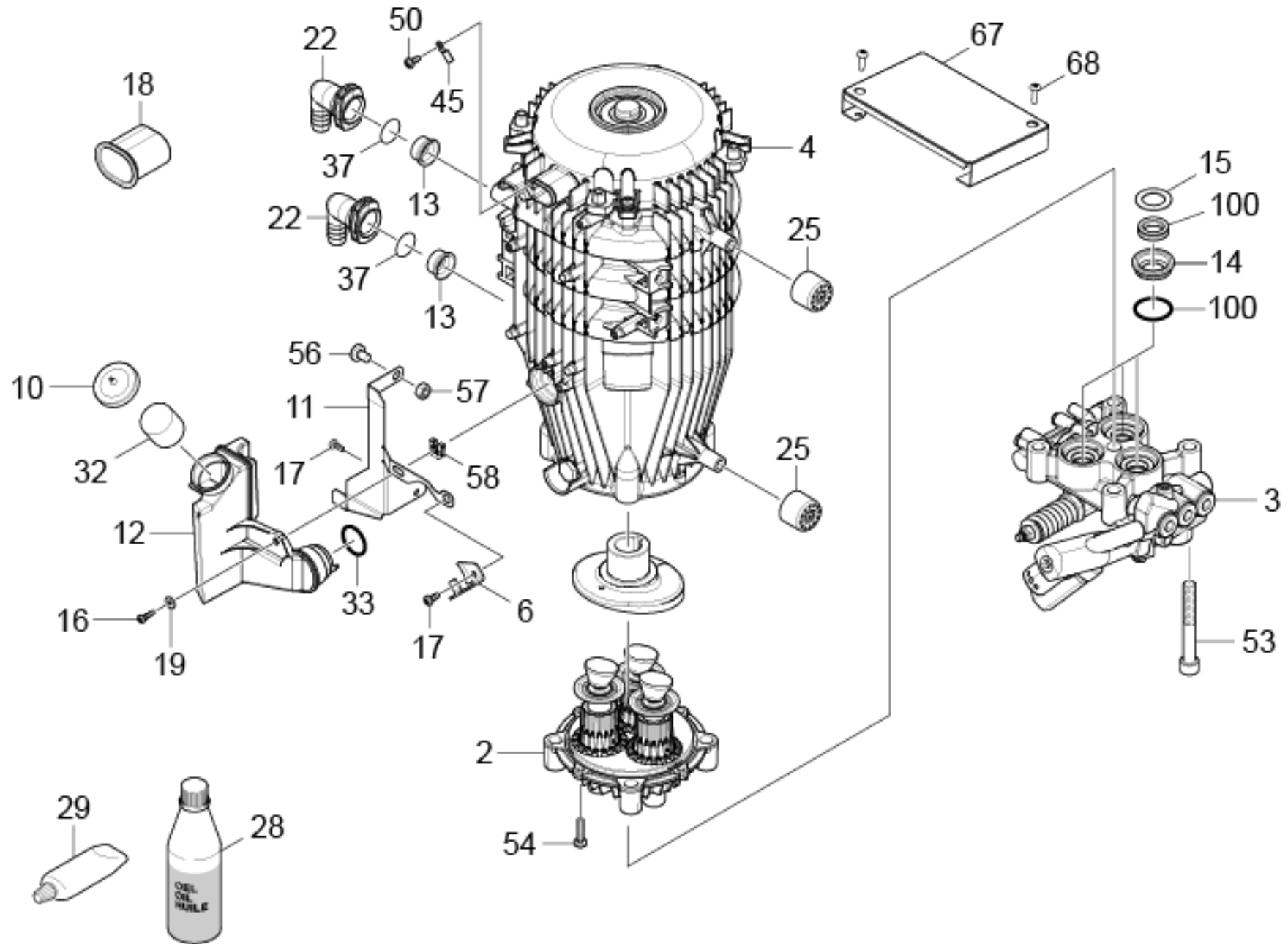
25 Pump set complete HD 13/12-4 ST 230V

POS	Article no.	Description	Quantity	Unit
1000	2.532-018.3	Spare parts list pump set complete HD 13	1	ST



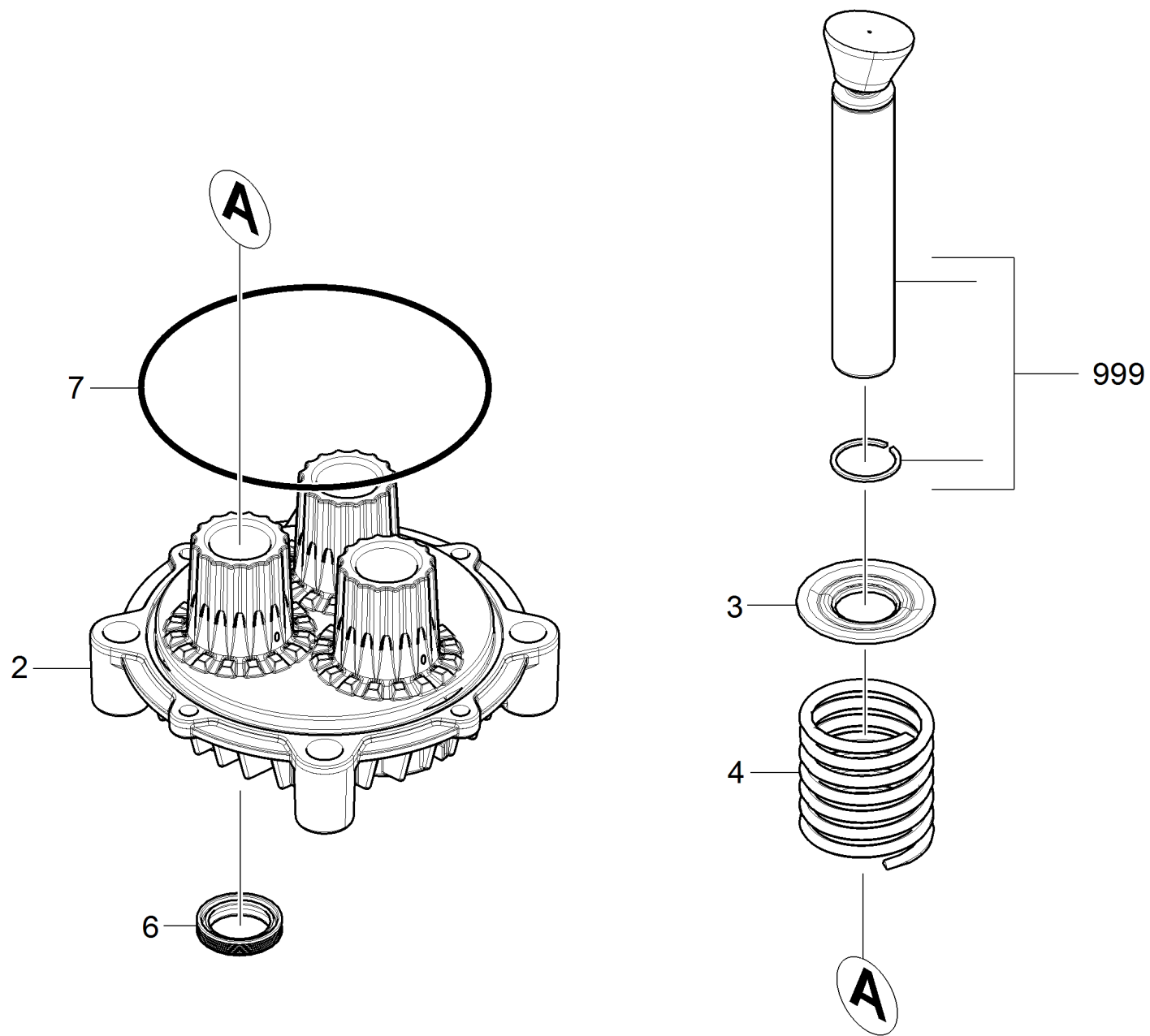
1000 Spare parts list pump set complete HD 13 (2.532-018.3)

POS	Article no.	Description	Quantity	Unit	Remark
1		Pump set HD 13/12-4 ST 230V	1	ST	
2	5.044-998.0	Holder	2	ST	
4		Electric control box HD-ST 230V	1	ST	
5	6.390-133.0	Hose clip	2	ST	
7	5.427-432.0	Manifold	1	ST	
9	6.388-247.0	Hose DN8 -PVC	0,64	M	
10	6.388-719.0	Hose DN17	1,27	M	
11	5.443-628.0	Hose	1	ST	
15	7.373-022.0	Hose clip A-16-27x9 -W2-2 DIN3017	6	ST	
16	6.391-990.0	Hose assembly DN8 40MPa 0,45m	1	ST	
17	6.641-465.0	Cable tape	1	ST	
20	5.044-891.0	Holder	2	ST	
26	4.037-013.0	Hook	1	ST	
30	4.744-190.0	Switch complete	1	ST	
31	5.034-494.0	Retaining bracket	1	ST	
32	5.367-030.0	Diaphragm	1	ST	
33	6.649-887.0	Plug triple dummy plug	1	ST	
40	4.117-041.0	Triple jet nozzle TR 098	1	ST	1.524-950.2
40	4.767-205.0	Triple jet nozzle only for replacement 0	1	ST	1.524-500.2
41	4.118-005.0	EASY!Force Advanced	1	ST	1.524-950.2
41	4.775-463.0	HAND TRIGGER GUN EASY PRESS	1	ST	1.524-500.2
60	6.622-336.0	Control transformer 96VA - EI78/40,5 230	1	ST	
61	7.306-058.0	Screw M 4X 12- 8.8-R2R K-IN6RD	4	ST	
62	7.311-569.0	Square nut M4 -04-A2E DIN 562	4	ST	
100	2.885-226.0	Spare part set control piston	1	ST	



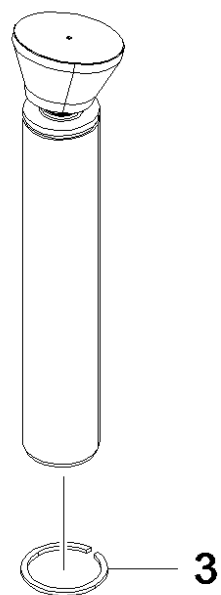
1 Pump set HD 13/12-4 ST 230V

POS	Article no.	Description	Quantity	Unit
2		Thrust guidance complete	1	ST
3		Cylinder head complete	1	ST
4	4.624-223.0	Motor complete only for replacement	1	ST
6	5.011-428.0	Plate bracket	1	ST
10	5.064-457.0	Cover plate qusty grey oil	1	ST
11	5.011-622.0	Plate holder oil tank	1	ST
12	5.070-831.0	Tank oil	1	ST
13	5.110-341.0	Sleeve	2	ST
14	5.112-870.0	Bush	3	ST
15	5.115-520.0	Washer	3	ST
16	7.306-208.0	Screw M 4x16-A2-70 (In6RD)	1	ST
17	7.303-038.0	Screw M5x12 -St-P2R (In6Rd)	2	ST
18	5.365-302.0	Profile gasket	1	ST
19	7.312-293.0	Washer 4-A2 ISO 7093-1	1	ST
22	5.427-415.0	Manifold	2	ST
25	5.767-005.0	Rubber buffer	4	ST
28	6.288-016.0	Gear oil 1L	1	ST
29	6.288-044.0	Silicon grease 100 G	1	ST
32	5.132-187.0	Plug	1	ST
33	6.362-722.0	O-Ring seal 28,0 X 3,0	1	ST
37	6.362-579.0	O-Ring seal 17,5 X 3,5	2	ST
45	4.820-578.0	Cable green/yellow 1,5mm ² x450mm	1	ST
50	7.303-031.0	Screw M4x10 -St-P2R (In6Rd)	1	ST
53	7.306-430.0	Cylinder head screw M12x90- 10.9-A3K ISO 4762	4	ST
54	7.306-094.0	Screw M6x25 -8.8-R3R (In6Rd)	2	ST
56	7.311-068.0	Hexagon nut M 8-A2-70 ISO 4032	1	ST
57	7.306-223.0	Screw M8x12 -A2-70 (In6Rd)	1	ST
58	6.310-176.0	Putting nut M4	1	ST
67	5.010-082.0	Cover plate HD 10/25 Cage	1	ST
68	7.303-048.0	Screw M6x20 -St-R3R (In6Rd)	2	ST
100	2.885-319.0	Pump set HD 13/12-4 ST-H	1	ST



2 Thrust guidance complete

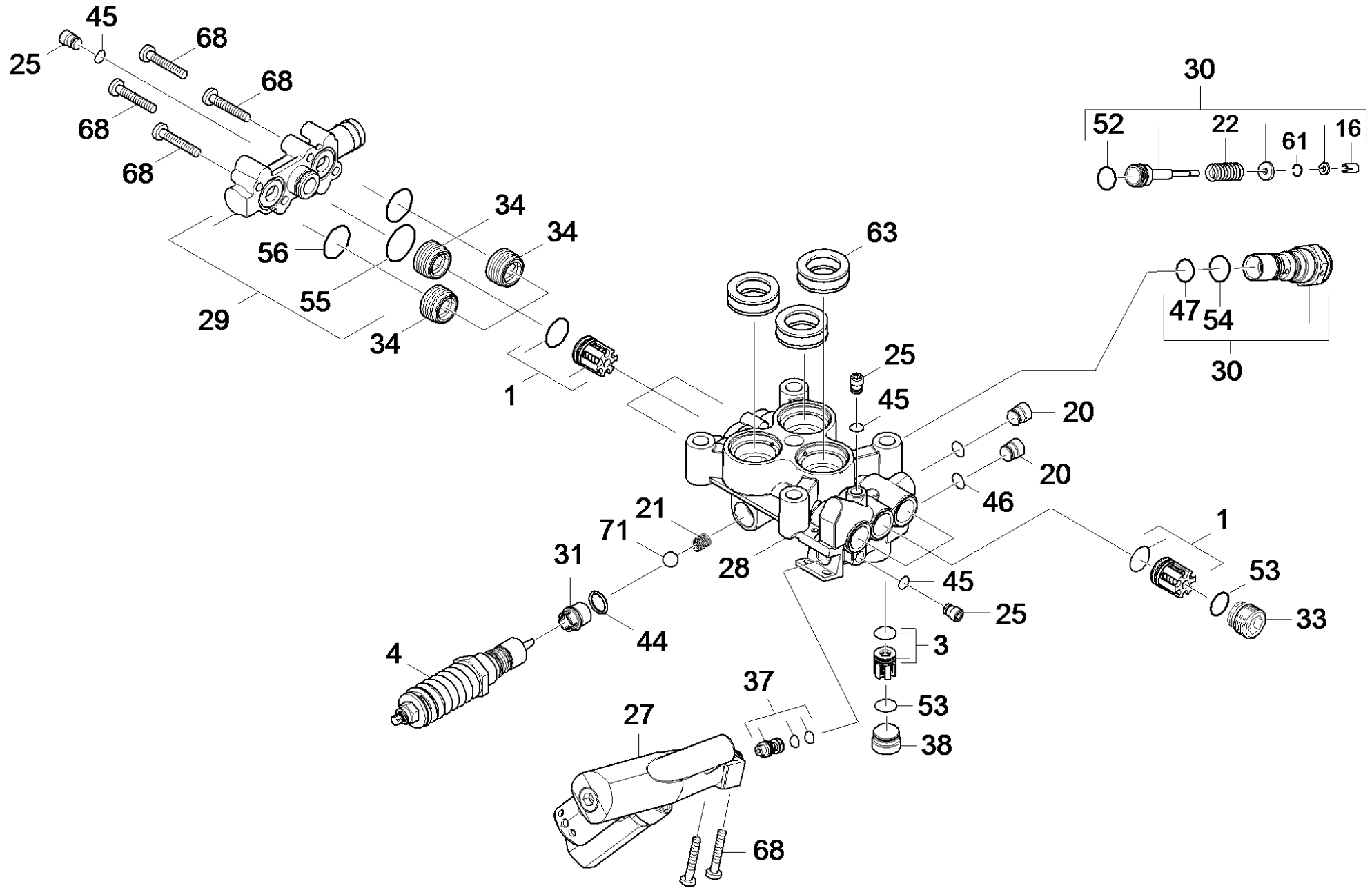
POS	Article no.	Description	Quantity	Unit
2	5.060-954.3	Thrust guidance D22	1	ST
3	5.116-065.0	Washer D22	3	ST
4	5.332-187.0	Helical spring	3	ST
6		Part at pump set	1	ST
7		Part at pump set	1	ST
999	4.553-280.0	Piston complete only for replacement	3	ST



999 Piston complete only for replacement (4.553-280.0)

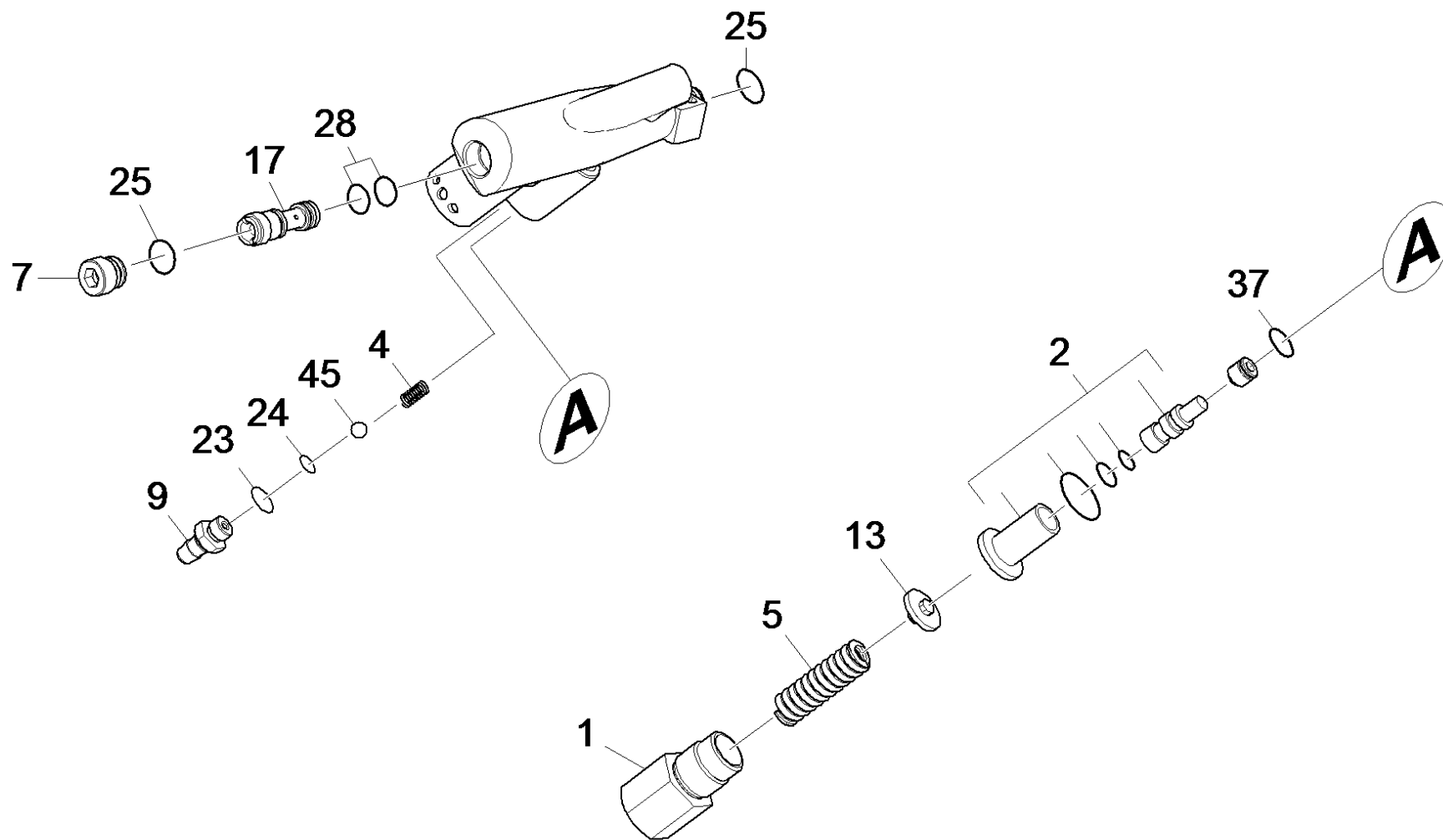
POS	Article no.	Description	Quantity	Unit
3	6.343-142.0	Snap ring WR 22	1	ST

3 Cylinder head complete



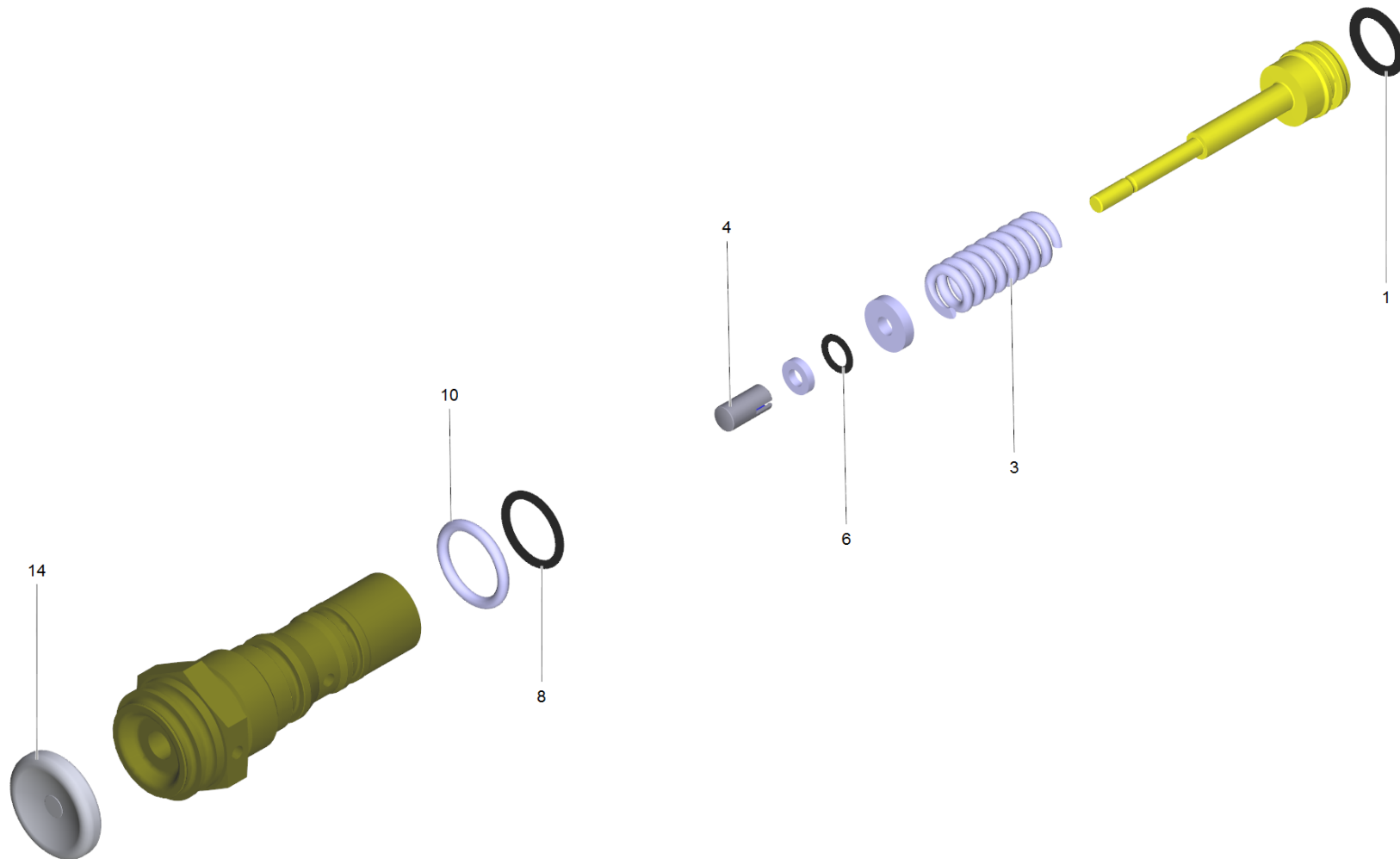
3 Cylinder head complete

POS	Article no.	Description	Quantity	Unit
1		Part at pump set	1	ST
3		Part at pump set	1	ST
4	2.885-238.0	Spare part set overflow valve	1	ST
16	5.110-947.0	Sleeve	1	ST
20	5.411-152.0	Screw plug	2	ST
21	5.332-999.0	Helical spring	1	ST
22	5.332-511.0	Helical spring	1	ST
25	5.411-161.0	CLOSING SCREW M10X1	3	ST
27		Overflow valve complete	1	ST
28	5.550-367.0	Cylinder head HD 13/12-4 ST	1	ST
29	2.885-233.0	Manifold low-pressure intake	1	ST
30	2.885-226.0	Spare part set control piston	1	ST
31	5.581-270.0	Valve seat	1	ST
33	5.583-146.3	Valve screw	3	ST
34	5.583-180.0	Valve screw M20x1	3	ST
37	2.885-231.0	Spare part set nozzle insert only for re	1	ST
38	5.411-166.0	CLOSING SCREW	1	ST
44	6.362-151.0	O-Ring d. 10 x 2 NBR 70	1	ST
45		Part at pump set	1	ST
46		Part at pump set	1	ST
47	6.363-615.0	O-Ring seal 11 x 1,5 -NBR70	1	ST
52	6.363-350.0	O-Ring seal 8.74x1.78	1	ST
53		Part at pump set	1	ST
54	6.362-169.0	O-Ring seal 12,0 X 2,0	1	ST
55		Part at pump set	1	ST
56		Part at pump set	1	ST
61	6.363-330.0	O-Ring seal 2,9 x 1,78	1	ST
63		Part at pump set	1	ST
68	7.306-118.0	Screw M 6x35 -8.8-R3R (In6Rd)	6	ST
71	7.401-910.0	Sphere 3/8 G80-1.4034 DIN 5401	1	ST



27 Overflow valve complete

POS	Article no.	Description	Quantity	Unit
1	5.304-114.0	Hexagonal head screw bush	1	ST
2	2.885-232.0	Wearing parts set	1	ST
4	5.332-258.0	Helical spring	1	ST
5	5.332-444.0	Helical spring	1	ST
7	5.411-168.0	Valve screw M16x1	1	ST
9	5.443-370.0	Nipple	1	ST
13	5.584-169.0	Valve pin	1	ST
17	5.769-227.0	Nozzle insert	1	ST
23	6.362-690.0	O-Ring seal 7x2 - NBR 70	1	ST
24	6.363-597.0	O-Ring seal 5,28 x 1,78	1	ST
25	6.362-151.0	O-Ring d. 10 x 2 NBR 70	2	ST
28	6.362-384.0	O-Ring seal 9x1,5 - NBR 70	2	ST
37	6.363-045.0	O-Ring seal 8X1,25 NBR	1	ST
45	7.401-908.0	Sphere 7 G300 -1.4301 DIN 5401	1	ST

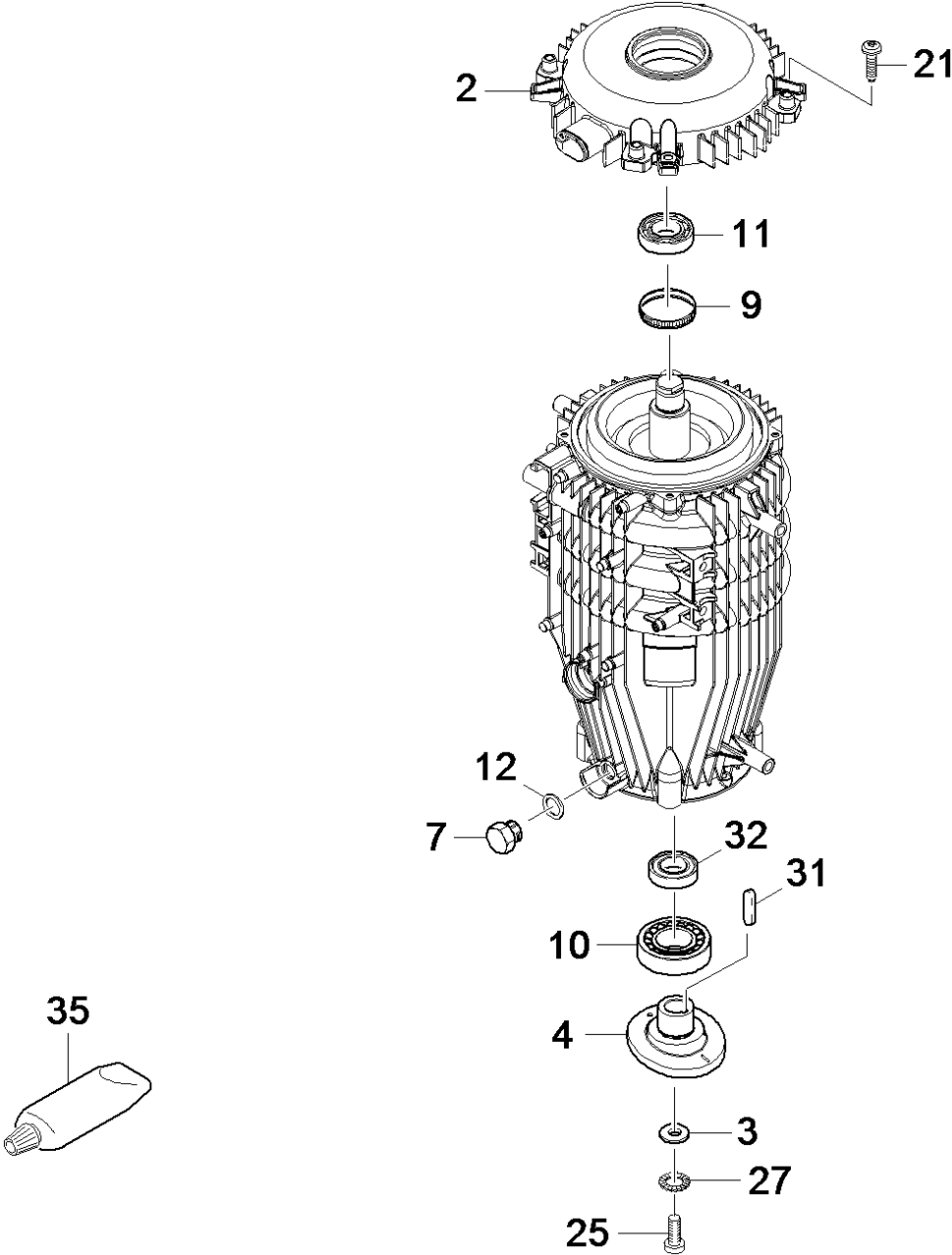


30 Spare part set control piston (2.885-226.0)

POS	Article no.	Description	Quantity	Unit
1	6.363-350.0	O-Ring seal 8.74x1.78	1	ST
3	5.332-511.0	Helical spring	1	ST
4	5.110-947.0	Sleeve	1	ST
6	6.363-330.0	O-Ring seal 2,9 x 1,78	1	ST
8	6.363-452.0	O-Ring seal 11 x 1,5	1	ST
10	6.363-519.0	O-Ring seal 12,00x 2,00	1	ST
14	5.367-030.0	Diaphragm	1	ST

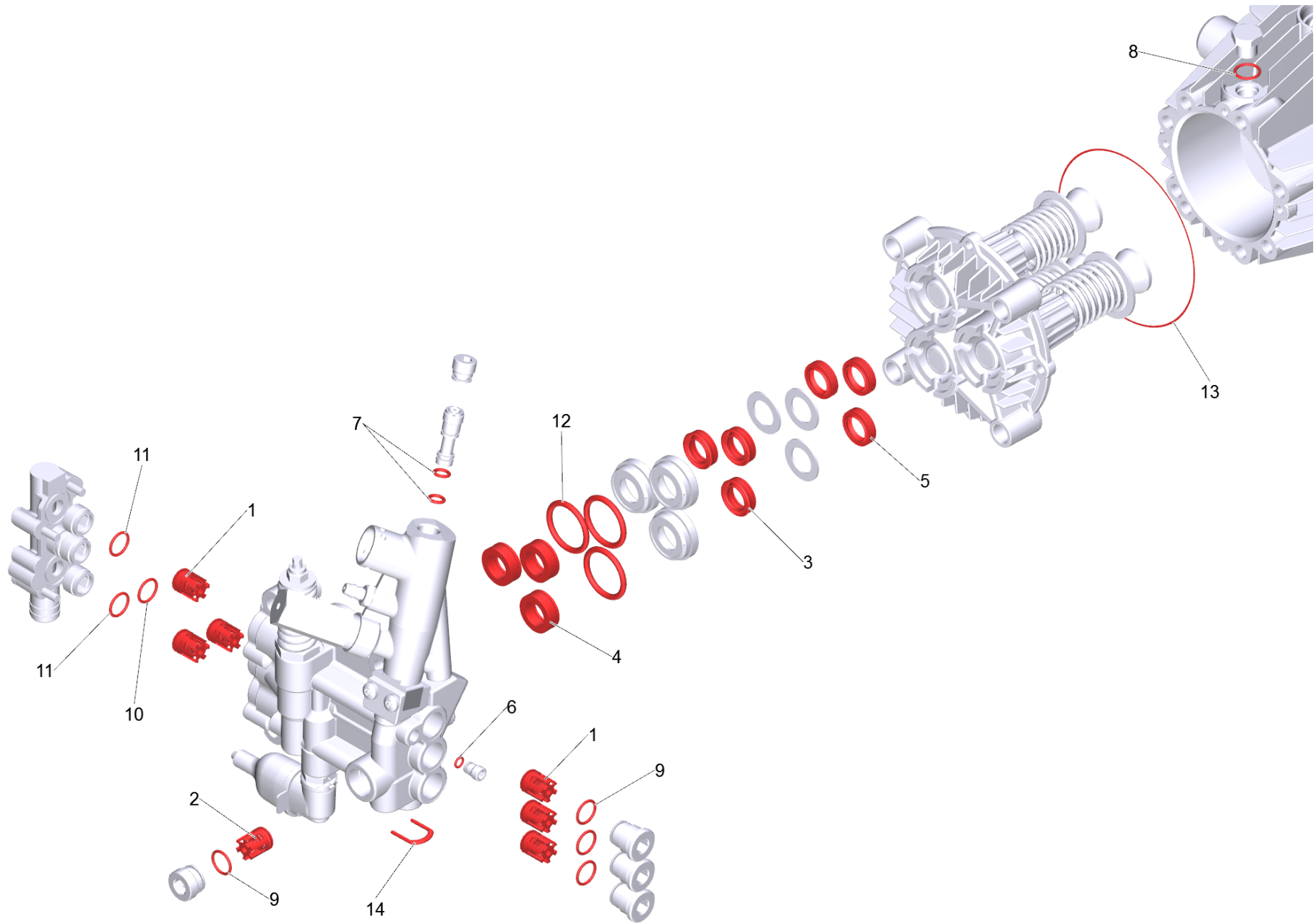
4 Motor complete only for replacement (4.624-223.0)

POS	Description	Quantity	Unit
1	Motor complete HD 13/12-4ST 230V	1	ST



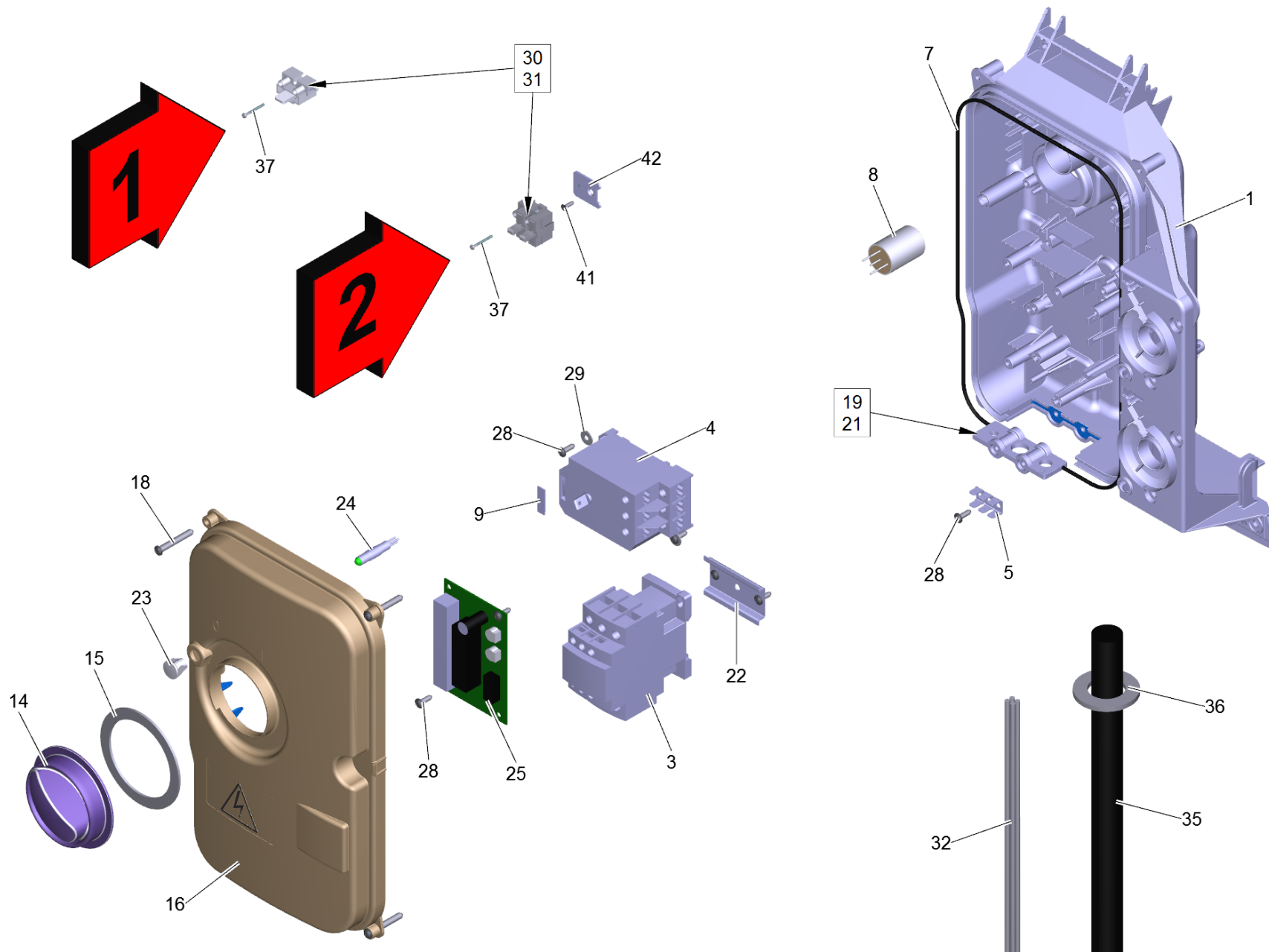
1 Motor complete HD 13/12-4ST 230V

POS	Article no.	Description	Quantity	Unit
2	5.064-006.0	Bearing cover B	1	ST
3	5.115-565.0	Washer	1	ST
4	5.120-353.3	Wobble plate	1	ST
7	5.411-100.0	Screw plug	1	ST
9	6.343-010.0	Tolerance ring 62x10	1	ST
10	6.401-225.3	Taper roller bearing 41	1	ST
11	6.401-253.0	Ball bearing 6305-2Z	1	ST
12	6.363-498.0	O-Ring seal 11,0x2,0 HNBR	1	ST
21	6.303-515.0	Self-tapping screw M6x25	4	ST
25	7.306-041.0	Cylinder head screw M8x20 -8.8-A2E ISO	1	ST
27	7.312-159.0	Toothed lock washer A8,4-FST-PH DIN 679	1	ST
31	7.318-035.0	Parallel key 8x7x25 -C45K DIN 6885-1	1	ST
32	7.367-012.0	Radial shaft seal ring A35x52x7 -FKM DIN	1	ST
35	6.288-044.0	Silicon grease 100 G	1	ST



100 Pump set HD 13/12-4 ST-H (2.885-319.0)

POS	Article no.	Description	Quantity	Unit
1	2.885-229.0	Valve only for replacement	2	ST
2	4.580-734.0	Valve complete	1	ST
3	2.885-253.0	Set of gaskets ND PTFE (3x)	1	ST
4	2.885-234.0	Set of gaskets high pressure (3 Stueck)	1	ST
5	6.365-422.0	Grooved ring 22X30X7/6	3	ST
6	6.363-543.0	O-Ring seal 6,0 x 1,5 HNBR 70 Shore	3	ST
7	6.363-331.0	O-Ring seal 9,0 x 1,5	2	ST
8	6.363-498.0	O-Ring seal 11,0x2,0 HNBR	1	ST
9	6.363-459.0	O-Ring seal 14 x 2	4	ST
10	6.363-542.0	O-Ring seal 16,0 x 2,0 HNBR 70 Shore	1	ST
11	6.363-541.0	O-Ring seal 21 x 1,78 HNBR 70 Shore	2	ST
12	6.363-545.0	O-Ring seal 36,0 x 2,0 HNBR 70 Shore	3	ST
13	6.363-544.0	O-Ring seal 114,0 x 3,0 HNBR 70 Shore	1	ST
14	5.034-494.0	Retaining bracket	1	ST
15	6.288-072.0	Silicon grease	1	ST



4 Electric control box HD-ST 230V

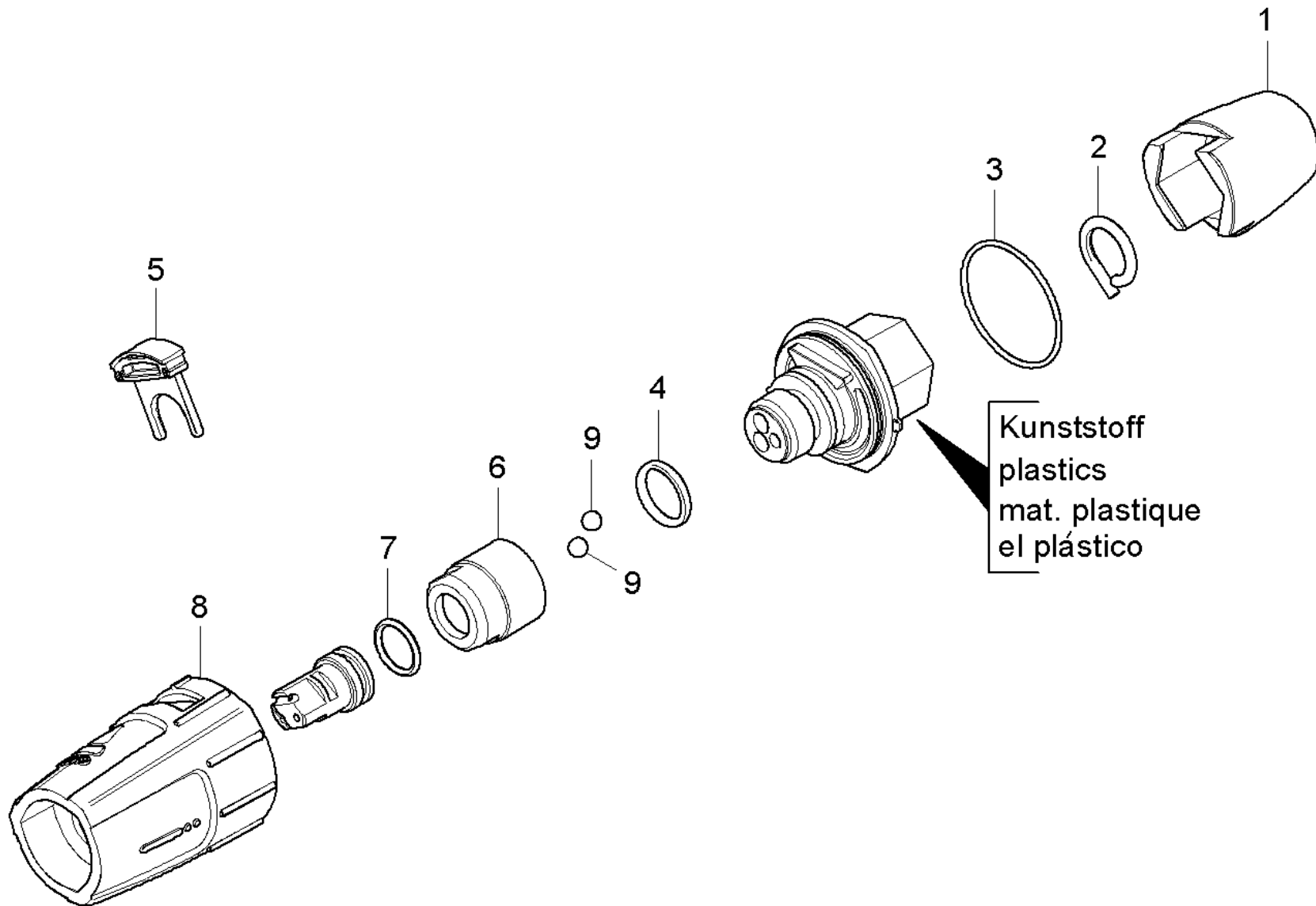
POS	Article no.	Description	Quantity	Unit	Foot note text
1	5.062-336.0	Housing electric control box	1	ST	
3	6.632-334.0	Power contactor LC1 D32 B7	1	ST	
4	6.631-428.0	Motor protecting switch -22-27A	1	ST	
5	6.641-270.0	Plug	1	ST	
7	6.273-037.0	Seal string cellular rubber 3	0,8	M	
8	6.661-302.0	Interference suppressor triple-pole	1	ST	
9	6.630-049.0	Cap	1	ST	
14	5.321-692.0	Handle	1	ST	
15	5.363-616.0	Joint ring	1	ST	
16	5.064-413.0	Cover electric control box	1	ST	
18	7.303-085.0	Screw 4x 35 -10.9-R2R (K-In6Rd)	4	ST	
19		Tensioning part 13/14/7	2	ST	
21		Sheet metal screw ST3,9x45 -St-A2K-C-H I	2	ST	
22	5.802-261.0	Mounting part	1	ST	
23	6.651-506.0	Lens housing	1	ST	
24	6.651-505.0	Pilot lamp	1	ST	
25	6.984-610.0	Circuit board control system HD-ST	1	ST	
28	7.303-106.0	Screw 4x12 -10.9-R2R (IN6RD)	7	ST	
29	7.312-281.0	Washer 4 -200HV-A2E ISO7093-1	2	ST	
30	6.643-336.0	Strip terminal	2	ST	VERSION 1
30	6.643-471.0	Strip terminal with fuse	2	ST	VERSION 2
31	6.644-070.0	Fuse insert medium time-lag G-5,0A	2	ST	
32	6.650-139.0	Cable harness HD-ST EU II	1	ST	
35	6.649-441.0	Cable without plug	1	ST	
36	7.312-098.0	Washer 27 -PA6.6-Natur ISO 7089	1	ST	
37	6.303-245.0	Cylinder head screw 3X18-ST-A2E	1	ST	VERSION 1
37	7.306-045.0	Screw M2x20 -4.8-A2K DIN 84	1	ST	VERSION 2
41	7.303-119.0	Countersunk screw 3x10 -10.9-R2R (In6Rd)	1	ST	VERSION 2
42	5.013-470.0	Plate clamp	1	ST	VERSION 2

40 Triple jet nozzle only for replacement 0 (4.767-205.0)

POS	Article no.	Description	Quantity	Unit
2	5.970-837.0	Spare parts list triple jet nozzle	1	ST

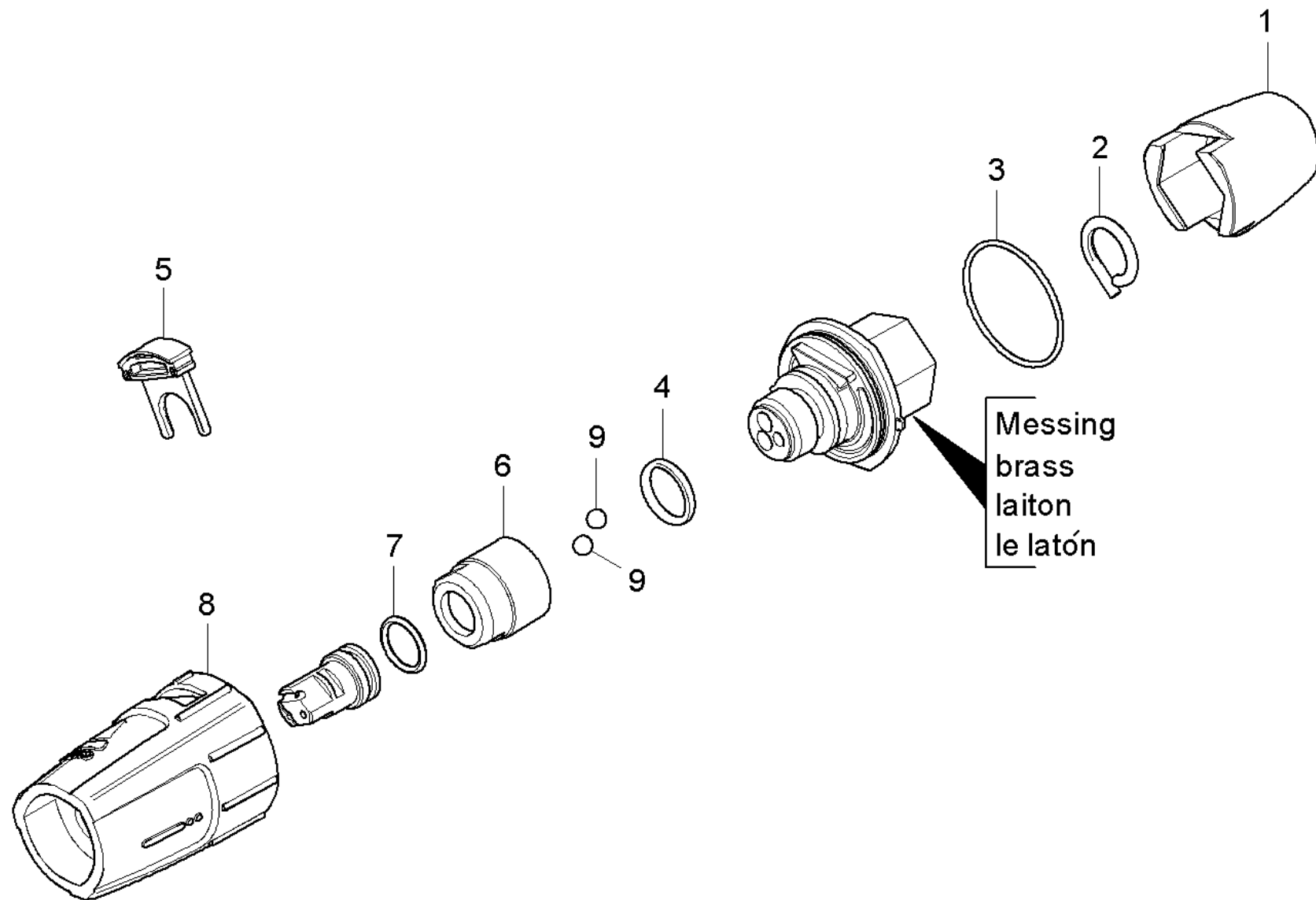
2 Spare parts list triple jet nozzle (5.970-837.0)

POS	Description	Quantity	Unit
10	Triple jet nozzle plastics	1	ST
20	Triple jet nozzle brass	1	ST



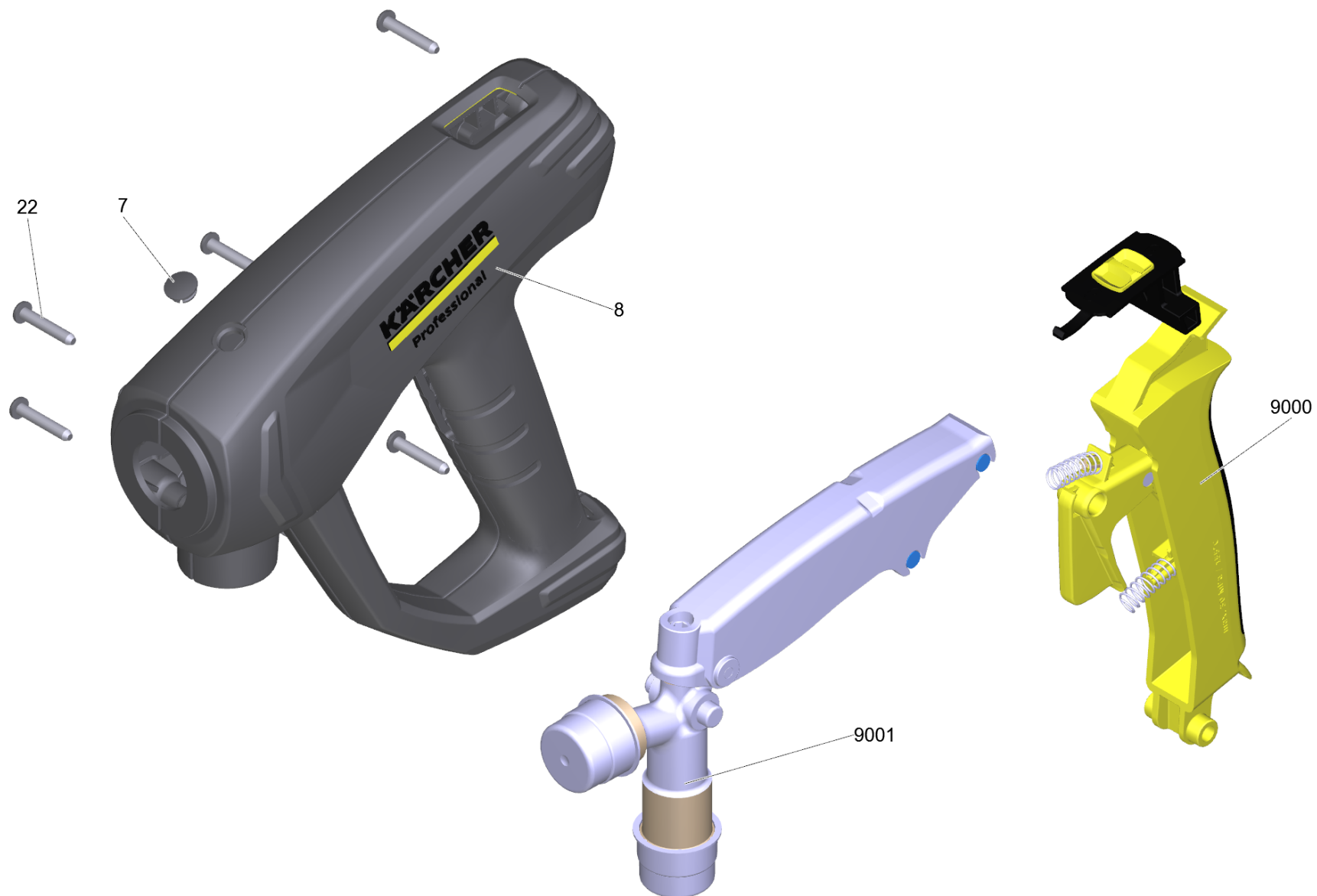
10 Triple jet nozzle plastics

POS	Article no.	Description	Quantity	Unit
1	5.394-530.0	Protection part complete	1	ST
2	6.343-150.0	Pin 03	1	ST
3	6.362-409.0	O-Ring seal 32,0 X 1,5	1	ST
4	7.362-039.0	O-Ring seal 15,5x1,5 -NBR70 DIN 3771	1	ST
5	5.321-884.0	Clamp	1	ST
6	5.311-236.0	Nut	1	ST
7	6.362-480.0	O-Ring seal 12,42x 1,78	1	ST
8	5.394-874.0	Protection part	1	ST
9	7.401-902.0	Sphere 5 G20 -1.4034 DIN 5401	2	ST



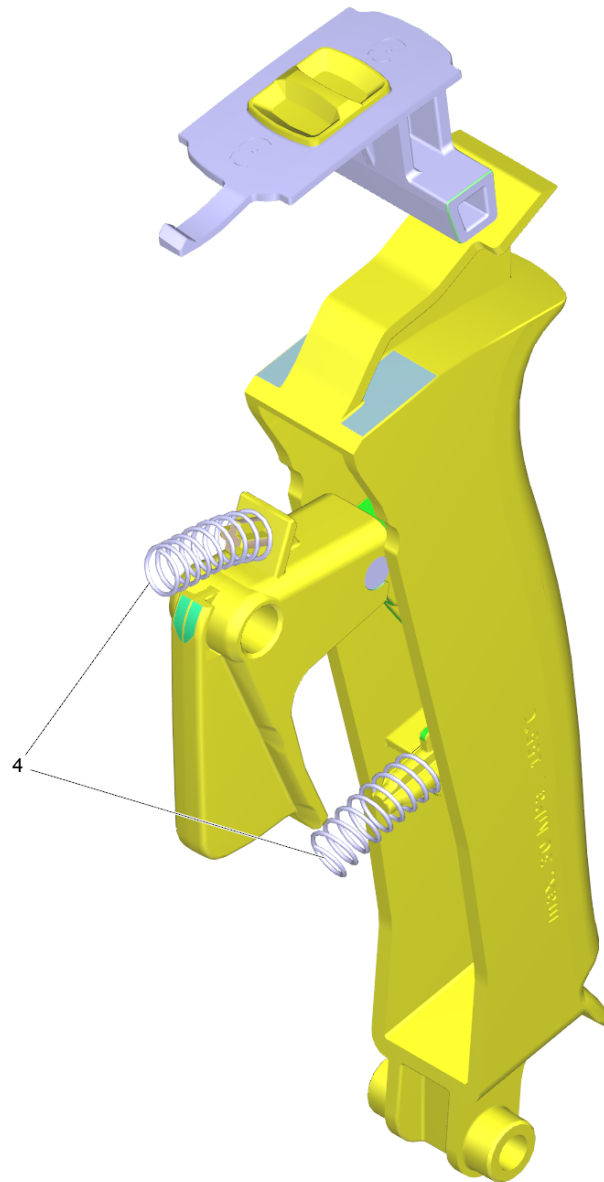
20 Triple jet nozzle brass

POS	Article no.	Description	Quantity	Unit
1	5.394-530.0	Protection part complete	1	ST
2	6.343-150.0	Pin 03	1	ST
3	6.362-409.0	O-Ring seal 32,0 X 1,5	1	ST
4	6.362-460.0	O-Ring seal 14,0 X 2,5-NBR 70	1	ST
5	5.321-884.0	Clamp	1	ST
6	5.311-225.0	Nut	1	ST
7	6.362-480.0	O-Ring seal 12,42x 1,78	1	ST
8	5.394-859.0	Protection part	1	ST
9	7.401-902.0	Sphere 5 G20 -1.4034 DIN 5401	2	ST



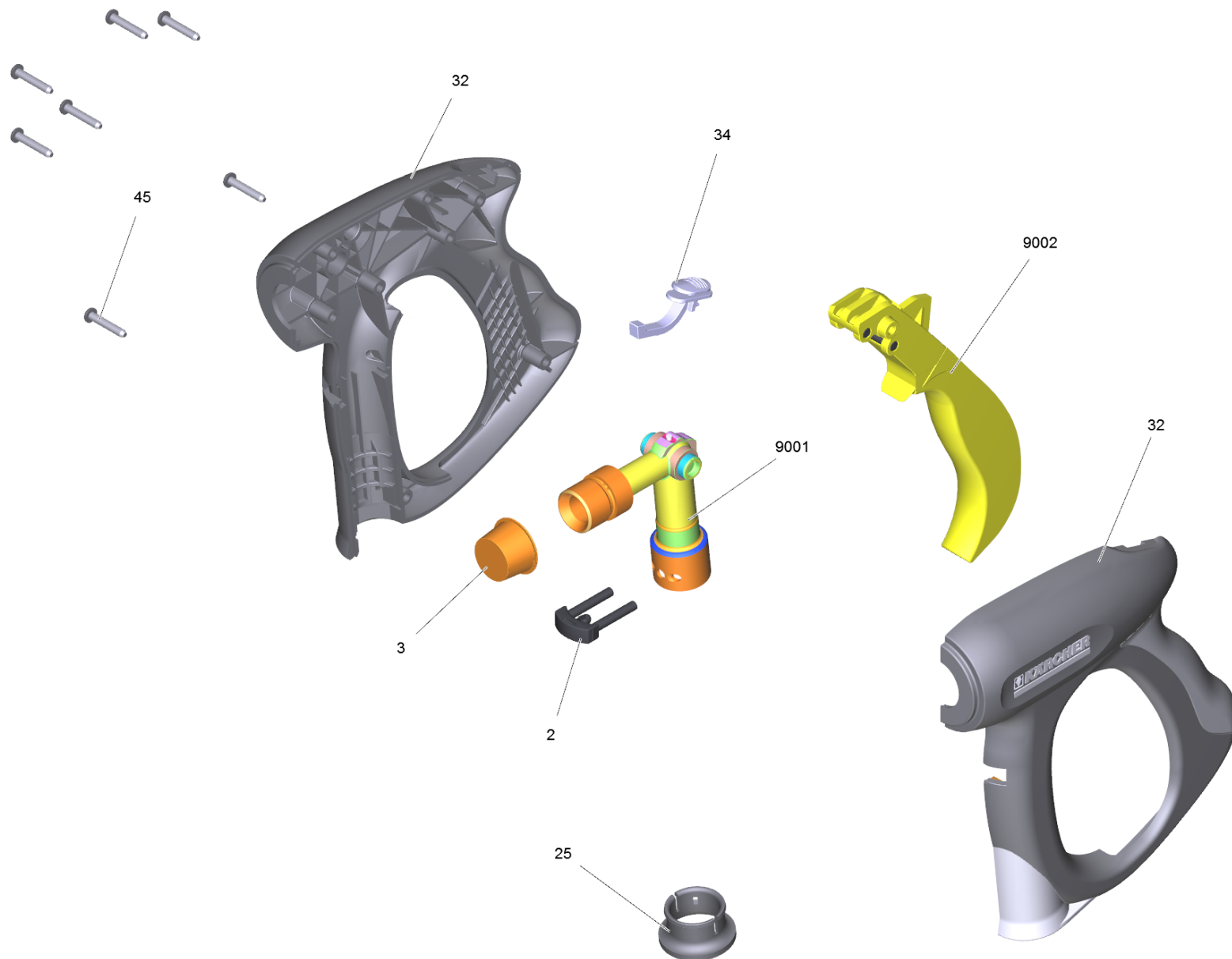
41 EASY!Force Advanced (4.118-005.0)

POS	Article no.	Description	Quantity	Unit
7	5.132-001.0	Plug	1	ST
8	5.321-136.3	Handhold few EH 155 only for replacement	1	ST
22	7.303-096.0	Screw 4x22 -ST-10.9-R2R (IN6RD)	7	ST
9000	2.885-483.0	Spare part set lever	1	ST
9001	4.427-014.0	Manifold TR EH 155 nur fuer Ersatz	1	ST



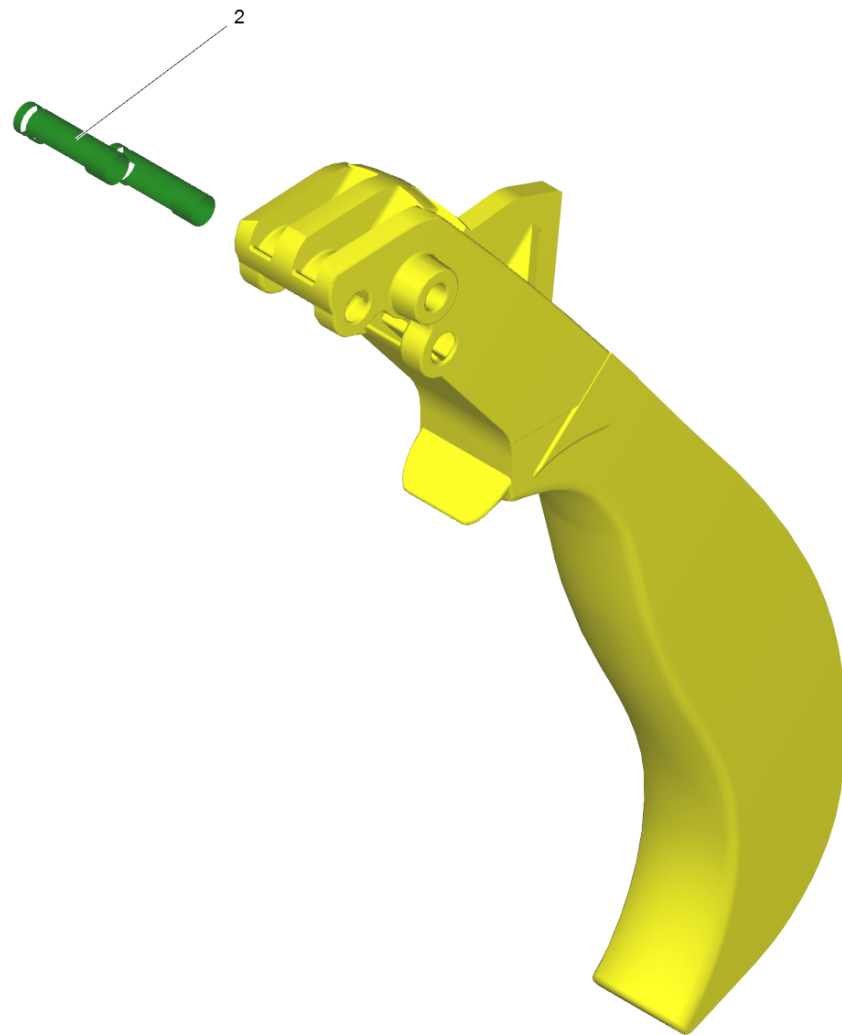
9000 Spare part set lever (2.885-483.0)

POS	Article no.	Description	Quantity	Unit
4	5.332-178.0	Helical spring	2	ST



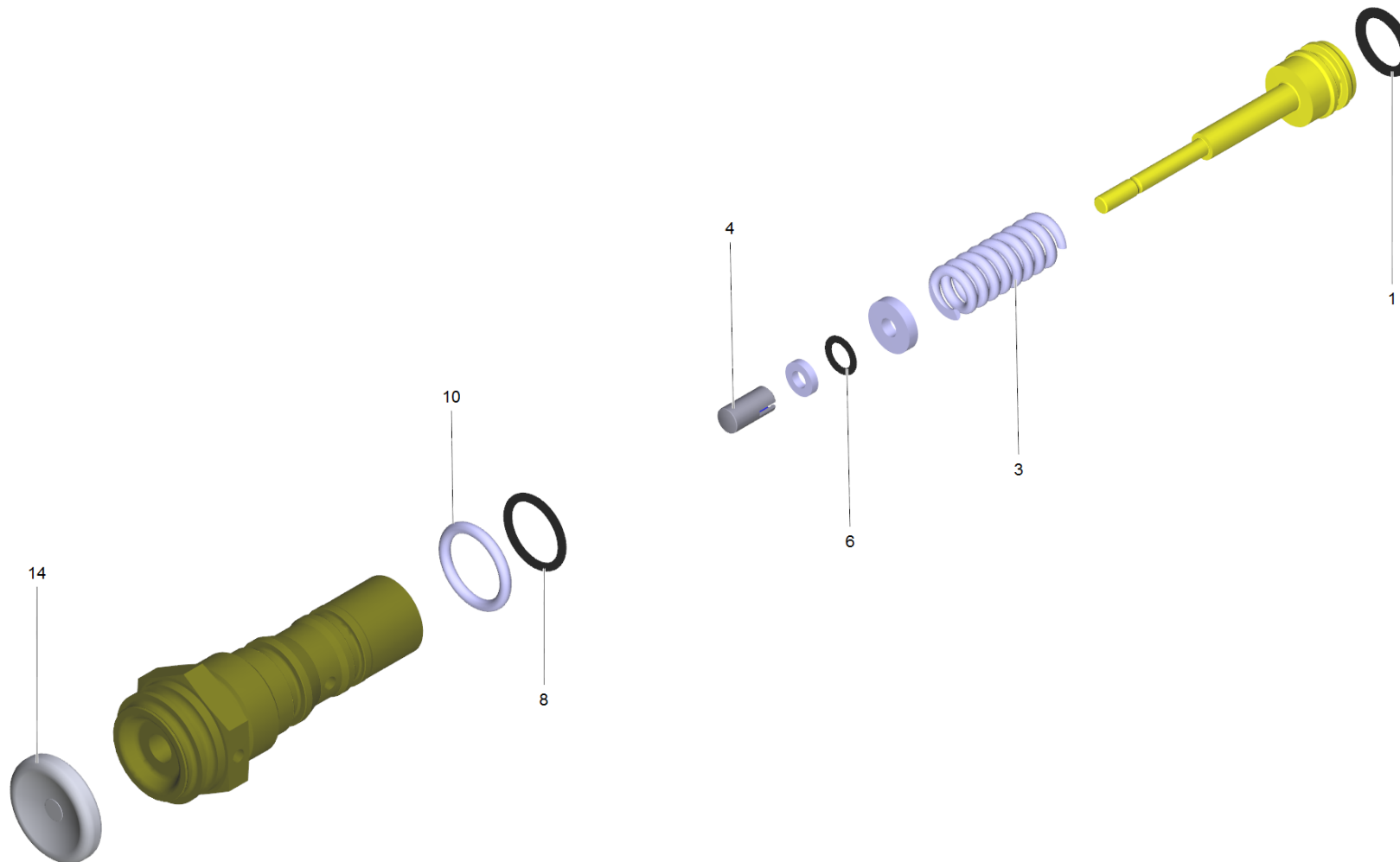
41 HAND TRIGGER GUN EASY PRESS (4.775-463.0)

POS	Article no.	Description	Quantity	Unit
2	4.037-013.0	Hook	1	ST
3	6.368-012.0	Protecting cap 22X1,5	1	ST
4	6.869-075.0	Metal bonding agent 1,5 ml	1	ST
cart_info_txt: This material is not available due to hazardous good regulation. Please procure this or a similar material from a local supplier of your choice.				
25	5.110-596.0	Sleeve	1	ST
32	5.321-669.3	Handhold few	1	ST
34	5.481-331.0	Slider	1	ST
45	7.303-096.0	Screw 4x22 -ST-10.9-R2R (IN6RD)	7	ST
1041	6.288-044.0	Silicon grease 100 G	1	ST
9001	4.427-215.0	Manifold complete only for replacement	1	ST
9002	4.481-209.0	Lever complete	1	ST



9002 Lever complete (4.481-209.0)

POS	Article no.	Description	Quantity	Unit
2	5.314-119.0	Pin	2	ST

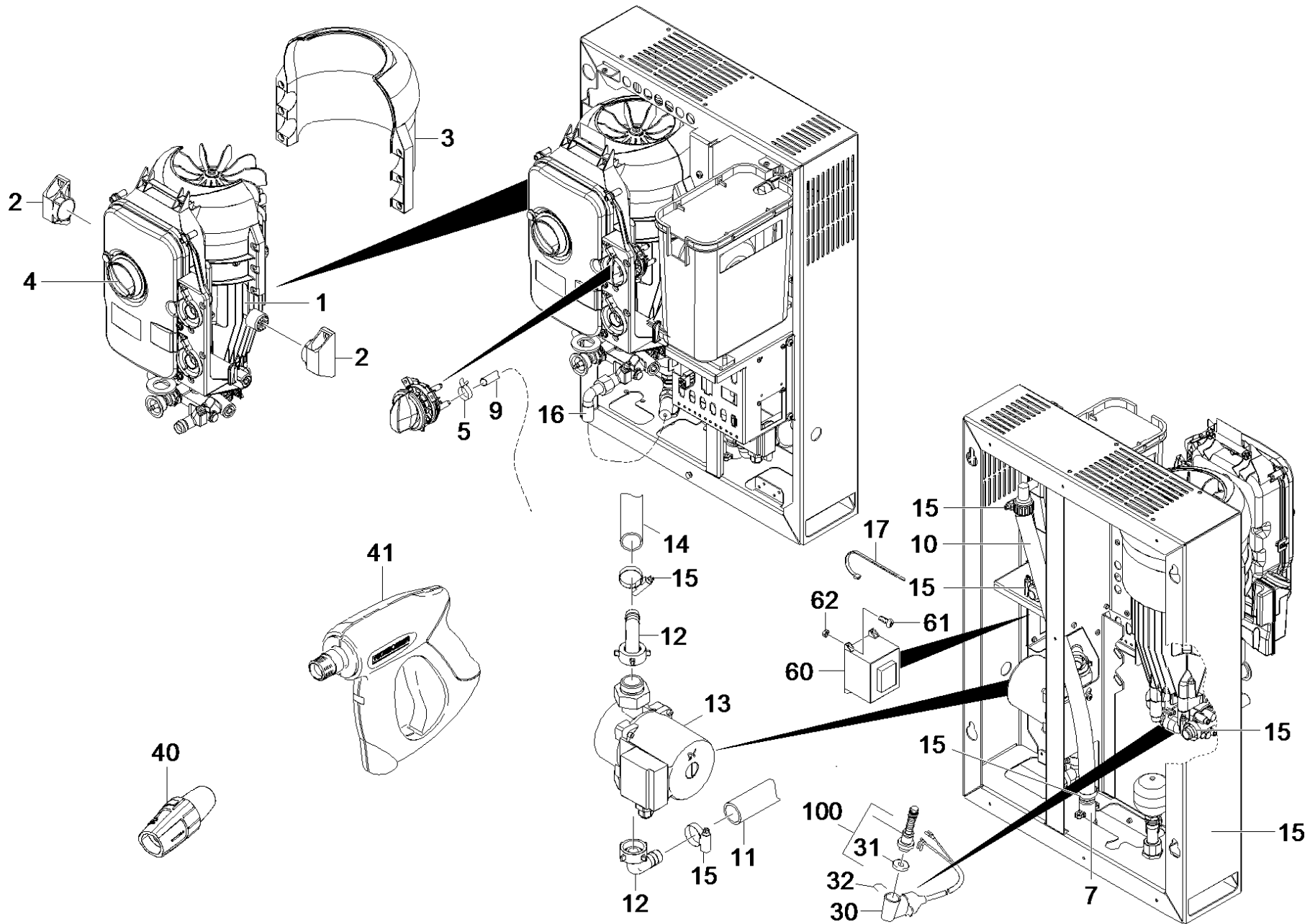


100 Spare part set control piston (2.885-226.0)

POS	Article no.	Description	Quantity	Unit
1	6.363-350.0	O-Ring seal 8.74x1.78	1	ST
3	5.332-511.0	Helical spring	1	ST
4	5.110-947.0	Sleeve	1	ST
6	6.363-330.0	O-Ring seal 2,9 x 1,78	1	ST
8	6.363-452.0	O-Ring seal 11 x 1,5	1	ST
10	6.363-519.0	O-Ring seal 12,00x 2,00	1	ST
14	5.367-030.0	Diaphragm	1	ST

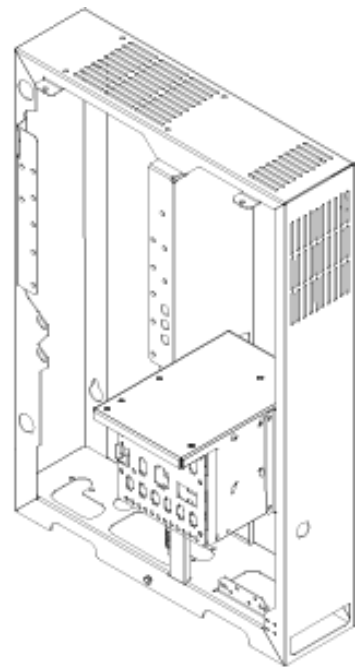
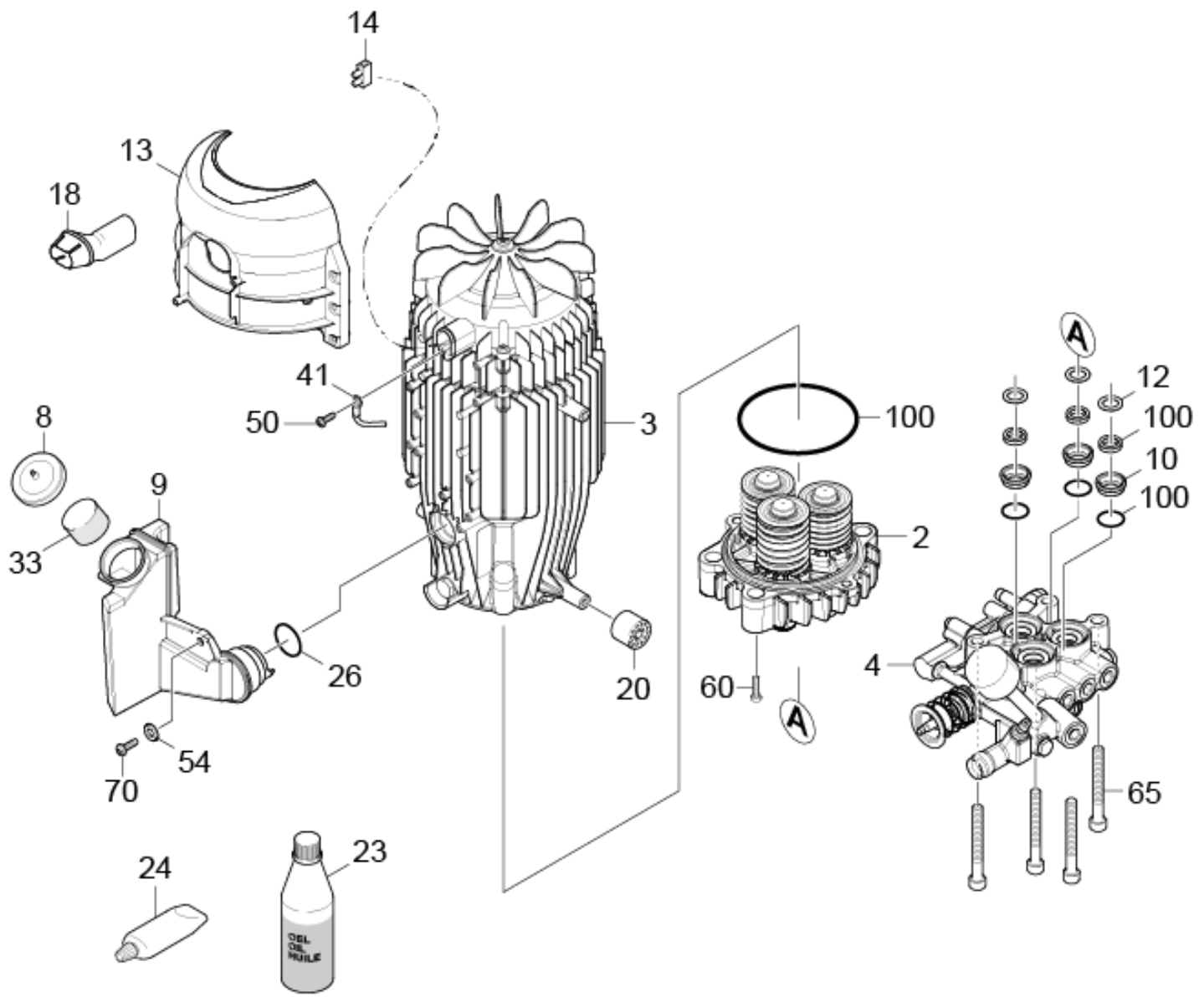
30 Pump set complete HD 7/16-4 ST-H 220-240V 60Hz

POS	Article no.	Description	Quantity	Unit
1000	2.532-027.3	Spare parts list pump set complete HD 7/	1	ST



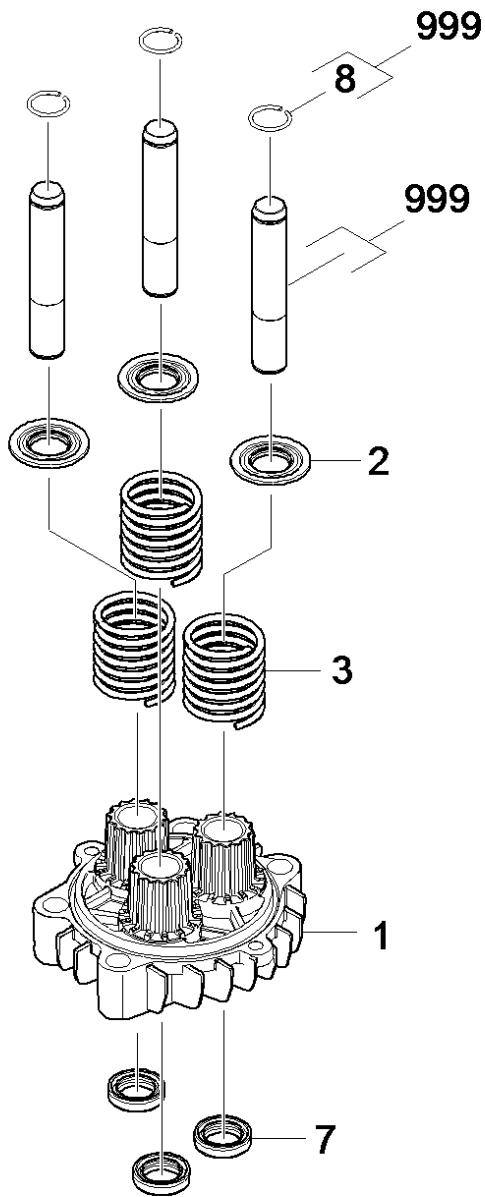
1000 Spare parts list pump set complete HD 7/ (2.532-027.3)

POS	Article no.	Description	Quantity	Unit	Remark
1		Pump set HD 7/16-4 ST-H 60Hz	1	ST	
2	5.044-891.0	Holder	2	ST	
3	2.885-228.0	Spare part set air circulation	1	ST	
4		Electric control box HD-ST 7/16 230V	1	ST	
5	6.390-133.0	Hose clip	2	ST	
7	5.427-432.0	Manifold	1	ST	
9	6.388-247.0	Hose DN8 -PVC	0,44	M	
10	6.388-719.0	Hose DN17	0,57	M	
11	5.443-628.0	Hose	1	ST	
12	6.391-867.0	Elbow screw connector R1"	2	ST	
13	4.540-133.0	Circulation pump	1	ST	
14	6.388-293.0	Elbow hose	1	ST	
15	7.373-022.0	Hose clip A-16-27x9 -W2-2 DIN3017	6	ST	
16	6.392-198.0	Hose assembly DN8 40MPa 0,46m	1	ST	
17	6.641-465.0	Cable tape	1	ST	
30	4.744-242.0	Switch kpl. -nur für Ersatz-	1	ST	
31	5.367-030.0	Diaphragm	1	ST	
32	5.034-494.0	Retaining bracket	1	ST	
40	4.117-033.0	Triple jet nozzle TR 040	1	ST	1.524-950.2
40	4.767-150.0	Triple jet nozzle only for replacement 0	1	ST	1.524-500.2
41	4.118-005.0	EASY!Force Advanced	1	ST	1.524-950.2
41	4.775-448.0	Hand trigger gun	1	ST	1.524-500.2
60	6.622-336.0	Control transformer 96VA - EI78/40,5 230	1	ST	
61	7.306-058.0	Screw M 4X 12- 8.8-R2R K-IN6RD	4	ST	
62	7.311-569.0	Square nut M4 -04-A2E DIN 562	4	ST	
100	2.885-226.0	Spare part set control piston	1	ST	



1 Pump set HD 7/16-4 ST-H 60Hz

POS	Article no.	Description	Quantity	Unit
2		Housing thrust guidance 10° HD 7/16-4 ST	1	ST
3	4.624-221.0	Motor complete only for replacement	1	ST
4		Cylinder head complete -H	1	ST
8	5.064-457.0	Cover plate qusty grey oil	1	ST
9	5.070-831.0	Tank oil	1	ST
10	5.112-885.0	Bush	3	ST
12	5.115-432.0	Washer	3	ST
13	2.885-228.0	Spare part set air circulation	1	ST
14	6.643-151.0	Strip terminal one-pole 16mm²	1	ZST
18	5.365-341.0	Profile gasket long	1	ST
20	5.767-005.0	Rubber buffer	4	ST
23	6.288-016.0	Gear oil 1L	1	ST
26	6.363-499.0	O-Ring seal 28,0x3,0	1	ST
33	5.132-187.0	Plug	1	ST
41	4.820-578.0	Cable green/yellow 1,5mm²x450mm	1	ST
50	7.303-031.0	Screw M4x10 -St-P2R (In6Rd)	1	ST
54	7.312-282.0	Washer 5 -A2 ISO 7093-1	1	ST
60	7.306-094.0	Screw M6x25 -8.8-R3R (In6Rd)	2	ST
65	7.306-807.0	Cylinder head screw M10x85-8.8-A3E ISO4	4	ST
70	6.303-320.0	Screw M 5x 20-St-R2R	1	ST
100	2.885-317.0	Pump set HD 7/16-4 ST-H	1	ST

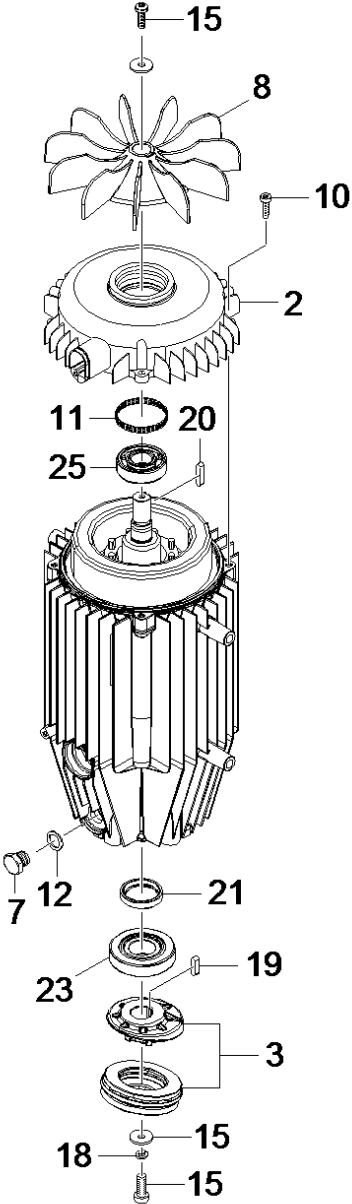


2 Housing thrust guidance 10° HD 7/16-4 ST

POS	Article no.	Description	Quantity	Unit
1	5.061-059.0	Housing	1	ST
2	5.116-134.0	Washer	3	ST
3	5.333-027.0	Helical spring	3	ST
7		Part at pump set	1	ST
8	7.343-473.0	Snap ring 18 -FST DIN 9925	3	ST
999	4.553-332.0	Spare part set piston complete	1	ST

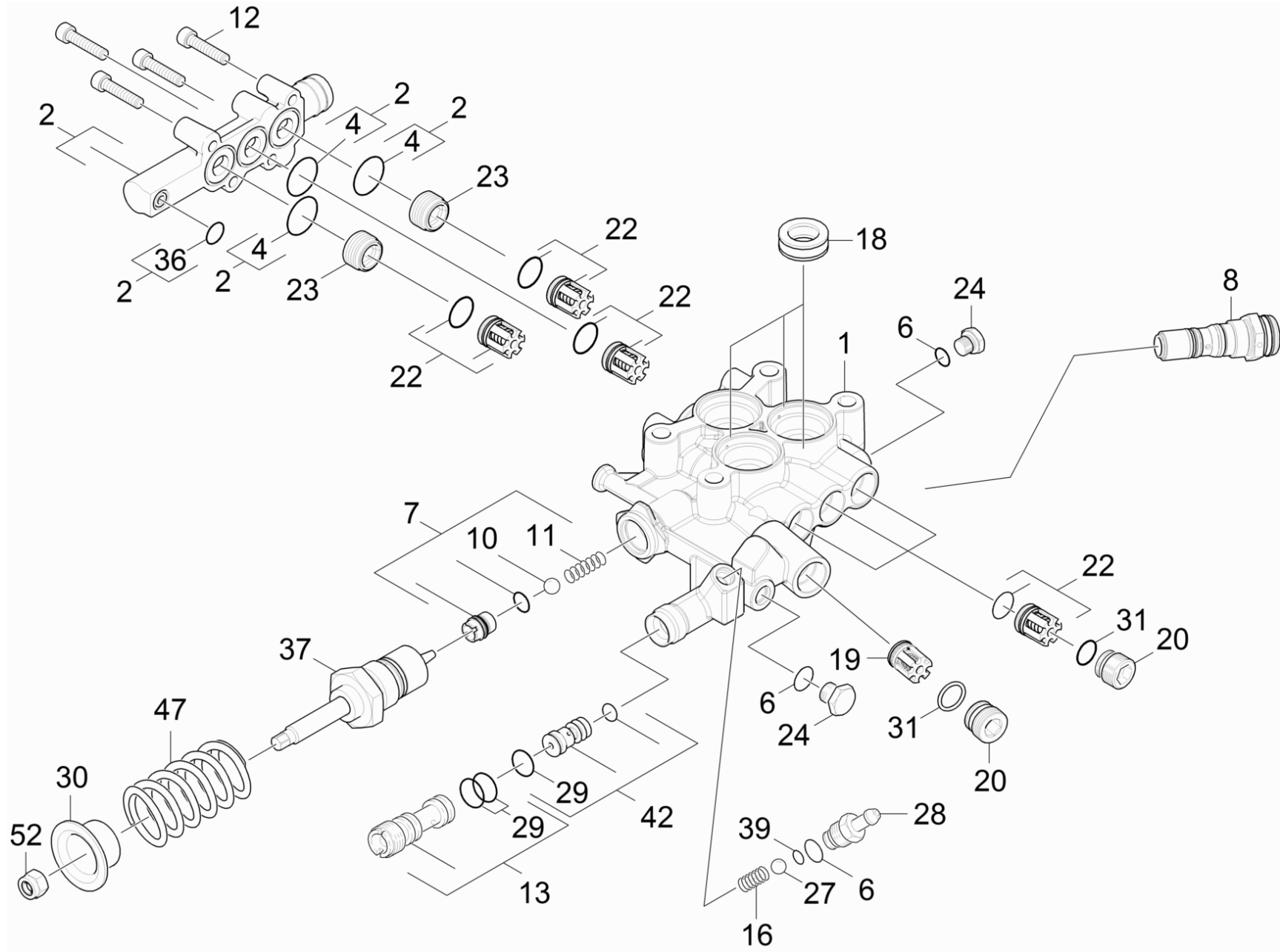
3 Motor complete only for replacement (4.624-221.0)

POS	Description	Quantity	Unit
1	Motor complete HD 7/16-4ST 60Hz	1	ST



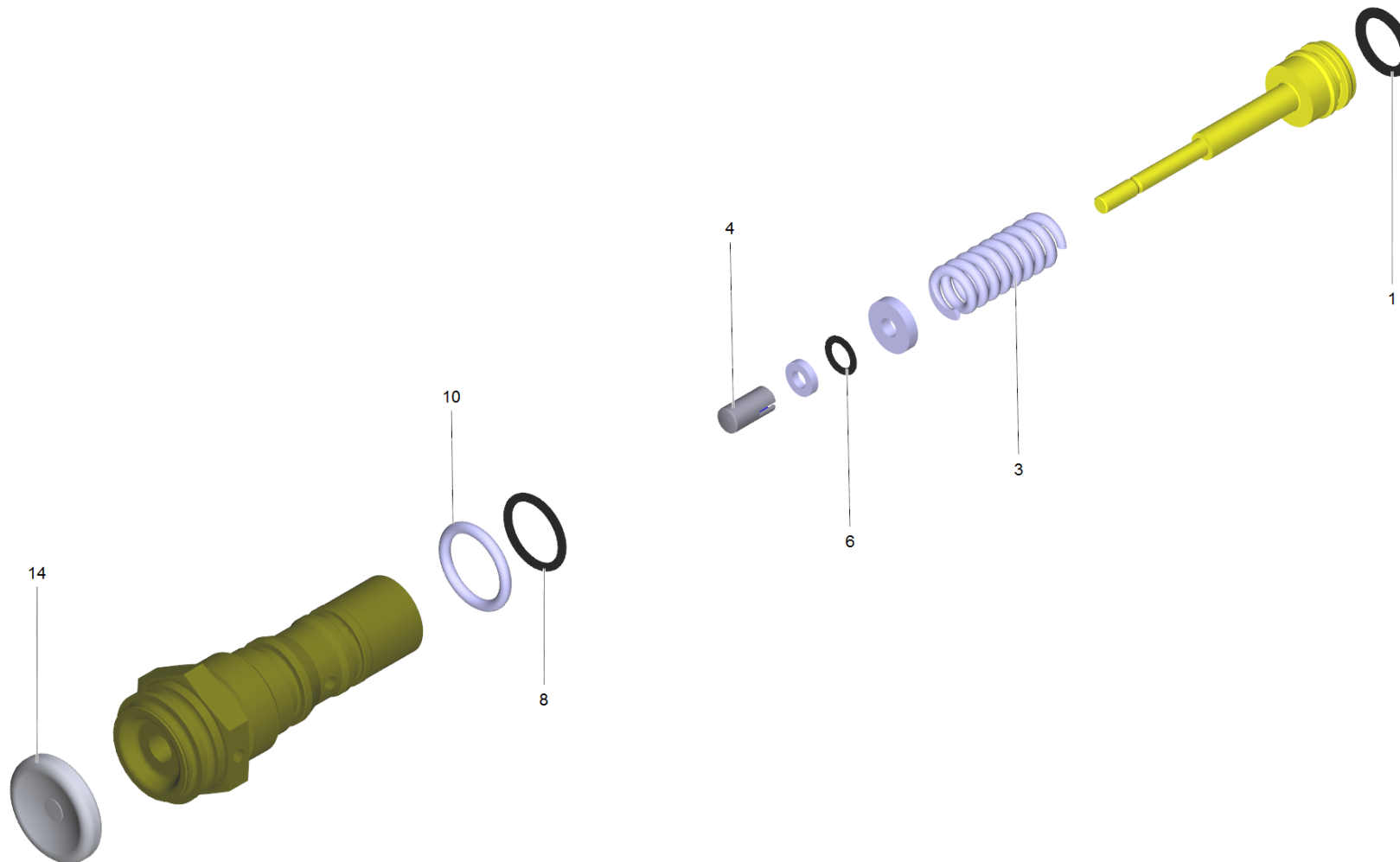
1 Motor complete HD 7/16-4ST 60Hz

POS	Article no.	Description	Quantity	Unit
2	5.063-707.0	Bearing cover B	1	ST
3	4.120-218.0	Wobble plate	1	ST
7	5.411-100.0	Screw plug	1	ST
8	5.600-046.0	Blower wheel	1	ST
10	6.303-265.0	Self-tapping screw M6x20	4	ST
	Item text2: 46233130			
11	6.343-171.0	Tolerance ring	1	ST
	Item text2: 46233130			
12	6.363-498.0	O-Ring seal 11,0x2,0 HNBR	1	ST
15	7.306-092.0	Screw M6x20-ST- 8.8-R3R (IN6RD)	2	ST
	Item text2: 46233130			
16	7.312-260.0	Washer 6 -100HV-A3E ISO 7094	2	ST
	Item text2: 46233130			
18	7.313-003.0	Spring washer B 6-FSt-A3E DIN 127	1	ST
	Item text2: 46233130			
19	7.318-070.0	Parallel key 5x5x20-C45K DIN 6885-1	1	ST
	Item text2: 46233130			
20	7.318-079.0	Parallel key A 5x5x25-C45K DIN 6885	1	ST
	Item text2: 46233130			
21	7.367-021.0	Radial shaft seal ring A30x40x7 -FKM DI	1	ST
	Item text2: 46233130			
23	6.401-399.0	Taper roller bearing	1	ST
24		Deep groove ball thrust bearing	1	ST
25	6.401-285.0	Ball bearing 6204 2RS	1	ST
	Item text2: 46233130			



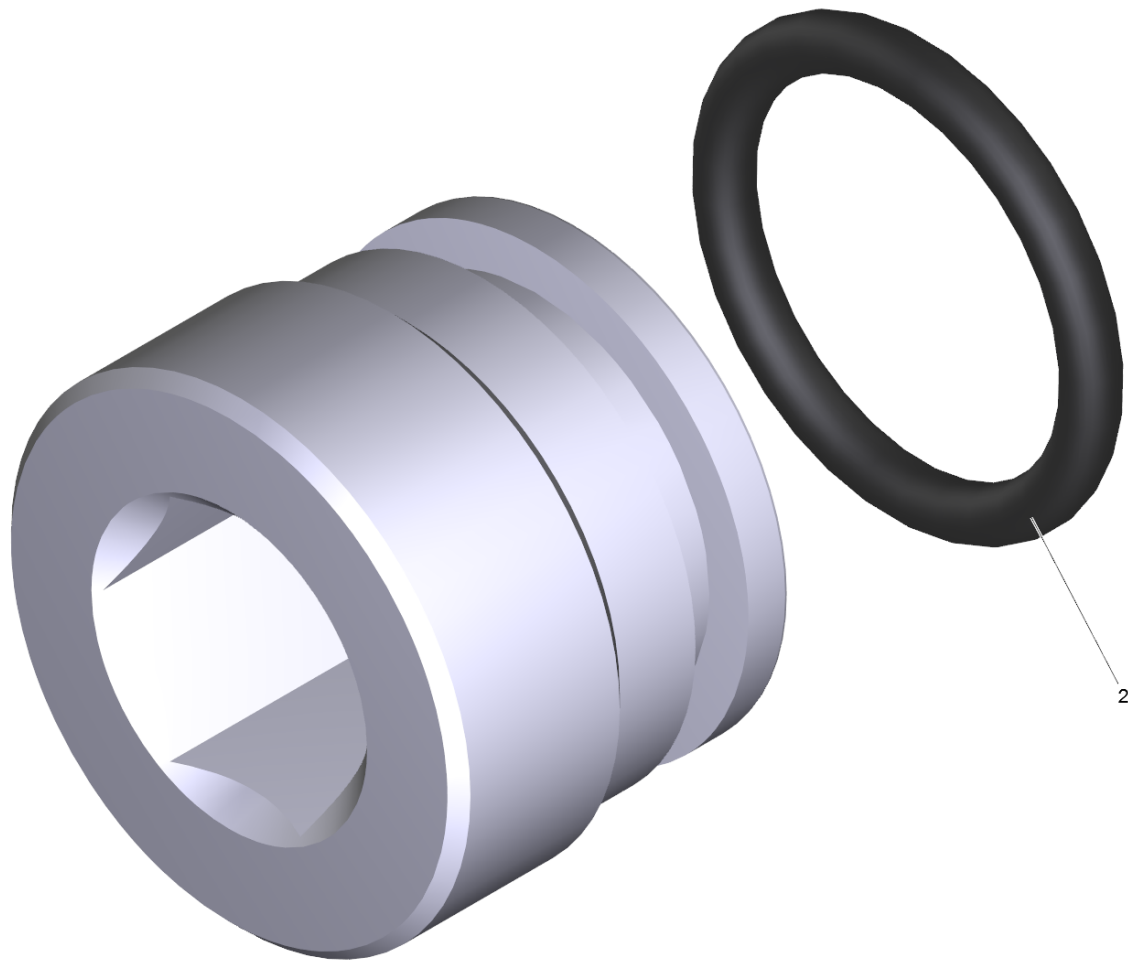
4 Cylinder head complete -H

POS	Article no.	Description	Quantity	Unit
1	4.550-976.0	Spare part set cylinder head HD	1	ST
2	4.064-023.0	Suction cover complete only for replacem	1	ST
4		Part at pump set	1	ST
6		Part at pump set	1	ST
7	4.481-256.0	Valve seat complete	1	ST
8	2.885-226.0	Spare part set control piston	1	ST
10	7.401-907.0	Sphere 3/8 G200-1.4301 DIN 5401	1	ST
11	5.332-999.0	Helical spring	1	ST
12	7.306-024.0	Cylinder head screw M6x30 -8.8-A2E ISO4762	4	ST
13	4.769-059.0	Nozzle insert complete	1	ST
16	5.332-258.0	Helical spring	1	ST
17	5.115-999.0	Washer	1	ST
18		Part at pump set	1	ST
19		Part at pump set	1	ST
20	4.483-002.0	Valve screw	4	ST
22		Part at pump set	1	ST
23	5.583-177.0	Valve screw M20x1	2	ST
24	5.411-070.0	Screw plug	2	ST
27	7.401-908.0	Sphere 7 G300 -1.4301 DIN 5401	1	ST
28	5.443-370.0	Nipple	1	ST
29	6.363-331.0	O-Ring seal 9,0 x 1,5	3	ST
30	5.112-757.0	Bush	1	ST
31		Part at pump set	1	ST
36		Part at pump set	1	ST
37	2.885-227.0	Spare part set overflow valve	1	ST
39	6.363-489.0	O-Ring seal 5,28x1,78	1	ST
42	2.885-230.0	Spare part set nozzle insert only for re	1	ST
47	5.332-530.0	Helical spring	1	ST
52	7.311-510.0	Hexagon nut M 8-8-A2E ISO 7040	1	ST



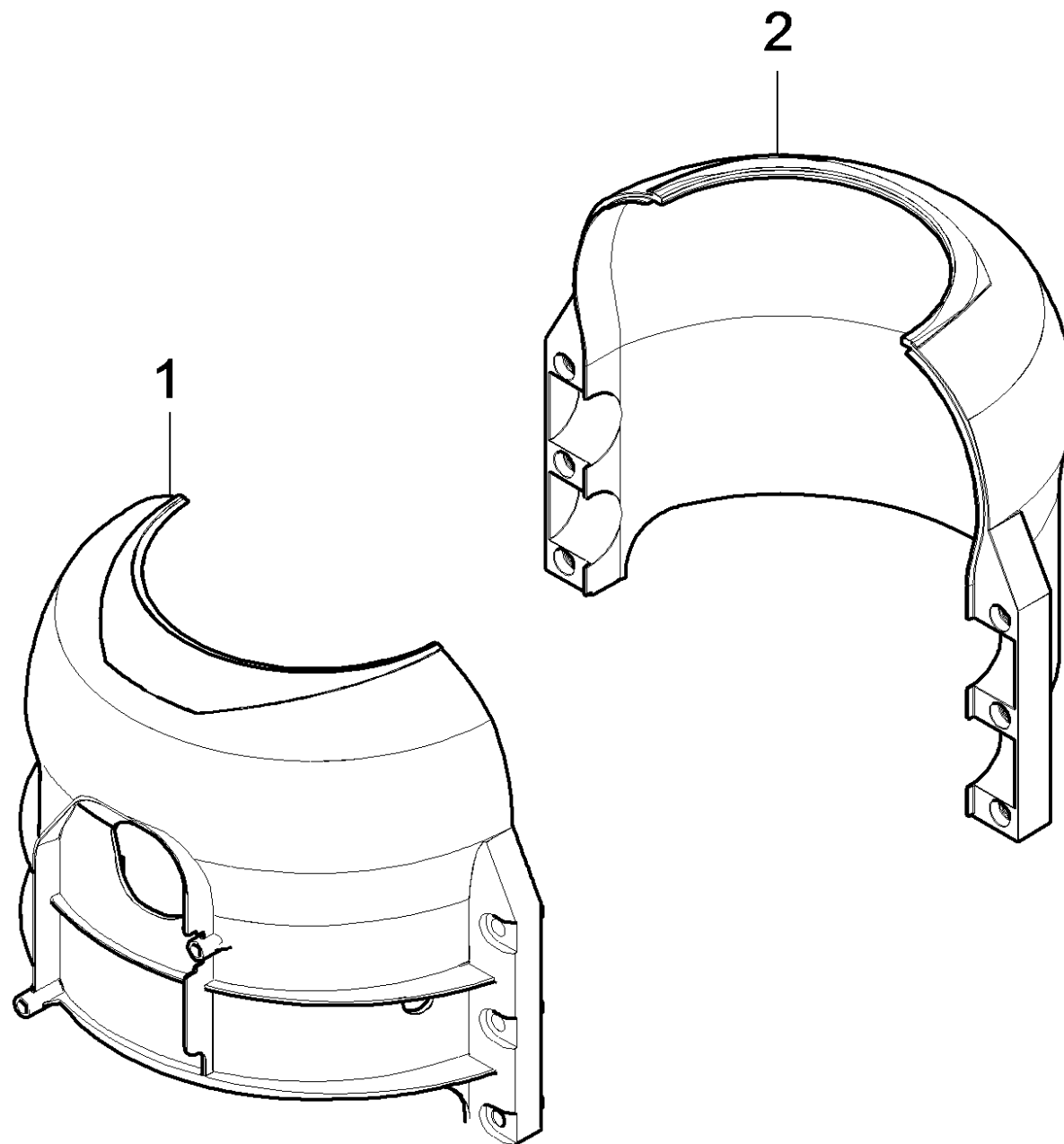
8 Spare part set control piston (2.885-226.0)

POS	Article no.	Description	Quantity	Unit
1	6.363-350.0	O-Ring seal 8.74x1.78	1	ST
3	5.332-511.0	Helical spring	1	ST
4	5.110-947.0	Sleeve	1	ST
6	6.363-330.0	O-Ring seal 2,9 x 1,78	1	ST
8	6.363-452.0	O-Ring seal 11 x 1,5	1	ST
10	6.363-519.0	O-Ring seal 12,00x 2,00	1	ST
14	5.367-030.0	Diaphragm	1	ST



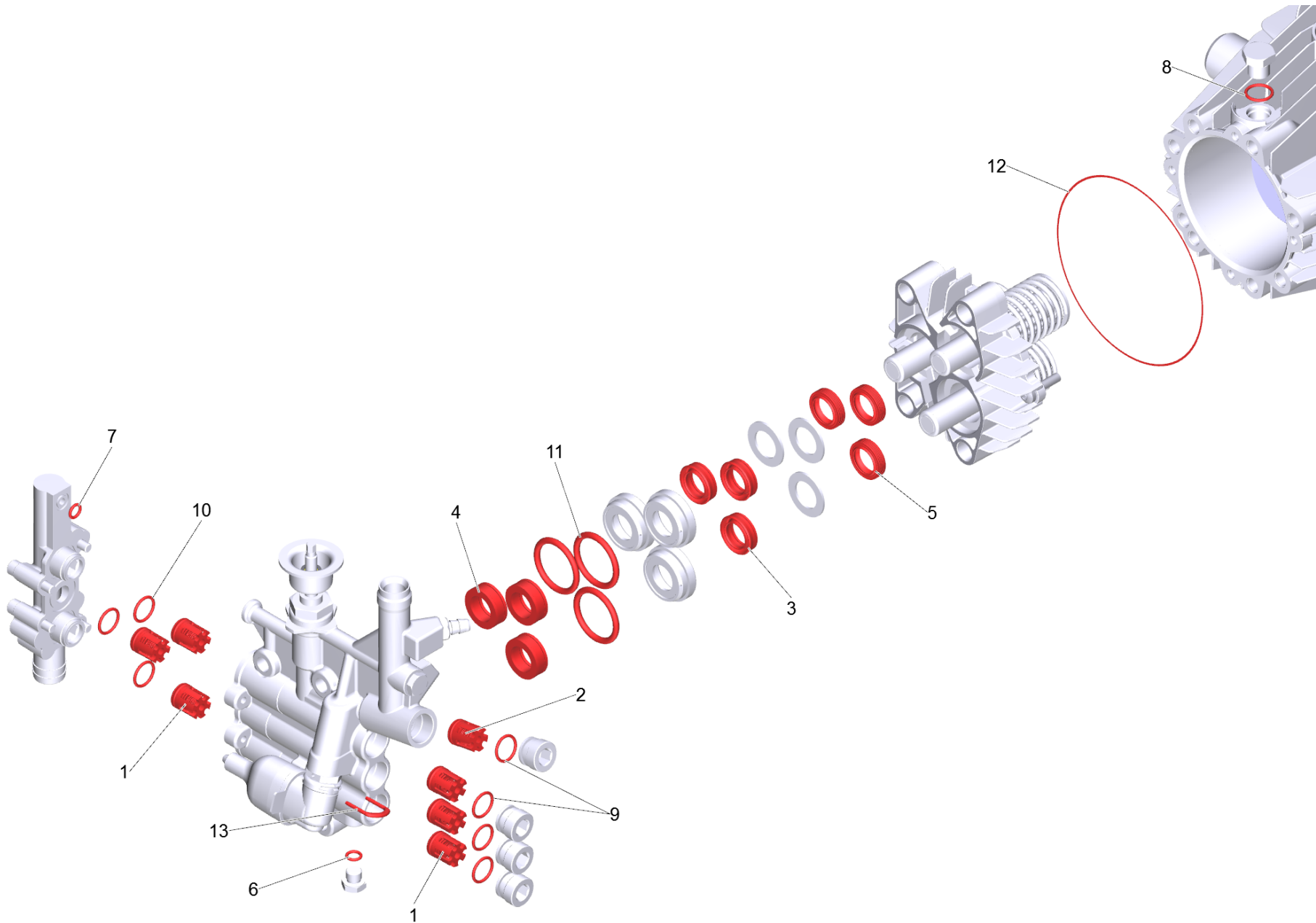
20 Valve screw (4.483-002.0)

POS	Article no.	Description	Quantity	Unit
2	6.363-459.0	O-Ring seal 14 x 2	1	ST



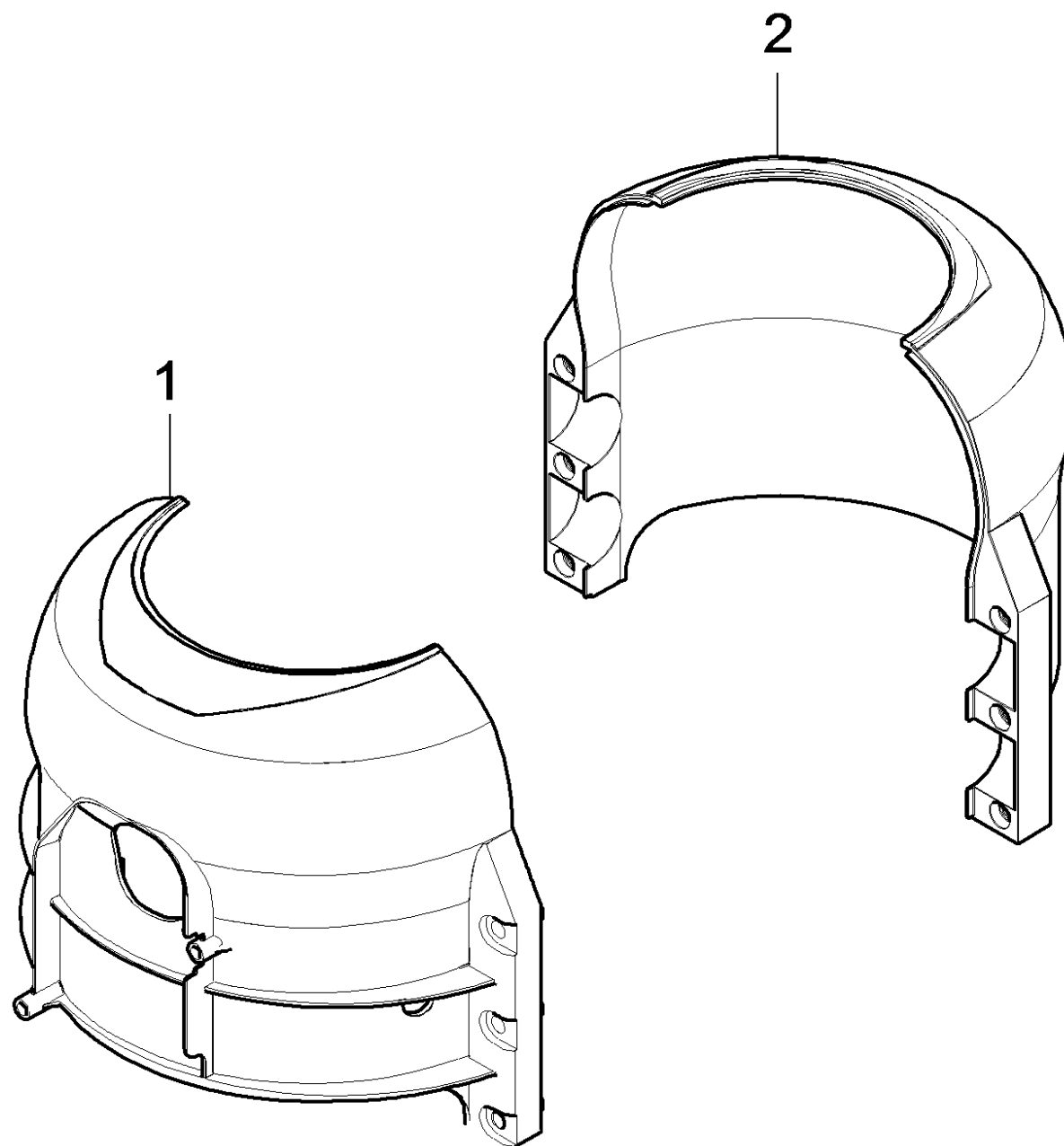
13 Spare part set air circulation (2.885-228.0)

POS	Description	Quantity	Unit
1	Air circulation front	1	ST
2	Air circulation rear	1	ST



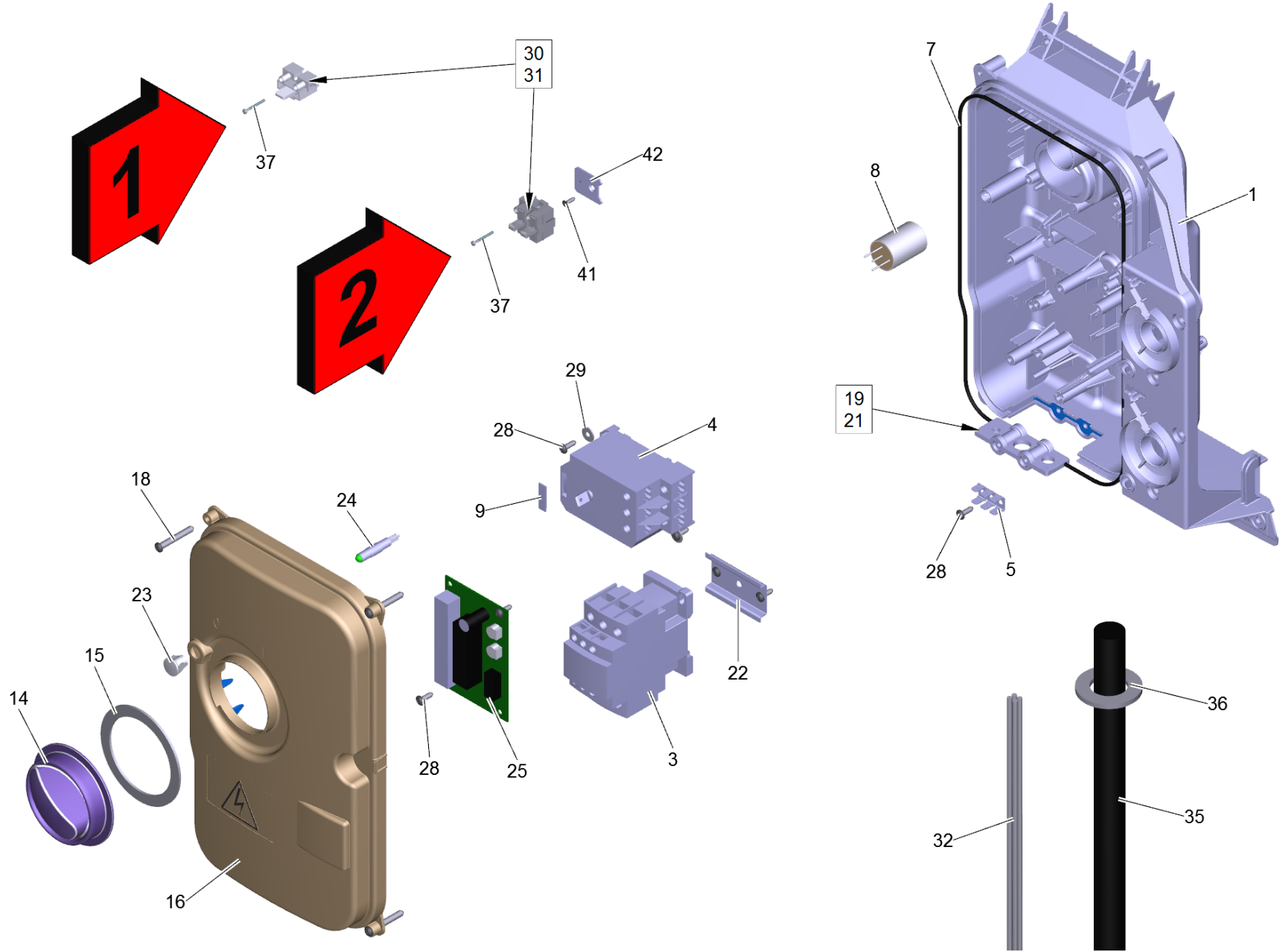
100 Pump set HD 7/16-4 ST-H (2.885-317.0)

POS	Article no.	Description	Quantity	Unit
1	2.885-139.0	Valve (3Stueck)	2	ST
2	4.580-734.0	Valve complete	1	ST
3	2.885-432.0	Set of gaskets ND PTFE (3x)	1	ST
4	2.885-237.0	Set of gaskets high pressure W1 (3 Stuec	1	ST
5	6.365-560.0	Grooved ring 18x26x7/6	3	ST
6	6.363-496.0	O-Ring seal 7,0x2,0	3	ST
7	6.363-492.0	O-Ring seal 8,0x1,5	1	ST
8	6.363-498.0	O-Ring seal 11,0x2,0 HNBR	1	ST
9	6.363-459.0	O-Ring seal 14 x 2	3	ST
10	6.363-494.0	O-Ring seal 20,0x1,5	3	ST
11	6.363-462.0	O-Ring seal 33,05 x 1,78	3	ST
12	6.363-618.0	O-Ring seal 88.57 x 2.62 HNBR 70 Shore	1	ST
13	5.034-494.0	Retaining bracket	1	ST
14	6.288-072.0	Silicon grease	1	ST



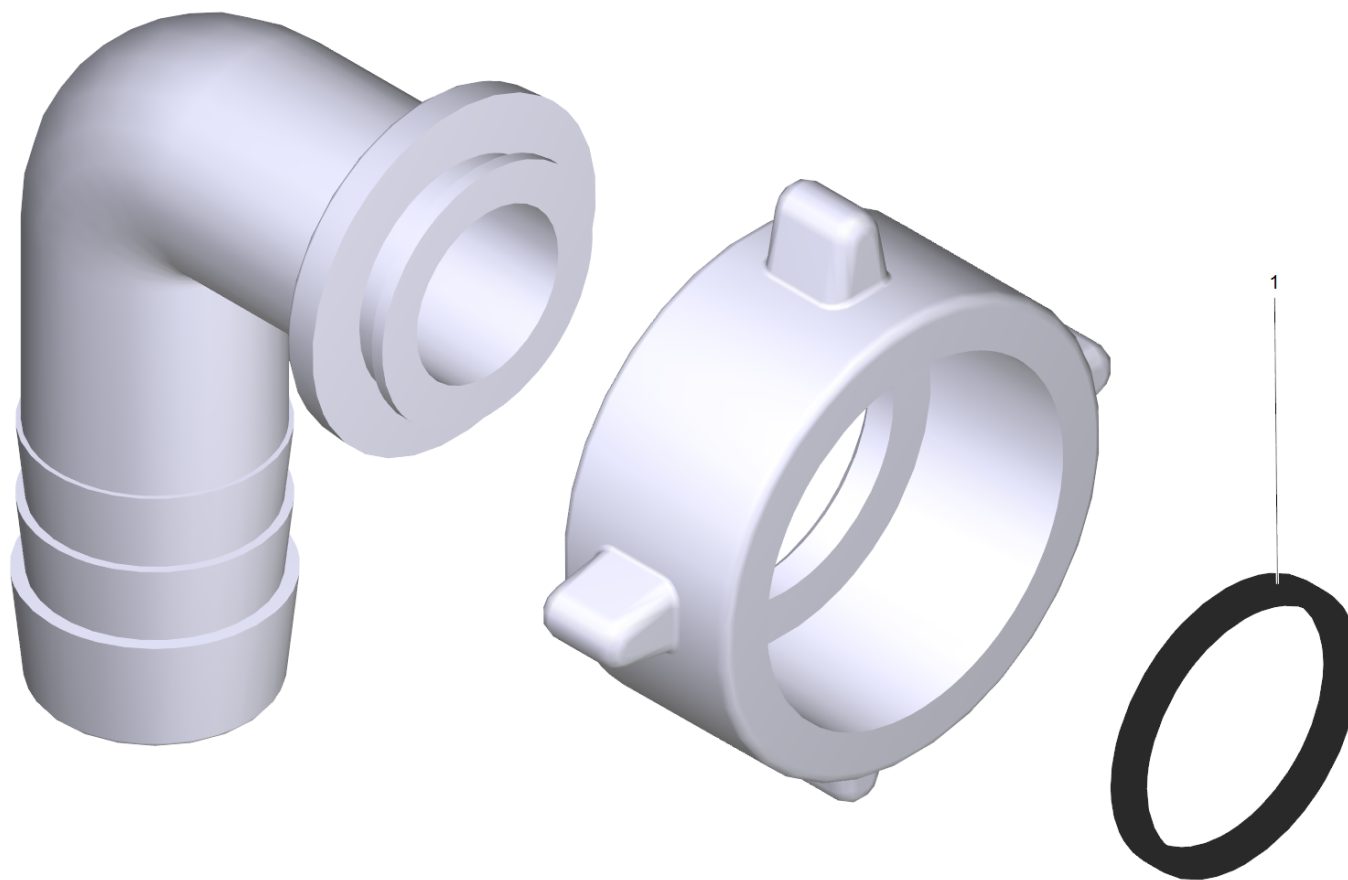
3 Spare part set air circulation (2.885-228.0)

POS	Description	Quantity	Unit
1	Air circulation front	1	ST
2	Air circulation rear	1	ST



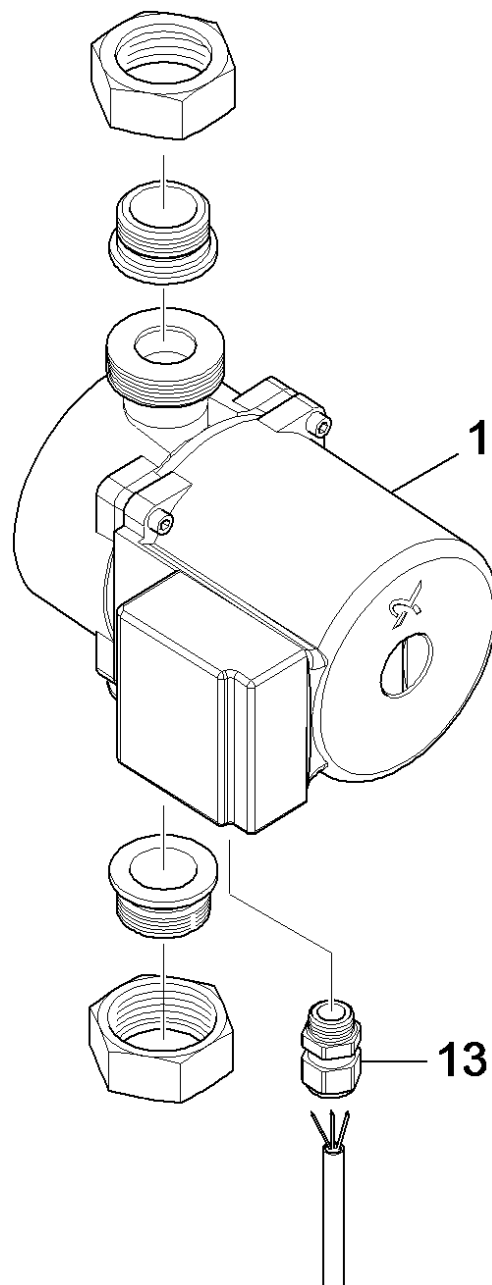
4 Electric control box HD-ST 7/16 230V

POS	Article no.	Description	Quantity	Unit	Foot note text
1	5.062-336.0	Housing electric control box	1	ST	
3	6.632-334.0	Power contactor LC1 D32 B7	1	ST	
4	6.631-190.0	Motor protecting switch	1	ST	
5	6.641-270.0	Plug	1	ST	
7	6.273-037.0	Seal string cellular rubber 3	0,8	M	
8	6.661-302.0	Interference suppressor triple-pole	1	ST	
9	6.630-049.0	Cap	1	ST	
14	5.321-692.0	Handle	1	ST	
15	5.363-616.0	Joint ring	1	ST	
16	5.064-413.0	Cover electric control box	1	ST	
18	7.303-085.0	Screw 4x 35 -10.9-R2R (K-In6Rd)	4	ST	
19		Tensioning part 13/14/7	2	ST	
21		Sheet metal screw ST3,9x45 -St-A2K-C-H I	2	ST	
22	5.802-261.0	Mounting part	1	ST	
23	6.651-506.0	Lens housing	1	ST	
24	6.651-505.0	Pilot lamp	1	ST	
25	6.984-610.0	Circuit board control system HD-ST	1	ST	
28	7.303-106.0	Screw 4x12 -10.9-R2R (IN6RD)	7	ST	
29	7.312-281.0	Washer 4 -200HV-A2E ISO7093-1	2	ST	
30	6.643-336.0	Strip terminal	2	ST	VERSION 1
30	6.643-471.0	Strip terminal with fuse	2	ST	VERSION 2
31	6.644-070.0	Fuse insert medium time-lag G-5,0A	2	ST	
32	6.650-139.0	Cable harness HD-ST EU II	1	ST	
35	6.649-441.0	Cable without plug	1	ST	
36	7.312-098.0	Washer 27 -PA6.6-Natur ISO 7089	1	ST	
37	6.303-245.0	Cylinder head screw 3X18-ST-A2E	1	ST	VERSION 1
37	7.306-045.0	Screw M2x20 -4.8-A2K DIN 84	1	ST	VERSION 2
41	7.303-119.0	Countersunk screw 3x10 -10.9-R2R (In6Rd)	1	ST	VERSION 2
42	5.013-470.0	Plate clamp	1	ST	VERSION 2



12 Elbow screw connector R1" (6.391-867.0)

POS	Article no.	Description	Quantity	Unit
1	6.362-358.0	Seal	1	ST

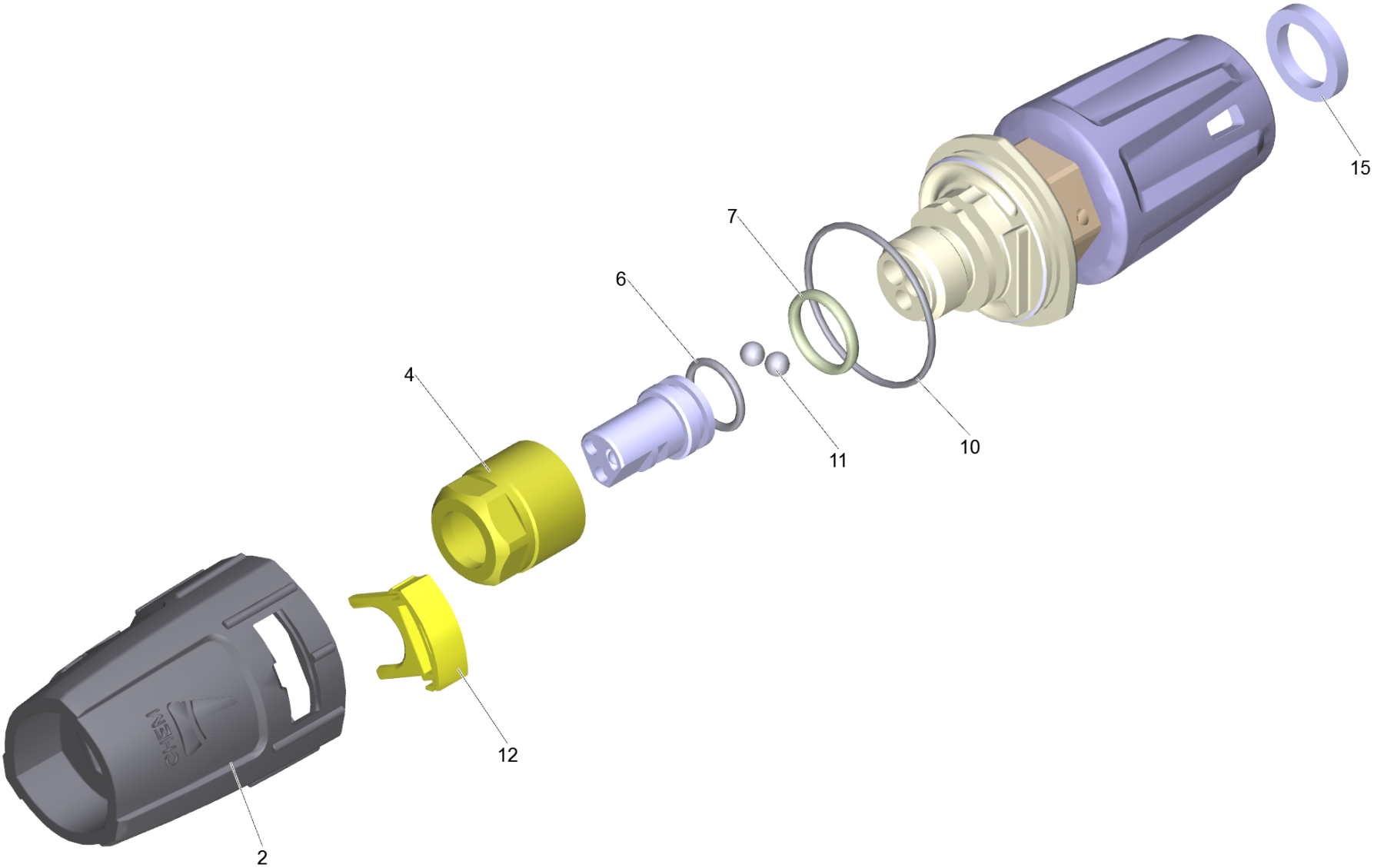


13 Circulation pump (4.540-133.0)

POS	Article no.	Description	Quantity	Unit
1	6.473-533.0	Admission pressure pump one-pole	1	ST
13	6.641-357.0	Cable gland PG11	1	ST

40 Triple jet nozzle TR 040 (4.117-033.0)

POS	Description	Quantity	Unit
1	Triple jet nozzle TR 040	1	ST

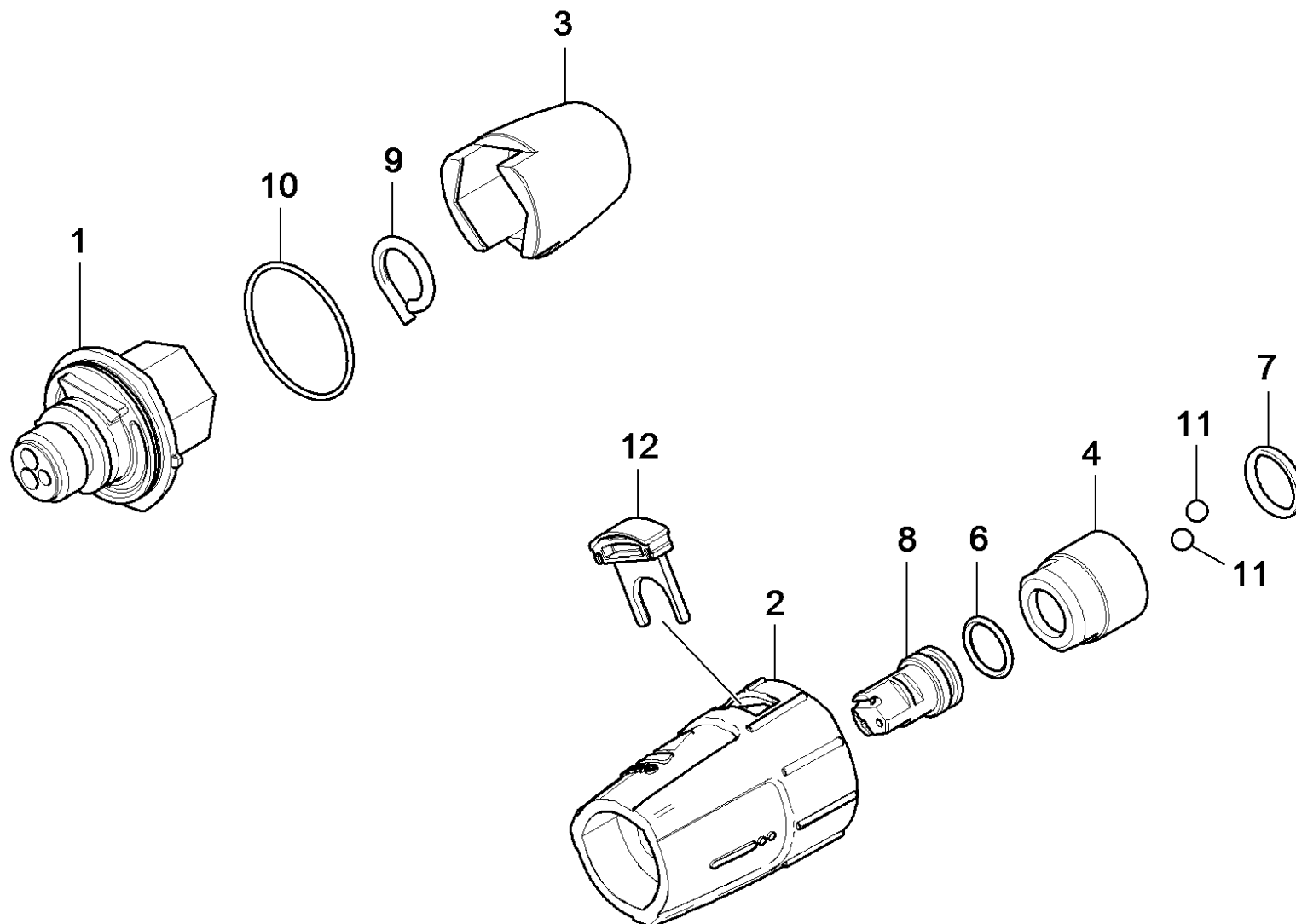


1 Triple jet nozzle TR 040

POS	Article no.	Description	Quantity	Unit
2	5.394-859.0	Protection part	1	ST
4	5.311-225.0	Nut	1	ST
6	6.362-480.0	O-Ring seal 12,42x 1,78	1	ST
7	6.362-460.0	O-Ring seal 14,0 X 2,5-NBR 70	1	ST
10	6.362-409.0	O-Ring seal 32,0 X 1,5	1	ST
11	7.401-902.0	Sphere 5 G20 -1.4034 DIN 5401	2	ST
12	5.321-884.0	Clamp	1	ST
15	6.363-696.0	Brake ring 14x20x3	1	ST

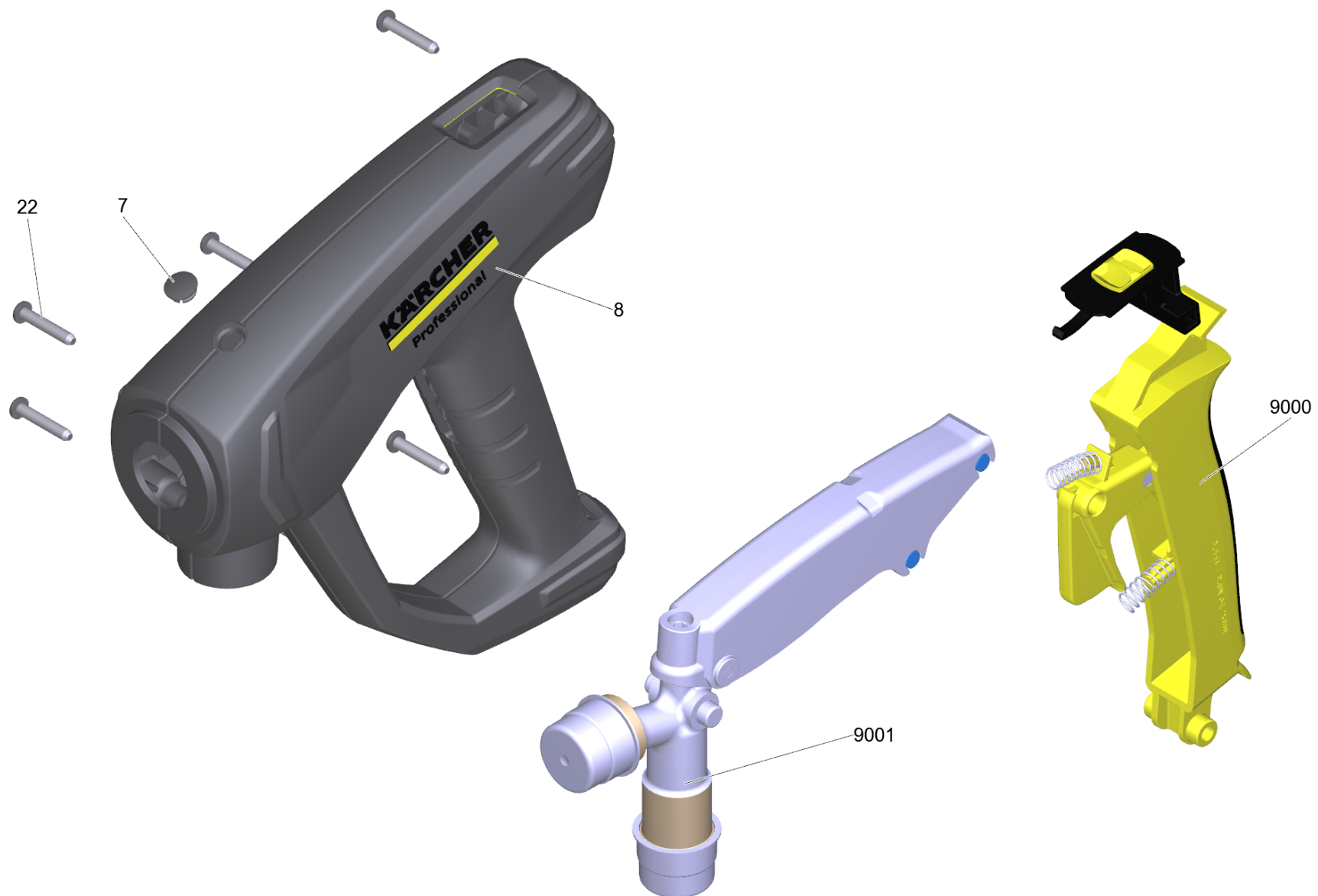
40 Triple jet nozzle only for replacement 0 (4.767-150.0)

POS	Article no.	Description	Quantity	Unit
1	4.767-136.0	Triple jet nozzle 040	1	ST



1 Triple jet nozzle 040 (4.767-136.0)

POS	Article no.	Description	Quantity	Unit
2	5.394-859.0	Protection part	1	ST
3	5.394-530.0	Protection part complete	1	ST
4	5.311-225.0	Nut	1	ST
6	6.362-480.0	O-Ring seal 12,42x 1,78	1	ST
7	6.362-460.0	O-Ring seal 14,0 X 2,5-NBR 70	1	ST
8	5.415-603.0	Triple jet nozzle 040	1	ST
9	6.343-150.0	Pin 03	1	ST
10	6.362-409.0	O-Ring seal 32,0 X 1,5	1	ST
11	7.401-902.0	Sphere 5 G20 -1.4034 DIN 5401	2	ST
12	5.321-884.0	Clamp	1	ST

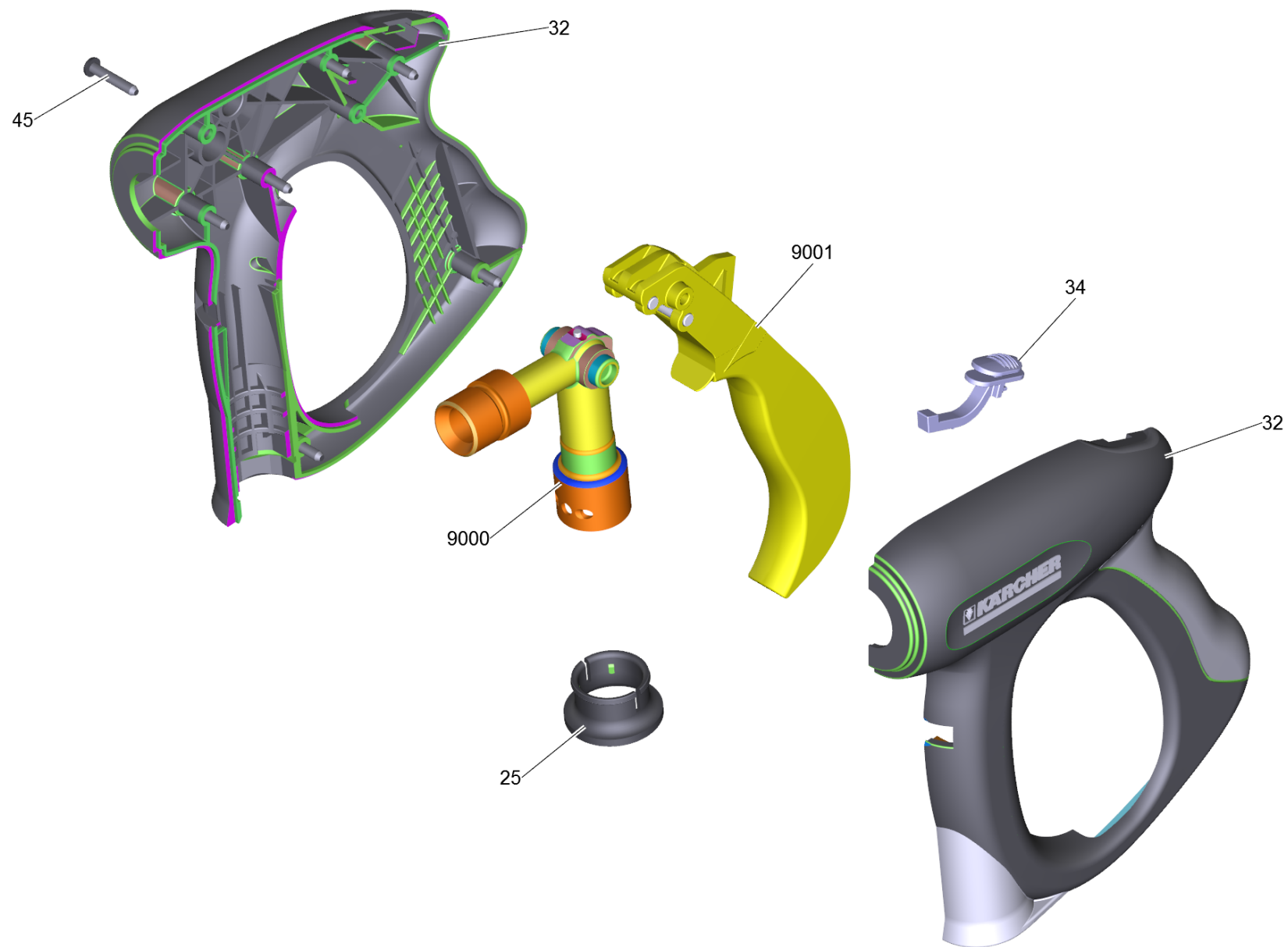


41 EASY!Force Advanced (4.118-005.0)

POS	Article no.	Description	Quantity	Unit
7	5.132-001.0	Plug	1	ST
8	5.321-136.3	Handhold few EH 155 only for replacement	1	ST
22	7.303-096.0	Screw 4x22 -ST-10.9-R2R (IN6RD)	7	ST
9000	2.885-483.0	Spare part set lever	1	ST
9001	4.427-014.0	Manifold TR EH 155 nur fuer Ersatz	1	ST

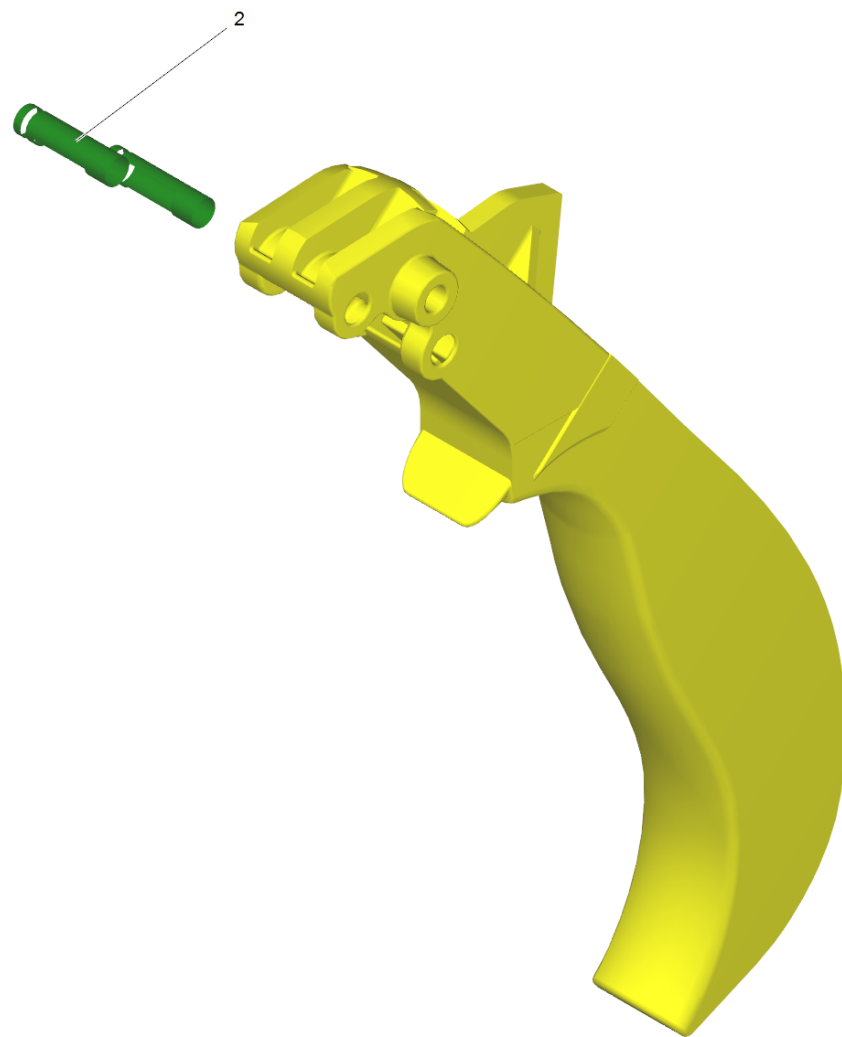
9000 Spare part set lever (2.885-483.0)

POS	Article no.	Description	Quantity	Unit
4	5.332-178.0	Helical spring	2	ST



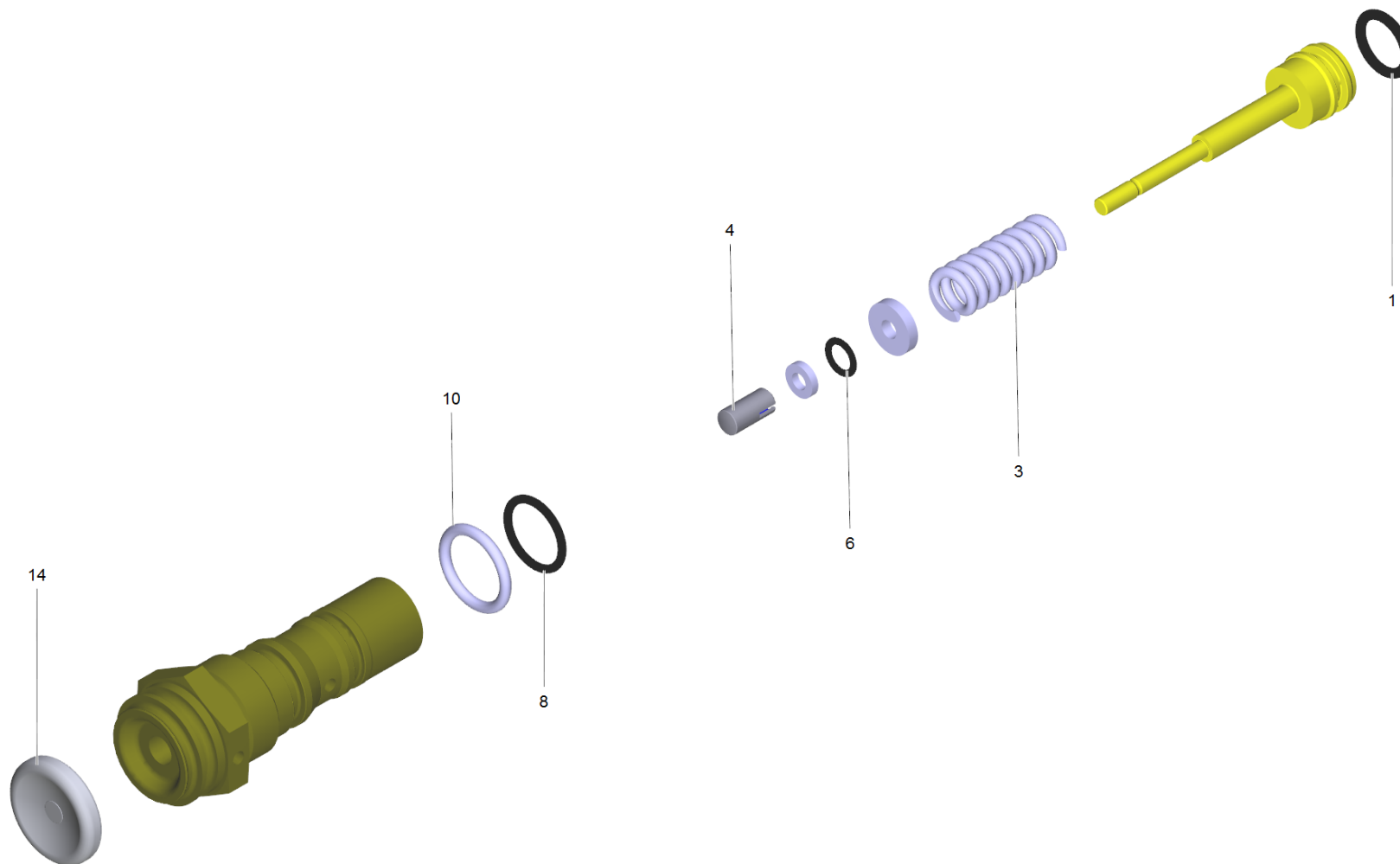
41 Hand trigger gun (4.775-448.0)

POS	Article no.	Description	Quantity	Unit
25	5.110-596.0	Sleeve	1	ST
32	5.321-669.3	Handhold few	1	ST
34	5.481-331.0	Slider	1	ST
45	7.303-096.0	Screw 4x22 -ST-10.9-R2R (IN6RD)	7	ST
9000	4.427-215.0	Manifold complete only for replacement	1	ST
9001	4.481-209.0	Lever complete	1	ST



9001 Lever complete (4.481-209.0)

POS	Article no.	Description	Quantity	Unit
2	5.314-119.0	Pin	2	ST

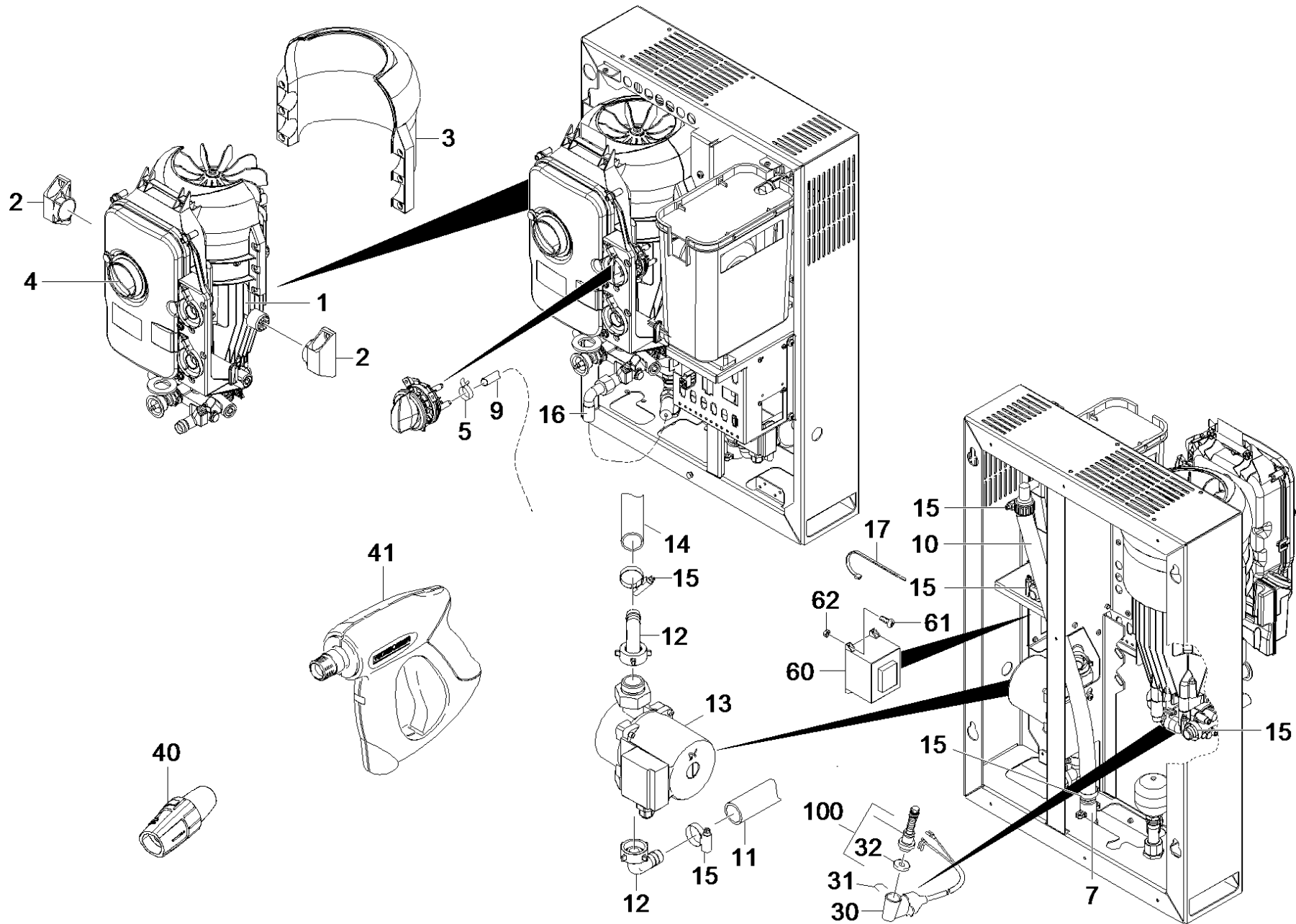


100 Spare part set control piston (2.885-226.0)

POS	Article no.	Description	Quantity	Unit
1	6.363-350.0	O-Ring seal 8.74x1.78	1	ST
3	5.332-511.0	Helical spring	1	ST
4	5.110-947.0	Sleeve	1	ST
6	6.363-330.0	O-Ring seal 2,9 x 1,78	1	ST
8	6.363-452.0	O-Ring seal 11 x 1,5	1	ST
10	6.363-519.0	O-Ring seal 12,00x 2,00	1	ST
14	5.367-030.0	Diaphragm	1	ST

31 Pump set complete HD 9/18-4 ST-H 220-240V 60Hz

POS	Article no.	Description	Quantity	Unit
1000	2.532-025.3	Spare parts list pump set complete HD 9/	1	ST

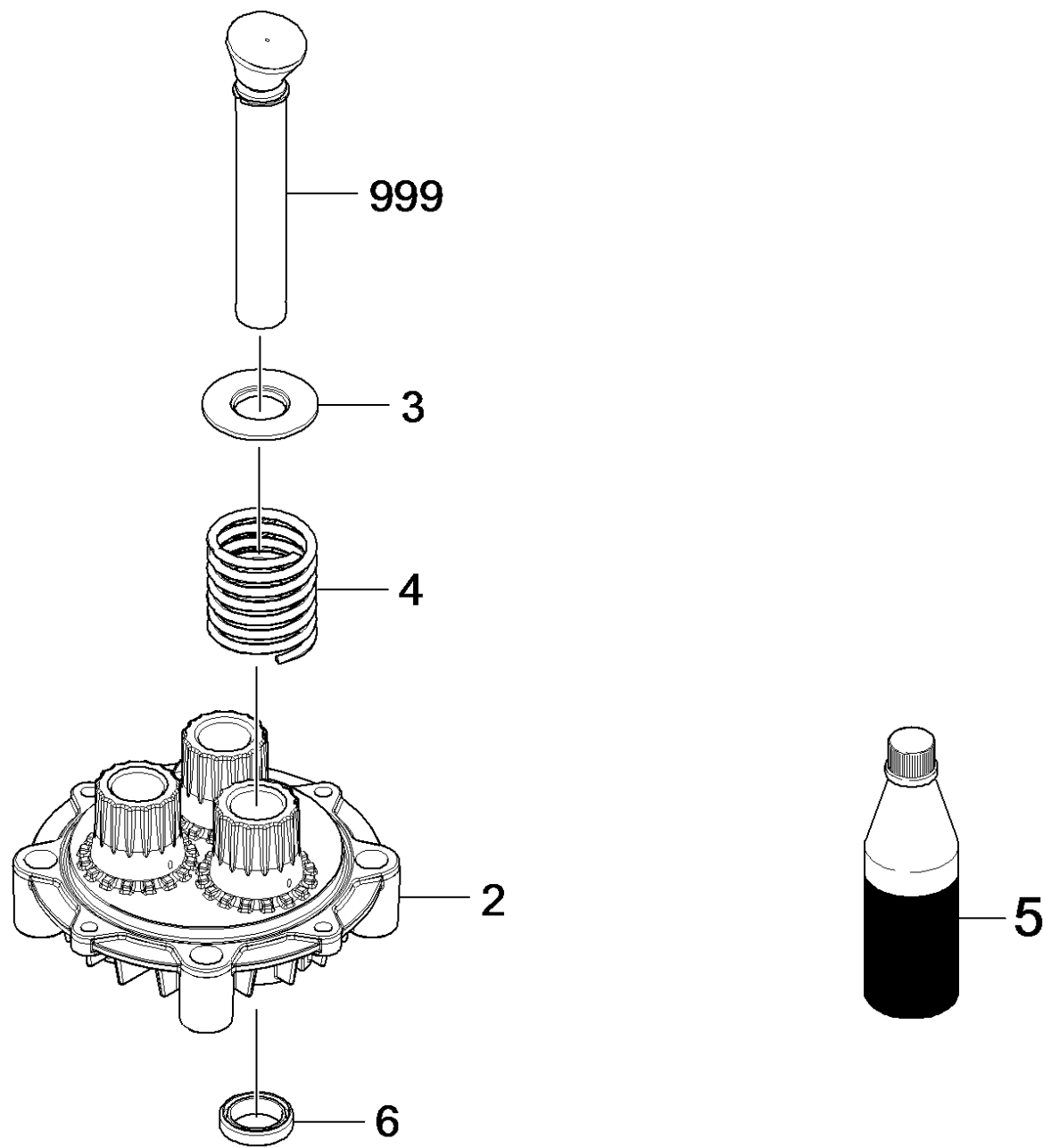


1000 Spare parts list pump set complete HD 9/ (2.532-025.3)

POS	Article no.	Description	Quantity	Unit	Remark
1		Pump set HD 9/18-4 ST-H 60Hz	1	ST	
2	5.044-998.0	Holder	2	ST	
3	2.885-228.0	Spare part set air circulation	1	ST	
4		Electric control box HD-ST 230V	1	ST	
5	6.390-133.0	Hose clip	2	ST	
6	7.306-190.0	Screw M6x8 -A2-70 (In6Rd)	2	ST	
7	5.427-432.0	Manifold	1	ST	
8	7.312-026.0	Washer 6 -A2 ISO 7089	2	ST	
9	6.388-247.0	Hose DN8 -PVC	1	M	
10	6.388-719.0	Hose DN17	1	M	
11	5.443-628.0	Hose	1	ST	
12	6.391-867.0	Elbow screw connector R1"	2	ST	
13	4.540-133.0	Circulation pump	1	ST	
14	6.388-293.0	Elbow hose	1	ST	
15	7.373-022.0	Hose clip A-16-27x9 -W2-2 DIN3017	6	ST	
16	6.392-198.0	Hose assembly DN8 40MPa 0,46m	1	ST	
17	6.641-465.0	Cable tape	1	ST	
30	4.744-242.0	Switch kpl. -nur für Ersatz-	1	ST	
31	5.034-494.0	Retaining bracket	1	ST	
32	5.367-030.0	Diaphragm	1	ST	
40	4.117-039.0	Triple jet nozzle TR 055	1	ST	1.524-950.2
40	4.767-066.0	Triple jet nozzle 055	1	ST	1.524-500.2
41	4.118-005.0	EASY!Force Advanced	1	ST	1.524-950.2
41	4.775-463.0	HAND TRIGGER GUN EASY PRESS	1	ST	1.524-500.2
60	6.622-336.0	Control transformer 96VA - EI78/40,5 230	1	ST	
61	7.306-058.0	Screw M 4X 12- 8.8-R2R K-IN6RD	4	ST	
62	7.311-569.0	Square nut M4 -04-A2E DIN 562	4	ST	
100	2.885-226.0	Spare part set control piston	1	ST	

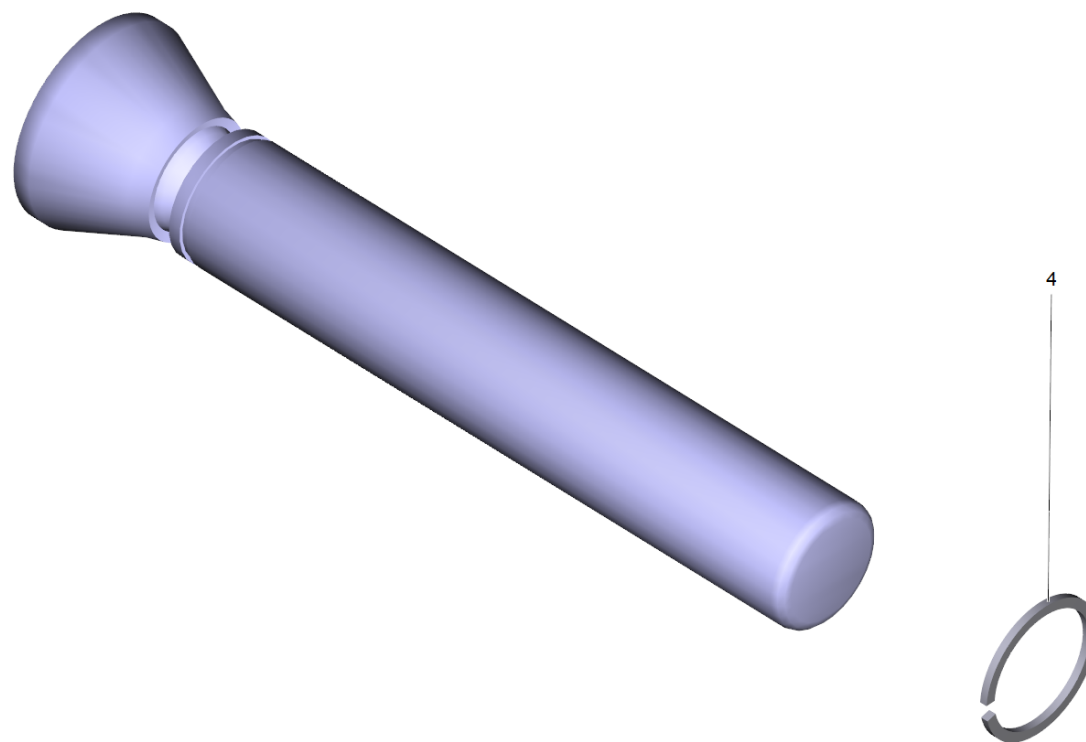
1 Pump set HD 9/18-4 ST-H 60Hz

POS	Article no.	Description	Quantity	Unit
2		Thrust guidance complete	1	ST
3	4.624-222.0	Motor complete only for replacement	1	ST
4		Cylinder head complete -H	1	ST
6	5.011-428.0	Plate bracket	1	ST
7	5.044-918.0	Retaining plate box oil	1	ST
8	5.064-457.0	Cover plate qusty grey oil	1	ST
9	5.070-831.0	Tank oil	1	ST
14	6.643-151.0	Strip terminal one-pole 16mm ²	1	ZST
18	7.306-180.0	Screw M5x10-A2-70 (In6Rd)	1	ST
20	5.767-005.0	Rubber buffer	4	ST
21	5.365-341.0	Profile gasket long	1	ST
23	6.288-016.0	Gear oil 1L	1	ST
26	6.363-499.0	O-Ring seal 28,0x3,0	1	ST
27	5.115-255.0	Washer	3	ST
32	5.112-866.0	Bush	3	ST
33	5.132-187.0	Plug	1	ST
45	4.820-578.0	Cable green/yellow 1,5mm ² x450mm	1	ST
50	7.303-031.0	Screw M4x10 -St-P2R (In6Rd)	1	ST
60	7.306-105.0	Screw M6x30 -8.8-R3R (In6Rd)	2	ST
65	7.306-155.0	Cylinder head screw M12x100 -8.8-A3E IS	4	ST
70	7.303-039.0	Screw M5x16 -St-P2R (In6Rd)	3	ST
100	2.885-318.0	Pump set HD 9/18 ST-H	1	ST



2 Thrust guidance complete

POS	Article no.	Description	Quantity	Unit
2	5.061-185.3	Thrust guidance	1	ST
3	5.116-310.0	Washer	3	ST
4	5.332-550.0	Helical spring	3	ST
5	6.288-016.0	Gear oil 1L	1	ST
6		Part at pump set	1	ST
999	4.553-279.0	Piston complete	3	ST

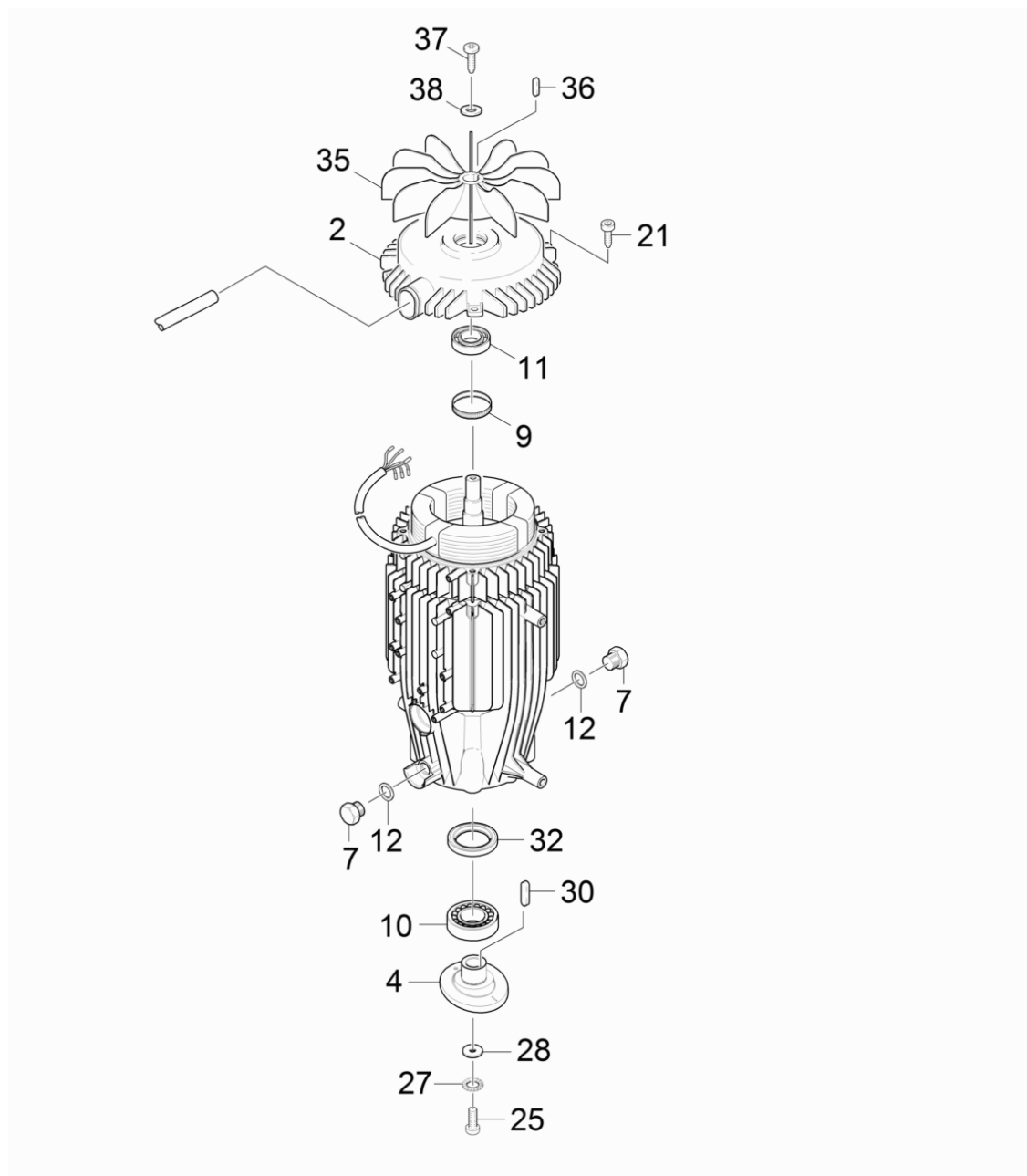


999 Piston complete (4.553-279.0)

POS	Article no.	Description	Quantity	Unit
4	6.472-331.0	Snap ring 20	1	ST

3 Motor complete only for replacement (4.624-222.0)

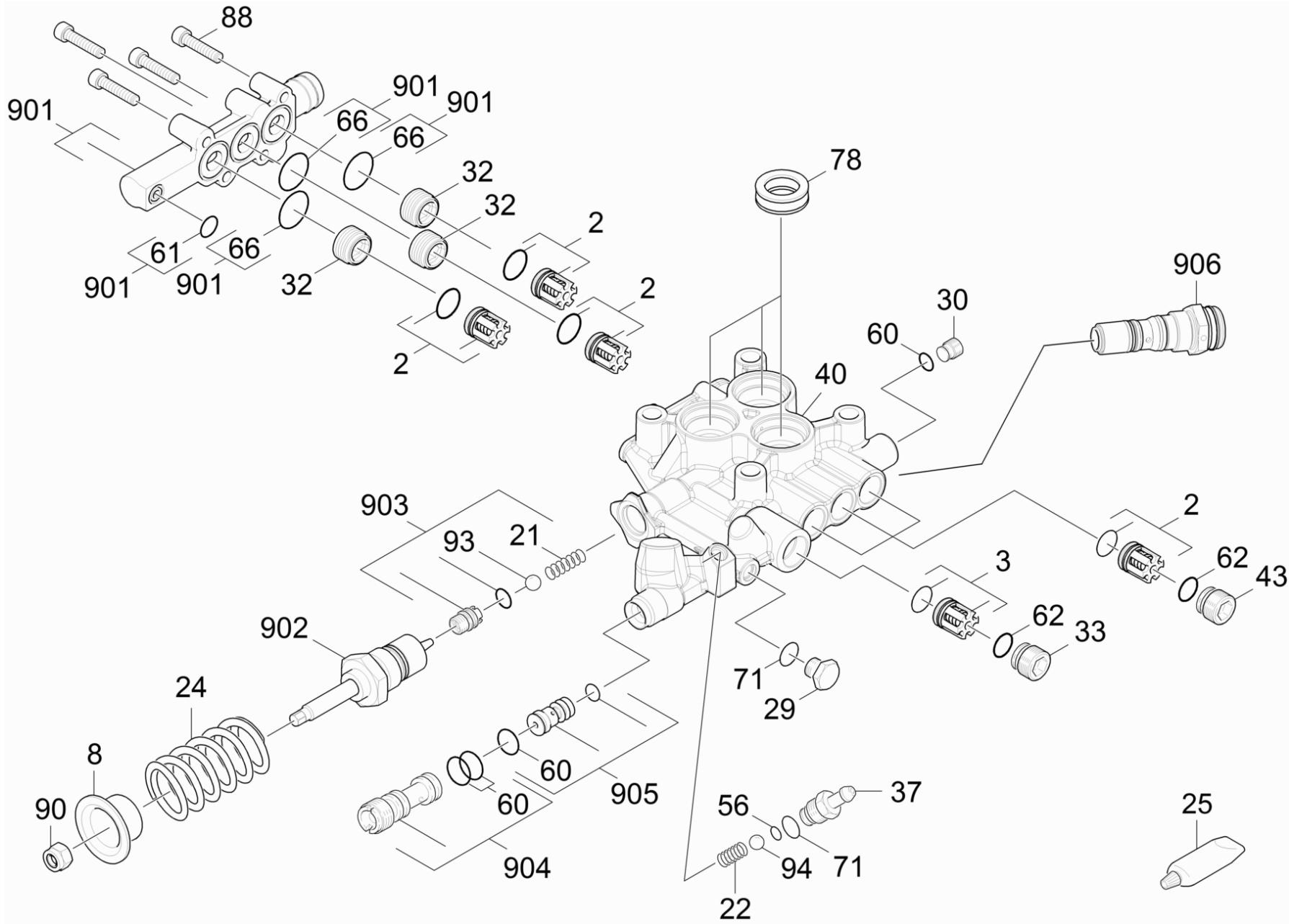
POS	Description	Quantity	Unit
1	Motor complete HD 9/18-4ST 60Hz	1	ST



1 Motor complete HD 9/18-4ST 60Hz

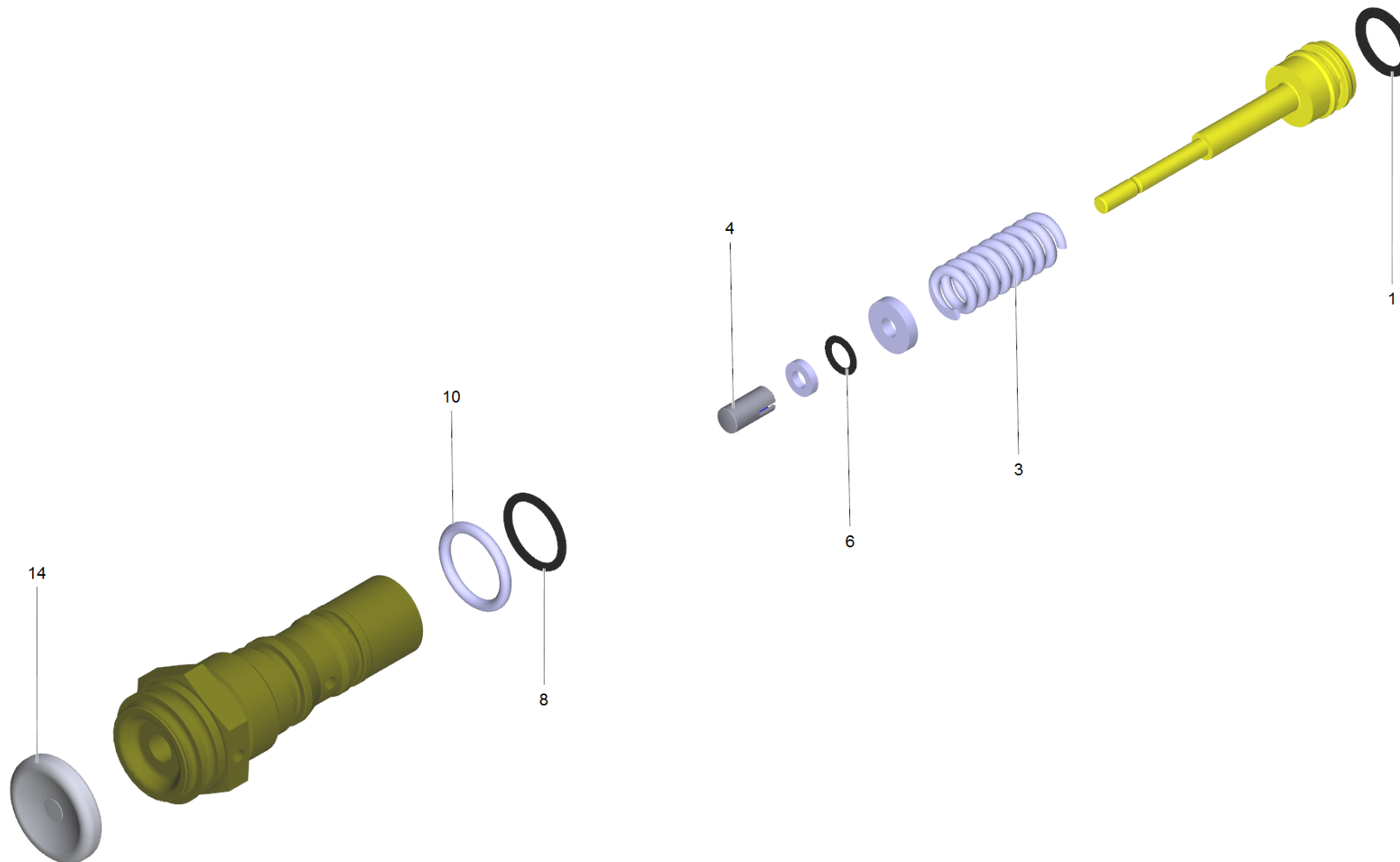
POS	Article no.	Description	Quantity	Unit
2	5.063-707.0	Bearing cover B	1	ST
4	4.120-266.0	Wobble plate only for replacement	1	ST
7	5.411-100.0	Screw plug	2	ST
9	6.343-171.0	Tolerance ring	1	ST
10	6.401-405.0	Taper roller bearing	1	ST
11	6.401-285.0	Ball bearing 6204 2RS	1	ST
12	6.363-498.0	O-Ring seal 11,0x2,0 HNBR	2	ST
21	7.303-048.0	Screw M6x20 -St-R3R (In6Rd)	4	ST
25	7.306-041.0	Cylinder head screw M8x20 -8.8-A2E ISO	1	ST
27	7.312-159.0	Toothed lock washer A8,4-FST-PH DIN 679	1	ST
28	5.115-565.0	Washer	1	ST
30	7.318-030.0	Parallel key 6x6x25 -C45K DIN 6885-1	1	ST
32	7.367-012.0	Radial shaft seal ring A35x52x7 -FKM DIN	1	ST
35	5.600-046.0	Blower wheel	1	ST
36	7.318-079.0	Parallel key A 5x5x25-C45K DIN 6885	1	ST
37	7.312-260.0	Washer 6 -100HV-A3E ISO 7094	1	ST
38	7.306-092.0	Screw M6x20-ST- 8.8-R3R (IN6RD)	1	ST

4 Cylinder head complete -H



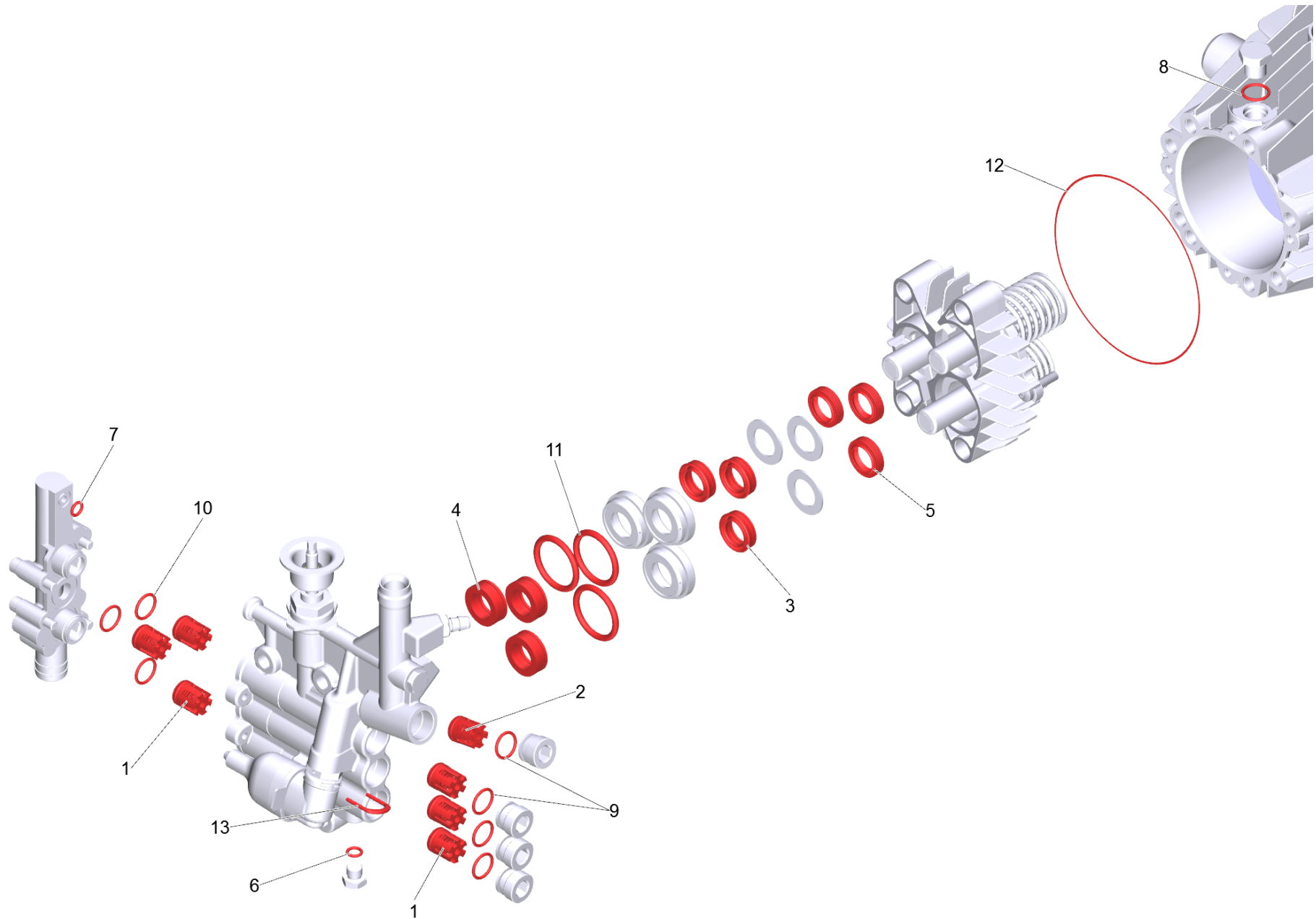
4 Cylinder head complete -H

POS	Article no.	Description	Quantity	Unit
2		Part at pump set	1	ST
3		Part at pump set	1	ST
8	5.112-757.0	Bush	1	ST
21	5.332-999.0	Helical spring	1	ST
22	5.332-258.0	Helical spring	1	ST
24	5.332-530.0	Helical spring	1	ST
25	6.288-044.0	Silicon grease 100 G	1	ST
29	5.411-070.0	Screw plug	1	ST
30	5.411-152.0	Screw plug	1	ST
32	5.583-177.0	Valve screw M20x1	3	ST
33	5.411-166.0	CLOSING SCREW	1	ST
37	5.443-370.0	Nipple	1	ST
40	4.550-977.0	Spare part set cylinder head	1	ST
43	5.583-146.3	Valve screw	3	ST
56	6.363-489.0	O-Ring seal 5,28x1,78	1	ST
60	6.363-331.0	O-Ring seal 9,0 x 1,5	4	ST
61		Part at pump set	1	ST
62		Part at pump set	1	ST
66		Part at pump set	1	ST
71		Part at pump set	1	ST
78		Part at pump set	1	ST
88	7.306-019.0	Cylinder head screw M8x35 -A4-70 ISO 47	4	ST
90	7.311-510.0	Hexagon nut M 8-8-A2E ISO 7040	1	ST
93	7.401-907.0	Sphere 3/8 G200-1.4301 DIN 5401	1	ST
94	7.401-908.0	Sphere 7 G300 -1.4301 DIN 5401	1	ST
901	4.064-024.0	Suction cover complete only for replacem	1	ST
902	2.885-227.0	Spare part set overflow valve	1	ST
903	4.481-256.0	Valve seat complete	1	ST
904	4.769-054.0	Nozzle insert kpl.	1	ST
905	2.885-230.0	Spare part set nozzle insert only for re	1	ST
906	2.885-226.0	Spare part set control piston	1	ST



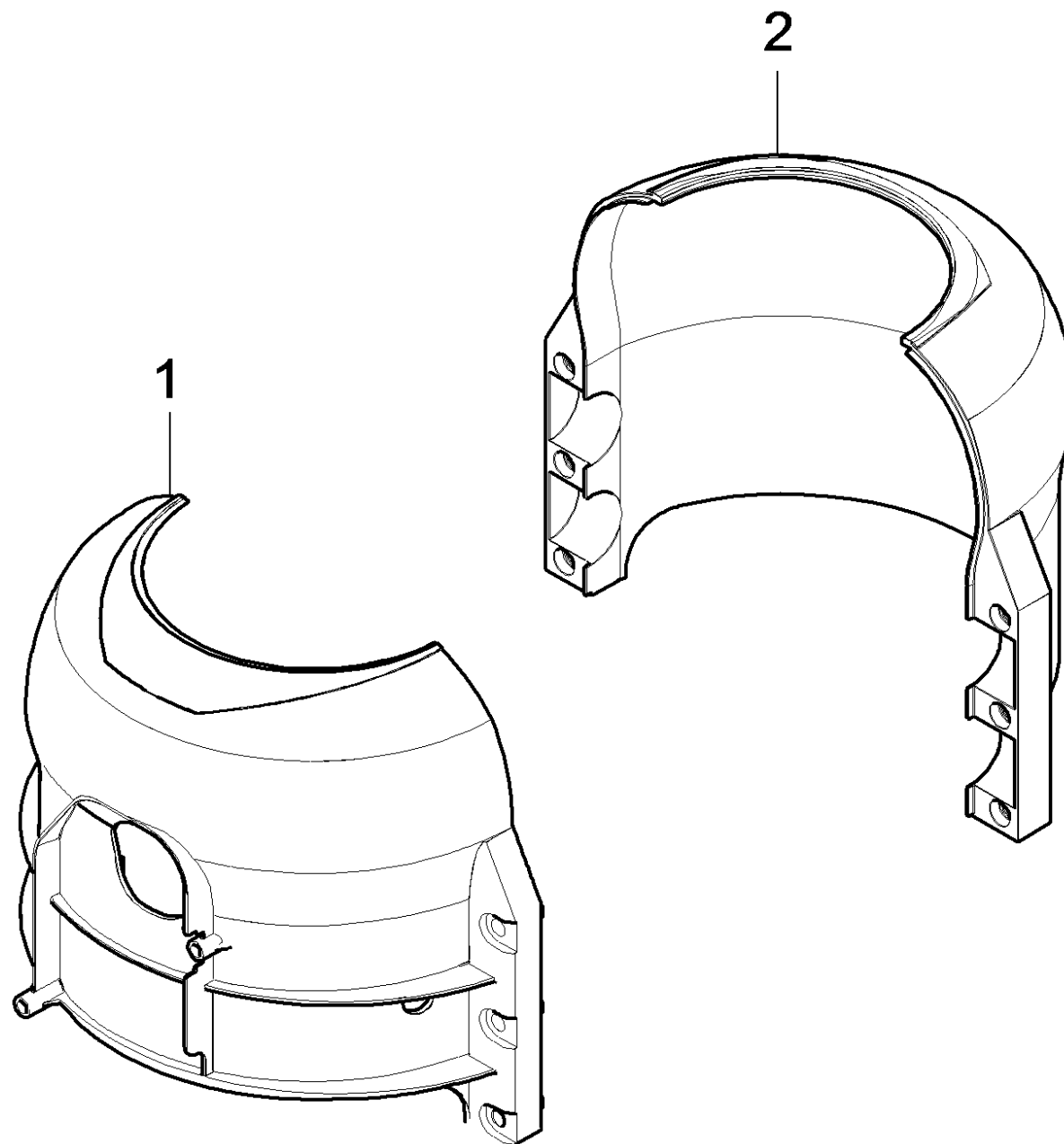
906 Spare part set control piston (2.885-226.0)

POS	Article no.	Description	Quantity	Unit
1	6.363-350.0	O-Ring seal 8.74x1.78	1	ST
3	5.332-511.0	Helical spring	1	ST
4	5.110-947.0	Sleeve	1	ST
6	6.363-330.0	O-Ring seal 2,9 x 1,78	1	ST
8	6.363-452.0	O-Ring seal 11 x 1,5	1	ST
10	6.363-519.0	O-Ring seal 12,00x 2,00	1	ST
14	5.367-030.0	Diaphragm	1	ST



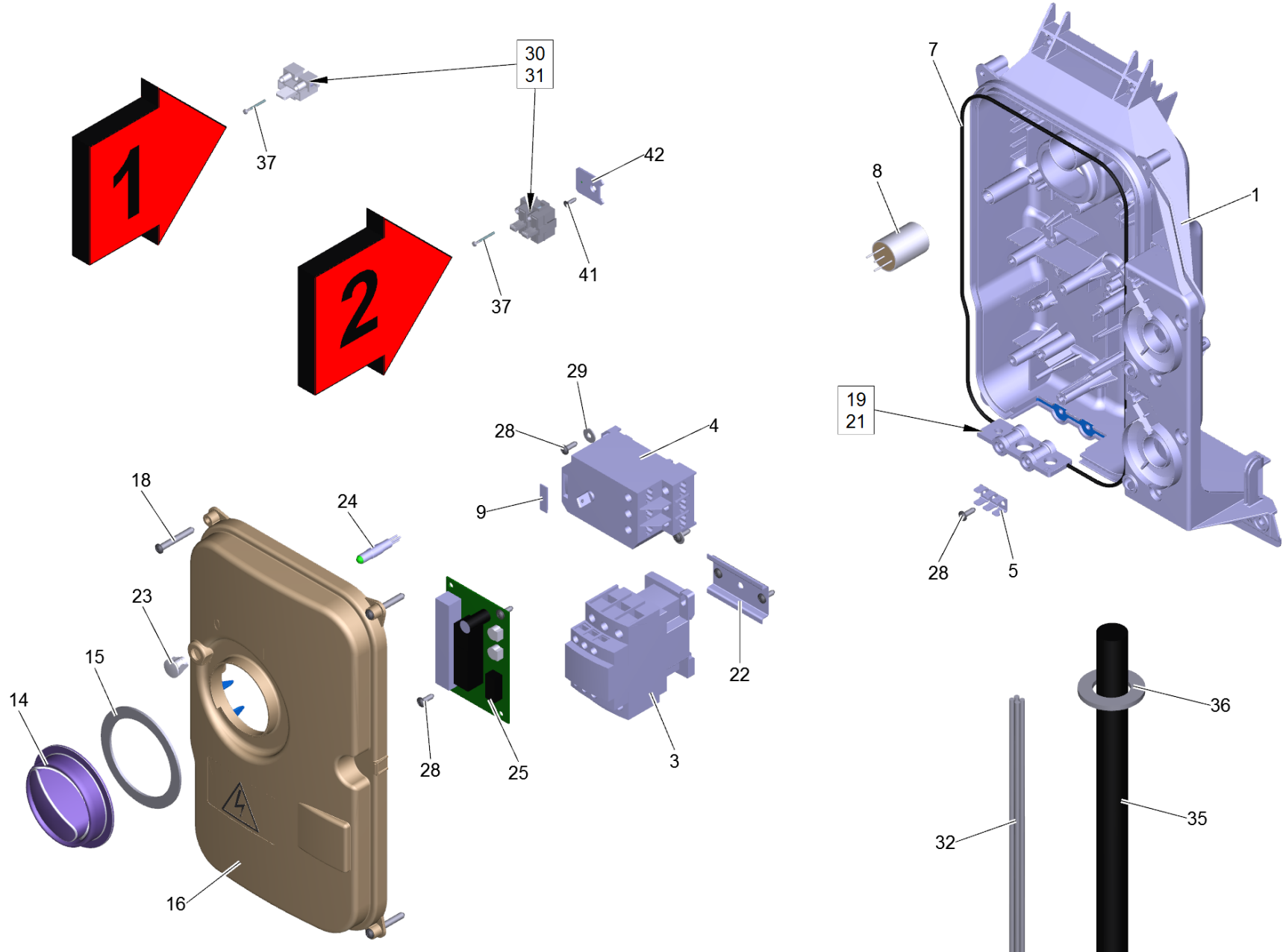
100 Pump set HD 9/18 ST-H (2.885-318.0)

POS	Article no.	Description	Quantity	Unit
1	2.885-139.0	Valve (3Stueck)	2	ST
2	4.580-734.0	Valve complete	1	ST
3	2.885-431.0	Set of gaskets ND PTFE 3x	1	ST
4	2.885-235.0	Set of gaskets high pressure W1 (3 Stuec	1	ST
5	6.365-436.0	Grooved ring 20X28X7/6	3	ST
6	6.363-496.0	O-Ring seal 7,0x2,0	3	ST
7	6.363-492.0	O-Ring seal 8,0x1,5	1	ST
8	6.363-498.0	O-Ring seal 11,0x2,0 HNBR	1	ST
9	6.363-459.0	O-Ring seal 14 x 2	4	ST
10	6.363-494.0	O-Ring seal 20,0x1,5	3	ST
11	6.363-548.0	O-Ring seal 32,0 x 2,0	3	ST
12	6.363-501.0	O-Ring seal 101,27x2,62 HNBR	1	ST
13	5.034-494.0	Retaining bracket	1	ST
14	6.288-072.0	Silicon grease	1	ST



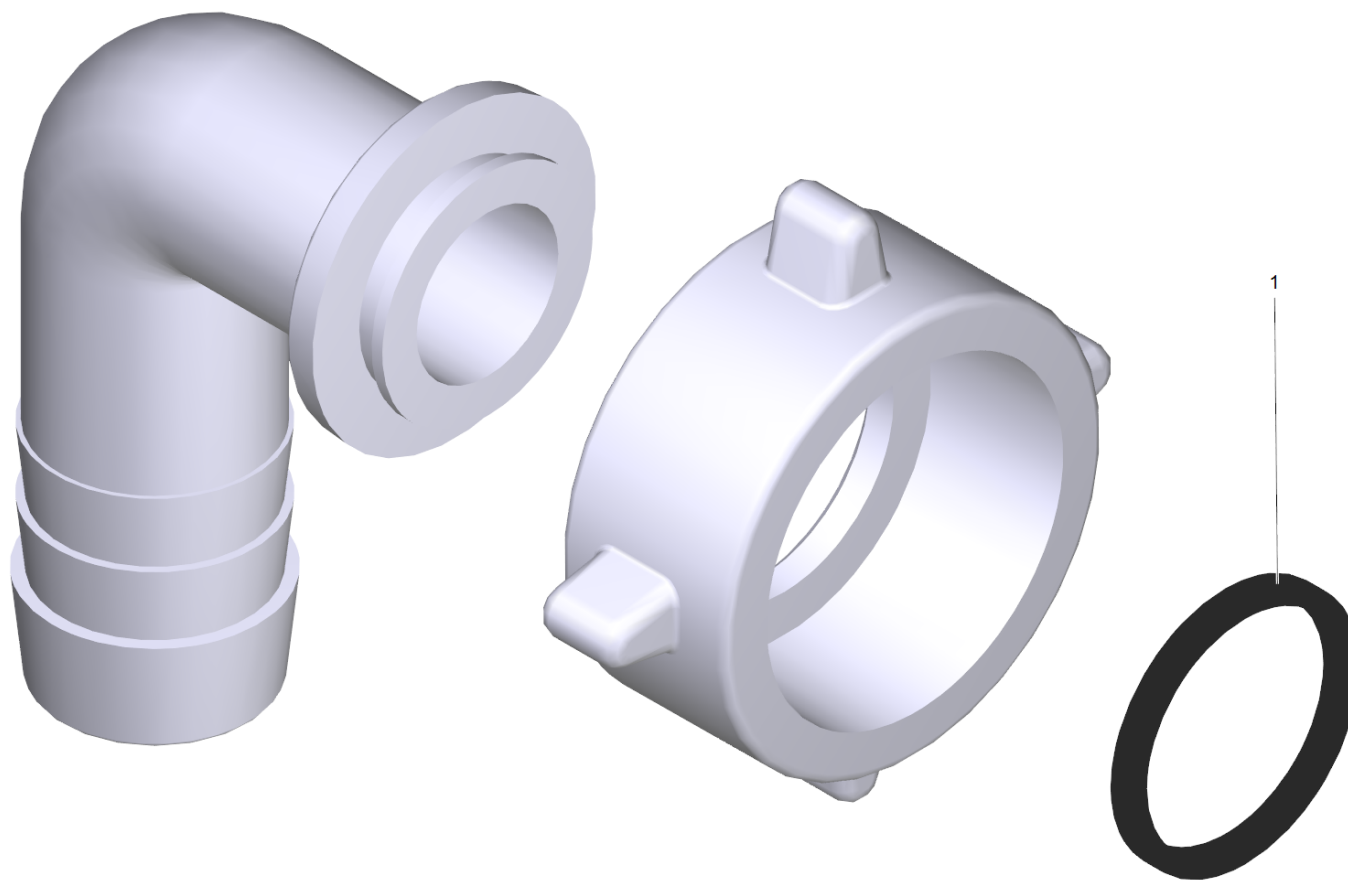
3 Spare part set air circulation (2.885-228.0)

POS	Description	Quantity	Unit
1	Air circulation front	1	ST
2	Air circulation rear	1	ST



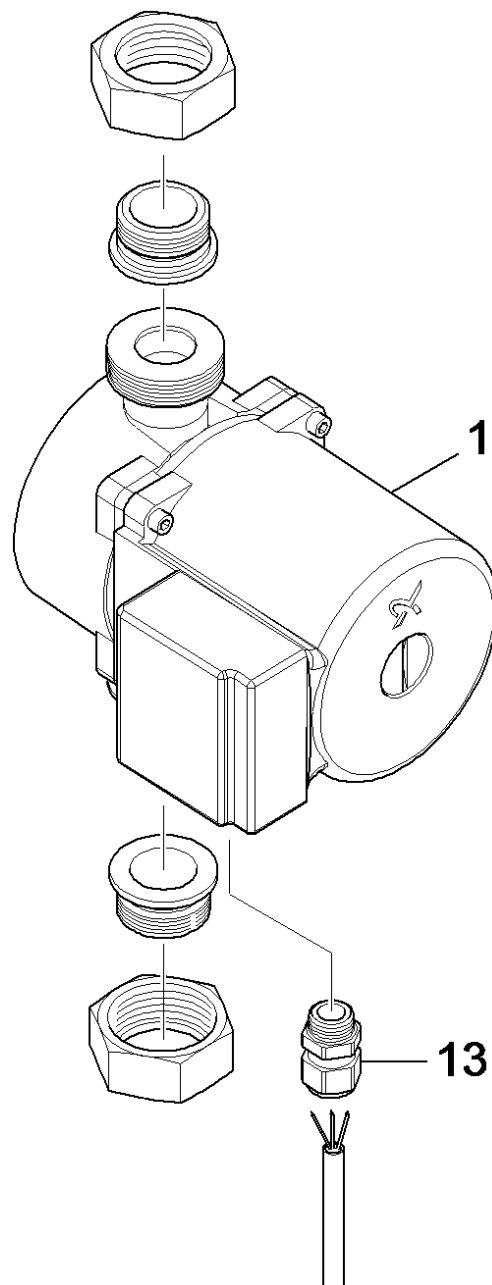
4 Electric control box HD-ST 230V

POS	Article no.	Description	Quantity	Unit	Foot note text
1	5.062-336.0	Housing electric control box	1	ST	
3	6.632-334.0	Power contactor LC1 D32 B7	1	ST	
4	6.631-428.0	Motor protecting switch -22-27A	1	ST	
5	6.641-270.0	Plug	1	ST	
7	6.273-037.0	Seal string cellular rubber 3	0,8	M	
8	6.661-302.0	Interference suppressor triple-pole	1	ST	
9	6.630-049.0	Cap	1	ST	
14	5.321-692.0	Handle	1	ST	
15	5.363-616.0	Joint ring	1	ST	
16	5.064-413.0	Cover electric control box	1	ST	
18	7.303-085.0	Screw 4x 35 -10.9-R2R (K-In6Rd)	4	ST	
19		Tensioning part 13/14/7	2	ST	
21		Sheet metal screw ST3,9x45 -St-A2K-C-H I	2	ST	
22	5.802-261.0	Mounting part	1	ST	
23	6.651-506.0	Lens housing	1	ST	
24	6.651-505.0	Pilot lamp	1	ST	
25	6.984-610.0	Circuit board control system HD-ST	1	ST	
28	7.303-106.0	Screw 4x12 -10.9-R2R (IN6RD)	7	ST	
29	7.312-281.0	Washer 4 -200HV-A2E ISO7093-1	2	ST	
30	6.643-336.0	Strip terminal	2	ST	VERSION 1
30	6.643-471.0	Strip terminal with fuse	2	ST	VERSION 2
31	6.644-070.0	Fuse insert medium time-lag G-5,0A	2	ST	
32	6.650-139.0	Cable harness HD-ST EU II	1	ST	
35	6.649-441.0	Cable without plug	1	ST	
36	7.312-098.0	Washer 27 -PA6.6-Natur ISO 7089	1	ST	
37	6.303-245.0	Cylinder head screw 3X18-ST-A2E	1	ST	VERSION 1
37	7.306-045.0	Screw M2x20 -4.8-A2K DIN 84	1	ST	VERSION 2
41	7.303-119.0	Countersunk screw 3x10 -10.9-R2R (In6Rd)	1	ST	VERSION 2
42	5.013-470.0	Plate clamp	1	ST	VERSION 2



12 Elbow screw connector R1" (6.391-867.0)

POS	Article no.	Description	Quantity	Unit
1	6.362-358.0	Seal	1	ST

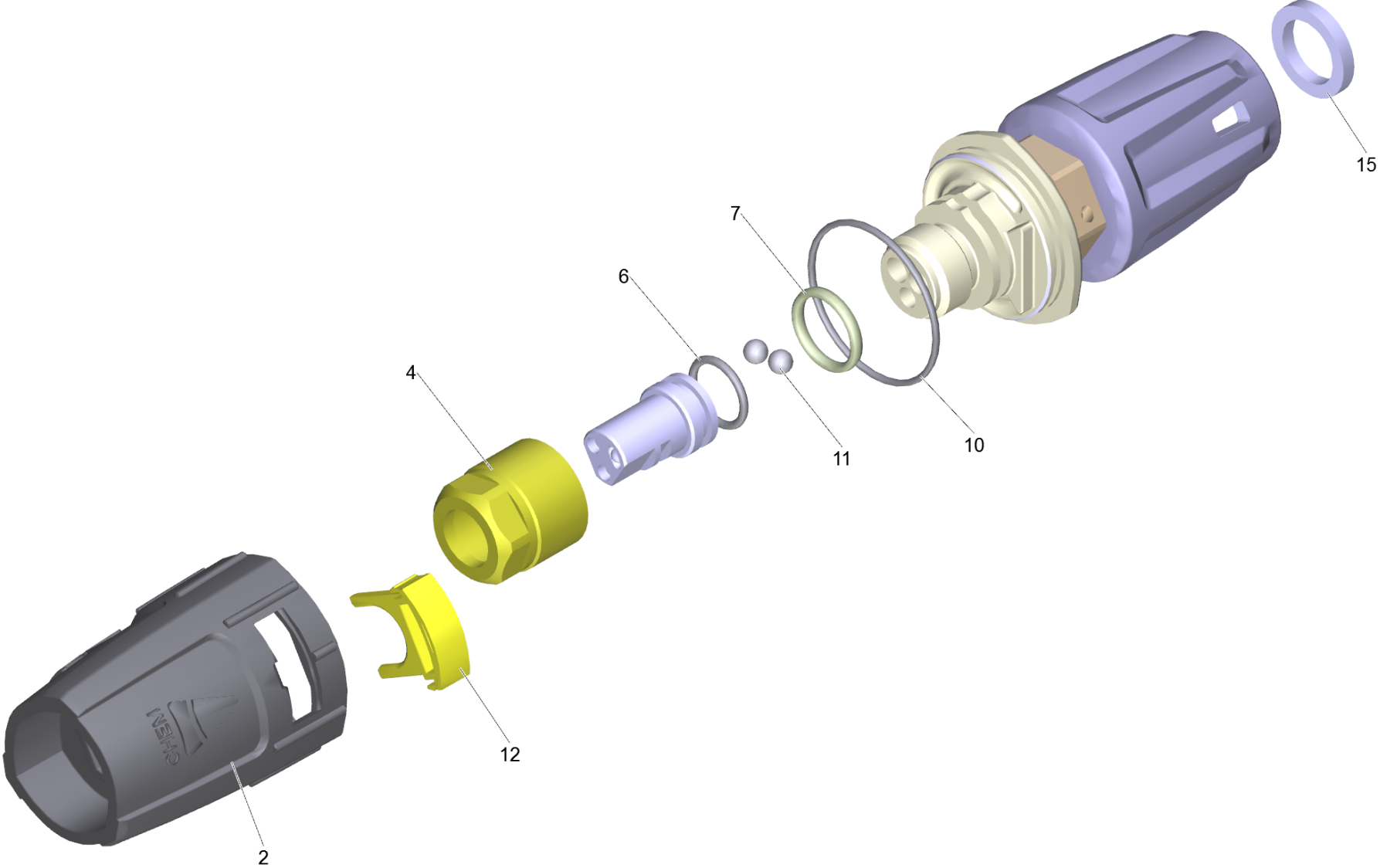


13 Circulation pump (4.540-133.0)

POS	Article no.	Description	Quantity	Unit
1	6.473-533.0	Admission pressure pump one-pole	1	ST
13	6.641-357.0	Cable gland PG11	1	ST

40 Triple jet nozzle TR 055 (4.117-039.0)

POS	Description	Quantity	Unit
1	Triple jet nozzle TR 055	1	ST



1 Triple jet nozzle TR 055

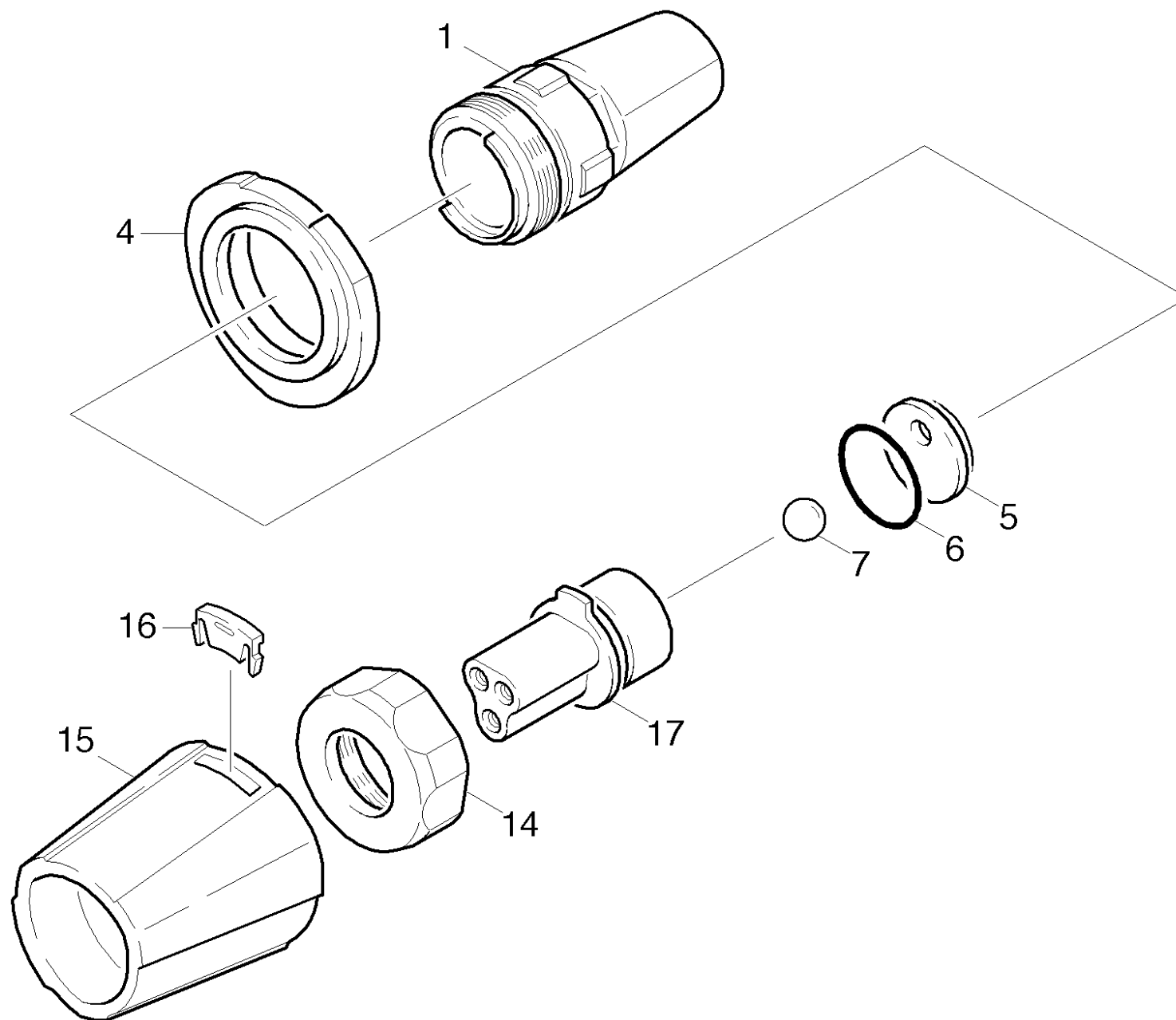
POS	Article no.	Description	Quantity	Unit
2	5.394-859.0	Protection part	1	ST
4	5.311-225.0	Nut	1	ST
6	6.362-480.0	O-Ring seal 12,42x 1,78	1	ST
7	6.362-460.0	O-Ring seal 14,0 X 2,5-NBR 70	1	ST
10	6.362-409.0	O-Ring seal 32,0 X 1,5	1	ST
11	7.401-902.0	Sphere 5 G20 -1.4034 DIN 5401	2	ST
12	5.321-884.0	Clamp	1	ST
15	6.363-696.0	Brake ring 14x20x3	1	ST

40 Triple jet nozzle 055 (4.767-066.0)

POS	Article no.	Description	Quantity	Unit
2	5.970-000.0	Spare parts list triple jet nozzle	1	ST
Item text2: 47670660				

2 Spare parts list triple jet nozzle (5.970-000.0)

POS	Description	Quantity	Unit
10	Triple jet nozzle	1	ST

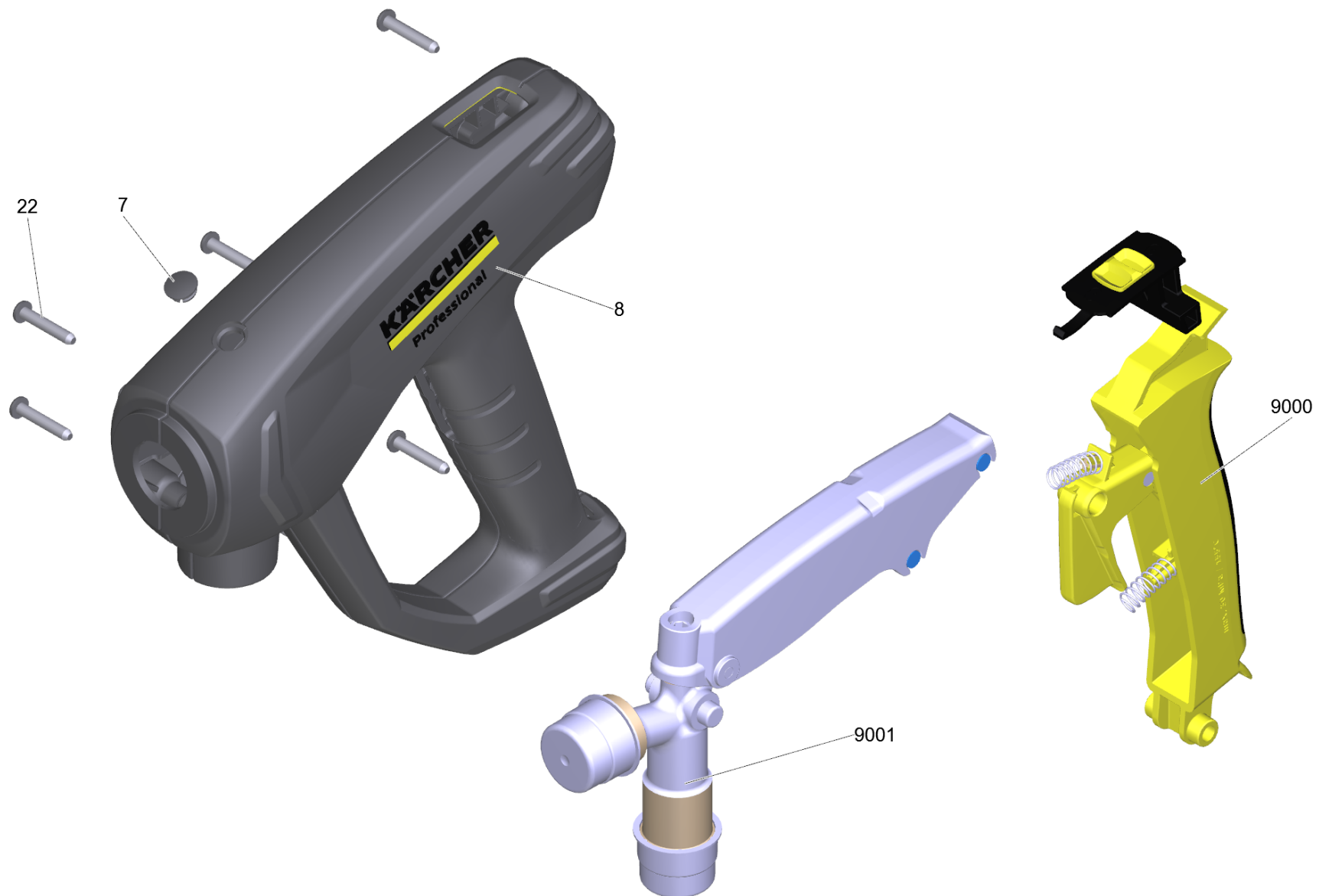


10 Triple jet nozzle

POS	Article no.	Description	Quantity	Unit	Remark
1	4.060-395.0	Housing complete only for replacement	1	ST	
4	5.394-401.0	Protection part	1	ST	
5	5.031-370.0	Moulded part	1	ST	
6	6.363-612.0	O-Ring seal 22 x 2 -NBR90	1	ST	
7	7.401-917.0	Sphere 10,0 G100-1.4301 DIN 5401	1	ST	
14	5.311-192.0	Union nut	1	ST	
15	5.394-402.0	Protection part	1	ST	
16	5.031-709.0	Moulded part	1	ST	
17	4.764-157.0	Nozzle holder 047	1	ST	4.767-064.0
17	4.764-158.0	Nozzle holder 05	1	ST	4.767-065.0
17	4.764-159.0	Nozzle holder 055	1	ST	4.767-066.0
17	4.764-161.0	Nozzle holder 08	1	ST	4.767-068.0
17	4.764-169.0	Nozzle holder 09	1	ST	4.767-075.0
17	4.764-173.0	Nozzle holder 0100	1	ST	4.767-106.0
17	7.777-999.0	Stockpiling discontinued	1	ST	4.767-067.0/-069.0

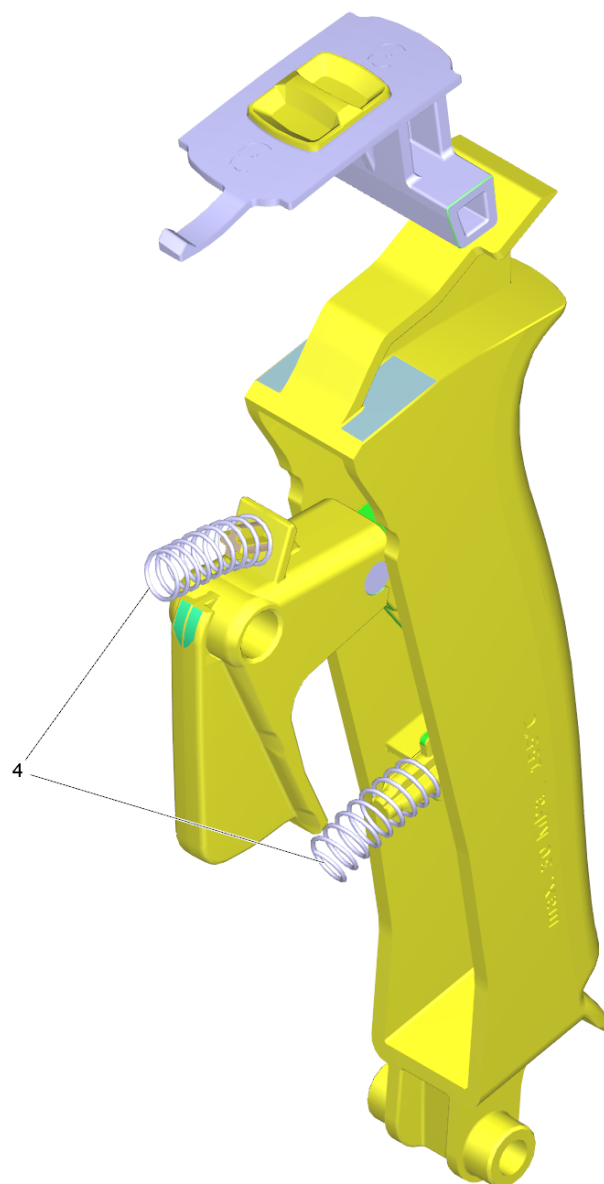
17 Nozzle holder 055 (4.764-159.0)

POS	Article no.	Description	Quantity	Unit
1	5.031-597.0	Rectifier	2	ST
	Item text2: 47641590			
7	6.362-661.0	O-Ring seal 5,0 X 1,0-NBR 80	3	ST
	Item text2: 47641590			
8	6.363-612.0	O-Ring seal 22 x 2 -NBR90	1	ST
	Item text2: 47641590			



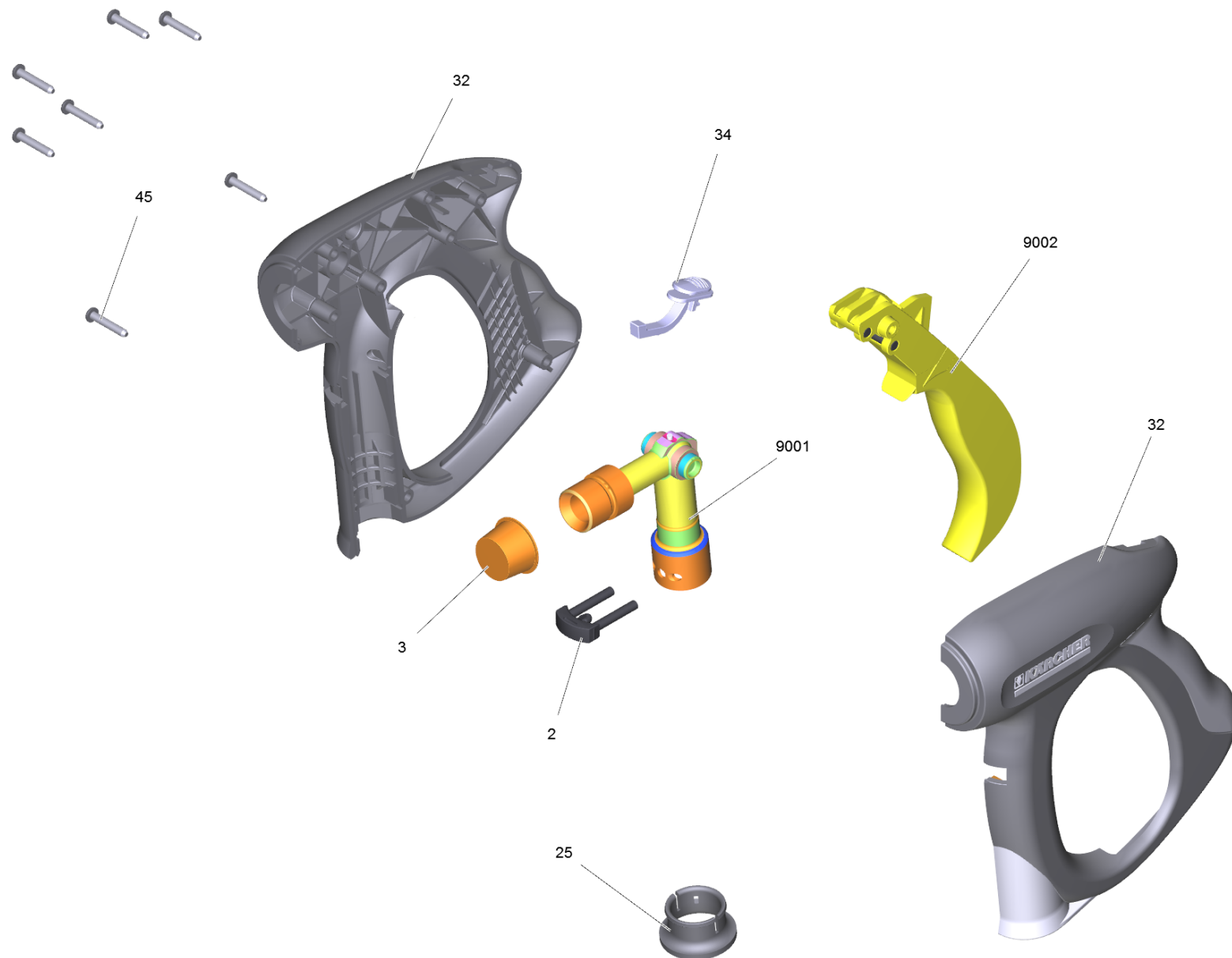
41 EASY!Force Advanced (4.118-005.0)

POS	Article no.	Description	Quantity	Unit
7	5.132-001.0	Plug	1	ST
8	5.321-136.3	Handhold few EH 155 only for replacement	1	ST
22	7.303-096.0	Screw 4x22 -ST-10.9-R2R (IN6RD)	7	ST
9000	2.885-483.0	Spare part set lever	1	ST
9001	4.427-014.0	Manifold TR EH 155 nur fuer Ersatz	1	ST



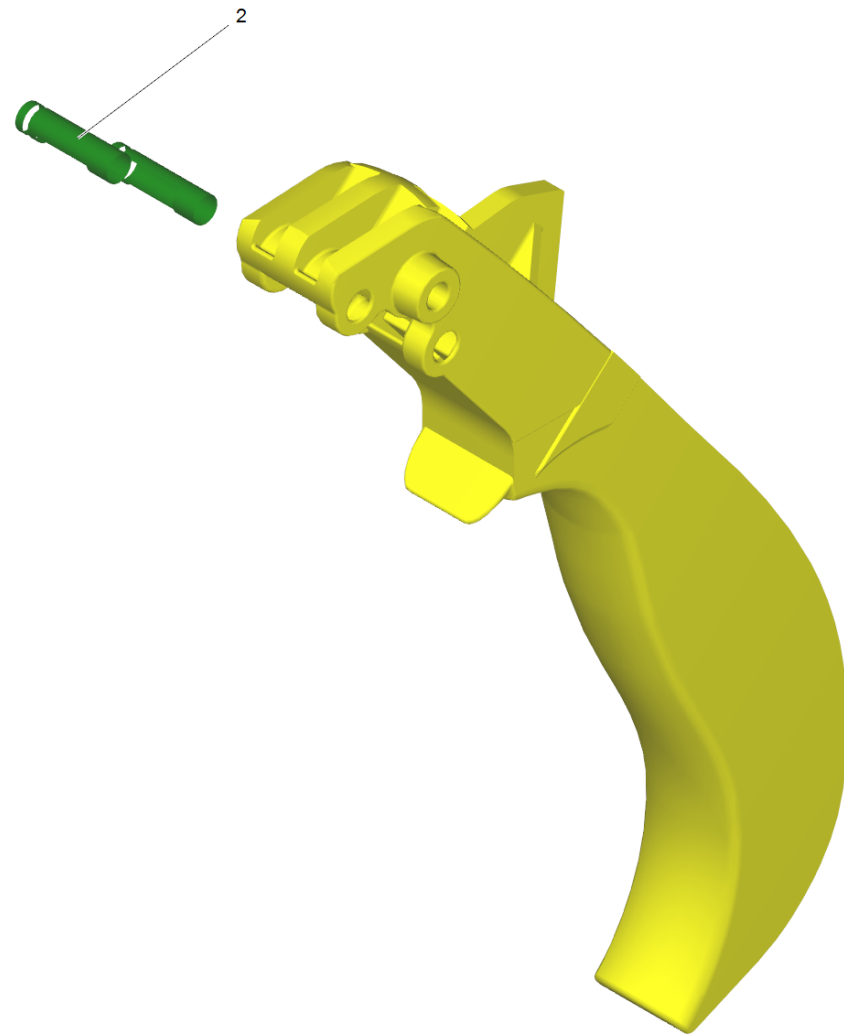
9000 Spare part set lever (2.885-483.0)

POS	Article no.	Description	Quantity	Unit
4	5.332-178.0	Helical spring	2	ST



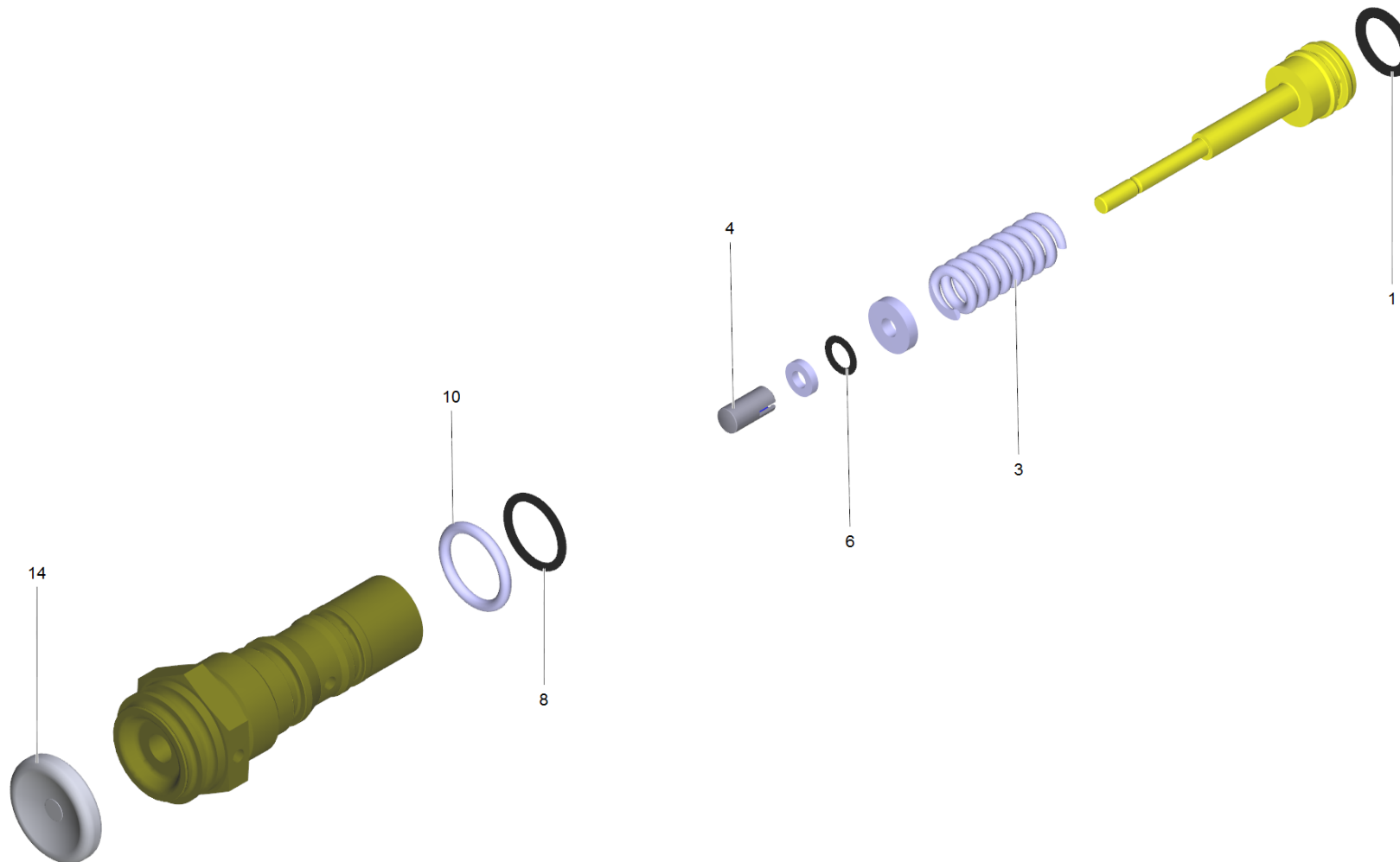
41 HAND TRIGGER GUN EASY PRESS (4.775-463.0)

POS	Article no.	Description	Quantity	Unit
2	4.037-013.0	Hook	1	ST
3	6.368-012.0	Protecting cap 22X1,5	1	ST
4	6.869-075.0	Metal bonding agent 1,5 ml	1	ST
cart_info_txt: This material is not available due to hazardous good regulation. Please procure this or a similar material from a local supplier of your choice.				
25	5.110-596.0	Sleeve	1	ST
32	5.321-669.3	Handhold few	1	ST
34	5.481-331.0	Slider	1	ST
45	7.303-096.0	Screw 4x22 -ST-10.9-R2R (IN6RD)	7	ST
1041	6.288-044.0	Silicon grease 100 G	1	ST
9001	4.427-215.0	Manifold complete only for replacement	1	ST
9002	4.481-209.0	Lever complete	1	ST



9002 Lever complete (4.481-209.0)

POS	Article no.	Description	Quantity	Unit
2	5.314-119.0	Pin	2	ST

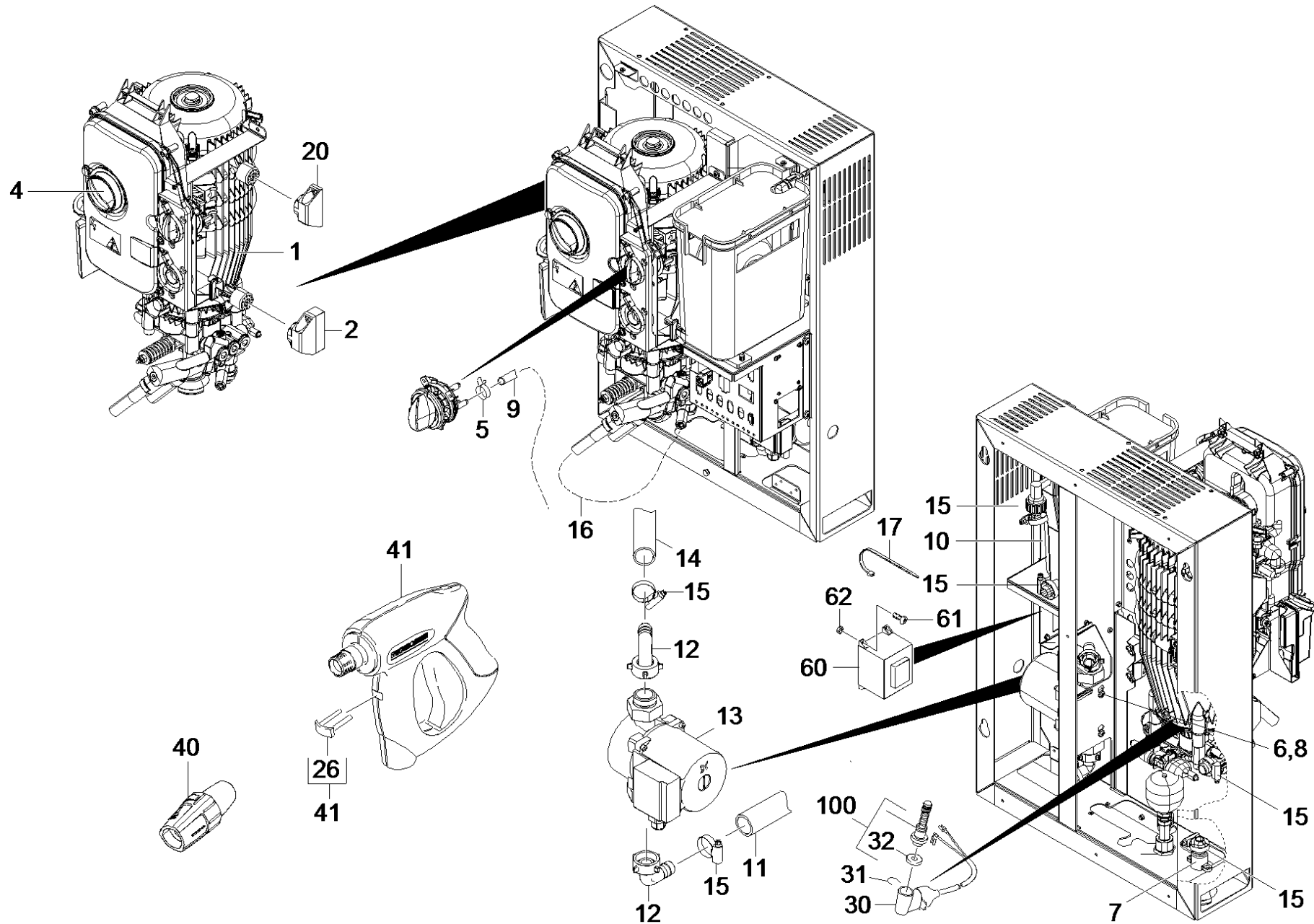


100 Spare part set control piston (2.885-226.0)

POS	Article no.	Description	Quantity	Unit
1	6.363-350.0	O-Ring seal 8.74x1.78	1	ST
3	5.332-511.0	Helical spring	1	ST
4	5.110-947.0	Sleeve	1	ST
6	6.363-330.0	O-Ring seal 2,9 x 1,78	1	ST
8	6.363-452.0	O-Ring seal 11 x 1,5	1	ST
10	6.363-519.0	O-Ring seal 12,00x 2,00	1	ST
14	5.367-030.0	Diaphragm	1	ST

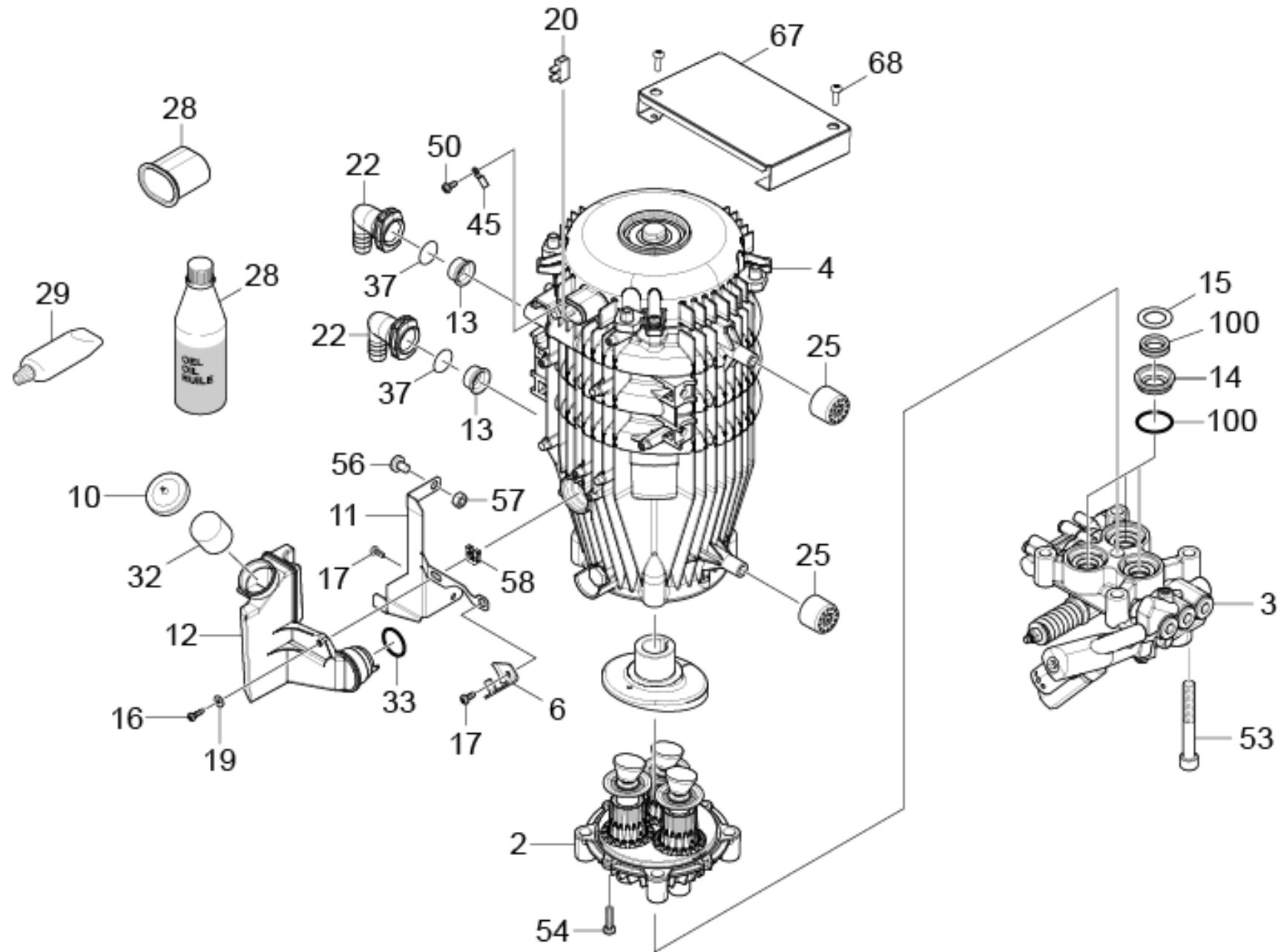
32 Pump set complete HD 13/12-4 ST-H 220-240V 60Hz

POS	Article no.	Description	Quantity	Unit
1000	2.532-029.3	Spare parts list pump set complete HD 13	1	ST



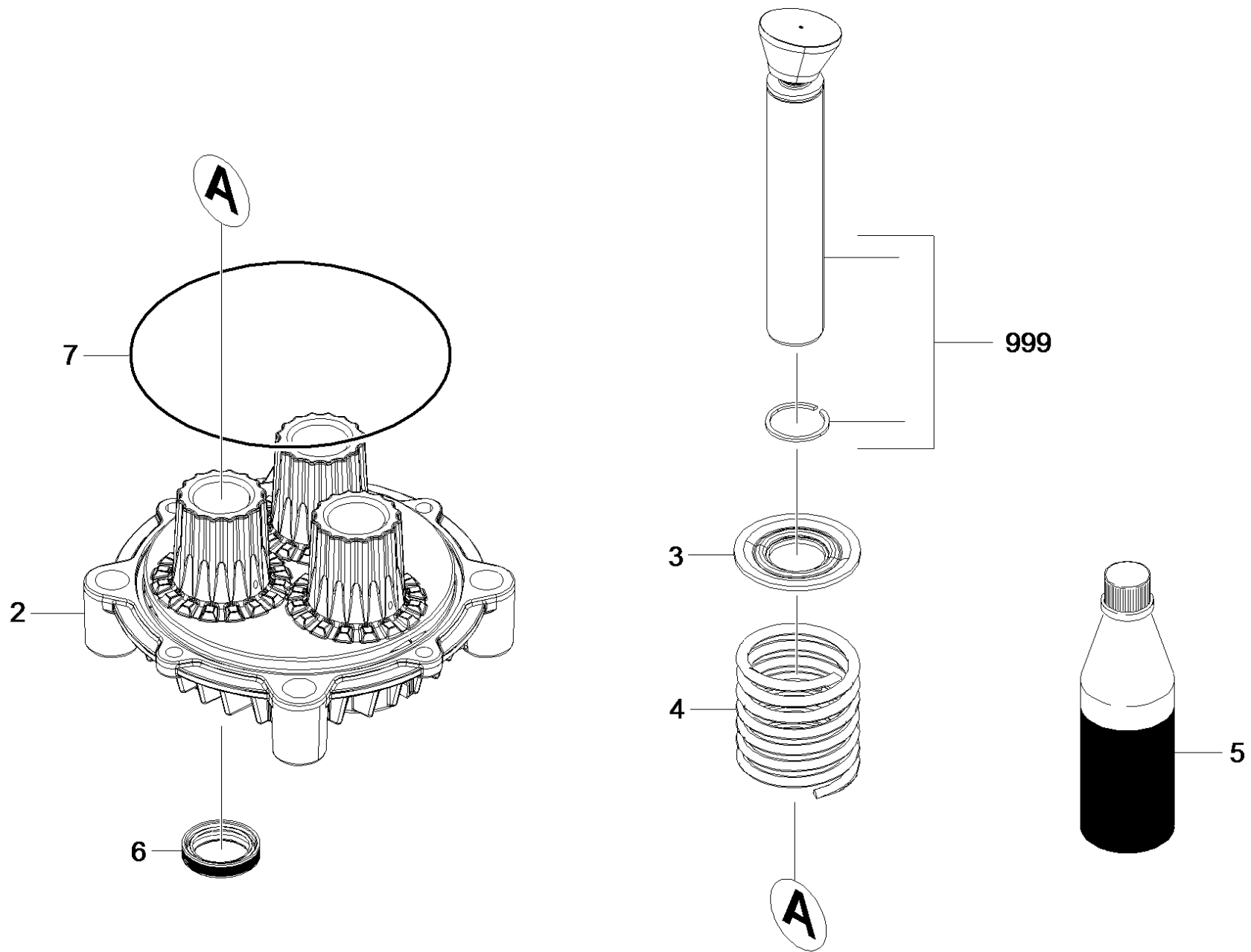
1000 Spare parts list pump set complete HD 13 (2.532-029.3)

POS	Article no.	Description	Quantity	Unit	Remark
1		Pump set HD 13/12-4 ST-H 60Hz	1	ST	
2	5.044-998.0	Holder	2	ST	
4		Electric control box HD-ST 230V	1	ST	
5	6.390-133.0	Hose clip	2	ST	
6	7.306-190.0	Screw M6x8 -A2-70 (In6Rd)	2	ST	
7	5.427-432.0	Manifold	1	ST	
8	7.312-026.0	Washer 6 -A2 ISO 7089	2	ST	
9	6.388-247.0	Hose DN8 -PVC	0,44	M	
10	6.388-719.0	Hose DN17	0,57	M	
11	5.443-628.0	Hose	1	ST	
12	6.391-867.0	Elbow screw connector R1"	2	ST	
13	4.540-133.0	Circulation pump	1	ST	
14	6.388-293.0	Elbow hose	1	ST	
15	7.373-022.0	Hose clip A-16-27x9 -W2-2 DIN3017	6	ST	
16	6.392-198.0	Hose assembly DN8 40MPa 0,46m	1	ST	
17	6.641-465.0	Cable tape	1	ST	
20	5.044-891.0	Holder	2	ST	
26	4.037-013.0	Hook	1	ST	
30	4.744-242.0	Switch kpl. -nur für Ersatz-	1	ST	
31	5.034-494.0	Retaining bracket	1	ST	
32	5.367-030.0	Diaphragm	1	ST	
40	4.117-041.0	Triple jet nozzle TR 098	1	ST	1.524-950.2
40	4.767-205.0	Triple jet nozzle only for replacement 0	1	ST	1.524-500.2
41	4.118-005.0	EASY!Force Advanced	1	ST	1.524-950.2
41	4.775-463.0	HAND TRIGGER GUN EASY PRESS	1	ST	1.524-500.2
60	6.622-336.0	Control transformer 96VA - E178/40,5 230	1	ST	
61	7.306-058.0	Screw M 4X 12- 8.8-R2R K-IN6RD	4	ST	
62	7.311-569.0	Square nut M4 -04-A2E DIN 562	4	ST	
100	2.885-226.0	Spare part set control piston	1	ST	



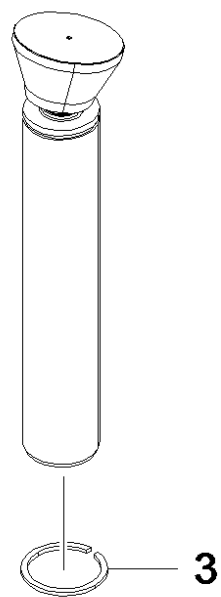
1 Pump set HD 13/12-4 ST-H 60Hz

POS	Article no.	Description	Quantity	Unit
2		Thrust guidance	1	ST
3		Cylinder head complete -H	1	ST
4	4.624-224.0	Motor complete only for replacement	1	ST
6	5.011-428.0	Plate bracket	1	ST
10	5.064-457.0	Cover plate qusty grey oil	1	ST
11	5.011-622.0	Plate holder oil tank	1	ST
12	5.070-831.0	Tank oil	1	ST
13	5.110-341.0	Sleeve	2	ST
14	5.112-870.0	Bush	3	ST
15	5.115-520.0	Washer	3	ST
16	7.306-208.0	Screw M 4x16-A2-70 (In6RD)	1	ST
17	7.303-038.0	Screw M5x12 -St-P2R (In6Rd)	2	ST
18	5.365-302.0	Profile gasket	1	ST
19	7.312-293.0	Washer 4-A2 ISO 7093-1	1	ST
20	6.643-151.0	Strip terminal one-pole 16mm ²	1	ZST
22	5.427-415.0	Manifold	2	ST
25	5.767-005.0	Rubber buffer	4	ST
28	6.288-016.0	Gear oil 1L	1	ST
29	6.288-044.0	Silicon grease 100 G	1	ST
32	5.132-187.0	Plug	1	ST
33	6.363-499.0	O-Ring seal 28,0x3,0	1	ST
37	6.363-455.0	O-Ring seal 17,5 x 3,5	2	ST
45	4.820-578.0	Cable green/yellow 1,5mm ² x450mm	1	ST
50	7.303-031.0	Screw M4x10 -St-P2R (In6Rd)	1	ST
53	7.306-430.0	Cylinder head screw M12x90- 10.9-A3K ISO 4762	4	ST
54	7.306-094.0	Screw M6x25 -8.8-R3R (In6Rd)	2	ST
56	7.311-068.0	Hexagon nut M 8-A2-70 ISO 4032	1	ST
57	7.306-223.0	Screw M8x12 -A2-70 (In6Rd)	1	ST
58	6.310-176.0	Putting nut M4	1	ST
67	5.010-082.0	Cover plate HD 10/25 Cage	1	ST
68	7.303-048.0	Screw M6x20 -St-R3R (In6Rd)	2	ST
100	2.885-319.0	Pump set HD 13/12-4 ST-H	1	ST



2 Thrust guidance

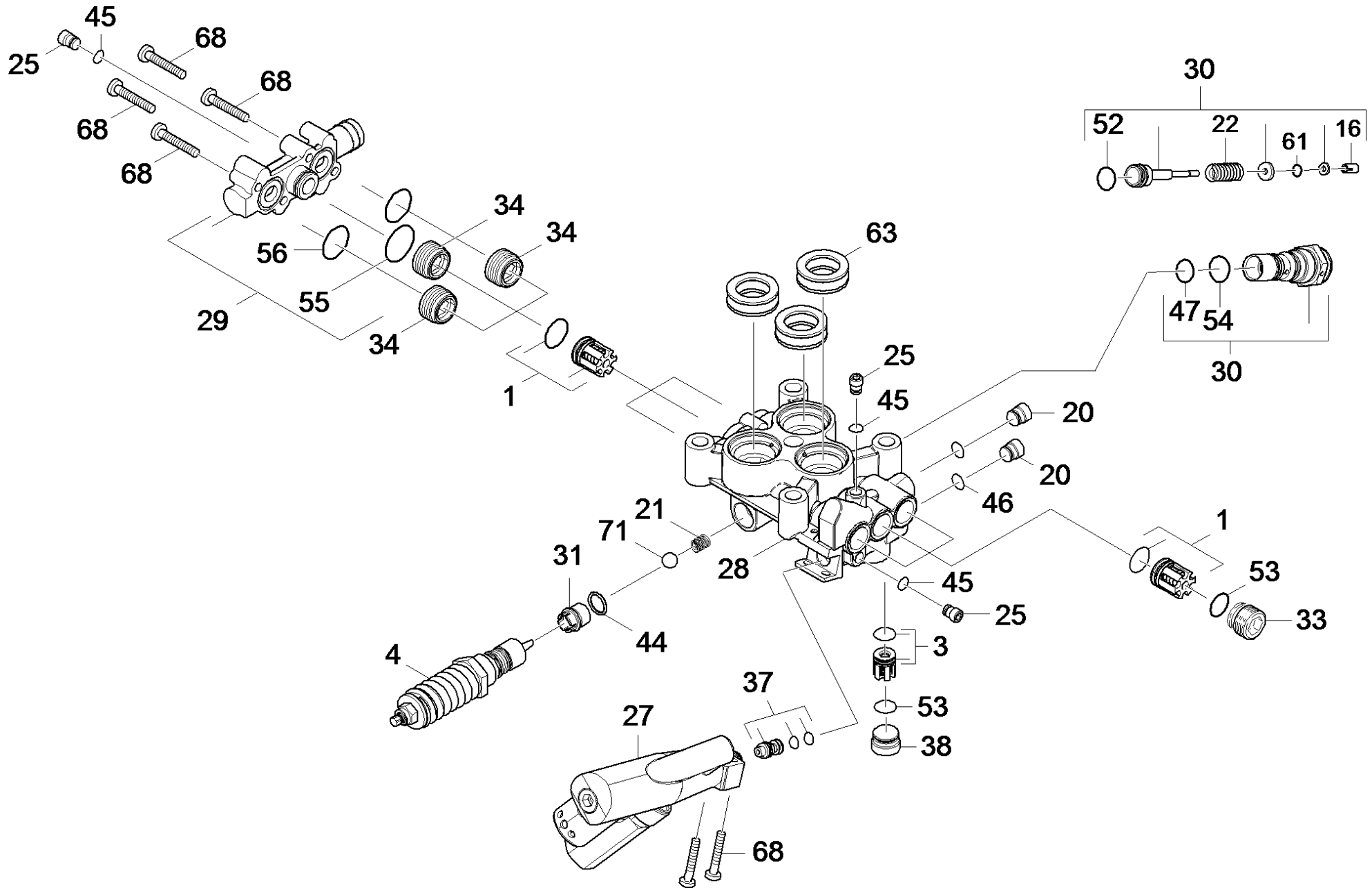
POS	Article no.	Description	Quantity	Unit
2	5.060-954.3	Thrust guidance D22	1	ST
3	5.116-065.0	Washer D22	3	ST
4	5.332-187.0	Helical spring	3	ST
5	6.288-016.0	Gear oil 1L	1	ST
6		Part at pump set	1	ST
7		Part at pump set	1	ST
999	4.553-280.0	Piston complete only for replacement	3	ST



999 Piston complete only for replacement (4.553-280.0)

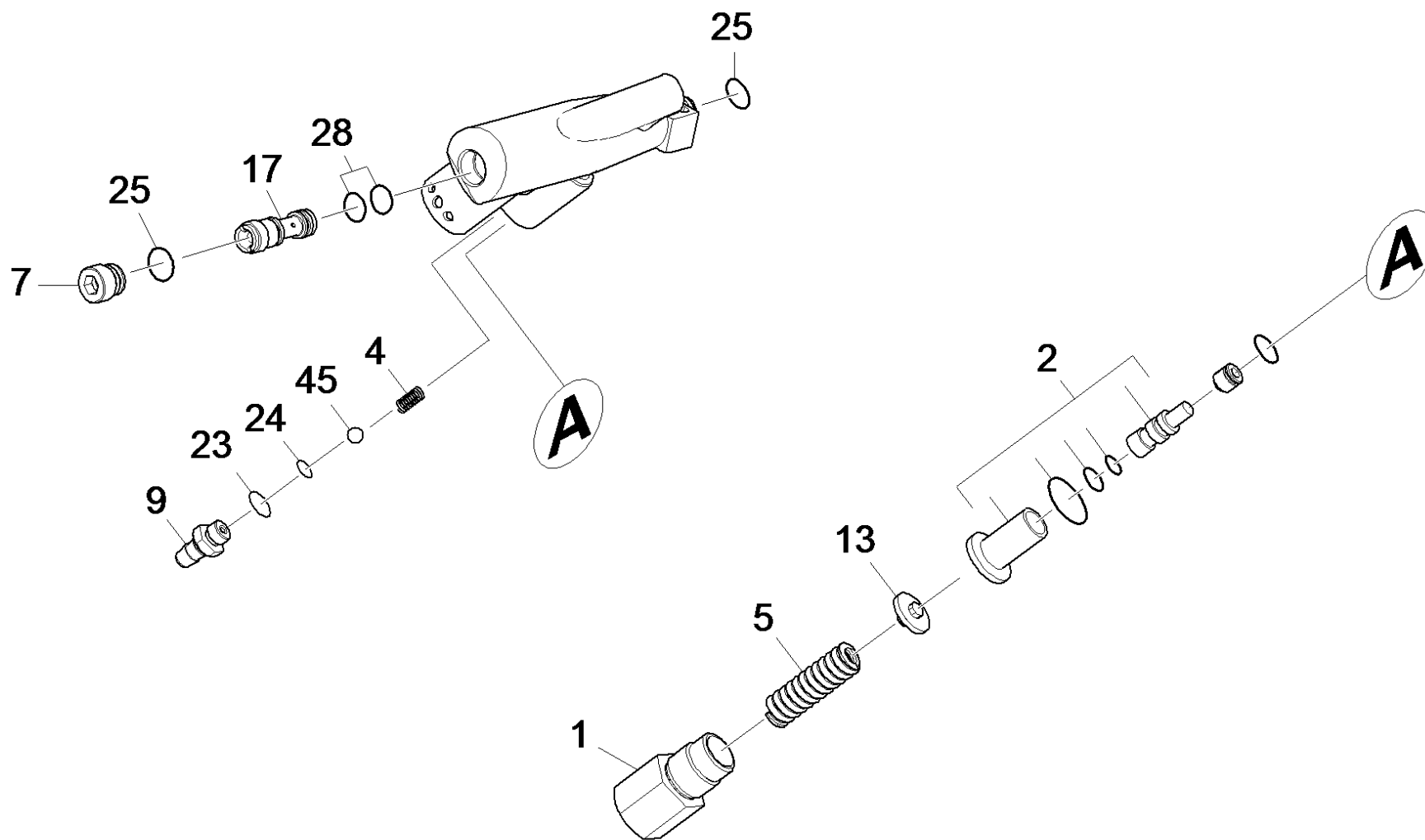
POS	Article no.	Description	Quantity	Unit
3	6.343-142.0	Snap ring WR 22	1	ST

3 Cylinder head complete -H



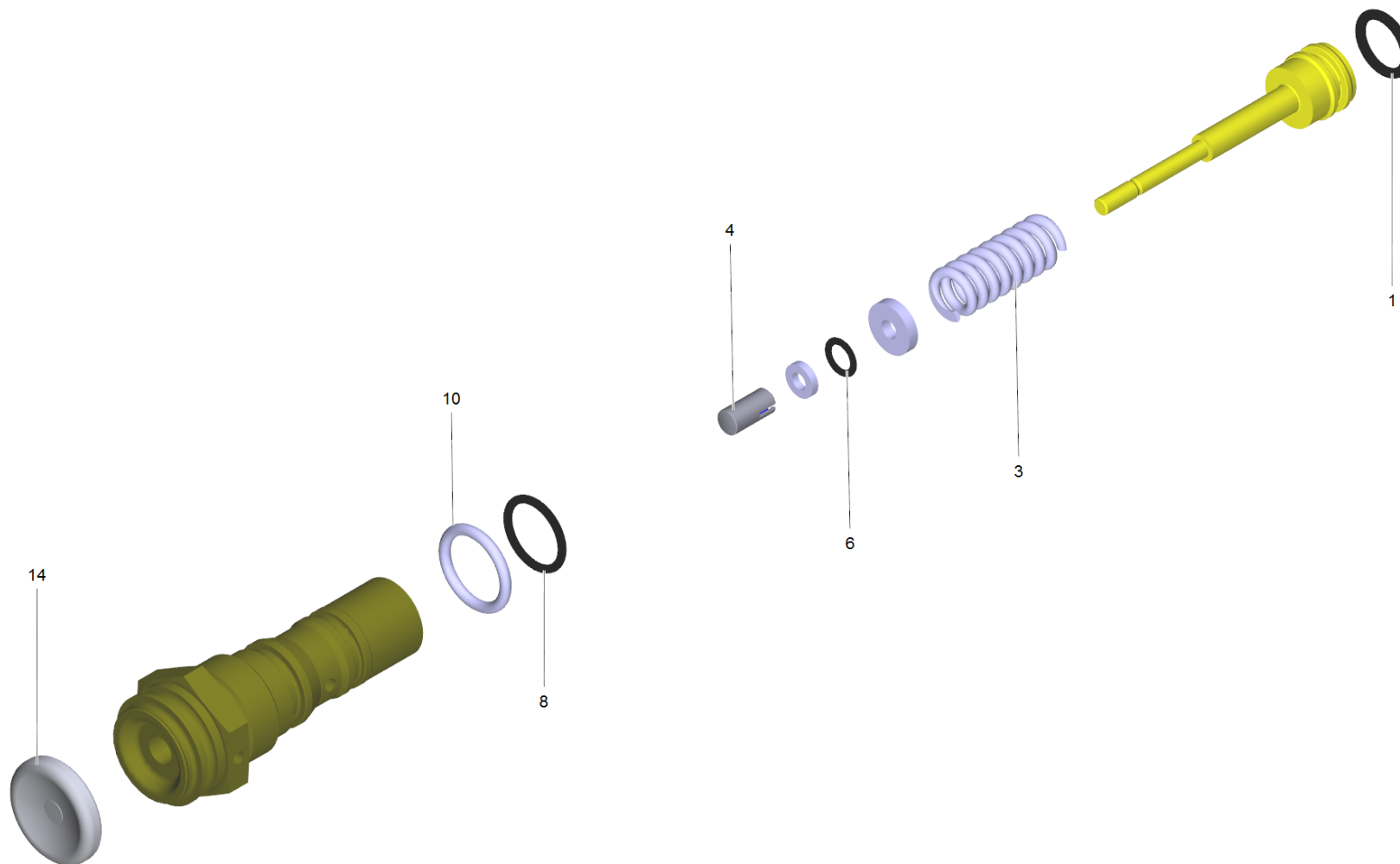
3 Cylinder head complete -H

POS	Article no.	Description	Quantity	Unit
1		Part at pump set	1	ST
3		Part at pump set	1	ST
4	2.885-238.0	Spare part set overflow valve	1	ST
16	5.110-947.0	Sleeve	1	ST
20	5.411-152.0	Screw plug	3	ST
21	5.332-999.0	Helical spring	1	ST
22	5.332-511.0	Helical spring	1	ST
25	5.411-161.0	CLOSING SCREW M10X1	2	ST
27	4.591-063.0	Overflow valve complete	1	ST
28	5.550-367.0	Cylinder head HD 13/12-4 ST	1	ST
29	2.885-233.0	Manifold low-pressure intake	1	ST
30	2.885-226.0	Spare part set control piston	1	ST
31	5.581-270.0	Valve seat	1	ST
33	5.583-146.3	Valve screw	3	ST
34	5.583-180.0	Valve screw M20x1	3	ST
37	2.885-231.0	Spare part set nozzle insert only for re	1	ST
38	5.411-166.0	CLOSING SCREW	1	ST
44	6.363-485.0	O-Ring seal 10x 2 mm HNBR Shore 80	1	ST
45		Part at pump set	1	ST
46		Part at pump set	1	ST
47	6.363-452.0	O-Ring seal 11 x 1,5	1	ST
52	6.363-350.0	O-Ring seal 8.74x1.78	1	ST
53		Part at pump set	1	ST
54	6.363-519.0	O-Ring seal 12,00x 2,00	1	ST
55		Part at pump set	1	ST
56		Part at pump set	1	ST
61	6.363-330.0	O-Ring seal 2,9 x 1,78	1	ST
63		Part at pump set	1	ST
68	7.306-118.0	Screw M 6x35 -8.8-R3R (In6Rd)	6	ST
71	7.401-910.0	Sphere 3/8 G80-1.4034 DIN 5401	1	ST



27 Overflow valve complete (4.591-063.0)

POS	Article no.	Description	Quantity	Unit
1	5.304-114.0	Hexagonal head screw bush	1	ST
2	2.885-232.0	Wearing parts set	1	ST
4	5.332-258.0	Helical spring	1	ST
5	5.332-444.0	Helical spring	1	ST
7	5.411-168.0	Valve screw M16x1	1	ST
9	5.443-370.0	Nipple	1	ST
13	5.584-169.0	Valve pin	1	ST
17	5.769-227.0	Nozzle insert	1	ST
23	6.363-496.0	O-Ring seal 7,0x2,0	1	ST
24	6.363-489.0	O-Ring seal 5,28x1,78	1	ST
25	6.363-485.0	O-Ring seal 10x 2 mm HNBR Shore 80	2	ST
28	6.363-331.0	O-Ring seal 9,0 x 1,5	2	ST
45	7.401-908.0	Sphere 7 G300 -1.4301 DIN 5401	1	ST

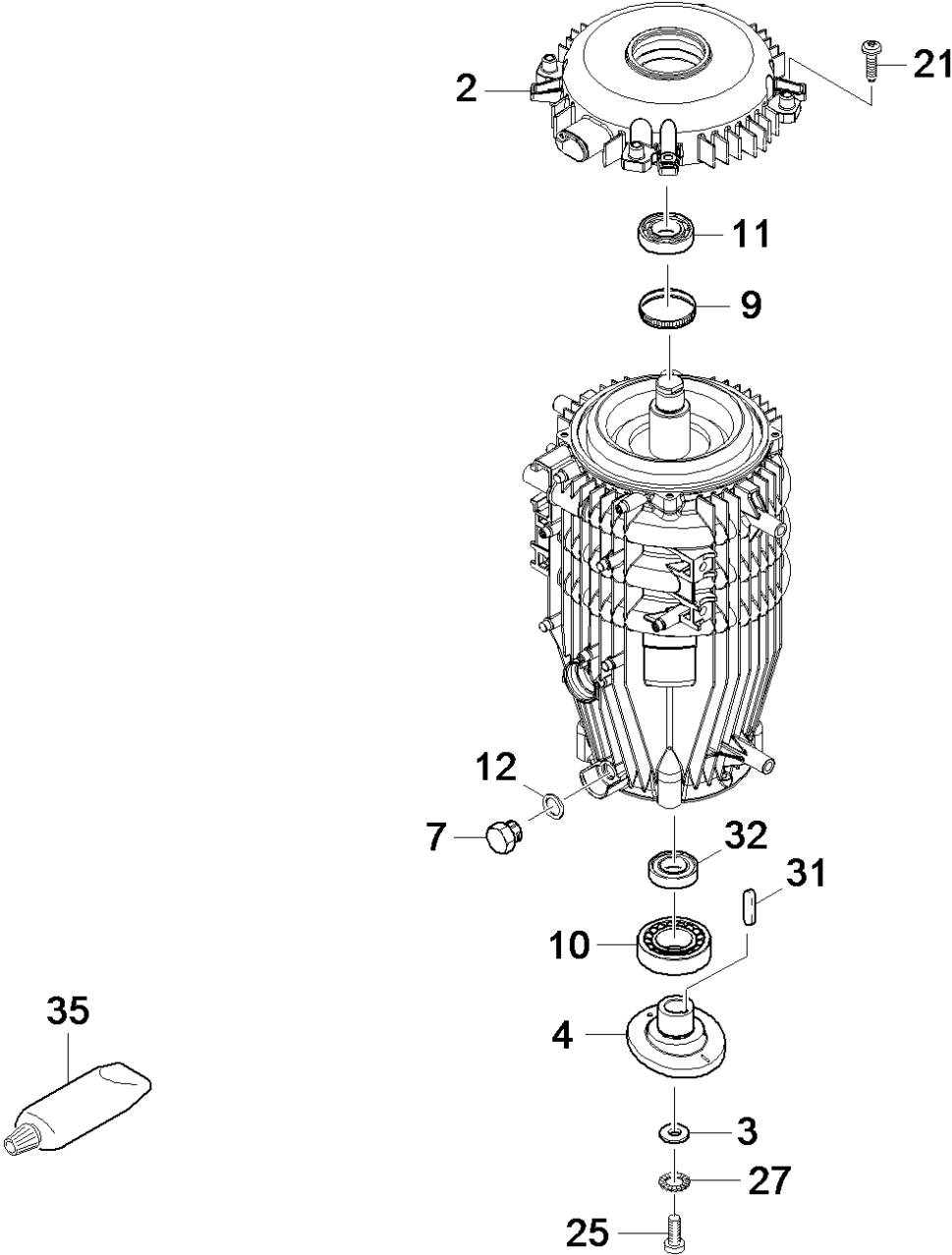


30 Spare part set control piston (2.885-226.0)

POS	Article no.	Description	Quantity	Unit
1	6.363-350.0	O-Ring seal 8.74x1.78	1	ST
3	5.332-511.0	Helical spring	1	ST
4	5.110-947.0	Sleeve	1	ST
6	6.363-330.0	O-Ring seal 2,9 x 1,78	1	ST
8	6.363-452.0	O-Ring seal 11 x 1,5	1	ST
10	6.363-519.0	O-Ring seal 12,00x 2,00	1	ST
14	5.367-030.0	Diaphragm	1	ST

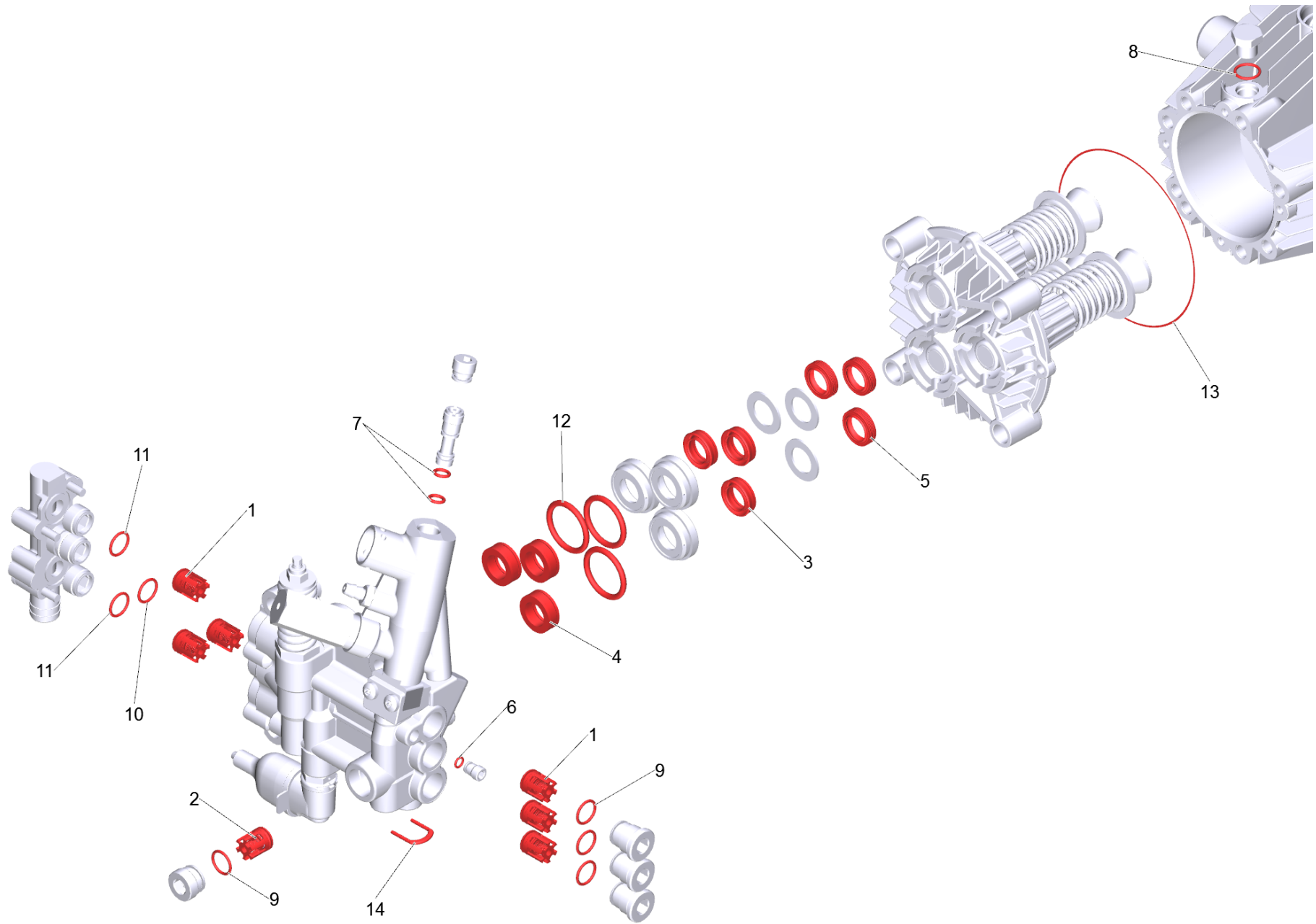
4 Motor complete only for replacement (4.624-224.0)

POS	Description	Quantity	Unit
1	Motor complete HD 13/12-4ST 60Hz	1	ST



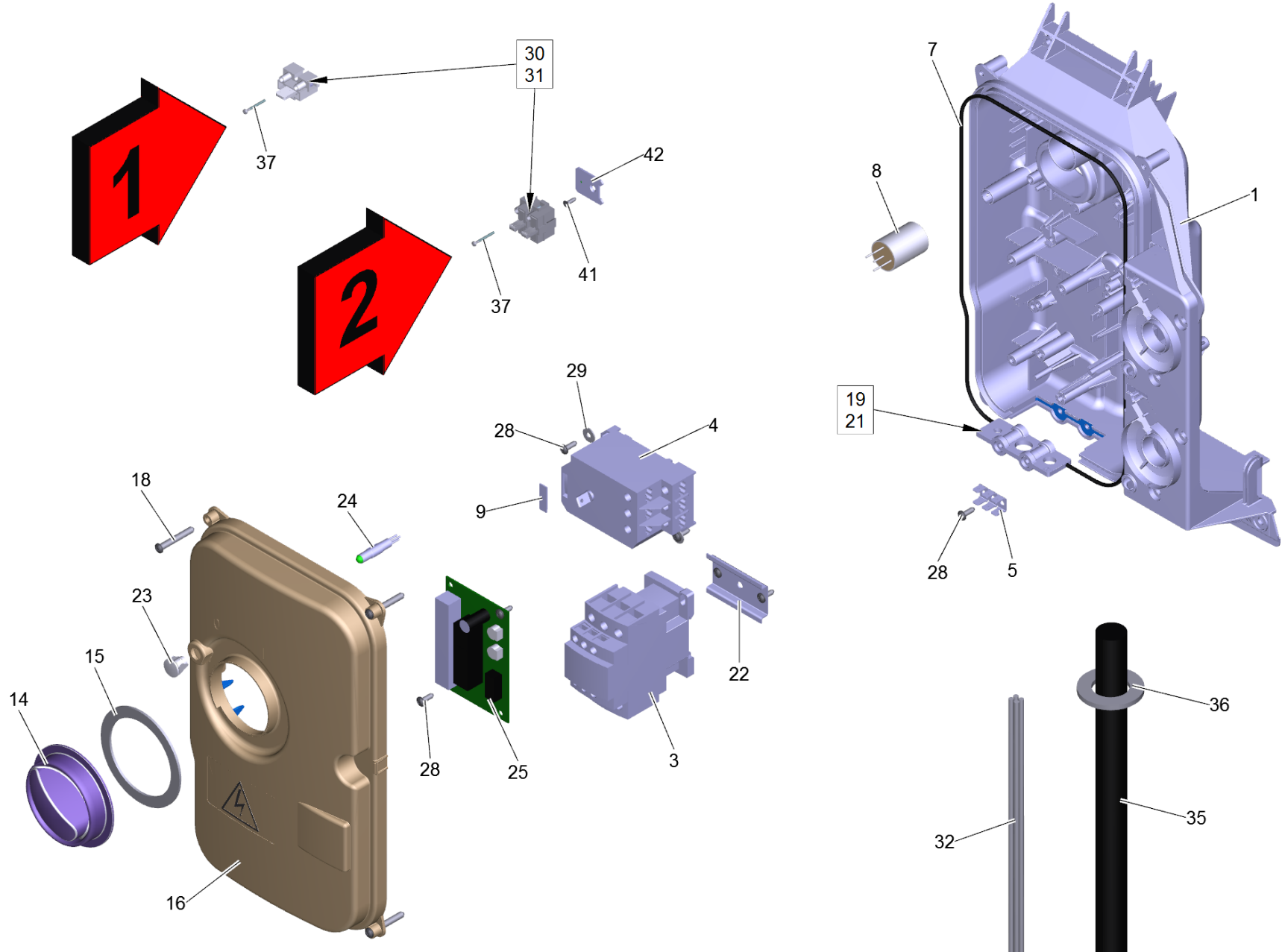
1 Motor complete HD 13/12-4ST 60Hz

POS	Article no.	Description	Quantity	Unit
2	5.064-006.0	Bearing cover B	1	ST
3	5.115-565.0	Washer	1	ST
4	5.120-361.0	Wobble plate	1	ST
7	5.411-100.0	Screw plug	1	ST
9	6.343-010.0	Tolerance ring 62x10	1	ST
10	6.401-225.3	Taper roller bearing 41	1	ST
11	6.401-253.0	Ball bearing 6305-2Z	1	ST
12	6.363-498.0	O-Ring seal 11,0x2,0 HNBR	1	ST
21	6.303-515.0	Self-tapping screw M6x25	4	ST
25	7.306-041.0	Cylinder head screw M8x20 -8.8-A2E ISO	1	ST
27	7.312-159.0	Toothed lock washer A8,4-FST-PH DIN 679	1	ST
31	7.318-035.0	Parallel key 8x7x25 -C45K DIN 6885-1	1	ST
32	7.367-012.0	Radial shaft seal ring A35x52x7 -FKM DIN	1	ST
35	6.288-044.0	Silicon grease 100 G	1	ST



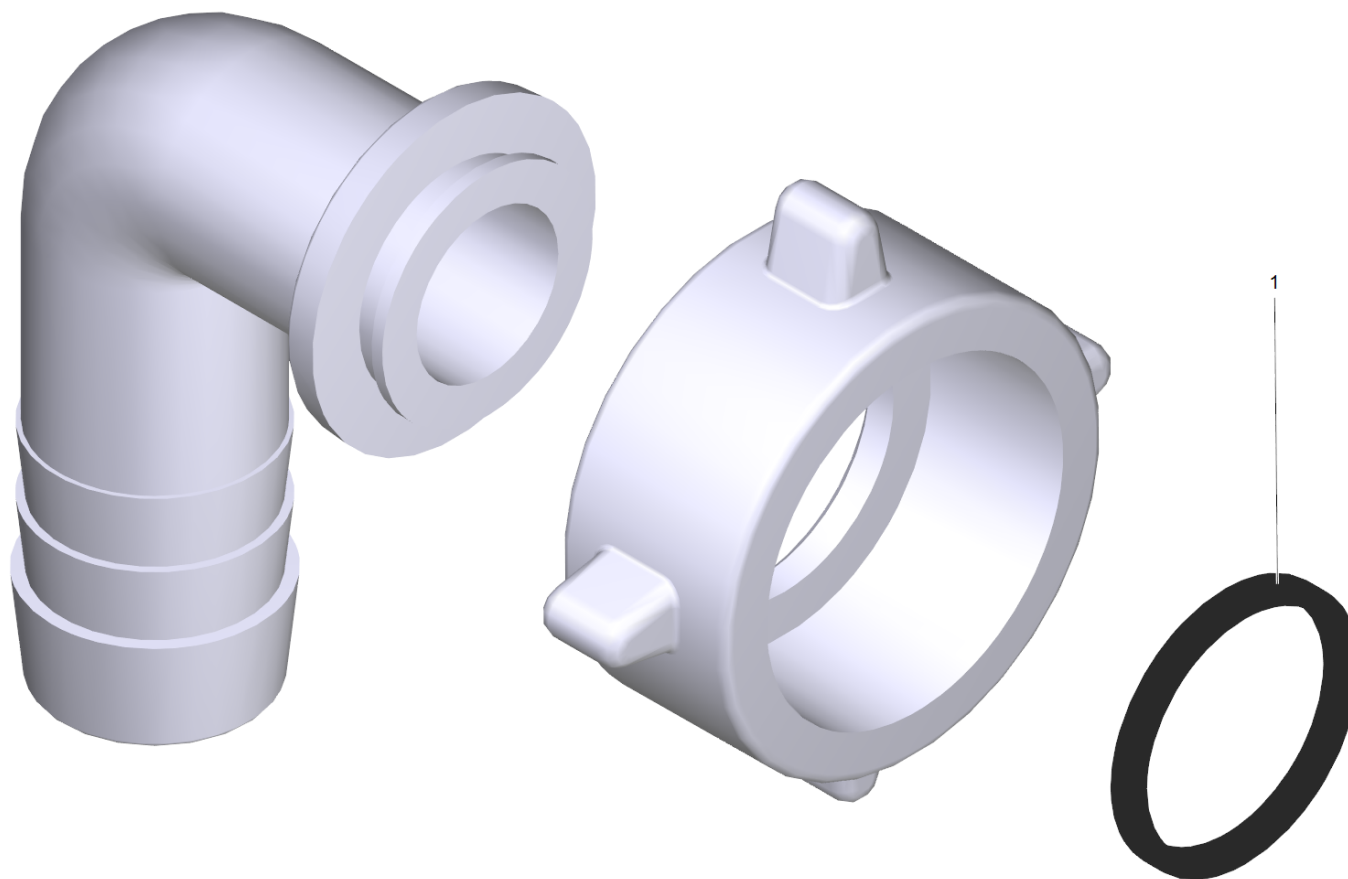
100 Pump set HD 13/12-4 ST-H (2.885-319.0)

POS	Article no.	Description	Quantity	Unit
1	2.885-229.0	Valve only for replacement	2	ST
2	4.580-734.0	Valve complete	1	ST
3	2.885-253.0	Set of gaskets ND PTFE (3x)	1	ST
4	2.885-234.0	Set of gaskets high pressure (3 Stueck)	1	ST
5	6.365-422.0	Grooved ring 22X30X7/6	3	ST
6	6.363-543.0	O-Ring seal 6,0 x 1,5 HNBR 70 Shore	3	ST
7	6.363-331.0	O-Ring seal 9,0 x 1,5	2	ST
8	6.363-498.0	O-Ring seal 11,0x2,0 HNBR	1	ST
9	6.363-459.0	O-Ring seal 14 x 2	4	ST
10	6.363-542.0	O-Ring seal 16,0 x 2,0 HNBR 70 Shore	1	ST
11	6.363-541.0	O-Ring seal 21 x 1,78 HNBR 70 Shore	2	ST
12	6.363-545.0	O-Ring seal 36,0 x 2,0 HNBR 70 Shore	3	ST
13	6.363-544.0	O-Ring seal 114,0 x 3,0 HNBR 70 Shore	1	ST
14	5.034-494.0	Retaining bracket	1	ST
15	6.288-072.0	Silicon grease	1	ST



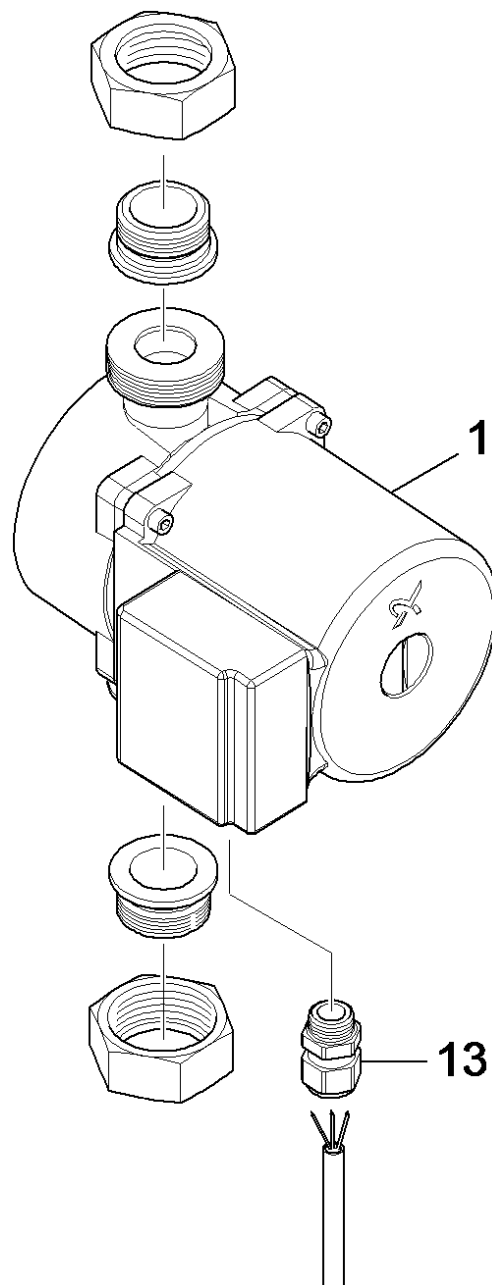
4 Electric control box HD-ST 230V

POS	Article no.	Description	Quantity	Unit	Foot note text
1	5.062-336.0	Housing electric control box	1	ST	
3	6.632-334.0	Power contactor LC1 D32 B7	1	ST	
4	6.631-428.0	Motor protecting switch -22-27A	1	ST	
5	6.641-270.0	Plug	1	ST	
7	6.273-037.0	Seal string cellular rubber 3	0,8	M	
8	6.661-302.0	Interference suppressor triple-pole	1	ST	
9	6.630-049.0	Cap	1	ST	
14	5.321-692.0	Handle	1	ST	
15	5.363-616.0	Joint ring	1	ST	
16	5.064-413.0	Cover electric control box	1	ST	
18	7.303-085.0	Screw 4x 35 -10.9-R2R (K-In6Rd)	4	ST	
19		Tensioning part 13/14/7	2	ST	
21		Sheet metal screw ST3,9x45 -St-A2K-C-H I	2	ST	
22	5.802-261.0	Mounting part	1	ST	
23	6.651-506.0	Lens housing	1	ST	
24	6.651-505.0	Pilot lamp	1	ST	
25	6.984-610.0	Circuit board control system HD-ST	1	ST	
28	7.303-106.0	Screw 4x12 -10.9-R2R (IN6RD)	7	ST	
29	7.312-281.0	Washer 4 -200HV-A2E ISO7093-1	2	ST	
30	6.643-336.0	Strip terminal	2	ST	VERSION 1
30	6.643-471.0	Strip terminal with fuse	2	ST	VERSION 2
31	6.644-070.0	Fuse insert medium time-lag G-5,0A	2	ST	
32	6.650-139.0	Cable harness HD-ST EU II	1	ST	
35	6.649-441.0	Cable without plug	1	ST	
36	7.312-098.0	Washer 27 -PA6.6-Natur ISO 7089	1	ST	
37	6.303-245.0	Cylinder head screw 3X18-ST-A2E	1	ST	VERSION 1
37	7.306-045.0	Screw M2x20 -4.8-A2K DIN 84	1	ST	VERSION 2
41	7.303-119.0	Countersunk screw 3x10 -10.9-R2R (In6Rd)	1	ST	VERSION 2
42	5.013-470.0	Plate clamp	1	ST	VERSION 2



12 Elbow screw connector R1" (6.391-867.0)

POS	Article no.	Description	Quantity	Unit
1	6.362-358.0	Seal	1	ST



13 Circulation pump (4.540-133.0)

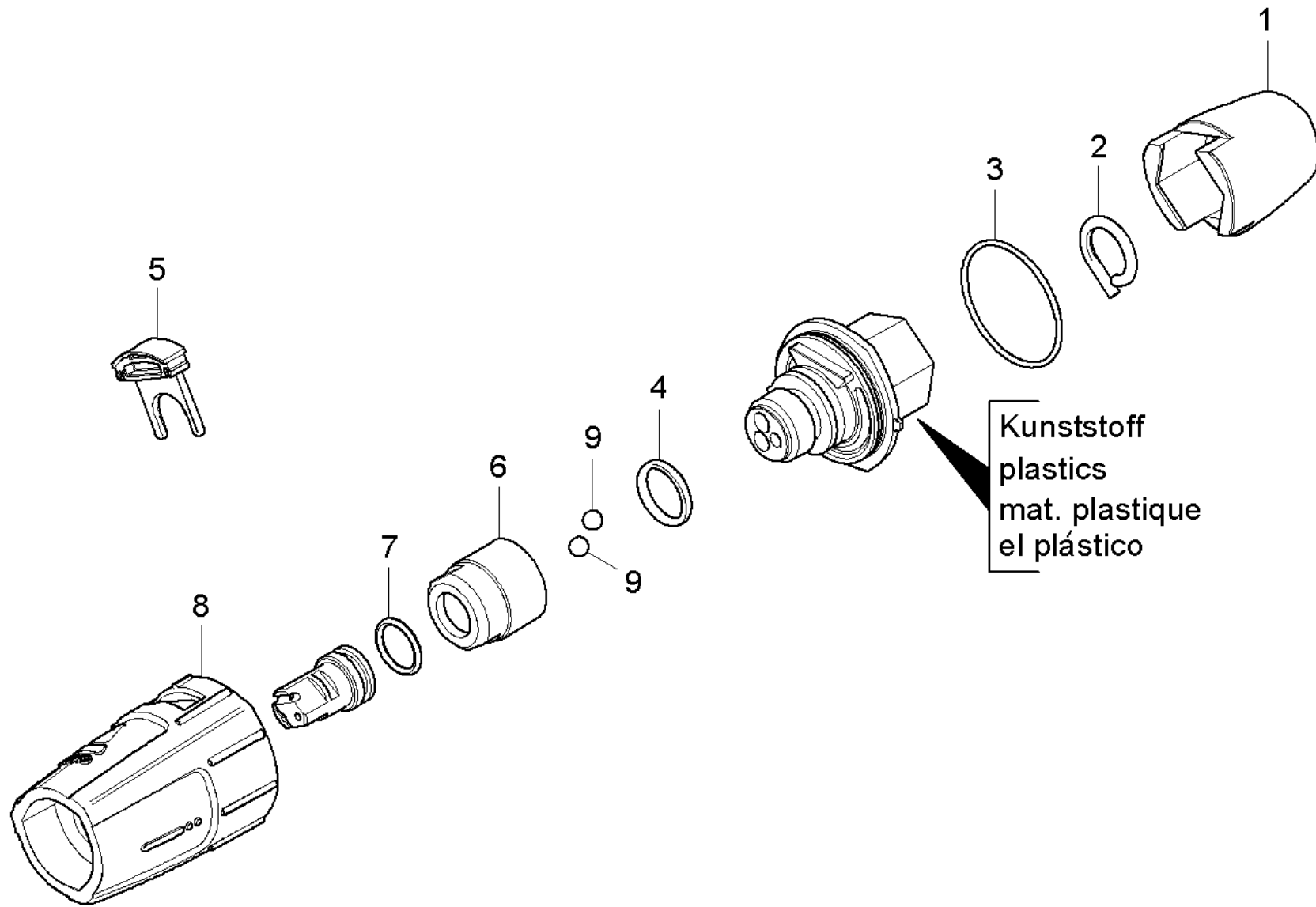
POS	Article no.	Description	Quantity	Unit
1	6.473-533.0	Admission pressure pump one-pole	1	ST
13	6.641-357.0	Cable gland PG11	1	ST

40 Triple jet nozzle only for replacement 0 (4.767-205.0)

POS	Article no.	Description	Quantity	Unit
2	5.970-837.0	Spare parts list triple jet nozzle	1	ST

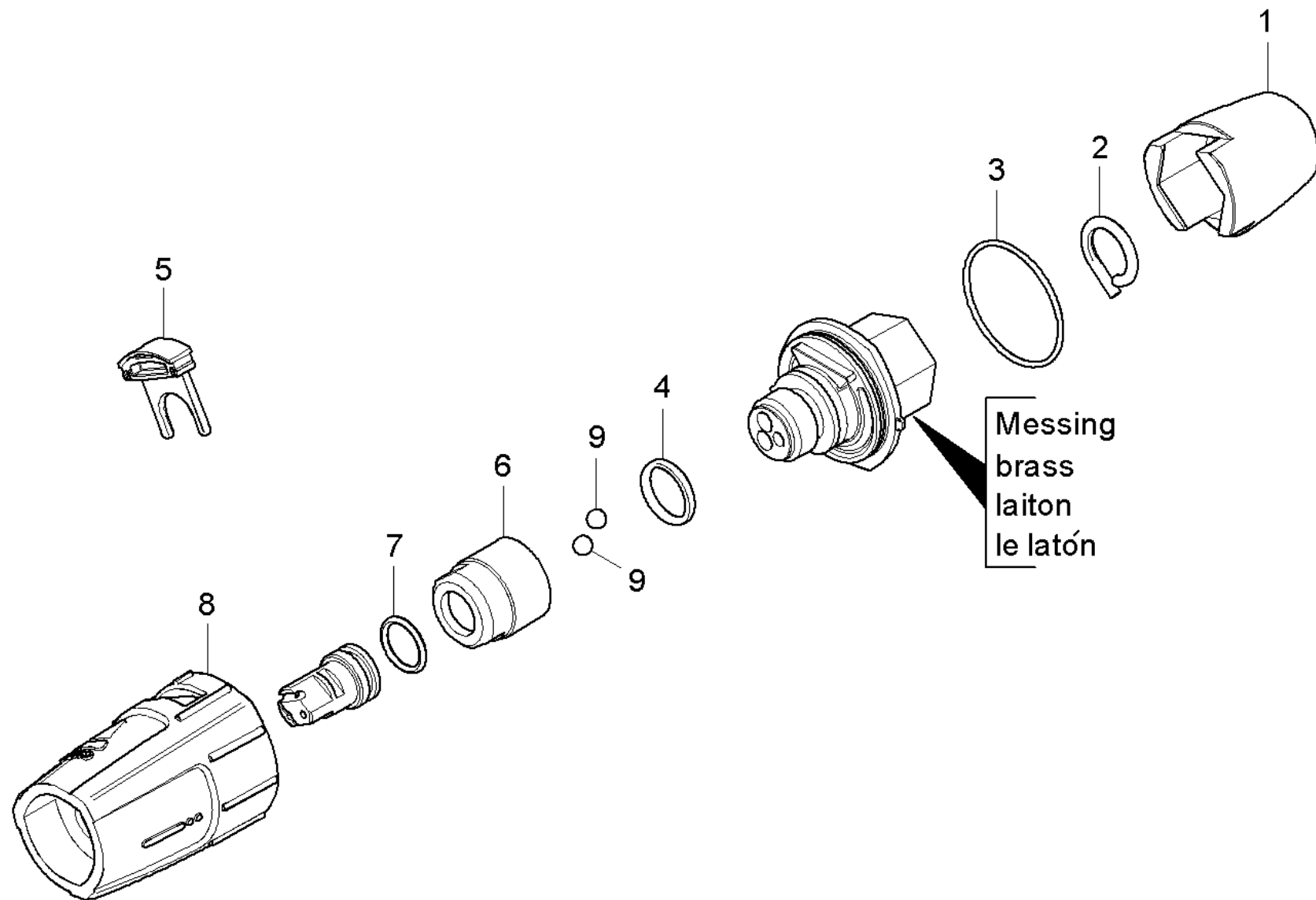
2 Spare parts list triple jet nozzle (5.970-837.0)

POS	Description	Quantity	Unit
10	Triple jet nozzle plastics	1	ST
20	Triple jet nozzle brass	1	ST



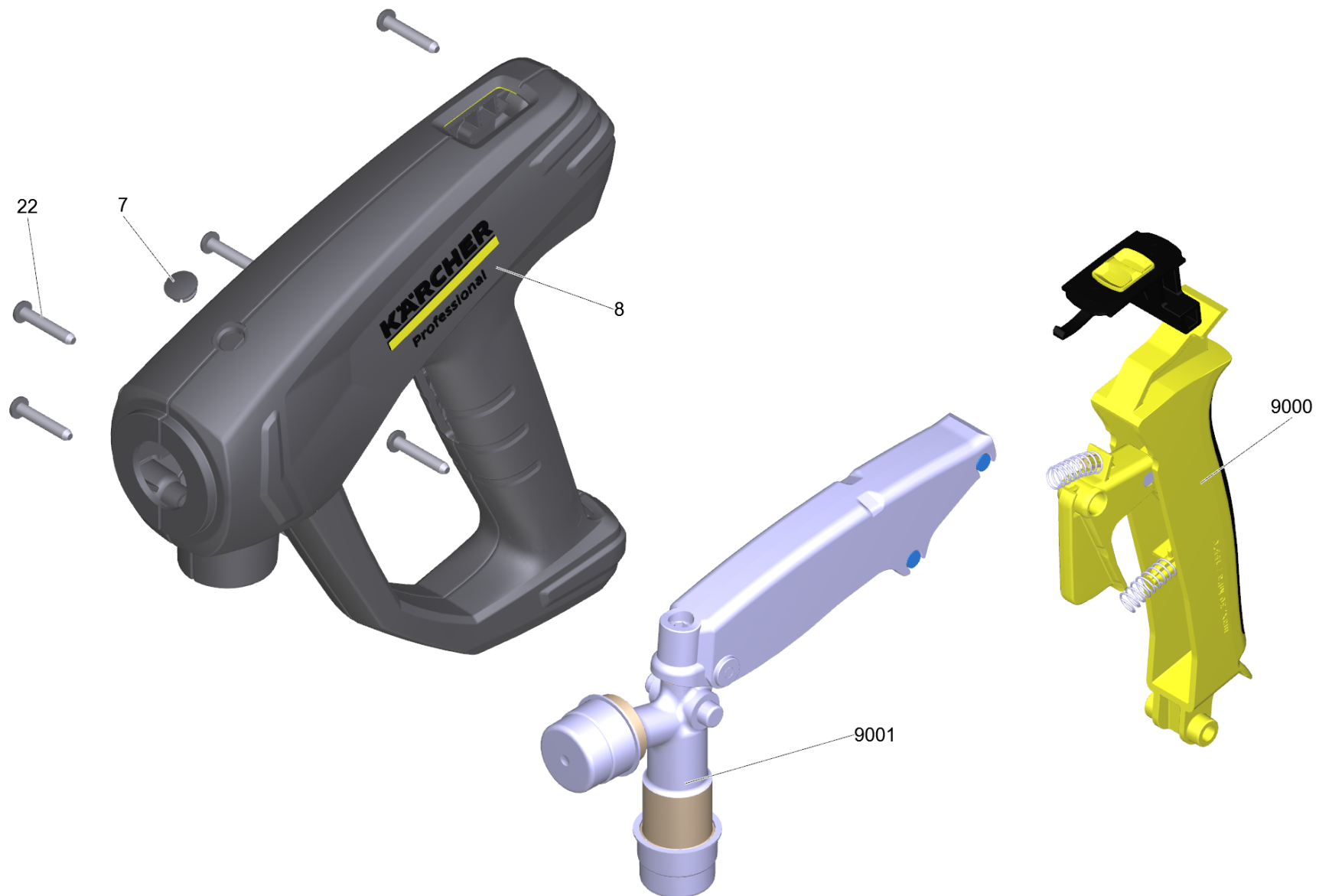
10 Triple jet nozzle plastics

POS	Article no.	Description	Quantity	Unit
1	5.394-530.0	Protection part complete	1	ST
2	6.343-150.0	Pin 03	1	ST
3	6.362-409.0	O-Ring seal 32,0 X 1,5	1	ST
4	7.362-039.0	O-Ring seal 15,5x1,5 -NBR70 DIN 3771	1	ST
5	5.321-884.0	Clamp	1	ST
6	5.311-236.0	Nut	1	ST
7	6.362-480.0	O-Ring seal 12,42x 1,78	1	ST
8	5.394-874.0	Protection part	1	ST
9	7.401-902.0	Sphere 5 G20 -1.4034 DIN 5401	2	ST



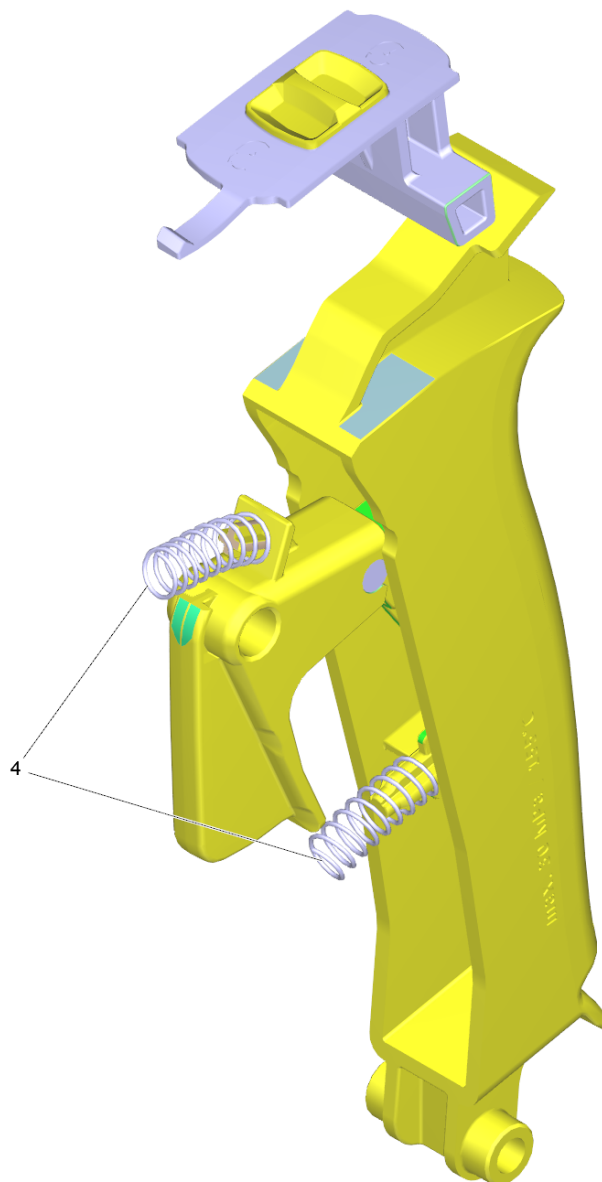
20 Triple jet nozzle brass

POS	Article no.	Description	Quantity	Unit
1	5.394-530.0	Protection part complete	1	ST
2	6.343-150.0	Pin 03	1	ST
3	6.362-409.0	O-Ring seal 32,0 X 1,5	1	ST
4	6.362-460.0	O-Ring seal 14,0 X 2,5-NBR 70	1	ST
5	5.321-884.0	Clamp	1	ST
6	5.311-225.0	Nut	1	ST
7	6.362-480.0	O-Ring seal 12,42x 1,78	1	ST
8	5.394-859.0	Protection part	1	ST
9	7.401-902.0	Sphere 5 G20 -1.4034 DIN 5401	2	ST



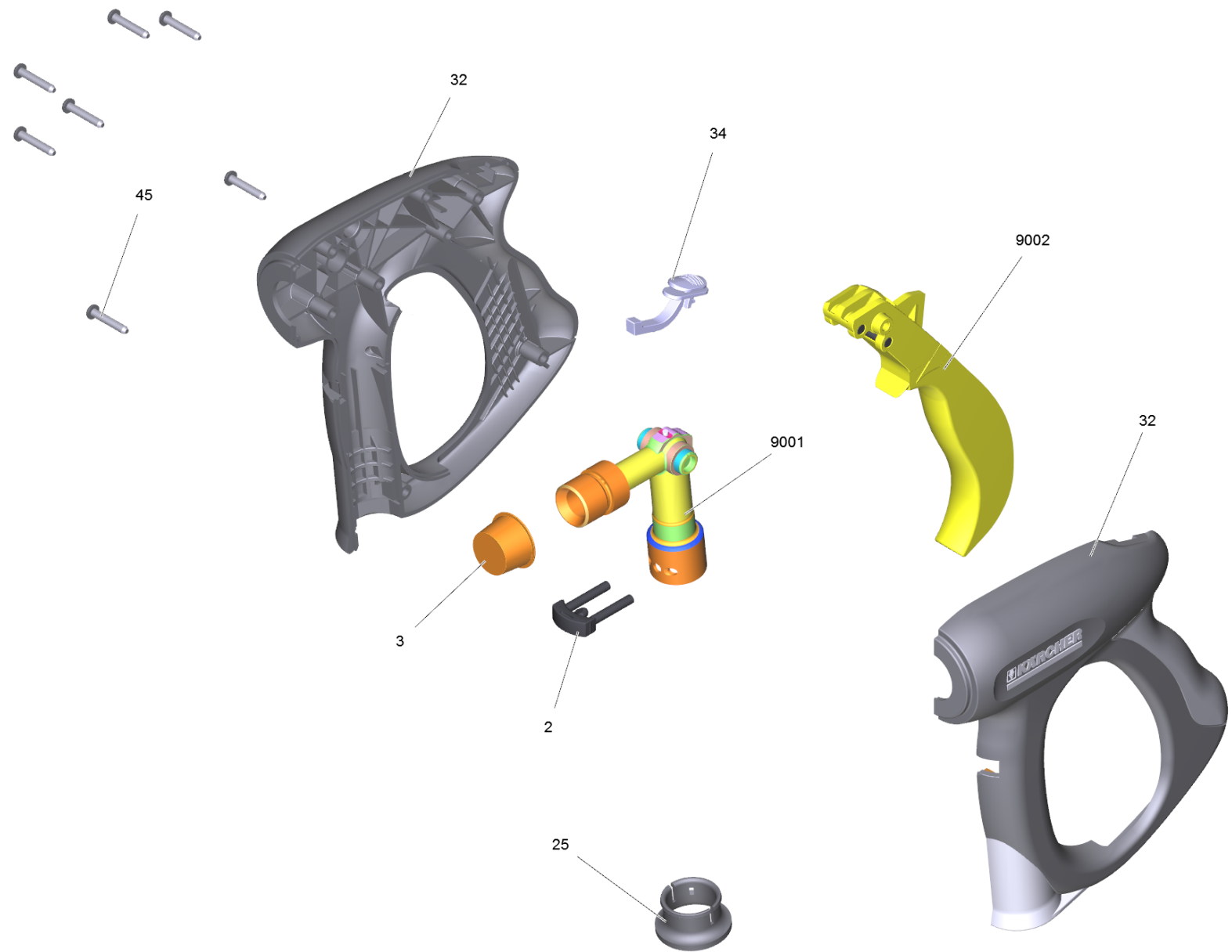
41 EASY!Force Advanced (4.118-005.0)

POS	Article no.	Description	Quantity	Unit
7	5.132-001.0	Plug	1	ST
8	5.321-136.3	Handhold few EH 155 only for replacement	1	ST
22	7.303-096.0	Screw 4x22 -ST-10.9-R2R (IN6RD)	7	ST
9000	2.885-483.0	Spare part set lever	1	ST
9001	4.427-014.0	Manifold TR EH 155 nur fuer Ersatz	1	ST



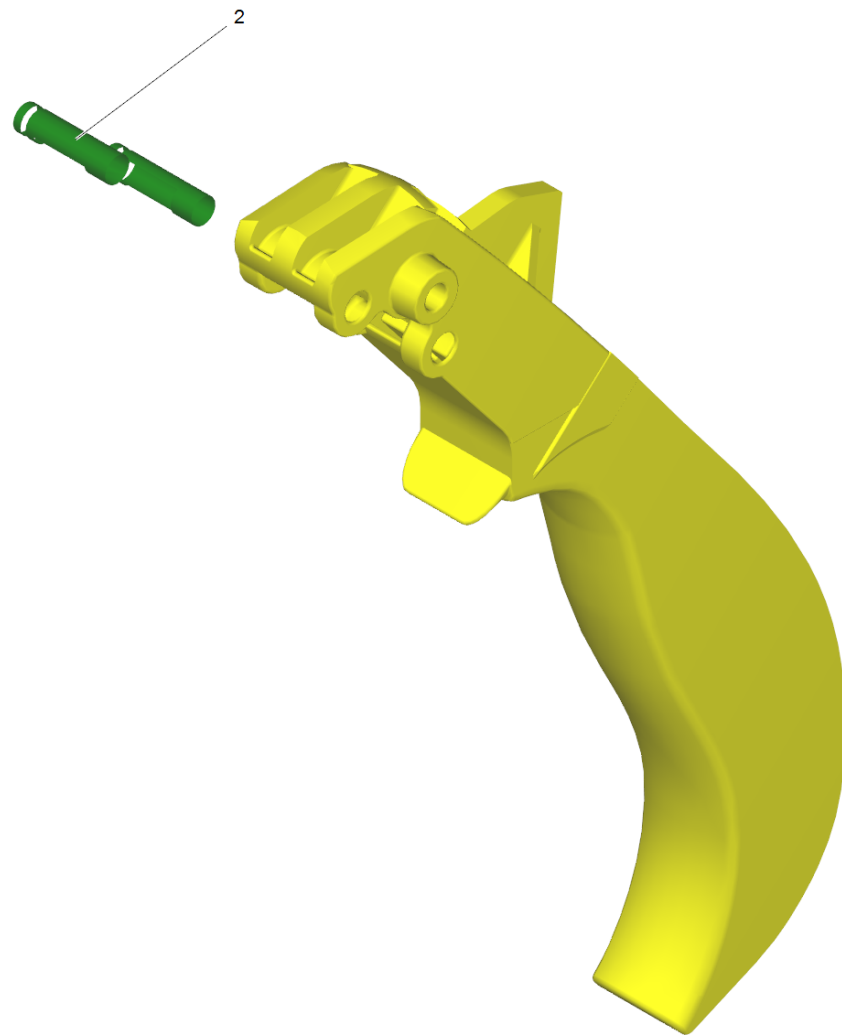
9000 Spare part set lever (2.885-483.0)

POS	Article no.	Description	Quantity	Unit
4	5.332-178.0	Helical spring	2	ST



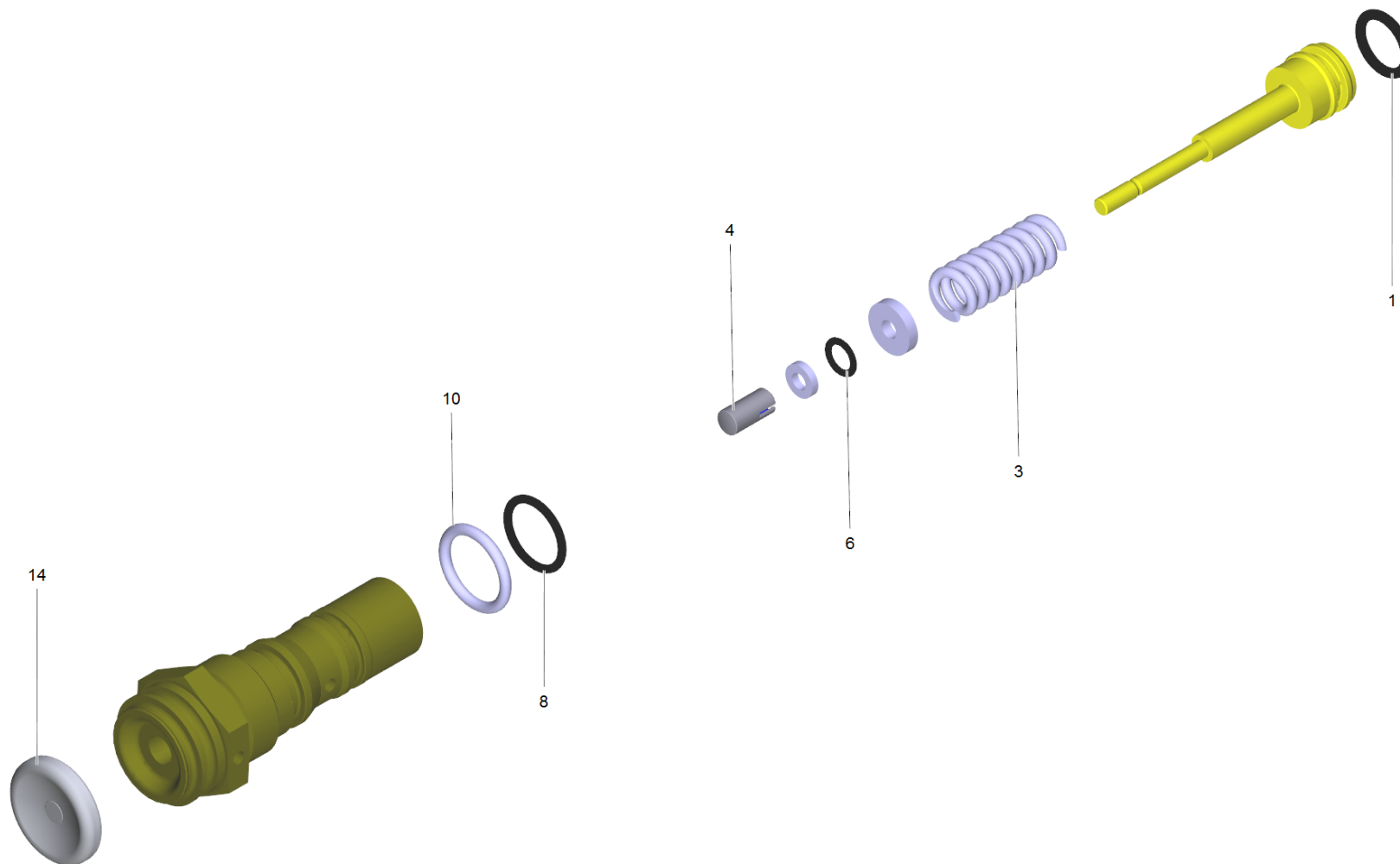
41 HAND TRIGGER GUN EASY PRESS (4.775-463.0)

POS	Article no.	Description	Quantity	Unit
2	4.037-013.0	Hook	1	ST
3	6.368-012.0	Protecting cap 22X1,5	1	ST
4	6.869-075.0	Metal bonding agent 1,5 ml	1	ST
cart_info_txt: This material is not available due to hazardous good regulation. Please procure this or a similar material from a local supplier of your choice.				
25	5.110-596.0	Sleeve	1	ST
32	5.321-669.3	Handhold few	1	ST
34	5.481-331.0	Slider	1	ST
45	7.303-096.0	Screw 4x22 -ST-10.9-R2R (IN6RD)	7	ST
1041	6.288-044.0	Silicon grease 100 G	1	ST
9001	4.427-215.0	Manifold complete only for replacement	1	ST
9002	4.481-209.0	Lever complete	1	ST



9002 Lever complete (4.481-209.0)

POS	Article no.	Description	Quantity	Unit
2	5.314-119.0	Pin	2	ST

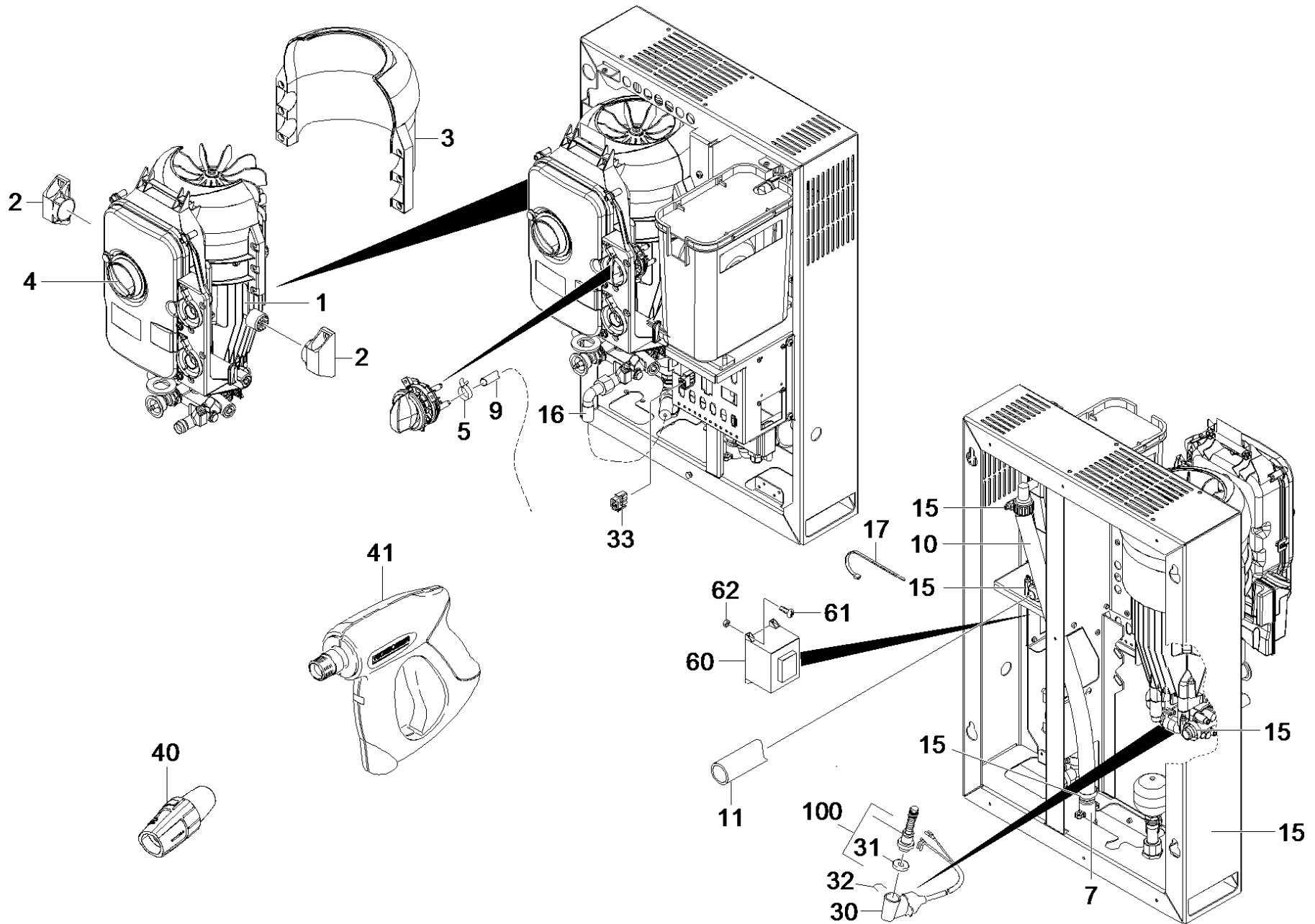


100 Spare part set control piston (2.885-226.0)

POS	Article no.	Description	Quantity	Unit
1	6.363-350.0	O-Ring seal 8.74x1.78	1	ST
3	5.332-511.0	Helical spring	1	ST
4	5.110-947.0	Sleeve	1	ST
6	6.363-330.0	O-Ring seal 2,9 x 1,78	1	ST
8	6.363-452.0	O-Ring seal 11 x 1,5	1	ST
10	6.363-519.0	O-Ring seal 12,00x 2,00	1	ST
14	5.367-030.0	Diaphragm	1	ST

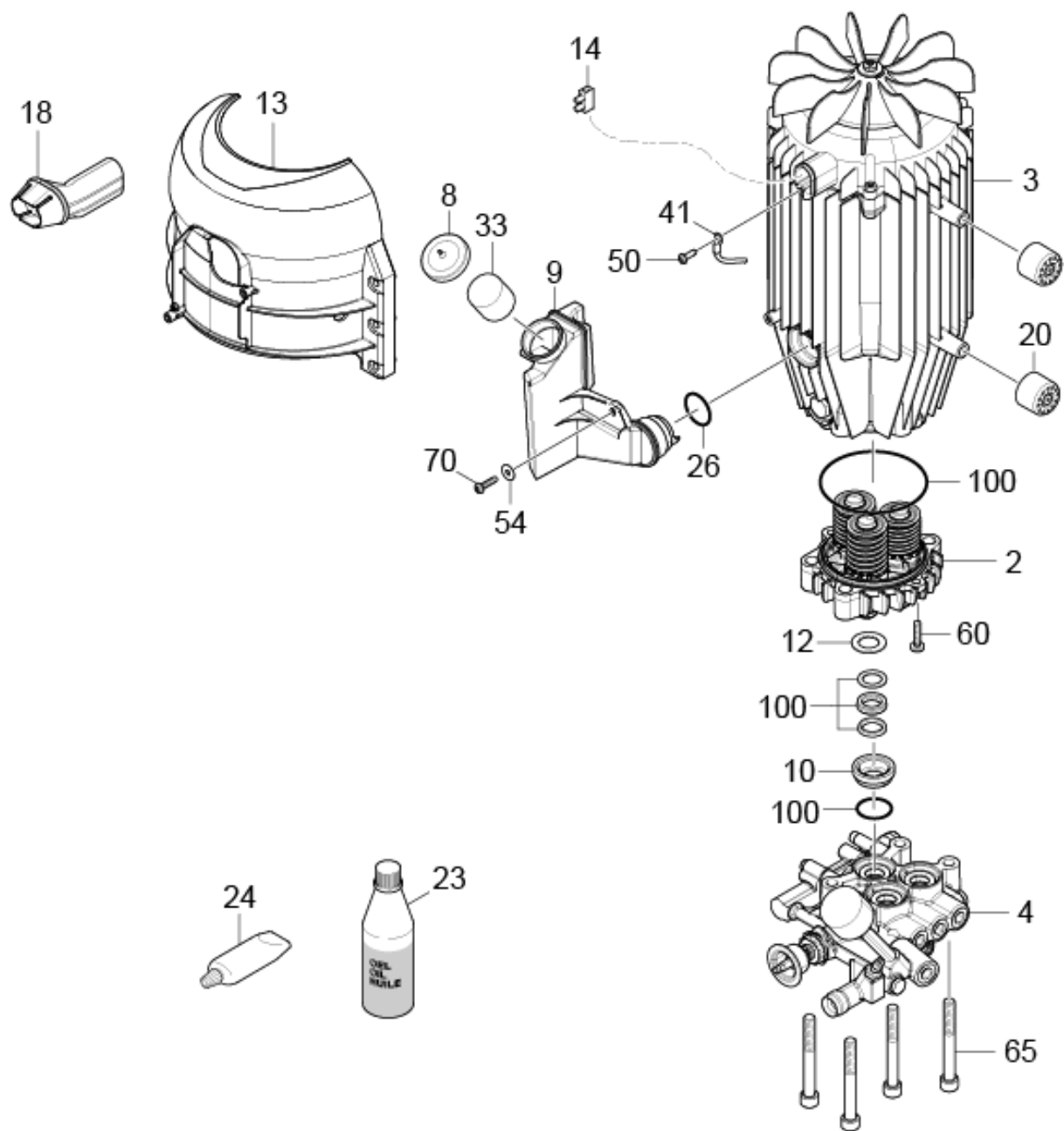
33 Pump set complete HD 7/16-4 ST 220-240V 60Hz

POS	Article no.	Description	Quantity	Unit
1000	2.532-028.3	Spare parts list pump set complete HD 7/	1	ST



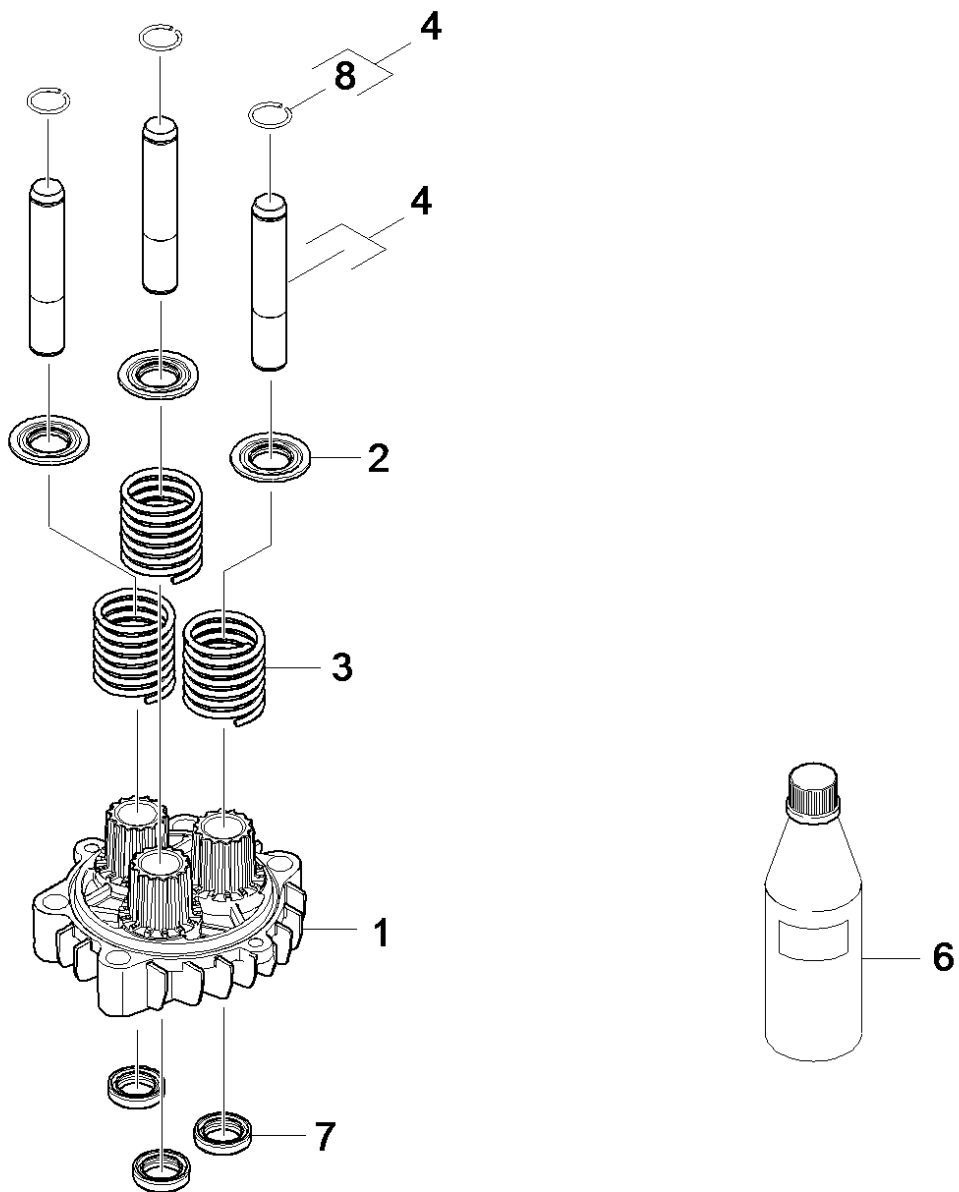
1000 Spare parts list pump set complete HD 7/ (2.532-028.3)

POS	Article no.	Description	Quantity	Unit	Remark
1		Pump set HD 7/16-4 ST 60Hz	1	ST	
2	5.044-891.0	Holder	2	ST	
3	2.885-228.0	Spare part set air circulation	1	ST	
4		Electric control box HD-ST 7/16 230V	1	ST	
5	6.390-133.0	Hose clip	2	ST	
7	5.427-432.0	Manifold	1	ST	
9	6.388-247.0	Hose DN8 -PVC	0,44	M	
10	6.388-719.0	Hose DN17	0,57	M	
11	5.443-628.0	Hose	1	ST	
15	7.373-022.0	Hose clip A-16-27x9 -W2-2 DIN3017	4	ST	
16	6.392-198.0	Hose assembly DN8 40MPa 0,46m	1	ST	
17	6.641-465.0	Cable tape	1	ST	
30	4.744-190.0	Switch complete	1	ST	
31	5.367-030.0	Diaphragm	1	ST	
32	5.034-494.0	Retaining bracket	1	ST	
33	6.649-887.0	Plug triple dummy plug	1	ST	
40	4.117-033.0	Triple jet nozzle TR 040	1	ST	1.524-950.2
40	4.767-150.0	Triple jet nozzle only for replacement 0	1	ST	1.524-500.2
41	4.118-005.0	EASY!Force Advanced	1	ST	1.524-950.2
41	4.775-463.0	HAND TRIGGER GUN EASY PRESS	1	ST	1.524-500.2
60	6.622-336.0	Control transformer 96VA - EI78/40,5 230	1	ST	
61	7.306-058.0	Screw M 4X 12- 8.8-R2R K-IN6RD	4	ST	
62	7.311-569.0	Square nut M4 -04-A2E DIN 562	4	ST	
100	2.885-226.0	Spare part set control piston	1	ST	



1 Pump set HD 7/16-4 ST 60Hz

POS	Article no.	Description	Quantity	Unit
2		Housing thrust guidance 10° HD 7/16-4 ST	1	ST
3	4.624-221.0	Motor complete only for replacement	1	ST
4		Cylinder head complete	1	ST
8	5.064-457.0	Cover plate qusty grey oil	1	ST
9	5.070-658.0	Tank oil	1	ST
10	5.112-885.0	Bush	3	ST
12	5.115-432.0	Washer	3	ST
13	2.885-228.0	Spare part set air circulation	1	ST
14	6.643-151.0	Strip terminal one-pole 16mm²	1	ZST
18	5.365-341.0	Profile gasket long	1	ST
20	5.767-005.0	Rubber buffer	4	ST
23	6.288-016.0	Gear oil 1L	1	ST
24		Silicon grease	0,005	ZST
26	6.362-722.0	O-Ring seal 28,0 X 3,0	1	ST
33	5.132-187.0	Plug	1	ST
41	4.820-578.0	Cable green/yellow 1,5mm²x450mm	1	ST
50	7.303-031.0	Screw M4x10 -St-P2R (In6Rd)	1	ST
54	7.312-282.0	Washer 5 -A2 ISO 7093-1	1	ST
60	7.306-094.0	Screw M6x25 -8.8-R3R (In6Rd)	2	ST
65	7.306-807.0	Cylinder head screw M10x85-8.8-A3E ISO4	4	ST
70	6.303-320.0	Screw M 5x 20-St-R2R	1	ST
100	2.885-317.0	Pump set HD 7/16-4 ST-H	1	ST

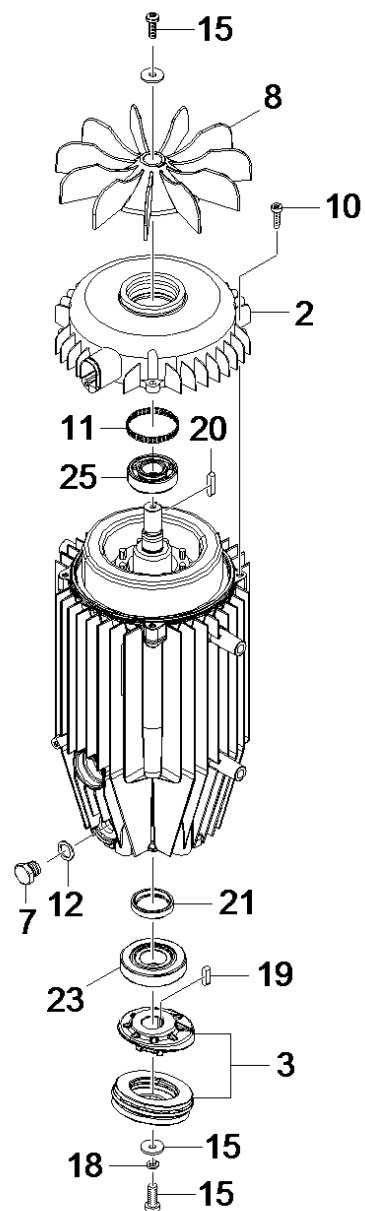


2 Housing thrust guidance 10° HD 7/16-4 ST

POS	Article no.	Description	Quantity	Unit
1	5.061-059.0	Housing	1	ST
2	5.116-134.0	Washer	3	ST
3	5.333-027.0	Helical spring	3	ST
4	4.553-332.0	Spare part set piston complete	3	ST
6	6.288-016.0	Gear oil 1L	1	ST
7		Part at pump set	1	ST
8	7.343-473.0	Snap ring 18 -FST DIN 9925	3	ST

3 Motor complete only for replacement (4.624-221.0)

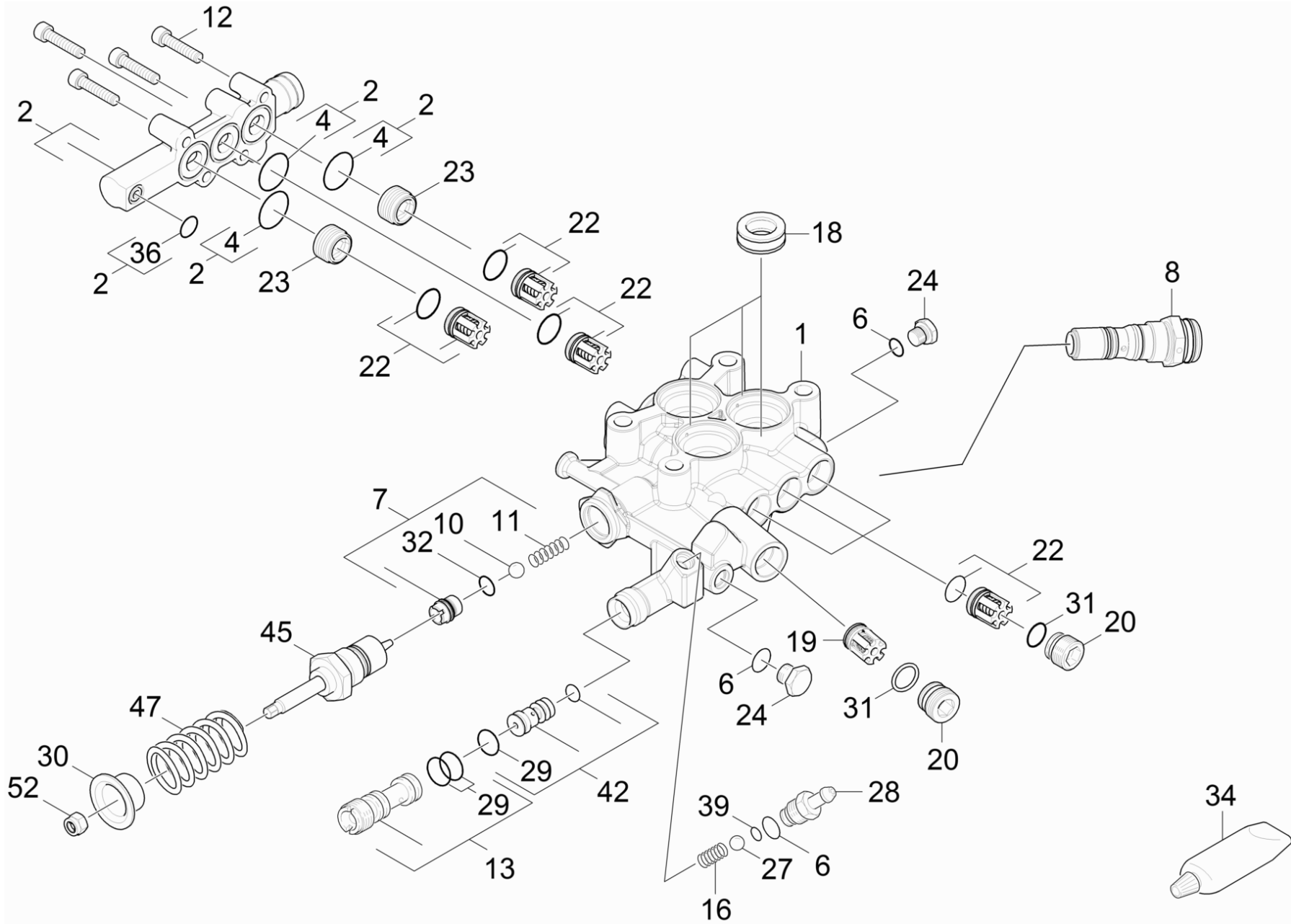
POS	Description	Quantity	Unit
1	Motor complete HD 7/16-4ST 60Hz	1	ST



1 Motor complete HD 7/16-4ST 60Hz

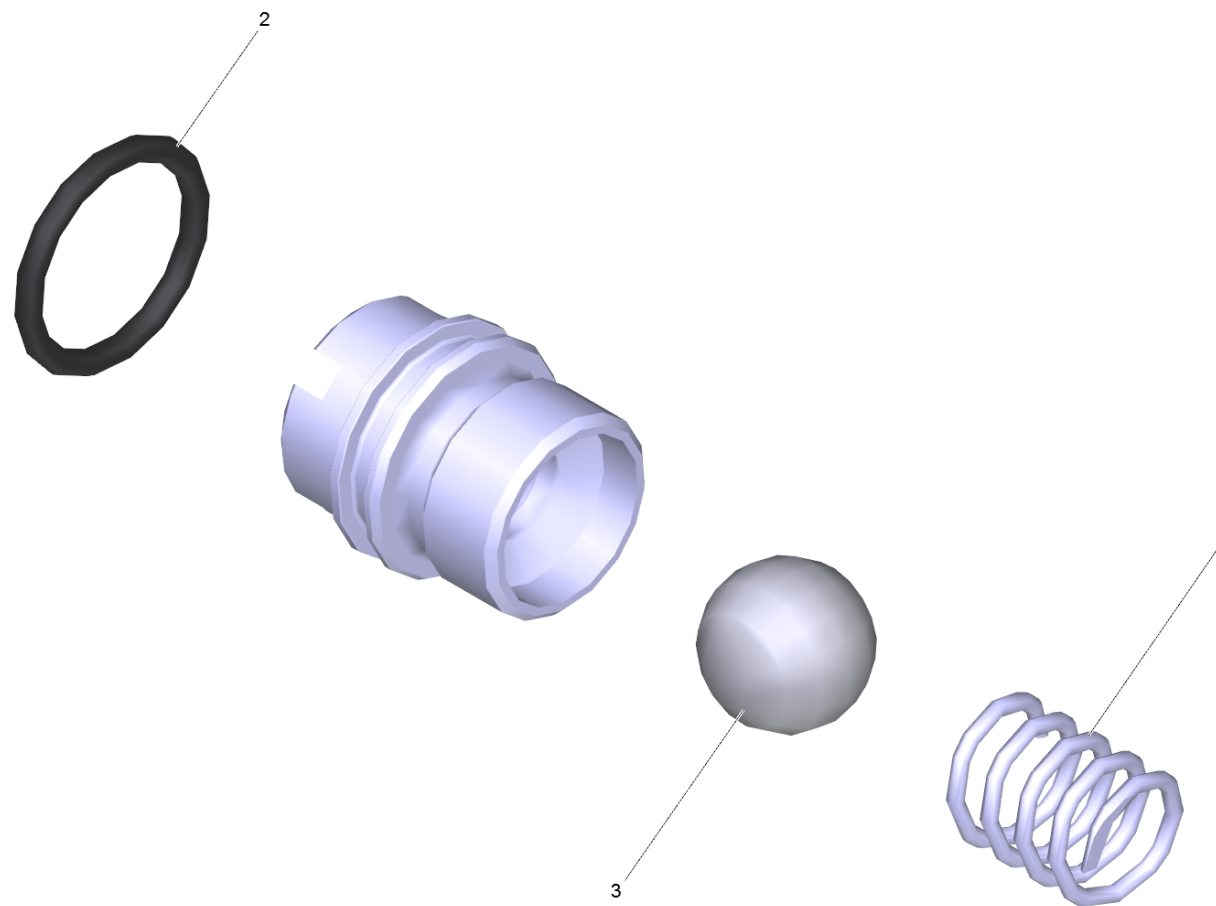
POS	Article no.	Description	Quantity	Unit
2	5.063-707.0	Bearing cover B	1	ST
3	4.120-218.0	Wobble plate	1	ST
7	5.411-100.0	Screw plug	1	ST
8	5.600-046.0	Blower wheel	1	ST
10	6.303-265.0	Self-tapping screw M6x20	4	ST
	Item text2: 46233130			
11	6.343-171.0	Tolerance ring	1	ST
	Item text2: 46233130			
12	6.363-498.0	O-Ring seal 11,0x2,0 HNBR	1	ST
15	7.306-092.0	Screw M6x20-ST- 8.8-R3R (IN6RD)	2	ST
	Item text2: 46233130			
16	7.312-260.0	Washer 6 -100HV-A3E ISO 7094	2	ST
	Item text2: 46233130			
18	7.313-003.0	Spring washer B 6-FSt-A3E DIN 127	1	ST
	Item text2: 46233130			
19	7.318-070.0	Parallel key 5x5x20-C45K DIN 6885-1	1	ST
	Item text2: 46233130			
20	7.318-079.0	Parallel key A 5x5x25-C45K DIN 6885	1	ST
	Item text2: 46233130			
21	7.367-021.0	Radial shaft seal ring A30x40x7 -FKM DI	1	ST
	Item text2: 46233130			
23	6.401-399.0	Taper roller bearing	1	ST
24		Deep groove ball thrust bearing	1	ST
25	6.401-285.0	Ball bearing 6204 2RS	1	ST
	Item text2: 46233130			

4 Cylinder head complete



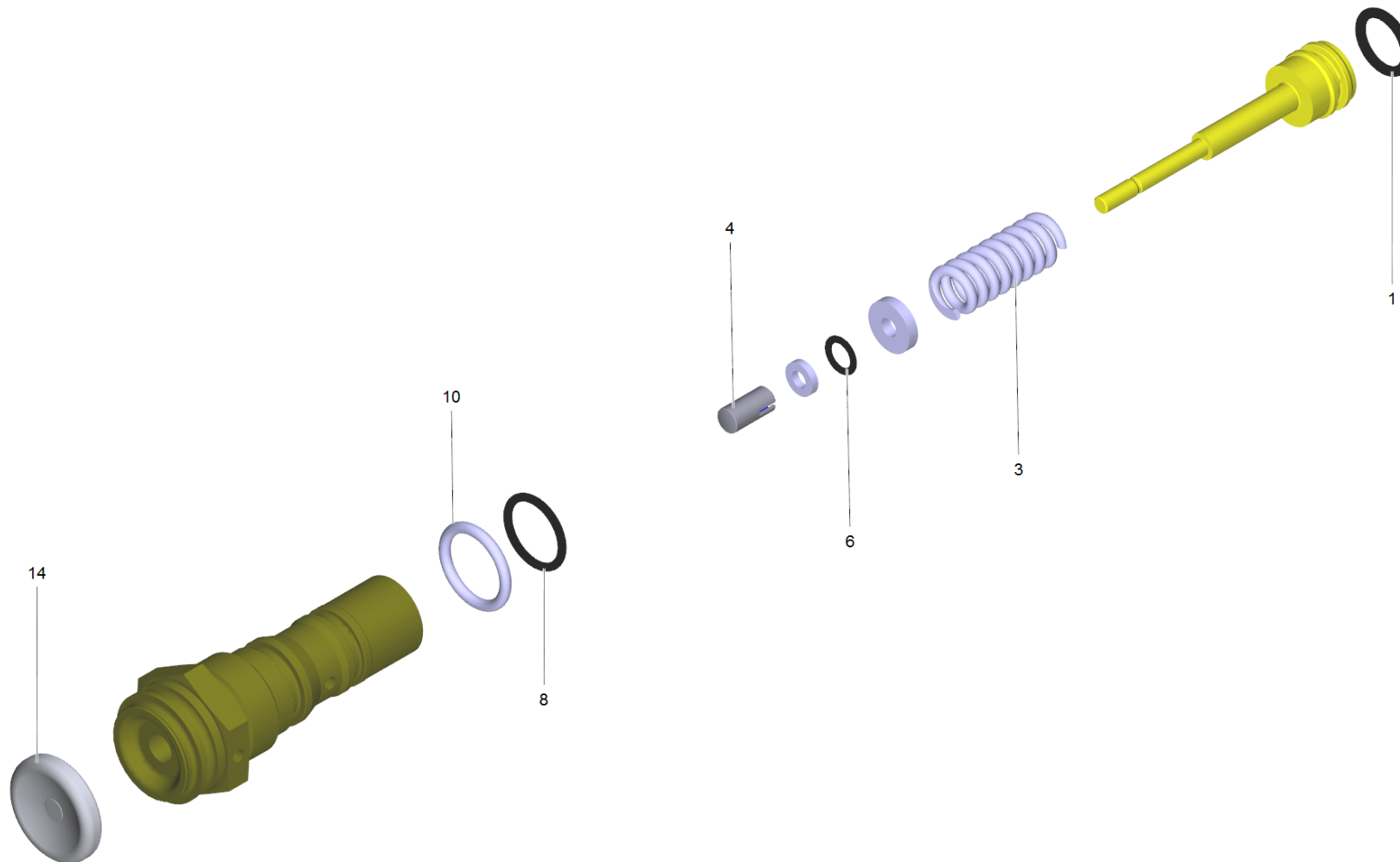
4 Cylinder head complete

POS	Article no.	Description	Quantity	Unit
1	4.550-976.0	Spare part set cylinder head HD	1	ST
2	4.064-023.0	Suction cover complete only for replacem	1	ST
4		Part at pump set	1	ST
6		Part at pump set	1	ST
7	4.481-226.0	Valve seat complete	1	ST
8	2.885-226.0	Spare part set control piston	1	ST
10	7.401-907.0	Sphere 3/8 G200-1.4301 DIN 5401	1	ST
11	5.332-999.0	Helical spring	1	ST
12	7.306-024.0	Cylinder head screw M6x30 -8.8-A2E ISO4762	4	ST
13	5.769-158.0	Nozzle insert D1.6/D2.0/L38	1	ST
16	5.332-258.0	Helical spring	1	ST
18		Part at pump set	1	ST
19		Part at pump set	1	ST
20	4.483-002.0	Valve screw	4	ST
22		Part at pump set	1	ST
23	5.583-177.0	Valve screw M20x1	2	ST
24	5.411-070.0	Screw plug	2	ST
27	7.401-908.0	Sphere 7 G300 -1.4301 DIN 5401	1	ST
28	5.443-370.0	Nipple	1	ST
29	6.362-384.0	O-Ring seal 9x1,5 - NBR 70	3	ST
30	5.112-757.0	Bush	1	ST
31		Part at pump set	1	ST
32	6.362-858.0	O-Ring seal 11,0 X 1,5	1	ST
34	6.288-044.0	Silicon grease 100 G	1	ST
36		Part at pump set	1	ST
39	6.363-597.0	O-Ring seal 5,28 x 1,78	1	ST
42	2.885-230.0	Spare part set nozzle insert only for re	1	ST
45	2.885-227.0	Spare part set overflow valve	1	ST
47	5.332-530.0	Helical spring	1	ST
51		Screw plug pressure switch	1	ST
52	7.311-510.0	Hexagon nut M 8-8-A2E ISO 7040	1	ST



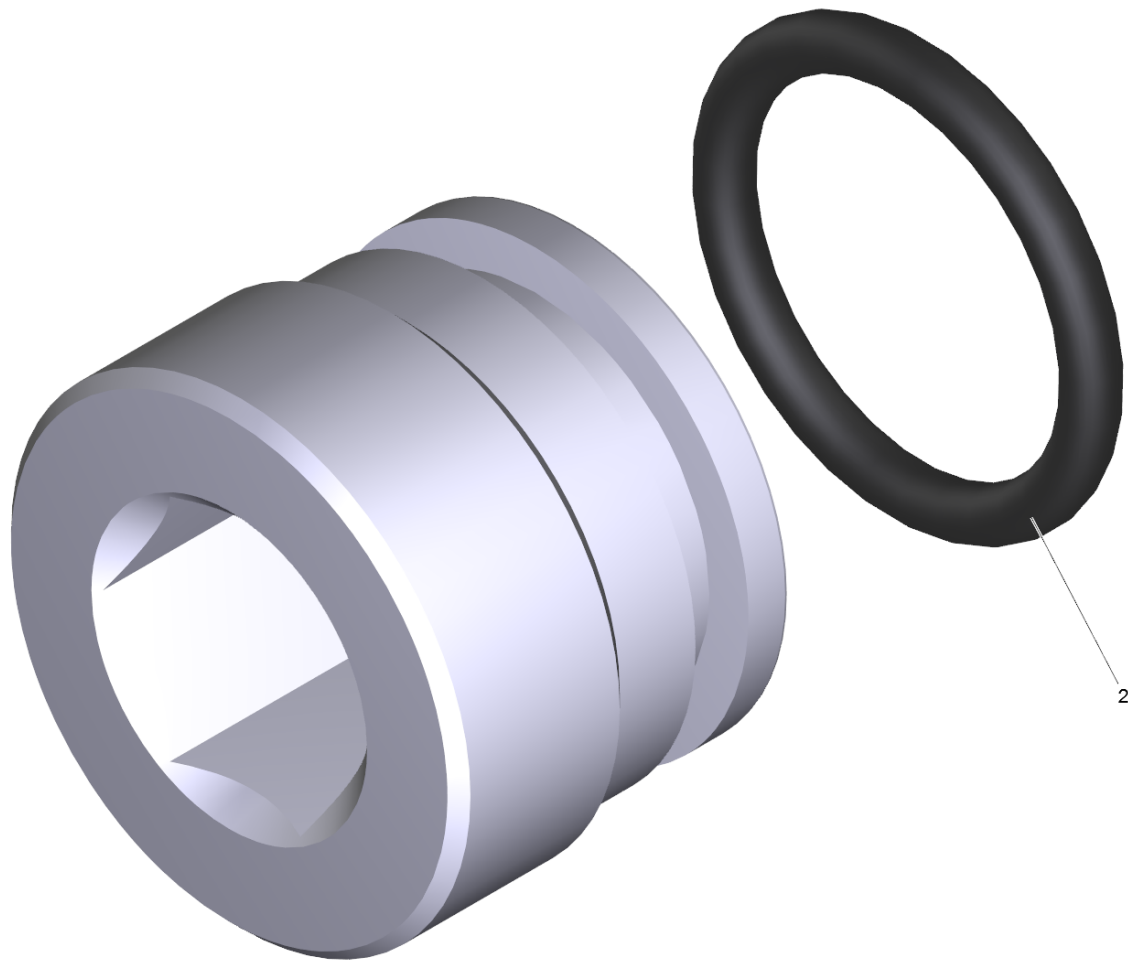
7 Valve seat complete (4.481-226.0)

POS	Article no.	Description	Quantity	Unit
2	6.362-858.0	O-Ring seal 11,0 X 1,5	1	ST
3	7.401-907.0	Sphere 3/8 G200-1.4301 DIN 5401	1	ST
4	5.332-999.0	Helical spring	1	ST



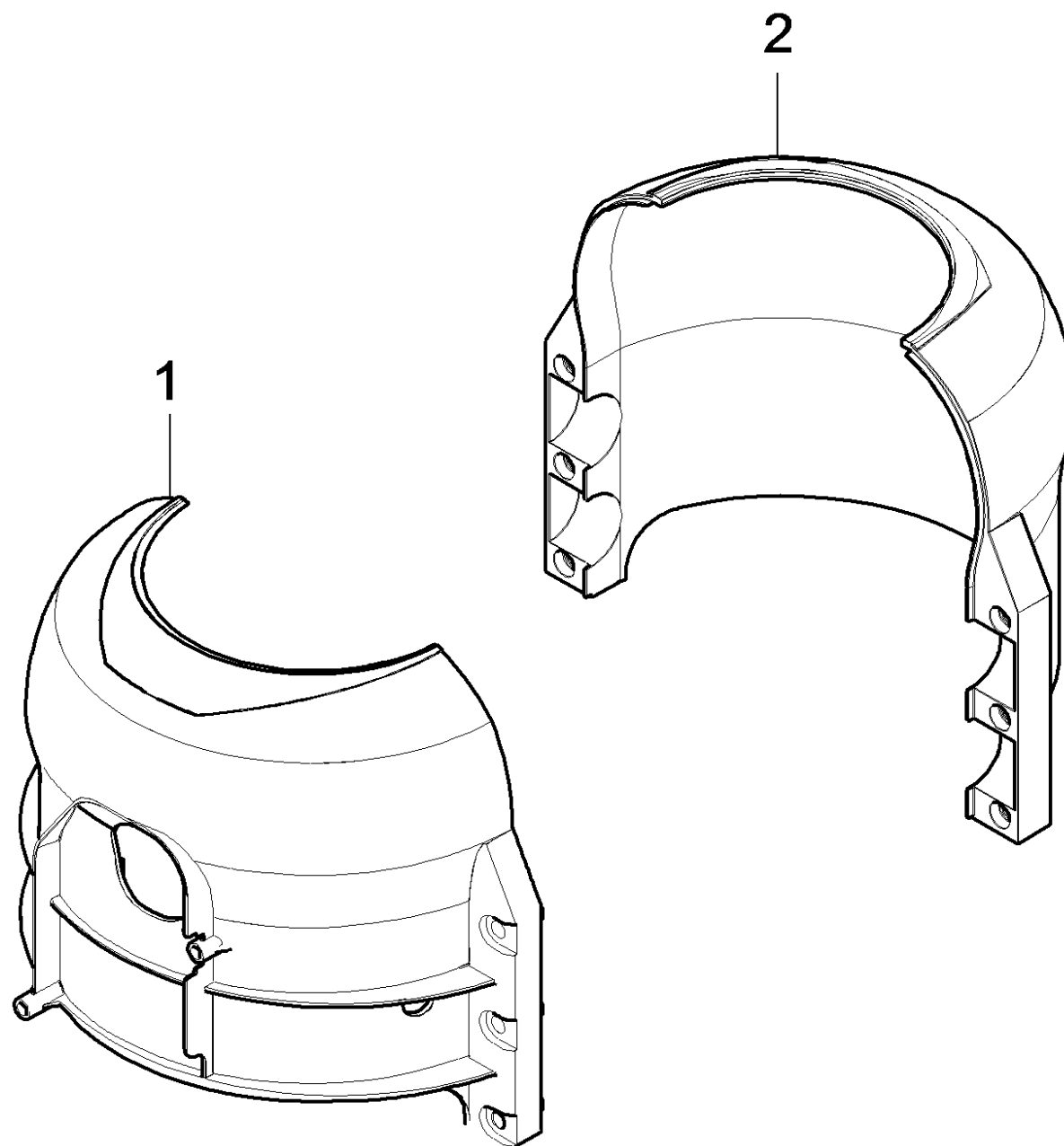
8 Spare part set control piston (2.885-226.0)

POS	Article no.	Description	Quantity	Unit
1	6.363-350.0	O-Ring seal 8.74x1.78	1	ST
3	5.332-511.0	Helical spring	1	ST
4	5.110-947.0	Sleeve	1	ST
6	6.363-330.0	O-Ring seal 2,9 x 1,78	1	ST
8	6.363-452.0	O-Ring seal 11 x 1,5	1	ST
10	6.363-519.0	O-Ring seal 12,00x 2,00	1	ST
14	5.367-030.0	Diaphragm	1	ST



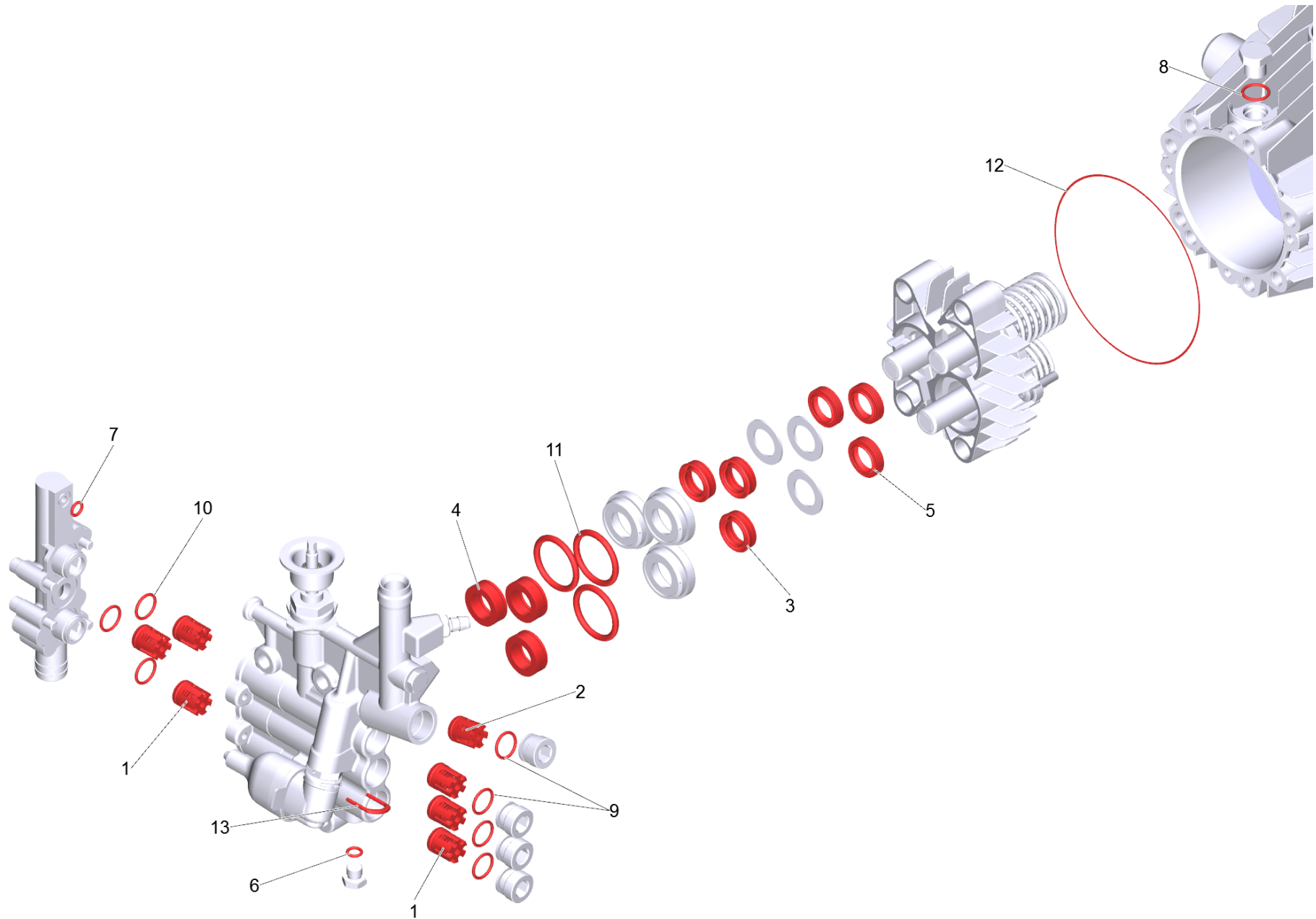
20 Valve screw (4.483-002.0)

POS	Article no.	Description	Quantity	Unit
2	6.363-459.0	O-Ring seal 14 x 2	1	ST



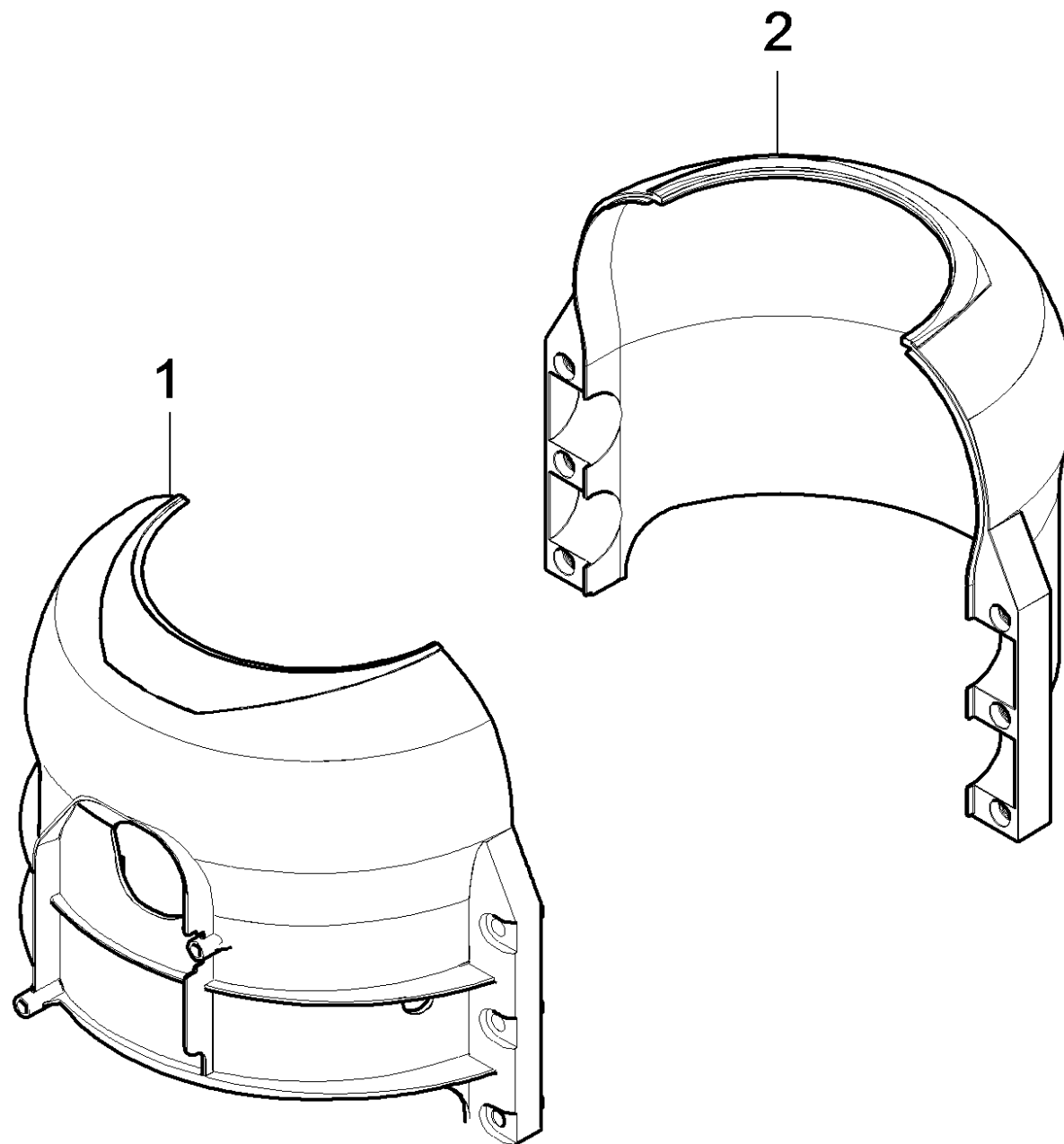
13 Spare part set air circulation (2.885-228.0)

POS	Description	Quantity	Unit
1	Air circulation front	1	ST
2	Air circulation rear	1	ST



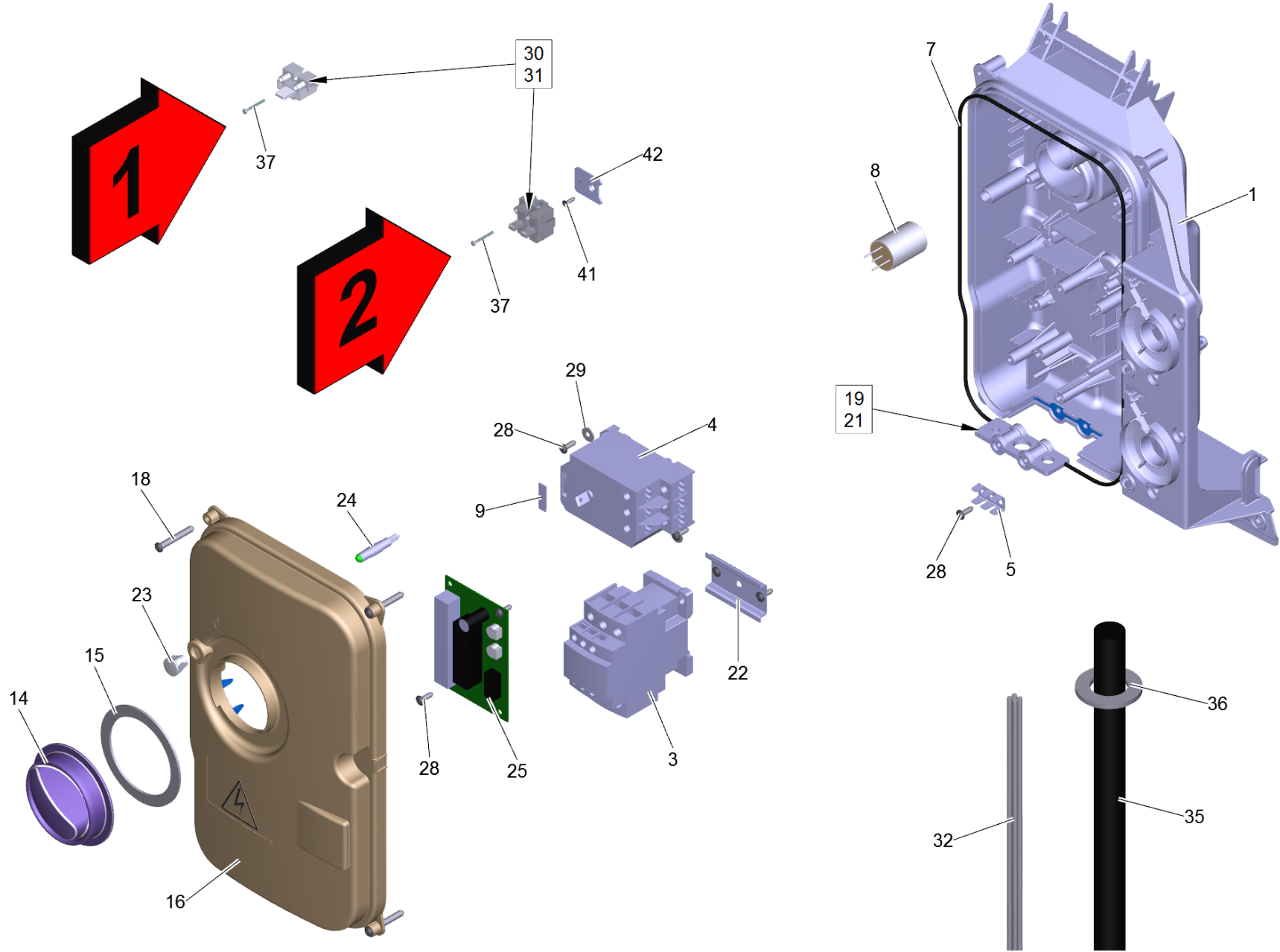
100 Pump set HD 7/16-4 ST-H (2.885-317.0)

POS	Article no.	Description	Quantity	Unit
1	2.885-139.0	Valve (3Stueck)	2	ST
2	4.580-734.0	Valve complete	1	ST
3	2.885-432.0	Set of gaskets ND PTFE (3x)	1	ST
4	2.885-237.0	Set of gaskets high pressure W1 (3 Stuec	1	ST
5	6.365-560.0	Grooved ring 18x26x7/6	3	ST
6	6.363-496.0	O-Ring seal 7,0x2,0	3	ST
7	6.363-492.0	O-Ring seal 8,0x1,5	1	ST
8	6.363-498.0	O-Ring seal 11,0x2,0 HNBR	1	ST
9	6.363-459.0	O-Ring seal 14 x 2	3	ST
10	6.363-494.0	O-Ring seal 20,0x1,5	3	ST
11	6.363-462.0	O-Ring seal 33,05 x 1,78	3	ST
12	6.363-618.0	O-Ring seal 88.57 x 2.62 HNBR 70 Shore	1	ST
13	5.034-494.0	Retaining bracket	1	ST
14	6.288-072.0	Silicon grease	1	ST



3 Spare part set air circulation (2.885-228.0)

POS	Description	Quantity	Unit
1	Air circulation front	1	ST
2	Air circulation rear	1	ST

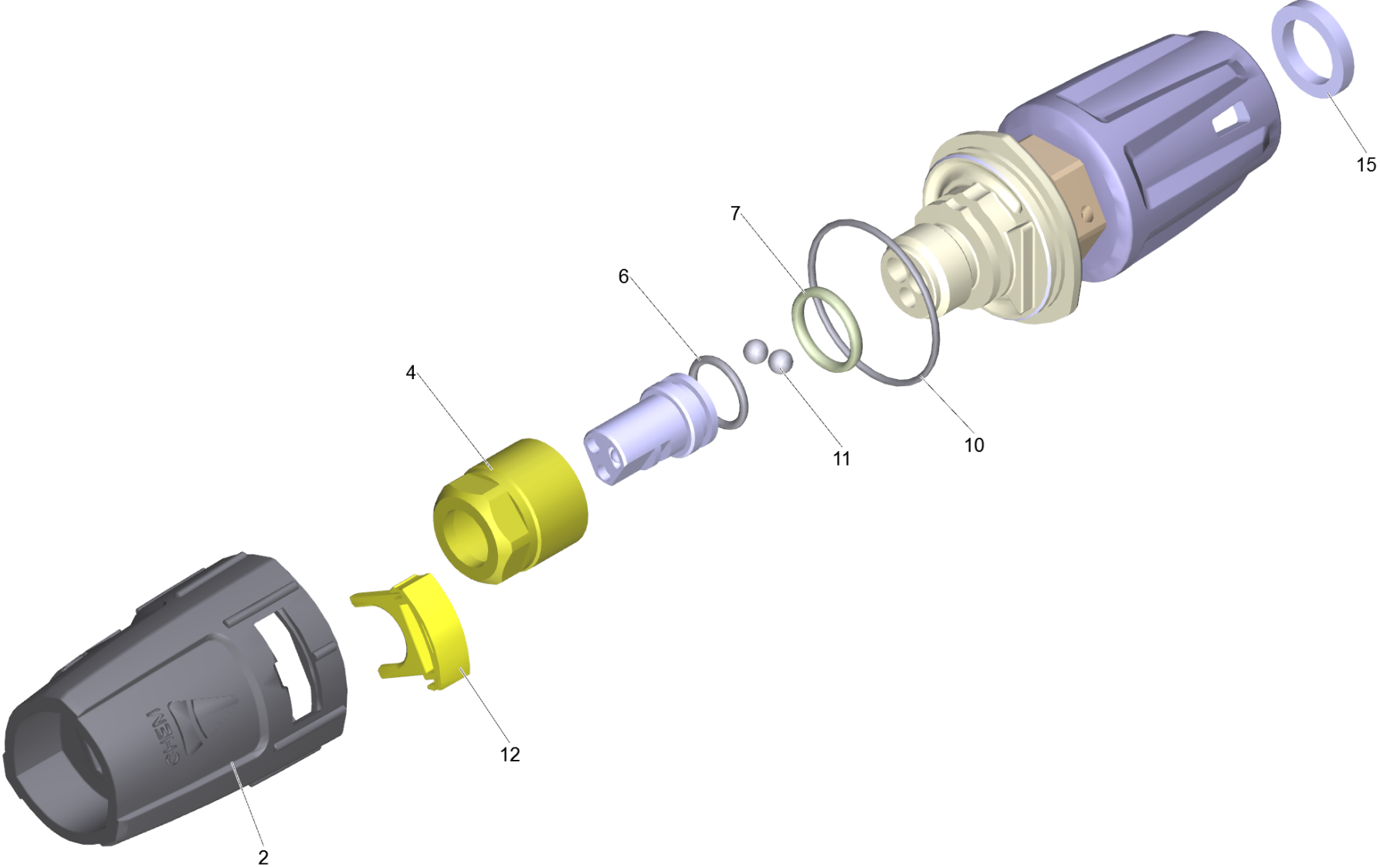


4 Electric control box HD-ST 7/16 230V

POS	Article no.	Description	Quantity	Unit	Foot note text
1	5.062-336.0	Housing electric control box	1	ST	
3	6.632-334.0	Power contactor LC1 D32 B7	1	ST	
4	6.631-190.0	Motor protecting switch	1	ST	
5	6.641-270.0	Plug	1	ST	
7	6.273-037.0	Seal string cellular rubber 3	0,8	M	
8	6.661-302.0	Interference suppressor triple-pole	1	ST	
9	6.630-049.0	Cap	1	ST	
14	5.321-692.0	Handle	1	ST	
15	5.363-616.0	Joint ring	1	ST	
16	5.064-413.0	Cover electric control box	1	ST	
18	7.303-085.0	Screw 4x 35 -10.9-R2R (K-In6Rd)	4	ST	
19		Tensioning part 13/14/7	2	ST	
21		Sheet metal screw ST3,9x45 -St-A2K-C-H I	2	ST	
22	5.802-261.0	Mounting part	1	ST	
23	6.651-506.0	Lens housing	1	ST	
24	6.651-505.0	Pilot lamp	1	ST	
25	6.984-610.0	Circuit board control system HD-ST	1	ST	
28	7.303-106.0	Screw 4x12 -10.9-R2R (IN6RD)	7	ST	
29	7.312-281.0	Washer 4 -200HV-A2E ISO7093-1	2	ST	
30	6.643-336.0	Strip terminal	2	ST	VERSION 1
30	6.643-471.0	Strip terminal with fuse	2	ST	VERSION 2
31	6.644-070.0	Fuse insert medium time-lag G-5,0A	2	ST	
32	6.650-139.0	Cable harness HD-ST EU II	1	ST	
35	6.649-441.0	Cable without plug	1	ST	
36	7.312-098.0	Washer 27 -PA6.6-Natur ISO 7089	1	ST	
37	6.303-245.0	Cylinder head screw 3X18-ST-A2E	1	ST	VERSION 1
37	7.306-045.0	Screw M2x20 -4.8-A2K DIN 84	1	ST	VERSION 2
41	7.303-119.0	Countersunk screw 3x10 -10.9-R2R (In6Rd)	1	ST	VERSION 2
42	5.013-470.0	Plate clamp	1	ST	VERSION 2

40 Triple jet nozzle TR 040 (4.117-033.0)

POS	Description	Quantity	Unit
1	Triple jet nozzle TR 040	1	ST

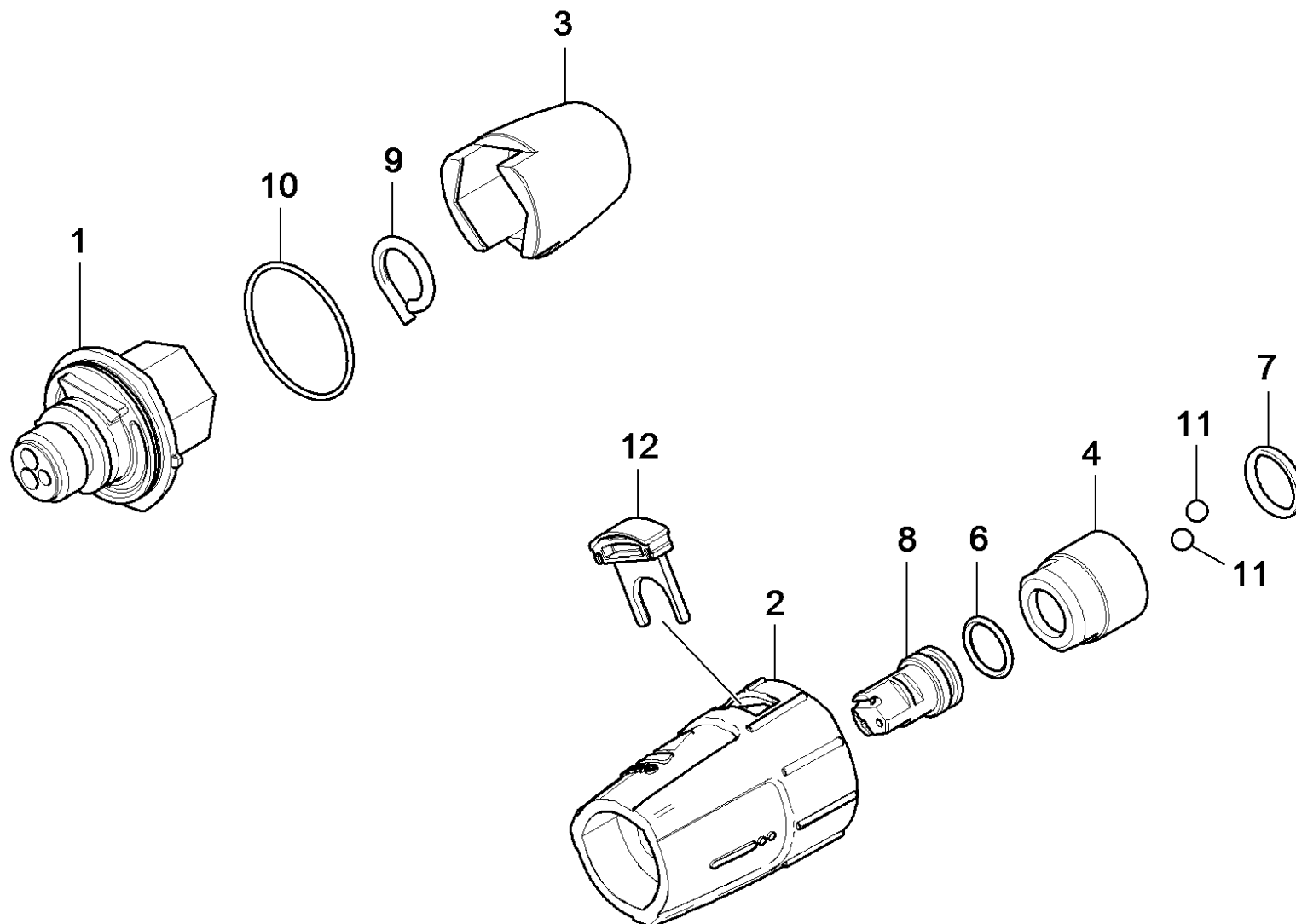


1 Triple jet nozzle TR 040

POS	Article no.	Description	Quantity	Unit
2	5.394-859.0	Protection part	1	ST
4	5.311-225.0	Nut	1	ST
6	6.362-480.0	O-Ring seal 12,42x 1,78	1	ST
7	6.362-460.0	O-Ring seal 14,0 X 2,5-NBR 70	1	ST
10	6.362-409.0	O-Ring seal 32,0 X 1,5	1	ST
11	7.401-902.0	Sphere 5 G20 -1.4034 DIN 5401	2	ST
12	5.321-884.0	Clamp	1	ST
15	6.363-696.0	Brake ring 14x20x3	1	ST

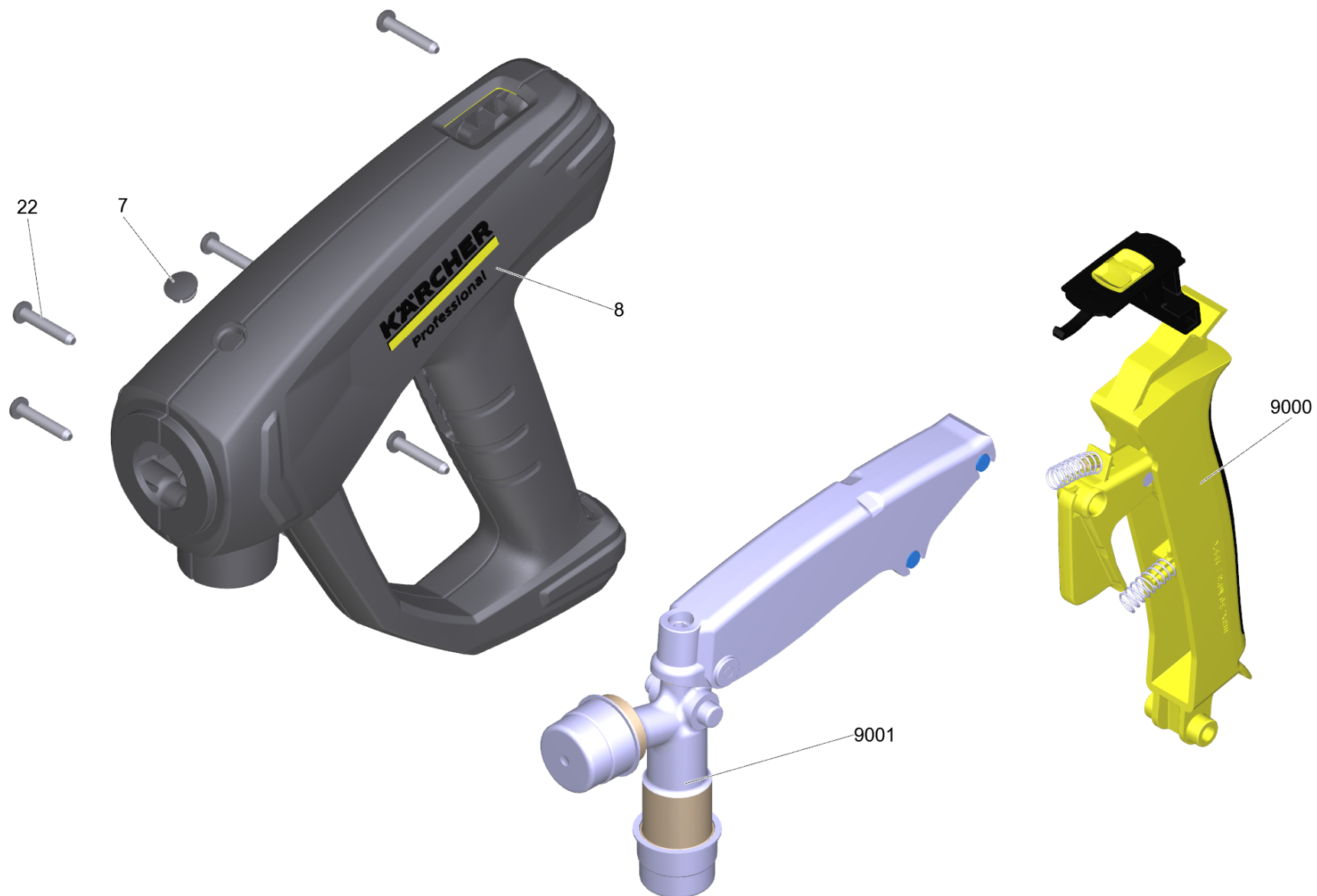
40 Triple jet nozzle only for replacement 0 (4.767-150.0)

POS	Article no.	Description	Quantity	Unit
1	4.767-136.0	Triple jet nozzle 040	1	ST



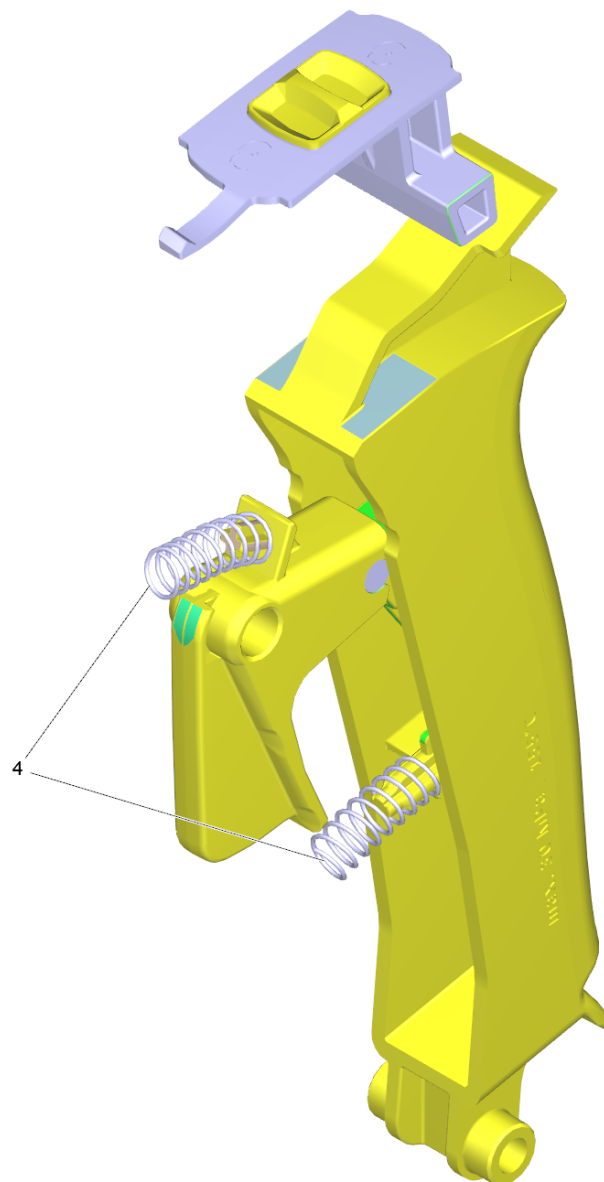
1 Triple jet nozzle 040 (4.767-136.0)

POS	Article no.	Description	Quantity	Unit
2	5.394-859.0	Protection part	1	ST
3	5.394-530.0	Protection part complete	1	ST
4	5.311-225.0	Nut	1	ST
6	6.362-480.0	O-Ring seal 12,42x 1,78	1	ST
7	6.362-460.0	O-Ring seal 14,0 X 2,5-NBR 70	1	ST
8	5.415-603.0	Triple jet nozzle 040	1	ST
9	6.343-150.0	Pin 03	1	ST
10	6.362-409.0	O-Ring seal 32,0 X 1,5	1	ST
11	7.401-902.0	Sphere 5 G20 -1.4034 DIN 5401	2	ST
12	5.321-884.0	Clamp	1	ST



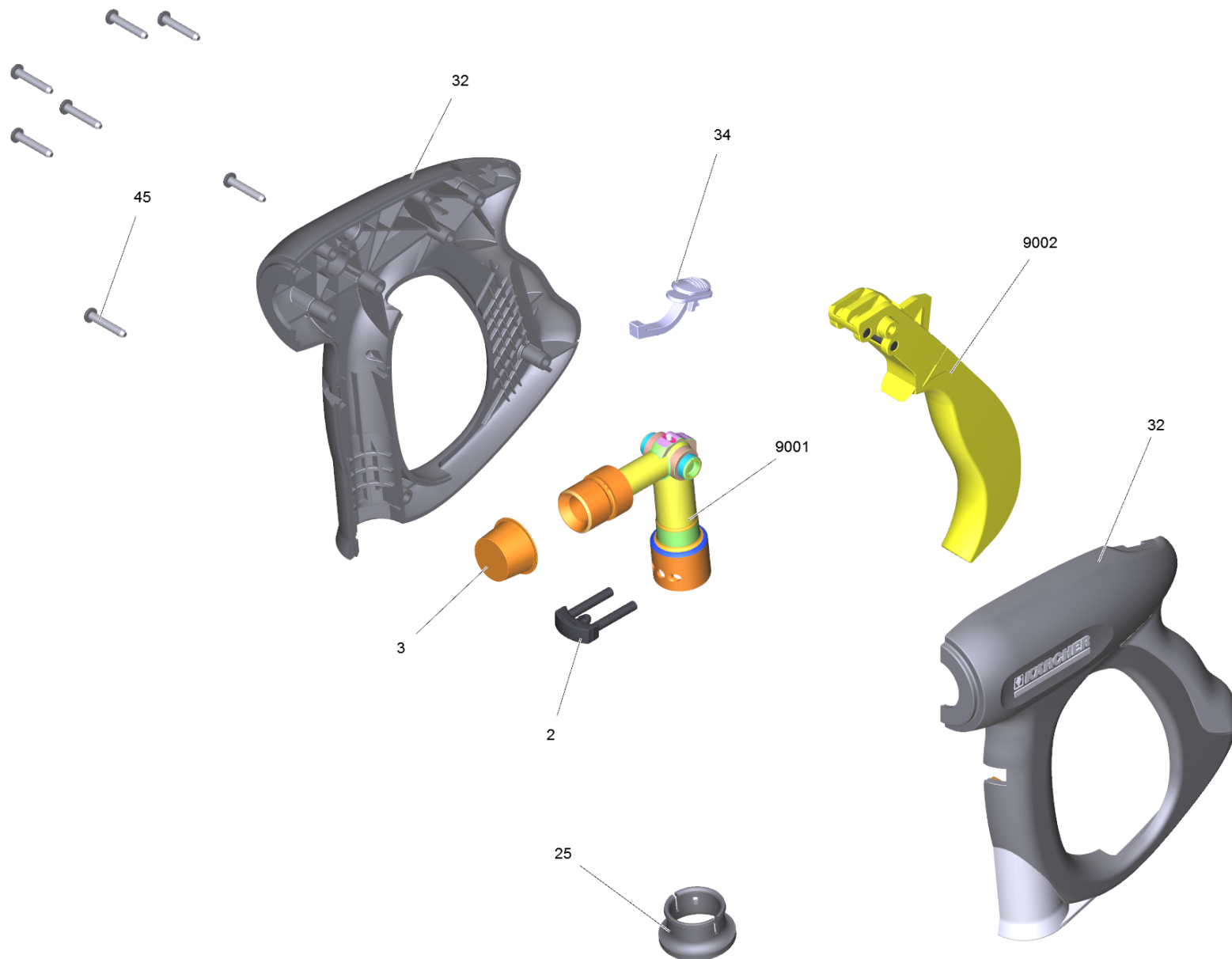
41 EASY!Force Advanced (4.118-005.0)

POS	Article no.	Description	Quantity	Unit
7	5.132-001.0	Plug	1	ST
8	5.321-136.3	Handhold few EH 155 only for replacement	1	ST
22	7.303-096.0	Screw 4x22 -ST-10.9-R2R (IN6RD)	7	ST
9000	2.885-483.0	Spare part set lever	1	ST
9001	4.427-014.0	Manifold TR EH 155 nur fuer Ersatz	1	ST



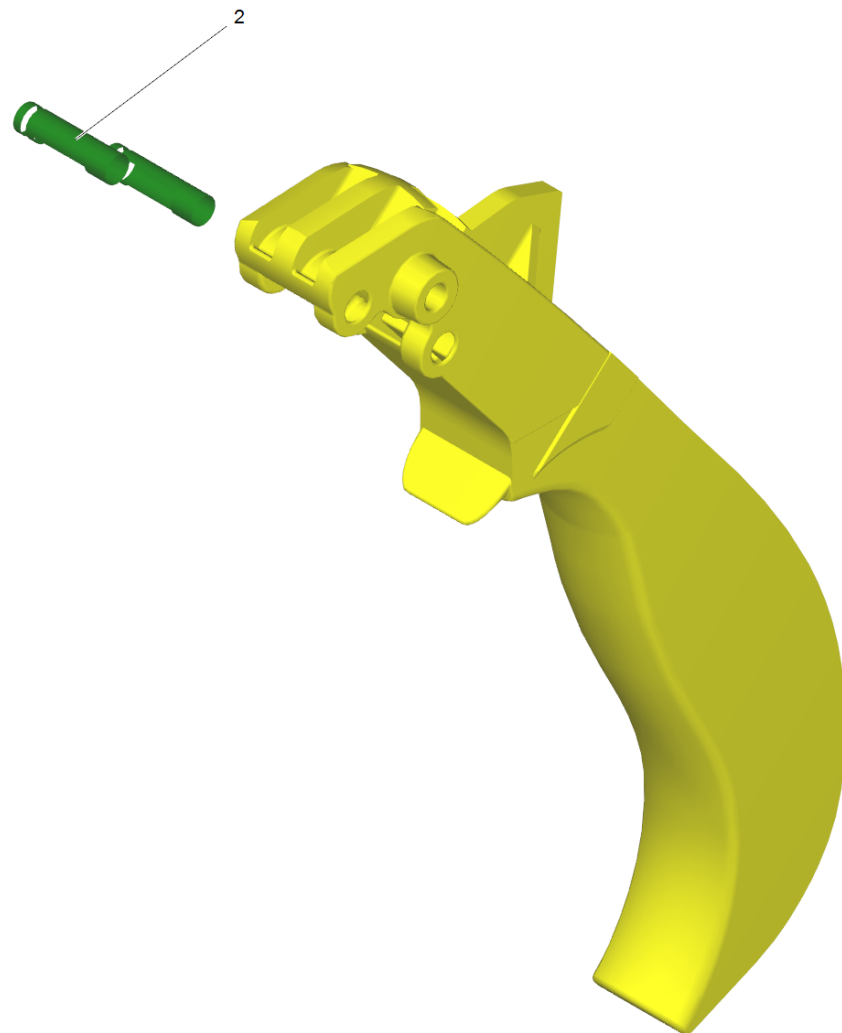
9000 Spare part set lever (2.885-483.0)

POS	Article no.	Description	Quantity	Unit
4	5.332-178.0	Helical spring	2	ST



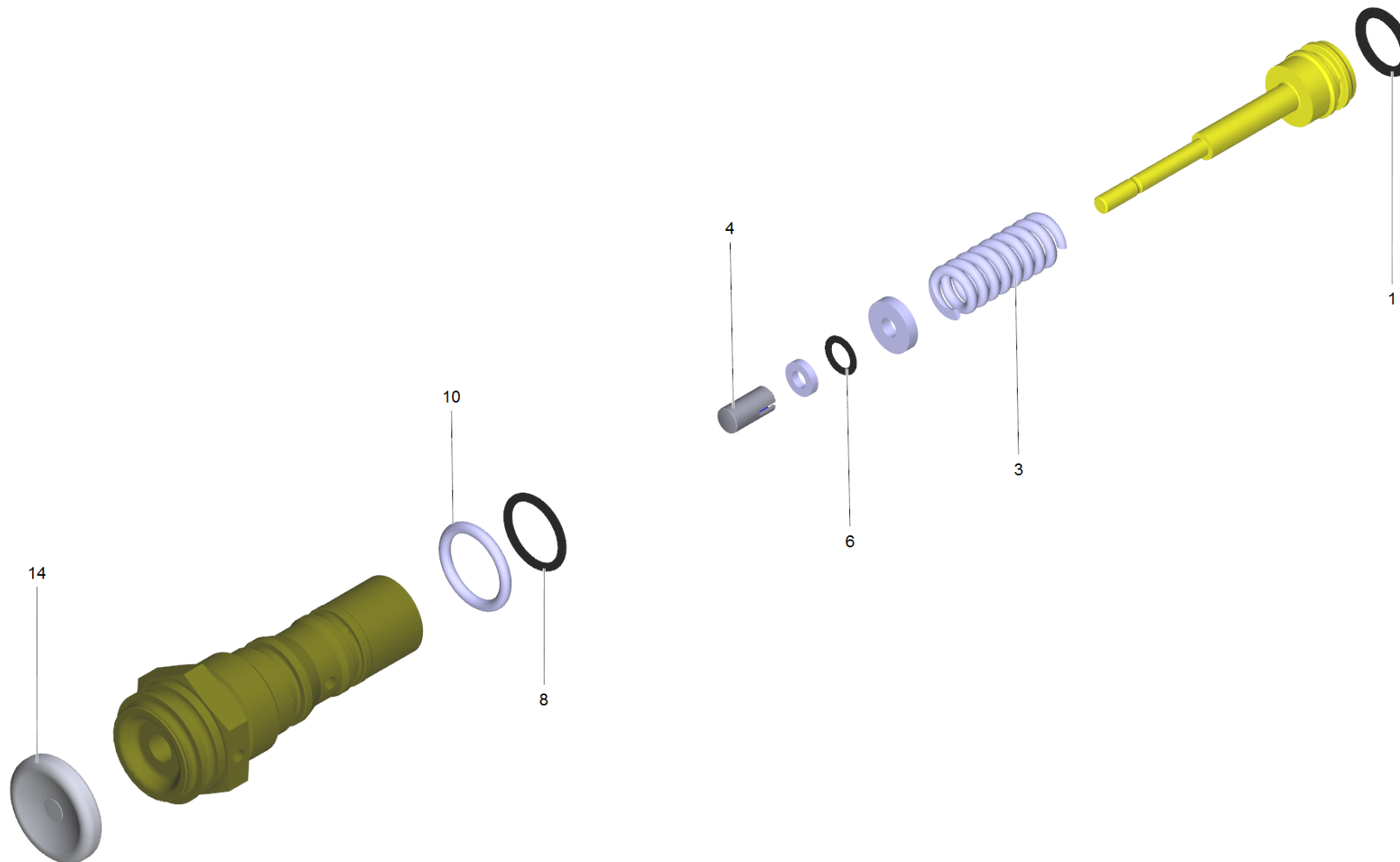
41 HAND TRIGGER GUN EASY PRESS (4.775-463.0)

POS	Article no.	Description	Quantity	Unit
2	4.037-013.0	Hook	1	ST
3	6.368-012.0	Protecting cap 22X1,5	1	ST
4	6.869-075.0	Metal bonding agent 1,5 ml	1	ST
cart_info_txt: This material is not available due to hazardous good regulation. Please procure this or a similar material from a local supplier of your choice.				
25	5.110-596.0	Sleeve	1	ST
32	5.321-669.3	Handhold few	1	ST
34	5.481-331.0	Slider	1	ST
45	7.303-096.0	Screw 4x22 -ST-10.9-R2R (IN6RD)	7	ST
1041	6.288-044.0	Silicon grease 100 G	1	ST
9001	4.427-215.0	Manifold complete only for replacement	1	ST
9002	4.481-209.0	Lever complete	1	ST



9002 Lever complete (4.481-209.0)

POS	Article no.	Description	Quantity	Unit
2	5.314-119.0	Pin	2	ST

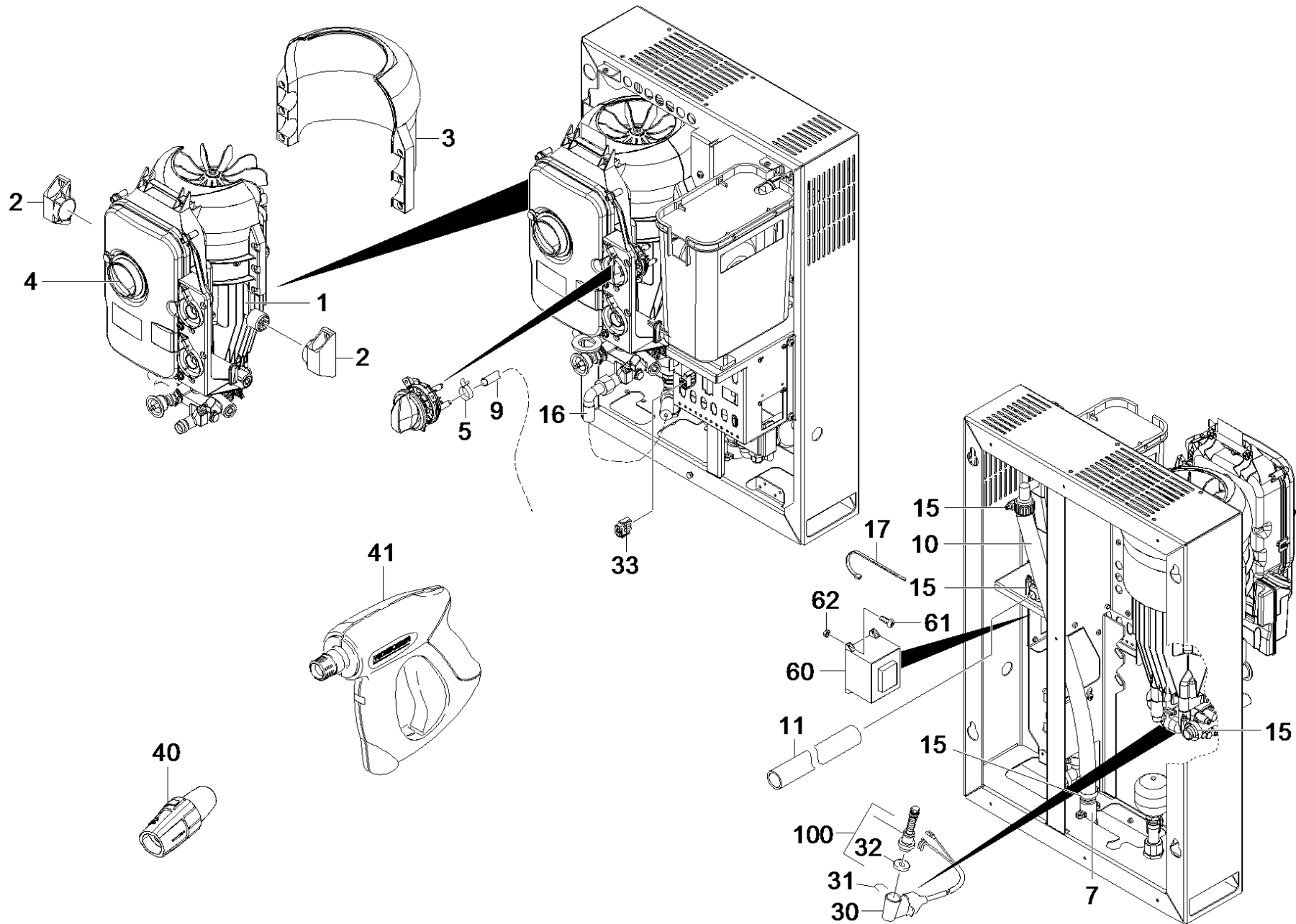


100 Spare part set control piston (2.885-226.0)

POS	Article no.	Description	Quantity	Unit
1	6.363-350.0	O-Ring seal 8.74x1.78	1	ST
3	5.332-511.0	Helical spring	1	ST
4	5.110-947.0	Sleeve	1	ST
6	6.363-330.0	O-Ring seal 2,9 x 1,78	1	ST
8	6.363-452.0	O-Ring seal 11 x 1,5	1	ST
10	6.363-519.0	O-Ring seal 12,00x 2,00	1	ST
14	5.367-030.0	Diaphragm	1	ST

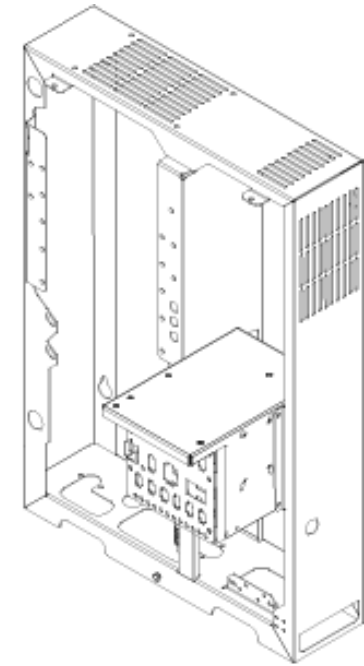
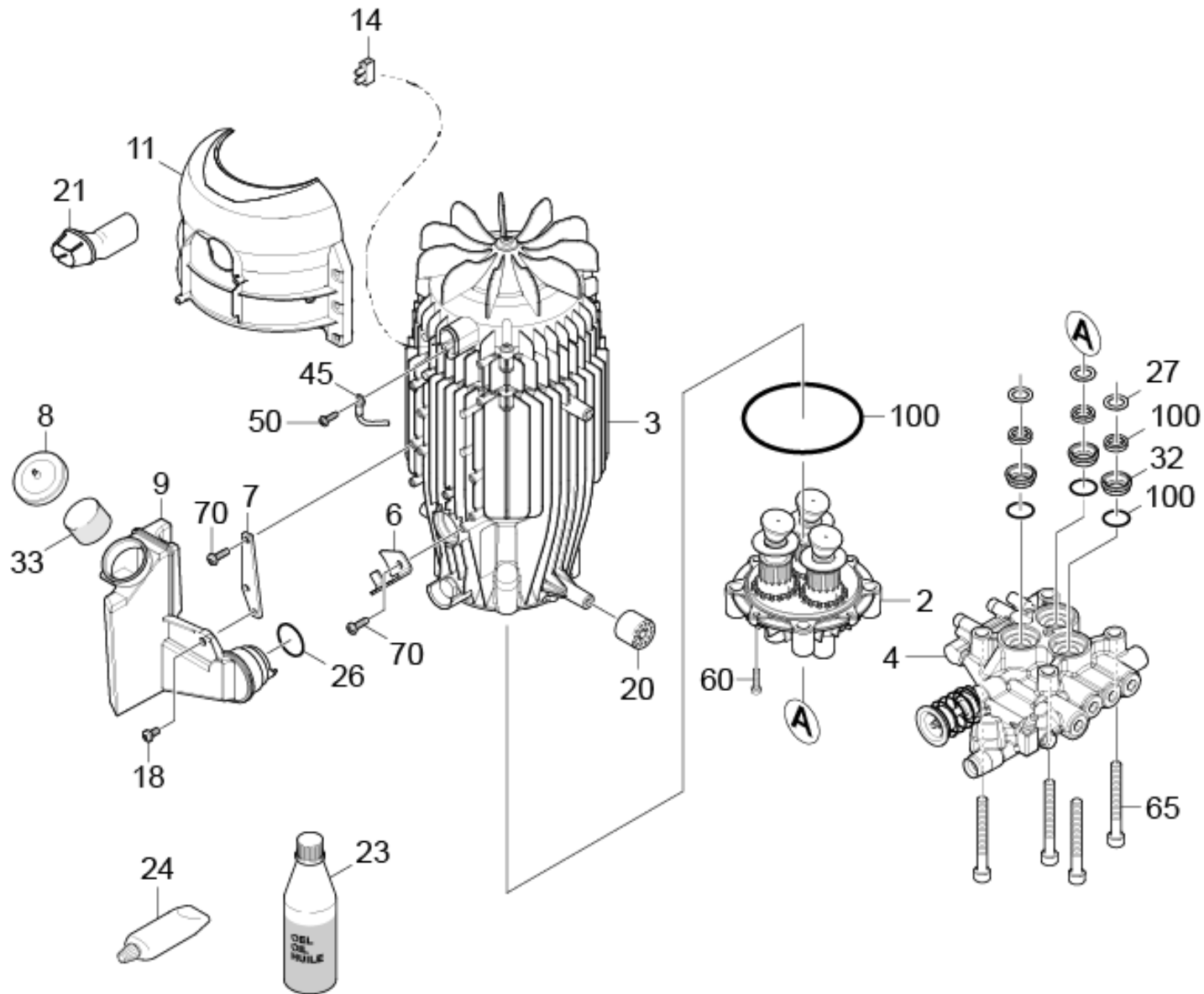
34 Pump set complete HD 9/18-4 ST 220-240V 60Hz

POS	Article no.	Description	Quantity	Unit
1000	2.532-026.3	Spare parts list pump set complete HD 9/	1	ST



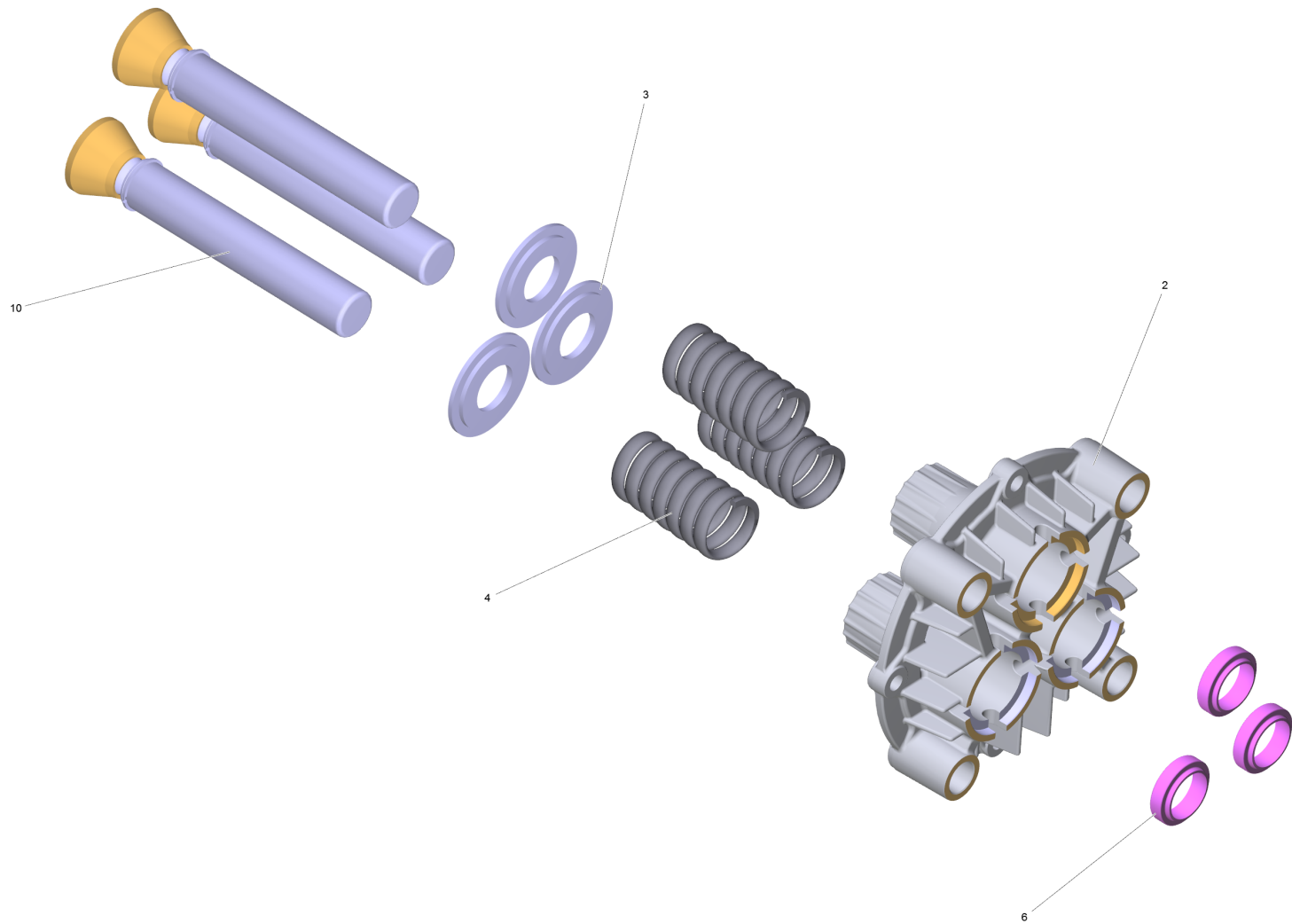
1000 Spare parts list pump set complete HD 9/ (2.532-026.3)

POS	Article no.	Description	Quantity	Unit	Remark
1		Pump set HD 9/18-4 ST 60Hz	1	ST	
2	5.044-998.0	Holder	2	ST	
3	2.885-228.0	Spare part set air circulation	1	ST	
4		Electric control box HD-ST 230V	1	ST	
5	6.390-133.0	Hose clip	2	ST	
6	7.306-190.0	Screw M6x8 -A2-70 (In6Rd)	2	ST	
7	5.427-432.0	Manifold	1	ST	
8	7.312-026.0	Washer 6 -A2 ISO 7089	2	ST	
9	6.388-247.0	Hose DN8 -PVC	1	M	
10	6.388-719.0	Hose DN17	1	M	
11	5.443-628.0	Hose	1	ST	
15	7.373-022.0	Hose clip A-16-27x9 -W2-2 DIN3017	4	ST	
16	6.392-198.0	Hose assembly DN8 40MPa 0,46m	1	ST	
17	6.641-465.0	Cable tape	1	ST	
30	4.744-242.0	Switch kpl. -nur für Ersatz-	1	ST	
31	5.034-494.0	Retaining bracket	1	ST	
32	5.367-030.0	Diaphragm	1	ST	
33	6.649-887.0	Plug triple dummy plug	1	ST	
40	4.117-039.0	Triple jet nozzle TR 055	1	ST	1.524-950.2
40	4.767-066.0	Triple jet nozzle 055	1	ST	1.524-500.2
41	4.118-005.0	EASY!Force Advanced	1	ST	1.524-950.2
41	4.775-463.0	HAND TRIGGER GUN EASY PRESS	1	ST	1.524-500.2
60	6.622-336.0	Control transformer 96VA - EI78/40,5 230	1	ST	
61	7.306-058.0	Screw M 4X 12- 8.8-R2R K-IN6RD	4	ST	
62	7.311-569.0	Square nut M4 -04-A2E DIN 562	4	ST	
100	2.885-226.0	Spare part set control piston	1	ST	



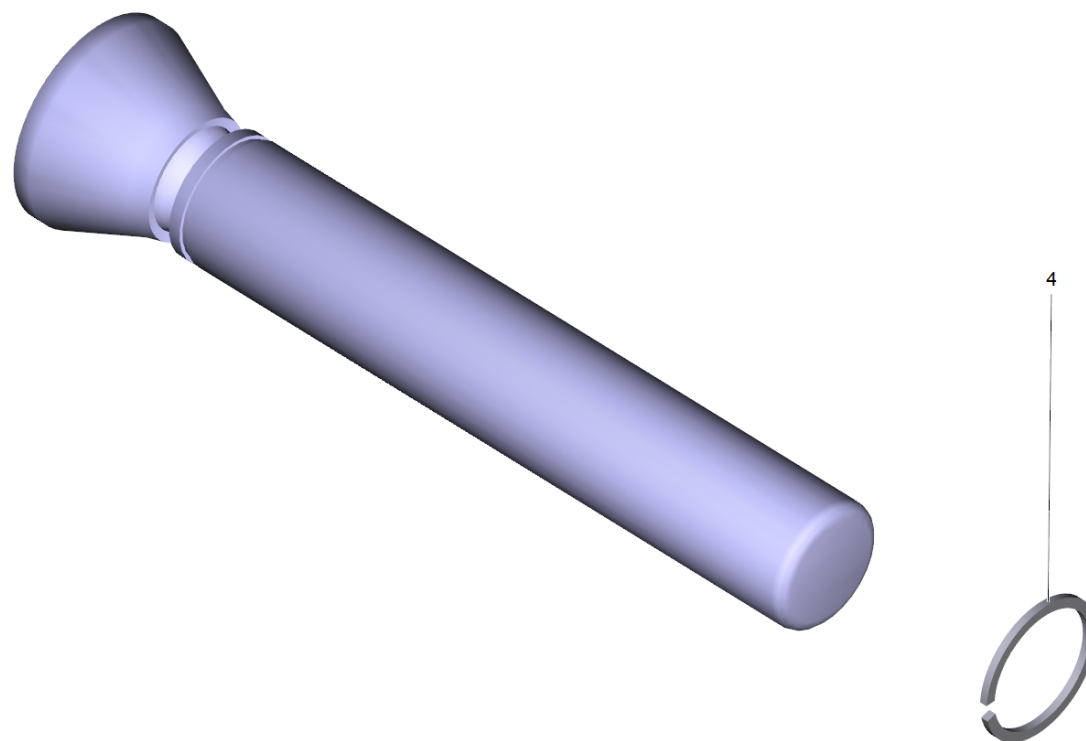
1 Pump set HD 9/18-4 ST 60Hz

POS	Article no.	Description	Quantity	Unit
2		Thrust guidance complete	1	ST
3	4.624-222.0	Motor complete only for replacement	1	ST
4		Cylinder head complete HD 9/18-4 ST	1	ST
6	5.011-428.0	Plate bracket	1	ST
7	5.044-918.0	Retaining plate box oil	1	ST
8	5.064-457.0	Cover plate qusty grey oil	1	ST
9	5.070-658.0	Tank oil	1	ST
11	2.885-228.0	Spare part set air circulation	1	ST
14	6.643-151.0	Strip terminal one-pole 16mm ²	1	ZST
18	7.306-180.0	Screw M5x10-A2-70 (In6Rd)	1	ST
20	5.767-005.0	Rubber buffer	4	ST
21	5.365-341.0	Profile gasket long	1	ST
23	6.288-016.0	Gear oil 1L	1	ST
24		Silicon grease	0,005	ZST
26	6.362-722.0	O-Ring seal 28,0 X 3,0	1	ST
27	5.115-255.0	Washer	3	ST
32	5.112-866.0	Bush	3	ST
33	5.132-187.0	Plug	1	ST
45	4.820-578.0	Cable green/yellow 1,5mm ² x450mm	1	ST
50	7.303-031.0	Screw M4x10 -St-P2R (In6Rd)	1	ST
60	7.306-105.0	Screw M6x30 -8.8-R3R (In6Rd)	2	ST
65	7.306-155.0	Cylinder head screw M12x100 -8.8-A3E IS	4	ST
70	7.303-039.0	Screw M5x16 -St-P2R (In6Rd)	3	ST
100	2.885-318.0	Pump set HD 9/18 ST-H	1	ST



2 Thrust guidance complete

POS	Article no.	Description	Quantity	Unit
2	5.061-185.3	Thrust guidance	1	ST
3	5.116-310.0	Washer	3	ST
4	5.332-550.0	Helical spring	3	ST
5	6.288-016.0	Gear oil 1L	1	ST
6	6.365-052.0	Grooved ring 20X28X6/8	3	ST
10	4.553-279.0	Piston complete	3	ST

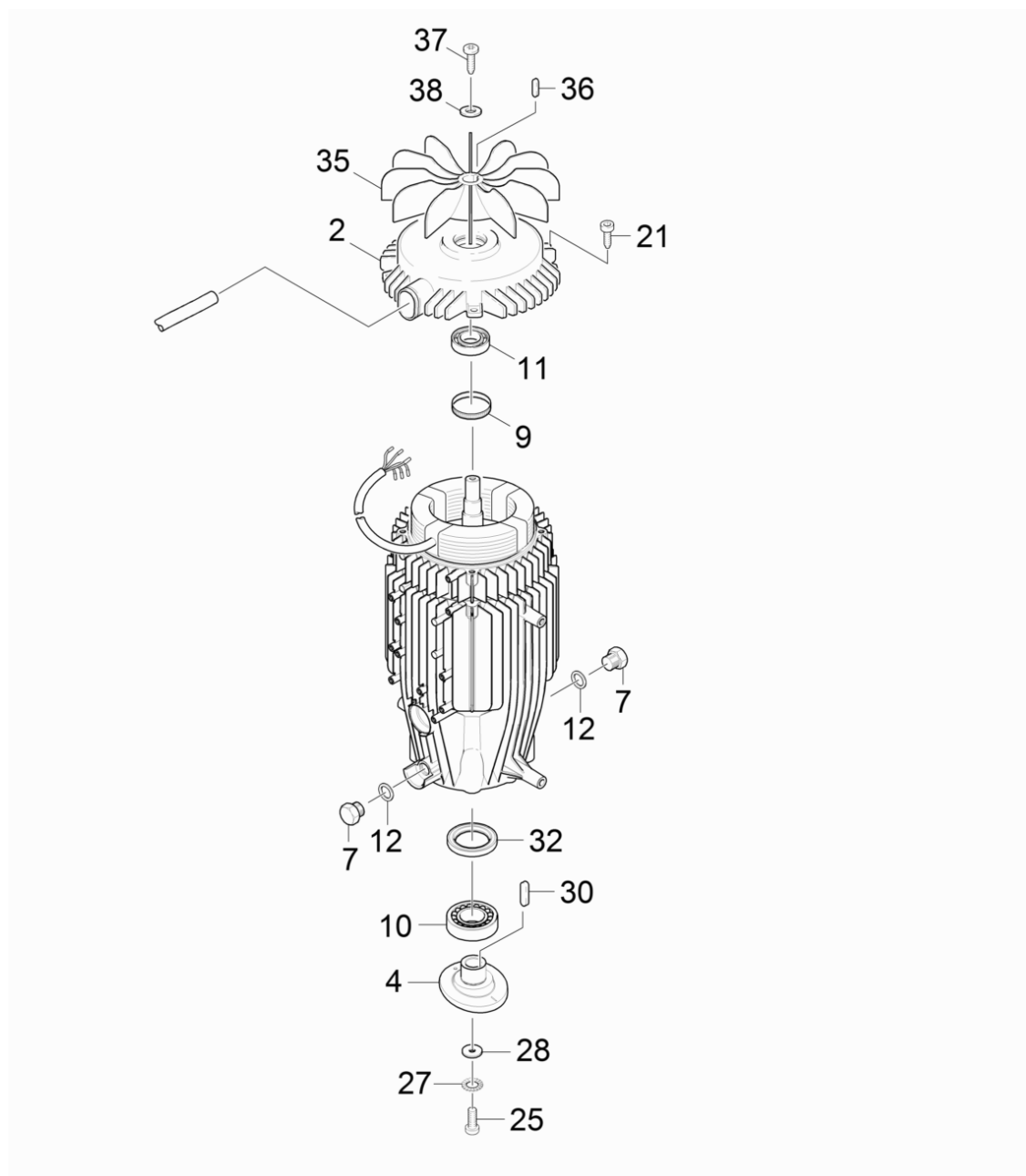


10 Piston complete (4.553-279.0)

POS	Article no.	Description	Quantity	Unit
4	6.472-331.0	Snap ring 20	1	ST

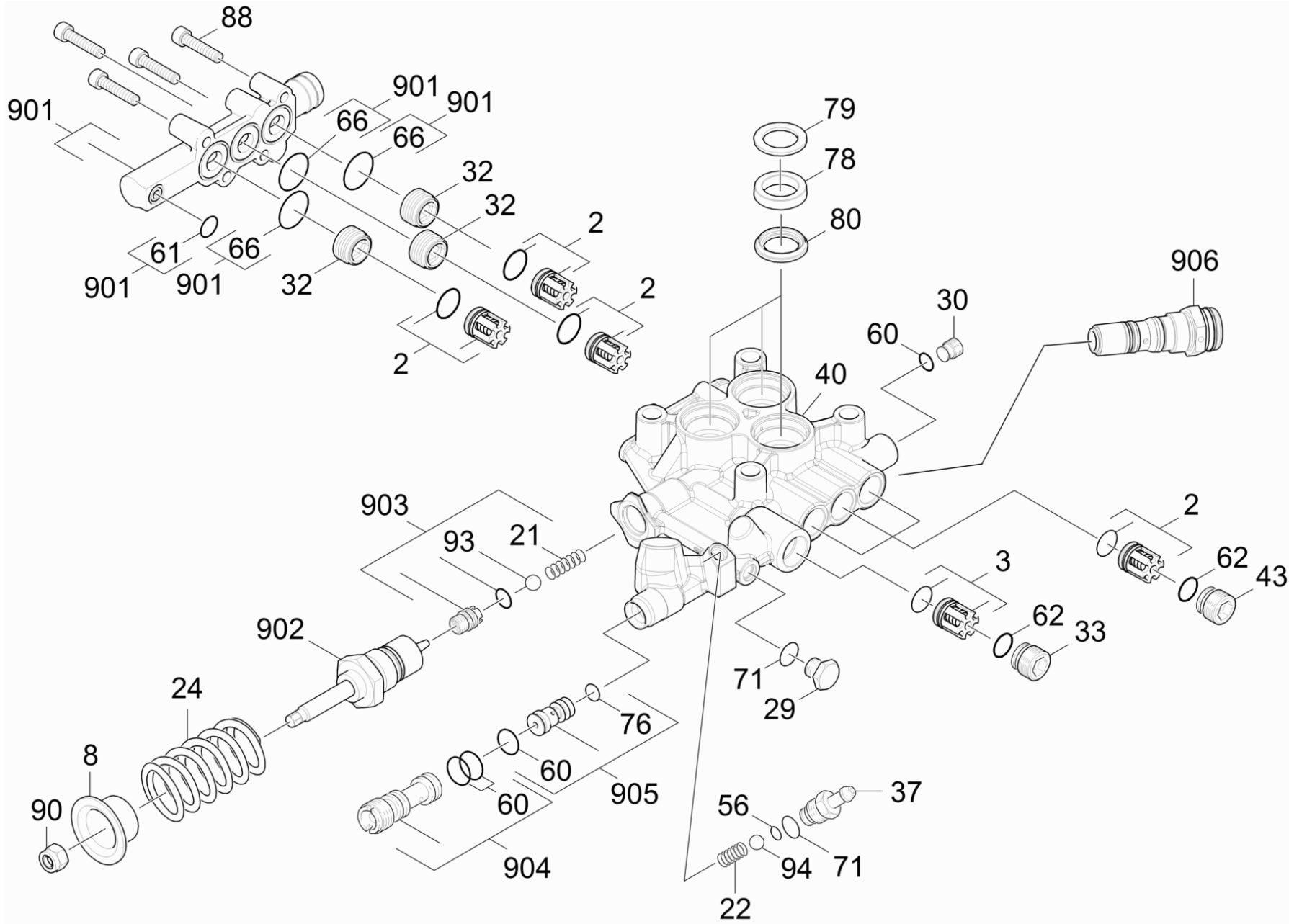
3 Motor complete only for replacement (4.624-222.0)

POS	Description	Quantity	Unit
1	Motor complete HD 9/18-4ST 60Hz	1	ST



1 Motor complete HD 9/18-4ST 60Hz

POS	Article no.	Description	Quantity	Unit
2	5.063-707.0	Bearing cover B	1	ST
4	4.120-266.0	Wobble plate only for replacement	1	ST
7	5.411-100.0	Screw plug	2	ST
9	6.343-171.0	Tolerance ring	1	ST
10	6.401-405.0	Taper roller bearing	1	ST
11	6.401-285.0	Ball bearing 6204 2RS	1	ST
12	6.363-498.0	O-Ring seal 11,0x2,0 HNBR	2	ST
21	7.303-048.0	Screw M6x20 -St-R3R (In6Rd)	4	ST
25	7.306-041.0	Cylinder head screw M8x20 -8.8-A2E ISO	1	ST
27	7.312-159.0	Toothed lock washer A8,4-FST-PH DIN 679	1	ST
28	5.115-565.0	Washer	1	ST
30	7.318-030.0	Parallel key 6x6x25 -C45K DIN 6885-1	1	ST
32	7.367-012.0	Radial shaft seal ring A35x52x7 -FKM DIN	1	ST
35	5.600-046.0	Blower wheel	1	ST
36	7.318-079.0	Parallel key A 5x5x25-C45K DIN 6885	1	ST
37	7.312-260.0	Washer 6 -100HV-A3E ISO 7094	1	ST
38	7.306-092.0	Screw M6x20-ST- 8.8-R3R (IN6RD)	1	ST

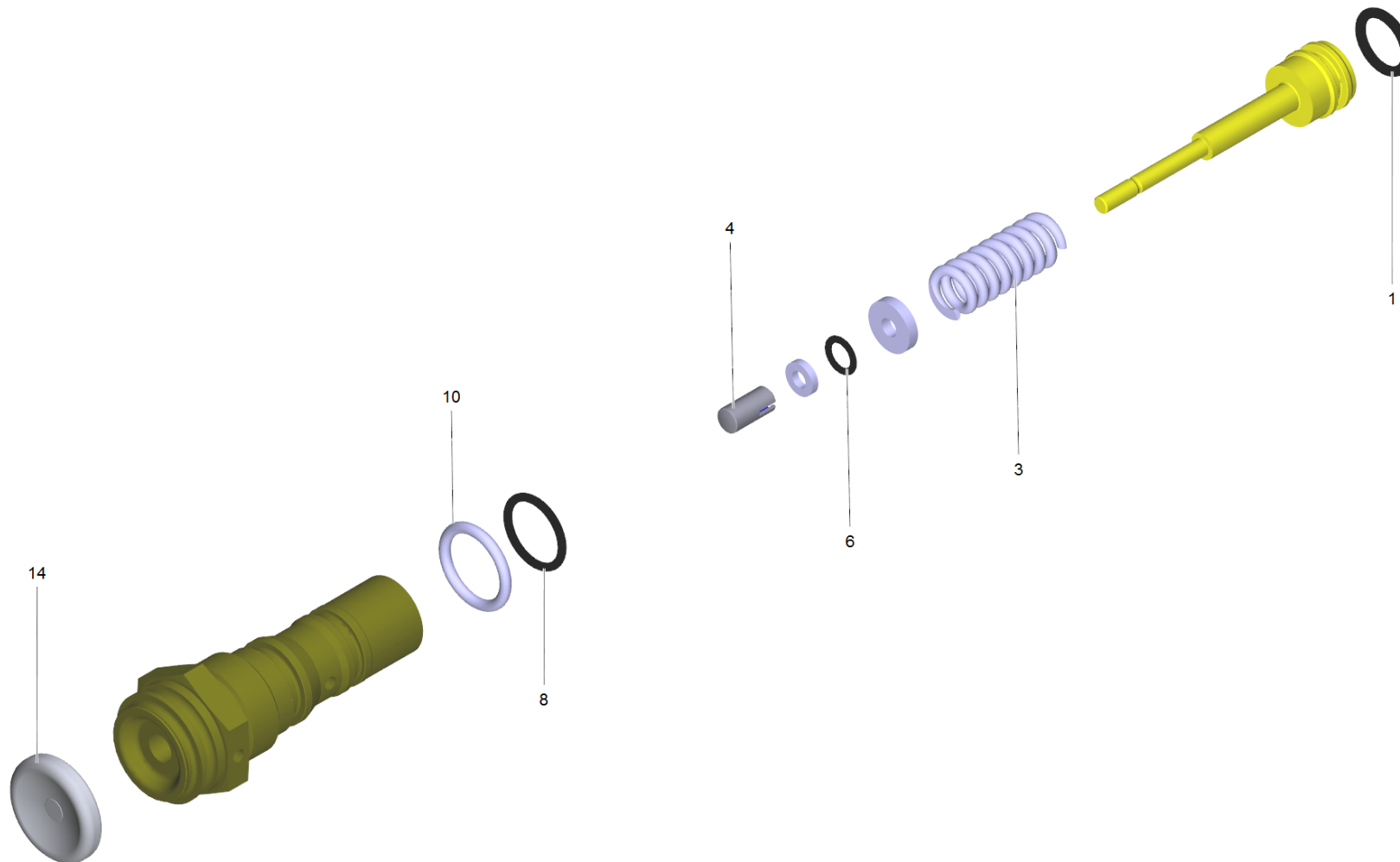


4 Cylinder head complete HD 9/18-4 ST

POS	Article no.	Description	Quantity	Unit
2		Part at pump set	1	ST
3		Part at pump set	1	ST
8	5.112-757.0	Bush	1	ST
21	5.332-999.0	Helical spring	1	ST
22	5.332-258.0	Helical spring	1	ST
24	5.332-530.0	Helical spring	1	ST
25		Silicon grease	0,005	ZST
29	5.411-070.0	Screw plug	1	ST
30	5.411-152.0	Screw plug	1	ST
32	5.583-177.0	Valve screw M20x1	3	ST
33	5.411-166.0	CLOSING SCREW	1	ST
37	5.443-370.0	Nipple	1	ST
40	4.550-977.0	Spare part set cylinder head	1	ST
43	5.583-146.3	Valve screw	3	ST
56	6.363-597.0	O-Ring seal 5,28 x 1,78	1	ST
58	6.362-445.0	O-Ring seal 16,0 X 2,4-NBR 80	1	ST
60	6.362-384.0	O-Ring seal 9x1,5 - NBR 70	4	ST
61		Part at pump set	1	ST
62		Part at pump set	1	ST
66		Part at pump set	1	ST
71		Part at pump set	1	ST
76	6.363-282.0	O-Ring seal 6,3x2,4-NBR 70	1	ST
78		Part at pump set	1	ST
79	6.365-379.0	Supportring	3	ST
80	6.365-378.0	Supportring 20x30x4,2	3	ST
88	7.306-019.0	Cylinder head screw M8x35 -A4-70 ISO 47	4	ST
90	7.311-510.0	Hexagon nut M 8-8-A2E ISO 7040	1	ST
93	7.401-907.0	Sphere 3/8 G200-1.4301 DIN 5401	1	ST
94	7.401-908.0	Sphere 7 G300 -1.4301 DIN 5401	1	ST
901	4.064-024.0	Suction cover complete only for replacem	1	ST
902	2.885-227.0	Spare part set overflow valve	1	ST
903	4.481-256.0	Valve seat complete	1	ST
904	4.769-054.0	Nozzle insert kpl.	1	ST

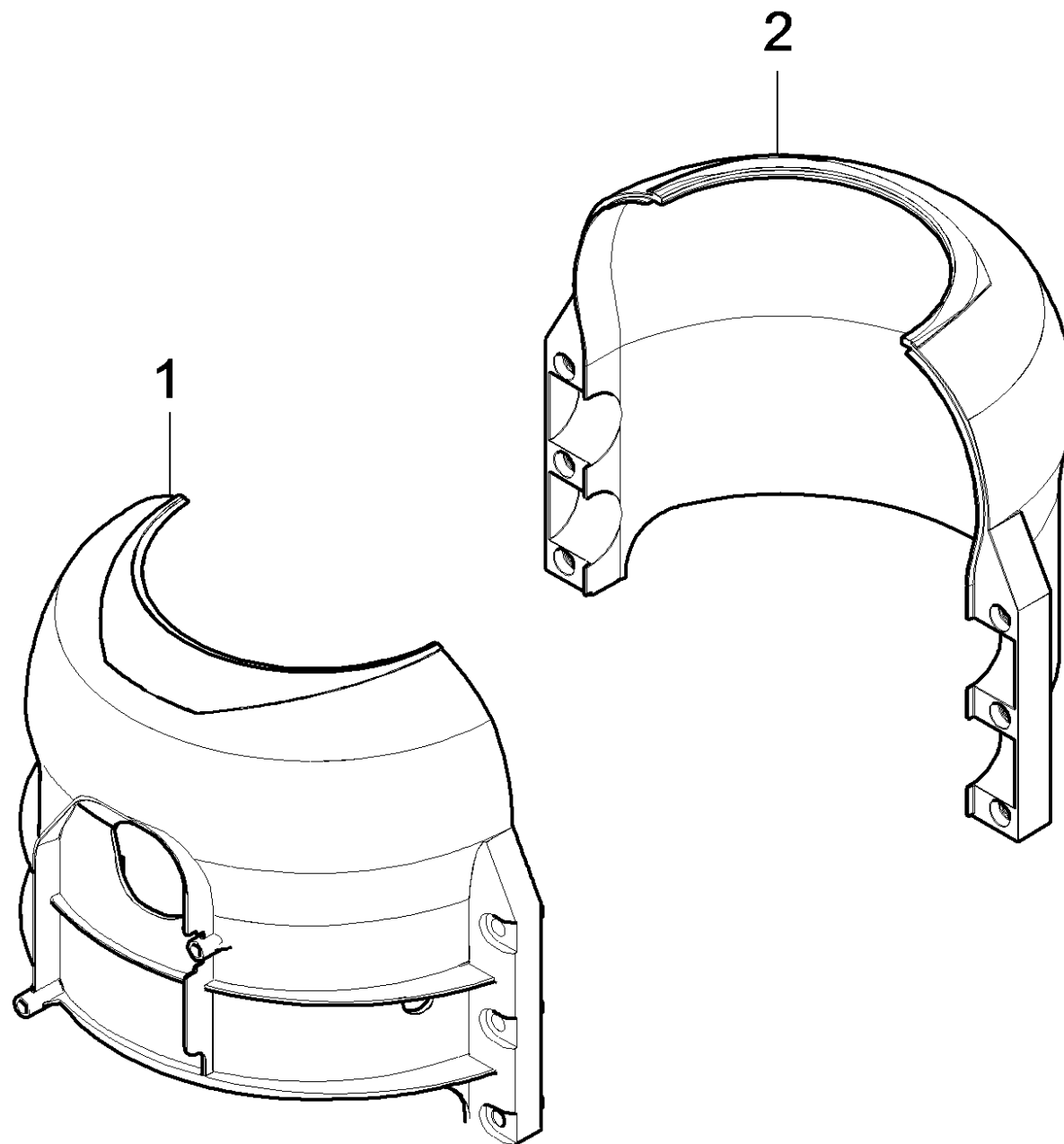
4 Cylinder head complete HD 9/18-4 ST

POS	Article no.	Description	Quantity	Unit
905	2.885-230.0	Spare part set nozzle insert only for re	1	ST
906	2.885-226.0	Spare part set control piston	1	ST



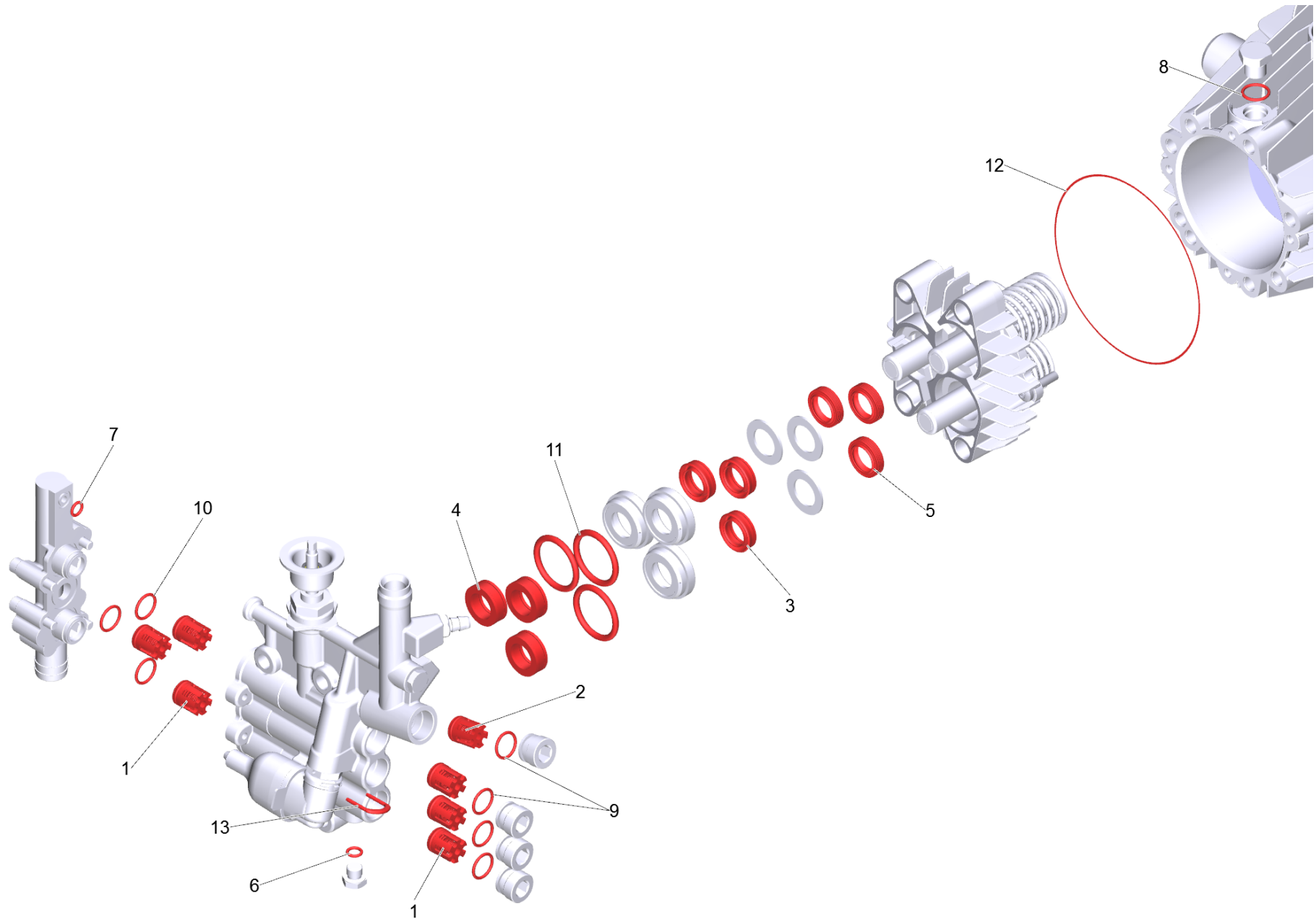
906 Spare part set control piston (2.885-226.0)

POS	Article no.	Description	Quantity	Unit
1	6.363-350.0	O-Ring seal 8.74x1.78	1	ST
3	5.332-511.0	Helical spring	1	ST
4	5.110-947.0	Sleeve	1	ST
6	6.363-330.0	O-Ring seal 2,9 x 1,78	1	ST
8	6.363-452.0	O-Ring seal 11 x 1,5	1	ST
10	6.363-519.0	O-Ring seal 12,00x 2,00	1	ST
14	5.367-030.0	Diaphragm	1	ST



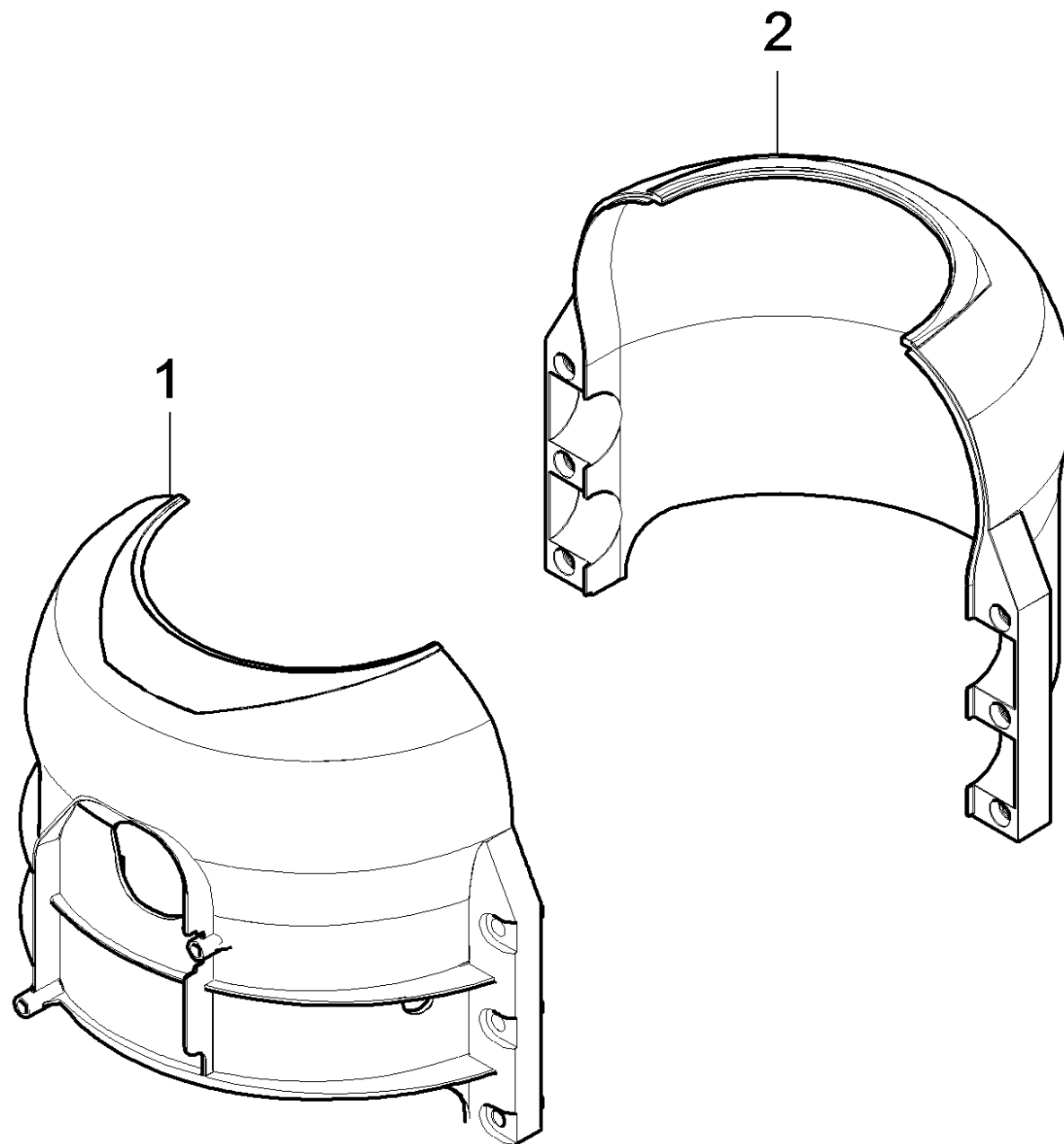
11 Spare part set air circulation (2.885-228.0)

POS	Description	Quantity	Unit
1	Air circulation front	1	ST
2	Air circulation rear	1	ST



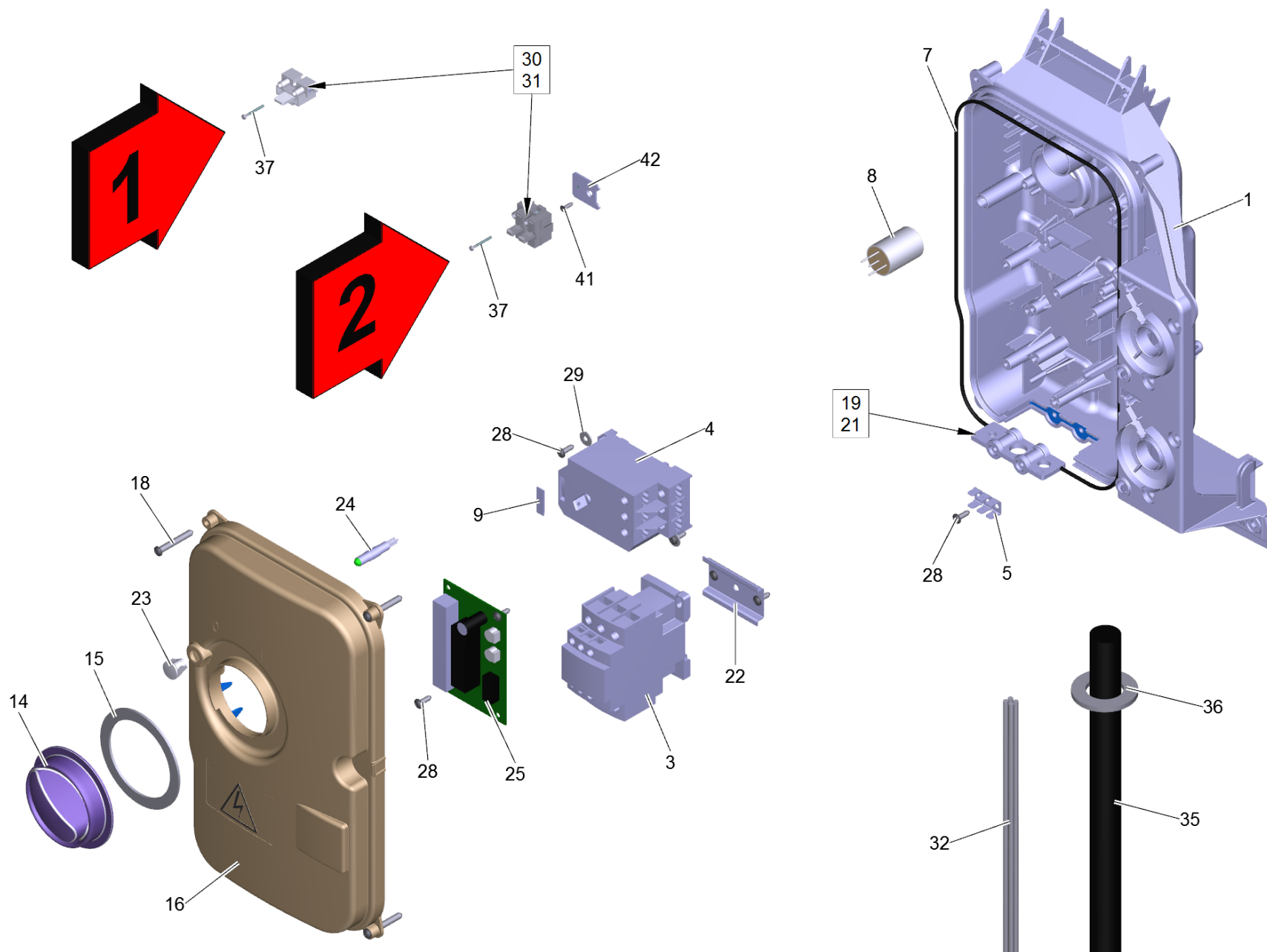
100 Pump set HD 9/18 ST-H (2.885-318.0)

POS	Article no.	Description	Quantity	Unit
1	2.885-139.0	Valve (3Stueck)	2	ST
2	4.580-734.0	Valve complete	1	ST
3	2.885-431.0	Set of gaskets ND PTFE 3x	1	ST
4	2.885-235.0	Set of gaskets high pressure W1 (3 Stuec	1	ST
5	6.365-436.0	Grooved ring 20X28X7/6	3	ST
6	6.363-496.0	O-Ring seal 7,0x2,0	3	ST
7	6.363-492.0	O-Ring seal 8,0x1,5	1	ST
8	6.363-498.0	O-Ring seal 11,0x2,0 HNBR	1	ST
9	6.363-459.0	O-Ring seal 14 x 2	4	ST
10	6.363-494.0	O-Ring seal 20,0x1,5	3	ST
11	6.363-548.0	O-Ring seal 32,0 x 2,0	3	ST
12	6.363-501.0	O-Ring seal 101,27x2,62 HNBR	1	ST
13	5.034-494.0	Retaining bracket	1	ST
14	6.288-072.0	Silicon grease	1	ST



3 Spare part set air circulation (2.885-228.0)

POS	Description	Quantity	Unit
1	Air circulation front	1	ST
2	Air circulation rear	1	ST

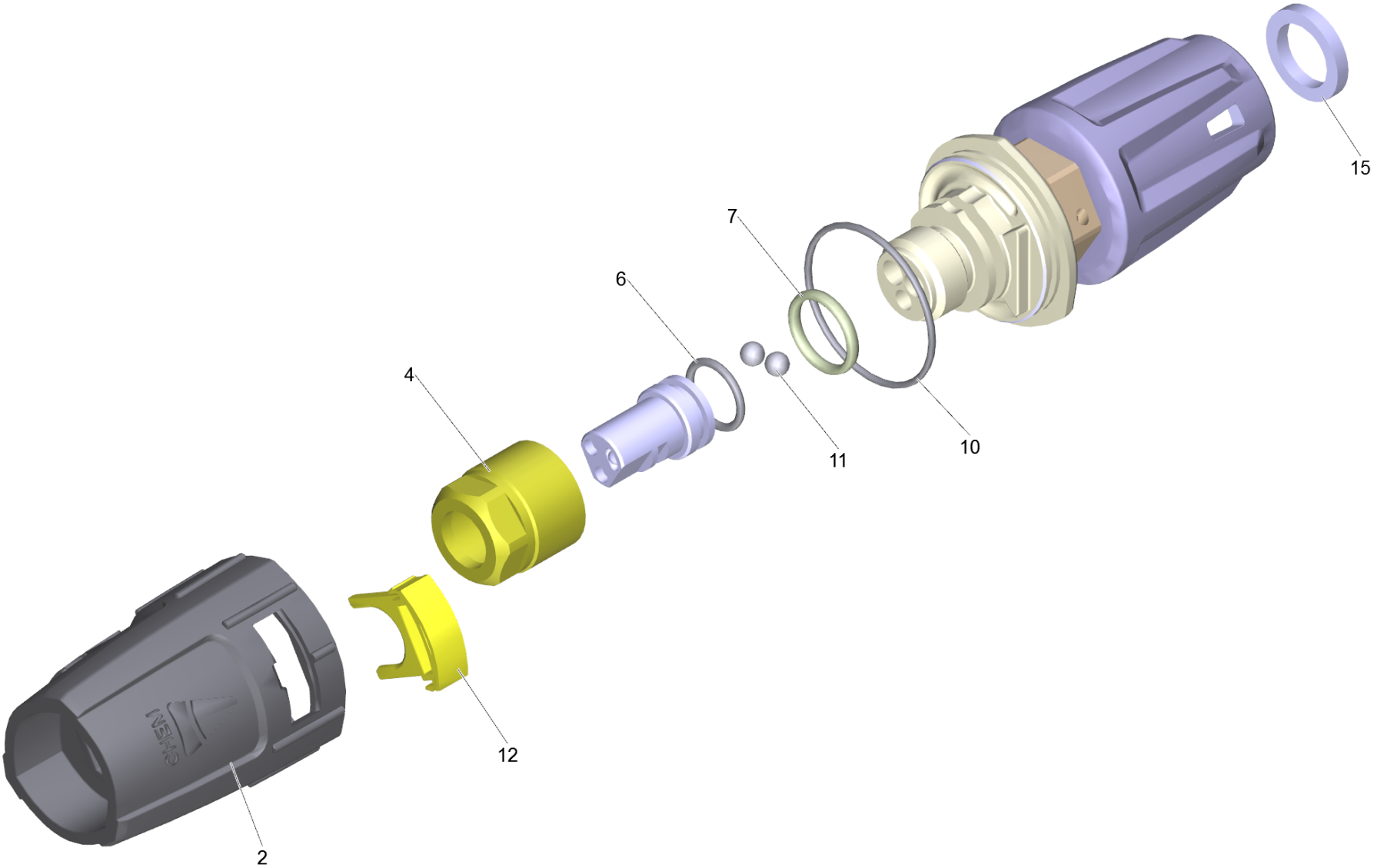


4 Electric control box HD-ST 230V

POS	Article no.	Description	Quantity	Unit	Foot note text
1	5.062-336.0	Housing electric control box	1	ST	
3	6.632-334.0	Power contactor LC1 D32 B7	1	ST	
4	6.631-428.0	Motor protecting switch -22-27A	1	ST	
5	6.641-270.0	Plug	1	ST	
7	6.273-037.0	Seal string cellular rubber 3	0,8	M	
8	6.661-302.0	Interference suppressor triple-pole	1	ST	
9	6.630-049.0	Cap	1	ST	
14	5.321-692.0	Handle	1	ST	
15	5.363-616.0	Joint ring	1	ST	
16	5.064-413.0	Cover electric control box	1	ST	
18	7.303-085.0	Screw 4x 35 -10.9-R2R (K-In6Rd)	4	ST	
19		Tensioning part 13/14/7	2	ST	
21		Sheet metal screw ST3,9x45 -St-A2K-C-H I	2	ST	
22	5.802-261.0	Mounting part	1	ST	
23	6.651-506.0	Lens housing	1	ST	
24	6.651-505.0	Pilot lamp	1	ST	
25	6.984-610.0	Circuit board control system HD-ST	1	ST	
28	7.303-106.0	Screw 4x12 -10.9-R2R (IN6RD)	7	ST	
29	7.312-281.0	Washer 4 -200HV-A2E ISO7093-1	2	ST	
30	6.643-336.0	Strip terminal	2	ST	VERSION 1
30	6.643-471.0	Strip terminal with fuse	2	ST	VERSION 2
31	6.644-070.0	Fuse insert medium time-lag G-5,0A	2	ST	
32	6.650-139.0	Cable harness HD-ST EU II	1	ST	
35	6.649-441.0	Cable without plug	1	ST	
36	7.312-098.0	Washer 27 -PA6.6-Natur ISO 7089	1	ST	
37	6.303-245.0	Cylinder head screw 3X18-ST-A2E	1	ST	VERSION 1
37	7.306-045.0	Screw M2x20 -4.8-A2K DIN 84	1	ST	VERSION 2
41	7.303-119.0	Countersunk screw 3x10 -10.9-R2R (In6Rd)	1	ST	VERSION 2
42	5.013-470.0	Plate clamp	1	ST	VERSION 2

40 Triple jet nozzle TR 055 (4.117-039.0)

POS	Description	Quantity	Unit
1	Triple jet nozzle TR 055	1	ST



1 Triple jet nozzle TR 055

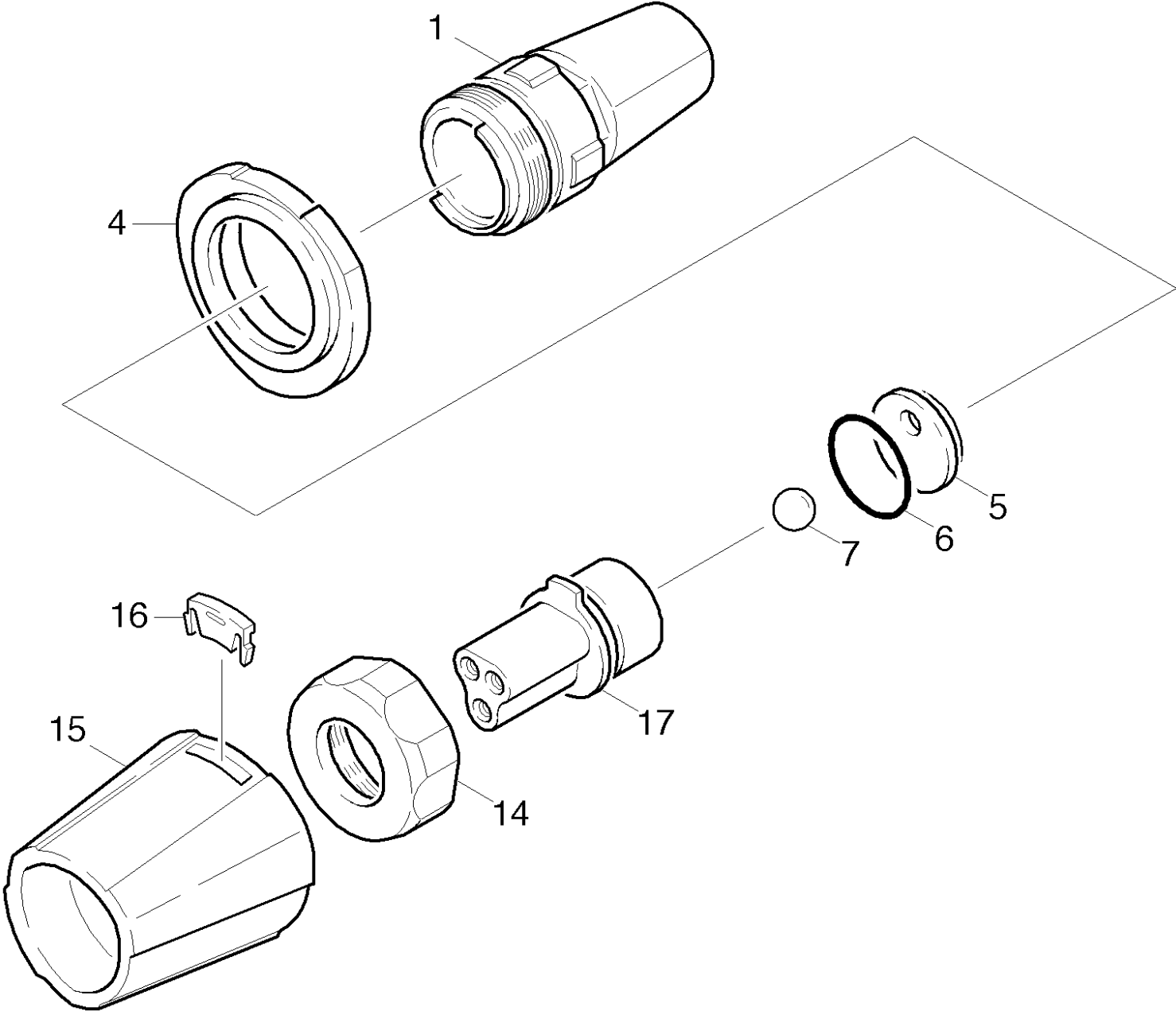
POS	Article no.	Description	Quantity	Unit
2	5.394-859.0	Protection part	1	ST
4	5.311-225.0	Nut	1	ST
6	6.362-480.0	O-Ring seal 12,42x 1,78	1	ST
7	6.362-460.0	O-Ring seal 14,0 X 2,5-NBR 70	1	ST
10	6.362-409.0	O-Ring seal 32,0 X 1,5	1	ST
11	7.401-902.0	Sphere 5 G20 -1.4034 DIN 5401	2	ST
12	5.321-884.0	Clamp	1	ST
15	6.363-696.0	Brake ring 14x20x3	1	ST

40 Triple jet nozzle 055 (4.767-066.0)

POS	Article no.	Description	Quantity	Unit
2	5.970-000.0	Spare parts list triple jet nozzle	1	ST
Item text2: 47670660				

2 Spare parts list triple jet nozzle (5.970-000.0)

POS	Description	Quantity	Unit
10	Triple jet nozzle	1	ST

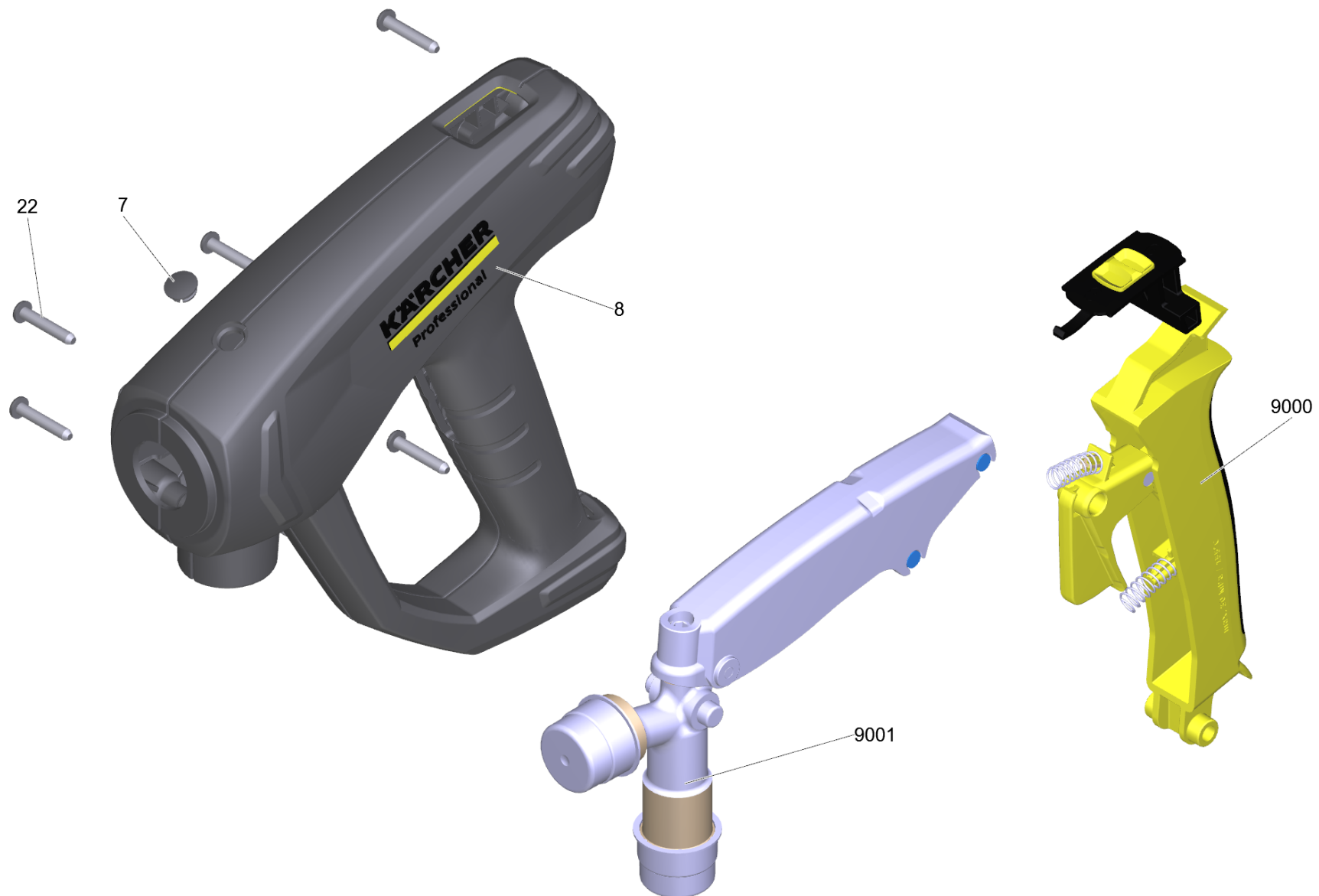


10 Triple jet nozzle

POS	Article no.	Description	Quantity	Unit	Remark
1	4.060-395.0	Housing complete only for replacement	1	ST	
4	5.394-401.0	Protection part	1	ST	
5	5.031-370.0	Moulded part	1	ST	
6	6.363-612.0	O-Ring seal 22 x 2 -NBR90	1	ST	
7	7.401-917.0	Sphere 10,0 G100-1.4301 DIN 5401	1	ST	
14	5.311-192.0	Union nut	1	ST	
15	5.394-402.0	Protection part	1	ST	
16	5.031-709.0	Moulded part	1	ST	
17	4.764-157.0	Nozzle holder 047	1	ST	4.767-064.0
17	4.764-158.0	Nozzle holder 05	1	ST	4.767-065.0
17	4.764-159.0	Nozzle holder 055	1	ST	4.767-066.0
17	4.764-161.0	Nozzle holder 08	1	ST	4.767-068.0
17	4.764-169.0	Nozzle holder 09	1	ST	4.767-075.0
17	4.764-173.0	Nozzle holder 0100	1	ST	4.767-106.0
17	7.777-999.0	Stockpiling discontinued	1	ST	4.767-067.0/-069.0

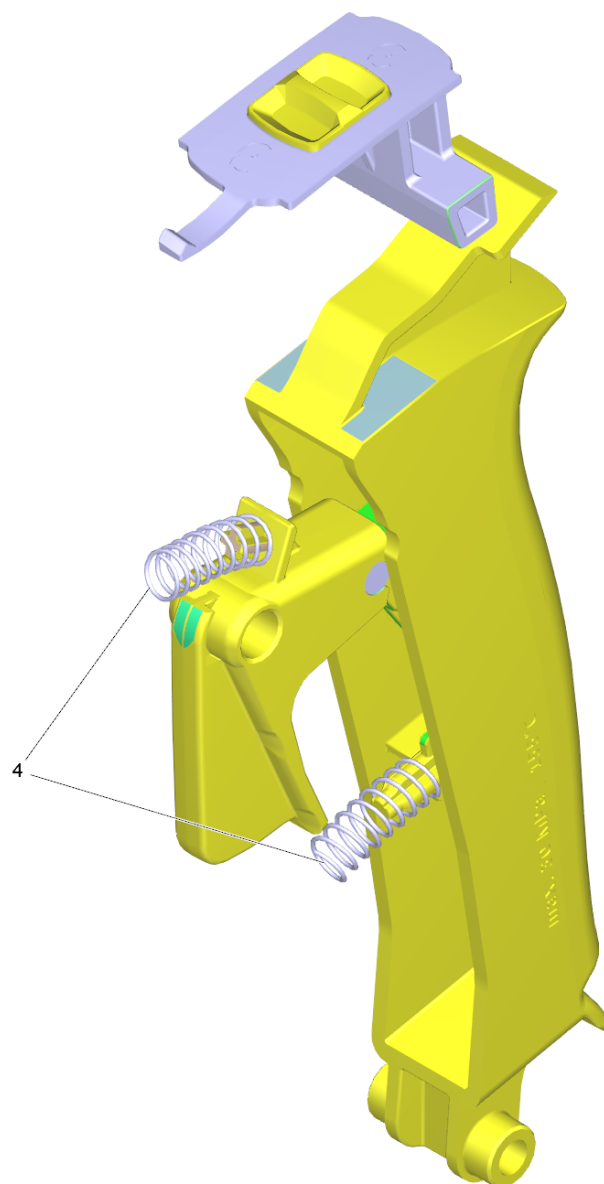
17 Nozzle holder 055 (4.764-159.0)

POS	Article no.	Description	Quantity	Unit
1	5.031-597.0	Rectifier	2	ST
	Item text2: 47641590			
7	6.362-661.0	O-Ring seal 5,0 X 1,0-NBR 80	3	ST
	Item text2: 47641590			
8	6.363-612.0	O-Ring seal 22 x 2 -NBR90	1	ST
	Item text2: 47641590			



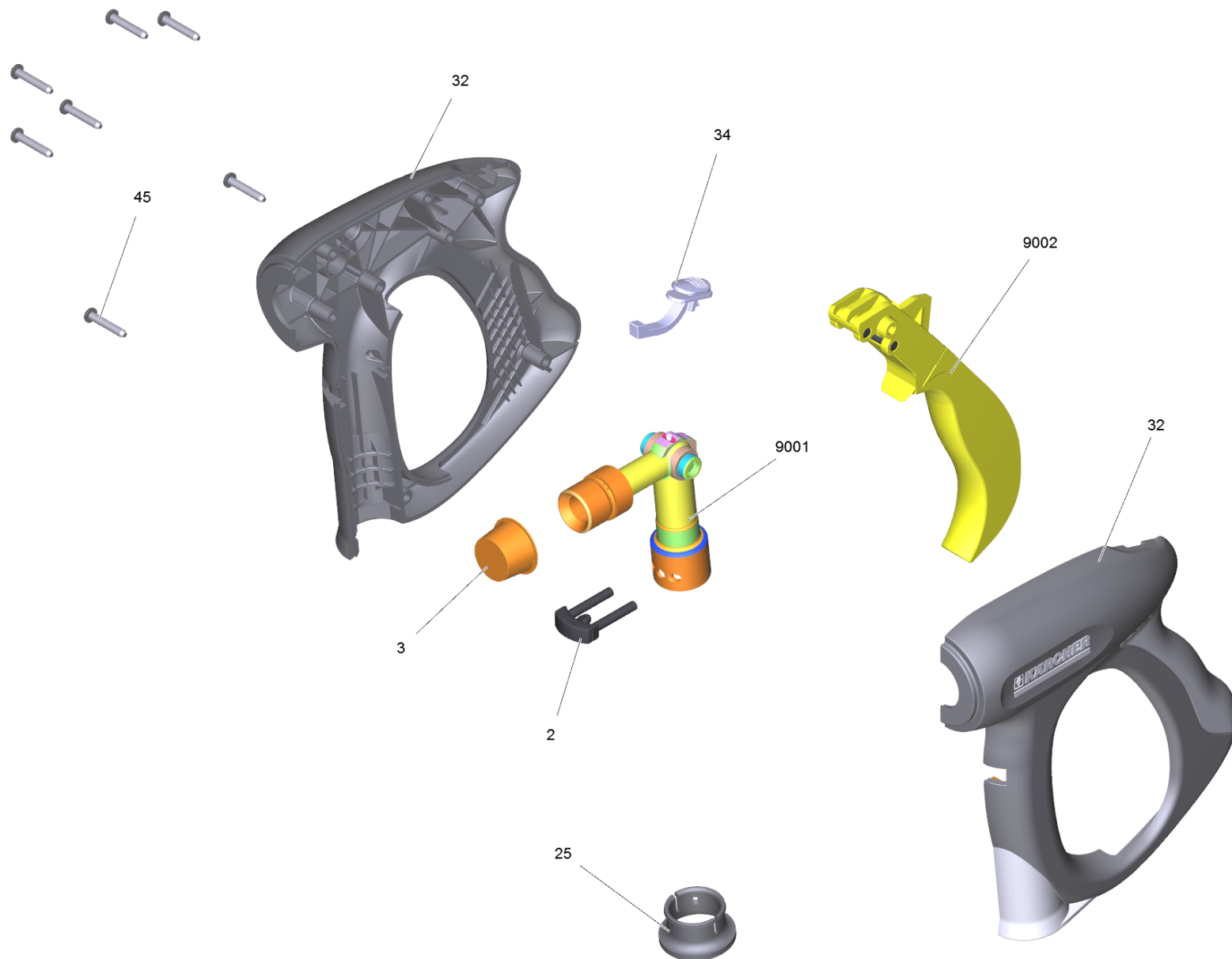
41 EASY!Force Advanced (4.118-005.0)

POS	Article no.	Description	Quantity	Unit
7	5.132-001.0	Plug	1	ST
8	5.321-136.3	Handhold few EH 155 only for replacement	1	ST
22	7.303-096.0	Screw 4x22 -ST-10.9-R2R (IN6RD)	7	ST
9000	2.885-483.0	Spare part set lever	1	ST
9001	4.427-014.0	Manifold TR EH 155 nur fuer Ersatz	1	ST



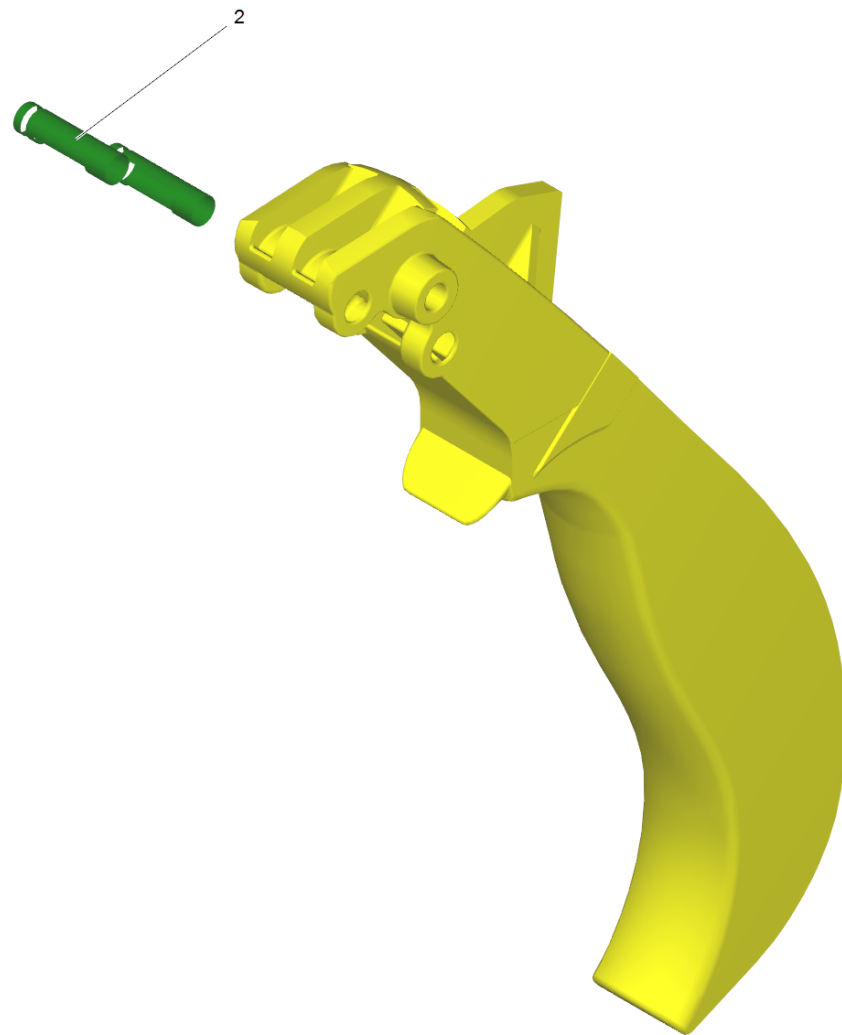
9000 Spare part set lever (2.885-483.0)

POS	Article no.	Description	Quantity	Unit
4	5.332-178.0	Helical spring	2	ST



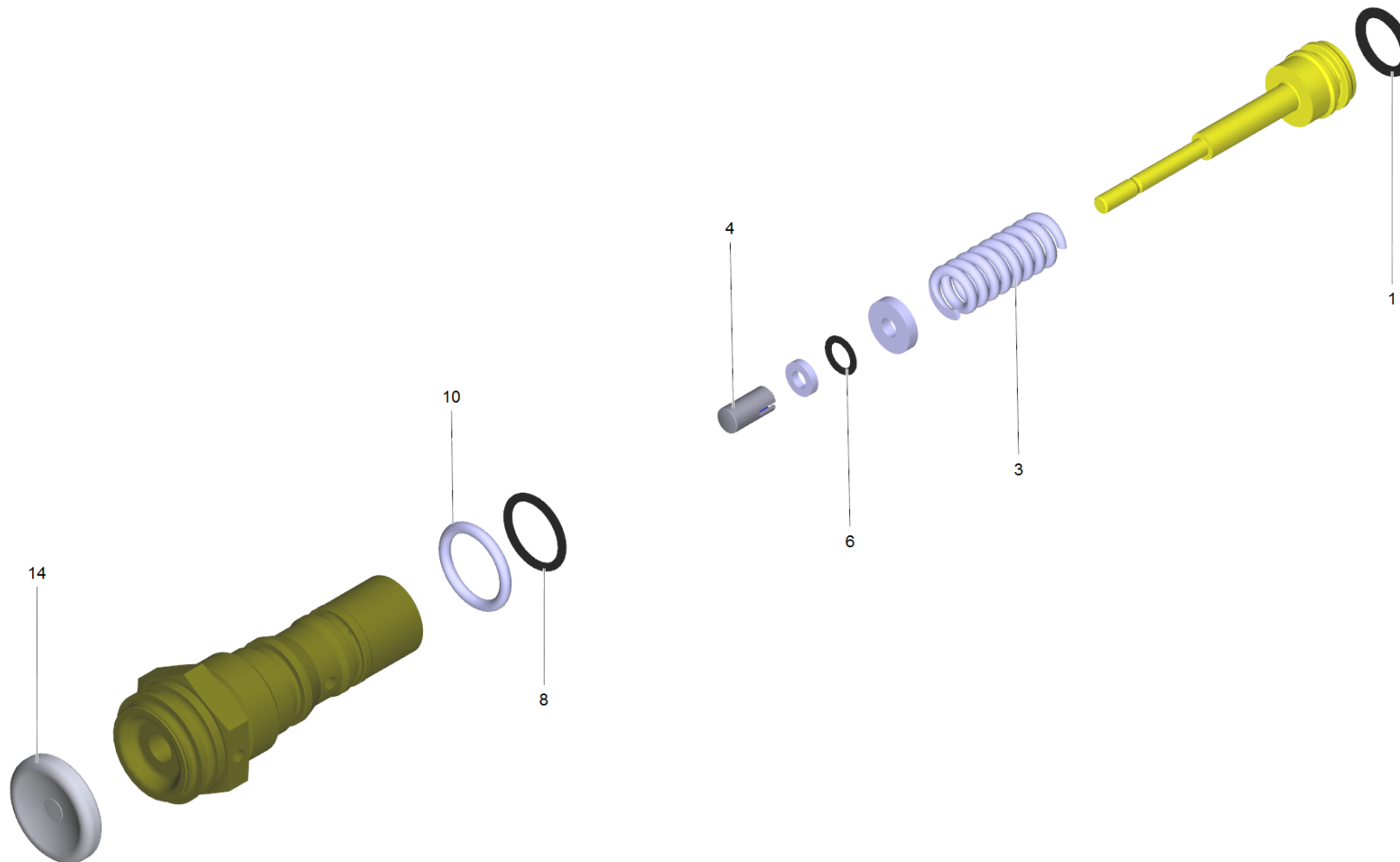
41 HAND TRIGGER GUN EASY PRESS (4.775-463.0)

POS	Article no.	Description	Quantity	Unit
2	4.037-013.0	Hook	1	ST
3	6.368-012.0	Protecting cap 22X1,5	1	ST
4	6.869-075.0	Metal bonding agent 1,5 ml	1	ST
cart_info_txt: This material is not available due to hazardous good regulation. Please procure this or a similar material from a local supplier of your choice.				
25	5.110-596.0	Sleeve	1	ST
32	5.321-669.3	Handhold few	1	ST
34	5.481-331.0	Slider	1	ST
45	7.303-096.0	Screw 4x22 -ST-10.9-R2R (IN6RD)	7	ST
1041	6.288-044.0	Silicon grease 100 G	1	ST
9001	4.427-215.0	Manifold complete only for replacement	1	ST
9002	4.481-209.0	Lever complete	1	ST



9002 Lever complete (4.481-209.0)

POS	Article no.	Description	Quantity	Unit
2	5.314-119.0	Pin	2	ST

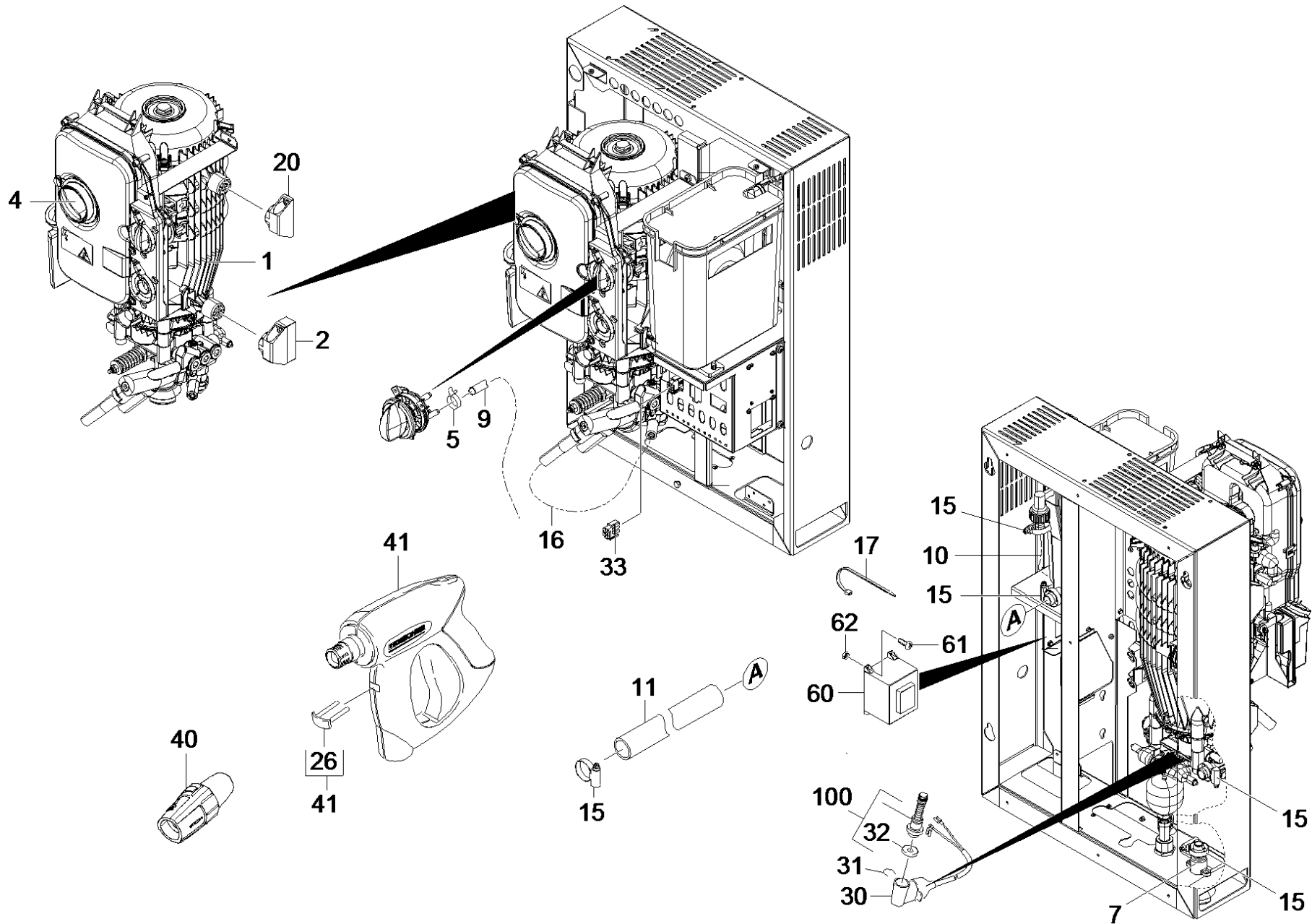


100 Spare part set control piston (2.885-226.0)

POS	Article no.	Description	Quantity	Unit
1	6.363-350.0	O-Ring seal 8.74x1.78	1	ST
3	5.332-511.0	Helical spring	1	ST
4	5.110-947.0	Sleeve	1	ST
6	6.363-330.0	O-Ring seal 2,9 x 1,78	1	ST
8	6.363-452.0	O-Ring seal 11 x 1,5	1	ST
10	6.363-519.0	O-Ring seal 12,00x 2,00	1	ST
14	5.367-030.0	Diaphragm	1	ST

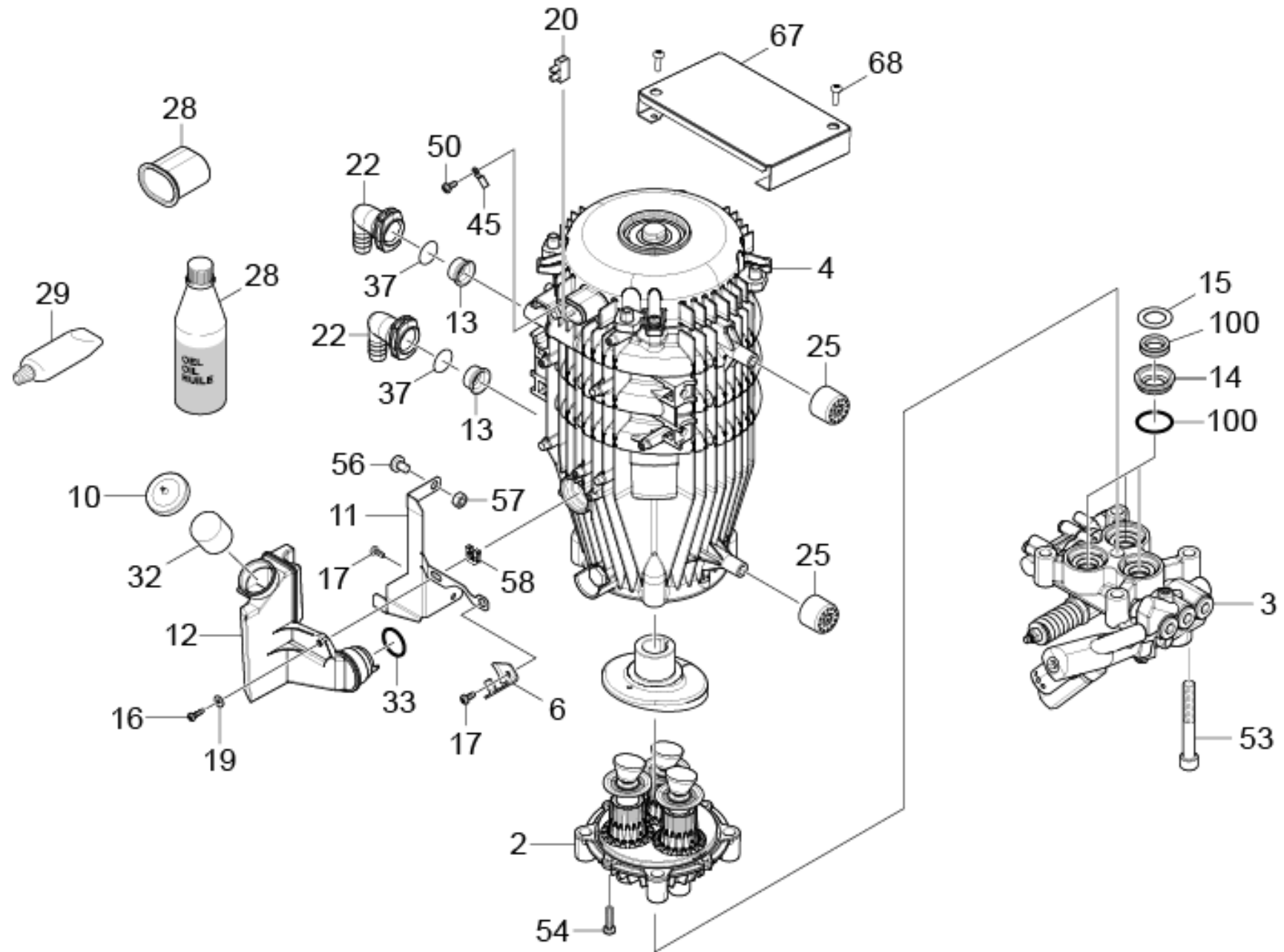
35 Pump set complete HD 13/12-4 ST 220-240V 60Hz

POS	Article no.	Description	Quantity	Unit
1000	2.532-030.3	Spare parts list pump set complete HD 13	1	ST



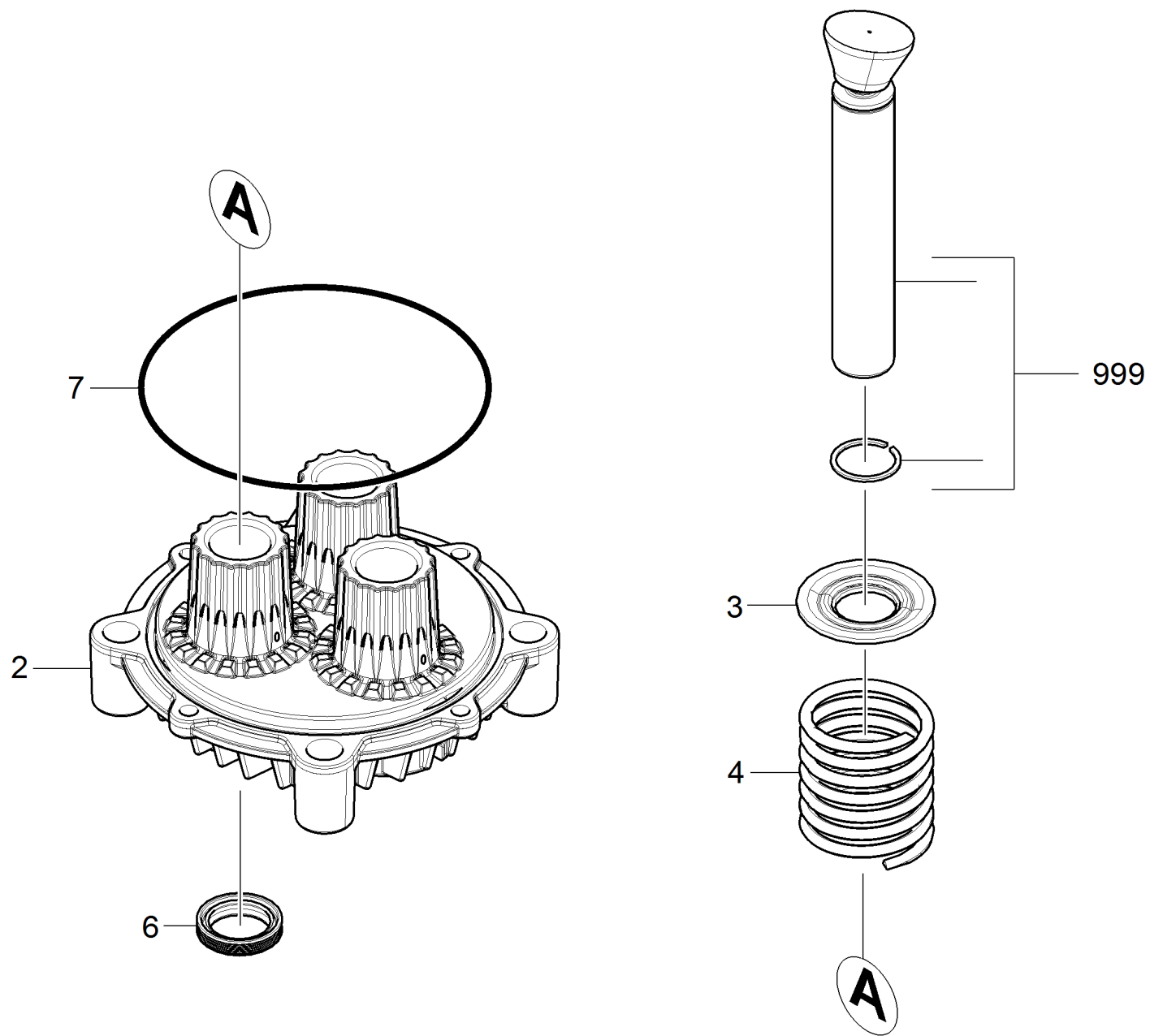
1000 Spare parts list pump set complete HD 13 (2.532-030.3)

POS	Article no.	Description	Quantity	Unit	Remark
1		Pump set HD 13/12-4 ST 60Hz	1	ST	
2	5.044-998.0	Holder	2	ST	
4		Electric control box HD-ST 230V	1	ST	
5	6.390-133.0	Hose clip	2	ST	
7	5.427-432.0	Manifold	1	ST	
9	6.388-247.0	Hose DN8 -PVC	0,64	M	
10	6.388-719.0	Hose DN17	1,27	M	
11	5.443-628.0	Hose	1	ST	
15	7.373-022.0	Hose clip A-16-27x9 -W2-2 DIN3017	6	ST	
16	6.391-990.0	Hose assembly DN8 40MPa 0,45m	1	ST	
17	6.641-465.0	Cable tape	1	ST	
20	5.044-891.0	Holder	2	ST	
26	4.037-013.0	Hook	1	ST	
30	4.744-190.0	Switch complete	1	ST	
31	5.034-494.0	Retaining bracket	1	ST	
32	5.367-030.0	Diaphragm	1	ST	
33	6.649-887.0	Plug triple dummy plug	1	ST	
40	4.117-041.0	Triple jet nozzle TR 098	1	ST	1.524-950.2
40	4.767-205.0	Triple jet nozzle only for replacement 0	1	ST	1.524-500.2
41	4.118-005.0	EASY!Force Advanced	1	ST	1.524-950.2
41	4.775-463.0	HAND TRIGGER GUN EASY PRESS	1	ST	1.524-500.2
60	6.622-336.0	Control transformer 96VA - EI78/40,5 230	1	ST	
61	7.306-058.0	Screw M 4X 12- 8.8-R2R K-IN6RD	4	ST	
62	7.311-569.0	Square nut M4 -04-A2E DIN 562	4	ST	
100	2.885-226.0	Spare part set control piston	1	ST	



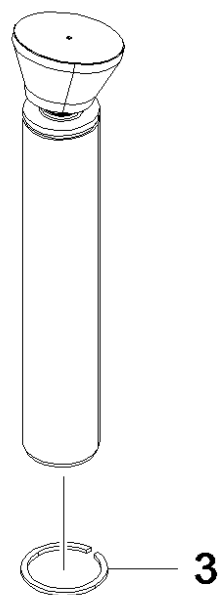
1 Pump set HD 13/12-4 ST 60Hz

POS	Article no.	Description	Quantity	Unit
2		Thrust guidance complete	1	ST
3		Cylinder head complete	1	ST
4	4.624-224.0	Motor complete only for replacement	1	ST
6	5.011-428.0	Plate bracket	1	ST
10	5.064-457.0	Cover plate qusty grey oil	1	ST
11	5.011-622.0	Plate holder oil tank	1	ST
12	5.070-831.0	Tank oil	1	ST
13	5.110-341.0	Sleeve	2	ST
14	5.112-870.0	Bush	3	ST
15	5.115-520.0	Washer	3	ST
16	7.306-208.0	Screw M 4x16-A2-70 (In6RD)	1	ST
17	7.303-038.0	Screw M5x12 -St-P2R (In6Rd)	2	ST
18	5.365-302.0	Profile gasket	1	ST
19	7.312-293.0	Washer 4-A2 ISO 7093-1	1	ST
20	6.643-151.0	Strip terminal one-pole 16mm ²	1	ZST
22	5.427-415.0	Manifold	2	ST
25	5.767-005.0	Rubber buffer	4	ST
28	6.288-016.0	Gear oil 1L	1	ST
29	6.288-044.0	Silicon grease 100 G	1	ST
32	5.132-187.0	Plug	1	ST
33	6.362-722.0	O-Ring seal 28,0 X 3,0	1	ST
37	6.362-579.0	O-Ring seal 17,5 X 3,5	2	ST
45	4.820-578.0	Cable green/yellow 1,5mm ² x450mm	1	ST
50	7.303-031.0	Screw M4x10 -St-P2R (In6Rd)	1	ST
53	7.306-430.0	Cylinder head screw M12x90- 10.9-A3K ISO 4762	4	ST
54	7.306-094.0	Screw M6x25 -8.8-R3R (In6Rd)	2	ST
56	7.311-068.0	Hexagon nut M 8-A2-70 ISO 4032	1	ST
57	7.306-223.0	Screw M8x12 -A2-70 (In6Rd)	1	ST
58	6.310-176.0	Putting nut M4	1	ST
67	5.010-082.0	Cover plate HD 10/25 Cage	1	ST
68	7.303-048.0	Screw M6x20 -St-R3R (In6Rd)	2	ST
100	2.885-319.0	Pump set HD 13/12-4 ST-H	1	ST



2 Thrust guidance complete

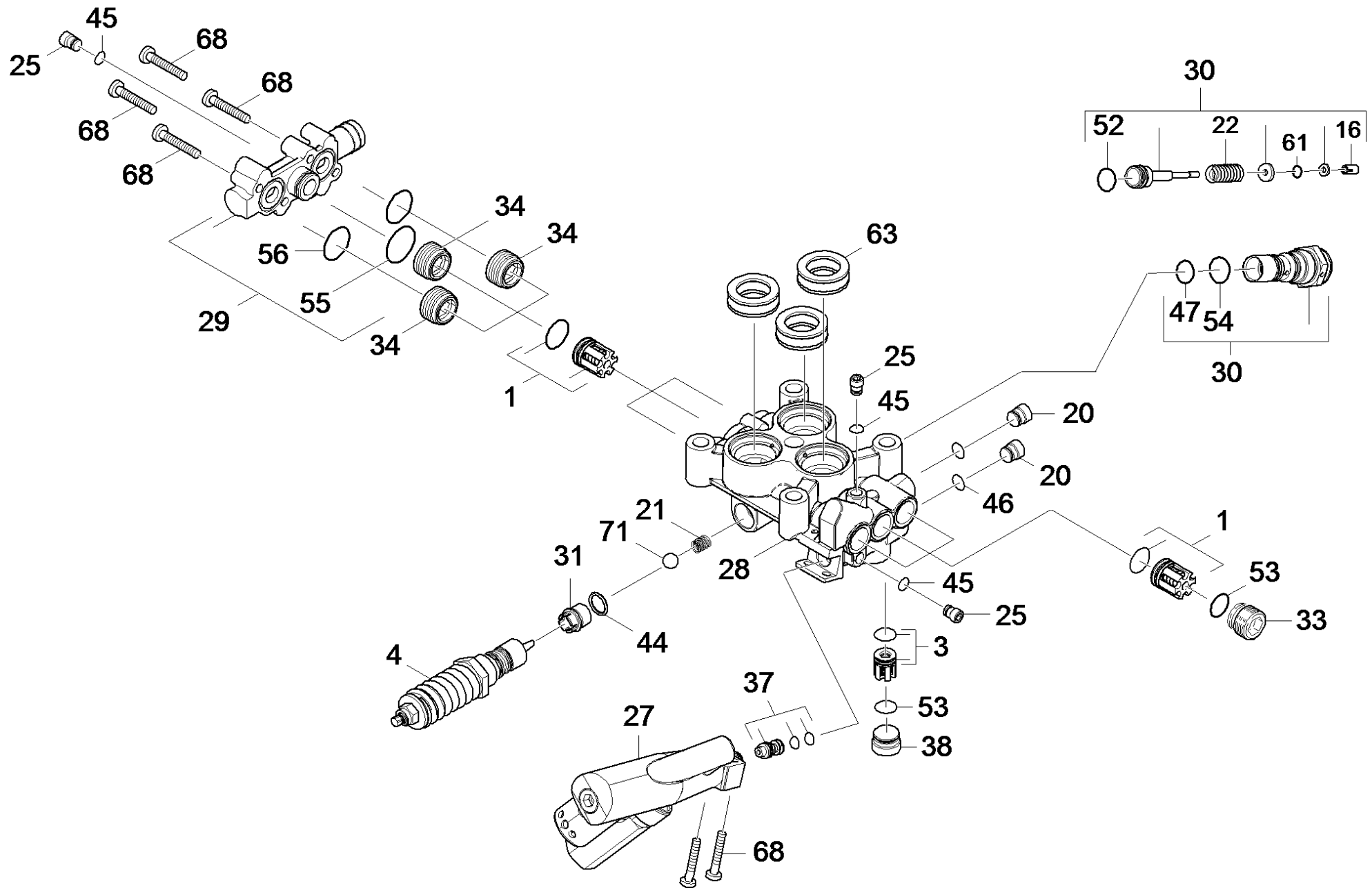
POS	Article no.	Description	Quantity	Unit
2	5.060-954.3	Thrust guidance D22	1	ST
3	5.116-065.0	Washer D22	3	ST
4	5.332-187.0	Helical spring	3	ST
6		Part at pump set	1	ST
7		Part at pump set	1	ST
999	4.553-280.0	Piston complete only for replacement	3	ST



999 Piston complete only for replacement (4.553-280.0)

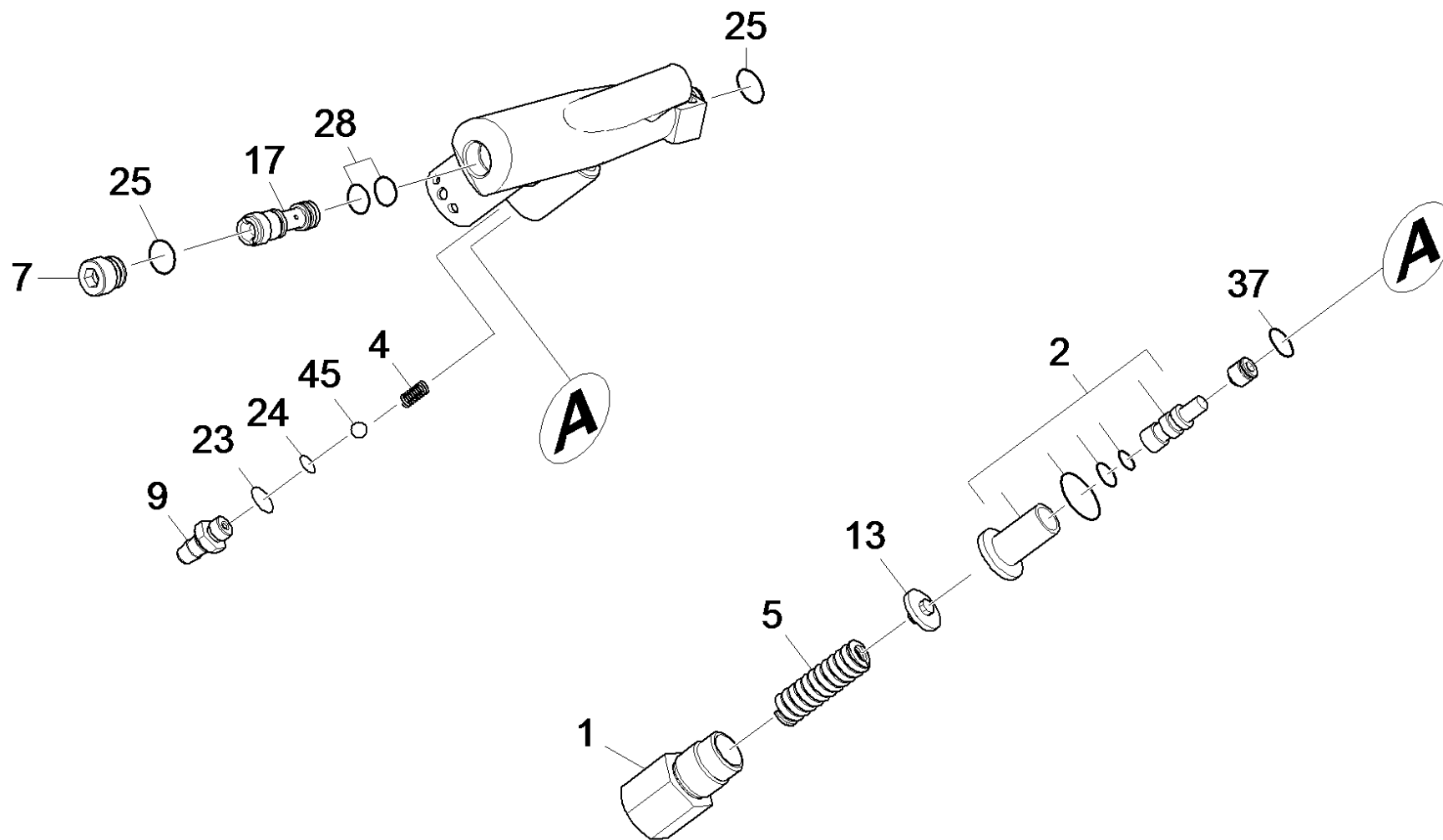
POS	Article no.	Description	Quantity	Unit
3	6.343-142.0	Snap ring WR 22	1	ST

3 Cylinder head complete



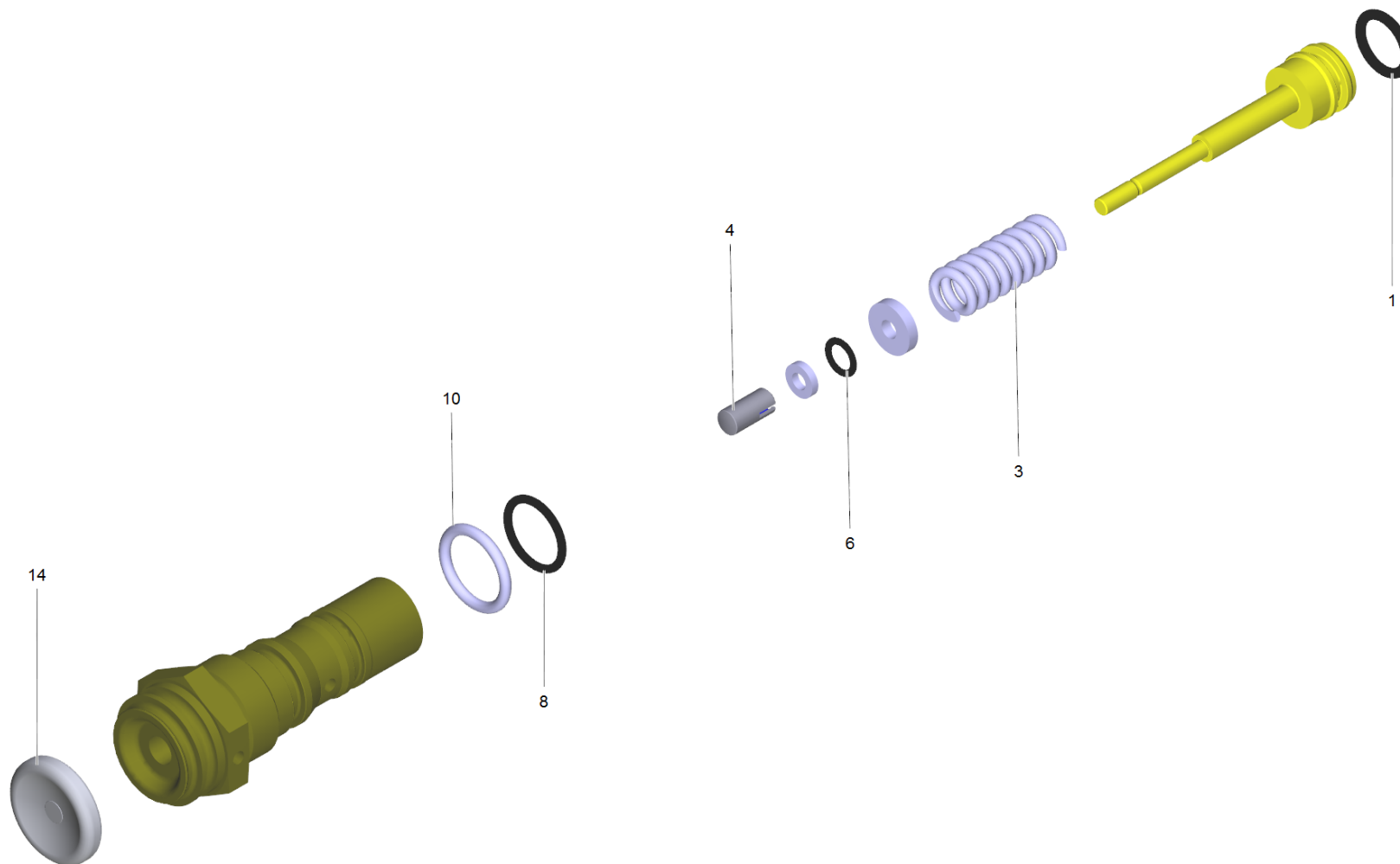
3 Cylinder head complete

POS	Article no.	Description	Quantity	Unit
1		Part at pump set	1	ST
3		Part at pump set	1	ST
4	2.885-238.0	Spare part set overflow valve	1	ST
16	5.110-947.0	Sleeve	1	ST
20	5.411-152.0	Screw plug	2	ST
21	5.332-999.0	Helical spring	1	ST
22	5.332-511.0	Helical spring	1	ST
25	5.411-161.0	CLOSING SCREW M10X1	3	ST
27		Overflow valve complete	1	ST
28	5.550-367.0	Cylinder head HD 13/12-4 ST	1	ST
29	2.885-233.0	Manifold low-pressure intake	1	ST
30	2.885-226.0	Spare part set control piston	1	ST
31	5.581-270.0	Valve seat	1	ST
33	5.583-146.3	Valve screw	3	ST
34	5.583-180.0	Valve screw M20x1	3	ST
37	2.885-231.0	Spare part set nozzle insert only for re	1	ST
38	5.411-166.0	CLOSING SCREW	1	ST
44	6.362-151.0	O-Ring d. 10 x 2 NBR 70	1	ST
45		Part at pump set	1	ST
46		Part at pump set	1	ST
47	6.363-615.0	O-Ring seal 11 x 1,5 -NBR70	1	ST
52	6.363-350.0	O-Ring seal 8.74x1.78	1	ST
53		Part at pump set	1	ST
54	6.362-169.0	O-Ring seal 12,0 X 2,0	1	ST
55		Part at pump set	1	ST
56		Part at pump set	1	ST
61	6.363-330.0	O-Ring seal 2,9 x 1,78	1	ST
63		Part at pump set	1	ST
68	7.306-118.0	Screw M 6x35 -8.8-R3R (In6Rd)	6	ST
71	7.401-910.0	Sphere 3/8 G80-1.4034 DIN 5401	1	ST



27 Overflow valve complete

POS	Article no.	Description	Quantity	Unit
1	5.304-114.0	Hexagonal head screw bush	1	ST
2	2.885-232.0	Wearing parts set	1	ST
4	5.332-258.0	Helical spring	1	ST
5	5.332-444.0	Helical spring	1	ST
7	5.411-168.0	Valve screw M16x1	1	ST
9	5.443-370.0	Nipple	1	ST
13	5.584-169.0	Valve pin	1	ST
17	5.769-227.0	Nozzle insert	1	ST
23	6.362-690.0	O-Ring seal 7x2 - NBR 70	1	ST
24	6.363-597.0	O-Ring seal 5,28 x 1,78	1	ST
25	6.362-151.0	O-Ring d. 10 x 2 NBR 70	2	ST
28	6.362-384.0	O-Ring seal 9x1,5 - NBR 70	2	ST
37	6.363-045.0	O-Ring seal 8X1,25 NBR	1	ST
45	7.401-908.0	Sphere 7 G300 -1.4301 DIN 5401	1	ST

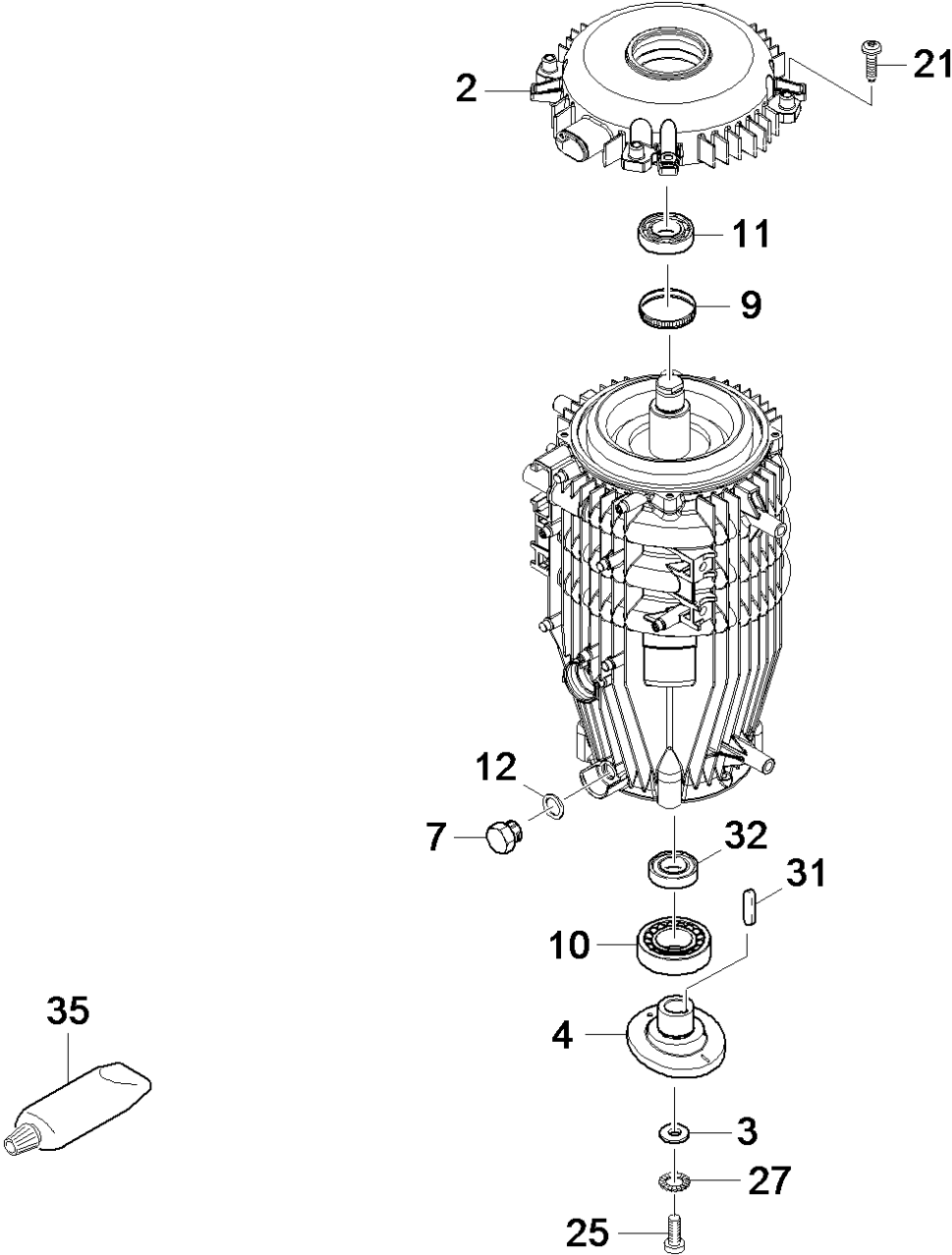


30 Spare part set control piston (2.885-226.0)

POS	Article no.	Description	Quantity	Unit
1	6.363-350.0	O-Ring seal 8.74x1.78	1	ST
3	5.332-511.0	Helical spring	1	ST
4	5.110-947.0	Sleeve	1	ST
6	6.363-330.0	O-Ring seal 2,9 x 1,78	1	ST
8	6.363-452.0	O-Ring seal 11 x 1,5	1	ST
10	6.363-519.0	O-Ring seal 12,00x 2,00	1	ST
14	5.367-030.0	Diaphragm	1	ST

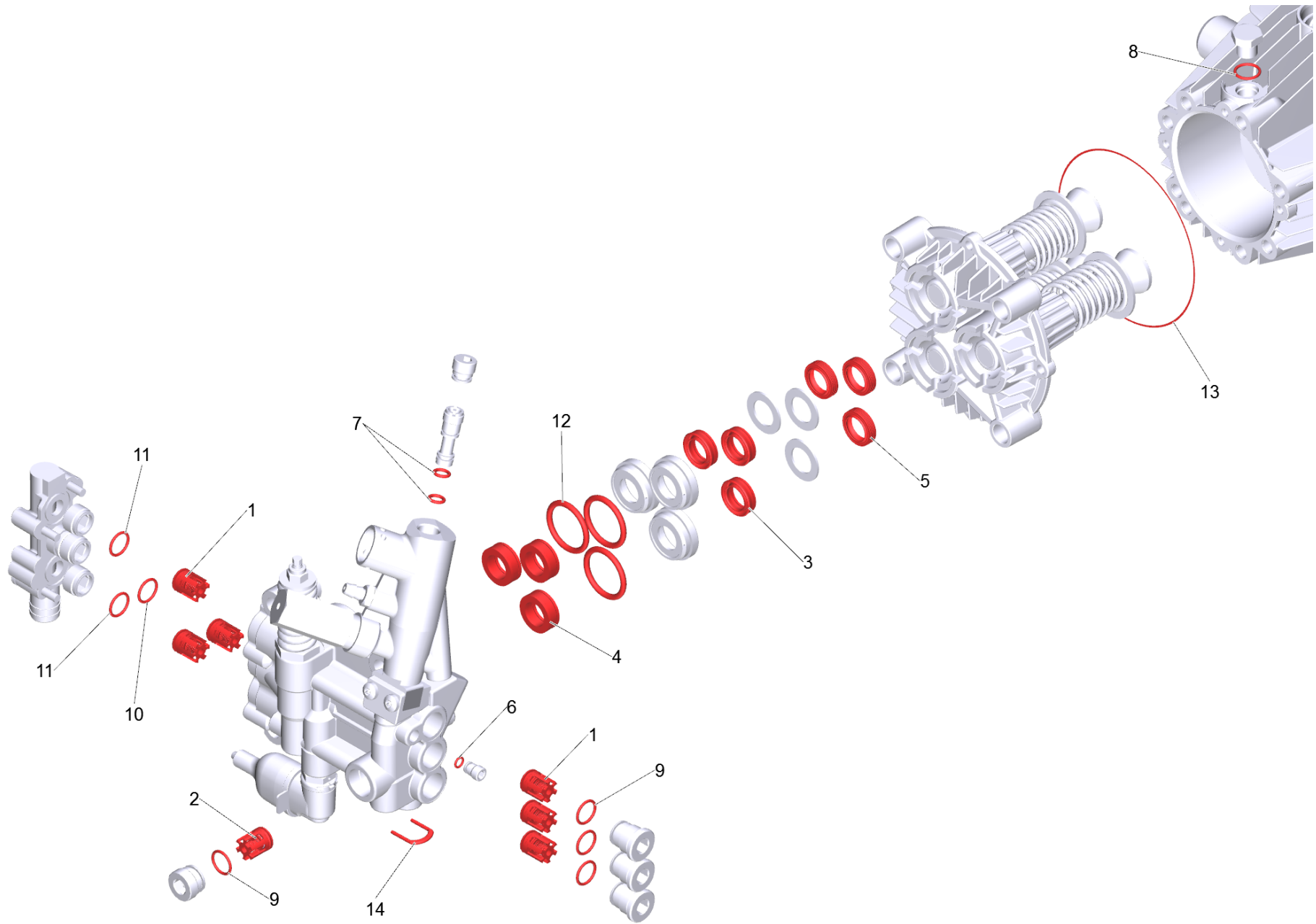
4 Motor complete only for replacement (4.624-224.0)

POS	Description	Quantity	Unit
1	Motor complete HD 13/12-4ST 60Hz	1	ST



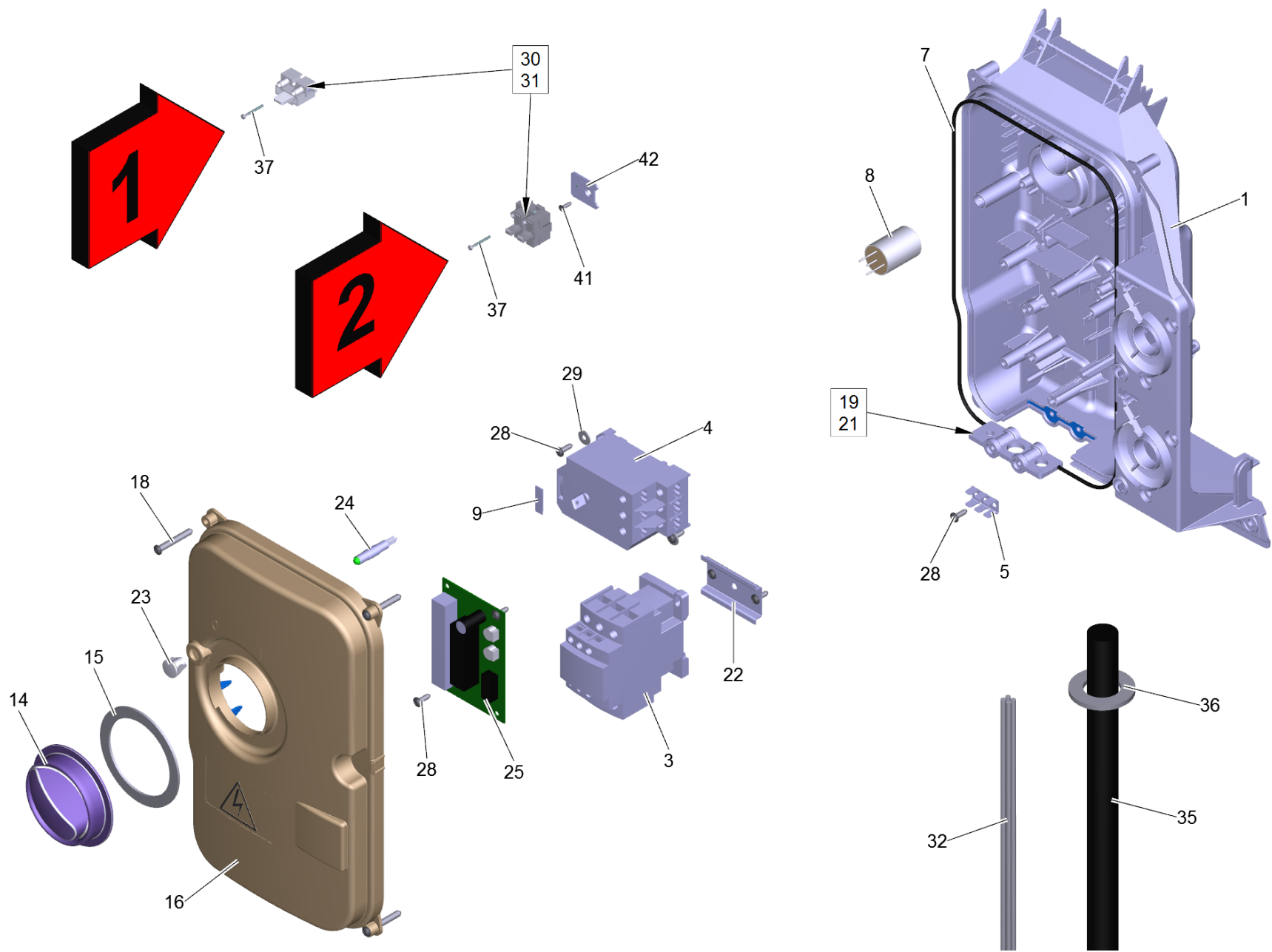
1 Motor complete HD 13/12-4ST 60Hz

POS	Article no.	Description	Quantity	Unit
2	5.064-006.0	Bearing cover B	1	ST
3	5.115-565.0	Washer	1	ST
4	5.120-361.0	Wobble plate	1	ST
7	5.411-100.0	Screw plug	1	ST
9	6.343-010.0	Tolerance ring 62x10	1	ST
10	6.401-225.3	Taper roller bearing 41	1	ST
11	6.401-253.0	Ball bearing 6305-2Z	1	ST
12	6.363-498.0	O-Ring seal 11,0x2,0 HNBR	1	ST
21	6.303-515.0	Self-tapping screw M6x25	4	ST
25	7.306-041.0	Cylinder head screw M8x20 -8.8-A2E ISO	1	ST
27	7.312-159.0	Toothed lock washer A8,4-FST-PH DIN 679	1	ST
31	7.318-035.0	Parallel key 8x7x25 -C45K DIN 6885-1	1	ST
32	7.367-012.0	Radial shaft seal ring A35x52x7 -FKM DIN	1	ST
35	6.288-044.0	Silicon grease 100 G	1	ST



100 Pump set HD 13/12-4 ST-H (2.885-319.0)

POS	Article no.	Description	Quantity	Unit
1	2.885-229.0	Valve only for replacement	2	ST
2	4.580-734.0	Valve complete	1	ST
3	2.885-253.0	Set of gaskets ND PTFE (3x)	1	ST
4	2.885-234.0	Set of gaskets high pressure (3 Stueck)	1	ST
5	6.365-422.0	Grooved ring 22X30X7/6	3	ST
6	6.363-543.0	O-Ring seal 6,0 x 1,5 HNBR 70 Shore	3	ST
7	6.363-331.0	O-Ring seal 9,0 x 1,5	2	ST
8	6.363-498.0	O-Ring seal 11,0x2,0 HNBR	1	ST
9	6.363-459.0	O-Ring seal 14 x 2	4	ST
10	6.363-542.0	O-Ring seal 16,0 x 2,0 HNBR 70 Shore	1	ST
11	6.363-541.0	O-Ring seal 21 x 1,78 HNBR 70 Shore	2	ST
12	6.363-545.0	O-Ring seal 36,0 x 2,0 HNBR 70 Shore	3	ST
13	6.363-544.0	O-Ring seal 114,0 x 3,0 HNBR 70 Shore	1	ST
14	5.034-494.0	Retaining bracket	1	ST
15	6.288-072.0	Silicon grease	1	ST



4 Electric control box HD-ST 230V

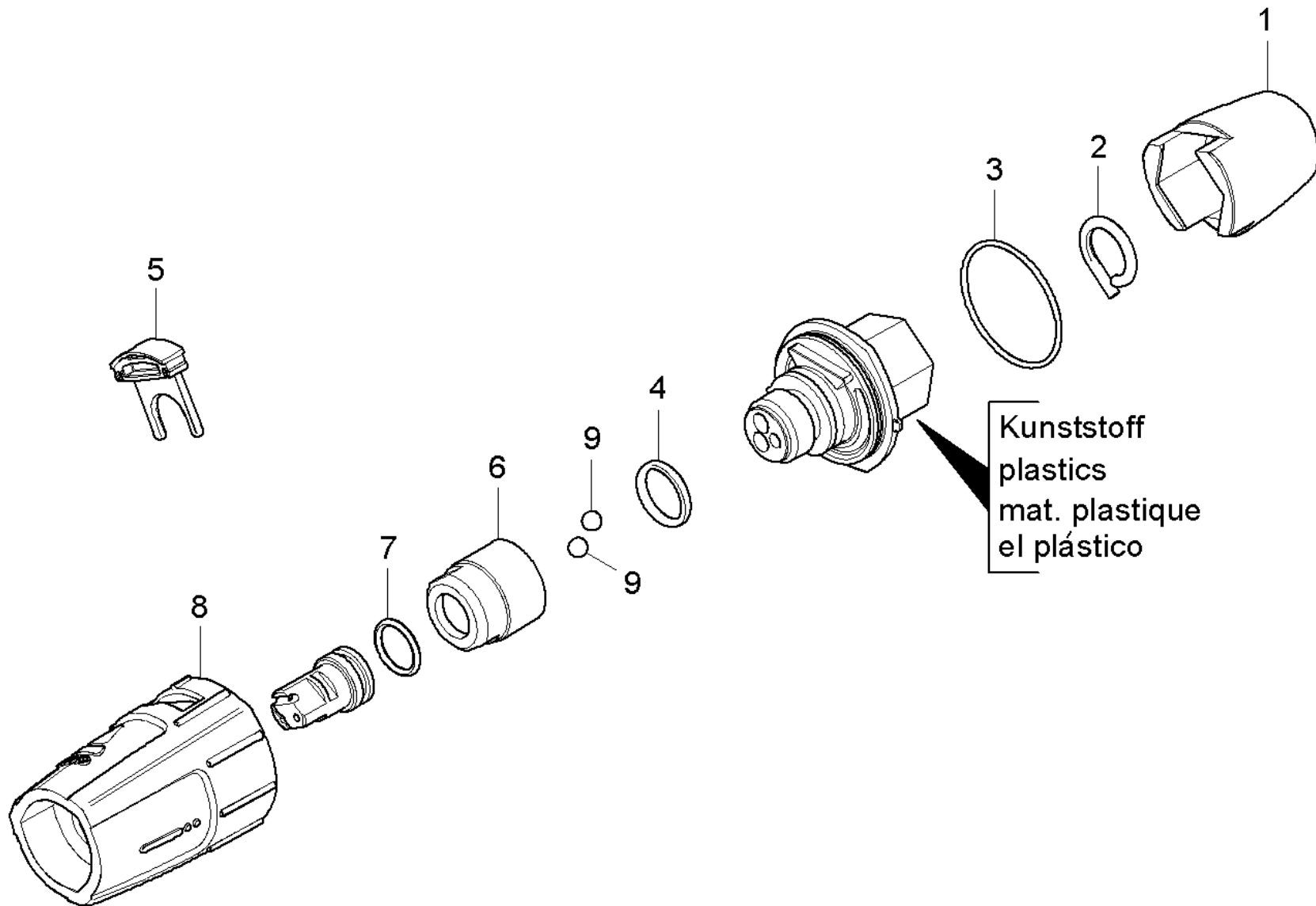
POS	Article no.	Description	Quantity	Unit	Foot note text
1	5.062-336.0	Housing electric control box	1	ST	
3	6.632-334.0	Power contactor LC1 D32 B7	1	ST	
4	6.631-428.0	Motor protecting switch -22-27A	1	ST	
5	6.641-270.0	Plug	1	ST	
7	6.273-037.0	Seal string cellular rubber 3	0,8	M	
8	6.661-302.0	Interference suppressor triple-pole	1	ST	
9	6.630-049.0	Cap	1	ST	
14	5.321-692.0	Handle	1	ST	
15	5.363-616.0	Joint ring	1	ST	
16	5.064-413.0	Cover electric control box	1	ST	
18	7.303-085.0	Screw 4x 35 -10.9-R2R (K-In6Rd)	4	ST	
19		Tensioning part 13/14/7	2	ST	
21		Sheet metal screw ST3,9x45 -St-A2K-C-H I	2	ST	
22	5.802-261.0	Mounting part	1	ST	
23	6.651-506.0	Lens housing	1	ST	
24	6.651-505.0	Pilot lamp	1	ST	
25	6.984-610.0	Circuit board control system HD-ST	1	ST	
28	7.303-106.0	Screw 4x12 -10.9-R2R (IN6RD)	7	ST	
29	7.312-281.0	Washer 4 -200HV-A2E ISO7093-1	2	ST	
30	6.643-336.0	Strip terminal	2	ST	VERSION 1
30	6.643-471.0	Strip terminal with fuse	2	ST	VERSION 2
31	6.644-070.0	Fuse insert medium time-lag G-5,0A	2	ST	
32	6.650-139.0	Cable harness HD-ST EU II	1	ST	
35	6.649-441.0	Cable without plug	1	ST	
36	7.312-098.0	Washer 27 -PA6.6-Natur ISO 7089	1	ST	
37	6.303-245.0	Cylinder head screw 3X18-ST-A2E	1	ST	VERSION 1
37	7.306-045.0	Screw M2x20 -4.8-A2K DIN 84	1	ST	VERSION 2
41	7.303-119.0	Countersunk screw 3x10 -10.9-R2R (In6Rd)	1	ST	VERSION 2
42	5.013-470.0	Plate clamp	1	ST	VERSION 2

40 Triple jet nozzle only for replacement 0 (4.767-205.0)

POS	Article no.	Description	Quantity	Unit
2	5.970-837.0	Spare parts list triple jet nozzle	1	ST

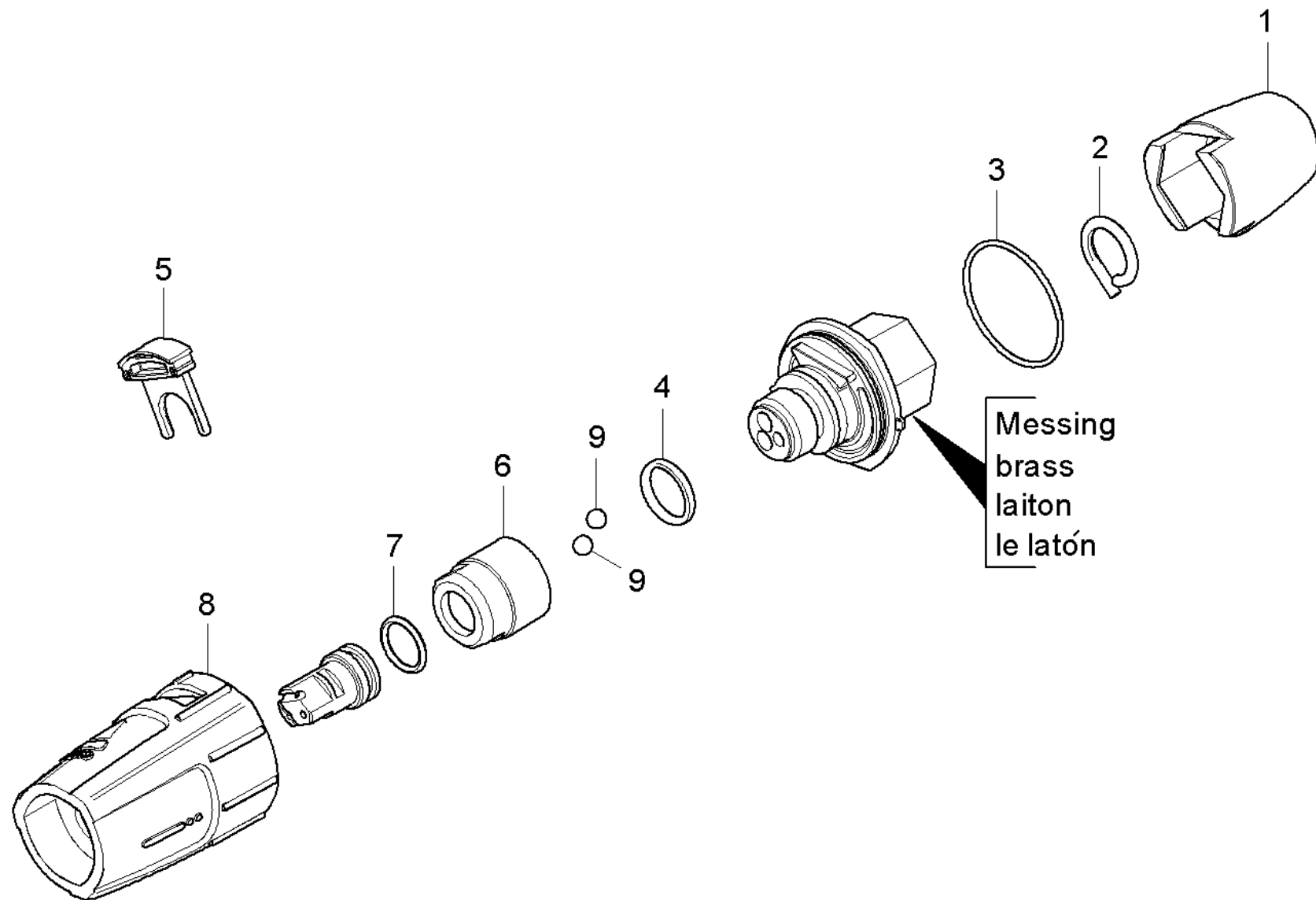
2 Spare parts list triple jet nozzle (5.970-837.0)

POS	Description	Quantity	Unit
10	Triple jet nozzle plastics	1	ST
20	Triple jet nozzle brass	1	ST



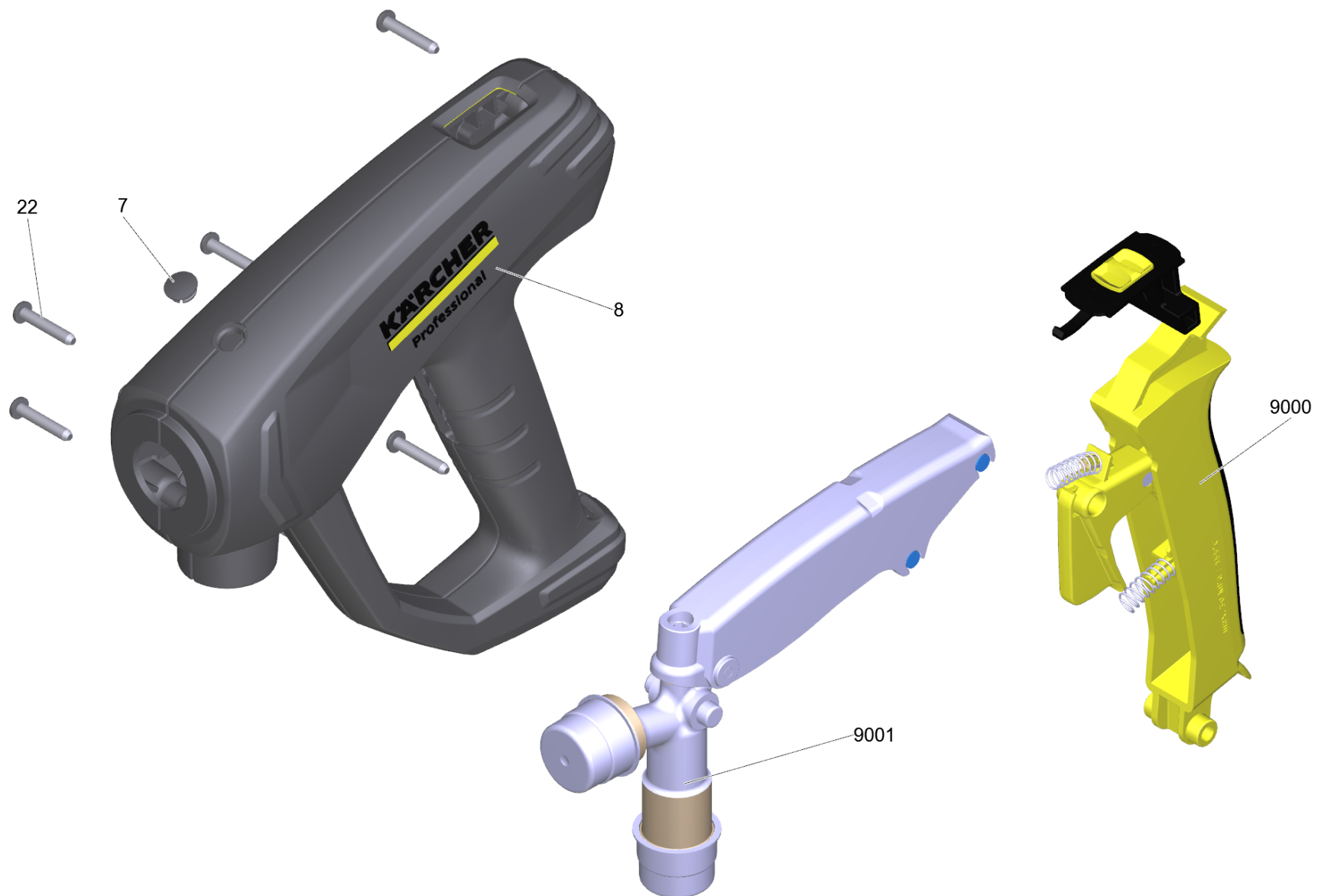
10 Triple jet nozzle plastics

POS	Article no.	Description	Quantity	Unit
1	5.394-530.0	Protection part complete	1	ST
2	6.343-150.0	Pin 03	1	ST
3	6.362-409.0	O-Ring seal 32,0 X 1,5	1	ST
4	7.362-039.0	O-Ring seal 15,5x1,5 -NBR70 DIN 3771	1	ST
5	5.321-884.0	Clamp	1	ST
6	5.311-236.0	Nut	1	ST
7	6.362-480.0	O-Ring seal 12,42x 1,78	1	ST
8	5.394-874.0	Protection part	1	ST
9	7.401-902.0	Sphere 5 G20 -1.4034 DIN 5401	2	ST



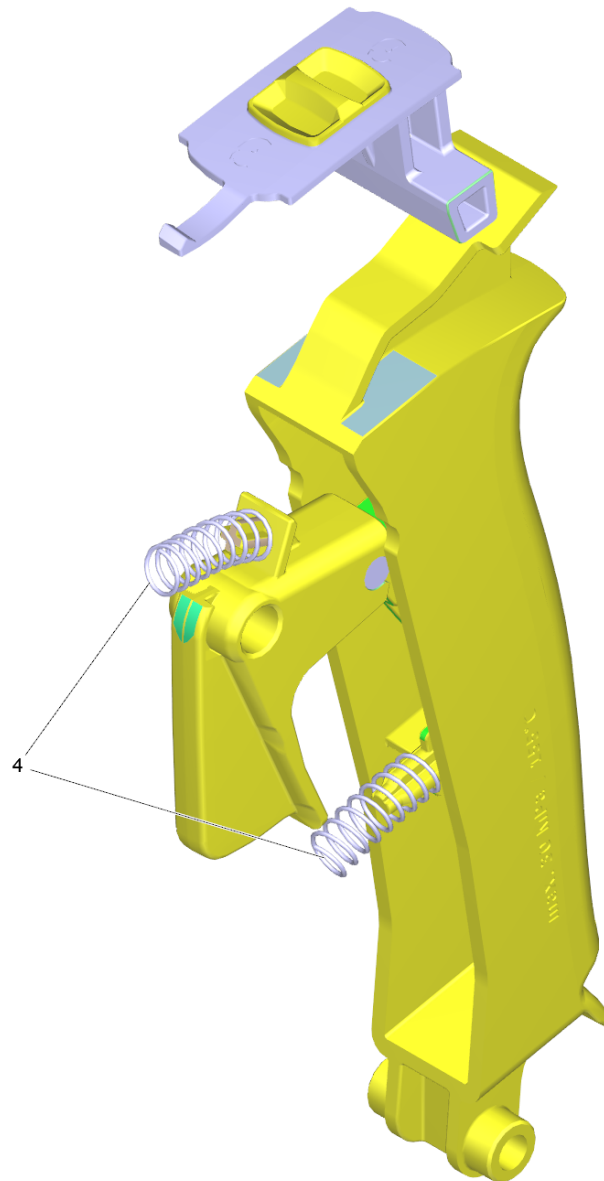
20 Triple jet nozzle brass

POS	Article no.	Description	Quantity	Unit
1	5.394-530.0	Protection part complete	1	ST
2	6.343-150.0	Pin 03	1	ST
3	6.362-409.0	O-Ring seal 32,0 X 1,5	1	ST
4	6.362-460.0	O-Ring seal 14,0 X 2,5-NBR 70	1	ST
5	5.321-884.0	Clamp	1	ST
6	5.311-225.0	Nut	1	ST
7	6.362-480.0	O-Ring seal 12,42x 1,78	1	ST
8	5.394-859.0	Protection part	1	ST
9	7.401-902.0	Sphere 5 G20 -1.4034 DIN 5401	2	ST



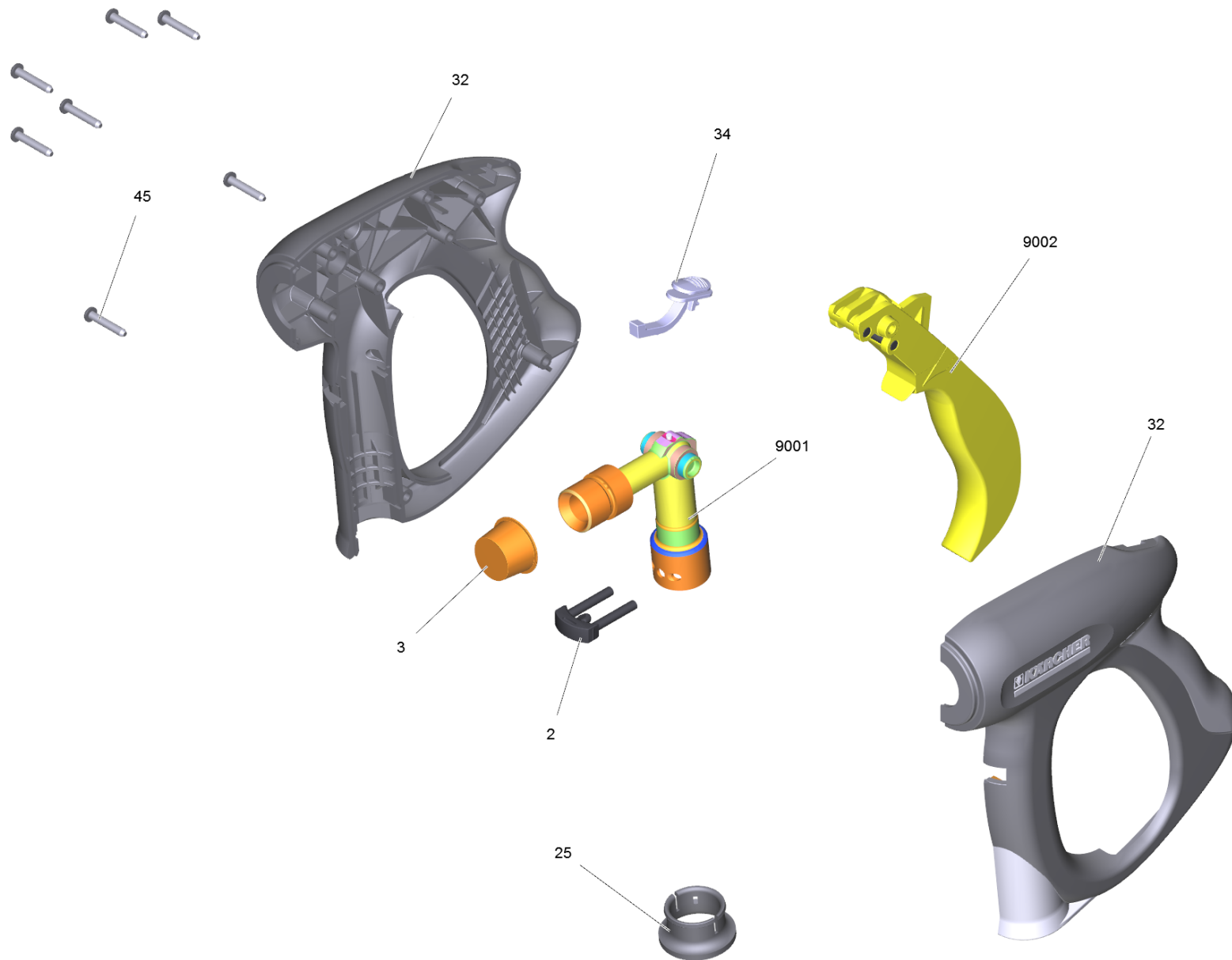
41 EASY!Force Advanced (4.118-005.0)

POS	Article no.	Description	Quantity	Unit
7	5.132-001.0	Plug	1	ST
8	5.321-136.3	Handhold few EH 155 only for replacement	1	ST
22	7.303-096.0	Screw 4x22 -ST-10.9-R2R (IN6RD)	7	ST
9000	2.885-483.0	Spare part set lever	1	ST
9001	4.427-014.0	Manifold TR EH 155 nur fuer Ersatz	1	ST



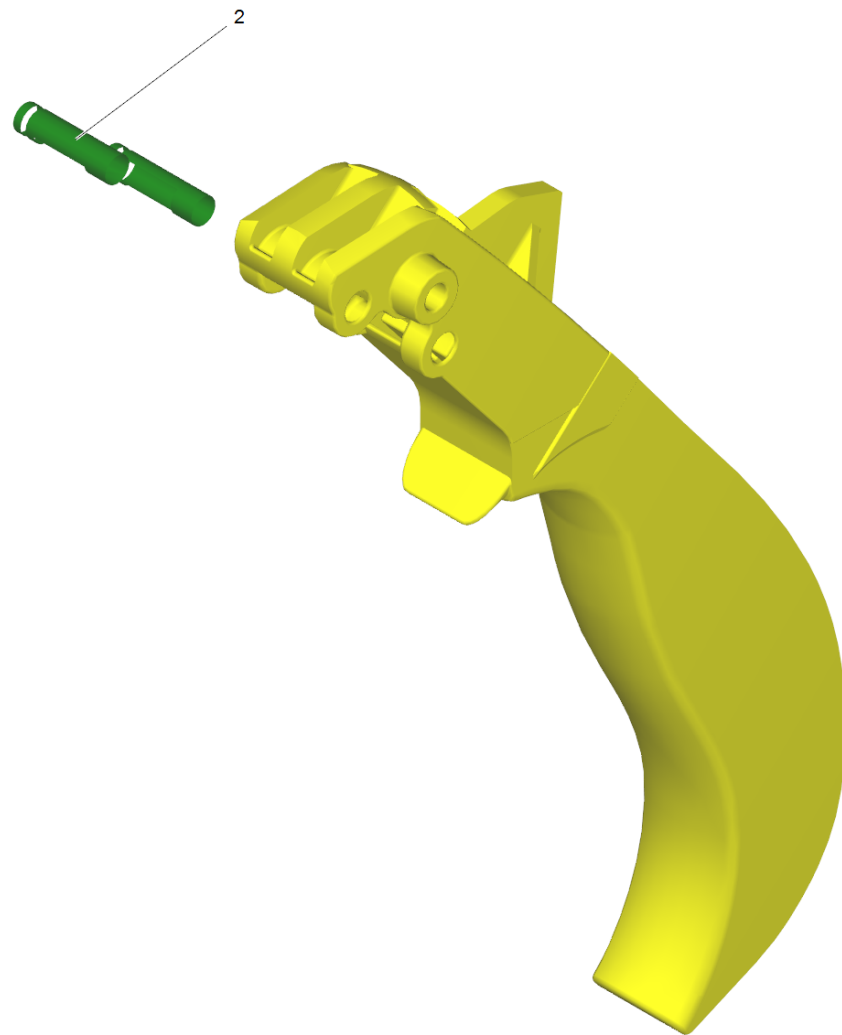
9000 Spare part set lever (2.885-483.0)

POS	Article no.	Description	Quantity	Unit
4	5.332-178.0	Helical spring	2	ST



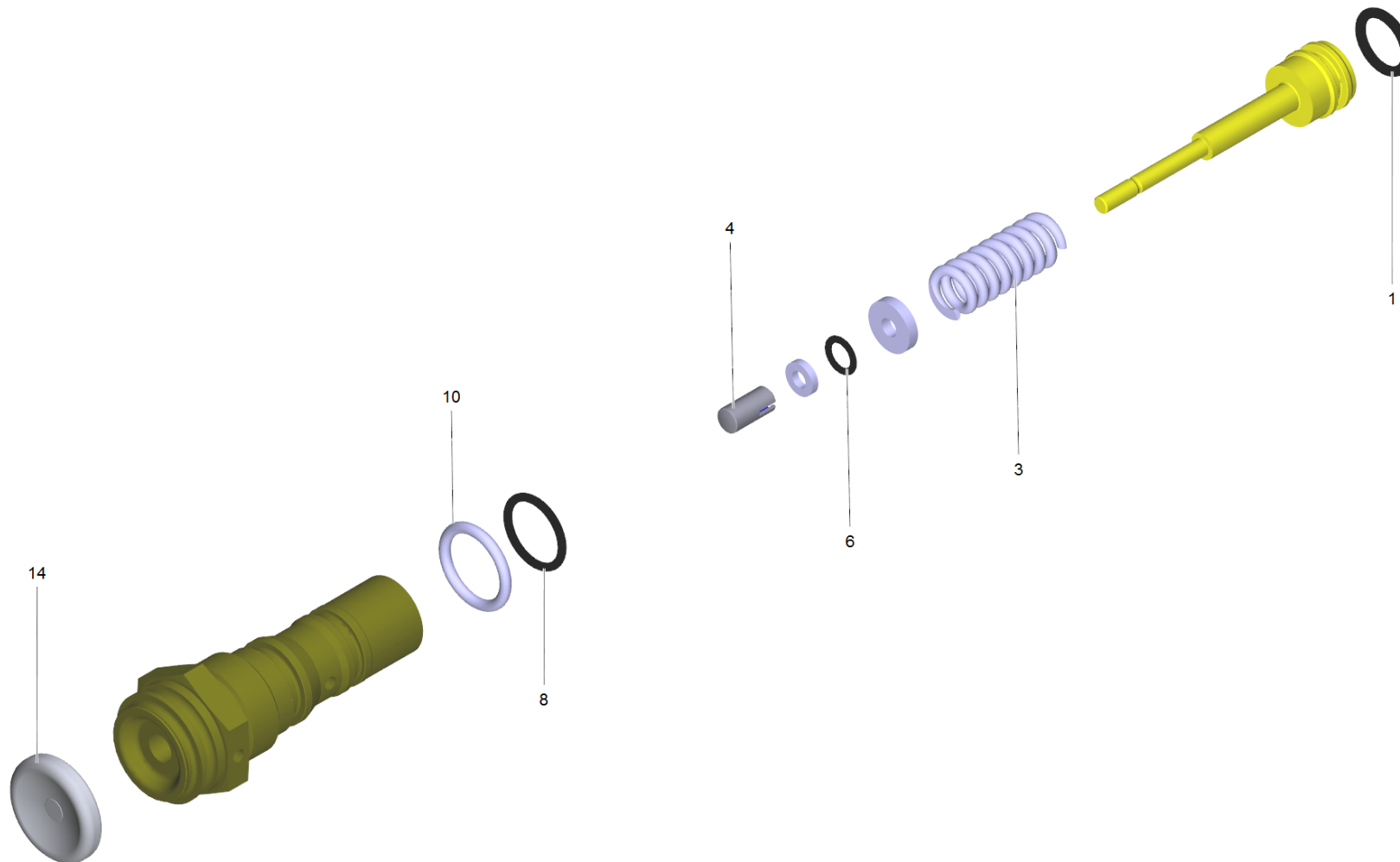
41 HAND TRIGGER GUN EASY PRESS (4.775-463.0)

POS	Article no.	Description	Quantity	Unit
2	4.037-013.0	Hook	1	ST
3	6.368-012.0	Protecting cap 22X1,5	1	ST
4	6.869-075.0	Metal bonding agent 1,5 ml	1	ST
cart_info_txt: This material is not available due to hazardous good regulation. Please procure this or a similar material from a local supplier of your choice.				
25	5.110-596.0	Sleeve	1	ST
32	5.321-669.3	Handhold few	1	ST
34	5.481-331.0	Slider	1	ST
45	7.303-096.0	Screw 4x22 -ST-10.9-R2R (IN6RD)	7	ST
1041	6.288-044.0	Silicon grease 100 G	1	ST
9001	4.427-215.0	Manifold complete only for replacement	1	ST
9002	4.481-209.0	Lever complete	1	ST



9002 Lever complete (4.481-209.0)

POS	Article no.	Description	Quantity	Unit
2	5.314-119.0	Pin	2	ST

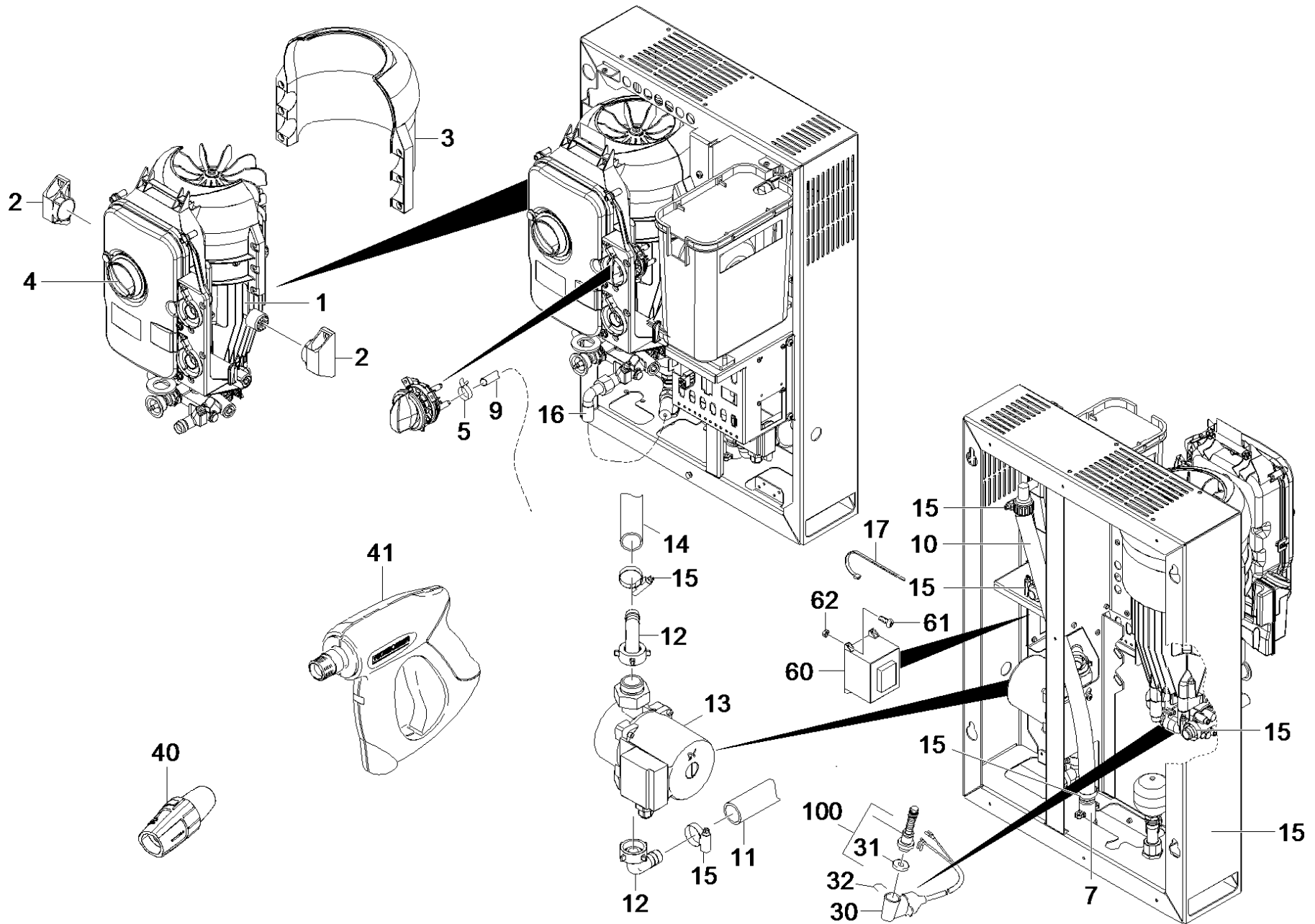


100 Spare part set control piston (2.885-226.0)

POS	Article no.	Description	Quantity	Unit
1	6.363-350.0	O-Ring seal 8.74x1.78	1	ST
3	5.332-511.0	Helical spring	1	ST
4	5.110-947.0	Sleeve	1	ST
6	6.363-330.0	O-Ring seal 2,9 x 1,78	1	ST
8	6.363-452.0	O-Ring seal 11 x 1,5	1	ST
10	6.363-519.0	O-Ring seal 12,00x 2,00	1	ST
14	5.367-030.0	Diaphragm	1	ST

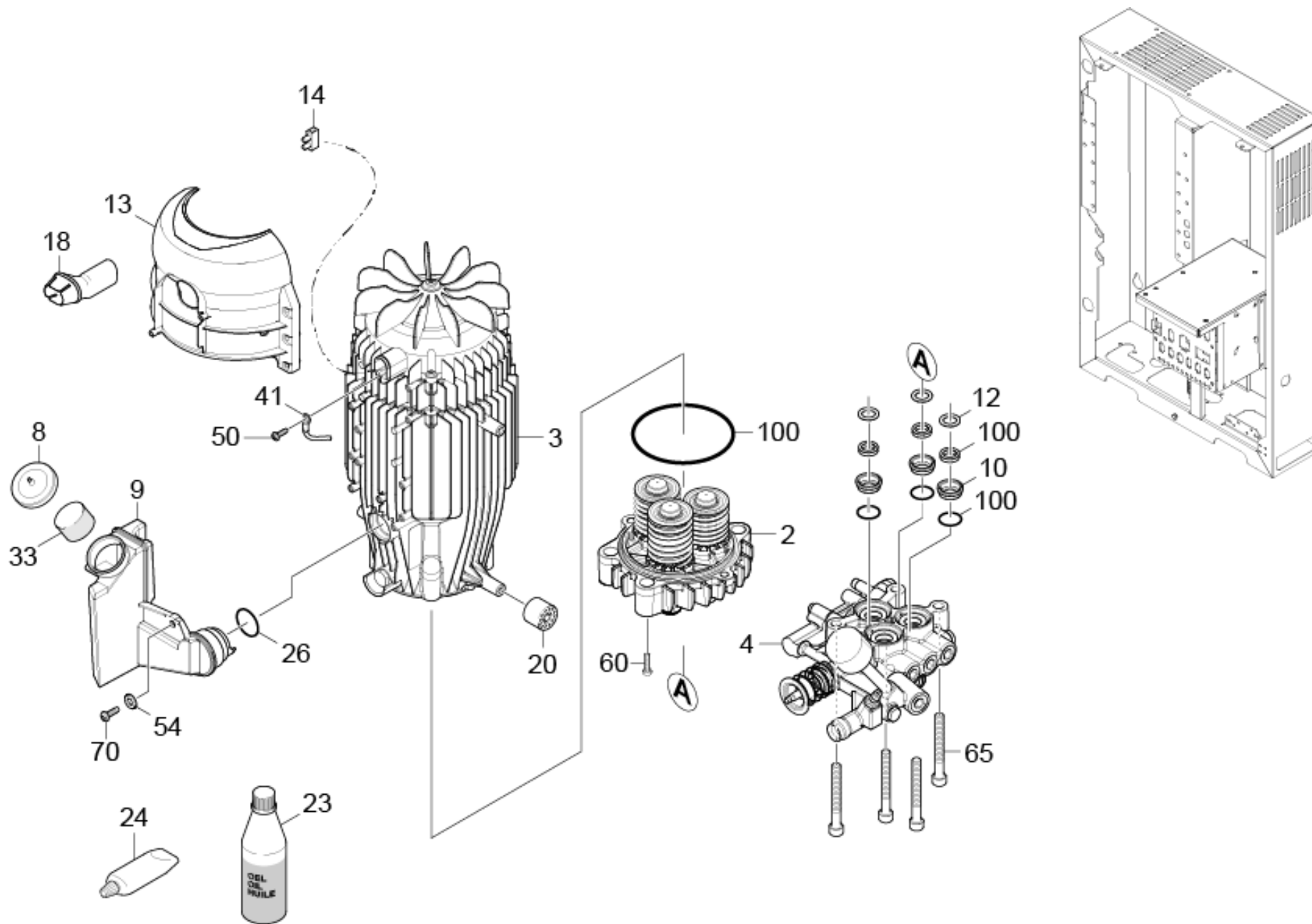
40 Pump set complete HD 7/16-4 ST-H 380-440V 60Hz

POS	Article no.	Description	Quantity	Unit
1000	2.532-002.3	Spare parts list pump set complete HD 7/	1	ST



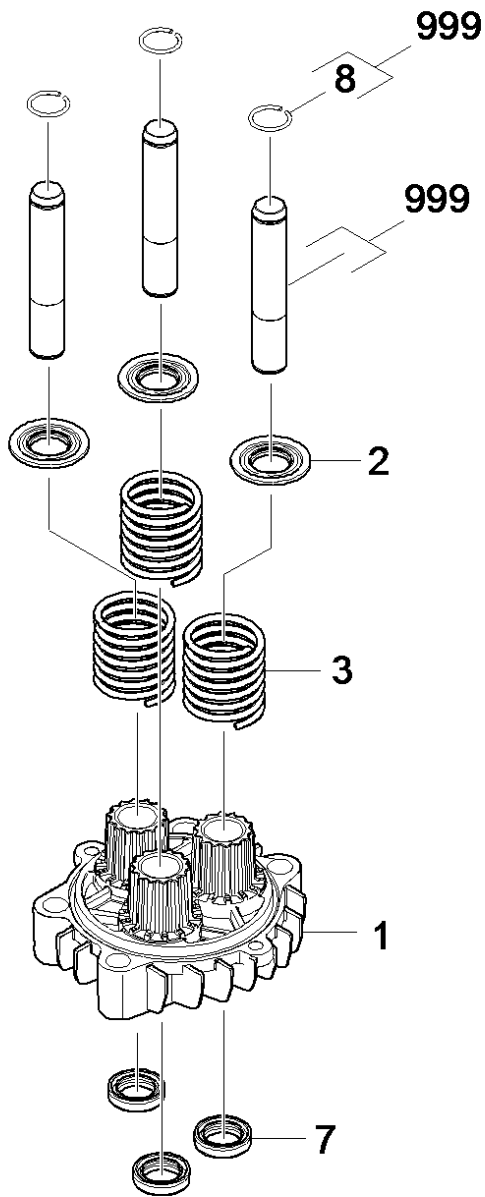
1000 Spare parts list pump set complete HD 7/ (2.532-002.3)

POS	Article no.	Description	Quantity	Unit	Remark
1		Pump set HD 7/16-4 ST-H 60Hz	1	ST	
2	5.044-891.0	Holder	2	ST	
3	2.885-228.0	Spare part set air circulation	1	ST	
4		Electric control box HD 7/16-4 ST 400V	1	ST	
5	6.390-133.0	Hose clip	2	ST	
6	7.306-190.0	Screw M6x8 -A2-70 (In6Rd)	2	ST	
7	5.427-432.0	Manifold	1	ST	
8	7.312-026.0	Washer 6 -A2 ISO 7089	2	ST	
9	6.388-247.0	Hose DN8 -PVC	0,44	M	
10	6.388-719.0	Hose DN17	0,57	M	
11	5.443-628.0	Hose	1	ST	
12	6.391-867.0	Elbow screw connector R1"	2	ST	
13	4.540-133.0	Circulation pump	1	ST	
14	6.388-293.0	Elbow hose	1	ST	
15	7.373-022.0	Hose clip A-16-27x9 -W2-2 DIN3017	6	ST	
16	6.392-198.0	Hose assembly DN8 40MPa 0,46m	1	ST	
17	6.641-465.0	Cable tape	1	ST	
30	4.744-242.0	Switch kpl. -nur für Ersatz-	1	ST	
31	5.367-030.0	Diaphragm	1	ST	
32	5.034-494.0	Retaining bracket	1	ST	
40	4.117-033.0	Triple jet nozzle TR 040	1	ST	1.524-950.2
40	4.767-150.0	Triple jet nozzle only for replacement 0	1	ST	1.524-500.2
41	4.118-005.0	EASY!Force Advanced	1	ST	1.524-950.2
41	4.775-463.0	HAND TRIGGER GUN EASY PRESS	1	ST	1.524-500.2
60	6.622-332.0	Control transformer 96VA - EI78/40,5 380	1	ST	
61	7.306-058.0	Screw M 4X 12- 8.8-R2R K-IN6RD	4	ST	
62	7.311-569.0	Square nut M4 -04-A2E DIN 562	4	ST	
100	2.885-226.0	Spare part set control piston	1	ST	



1 Pump set HD 7/16-4 ST-H 60Hz

POS	Article no.	Description	Quantity	Unit
2		Housing thrust guidance 10° HD 7/16-4 ST	1	ST
3	4.624-221.0	Motor complete only for replacement	1	ST
4		Cylinder head complete -H	1	ST
8	5.064-457.0	Cover plate qusty grey oil	1	ST
9	5.070-831.0	Tank oil	1	ST
10	5.112-885.0	Bush	3	ST
12	5.115-432.0	Washer	3	ST
13	2.885-228.0	Spare part set air circulation	1	ST
14	6.643-151.0	Strip terminal one-pole 16mm²	1	ZST
18	5.365-341.0	Profile gasket long	1	ST
20	5.767-005.0	Rubber buffer	4	ST
23	6.288-016.0	Gear oil 1L	1	ST
26	6.363-499.0	O-Ring seal 28,0x3,0	1	ST
33	5.132-187.0	Plug	1	ST
41	4.820-578.0	Cable green/yellow 1,5mm²x450mm	1	ST
50	7.303-031.0	Screw M4x10 -St-P2R (In6Rd)	1	ST
54	7.312-282.0	Washer 5 -A2 ISO 7093-1	1	ST
60	7.306-094.0	Screw M6x25 -8.8-R3R (In6Rd)	2	ST
65	7.306-807.0	Cylinder head screw M10x85-8.8-A3E ISO4	4	ST
70	6.303-320.0	Screw M 5x 20-St-R2R	1	ST
100	2.885-317.0	Pump set HD 7/16-4 ST-H	1	ST

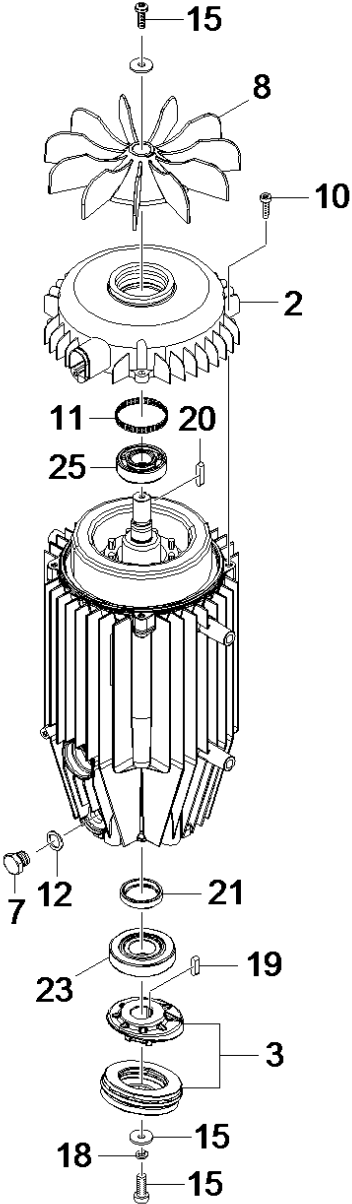


2 Housing thrust guidance 10° HD 7/16-4 ST

POS	Article no.	Description	Quantity	Unit
1	5.061-059.0	Housing	1	ST
2	5.116-134.0	Washer	3	ST
3	5.333-027.0	Helical spring	3	ST
7		Part at pump set	1	ST
8	7.343-473.0	Snap ring 18 -FST DIN 9925	3	ST
999	4.553-332.0	Spare part set piston complete	1	ST

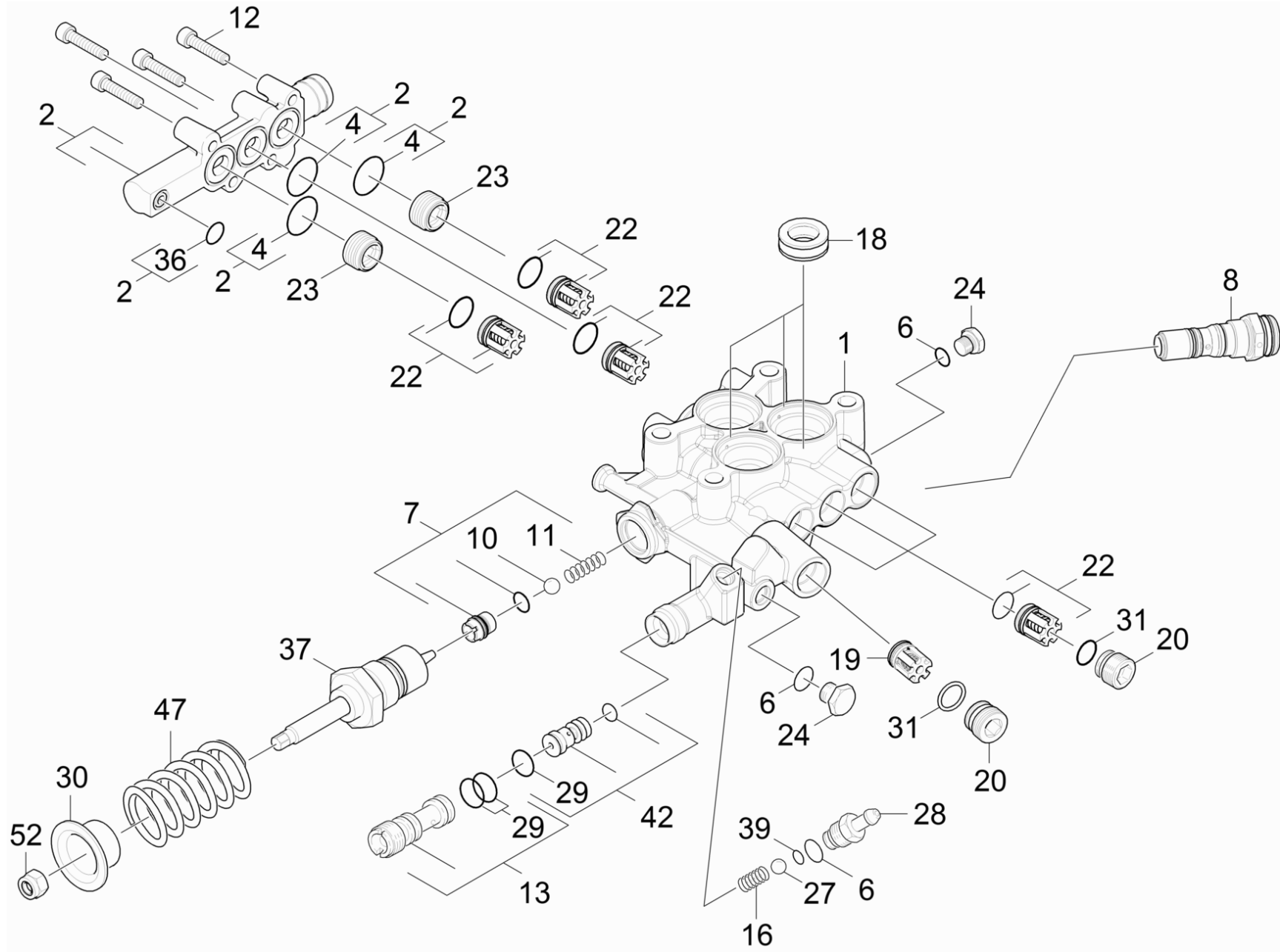
3 Motor complete only for replacement (4.624-221.0)

POS	Description	Quantity	Unit
1	Motor complete HD 7/16-4ST 60Hz	1	ST



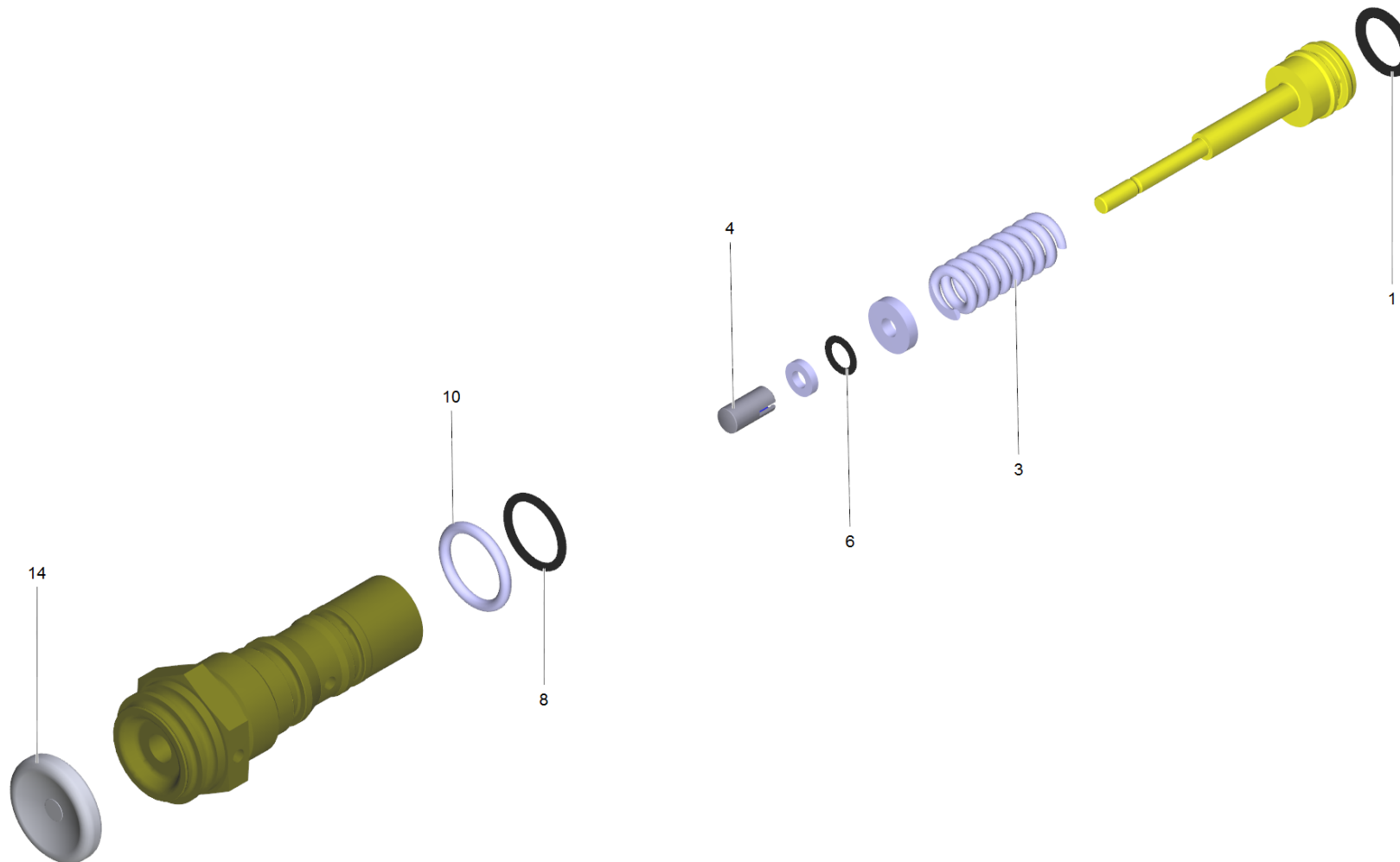
1 Motor complete HD 7/16-4ST 60Hz

POS	Article no.	Description	Quantity	Unit
2	5.063-707.0	Bearing cover B	1	ST
3	4.120-218.0	Wobble plate	1	ST
7	5.411-100.0	Screw plug	1	ST
8	5.600-046.0	Blower wheel	1	ST
10	6.303-265.0	Self-tapping screw M6x20	4	ST
	Item text2: 46233130			
11	6.343-171.0	Tolerance ring	1	ST
	Item text2: 46233130			
12	6.363-498.0	O-Ring seal 11,0x2,0 HNBR	1	ST
15	7.306-092.0	Screw M6x20-ST- 8.8-R3R (IN6RD)	2	ST
	Item text2: 46233130			
16	7.312-260.0	Washer 6 -100HV-A3E ISO 7094	2	ST
	Item text2: 46233130			
18	7.313-003.0	Spring washer B 6-FSt-A3E DIN 127	1	ST
	Item text2: 46233130			
19	7.318-070.0	Parallel key 5x5x20-C45K DIN 6885-1	1	ST
	Item text2: 46233130			
20	7.318-079.0	Parallel key A 5x5x25-C45K DIN 6885	1	ST
	Item text2: 46233130			
21	7.367-021.0	Radial shaft seal ring A30x40x7 -FKM DI	1	ST
	Item text2: 46233130			
23	6.401-399.0	Taper roller bearing	1	ST
24		Deep groove ball thrust bearing	1	ST
25	6.401-285.0	Ball bearing 6204 2RS	1	ST
	Item text2: 46233130			



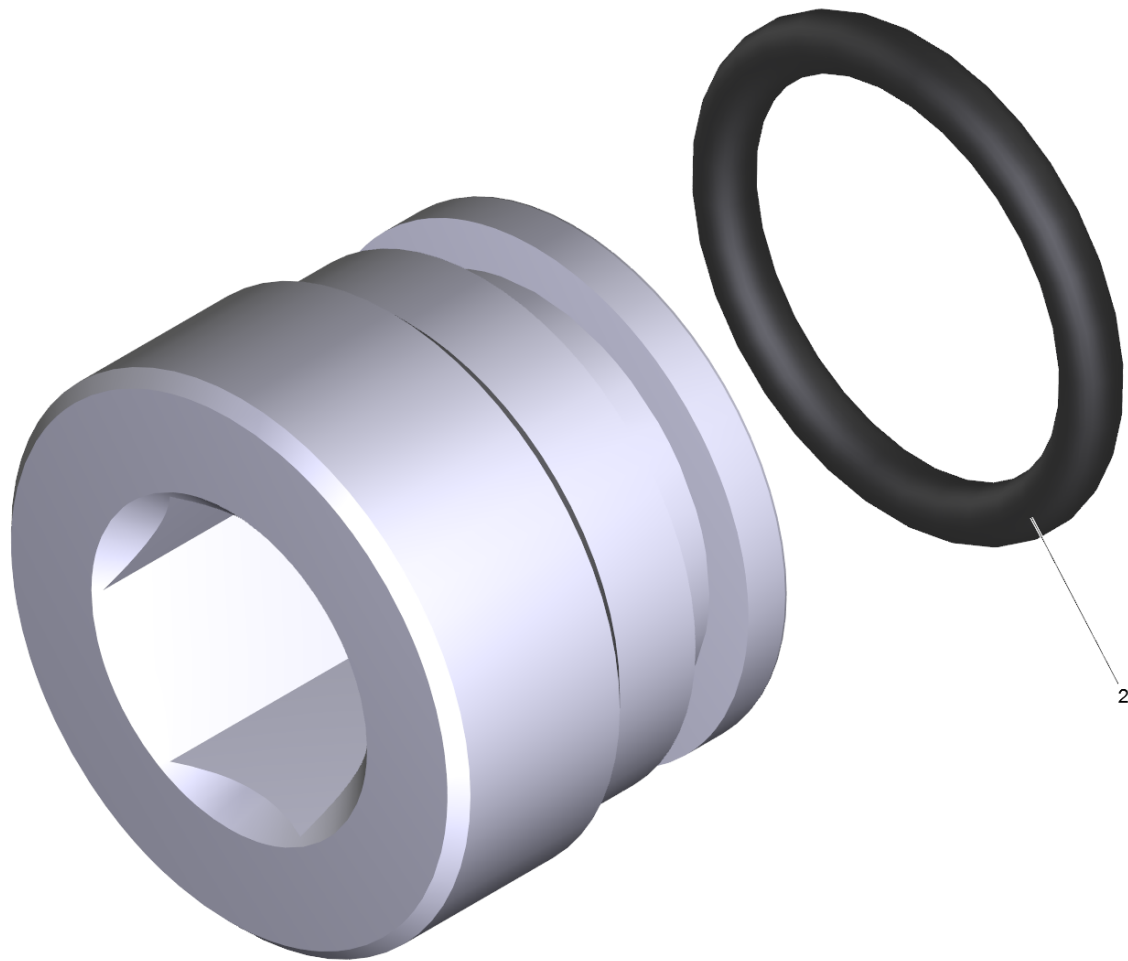
4 Cylinder head complete -H

POS	Article no.	Description	Quantity	Unit
1	4.550-976.0	Spare part set cylinder head HD	1	ST
2	4.064-023.0	Suction cover complete only for replacem	1	ST
4		Part at pump set	1	ST
6		Part at pump set	1	ST
7	4.481-256.0	Valve seat complete	1	ST
8	2.885-226.0	Spare part set control piston	1	ST
10	7.401-907.0	Sphere 3/8 G200-1.4301 DIN 5401	1	ST
11	5.332-999.0	Helical spring	1	ST
12	7.306-024.0	Cylinder head screw M6x30 -8.8-A2E ISO4762	4	ST
13	4.769-059.0	Nozzle insert complete	1	ST
16	5.332-258.0	Helical spring	1	ST
17	5.115-999.0	Washer	1	ST
18		Part at pump set	1	ST
19		Part at pump set	1	ST
20	4.483-002.0	Valve screw	4	ST
22		Part at pump set	1	ST
23	5.583-177.0	Valve screw M20x1	2	ST
24	5.411-070.0	Screw plug	2	ST
27	7.401-908.0	Sphere 7 G300 -1.4301 DIN 5401	1	ST
28	5.443-370.0	Nipple	1	ST
29	6.363-331.0	O-Ring seal 9,0 x 1,5	3	ST
30	5.112-757.0	Bush	1	ST
31		Part at pump set	1	ST
36		Part at pump set	1	ST
37	2.885-227.0	Spare part set overflow valve	1	ST
39	6.363-489.0	O-Ring seal 5,28x1,78	1	ST
42	2.885-230.0	Spare part set nozzle insert only for re	1	ST
47	5.332-530.0	Helical spring	1	ST
52	7.311-510.0	Hexagon nut M 8-8-A2E ISO 7040	1	ST



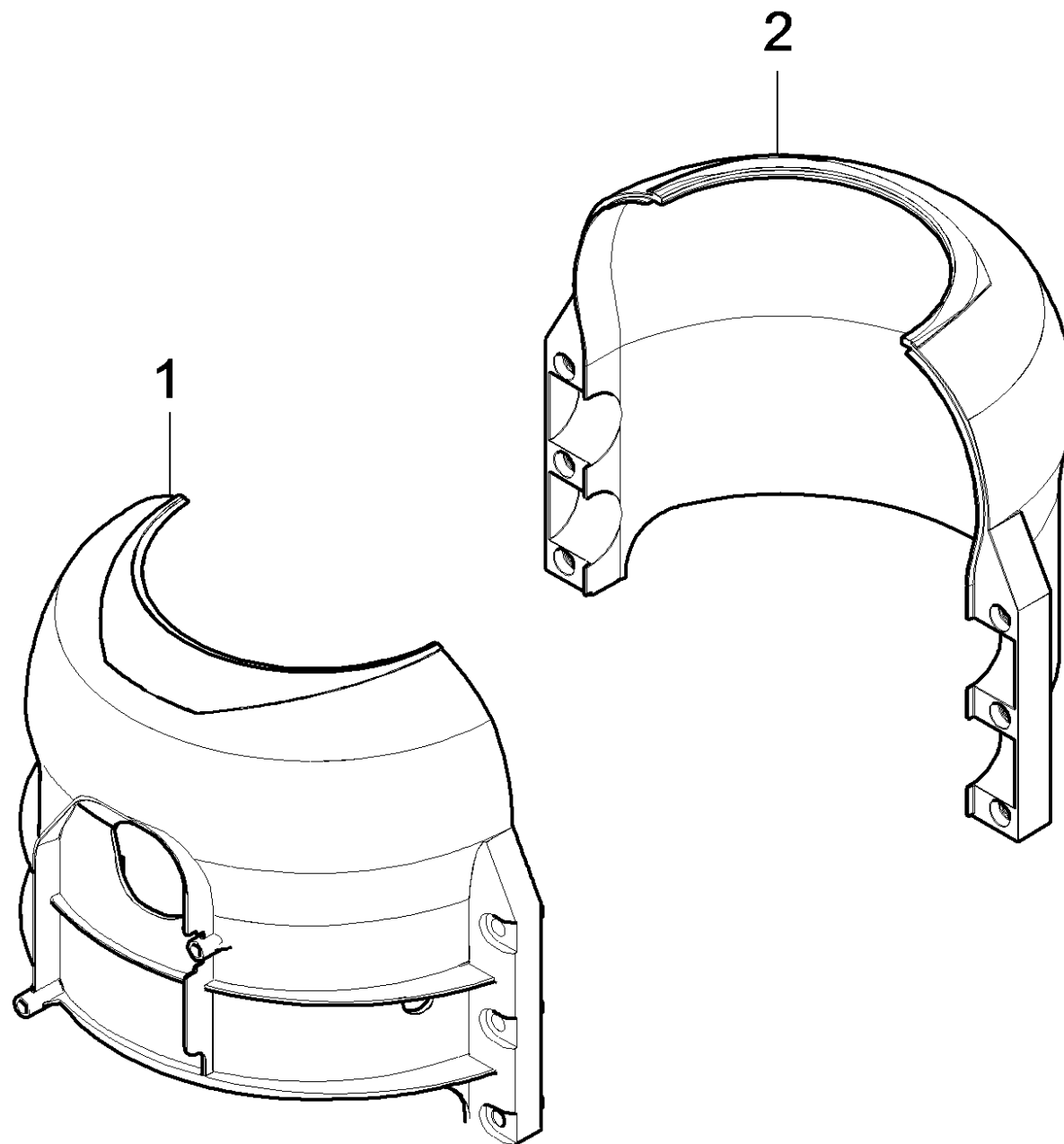
8 Spare part set control piston (2.885-226.0)

POS	Article no.	Description	Quantity	Unit
1	6.363-350.0	O-Ring seal 8.74x1.78	1	ST
3	5.332-511.0	Helical spring	1	ST
4	5.110-947.0	Sleeve	1	ST
6	6.363-330.0	O-Ring seal 2,9 x 1,78	1	ST
8	6.363-452.0	O-Ring seal 11 x 1,5	1	ST
10	6.363-519.0	O-Ring seal 12,00x 2,00	1	ST
14	5.367-030.0	Diaphragm	1	ST



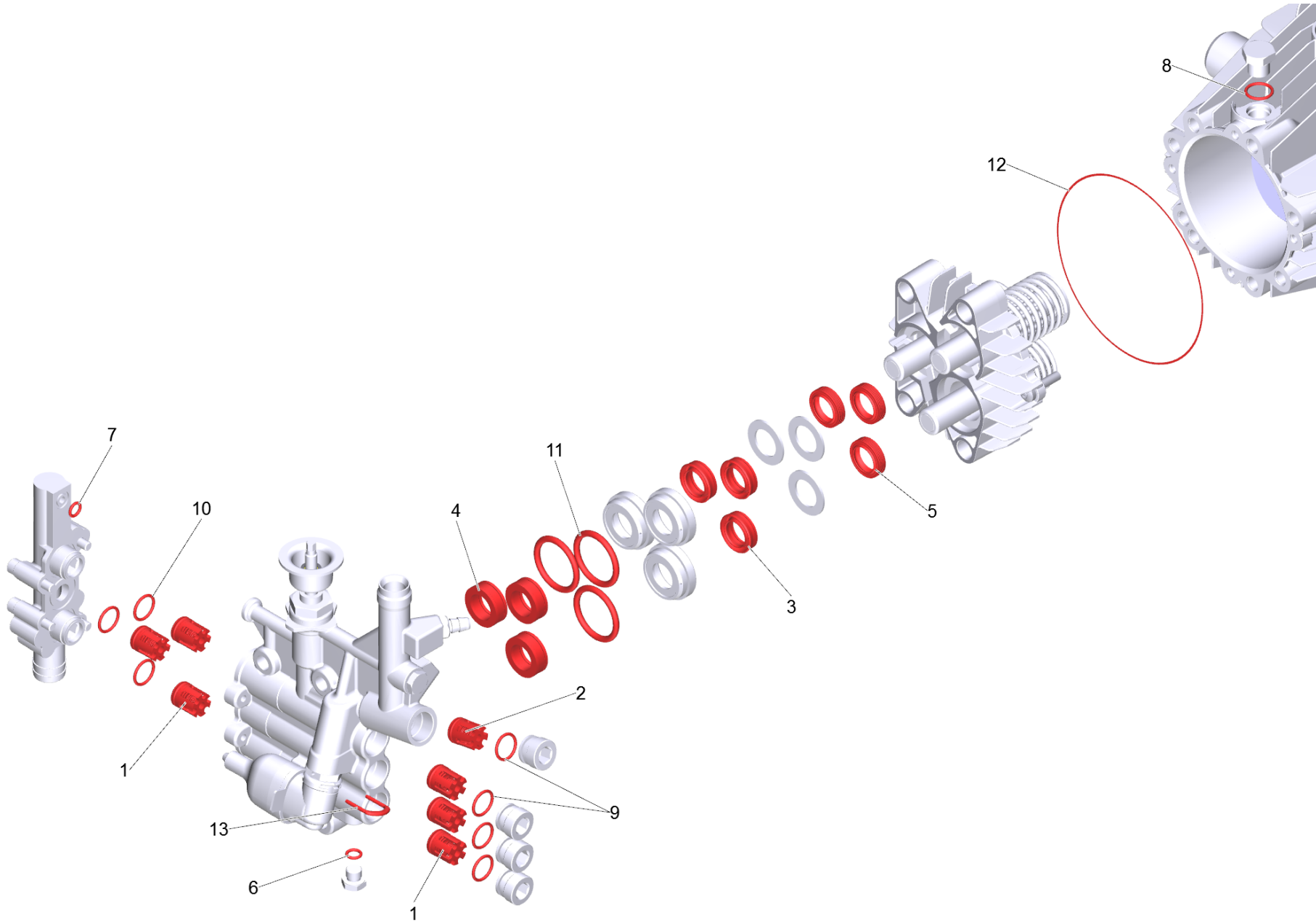
20 Valve screw (4.483-002.0)

POS	Article no.	Description	Quantity	Unit
2	6.363-459.0	O-Ring seal 14 x 2	1	ST



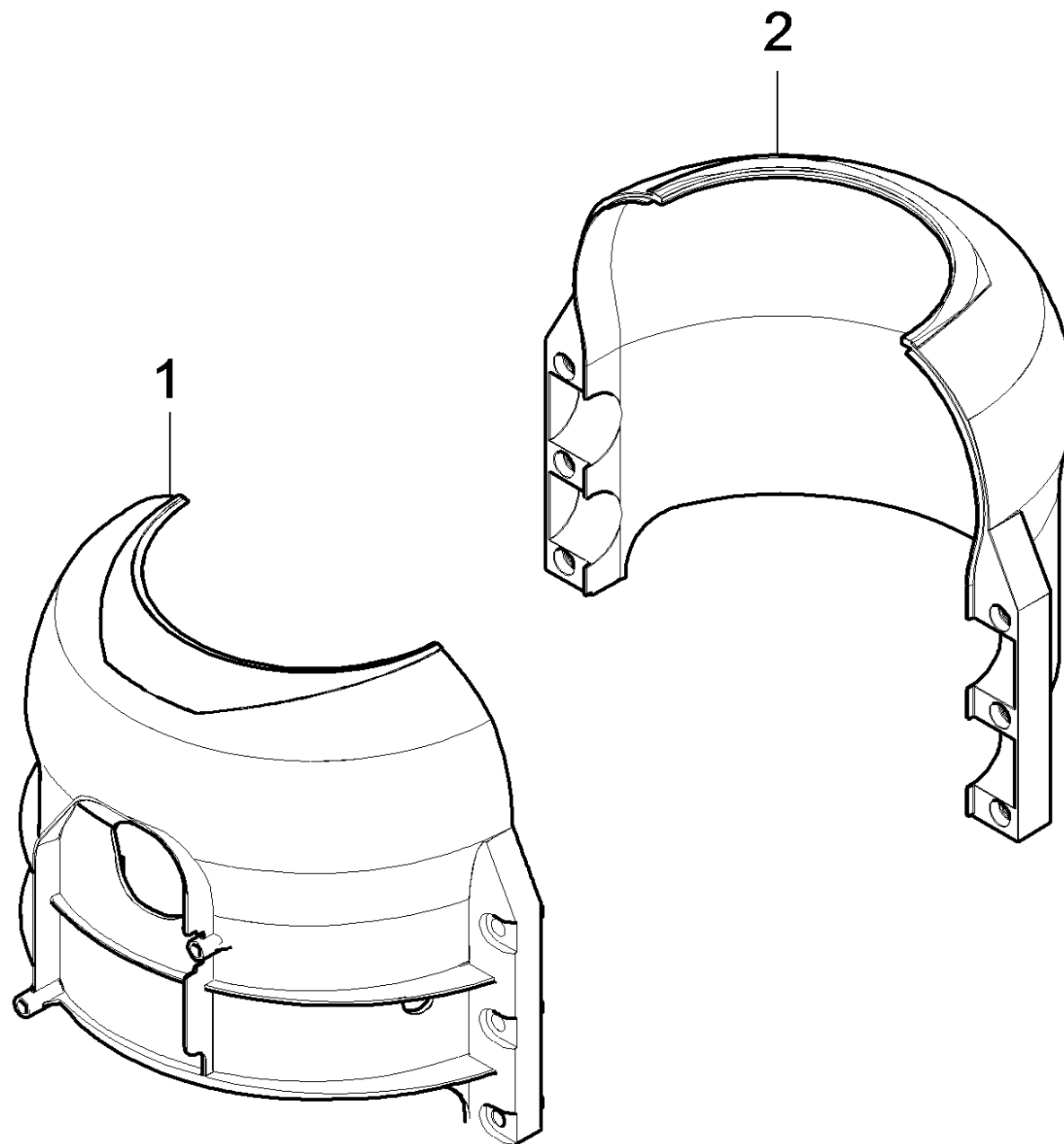
13 Spare part set air circulation (2.885-228.0)

POS	Description	Quantity	Unit
1	Air circulation front	1	ST
2	Air circulation rear	1	ST



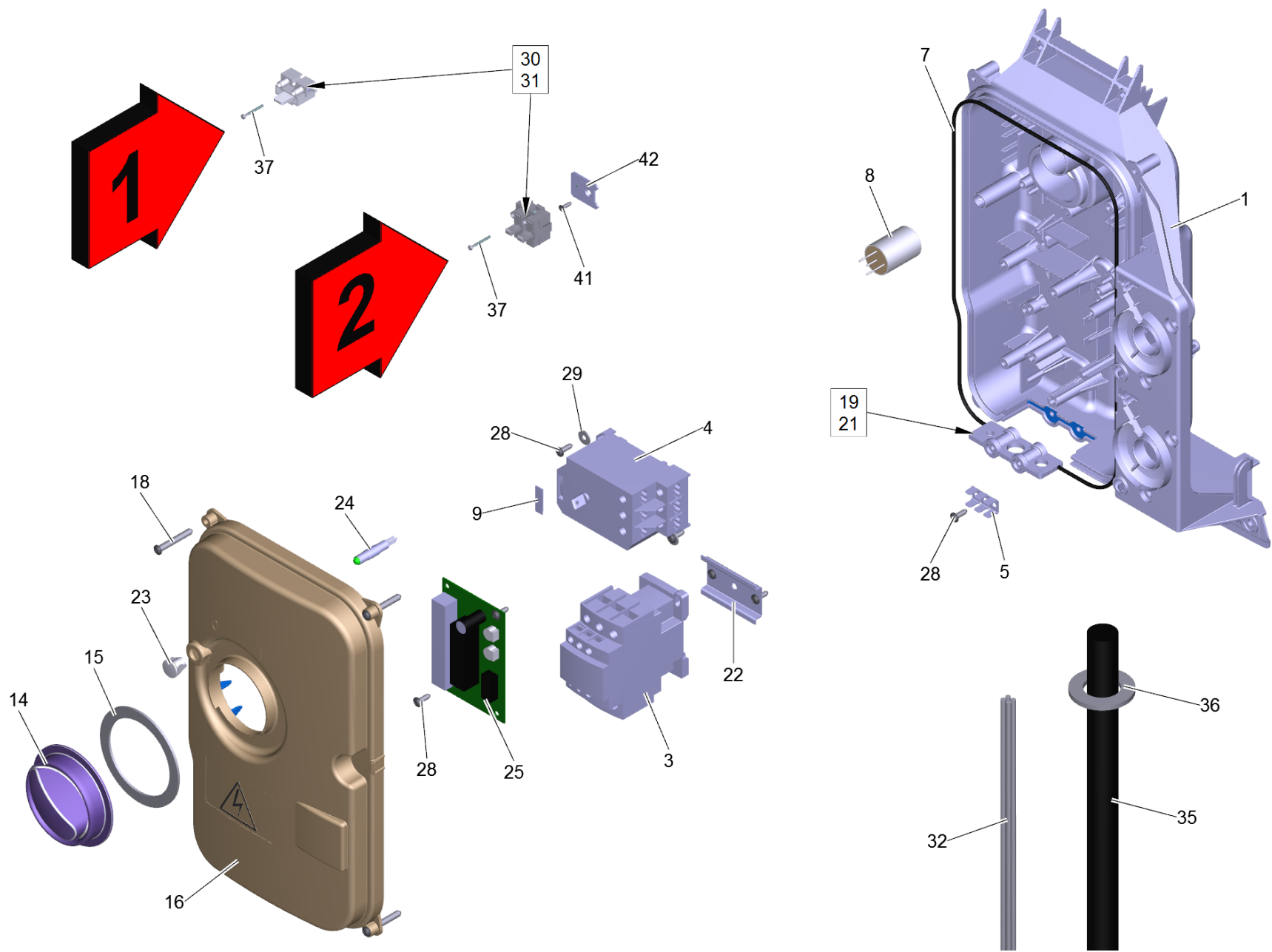
100 Pump set HD 7/16-4 ST-H (2.885-317.0)

POS	Article no.	Description	Quantity	Unit
1	2.885-139.0	Valve (3Stueck)	2	ST
2	4.580-734.0	Valve complete	1	ST
3	2.885-432.0	Set of gaskets ND PTFE (3x)	1	ST
4	2.885-237.0	Set of gaskets high pressure W1 (3 Stuec	1	ST
5	6.365-560.0	Grooved ring 18x26x7/6	3	ST
6	6.363-496.0	O-Ring seal 7,0x2,0	3	ST
7	6.363-492.0	O-Ring seal 8,0x1,5	1	ST
8	6.363-498.0	O-Ring seal 11,0x2,0 HNBR	1	ST
9	6.363-459.0	O-Ring seal 14 x 2	3	ST
10	6.363-494.0	O-Ring seal 20,0x1,5	3	ST
11	6.363-462.0	O-Ring seal 33,05 x 1,78	3	ST
12	6.363-618.0	O-Ring seal 88.57 x 2.62 HNBR 70 Shore	1	ST
13	5.034-494.0	Retaining bracket	1	ST
14	6.288-072.0	Silicon grease	1	ST



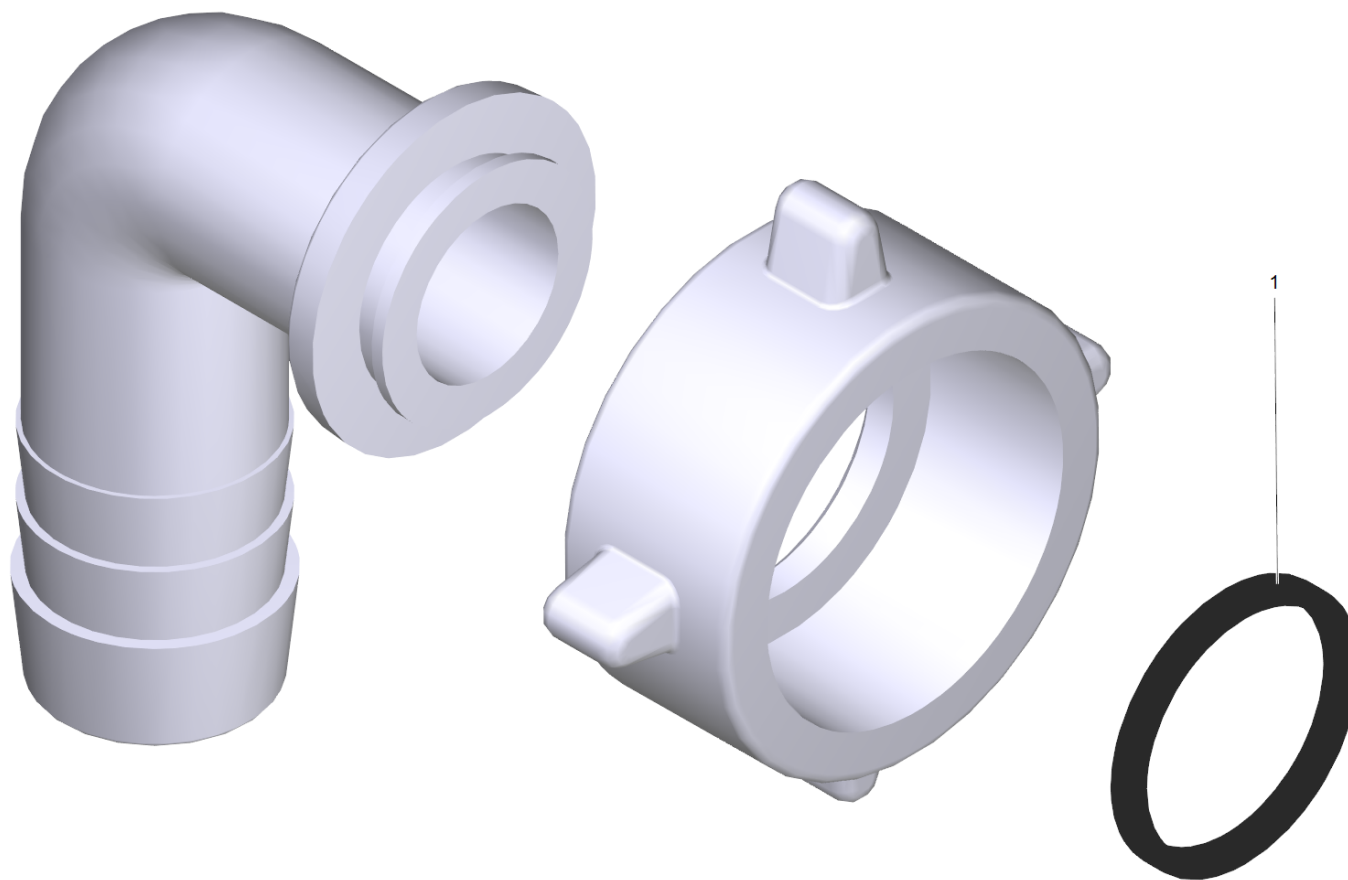
3 Spare part set air circulation (2.885-228.0)

POS	Description	Quantity	Unit
1	Air circulation front	1	ST
2	Air circulation rear	1	ST



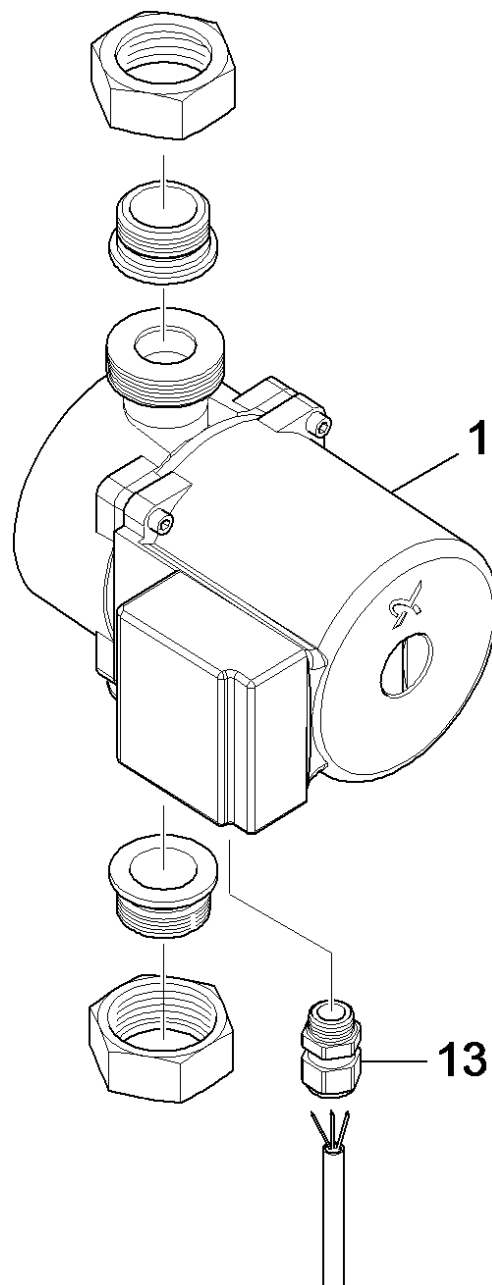
4 Electric control box HD 7/16-4 ST 400V

POS	Article no.	Description	Quantity	Unit	Foot note text
1	5.062-336.0	Housing electric control box	1	ST	
3	4.632-002.0	Contacteur -nur fuer Ersatz-	1	ST	
4	6.631-190.0	Motor protecting switch	1	ST	
5	6.641-270.0	Plug	1	ST	
7	6.273-037.0	Seal string cellular rubber 3	0,8	M	
8	6.661-302.0	Interference suppressor triple-pole	1	ST	
9	6.630-049.0	Cap	1	ST	
14	5.321-692.0	Handle	1	ST	
15	5.363-616.0	Joint ring	1	ST	
16	5.064-413.0	Cover electric control box	1	ST	
18	7.303-085.0	Screw 4x 35 -10.9-R2R (K-In6Rd)	4	ST	
19	5.263-101.0	Tensioning part 10.5/14/7	2	ST	
21		Sheet metal screw ST3,9x45 -St-A2K-C-H I	2	ST	
22	5.802-261.0	Mounting part	1	ST	
23	6.651-506.0	Lens housing	1	ST	
24	6.651-505.0	Pilot lamp	1	ST	
25	6.984-610.0	Circuit board control system HD-ST	1	ST	
28	7.303-106.0	Screw 4x12 -10.9-R2R (IN6RD)	7	ST	
29	7.312-281.0	Washer 4 -200HV-A2E ISO7093-1	2	ST	
30	6.643-336.0	Strip terminal	2	ST	VERSION 1
30	6.643-471.0	Strip terminal with fuse	2	ST	VERSION 2
31	6.644-070.0	Fuse insert medium time-lag G-5,0A	2	ST	
32	6.649-844.0	Cable harness HD-ST	1	ST	
35	6.649-442.0	Cable with plug	1	ST	
36	7.312-098.0	Washer 27 -PA6.6-Natur ISO 7089	1	ST	
37	6.303-245.0	Cylinder head screw 3X18-ST-A2E	1	ST	VERSION 1
37	7.306-045.0	Screw M2x20 -4.8-A2K DIN 84	1	ST	VERSION 2
41	7.303-119.0	Countersunk screw 3x10 -10.9-R2R (In6Rd)	1	ST	VERSION 2
42	5.013-470.0	Plate clamp	1	ST	VERSION 2



12 Elbow screw connector R1" (6.391-867.0)

POS	Article no.	Description	Quantity	Unit
1	6.362-358.0	Seal	1	ST

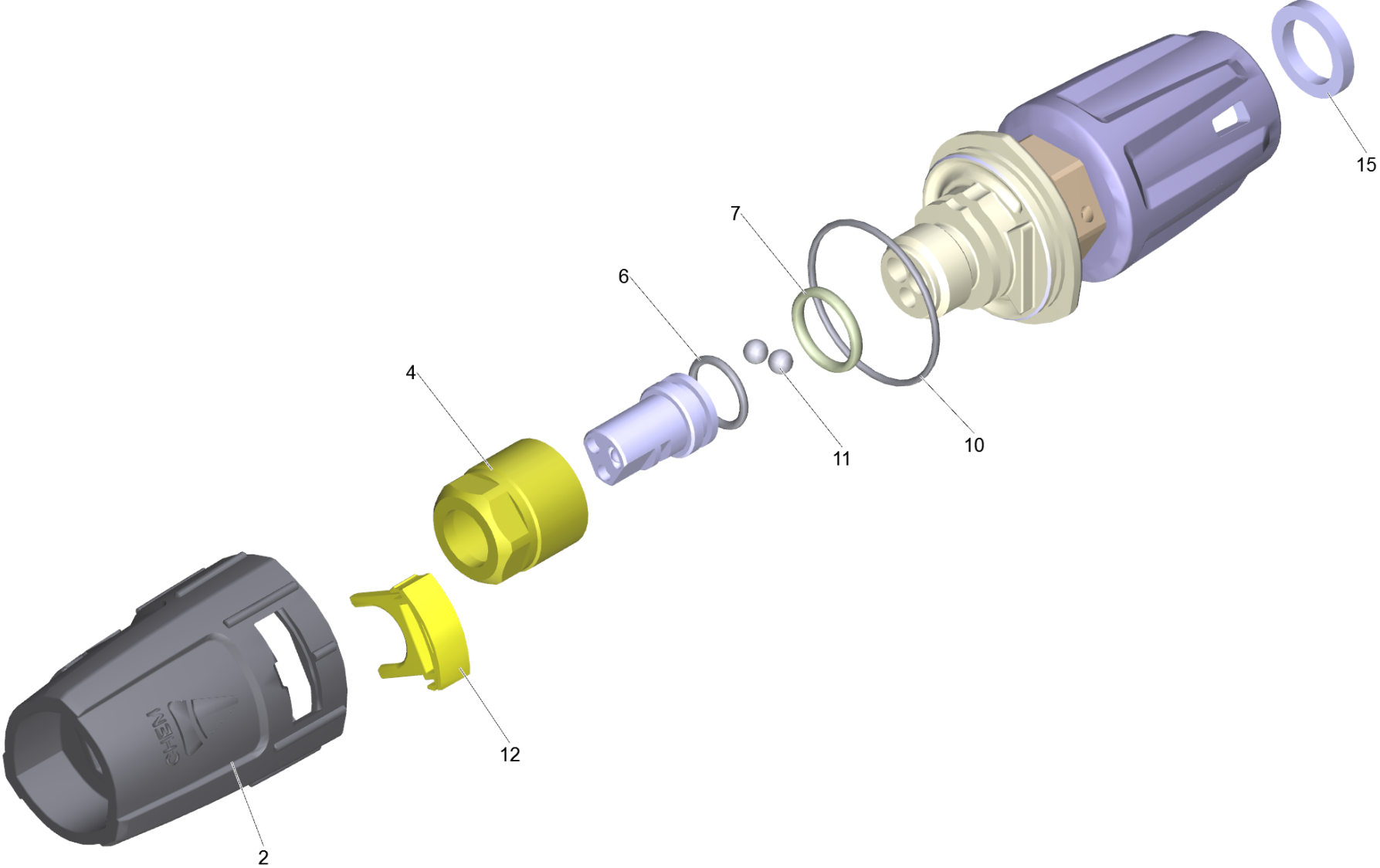


13 Circulation pump (4.540-133.0)

POS	Article no.	Description	Quantity	Unit
1	6.473-533.0	Admission pressure pump one-pole	1	ST
13	6.641-357.0	Cable gland PG11	1	ST

40 Triple jet nozzle TR 040 (4.117-033.0)

POS	Description	Quantity	Unit
1	Triple jet nozzle TR 040	1	ST

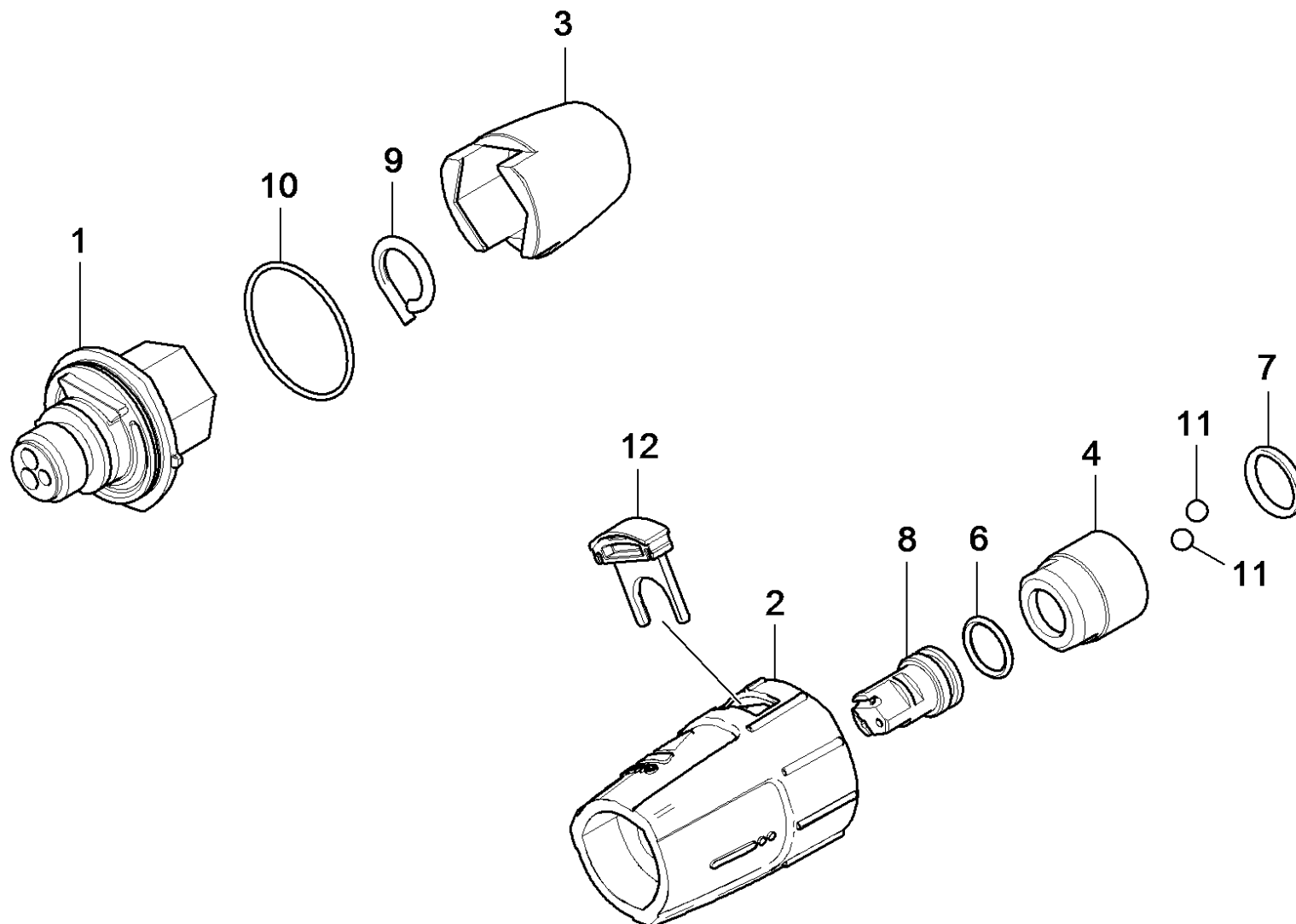


1 Triple jet nozzle TR 040

POS	Article no.	Description	Quantity	Unit
2	5.394-859.0	Protection part	1	ST
4	5.311-225.0	Nut	1	ST
6	6.362-480.0	O-Ring seal 12,42x 1,78	1	ST
7	6.362-460.0	O-Ring seal 14,0 X 2,5-NBR 70	1	ST
10	6.362-409.0	O-Ring seal 32,0 X 1,5	1	ST
11	7.401-902.0	Sphere 5 G20 -1.4034 DIN 5401	2	ST
12	5.321-884.0	Clamp	1	ST
15	6.363-696.0	Brake ring 14x20x3	1	ST

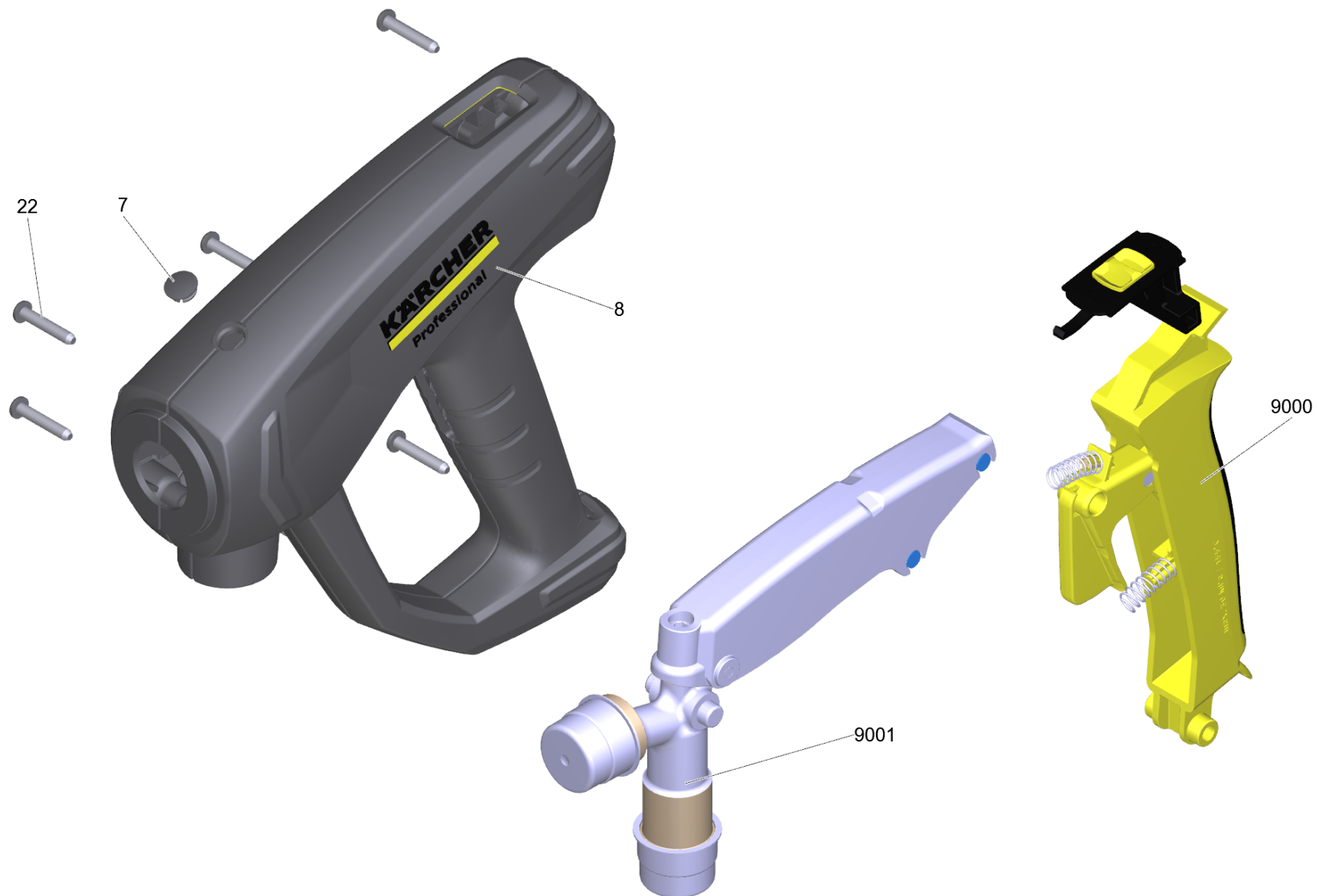
40 Triple jet nozzle only for replacement 0 (4.767-150.0)

POS	Article no.	Description	Quantity	Unit
1	4.767-136.0	Triple jet nozzle 040	1	ST



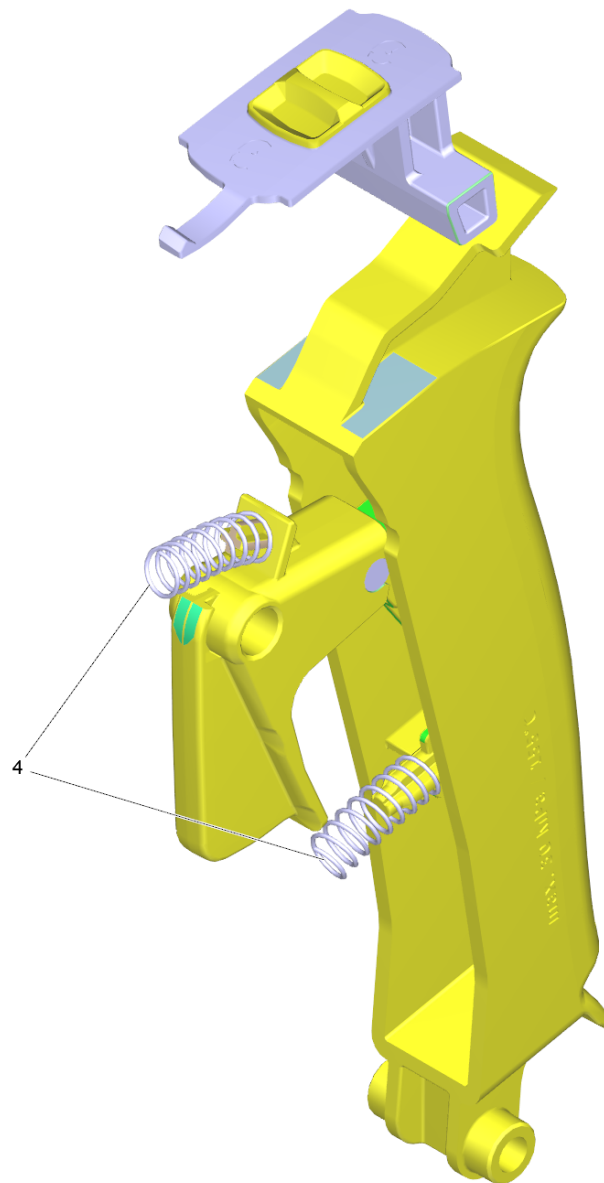
1 Triple jet nozzle 040 (4.767-136.0)

POS	Article no.	Description	Quantity	Unit
2	5.394-859.0	Protection part	1	ST
3	5.394-530.0	Protection part complete	1	ST
4	5.311-225.0	Nut	1	ST
6	6.362-480.0	O-Ring seal 12,42x 1,78	1	ST
7	6.362-460.0	O-Ring seal 14,0 X 2,5-NBR 70	1	ST
8	5.415-603.0	Triple jet nozzle 040	1	ST
9	6.343-150.0	Pin 03	1	ST
10	6.362-409.0	O-Ring seal 32,0 X 1,5	1	ST
11	7.401-902.0	Sphere 5 G20 -1.4034 DIN 5401	2	ST
12	5.321-884.0	Clamp	1	ST



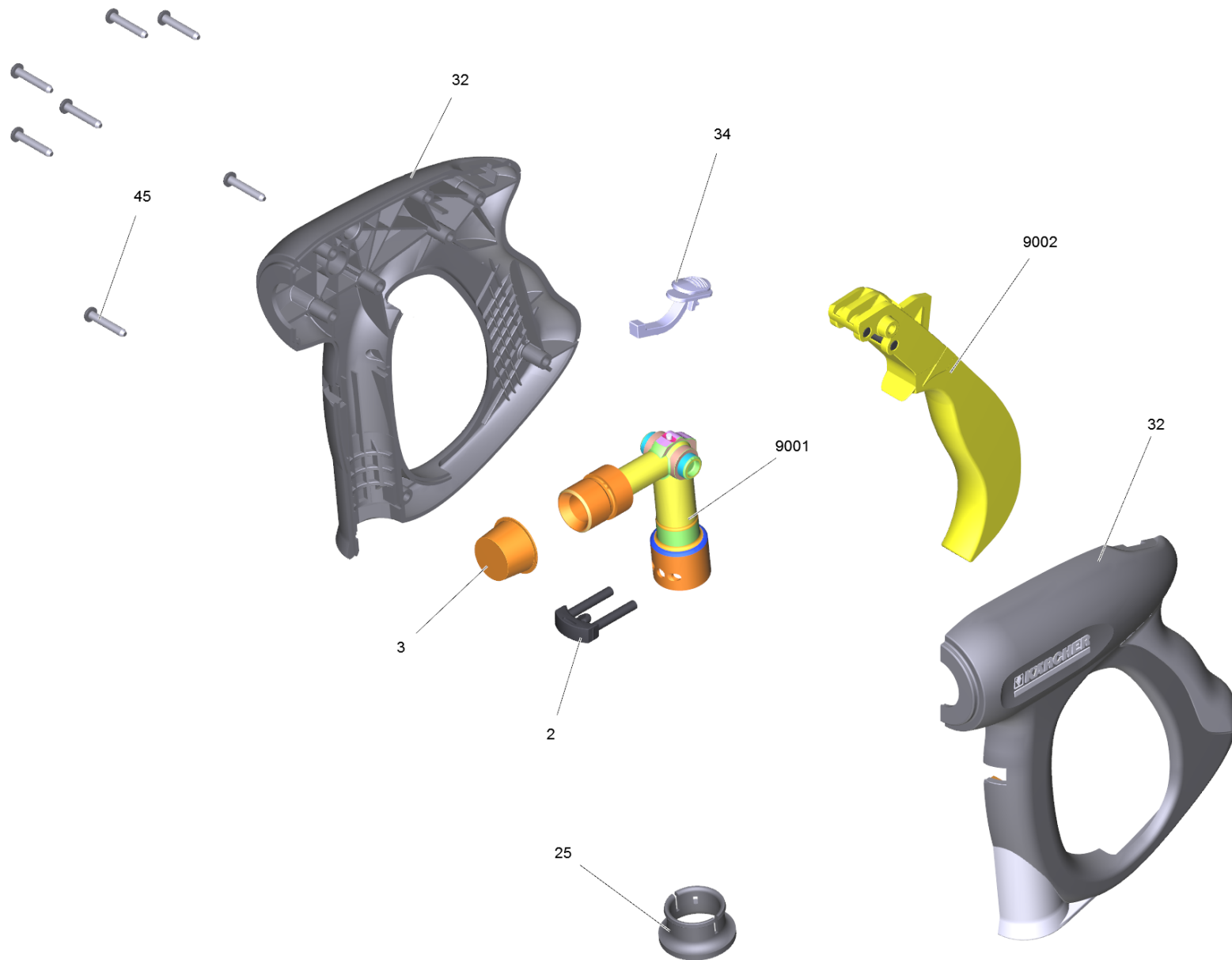
41 EASY!Force Advanced (4.118-005.0)

POS	Article no.	Description	Quantity	Unit
7	5.132-001.0	Plug	1	ST
8	5.321-136.3	Handhold few EH 155 only for replacement	1	ST
22	7.303-096.0	Screw 4x22 -ST-10.9-R2R (IN6RD)	7	ST
9000	2.885-483.0	Spare part set lever	1	ST
9001	4.427-014.0	Manifold TR EH 155 nur fuer Ersatz	1	ST



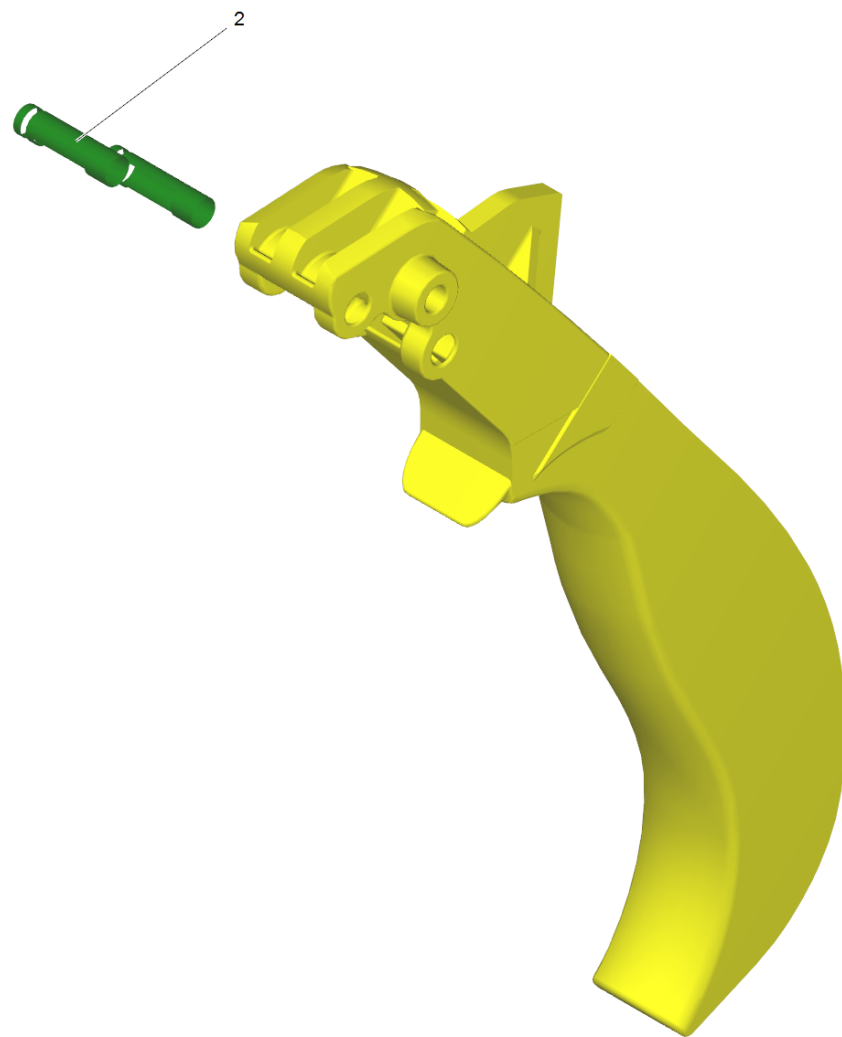
9000 Spare part set lever (2.885-483.0)

POS	Article no.	Description	Quantity	Unit
4	5.332-178.0	Helical spring	2	ST



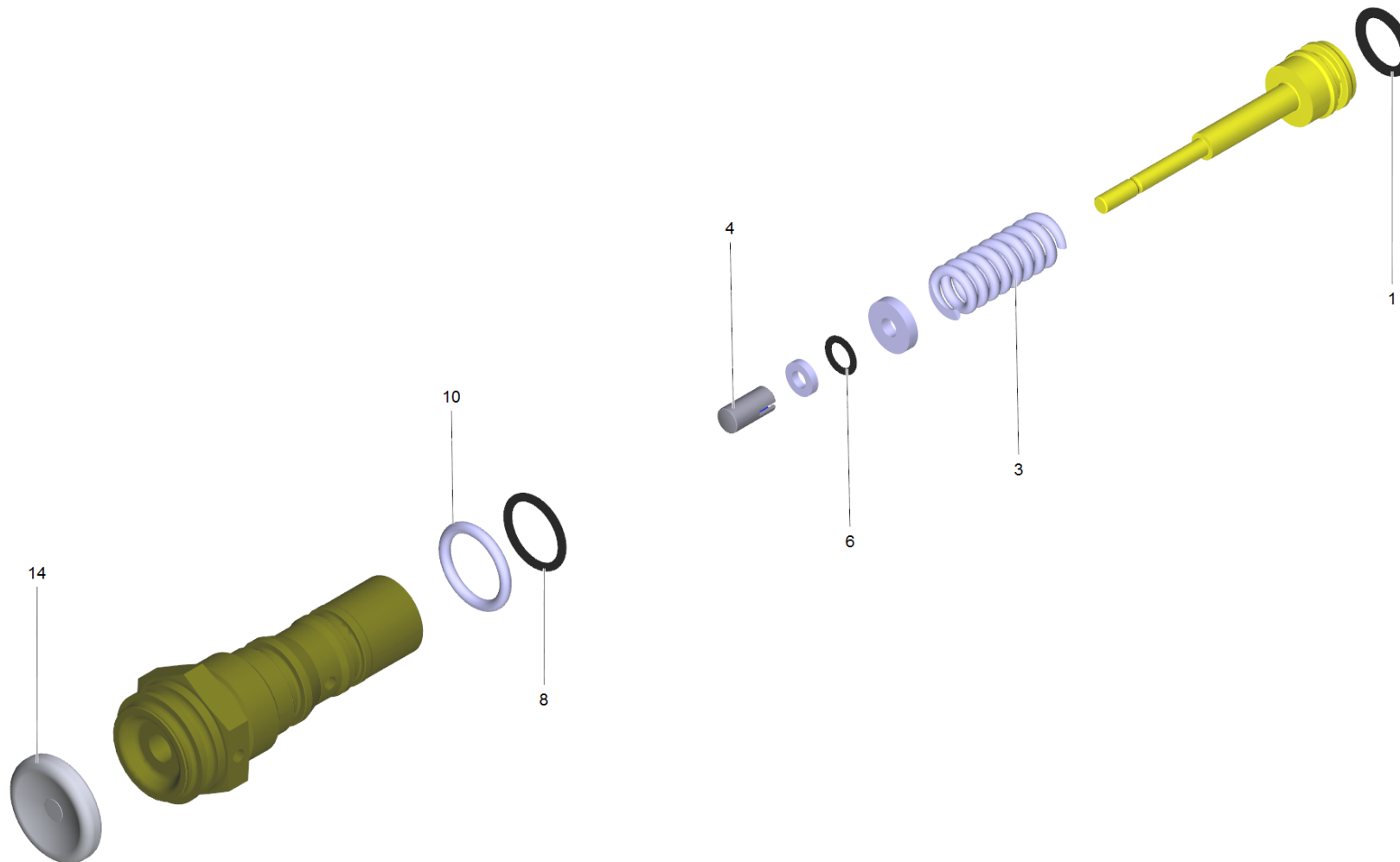
41 HAND TRIGGER GUN EASY PRESS (4.775-463.0)

POS	Article no.	Description	Quantity	Unit
2	4.037-013.0	Hook	1	ST
3	6.368-012.0	Protecting cap 22X1,5	1	ST
4	6.869-075.0	Metal bonding agent 1,5 ml	1	ST
cart_info_txt: This material is not available due to hazardous good regulation. Please procure this or a similar material from a local supplier of your choice.				
25	5.110-596.0	Sleeve	1	ST
32	5.321-669.3	Handhold few	1	ST
34	5.481-331.0	Slider	1	ST
45	7.303-096.0	Screw 4x22 -ST-10.9-R2R (IN6RD)	7	ST
1041	6.288-044.0	Silicon grease 100 G	1	ST
9001	4.427-215.0	Manifold complete only for replacement	1	ST
9002	4.481-209.0	Lever complete	1	ST



9002 Lever complete (4.481-209.0)

POS	Article no.	Description	Quantity	Unit
2	5.314-119.0	Pin	2	ST

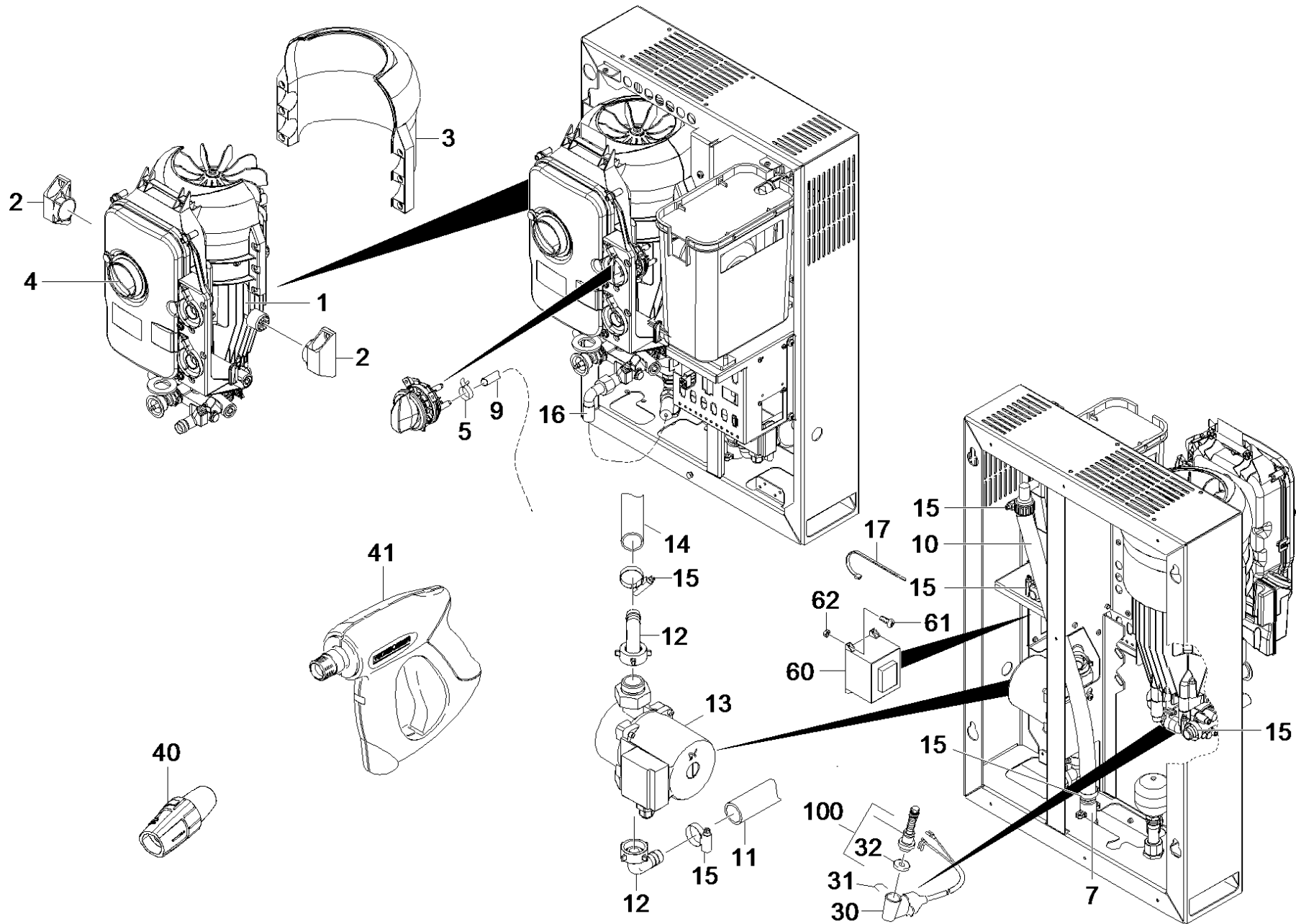


100 Spare part set control piston (2.885-226.0)

POS	Article no.	Description	Quantity	Unit
1	6.363-350.0	O-Ring seal 8.74x1.78	1	ST
3	5.332-511.0	Helical spring	1	ST
4	5.110-947.0	Sleeve	1	ST
6	6.363-330.0	O-Ring seal 2,9 x 1,78	1	ST
8	6.363-452.0	O-Ring seal 11 x 1,5	1	ST
10	6.363-519.0	O-Ring seal 12,00x 2,00	1	ST
14	5.367-030.0	Diaphragm	1	ST

41 Pump set complete HD 9/18-4 ST-H 380-440V 60Hz

POS	Article no.	Description	Quantity	Unit
1000	2.532-005.3	Spare parts list pump set complete HD 9/18-4 ST-H 380-440V 60Hz	1	ST

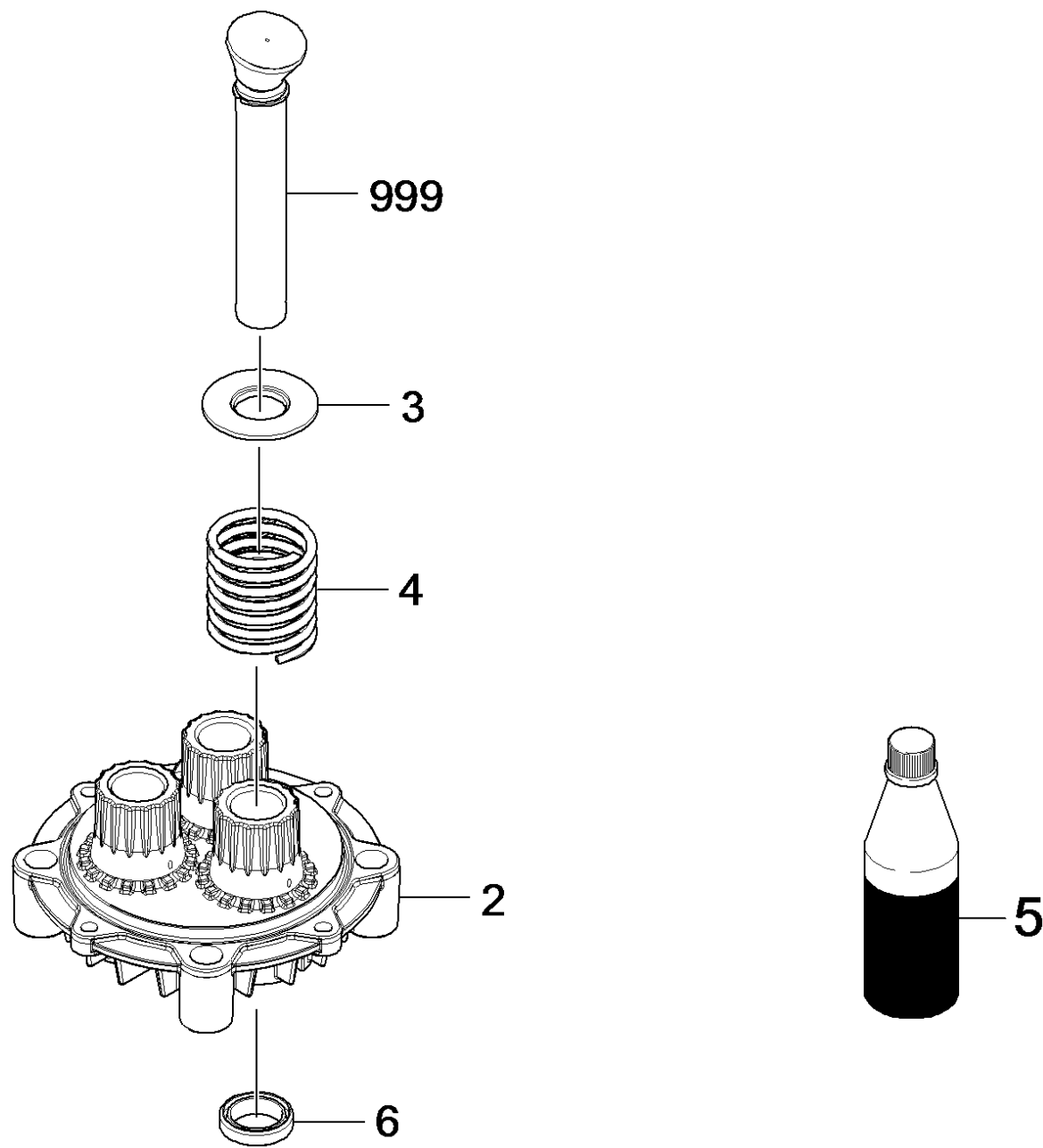


1000 Spare parts list pump set complete HD 9/18-4 ST-H 380-440V 60Hz (2.532-005.3)

POS	Article no.	Description	Quantity	Unit	Remark
1		Pump set HD 9/18-4 ST-H 60Hz	1	ST	
2	5.044-998.0	Holder	2	ST	
3	2.885-228.0	Spare part set air circulation	1	ST	
4		Electric control box HD-ST 400V	1	ST	
5	6.390-133.0	Hose clip	2	ST	
6	7.306-190.0	Screw M6x8 -A2-70 (In6Rd)	2	ST	
7	5.427-432.0	Manifold	1	ST	
8	7.312-026.0	Washer 6 -A2 ISO 7089	2	ST	
9	6.388-247.0	Hose DN8 -PVC	0,44	M	
10	6.388-719.0	Hose DN17	0,57	M	
11	5.443-628.0	Hose	1	ST	
12	6.391-867.0	Elbow screw connector R1"	2	ST	
13	4.540-133.0	Circulation pump	1	ST	
14	6.388-293.0	Elbow hose	1	ST	
15	7.373-022.0	Hose clip A-16-27x9 -W2-2 DIN3017	6	ST	
16	6.392-198.0	Hose assembly DN8 40MPa 0,46m	1	ST	
17	6.641-465.0	Cable tape	1	ST	
30	4.744-242.0	Switch kpl. -nur für Ersatz-	1	ST	
31	5.034-494.0	Retaining bracket	1	ST	
32	5.367-030.0	Diaphragm	1	ST	
40	4.117-039.0	Triple jet nozzle TR 055	1	ST	1.524-950.2
40	4.767-066.0	Triple jet nozzle 055	1	ST	1.524-500.2
41	4.118-005.0	EASY!Force Advanced	1	ST	1.524-950.2
41	4.775-463.0	HAND TRIGGER GUN EASY PRESS	1	ST	1.524-500.2
60	6.622-332.0	Control transformer 96VA - EI78/40,5 380	1	ST	
61	7.306-058.0	Screw M 4X 12- 8.8-R2R K-IN6RD	4	ST	
62	7.311-569.0	Square nut M4 -04-A2E DIN 562	4	ST	
100	2.885-226.0	Spare part set control piston	1	ST	

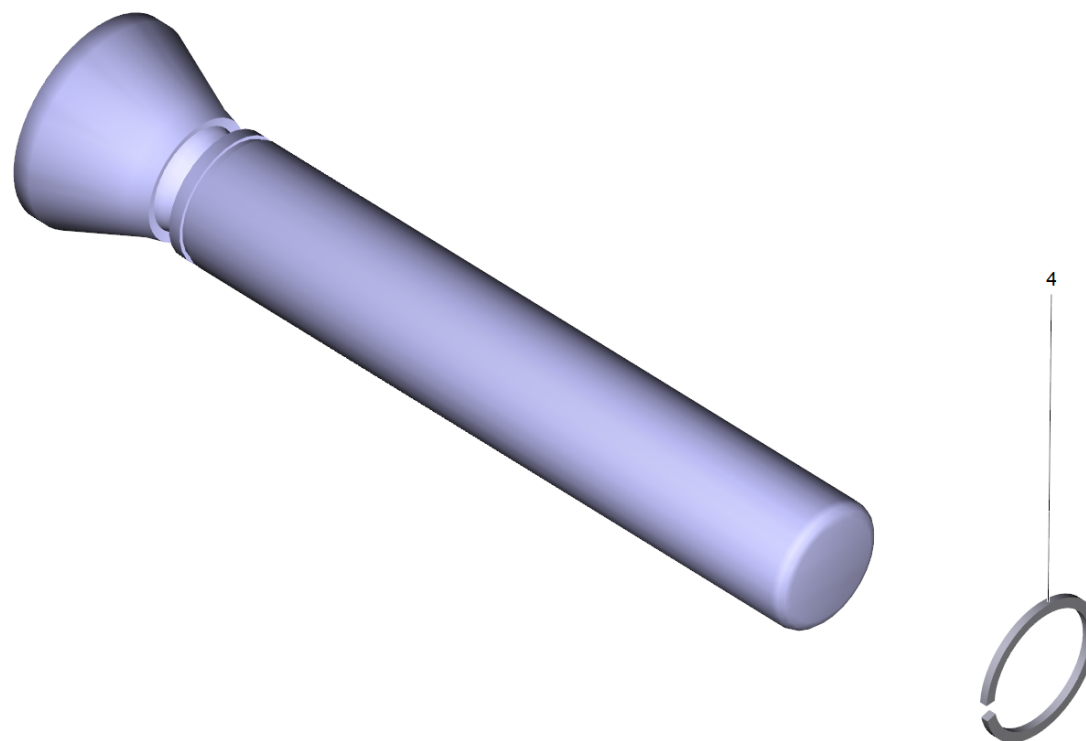
1 Pump set HD 9/18-4 ST-H 60Hz

POS	Article no.	Description	Quantity	Unit
2		Thrust guidance complete	1	ST
3	4.624-222.0	Motor complete only for replacement	1	ST
4		Cylinder head complete -H	1	ST
6	5.011-428.0	Plate bracket	1	ST
7	5.044-918.0	Retaining plate box oil	1	ST
8	5.064-457.0	Cover plate qusty grey oil	1	ST
9	5.070-831.0	Tank oil	1	ST
14	6.643-151.0	Strip terminal one-pole 16mm ²	1	ZST
18	7.306-180.0	Screw M5x10-A2-70 (In6Rd)	1	ST
20	5.767-005.0	Rubber buffer	4	ST
21	5.365-341.0	Profile gasket long	1	ST
23	6.288-016.0	Gear oil 1L	1	ST
26	6.363-499.0	O-Ring seal 28,0x3,0	1	ST
27	5.115-255.0	Washer	3	ST
32	5.112-866.0	Bush	3	ST
33	5.132-187.0	Plug	1	ST
45	4.820-578.0	Cable green/yellow 1,5mm ² x450mm	1	ST
50	7.303-031.0	Screw M4x10 -St-P2R (In6Rd)	1	ST
60	7.306-105.0	Screw M6x30 -8.8-R3R (In6Rd)	2	ST
65	7.306-155.0	Cylinder head screw M12x100 -8.8-A3E IS	4	ST
70	7.303-039.0	Screw M5x16 -St-P2R (In6Rd)	3	ST
100	2.885-318.0	Pump set HD 9/18 ST-H	1	ST



2 Thrust guidance complete

POS	Article no.	Description	Quantity	Unit
2	5.061-185.3	Thrust guidance	1	ST
3	5.116-310.0	Washer	3	ST
4	5.332-550.0	Helical spring	3	ST
5	6.288-016.0	Gear oil 1L	1	ST
6		Part at pump set	1	ST
999	4.553-279.0	Piston complete	3	ST

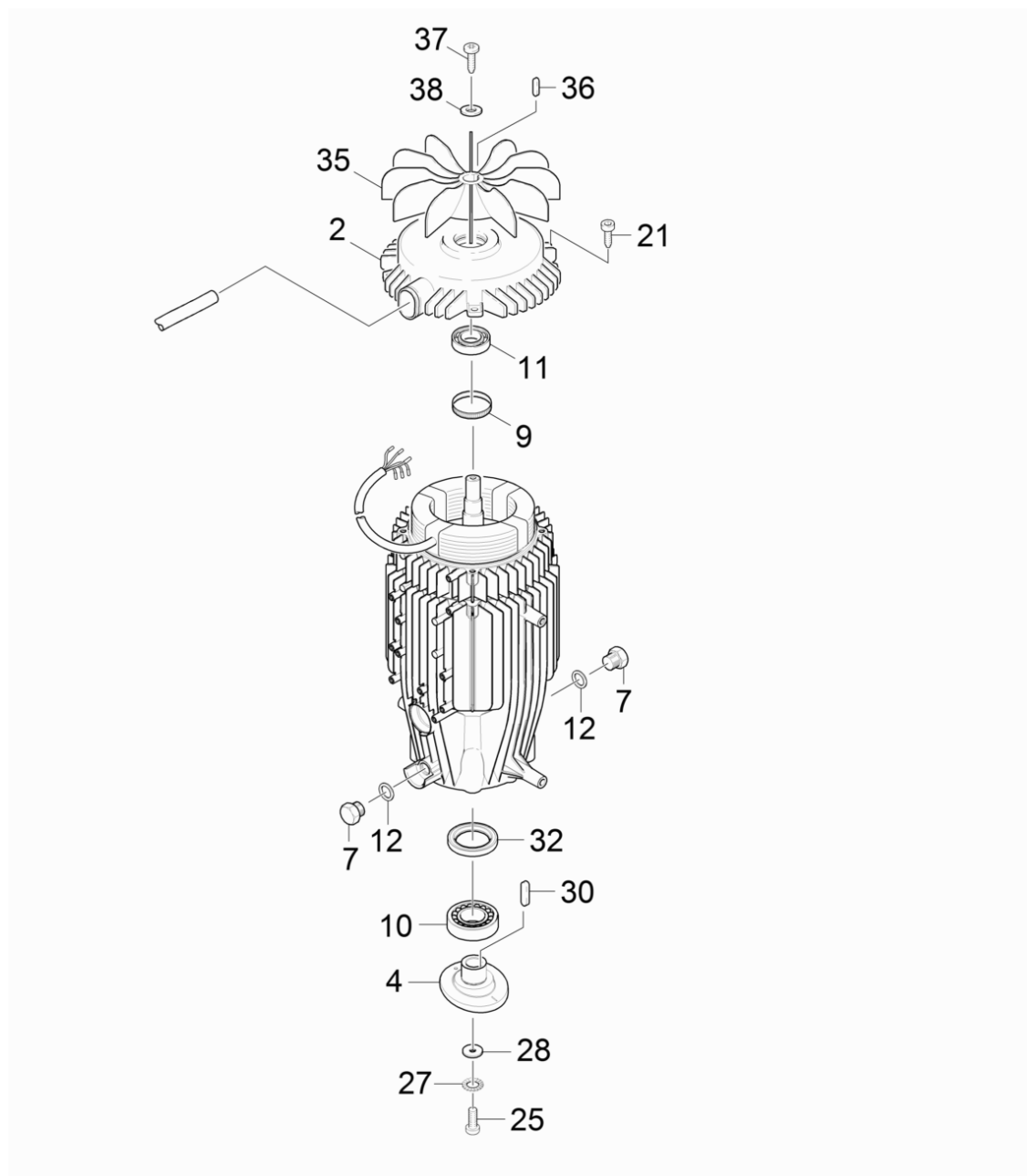


999 Piston complete (4.553-279.0)

POS	Article no.	Description	Quantity	Unit
4	6.472-331.0	Snap ring 20	1	ST

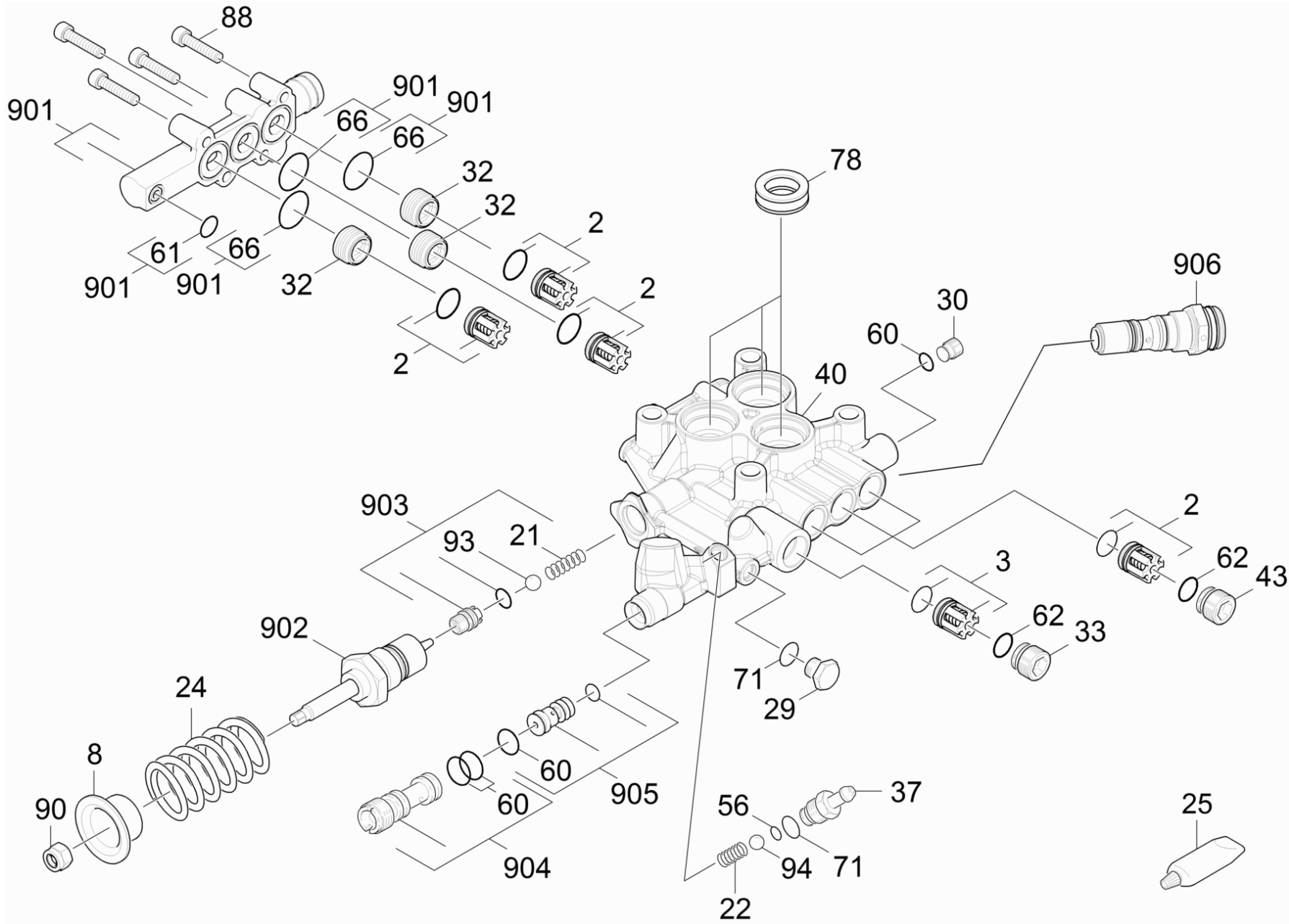
3 Motor complete only for replacement (4.624-222.0)

POS	Description	Quantity	Unit
1	Motor complete HD 9/18-4ST 60Hz	1	ST



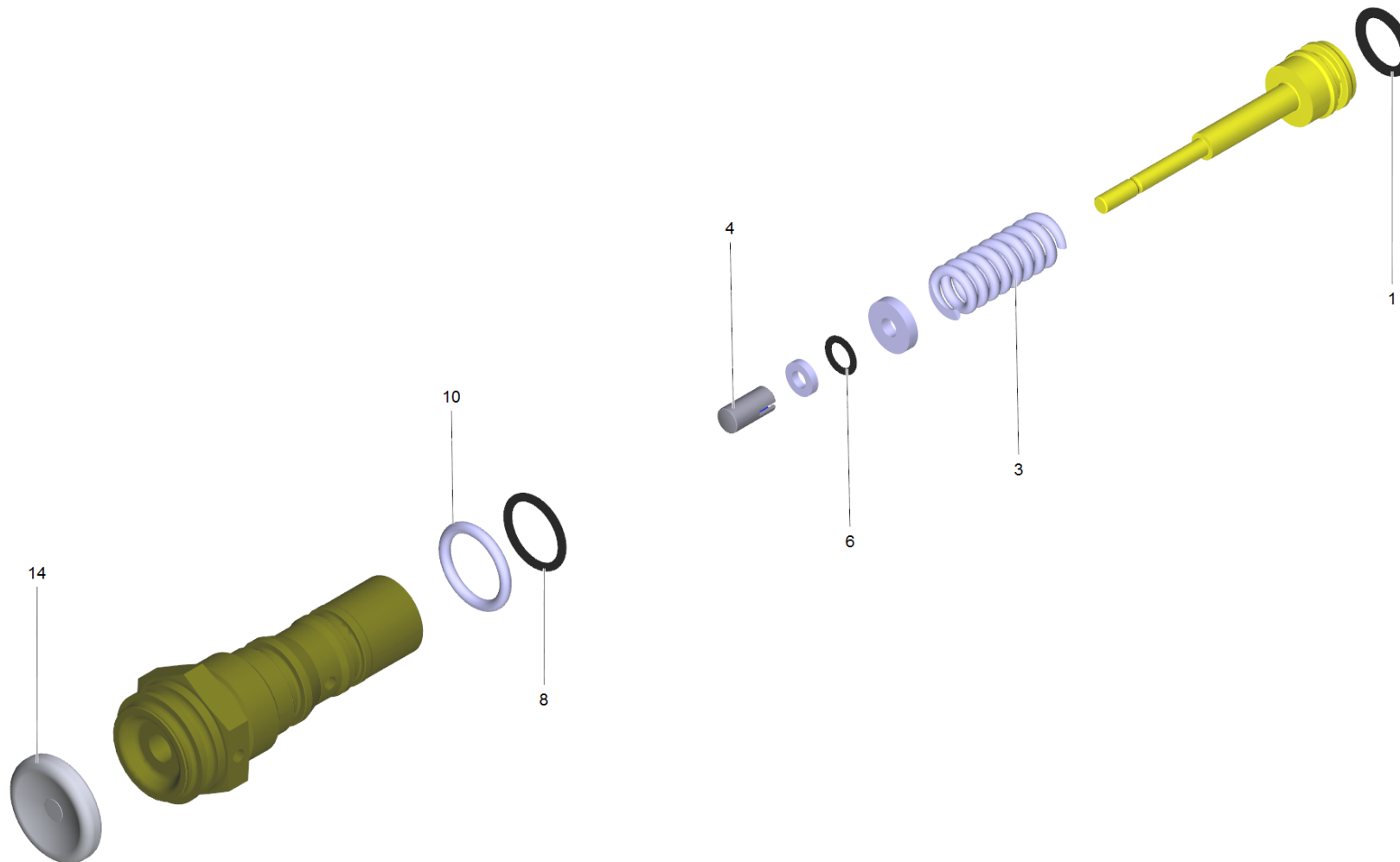
1 Motor complete HD 9/18-4ST 60Hz

POS	Article no.	Description	Quantity	Unit
2	5.063-707.0	Bearing cover B	1	ST
4	4.120-266.0	Wobble plate only for replacement	1	ST
7	5.411-100.0	Screw plug	2	ST
9	6.343-171.0	Tolerance ring	1	ST
10	6.401-405.0	Taper roller bearing	1	ST
11	6.401-285.0	Ball bearing 6204 2RS	1	ST
12	6.363-498.0	O-Ring seal 11,0x2,0 HNBR	2	ST
21	7.303-048.0	Screw M6x20 -St-R3R (In6Rd)	4	ST
25	7.306-041.0	Cylinder head screw M8x20 -8.8-A2E ISO	1	ST
27	7.312-159.0	Toothed lock washer A8,4-FST-PH DIN 679	1	ST
28	5.115-565.0	Washer	1	ST
30	7.318-030.0	Parallel key 6x6x25 -C45K DIN 6885-1	1	ST
32	7.367-012.0	Radial shaft seal ring A35x52x7 -FKM DIN	1	ST
35	5.600-046.0	Blower wheel	1	ST
36	7.318-079.0	Parallel key A 5x5x25-C45K DIN 6885	1	ST
37	7.312-260.0	Washer 6 -100HV-A3E ISO 7094	1	ST
38	7.306-092.0	Screw M6x20-ST- 8.8-R3R (IN6RD)	1	ST



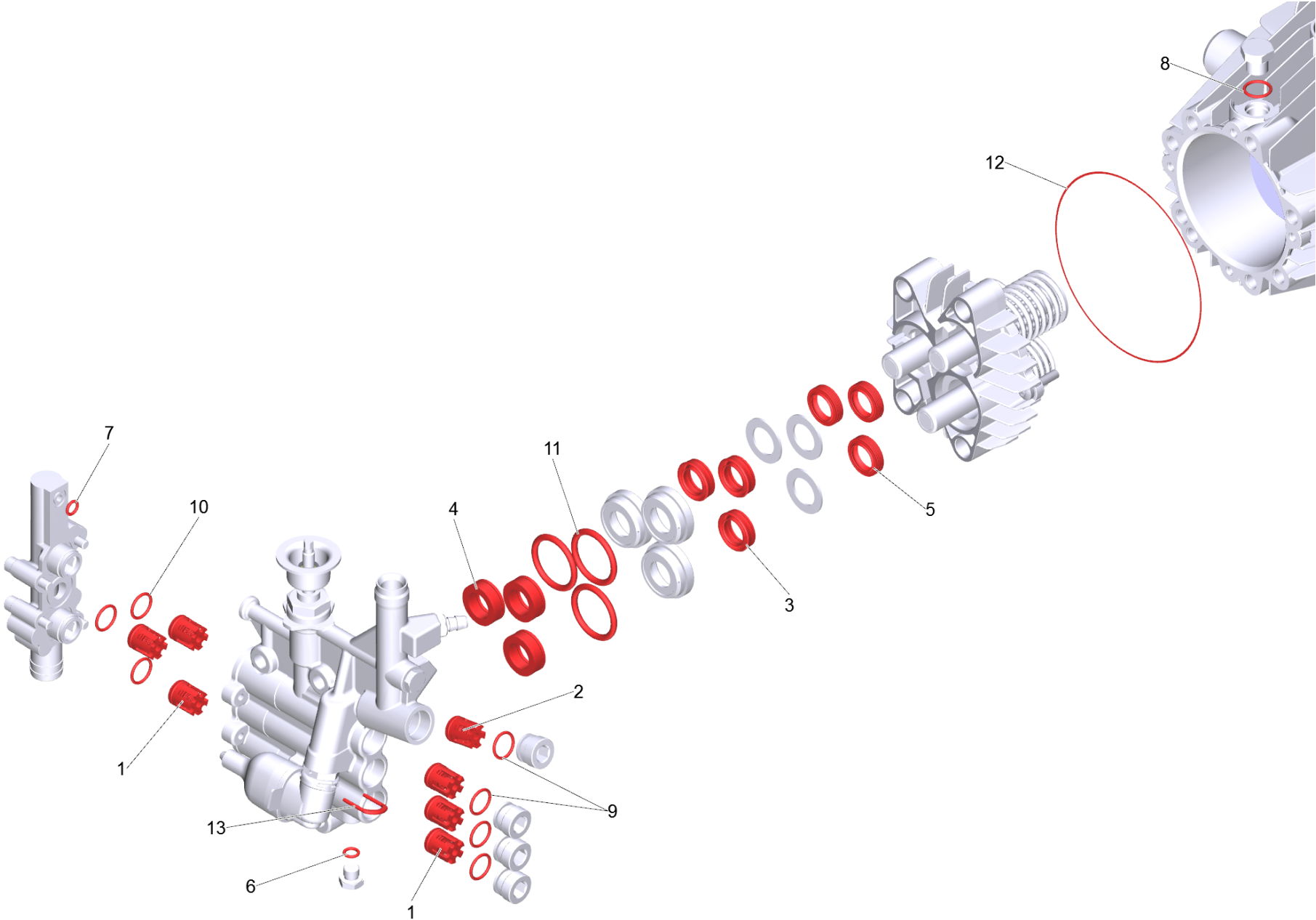
4 Cylinder head complete -H

POS	Article no.	Description	Quantity	Unit
2		Part at pump set	1	ST
3		Part at pump set	1	ST
8	5.112-757.0	Bush	1	ST
21	5.332-999.0	Helical spring	1	ST
22	5.332-258.0	Helical spring	1	ST
24	5.332-530.0	Helical spring	1	ST
25	6.288-044.0	Silicon grease 100 G	1	ST
29	5.411-070.0	Screw plug	1	ST
30	5.411-152.0	Screw plug	1	ST
32	5.583-177.0	Valve screw M20x1	3	ST
33	5.411-166.0	CLOSING SCREW	1	ST
37	5.443-370.0	Nipple	1	ST
40	4.550-977.0	Spare part set cylinder head	1	ST
43	5.583-146.3	Valve screw	3	ST
56	6.363-489.0	O-Ring seal 5,28x1,78	1	ST
60	6.363-331.0	O-Ring seal 9,0 x 1,5	4	ST
61		Part at pump set	1	ST
62		Part at pump set	1	ST
66		Part at pump set	1	ST
71		Part at pump set	1	ST
78		Part at pump set	1	ST
88	7.306-019.0	Cylinder head screw M8x35 -A4-70 ISO 47	4	ST
90	7.311-510.0	Hexagon nut M 8-8-A2E ISO 7040	1	ST
93	7.401-907.0	Sphere 3/8 G200-1.4301 DIN 5401	1	ST
94	7.401-908.0	Sphere 7 G300 -1.4301 DIN 5401	1	ST
901	4.064-024.0	Suction cover complete only for replacem	1	ST
902	2.885-227.0	Spare part set overflow valve	1	ST
903	4.481-256.0	Valve seat complete	1	ST
904	4.769-054.0	Nozzle insert kpl.	1	ST
905	2.885-230.0	Spare part set nozzle insert only for re	1	ST
906	2.885-226.0	Spare part set control piston	1	ST



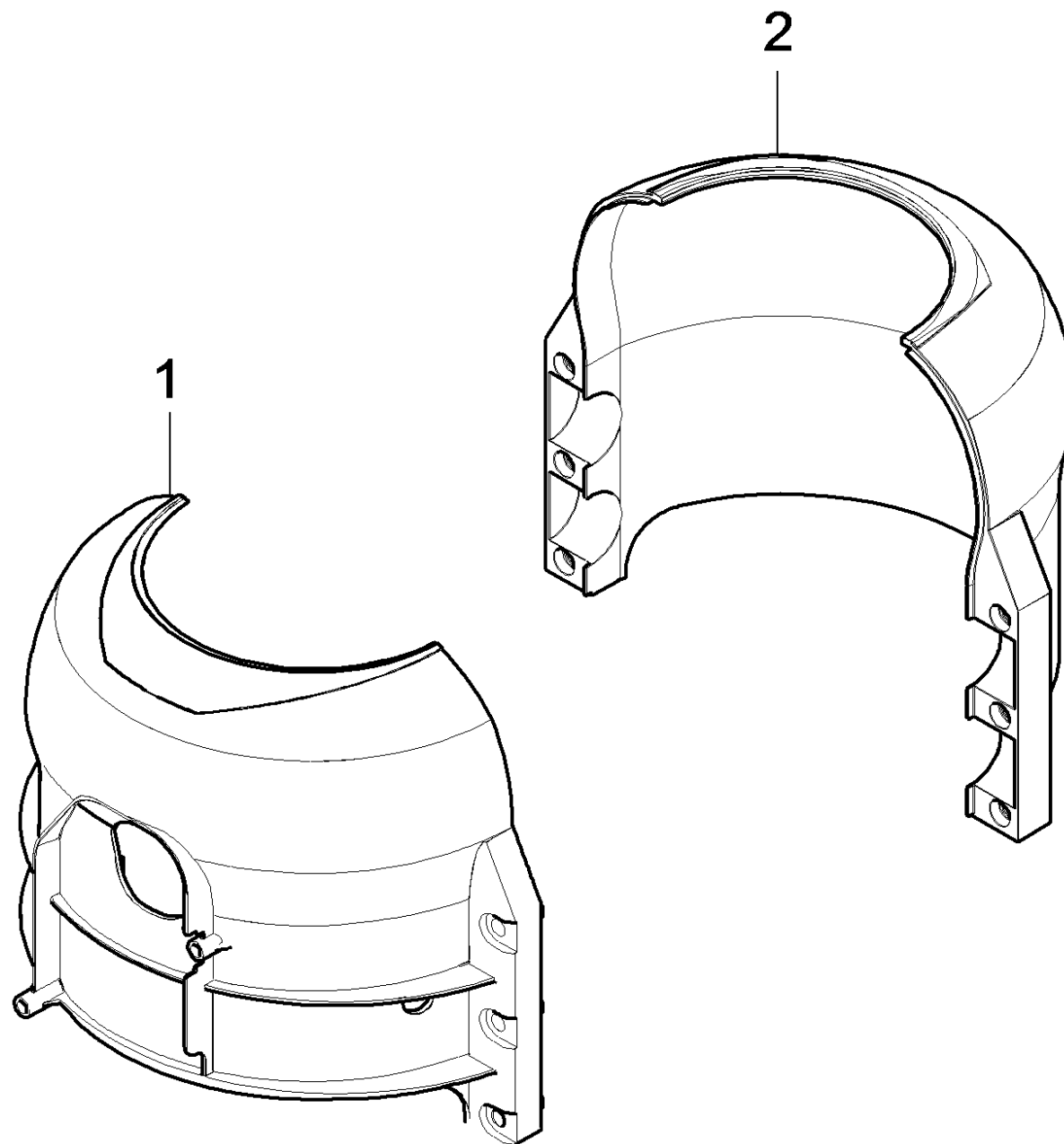
906 Spare part set control piston (2.885-226.0)

POS	Article no.	Description	Quantity	Unit
1	6.363-350.0	O-Ring seal 8.74x1.78	1	ST
3	5.332-511.0	Helical spring	1	ST
4	5.110-947.0	Sleeve	1	ST
6	6.363-330.0	O-Ring seal 2,9 x 1,78	1	ST
8	6.363-452.0	O-Ring seal 11 x 1,5	1	ST
10	6.363-519.0	O-Ring seal 12,00x 2,00	1	ST
14	5.367-030.0	Diaphragm	1	ST



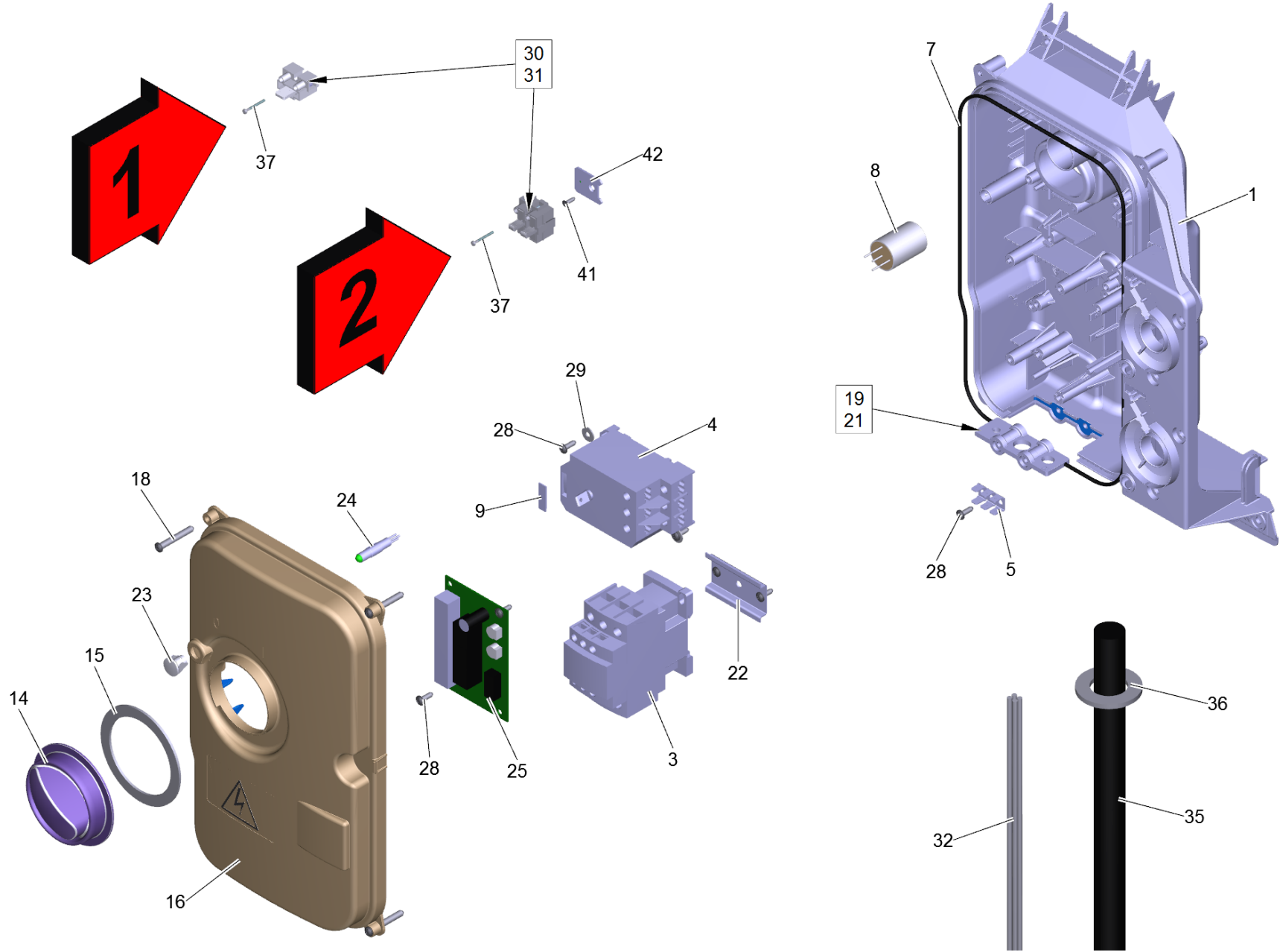
100 Pump set HD 9/18 ST-H (2.885-318.0)

POS	Article no.	Description	Quantity	Unit
1	2.885-139.0	Valve (3Stueck)	2	ST
2	4.580-734.0	Valve complete	1	ST
3	2.885-431.0	Set of gaskets ND PTFE 3x	1	ST
4	2.885-235.0	Set of gaskets high pressure W1 (3 Stuec	1	ST
5	6.365-436.0	Grooved ring 20X28X7/6	3	ST
6	6.363-496.0	O-Ring seal 7,0x2,0	3	ST
7	6.363-492.0	O-Ring seal 8,0x1,5	1	ST
8	6.363-498.0	O-Ring seal 11,0x2,0 HNBR	1	ST
9	6.363-459.0	O-Ring seal 14 x 2	4	ST
10	6.363-494.0	O-Ring seal 20,0x1,5	3	ST
11	6.363-548.0	O-Ring seal 32,0 x 2,0	3	ST
12	6.363-501.0	O-Ring seal 101,27x2,62 HNBR	1	ST
13	5.034-494.0	Retaining bracket	1	ST
14	6.288-072.0	Silicon grease	1	ST



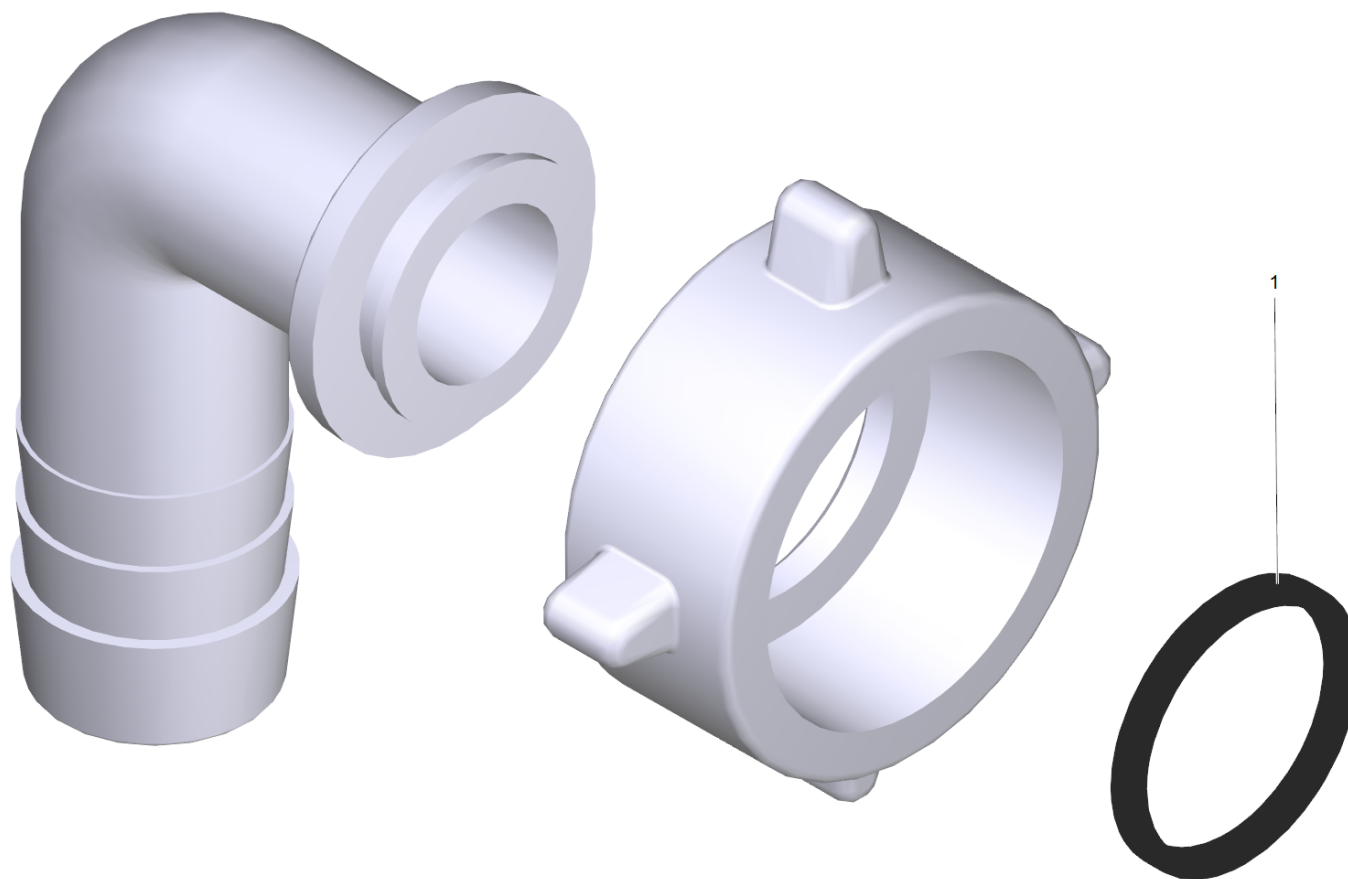
3 Spare part set air circulation (2.885-228.0)

POS	Description	Quantity	Unit
1	Air circulation front	1	ST
2	Air circulation rear	1	ST



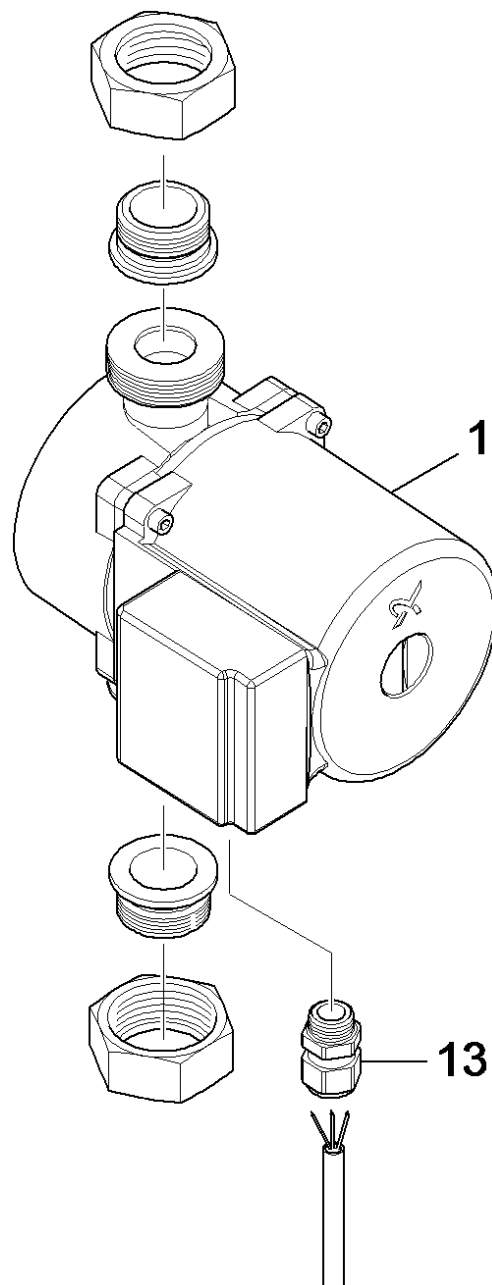
4 Electric control box HD-ST 400V

POS	Article no.	Description	Quantity	Unit	Foot note text
1	5.062-336.0	Housing electric control box	1	ST	
3	6.632-356.0	Contactor LC1-D18 B7	1	ST	
4	6.631-190.0	Motor protecting switch	1	ST	
5	6.641-270.0	Plug	1	ST	
7	6.273-037.0	Seal string cellular rubber 3	0,8	M	
8	6.661-302.0	Interference suppressor triple-pole	1	ST	
9	6.630-049.0	Cap	1	ST	
10	4.820-476.0	Cable black 2,5mm ² x250mm	3	ST	
14	5.321-692.0	Handle	1	ST	
15	5.363-616.0	Joint ring	1	ST	
16	5.064-413.0	Cover electric control box	1	ST	
18	7.303-085.0	Screw 4x 35 -10.9-R2R (K-In6Rd)	4	ST	
19	5.263-101.0	Tensioning part 10.5/14/7	2	ST	
20	6.641-463.0	Cable tape	4	ST	
21		Sheet metal screw ST3,9x45 -St-A2K-C-H I	2	ST	
22	5.802-261.0	Mounting part	1	ST	
23	6.651-506.0	Lens housing	1	ST	
24	6.651-505.0	Pilot lamp	1	ST	
25	6.984-610.0	Circuit board control system HD-ST	1	ST	
27	4.820-793.0	Cable brown 1,0mm ² x200mm	2	ST	
28	7.303-106.0	Screw 4x12 -10.9-R2R (IN6RD)	7	ST	
29	7.312-281.0	Washer 4 -200HV-A2E ISO7093-1	2	ST	
30	6.643-336.0	Strip terminal	2	ST	VERSION 1
30	6.643-471.0	Strip terminal with fuse	2	ST	VERSION 2
31	6.644-070.0	Fuse insert medium time-lag G-5,0A	2	ST	
32	6.649-844.0	Cable harness HD-ST	1	ST	
35	6.649-442.0	Cable with plug	1	ST	
36	7.312-098.0	Washer 27 -PA6.6-Natur ISO 7089	1	ST	
37	6.303-245.0	Cylinder head screw 3X18-ST-A2E	1	ST	VERSION 1
37	7.306-045.0	Screw M2x20 -4.8-A2K DIN 84	1	ST	VERSION 2
40	6.642-043.0	Insulating hose 10	0,36	M	
41	7.303-119.0	Countersunk screw 3x10 -10.9-R2R (In6Rd)	1	ST	VERSION 2
42	5.013-470.0	Plate clamp	1	ST	VERSION 2



12 Elbow screw connector R1" (6.391-867.0)

POS	Article no.	Description	Quantity	Unit
1	6.362-358.0	Seal	1	ST

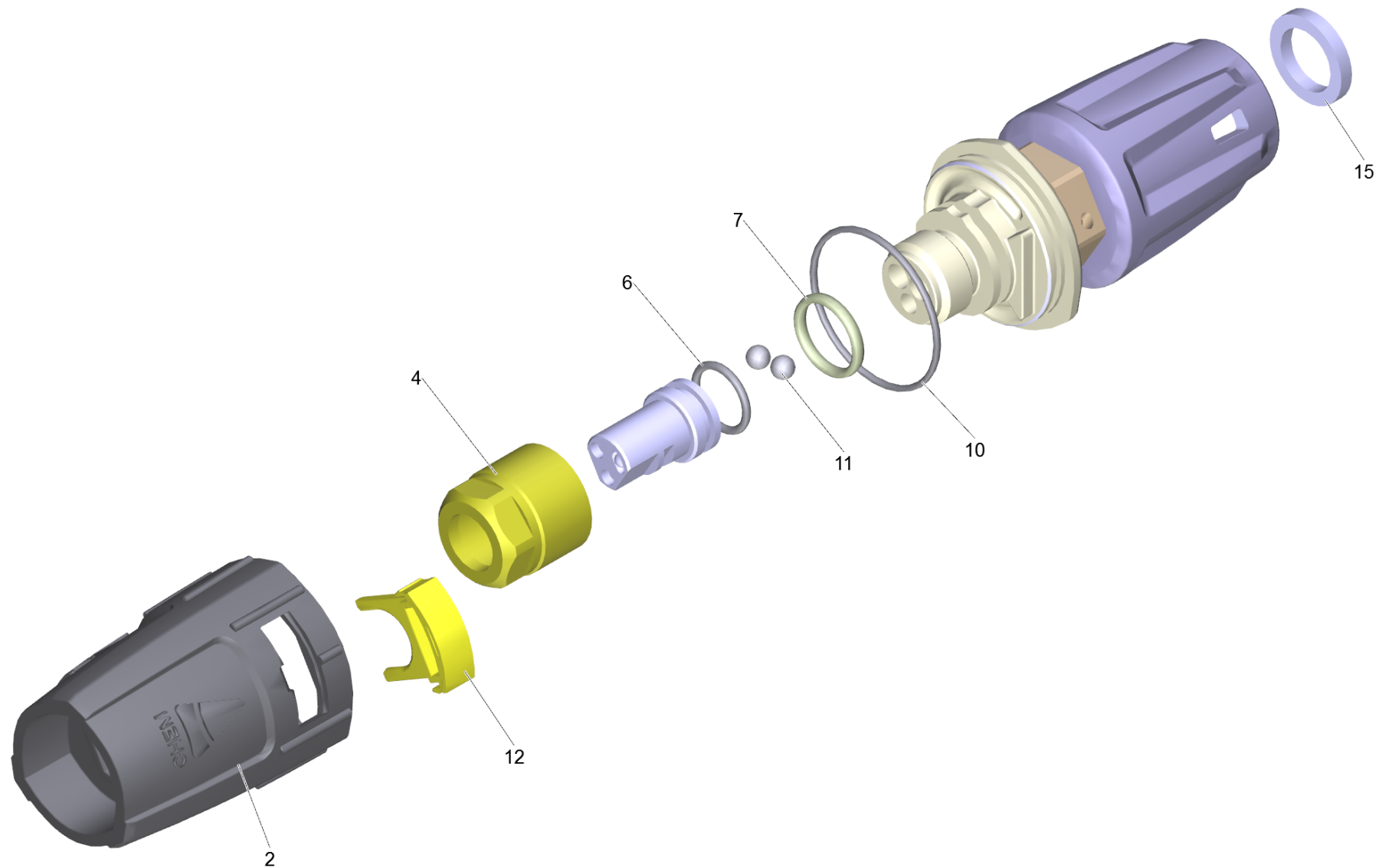


13 Circulation pump (4.540-133.0)

POS	Article no.	Description	Quantity	Unit
1	6.473-533.0	Admission pressure pump one-pole	1	ST
13	6.641-357.0	Cable gland PG11	1	ST

40 Triple jet nozzle TR 055 (4.117-039.0)

POS	Description	Quantity	Unit
1	Triple jet nozzle TR 055	1	ST



1 Triple jet nozzle TR 055

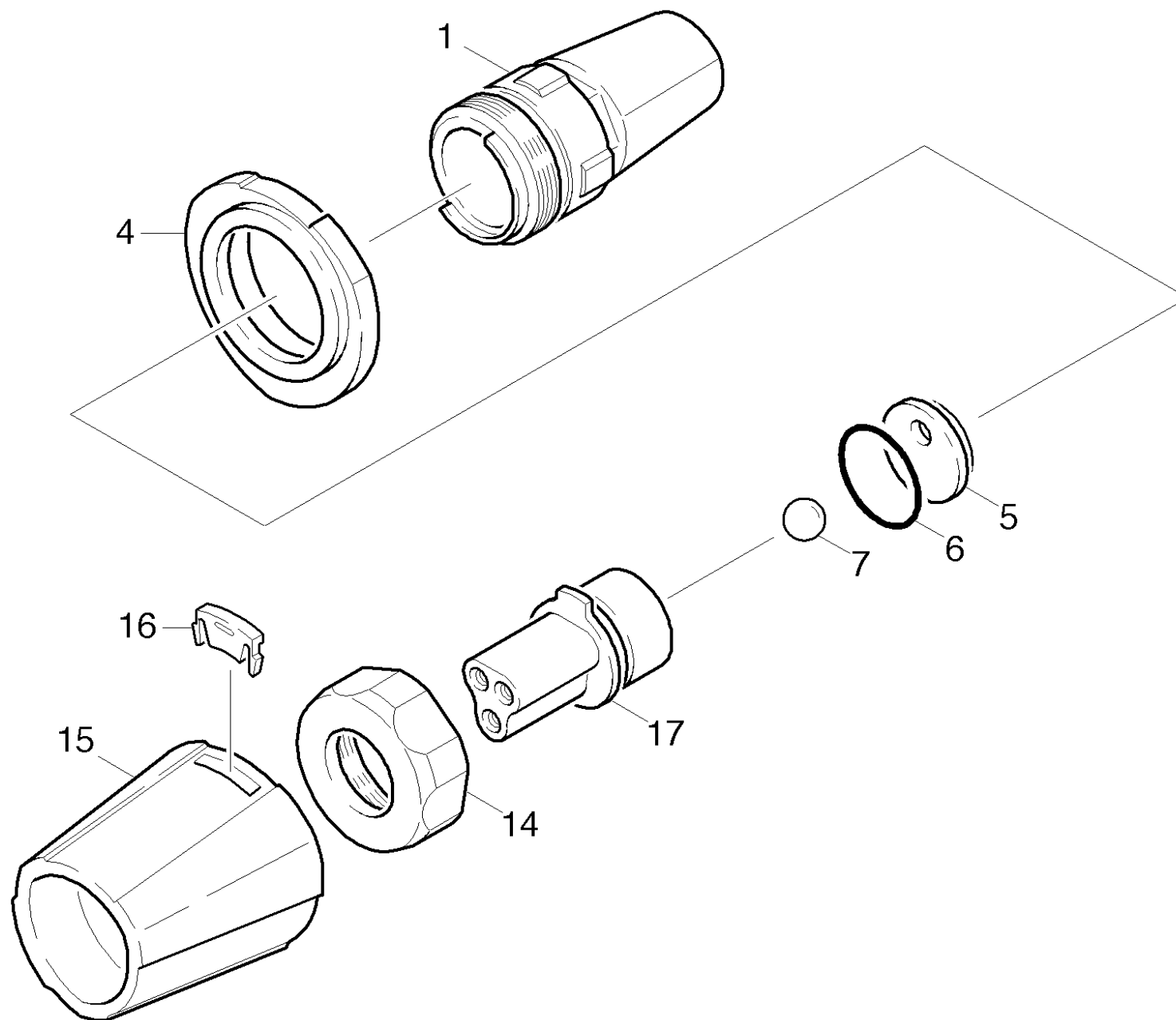
POS	Article no.	Description	Quantity	Unit
2	5.394-859.0	Protection part	1	ST
4	5.311-225.0	Nut	1	ST
6	6.362-480.0	O-Ring seal 12,42x 1,78	1	ST
7	6.362-460.0	O-Ring seal 14,0 X 2,5-NBR 70	1	ST
10	6.362-409.0	O-Ring seal 32,0 X 1,5	1	ST
11	7.401-902.0	Sphere 5 G20 -1.4034 DIN 5401	2	ST
12	5.321-884.0	Clamp	1	ST
15	6.363-696.0	Brake ring 14x20x3	1	ST

40 Triple jet nozzle 055 (4.767-066.0)

POS	Article no.	Description	Quantity	Unit
2	5.970-000.0	Spare parts list triple jet nozzle	1	ST
Item text2: 47670660				

2 Spare parts list triple jet nozzle (5.970-000.0)

POS	Description	Quantity	Unit
10	Triple jet nozzle	1	ST

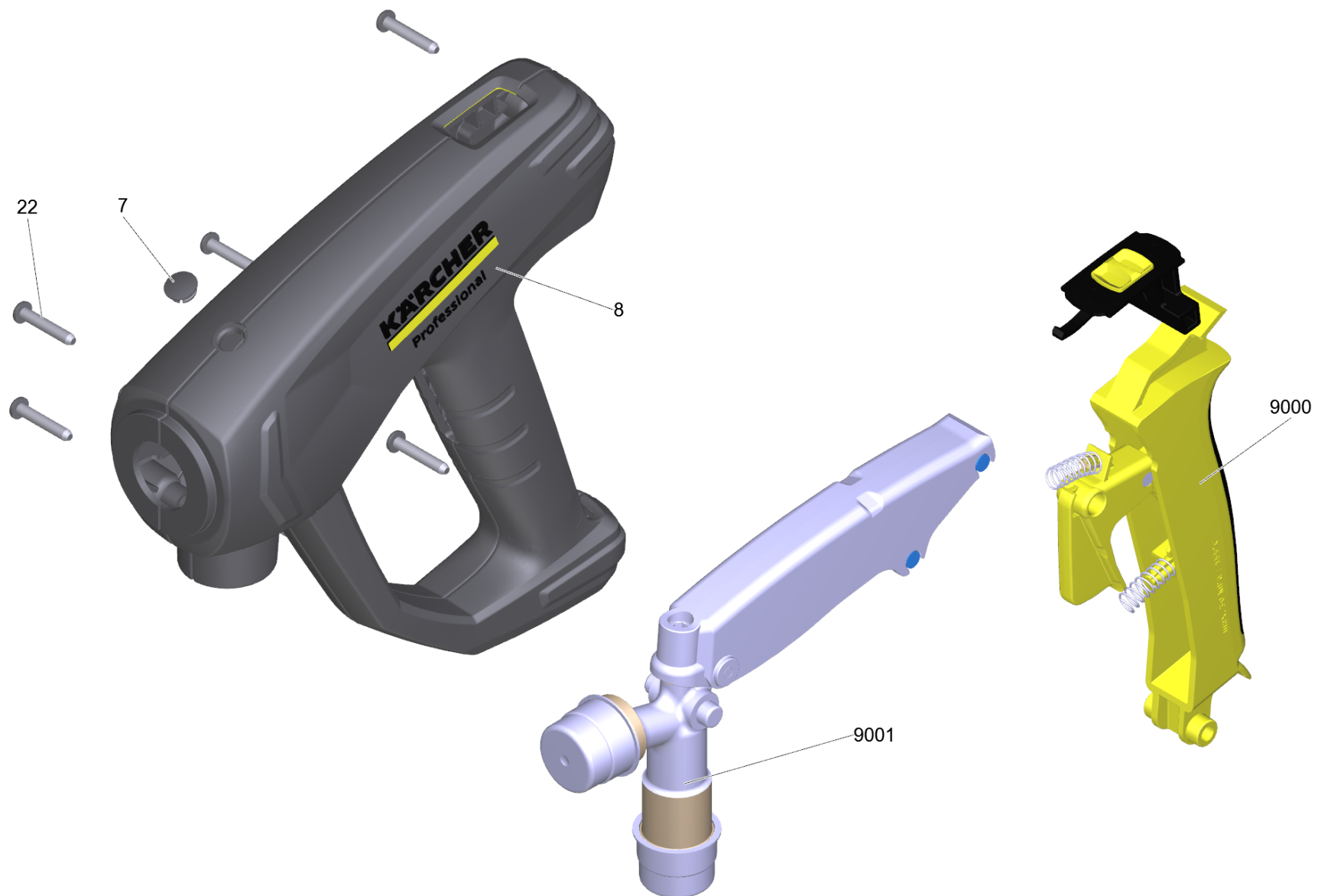


10 Triple jet nozzle

POS	Article no.	Description	Quantity	Unit	Remark
1	4.060-395.0	Housing complete only for replacement	1	ST	
4	5.394-401.0	Protection part	1	ST	
5	5.031-370.0	Moulded part	1	ST	
6	6.363-612.0	O-Ring seal 22 x 2 -NBR90	1	ST	
7	7.401-917.0	Sphere 10,0 G100-1.4301 DIN 5401	1	ST	
14	5.311-192.0	Union nut	1	ST	
15	5.394-402.0	Protection part	1	ST	
16	5.031-709.0	Moulded part	1	ST	
17	4.764-157.0	Nozzle holder 047	1	ST	4.767-064.0
17	4.764-158.0	Nozzle holder 05	1	ST	4.767-065.0
17	4.764-159.0	Nozzle holder 055	1	ST	4.767-066.0
17	4.764-161.0	Nozzle holder 08	1	ST	4.767-068.0
17	4.764-169.0	Nozzle holder 09	1	ST	4.767-075.0
17	4.764-173.0	Nozzle holder 0100	1	ST	4.767-106.0
17	7.777-999.0	Stockpiling discontinued	1	ST	4.767-067.0/-069.0

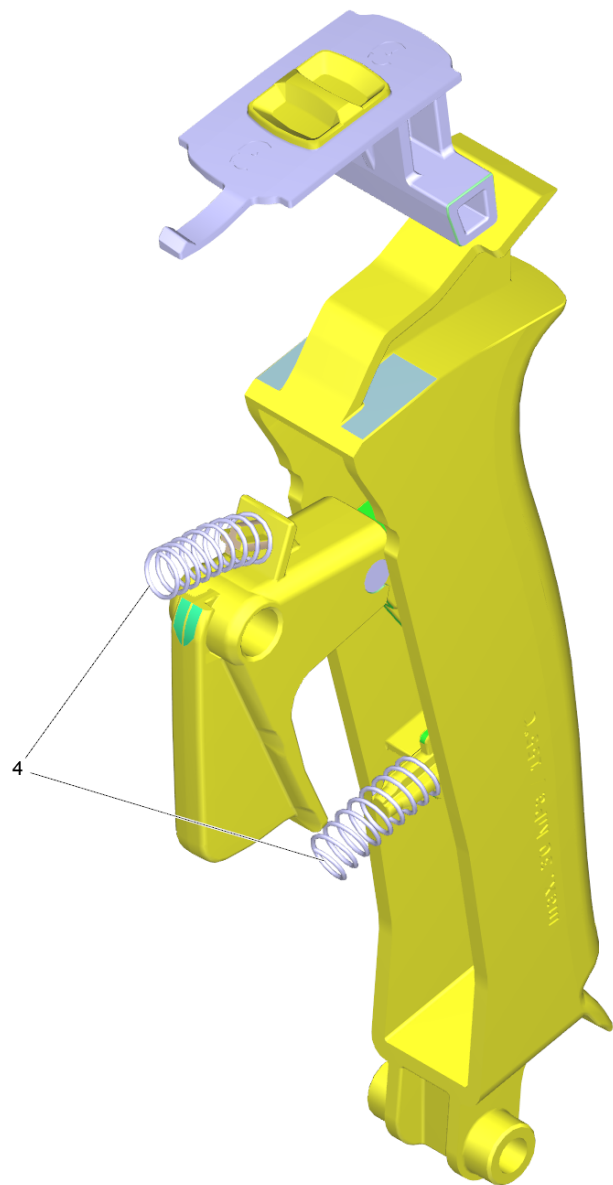
17 Nozzle holder 055 (4.764-159.0)

POS	Article no.	Description	Quantity	Unit
1	5.031-597.0	Rectifier	2	ST
	Item text2: 47641590			
7	6.362-661.0	O-Ring seal 5,0 X 1,0-NBR 80	3	ST
	Item text2: 47641590			
8	6.363-612.0	O-Ring seal 22 x 2 -NBR90	1	ST
	Item text2: 47641590			



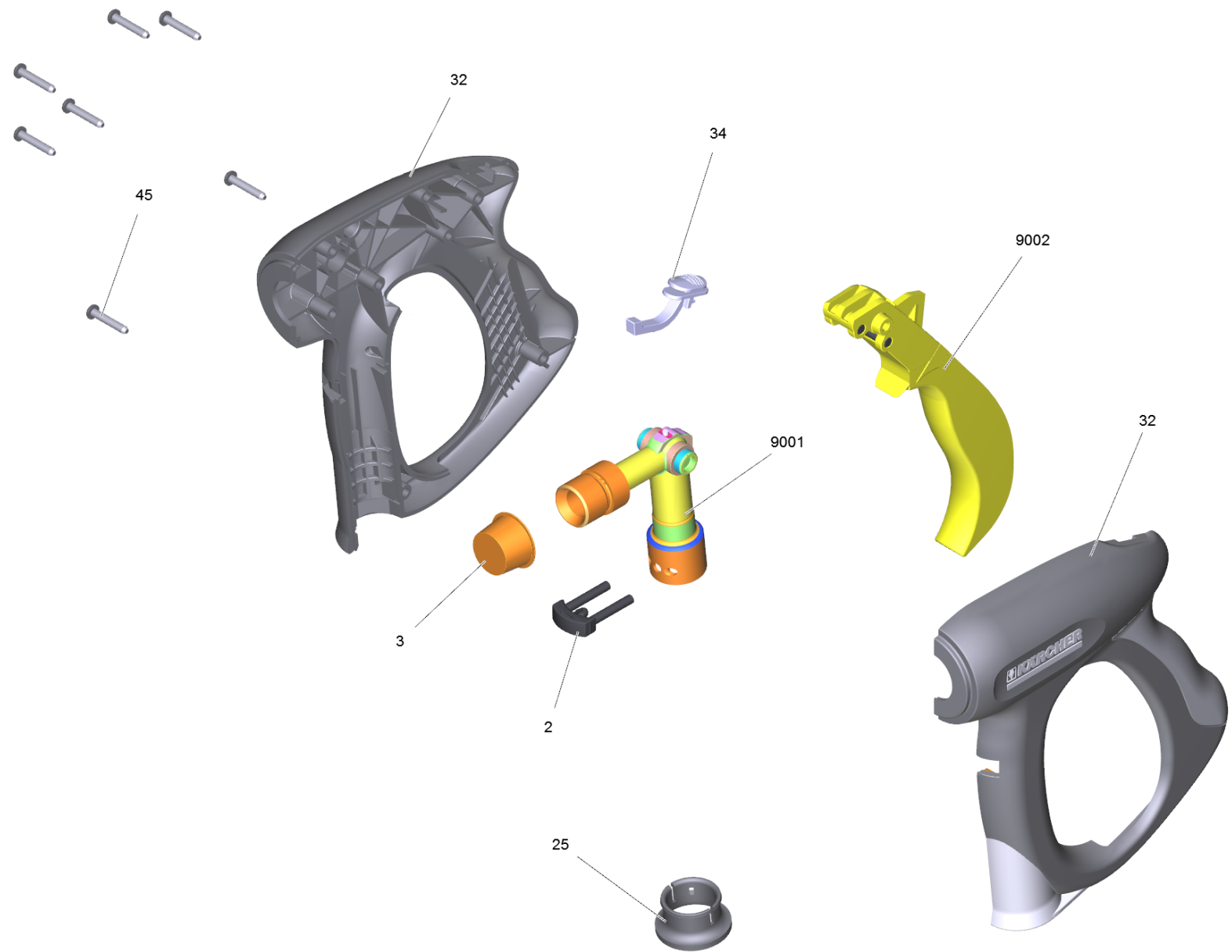
41 EASY!Force Advanced (4.118-005.0)

POS	Article no.	Description	Quantity	Unit
7	5.132-001.0	Plug	1	ST
8	5.321-136.3	Handhold few EH 155 only for replacement	1	ST
22	7.303-096.0	Screw 4x22 -ST-10.9-R2R (IN6RD)	7	ST
9000	2.885-483.0	Spare part set lever	1	ST
9001	4.427-014.0	Manifold TR EH 155 nur fuer Ersatz	1	ST



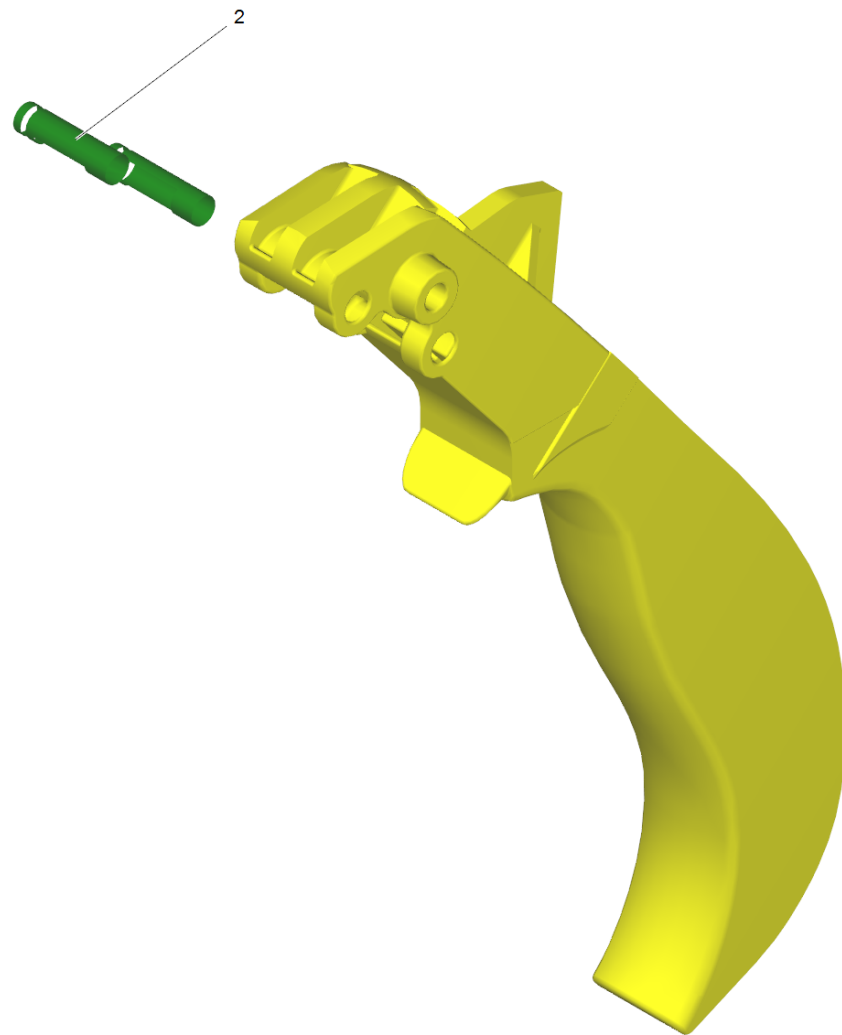
9000 Spare part set lever (2.885-483.0)

POS	Article no.	Description	Quantity	Unit
4	5.332-178.0	Helical spring	2	ST



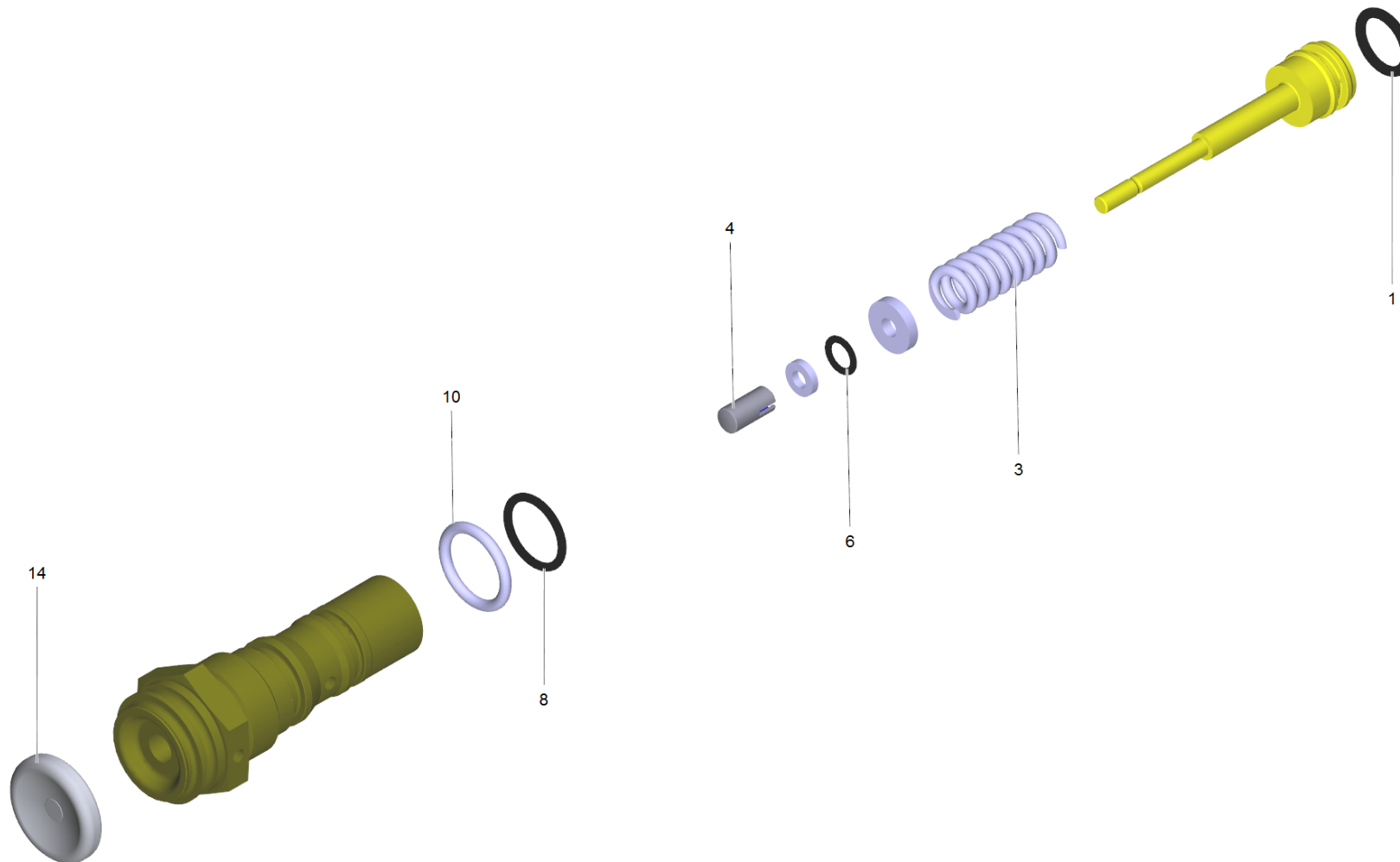
41 HAND TRIGGER GUN EASY PRESS (4.775-463.0)

POS	Article no.	Description	Quantity	Unit
2	4.037-013.0	Hook	1	ST
3	6.368-012.0	Protecting cap 22X1,5	1	ST
4	6.869-075.0	Metal bonding agent 1,5 ml	1	ST
cart_info_txt: This material is not available due to hazardous good regulation. Please procure this or a similar material from a local supplier of your choice.				
25	5.110-596.0	Sleeve	1	ST
32	5.321-669.3	Handhold few	1	ST
34	5.481-331.0	Slider	1	ST
45	7.303-096.0	Screw 4x22 -ST-10.9-R2R (IN6RD)	7	ST
1041	6.288-044.0	Silicon grease 100 G	1	ST
9001	4.427-215.0	Manifold complete only for replacement	1	ST
9002	4.481-209.0	Lever complete	1	ST



9002 Lever complete (4.481-209.0)

POS	Article no.	Description	Quantity	Unit
2	5.314-119.0	Pin	2	ST

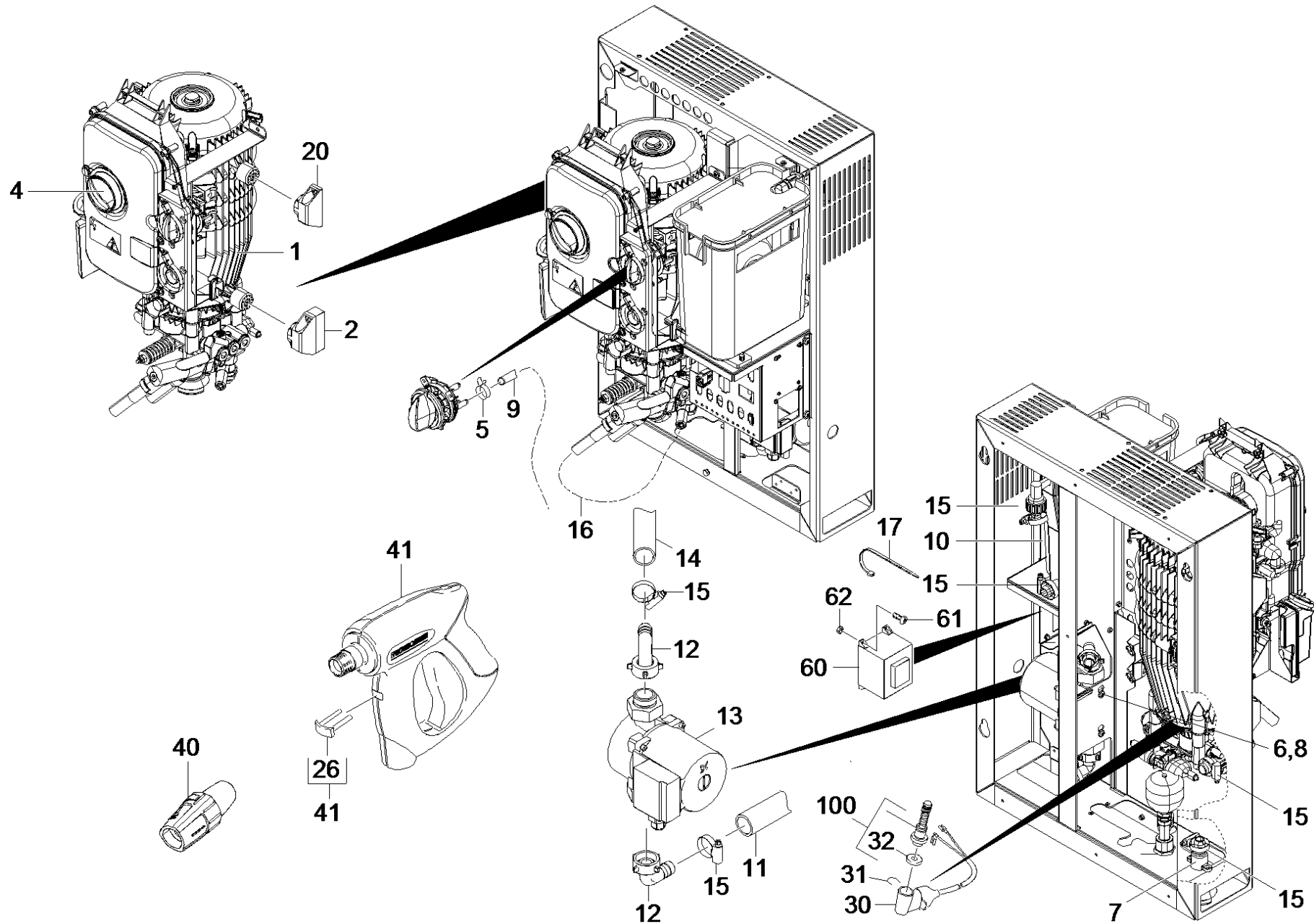


100 Spare part set control piston (2.885-226.0)

POS	Article no.	Description	Quantity	Unit
1	6.363-350.0	O-Ring seal 8.74x1.78	1	ST
3	5.332-511.0	Helical spring	1	ST
4	5.110-947.0	Sleeve	1	ST
6	6.363-330.0	O-Ring seal 2,9 x 1,78	1	ST
8	6.363-452.0	O-Ring seal 11 x 1,5	1	ST
10	6.363-519.0	O-Ring seal 12,00x 2,00	1	ST
14	5.367-030.0	Diaphragm	1	ST

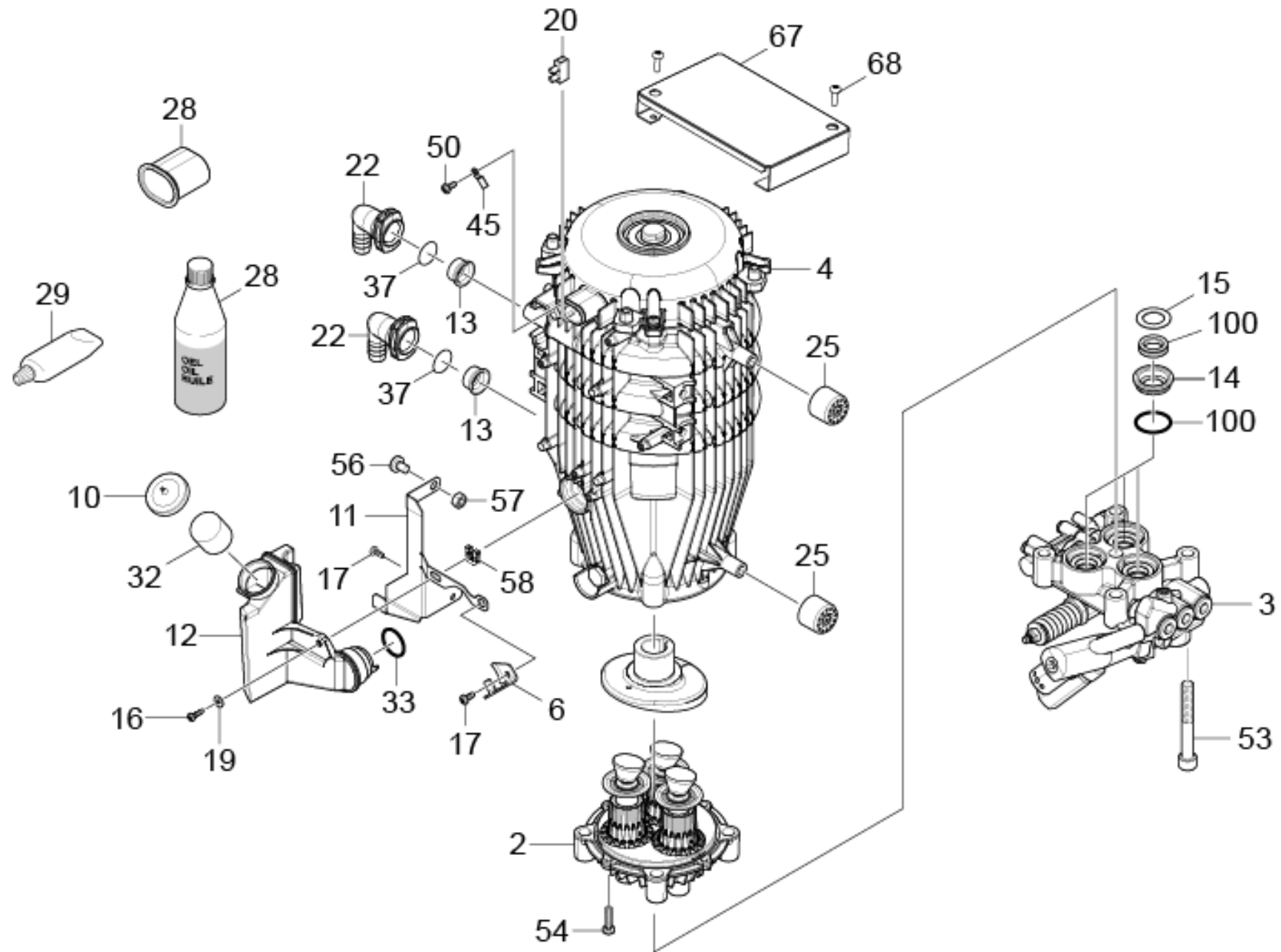
42 Pump set complete HD 13/12-4 ST-H 380-440V 60Hz

POS	Article no.	Description	Quantity	Unit
1000	2.532-008.3	Spare parts list pump set complete HD 13	1	ST



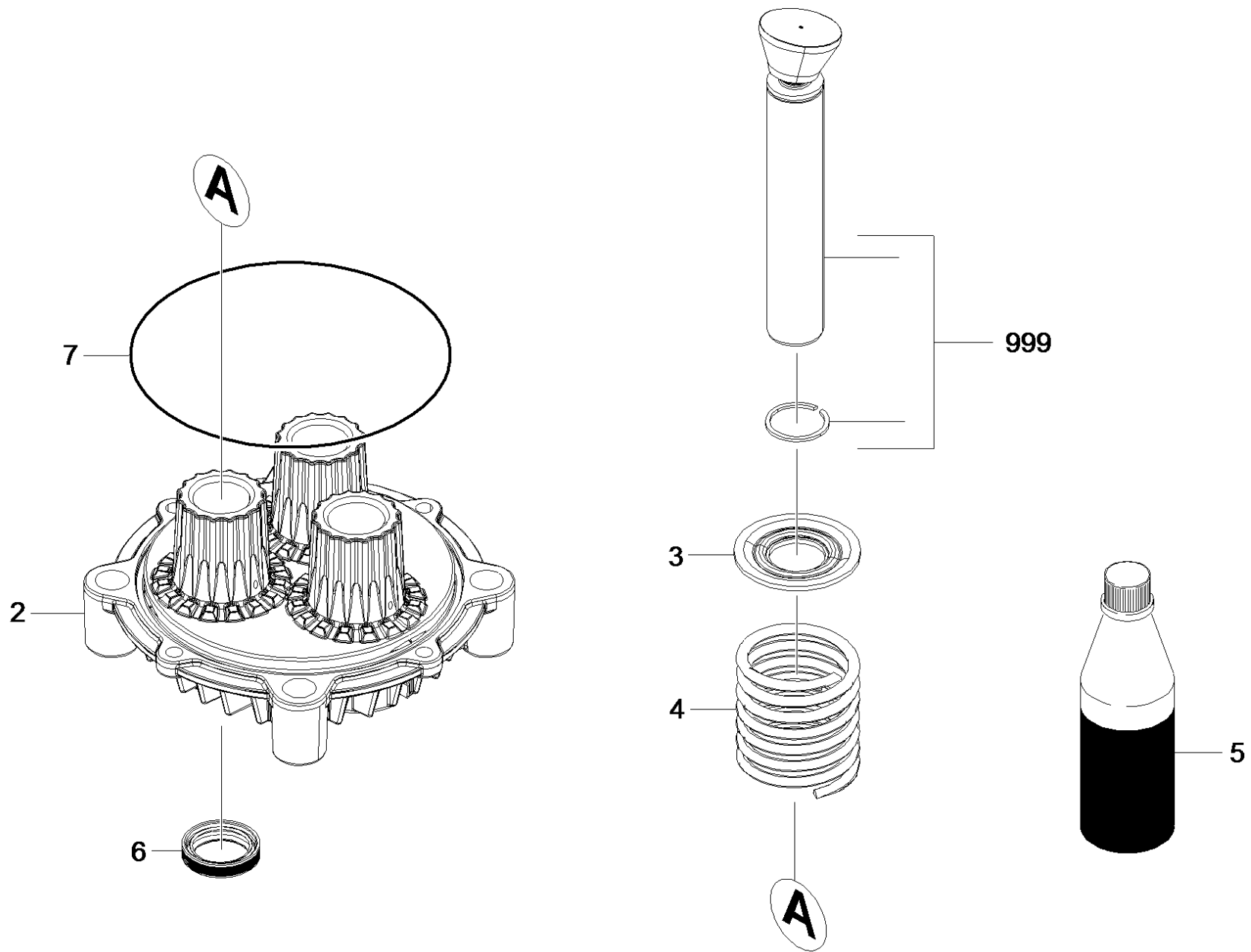
1000 Spare parts list pump set complete HD 13 (2.532-008.3)

POS	Article no.	Description	Quantity	Unit	Remark
1		Pump set HD 13/12-4 ST-H 60Hz	1	ST	
2	5.044-998.0	Holder	2	ST	
4		Electric control box HD-ST 400V	1	ST	
5	6.390-133.0	Hose clip	2	ST	
6	7.306-190.0	Screw M6x8 -A2-70 (In6Rd)	2	ST	
7	5.427-432.0	Manifold	1	ST	
8	7.312-026.0	Washer 6 -A2 ISO 7089	2	ST	
9	6.388-247.0	Hose DN8 -PVC	0,44	M	
10	6.388-719.0	Hose DN17	0,57	M	
11	5.443-628.0	Hose	1	ST	
12	6.391-867.0	Elbow screw connector R1"	2	ST	
13	4.540-133.0	Circulation pump	1	ST	
14	6.388-293.0	Elbow hose	1	ST	
15	7.373-022.0	Hose clip A-16-27x9 -W2-2 DIN3017	6	ST	
16	6.392-198.0	Hose assembly DN8 40MPa 0,46m	1	ST	
17	6.641-465.0	Cable tape	1	ST	
20	5.044-891.0	Holder	2	ST	
26	4.037-013.0	Hook	1	ST	
30	4.744-242.0	Switch kpl. -nur für Ersatz-	1	ST	
31	5.034-494.0	Retaining bracket	1	ST	
32	5.367-030.0	Diaphragm	1	ST	
40	4.117-041.0	Triple jet nozzle TR 098	1	ST	1.524-950.2
40	4.767-205.0	Triple jet nozzle only for replacement 0	1	ST	1.524-500.2
41	4.118-005.0	EASY!Force Advanced	1	ST	1.524-950.2
41	4.775-463.0	HAND TRIGGER GUN EASY PRESS	1	ST	1.524-500.2
60	6.622-332.0	Control transformer 96VA - E178/40,5 380	1	ST	
61	7.306-058.0	Screw M 4X 12- 8.8-R2R K-IN6RD	4	ST	
62	7.311-569.0	Square nut M4 -04-A2E DIN 562	4	ST	
100	2.885-226.0	Spare part set control piston	1	ST	



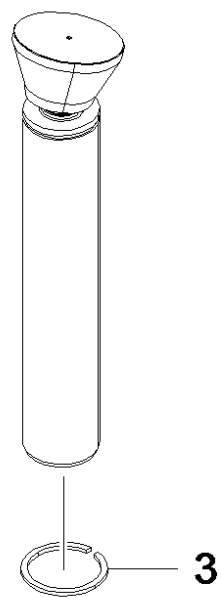
1 Pump set HD 13/12-4 ST-H 60Hz

POS	Article no.	Description	Quantity	Unit
2		Thrust guidance	1	ST
3		Cylinder head complete -H	1	ST
4	4.624-224.0	Motor complete only for replacement	1	ST
6	5.011-428.0	Plate bracket	1	ST
10	5.064-457.0	Cover plate qusty grey oil	1	ST
11	5.011-622.0	Plate holder oil tank	1	ST
12	5.070-831.0	Tank oil	1	ST
13	5.110-341.0	Sleeve	2	ST
14	5.112-870.0	Bush	3	ST
15	5.115-520.0	Washer	3	ST
16	7.306-208.0	Screw M 4x16-A2-70 (In6RD)	1	ST
17	7.303-038.0	Screw M5x12 -St-P2R (In6Rd)	2	ST
18	5.365-302.0	Profile gasket	1	ST
19	7.312-293.0	Washer 4-A2 ISO 7093-1	1	ST
20	6.643-151.0	Strip terminal one-pole 16mm ²	1	ZST
22	5.427-415.0	Manifold	2	ST
25	5.767-005.0	Rubber buffer	4	ST
28	6.288-016.0	Gear oil 1L	1	ST
29	6.288-044.0	Silicon grease 100 G	1	ST
32	5.132-187.0	Plug	1	ST
33	6.363-499.0	O-Ring seal 28,0x3,0	1	ST
37	6.363-455.0	O-Ring seal 17,5 x 3,5	2	ST
45	4.820-578.0	Cable green/yellow 1,5mm ² x450mm	1	ST
50	7.303-031.0	Screw M4x10 -St-P2R (In6Rd)	1	ST
53	7.306-430.0	Cylinder head screw M12x90- 10.9-A3K ISO 4762	4	ST
54	7.306-094.0	Screw M6x25 -8.8-R3R (In6Rd)	2	ST
56	7.311-068.0	Hexagon nut M 8-A2-70 ISO 4032	1	ST
57	7.306-223.0	Screw M8x12 -A2-70 (In6Rd)	1	ST
58	6.310-176.0	Putting nut M4	1	ST
67	5.010-082.0	Cover plate HD 10/25 Cage	1	ST
68	7.303-048.0	Screw M6x20 -St-R3R (In6Rd)	2	ST
100	2.885-319.0	Pump set HD 13/12-4 ST-H	1	ST



2 Thrust guidance

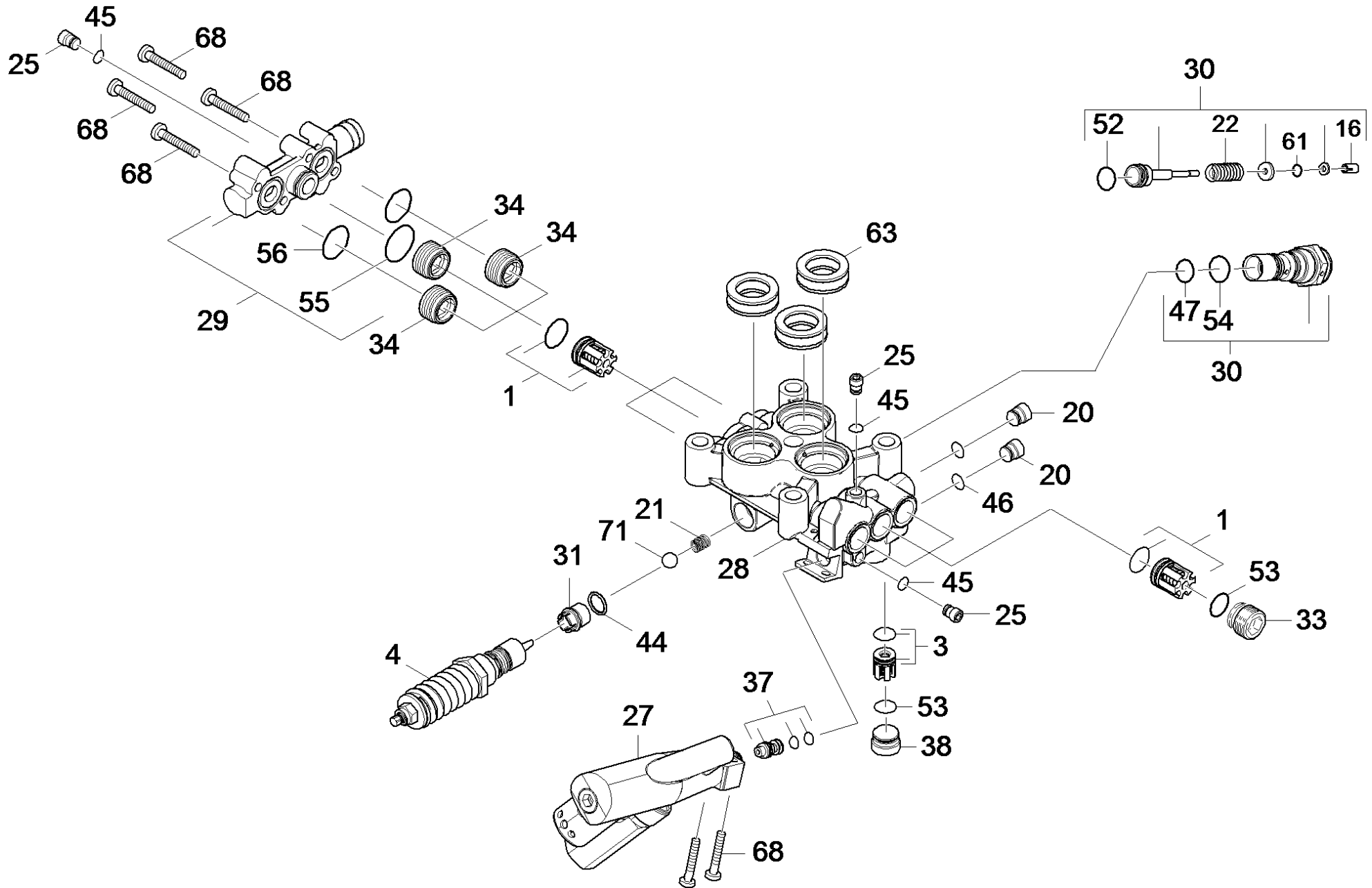
POS	Article no.	Description	Quantity	Unit
2	5.060-954.3	Thrust guidance D22	1	ST
3	5.116-065.0	Washer D22	3	ST
4	5.332-187.0	Helical spring	3	ST
5	6.288-016.0	Gear oil 1L	1	ST
6		Part at pump set	1	ST
7		Part at pump set	1	ST
999	4.553-280.0	Piston complete only for replacement	3	ST



999 Piston complete only for replacement (4.553-280.0)

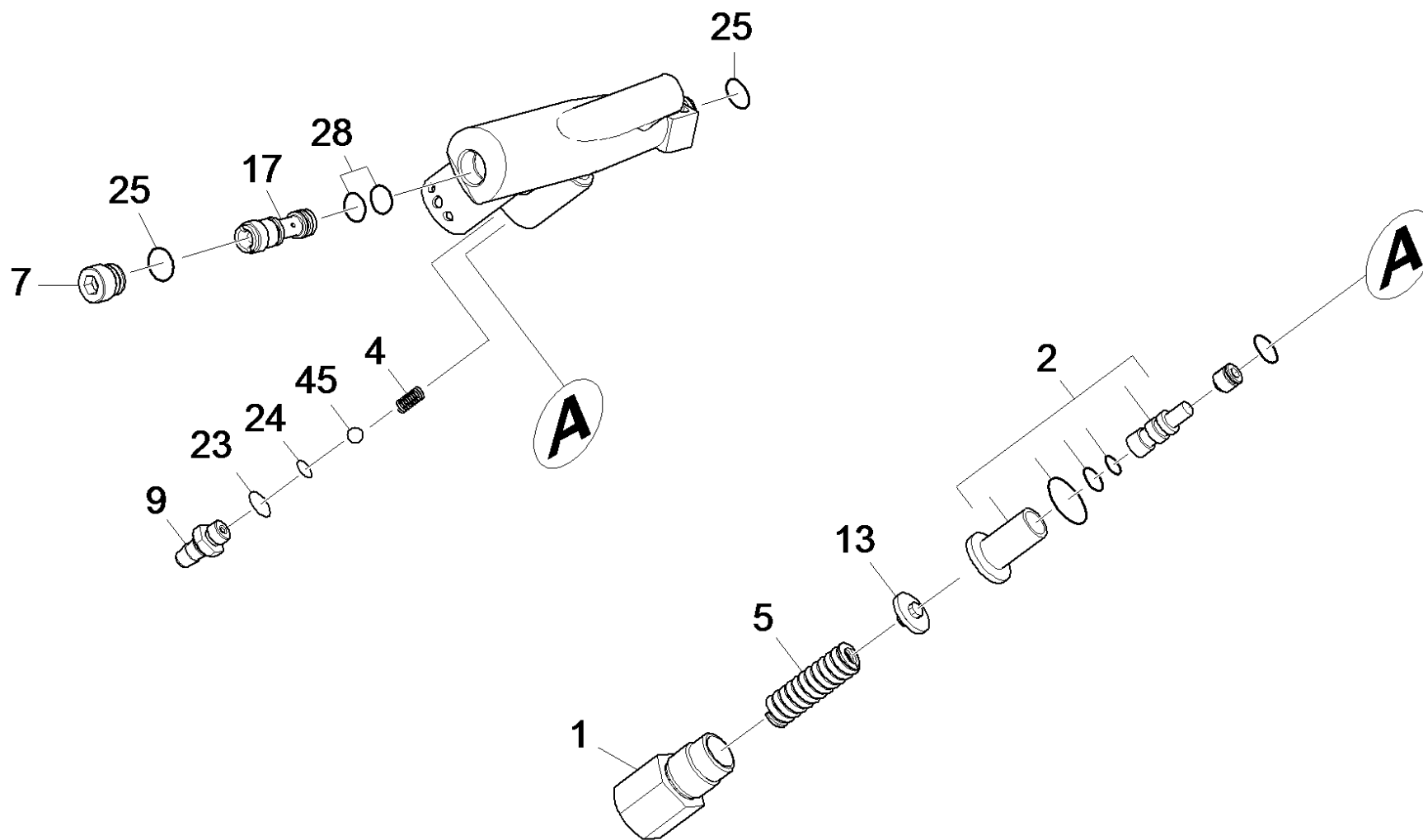
POS	Article no.	Description	Quantity	Unit
3	6.343-142.0	Snap ring WR 22	1	ST

3 Cylinder head complete -H



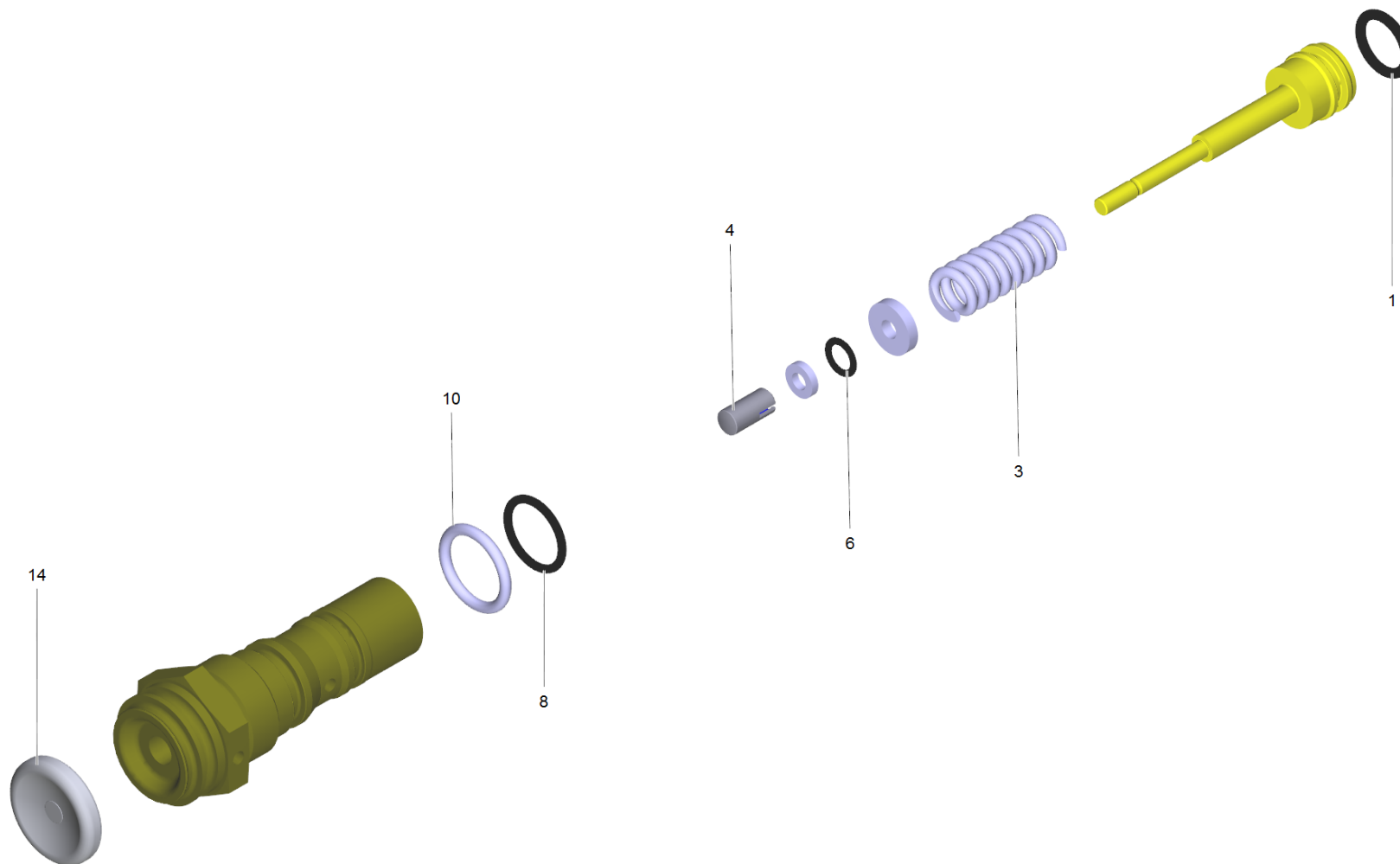
3 Cylinder head complete -H

POS	Article no.	Description	Quantity	Unit
1		Part at pump set	1	ST
3		Part at pump set	1	ST
4	2.885-238.0	Spare part set overflow valve	1	ST
16	5.110-947.0	Sleeve	1	ST
20	5.411-152.0	Screw plug	3	ST
21	5.332-999.0	Helical spring	1	ST
22	5.332-511.0	Helical spring	1	ST
25	5.411-161.0	CLOSING SCREW M10X1	2	ST
27	4.591-063.0	Overflow valve complete	1	ST
28	5.550-367.0	Cylinder head HD 13/12-4 ST	1	ST
29	2.885-233.0	Manifold low-pressure intake	1	ST
30	2.885-226.0	Spare part set control piston	1	ST
31	5.581-270.0	Valve seat	1	ST
33	5.583-146.3	Valve screw	3	ST
34	5.583-180.0	Valve screw M20x1	3	ST
37	2.885-231.0	Spare part set nozzle insert only for re	1	ST
38	5.411-166.0	CLOSING SCREW	1	ST
44	6.363-485.0	O-Ring seal 10x 2 mm HNBR Shore 80	1	ST
45		Part at pump set	1	ST
46		Part at pump set	1	ST
47	6.363-452.0	O-Ring seal 11 x 1,5	1	ST
52	6.363-350.0	O-Ring seal 8.74x1.78	1	ST
53		Part at pump set	1	ST
54	6.363-519.0	O-Ring seal 12,00x 2,00	1	ST
55		Part at pump set	1	ST
56		Part at pump set	1	ST
61	6.363-330.0	O-Ring seal 2,9 x 1,78	1	ST
63		Part at pump set	1	ST
68	7.306-118.0	Screw M 6x35 -8.8-R3R (In6Rd)	6	ST
71	7.401-910.0	Sphere 3/8 G80-1.4034 DIN 5401	1	ST



27 Overflow valve complete (4.591-063.0)

POS	Article no.	Description	Quantity	Unit
1	5.304-114.0	Hexagonal head screw bush	1	ST
2	2.885-232.0	Wearing parts set	1	ST
4	5.332-258.0	Helical spring	1	ST
5	5.332-444.0	Helical spring	1	ST
7	5.411-168.0	Valve screw M16x1	1	ST
9	5.443-370.0	Nipple	1	ST
13	5.584-169.0	Valve pin	1	ST
17	5.769-227.0	Nozzle insert	1	ST
23	6.363-496.0	O-Ring seal 7,0x2,0	1	ST
24	6.363-489.0	O-Ring seal 5,28x1,78	1	ST
25	6.363-485.0	O-Ring seal 10x 2 mm HNBR Shore 80	2	ST
28	6.363-331.0	O-Ring seal 9,0 x 1,5	2	ST
45	7.401-908.0	Sphere 7 G300 -1.4301 DIN 5401	1	ST

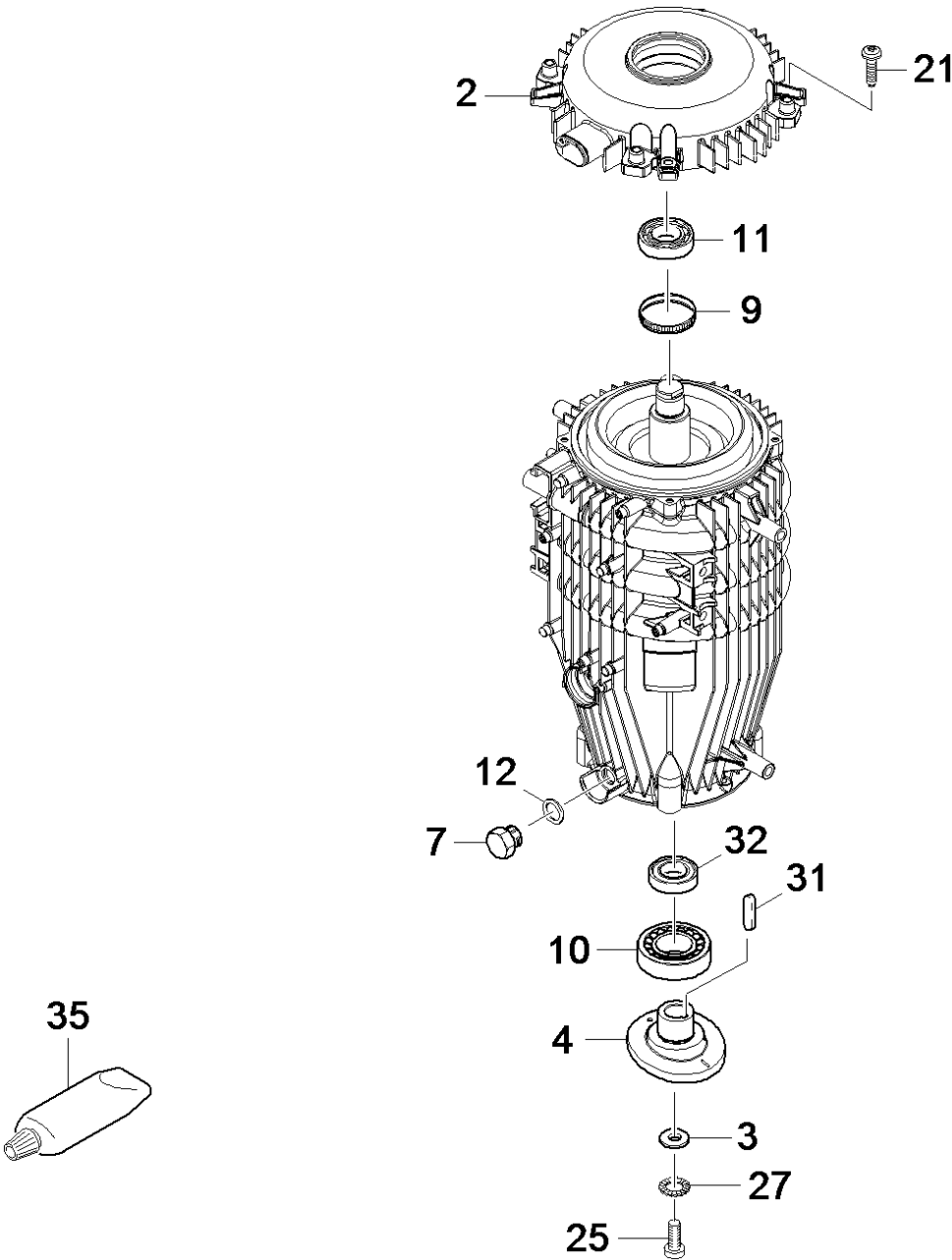


30 Spare part set control piston (2.885-226.0)

POS	Article no.	Description	Quantity	Unit
1	6.363-350.0	O-Ring seal 8.74x1.78	1	ST
3	5.332-511.0	Helical spring	1	ST
4	5.110-947.0	Sleeve	1	ST
6	6.363-330.0	O-Ring seal 2,9 x 1,78	1	ST
8	6.363-452.0	O-Ring seal 11 x 1,5	1	ST
10	6.363-519.0	O-Ring seal 12,00x 2,00	1	ST
14	5.367-030.0	Diaphragm	1	ST

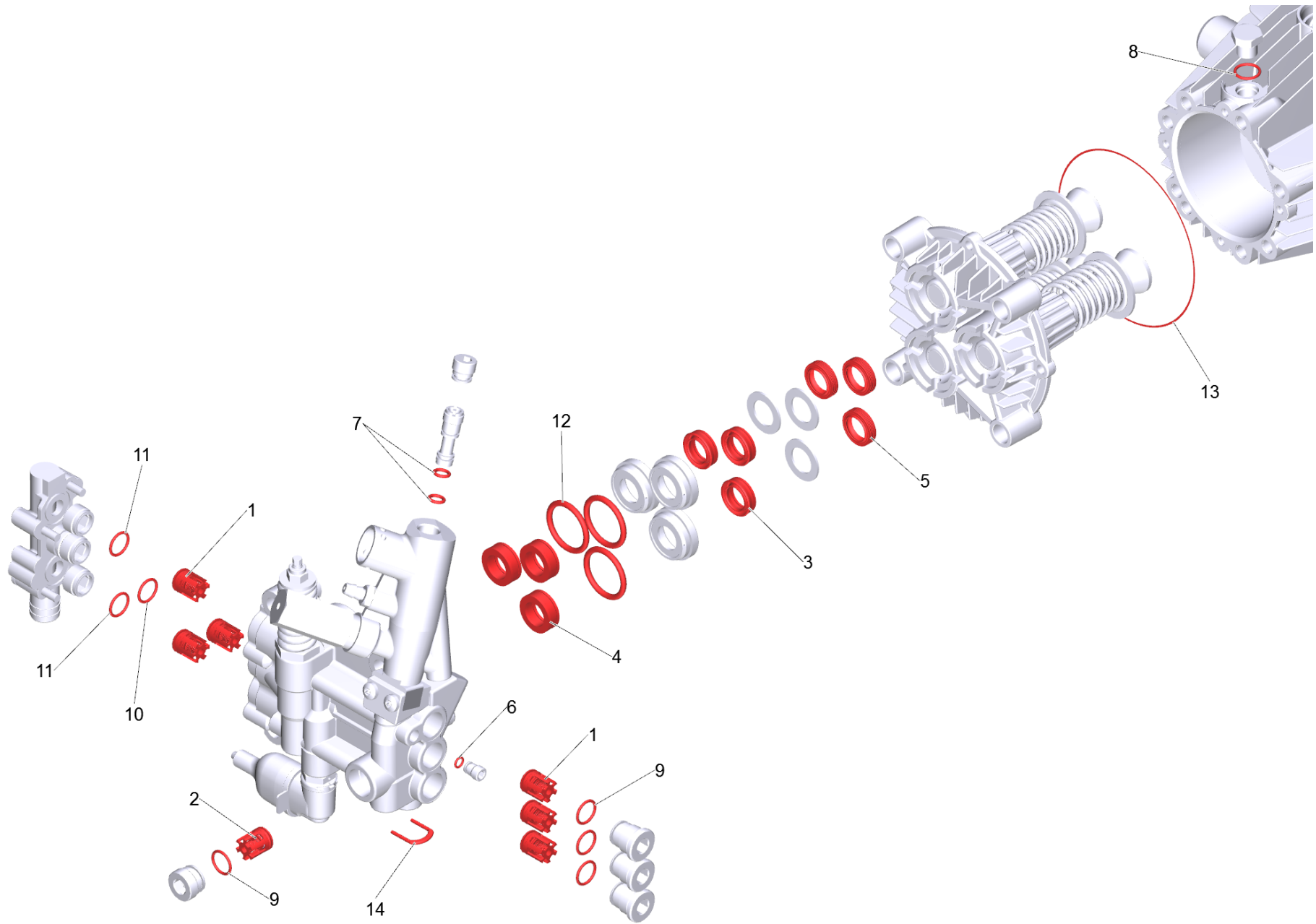
4 Motor complete only for replacement (4.624-224.0)

POS	Description	Quantity	Unit
1	Motor complete HD 13/12-4ST 60Hz	1	ST



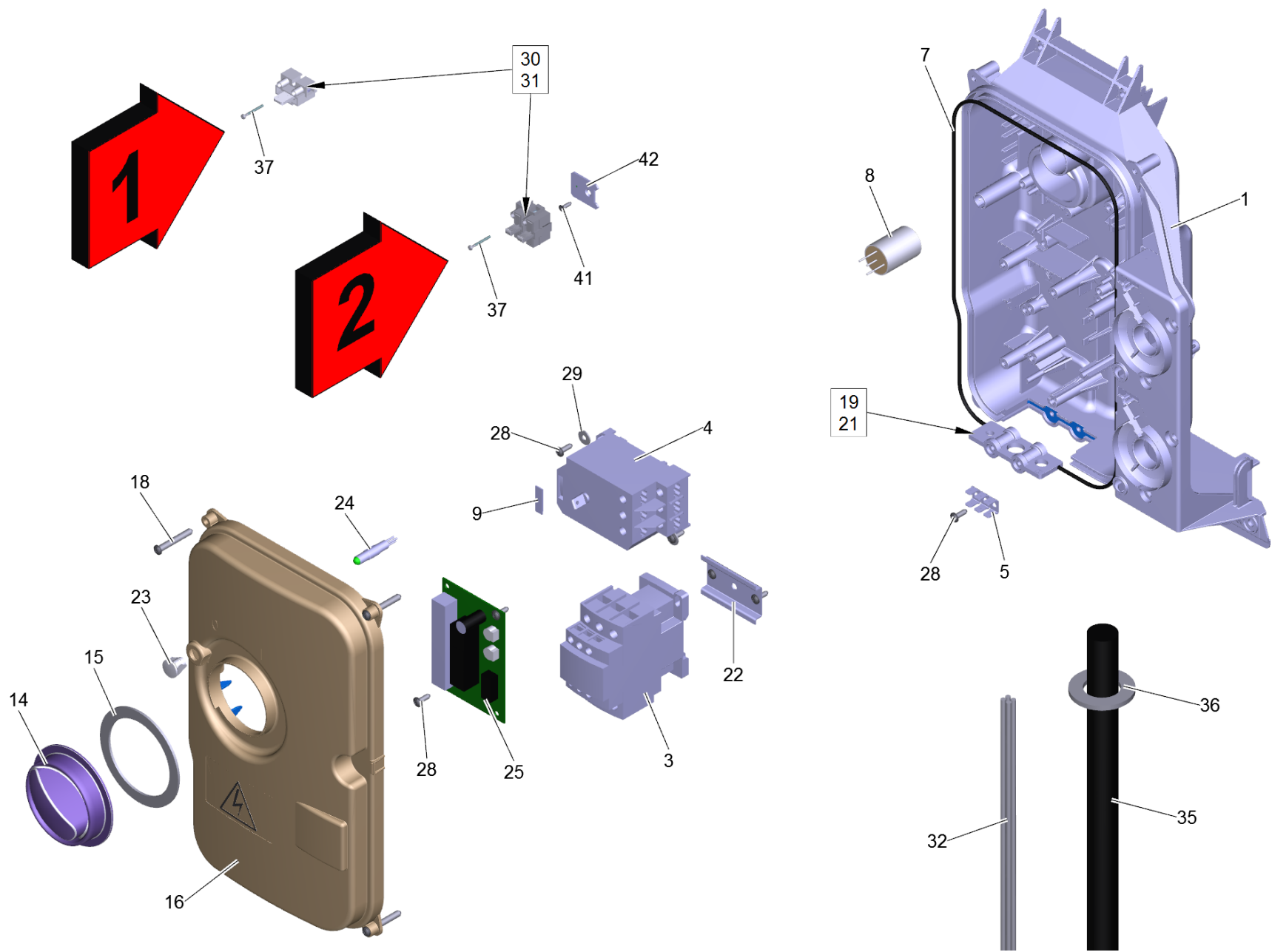
1 Motor complete HD 13/12-4ST 60Hz

POS	Article no.	Description	Quantity	Unit
2	5.064-006.0	Bearing cover B	1	ST
3	5.115-565.0	Washer	1	ST
4	5.120-361.0	Wobble plate	1	ST
7	5.411-100.0	Screw plug	1	ST
9	6.343-010.0	Tolerance ring 62x10	1	ST
10	6.401-225.3	Taper roller bearing 41	1	ST
11	6.401-253.0	Ball bearing 6305-2Z	1	ST
12	6.363-498.0	O-Ring seal 11,0x2,0 HNBR	1	ST
21	6.303-515.0	Self-tapping screw M6x25	4	ST
25	7.306-041.0	Cylinder head screw M8x20 -8.8-A2E ISO	1	ST
27	7.312-159.0	Toothed lock washer A8,4-FST-PH DIN 679	1	ST
31	7.318-035.0	Parallel key 8x7x25 -C45K DIN 6885-1	1	ST
32	7.367-012.0	Radial shaft seal ring A35x52x7 -FKM DIN	1	ST
35	6.288-044.0	Silicon grease 100 G	1	ST



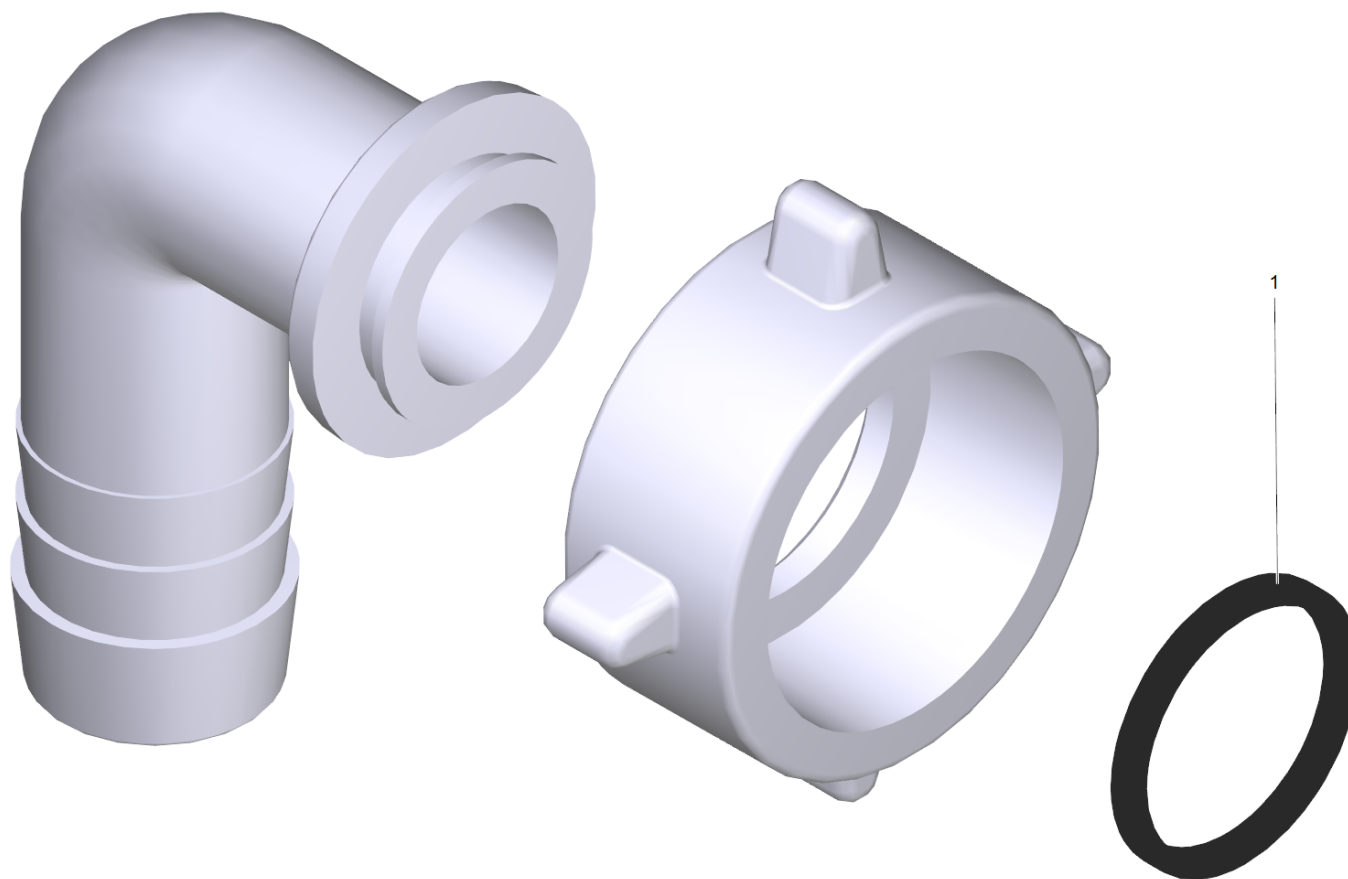
100 Pump set HD 13/12-4 ST-H (2.885-319.0)

POS	Article no.	Description	Quantity	Unit
1	2.885-229.0	Valve only for replacement	2	ST
2	4.580-734.0	Valve complete	1	ST
3	2.885-253.0	Set of gaskets ND PTFE (3x)	1	ST
4	2.885-234.0	Set of gaskets high pressure (3 Stueck)	1	ST
5	6.365-422.0	Grooved ring 22X30X7/6	3	ST
6	6.363-543.0	O-Ring seal 6,0 x 1,5 HNBR 70 Shore	3	ST
7	6.363-331.0	O-Ring seal 9,0 x 1,5	2	ST
8	6.363-498.0	O-Ring seal 11,0x2,0 HNBR	1	ST
9	6.363-459.0	O-Ring seal 14 x 2	4	ST
10	6.363-542.0	O-Ring seal 16,0 x 2,0 HNBR 70 Shore	1	ST
11	6.363-541.0	O-Ring seal 21 x 1,78 HNBR 70 Shore	2	ST
12	6.363-545.0	O-Ring seal 36,0 x 2,0 HNBR 70 Shore	3	ST
13	6.363-544.0	O-Ring seal 114,0 x 3,0 HNBR 70 Shore	1	ST
14	5.034-494.0	Retaining bracket	1	ST
15	6.288-072.0	Silicon grease	1	ST



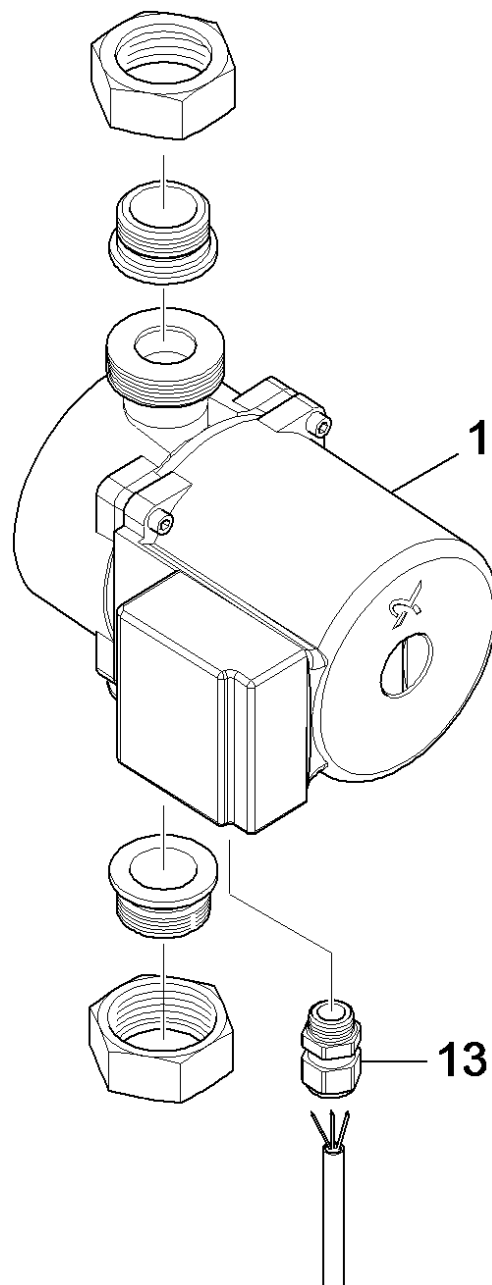
4 Electric control box HD-ST 400V

POS	Article no.	Description	Quantity	Unit	Foot note text
1	5.062-336.0	Housing electric control box	1	ST	
3	6.632-356.0	Contacto LC1-D18 B7	1	ST	
4	6.631-190.0	Motor protecting switch	1	ST	
5	6.641-270.0	Plug	1	ST	
7	6.273-037.0	Seal string cellular rubber 3	0,8	M	
8	6.661-302.0	Interference suppressor triple-pole	1	ST	
9	6.630-049.0	Cap	1	ST	
10	4.820-476.0	Cable black 2,5mm ² x250mm	3	ST	
14	5.321-692.0	Handle	1	ST	
15	5.363-616.0	Joint ring	1	ST	
16	5.064-413.0	Cover electric control box	1	ST	
18	7.303-085.0	Screw 4x 35 -10.9-R2R (K-In6Rd)	4	ST	
19	5.263-101.0	Tensioning part 10.5/14/7	2	ST	
20	6.641-463.0	Cable tape	4	ST	
21		Sheet metal screw ST3,9x45 -St-A2K-C-H I	2	ST	
22	5.802-261.0	Mounting part	1	ST	
23	6.651-506.0	Lens housing	1	ST	
24	6.651-505.0	Pilot lamp	1	ST	
25	6.984-610.0	Circuit board control system HD-ST	1	ST	
27	4.820-793.0	Cable brown 1,0mm ² x200mm	2	ST	
28	7.303-106.0	Screw 4x12 -10.9-R2R (IN6RD)	7	ST	
29	7.312-281.0	Washer 4 -200HV-A2E ISO7093-1	2	ST	
30	6.643-336.0	Strip terminal	2	ST	VERSION 1
30	6.643-471.0	Strip terminal with fuse	2	ST	VERSION 2
31	6.644-070.0	Fuse insert medium time-lag G-5,0A	2	ST	
32	6.649-844.0	Cable harness HD-ST	1	ST	
35	6.649-442.0	Cable with plug	1	ST	
36	7.312-098.0	Washer 27 -PA6.6-Natur ISO 7089	1	ST	
37	6.303-245.0	Cylinder head screw 3X18-ST-A2E	1	ST	VERSION 1
37	7.306-045.0	Screw M2x20 -4.8-A2K DIN 84	1	ST	VERSION 2
40	6.642-043.0	Insulating hose 10	0,36	M	
41	7.303-119.0	Countersunk screw 3x10 -10.9-R2R (In6Rd)	1	ST	VERSION 2
42	5.013-470.0	Plate clamp	1	ST	VERSION 2



12 Elbow screw connector R1" (6.391-867.0)

POS	Article no.	Description	Quantity	Unit
1	6.362-358.0	Seal	1	ST



13 Circulation pump (4.540-133.0)

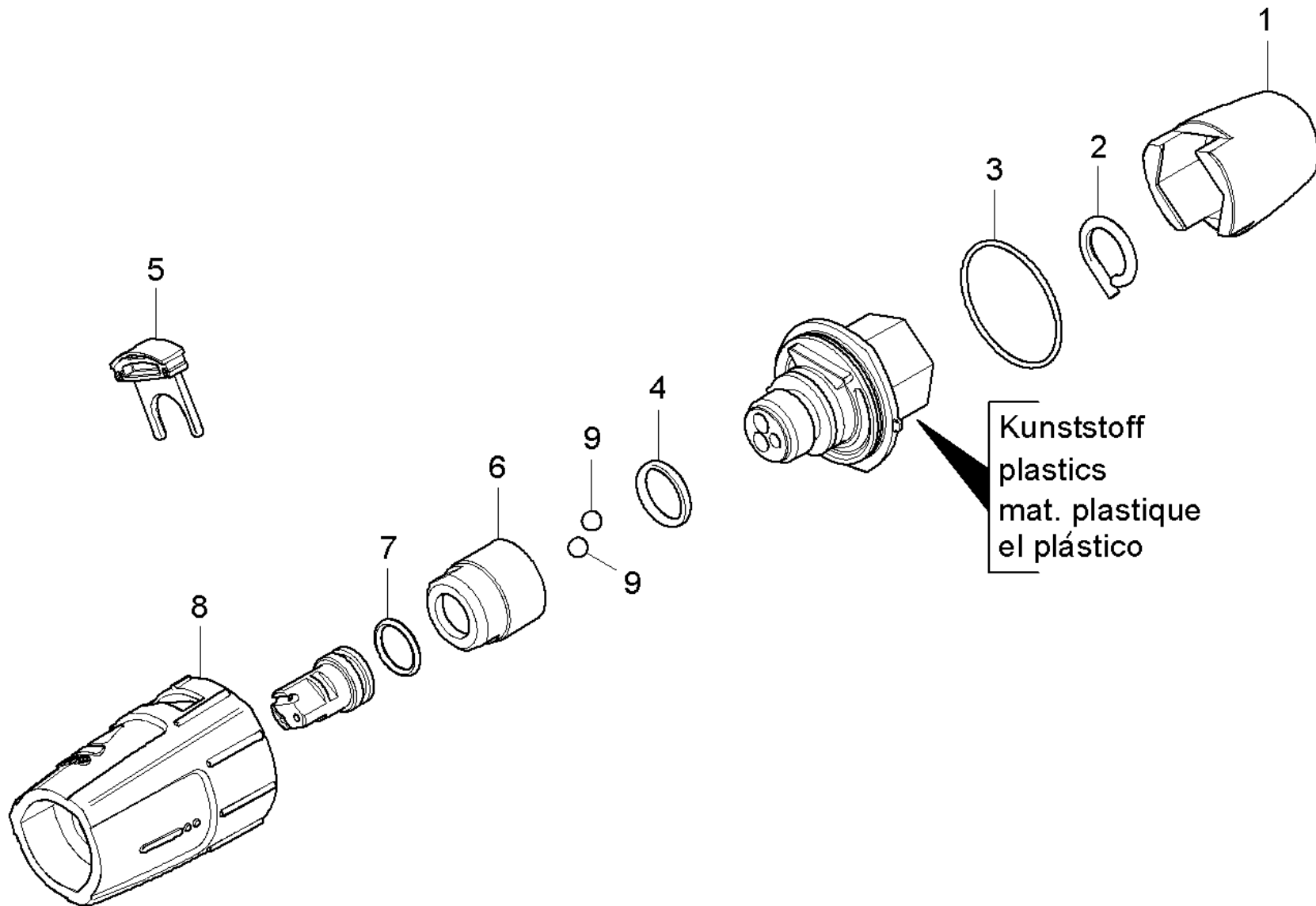
POS	Article no.	Description	Quantity	Unit
1	6.473-533.0	Admission pressure pump one-pole	1	ST
13	6.641-357.0	Cable gland PG11	1	ST

40 Triple jet nozzle only for replacement 0 (4.767-205.0)

POS	Article no.	Description	Quantity	Unit
2	5.970-837.0	Spare parts list triple jet nozzle	1	ST

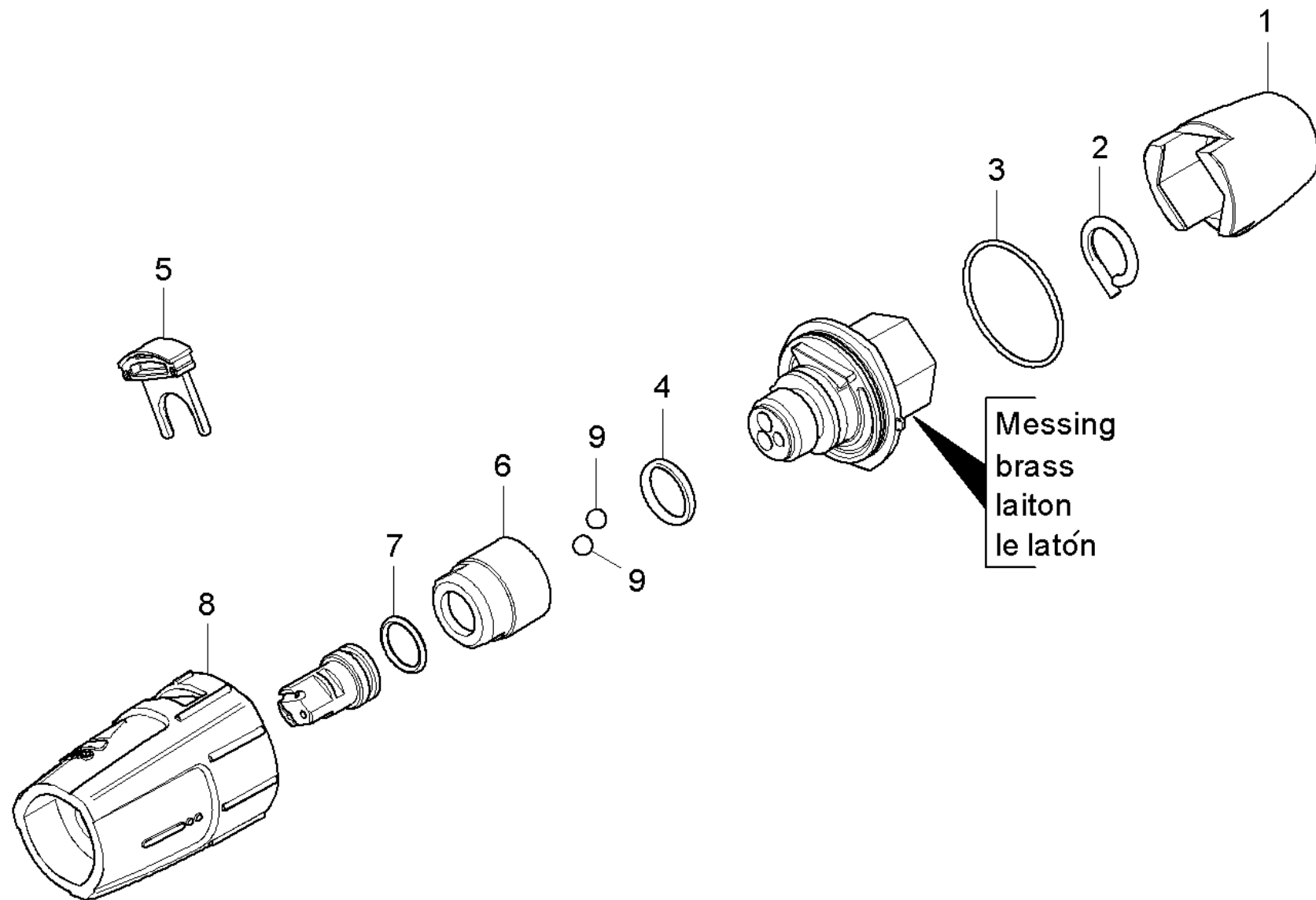
2 Spare parts list triple jet nozzle (5.970-837.0)

POS	Description	Quantity	Unit
10	Triple jet nozzle plastics	1	ST
20	Triple jet nozzle brass	1	ST



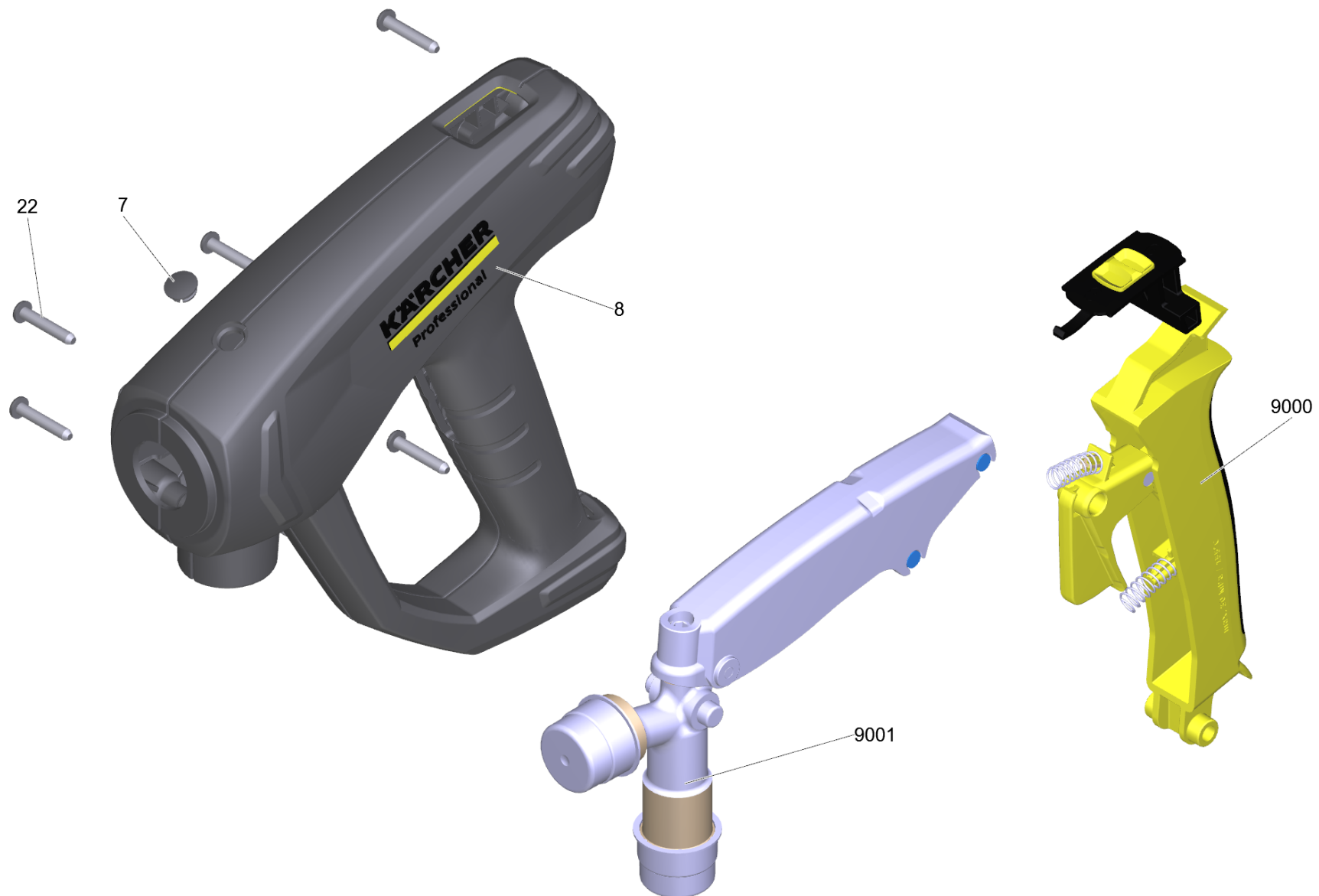
10 Triple jet nozzle plastics

POS	Article no.	Description	Quantity	Unit
1	5.394-530.0	Protection part complete	1	ST
2	6.343-150.0	Pin 03	1	ST
3	6.362-409.0	O-Ring seal 32,0 X 1,5	1	ST
4	7.362-039.0	O-Ring seal 15,5x1,5 -NBR70 DIN 3771	1	ST
5	5.321-884.0	Clamp	1	ST
6	5.311-236.0	Nut	1	ST
7	6.362-480.0	O-Ring seal 12,42x 1,78	1	ST
8	5.394-874.0	Protection part	1	ST
9	7.401-902.0	Sphere 5 G20 -1.4034 DIN 5401	2	ST



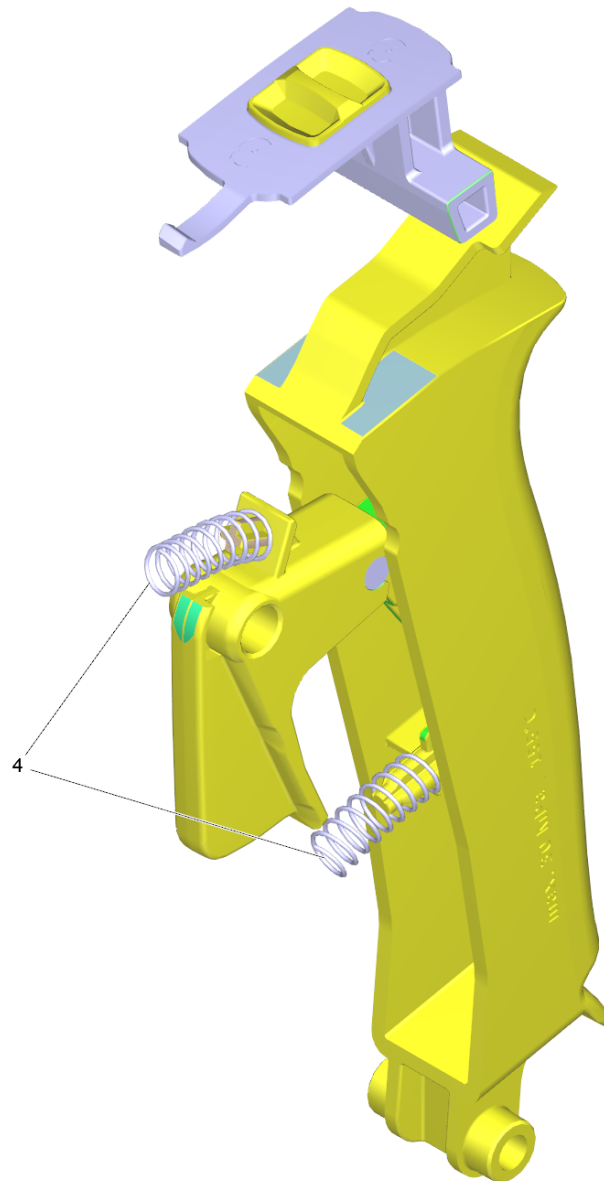
20 Triple jet nozzle brass

POS	Article no.	Description	Quantity	Unit
1	5.394-530.0	Protection part complete	1	ST
2	6.343-150.0	Pin 03	1	ST
3	6.362-409.0	O-Ring seal 32,0 X 1,5	1	ST
4	6.362-460.0	O-Ring seal 14,0 X 2,5-NBR 70	1	ST
5	5.321-884.0	Clamp	1	ST
6	5.311-225.0	Nut	1	ST
7	6.362-480.0	O-Ring seal 12,42x 1,78	1	ST
8	5.394-859.0	Protection part	1	ST
9	7.401-902.0	Sphere 5 G20 -1.4034 DIN 5401	2	ST



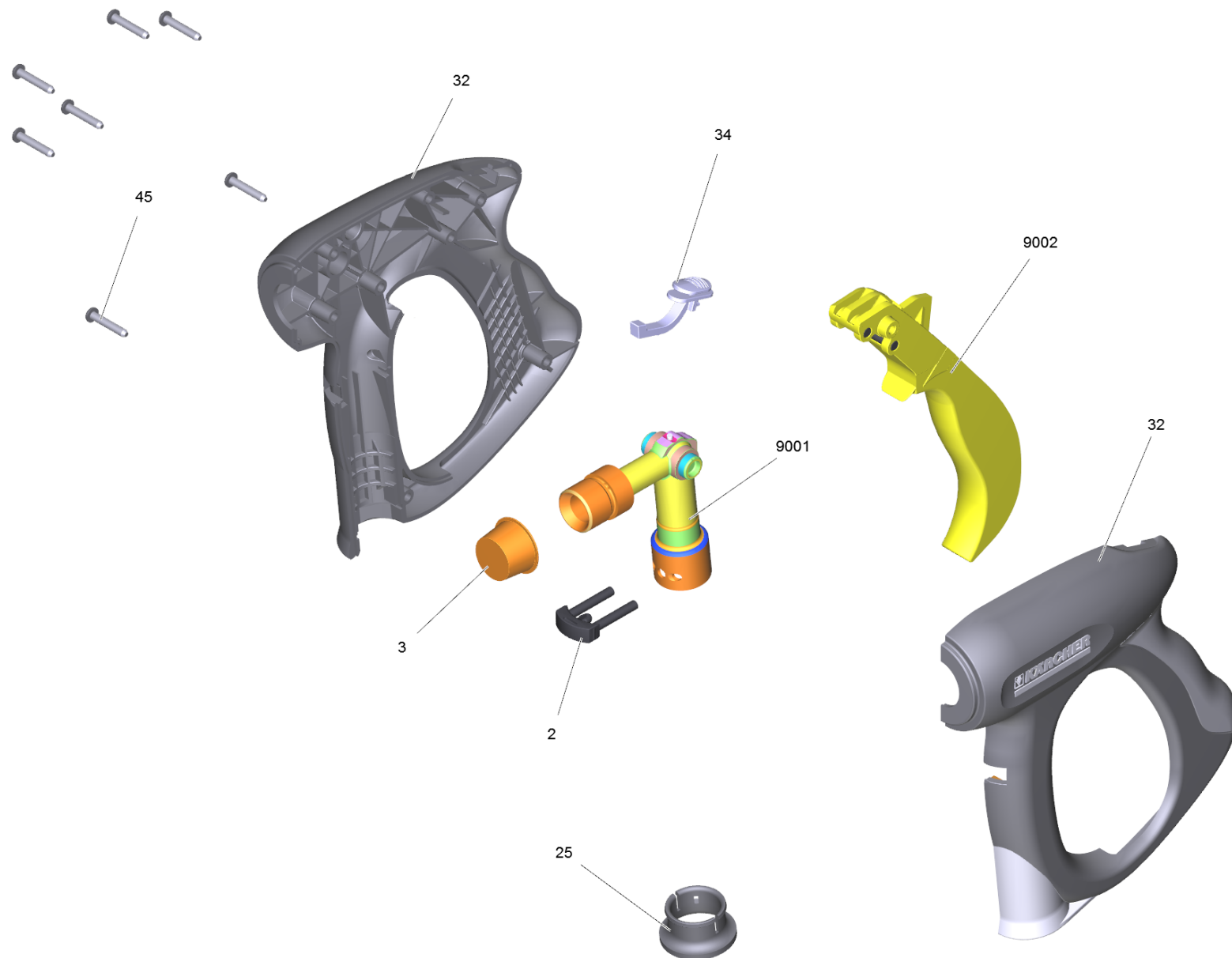
41 EASY!Force Advanced (4.118-005.0)

POS	Article no.	Description	Quantity	Unit
7	5.132-001.0	Plug	1	ST
8	5.321-136.3	Handhold few EH 155 only for replacement	1	ST
22	7.303-096.0	Screw 4x22 -ST-10.9-R2R (IN6RD)	7	ST
9000	2.885-483.0	Spare part set lever	1	ST
9001	4.427-014.0	Manifold TR EH 155 nur fuer Ersatz	1	ST



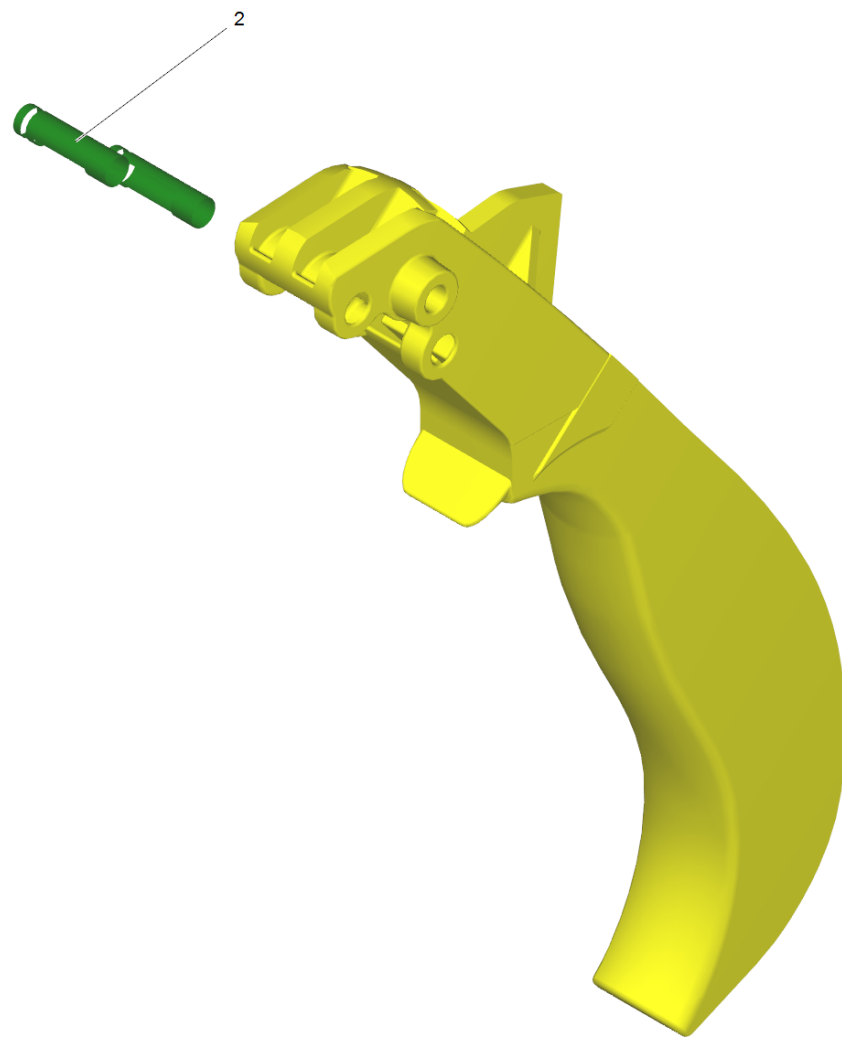
9000 Spare part set lever (2.885-483.0)

POS	Article no.	Description	Quantity	Unit
4	5.332-178.0	Helical spring	2	ST



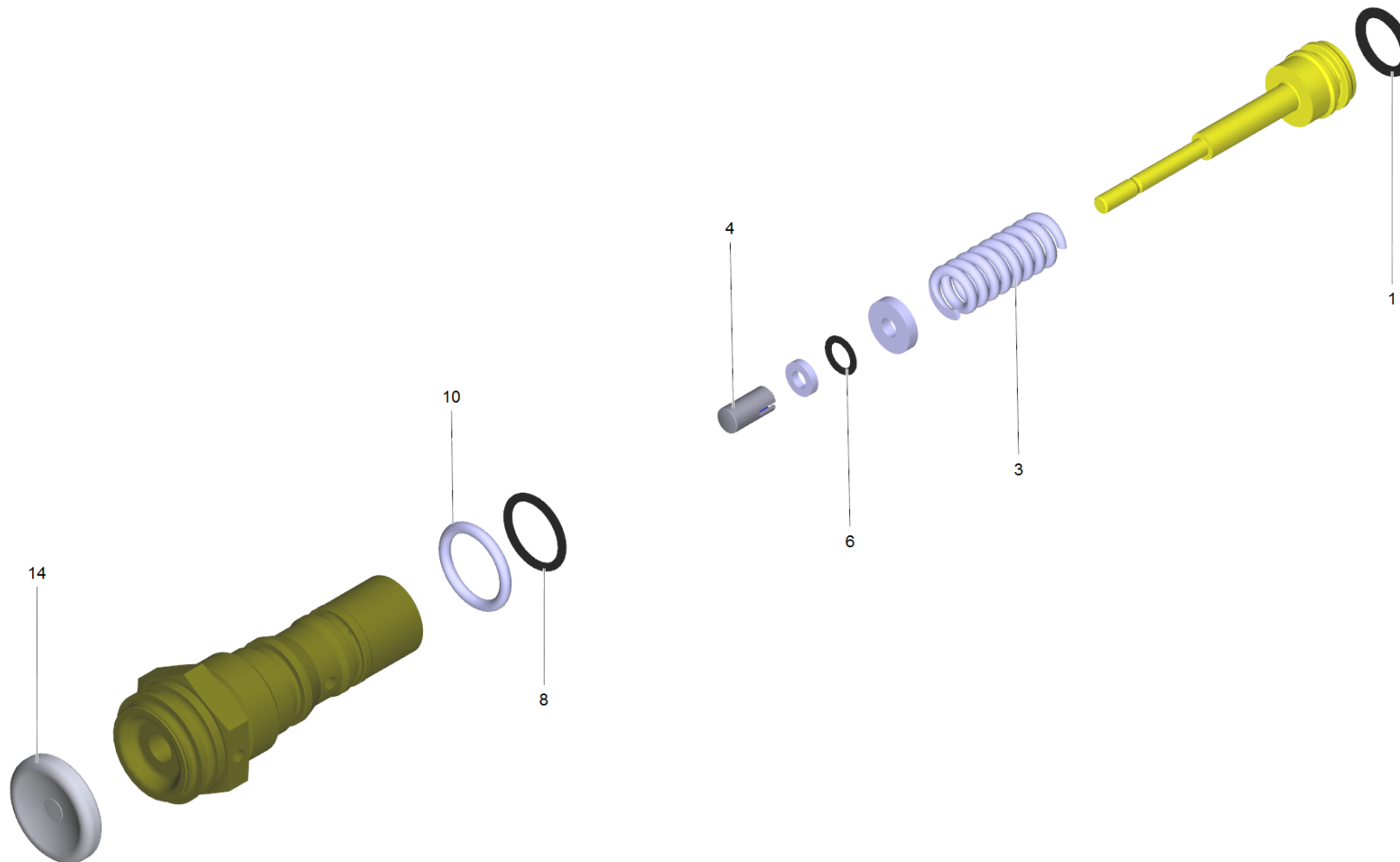
41 HAND TRIGGER GUN EASY PRESS (4.775-463.0)

POS	Article no.	Description	Quantity	Unit
2	4.037-013.0	Hook	1	ST
3	6.368-012.0	Protecting cap 22X1,5	1	ST
4	6.869-075.0	Metal bonding agent 1,5 ml	1	ST
cart_info_txt: This material is not available due to hazardous good regulation. Please procure this or a similar material from a local supplier of your choice.				
25	5.110-596.0	Sleeve	1	ST
32	5.321-669.3	Handhold few	1	ST
34	5.481-331.0	Slider	1	ST
45	7.303-096.0	Screw 4x22 -ST-10.9-R2R (IN6RD)	7	ST
1041	6.288-044.0	Silicon grease 100 G	1	ST
9001	4.427-215.0	Manifold complete only for replacement	1	ST
9002	4.481-209.0	Lever complete	1	ST



9002 Lever complete (4.481-209.0)

POS	Article no.	Description	Quantity	Unit
2	5.314-119.0	Pin	2	ST

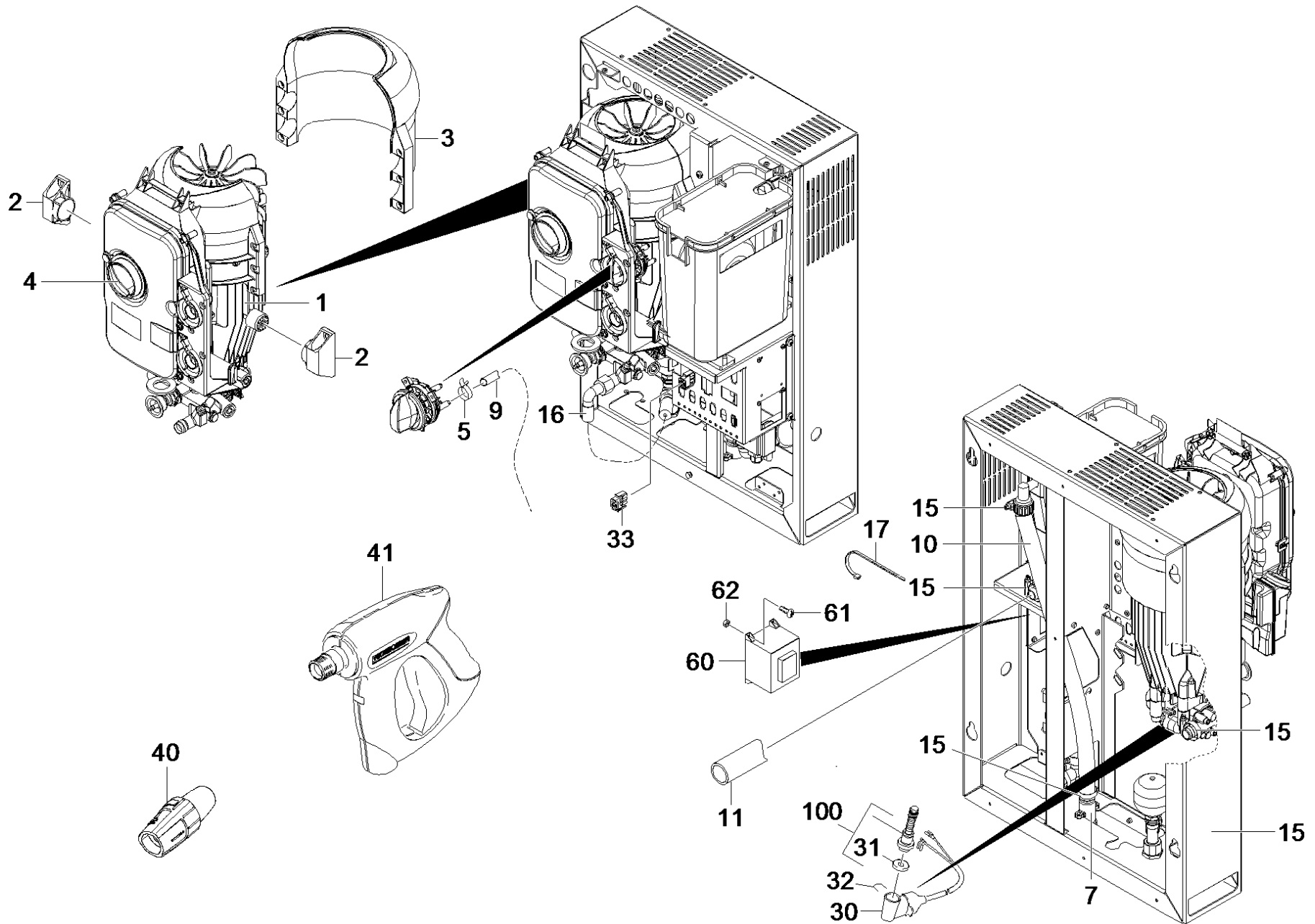


100 Spare part set control piston (2.885-226.0)

POS	Article no.	Description	Quantity	Unit
1	6.363-350.0	O-Ring seal 8.74x1.78	1	ST
3	5.332-511.0	Helical spring	1	ST
4	5.110-947.0	Sleeve	1	ST
6	6.363-330.0	O-Ring seal 2,9 x 1,78	1	ST
8	6.363-452.0	O-Ring seal 11 x 1,5	1	ST
10	6.363-519.0	O-Ring seal 12,00x 2,00	1	ST
14	5.367-030.0	Diaphragm	1	ST

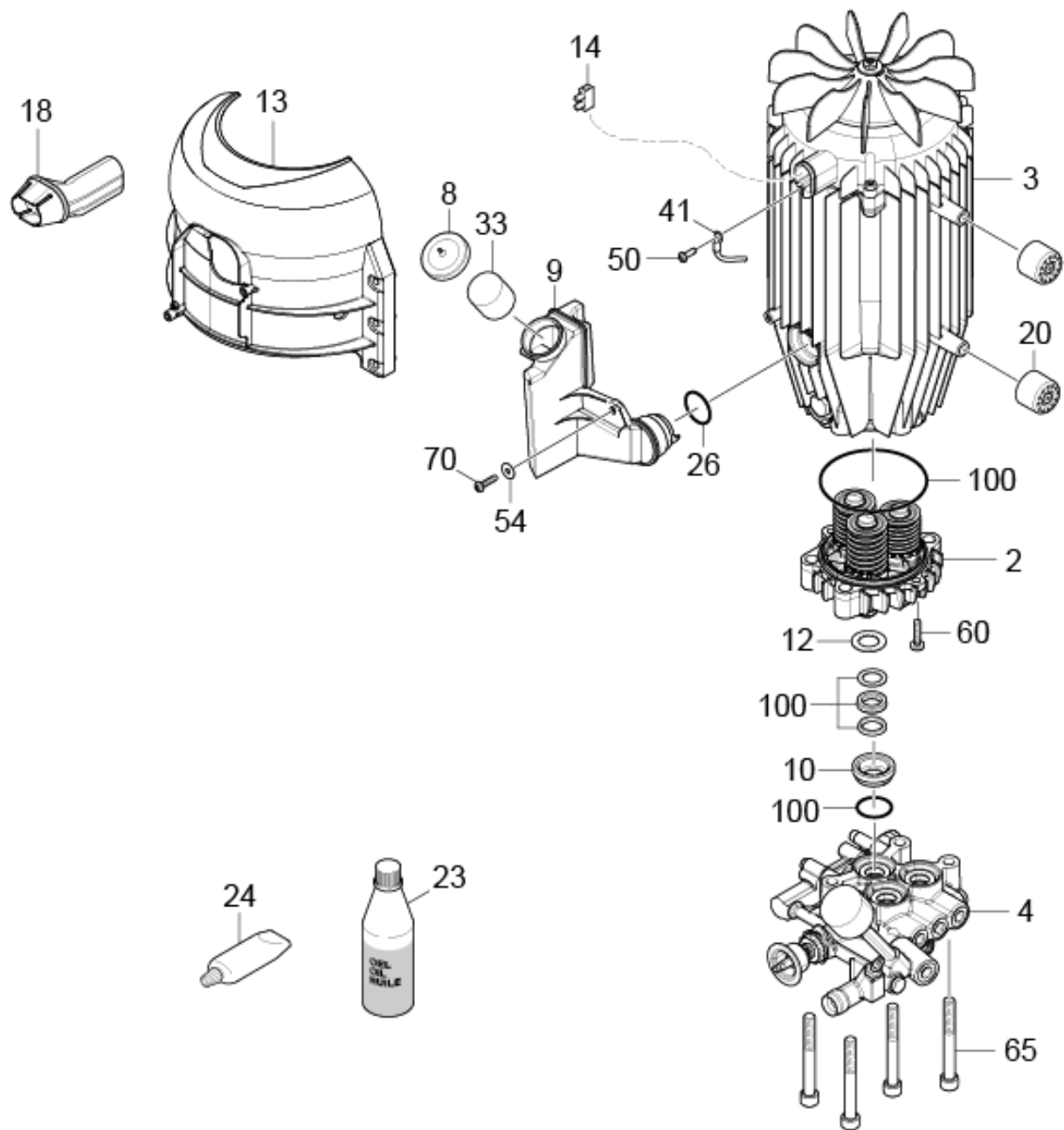
43 Pump set complete HD 7/16-4 ST 380-440V 60Hz

POS	Article no.	Description	Quantity	Unit
1000	2.532-011.3	Spare parts list pump set complete HD 7/	1	ST



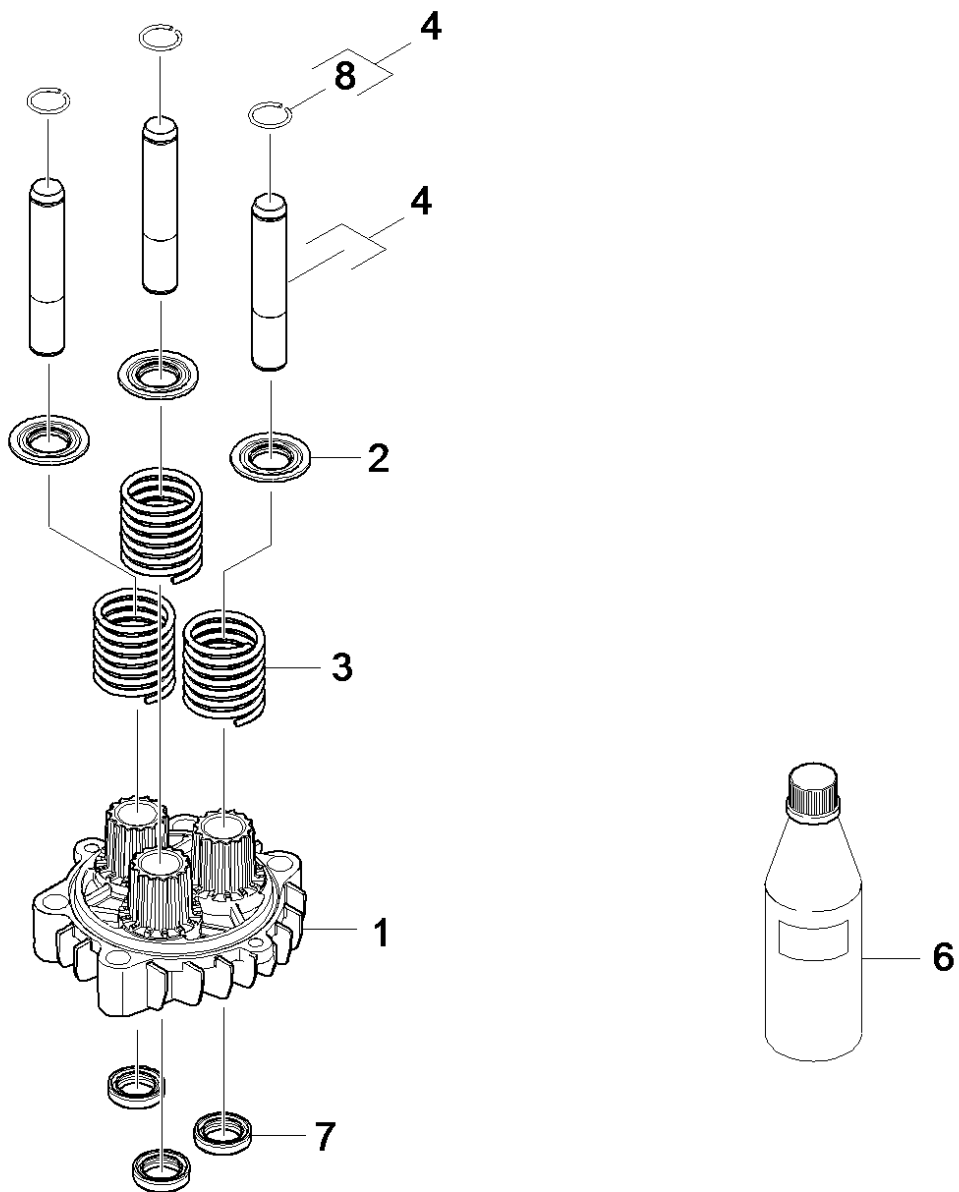
1000 Spare parts list pump set complete HD 7/ (2.532-011.3)

POS	Article no.	Description	Quantity	Unit	Remark
1		Pump set HD 7/16-4 ST 60Hz	1	ST	
2	5.044-891.0	Holder	2	ST	
3	2.885-228.0	Spare part set air circulation	1	ST	
4		Electric control box HD 7/16-4 ST 400V	1	ST	
5	6.390-133.0	Hose clip	2	ST	
7	5.427-432.0	Manifold	1	ST	
9	6.388-247.0	Hose DN8 -PVC	0,44	M	
10	6.388-719.0	Hose DN17	0,57	M	
11	5.443-628.0	Hose	1	ST	
15	7.373-022.0	Hose clip A-16-27x9 -W2-2 DIN3017	4	ST	
16	6.392-198.0	Hose assembly DN8 40MPa 0,46m	1	ST	
17	6.641-465.0	Cable tape	1	ST	
30	4.744-190.0	Switch complete	1	ST	
31	5.367-030.0	Diaphragm	1	ST	
32	5.034-494.0	Retaining bracket	1	ST	
33	6.649-887.0	Plug triple dummy plug	1	ST	
40	4.117-033.0	Triple jet nozzle TR 040	1	ST	1.524-950.2
40	4.767-150.0	Triple jet nozzle only for replacement 0	1	ST	1.524-500.2
41	4.118-005.0	EASY!Force Advanced	1	ST	1.524-950.2
41	4.775-463.0	HAND TRIGGER GUN EASY PRESS	1	ST	1.524-500.2
60	6.622-332.0	Control transformer 96VA - EI78/40,5 380	1	ST	
61	7.306-058.0	Screw M 4X 12- 8.8-R2R K-IN6RD	4	ST	
62	7.311-569.0	Square nut M4 -04-A2E DIN 562	4	ST	
100	2.885-226.0	Spare part set control piston	1	ST	



1 Pump set HD 7/16-4 ST 60Hz

POS	Article no.	Description	Quantity	Unit
2		Housing thrust guidance 10° HD 7/16-4 ST	1	ST
3	4.624-221.0	Motor complete only for replacement	1	ST
4		Cylinder head complete	1	ST
8	5.064-457.0	Cover plate qusty grey oil	1	ST
9	5.070-658.0	Tank oil	1	ST
10	5.112-885.0	Bush	3	ST
12	5.115-432.0	Washer	3	ST
13	2.885-228.0	Spare part set air circulation	1	ST
14	6.643-151.0	Strip terminal one-pole 16mm²	1	ZST
18	5.365-341.0	Profile gasket long	1	ST
20	5.767-005.0	Rubber buffer	4	ST
23	6.288-016.0	Gear oil 1L	1	ST
24		Silicon grease	0,005	ZST
26	6.362-722.0	O-Ring seal 28,0 X 3,0	1	ST
33	5.132-187.0	Plug	1	ST
41	4.820-578.0	Cable green/yellow 1,5mm²x450mm	1	ST
50	7.303-031.0	Screw M4x10 -St-P2R (In6Rd)	1	ST
54	7.312-282.0	Washer 5 -A2 ISO 7093-1	1	ST
60	7.306-094.0	Screw M6x25 -8.8-R3R (In6Rd)	2	ST
65	7.306-807.0	Cylinder head screw M10x85-8.8-A3E ISO4	4	ST
70	6.303-320.0	Screw M 5x 20-St-R2R	1	ST
100	2.885-317.0	Pump set HD 7/16-4 ST-H	1	ST

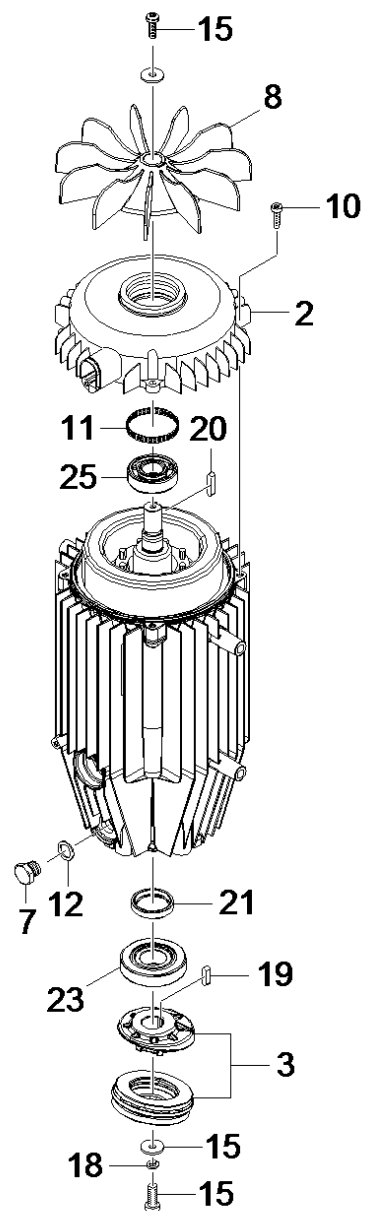


2 Housing thrust guidance 10° HD 7/16-4 ST

POS	Article no.	Description	Quantity	Unit
1	5.061-059.0	Housing	1	ST
2	5.116-134.0	Washer	3	ST
3	5.333-027.0	Helical spring	3	ST
4	4.553-332.0	Spare part set piston complete	3	ST
6	6.288-016.0	Gear oil 1L	1	ST
7		Part at pump set	1	ST
8	7.343-473.0	Snap ring 18 -FST DIN 9925	3	ST

3 Motor complete only for replacement (4.624-221.0)

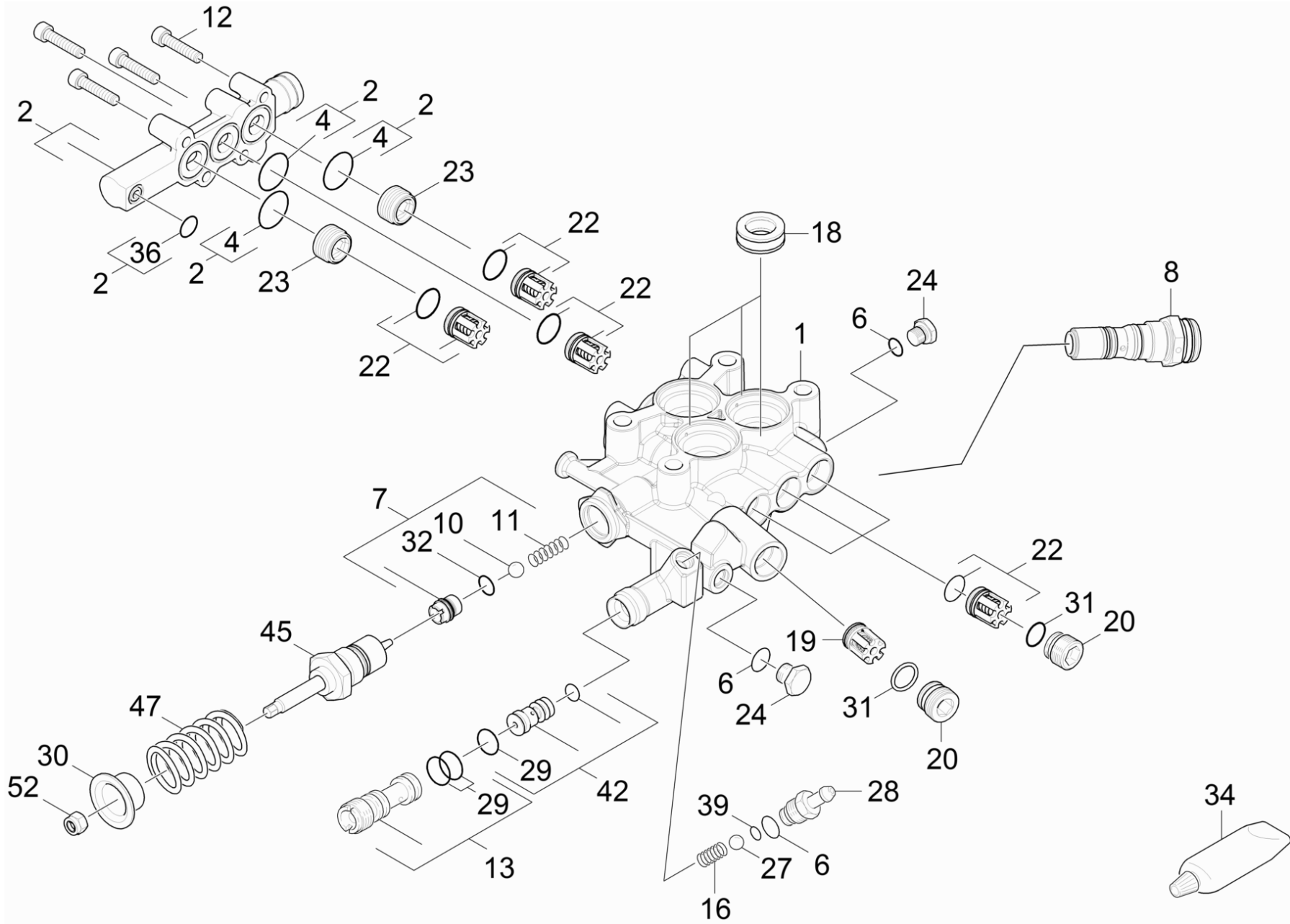
POS	Description	Quantity	Unit
1	Motor complete HD 7/16-4ST 60Hz	1	ST



1 Motor complete HD 7/16-4ST 60Hz

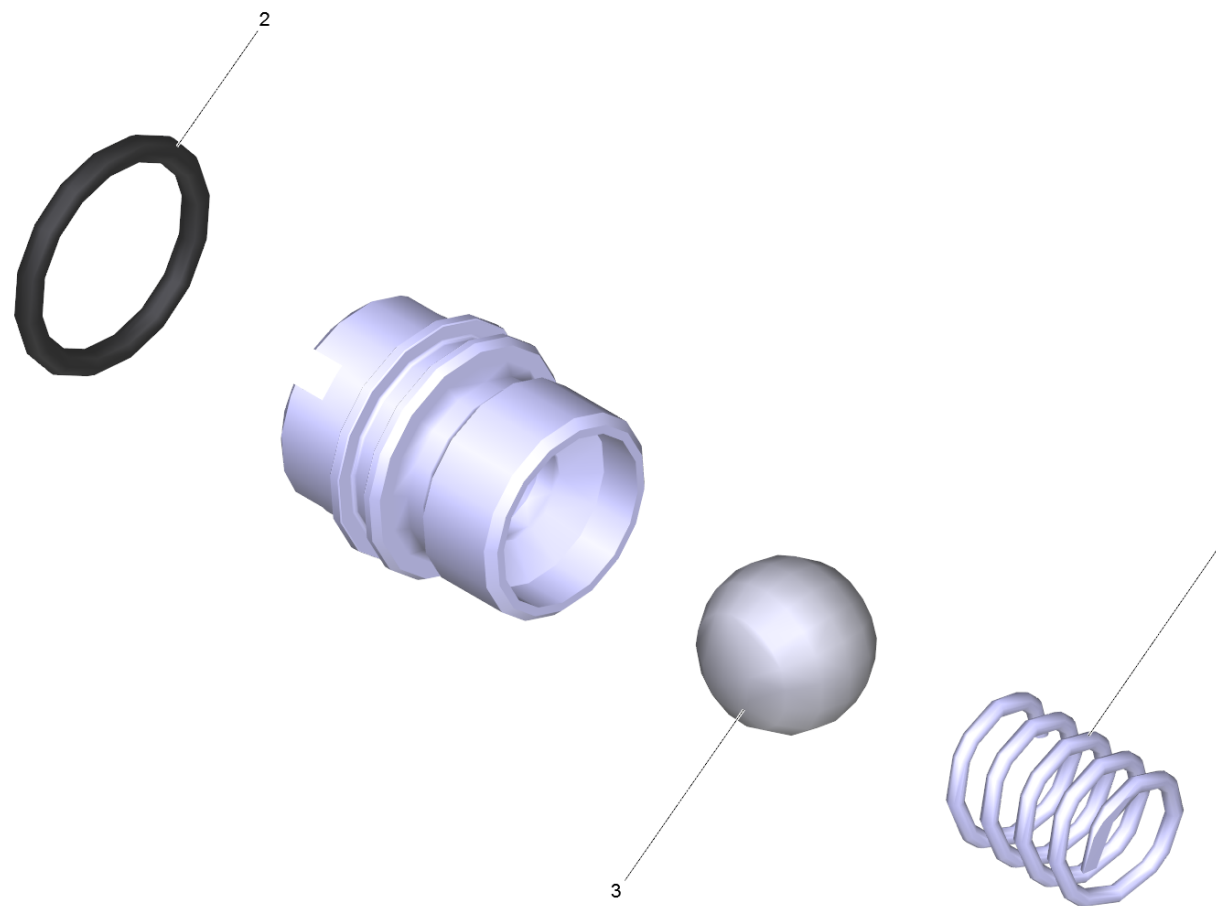
POS	Article no.	Description	Quantity	Unit
2	5.063-707.0	Bearing cover B	1	ST
3	4.120-218.0	Wobble plate	1	ST
7	5.411-100.0	Screw plug	1	ST
8	5.600-046.0	Blower wheel	1	ST
10	6.303-265.0	Self-tapping screw M6x20	4	ST
	Item text2: 46233130			
11	6.343-171.0	Tolerance ring	1	ST
	Item text2: 46233130			
12	6.363-498.0	O-Ring seal 11,0x2,0 HNBR	1	ST
15	7.306-092.0	Screw M6x20-ST- 8.8-R3R (IN6RD)	2	ST
	Item text2: 46233130			
16	7.312-260.0	Washer 6 -100HV-A3E ISO 7094	2	ST
	Item text2: 46233130			
18	7.313-003.0	Spring washer B 6-FSt-A3E DIN 127	1	ST
	Item text2: 46233130			
19	7.318-070.0	Parallel key 5x5x20-C45K DIN 6885-1	1	ST
	Item text2: 46233130			
20	7.318-079.0	Parallel key A 5x5x25-C45K DIN 6885	1	ST
	Item text2: 46233130			
21	7.367-021.0	Radial shaft seal ring A30x40x7 -FKM DI	1	ST
	Item text2: 46233130			
23	6.401-399.0	Taper roller bearing	1	ST
24		Deep groove ball thrust bearing	1	ST
25	6.401-285.0	Ball bearing 6204 2RS	1	ST
	Item text2: 46233130			

4 Cylinder head complete



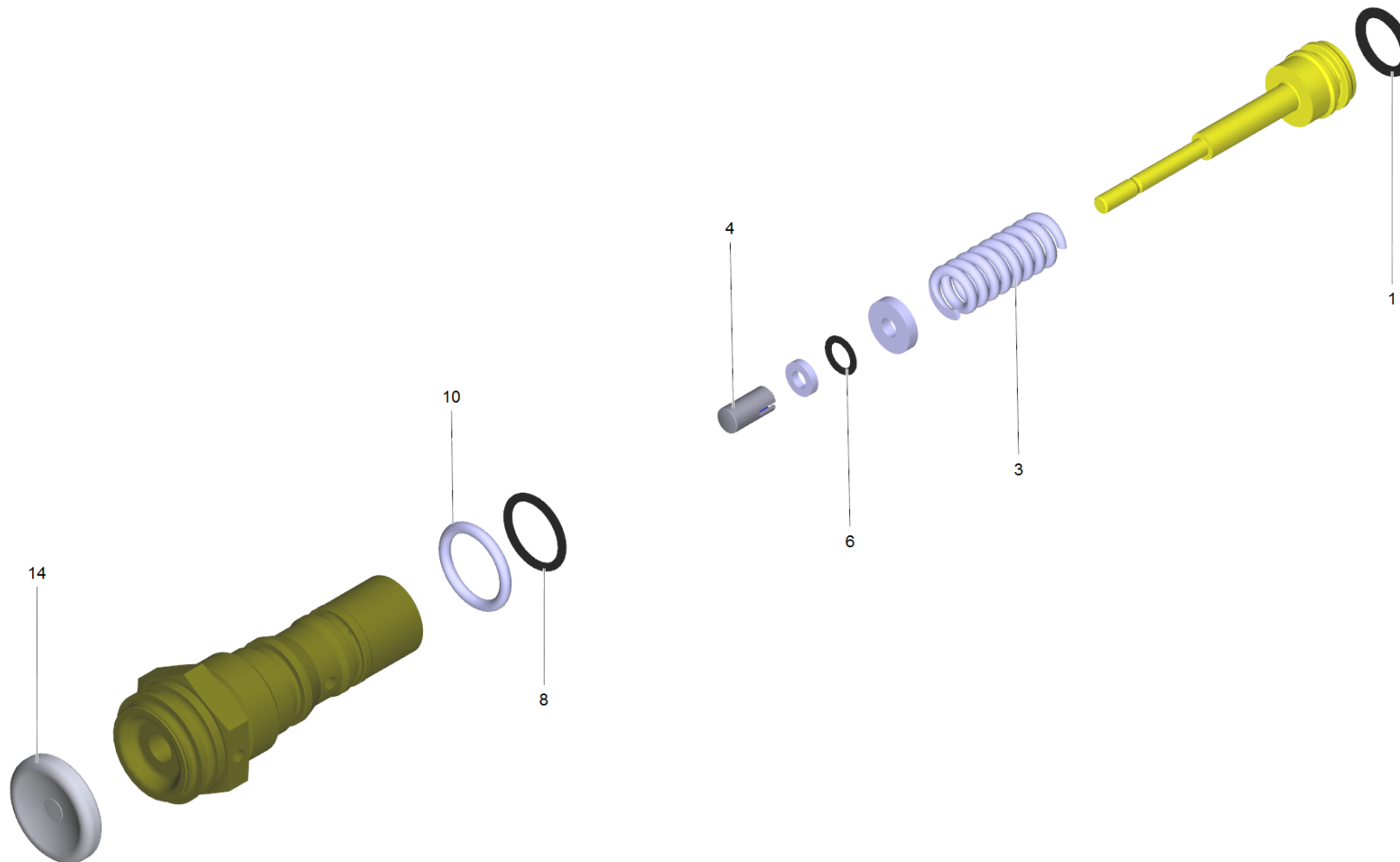
4 Cylinder head complete

POS	Article no.	Description	Quantity	Unit
1	4.550-976.0	Spare part set cylinder head HD	1	ST
2	4.064-023.0	Suction cover complete only for replacem	1	ST
4		Part at pump set	1	ST
6		Part at pump set	1	ST
7	4.481-226.0	Valve seat complete	1	ST
8	2.885-226.0	Spare part set control piston	1	ST
10	7.401-907.0	Sphere 3/8 G200-1.4301 DIN 5401	1	ST
11	5.332-999.0	Helical spring	1	ST
12	7.306-024.0	Cylinder head screw M6x30 -8.8-A2E ISO4762	4	ST
13	5.769-158.0	Nozzle insert D1.6/D2.0/L38	1	ST
16	5.332-258.0	Helical spring	1	ST
18		Part at pump set	1	ST
19		Part at pump set	1	ST
20	4.483-002.0	Valve screw	4	ST
22		Part at pump set	1	ST
23	5.583-177.0	Valve screw M20x1	2	ST
24	5.411-070.0	Screw plug	2	ST
27	7.401-908.0	Sphere 7 G300 -1.4301 DIN 5401	1	ST
28	5.443-370.0	Nipple	1	ST
29	6.362-384.0	O-Ring seal 9x1,5 - NBR 70	3	ST
30	5.112-757.0	Bush	1	ST
31		Part at pump set	1	ST
32	6.362-858.0	O-Ring seal 11,0 X 1,5	1	ST
34	6.288-044.0	Silicon grease 100 G	1	ST
36		Part at pump set	1	ST
39	6.363-597.0	O-Ring seal 5,28 x 1,78	1	ST
42	2.885-230.0	Spare part set nozzle insert only for re	1	ST
45	2.885-227.0	Spare part set overflow valve	1	ST
47	5.332-530.0	Helical spring	1	ST
51		Screw plug pressure switch	1	ST
52	7.311-510.0	Hexagon nut M 8-8-A2E ISO 7040	1	ST



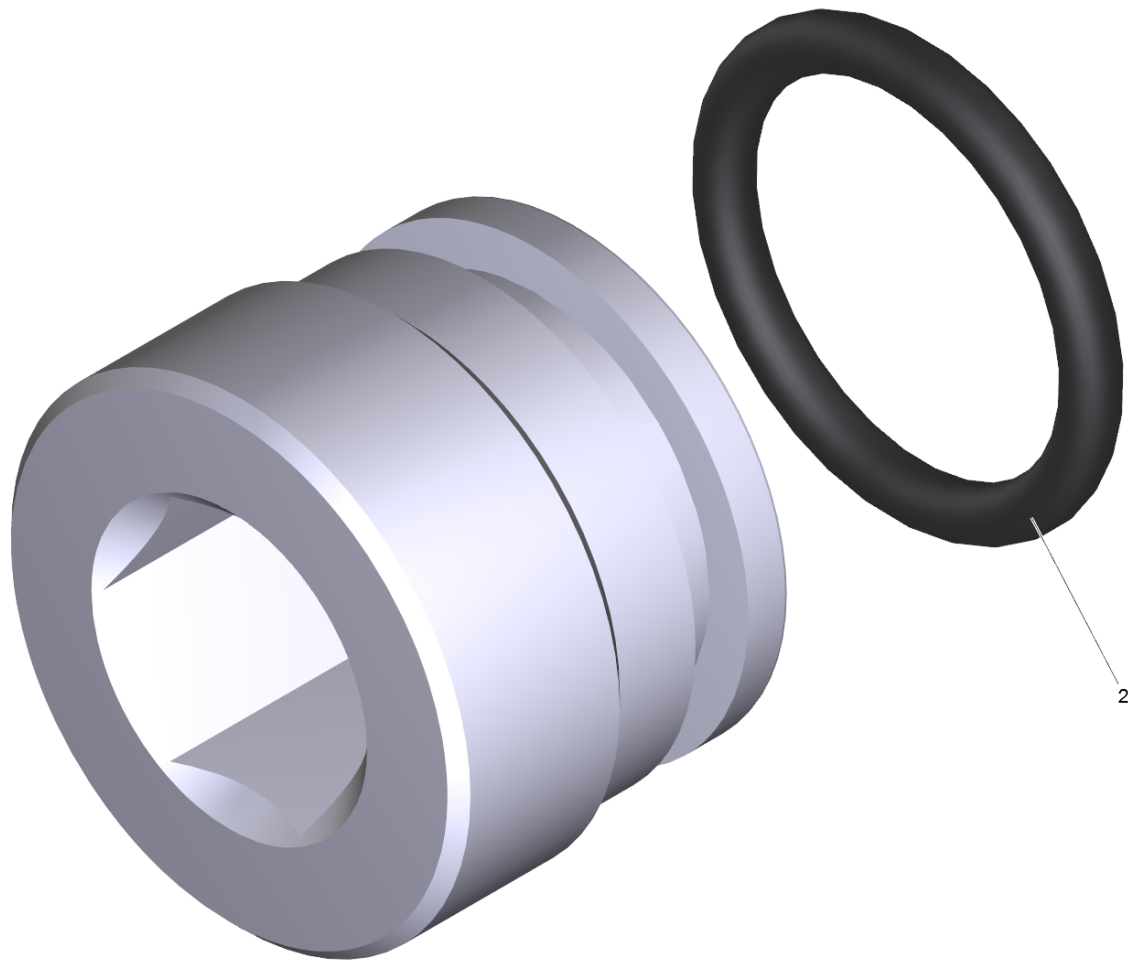
7 Valve seat complete (4.481-226.0)

POS	Article no.	Description	Quantity	Unit
2	6.362-858.0	O-Ring seal 11,0 X 1,5	1	ST
3	7.401-907.0	Sphere 3/8 G200-1.4301 DIN 5401	1	ST
4	5.332-999.0	Helical spring	1	ST



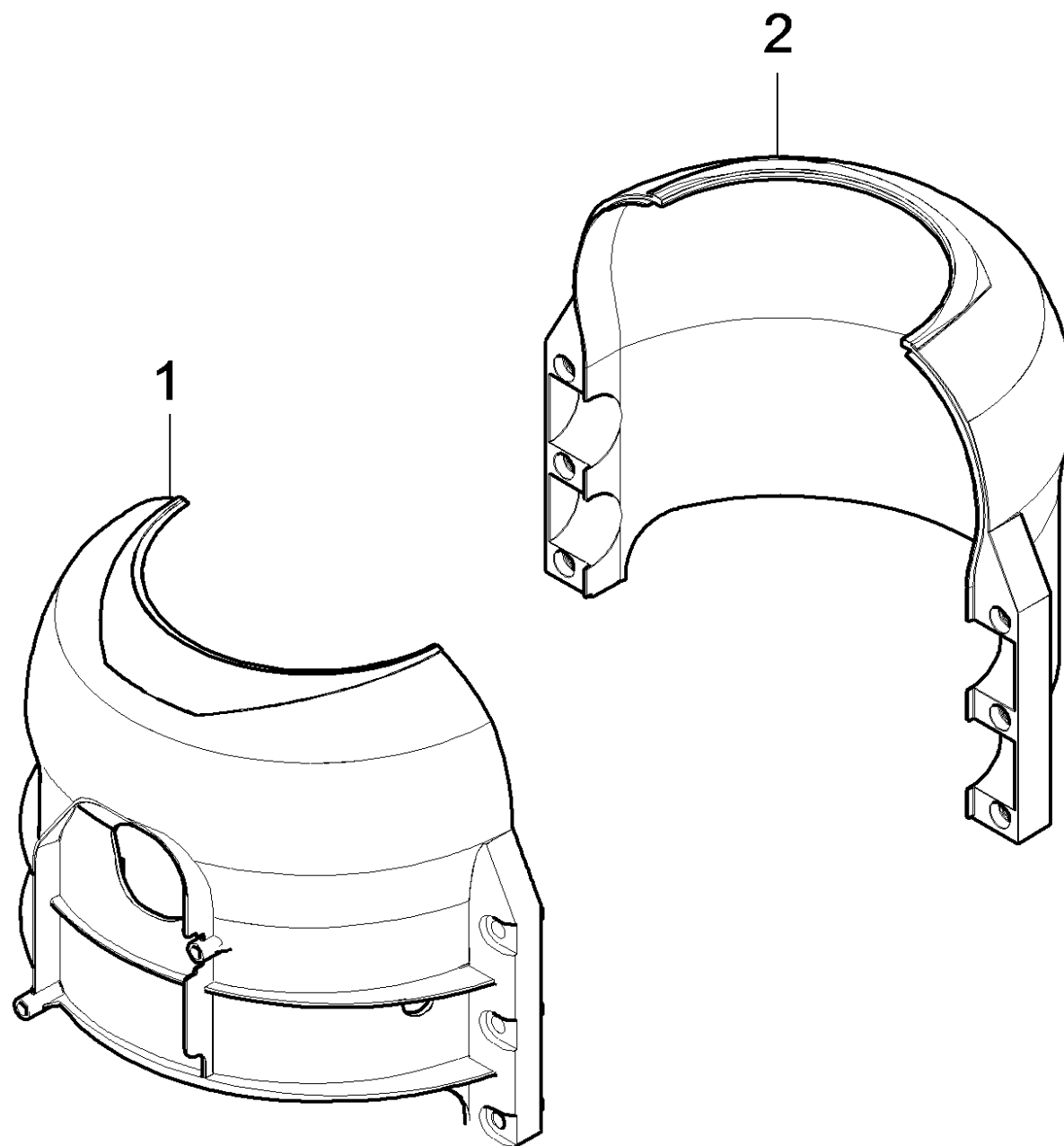
8 Spare part set control piston (2.885-226.0)

POS	Article no.	Description	Quantity	Unit
1	6.363-350.0	O-Ring seal 8.74x1.78	1	ST
3	5.332-511.0	Helical spring	1	ST
4	5.110-947.0	Sleeve	1	ST
6	6.363-330.0	O-Ring seal 2,9 x 1,78	1	ST
8	6.363-452.0	O-Ring seal 11 x 1,5	1	ST
10	6.363-519.0	O-Ring seal 12,00x 2,00	1	ST
14	5.367-030.0	Diaphragm	1	ST



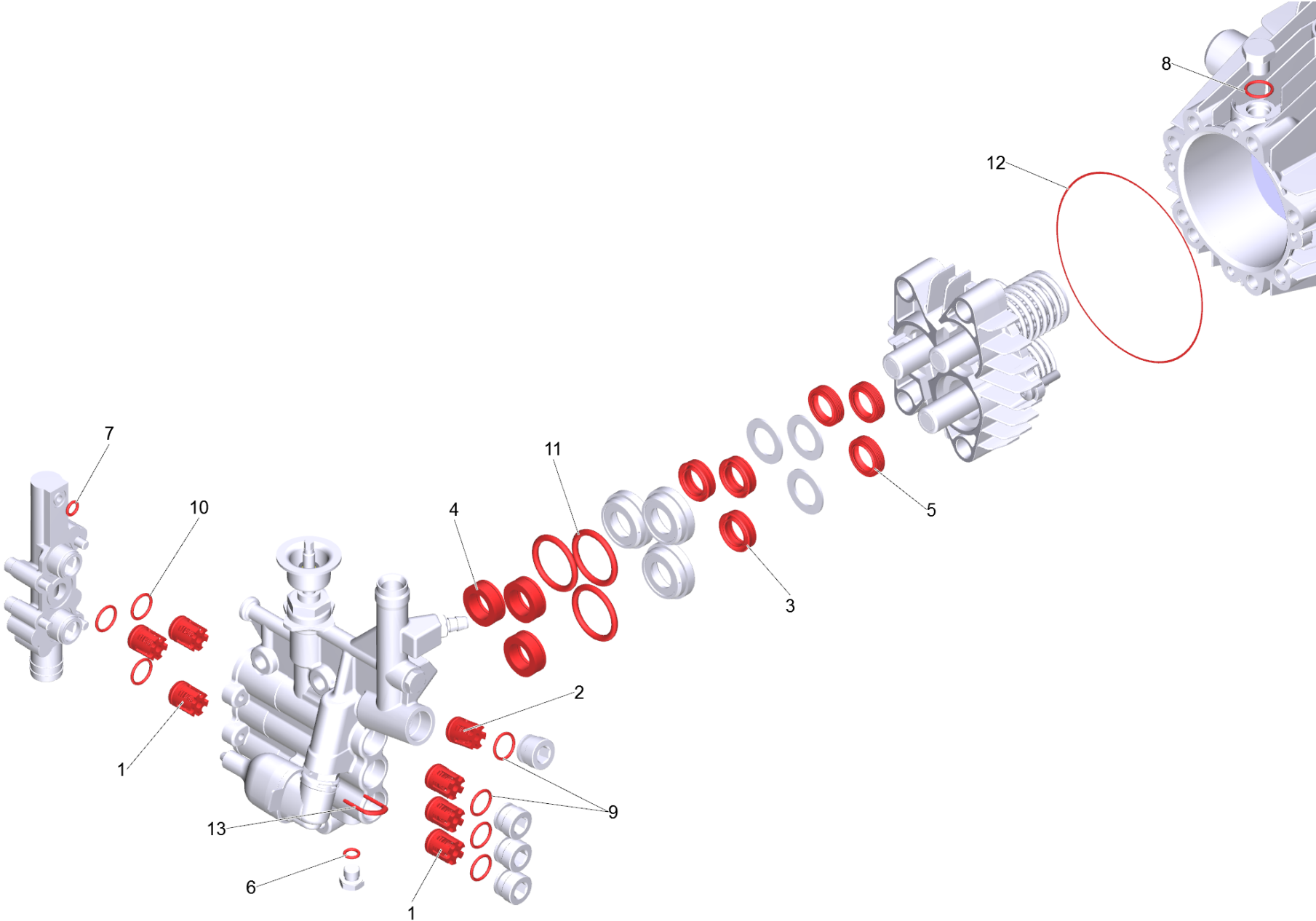
20 Valve screw (4.483-002.0)

POS	Article no.	Description	Quantity	Unit
2	6.363-459.0	O-Ring seal 14 x 2	1	ST



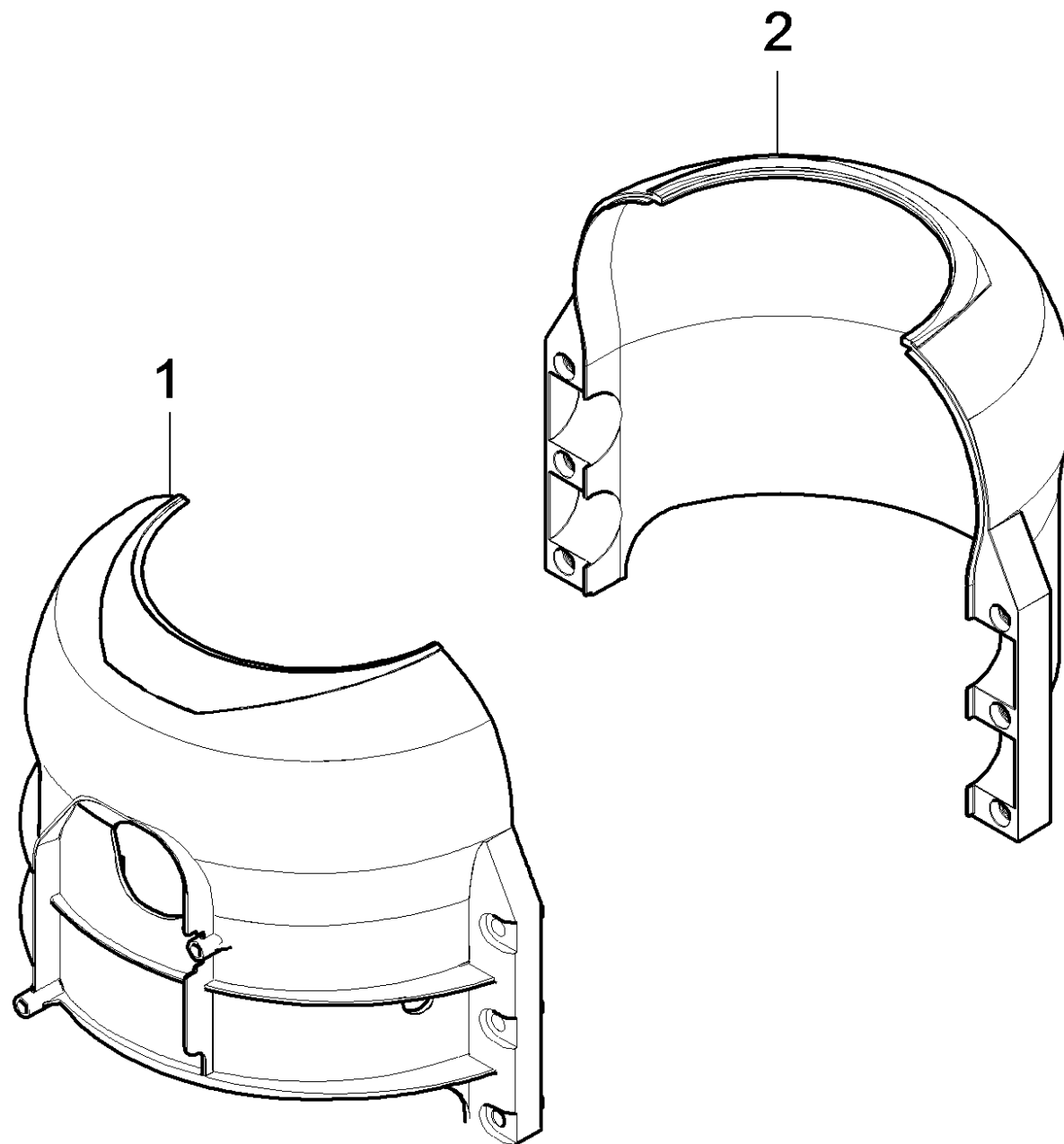
13 Spare part set air circulation (2.885-228.0)

POS	Description	Quantity	Unit
1	Air circulation front	1	ST
2	Air circulation rear	1	ST



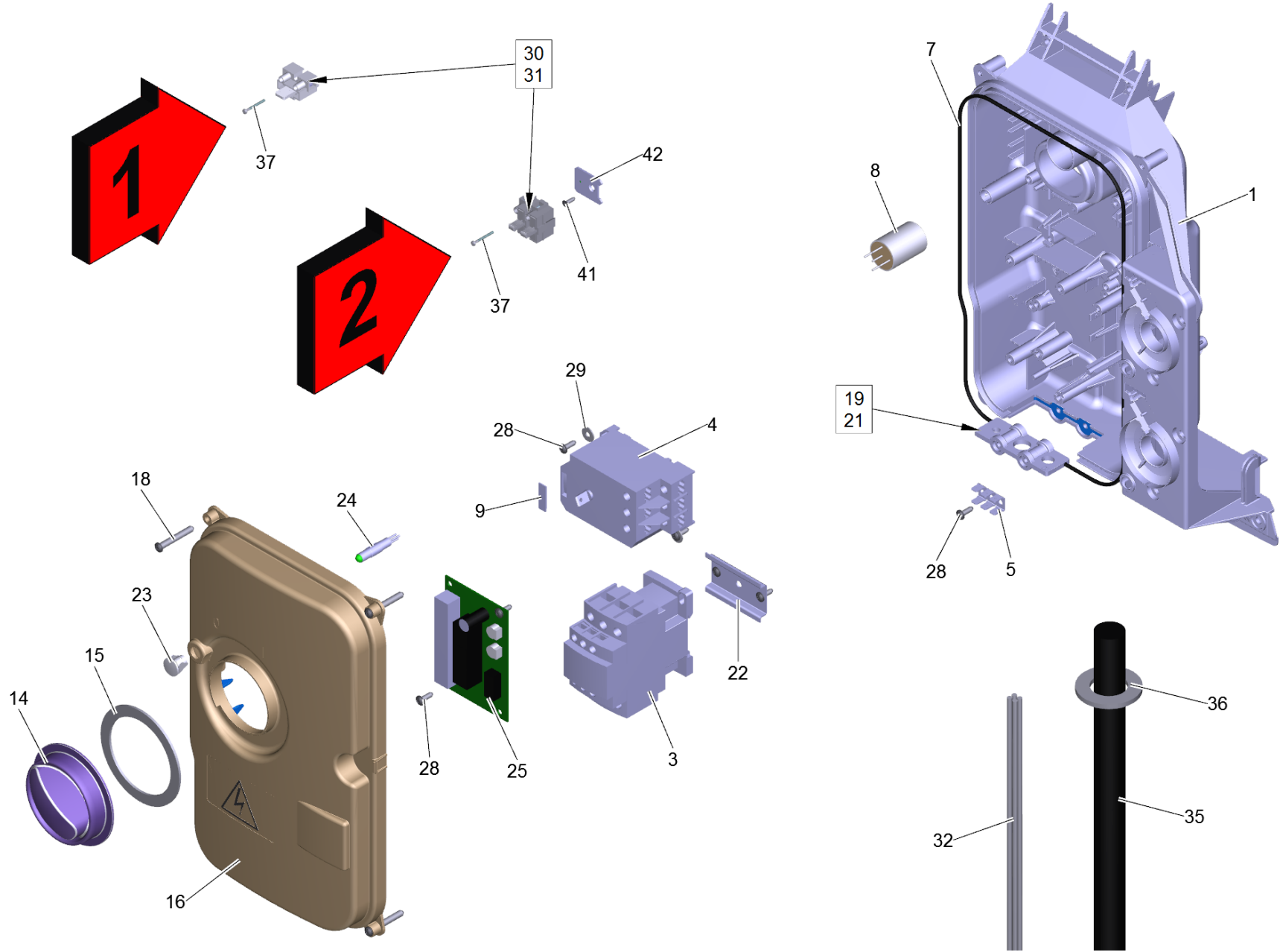
100 Pump set HD 7/16-4 ST-H (2.885-317.0)

POS	Article no.	Description	Quantity	Unit
1	2.885-139.0	Valve (3Stueck)	2	ST
2	4.580-734.0	Valve complete	1	ST
3	2.885-432.0	Set of gaskets ND PTFE (3x)	1	ST
4	2.885-237.0	Set of gaskets high pressure W1 (3 Stuec	1	ST
5	6.365-560.0	Grooved ring 18x26x7/6	3	ST
6	6.363-496.0	O-Ring seal 7,0x2,0	3	ST
7	6.363-492.0	O-Ring seal 8,0x1,5	1	ST
8	6.363-498.0	O-Ring seal 11,0x2,0 HNBR	1	ST
9	6.363-459.0	O-Ring seal 14 x 2	3	ST
10	6.363-494.0	O-Ring seal 20,0x1,5	3	ST
11	6.363-462.0	O-Ring seal 33,05 x 1,78	3	ST
12	6.363-618.0	O-Ring seal 88.57 x 2.62 HNBR 70 Shore	1	ST
13	5.034-494.0	Retaining bracket	1	ST
14	6.288-072.0	Silicon grease	1	ST



3 Spare part set air circulation (2.885-228.0)

POS	Description	Quantity	Unit
1	Air circulation front	1	ST
2	Air circulation rear	1	ST

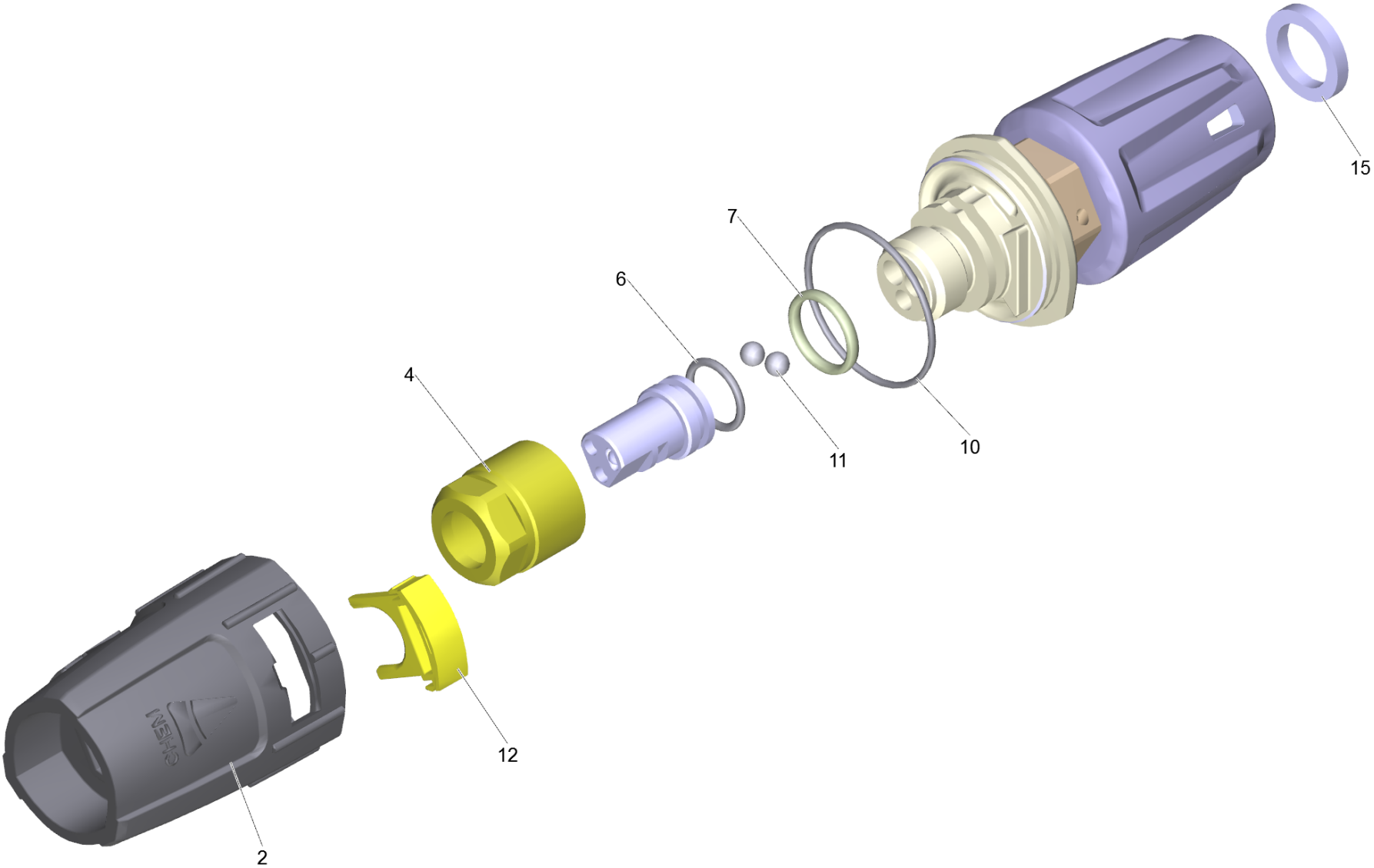


4 Electric control box HD 7/16-4 ST 400V

POS	Article no.	Description	Quantity	Unit	Foot note text
1	5.062-336.0	Housing electric control box	1	ST	
3	4.632-002.0	Contacteur -nur fuer Ersatz-	1	ST	
4	6.631-190.0	Motor protecting switch	1	ST	
5	6.641-270.0	Plug	1	ST	
7	6.273-037.0	Seal string cellular rubber 3	0,8	M	
8	6.661-302.0	Interference suppressor triple-pole	1	ST	
9	6.630-049.0	Cap	1	ST	
14	5.321-692.0	Handle	1	ST	
15	5.363-616.0	Joint ring	1	ST	
16	5.064-413.0	Cover electric control box	1	ST	
18	7.303-085.0	Screw 4x 35 -10.9-R2R (K-In6Rd)	4	ST	
19	5.263-101.0	Tensioning part 10.5/14/7	2	ST	
21		Sheet metal screw ST3,9x45 -St-A2K-C-H I	2	ST	
22	5.802-261.0	Mounting part	1	ST	
23	6.651-506.0	Lens housing	1	ST	
24	6.651-505.0	Pilot lamp	1	ST	
25	6.984-610.0	Circuit board control system HD-ST	1	ST	
28	7.303-106.0	Screw 4x12 -10.9-R2R (IN6RD)	7	ST	
29	7.312-281.0	Washer 4 -200HV-A2E ISO7093-1	2	ST	
30	6.643-336.0	Strip terminal	2	ST	VERSION 1
30	6.643-471.0	Strip terminal with fuse	2	ST	VERSION 2
31	6.644-070.0	Fuse insert medium time-lag G-5,0A	2	ST	
32	6.649-844.0	Cable harness HD-ST	1	ST	
35	6.649-442.0	Cable with plug	1	ST	
36	7.312-098.0	Washer 27 -PA6.6-Natur ISO 7089	1	ST	
37	6.303-245.0	Cylinder head screw 3X18-ST-A2E	1	ST	VERSION 1
37	7.306-045.0	Screw M2x20 -4.8-A2K DIN 84	1	ST	VERSION 2
41	7.303-119.0	Countersunk screw 3x10 -10.9-R2R (In6Rd)	1	ST	VERSION 2
42	5.013-470.0	Plate clamp	1	ST	VERSION 2

40 Triple jet nozzle TR 040 (4.117-033.0)

POS	Description	Quantity	Unit
1	Triple jet nozzle TR 040	1	ST

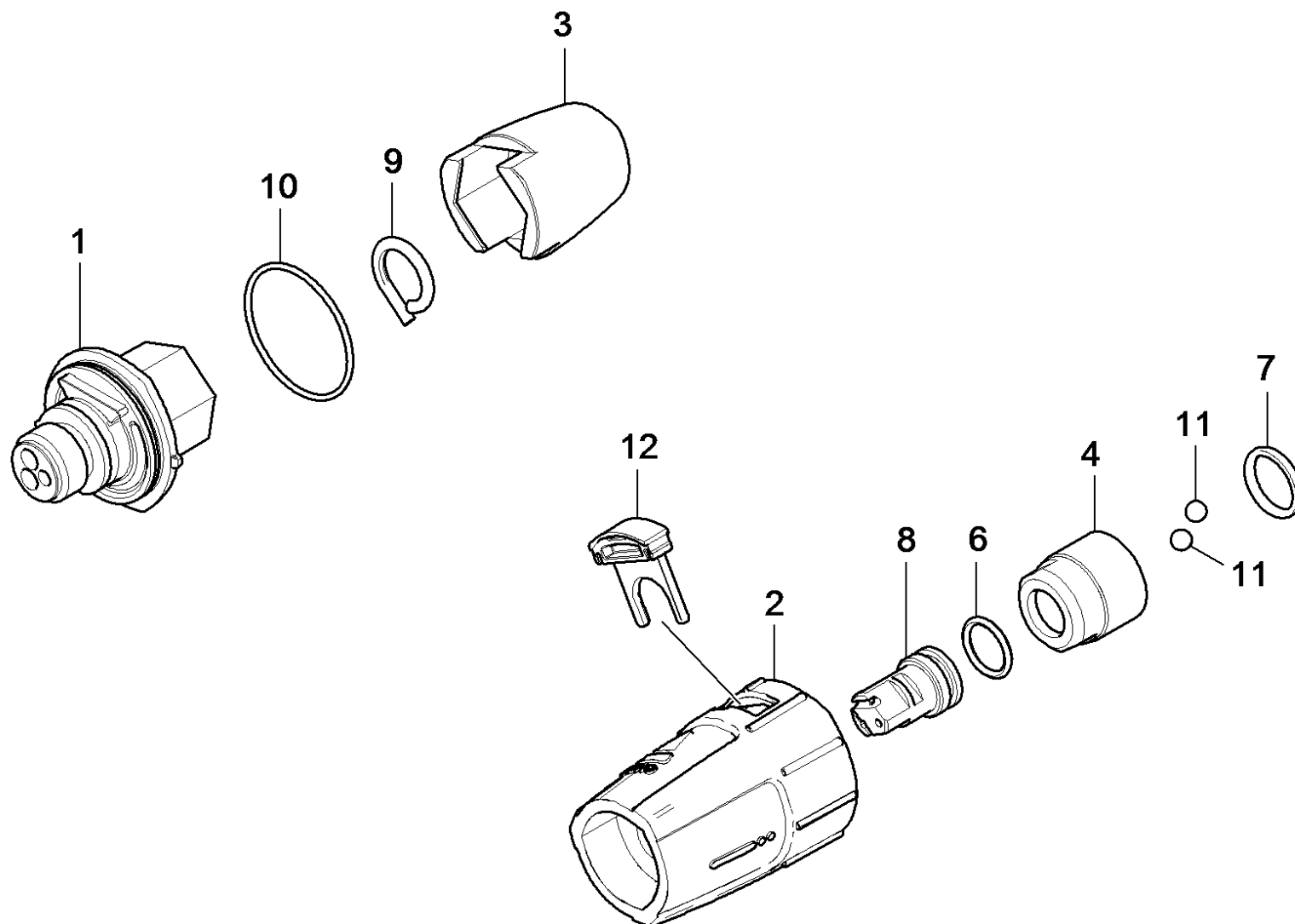


1 Triple jet nozzle TR 040

POS	Article no.	Description	Quantity	Unit
2	5.394-859.0	Protection part	1	ST
4	5.311-225.0	Nut	1	ST
6	6.362-480.0	O-Ring seal 12,42x 1,78	1	ST
7	6.362-460.0	O-Ring seal 14,0 X 2,5-NBR 70	1	ST
10	6.362-409.0	O-Ring seal 32,0 X 1,5	1	ST
11	7.401-902.0	Sphere 5 G20 -1.4034 DIN 5401	2	ST
12	5.321-884.0	Clamp	1	ST
15	6.363-696.0	Brake ring 14x20x3	1	ST

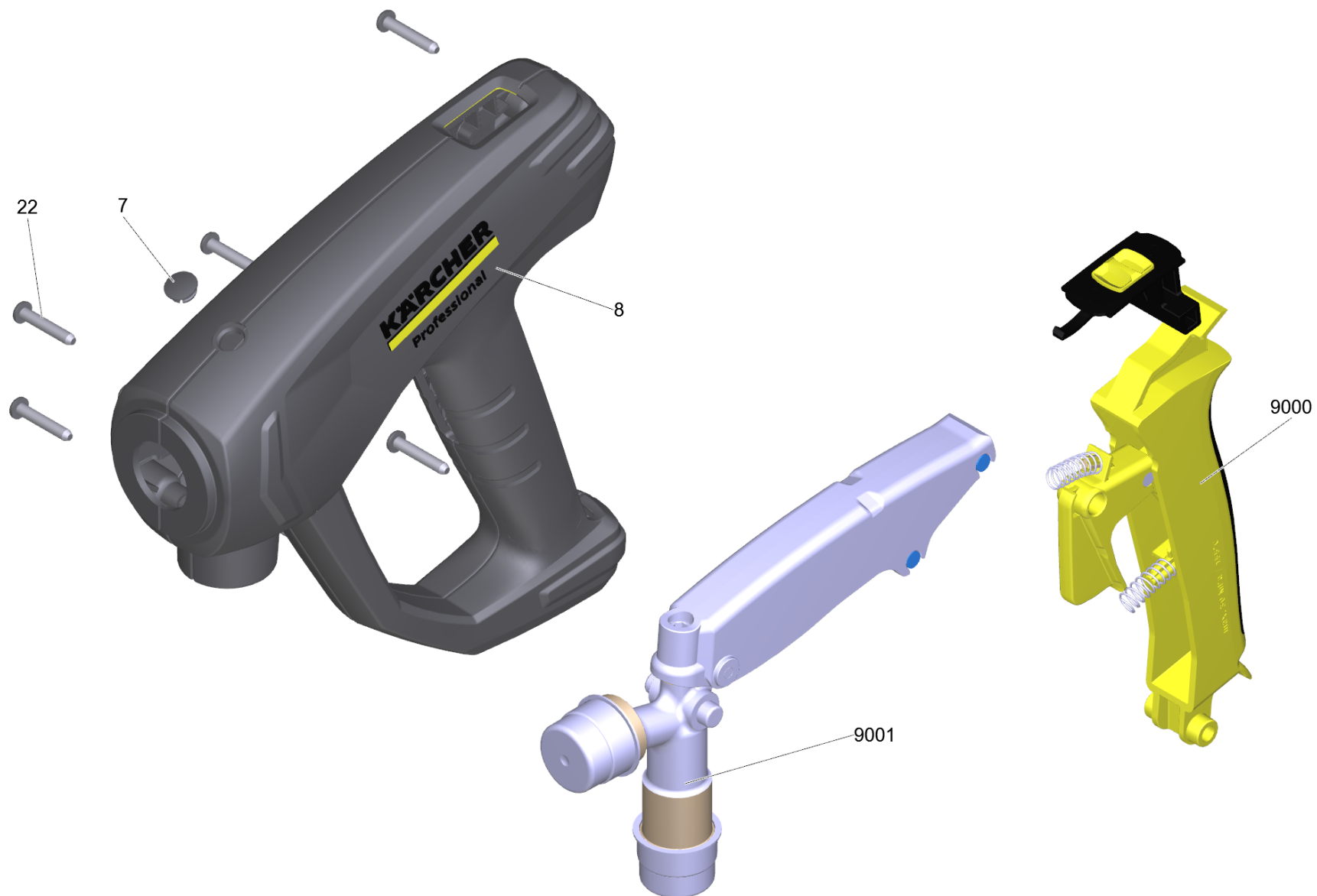
40 Triple jet nozzle only for replacement 0 (4.767-150.0)

POS	Article no.	Description	Quantity	Unit
1	4.767-136.0	Triple jet nozzle 040	1	ST



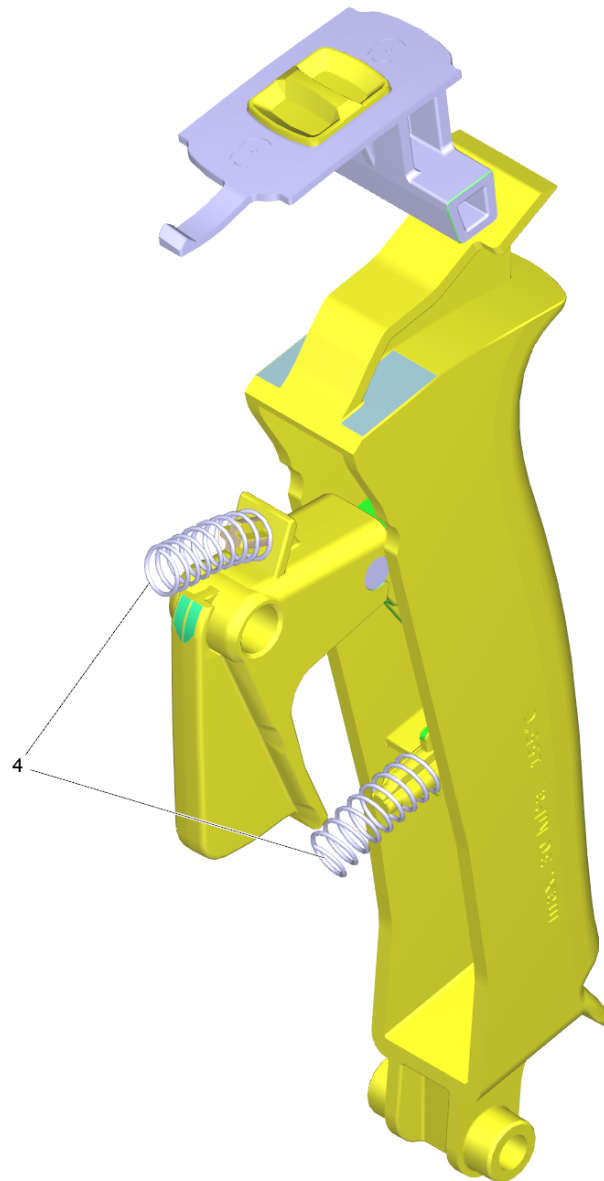
1 Triple jet nozzle 040 (4.767-136.0)

POS	Article no.	Description	Quantity	Unit
2	5.394-859.0	Protection part	1	ST
3	5.394-530.0	Protection part complete	1	ST
4	5.311-225.0	Nut	1	ST
6	6.362-480.0	O-Ring seal 12,42x 1,78	1	ST
7	6.362-460.0	O-Ring seal 14,0 X 2,5-NBR 70	1	ST
8	5.415-603.0	Triple jet nozzle 040	1	ST
9	6.343-150.0	Pin 03	1	ST
10	6.362-409.0	O-Ring seal 32,0 X 1,5	1	ST
11	7.401-902.0	Sphere 5 G20 -1.4034 DIN 5401	2	ST
12	5.321-884.0	Clamp	1	ST



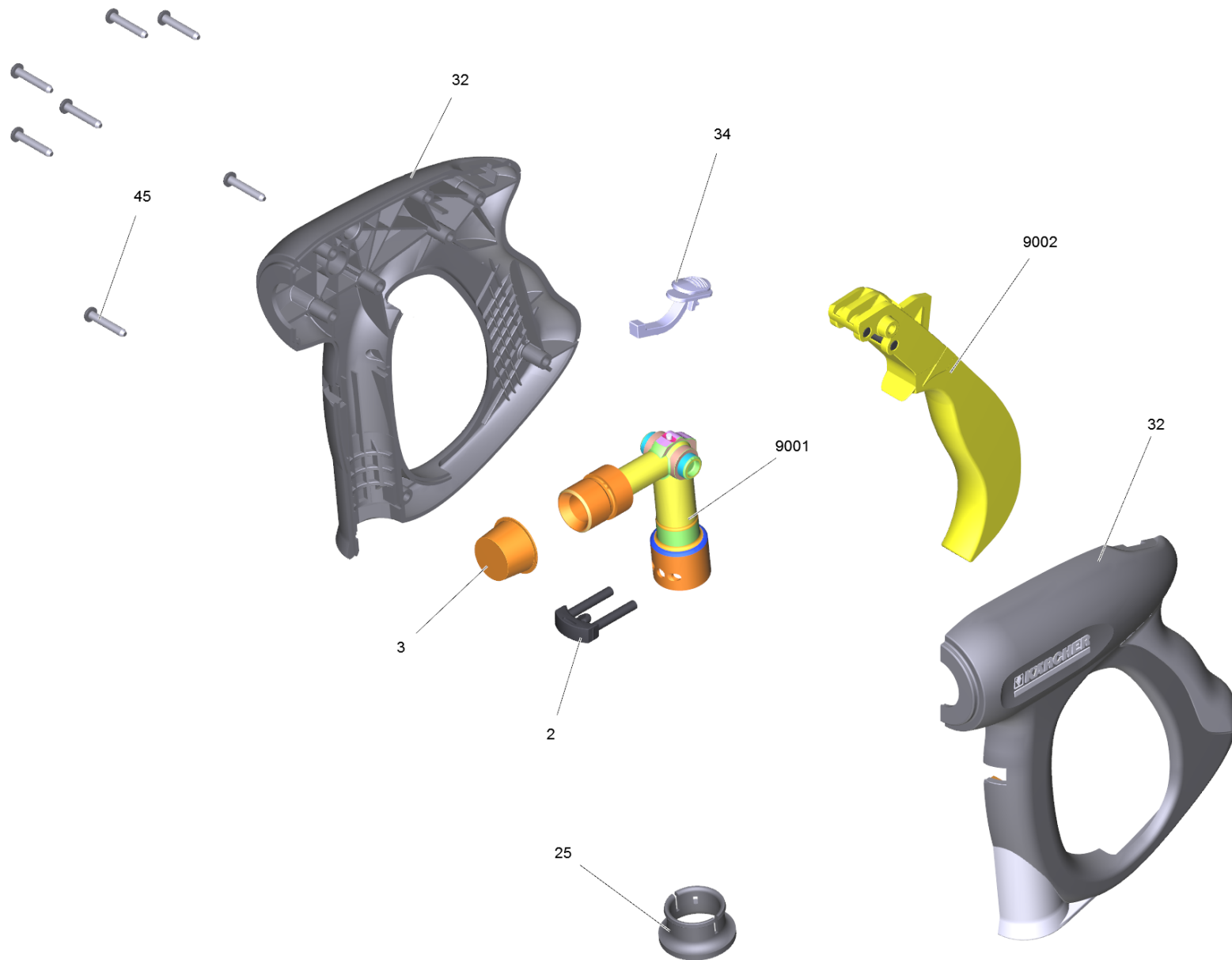
41 EASY!Force Advanced (4.118-005.0)

POS	Article no.	Description	Quantity	Unit
7	5.132-001.0	Plug	1	ST
8	5.321-136.3	Handhold few EH 155 only for replacement	1	ST
22	7.303-096.0	Screw 4x22 -ST-10.9-R2R (IN6RD)	7	ST
9000	2.885-483.0	Spare part set lever	1	ST
9001	4.427-014.0	Manifold TR EH 155 nur fuer Ersatz	1	ST



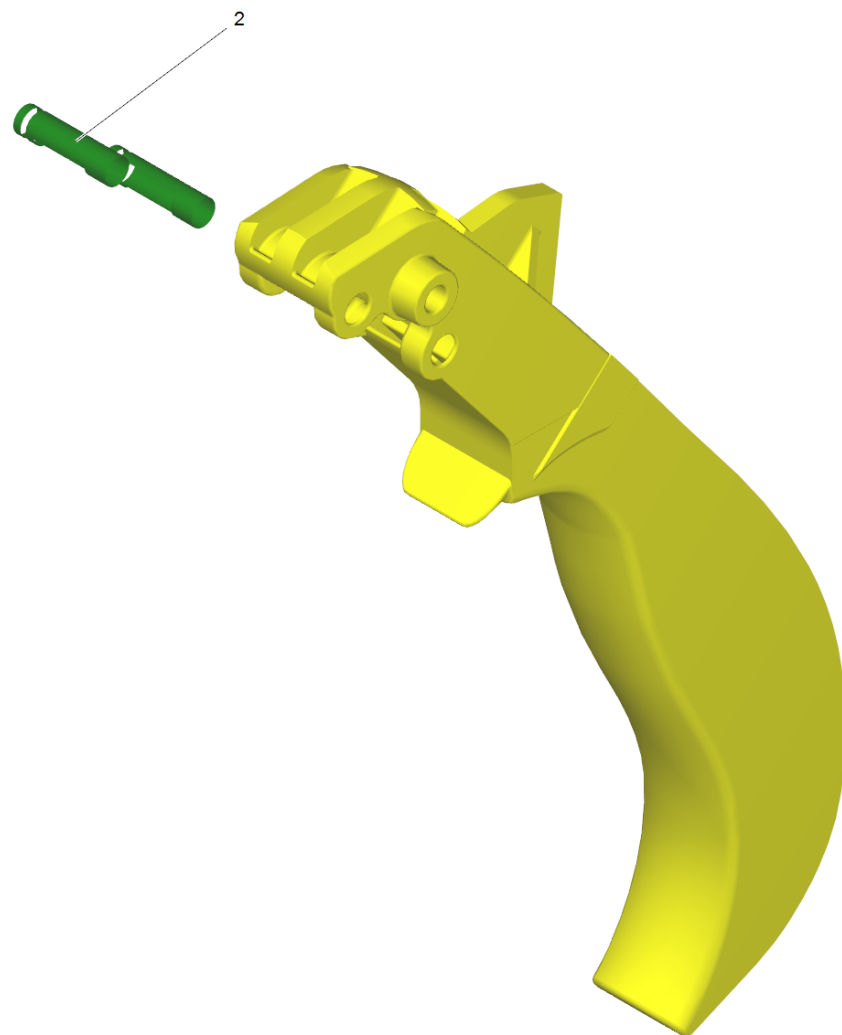
9000 Spare part set lever (2.885-483.0)

POS	Article no.	Description	Quantity	Unit
4	5.332-178.0	Helical spring	2	ST



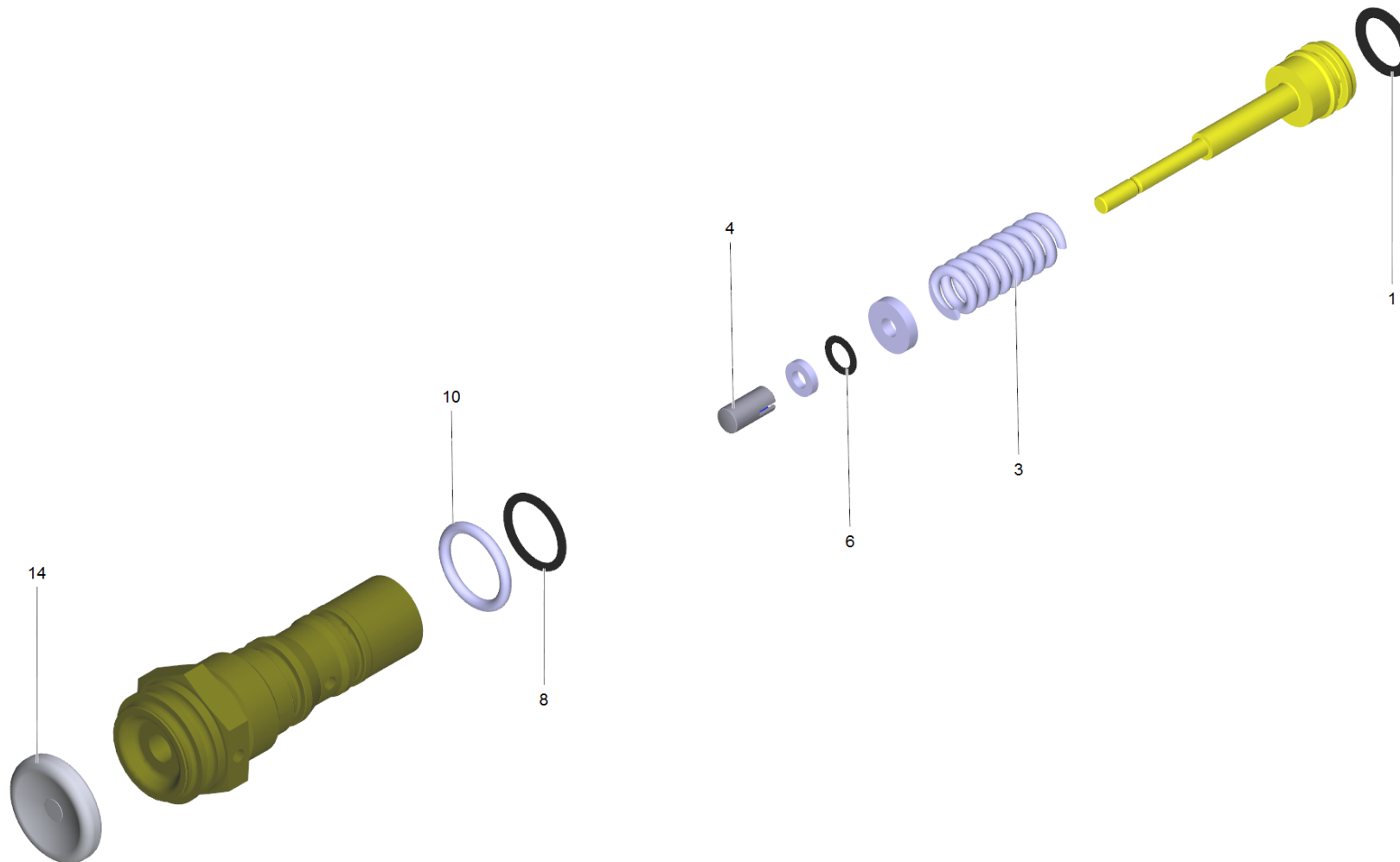
41 HAND TRIGGER GUN EASY PRESS (4.775-463.0)

POS	Article no.	Description	Quantity	Unit
2	4.037-013.0	Hook	1	ST
3	6.368-012.0	Protecting cap 22X1,5	1	ST
4	6.869-075.0	Metal bonding agent 1,5 ml	1	ST
cart_info_txt: This material is not available due to hazardous good regulation. Please procure this or a similar material from a local supplier of your choice.				
25	5.110-596.0	Sleeve	1	ST
32	5.321-669.3	Handhold few	1	ST
34	5.481-331.0	Slider	1	ST
45	7.303-096.0	Screw 4x22 -ST-10.9-R2R (IN6RD)	7	ST
1041	6.288-044.0	Silicon grease 100 G	1	ST
9001	4.427-215.0	Manifold complete only for replacement	1	ST
9002	4.481-209.0	Lever complete	1	ST



9002 Lever complete (4.481-209.0)

POS	Article no.	Description	Quantity	Unit
2	5.314-119.0	Pin	2	ST

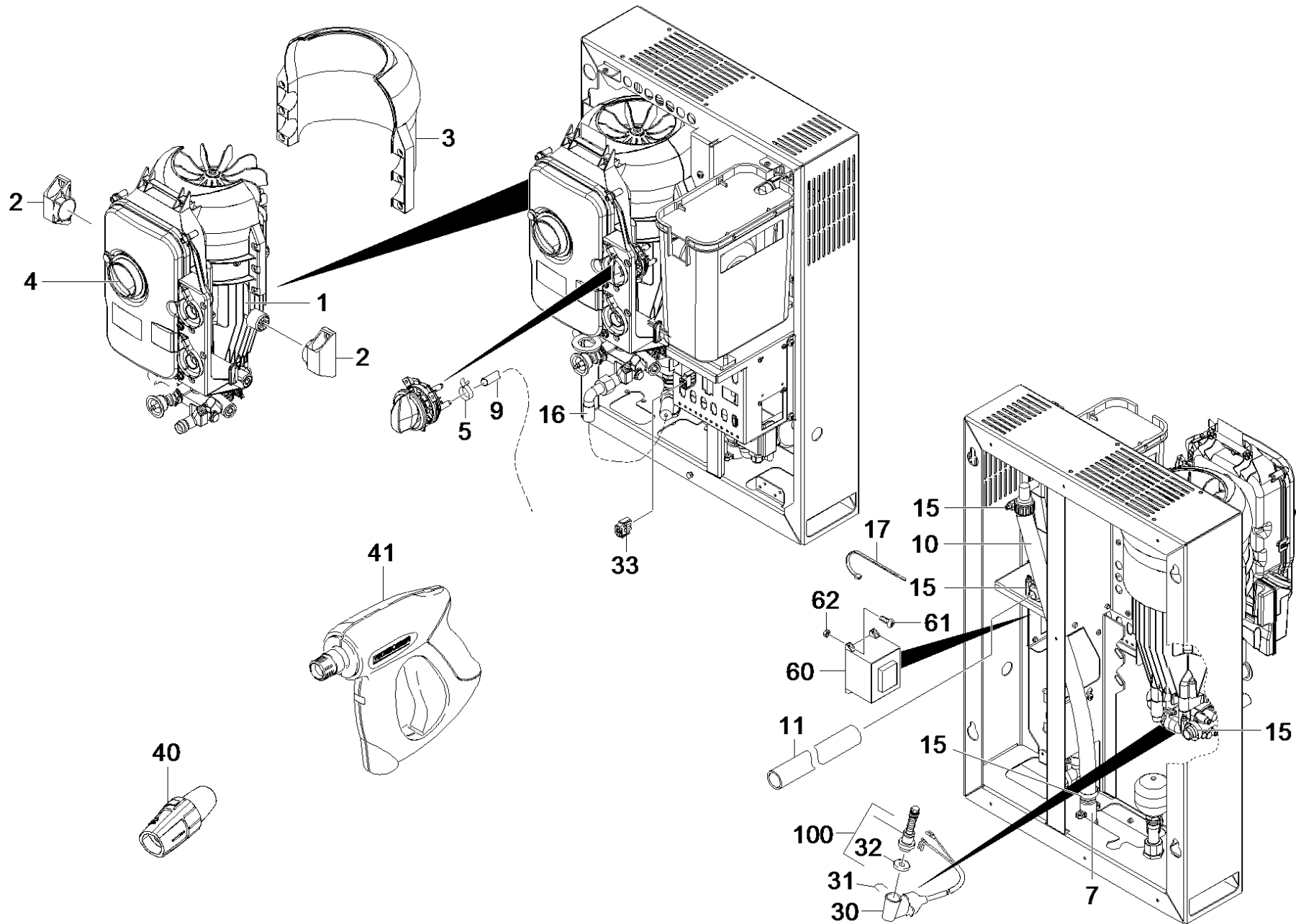


100 Spare part set control piston (2.885-226.0)

POS	Article no.	Description	Quantity	Unit
1	6.363-350.0	O-Ring seal 8.74x1.78	1	ST
3	5.332-511.0	Helical spring	1	ST
4	5.110-947.0	Sleeve	1	ST
6	6.363-330.0	O-Ring seal 2,9 x 1,78	1	ST
8	6.363-452.0	O-Ring seal 11 x 1,5	1	ST
10	6.363-519.0	O-Ring seal 12,00x 2,00	1	ST
14	5.367-030.0	Diaphragm	1	ST

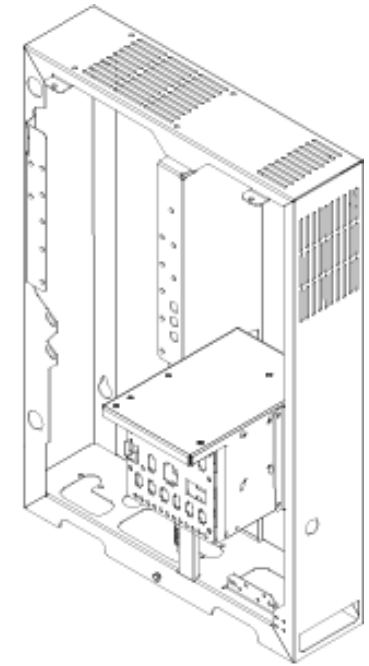
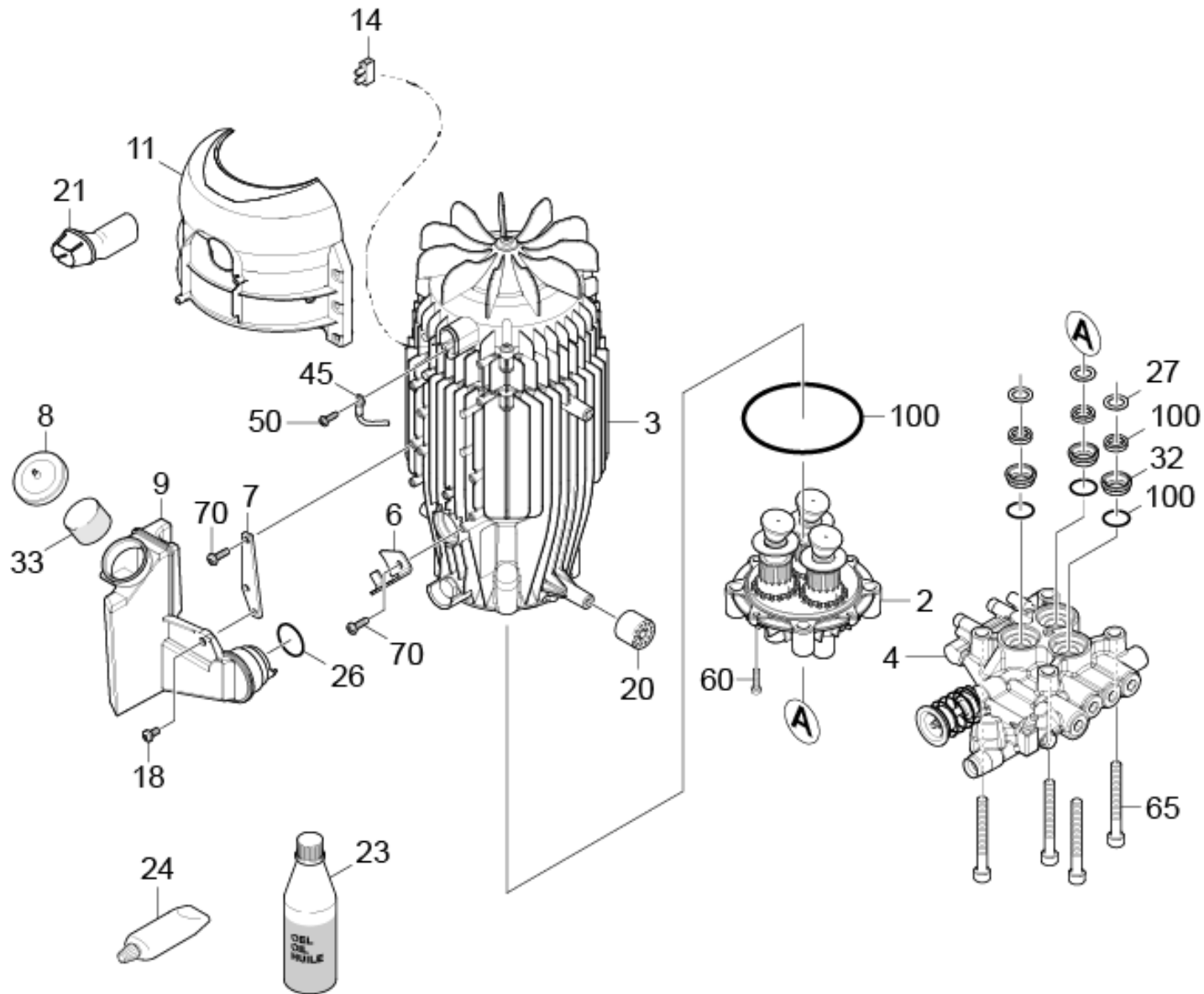
44 Pump set complete HD 9/18-4 ST 380-440V 60Hz

POS	Article no.	Description	Quantity	Unit
1000	2.532-014.3	Spare parts list pump set complete HD 9/	1	ST



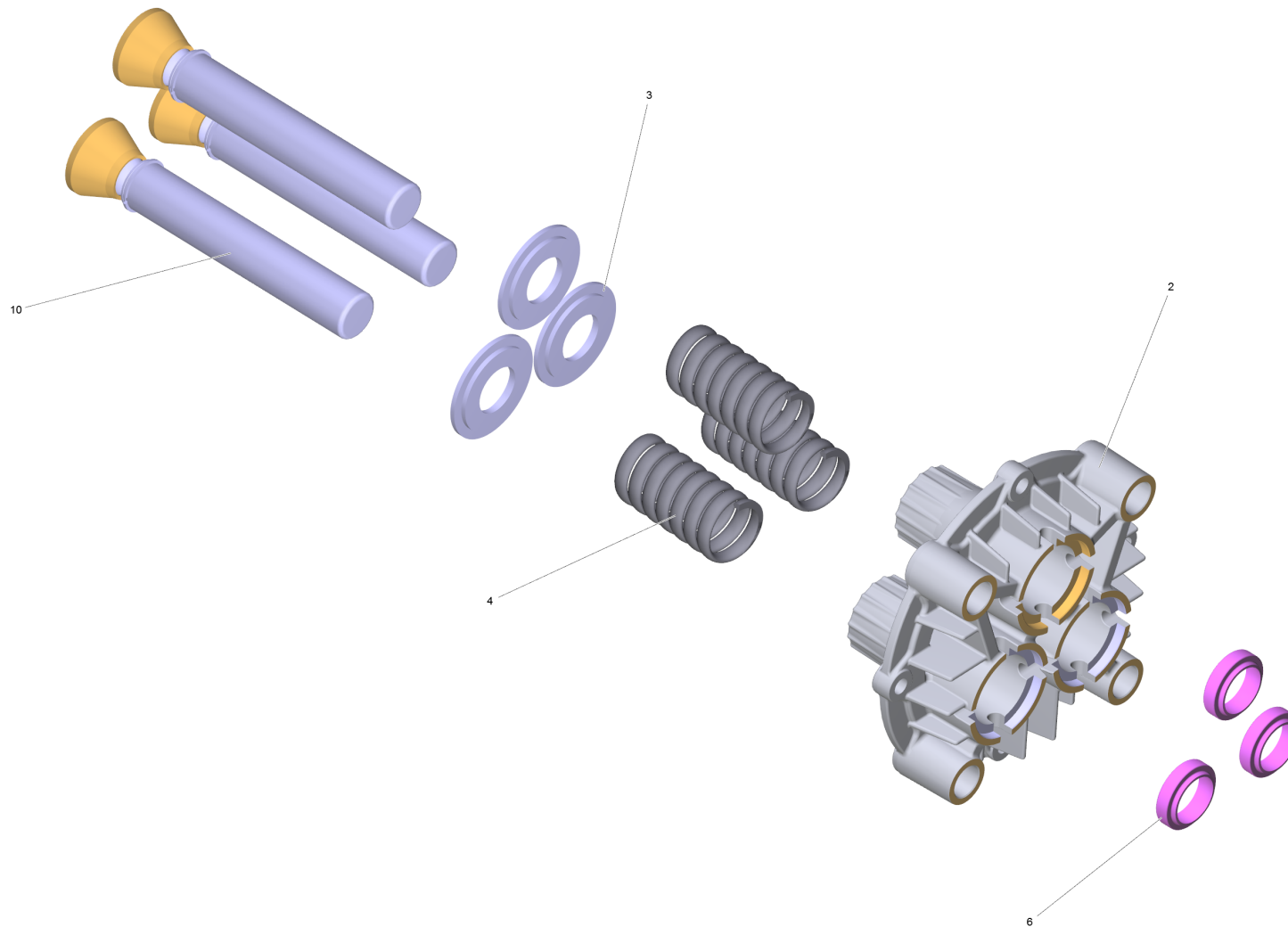
1000 Spare parts list pump set complete HD 9/ (2.532-014.3)

POS	Article no.	Description	Quantity	Unit	Remark
1		Pump set HD 9/18-4 ST 60Hz	1	ST	
2	5.044-998.0	Holder	2	ST	
3	2.885-228.0	Spare part set air circulation	1	ST	
4		Electric control box HD-ST 400V	1	ST	
5	6.390-133.0	Hose clip	2	ST	
6	7.306-190.0	Screw M6x8 -A2-70 (In6Rd)	2	ST	
7	5.427-432.0	Manifold	1	ST	
8	7.312-026.0	Washer 6 -A2 ISO 7089	2	ST	
9	6.388-247.0	Hose DN8 -PVC	1	M	
10	6.388-719.0	Hose DN17	1	M	
11	5.443-628.0	Hose	1	ST	
15	7.373-022.0	Hose clip A-16-27x9 -W2-2 DIN3017	4	ST	
16	6.392-198.0	Hose assembly DN8 40MPa 0,46m	1	ST	
17	6.641-465.0	Cable tape	1	ST	
30	4.744-242.0	Switch kpl. -nur für Ersatz-	1	ST	
31	5.034-494.0	Retaining bracket	1	ST	
32	5.367-030.0	Diaphragm	1	ST	
33	6.649-887.0	Plug triple dummy plug	1	ST	
40	4.117-039.0	Triple jet nozzle TR 055	1	ST	1.524-950.2
40	4.767-066.0	Triple jet nozzle 055	1	ST	1.524-500.2
41	4.118-005.0	EASY!Force Advanced	1	ST	1.524-950.2
41	4.775-463.0	HAND TRIGGER GUN EASY PRESS	1	ST	1.524-500.2
60	6.622-332.0	Control transformer 96VA - EI78/40,5 380	1	ST	
61	7.306-058.0	Screw M 4X 12- 8.8-R2R K-IN6RD	4	ST	
62	7.311-569.0	Square nut M4 -04-A2E DIN 562	4	ST	
100	2.885-226.0	Spare part set control piston	1	ST	



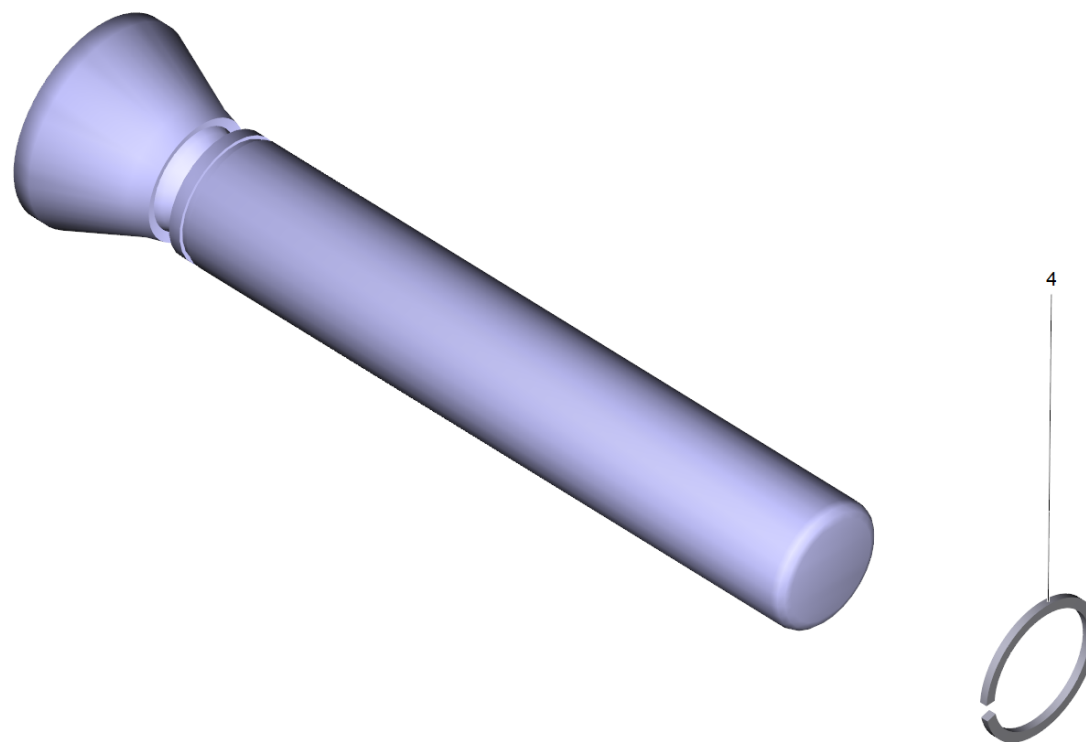
1 Pump set HD 9/18-4 ST 60Hz

POS	Article no.	Description	Quantity	Unit
2		Thrust guidance complete	1	ST
3	4.624-222.0	Motor complete only for replacement	1	ST
4		Cylinder head complete HD 9/18-4 ST	1	ST
6	5.011-428.0	Plate bracket	1	ST
7	5.044-918.0	Retaining plate box oil	1	ST
8	5.064-457.0	Cover plate qusty grey oil	1	ST
9	5.070-658.0	Tank oil	1	ST
11	2.885-228.0	Spare part set air circulation	1	ST
14	6.643-151.0	Strip terminal one-pole 16mm ²	1	ZST
18	7.306-180.0	Screw M5x10-A2-70 (In6Rd)	1	ST
20	5.767-005.0	Rubber buffer	4	ST
21	5.365-341.0	Profile gasket long	1	ST
23	6.288-016.0	Gear oil 1L	1	ST
24		Silicon grease	0,005	ZST
26	6.362-722.0	O-Ring seal 28,0 X 3,0	1	ST
27	5.115-255.0	Washer	3	ST
32	5.112-866.0	Bush	3	ST
33	5.132-187.0	Plug	1	ST
45	4.820-578.0	Cable green/yellow 1,5mm ² x450mm	1	ST
50	7.303-031.0	Screw M4x10 -St-P2R (In6Rd)	1	ST
60	7.306-105.0	Screw M6x30 -8.8-R3R (In6Rd)	2	ST
65	7.306-155.0	Cylinder head screw M12x100 -8.8-A3E IS	4	ST
70	7.303-039.0	Screw M5x16 -St-P2R (In6Rd)	3	ST
100	2.885-318.0	Pump set HD 9/18 ST-H	1	ST



2 Thrust guidance complete

POS	Article no.	Description	Quantity	Unit
2	5.061-185.3	Thrust guidance	1	ST
3	5.116-310.0	Washer	3	ST
4	5.332-550.0	Helical spring	3	ST
5	6.288-016.0	Gear oil 1L	1	ST
6	6.365-052.0	Grooved ring 20X28X6/8	3	ST
10	4.553-279.0	Piston complete	3	ST

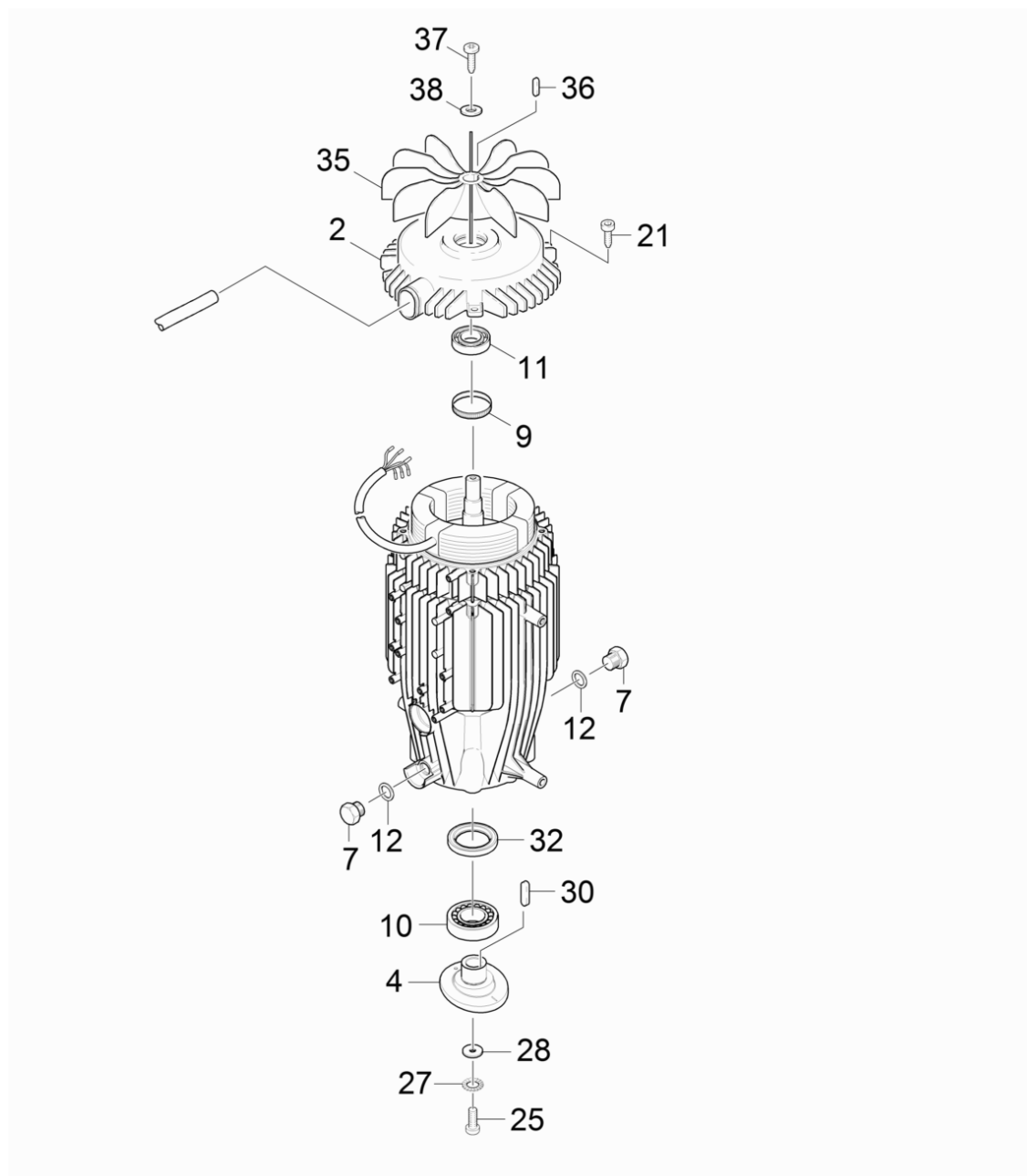


10 Piston complete (4.553-279.0)

POS	Article no.	Description	Quantity	Unit
4	6.472-331.0	Snap ring 20	1	ST

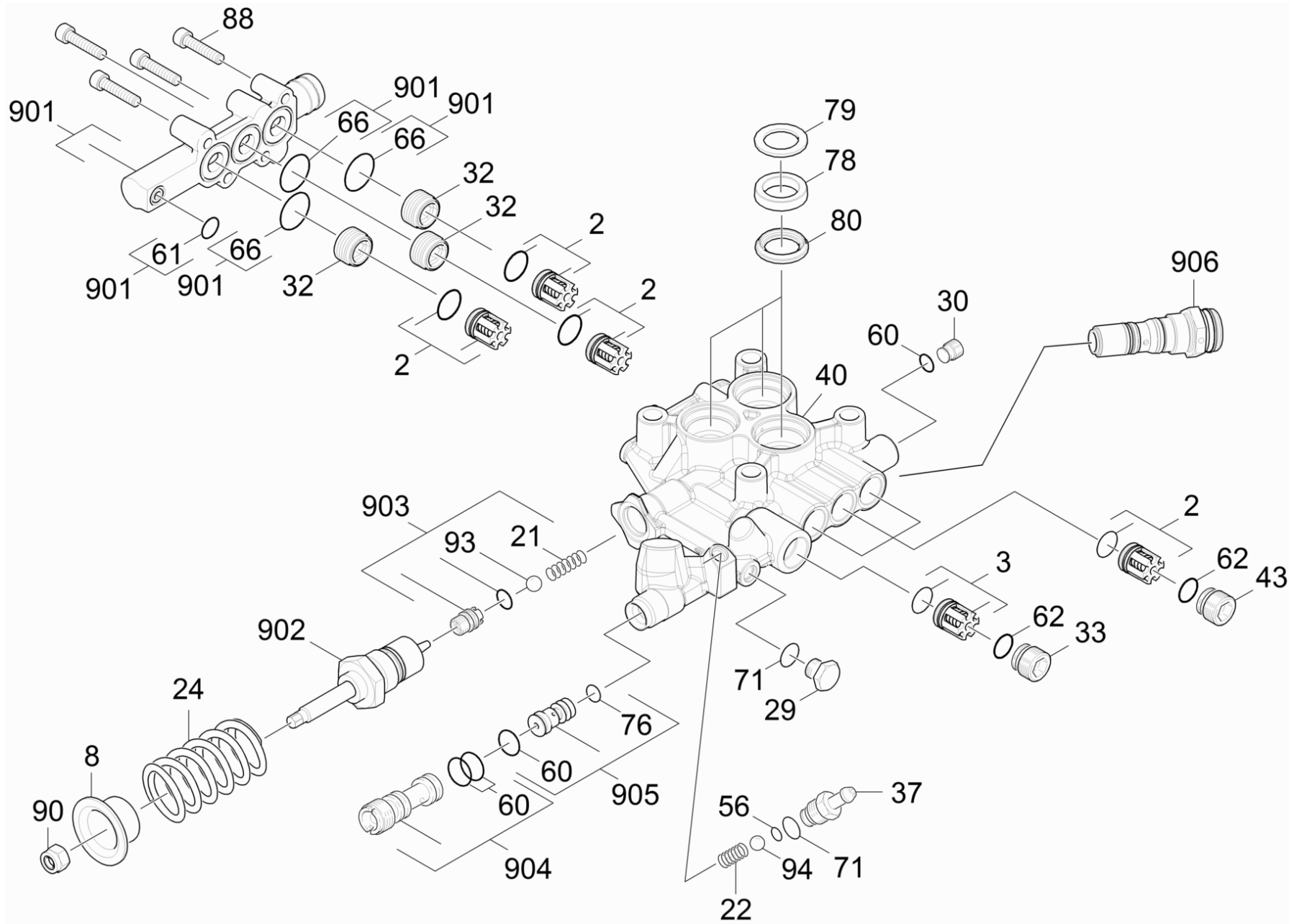
3 Motor complete only for replacement (4.624-222.0)

POS	Description	Quantity	Unit
1	Motor complete HD 9/18-4ST 60Hz	1	ST



1 Motor complete HD 9/18-4ST 60Hz

POS	Article no.	Description	Quantity	Unit
2	5.063-707.0	Bearing cover B	1	ST
4	4.120-266.0	Wobble plate only for replacement	1	ST
7	5.411-100.0	Screw plug	2	ST
9	6.343-171.0	Tolerance ring	1	ST
10	6.401-405.0	Taper roller bearing	1	ST
11	6.401-285.0	Ball bearing 6204 2RS	1	ST
12	6.363-498.0	O-Ring seal 11,0x2,0 HNBR	2	ST
21	7.303-048.0	Screw M6x20 -St-R3R (In6Rd)	4	ST
25	7.306-041.0	Cylinder head screw M8x20 -8.8-A2E ISO	1	ST
27	7.312-159.0	Toothed lock washer A8,4-FST-PH DIN 679	1	ST
28	5.115-565.0	Washer	1	ST
30	7.318-030.0	Parallel key 6x6x25 -C45K DIN 6885-1	1	ST
32	7.367-012.0	Radial shaft seal ring A35x52x7 -FKM DIN	1	ST
35	5.600-046.0	Blower wheel	1	ST
36	7.318-079.0	Parallel key A 5x5x25-C45K DIN 6885	1	ST
37	7.312-260.0	Washer 6 -100HV-A3E ISO 7094	1	ST
38	7.306-092.0	Screw M6x20-ST- 8.8-R3R (IN6RD)	1	ST

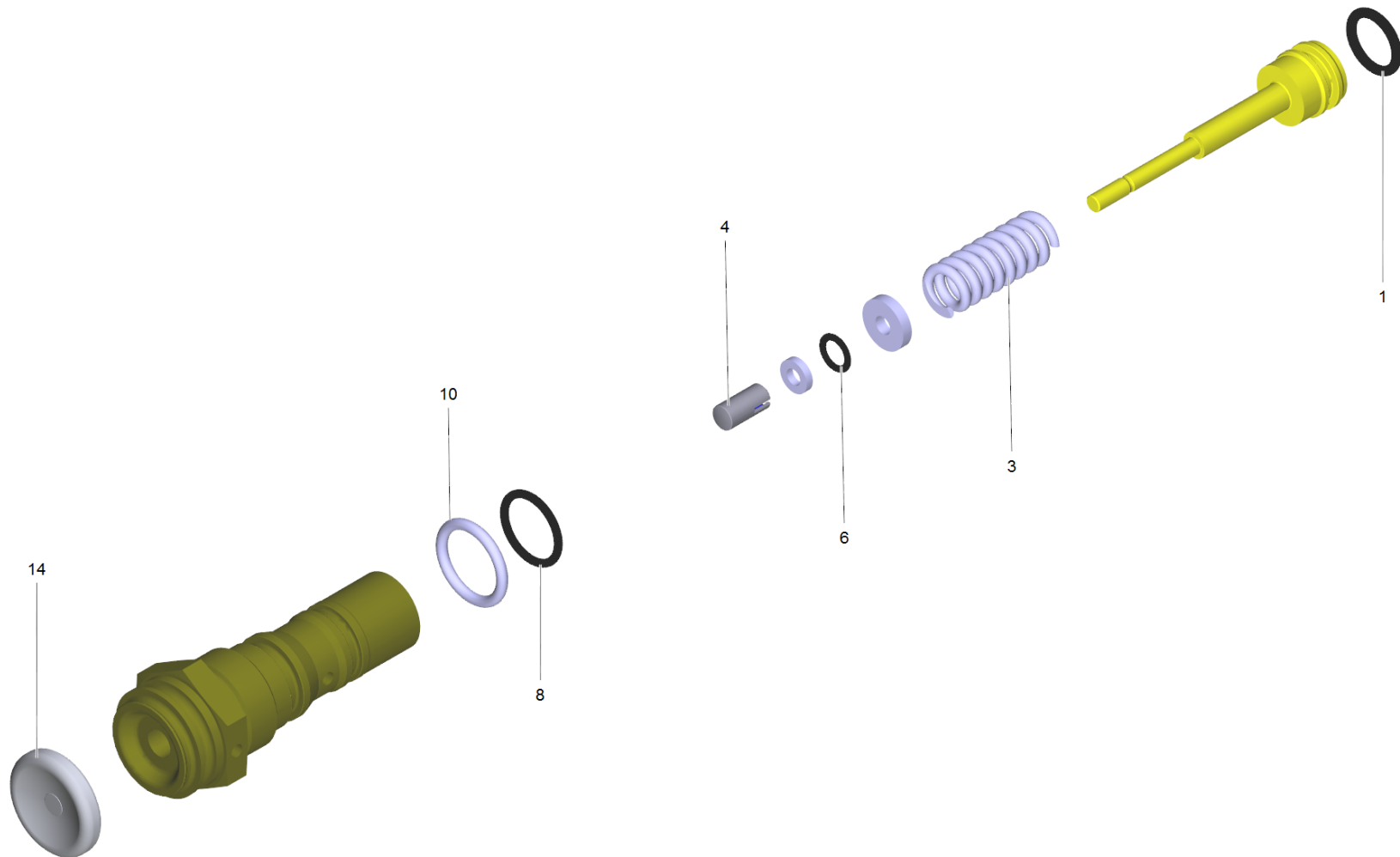


4 Cylinder head complete HD 9/18-4 ST

POS	Article no.	Description	Quantity	Unit
2		Part at pump set	1	ST
3		Part at pump set	1	ST
8	5.112-757.0	Bush	1	ST
21	5.332-999.0	Helical spring	1	ST
22	5.332-258.0	Helical spring	1	ST
24	5.332-530.0	Helical spring	1	ST
25		Silicon grease	0,005	ZST
29	5.411-070.0	Screw plug	1	ST
30	5.411-152.0	Screw plug	1	ST
32	5.583-177.0	Valve screw M20x1	3	ST
33	5.411-166.0	CLOSING SCREW	1	ST
37	5.443-370.0	Nipple	1	ST
40	4.550-977.0	Spare part set cylinder head	1	ST
43	5.583-146.3	Valve screw	3	ST
56	6.363-597.0	O-Ring seal 5,28 x 1,78	1	ST
58	6.362-445.0	O-Ring seal 16,0 X 2,4-NBR 80	1	ST
60	6.362-384.0	O-Ring seal 9x1,5 - NBR 70	4	ST
61		Part at pump set	1	ST
62		Part at pump set	1	ST
66		Part at pump set	1	ST
71		Part at pump set	1	ST
76	6.363-282.0	O-Ring seal 6,3x2,4-NBR 70	1	ST
78		Part at pump set	1	ST
79	6.365-379.0	Supportring	3	ST
80	6.365-378.0	Supportring 20x30x4,2	3	ST
88	7.306-019.0	Cylinder head screw M8x35 -A4-70 ISO 47	4	ST
90	7.311-510.0	Hexagon nut M 8-8-A2E ISO 7040	1	ST
93	7.401-907.0	Sphere 3/8 G200-1.4301 DIN 5401	1	ST
94	7.401-908.0	Sphere 7 G300 -1.4301 DIN 5401	1	ST
901	4.064-024.0	Suction cover complete only for replacem	1	ST
902	2.885-227.0	Spare part set overflow valve	1	ST
903	4.481-256.0	Valve seat complete	1	ST
904	4.769-054.0	Nozzle insert kpl.	1	ST

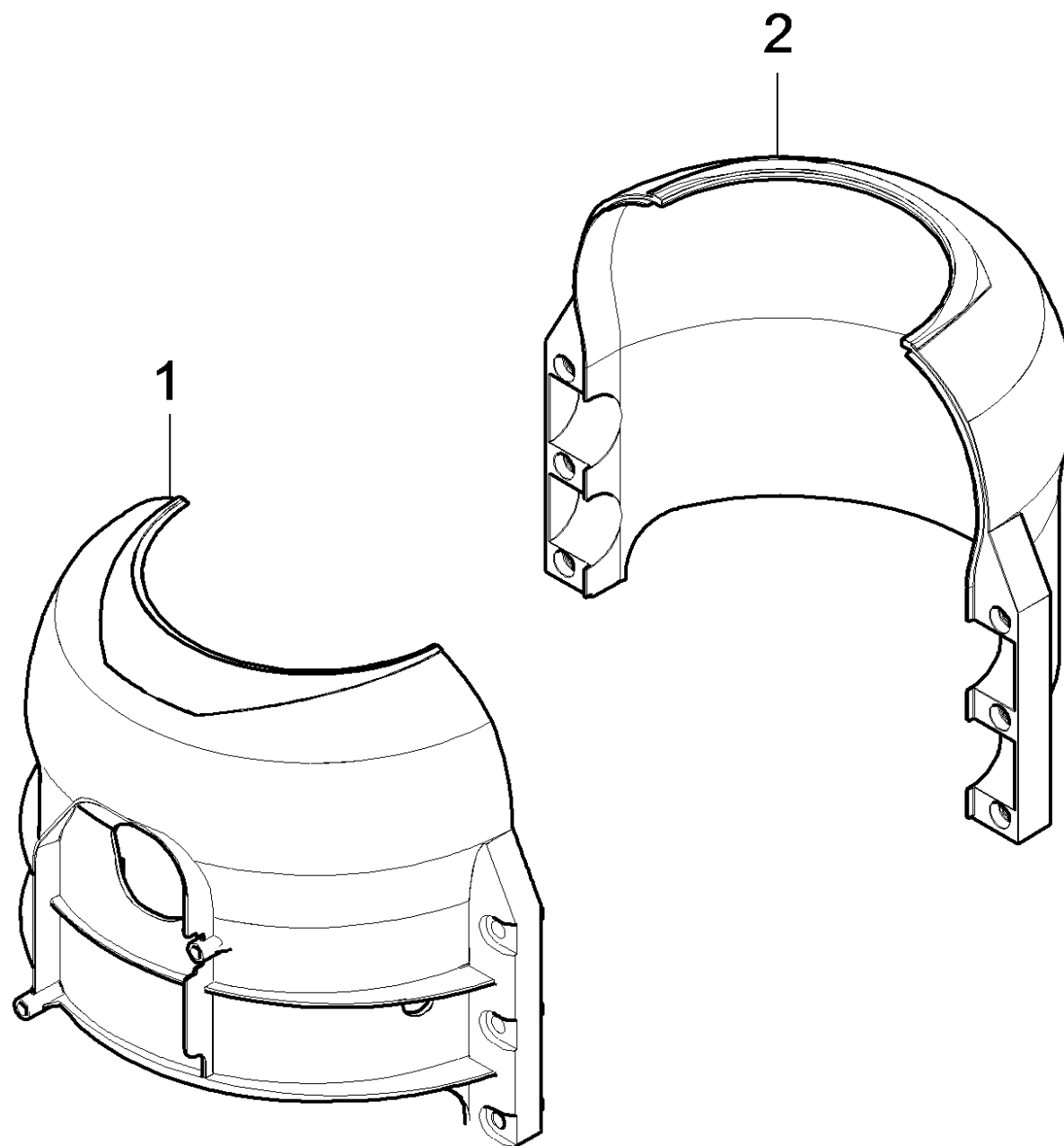
4 Cylinder head complete HD 9/18-4 ST

POS	Article no.	Description	Quantity	Unit
905	2.885-230.0	Spare part set nozzle insert only for re	1	ST
906	2.885-226.0	Spare part set control piston	1	ST



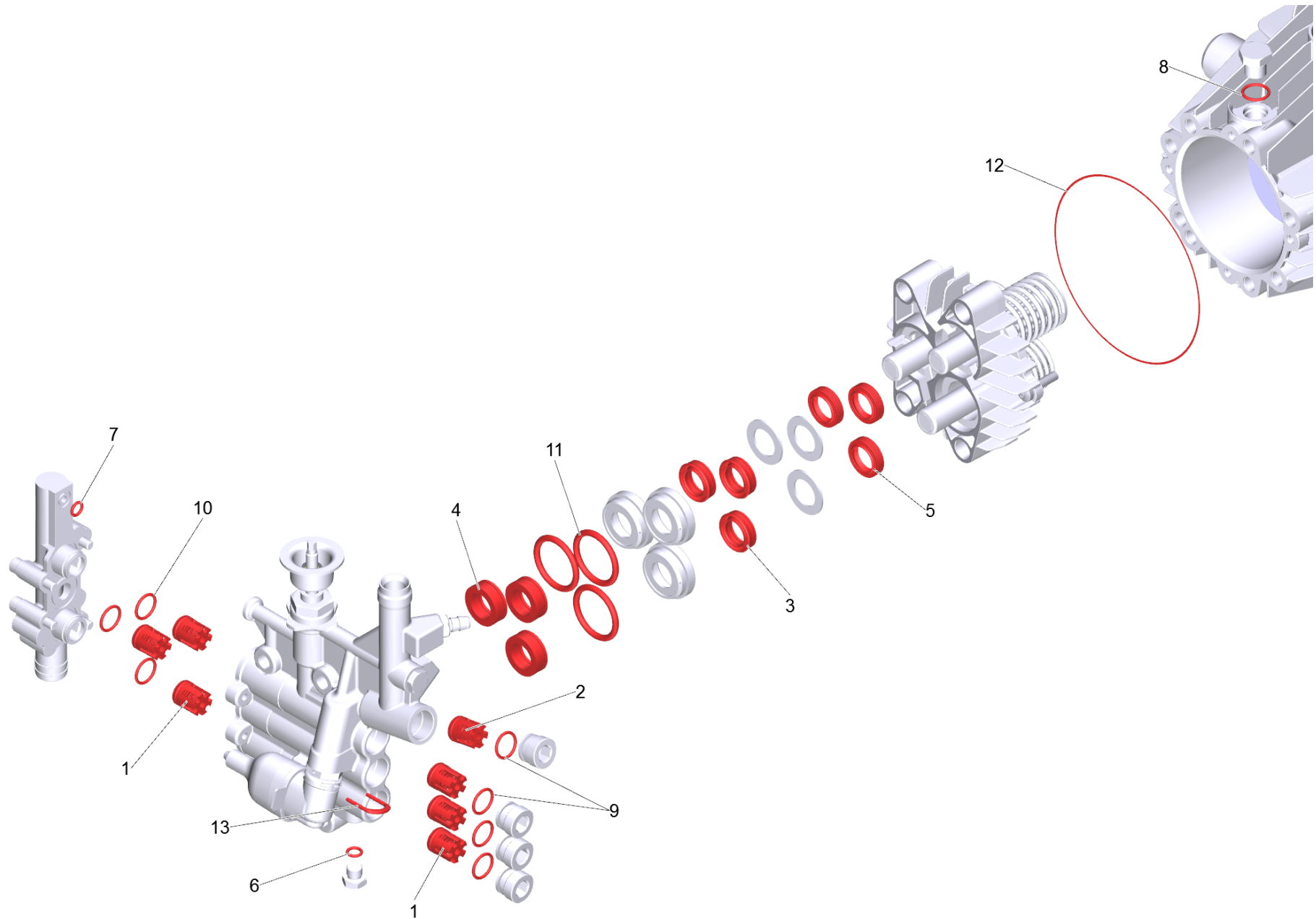
906 Spare part set control piston (2.885-226.0)

POS	Article no.	Description	Quantity	Unit
1	6.363-350.0	O-Ring seal 8.74x1.78	1	ST
3	5.332-511.0	Helical spring	1	ST
4	5.110-947.0	Sleeve	1	ST
6	6.363-330.0	O-Ring seal 2,9 x 1,78	1	ST
8	6.363-452.0	O-Ring seal 11 x 1,5	1	ST
10	6.363-519.0	O-Ring seal 12,00x 2,00	1	ST
14	5.367-030.0	Diaphragm	1	ST



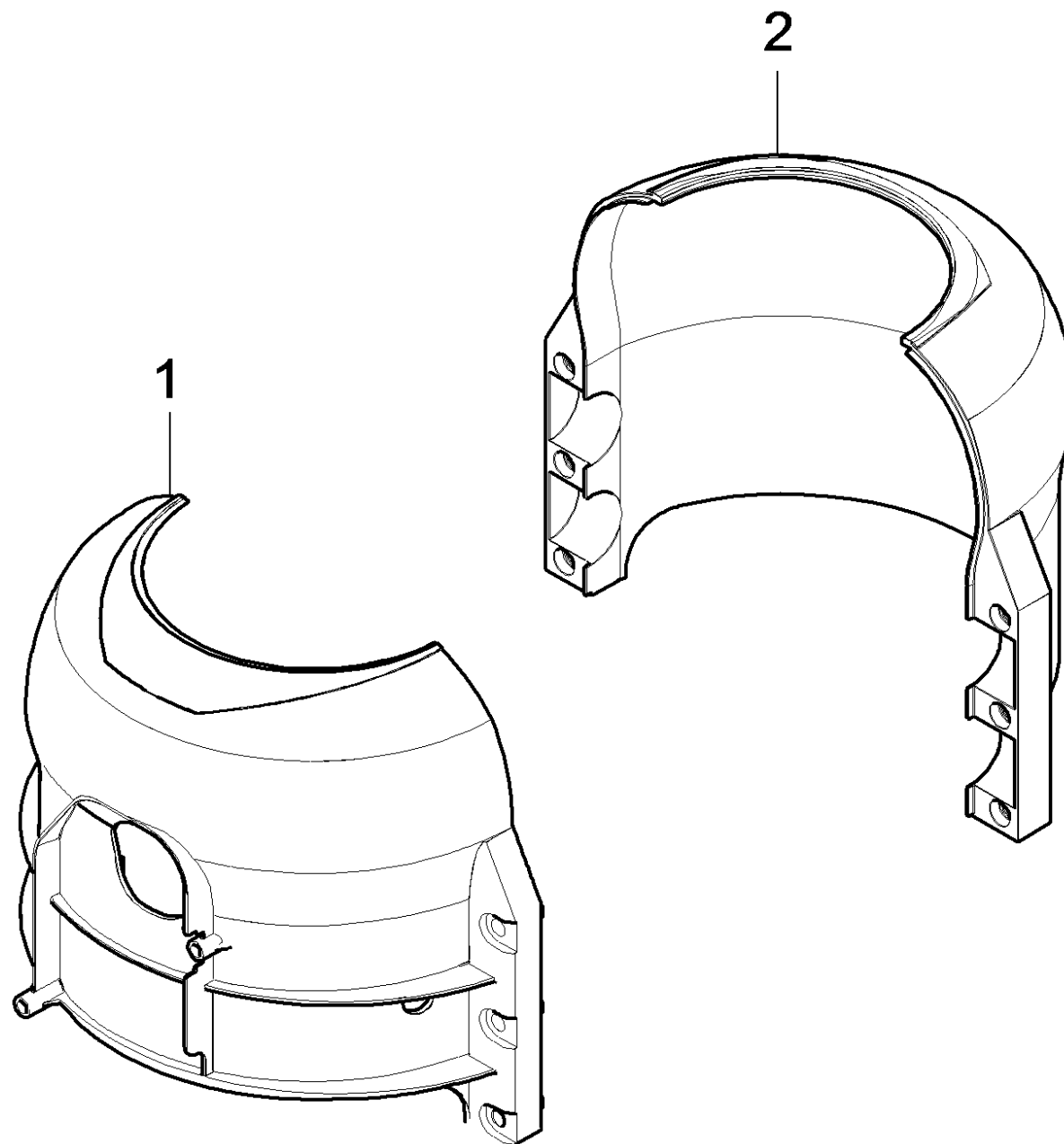
11 Spare part set air circulation (2.885-228.0)

POS	Description	Quantity	Unit
1	Air circulation front	1	ST
2	Air circulation rear	1	ST



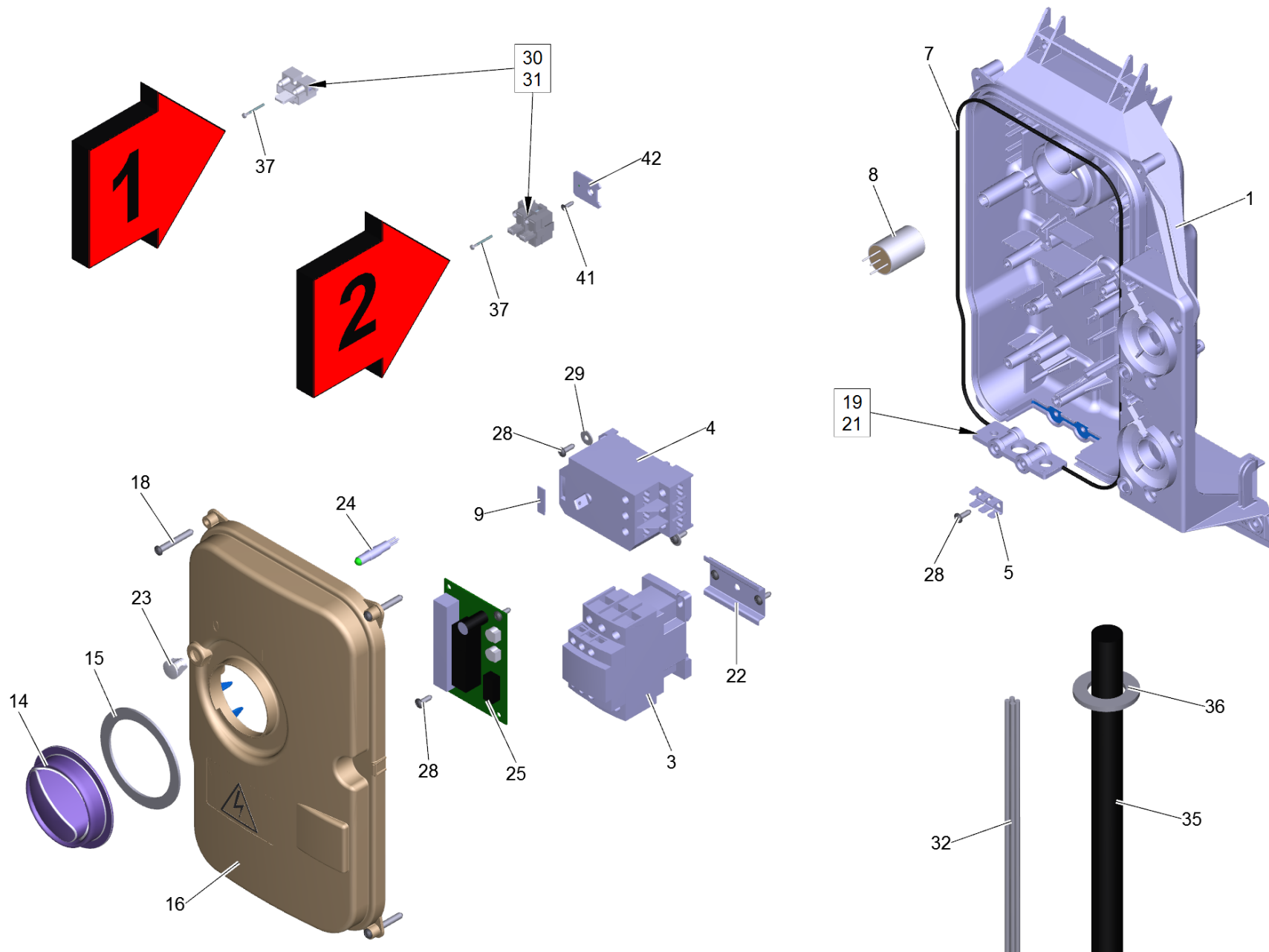
100 Pump set HD 9/18 ST-H (2.885-318.0)

POS	Article no.	Description	Quantity	Unit
1	2.885-139.0	Valve (3Stueck)	2	ST
2	4.580-734.0	Valve complete	1	ST
3	2.885-431.0	Set of gaskets ND PTFE 3x	1	ST
4	2.885-235.0	Set of gaskets high pressure W1 (3 Stuec	1	ST
5	6.365-436.0	Grooved ring 20X28X7/6	3	ST
6	6.363-496.0	O-Ring seal 7,0x2,0	3	ST
7	6.363-492.0	O-Ring seal 8,0x1,5	1	ST
8	6.363-498.0	O-Ring seal 11,0x2,0 HNBR	1	ST
9	6.363-459.0	O-Ring seal 14 x 2	4	ST
10	6.363-494.0	O-Ring seal 20,0x1,5	3	ST
11	6.363-548.0	O-Ring seal 32,0 x 2,0	3	ST
12	6.363-501.0	O-Ring seal 101,27x2,62 HNBR	1	ST
13	5.034-494.0	Retaining bracket	1	ST
14	6.288-072.0	Silicon grease	1	ST



3 Spare part set air circulation (2.885-228.0)

POS	Description	Quantity	Unit
1	Air circulation front	1	ST
2	Air circulation rear	1	ST

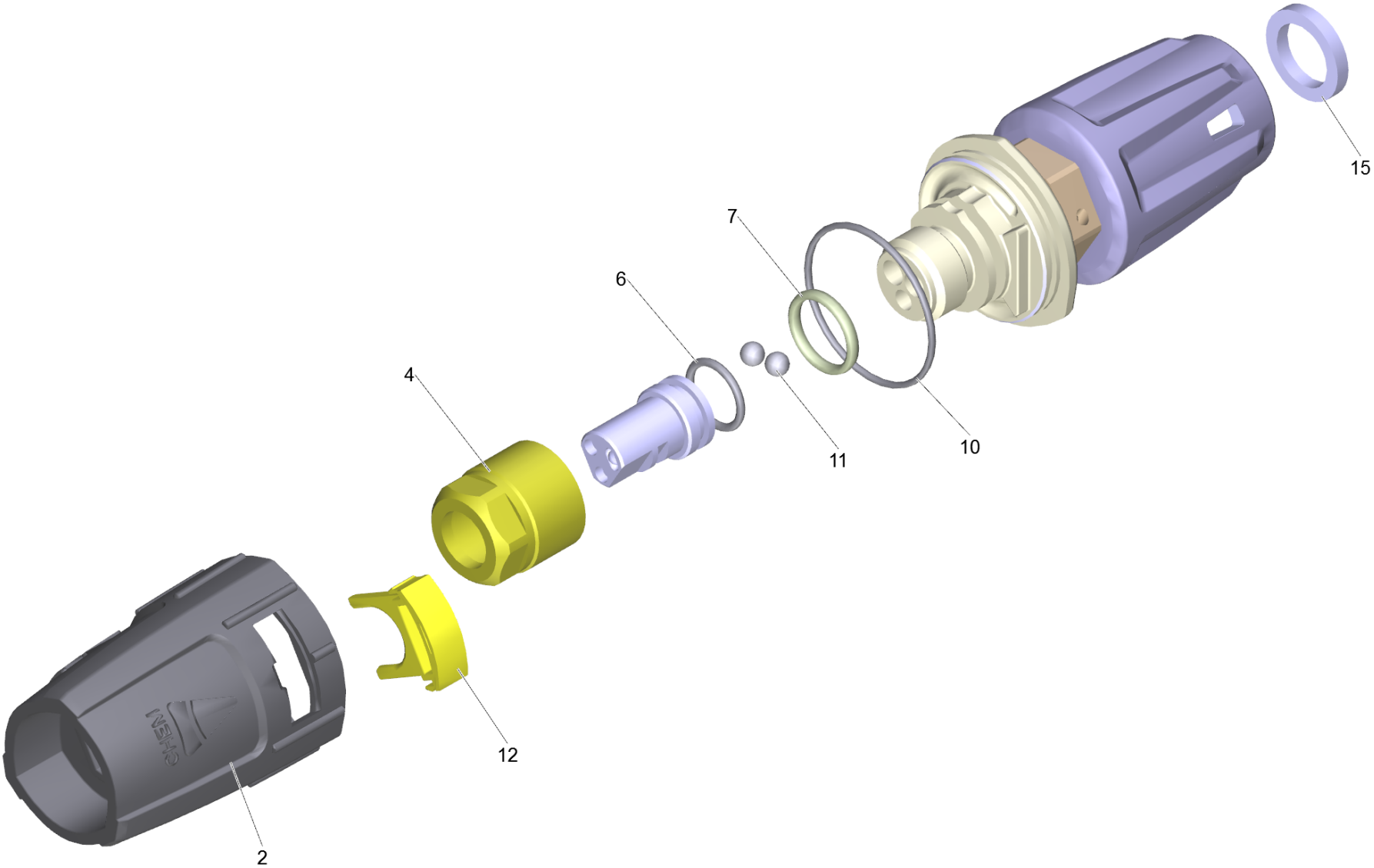


4 Electric control box HD-ST 400V

POS	Article no.	Description	Quantity	Unit	Foot note text
1	5.062-336.0	Housing electric control box	1	ST	
3	6.632-356.0	Contacto LC1-D18 B7	1	ST	
4	6.631-190.0	Motor protecting switch	1	ST	
5	6.641-270.0	Plug	1	ST	
7	6.273-037.0	Seal string cellular rubber 3	0,8	M	
8	6.661-302.0	Interference suppressor triple-pole	1	ST	
9	6.630-049.0	Cap	1	ST	
10	4.820-476.0	Cable black 2,5mm ² x250mm	3	ST	
14	5.321-692.0	Handle	1	ST	
15	5.363-616.0	Joint ring	1	ST	
16	5.064-413.0	Cover electric control box	1	ST	
18	7.303-085.0	Screw 4x 35 -10.9-R2R (K-In6Rd)	4	ST	
19	5.263-101.0	Tensioning part 10.5/14/7	2	ST	
20	6.641-463.0	Cable tape	4	ST	
21		Sheet metal screw ST3,9x45 -St-A2K-C-H I	2	ST	
22	5.802-261.0	Mounting part	1	ST	
23	6.651-506.0	Lens housing	1	ST	
24	6.651-505.0	Pilot lamp	1	ST	
25	6.984-610.0	Circuit board control system HD-ST	1	ST	
27	4.820-793.0	Cable brown 1,0mm ² x200mm	2	ST	
28	7.303-106.0	Screw 4x12 -10.9-R2R (IN6RD)	7	ST	
29	7.312-281.0	Washer 4 -200HV-A2E ISO7093-1	2	ST	
30	6.643-336.0	Strip terminal	2	ST	VERSION 1
30	6.643-471.0	Strip terminal with fuse	2	ST	VERSION 2
31	6.644-070.0	Fuse insert medium time-lag G-5,0A	2	ST	
32	6.649-844.0	Cable harness HD-ST	1	ST	
35	6.649-442.0	Cable with plug	1	ST	
36	7.312-098.0	Washer 27 -PA6.6-Natur ISO 7089	1	ST	
37	6.303-245.0	Cylinder head screw 3X18-ST-A2E	1	ST	VERSION 1
37	7.306-045.0	Screw M2x20 -4.8-A2K DIN 84	1	ST	VERSION 2
40	6.642-043.0	Insulating hose 10	0,36	M	
41	7.303-119.0	Countersunk screw 3x10 -10.9-R2R (In6Rd)	1	ST	VERSION 2
42	5.013-470.0	Plate clamp	1	ST	VERSION 2

40 Triple jet nozzle TR 055 (4.117-039.0)

POS	Description	Quantity	Unit
1	Triple jet nozzle TR 055	1	ST



1 Triple jet nozzle TR 055

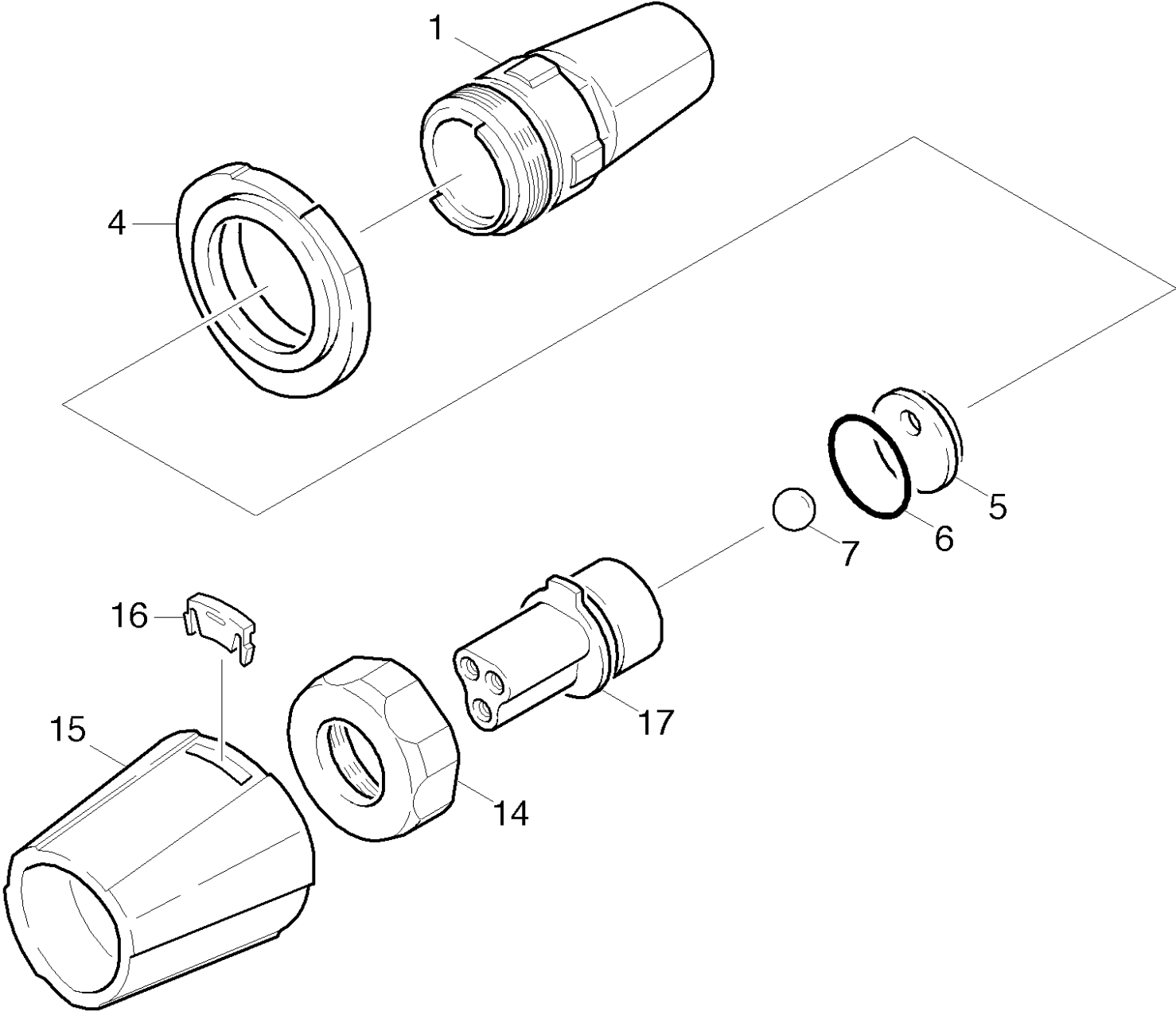
POS	Article no.	Description	Quantity	Unit
2	5.394-859.0	Protection part	1	ST
4	5.311-225.0	Nut	1	ST
6	6.362-480.0	O-Ring seal 12,42x 1,78	1	ST
7	6.362-460.0	O-Ring seal 14,0 X 2,5-NBR 70	1	ST
10	6.362-409.0	O-Ring seal 32,0 X 1,5	1	ST
11	7.401-902.0	Sphere 5 G20 -1.4034 DIN 5401	2	ST
12	5.321-884.0	Clamp	1	ST
15	6.363-696.0	Brake ring 14x20x3	1	ST

40 Triple jet nozzle 055 (4.767-066.0)

POS	Article no.	Description	Quantity	Unit
2	5.970-000.0	Spare parts list triple jet nozzle	1	ST
Item text2: 47670660				

2 Spare parts list triple jet nozzle (5.970-000.0)

POS	Description	Quantity	Unit
10	Triple jet nozzle	1	ST

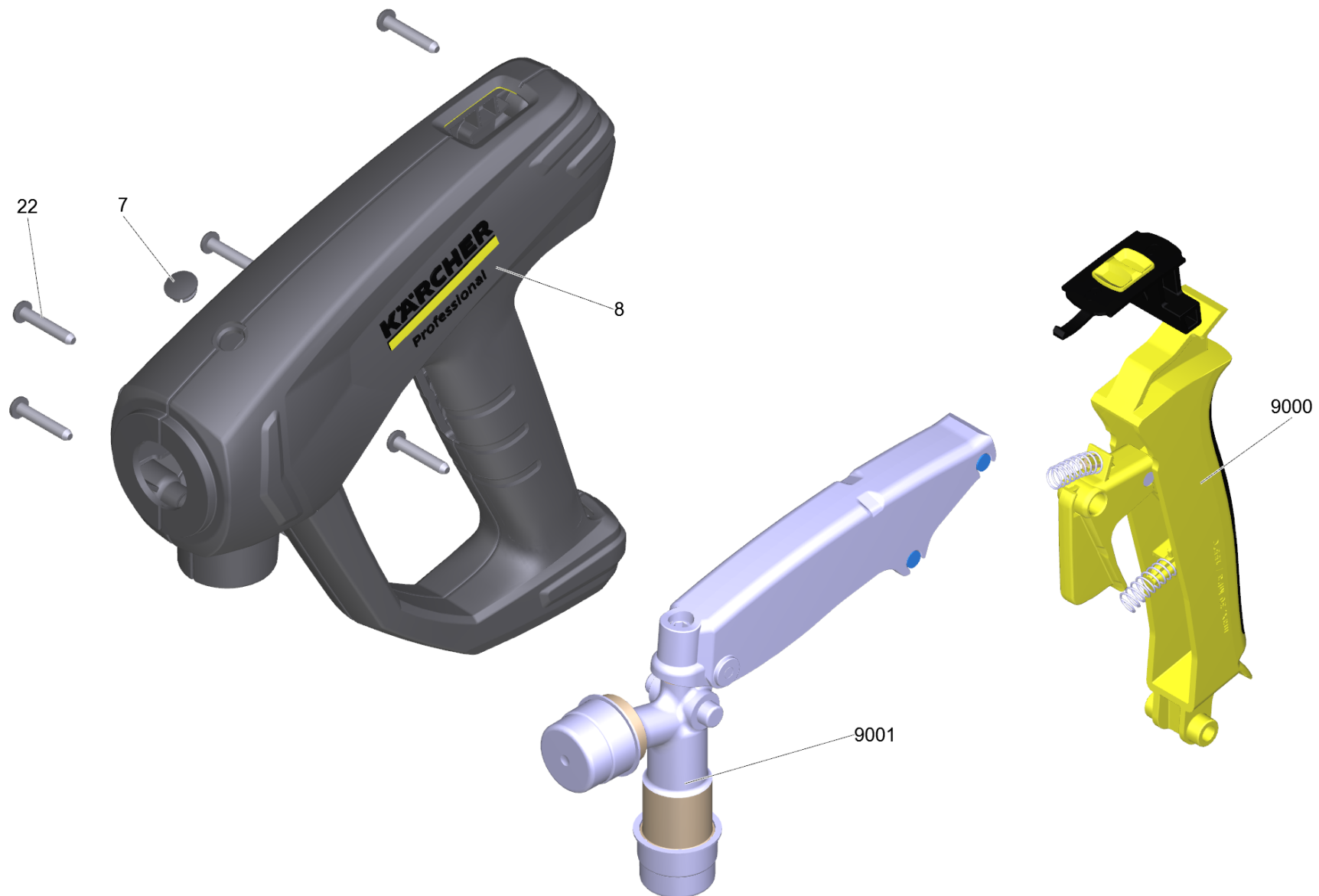


10 Triple jet nozzle

POS	Article no.	Description	Quantity	Unit	Remark
1	4.060-395.0	Housing complete only for replacement	1	ST	
4	5.394-401.0	Protection part	1	ST	
5	5.031-370.0	Moulded part	1	ST	
6	6.363-612.0	O-Ring seal 22 x 2 -NBR90	1	ST	
7	7.401-917.0	Sphere 10,0 G100-1.4301 DIN 5401	1	ST	
14	5.311-192.0	Union nut	1	ST	
15	5.394-402.0	Protection part	1	ST	
16	5.031-709.0	Moulded part	1	ST	
17	4.764-157.0	Nozzle holder 047	1	ST	4.767-064.0
17	4.764-158.0	Nozzle holder 05	1	ST	4.767-065.0
17	4.764-159.0	Nozzle holder 055	1	ST	4.767-066.0
17	4.764-161.0	Nozzle holder 08	1	ST	4.767-068.0
17	4.764-169.0	Nozzle holder 09	1	ST	4.767-075.0
17	4.764-173.0	Nozzle holder 0100	1	ST	4.767-106.0
17	7.777-999.0	Stockpiling discontinued	1	ST	4.767-067.0/-069.0

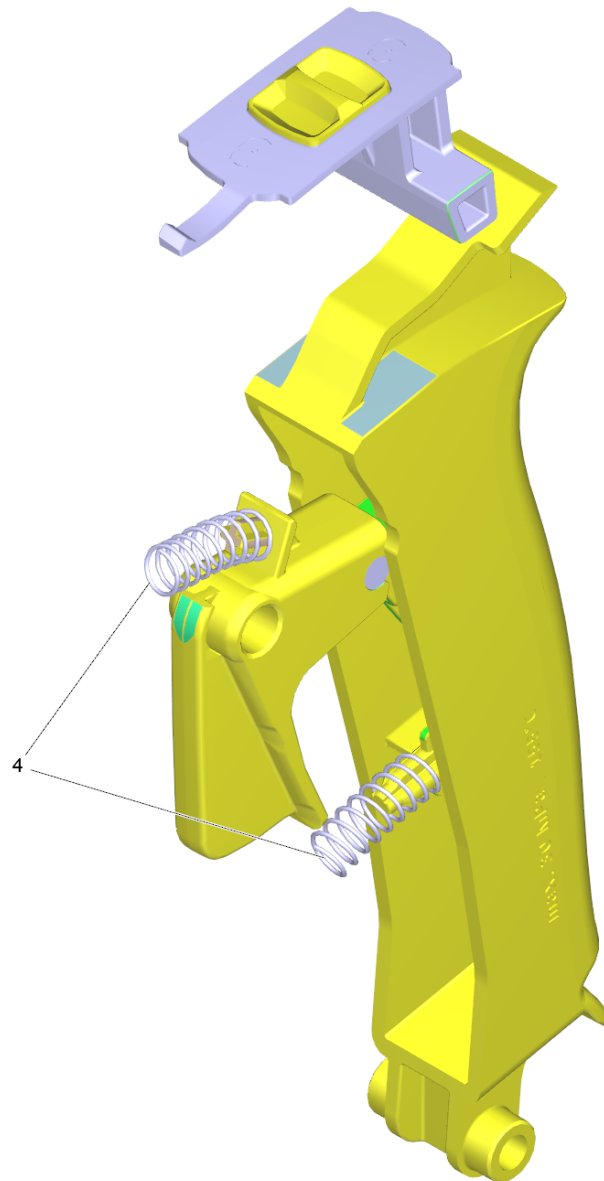
17 Nozzle holder 055 (4.764-159.0)

POS	Article no.	Description	Quantity	Unit
1	5.031-597.0	Rectifier	2	ST
	Item text2: 47641590			
7	6.362-661.0	O-Ring seal 5,0 X 1,0-NBR 80	3	ST
	Item text2: 47641590			
8	6.363-612.0	O-Ring seal 22 x 2 -NBR90	1	ST
	Item text2: 47641590			



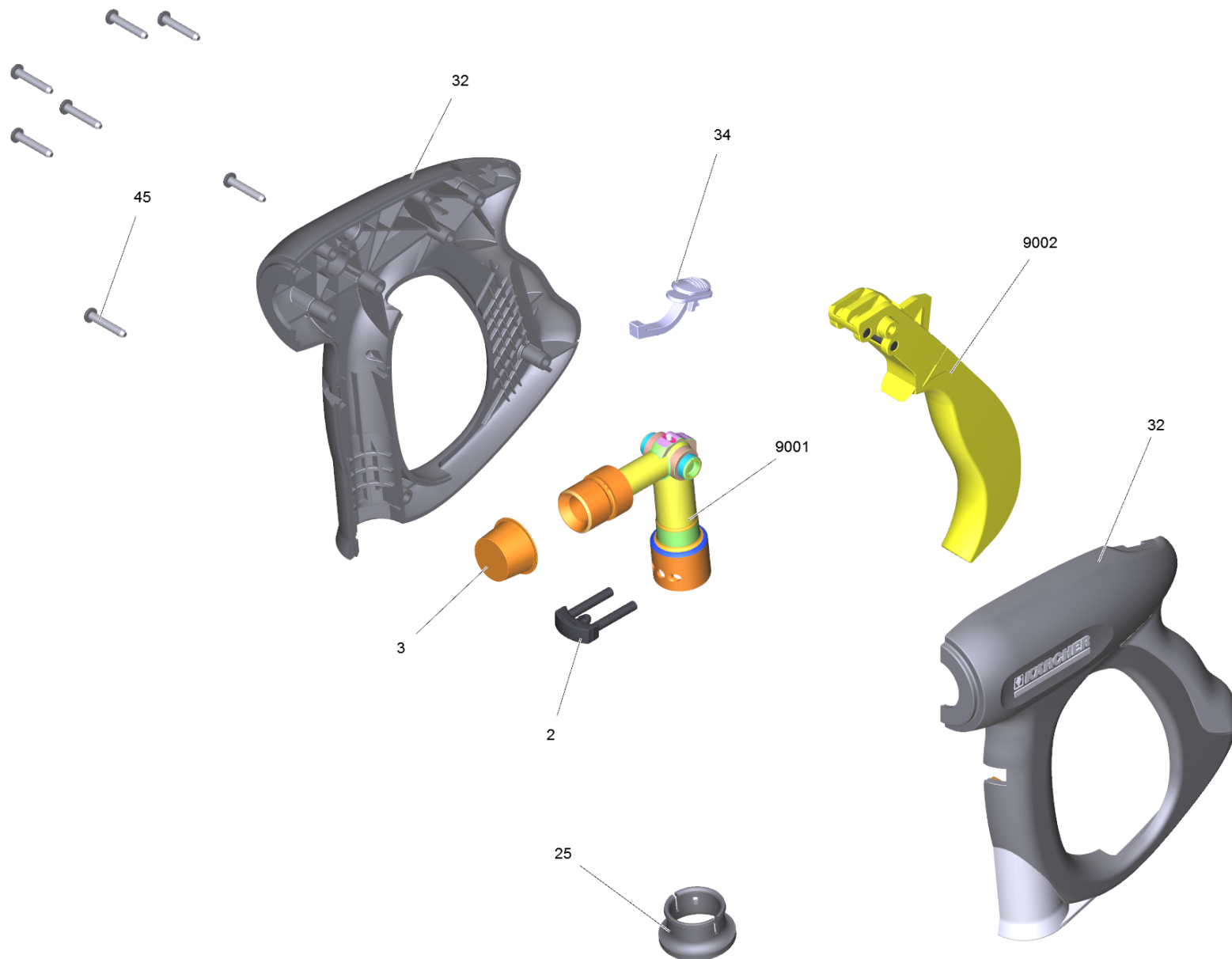
41 EASY!Force Advanced (4.118-005.0)

POS	Article no.	Description	Quantity	Unit
7	5.132-001.0	Plug	1	ST
8	5.321-136.3	Handhold few EH 155 only for replacement	1	ST
22	7.303-096.0	Screw 4x22 -ST-10.9-R2R (IN6RD)	7	ST
9000	2.885-483.0	Spare part set lever	1	ST
9001	4.427-014.0	Manifold TR EH 155 nur fuer Ersatz	1	ST



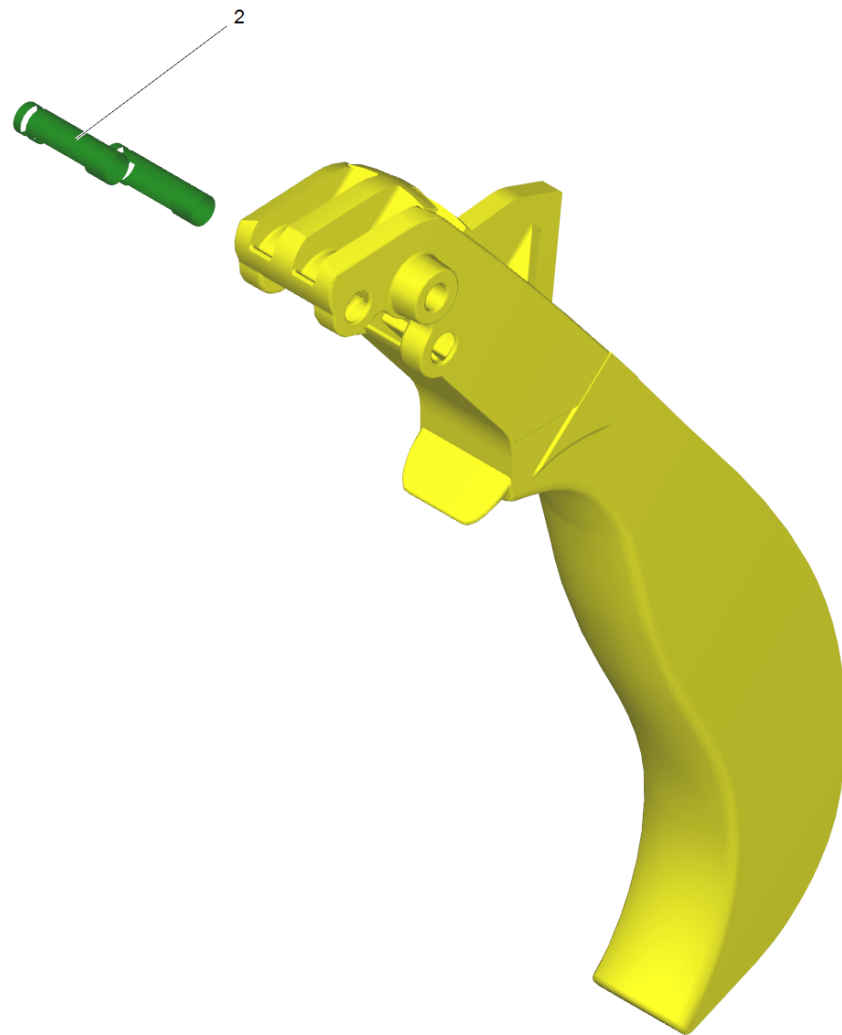
9000 Spare part set lever (2.885-483.0)

POS	Article no.	Description	Quantity	Unit
4	5.332-178.0	Helical spring	2	ST



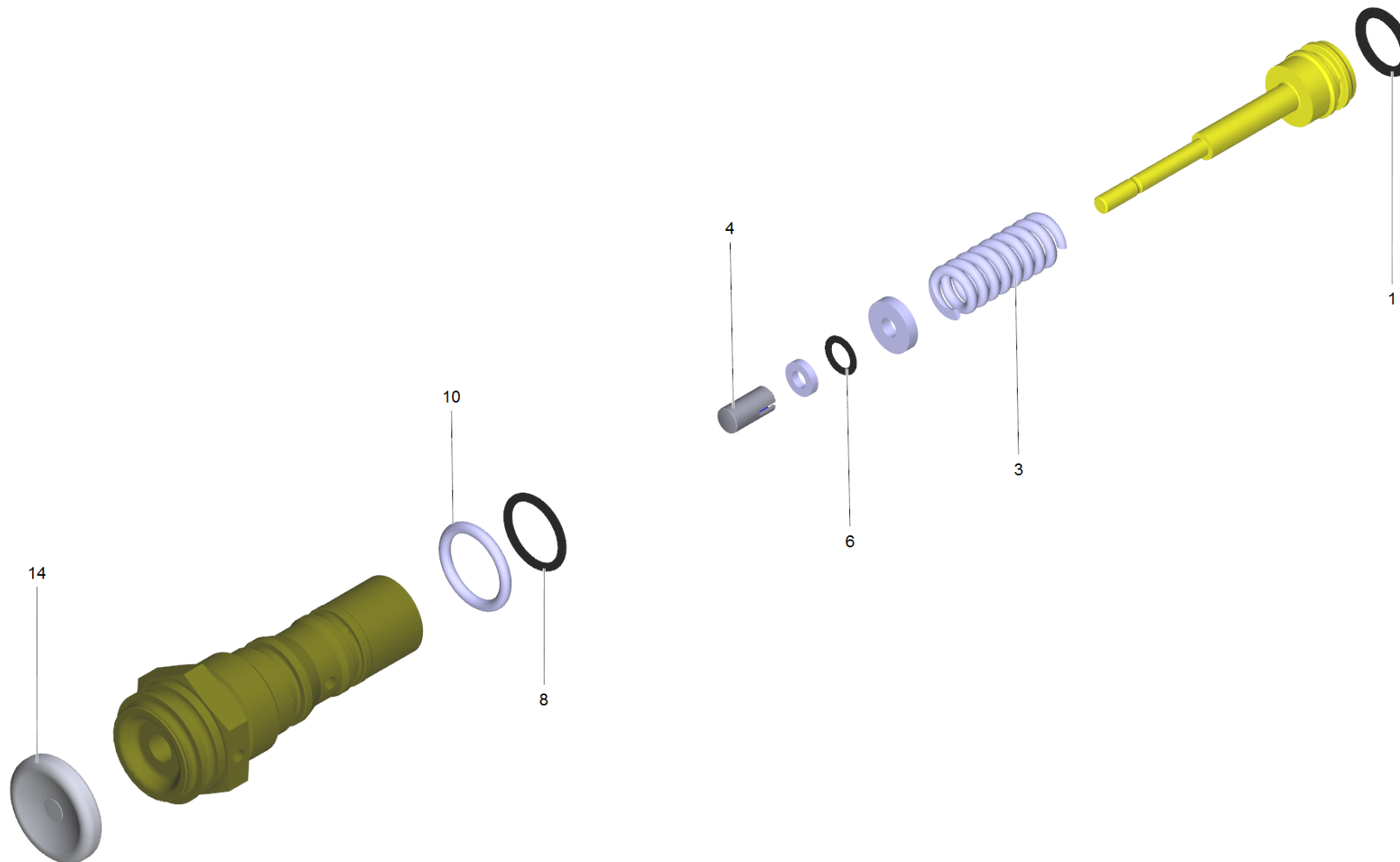
41 HAND TRIGGER GUN EASY PRESS (4.775-463.0)

POS	Article no.	Description	Quantity	Unit
2	4.037-013.0	Hook	1	ST
3	6.368-012.0	Protecting cap 22X1,5	1	ST
4	6.869-075.0	Metal bonding agent 1,5 ml	1	ST
cart_info_txt: This material is not available due to hazardous good regulation. Please procure this or a similar material from a local supplier of your choice.				
25	5.110-596.0	Sleeve	1	ST
32	5.321-669.3	Handhold few	1	ST
34	5.481-331.0	Slider	1	ST
45	7.303-096.0	Screw 4x22 -ST-10.9-R2R (IN6RD)	7	ST
1041	6.288-044.0	Silicon grease 100 G	1	ST
9001	4.427-215.0	Manifold complete only for replacement	1	ST
9002	4.481-209.0	Lever complete	1	ST



9002 Lever complete (4.481-209.0)

POS	Article no.	Description	Quantity	Unit
2	5.314-119.0	Pin	2	ST

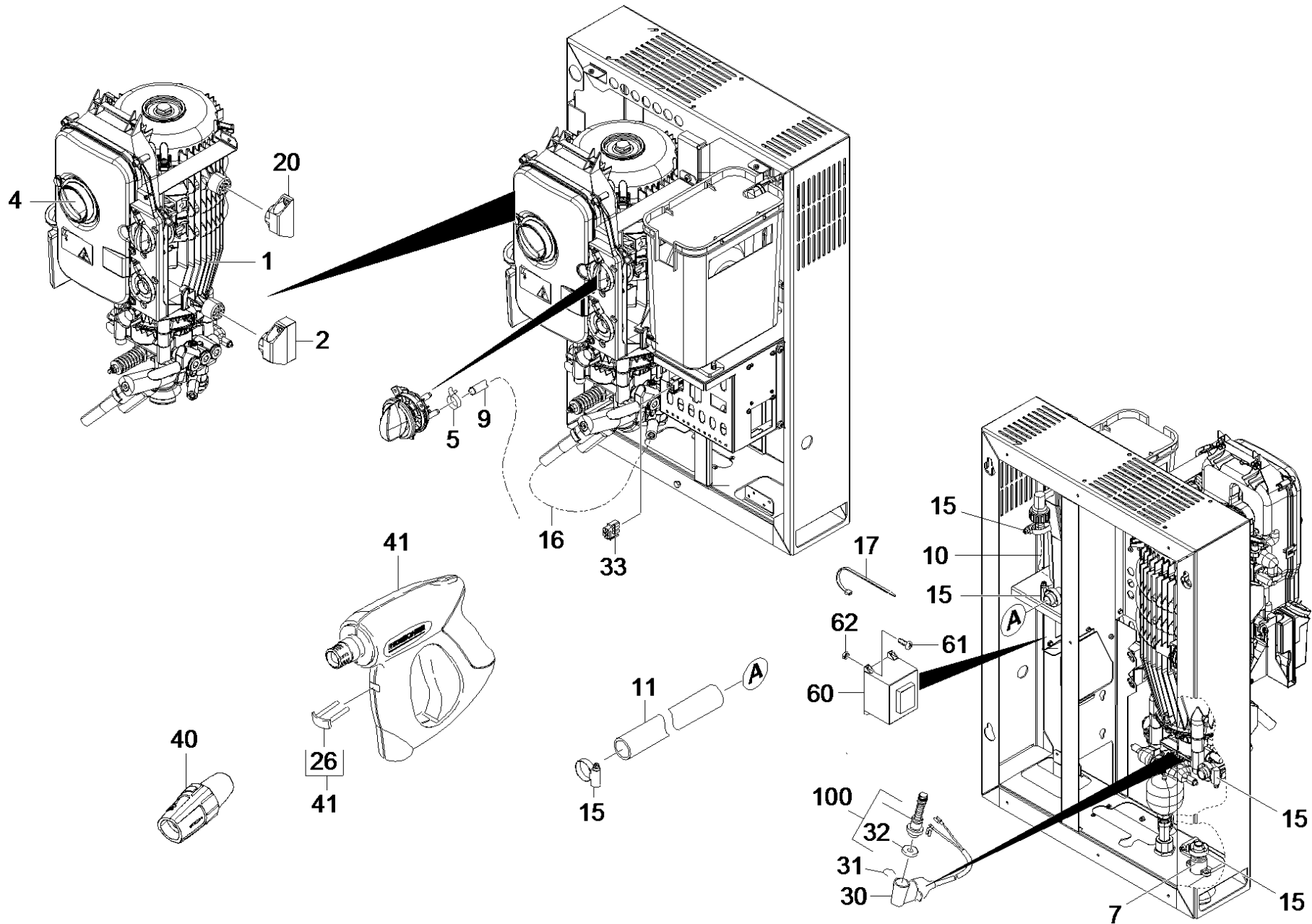


100 Spare part set control piston (2.885-226.0)

POS	Article no.	Description	Quantity	Unit
1	6.363-350.0	O-Ring seal 8.74x1.78	1	ST
3	5.332-511.0	Helical spring	1	ST
4	5.110-947.0	Sleeve	1	ST
6	6.363-330.0	O-Ring seal 2,9 x 1,78	1	ST
8	6.363-452.0	O-Ring seal 11 x 1,5	1	ST
10	6.363-519.0	O-Ring seal 12,00x 2,00	1	ST
14	5.367-030.0	Diaphragm	1	ST

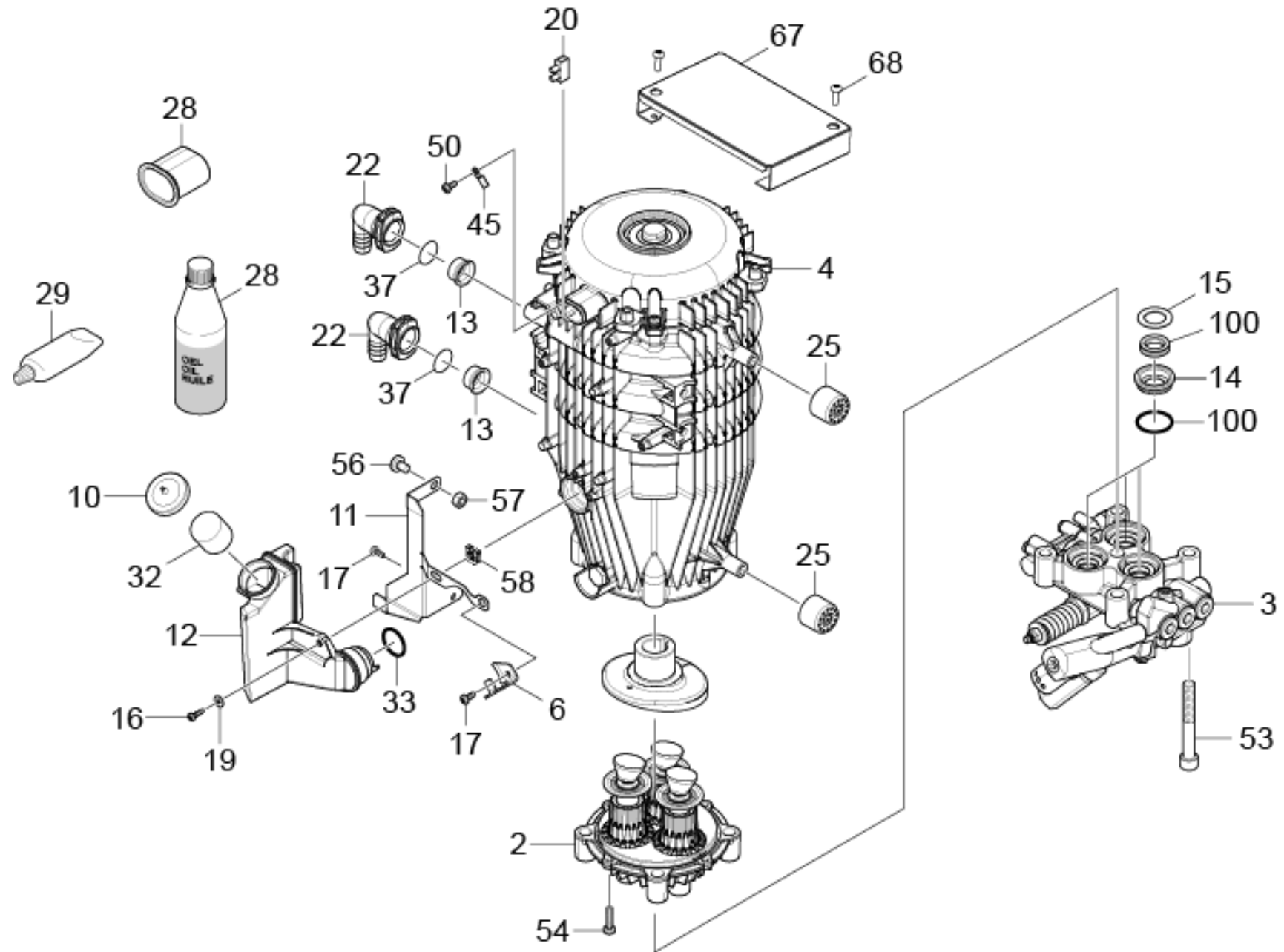
45 Pump set complete HD 13/12-4 ST 380-440V 60Hz

POS	Article no.	Description	Quantity	Unit
1000	2.532-017.3	Spare parts list pump set complete HD 13	1	ST



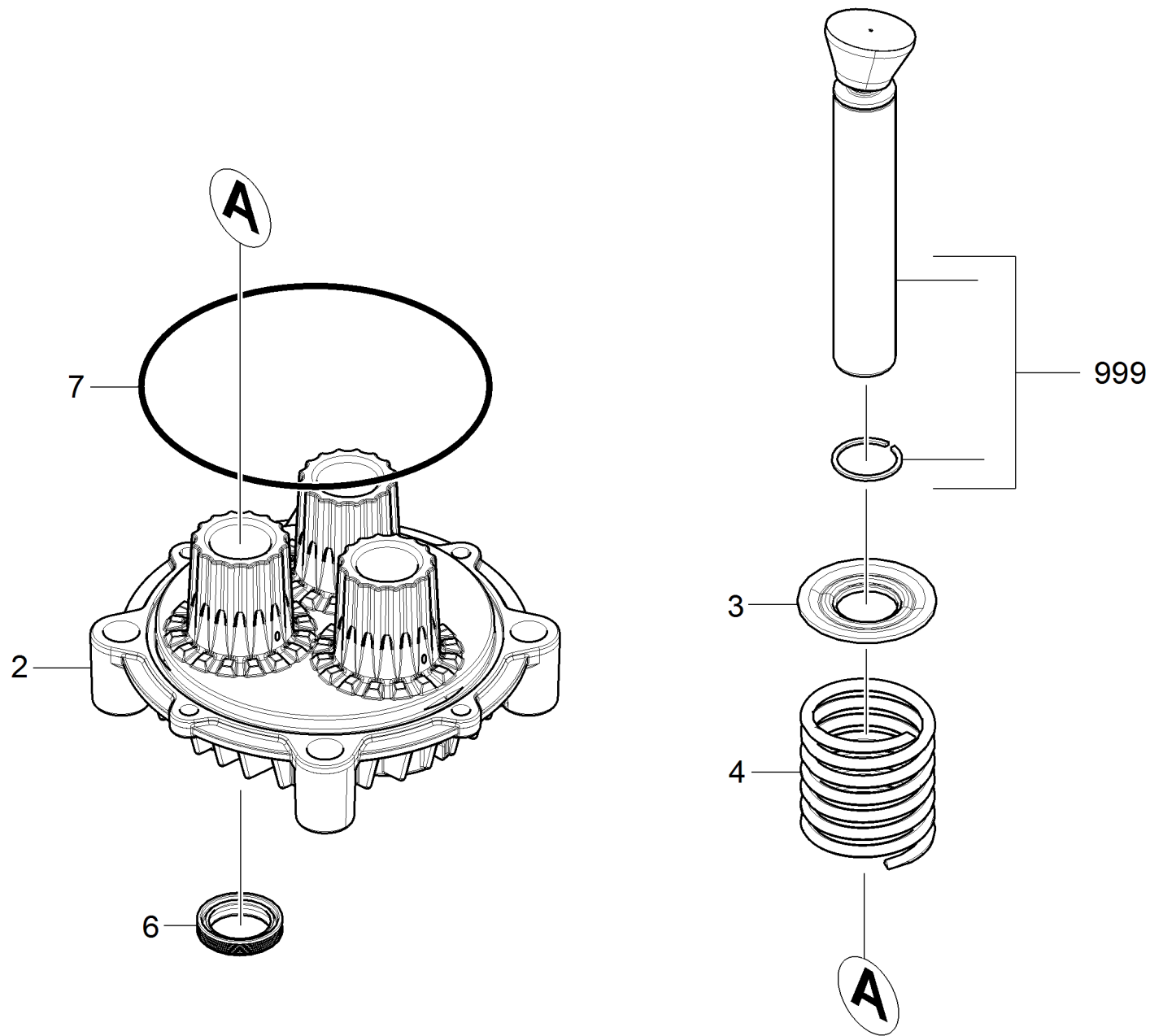
1000 Spare parts list pump set complete HD 13 (2.532-017.3)

POS	Article no.	Description	Quantity	Unit	Remark
1		Pump set HD 13/12-4 ST 60Hz	1	ST	
2	5.044-998.0	Holder	2	ST	
4		Electric control box HD-ST 400V	1	ST	
5	6.390-133.0	Hose clip	2	ST	
7	5.427-432.0	Manifold	1	ST	
9	6.388-247.0	Hose DN8 -PVC	0,64	M	
10	6.388-719.0	Hose DN17	1,27	M	
11	5.443-628.0	Hose	1	ST	
15	7.373-022.0	Hose clip A-16-27x9 -W2-2 DIN3017	6	ST	
16	6.391-990.0	Hose assembly DN8 40MPa 0,45m	1	ST	
17	6.641-465.0	Cable tape	1	ST	
20	5.044-891.0	Holder	2	ST	
26	4.037-013.0	Hook	1	ST	
30	4.744-190.0	Switch complete	1	ST	
31	5.034-494.0	Retaining bracket	1	ST	
32	5.367-030.0	Diaphragm	1	ST	
33	6.649-887.0	Plug triple dummy plug	1	ST	
40	4.117-041.0	Triple jet nozzle TR 098	1	ST	1.524-950.2
40	4.767-205.0	Triple jet nozzle only for replacement 0	1	ST	1.524-500.2
41	4.118-005.0	EASY!Force Advanced	1	ST	1.524-950.2
41	4.775-463.0	HAND TRIGGER GUN EASY PRESS	1	ST	1.524-500.2
60	6.622-332.0	Control transformer 96VA - EI78/40,5 380	1	ST	
61	7.306-058.0	Screw M 4X 12- 8.8-R2R K-IN6RD	4	ST	
62	7.311-569.0	Square nut M4 -04-A2E DIN 562	4	ST	
100	2.885-226.0	Spare part set control piston	1	ST	



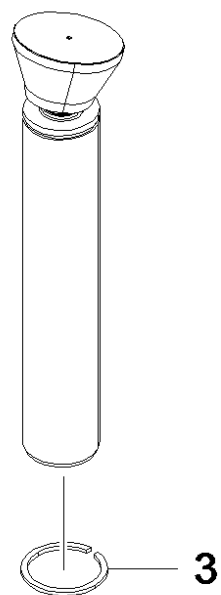
1 Pump set HD 13/12-4 ST 60Hz

POS	Article no.	Description	Quantity	Unit
2		Thrust guidance complete	1	ST
3		Cylinder head complete	1	ST
4	4.624-224.0	Motor complete only for replacement	1	ST
6	5.011-428.0	Plate bracket	1	ST
10	5.064-457.0	Cover plate qusty grey oil	1	ST
11	5.011-622.0	Plate holder oil tank	1	ST
12	5.070-831.0	Tank oil	1	ST
13	5.110-341.0	Sleeve	2	ST
14	5.112-870.0	Bush	3	ST
15	5.115-520.0	Washer	3	ST
16	7.306-208.0	Screw M 4x16-A2-70 (In6RD)	1	ST
17	7.303-038.0	Screw M5x12 -St-P2R (In6Rd)	2	ST
18	5.365-302.0	Profile gasket	1	ST
19	7.312-293.0	Washer 4-A2 ISO 7093-1	1	ST
20	6.643-151.0	Strip terminal one-pole 16mm ²	1	ZST
22	5.427-415.0	Manifold	2	ST
25	5.767-005.0	Rubber buffer	4	ST
28	6.288-016.0	Gear oil 1L	1	ST
29	6.288-044.0	Silicon grease 100 G	1	ST
32	5.132-187.0	Plug	1	ST
33	6.362-722.0	O-Ring seal 28,0 X 3,0	1	ST
37	6.362-579.0	O-Ring seal 17,5 X 3,5	2	ST
45	4.820-578.0	Cable green/yellow 1,5mm ² x450mm	1	ST
50	7.303-031.0	Screw M4x10 -St-P2R (In6Rd)	1	ST
53	7.306-430.0	Cylinder head screw M12x90- 10.9-A3K ISO 4762	4	ST
54	7.306-094.0	Screw M6x25 -8.8-R3R (In6Rd)	2	ST
56	7.311-068.0	Hexagon nut M 8-A2-70 ISO 4032	1	ST
57	7.306-223.0	Screw M8x12 -A2-70 (In6Rd)	1	ST
58	6.310-176.0	Putting nut M4	1	ST
67	5.010-082.0	Cover plate HD 10/25 Cage	1	ST
68	7.303-048.0	Screw M6x20 -St-R3R (In6Rd)	2	ST
100	2.885-319.0	Pump set HD 13/12-4 ST-H	1	ST



2 Thrust guidance complete

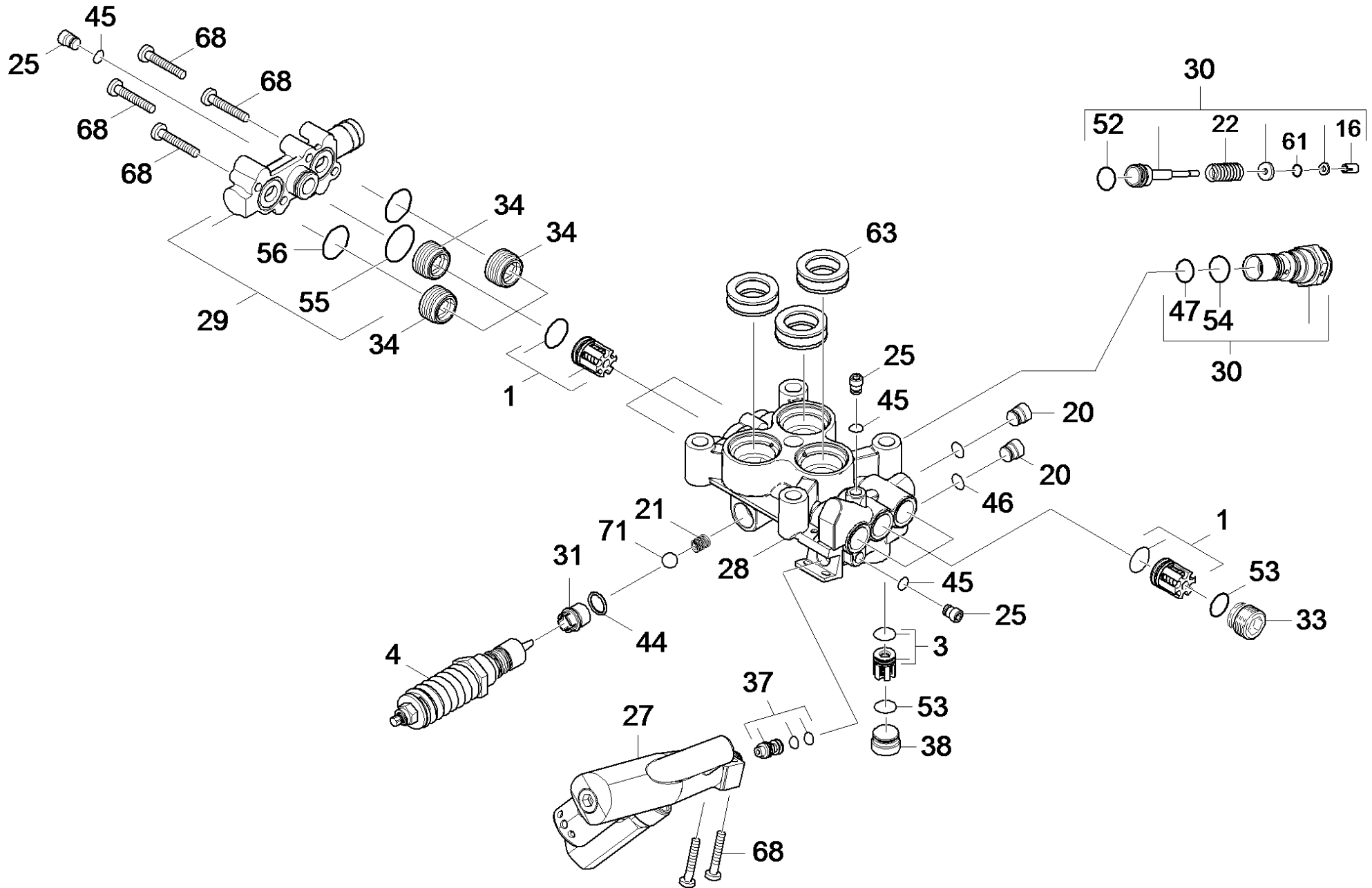
POS	Article no.	Description	Quantity	Unit
2	5.060-954.3	Thrust guidance D22	1	ST
3	5.116-065.0	Washer D22	3	ST
4	5.332-187.0	Helical spring	3	ST
6		Part at pump set	1	ST
7		Part at pump set	1	ST
999	4.553-280.0	Piston complete only for replacement	3	ST



999 Piston complete only for replacement (4.553-280.0)

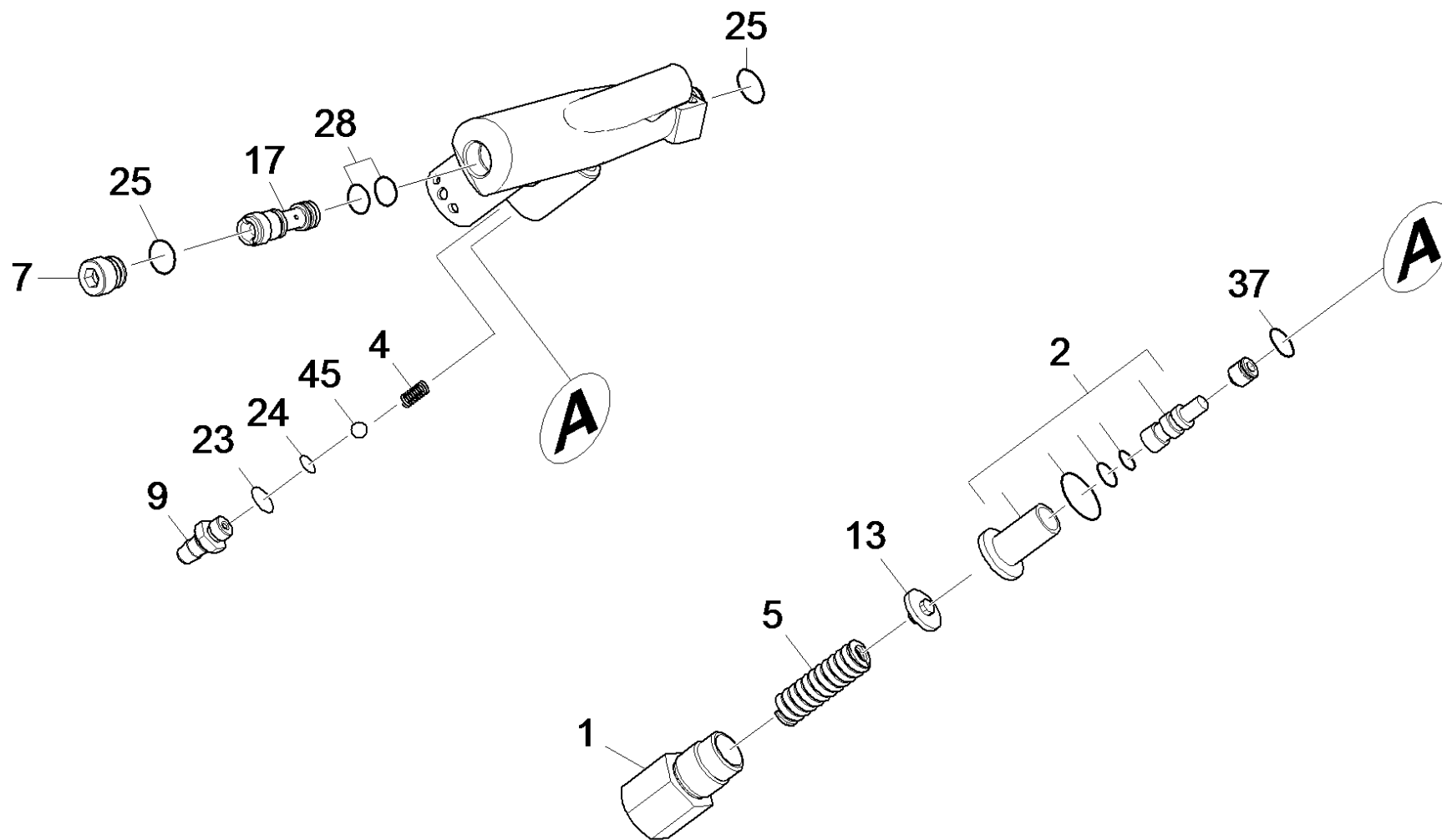
POS	Article no.	Description	Quantity	Unit
3	6.343-142.0	Snap ring WR 22	1	ST

3 Cylinder head complete



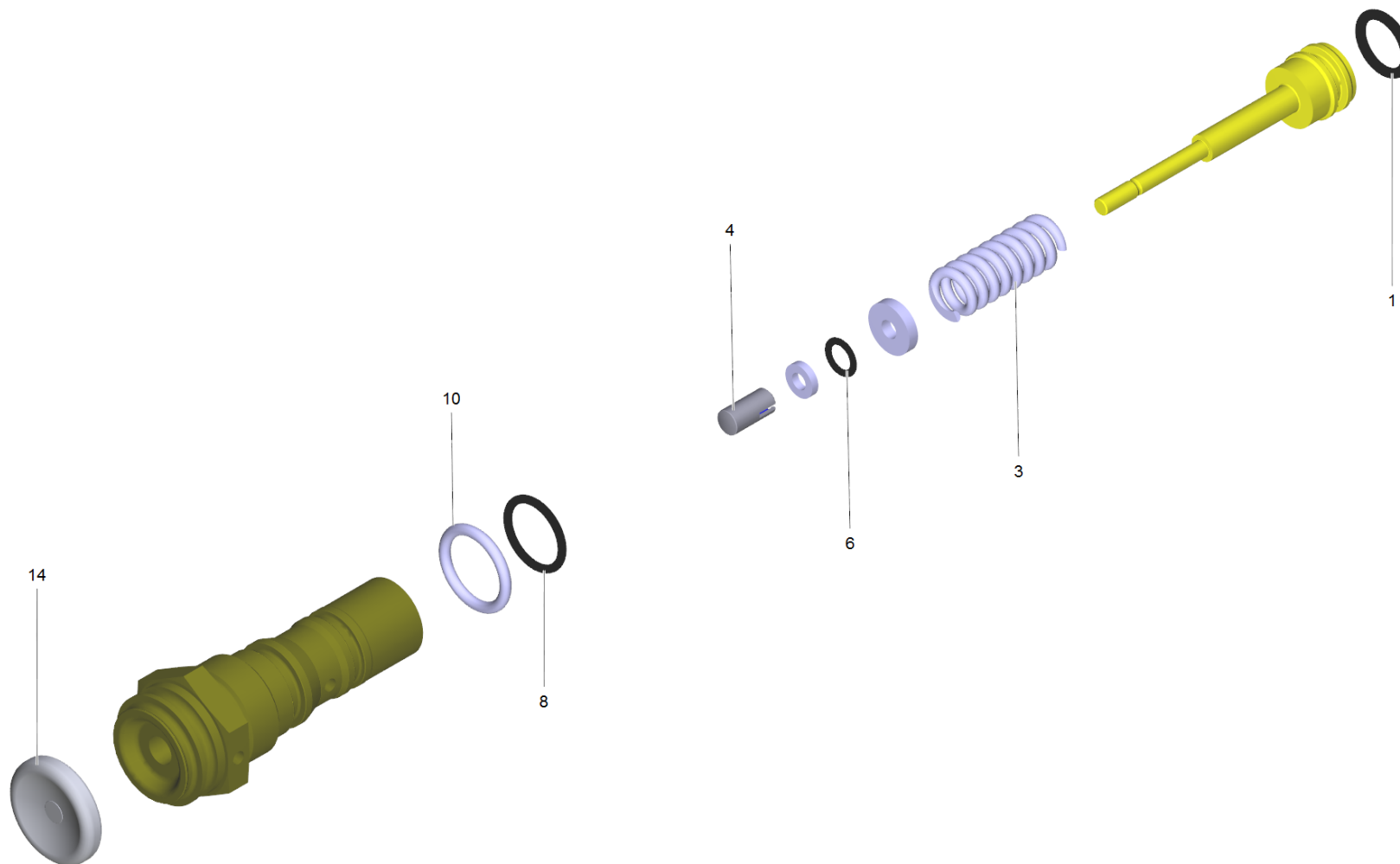
3 Cylinder head complete

POS	Article no.	Description	Quantity	Unit
1		Part at pump set	1	ST
3		Part at pump set	1	ST
4	2.885-238.0	Spare part set overflow valve	1	ST
16	5.110-947.0	Sleeve	1	ST
20	5.411-152.0	Screw plug	2	ST
21	5.332-999.0	Helical spring	1	ST
22	5.332-511.0	Helical spring	1	ST
25	5.411-161.0	CLOSING SCREW M10X1	3	ST
27		Overflow valve complete	1	ST
28	5.550-367.0	Cylinder head HD 13/12-4 ST	1	ST
29	2.885-233.0	Manifold low-pressure intake	1	ST
30	2.885-226.0	Spare part set control piston	1	ST
31	5.581-270.0	Valve seat	1	ST
33	5.583-146.3	Valve screw	3	ST
34	5.583-180.0	Valve screw M20x1	3	ST
37	2.885-231.0	Spare part set nozzle insert only for re	1	ST
38	5.411-166.0	CLOSING SCREW	1	ST
44	6.362-151.0	O-Ring d. 10 x 2 NBR 70	1	ST
45		Part at pump set	1	ST
46		Part at pump set	1	ST
47	6.363-615.0	O-Ring seal 11 x 1,5 -NBR70	1	ST
52	6.363-350.0	O-Ring seal 8.74x1.78	1	ST
53		Part at pump set	1	ST
54	6.362-169.0	O-Ring seal 12,0 X 2,0	1	ST
55		Part at pump set	1	ST
56		Part at pump set	1	ST
61	6.363-330.0	O-Ring seal 2,9 x 1,78	1	ST
63		Part at pump set	1	ST
68	7.306-118.0	Screw M 6x35 -8.8-R3R (In6Rd)	6	ST
71	7.401-910.0	Sphere 3/8 G80-1.4034 DIN 5401	1	ST



27 Overflow valve complete

POS	Article no.	Description	Quantity	Unit
1	5.304-114.0	Hexagonal head screw bush	1	ST
2	2.885-232.0	Wearing parts set	1	ST
4	5.332-258.0	Helical spring	1	ST
5	5.332-444.0	Helical spring	1	ST
7	5.411-168.0	Valve screw M16x1	1	ST
9	5.443-370.0	Nipple	1	ST
13	5.584-169.0	Valve pin	1	ST
17	5.769-227.0	Nozzle insert	1	ST
23	6.362-690.0	O-Ring seal 7x2 - NBR 70	1	ST
24	6.363-597.0	O-Ring seal 5,28 x 1,78	1	ST
25	6.362-151.0	O-Ring d. 10 x 2 NBR 70	2	ST
28	6.362-384.0	O-Ring seal 9x1,5 - NBR 70	2	ST
37	6.363-045.0	O-Ring seal 8X1,25 NBR	1	ST
45	7.401-908.0	Sphere 7 G300 -1.4301 DIN 5401	1	ST

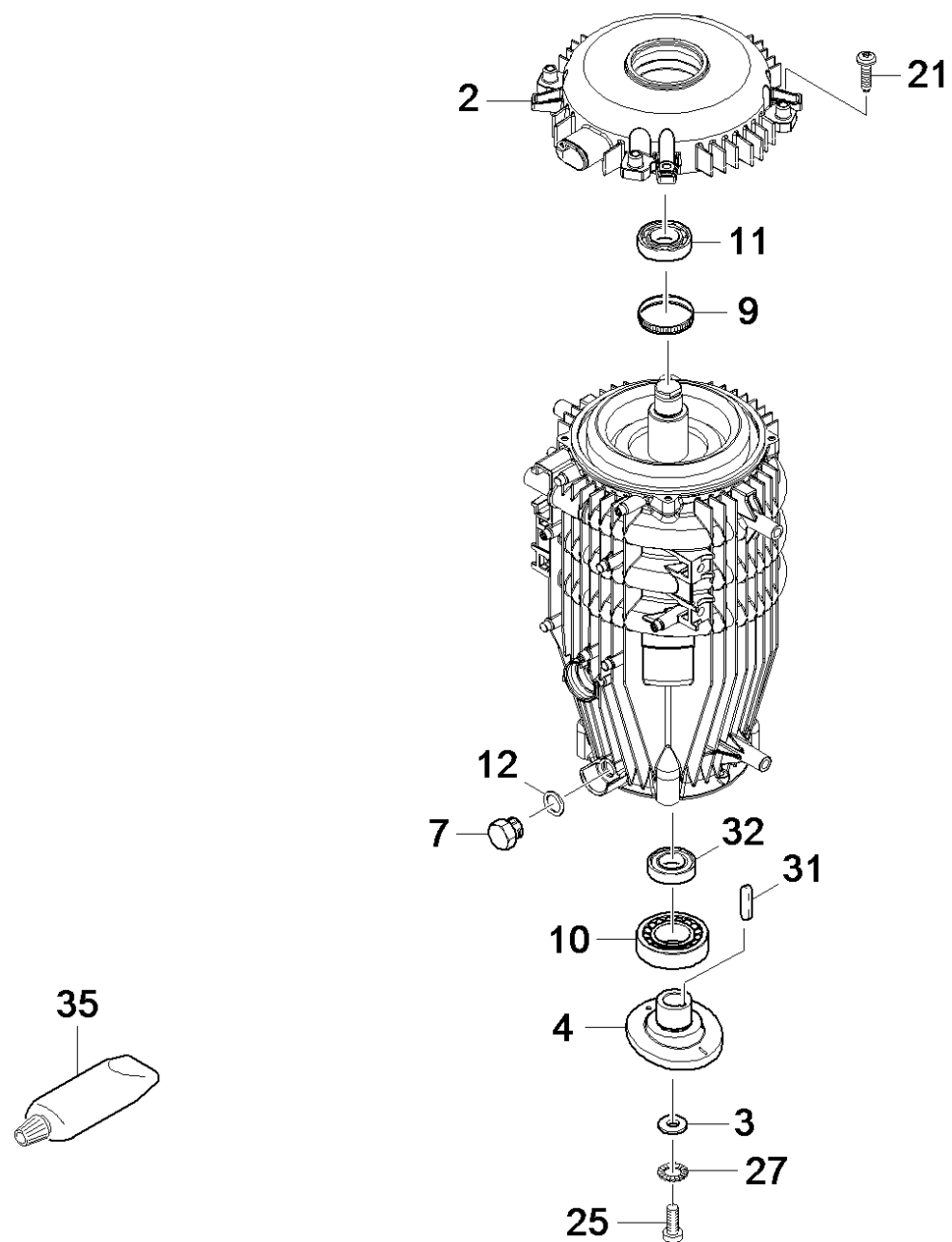


30 Spare part set control piston (2.885-226.0)

POS	Article no.	Description	Quantity	Unit
1	6.363-350.0	O-Ring seal 8.74x1.78	1	ST
3	5.332-511.0	Helical spring	1	ST
4	5.110-947.0	Sleeve	1	ST
6	6.363-330.0	O-Ring seal 2,9 x 1,78	1	ST
8	6.363-452.0	O-Ring seal 11 x 1,5	1	ST
10	6.363-519.0	O-Ring seal 12,00x 2,00	1	ST
14	5.367-030.0	Diaphragm	1	ST

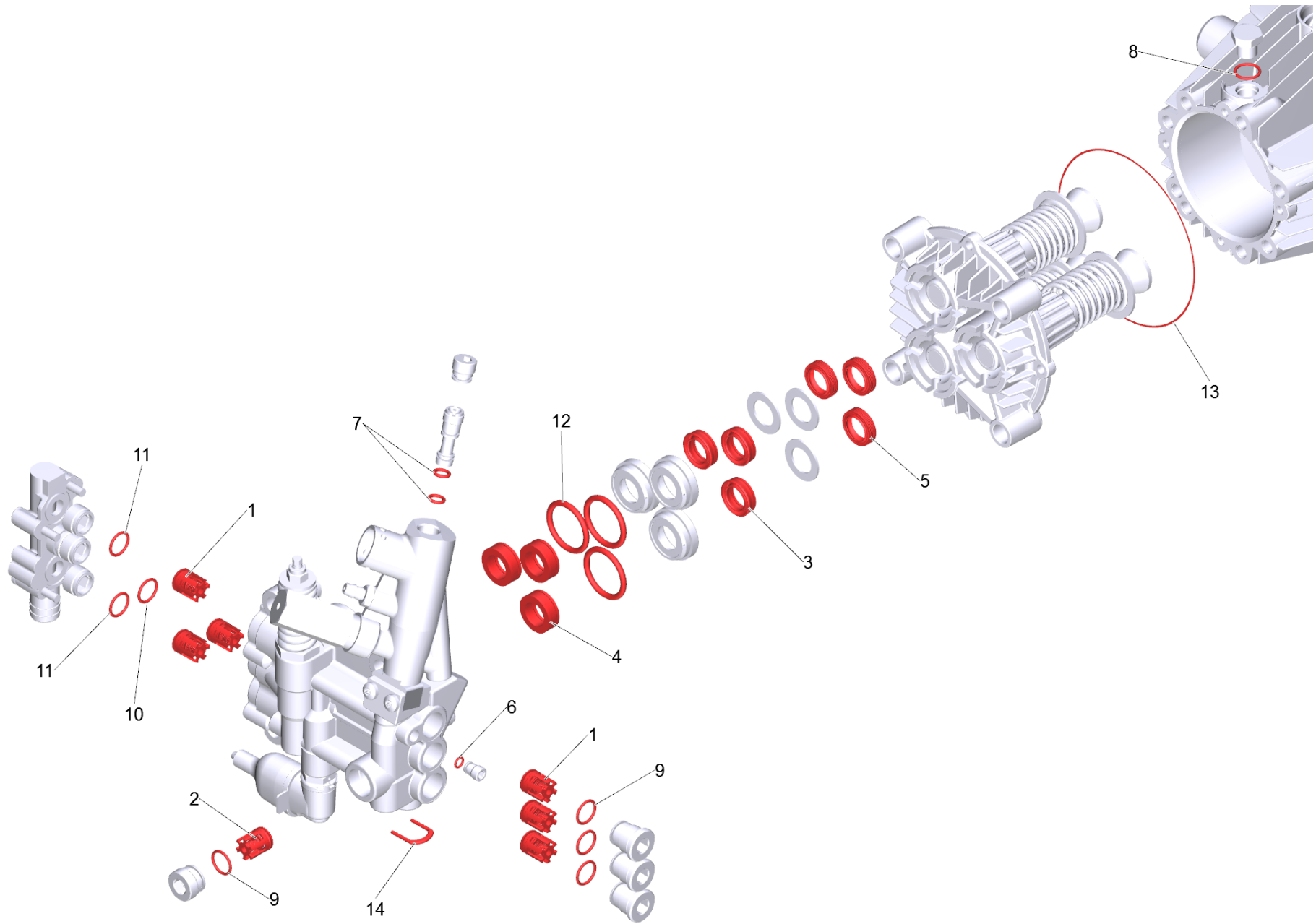
4 Motor complete only for replacement (4.624-224.0)

POS	Description	Quantity	Unit
1	Motor complete HD 13/12-4ST 60Hz	1	ST



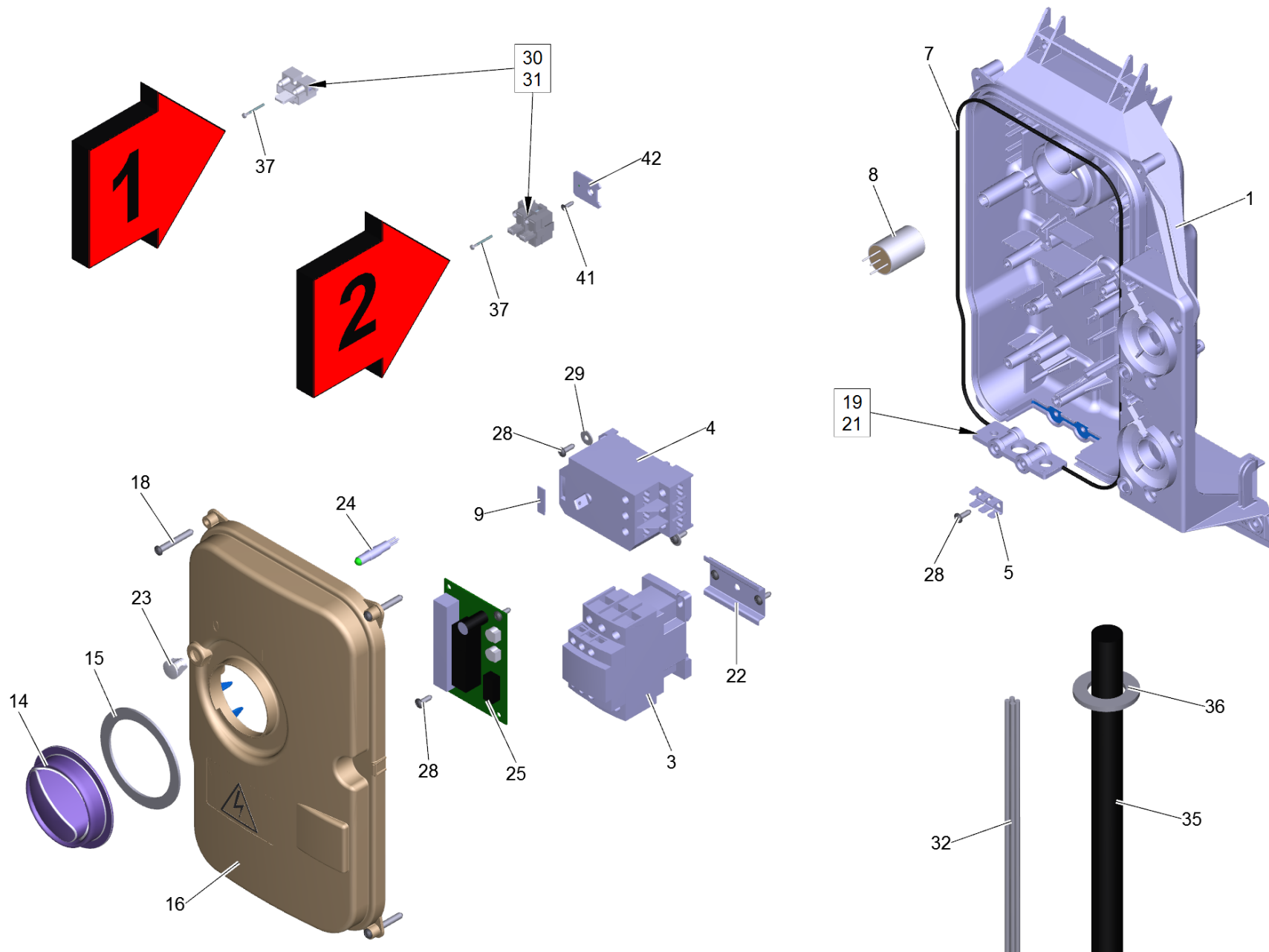
1 Motor complete HD 13/12-4ST 60Hz

POS	Article no.	Description	Quantity	Unit
2	5.064-006.0	Bearing cover B	1	ST
3	5.115-565.0	Washer	1	ST
4	5.120-361.0	Wobble plate	1	ST
7	5.411-100.0	Screw plug	1	ST
9	6.343-010.0	Tolerance ring 62x10	1	ST
10	6.401-225.3	Taper roller bearing 41	1	ST
11	6.401-253.0	Ball bearing 6305-2Z	1	ST
12	6.363-498.0	O-Ring seal 11,0x2,0 HNBR	1	ST
21	6.303-515.0	Self-tapping screw M6x25	4	ST
25	7.306-041.0	Cylinder head screw M8x20 -8.8-A2E ISO	1	ST
27	7.312-159.0	Toothed lock washer A8,4-FST-PH DIN 679	1	ST
31	7.318-035.0	Parallel key 8x7x25 -C45K DIN 6885-1	1	ST
32	7.367-012.0	Radial shaft seal ring A35x52x7 -FKM DIN	1	ST
35	6.288-044.0	Silicon grease 100 G	1	ST



100 Pump set HD 13/12-4 ST-H (2.885-319.0)

POS	Article no.	Description	Quantity	Unit
1	2.885-229.0	Valve only for replacement	2	ST
2	4.580-734.0	Valve complete	1	ST
3	2.885-253.0	Set of gaskets ND PTFE (3x)	1	ST
4	2.885-234.0	Set of gaskets high pressure (3 Stueck)	1	ST
5	6.365-422.0	Grooved ring 22X30X7/6	3	ST
6	6.363-543.0	O-Ring seal 6,0 x 1,5 HNBR 70 Shore	3	ST
7	6.363-331.0	O-Ring seal 9,0 x 1,5	2	ST
8	6.363-498.0	O-Ring seal 11,0x2,0 HNBR	1	ST
9	6.363-459.0	O-Ring seal 14 x 2	4	ST
10	6.363-542.0	O-Ring seal 16,0 x 2,0 HNBR 70 Shore	1	ST
11	6.363-541.0	O-Ring seal 21 x 1,78 HNBR 70 Shore	2	ST
12	6.363-545.0	O-Ring seal 36,0 x 2,0 HNBR 70 Shore	3	ST
13	6.363-544.0	O-Ring seal 114,0 x 3,0 HNBR 70 Shore	1	ST
14	5.034-494.0	Retaining bracket	1	ST
15	6.288-072.0	Silicon grease	1	ST



4 Electric control box HD-ST 400V

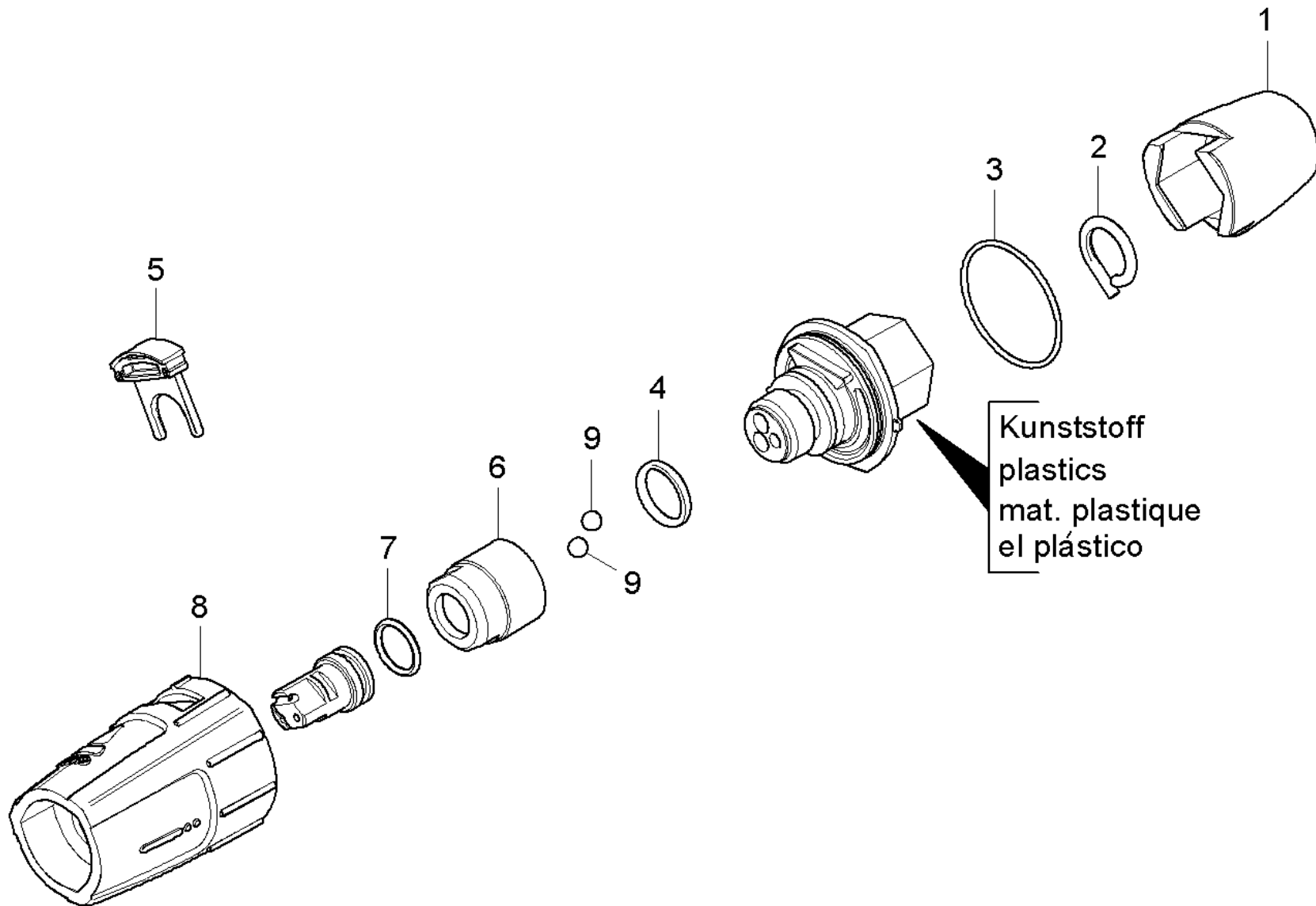
POS	Article no.	Description	Quantity	Unit	Foot note text
1	5.062-336.0	Housing electric control box	1	ST	
3	6.632-356.0	Contactor LC1-D18 B7	1	ST	
4	6.631-190.0	Motor protecting switch	1	ST	
5	6.641-270.0	Plug	1	ST	
7	6.273-037.0	Seal string cellular rubber 3	0,8	M	
8	6.661-302.0	Interference suppressor triple-pole	1	ST	
9	6.630-049.0	Cap	1	ST	
10	4.820-476.0	Cable black 2,5mm ² x250mm	3	ST	
14	5.321-692.0	Handle	1	ST	
15	5.363-616.0	Joint ring	1	ST	
16	5.064-413.0	Cover electric control box	1	ST	
18	7.303-085.0	Screw 4x 35 -10.9-R2R (K-In6Rd)	4	ST	
19	5.263-101.0	Tensioning part 10.5/14/7	2	ST	
20	6.641-463.0	Cable tape	4	ST	
21		Sheet metal screw ST3,9x45 -St-A2K-C-H I	2	ST	
22	5.802-261.0	Mounting part	1	ST	
23	6.651-506.0	Lens housing	1	ST	
24	6.651-505.0	Pilot lamp	1	ST	
25	6.984-610.0	Circuit board control system HD-ST	1	ST	
27	4.820-793.0	Cable brown 1,0mm ² x200mm	2	ST	
28	7.303-106.0	Screw 4x12 -10.9-R2R (IN6RD)	7	ST	
29	7.312-281.0	Washer 4 -200HV-A2E ISO7093-1	2	ST	
30	6.643-336.0	Strip terminal	2	ST	VERSION 1
30	6.643-471.0	Strip terminal with fuse	2	ST	VERSION 2
31	6.644-070.0	Fuse insert medium time-lag G-5,0A	2	ST	
32	6.649-844.0	Cable harness HD-ST	1	ST	
35	6.649-442.0	Cable with plug	1	ST	
36	7.312-098.0	Washer 27 -PA6.6-Natur ISO 7089	1	ST	
37	6.303-245.0	Cylinder head screw 3X18-ST-A2E	1	ST	VERSION 1
37	7.306-045.0	Screw M2x20 -4.8-A2K DIN 84	1	ST	VERSION 2
40	6.642-043.0	Insulating hose 10	0,36	M	
41	7.303-119.0	Countersunk screw 3x10 -10.9-R2R (In6Rd)	1	ST	VERSION 2
42	5.013-470.0	Plate clamp	1	ST	VERSION 2

40 Triple jet nozzle only for replacement 0 (4.767-205.0)

POS	Article no.	Description	Quantity	Unit
2	5.970-837.0	Spare parts list triple jet nozzle	1	ST

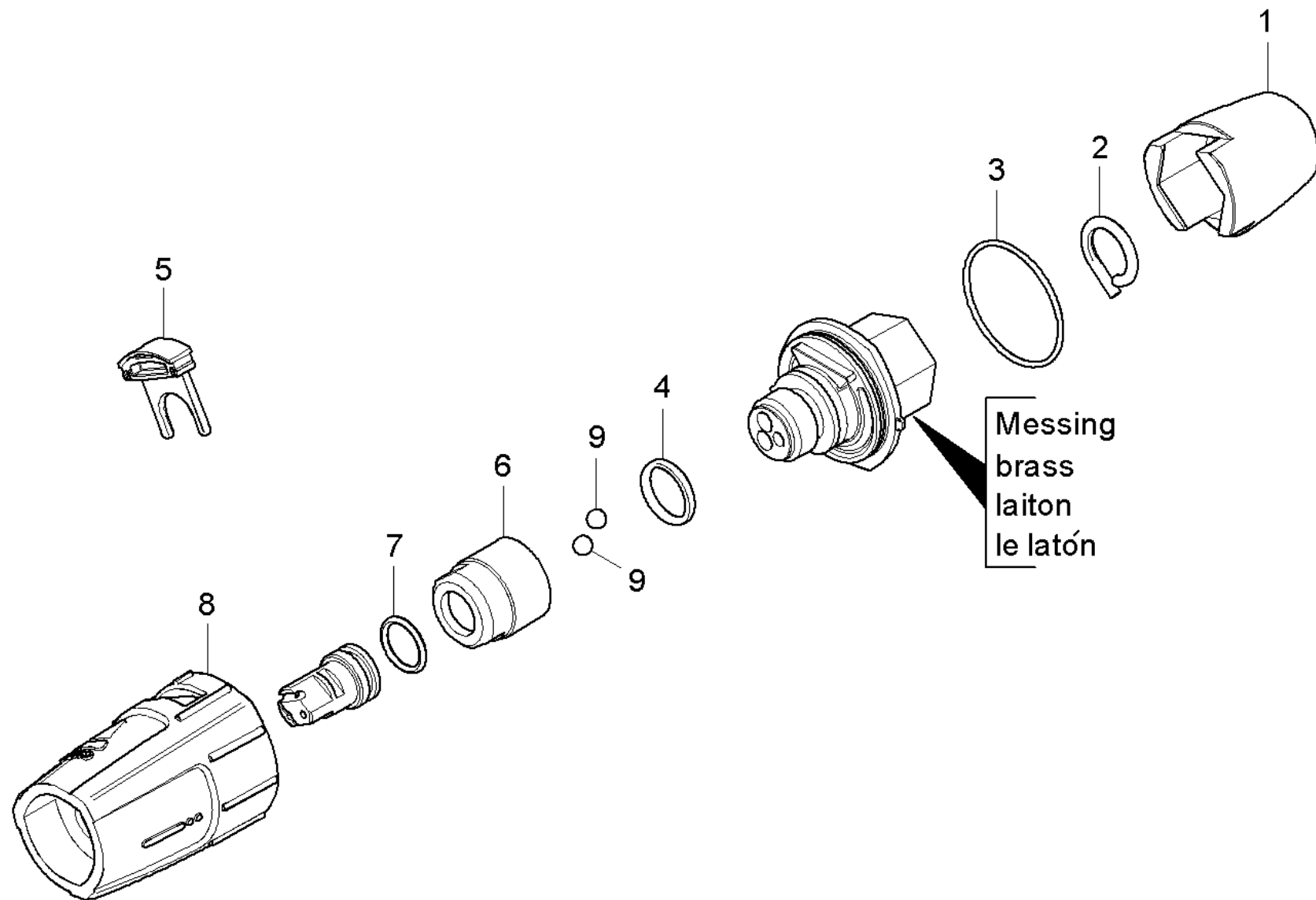
2 Spare parts list triple jet nozzle (5.970-837.0)

POS	Description	Quantity	Unit
10	Triple jet nozzle plastics	1	ST
20	Triple jet nozzle brass	1	ST



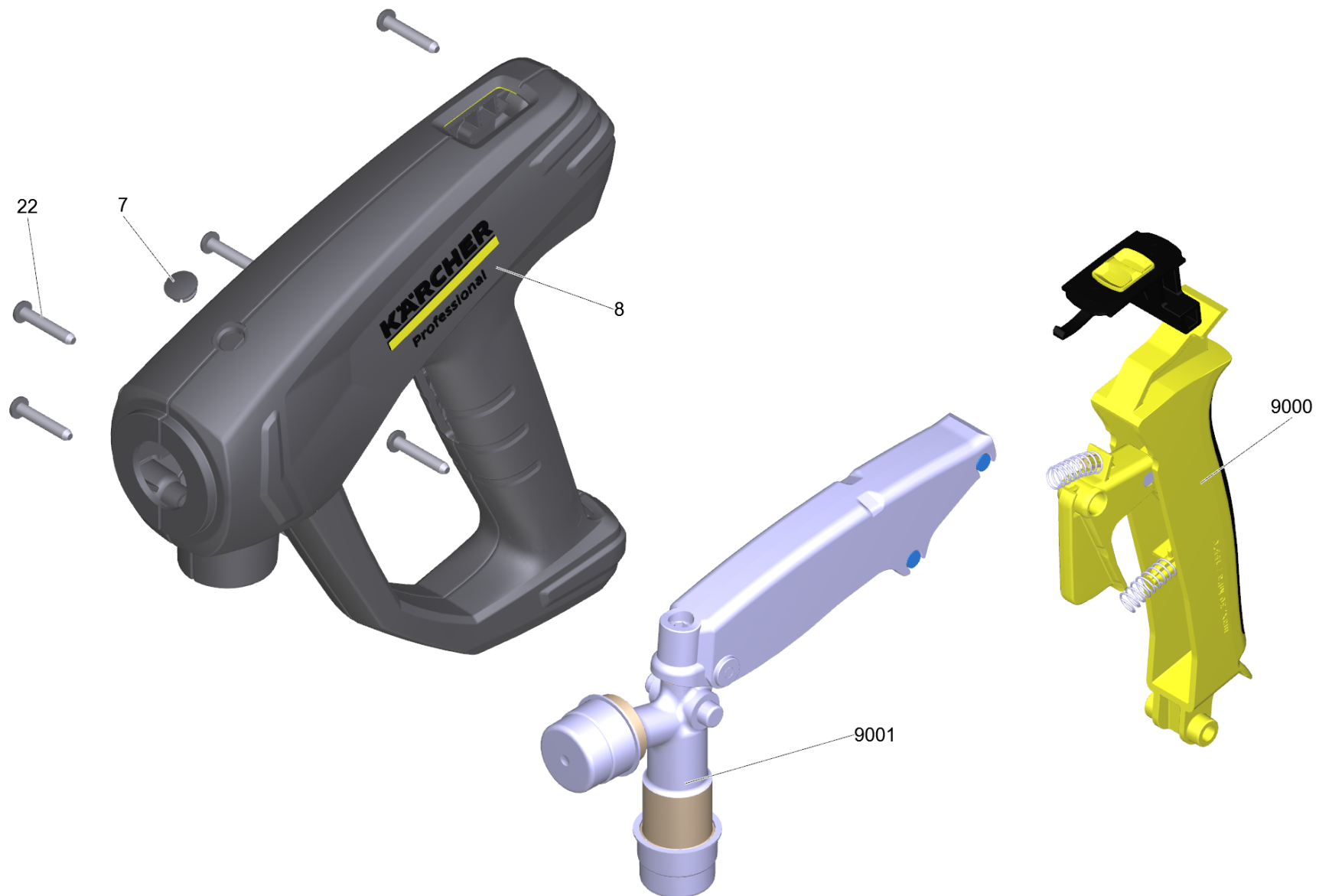
10 Triple jet nozzle plastics

POS	Article no.	Description	Quantity	Unit
1	5.394-530.0	Protection part complete	1	ST
2	6.343-150.0	Pin 03	1	ST
3	6.362-409.0	O-Ring seal 32,0 X 1,5	1	ST
4	7.362-039.0	O-Ring seal 15,5x1,5 -NBR70 DIN 3771	1	ST
5	5.321-884.0	Clamp	1	ST
6	5.311-236.0	Nut	1	ST
7	6.362-480.0	O-Ring seal 12,42x 1,78	1	ST
8	5.394-874.0	Protection part	1	ST
9	7.401-902.0	Sphere 5 G20 -1.4034 DIN 5401	2	ST



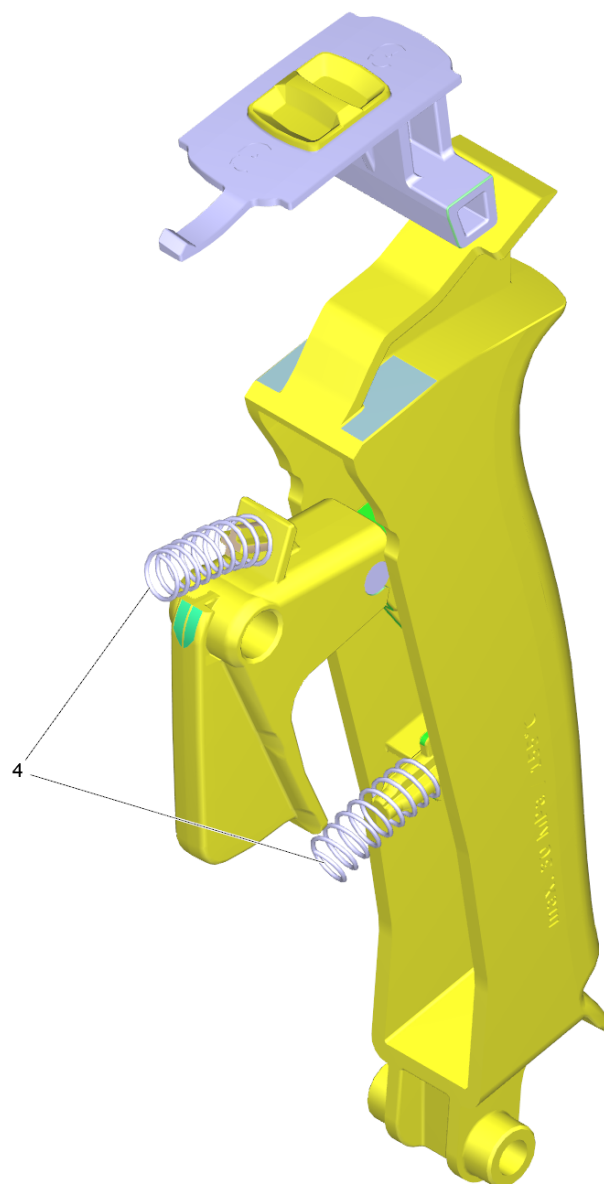
20 Triple jet nozzle brass

POS	Article no.	Description	Quantity	Unit
1	5.394-530.0	Protection part complete	1	ST
2	6.343-150.0	Pin 03	1	ST
3	6.362-409.0	O-Ring seal 32,0 X 1,5	1	ST
4	6.362-460.0	O-Ring seal 14,0 X 2,5-NBR 70	1	ST
5	5.321-884.0	Clamp	1	ST
6	5.311-225.0	Nut	1	ST
7	6.362-480.0	O-Ring seal 12,42x 1,78	1	ST
8	5.394-859.0	Protection part	1	ST
9	7.401-902.0	Sphere 5 G20 -1.4034 DIN 5401	2	ST



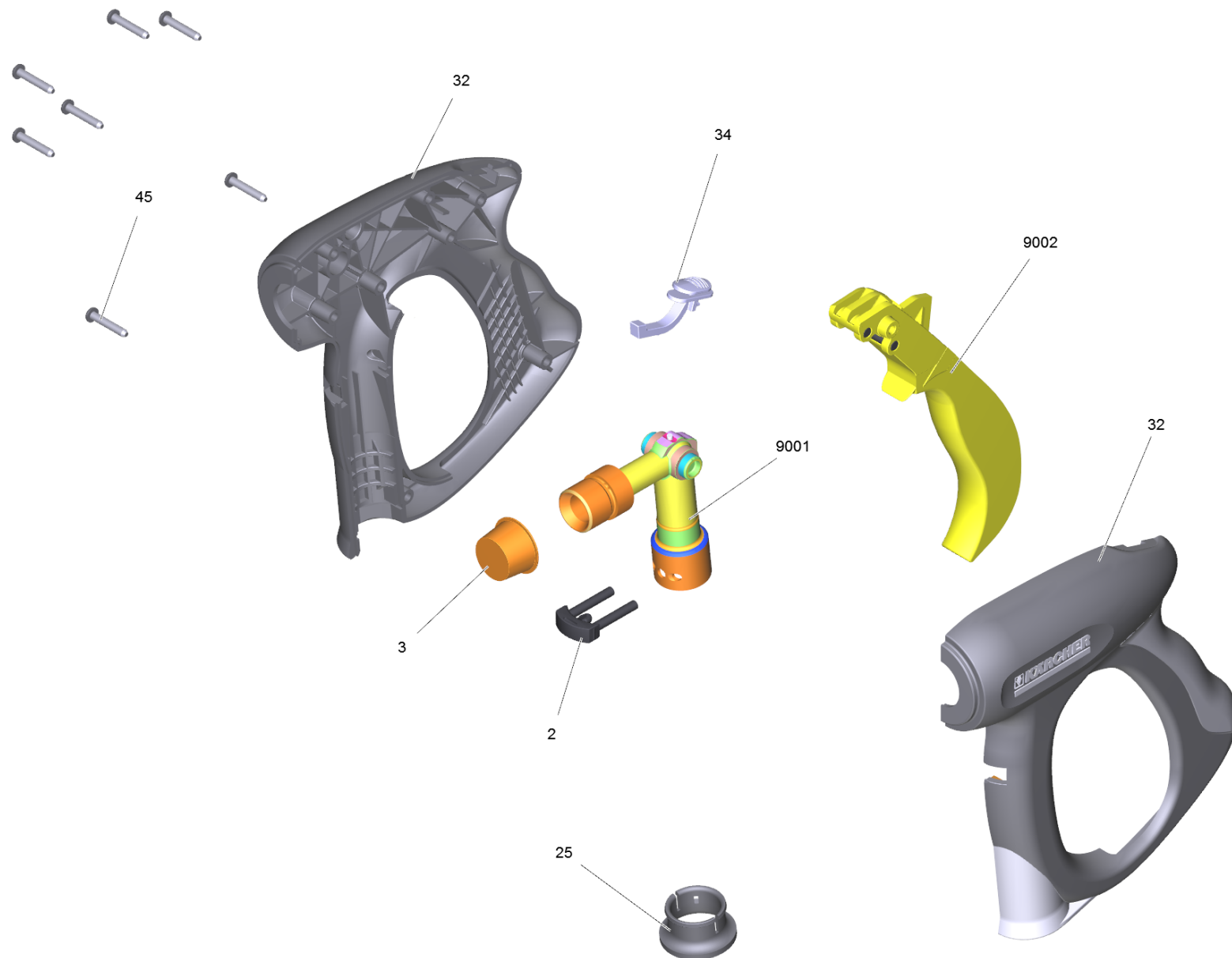
41 EASY!Force Advanced (4.118-005.0)

POS	Article no.	Description	Quantity	Unit
7	5.132-001.0	Plug	1	ST
8	5.321-136.3	Handhold few EH 155 only for replacement	1	ST
22	7.303-096.0	Screw 4x22 -ST-10.9-R2R (IN6RD)	7	ST
9000	2.885-483.0	Spare part set lever	1	ST
9001	4.427-014.0	Manifold TR EH 155 nur fuer Ersatz	1	ST



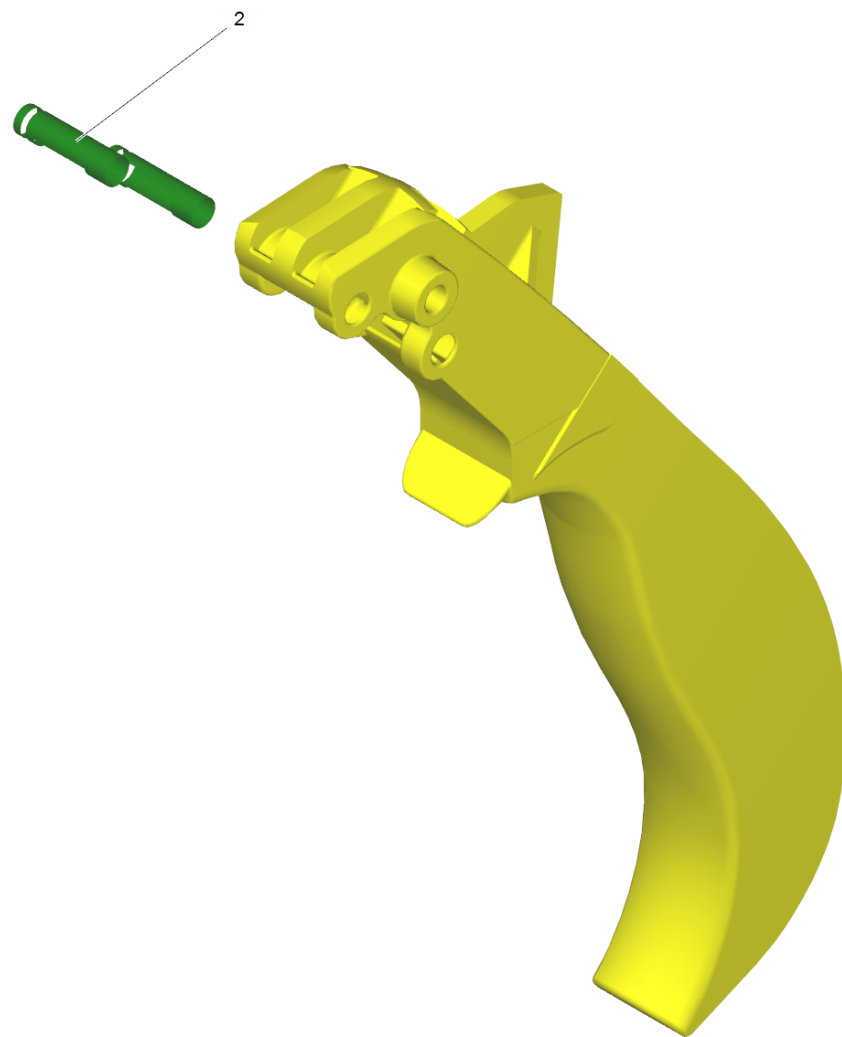
9000 Spare part set lever (2.885-483.0)

POS	Article no.	Description	Quantity	Unit
4	5.332-178.0	Helical spring	2	ST



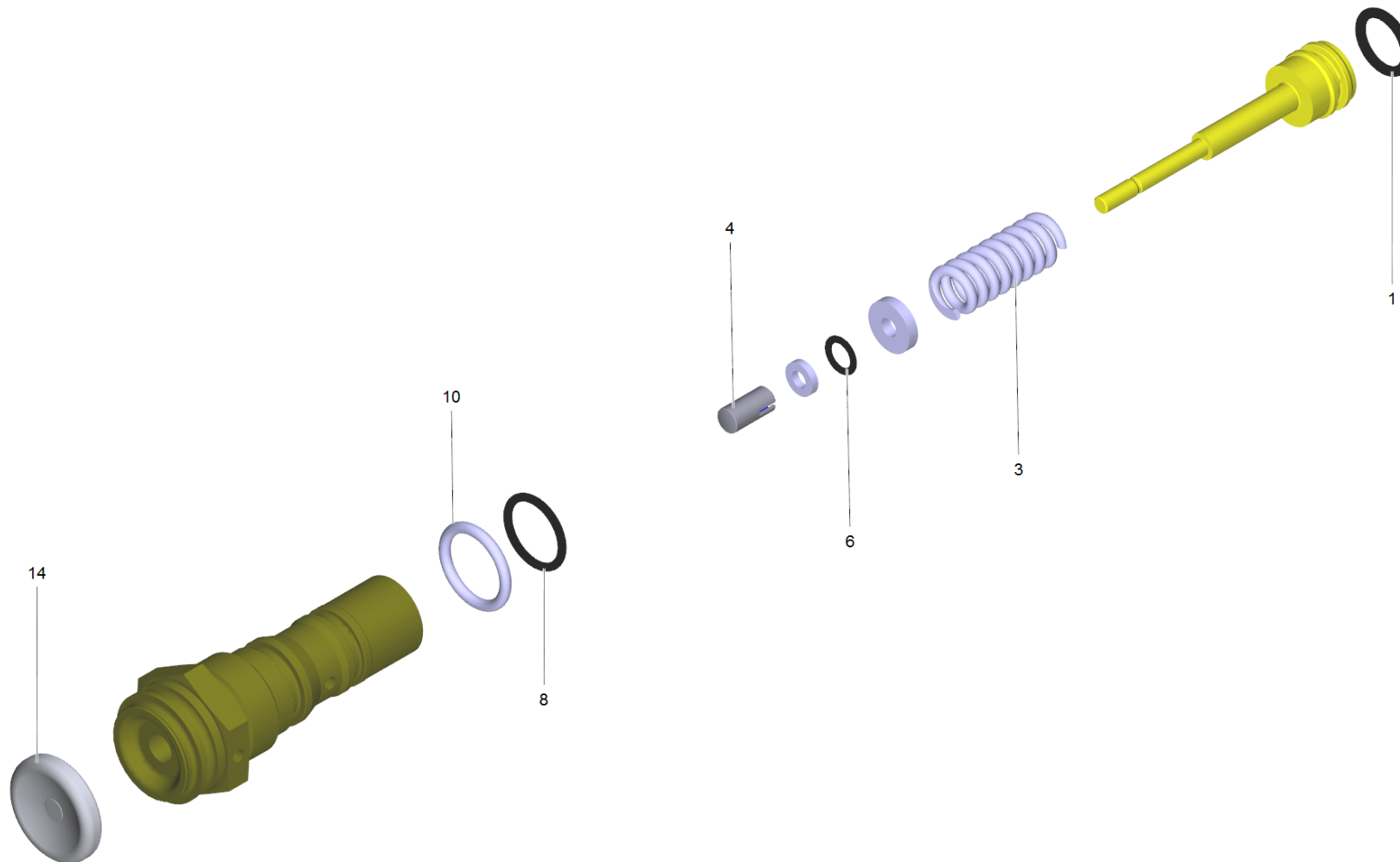
41 HAND TRIGGER GUN EASY PRESS (4.775-463.0)

POS	Article no.	Description	Quantity	Unit
2	4.037-013.0	Hook	1	ST
3	6.368-012.0	Protecting cap 22X1,5	1	ST
4	6.869-075.0	Metal bonding agent 1,5 ml	1	ST
cart_info_txt: This material is not available due to hazardous good regulation. Please procure this or a similar material from a local supplier of your choice.				
25	5.110-596.0	Sleeve	1	ST
32	5.321-669.3	Handhold few	1	ST
34	5.481-331.0	Slider	1	ST
45	7.303-096.0	Screw 4x22 -ST-10.9-R2R (IN6RD)	7	ST
1041	6.288-044.0	Silicon grease 100 G	1	ST
9001	4.427-215.0	Manifold complete only for replacement	1	ST
9002	4.481-209.0	Lever complete	1	ST



9002 Lever complete (4.481-209.0)

POS	Article no.	Description	Quantity	Unit
2	5.314-119.0	Pin	2	ST

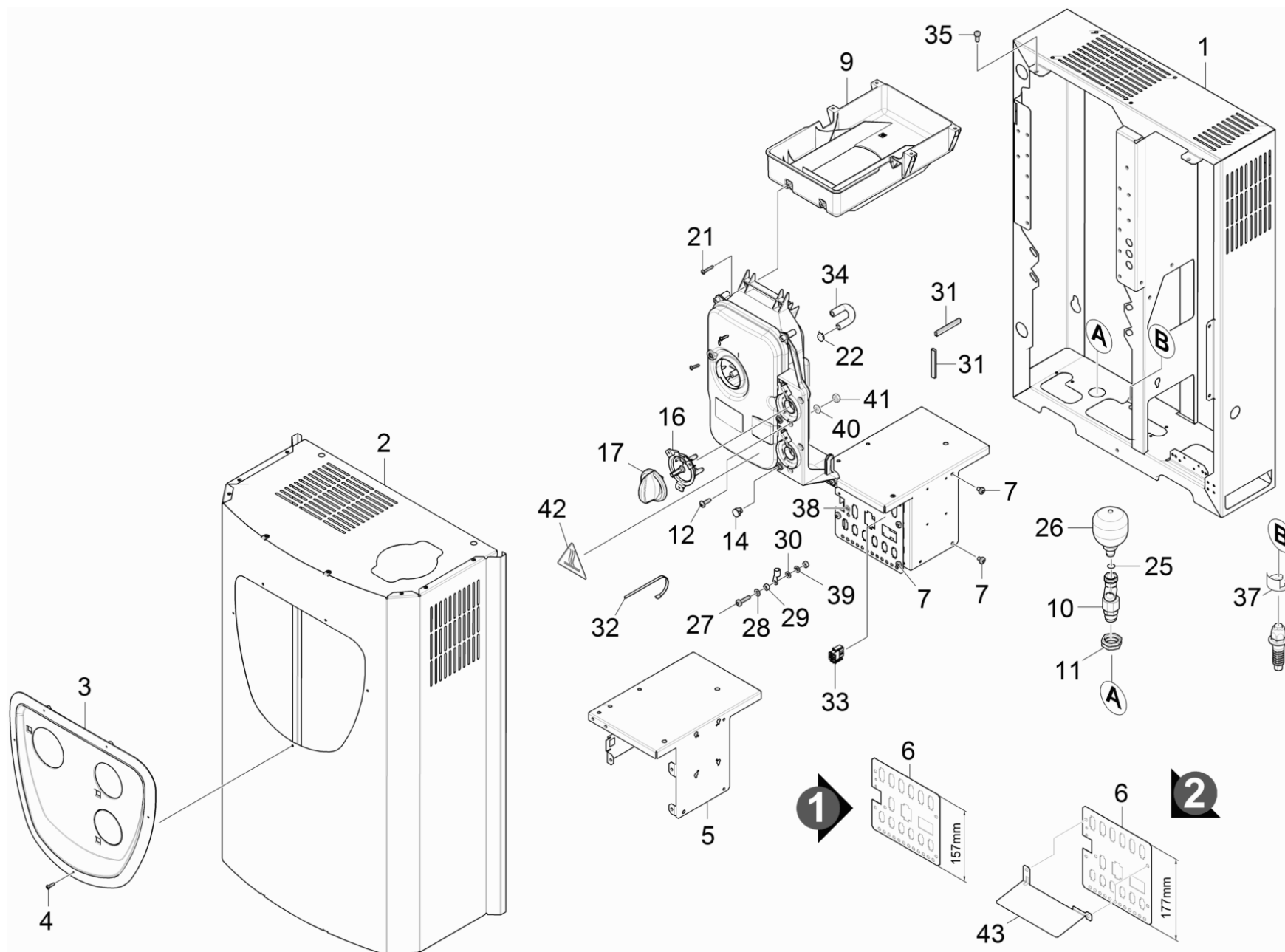


100 Spare part set control piston (2.885-226.0)

POS	Article no.	Description	Quantity	Unit
1	6.363-350.0	O-Ring seal 8.74x1.78	1	ST
3	5.332-511.0	Helical spring	1	ST
4	5.110-947.0	Sleeve	1	ST
6	6.363-330.0	O-Ring seal 2,9 x 1,78	1	ST
8	6.363-452.0	O-Ring seal 11 x 1,5	1	ST
10	6.363-519.0	O-Ring seal 12,00x 2,00	1	ST
14	5.367-030.0	Diaphragm	1	ST

200 Housing complete stainless steel

POS	Article no.	Description	Quantity	Unit
50	2.209-770.3	Spare parts list housing stainless steel	1	ST



50 Spare parts list housing stainless steel (2.209-770.3)

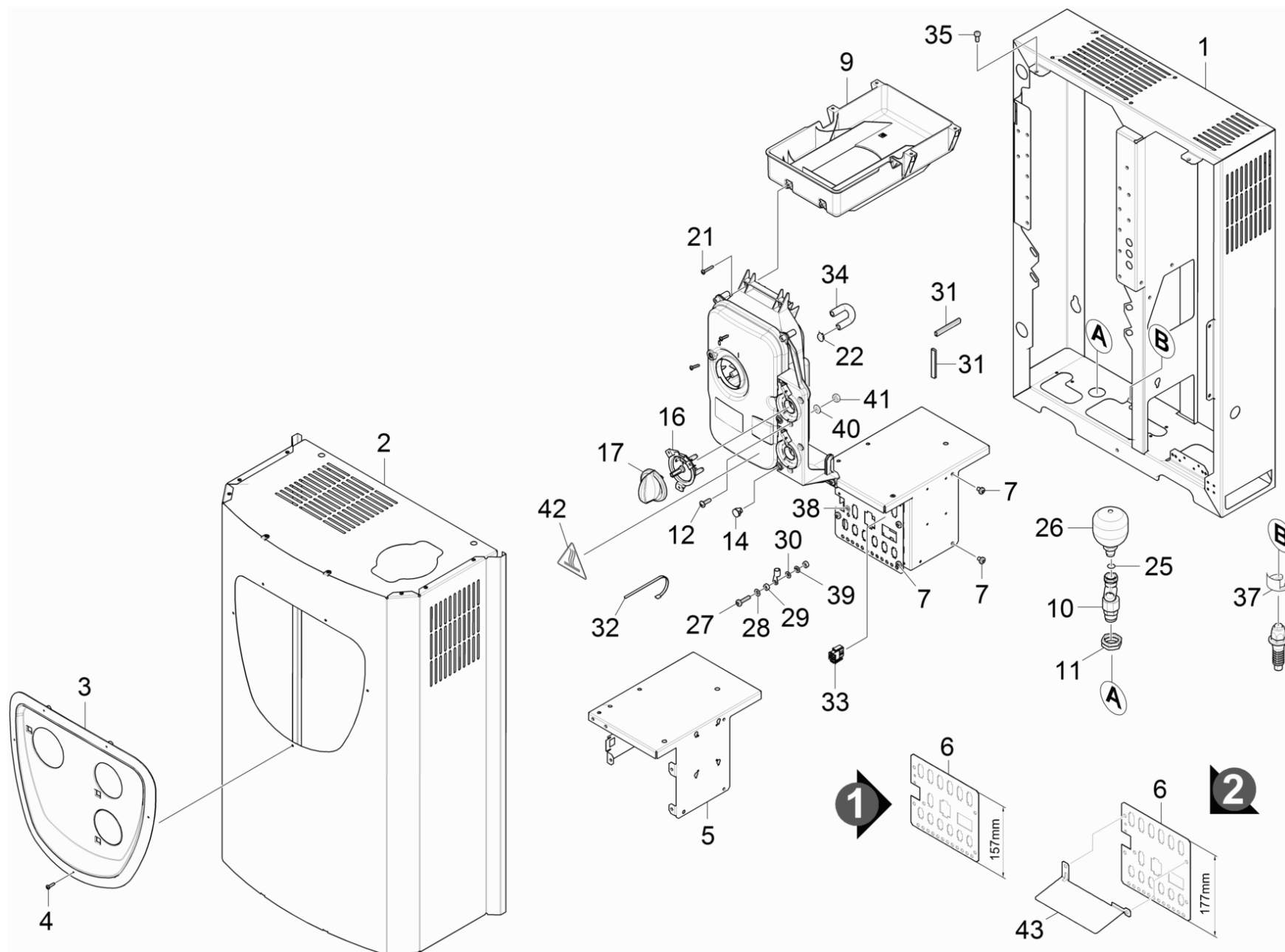
POS	Article no.	Description	Quantity	Unit	Remark	Foot note text
1	4.051-134.0	Frame complete stainless steel	1	ST		
2	4.067-066.0	Cover complete stainless steel	1	ST		
3	5.841-519.0	Control panel cover	1	ST		
4	7.303-117.0	Screw 4x20 -A2-70 (In6Rd)	5	ST		
5	5.010-990.0	Plate float	1	ST		
6	5.010-991.0	Plate plug	1	ST		VERSION 1
6	5.012-239.0	Plate plug	1	ST		VERSION 2
7	7.306-190.0	Screw M6x8 -A2-70 (In6Rd)	10	ST		
9	5.692-121.0	Air circulation	1	ST		
10	5.427-021.0	Manifold outlet high-pressure	1	ST	TR	VERSION 2
10	5.427-305.0	Manifold	1	ST	M22x1,5	VERSION 1
11	5.311-165.0	Hexagon nut M30x1,5	2	ST		
12	7.306-098.0	Cylinder head screw M 4X16-8.8-A2E DIN	2	ST		
14	6.651-316.0	Lens housing red	2	ST		
16	4.063-884.0	Proportioning valve chemistry	1	ST		
17	5.321-844.0	Handle	1	ST		
21	7.303-084.0	Screw 4x25 -10.9-R2R (K-In6Rd)	2	ST		
22	6.388-560.0	Hose clip	2	ST		
25	6.362-176.0	O-Ring seal 6,07x1,78	1	ST		
26	6.505-054.0	Pressure accumulator	1	ST	ST-H	
26	6.505-054.0	Pressure accumulator	1	ST	ST	
27	7.306-195.0	Screw M 6x25-A2-70 (IN6RD)	2	ST		
28	6.600-117.0	Contact disk 6mm	2	ST		
29	7.311-067.0	Hexagon nut M 6-A2-70 ISO 4032	4	ST		
30	7.312-026.0	Washer 6 -A2 ISO 7089	2	ST		
31	6.368-089.0	Edge protection	1	M		TO ORDER AS CUT GOODS
32	6.641-464.0	Cable tie	2	ST		
33	6.649-887.0	Plug triple dummy plug	1	ST		
34	6.388-194.0	Hose DN 7	0,1	M		
35	7.306-030.0	Screw M 6x14-A2-70 DIN 7984	2	ST		
37	6.343-186.0	Locking ring	1	ST		
38	6.643-145.0	Label earthing	2	ST		

50 Spare parts list housing stainless steel (2.209-770.3)

POS	Article no.	Description	Quantity	Unit	Remark	Foot note text
39	7.313-003.0	Spring washer B 6-FSt-A3E DIN 127	2	ST		
40	7.312-001.0	Washer 4 -200HV-A3E ISO 7089	4	ST		
41	7.311-001.0	Hexagon nut M4 -6-A2E ISO 4032	2	ST		
42	6.643-943.0	Warning sign hot	1	ST		
43	5.012-243.0	Plate splash guard	1	ST		VERSION 2

210 Housing complete

POS	Article no.	Description	Quantity	Unit
50	2.209-769.3	Spare parts list housing complete	1	ST



50 Spare parts list housing complete (2.209-769.3)

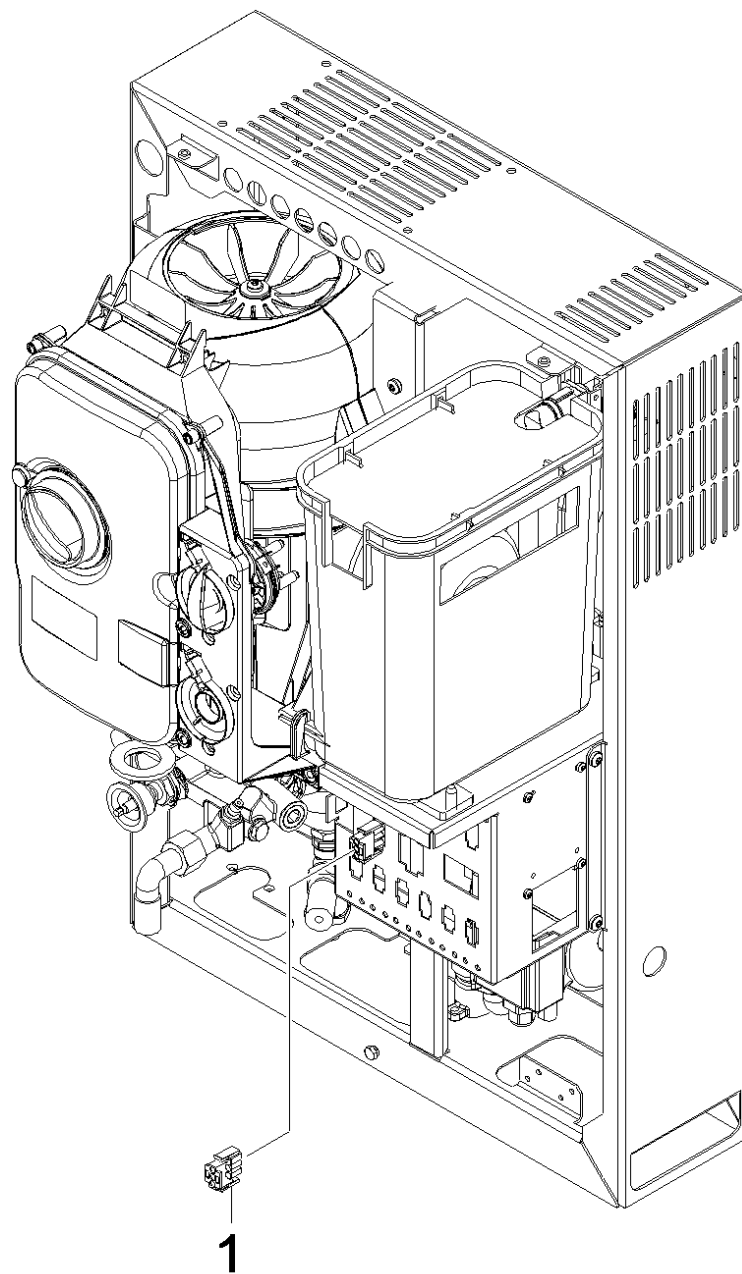
POS	Article no.	Description	Quantity	Unit	Remark	Foot note text
1	4.051-282.0	Frame complete basalt grey	1	ST		
2	4.067-070.0	Cover complete basalt grey	1	ST		
3	5.841-519.0	Control panel cover	1	ST		
4	7.303-117.0	Screw 4x20 -A2-70 (In6Rd)	5	ST		
5	5.012-324.0	Plate float basalt grey	1	ST		
6	5.012-242.0	Plate plug basalt grey	1	ST		VERSION 2
6	5.012-325.0	Plate plug basalt grey	1	ST		VERSION 1
7	7.306-087.0	Screw M6x10 -8.8-R3R (In6Rd)	10	ST		
9	5.692-121.0	Air circulation	1	ST		
10	5.427-021.0	Manifold outlet high-pressure	1	ST	TR	VERSION 2
10	5.427-305.0	Manifold	1	ST	M22x1,5	VERSION 1
11	5.311-165.0	Hexagon nut M30x1,5	2	ST		
12	7.306-098.0	Cylinder head screw M 4X16-8.8-A2E DIN	2	ST		
14	6.651-316.0	Lens housing red	2	ST		
16	4.063-884.0	Proportioning valve chemistry	1	ST		
17	5.321-844.0	Handle	1	ST		
21	7.303-084.0	Screw 4x25 -10.9-R2R (K-In6Rd)	2	ST		
22	6.388-560.0	Hose clip	2	ST		
25	6.362-176.0	O-Ring seal 6,07x1,78	1	ST		
26	6.505-054.0	Pressure accumulator	1	ST	ST-H	
26	6.505-054.0	Pressure accumulator	1	ST	ST	
27	7.306-094.0	Screw M6x25 -8.8-R3R (In6Rd)	2	ST		
28	6.600-117.0	Contact disk 6mm	2	ST		
29	7.311-003.0	Hexagon nut M6 -8-A2E ISO 4032	4	ST		
30	7.312-003.0	Washer 6 -200HV-A3E ISO 7089	2	ST		
31	6.368-089.0	Edge protection	1	M		TO ORDER AS CUT GOODS
32	6.641-464.0	Cable tie	2	ST		
33	6.649-887.0	Plug triple dummy plug	1	ST		
34	6.388-194.0	Hose DN 7	0,1	M		
35	7.306-030.0	Screw M 6x14-A2-70 DIN 7984	2	ST		
37	6.343-186.0	Locking ring	1	ST		
38	6.643-145.0	Label earthing	2	ST		

50 Spare parts list housing complete (2.209-769.3)

POS	Article no.	Description	Quantity	Unit	Remark	Foot note text
39	7.313-003.0	Spring washer B 6-FSt-A3E DIN 127	2	ST		
40	7.312-001.0	Washer 4 -200HV-A3E ISO 7089	4	ST		
41	7.311-001.0	Hexagon nut M4 -6-A2E ISO 4032	2	ST		
42	6.643-943.0	Warning sign hot	1	ST		
43	5.012-245.0	Plate splash guard basalt grey	1	ST		VERSION 2

300 Parts without pressure discharge

POS	Article no.	Description	Quantity	Unit
10	2.209-772.3	Spare parts list without pressure discharge	1	ST

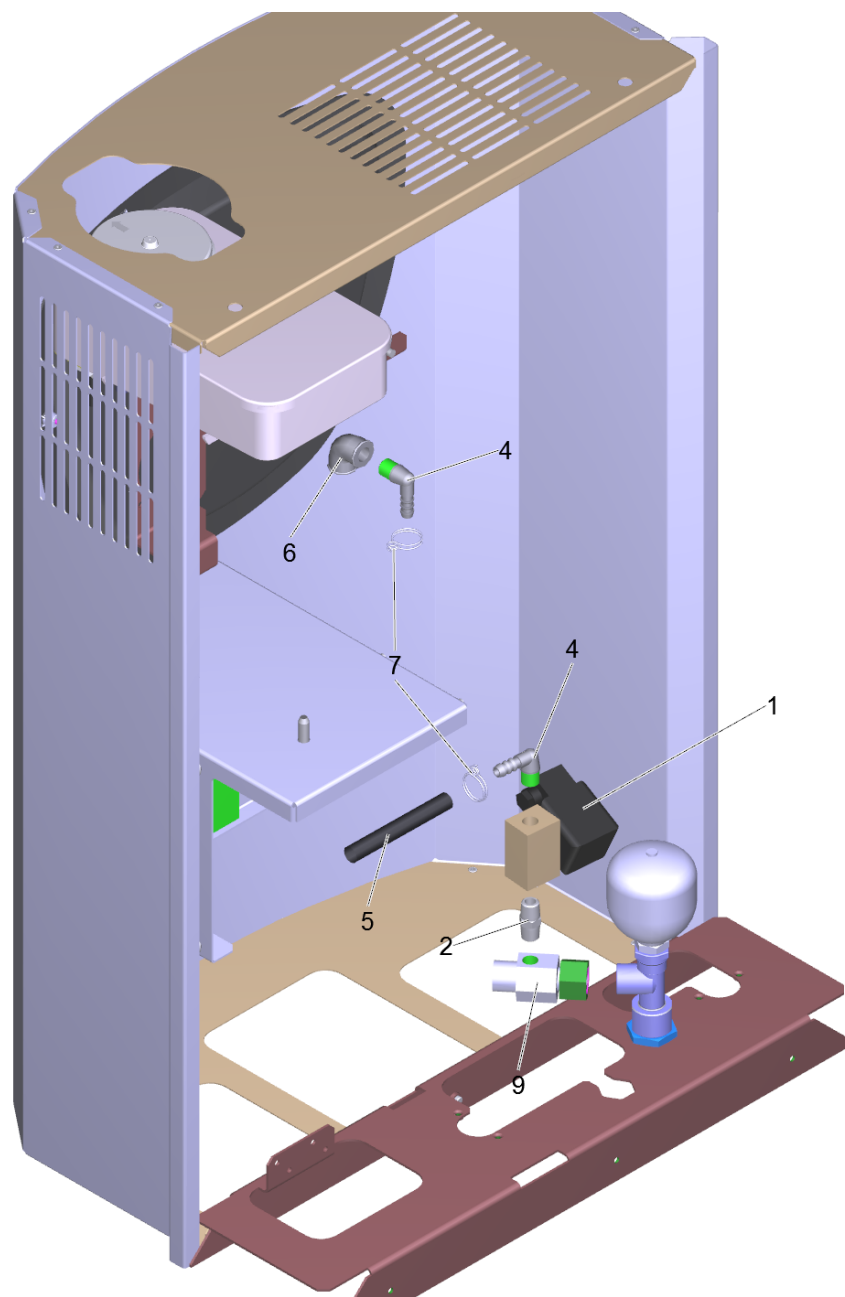


10 Spare parts list without pressure discharge (2.209-772.3)

POS	Article no.	Description	Quantity	Unit
1	6.649-887.0	Plug triple dummy plug	1	ST

310 Parts pressure discharge

POS	Article no.	Description	Quantity	Unit
30	2.209-773.3	Spare parts list parts pressure discharge	1	ST

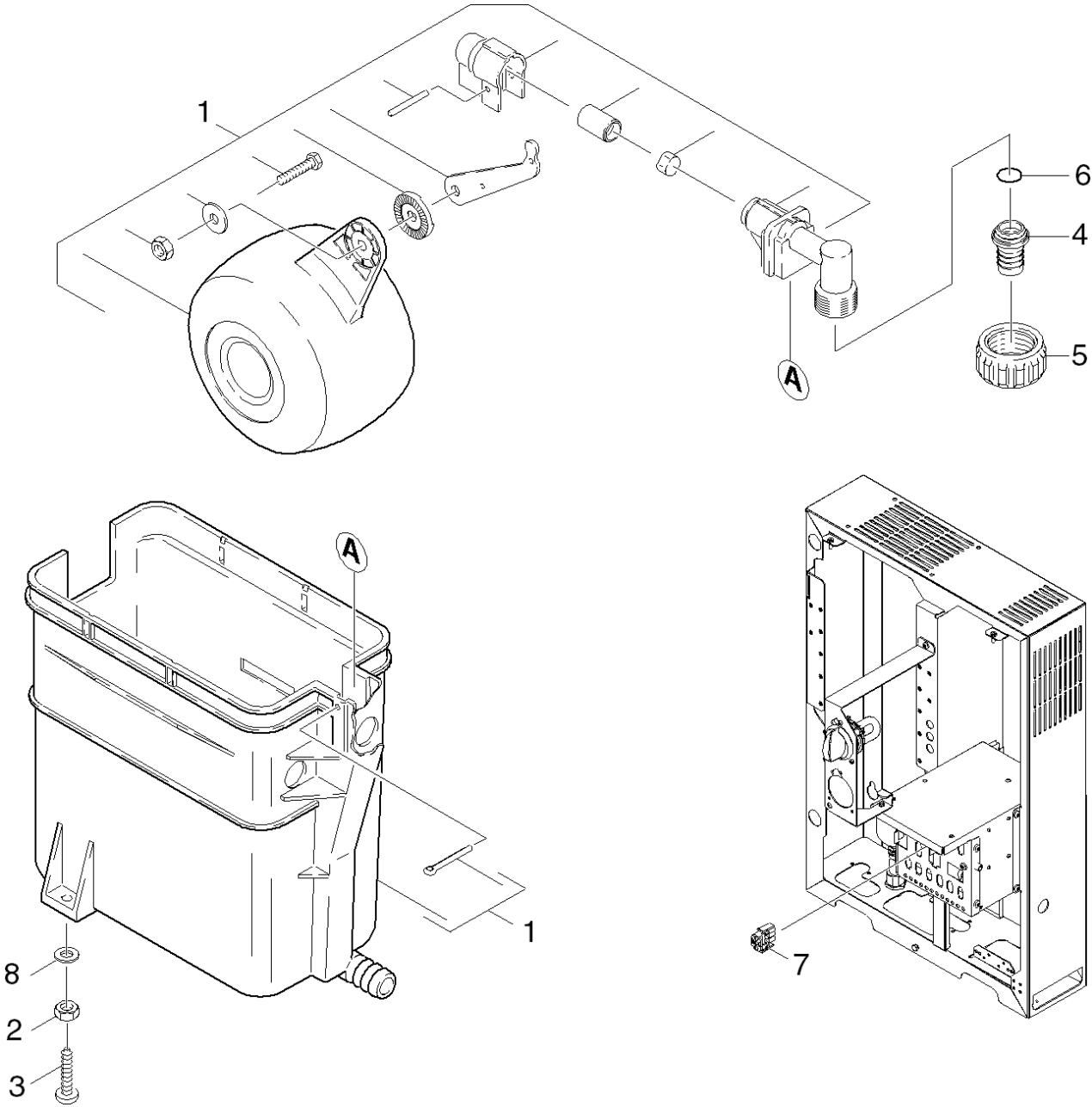


30 Spare parts list parts pressure discharge (2.209-773.3)

POS	Article no.	Description	Quantity	Unit	Foot note text
1	6.685-864.0	HIGH PRESSURE VALVE	1	ST	
2	7.387-350.0	Double nipple 1/4"-1.4541 EN10241	1	ST	
4	6.388-423.0	Angle bushing 1/4"	2	ST	
5	6.388-194.0	Hose DN 7	1	M	TO ORDER AS CUT GOODS
6	6.387-862.0	Angle A1-1/4"-RG5	1	ST	
7	6.388-560.0	Hose clip	2	ST	
9	4.645-374.0	Double nipple complete	1	ST	
13	6.641-463.0	Cable tape	1	ST	

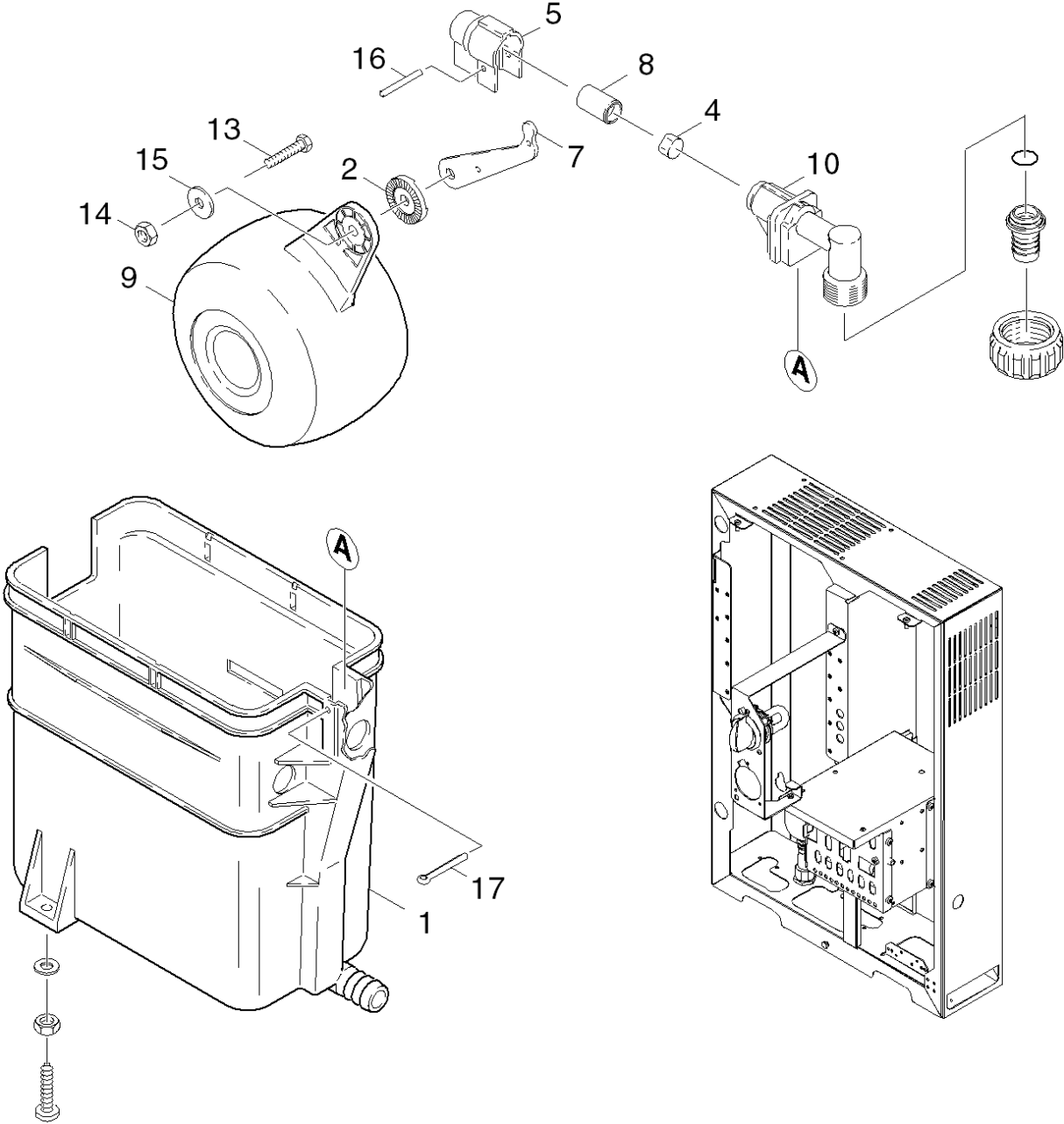
320 Float tank

POS	Article no.	Description	Quantity	Unit
31	2.209-775.3	Spare parts list float tank	1	ST



31 Spare parts list float tank (2.209-775.3)

POS	Article no.	Description	Quantity	Unit
1	4.593-026.0	Float tank	1	ST
2	7.311-006.0	Hexagon nut M10 -8-A3E ISO 4032	2	ST
3	6.303-315.0	Screw 8 x 35	2	ST
4	5.443-224.0	Hose stem	1	ZST
5	5.310-061.0	Nut R 3/4"	1	ST
6	6.362-078.0	O-Ring seal 13,3x2,4	1	ST
7	6.649-888.0	Plug brigde X6	1	ST
8	5.115-971.0	Washer	2	ST



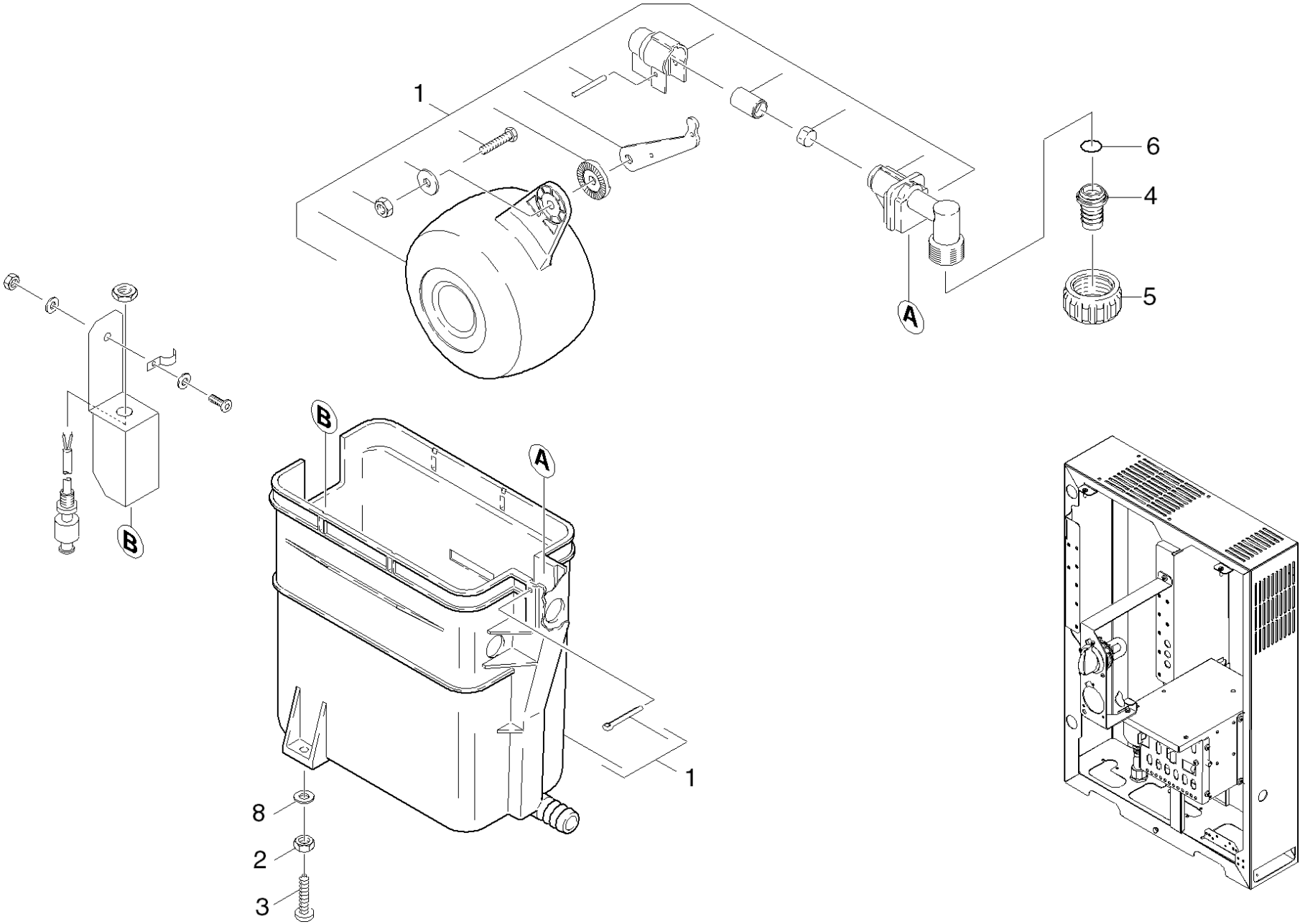
1 Float tank (4.593-026.0)

POS	Article no.	Description	Quantity	Unit	Remark
1	5.070-583.0	Tank	1	ST	
2	5.115-158.0	Washer	1	ST	
4	5.364-095.0	Flat gasket	1	ST	ST-H
4	5.364-095.0	Flat gasket	1	ST	ST
5	5.394-066.0	Protection part	1	ST	
7	5.481-029.0	Lever	1	ST	
8	5.584-026.0	Valve pin	1	ST	ST-H
8	5.584-026.0	Valve pin	1	ST	ST
9	5.585-024.0	Float	1	ST	
10	5.587-103.0	Valve housing	1	ST	ST-H
10	5.587-103.0	Valve housing	1	ST	ST
13	7.306-194.0	Screw M6x20 -A2-70 (In6Rd) ISO 14583	1	ST	
14	7.311-422.0	Hexagon nut M 6-1.4305 ISO 10511	1	ST	
15	7.312-279.0	Washer 6-CuZn ISO 7093-1	1	ST	
16	7.316-004.0	Bolt A 3x25 -CuZn ISO 2340	1	ST	
17	7.316-432.0	Cotter 4x50 -St-A2E ISO 1234	1	ST	

330 Float tank

POS	Article no.	Description	Quantity	Unit
1	2.209-774.3	Spare parts list float tank	1	ST

1 Spare parts list float tank (2.209-774.3)



1 Spare parts list float tank (2.209-774.3)

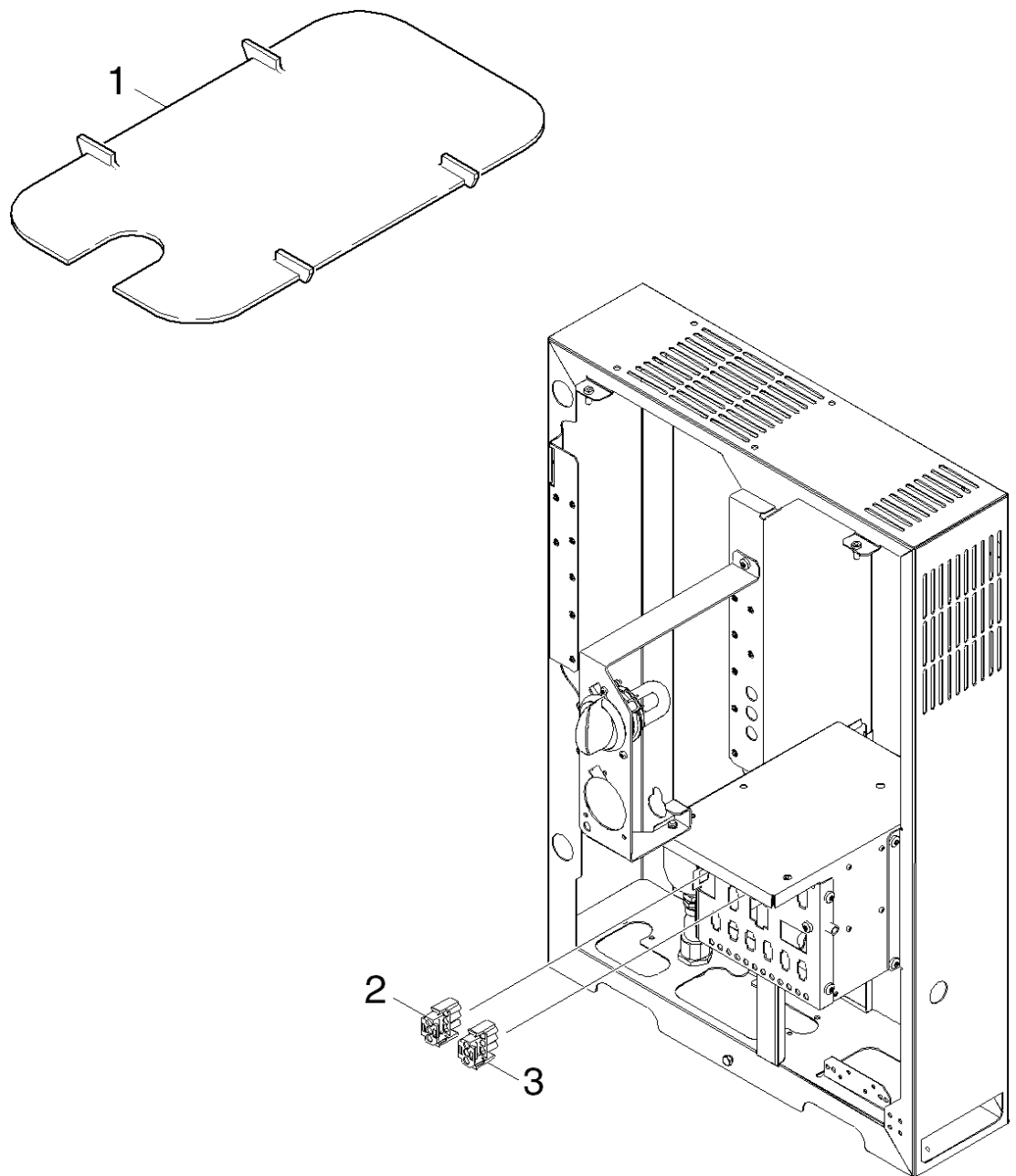
POS	Article no.	Description	Quantity	Unit
1	4.593-025.0	Float tank	1	ST
2	7.311-006.0	Hexagon nut M10 -8-A3E ISO 4032	2	ST
3	6.303-315.0	Screw 8 x 35	2	ST
4	5.443-224.0	Hose stem	1	ZST
5	5.310-061.0	Nut R 3/4"	1	ST
6	6.362-078.0	O-Ring seal 13,3x2,4	1	ST
8	5.115-971.0	Washer	2	ST

1 Float tank (4.593-025.0)

POS	Article no.	Description	Quantity	Unit	Remark
1	5.070-686.0	Float tank HD / HDS	1	ST	
2	5.115-158.0	Washer	1	ST	
4	5.364-095.0	Flat gasket	1	ST	ST-H
4	5.364-095.0	Flat gasket	1	ST	ST
5	5.394-066.0	Protection part	1	ST	
7	5.481-029.0	Lever	1	ST	
8	5.584-026.0	Valve pin	1	ST	ST-H
8	5.584-026.0	Valve pin	1	ST	ST
9	5.585-024.0	Float	1	ST	
10	5.587-103.0	Valve housing	1	ST	ST
10	5.587-103.0	Valve housing	1	ST	ST-H
12	7.312-042.0	Washer 4 -CuZn-E2E ISO 7090	2	ST	
13	7.306-194.0	Screw M6x20 -A2-70 (In6Rd) ISO 14583	1	ST	
14	7.311-422.0	Hexagon nut M 6-1.4305 ISO 10511	1	ST	
15	7.312-279.0	Washer 6-CuZn ISO 7093-1	1	ST	
16	7.316-004.0	Bolt A 3x25 -CuZn ISO 2340	1	ST	
17	7.316-432.0	Cotter 4x50 -St-A2E ISO 1234	1	ST	
18	7.306-207.0	Screw M4x12 -A2-70 (In6Rd)	1	ST	
19	7.311-064.0	Hexagon nut M 4-A2-70 ISO 4032	1	ST	
20	5.050-962.0	Sheet metal component	1	ST	
21	4.070-832.0	Float regulator closing contact complete	1	ST	
23	7.373-060.0	Clamp 1-5- W5 DIN 72571	1	ST	

340 Parts without water softener

POS	Article no.	Description	Quantity	Unit
1	2.209-776.3	Spare parts list without water softener	1	ST



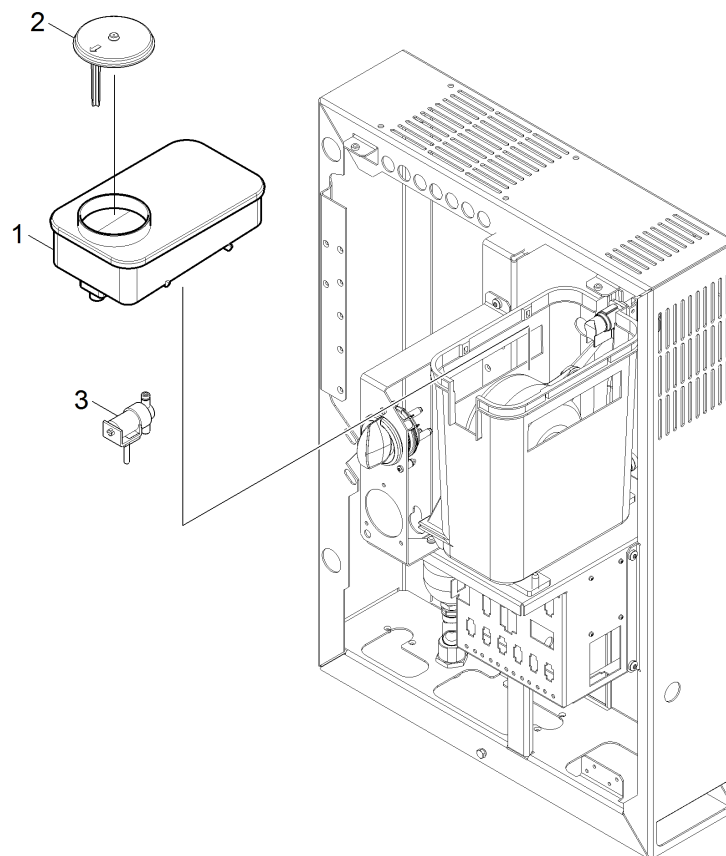
1 Spare parts list without water softener (2.209-776.3)

POS	Article no.	Description	Quantity	Unit
1	5.063-243.0	Cover	1	ST
2	6.649-889.0	Plug brigde X4	1	ST
3	6.649-887.0	Plug triple dummy plug	1	ST

POS	Description	Quantity	Unit
1	DGT	1	ST

1 DGT

POS	Article no.	Description	Quantity	Unit
1	2.209-777.3	Spare parts list DGT	1	ST



1 Spare parts list DGT (2.209-777.3)

POS	Article no.	Description	Quantity	Unit
1	4.070-750.0	Tank	1	ST
2	5.063-226.0	Cover	1	ST
3	4.070-831.0	Solenoid valve complete	1	ST

360 Hour counter (2.209-778.0)

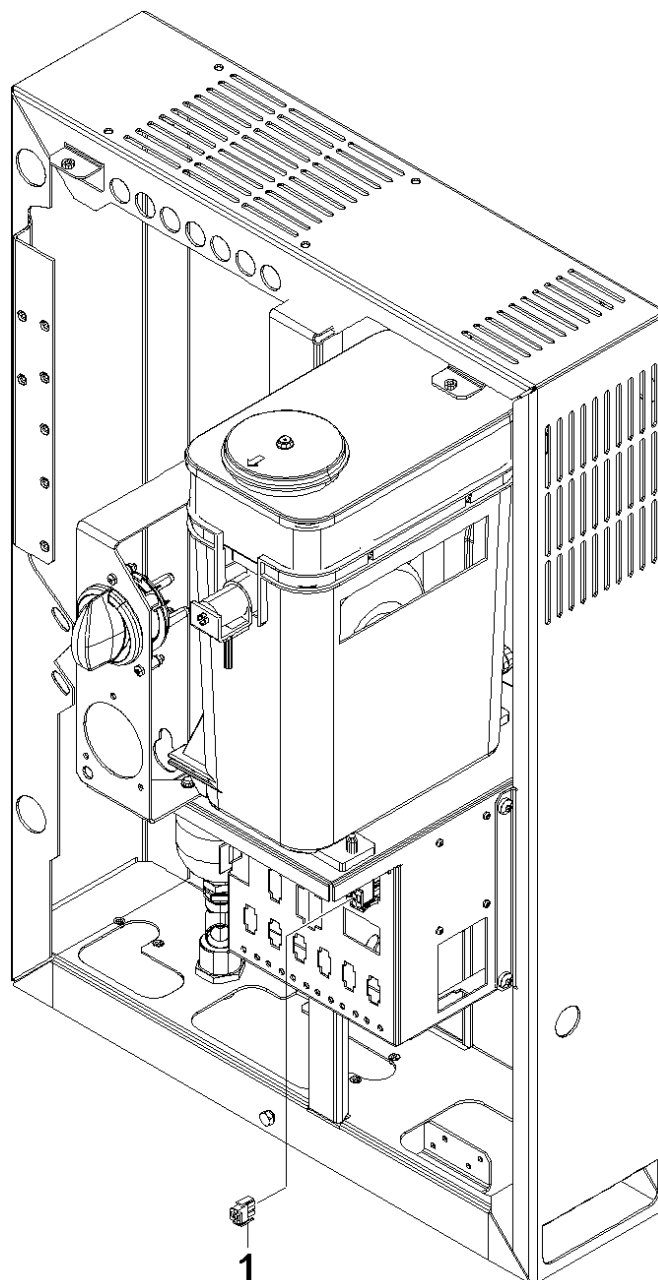
POS	Article no.	Description	Quantity	Unit
1	2.209-778.3	Spare parts list hour counter	1	ST

1 Spare parts list hour counter (2.209-778.3)

POS	Description	Quantity	Unit
1	Hour counter complete	1	ST

361 Parts without hour counter

POS	Article no.	Description	Quantity	Unit
10	2.209-789.3	Spare parts list without hour counter	1	ST

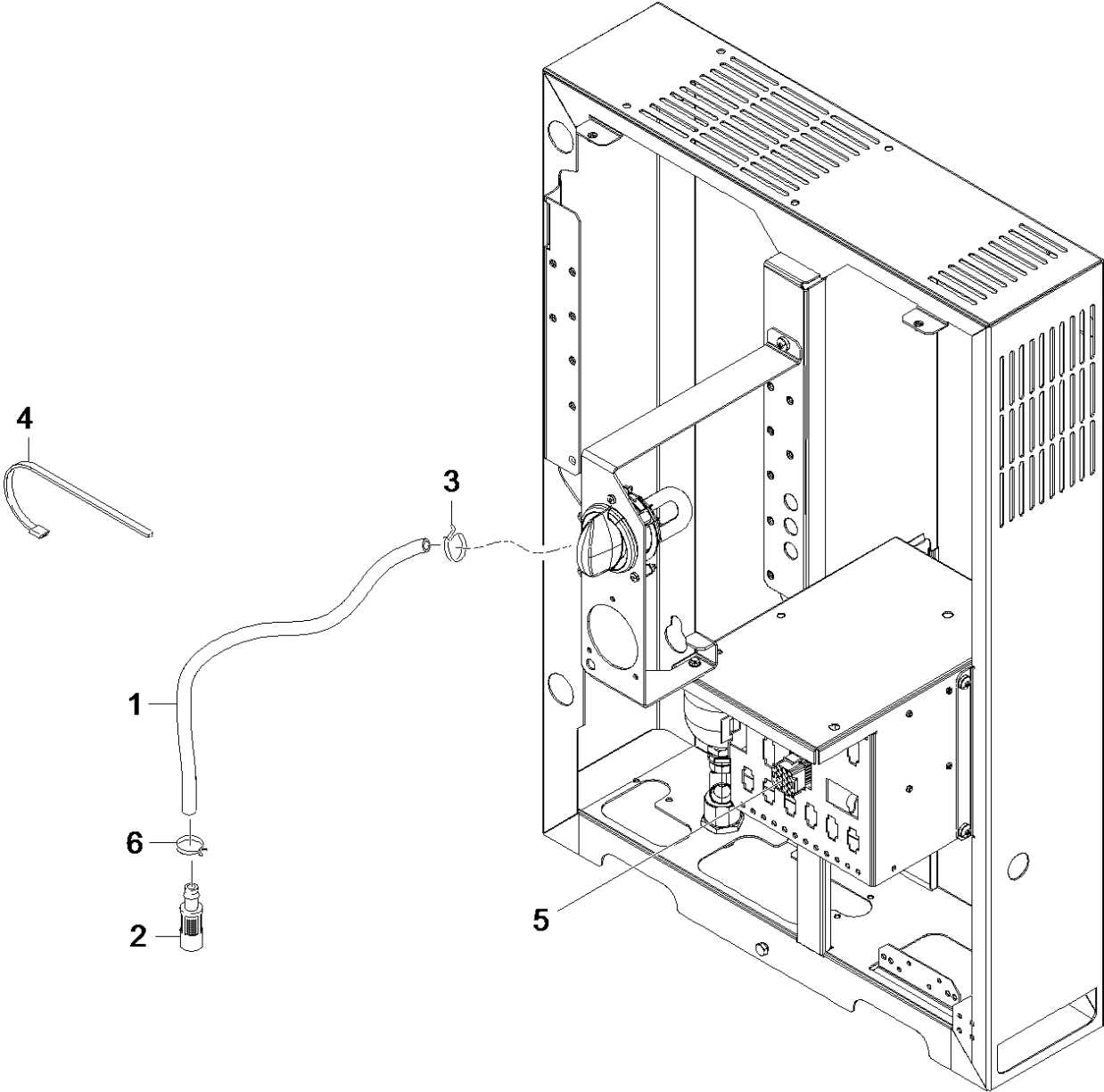


10 Spare parts list without hour counter (2.209-789.3)

POS	Article no.	Description	Quantity	Unit
1	6.649-887.0	Plug triple dummy plug	1	ST

370 Parts without remote control

POS	Article no.	Description	Quantity	Unit
10	2.209-781.3	Spare parts list without remote control	1	ST



10 Spare parts list without remote control (2.209-781.3)

POS	Article no.	Description	Quantity	Unit	Foot note text
1	6.388-194.0	Hose DN 7	2	M	TO ORDER AS CUT GOODS
2	5.731-652.0	Filter with weight	1	ST	
3	6.388-560.0	Hose clip	1	ST	
4	6.641-464.0	Cable tie	1	ST	
5	6.649-890.0	Plug brigde twelve-pole	1	ST	
6	6.389-768.0	Hose clip	1	ST	

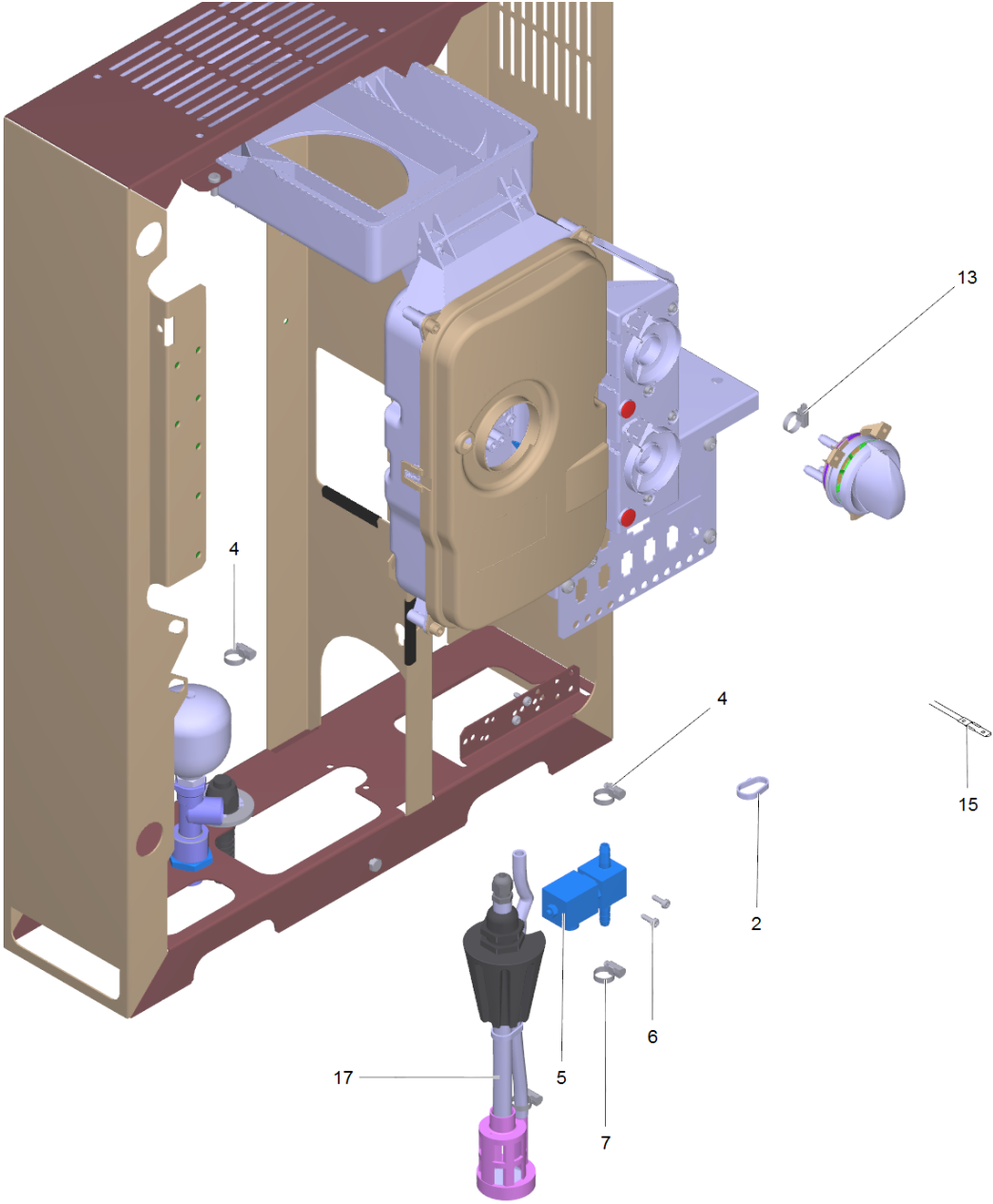
400 Add-on kit cleaning agents single (2.209-779.0)

POS	Article no.	Description	Quantity	Unit
1	2.209-779.3	Spare parts list add-on kit cleaning age	1	ST

1 Spare parts list add-on kit cleaning age (2.209-779.3)

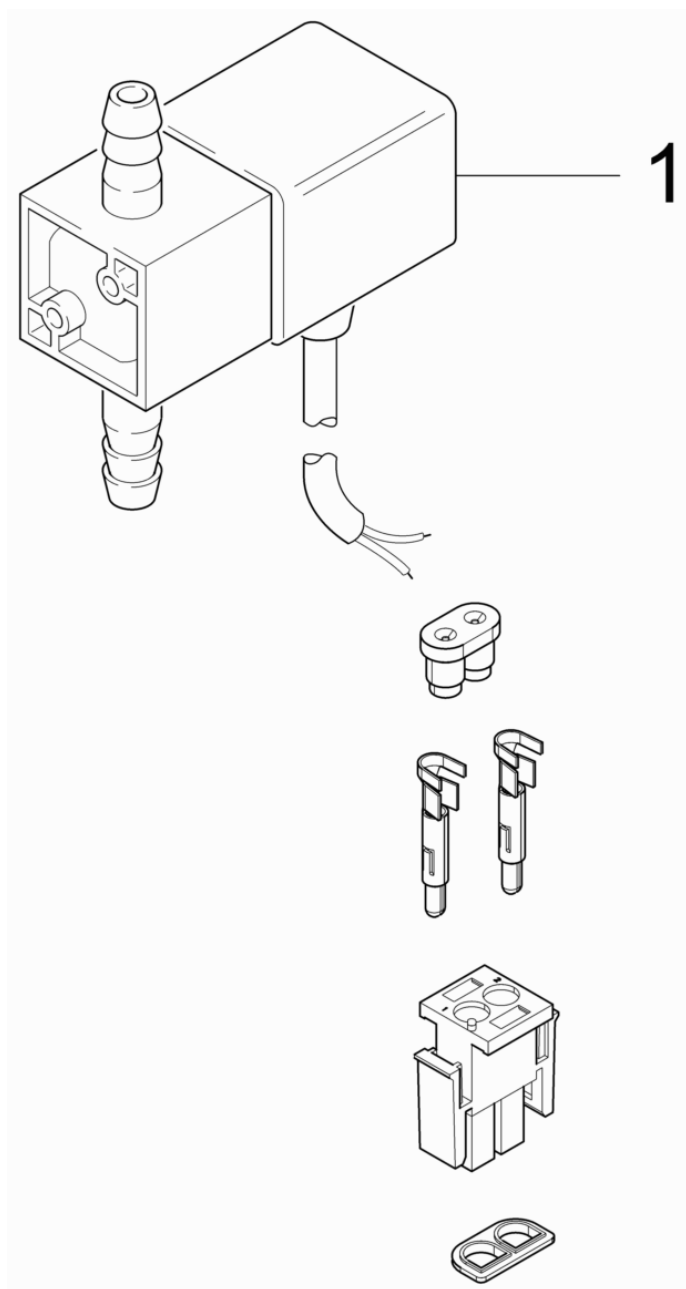
POS	Description	Quantity	Unit
1	Add-on kit cleaning agents single	1	ST

1 Add-on kit cleaning agents single



1 Add-on kit cleaning agents single

POS	Article no.	Description	Quantity	Unit
2	6.641-463.0	Cable tape	4	ST
4	6.390-133.0	Hose clip	2	ST
5	4.070-830.0	Solenoid valve complete	1	ST
6	7.303-106.0	Screw 4x12 -10.9-R2R (IN6RD)	2	ST
7	6.388-560.0	Hose clip	1	ST
8	6.388-247.0	Hose DN8 -PVC	1,34	M
13	7.373-019.0	Hose clip A 10-16x9-W4 DIN3017	2	ST
15	4.070-833.0	Pilot lamp complete	1	ST
17	4.747-101.0	Level probe	1	ST



5 Solenoid valve complete (4.070-830.0)

POS	Article no.	Description	Quantity	Unit
1	6.685-195.0	Solenoid valve DN 4	1	ST

15 Pilot lamp complete (4.070-833.0)

POS	Article no.	Description	Quantity	Unit
1	6.651-367.0	Pilot lamp	1	ST

17 Level probe (4.747-101.0)

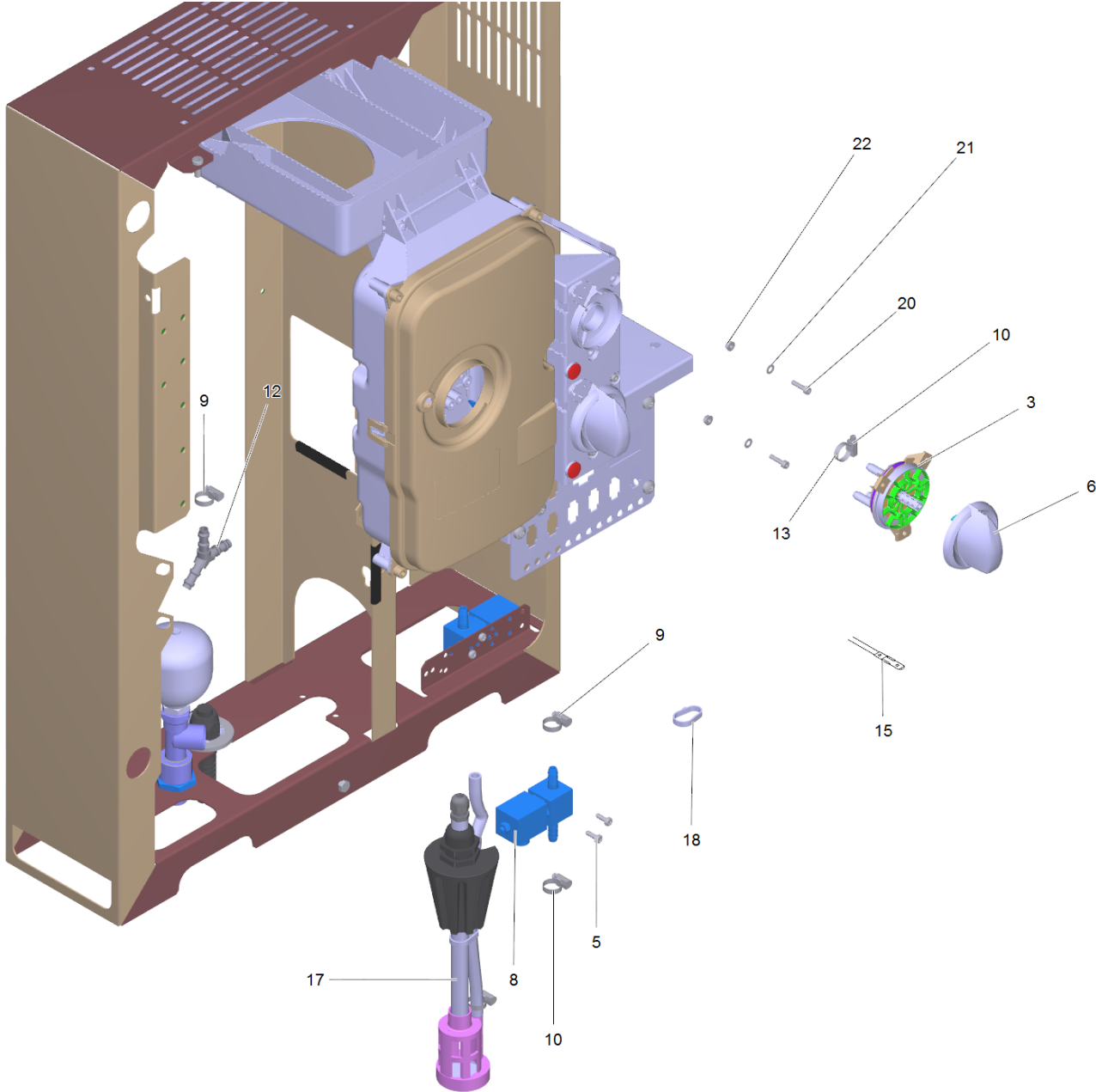
POS	Article no.	Description	Quantity	Unit
2	6.388-194.0	Hose DN 7	2,7	M
	Item text2: 47470470			
3	7.373-019.0	Hose clip A 10-16x9-W4 DIN3017	1	ST
	Item text2: 47470470			
5	6.642-042.0	Insulating hose	1,25	M
	Item text2: 47470470			
11	6.641-465.0	Cable tape	1	ST
12	6.648-401.0	Cable gland black M25X1,5	1	ST

410 Add-on kit cleaning agents double (2.209-780.0)

POS	Article no.	Description	Quantity	Unit
1	2.209-780.3	Spare parts list add-on kit cleaning age	1	ST

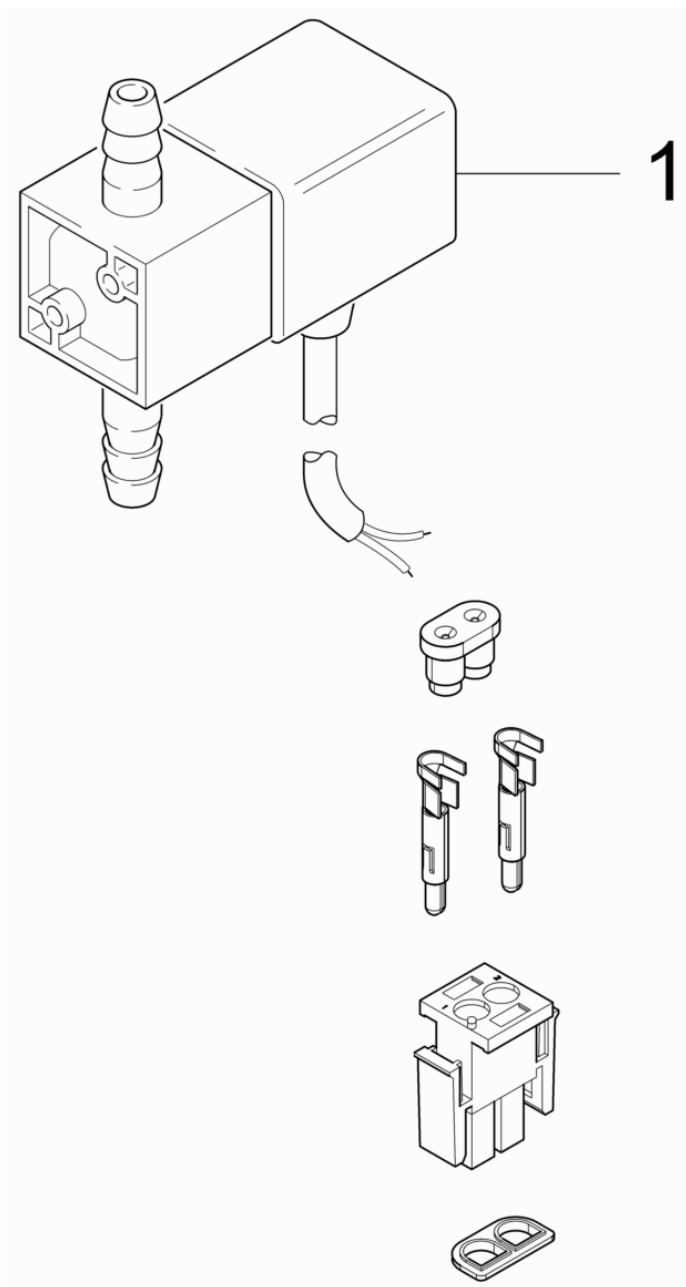
1 Spare parts list add-on kit cleaning age (2.209-780.3)

POS	Description	Quantity	Unit
1	Remote control prearrangement double RM	1	ST
2	Add-on kit cleaning agents single	1	ST



1 Remote control prearrangement double RM

POS	Article no.	Description	Quantity	Unit
3	4.063-884.0	Proportioning valve chemistry	1	ST
5	7.303-106.0	Screw 4x12 -10.9-R2R (IN6RD)	2	ST
6	5.321-844.0	Handle	1	ST
8	4.070-830.0	Solenoid valve complete	1	ST
9	6.390-133.0	Hose clip	4	ST
10	6.388-560.0	Hose clip	3	ST
11	6.388-247.0	Hose DN8 -PVC	1,25	M
12	6.388-761.0	Y-Bushing 8	1	ST
13	7.373-019.0	Hose clip A 10-16x9-W4 DIN3017	2	ST
15	4.070-833.0	Pilot lamp complete	1	ST
17	4.747-101.0	Level probe	1	ST
18	6.641-463.0	Cable tape	4	ST
19	6.388-194.0	Hose DN 7	0,1	M
20	7.306-098.0	Cylinder head screw M 4X16-8.8-A2E DIN	2	ST
21	7.312-001.0	Washer 4 -200HV-A3E ISO 7089	4	ST
22	7.311-001.0	Hexagon nut M4 -6-A2E ISO 4032	2	ST



8 Solenoid valve complete (4.070-830.0)

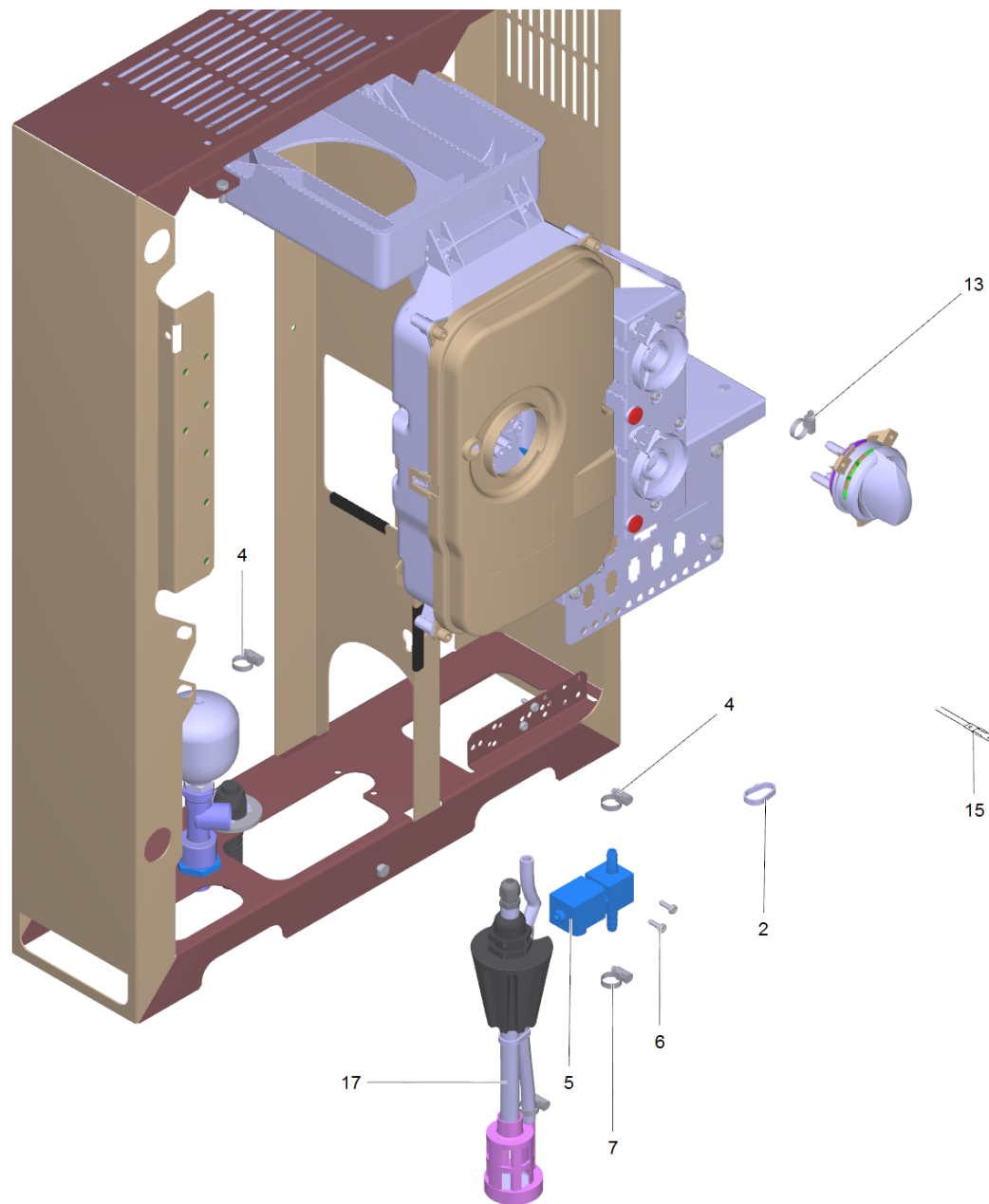
POS	Article no.	Description	Quantity	Unit
1	6.685-195.0	Solenoid valve DN 4	1	ST

15 Pilot lamp complete (4.070-833.0)

POS	Article no.	Description	Quantity	Unit
1	6.651-367.0	Pilot lamp	1	ST

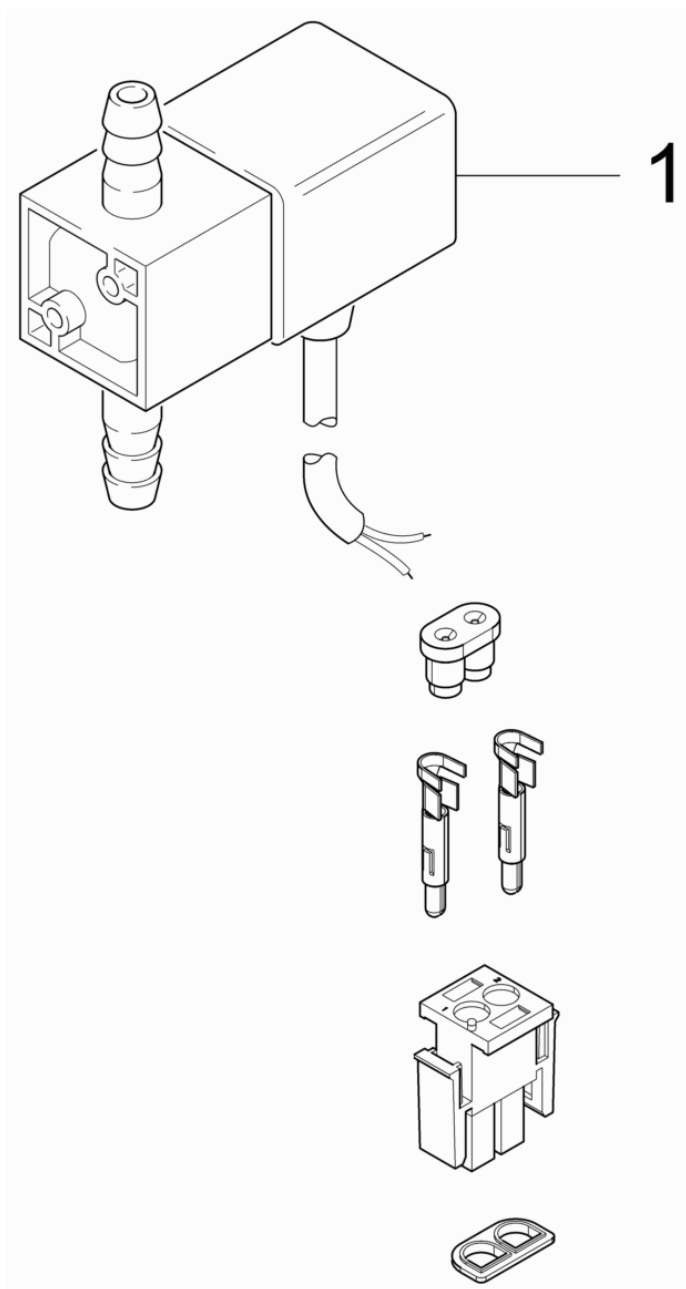
17 Level probe (4.747-101.0)

POS	Article no.	Description	Quantity	Unit
2	6.388-194.0	Hose DN 7	2,7	M
	Item text2: 47470470			
3	7.373-019.0	Hose clip A 10-16x9-W4 DIN3017	1	ST
	Item text2: 47470470			
5	6.642-042.0	Insulating hose	1,25	M
	Item text2: 47470470			
11	6.641-465.0	Cable tape	1	ST
12	6.648-401.0	Cable gland black M25X1,5	1	ST



2 Add-on kit cleaning agents single

POS	Article no.	Description	Quantity	Unit
2	6.641-463.0	Cable tape	4	ST
4	6.390-133.0	Hose clip	2	ST
5	4.070-830.0	Solenoid valve complete	1	ST
6	7.303-106.0	Screw 4x12 -10.9-R2R (IN6RD)	2	ST
7	6.388-560.0	Hose clip	1	ST
8	6.388-247.0	Hose DN8 -PVC	1,34	M
13	7.373-019.0	Hose clip A 10-16x9-W4 DIN3017	2	ST
15	4.070-833.0	Pilot lamp complete	1	ST
17	4.747-101.0	Level probe	1	ST



5 Solenoid valve complete (4.070-830.0)

POS	Article no.	Description	Quantity	Unit
1	6.685-195.0	Solenoid valve DN 4	1	ST

15 Pilot lamp complete (4.070-833.0)

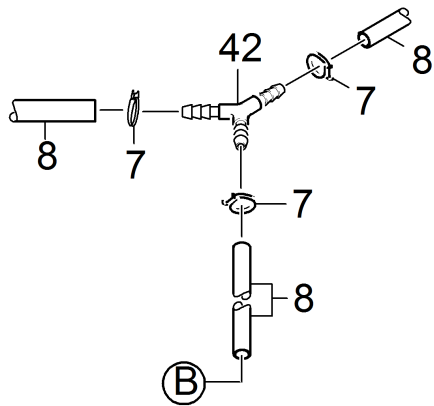
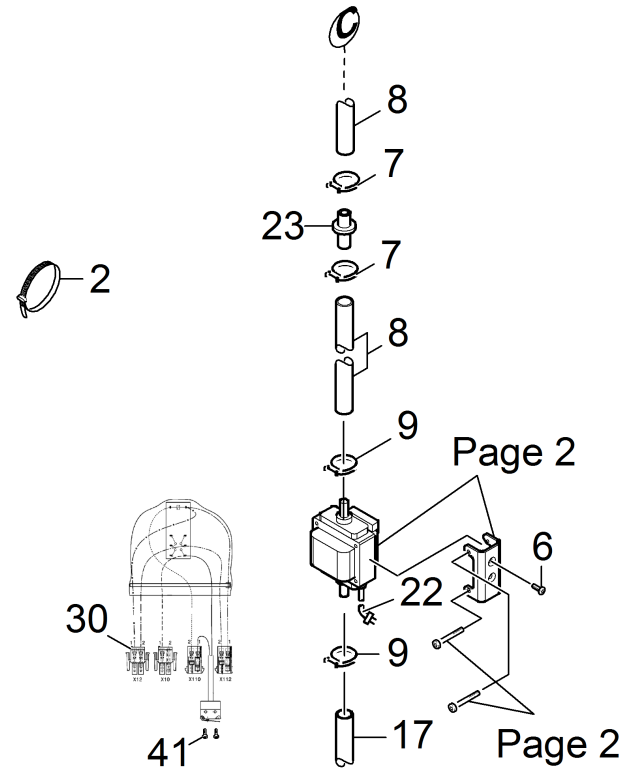
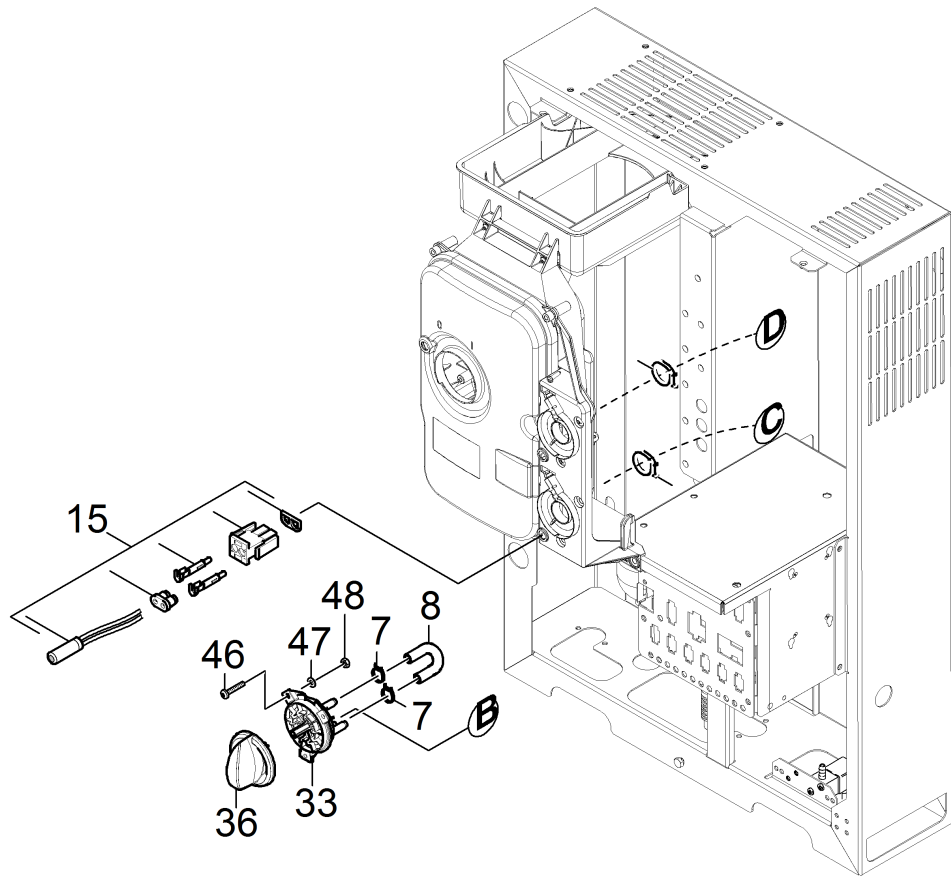
POS	Article no.	Description	Quantity	Unit
1	6.651-367.0	Pilot lamp	1	ST

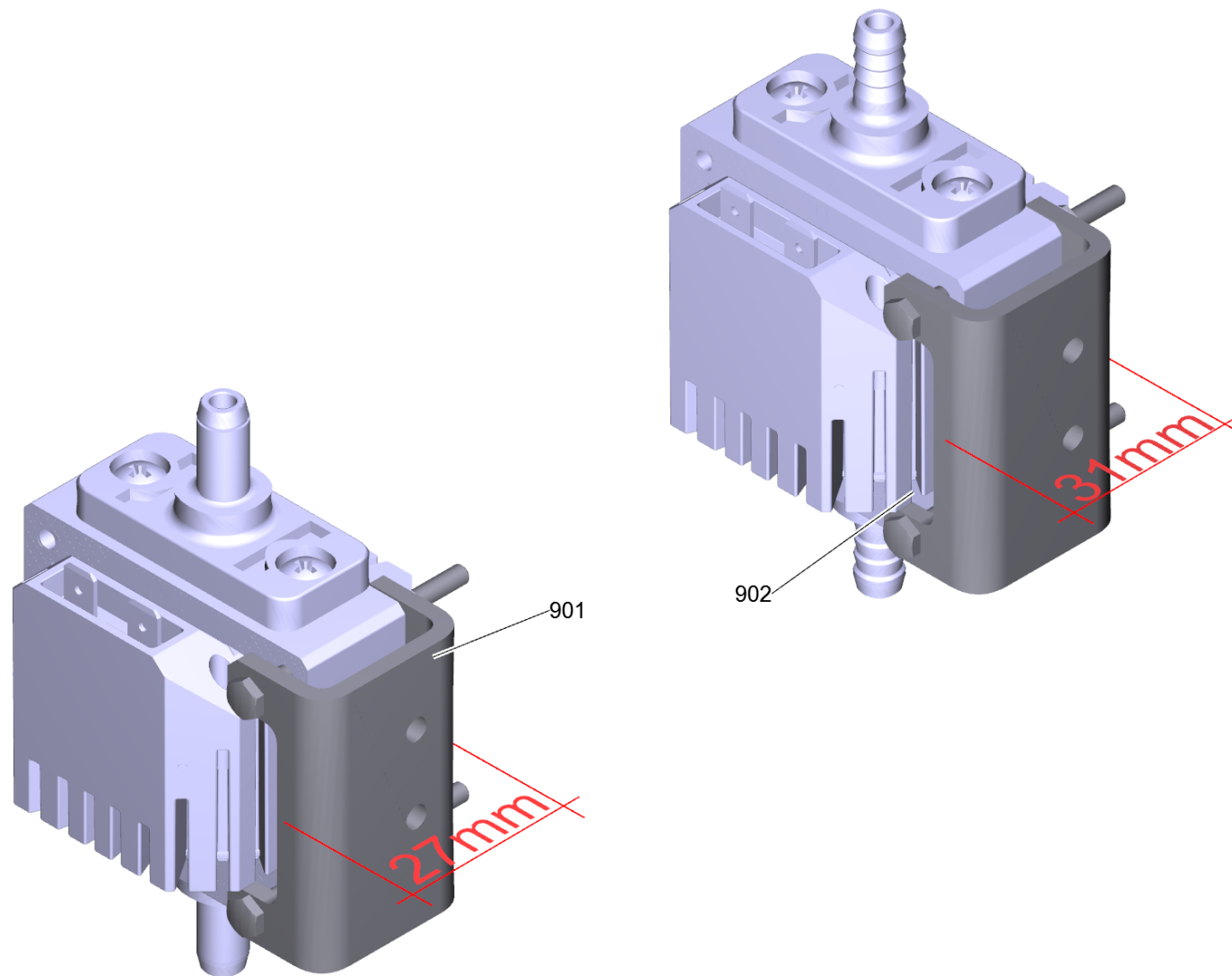
17 Level probe (4.747-101.0)

POS	Article no.	Description	Quantity	Unit
2	6.388-194.0	Hose DN 7	2,7	M
	Item text2: 47470470			
3	7.373-019.0	Hose clip A 10-16x9-W4 DIN3017	1	ST
	Item text2: 47470470			
5	6.642-042.0	Insulating hose	1,25	M
	Item text2: 47470470			
11	6.641-465.0	Cable tape	1	ST
12	6.648-401.0	Cable gland black M25X1,5	1	ST

415 Add-on kit cleaning agents double HD (2.209-800.0)

POS	Article no.	Description	Quantity	Unit
30	2.209-800.3	Spare parts list add-on kit cleaning age	1	ST
40	2.209-799.3	Spare parts list add-on kit cleaning age	1	ST





30 Spare parts list add-on kit cleaning age (2.209-800.3)

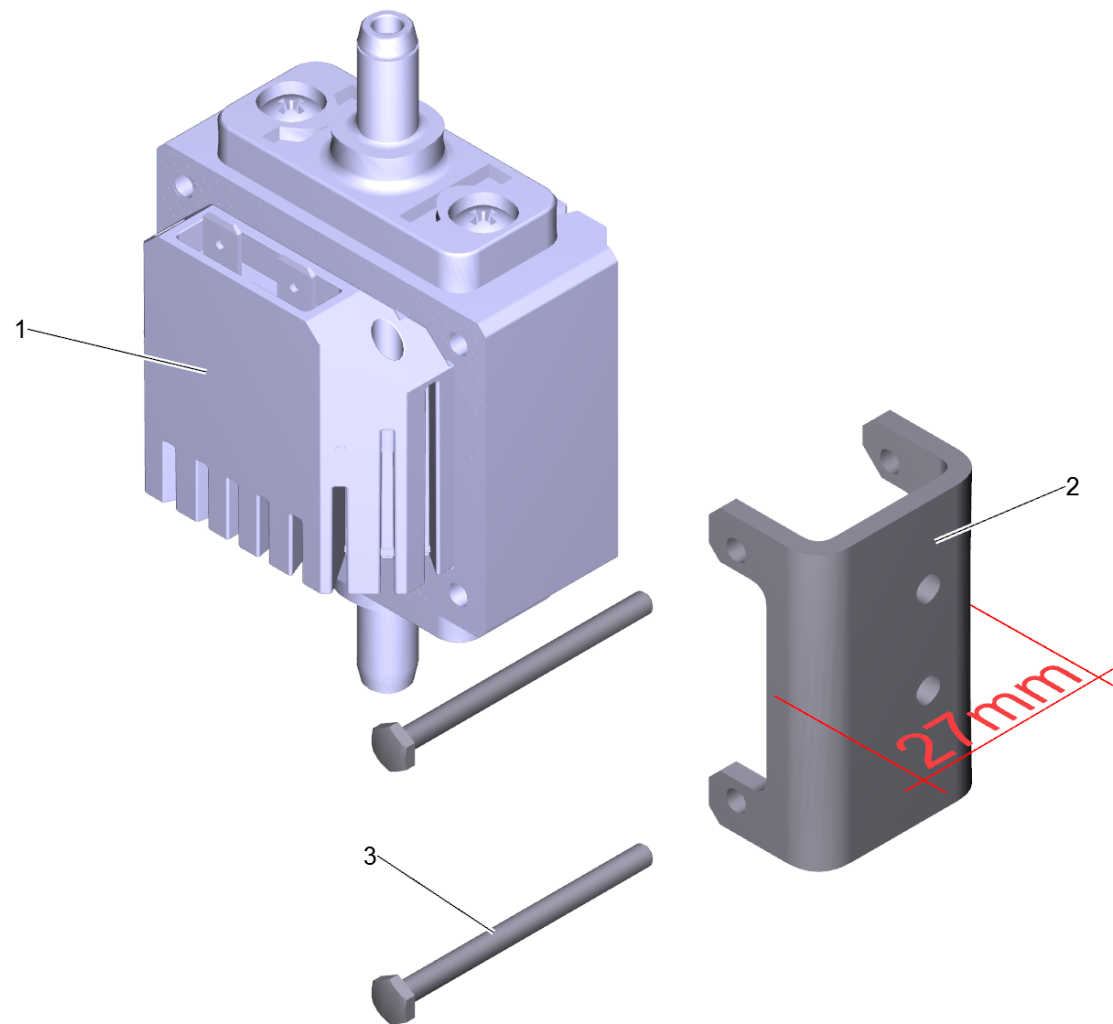
POS	Article no.	Description	Quantity	Unit	Foot note text
2	6.641-463.0	Cable tape	4	ST	
6	7.306-213.0	Screw M5x6 -A2-70 (In6Rd)	2	ST	
7	6.388-560.0	Hose clip	9	ST	
8	6.388-194.0	Hose DN 7	1,25	M	
9	6.389-768.0	Hose clip	2	ST	
15	4.070-833.0	Pilot lamp complete	1	ST	
17	4.747-101.0	Level probe	1	ST	
22	6.649-979.0	Cable vibrating diaphragm pump	1	ST	
23	6.413-548.0	Check valve	1	ST	
30	6.649-966.0	Cable switch reinforcement	1	ST	
33	4.063-884.0	Proportioning valve chemistry	1	ST	
36	5.321-844.0	Handle	1	ST	
41	7.303-386.0	Sheet metal screw ST2,2X13,0-ST-A2E ISO	1	ST	
42	6.388-761.0	Y-Bushing 8	1	ST	
46	7.306-098.0	Cylinder head screw M 4X16-8.8-A2E DIN	2	ST	
47	7.312-001.0	Washer 4 -200HV-A3E ISO 7089	4	ST	
48	7.311-001.0	Hexagon nut M4 -6-A2E ISO 4032	2	ST	
901		Vibrating piston pump version 1	1	ST	VERSION 1
902		Vibrating piston pump version 2	1	ST	VERSION 2

15 Pilot lamp complete (4.070-833.0)

POS	Article no.	Description	Quantity	Unit
1	6.651-367.0	Pilot lamp	1	ST

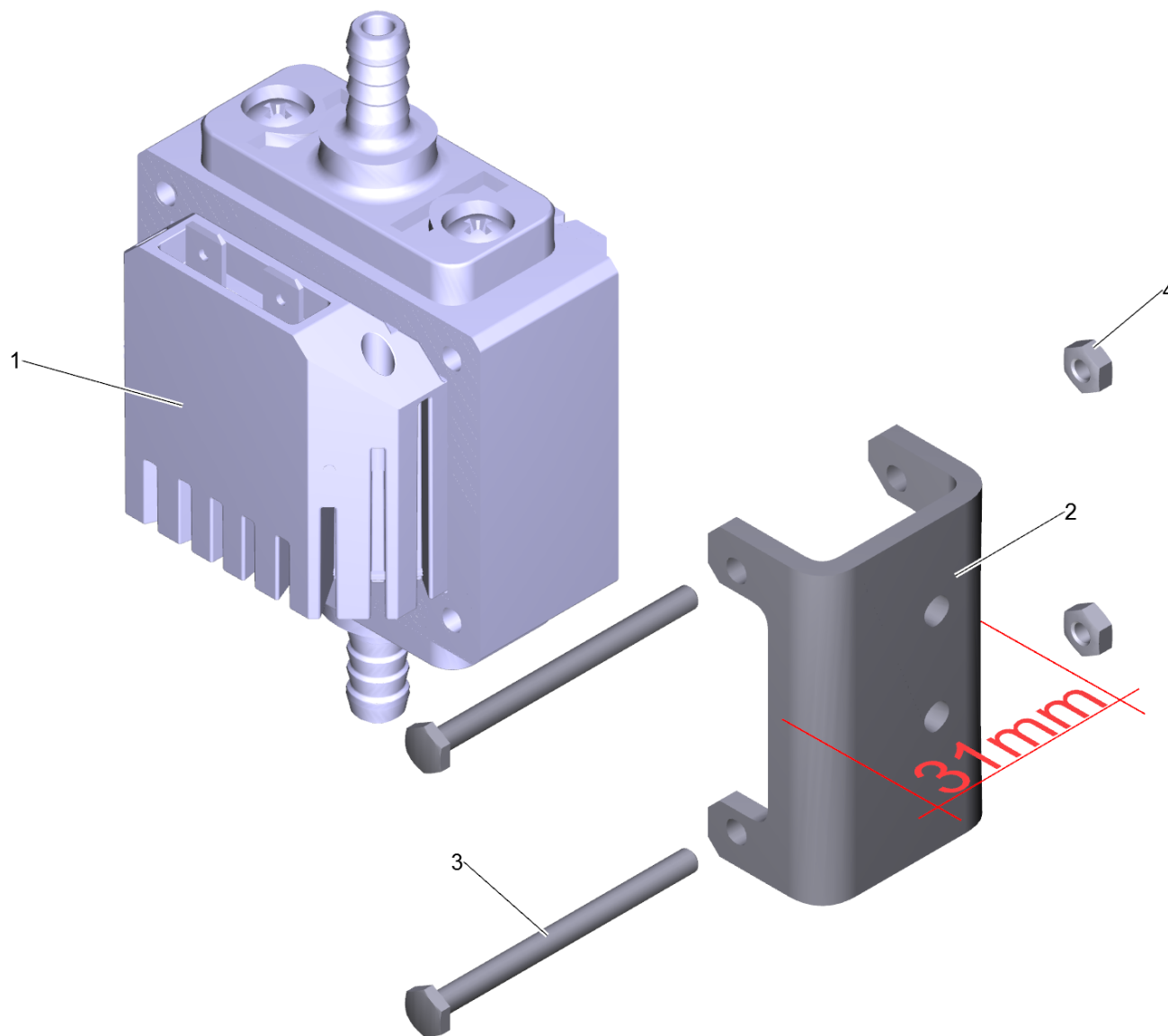
17 Level probe (4.747-101.0)

POS	Article no.	Description	Quantity	Unit
2	6.388-194.0	Hose DN 7	2,7	M
	Item text2: 47470470			
3	7.373-019.0	Hose clip A 10-16x9-W4 DIN3017	1	ST
	Item text2: 47470470			
5	6.642-042.0	Insulating hose	1,25	M
	Item text2: 47470470			
11	6.641-465.0	Cable tape	1	ST
12	6.648-401.0	Cable gland black M25X1,5	1	ST



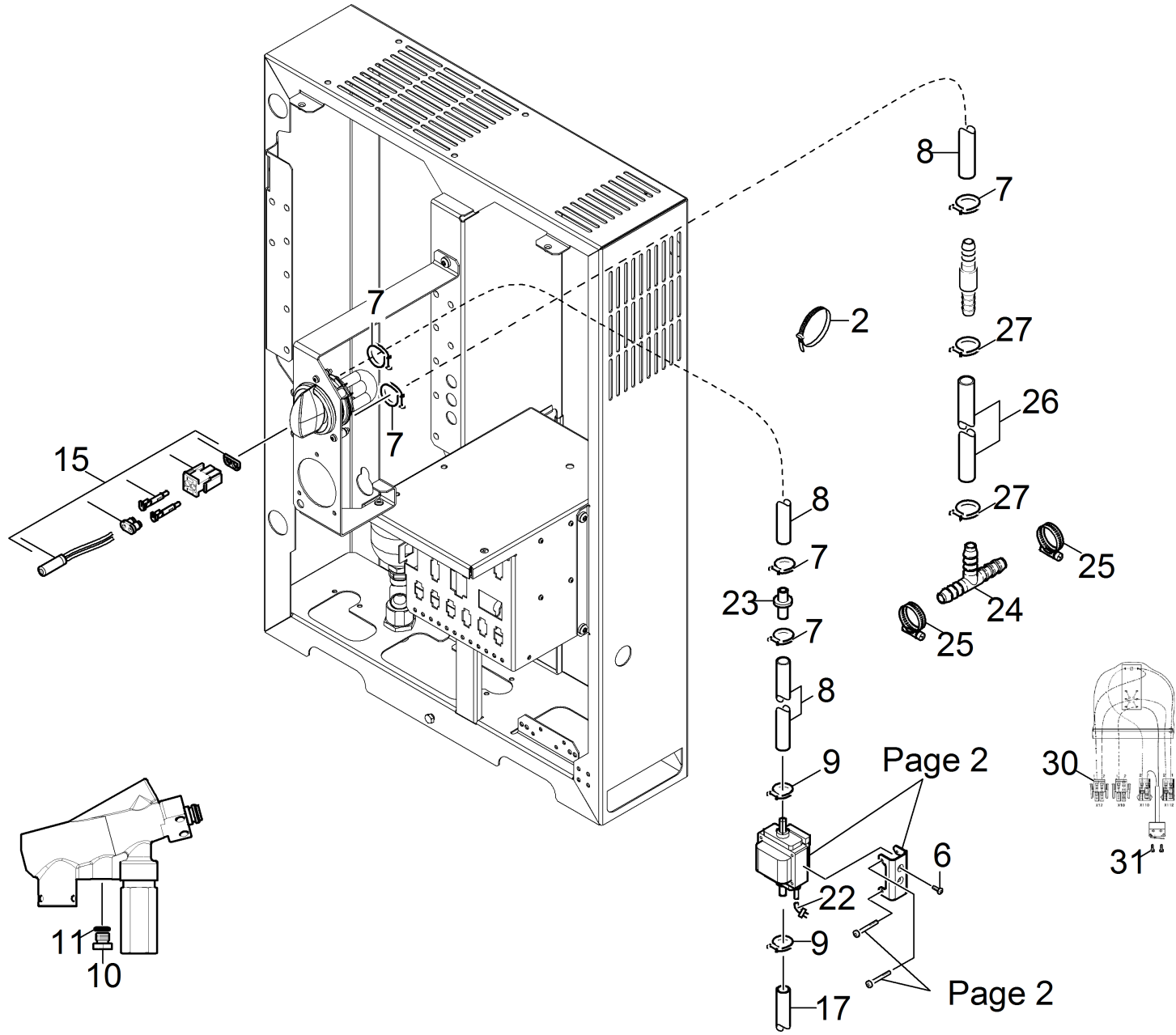
901 Vibrating piston pump version 1

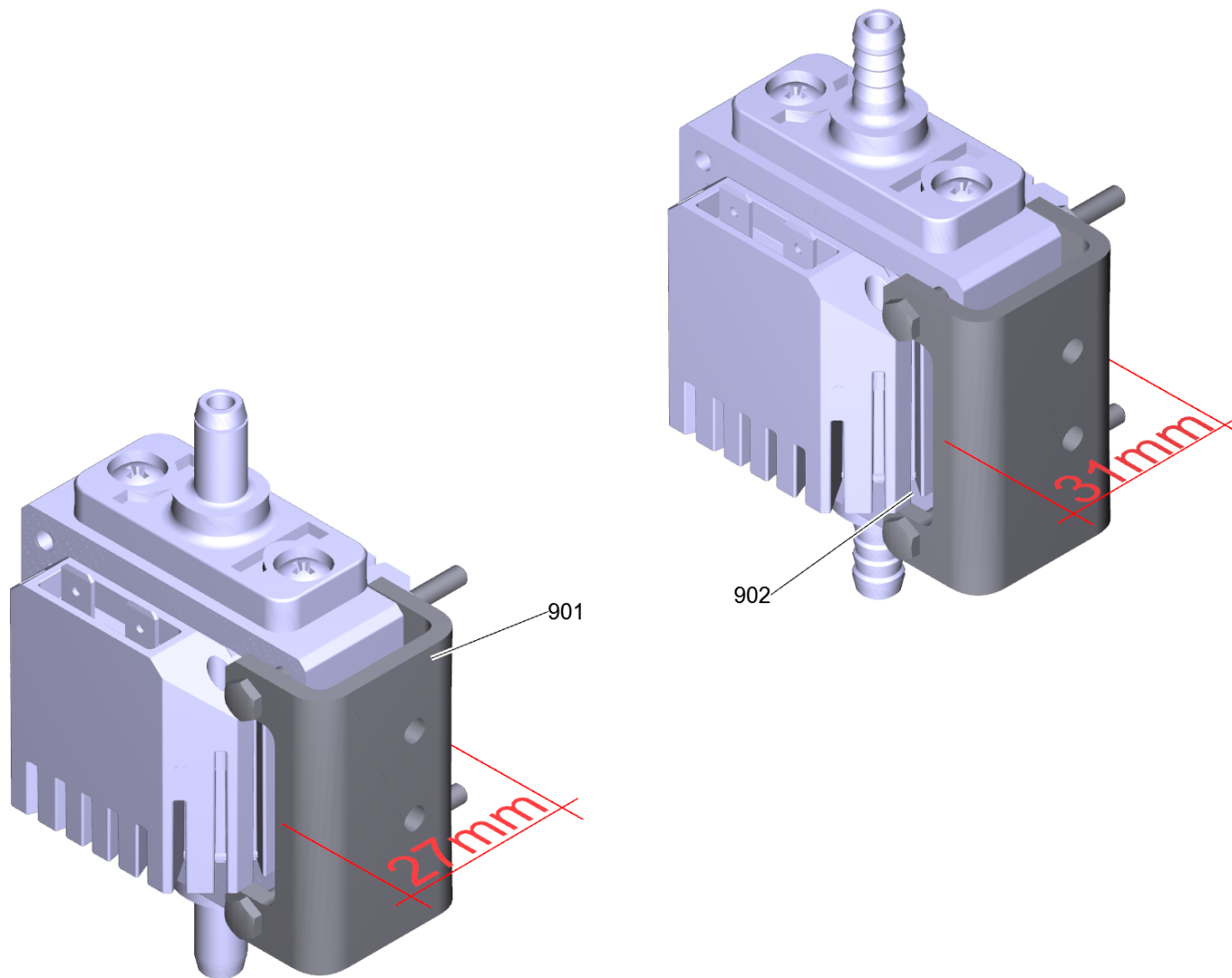
POS	Article no.	Description	Quantity	Unit
1	6.473-561.0	Vibrating piston pump 24V, 50-60Hz	1	ST
2	5.011-445.0	Plate holder	1	ST
3	7.306-262.0	Screw M3x30 -A2-70 ISO 7380	2	ST



902 Vibrating piston pump version 2

POS	Article no.	Description	Quantity	Unit
1	6.473-039.0	Vibrating piston pump 24V, 50-60Hz	1	ST
2	5.013-492.0	Plate holder	1	ST
3	7.304-057.0	Hexagonal head screw M 3x40-8.8-A2E ISO	2	ST
4	7.311-000.0	Hexagon nut M3 -6-A2E ISO 4032	2	ST





40 Spare parts list add-on kit cleaning age (2.209-799.3)

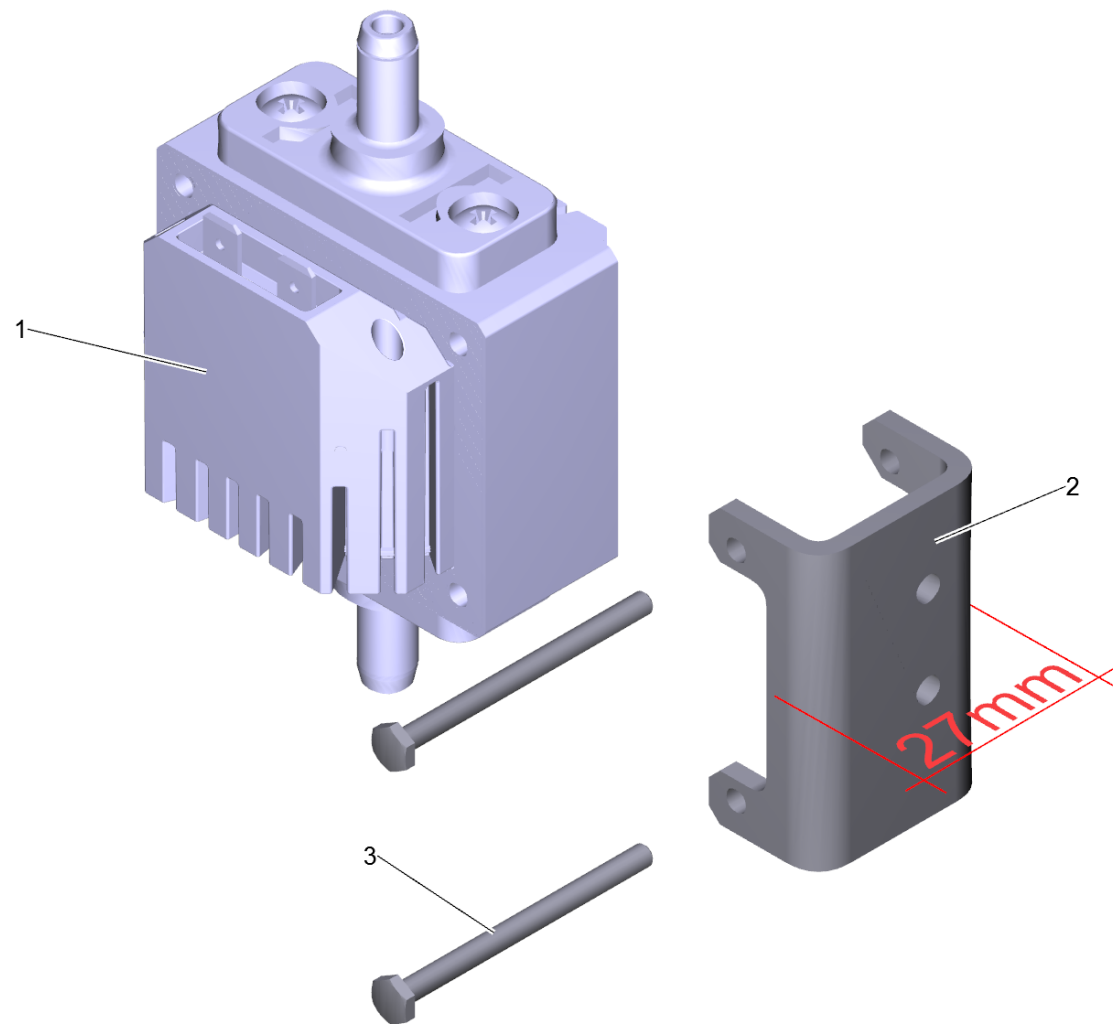
POS	Article no.	Description	Quantity	Unit	Foot note text
2	6.641-463.0	Cable tape	4	ST	
6	7.306-213.0	Screw M5x6 -A2-70 (In6Rd)	2	ST	
7	6.388-560.0	Hose clip	5	ST	
8	6.388-194.0	Hose DN 7	1	M	
9	6.389-768.0	Hose clip	2	ST	
10	5.411-070.0	Screw plug	1	ST	
11	6.363-496.0	O-Ring seal 7,0x2,0	1	ST	
15	4.070-833.0	Pilot lamp complete	1	ST	
17	4.747-101.0	Level probe	1	ST	
22	6.649-979.0	Cable vibrating diaphragm pump	1	ST	
23	6.413-548.0	Check valve	1	ST	
24	6.667-045.0	T-Piece	1	ST	
25	7.373-022.0	Hose clip A-16-27x9 -W2-2 DIN3017	2	ST	
26	6.388-664.0	Hose DN10	0,1	M	
27	6.390-133.0	Hose clip	2	ST	
30	6.649-966.0	Cable switch reinforcement	1	ST	
31	7.303-386.0	Sheet metal screw ST2,2X13,0-ST-A2E ISO	1	ST	
901		Vibrating piston pump version 1	1	ST	VERSION 1
902		Vibrating piston pump version 2	1	ST	VERSION 2

15 Pilot lamp complete (4.070-833.0)

POS	Article no.	Description	Quantity	Unit
1	6.651-367.0	Pilot lamp	1	ST

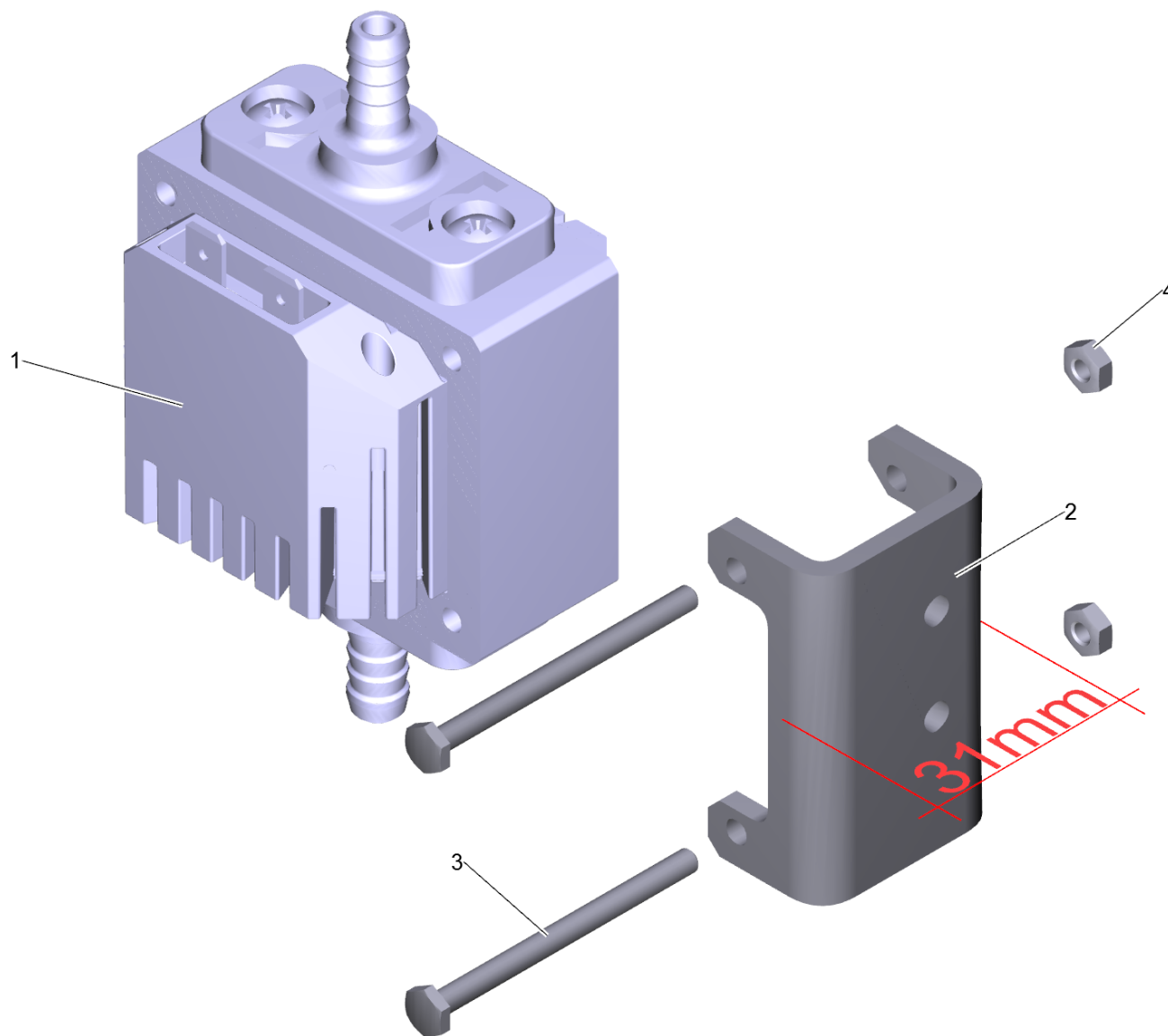
17 Level probe (4.747-101.0)

POS	Article no.	Description	Quantity	Unit
2	6.388-194.0	Hose DN 7	2,7	M
	Item text2: 47470470			
3	7.373-019.0	Hose clip A 10-16x9-W4 DIN3017	1	ST
	Item text2: 47470470			
5	6.642-042.0	Insulating hose	1,25	M
	Item text2: 47470470			
11	6.641-465.0	Cable tape	1	ST
12	6.648-401.0	Cable gland black M25X1,5	1	ST



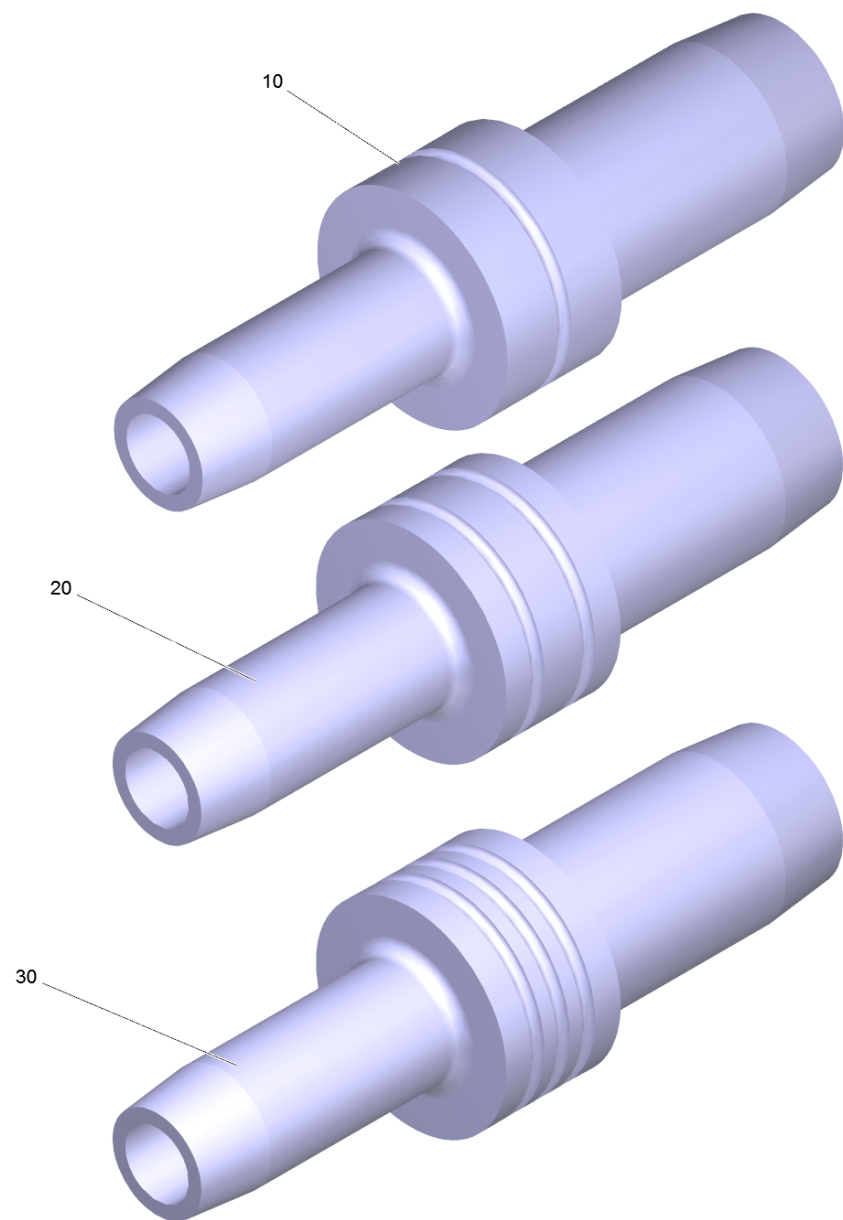
901 Vibrating piston pump version 1

POS	Article no.	Description	Quantity	Unit
1	6.473-561.0	Vibrating piston pump 24V, 50-60Hz	1	ST
2	5.011-445.0	Plate holder	1	ST
3	7.306-262.0	Screw M3x30 -A2-70 ISO 7380	2	ST



902 Vibrating piston pump version 2

POS	Article no.	Description	Quantity	Unit
1	6.473-039.0	Vibrating piston pump 24V, 50-60Hz	1	ST
2	5.013-492.0	Plate holder	1	ST
3	7.304-057.0	Hexagonal head screw M 3x40-8.8-A2E ISO	2	ST
4	7.311-000.0	Hexagon nut M3 -6-A2E ISO 4032	2	ST

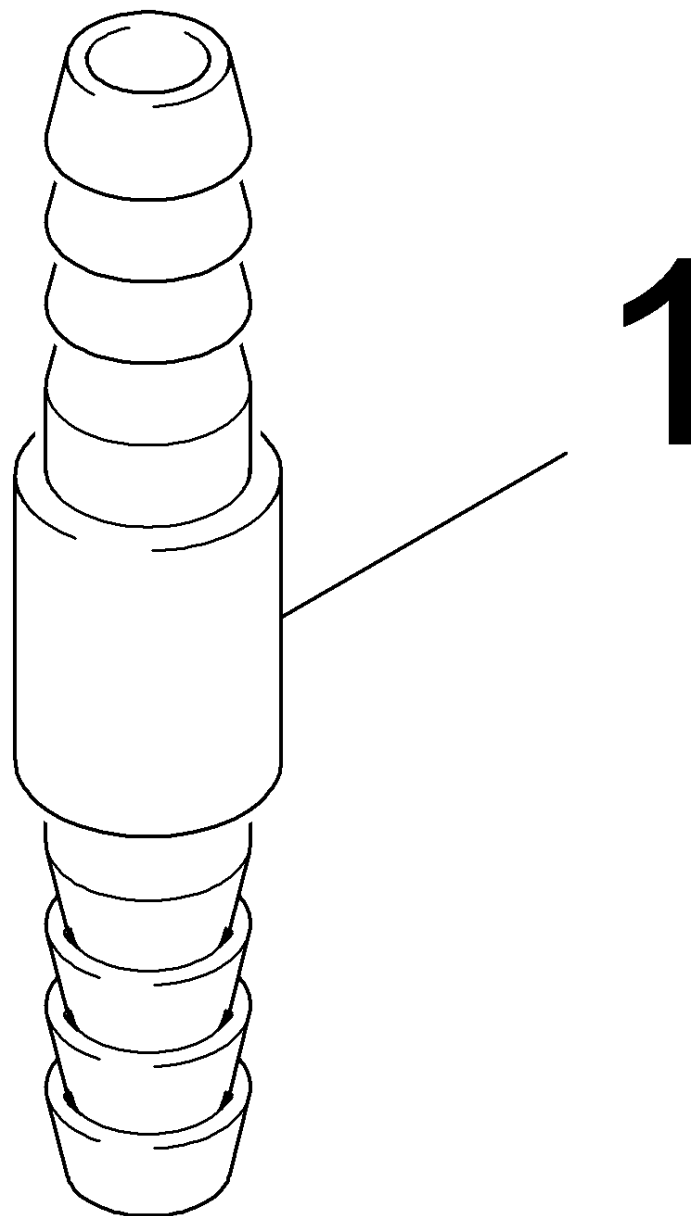


416 Add-on kit cleaning agents hose stem 10/

POS	Description	Quantity	Unit
10	Add-on kit cleaning agents hose stem 10/7 1.5	1	ST
20	Add-on kit cleaning agents hose stem 10/7 2.0	1	ST
30	Add-on kit cleaning agents hose stem 10/7 5.0	1	ST

10 Add-on kit cleaning agents hose stem 10/7 1.5

POS	Article no.	Description	Quantity	Unit
10	2.209-801.3	Spare parts list add-on kit cleaning age	1	ST

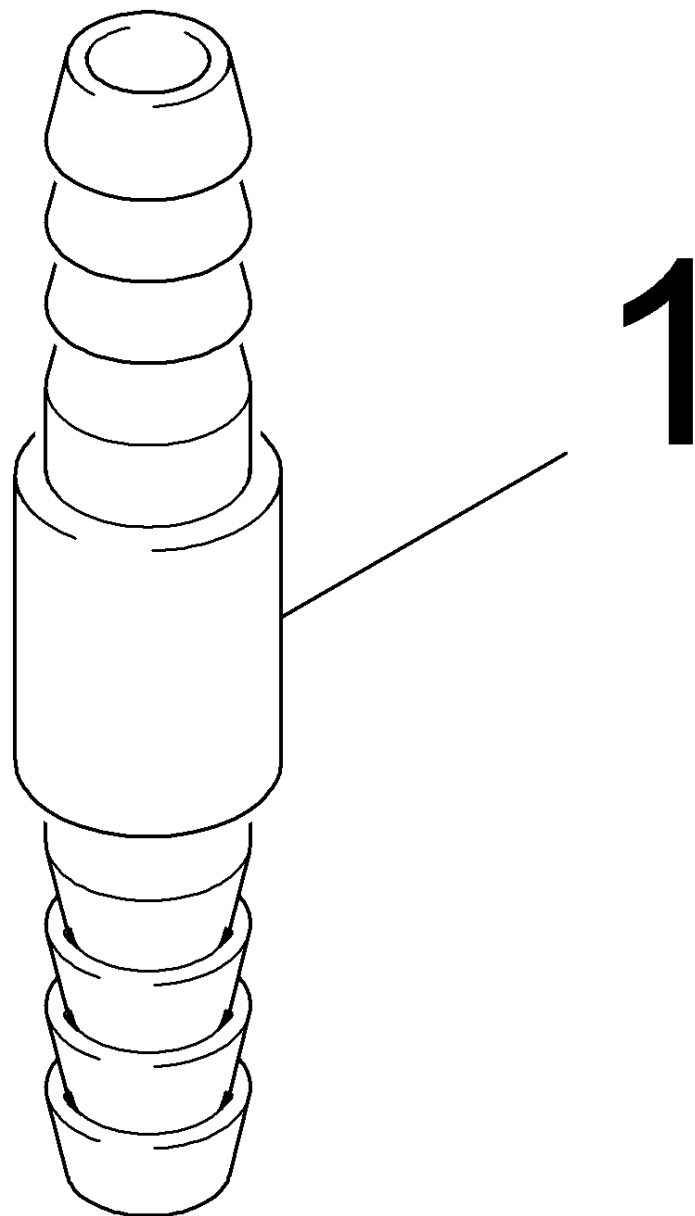


10 Spare parts list add-on kit cleaning age (2.209-801.3)

POS	Article no.	Description	Quantity	Unit
1	5.443-647.0	Hose stem 10/7 1.5	1	ST

20 Add-on kit cleaning agents hose stem 10/7 2.0

POS	Article no.	Description	Quantity	Unit
10	2.209-802.3	Spare parts list add-on kit cleaning age	1	ST

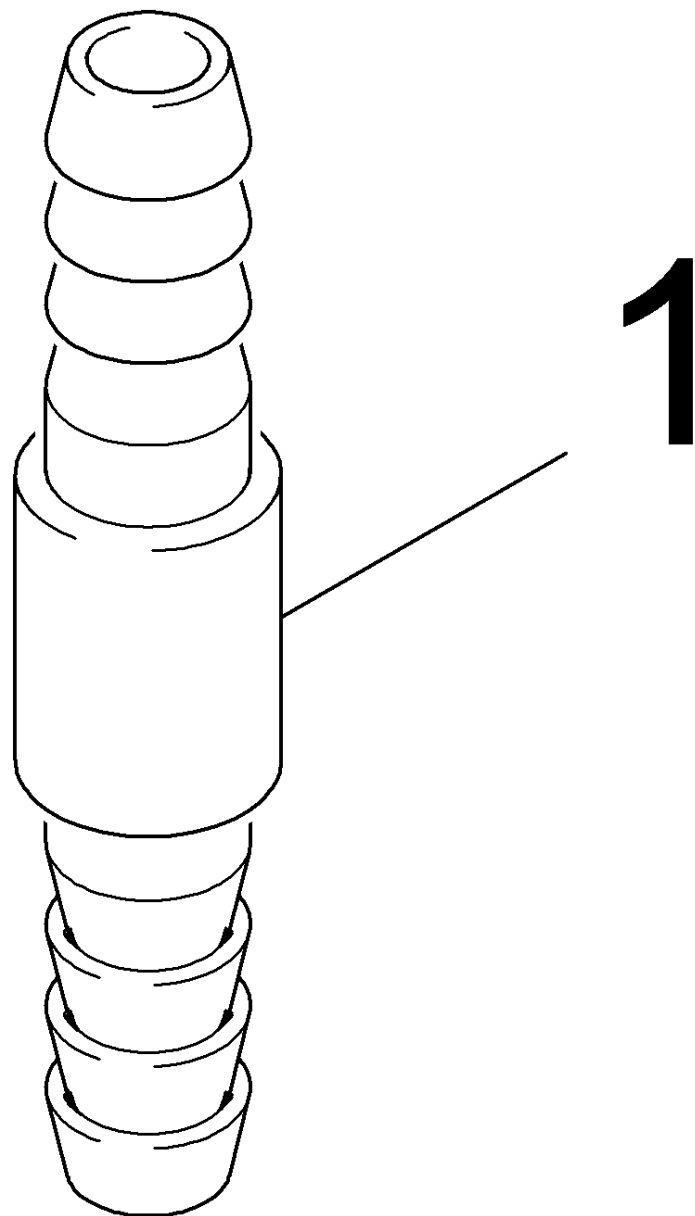


10 Spare parts list add-on kit cleaning age (2.209-802.3)

POS	Article no.	Description	Quantity	Unit
1	5.443-646.0	Hose stem 10/7 2.0	1	ST

30 Add-on kit cleaning agents hose stem 10/7 5.0

POS	Article no.	Description	Quantity	Unit
10	2.209-803.3	Spare parts list add-on kit cleaning age	1	ST

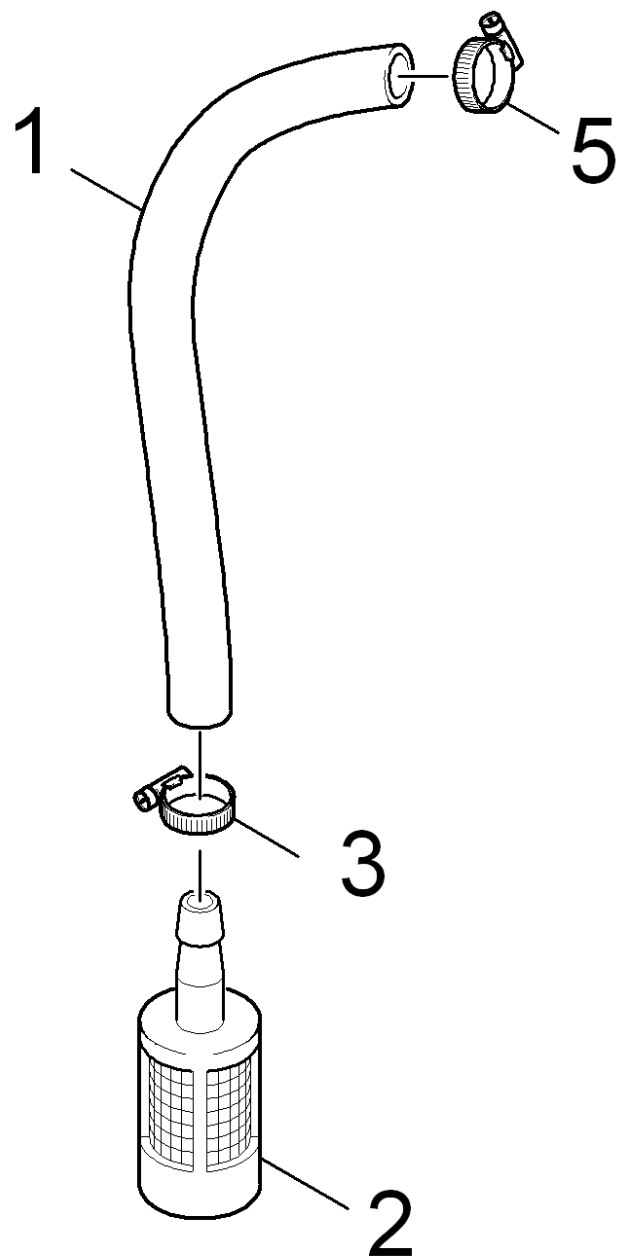


10 Spare parts list add-on kit cleaning age (2.209-803.3)

POS	Article no.	Description	Quantity	Unit
1	5.443-645.0	Hose stem 10/7 5.0	1	ST

420 Parts with socket

POS	Article no.	Description	Quantity	Unit
10	2.209-808.3	Spare parts list parts socket	1	ST

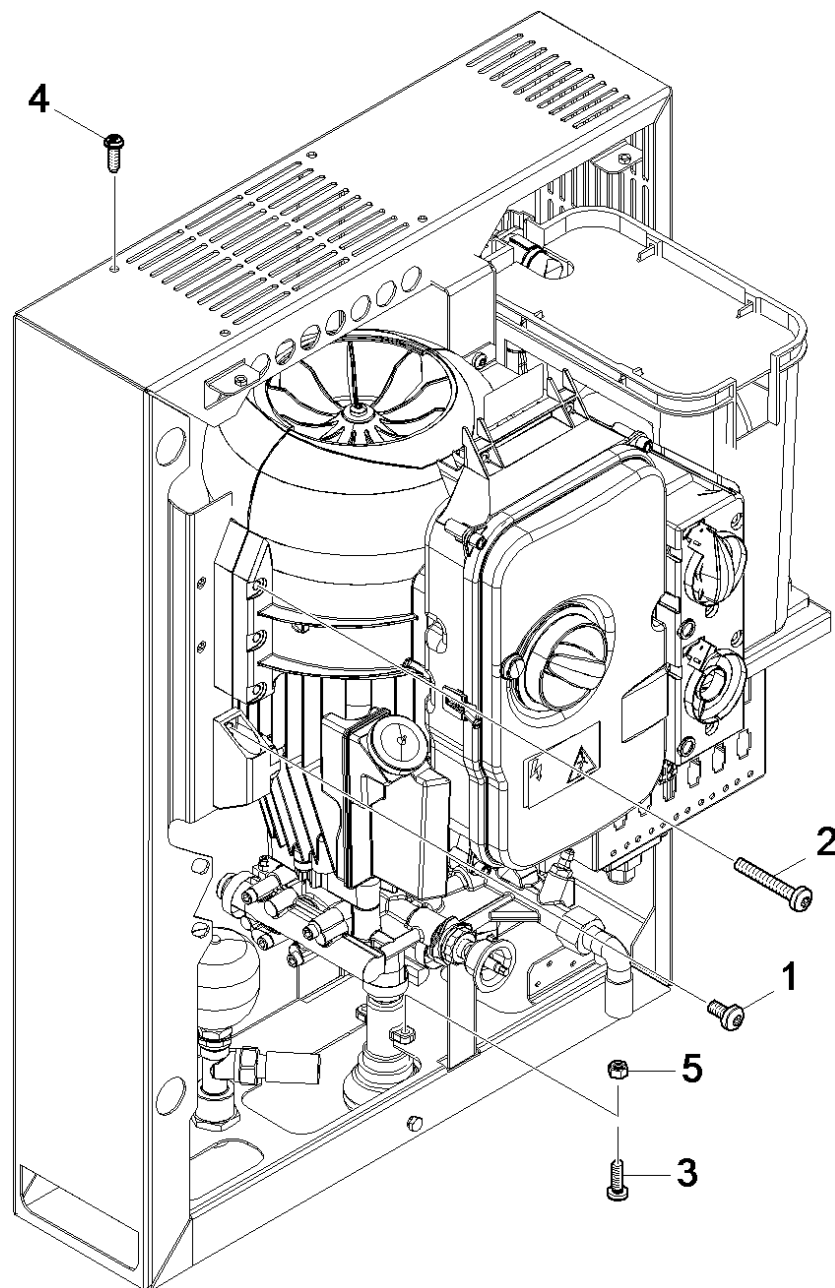


10 Spare parts list parts socket (2.209-808.3)

POS	Article no.	Description	Quantity	Unit
1	6.388-194.0	Hose DN 7	2	M
2	5.731-652.0	Filter with weight	1	ST
3	6.388-560.0	Hose clip	1	ST
5	6.389-768.0	Hose clip	1	ST

600 Fixing pump set 7/16 VA

POS	Article no.	Description	Quantity	Unit
1	2.209-782.3	Spare parts list fixing pump set 7/16 VA	1	ST

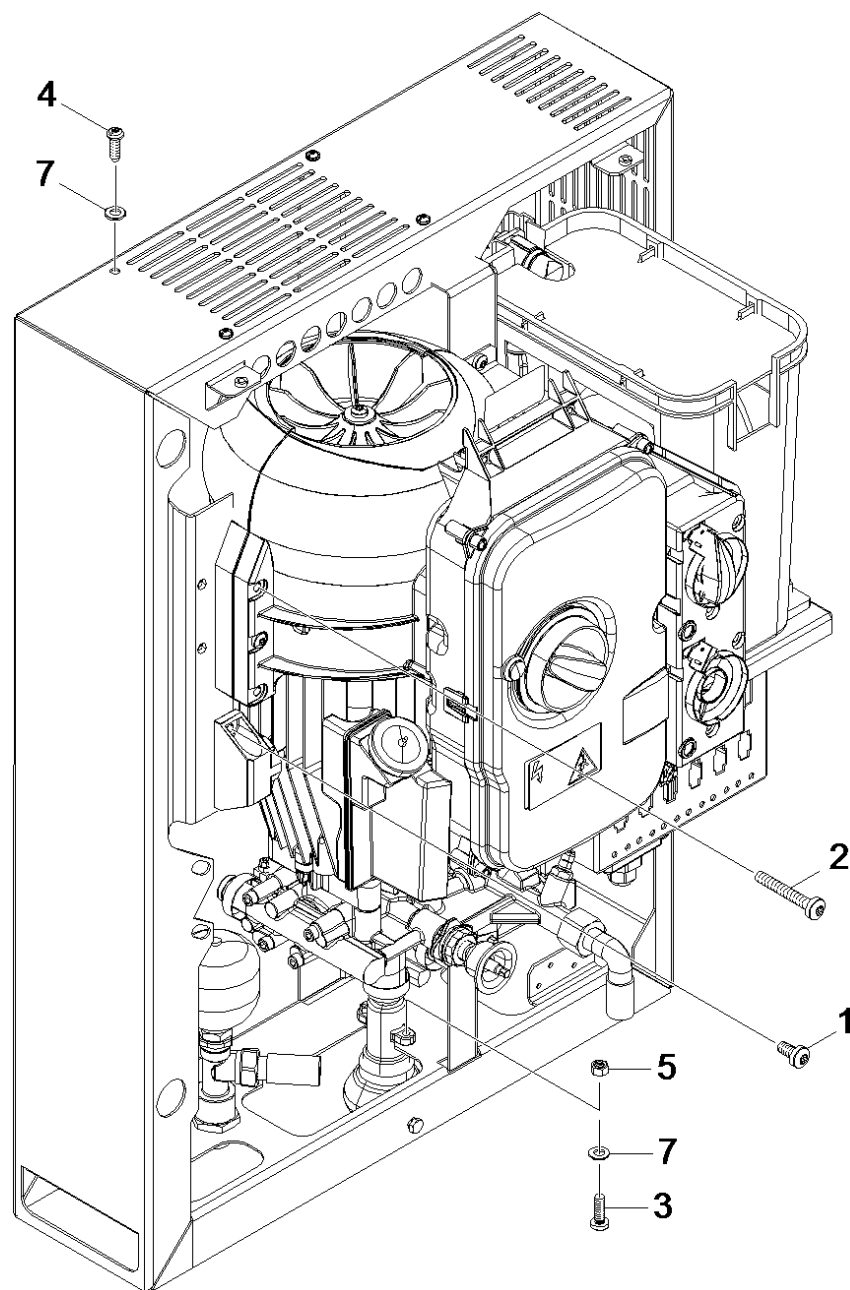


1 Spare parts list fixing pump set 7/16 VA (2.209-782.3)

POS	Article no.	Description	Quantity	Unit
1	7.306-192.0	Screw M 6x 12-A2-70 (In6Rd)	4	ST
2	7.306-198.0	Screw M 6x40-A2-70 (IN6RD)	4	ST
3	7.306-182.0	Pan head screw M5x16 -A2-70 ISO 14583	2	ST
4	7.303-104.0	Screw 5x16 -A2-70 (IN6RD)	4	ST
5	7.311-065.0	Hexagon nut M 5-A2-70 ISO 4032	2	ST

610 Fixing pump set 7/16

POS	Article no.	Description	Quantity	Unit
1	2.209-783.3	Spare parts list fixing pump set 7/16	1	ST

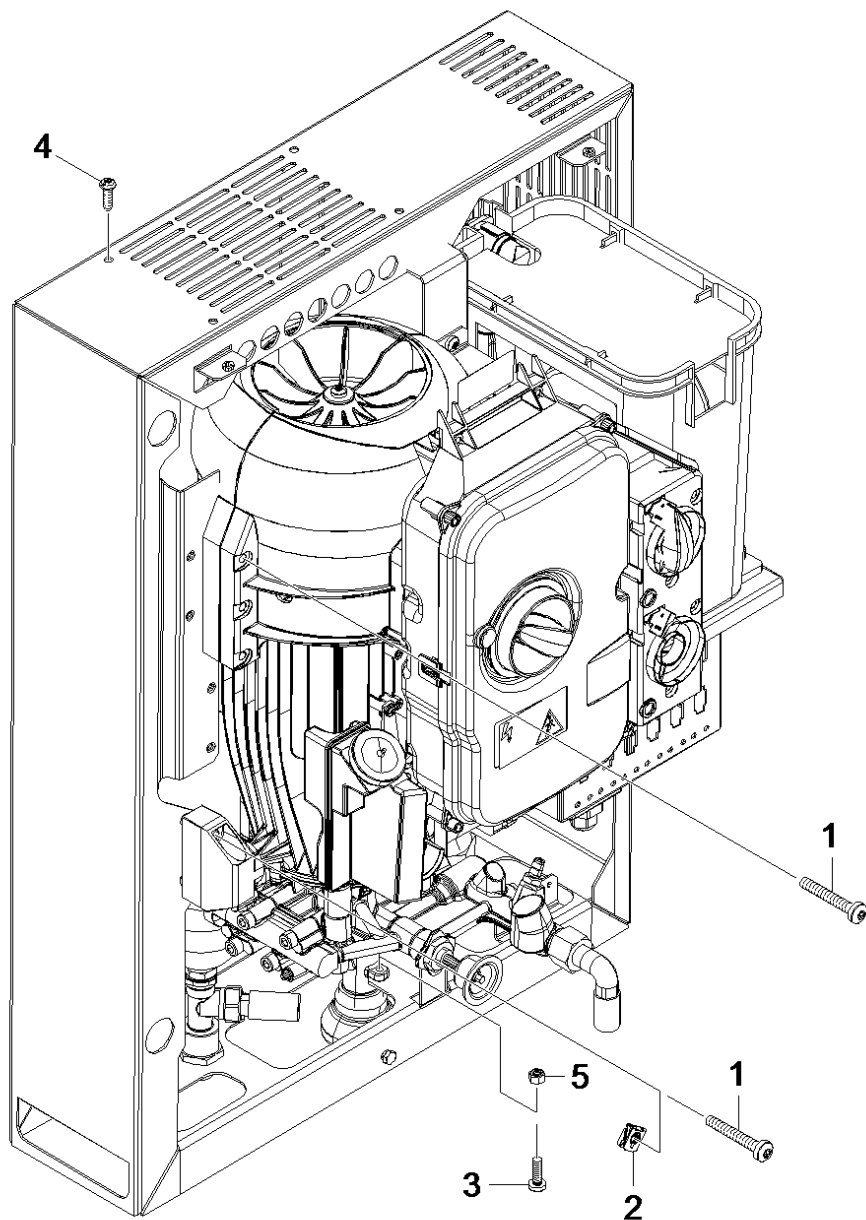


1 Spare parts list fixing pump set 7/16 (2.209-783.3)

POS	Article no.	Description	Quantity	Unit
1	7.306-089.0	Screw M6x12 -8.8-R2R (In6Rd)	4	ST
2	7.306-129.0	Screw M6x40 -8.8-P2R (In6Rd)	4	ST
3	7.306-077.0	Screw M5x16 -8.8-R2R (In6Rd)	2	ST
4	7.303-107.0	Screw 5x16 -10.9-P2R (K-In6Rd)	4	ST
5	7.311-002.0	Hexagon nut M5 -6-A2E ISO 4032	2	ST
7	7.312-002.0	Washer 5-200HV-A3E ISO 7089	6	ST

620 Fixing pump set 9/18 VA

POS	Article no.	Description	Quantity	Unit
1	2.209-784.3	Spare parts list fixing pump set 9/18 VA	1	ST

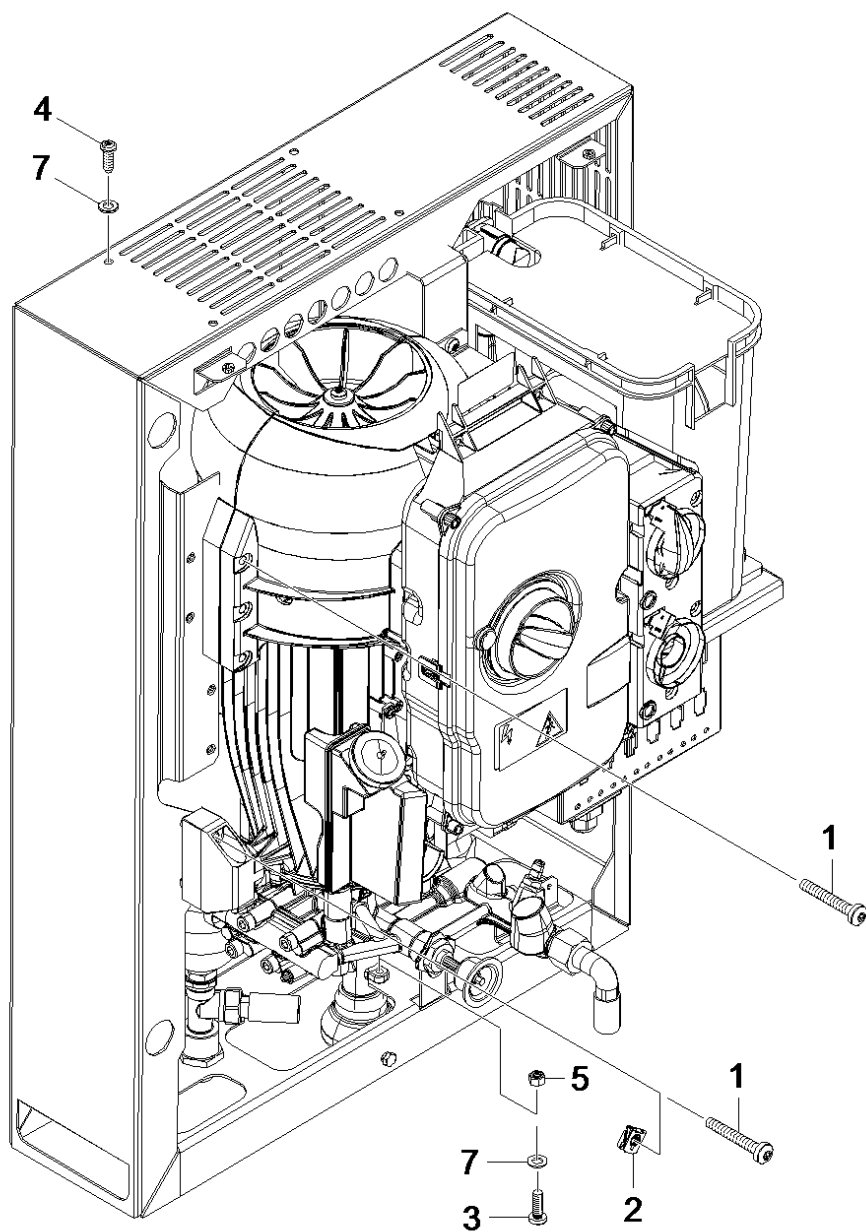


1 Spare parts list fixing pump set 9/18 VA (2.209-784.3)

POS	Article no.	Description	Quantity	Unit
1	7.306-198.0	Screw M 6x40-A2-70 (IN6RD)	8	ST
2	6.310-175.0	Putting nut M6	4	ST
3	7.306-182.0	Pan head screw M5x16 -A2-70 ISO 14583	2	ST
4	7.306-190.0	Screw M6x8 -A2-70 (In6Rd)	16	ST
5	7.311-065.0	Hexagon nut M 5-A2-70 ISO 4032	2	ST

621 Fixing pump set 9/18

POS	Article no.	Description	Quantity	Unit
1	2.209-785.3	Spare parts list fixing pump set 9/18	1	ST

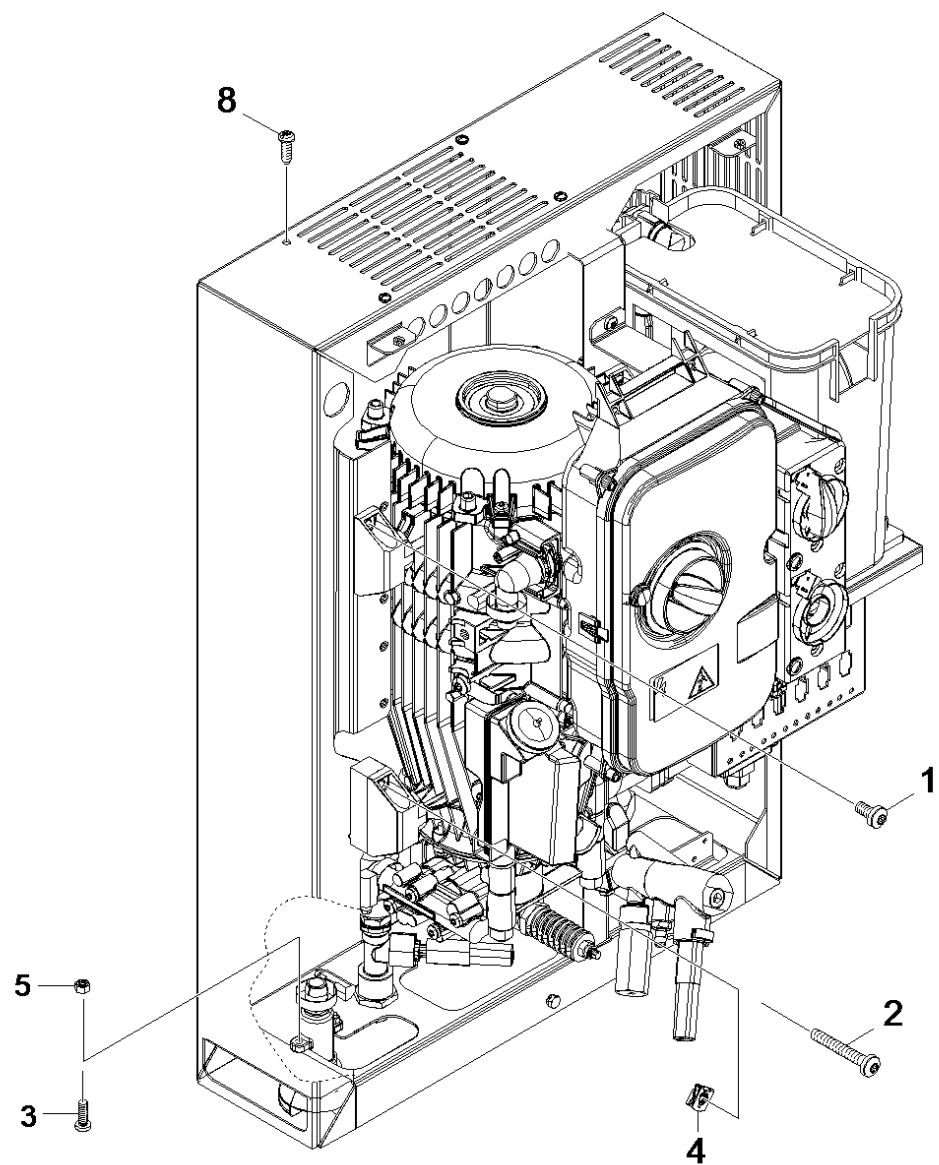


1 Spare parts list fixing pump set 9/18 (2.209-785.3)

POS	Article no.	Description	Quantity	Unit
1	7.306-129.0	Screw M6x40 -8.8-P2R (In6Rd)	8	ST
2	6.310-082.0	Putting nut M6	4	ST
3	7.306-077.0	Screw M5x16 -8.8-R2R (In6Rd)	2	ST
4	7.306-087.0	Screw M6x10 -8.8-R3R (In6Rd)	16	ST
5	7.311-002.0	Hexagon nut M5 -6-A2E ISO 4032	2	ST
6	7.312-003.0	Washer 6 -200HV-A3E ISO 7089	15	ST
7	7.312-002.0	Washer 5-200HV-A3E ISO 7089	2	ST

630 Fixing pump set 13/12 VA

POS	Article no.	Description	Quantity	Unit
1	2.209-786.3	Spare parts list fixing pump set 13/12 V	1	ST

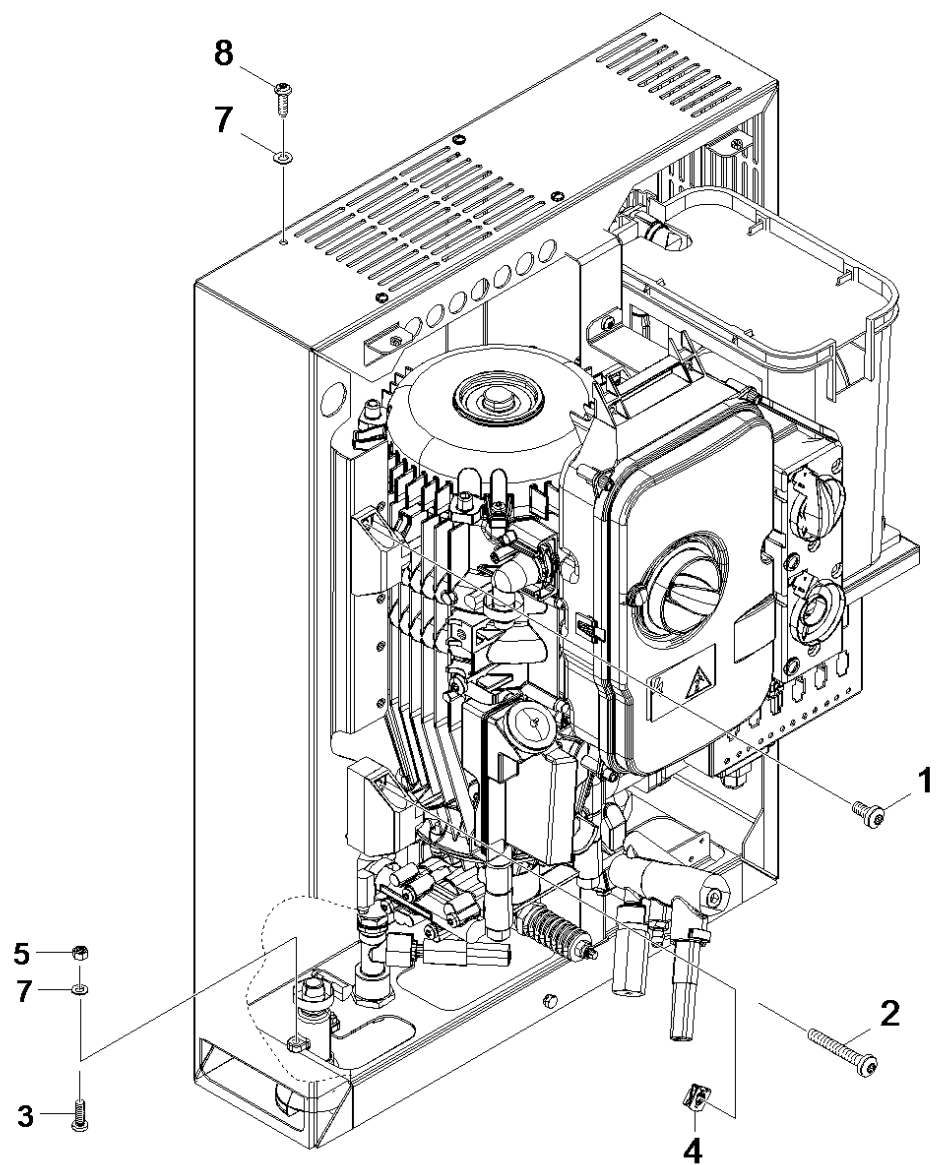


1 Spare parts list fixing pump set 13/12 V (2.209-786.3)

POS	Article no.	Description	Quantity	Unit
1	7.306-192.0	Screw M 6x 12-A2-70 (In6Rd)	4	ST
2	7.306-198.0	Screw M 6x40-A2-70 (IN6RD)	4	ST
3	7.306-182.0	Pan head screw M5x16 -A2-70 ISO 14583	2	ST
4	6.310-175.0	Putting nut M6	4	ST
5	7.311-065.0	Hexagon nut M 5-A2-70 ISO 4032	2	ST
8	7.303-104.0	Screw 5x16 -A2-70 (IN6RD)	4	ST

631 Fixing pump set 13/12

POS	Article no.	Description	Quantity	Unit
1	2.209-787.3	Spare parts list fixing pump set 13/12	1	ST



1 Spare parts list fixing pump set 13/12 (2.209-787.3)

POS	Article no.	Description	Quantity	Unit
1	7.306-089.0	Screw M6x12 -8.8-R2R (In6Rd)	4	ST
2	7.306-129.0	Screw M6x40 -8.8-P2R (In6Rd)	4	ST
3	7.306-077.0	Screw M5x16 -8.8-R2R (In6Rd)	2	ST
4	6.310-082.0	Putting nut M6	4	ST
5	7.311-002.0	Hexagon nut M5 -6-A2E ISO 4032	2	ST
7	7.312-002.0	Washer 5-200HV-A3E ISO 7089	6	ST
8	7.303-107.0	Screw 5x16 -10.9-P2R (K-In6Rd)	4	ST