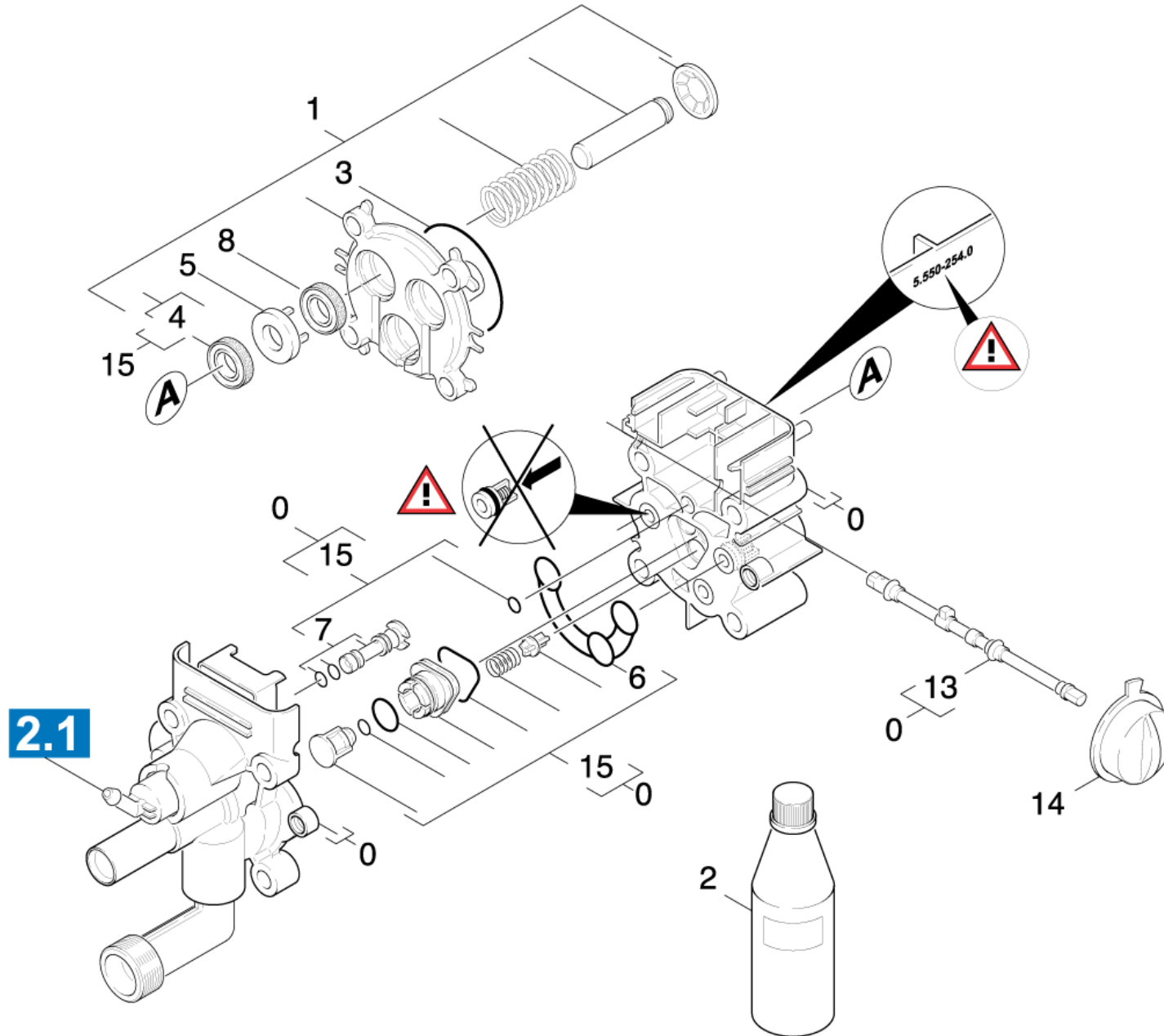


# 22 Cylinder head

Home and Garden \ High pressure cleaner cold water \ Electric motor \ K 2 \ K 205 PLUS \*JP \ Spare parts list 205/ M \*J \ Pump set \ Cylinder head



## 22 Cylinder head

Home and Garden \ High pressure cleaner cold water \ Electric motor \ K 2 \ K 205 PLUS \*JP \ Spare parts list 205/ M \*J \ Pump set \ Cylinder head

**KÄRCHER**

POS	Article no.	Description	Quantity	Unit
13	5.105-254.0	Axle	1.000	ST
0	4.550-590.0	Cylinder head only for replacement SV-NE	1.000	ST
2	6.288-112.0	Engine oil 1L	1.000	ST
4	6.362-875.0	Grooved ring	3.000	ST
14	5.321-560.0	Handhold switch K205	1.000	ST
7	4.769-041.0	Nozzle insert only for replacement	1.000	ST
3	6.362-902.0	O-Ring 60x2,5 NBR 70	1.000	ST
8	6.365-393.0	Oil sealing 12x20x4/6	3.000	ST
6	5.365-209.0	Profile gasket	1.000	ST
15	2.883-877.0	PUMP SET NEUTRAL	1.000	ST
1	4.060-307.0	Thrust guidance for replacement (GD-Zn)	1.000	ST
5	5.115-666.0	Washer	3.000	ST