

## **Spare parts list**

(1.524-924.0) HD 9/20-4 M \*EU-I

## Table of contents

---

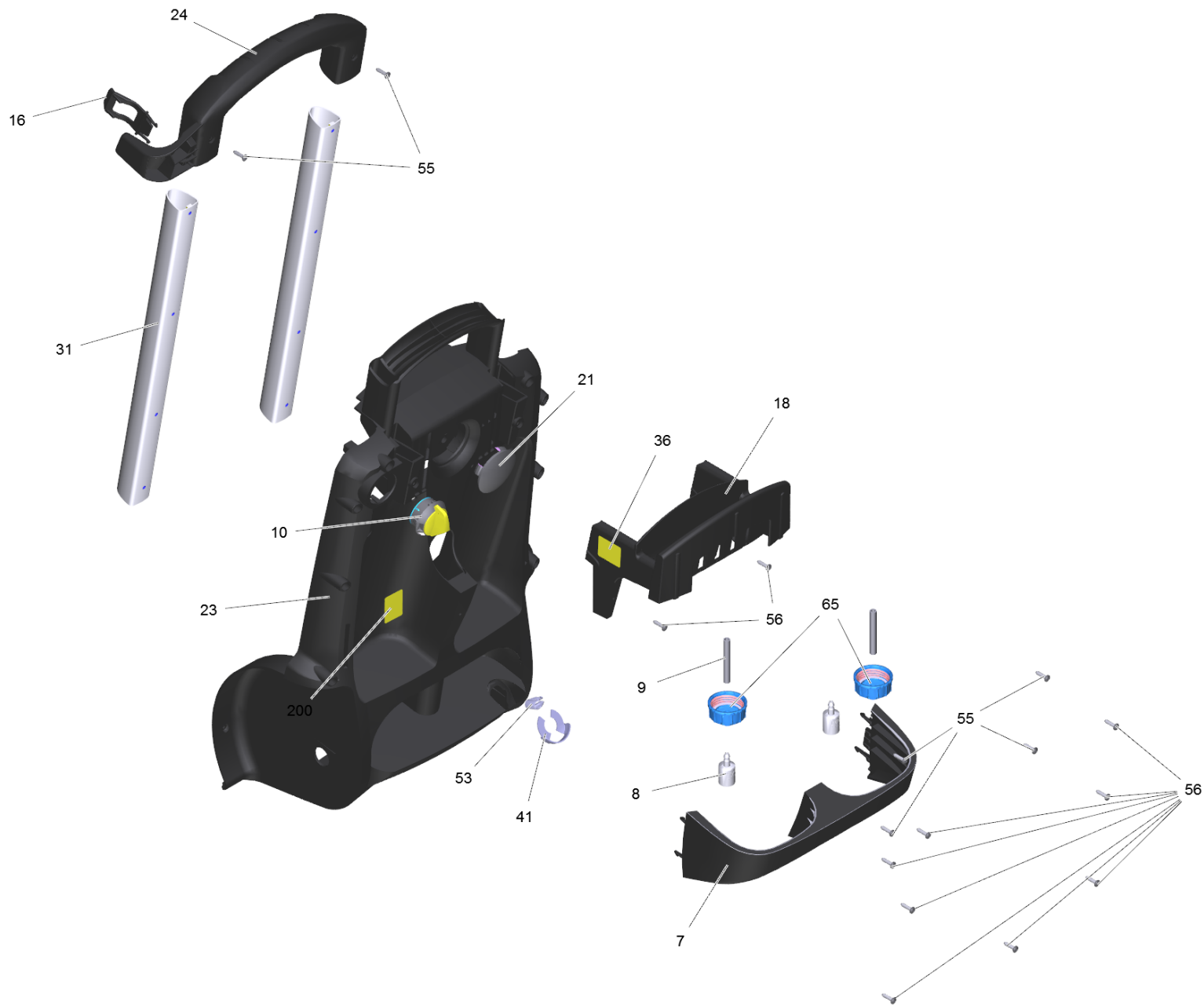
|  |    |
|--|----|
| HD 9/20-4 M *EU-I (1.524-924.0)                            | 3  |
| Spare parts list HD 9/20 *EU (5.974-363.0)                 | 4  |
| 4 Pump set   | 8  |
| 2 Thrust guidance complete                                 | 11 |
| 10 Piston complete (4.553-279.0)                           | 13 |
| 3 Cylinder head complete                                   | 15 |
| 2 Valve (3 Stueck) (2.884-512.0)                           | 18 |
| 3 Valve complete (4.580-594.0)                             | 20 |
| 21 Valve seat complete (4.481-226.0)                       | 22 |
| 82 Pressure gauge complete (4.423-024.0)                   | 24 |
| 901 SPARE PARTS SET (2.883-988.0)                          | 25 |
| 902 Manifold complete (4.427-310.0)                        | 27 |
| 903 Set excess-current (4.591-056.0)                       | 29 |
| 904 Nozzle insert (4.769-026.0)                            | 31 |
| 5 Filter complete  | 33 |
| 999 Motor complete only for replacement (4.623-871.0)      | 35 |
| 20 Set water connection 1 " (2.640-492.0)                  | 37 |
| 65 Cover cleaning agents complete (4.060-866.0)            | 39 |
| 903 Jet pipe TR 1050 mm (4.112-000.0)                      | 41 |
| 1 Jet pipe TR 1050 mm                                      | 42 |
| 904 Triple jet nozzle TR 050 (4.117-037.0)                 | 44 |
| 1 Triple jet nozzle TR 050                                 | 45 |
| 905 EASY!Force Advanced (4.118-005.0)                      | 47 |
| 1 Hand trigger gun TR EH 155                               | 48 |
| 9000 Spare part set lever (2.885-483.0)                    | 50 |
| 906 Rotary controller TR 416L (4.118-008.0)                | 52 |
| 1 Rotary controller TR 416L                                | 53 |
| 907 Hose assembly TR rotatable DN8 31,5MPa 1 (6.110-031.0) | 55 |
| 1 Hose assembly TR rotatable DN8 31,5MPa 1                 | 56 |
| 1030 Short spare parts list                                | 58 |

HD 9/20-4 M \*EU-I (1.524-924.0)

---

| <b>POS</b> | <b>Article no.</b> | <b>Description</b>           | <b>Quantity</b> | <b>Unit</b> |
|------------|--------------------|------------------------------|-----------------|-------------|
| 0          |                    | PAIS HD 9/20                 | 1.000           | ST          |
| 0          | 5.974-363.0        | Spare parts list HD 9/20 *EU | 1.000           | ST          |
| 1030       |                    | Short spare parts list       | 1.000           | ST          |





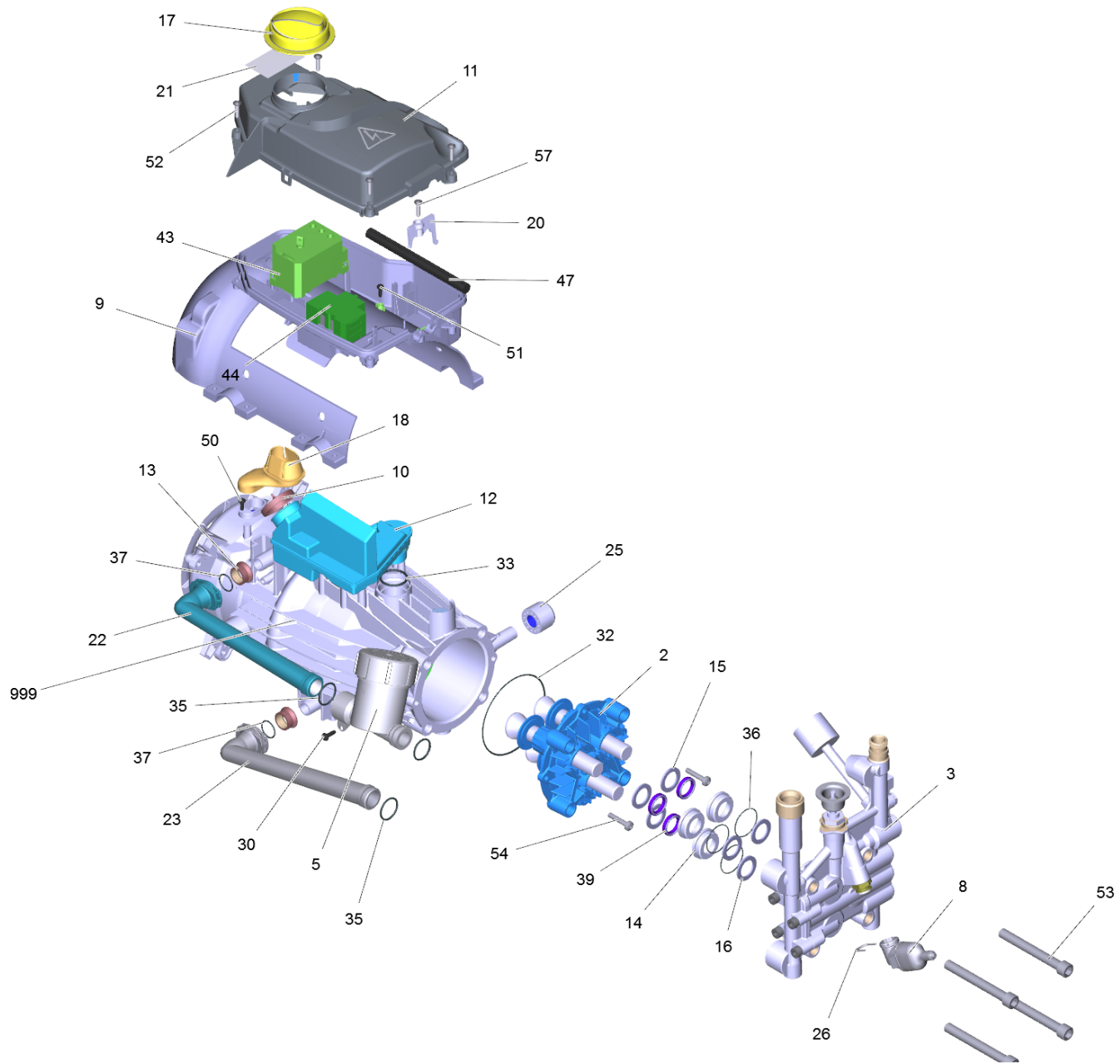
## Spare parts list HD 9/20 \*EU (5.974-363.0)

| POS | Article no. | Description                              | Quantity | Unit | Foot note text        |
|-----|-------------|--|----------|------|-----------------------|
| 4   |             | Pump set                                 | 1.000    | ST   |                       |
| 7   | 5.032-747.0 | Retaining bracket                        | 1.000    | ST   |                       |
| 8   | 5.731-652.0 | Filter with weight                       | 1.000    | ST   |                       |
| 9   | 6.388-216.0 | Hose DN 5                                | 1.000    | M    | TO ORDER AS CUT GOODS |
| 10  | 4.580-645.0 | Proportioning valve chemistry            | 1.000    | ST   |                       |
| 16  | 5.044-216.0 | Holder                                   | 1.000    | ST   |                       |
| 17  | 5.057-062.0 | Support                                  | 2.000    | ST   |                       |
| 18  | 5.044-735.0 | Holder                                   | 1.000    | ST   |                       |
| 19  | 6.368-080.0 | Protecting cap                           | 1.000    | ST   |                       |
| 20  | 2.640-492.0 | Set water connection 1 "                 | 1.000    | ST   |                       |
| 21  | 5.032-475.0 | Covering cap cover                       | 1.000    | ST   |                       |
| 22  | 5.050-258.3 | Frame front part                         | 1.000    | ST   |                       |
| 23  | 5.050-431.0 | Frame rear panel                         | 1.000    | ST   |                       |
| 24  | 5.321-751.0 | Handhold                                 | 1.000    | ST   |                       |
| 29  | 5.802-288.0 | Mounting part                            | 2.000    | ST   |                       |
| 31  | 5.107-262.0 | Bar                                      | 2.000    | ST   |                       |
| 34  | 5.393-992.0 | Label instruction Nippel abschneiden     | 1.000    | ST   |                       |
| 36  | 5.387-620.0 | Warning sticker-Prevent from freezing    | 1.000    | ST   |                       |
| 37  | 5.105-413.0 | Axle                                     | 1.000    | ST   |                       |
| 40  | 6.304-099.0 | Saucer-head screw M 6x 18-4.8-R2R        | 1.000    | ST   |                       |
| 41  | 6.343-186.0 | Locking ring                             | 1.000    | ST   |                       |
| 42  | 6.310-053.0 | Putting nut                              | 1.000    | ST   |                       |
| 44  | 6.343-162.0 | Lock washer -25                          | 2.000    | ST   |                       |
| 45  | 4.515-343.0 | Wheel complete                           | 2.000    | ST   |                       |
| 53  | 5.044-802.0 | Cable clip                               | 1.000    | ST   |                       |
| 55  | 7.303-048.0 | Screw M6x20 -St-R3R (In6Rd)              | 6.000    | ST   |                       |
| 56  | 7.303-108.0 | Screw 5x20 -10.9-R2R (In6Rd)             | 19.000   | ST   |                       |
| 65  | 4.060-866.0 | Cover cleaning agents complete           | 2.000    | ST   |                       |
| 200 | 5.384-666.0 | Label 87 dB                              | 1.000    | ST   |                       |
| 901 | 2.889-086.0 | Set wheel cap                            | 1.000    | ST   |                       |
| 902 | 5.069-413.3 | Device cover basalt grey only for replac | 1.000    | ST   |                       |
| 903 | 4.112-000.0 | Jet pipe TR 1050 mm                      | 1.000    | ST   |                       |
| 904 | 4.117-037.0 | Triple jet nozzle TR 050                 | 1.000    | ST   |                       |

Spare parts list HD 9/20 \*EU (5.974-363.0)

---

| <b>POS</b> | <b>Article no.</b> | <b>Description</b>                       | <b>Quantity</b> | <b>Unit</b> | <b>Foot note text</b> |
|------------|--------------------|--|-----------------|-------------|-----------------------|
| 905        | 4.118-005.0        | EASY!Force Advanced                      | 1.000           | ST          |                       |
| 906        | 4.118-008.0        | Rotary controller TR 416L                | 1.000           | ST          |                       |
| 907        | 6.110-031.0        | Hose assembly TR rotatable DN8 31,5MPa 1 | 1.000           | ST          |                       |





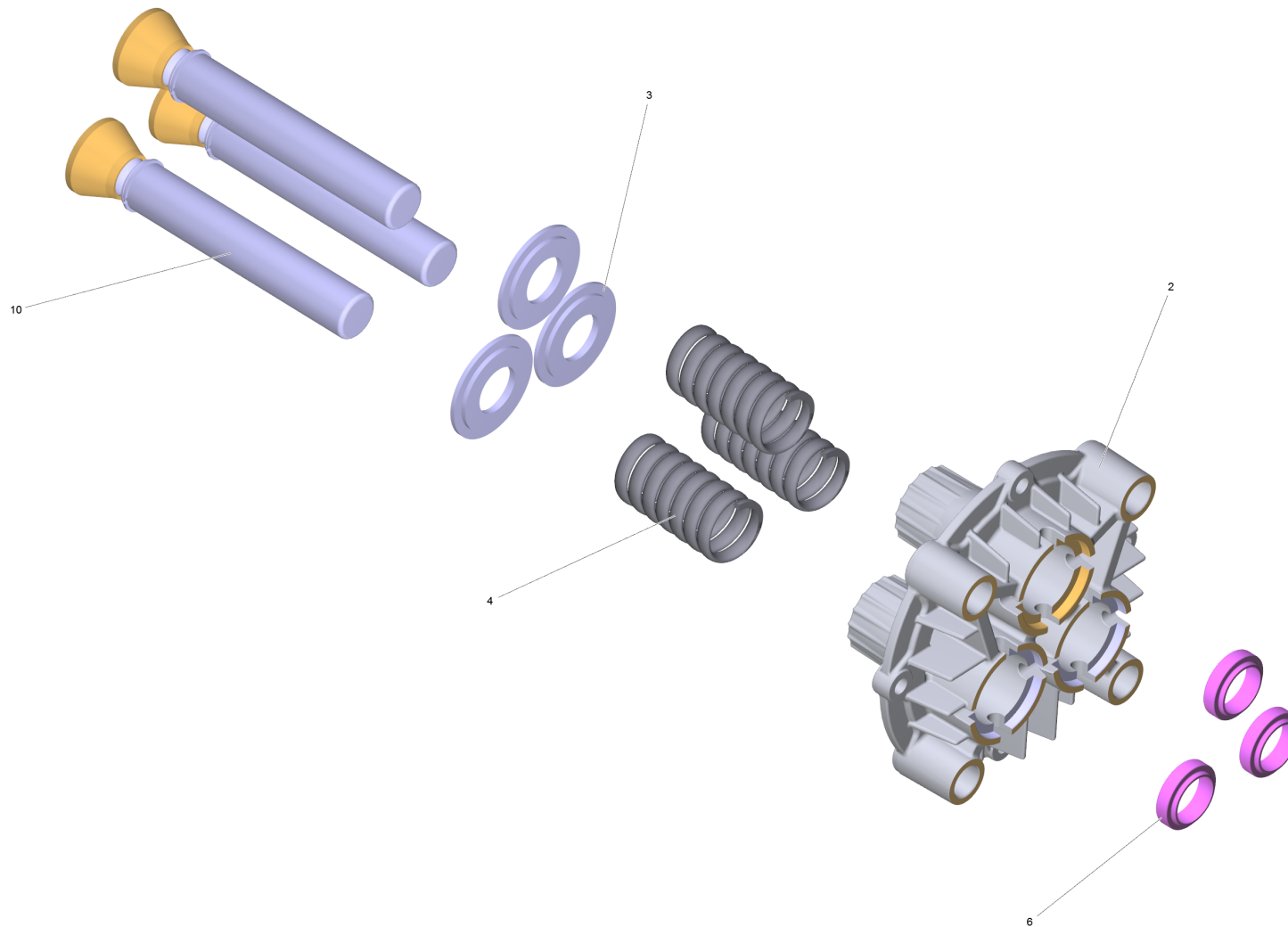
#### 4 Pump set

| POS | Article no. | Description                              | Quantity | Unit |
|-----|-------------|--|----------|------|
| 2   |             | Thrust guidance complete                 | 1.000    | ST   |
| 3   |             | Cylinder head complete                   | 1.000    | ST   |
| 5   |             | Filter complete                          | 1.000    | ST   |
| 8   | 4.744-242.0 | Switch kpl. -nur für Ersatz-             | 1.000    | ST   |
| 9   | 5.692-083.0 | Air circulation electric control box bot | 1.000    | ST   |
| 10  | 5.064-457.0 | cover plate qusty grey oil               | 1.000    | ST   |
| 11  | 5.064-176.0 | Cover                                    | 1.000    | ST   |
| 12  | 5.070-658.0 | Tank oil                                 | 1.000    | ST   |
| 13  | 5.110-341.0 | Sleeve                                   | 2.000    | ST   |
| 14  | 5.112-778.0 | Bush                                     | 3.000    | ST   |
| 15  | 5.115-255.0 | Washer                                   | 3.000    | ST   |
| 16  | 5.115-538.0 | Washer                                   | 3.000    | ST   |
| 17  | 5.322-101.0 | Handle yellow                            | 1.000    | ST   |
| 18  | 5.365-270.0 | Profile gasket                           | 1.000    | ST   |
| 20  | 5.263-051.0 | Tensioning part                          | 1.000    | ST   |
| 21  | 5.391-148.0 | Warning sign high-pressure               | 1.000    | ST   |
| 22  | 5.427-307.0 | Manifold                                 | 1.000    | ST   |
| 23  | 5.427-298.0 | Manifold short                           | 1.000    | ST   |
| 25  | 5.767-005.0 | Rubber buffer                            | 4.000    | ST   |
| 26  | 5.034-494.0 | Retaining bracket                        | 1.000    | ST   |
| 30  | 6.303-153.0 | Screw M5x15-ST-R2R (IN6RD)               | 1.000    | ST   |
| 32  | 6.362-613.0 | O-Ring seal 101,27X 2,62-NBR 70          | 1.000    | ST   |
| 33  | 6.362-722.0 | O-Ring seal 28,0 X 3,0                   | 1.000    | ST   |
| 35  | 6.362-686.0 | O-Ring seal 20,0 X 3,0                   | 2.000    | ST   |
| 36  | 6.362-406.0 | O-Ring seal 33,05X 1,78-NBR 70           | 3.000    | ST   |
| 37  | 6.362-579.0 | O-Ring seal 17,5 X 3,5                   | 2.000    | ST   |
| 39  | 6.365-380.0 | Set of gaskets low-pressure              | 3.000    | ST   |
| 43  | 6.631-190.0 | Motor protecting switch                  | 1.000    | ST   |
| 44  | 6.632-414.3 | Contacto LC1-D18V7SC090                  | 1.000    | ST   |
| 47  | 6.649-442.0 | Cable with plug                          | 1.000    | ST   |
| 50  | 7.303-031.0 | Screw M4x10 -St-P2R (In6Rd)              | 1.000    | ST   |
| 51  | 7.303-134.0 | Screw 4x8 -8.8-R2R (K-In6Rd)             | 1.000    | ST   |
| 52  | 7.303-108.0 | Screw 5x20 -10.9-R2R (In6Rd)             | 4.000    | ST   |

#### 4 Pump set

---

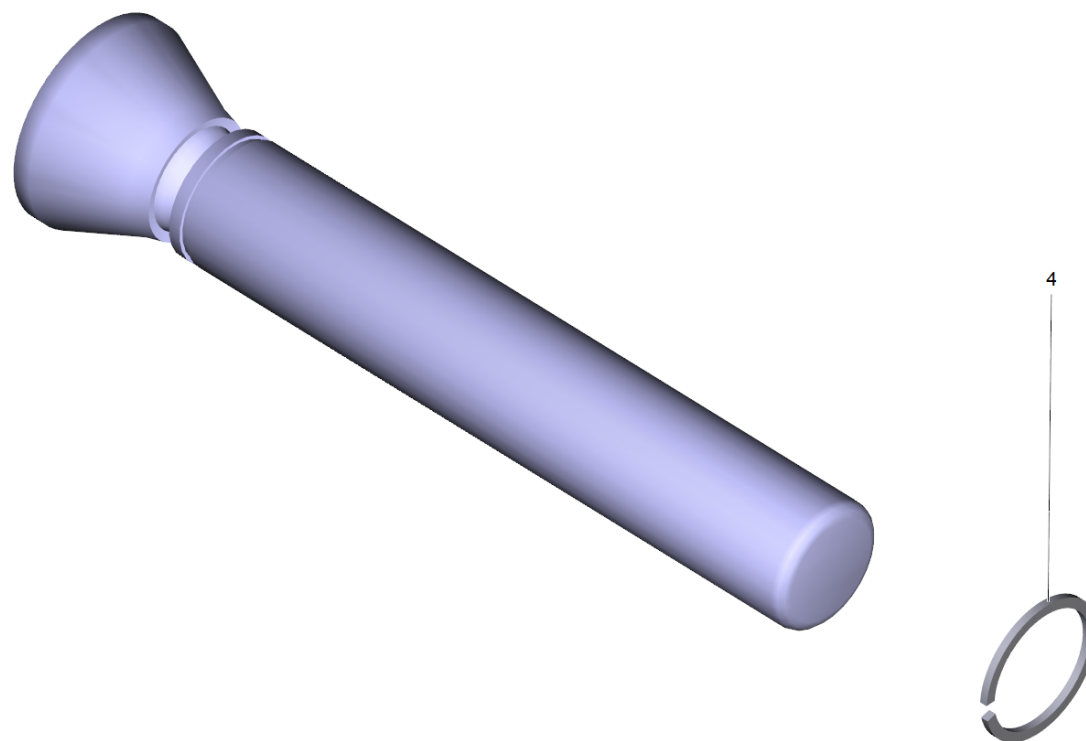
| <b>POS</b> | <b>Article no.</b> | <b>Description</b>                      | <b>Quantity</b> | <b>Unit</b> |
|------------|--------------------|---|-----------------|-------------|
| 53         | 7.306-155.0        | Cylinder head screw M12x100 -8.8-A3E IS | 4.000           | ST          |
| 54         | 7.306-105.0        | Screw M6x30 -8.8-R3R (In6Rd)            | 2.000           | ST          |
| 57         | 7.303-109.0        | Screw 5x25 -10.9-R2R (In6Rd)            | 1.000           | ST          |
| 999        | 4.623-871.0        | Motor complete only for replacement     | 1.000           | ST          |



## 2 Thrust guidance complete

---

| <b>POS</b> | <b>Article no.</b> | <b>Description</b>     | <b>Quantity</b> | <b>Unit</b> |
|------------|--------------------|------------------------|-----------------|-------------|
| 2          | 5.061-185.3        | Thrust guidance        | 1.000           | ST          |
| 3          | 5.116-310.0        | Washer                 | 3.000           | ST          |
| 4          | 5.332-550.0        | Helical spring         | 3.000           | ST          |
| 5          | 6.288-050.0        | Engine oil 1L          | 1.000           | ST          |
| 6          | 6.365-052.0        | Grooved ring 20X28X6/8 | 3.000           | ST          |
| 10         | 4.553-279.0        | Piston complete        | 3.000           | ST          |



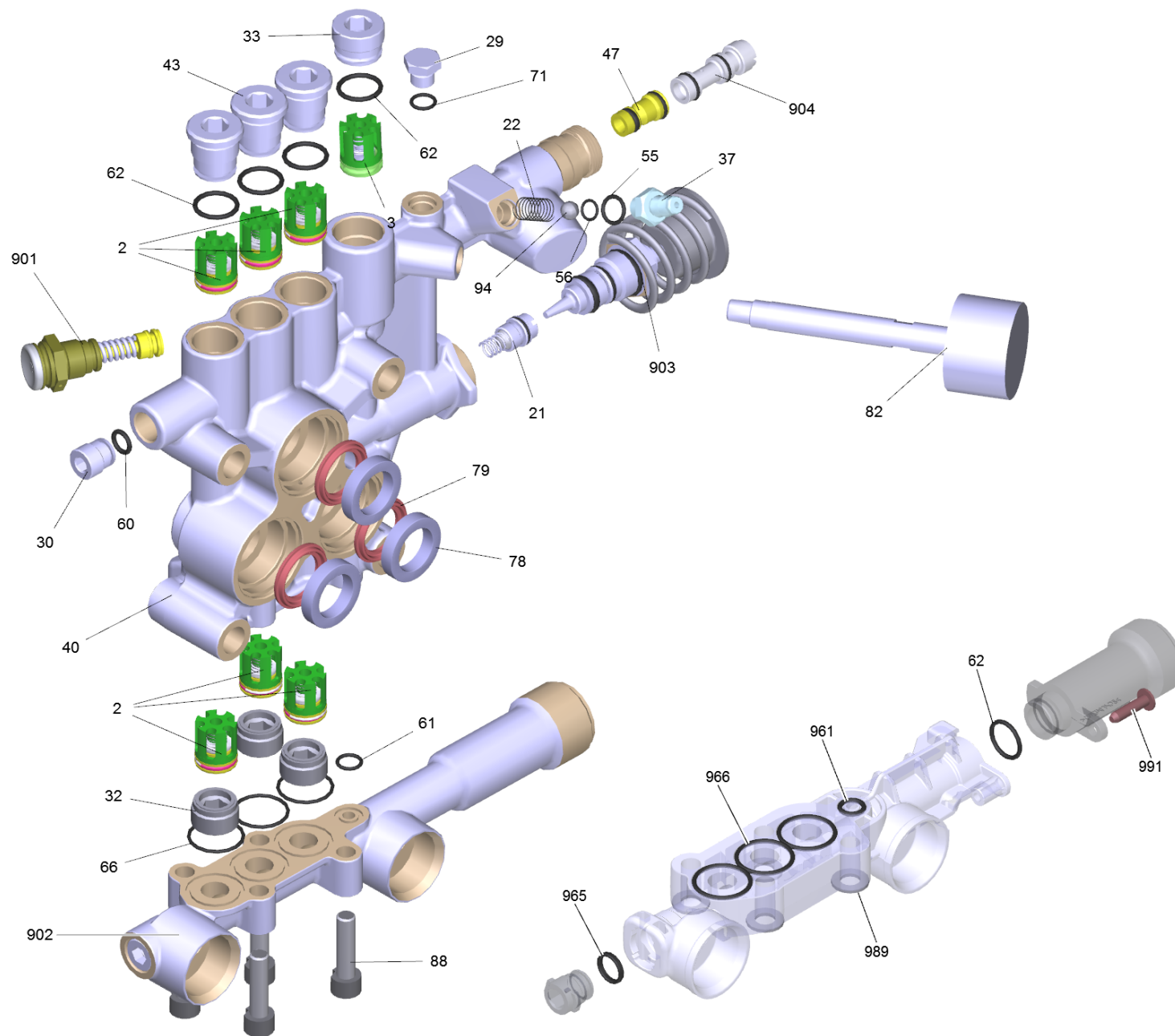
10 Piston complete (4.553-279.0)

---

| <b>POS</b> | <b>Article no.</b> | <b>Description</b> | <b>Quantity</b> | <b>Unit</b> |
|------------|--------------------|--------------------|-----------------|-------------|
| 4          | 6.472-331.0        | Snap ring 20       | 1.000           | ST          |

---

# 3 Cylinder head complete



### 3 Cylinder head complete

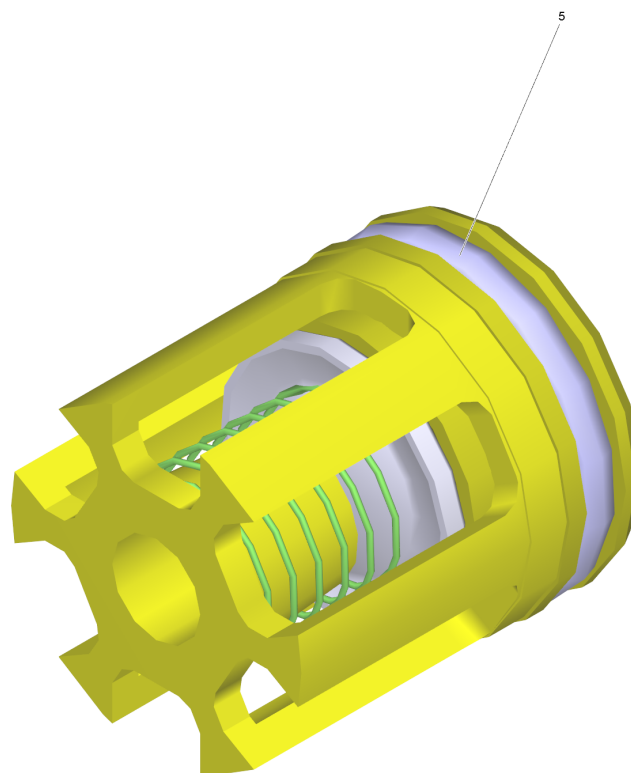
| POS | Article no. | Description                              | Quantity | Unit |
|-----|-------------|--|----------|------|
| 2   | 2.884-512.0 | Valve (3 Stueck)                         | 2.000    | ST   |
| 3   | 4.580-594.0 | Valve complete                           | 1.000    | ST   |
| 21  | 4.481-226.0 | Valve seat complete                      | 1.000    | ST   |
| 22  | 5.332-258.0 | Helical spring                           | 1.000    | ST   |
| 29  | 5.411-070.0 | Screw plug                               | 1.000    | ST   |
| 30  | 5.411-152.0 | Screw plug                               | 1.000    | ST   |
| 32  | 5.583-177.0 | Valve screw M20x1                        | 3.000    | ST   |
| 33  | 5.411-166.0 | CLOSING SCREW                            | 1.000    | ST   |
| 37  | 5.443-624.0 | Nipple                                   | 1.000    | ST   |
| 40  | 4.550-037.0 | Cylinder head only for replacement       | 1.000    | ST   |
| 43  | 5.583-146.3 | Valve screw                              | 1.000    | ST   |
| 47  | 2.884-853.0 | Spare part set nozzle insert             | 1.000    | ST   |
| 55  | 6.362-113.0 | O-Ring seal 6,0 x 2,0 NBR 70             | 1.000    | ST   |
| 56  | 6.363-597.0 | O-Ring seal 5,28 x 1,78                  | 1.000    | ST   |
| 60  | 6.362-384.0 | O-Ring seal 9x1,5 - NBR 70               | 1.000    | ST   |
| 61  | 6.362-388.0 | O-Ring seal 8,0x1,5 -EPDM 70             | 1.000    | ST   |
| 62  | 6.362-481.0 | O-Ring seal 14,0 x 2,0 NBR 80            | 5.000    | ST   |
| 66  | 6.362-547.0 | O-Ring seal 20,0x1,5-NBR 70              | 3.000    | ST   |
| 71  | 6.362-690.0 | O-Ring seal 7x2 - NBR 70                 | 1.000    | ST   |
| 78  | 6.365-377.0 | Grooved ring 20x30x6                     | 3.000    | ST   |
| 79  | 6.365-378.0 | Supportring 20x30x4,2                    | 3.000    | ST   |
| 82  | 4.423-024.0 | Pressure gauge complete                  | 1.000    | ST   |
| 85  | 6.869-008.0 | Metal bonding agent middle fixed Loctite | 1.000    | ZST  |
| 88  | 7.306-043.0 | Cylinder head screw M8x30 -8.8-A2E ISO   | 4.000    | ST   |
| 94  | 7.401-908.0 | Sphere 7 G300 -1.4301 DIN 5401           | 1.000    | ST   |
| 901 | 2.883-988.0 | SPARE PARTS SET                          | 1.000    | ST   |
| 902 | 4.427-310.0 | Manifold complete                        | 1.000    | ST   |
| 903 | 4.591-056.0 | Set excess-current                       | 1.000    | ST   |
| 904 | 4.769-026.0 | Nozzle insert                            | 1.000    | ST   |
| 961 | 6.363-438.0 | O-Ring seal 8,0x2,2                      | 1.000    | ST   |
| 965 | 6.362-077.0 | O-Ring seal 10 x 2,2 NBR 70              | 1.000    | ST   |
| 966 | 5.365-371.0 | Profile gasket                           | 1.000    | ST   |
| 989 | 7.312-017.0 | Washer 8-A2 ISO 7089                     | 4.000    | ST   |



3 Cylinder head complete

---

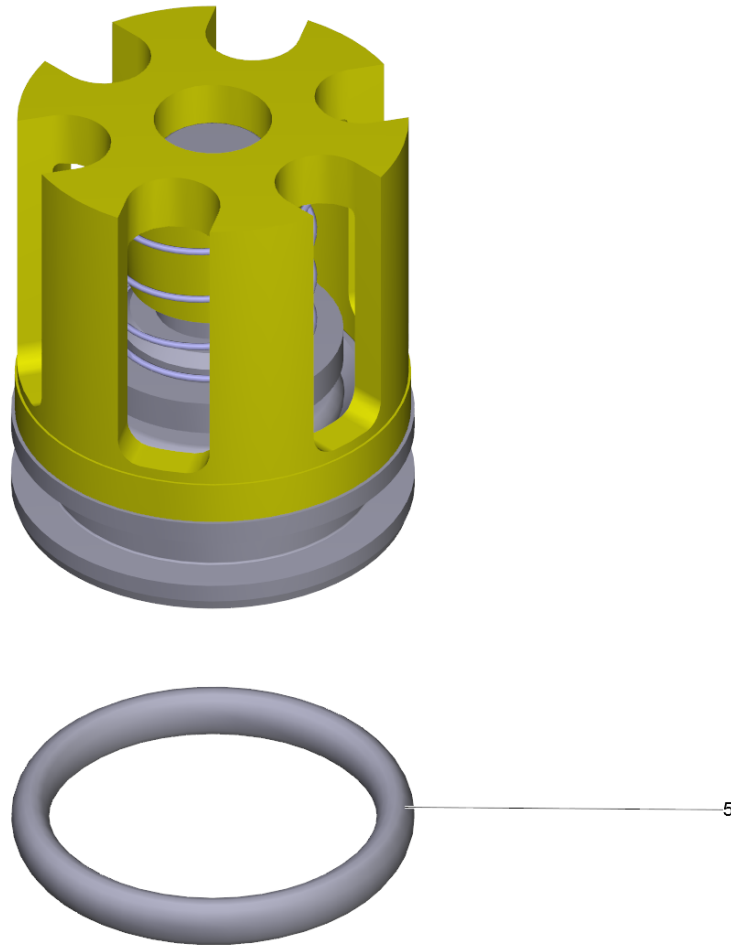
| <b>POS</b> | <b>Article no.</b> | <b>Description</b>           | <b>Quantity</b> | <b>Unit</b> |
|------------|--------------------|------------------------------|-----------------|-------------|
| 991        | 7.303-108.0        | Screw 5x20 -10.9-R2R (In6Rd) | 1.000           | ST          |



2 Valve (3 Stueck) (2.884-512.0)

---

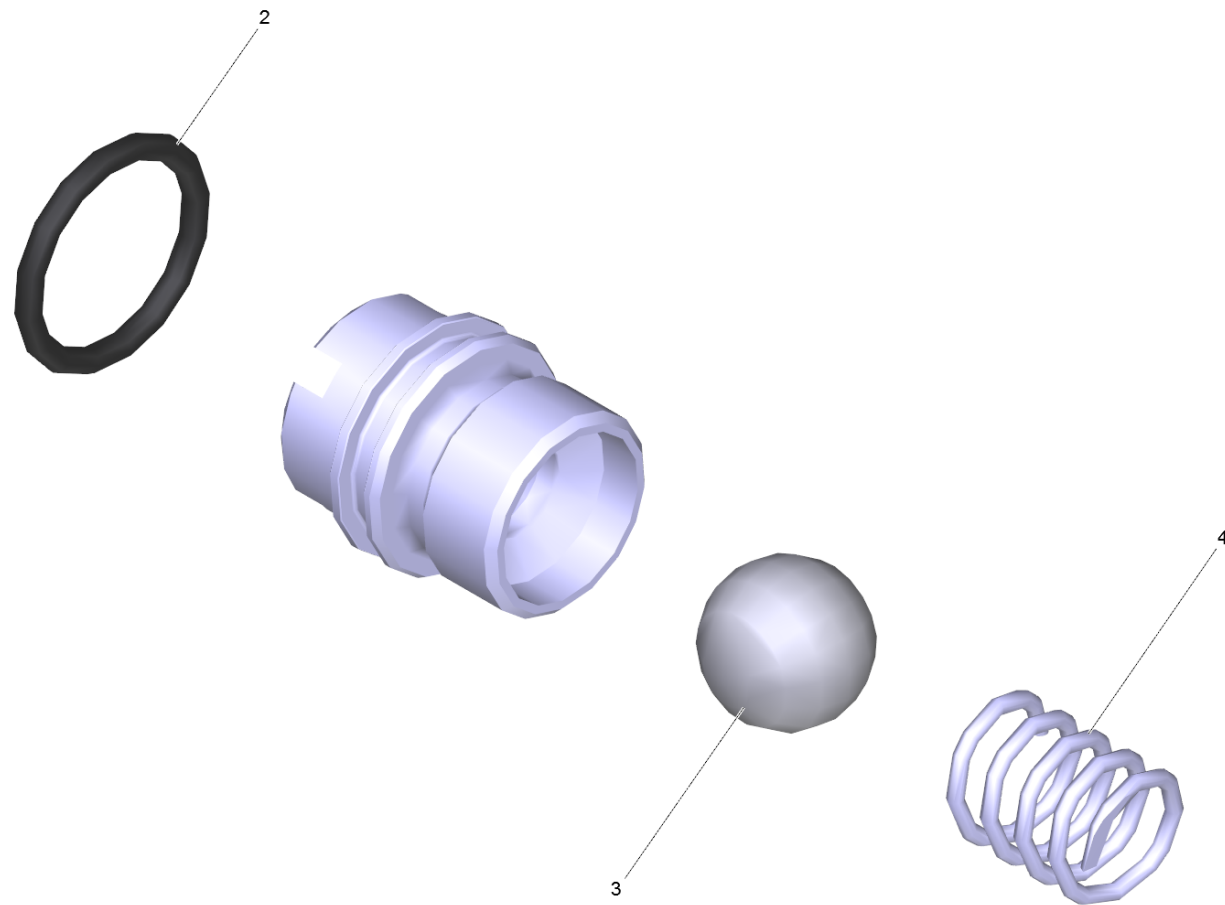
| POS | Article no. | Description                   | Quantity | Unit |
|-----|-------------|-------------------------------|----------|------|
| 5   | 6.363-003.0 | O-Ring seal 13,0 X 2,0-NBR 90 | 1.000    | ST   |



3 Valve complete (4.580-594.0)

---

| POS | Article no. | Description               | Quantity | Unit |
|-----|-------------|---------------------------|----------|------|
| 5   | 6.362-381.0 | O-Ring seal 13x2 - NBR 70 | 1.000    | ST   |



21 Valve seat complete (4.481-226.0)

---

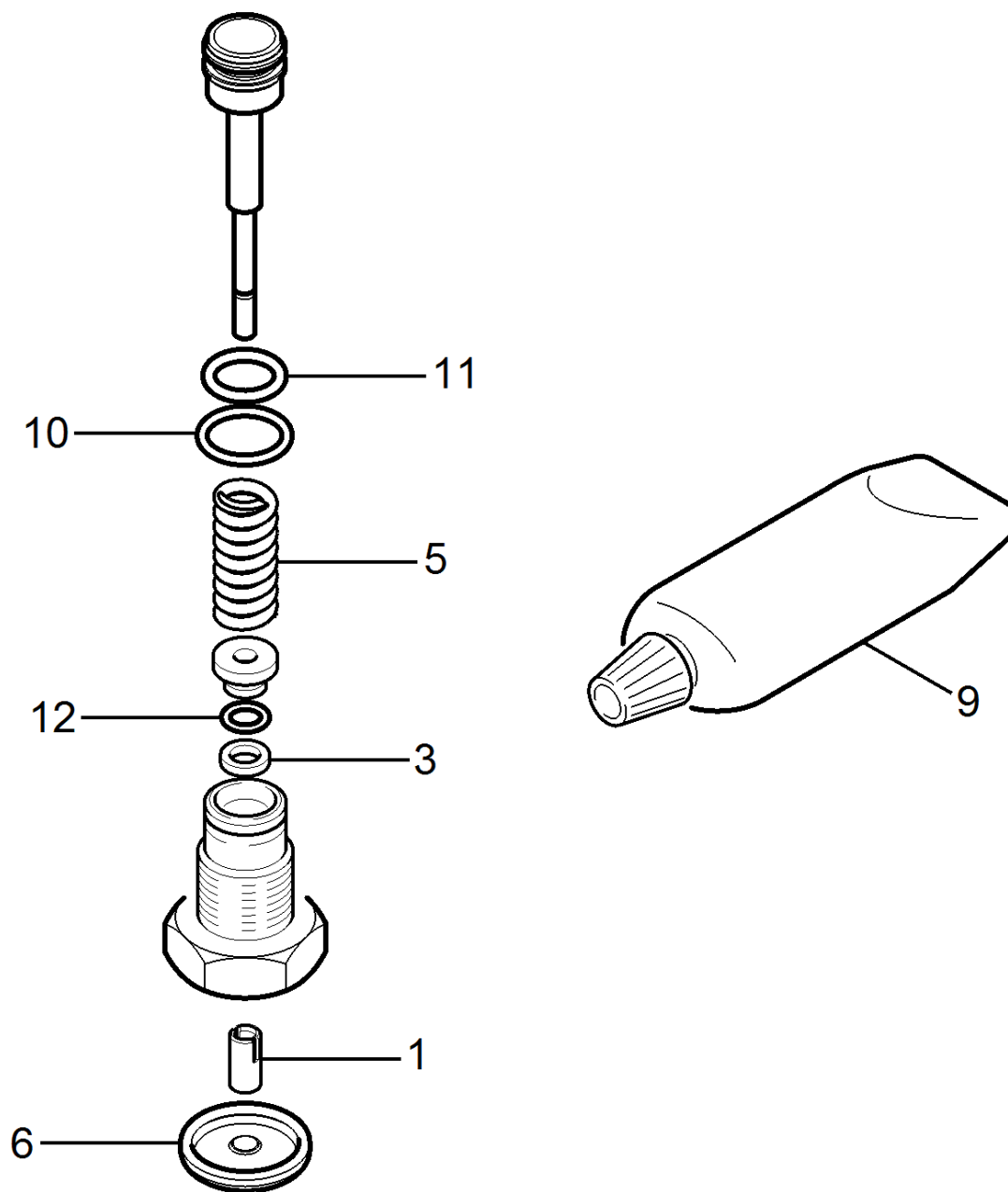
| <b>POS</b> | <b>Article no.</b> | <b>Description</b>              | <b>Quantity</b> | <b>Unit</b> |
|------------|--------------------|---------------------------------|-----------------|-------------|
| 2          | 6.362-858.0        | O-Ring seal 11,0 X 1,5          | 1.000           | ST          |
| 3          | 7.401-907.0        | Sphere 3/8 G200-1.4301 DIN 5401 | 1.000           | ST          |
| 4          | 5.332-999.0        | Helical spring                  | 1.000           | ST          |

82 Pressure gauge complete (4.423-024.0)

---

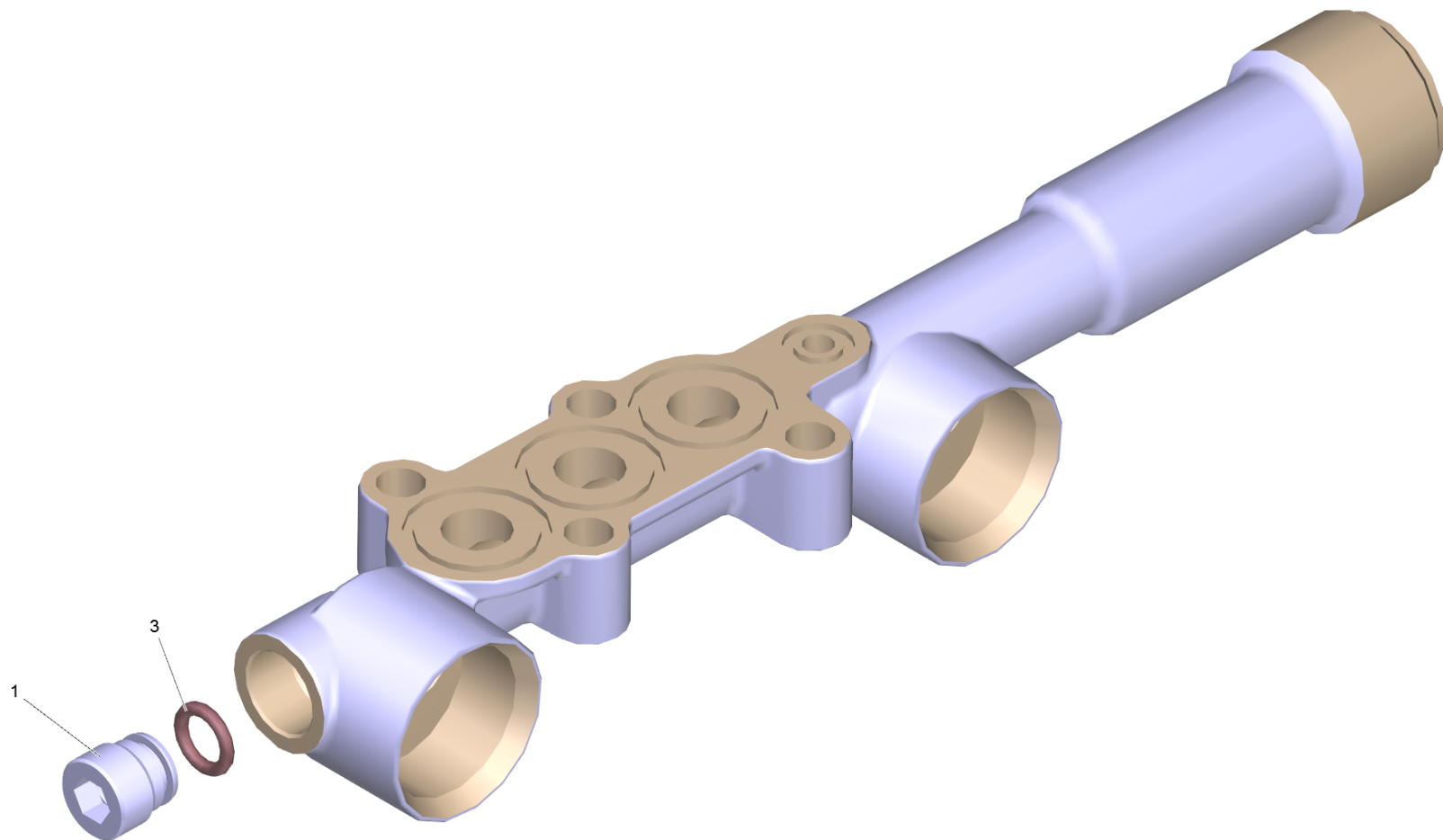
| <b>POS</b> | <b>Article no.</b> | <b>Description</b>                   | <b>Quantity</b> | <b>Unit</b> |
|------------|--------------------|--------------------------------------|-----------------|-------------|
| 3          | 6.376-036.0        | Label spare parts neutrally 65x55 MM | 2.000           | ZST         |





## 901 SPARE PARTS SET (2.883-988.0)

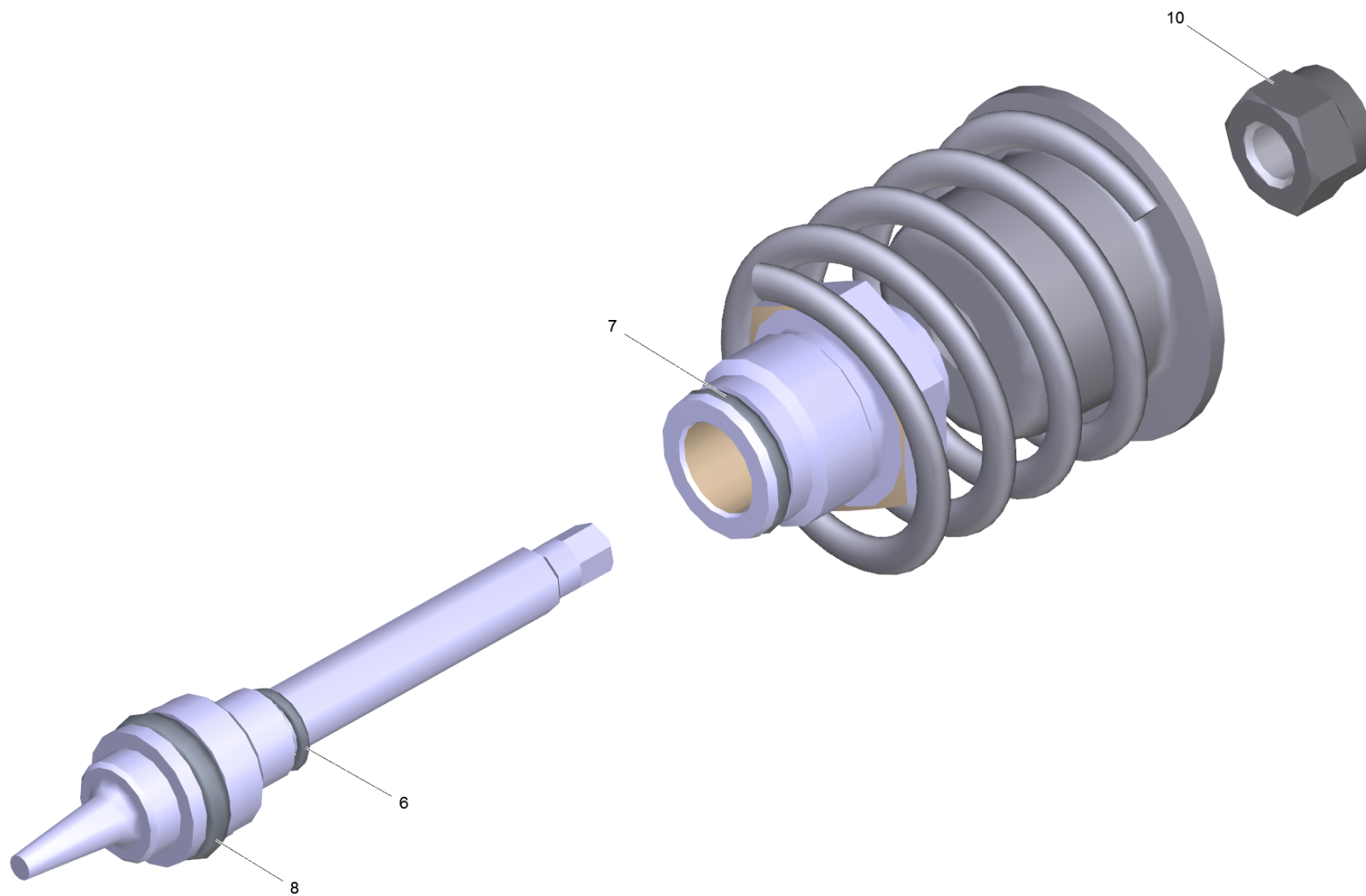
| POS | Article no. | Description                  | Quantity | Unit |
|-----|-------------|------------------------------|----------|------|
| 1   | 5.110-947.0 | Sleeve                       | 1.000    | ST   |
| 3   | 5.114-513.0 | Supportring                  | 1.000    | ST   |
| 5   | 5.332-511.0 | Helical spring               | 1.000    | ST   |
| 6   | 5.367-030.0 | Diaphragm                    | 1.000    | ST   |
| 9   | 6.288-044.0 | Silicon grease 100 G         | 1.000    | ST   |
| 10  | 6.363-615.0 | O-Ring seal 11 x 1,5 -NBR70  | 1.000    | ST   |
| 11  | 6.363-611.0 | O-Ring seal 8,73 x 1,78 -NBR | 1.000    | ST   |
| 12  | 6.363-241.0 | O-Ring seal 2,90x1,78        | 1.000    | ST   |



902 Manifold complete (4.427-310.0)

---

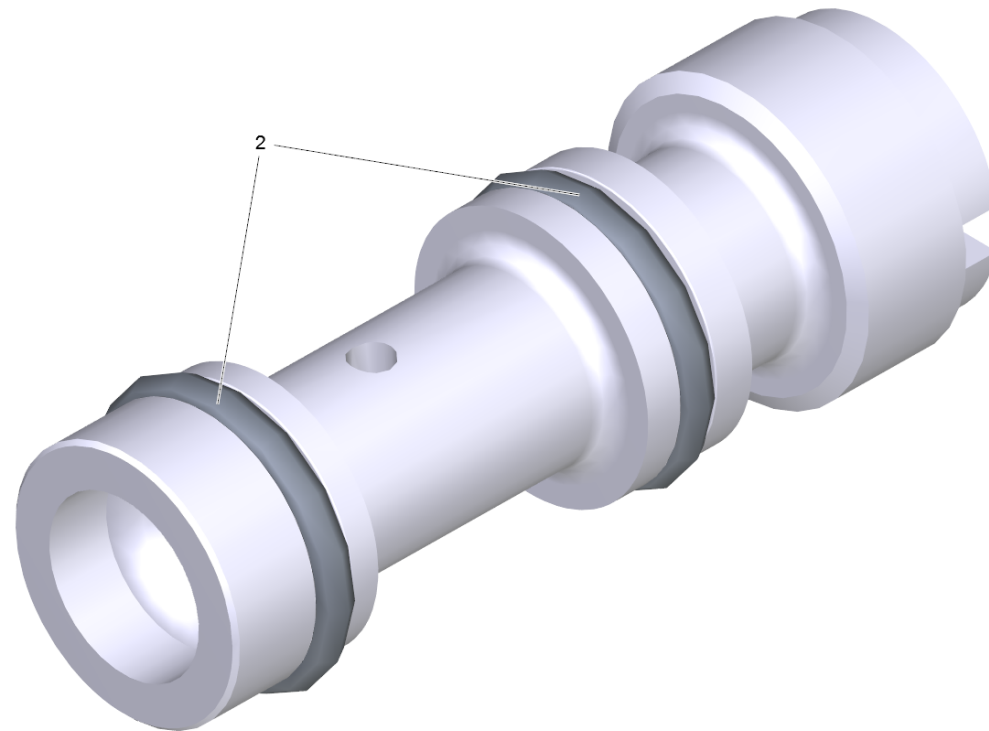
| <b>POS</b> | <b>Article no.</b> | <b>Description</b>    | <b>Quantity</b> | <b>Unit</b> |
|------------|--------------------|-----------------------|-----------------|-------------|
| 1          | 5.411-168.0        | Valve screw M16x1     | 1.000           | ST          |
| 3          | 6.362-528.0        | O-Ring seal 9,5 X 2,0 | 1.000           | ST          |



903 Set excess-current (4.591-056.0)

---

| <b>POS</b> | <b>Article no.</b> | <b>Description</b>                      | <b>Quantity</b> | <b>Unit</b> |
|------------|--------------------|---|-----------------|-------------|
| 6          | 6.362-365.0        | O-Ring seal complete 1ST.-R.- 7,65X 1,7 | 1.000           | ST          |
| 7          | 6.362-381.0        | O-Ring seal 13x2 - NBR 70               | 1.000           | ST          |
| 8          | 6.362-575.0        | O-Ring seal 12,42 KOMPL                 | 1.000           | ST          |
| 10         | 7.311-510.0        | Hexagon nut M 8-8-A2E ISO 7040          | 1.000           | ST          |

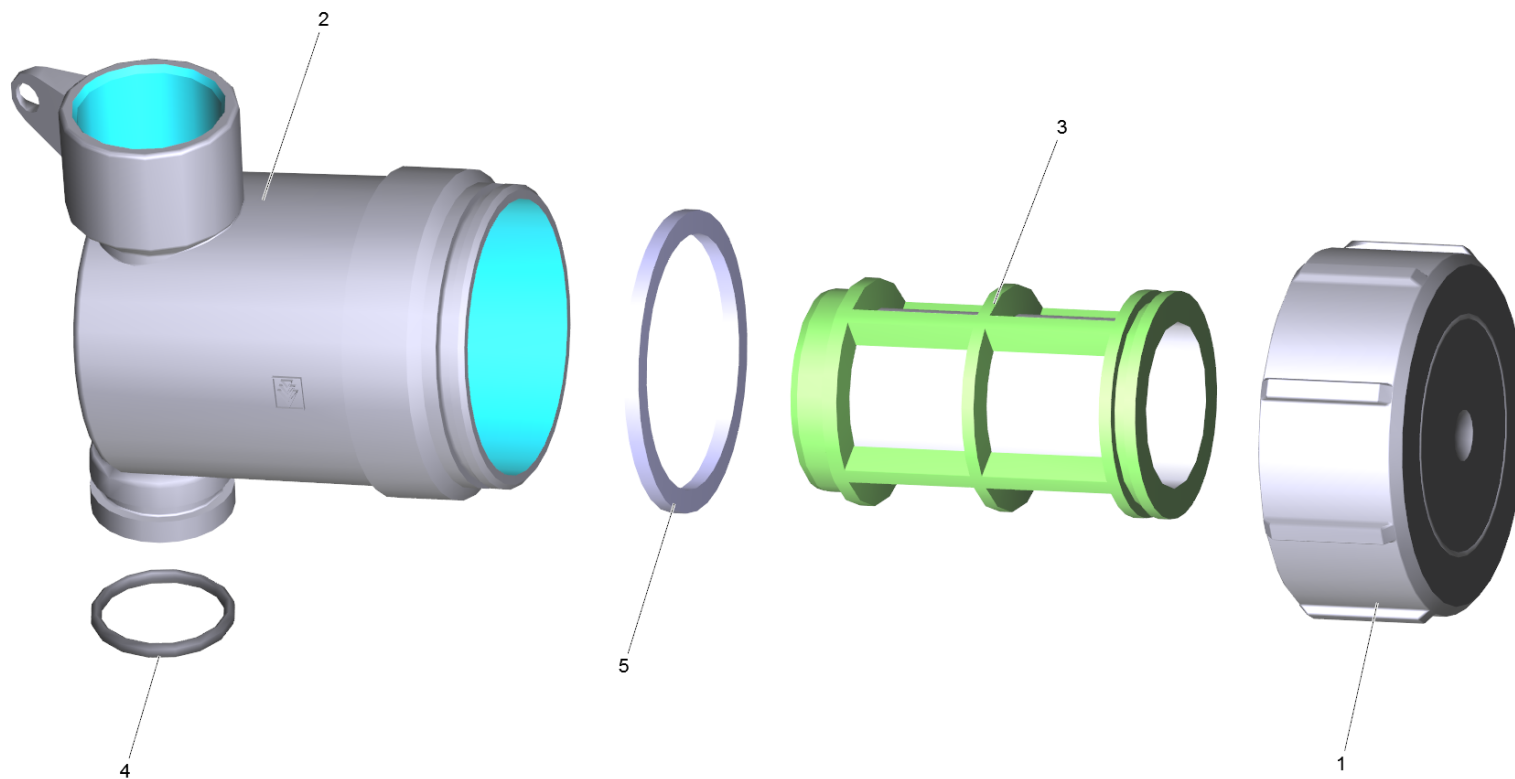


904 Nozzle insert (4.769-026.0)

---

| POS | Article no. | Description                | Quantity | Unit |
|-----|-------------|----------------------------|----------|------|
| 2   | 6.362-384.0 | O-Ring seal 9x1,5 - NBR 70 | 2.000    | ST   |

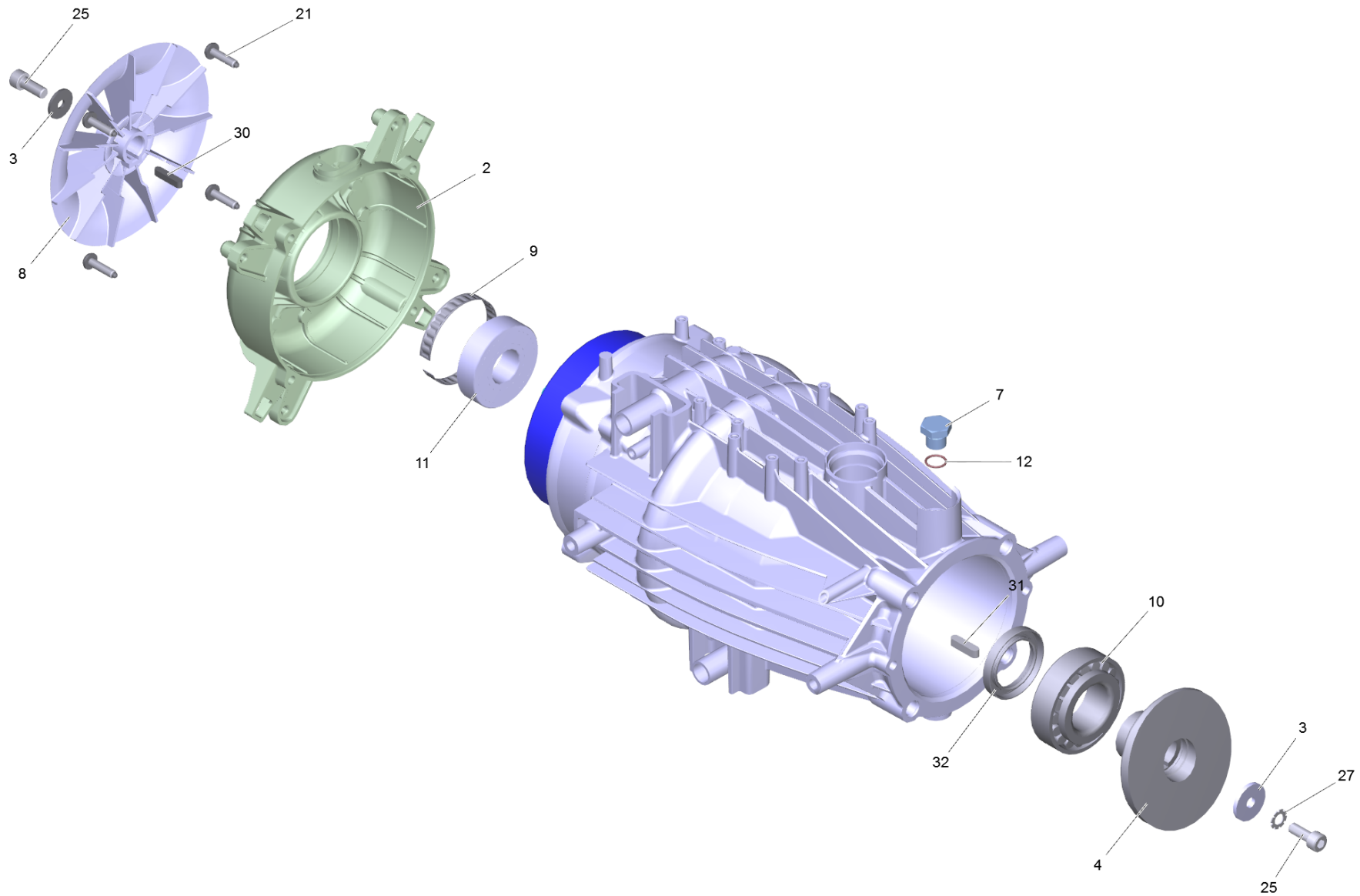




## 5 Filter complete

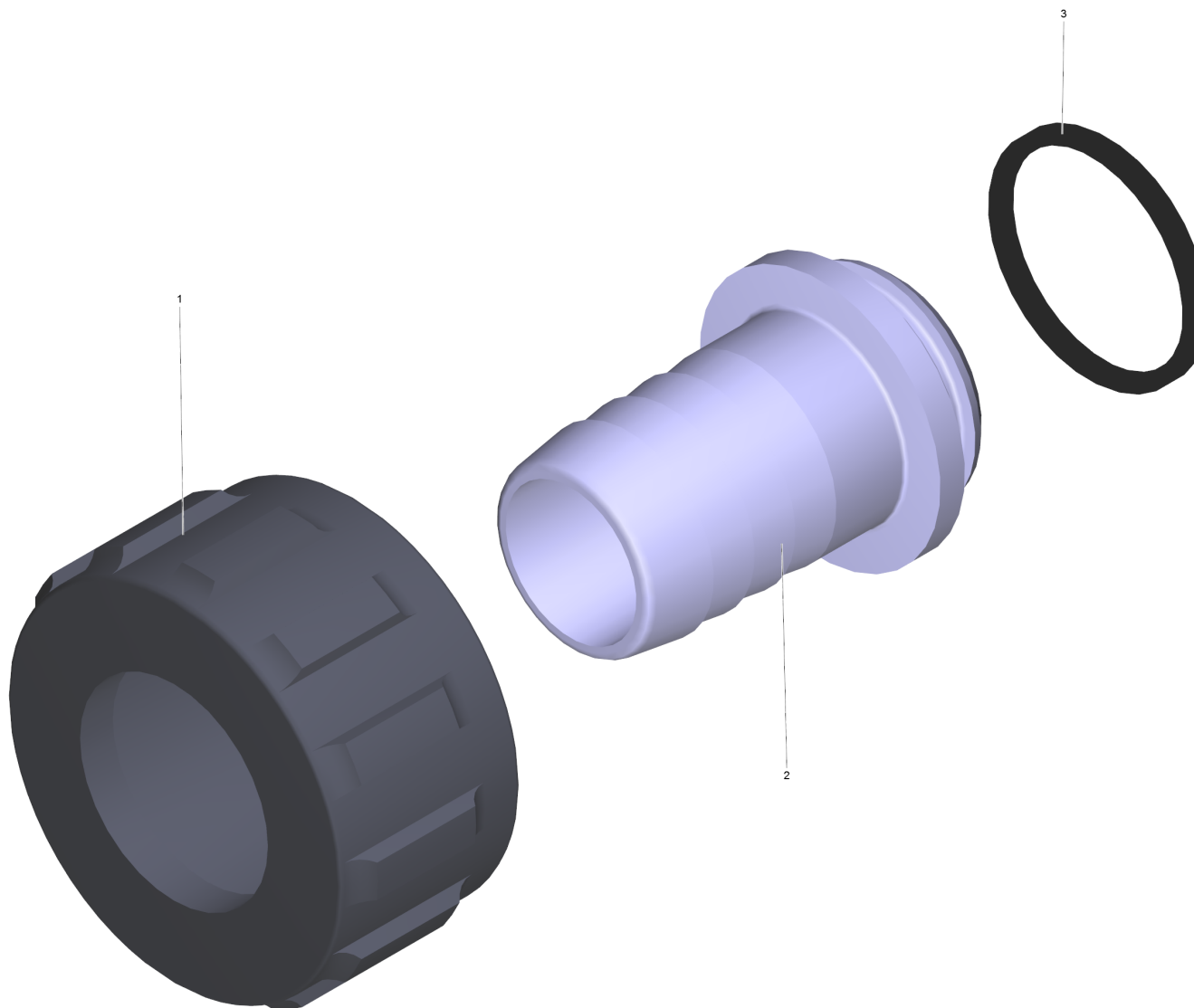
---

| <b>POS</b> | <b>Article no.</b> | <b>Description</b>     | <b>Quantity</b> | <b>Unit</b> |
|------------|--------------------|------------------------|-----------------|-------------|
| 1          | 5.064-453.0        | Cover qusty grey       | 1.000           | ST          |
| 2          | 5.605-348.0        | Filter housing         | 1.000           | ST          |
| 3          | 6.414-949.0        | Filter cartridge       | 1.000           | ST          |
| 4          | 6.362-686.0        | O-Ring seal 20,0 X 3,0 | 1.000           | ST          |
| 5          | 5.363-613.0        | Seal                   | 1.000           | ST          |



999 Motor complete only for replacement (4.623-871.0)

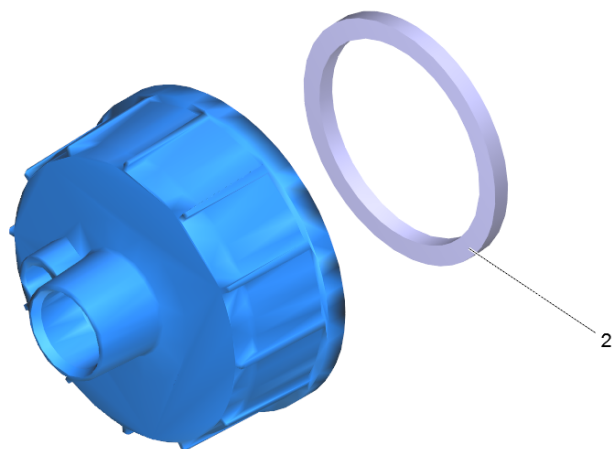
| POS | Article no. | Description                             | Quantity | Unit |
|-----|-------------|---|----------|------|
| 2   | 5.061-186.0 | Bearing cover B                         | 1.000    | ST   |
| 3   | 5.115-565.0 | Washer                                  | 2.000    | ST   |
| 4   | 4.120-239.0 | Wobble plate -nur für Ersatz-           | 1.000    | ST   |
| 7   | 5.411-100.0 | Screw plug                              | 1.000    | ST   |
| 8   | 5.600-082.0 | Blower wheel                            | 1.000    | ST   |
| 9   | 6.343-010.0 | Tolerance ring 62x10                    | 1.000    | ST   |
| 10  | 6.401-405.0 | Taper roller bearing                    | 1.000    | ST   |
| 11  | 6.401-253.0 | Ball bearing 6305-2Z                    | 1.000    | ST   |
| 12  | 6.362-028.0 | O-Ring seal 11x2,2 NBR 70               | 1.000    | ST   |
| 17  | 6.869-072.0 | Metal bonding agent                     | 0.001    | ZST  |
| 21  | 6.303-515.0 | Self-tapping screw M6x25                | 4.000    | ST   |
| 25  | 7.306-041.0 | Cylinder head screw M8x20 -8.8-A2E ISO  | 2.000    | ST   |
| 27  | 7.312-159.0 | Toothed lock washer A8,4-FST-PH DIN 679 | 1.000    | ST   |
| 30  | 7.318-079.0 | Parallel key A 5x5x25-C45K DIN 6885     | 1.000    | ST   |
| 31  | 7.318-030.0 | Parallel key 6x6x25 -C45K DIN 6885-1    | 1.000    | ST   |
| 32  | 7.367-009.0 | Radial shaft seal ring A35x52x7-NBR DIN | 1.000    | ST   |



20 Set water connection 1 " (2.640-492.0)

---

| POS | Article no. | Description            | Quantity | Unit |
|-----|-------------|------------------------|----------|------|
| 1   | 5.310-076.0 | Nut                    | 1.000    | ST   |
| 2   | 5.443-291.0 | Hose stem              | 1.000    | ST   |
| 3   | 6.362-161.0 | O-Ring seal 19,3 X 2,4 | 1.000    | ST   |



65 Cover cleaning agents complete (4.060-866.0)

---

| <b>POS</b> | <b>Article no.</b> | <b>Description</b> | <b>Quantity</b> | <b>Unit</b> |
|------------|--------------------|--------------------|-----------------|-------------|
| 2          | 6.363-304.0        | Seal               | 1.000           | ST          |

---

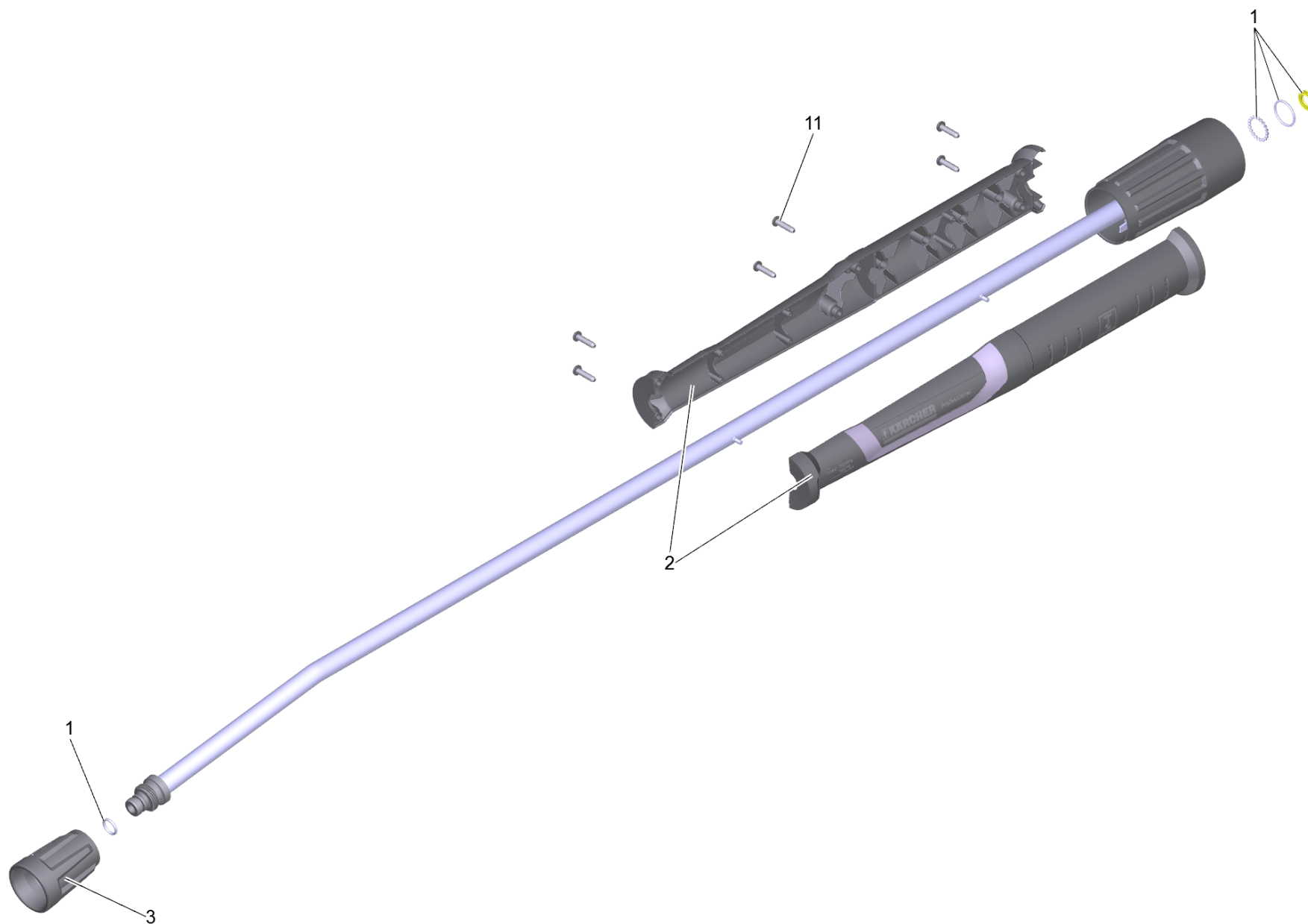


903 Jet pipe TR 1050 mm (4.112-000.0)

---

| POS | Description         | Quantity | Unit |
|-----|---------------------|----------|------|
| 1   | Jet pipe TR 1050 mm | 1.000    | ST   |

---



1 Jet pipe TR 1050 mm

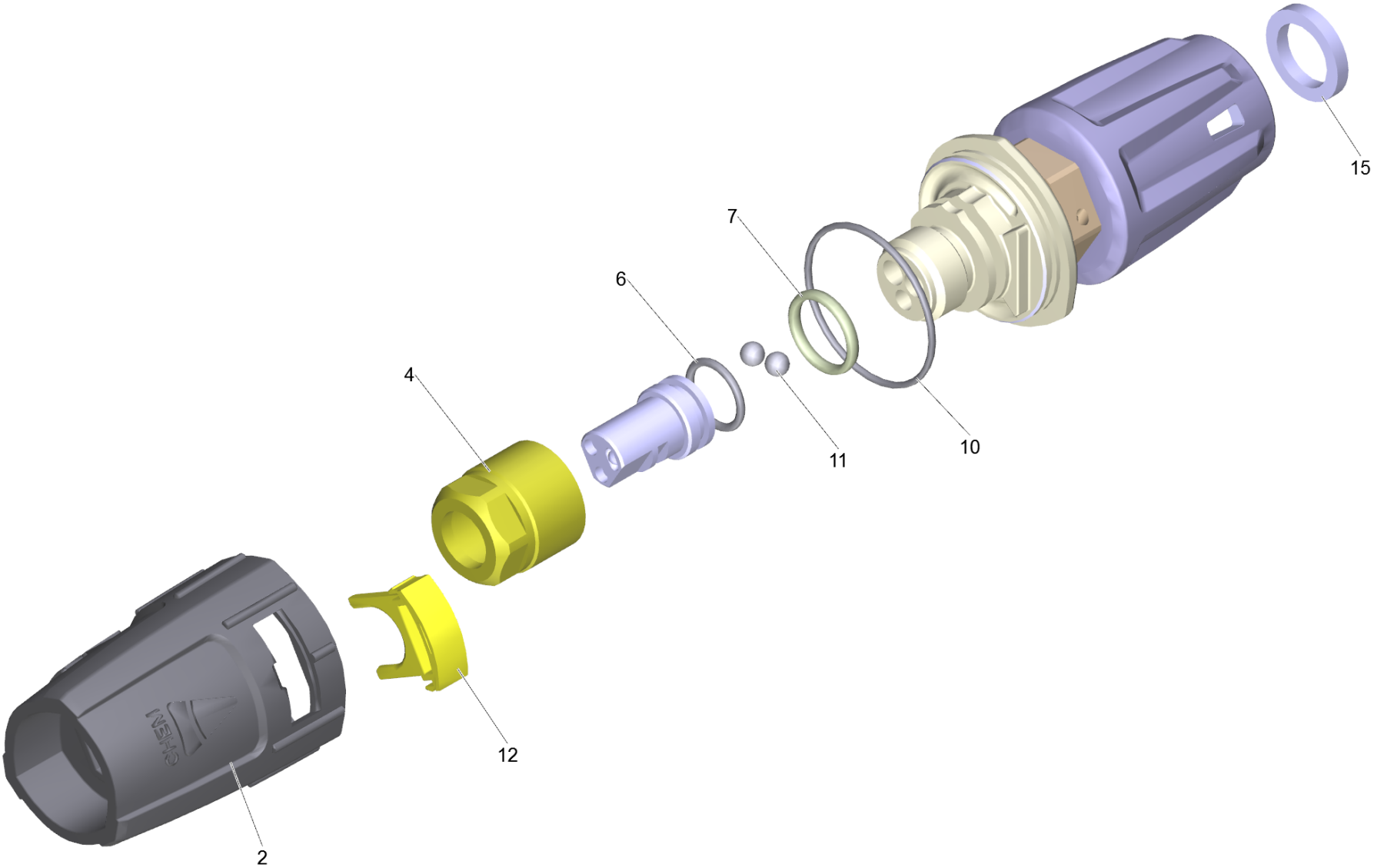
---

| <b>POS</b> | <b>Article no.</b> | <b>Description</b>                       | <b>Quantity</b> | <b>Unit</b> |
|------------|--------------------|--|-----------------|-------------|
| 1          | 4.100-688.0        | Spare part set seal TR                   | 1.000           | ST          |
| 2          | 5.321-018.3        | Handle bowl jet pipe only for replacemen | 1.000           | ST          |
| 3          | 4.112-011.0        | Protection part TR only for replacement  | 1.000           | ST          |
| 11         | 7.303-129.0        | Screw 4x16 -10.9-R2R (K-In6Rd)           | 6.000           | ST          |

904 Triple jet nozzle TR 050 (4.117-037.0)

---

| POS | Description              | Quantity | Unit |
|-----|--------------------------|----------|------|
| 1   | Triple jet nozzle TR 050 | 1.000    | ST   |



## 1 Triple jet nozzle TR 050

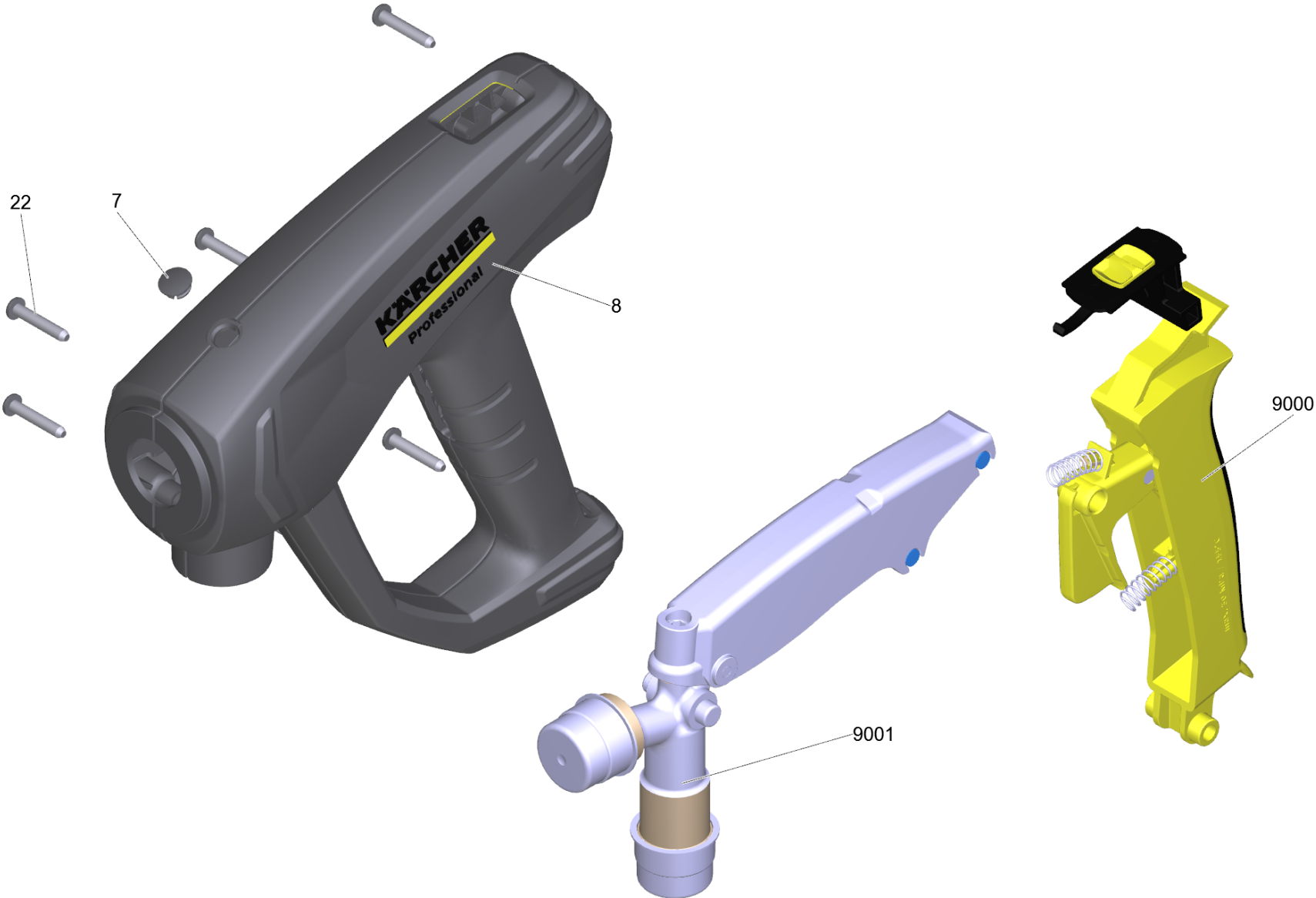
---

| <b>POS</b> | <b>Article no.</b> | <b>Description</b>            | <b>Quantity</b> | <b>Unit</b> |
|------------|--------------------|-------------------------------|-----------------|-------------|
| 2          | 5.394-859.0        | Protection part               | 1.000           | ST          |
| 4          | 5.311-225.0        | Nut                           | 1.000           | ST          |
| 6          | 6.362-480.0        | O-Ring seal 12,42x 1,78       | 1.000           | ST          |
| 7          | 6.362-460.0        | O-Ring seal 14,0 X 2,5-NBR 70 | 1.000           | ST          |
| 10         | 6.362-409.0        | O-Ring seal 32,0 X 1,5        | 1.000           | ST          |
| 11         | 7.401-902.0        | Sphere 5 G20 -1.4034 DIN 5401 | 2.000           | ST          |
| 12         | 5.321-884.0        | Clamp                         | 1.000           | ST          |
| 15         | 6.363-696.0        | Brake ring 14x20x3            | 1.000           | ST          |

905 EASY!Force Advanced (4.118-005.0)

---

| POS | Description                | Quantity | Unit |
|-----|----------------------------|----------|------|
| 1   | Hand trigger gun TR EH 155 | 1.000    | ST   |

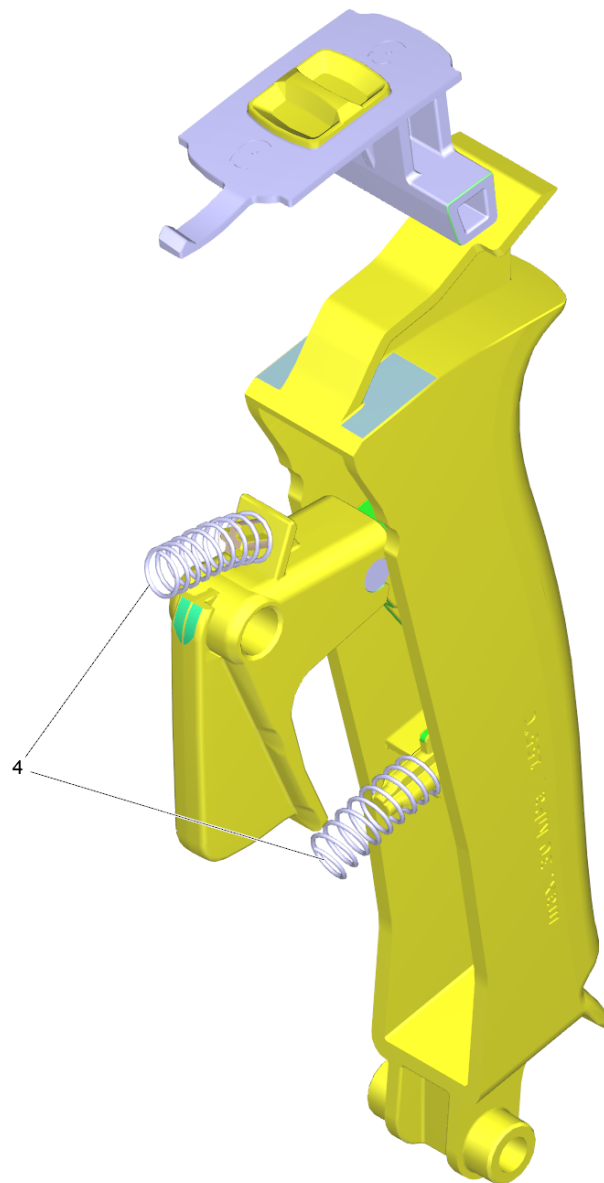




## 1 Hand trigger gun TR EH 155

---

| <b>POS</b> | <b>Article no.</b> | <b>Description</b>                       | <b>Quantity</b> | <b>Unit</b> |
|------------|--------------------|--|-----------------|-------------|
| 7          | 5.132-001.0        | Plug                                     | 1.000           | ST          |
| 8          | 5.321-136.3        | Handhold few EH 155 only for replacement | 1.000           | ST          |
| 22         | 7.303-096.0        | Screw 4x22 -ST-10.9-R2R (IN6RD)          | 7.000           | ST          |
| 9000       | 2.885-483.0        | Spare part set lever                     | 1.000           | ST          |
| 9001       | 4.427-014.0        | Manifold TR EH 155 nur fuer Ersatz       | 1.000           | ST          |



9000 Spare part set lever (2.885-483.0)

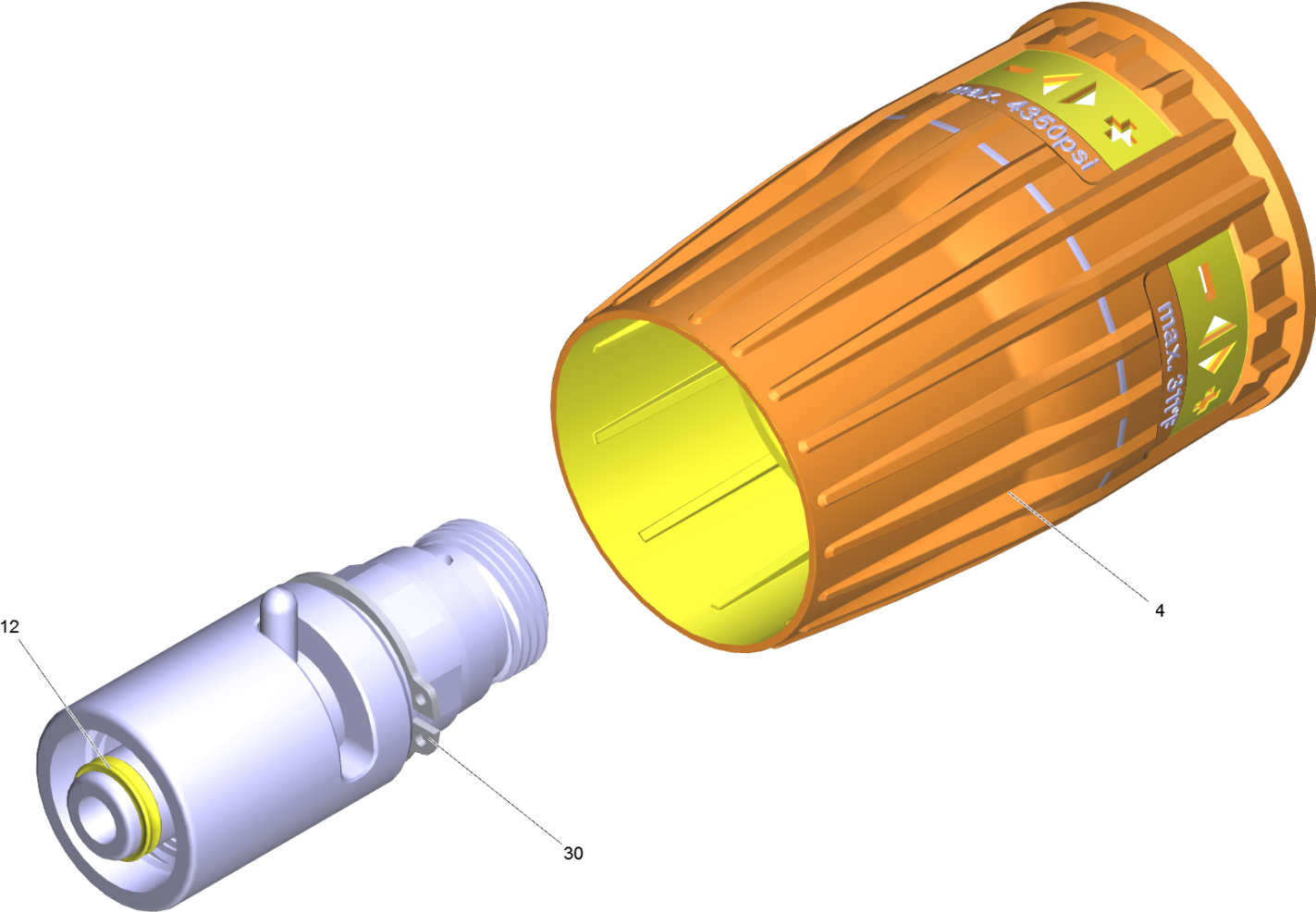
---

| <b>POS</b> | <b>Article no.</b> | <b>Description</b> | <b>Quantity</b> | <b>Unit</b> |
|------------|--------------------|--------------------|-----------------|-------------|
| 4          | 5.332-032.0        | Helical spring     | 2.000           | ST          |

906 Rotary controller TR 416L (4.118-008.0)

---

| POS | Description               | Quantity | Unit |
|-----|---------------------------|----------|------|
| 1   | Rotary controller TR 416L | 1.000    | ST   |



## 1 Rotary controller TR 416L

---

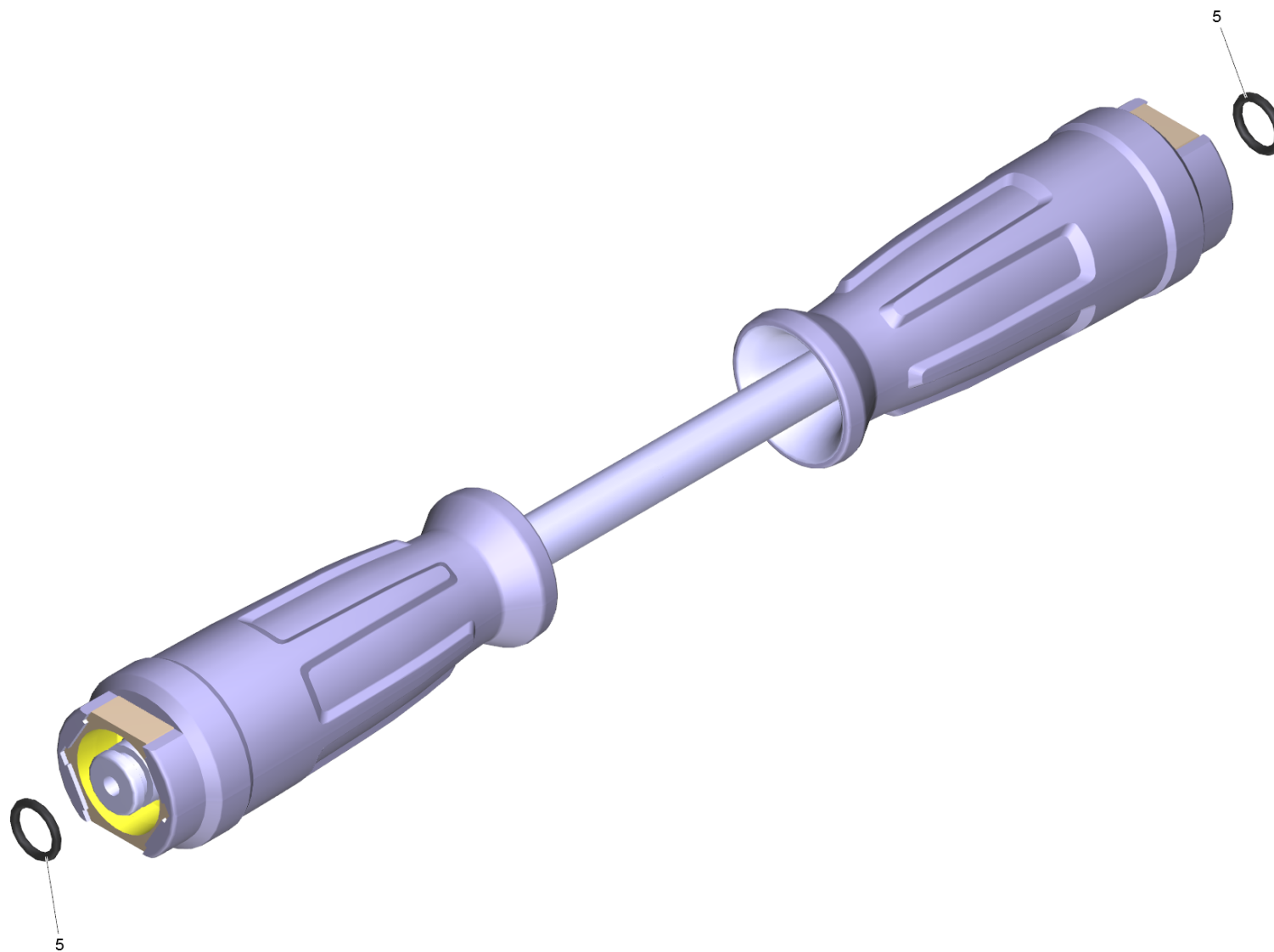
| <b>POS</b> | <b>Article no.</b> | <b>Description</b>                 | <b>Quantity</b> | <b>Unit</b> |
|------------|--------------------|------------------------------------|-----------------|-------------|
| 4          | 5.321-364.3        | Handhold rotary controller         | 1.000           | ST          |
| 12         | 2.880-001.0        | Spare part set seals TR            | 1.000           | ST          |
| 30         | 7.343-069.0        | Locking ring 25x1,2-1.4122 DIN 471 | 1.000           | ST          |

907 Hose assembly TR rotatable DN8 31,5MPa 1 (6.110-031.0)

---

| POS | Description                              | Quantity | Unit |
|-----|--|----------|------|
| 1   | Hose assembly TR rotatable DN8 31,5MPa 1 | 1.000    | ST   |

---



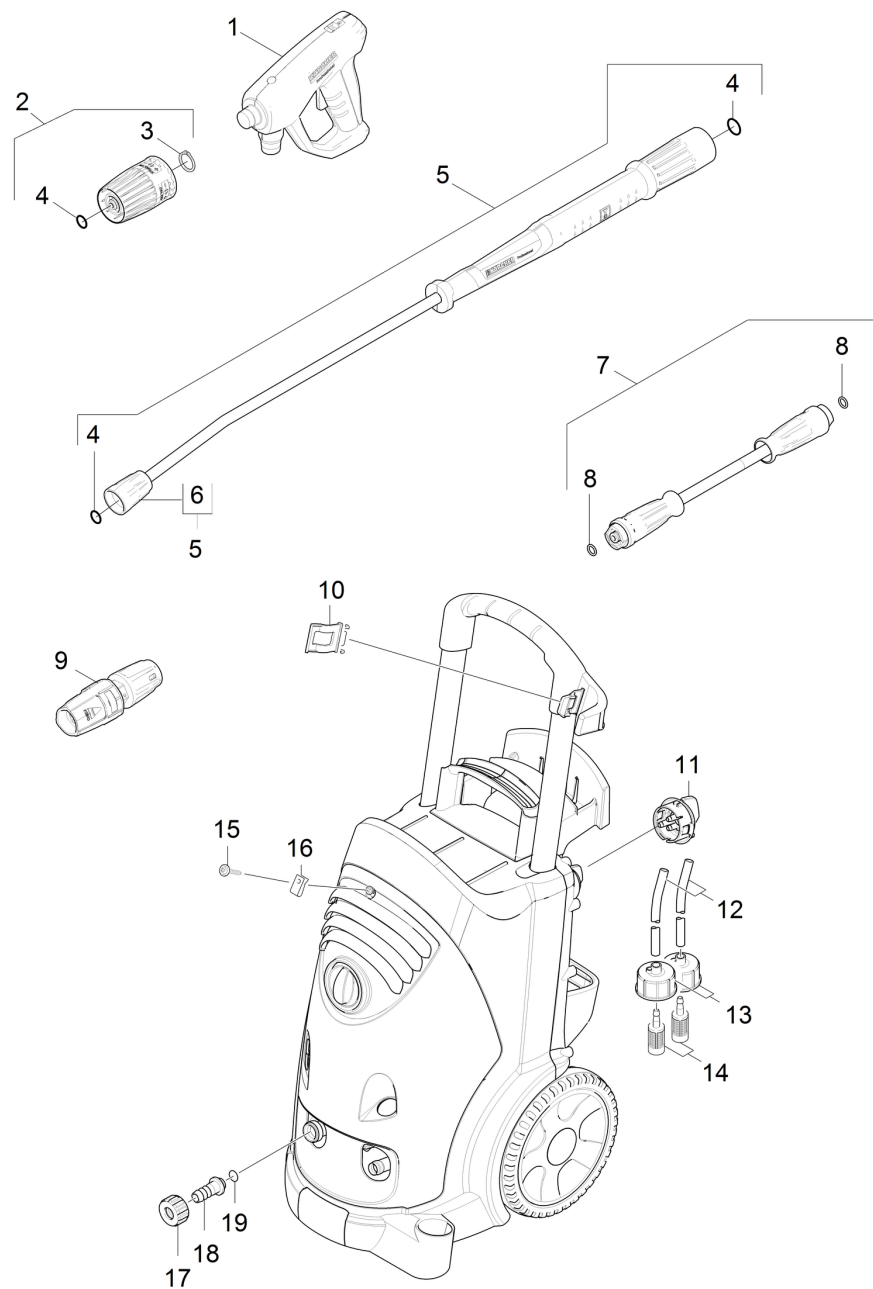


1 Hose assembly TR rotatable DN8 31,5MPa 1

---

| <b>POS</b> | <b>Article no.</b> | <b>Description</b> | <b>Quantity</b> | <b>Unit</b> |
|------------|--------------------|--------------------|-----------------|-------------|
| 5          | 2.880-154.0        | O-Ring kit         | 1.000           | ST          |

---



## 1030 Short spare parts list

| POS | Article no. | Description                              | Quantity | Unit | Foot note text        |
|-----|-------------|--|----------|------|-----------------------|
| 1   | 4.118-005.0 | EASY!Force Advanced                      | 1.000    | ST   |                       |
| 2   | 4.118-008.0 | Rotary controller TR 416L                | 1.000    | ST   |                       |
| 3   | 7.343-069.0 | Locking ring 25x1,2-1.4122 DIN 471       | 1.000    | ST   |                       |
| 4   | 2.880-001.0 | Spare part set seals TR                  | 3.000    | ST   |                       |
| 5   | 4.112-000.0 | Jet pipe TR 1050 mm                      | 1.000    | ST   |                       |
| 6   | 4.112-011.0 | Protection part TR only for replacement  | 1.000    | ST   |                       |
| 7   | 6.110-031.0 | Hose assembly TR rotatable DN8 31,5MPa 1 | 1.000    | ST   |                       |
| 8   | 2.880-154.0 | O-Ring kit                               | 1.000    | ST   |                       |
| 9   | 4.117-037.0 | Triple jet nozzle TR 050                 | 1.000    | ST   |                       |
| 10  | 5.044-216.0 | Holder                                   | 1.000    | ST   |                       |
| 11  | 4.580-645.0 | Proportioning valve chemistry            | 1.000    | ST   |                       |
| 12  | 6.388-216.0 | Hose DN 5                                | 1.000    | M    | TO ORDER AS CUT GOODS |
| 13  | 4.060-866.0 | Cover cleaning agents complete           | 2.000    | ST   |                       |
| 14  | 5.731-652.0 | Filter with weight                       | 2.000    | ST   |                       |
| 15  | 6.304-099.0 | Saucer-head screw M 6x 18-4.8-R2R        | 1.000    | ST   |                       |
| 16  | 6.310-053.0 | Putting nut                              | 1.000    | ST   |                       |
| 17  | 5.310-076.0 | Nut                                      | 1.000    | ST   |                       |
| 18  | 5.443-291.0 | Hose stem                                | 1.000    | ST   |                       |
| 19  | 6.362-161.0 | O-Ring seal 19,3 X 2,4                   | 1.000    | ST   |                       |