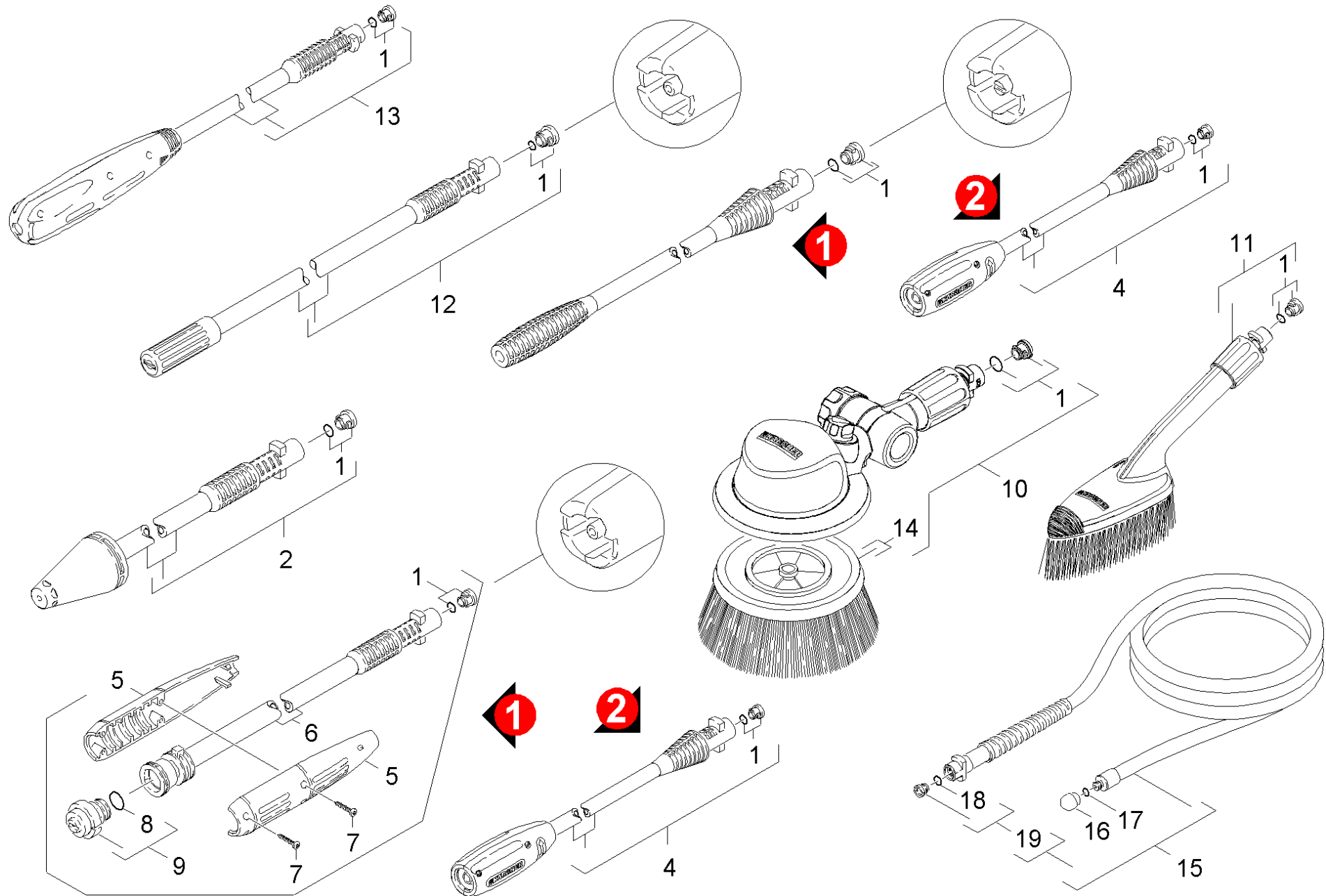


# 43 Jet pipe

Home and Garden \ High pressure cleaner cold water \ Electric motor \ K 2 \ K 2.97M-PLUS \*EU \ Spare parts list K 29X/29X M \ Accessories \ Jet pipe



## 43 Jet pipe

Home and Garden \ High pressure cleaner cold water \ Electric motor \ K 2 \ K 2.97M-PLUS \*EU \ Spare parts list K 29X/29X M \ Accessories \ Jet pipe

**KÄRCHER**

POS	Article no.	Description	Quantity	Unit
1	2.640-729.0	O-Ring seal set	1	PC
2	4.764-260.0	Dirt blaster 027 St - CEM	1	PC
4	4.760-535.0	VPS K2 025	1	PC
5	9.036-402.0	Handhold few complete	1	PC
6	7.777-999.0	Stockpiling discontinued	1	PC
7	6.303-122.0	M4 .2X13 DIN 7981 TORX T15 PAN HD HI/LO	4	PC
8	6.362-534.0	O-Ring seal 18,0 X 2,0-NBR 70	1	PC
9	7.777-999.0	Stockpiling discontinued	1	PC
10	2.643-236.0	WB 100 washing brush	1	PC
11	2.640-589.0	Brush lengthwise	1	PC
12	7.777-999.0	Stockpiling discontinued	1	PC
13	7.777-999.0	Stockpiling discontinued	1	PC
14	5.762-331.0	Carrier brushes	1	PC
15	2.637-729.0	PC 7.5 pipe cleaning set	1	PC
16	5.763-022.0	Nozzle Kärcher	1	PC
17	6.362-388.0	O-Ring seal 8,0x1,5 -EPDM 70	1	PC
18	6.362-642.0	O-Ring d. 7,65x1,78 -NBR 80	1	PC
19	2.883-112.0	Spare part set screw plug	1	PC