

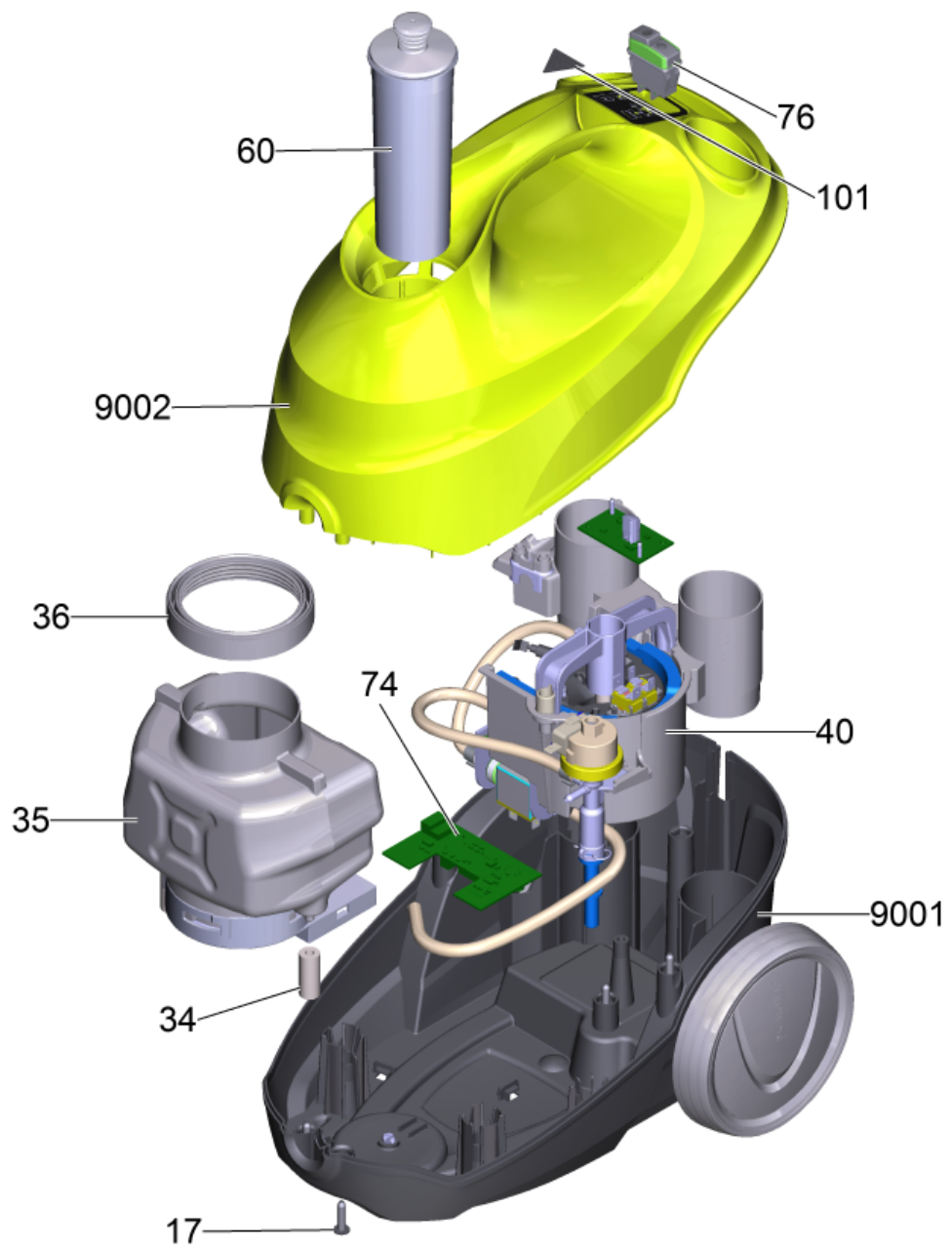
## **Spare parts list**

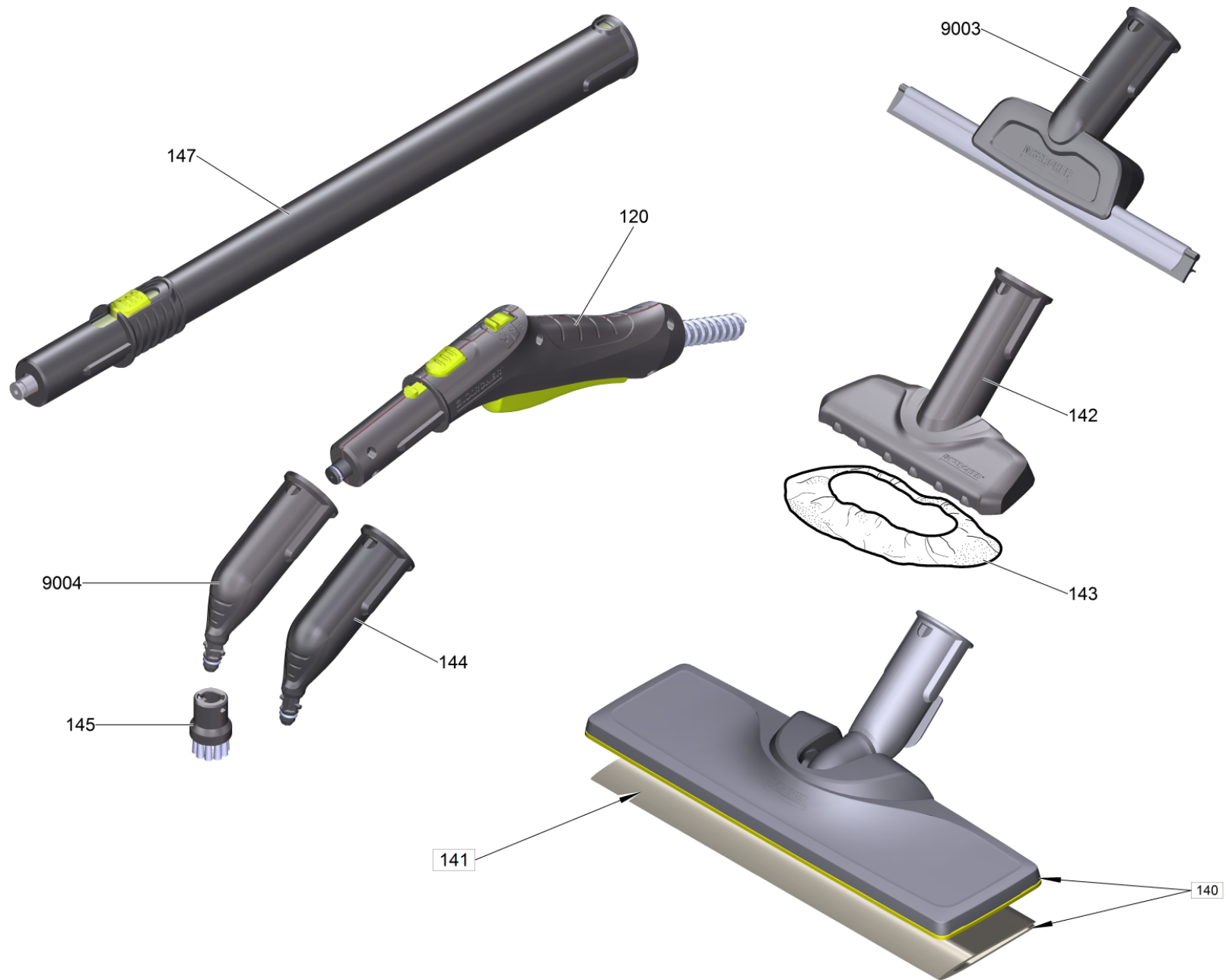
(1.513-110.0) SC 3 EasyFix (yellow) \*EU

## Table of contents

---

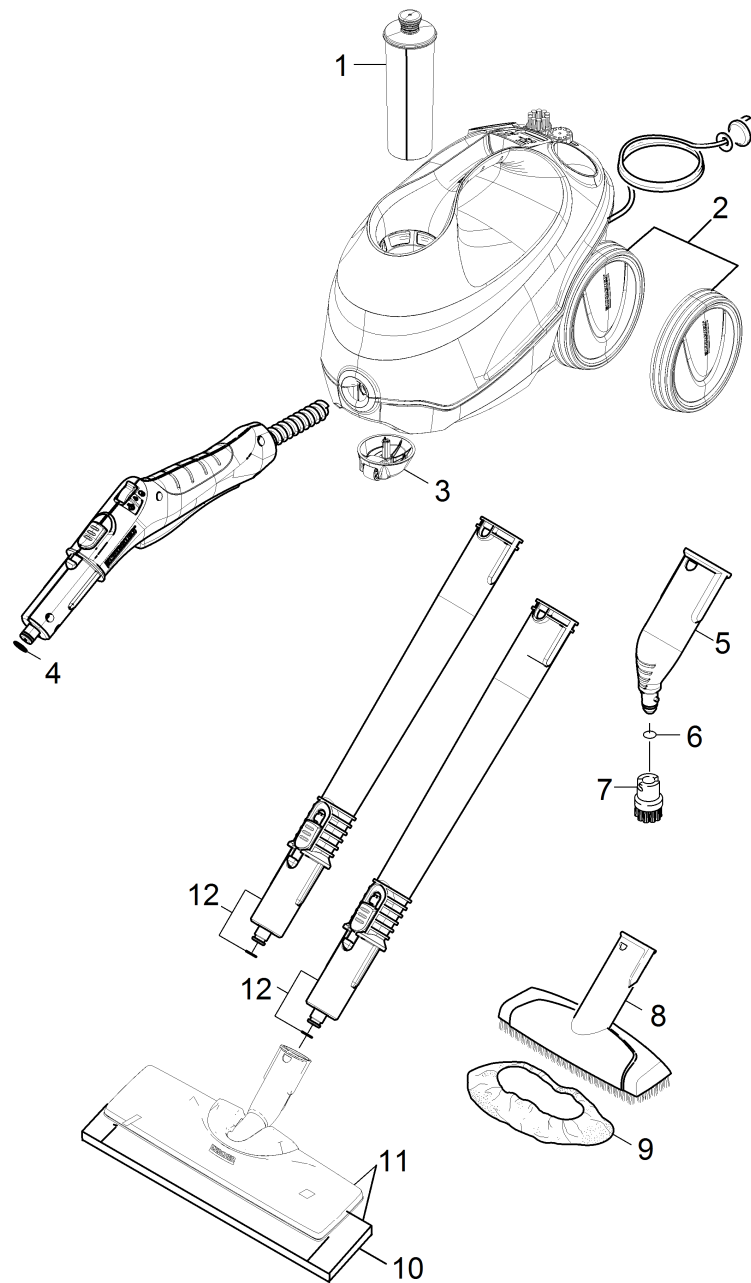
SC 3 EasyFix (yellow) *EU (1.513-110.0)	3
Short spare parts list	6
40 Steam generator complete SC 3	8
1 Steam generator pre-assembled	10
1 Carrier complete replacement DLE SC 3 (4.512-095.0)	12
74 Electronics complete replacement SC 3 NE (4.512-110.0)	14
120 Steam hose without plug bk/yw (4.322-048.0)	16
144 Point jet nozzle complete PA (4.130-021.0)	17
147 Extension pipe (4.127-024.0)	19
9001 Bottom housing complete replacement SC 3 (4.512-090.0)	21
9002 Upper housing complete replacement SC 3 (4.512-108.0)	23
9003 Window nozzle special accessories (2.863-025.0)	25
9004 Point jet nozzle complete PA (4.130-021.0)	27





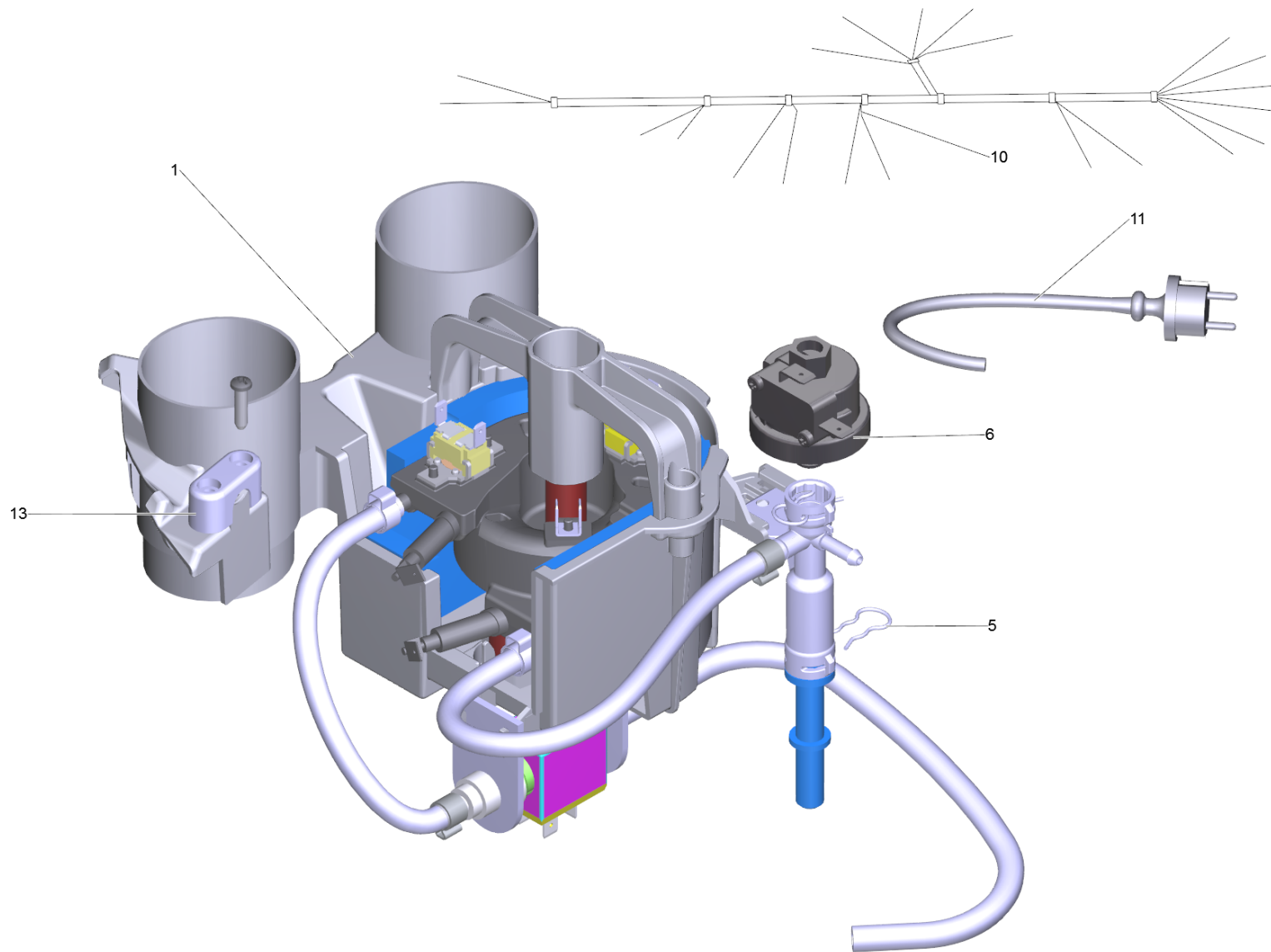
SC 3 EasyFix (yellow) \*EU (1.513-110.0)

POS	Article no.	Description	Quantity	Unit	Serial number from	Foot note text
34	6.512-038.0	Bearing rubber	2.000	ST		
9001	4.512-090.0	Bottom housing complete replacement SC 3	1.000	ST		
60	2.863-018.0	Cartridge special accessories	1.000	ST		
74	4.512-110.0	Electronics complete replacement SC 3 NE	1.000	ST	142215	VERSION 2
147	4.127-024.0	Extension pipe	2.000	ST		
140	2.863-267.0	Floor nozzle set EasyFix	1.000	ST		
142	2.884-280.0	Hand nozzle	1.000	ST		
143	2.863-270.0	Microfibre covers for hand nozzle	1.000	ST		
141	2.863-259.0	Microfibre floor cloths EasyFix (2-er Se	1.000	ST		
144	4.130-021.0	Point jet nozzle complete PA	1.000	ST		
9004	4.130-021.0	Point jet nozzle complete PA	1.000	ST		
145	2.863-264.0	Round brushes set	1.000	ST		
17	7.303-108.0	Screw 5x20 -10.9-R2R (In6Rd)	6.000	ST		
36	5.364-248.0	Seal tank	1.000	ST		
0		Short spare parts list	1.000	ST		
40		Steam generator complete SC 3	1.000	ST		
120	4.322-048.0	Steam hose without plug bk/yw	1.000	ST		
76	4.744-169.0	Switch complete only for replacement	1.000	ST		
35	4.512-094.0	Tank complete replacement SC 3	1.000	ST		
9002	4.512-108.0	Upper housing complete replacement SC 3	1.000	ST	142215	VERSION 2
101	5.387-036.0	Warning sign	1.000	ST		
9003	2.863-025.0	Window nozzle special accessories	1.000	ST		



## Short spare parts list

POS	Article no.	Description	Quantity	Unit
1	2.863-018.0	Cartridge special accessories	1.000	ST
3	4.512-073.0	Castor complete	1.000	ST
12	4.127-024.0	Extension pipe	2.000	ST
11	2.863-267.0	Floor nozzle set EasyFix	1.000	ST
8	2.884-280.0	Hand nozzle	1.000	ST
2	4.515-307.0	Impeller kit replacement	1.000	ST
9	2.863-270.0	Microfibre covers for hand nozzle	1.000	ST
10	2.863-259.0	Microfibre floor cloths EasyFix (2-er Se	1.000	ST
6	6.362-186.0	O-Ring seal 7,65X 1,78	1.000	ST
4	6.362-922.0	O-Ring seal 8,73x1,78	1.000	ST
5	4.130-021.0	Point jet nozzle complete PA	1.000	ST
7	2.863-264.0	Round brushes set	1.000	ST



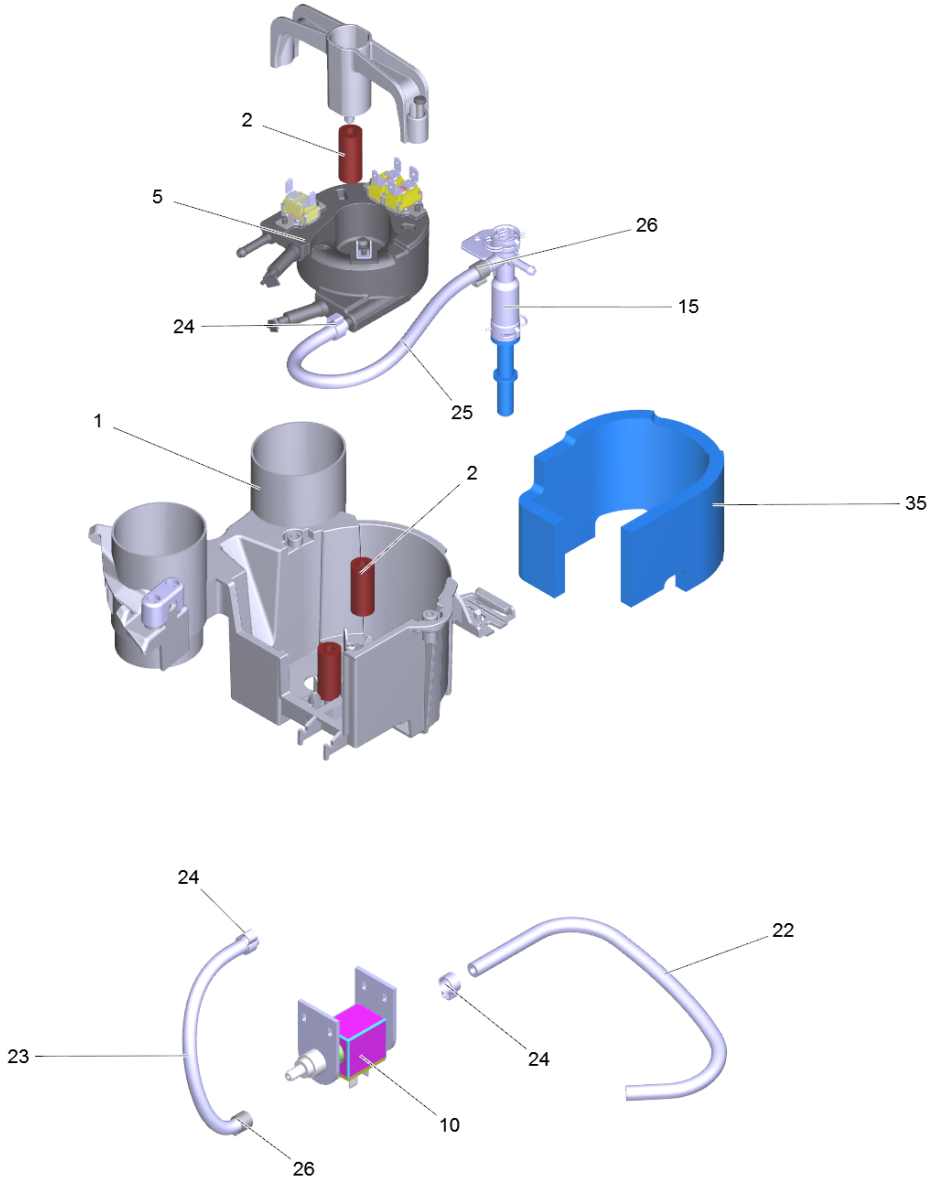


## 40 Steam generator complete SC 3

---

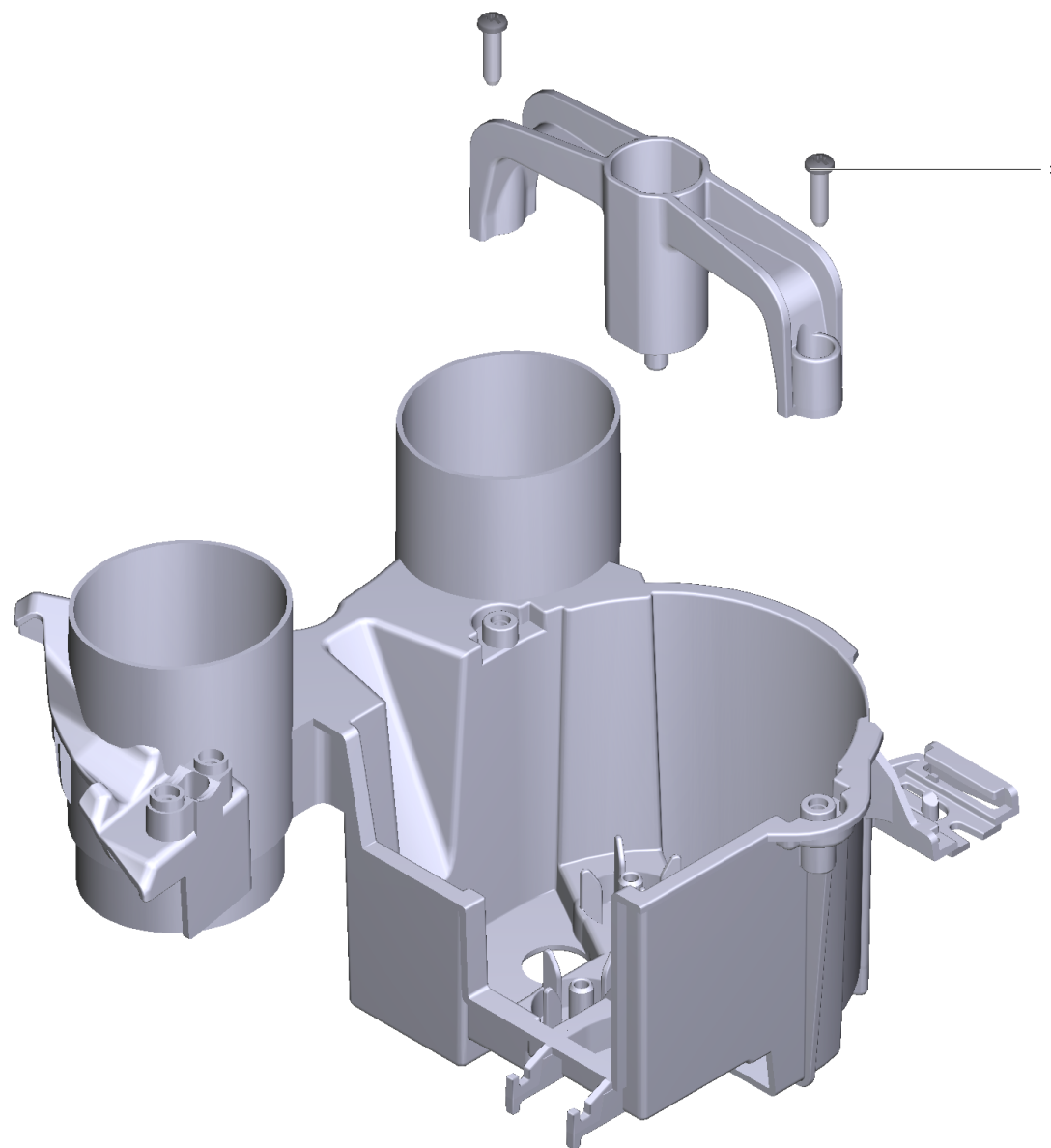
<b>POS</b>	<b>Article no.</b>	<b>Description</b>	<b>Quantity</b>	<b>Unit</b>
10	4.039-235.0	Cable set replacement SC 3	1.000	ST
11	6.649-797.0	Cable with plug EU 4m	1.000	ST
5	5.585-066.0	Clamp	1.000	ST
14	6.303-199.0	Oval head screw 4,2x 16	2.000	ST
6	4.413-000.0	Pressure controller replacement 0,21 MPa	1.000	ST
13	5.034-505.0	Retaining bracket cable	1.000	ST
1		Steam generator pre-assembled	1.000	ST

1 Steam generator pre-assembled



## 1 Steam generator pre-assembled

POS	Article no.	Description	Quantity	Unit	Foot note text
2	6.512-038.0	Bearing rubber	4.000	ST	
1	4.512-095.0	Carrier complete replacement DLE SC 3	1.000	ST	
5	4.585-033.0	Flow heater complete replacement SC 3	1.000	ST	
22	6.391-336.0	Hose	0.275	M	TO ORDER AS CUT GOODS
24	6.389-993.0	Hose clip 7,5 - 9,0	3.000	ST	
26	6.389-882.0	Hose clip 8,5-10,0	2.000	ST	
25	6.389-016.0	Hose silicon DN4.5-Poly	0.230	M	TO ORDER AS CUT GOODS
23	6.389-016.0	Hose silicon DN4.5-Poly	0.150	M	TO ORDER AS CUT GOODS
35	5.585-067.0	Insulating DLE	1.000	ST	
10	4.512-096.0	Pump complete replacement SC 3	1.000	ST	
15	4.580-021.0	Safety valve complete replacement SC 3	1.000	ST	

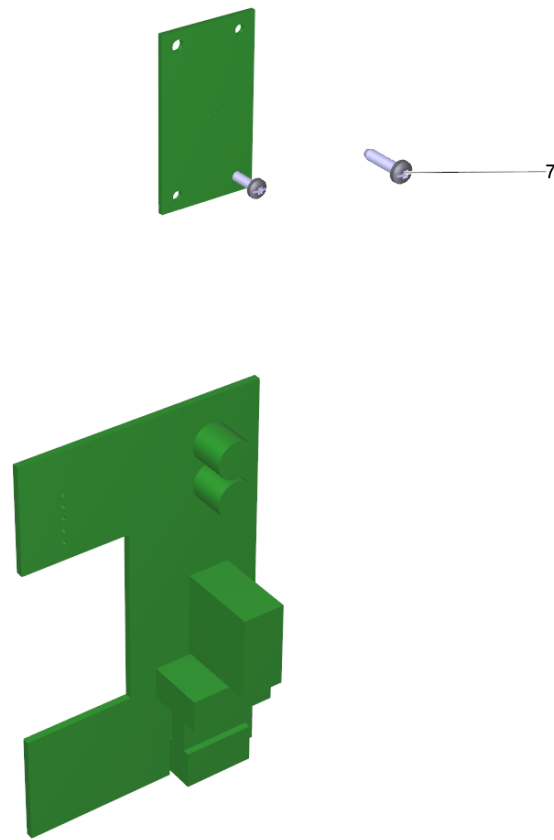


1 Carrier complete replacement DLE SC 3 (4.512-095.0)

---

<b>POS</b>	<b>Article no.</b>	<b>Description</b>	<b>Quantity</b>	<b>Unit</b>
3	6.303-199.0	Oval head screw 4,2x 16	2.000	ST

---



74 Electronics complete replacement SC 3 NE (4.512-110.0)

---

<b>POS</b>	<b>Article no.</b>	<b>Description</b>	<b>Quantity</b>	<b>Unit</b>
7	6.303-567.0	Screw with spike 3x12 Kombitorx T8	2.000	ST

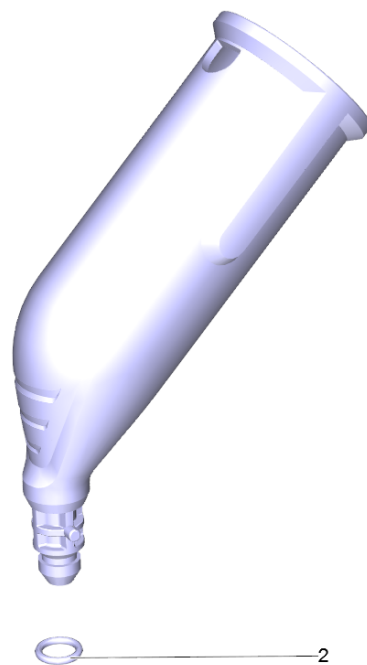
120 Steam hose without plug bk/yw (4.322-048.0)

---

<b>POS</b>	<b>Article no.</b>	<b>Description</b>	<b>Quantity</b>	<b>Unit</b>
2	6.362-922.0	O-Ring seal 8,73x1,78	1.000	ST

---

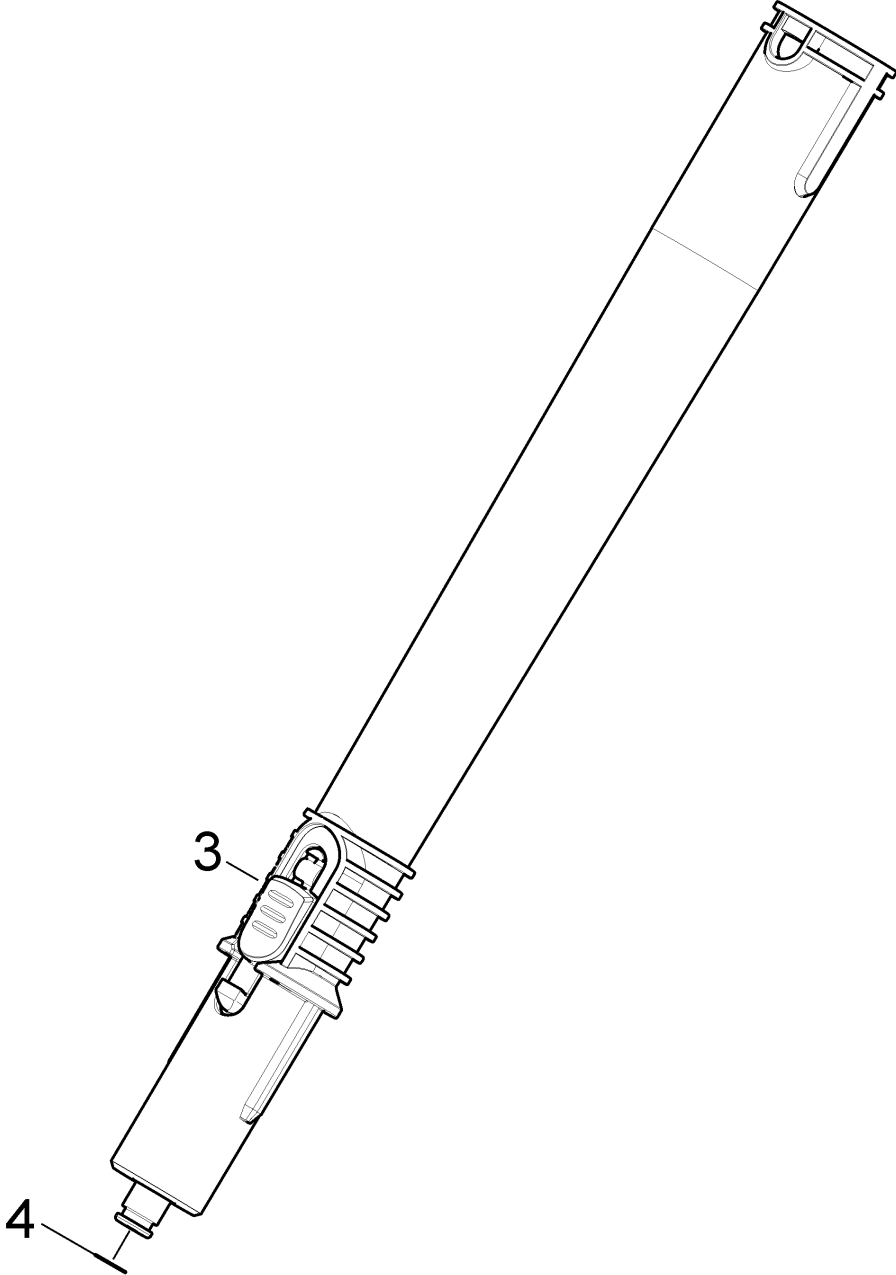




144 Point jet nozzle complete PA (4.130-021.0)

---

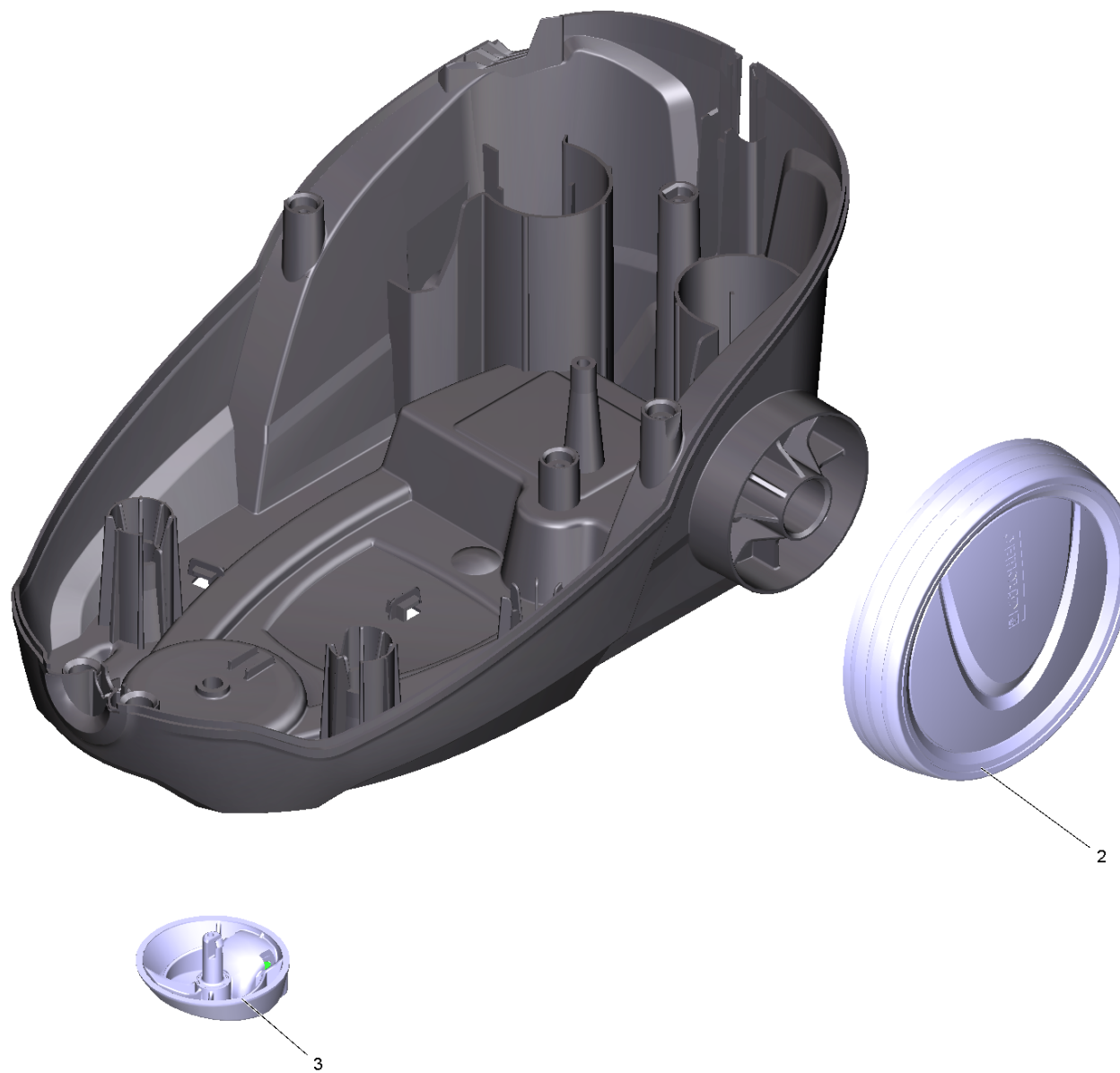
<b>POS</b>	<b>Article no.</b>	<b>Description</b>	<b>Quantity</b>	<b>Unit</b>
2	6.362-186.0	O-Ring seal 7,65X 1,78	1.000	ST



147 Extension pipe (4.127-024.0)

---

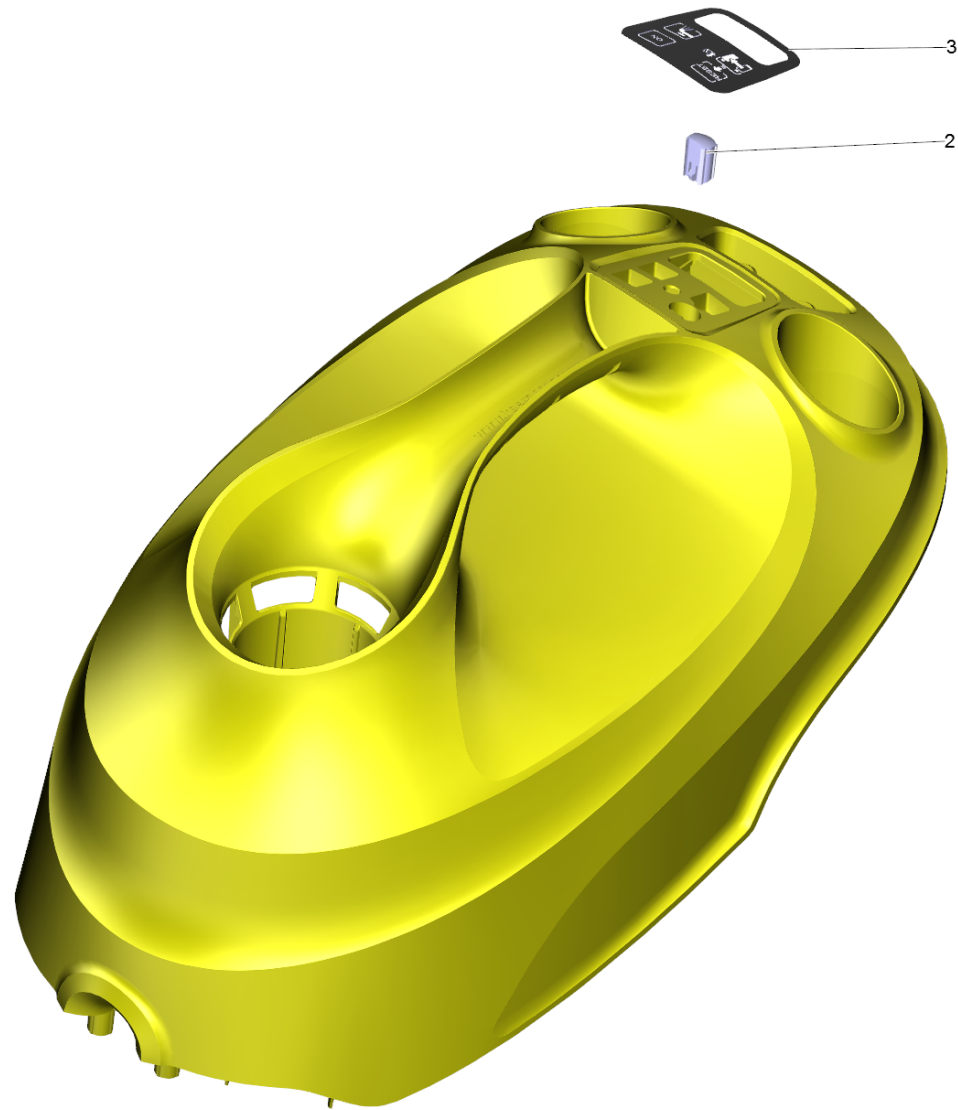
<b>POS</b>	<b>Article no.</b>	<b>Description</b>	<b>Quantity</b>	<b>Unit</b>
4	6.362-922.0	O-Ring seal 8,73x1,78	1.000	ST
3	5.037-220.0	Snap-fit	1.000	ST



9001 Bottom housing complete replacement SC 3 (4.512-090.0)

---

<b>POS</b>	<b>Article no.</b>	<b>Description</b>	<b>Quantity</b>	<b>Unit</b>
3	4.512-073.0	Castor complete	1.000	ST
2	5.515-046.0	Wheel 2014	2.000	ST

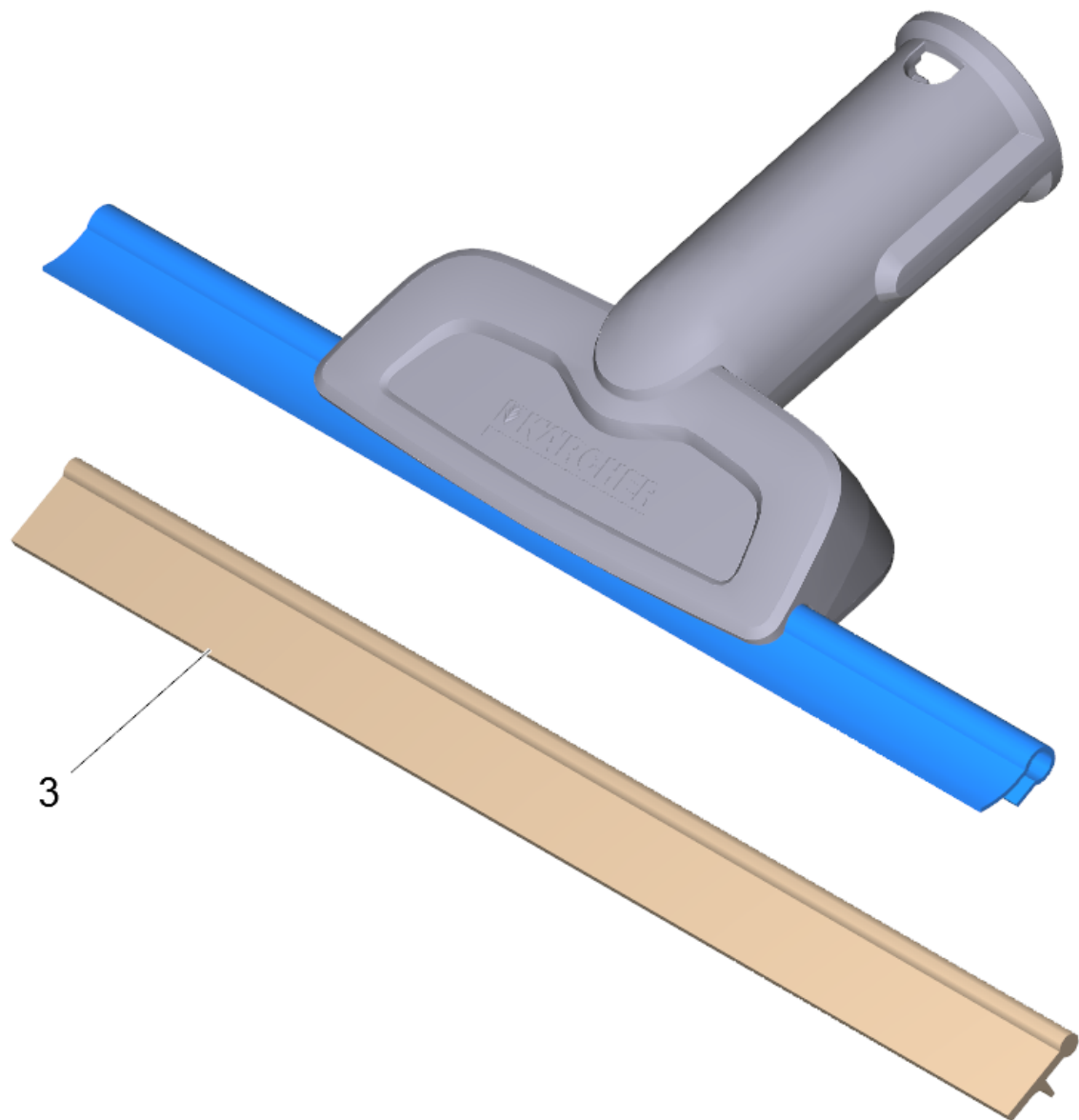


9002 Upper housing complete replacement SC 3 (4.512-108.0)

---

<b>POS</b>	<b>Article no.</b>	<b>Description</b>	<b>Quantity</b>	<b>Unit</b>
3	5.512-206.0	Foil display	1.000	ST
2	5.512-209.0	Slide of a press SC 3	1.000	ST



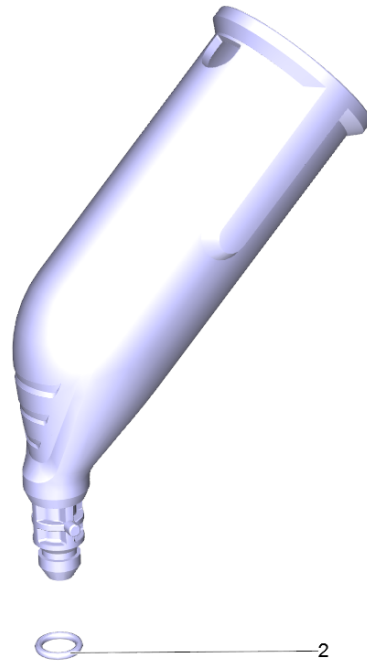


9003 Window nozzle special accessories (2.863-025.0)

---

<b>POS</b>	<b>Article no.</b>	<b>Description</b>	<b>Quantity</b>	<b>Unit</b>
3	5.512-125.0	Rubber lip	1.000	ST

---



9004 Point jet nozzle complete PA (4.130-021.0)

---

<b>POS</b>	<b>Article no.</b>	<b>Description</b>	<b>Quantity</b>	<b>Unit</b>
2	6.362-186.0	O-Ring seal 7,65X 1,78	1.000	ST