

## **Spare parts list**

(1.524-401.0) HD 9/20 -4M \*EU-I

## Table of contents

---

HD 9/20 -4M *EU-I (1.524-401.0)	4
Spare parts list HD 9/20-4 (5.970-530.0)	5
10 Housing	6
11 Housing	7
10 Cover cleaning agents complete (4.060-866.0)	10
12 Hose reel	12
2 Spare part set (2.884-857.0)	14
4 Spare part set (2.884-858.0)	16
20 Pump set	18
21 Cylinder head	19
11 Pressure gauge complete (4.423-024.0)	22
12 SPARE PARTS SET (2.883-988.0)	23
20 Valve complete (4.580-594.0)	25
30 Nozzle insert (4.769-026.0)	27
31 Valve seat complete (4.481-226.0)	29
32 Valve (3 Stueck) (2.884-512.0)	31
37 Set excess-current (4.591-056.0)	33
40 Manifold complete (4.427-310.0)	35
22 Cylinder head	37
11 Pressure gauge complete (4.423-024.0)	40
12 SPARE PARTS SET (2.883-988.0)	41
18 Valve (3 Stueck) (2.884-512.0)	43
21 Valve complete (4.580-594.0)	45
31 Nozzle insert (4.769-026.0)	47
40 Set excess-current (4.591-056.0)	49
42 Manifold complete (4.427-310.0)	51
23 Thrust guidance	53
4 Piston complete (4.553-279.0)	55
30 Motor	57
Motor complete only for replacement (4.623-871.0)	59
40 Accessories	61
41 Hand trigger gun	62
1 HAND TRIGGER GUN EASY PRESS (4.775-463.0)	64
9002 Lever complete (4.481-209.0)	66
4 Lever complete (4.481-209.0)	68
12 Rotary controller 416L (4.775-470.0)	70
42 Hand trigger gun	72
1 Hand trigger gun (4.775-466.0)	74

## Table of contents

---

60 Adapter pipelines AVS-M22x1,5 (4.421-739.3)	76
9002 Lever complete (4.481-209.0)	78
4 Lever complete (4.481-209.0)	80
9 Adapter pipelines AVS-M22x1,5 (4.421-739.3)	82
15 Rotary controller 416L (4.775-470.0)	84
43 Jet pipe	86
1 Jet pipe packaged only for replacement (4.760-660.0)	88
44 Nozzle	90
12 Dirt blaster 05 (4.763-253.0)	92
11 Spare parts list dirt blaster (5.955-641.0)	93
10 Dirt blaster	94
Spare part set rotor 170 (2.881-025.0)	97
Spare part set dirt blaster 04-HD 1050 (2.883-471.0)	99
Spare part set dirt blaster 05 (2.883-472.0)	101
Spare part set dirt blaster 055/06 (2.883-473.0)	103
Spare part set dirt blaster 07/08-HDS 8 (2.883-474.0)	105
Spare part set dirt blaster 120 (2.884-051.0)	107
Spare part set dirt blaster 035 (2.884-052.0)	109
Spare part set dirt blaster 045 (2.884-113.0)	111
Spare part set dirt blaster 09 (2.884-316.0)	113
Spare parts set rotor 100 (2.885-196.0)	115
45 Nozzle	117
Triple jet nozzle only for replacement 0 (4.767-154.0)	119
2 Spare parts list triple jet nozzle (5.970-837.0)	120
10 Triple jet nozzle plastics	121
20 Triple jet nozzle brass	123
50 Electric box	125

HD 9/20 -4M \*EU-I (1.524-401.0)

---

POS	Article no.	Description	Quantity	Unit
0	5.970-530.0	Spare parts list HD 9/20-4	1.000	ST

Spare parts list HD 9/20-4 (5.970-530.0)

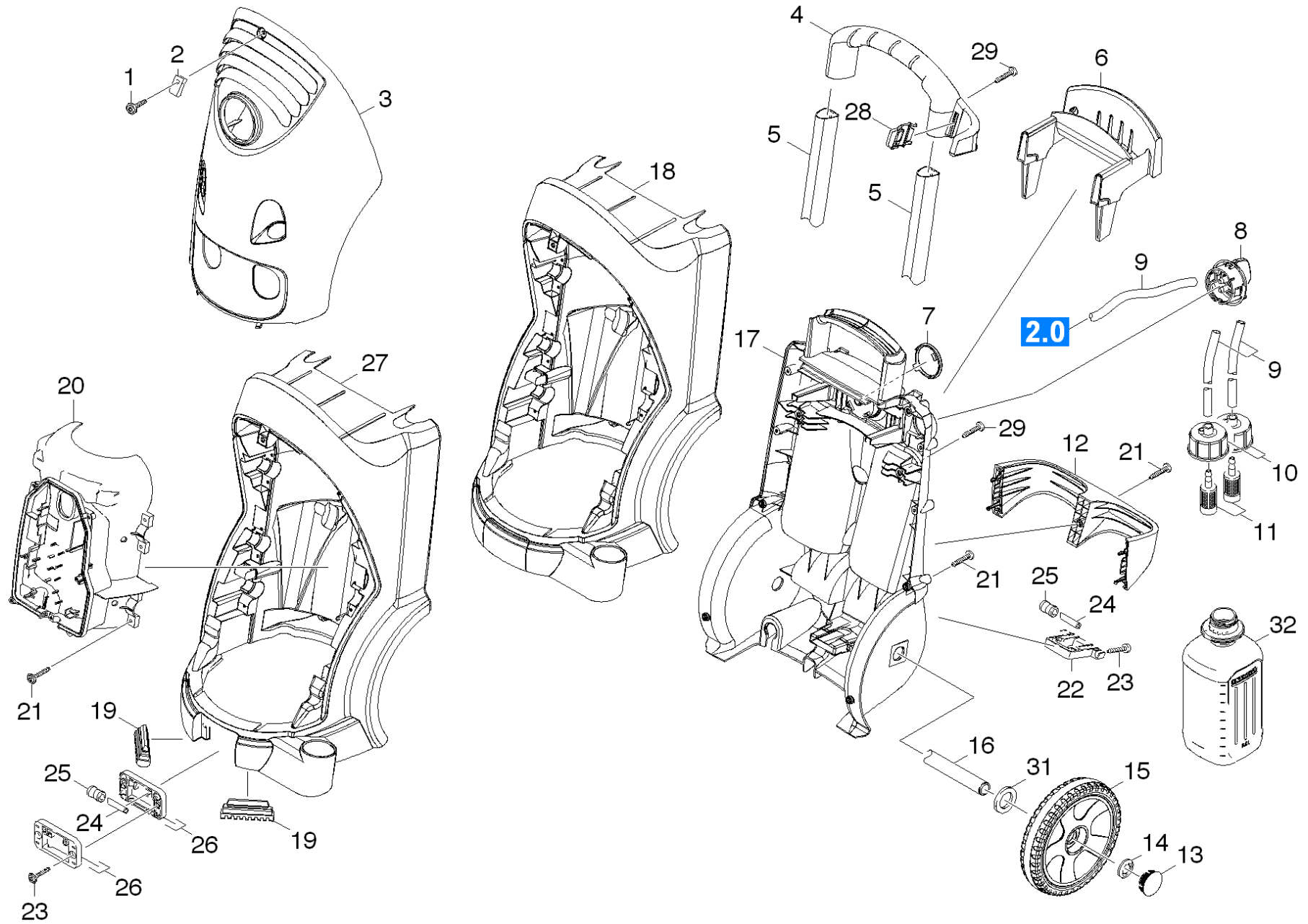
---

<b>POS</b>	<b>Description</b>	<b>Quantity</b>	<b>Unit</b>
40	Accessories	1.000	ST
50	Electric box	1.000	ST
10	Housing	1.000	ST
30	Motor	1.000	ST
20	Pump set	1.000	ST

## 10 Housing

---

<b>POS</b>	<b>Description</b>	<b>Quantity</b>	<b>Unit</b>
12	Hose reel	1.000	ST
11	Housing	1.000	ST



## 11 Housing

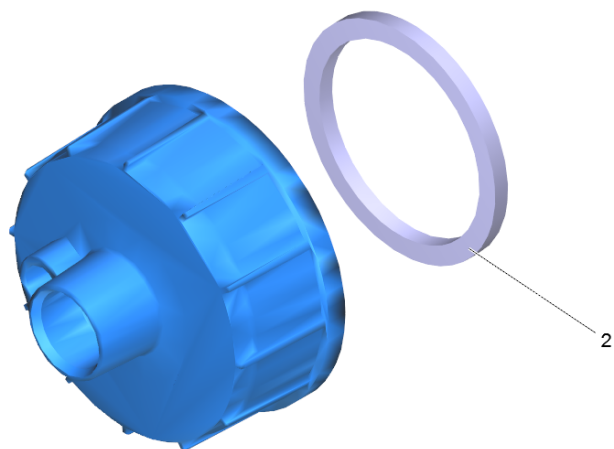
POS	Article no.	Description	Quantity	Unit	Foot note text
20	5.692-083.0	Air circulation electric control box bot	1.000	ST	
24	5.128-511.0	Axle	4.000	ST	
	<b>Item text1:</b> 1.524-404.0				
16	5.105-413.0	Axle	1.000	ST	
5	5.107-262.0	Bar	2.000	ST	
32	6.394-491.0	Bottle PE 2,5 L	2.000	ZST	
14	6.343-217.0	Clamping washer D25	2.000	ST	
10	4.060-866.0	Cover cleaning agents complete	2.000	ST	
7	5.032-475.0	Covering cap cover	1.000	ST	
3	5.069-413.3	Device cover basalt grey only for replacement	1.000	ST	
11	5.731-652.0	Filter with weight	2.000	ST	
27	5.050-252.0	Frame front part	1.000	ST	
	<b>Item text1:</b> 1.524-404.0				
18	5.050-258.3	Frame front part	1.000	ST	
	<b>Item text1:</b> 1.524-401.0 / -402.0 / -403.0				
17	5.050-431.0	Frame rear panel	1.000	ST	
4	5.321-751.0	Handhold	1.000	ST	
28	5.044-216.0	Holder	1.000	ST	
6	5.044-735.0	Holder	1.000	ST	
23	5.044-216.0	Holder	1.000	ST	
	<b>Item text1:</b> 1.524-404.0				
26	5.044-646.0	Holder roller front	2.000	ST	
	<b>Item text1:</b> 1.524-404.0				
22	5.044-647.0	Holder roller rear	1.000	ST	
	<b>Item text1:</b> 1.524-404.0				
9	6.388-216.0	Hose DN 5	1.000	M	TO ORDER AS CUT GOODS
30	5.032-782.0	Moulded part	1.000	ST	
	<b>Item text1:</b> 1.524-404.0				
8	4.580-645.0	Proportioning valve chemistry	1.000	ST	
2	6.310-053.0	Putting nut	1.000	ST	
12	5.032-747.0	Retaining bracket	1.000	ST	
25	5.515-191.0	Roller	4.000	ST	
	<b>Item text1:</b> 1.524-404.0				



## 11 Housing

---

POS	Article no.	Description	Quantity	Unit	Foot note text
1	6.304-099.0	Saucer-head screw M 6x 18-4.8-R2R	1.000	ST	
21	7.303-108.0	Screw 5x20 -10.9-R2R (In6Rd)	19.000	ST	
29	7.303-048.0	Screw M6x20 -St-R3R (In6Rd)	8.000	ST	
19	5.057-062.0	Support	2.000	ST	
31	7.312-060.0	Washer 24-100HV-A3E ISO 7091	2.000	ST	
15	4.515-255.0	Wheel	1.000	ST	SET OF 2 PIECES
13	5.392-038.0	Wheel cap	2.000	ST	

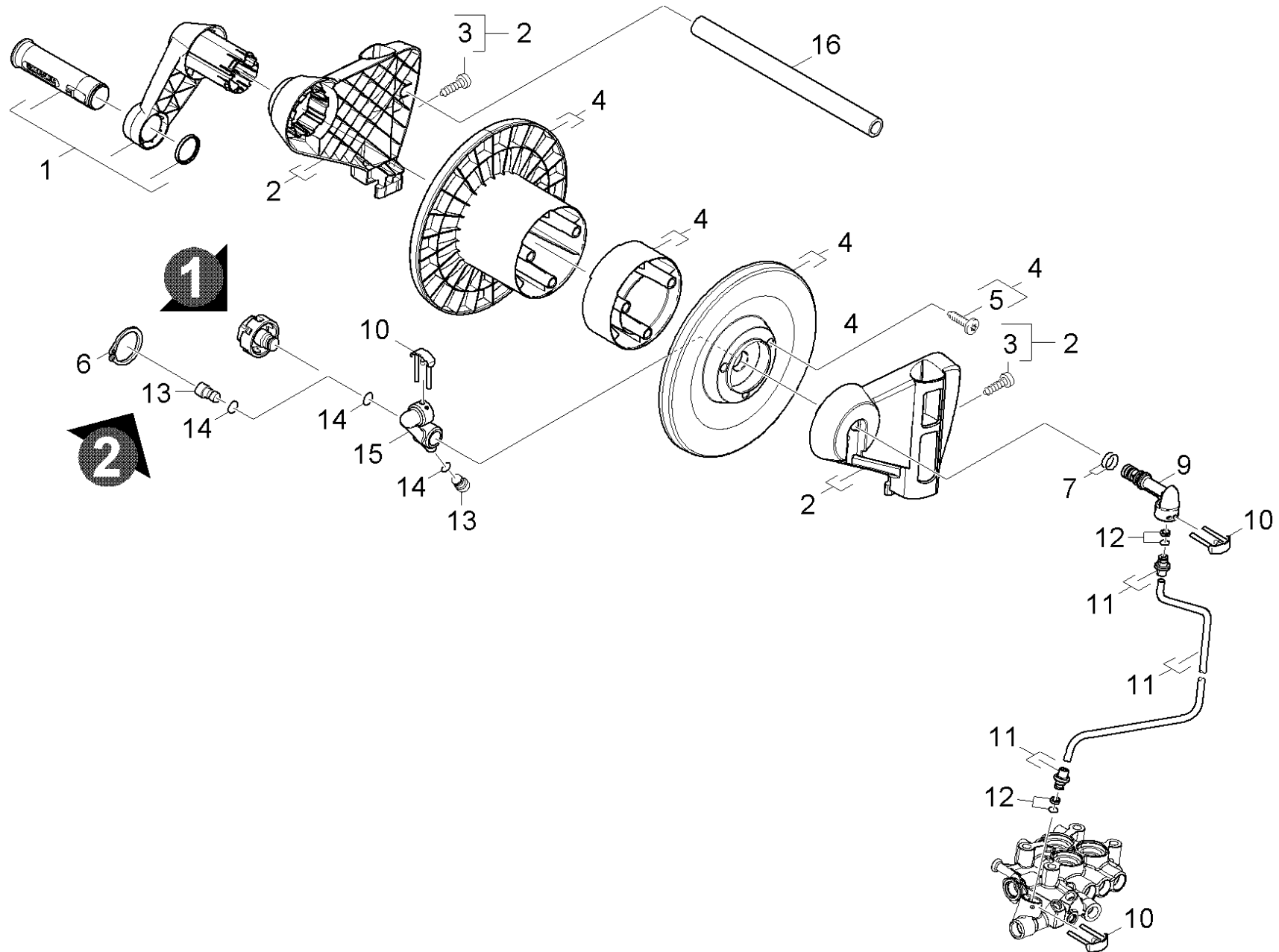


10 Cover cleaning agents complete (4.060-866.0)

---

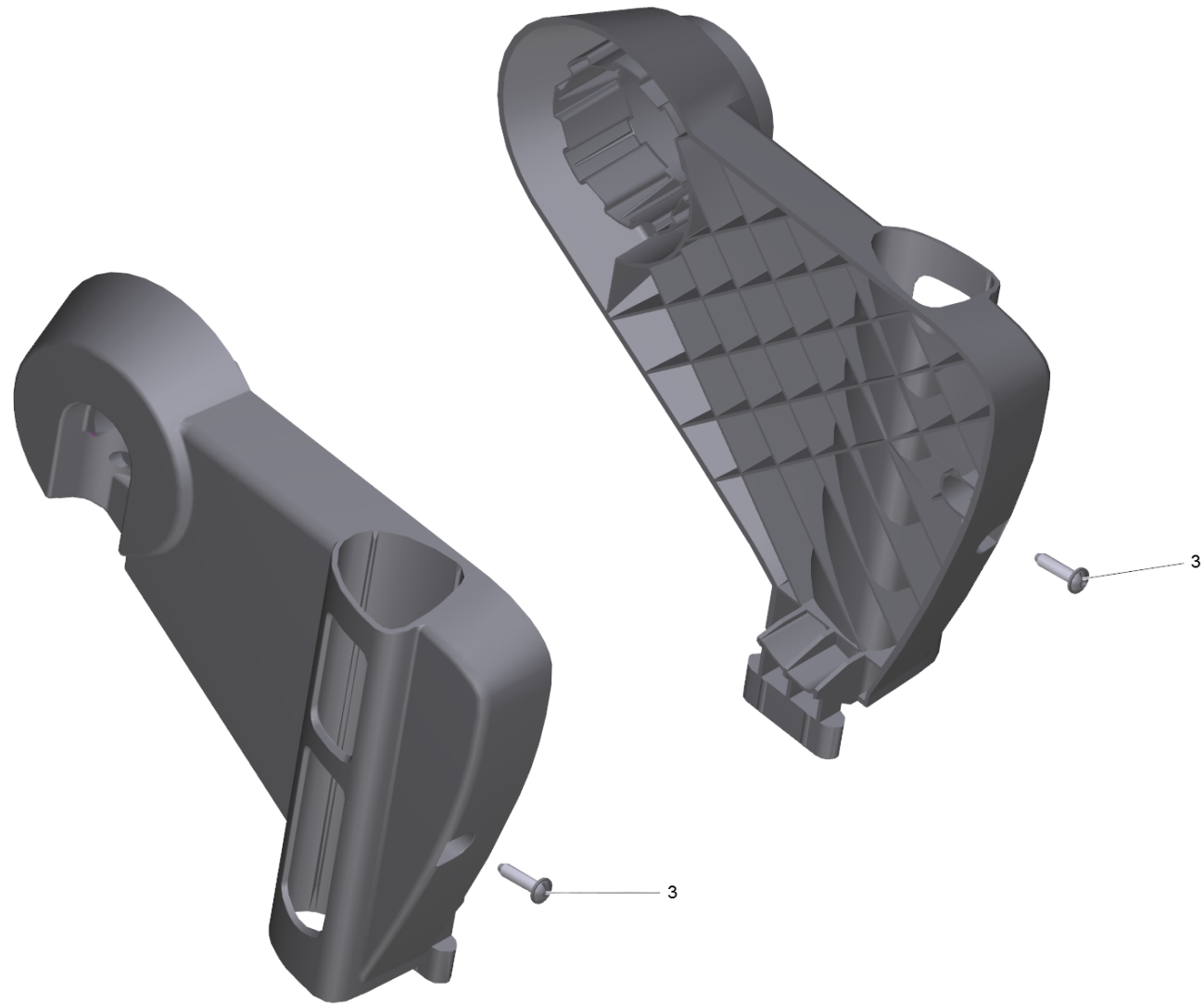
<b>POS</b>	<b>Article no.</b>	<b>Description</b>	<b>Quantity</b>	<b>Unit</b>
2	6.363-304.0	Seal	1.000	ST

---



## 12 Hose reel

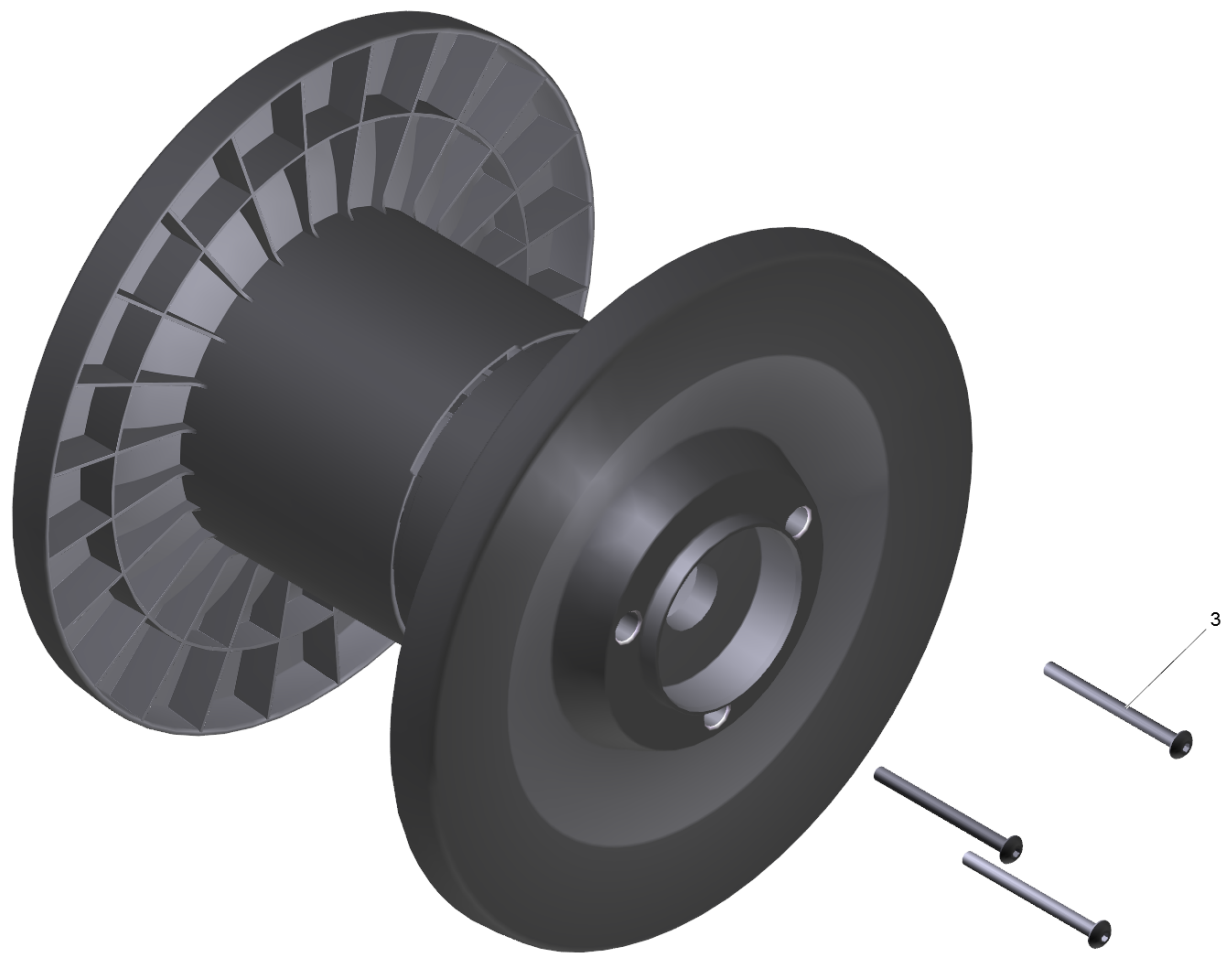
POS	Article no.	Description	Quantity	Unit
16	5.107-263.0	Bar VA	1.000	ST
13	5.411-161.0	CLOSING SCREW M10X1	2.000	ST
1	4.481-213.0	Crank complete	1.000	ST
10	4.037-013.0	Hook	3.000	ST
6	7.343-018.0	Locking ring 18x1,2-Rf-St DIN 471	1.000	ST
15	5.427-326.0	Manifold	1.000	ST
9	5.427-328.0	Manifold	1.000	ST
14	6.362-703.0	O-Ring seal 6,0x1,5-NBR 70	2.000	ST
7	4.363-693.0	O-Ring seal kpl. -nur fuer Ersatz-	2.000	ST
12	4.363-691.0	O-Ring seal kpl. -nur fuer Ersatz-	2.000	ST
11	4.422-038.0	Pipelines complete	1.000	ST
5	6.303-329.0	Screw 5x60 - St. verz. bl.	3.000	ST
3	7.303-048.0	Screw M6x20 -St-R3R (In6Rd)	2.000	ST
2	2.884-857.0	Spare part set	1.000	ST
4	2.884-858.0	Spare part set	1.000	ST



2 Spare part set (2.884-857.0)

---

POS	Article no.	Description	Quantity	Unit
3	7.303-048.0	Screw M6x20 -St-R3R (In6Rd)	2.000	ST





4 Spare part set (2.884-858.0)

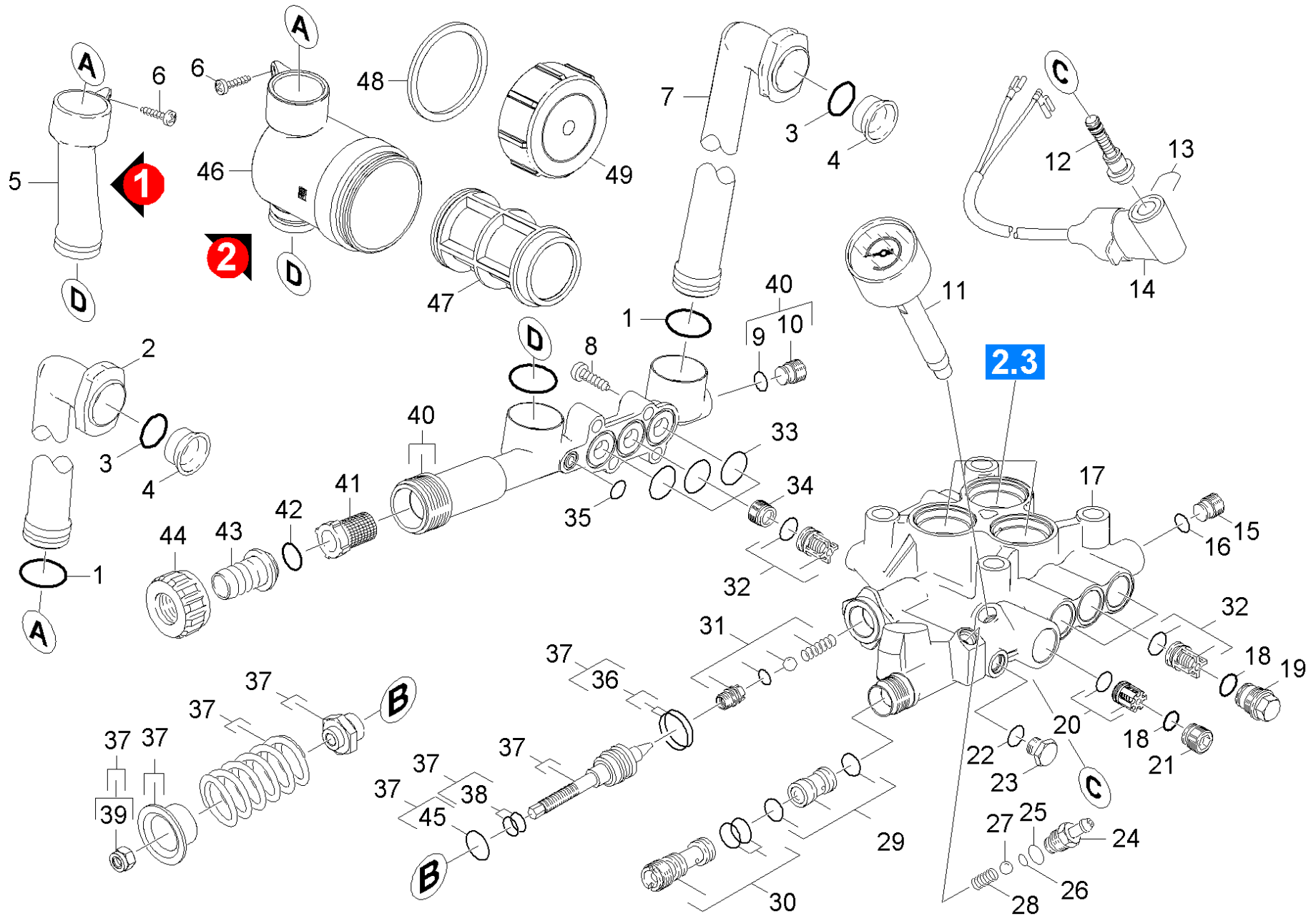
---

POS	Article no.	Description	Quantity	Unit
3	6.303-329.0	Screw 5x60 - St. verz. bl.	3.000	ST

## 20 Pump set

---

<b>POS</b>	<b>Description</b>	<b>Quantity</b>	<b>Unit</b>	<b>Remark</b>
21	Cylinder head	1.000	ST	HD 9/20 M
22	Cylinder head	1.000	ST	HD 9/20 MX
23	Thrust guidance	1.000	ST	



## 21 Cylinder head

POS	Article no.	Description	Quantity	Unit
21	5.411-166.0	CLOSING SCREW	1.000	ST
49	5.064-107.0	Cover	1.000	ST
17	5.550-325.0	Cylinder head	1.000	ST
8	7.306-043.0	Cylinder head screw M8x30 -8.8-A2E ISO	4.000	ST
47	6.414-949.0	Filter cartridge	1.000	ST
46	5.605-348.0	Filter housing	1.000	ST
28	5.332-258.0	Helical spring	1.000	ST
39	7.311-510.0	Hexagon nut M 8-8-A2E ISO 7040	1.000	ST
43	5.443-291.0	Hose stem	1.000	ST
2	5.427-307.0	Manifold	1.000	ST
40	4.427-310.0	Manifold complete	1.000	ST
7	5.427-298.0	Manifold short	1.000	ST
5	5.427-411.0	Manifold short	1.000	ST
24	5.443-624.0	Nipple	1.000	ST
30	4.769-026.0	Nozzle insert	1.000	ST
44	5.310-076.0	Nut	1.000	ST
26	6.363-597.0	O-Ring seal 5,28 x 1,78	1.000	ST
25	6.362-113.0	O-Ring seal 6,0 x 2,0 NBR 70	1.000	ST
22	6.362-690.0	O-Ring seal 7x2 - NBR 70	1.000	ST
35	6.362-388.0	O-Ring seal 8,0x1,5 -EPDM 70	1.000	ST
9	6.362-528.0	O-Ring seal 9,5 X 2,0	1.000	ST
16	6.362-384.0	O-Ring seal 9x1,5 - NBR 70	1.000	ST
36	6.362-575.0	O-Ring seal 12,42 KOMPL	1.000	ST
45	6.362-381.0	O-Ring seal 13x2 - NBR 70	1.000	ST
18	6.362-481.0	O-Ring seal 14,0 x 2,0 NBR 80	4.000	ST
3	6.362-579.0	O-Ring seal 17,5 X 3,5	2.000	ST
42	6.362-161.0	O-Ring seal 19,3 X 2,4	1.000	ST
1	6.362-686.0	O-Ring seal 20,0 X 3,0	3.000	ST
33	6.362-547.0	O-Ring seal 20,0x1,5-NBR 70	3.000	ST
38	6.362-365.0	O-Ring seal complete 1ST.-R.- 7,65X 1,7	1.000	ST
11	4.423-024.0	Pressure gauge complete	1.000	ST
13	5.034-494.0	Retaining bracket	1.000	ST
6	6.303-153.0	Screw M5x15-ST-R2R (IN6RD)	1.000	ST

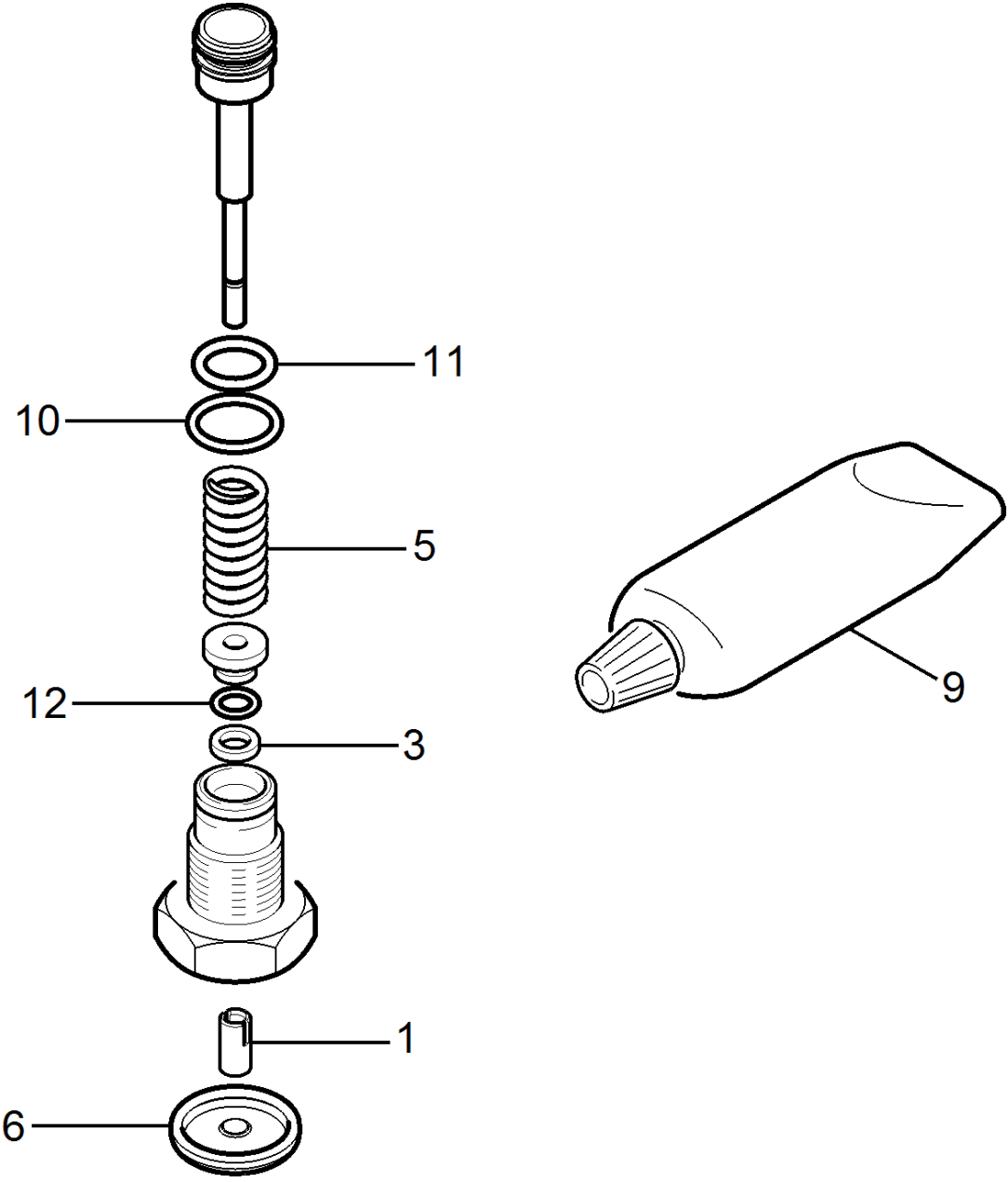
## 21 Cylinder head

POS	Article no.	Description	Quantity	Unit
15	5.411-152.0	Screw plug	1.000	ST
23	5.411-070.0	Screw plug	1.000	ST
48	5.363-613.0	Seal	1.000	ST
37	4.591-056.0	Set excess-current	1.000	ST
4	5.110-341.0	Sleeve	2.000	ST
29	2.884-853.0	Spare part set nozzle insert	1.000	ST
12	2.883-988.0	SPARE PARTS SET	1.000	ST
27	7.401-908.0	Sphere 7 G300 -1.4301 DIN 5401	1.000	ST
41	6.414-141.0	Strainer	1.000	ST
14	4.744-242.0	Switch kpl. -nur für Ersatz-	1.000	ST
32	2.884-512.0	Valve (3 Stueck)	2.000	ST
20	4.580-594.0	Valve complete	1.000	ST
19	5.583-146.3	Valve screw	3.000	ST
10	5.411-168.0	Valve screw M16x1	1.000	ST
34	5.583-177.0	Valve screw M20x1	3.000	ST
31	4.481-226.0	Valve seat complete	1.000	ST

## 11 Pressure gauge complete (4.423-024.0)

---

<b>POS</b>	<b>Article no.</b>	<b>Description</b>	<b>Quantity</b>	<b>Unit</b>
3	6.376-036.0	Label spare parts neutrally 65x55 MM	2.000	ZST

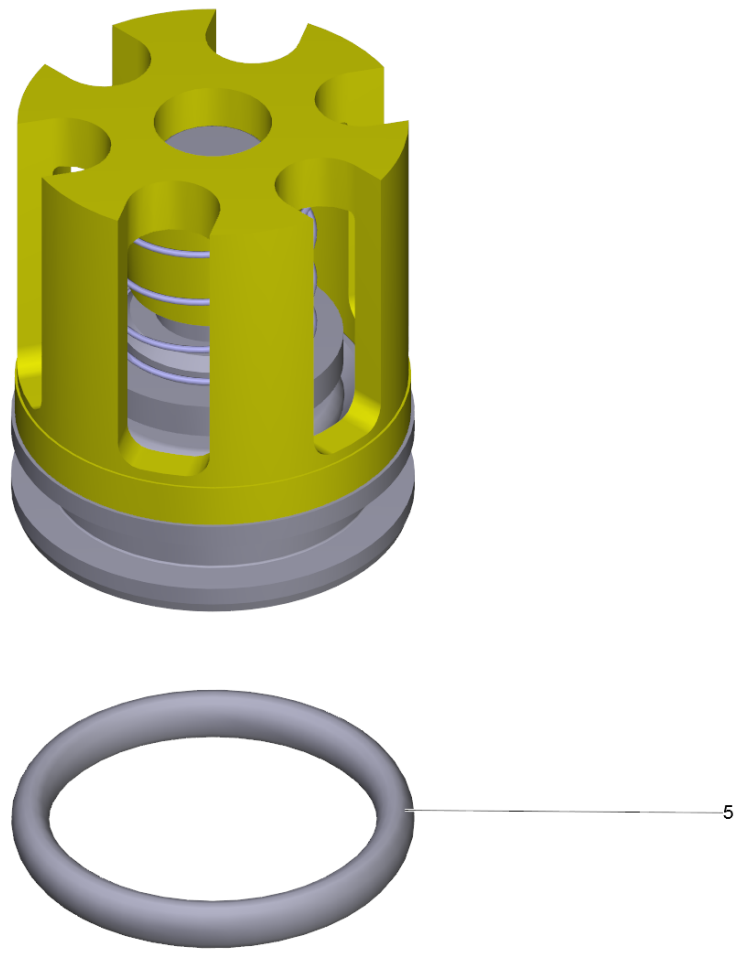


## 12 SPARE PARTS SET (2.883-988.0)

---

<b>POS</b>	<b>Article no.</b>	<b>Description</b>	<b>Quantity</b>	<b>Unit</b>
6	5.367-030.0	Diaphragm	1.000	ST
5	5.332-511.0	Helical spring	1.000	ST
12	6.363-241.0	O-Ring seal 2,90x1,78	1.000	ST
11	6.363-611.0	O-Ring seal 8,73 x 1,78 -NBR	1.000	ST
10	6.363-615.0	O-Ring seal 11 x 1,5 -NBR70	1.000	ST
9	6.288-044.0	Silicon grease 100 G	1.000	ST
1	5.110-947.0	Sleeve	1.000	ST
3	5.114-513.0	Supportring	1.000	ST

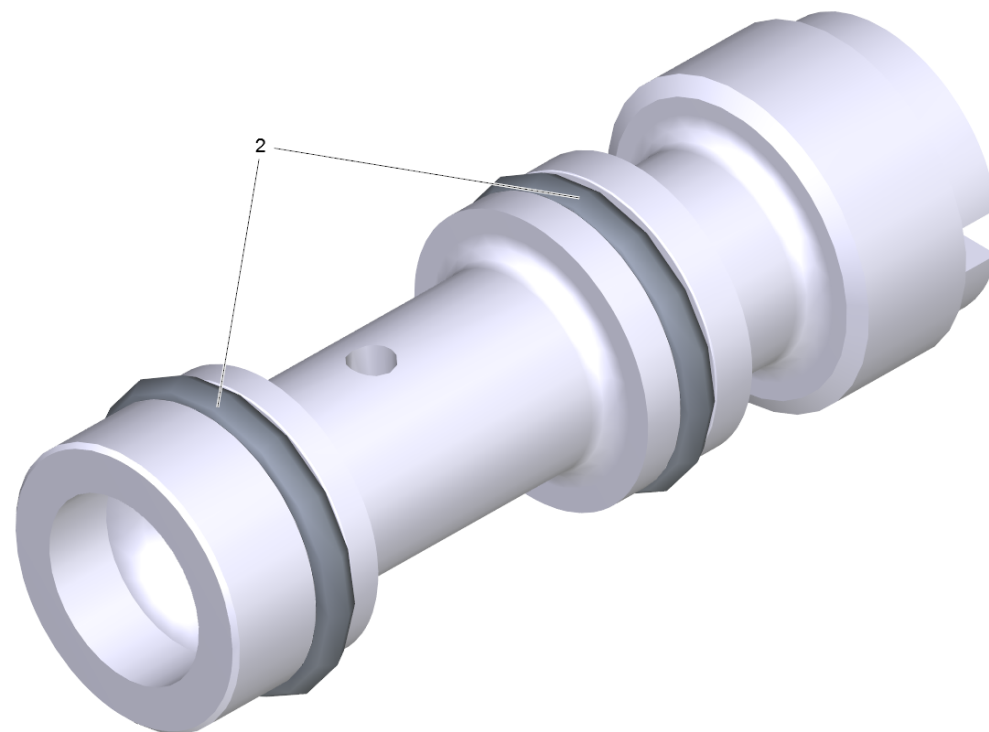




20 Valve complete (4.580-594.0)

---

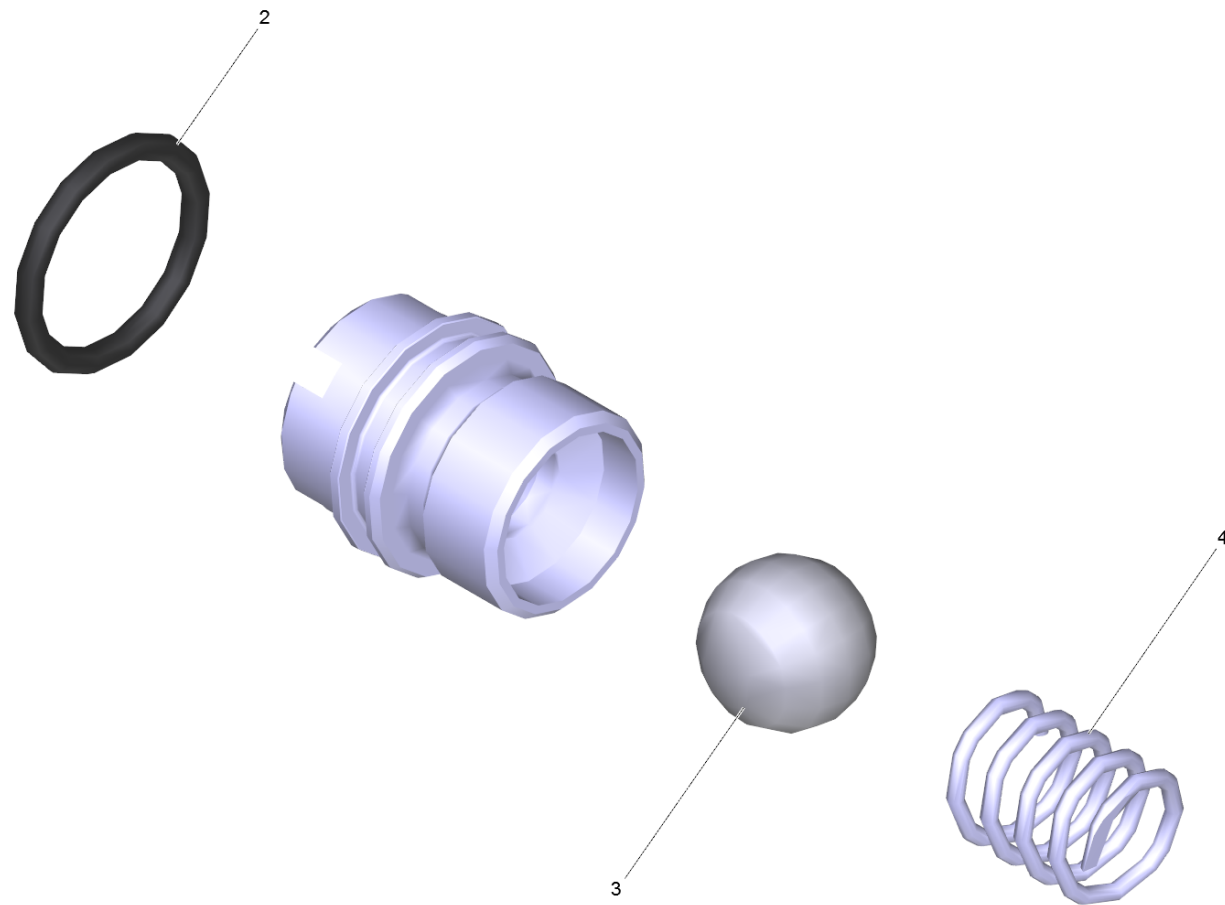
<b>POS</b>	<b>Article no.</b>	<b>Description</b>	<b>Quantity</b>	<b>Unit</b>
5	6.362-381.0	O-Ring seal 13x2 - NBR 70	1.000	ST



30 Nozzle insert (4.769-026.0)

---

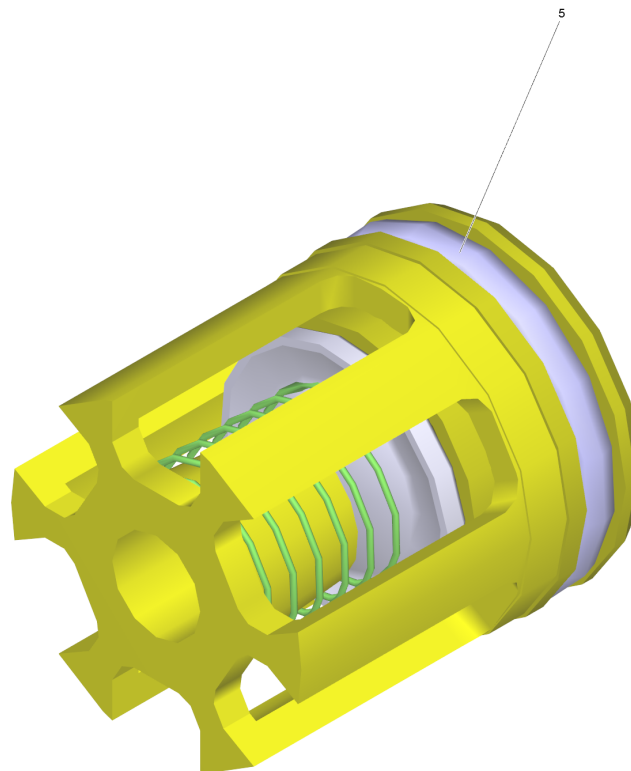
POS	Article no.	Description	Quantity	Unit
2	6.362-384.0	O-Ring seal 9x1,5 - NBR 70	2.000	ST



### 31 Valve seat complete (4.481-226.0)

---

<b>POS</b>	<b>Article no.</b>	<b>Description</b>	<b>Quantity</b>	<b>Unit</b>
4	5.332-999.0	Helical spring	1.000	ST
2	6.362-858.0	O-Ring seal 11,0 X 1,5	1.000	ST
3	7.401-907.0	Sphere 3/8 G200-1.4301 DIN 5401	1.000	ST

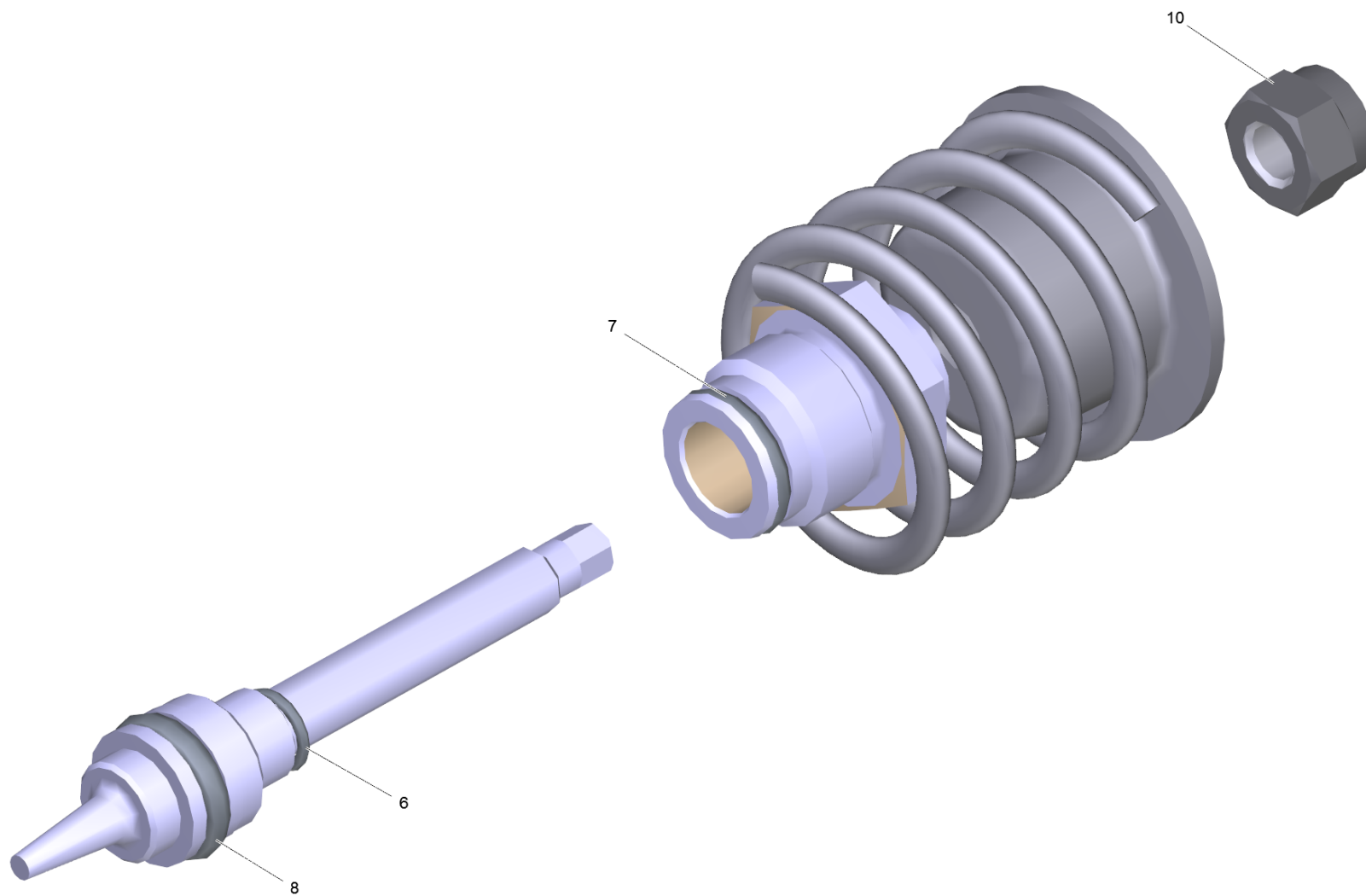


32 Valve (3 Stueck) (2.884-512.0)

---

<b>POS</b>	<b>Article no.</b>	<b>Description</b>	<b>Quantity</b>	<b>Unit</b>
5	6.363-003.0	O-Ring seal 13,0 X 2,0-NBR 90	1.000	ST

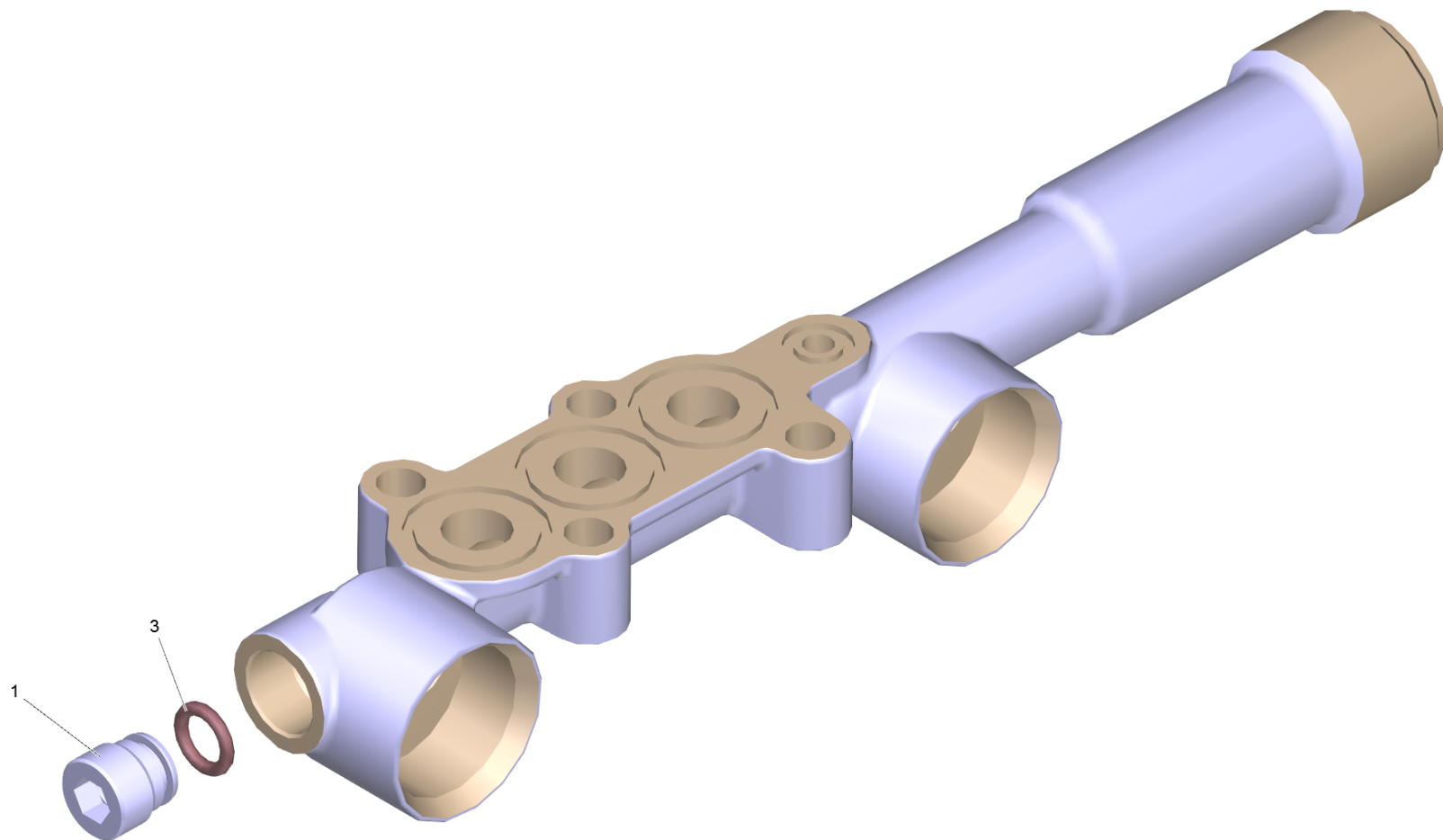




### 37 Set excess-current (4.591-056.0)

---

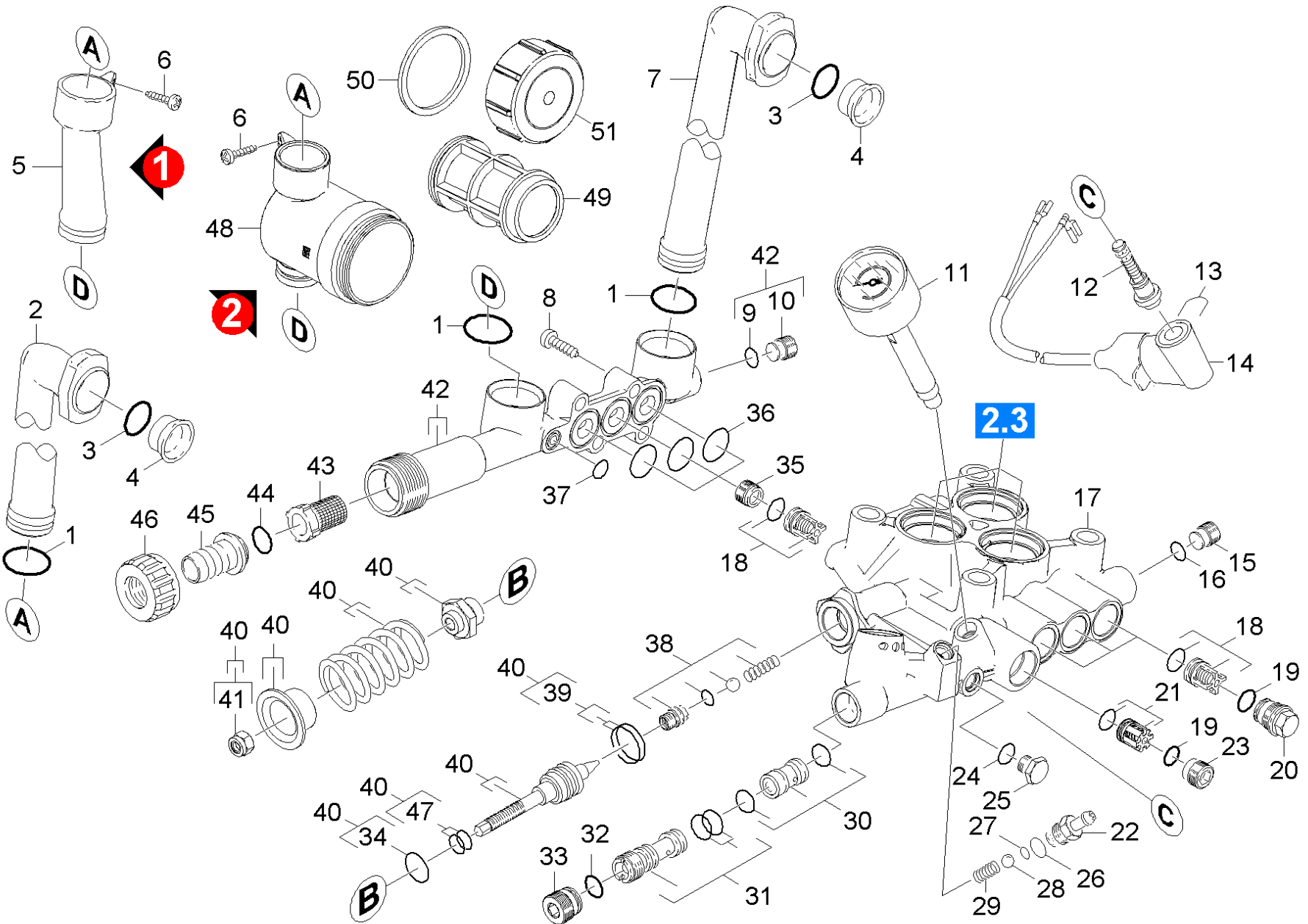
<b>POS</b>	<b>Article no.</b>	<b>Description</b>	<b>Quantity</b>	<b>Unit</b>
10	7.311-510.0	Hexagon nut M 8-8-A2E ISO 7040	1.000	ST
8	6.362-575.0	O-Ring seal 12,42 KOMPL	1.000	ST
7	6.362-381.0	O-Ring seal 13x2 - NBR 70	1.000	ST
6	6.362-365.0	O-Ring seal complete 1ST.-R.- 7,65X 1,7	1.000	ST



40 Manifold complete (4.427-310.0)

---

<b>POS</b>	<b>Article no.</b>	<b>Description</b>	<b>Quantity</b>	<b>Unit</b>
3	6.362-528.0	O-Ring seal 9,5 X 2,0	1.000	ST
1	5.411-168.0	Valve screw M16x1	1.000	ST



## 22 Cylinder head

POS	Article no.	Description	Quantity	Unit
23	5.411-166.0	CLOSING SCREW	1.000	ST
51	5.064-107.0	Cover	1.000	ST
17	4.550-946.0	Cylinder head -nur fuer Ersatz-	1.000	ST
8	7.306-043.0	Cylinder head screw M8x30 -8.8-A2E ISO	1.000	ST
49	6.414-949.0	Filter cartridge	1.000	ST
48	5.605-348.0	Filter housing	1.000	ST
29	5.332-258.0	Helical spring	1.000	ST
41	7.311-510.0	Hexagon nut M 8-8-A2E ISO 7040	1.000	ST
45	5.443-291.0	Hose stem	1.000	ST
2	5.427-307.0	Manifold	1.000	ST
42	4.427-310.0	Manifold complete	1.000	ST
7	5.427-298.0	Manifold short	1.000	ST
5	5.427-411.0	Manifold short	1.000	ST
22	5.443-624.0	Nipple	1.000	ST
31	4.769-026.0	Nozzle insert	1.000	ST
46	5.310-076.0	Nut	1.000	ST
27	6.363-597.0	O-Ring seal 5,28 x 1,78	1.000	ST
26	6.362-113.0	O-Ring seal 6,0 x 2,0 NBR 70	1.000	ST
24	6.362-690.0	O-Ring seal 7x2 - NBR 70	1.000	ST
37	6.362-388.0	O-Ring seal 8,0x1,5 -EPDM 70	1.000	ST
9	6.362-528.0	O-Ring seal 9,5 X 2,0	1.000	ST
16	6.362-384.0	O-Ring seal 9x1,5 - NBR 70	1.000	ST
39	6.362-575.0	O-Ring seal 12,42 KOMPL	1.000	ST
32	6.362-480.0	O-Ring seal 12,42x 1,78	1.000	ST
34	6.362-381.0	O-Ring seal 13x2 - NBR 70	1.000	ST
19	6.362-481.0	O-Ring seal 14,0 x 2,0 NBR 80	4.000	ST
3	6.362-579.0	O-Ring seal 17,5 X 3,5	2.000	ST
44	6.362-161.0	O-Ring seal 19,3 X 2,4	1.000	ST
1	6.362-686.0	O-Ring seal 20,0 X 3,0	3.000	ST
36	6.362-547.0	O-Ring seal 20,0x1,5-NBR 70	3.000	ST
47	6.362-365.0	O-Ring seal complete 1ST.-R.- 7,65X 1,7	1.000	ST
11	4.423-024.0	Pressure gauge complete	1.000	ST
13	5.034-494.0	Retaining bracket	1.000	ST

## 22 Cylinder head

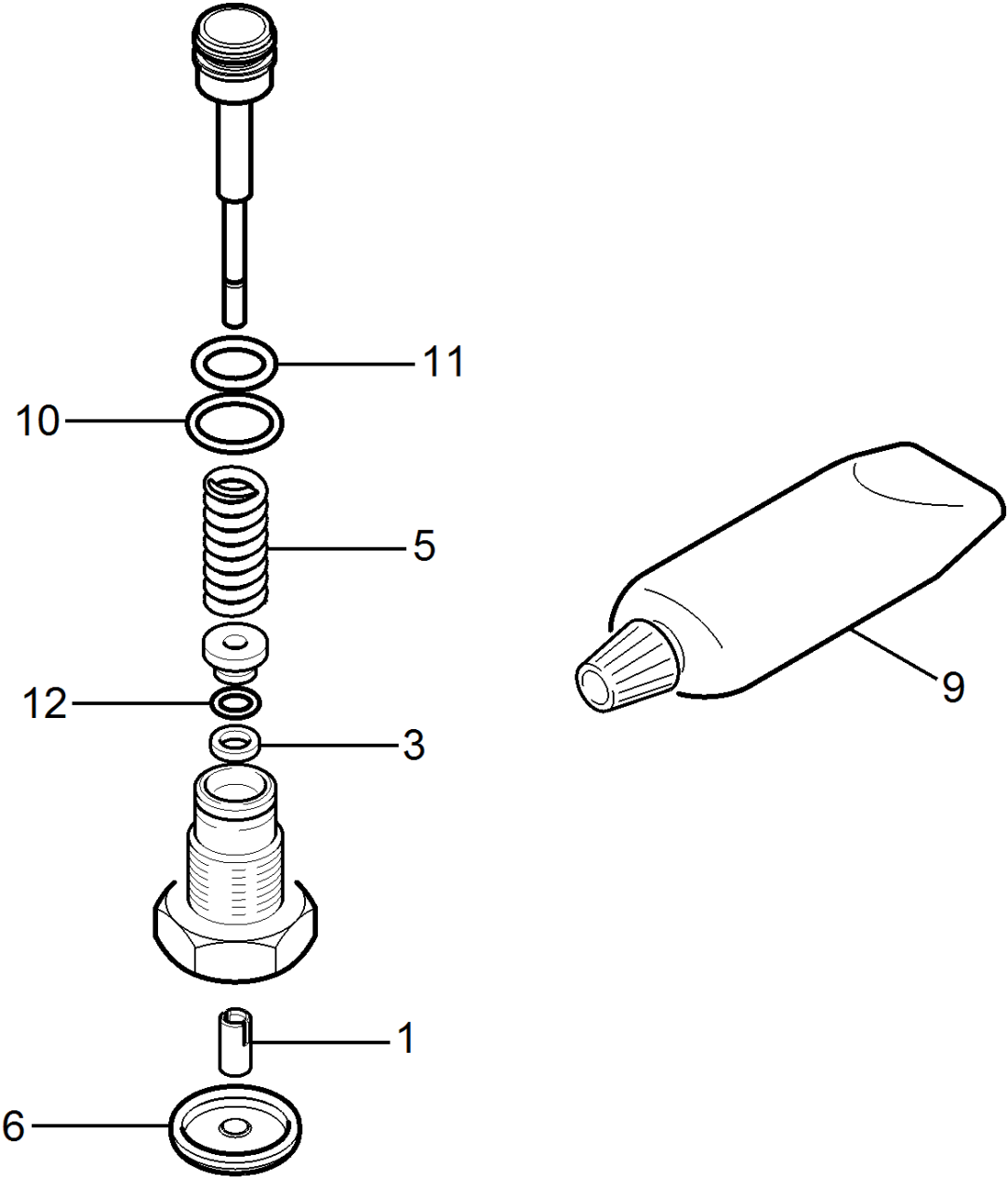
POS	Article no.	Description	Quantity	Unit
6	6.303-153.0	Screw M5x15-ST-R2R (IN6RD)	1.000	ST
25	5.411-070.0	Screw plug	1.000	ST
15	5.411-152.0	Screw plug	1.000	ST
33	5.411-171.0	Screw plug	1.000	ST
50	5.363-613.0	Seal	1.000	ST
40	4.591-056.0	Set excess-current	1.000	ST
4	5.110-341.0	Sleeve	2.000	ST
30	2.884-853.0	Spare part set nozzle insert	1.000	ST
12	2.883-988.0	SPARE PARTS SET	1.000	ST
28	7.401-908.0	Sphere 7 G300 -1.4301 DIN 5401	1.000	ST
43	6.414-141.0	Strainer	1.000	ST
14	4.744-242.0	Switch kpl. -nur für Ersatz-	1.000	ST
18	2.884-512.0	Valve (3 Stueck)	2.000	ST
21	4.580-594.0	Valve complete	1.000	ST
20	5.583-146.3	Valve screw	3.000	ST
10	5.411-168.0	Valve screw M16x1	1.000	ST
35	5.583-177.0	Valve screw M20x1	3.000	ST
38	4.481-225.0	Valve seat complete HD6/16	1.000	ST

## 11 Pressure gauge complete (4.423-024.0)

---

<b>POS</b>	<b>Article no.</b>	<b>Description</b>	<b>Quantity</b>	<b>Unit</b>
3	6.376-036.0	Label spare parts neutrally 65x55 MM	2.000	ZST

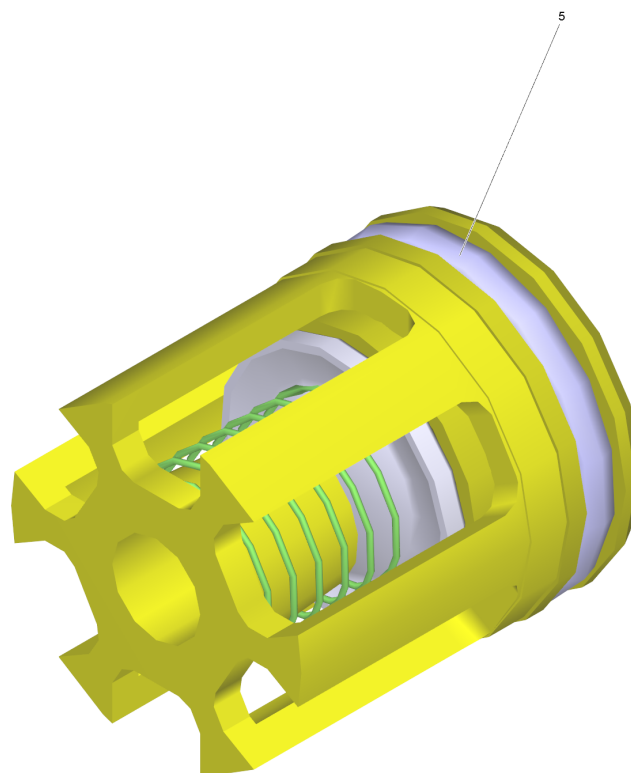




## 12 SPARE PARTS SET (2.883-988.0)

---

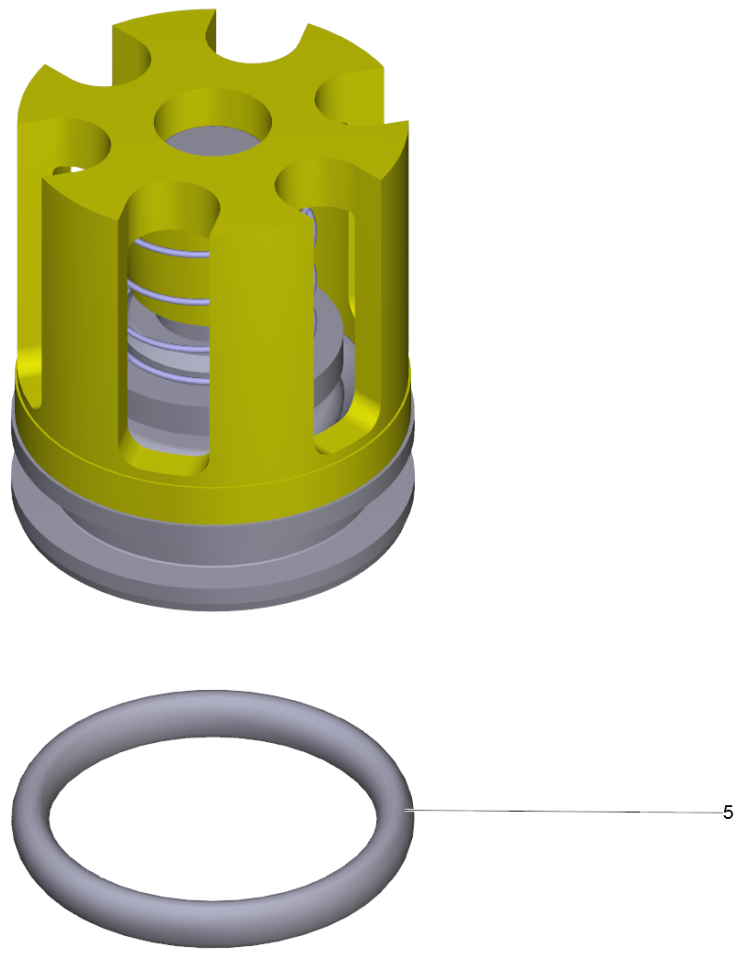
<b>POS</b>	<b>Article no.</b>	<b>Description</b>	<b>Quantity</b>	<b>Unit</b>
6	5.367-030.0	Diaphragm	1.000	ST
5	5.332-511.0	Helical spring	1.000	ST
12	6.363-241.0	O-Ring seal 2,90x1,78	1.000	ST
11	6.363-611.0	O-Ring seal 8,73 x 1,78 -NBR	1.000	ST
10	6.363-615.0	O-Ring seal 11 x 1,5 -NBR70	1.000	ST
9	6.288-044.0	Silicon grease 100 G	1.000	ST
1	5.110-947.0	Sleeve	1.000	ST
3	5.114-513.0	Supportring	1.000	ST



18 Valve (3 Stueck) (2.884-512.0)

---

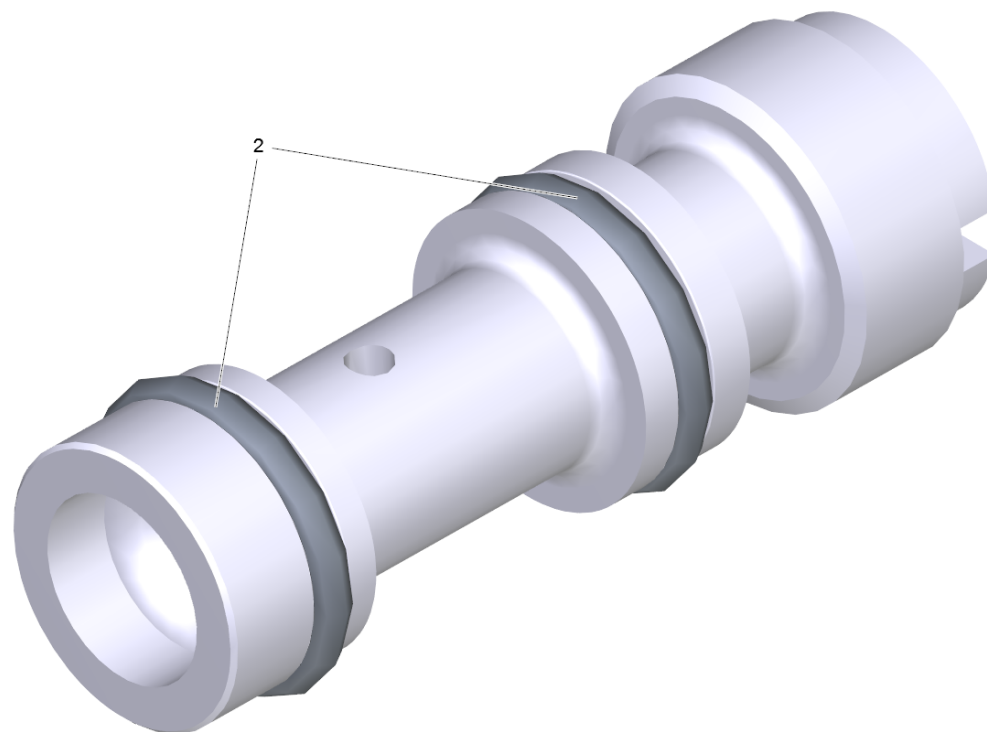
POS	Article no.	Description	Quantity	Unit
5	6.363-003.0	O-Ring seal 13,0 X 2,0-NBR 90	1.000	ST



21 Valve complete (4.580-594.0)

---

<b>POS</b>	<b>Article no.</b>	<b>Description</b>	<b>Quantity</b>	<b>Unit</b>
5	6.362-381.0	O-Ring seal 13x2 - NBR 70	1.000	ST

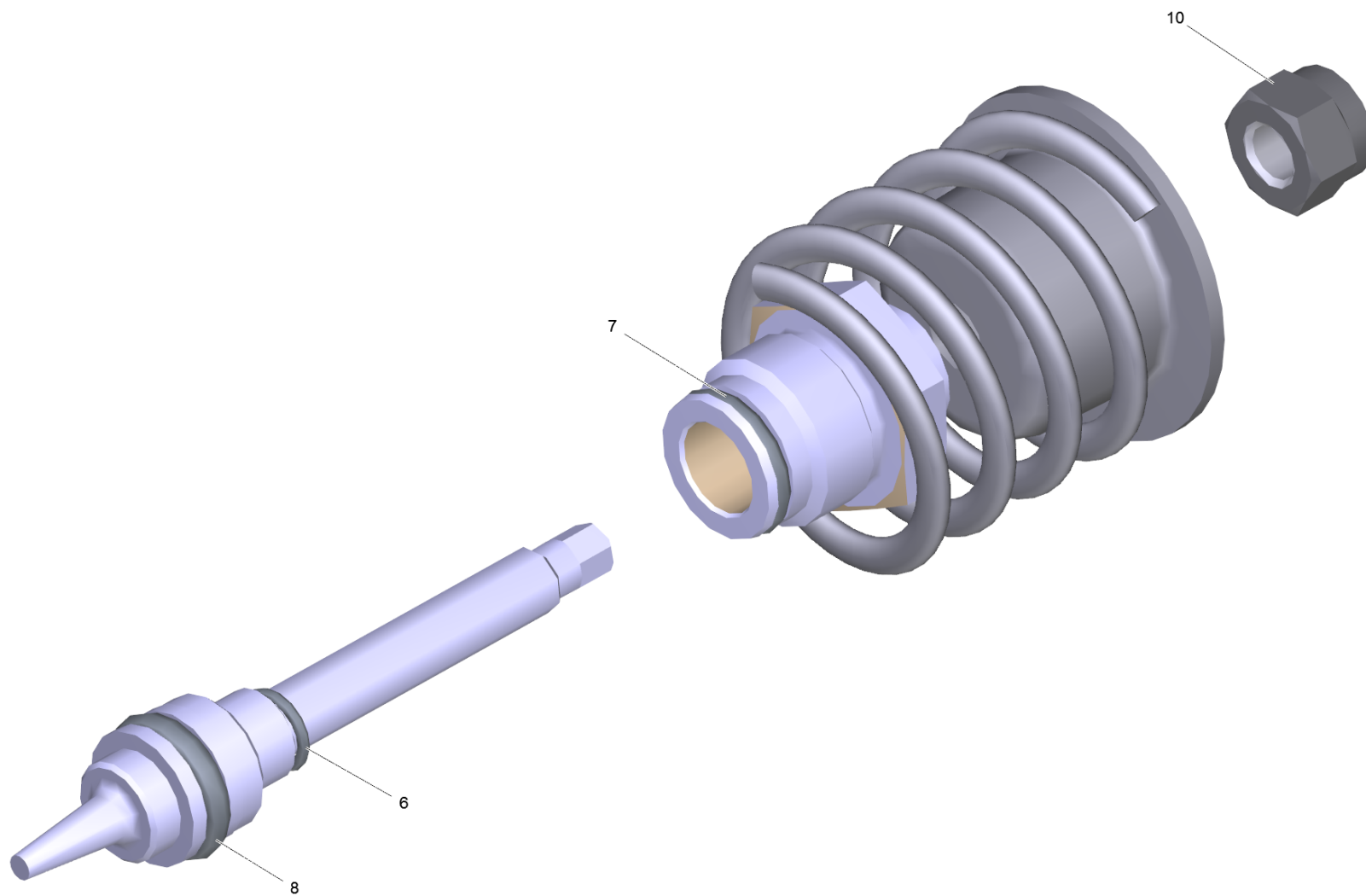


31 Nozzle insert (4.769-026.0)

---

POS	Article no.	Description	Quantity	Unit
2	6.362-384.0	O-Ring seal 9x1,5 - NBR 70	2.000	ST

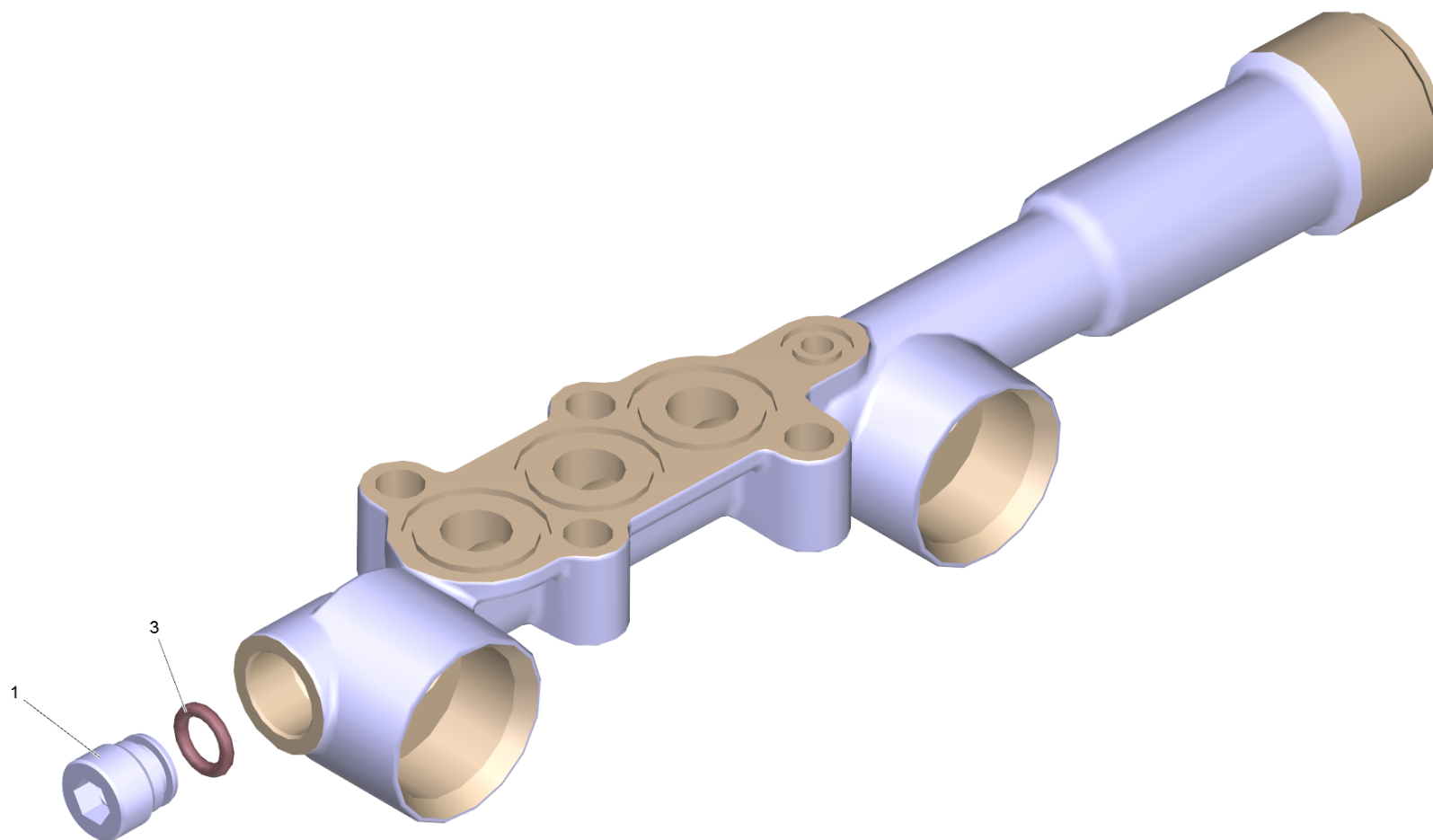




#### 40 Set excess-current (4.591-056.0)

---

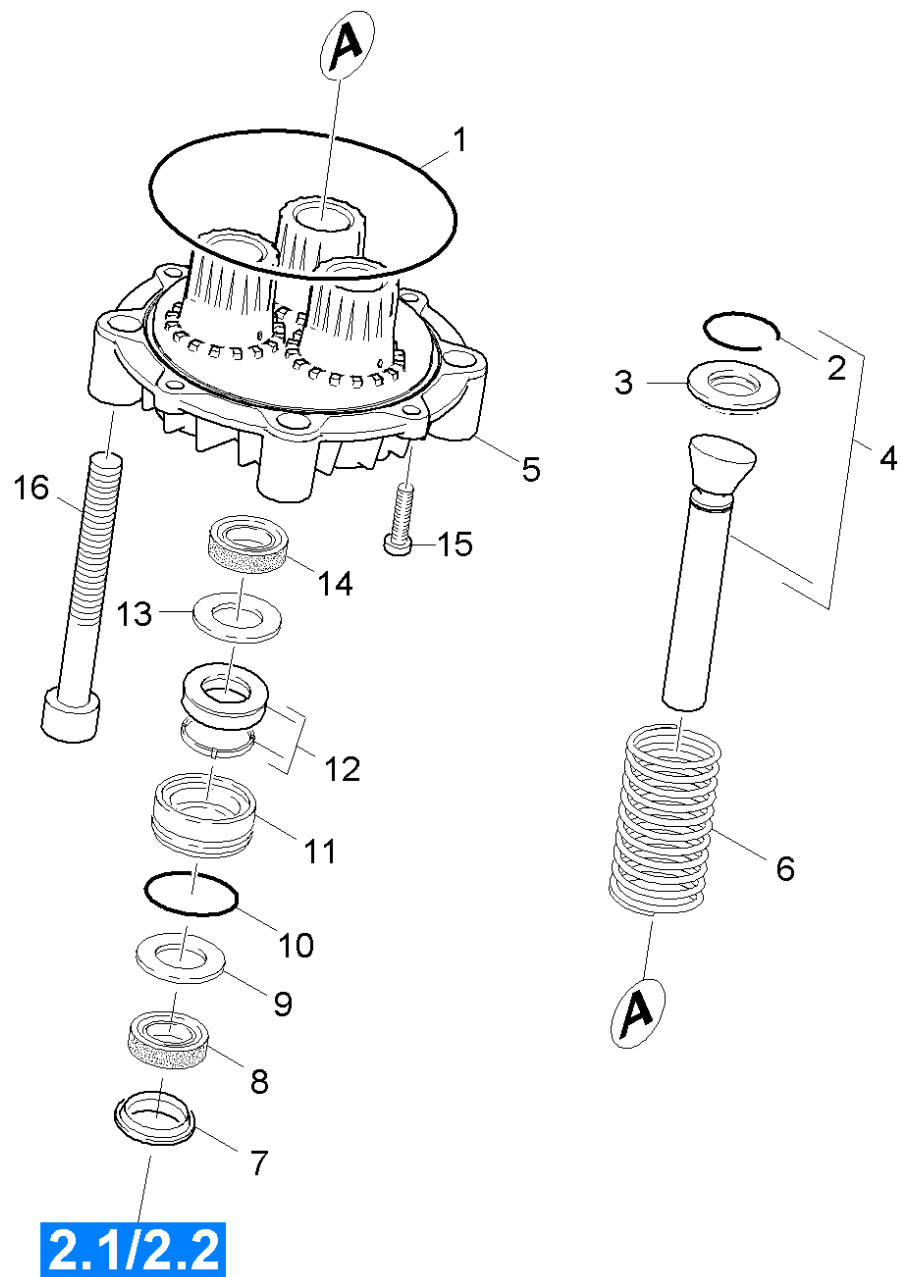
<b>POS</b>	<b>Article no.</b>	<b>Description</b>	<b>Quantity</b>	<b>Unit</b>
10	7.311-510.0	Hexagon nut M 8-8-A2E ISO 7040	1.000	ST
8	6.362-575.0	O-Ring seal 12,42 KOMPL	1.000	ST
7	6.362-381.0	O-Ring seal 13x2 - NBR 70	1.000	ST
6	6.362-365.0	O-Ring seal complete 1ST.-R.- 7,65X 1,7	1.000	ST



42 Manifold complete (4.427-310.0)

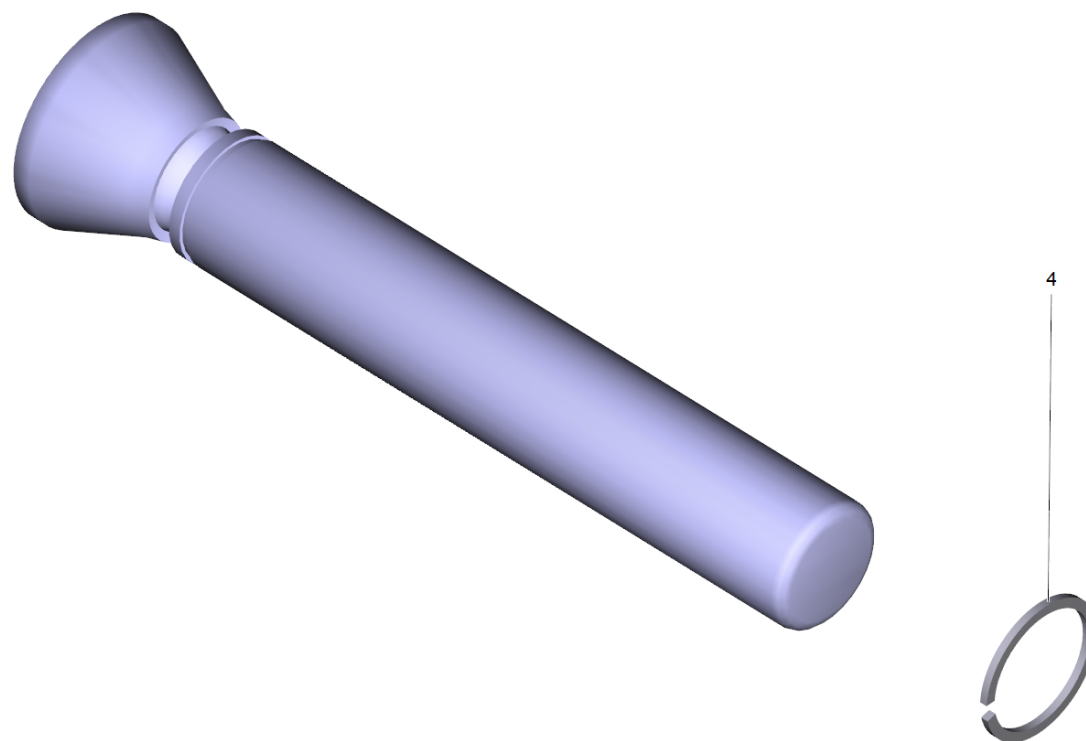
---

<b>POS</b>	<b>Article no.</b>	<b>Description</b>	<b>Quantity</b>	<b>Unit</b>
3	6.362-528.0	O-Ring seal 9,5 X 2,0	1.000	ST
1	5.411-168.0	Valve screw M16x1	1.000	ST



## 23 Thrust guidance

POS	Article no.	Description	Quantity	Unit
11	5.112-778.0	Bush	3.000	ST
16	7.306-155.0	Cylinder head screw M12x100 -8.8-A3E IS	4.000	ST
14	6.365-052.0	Grooved ring 20X28X6/8	3.000	ST
8	6.365-377.0	Grooved ring 20x30x6	3.000	ST
6	5.332-550.0	Helical spring	3.000	ST
10	6.362-406.0	O-Ring seal 33,05X 1,78-NBR 70	3.000	ST
1	6.362-613.0	O-Ring seal 101,27X 2,62-NBR 70	1.000	ST
4	4.553-279.0	Piston complete	3.000	ST
15	7.306-092.0	Screw M6x20-ST- 8.8-R3R (IN6RD)	2.000	ST
12	6.365-380.0	Set of gaskets low-pressure	3.000	ST
2	6.472-331.0	Snap ring 20	3.000	ST
7	6.365-378.0	Supportring 20x30x4,2	3.000	ST
5	5.061-185.3	Thrust guidance	1.000	ST
13	5.115-255.0	Washer	3.000	ST
9	5.115-538.0	Washer	3.000	ST
3	5.116-310.0	Washer	3.000	ST



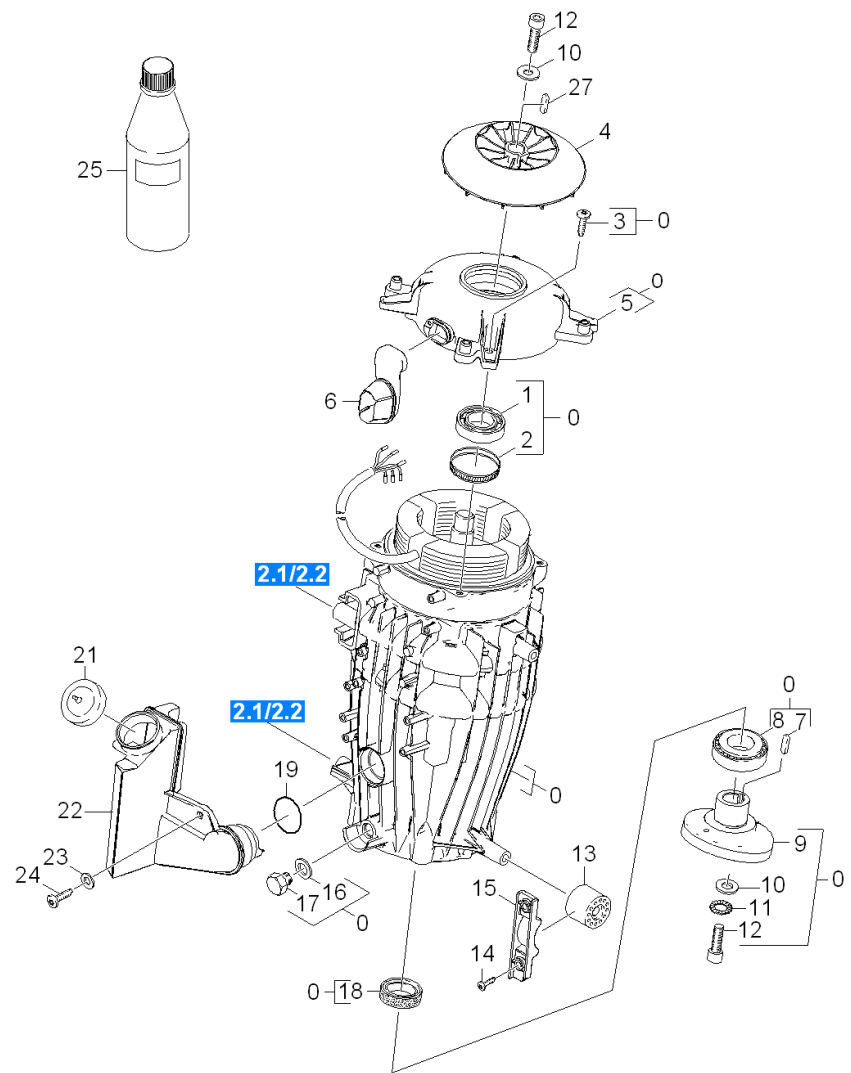
4 Piston complete (4.553-279.0)

---

POS	Article no.	Description	Quantity	Unit
4	6.472-331.0	Snap ring 20	1.000	ST

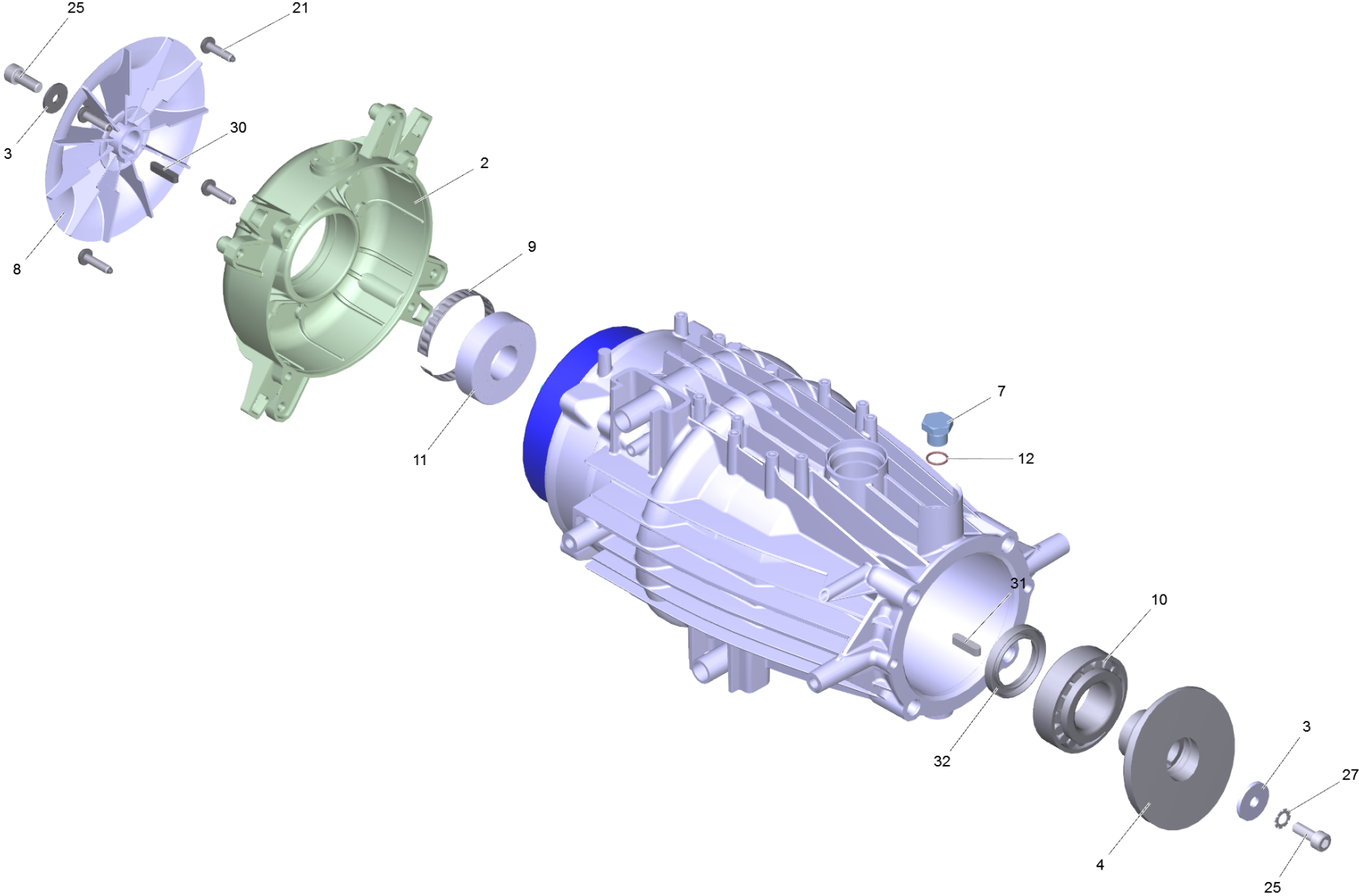
---





## 30 Motor

POS	Article no.	Description	Quantity	Unit
1	6.401-253.0	Ball bearing 6305-2Z	1.000	ST
5	5.061-186.0	Bearing cover B	1.000	ST
4	5.600-082.0	Blower wheel	1.000	ST
21	5.064-457.0	Cover plate qusty grey oil	1.000	ST
12	7.306-041.0	Cylinder head screw M8x20 -8.8-A2E ISO	2.000	ST
25	6.288-016.0	Gear oil 1L	1.000	ST
0	4.623-871.0	Motor complete only for replacement	1.000	ST
15	5.802-288.0	Mounting part	2.000	ST
16	6.362-458.0	O-Ring seal 11,0x2,0-NBR 70	2.000	ST
19	6.362-722.0	O-Ring seal 28,0 X 3,0	1.000	ST
7	7.318-030.0	Parallel key 6x6x25 -C45K DIN 6885-1	1.000	ST
27	7.318-079.0	Parallel key A 5x5x25-C45K DIN 6885	1.000	ST
6	5.365-270.0	Profile gasket	1.000	ST
18	7.367-009.0	Radial shaft seal ring A35x52x7-NBR DIN	2.000	ST
13	5.767-005.0	Rubber buffer	4.000	ST
14	7.303-108.0	Screw 5x20 -10.9-R2R (In6Rd)	4.000	ST
24	6.303-153.0	Screw M5x15-ST-R2R (IN6RD)	1.000	ST
17	5.411-100.0	Screw plug	2.000	ST
3	6.303-515.0	Self-tapping screw M6x25	4.000	ST
22	5.070-658.0	Tank oil	1.000	ST
8	6.401-405.0	Taper roller bearing	1.000	ST
2	6.343-010.0	Tolerance ring 62x10	1.000	ST
11	7.312-159.0	Toothed lock washer A8,4-FST-PH DIN 679	1.000	ST
10	5.115-565.0	Washer	2.000	ST
23	7.312-260.0	Washer 6 -100HV-A3E ISO 7094	1.000	ST
9	4.120-239.0	Wobble plate -nur für Ersatz-	1.000	ST



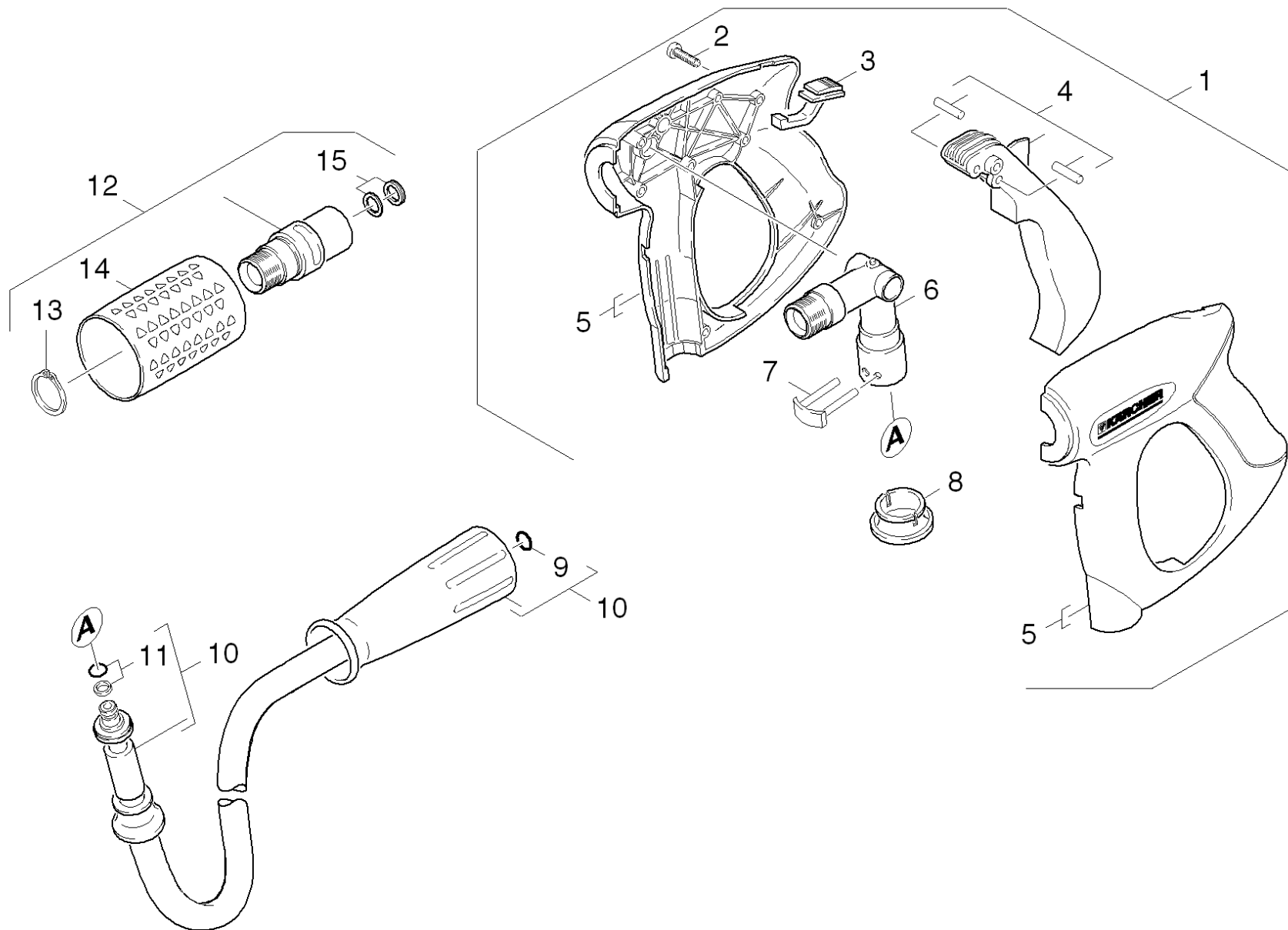
Motor complete only for replacement (4.623-871.0)

POS	Article no.	Description	Quantity	Unit
11	6.401-253.0	Ball bearing 6305-2Z	1.000	ST
2	5.061-186.0	Bearing cover B	1.000	ST
8	5.600-082.0	Blower wheel	1.000	ST
25	7.306-041.0	Cylinder head screw M8x20 -8.8-A2E ISO	2.000	ST
17	6.869-072.0	Metal bonding agent	0.001	ZST
	<b>cart_info_txt:</b> This material is not available due to hazardous good regulation. Please procure this or a similar material from a local supplier of your choice. Metal bonding agent Loctite 245			
12	6.362-028.0	O-Ring seal 11x2,2 NBR 70	1.000	ST
31	7.318-030.0	Parallel key 6x6x25 -C45K DIN 6885-1	1.000	ST
30	7.318-079.0	Parallel key A 5x5x25-C45K DIN 6885	1.000	ST
32	7.367-009.0	Radial shaft seal ring A35x52x7-NBR DIN	1.000	ST
7	5.411-100.0	Screw plug	1.000	ST
21	6.303-515.0	Self-tapping screw M6x25	4.000	ST
10	6.401-405.0	Taper roller bearing	1.000	ST
9	6.343-010.0	Tolerance ring 62x10	1.000	ST
27	7.312-159.0	Toothed lock washer A8,4-FST-PH DIN 679	1.000	ST
3	5.115-565.0	Washer	2.000	ST
4	4.120-239.0	Wobble plate -nur für Ersatz-	1.000	ST

## 40 Accessories

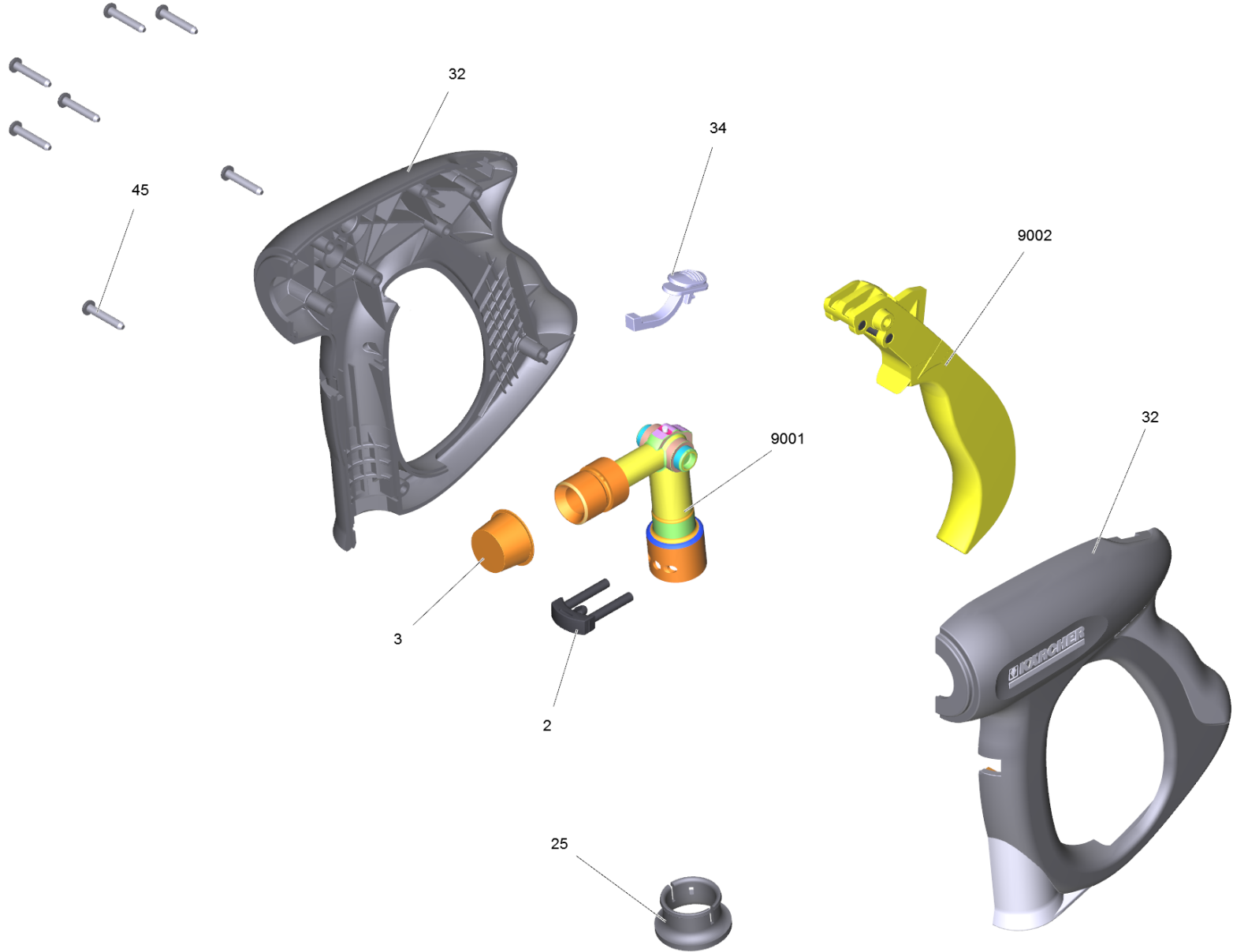
---

POS	Description	Quantity	Unit	Remark
42	Hand trigger gun	1.000	ST	
41	Hand trigger gun	1.000	ST	
43	Jet pipe	1.000	ST	
45	Nozzle	1.000	ST	VERSION 2
44	Nozzle	1.000	ST	VERSION 1



## 41 Hand trigger gun

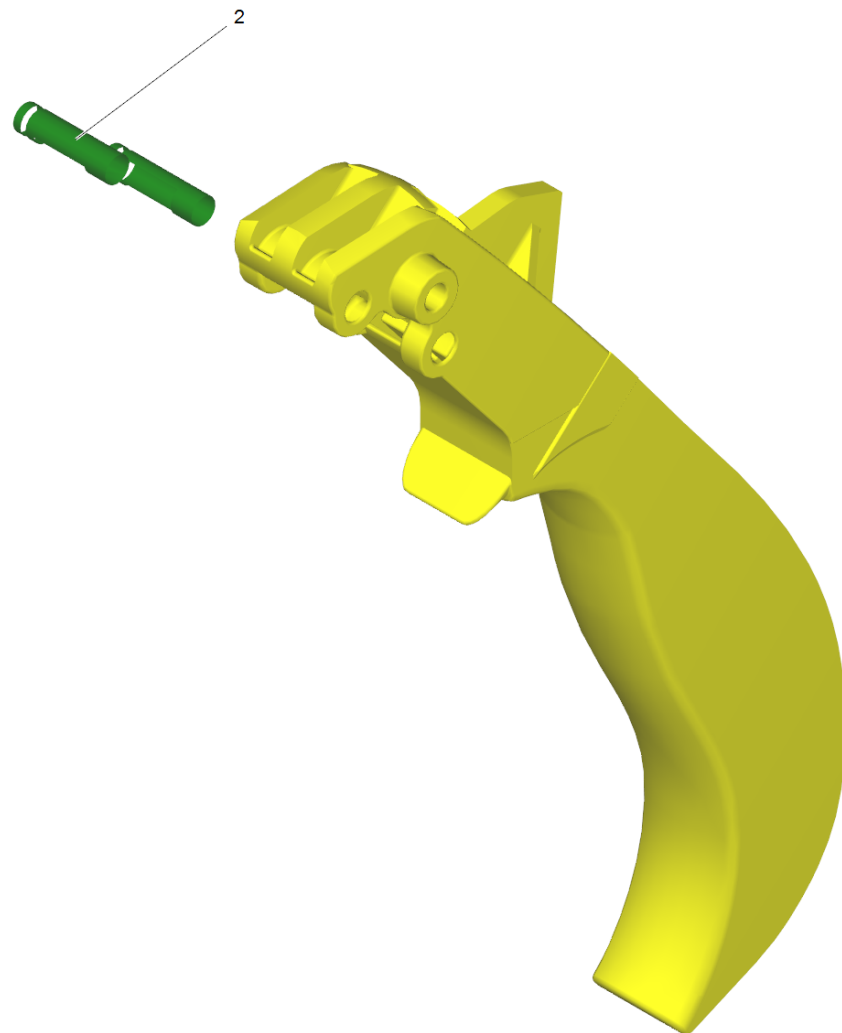
POS	Article no.	Description	Quantity	Unit
15	4.363-695.0	Grooved ring only for replacement	1.000	ST
5	5.321-669.3	Handhold few	1.000	ST
14	5.321-668.0	Handle	1.000	ST
1	4.775-463.0	HAND TRIGGER GUN EASY PRESS	1.000	ST
	<b>Item text1:</b> 1.524-401.0 / -402.0 / -403.0			
7	4.037-013.0	Hook	1.000	ST
10	6.390-025.0	Hose assembly DN8 max.31,5MPa 10m	1.000	ST
4	4.481-209.0	Lever complete	1.000	ST
13	7.343-008.0	Locking ring 25x1,2-St-vz DIN 471	1.000	ST
6	4.427-215.0	Manifold complete only for replacement	1.000	ST
11	4.363-691.0	O-Ring seal kpl. -nur fuer Ersatz-	2.000	ST
12	4.775-470.0	Rotary controller 416L	1.000	ST
2	7.303-096.0	Screw 4x22 -ST-10.9-R2R (IN6RD)	7.000	ST
8	5.110-596.0	Sleeve	1.000	ST
3	5.481-331.0	Slider	1.000	ST
9	2.880-990.0	Spare part set O-Ring 5x -Kaercher	1.000	ST





# 1 HAND TRIGGER GUN EASY PRESS (4.775-463.0)

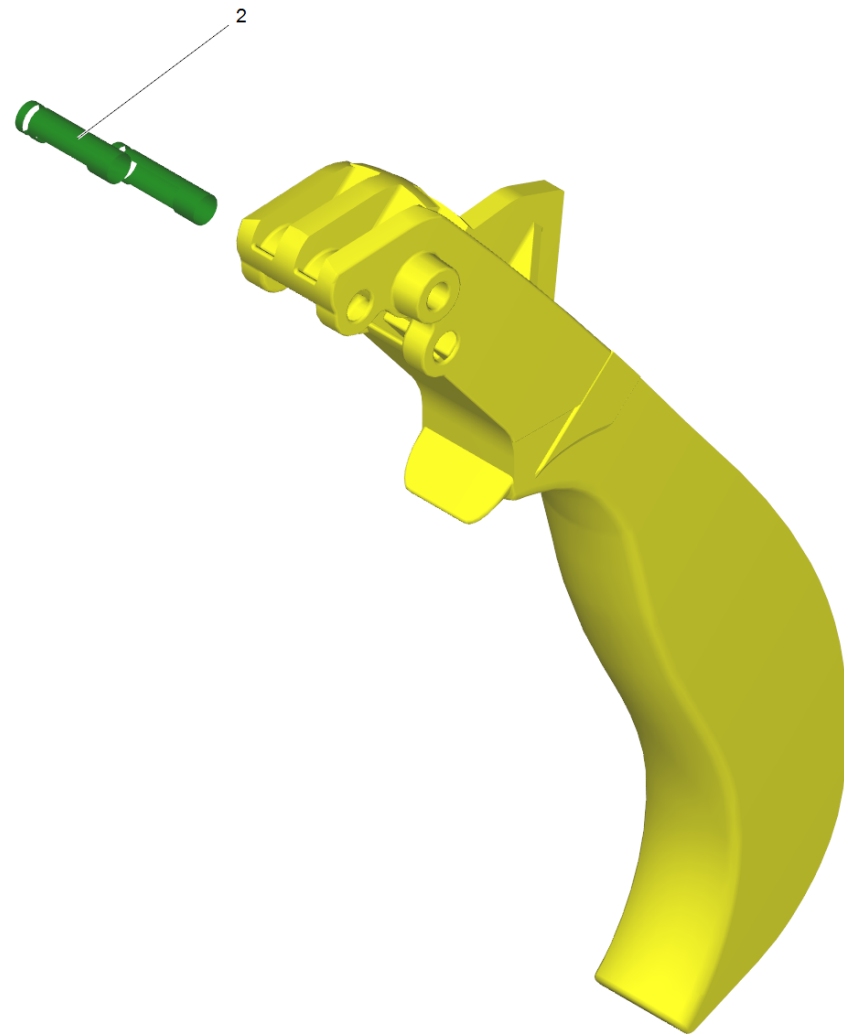
POS	Article no.	Description	Quantity	Unit
32	5.321-669.3	Handhold few	1.000	ST
2	4.037-013.0	Hook	1.000	ST
9002	4.481-209.0	Lever complete	1.000	ST
9001	4.427-215.0	Manifold complete only for replacement	1.000	ST
4	6.869-075.0	Metal bonding agent 1,5 ml	1.000	ST
<b>cart_info_txt:</b> This material is not available due to hazardous good regulation. Please procure this or a similar material from a local supplier of your choice.				
3	6.368-012.0	Protecting cap 22X1,5	1.000	ST
45	7.303-096.0	Screw 4x22 -ST-10.9-R2R (IN6RD)	7.000	ST
1041	6.288-044.0	Silicon grease 100 G	1.000	ST
25	5.110-596.0	Sleeve	1.000	ST
34	5.481-331.0	Slider	1.000	ST



9002 Lever complete (4.481-209.0)

---

POS	Article no.	Description	Quantity	Unit
2	5.314-119.0	Pin	2.000	ST

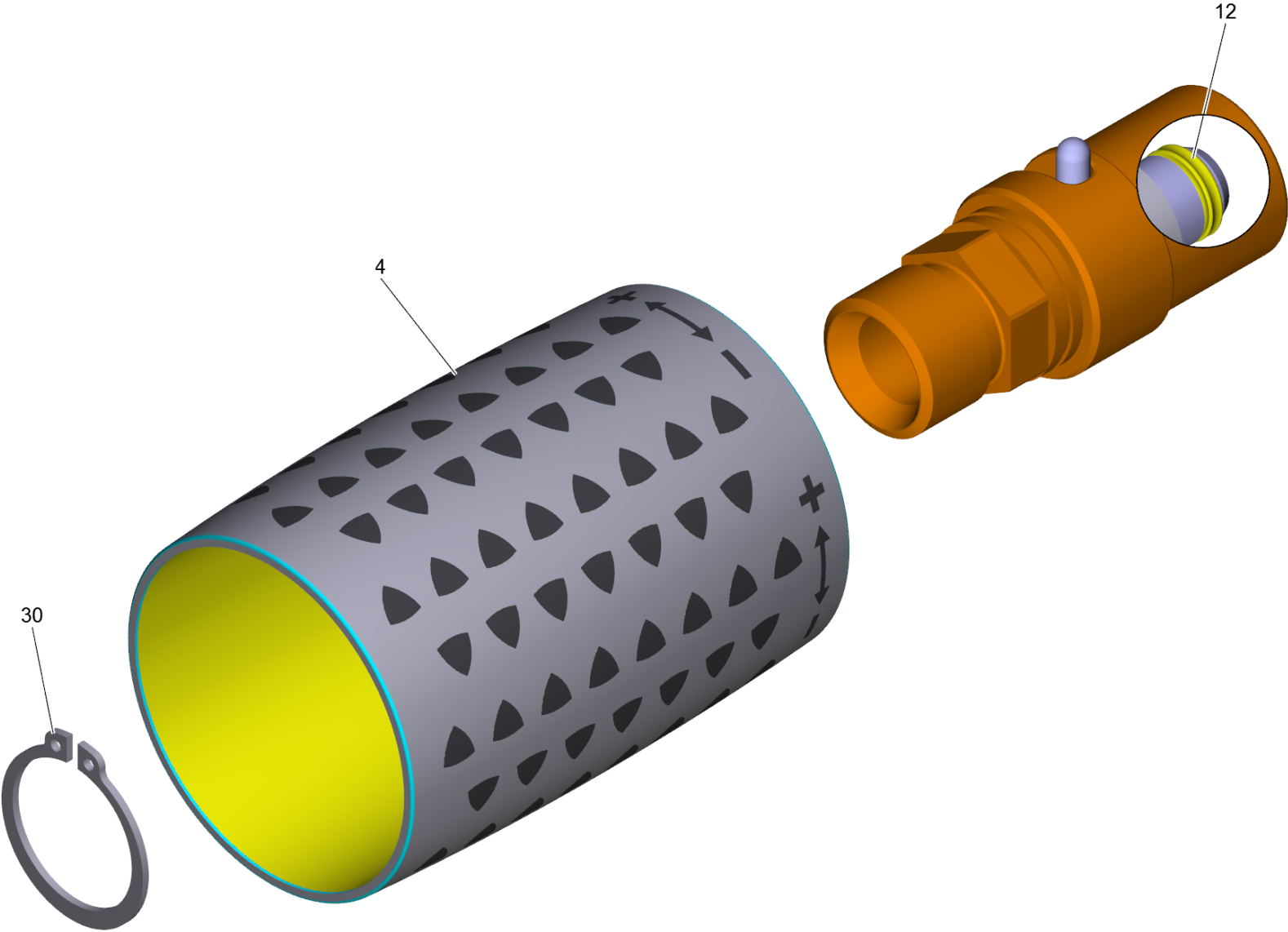


4 Lever complete (4.481-209.0)

---

POS	Article no.	Description	Quantity	Unit
2	5.314-119.0	Pin	2.000	ST

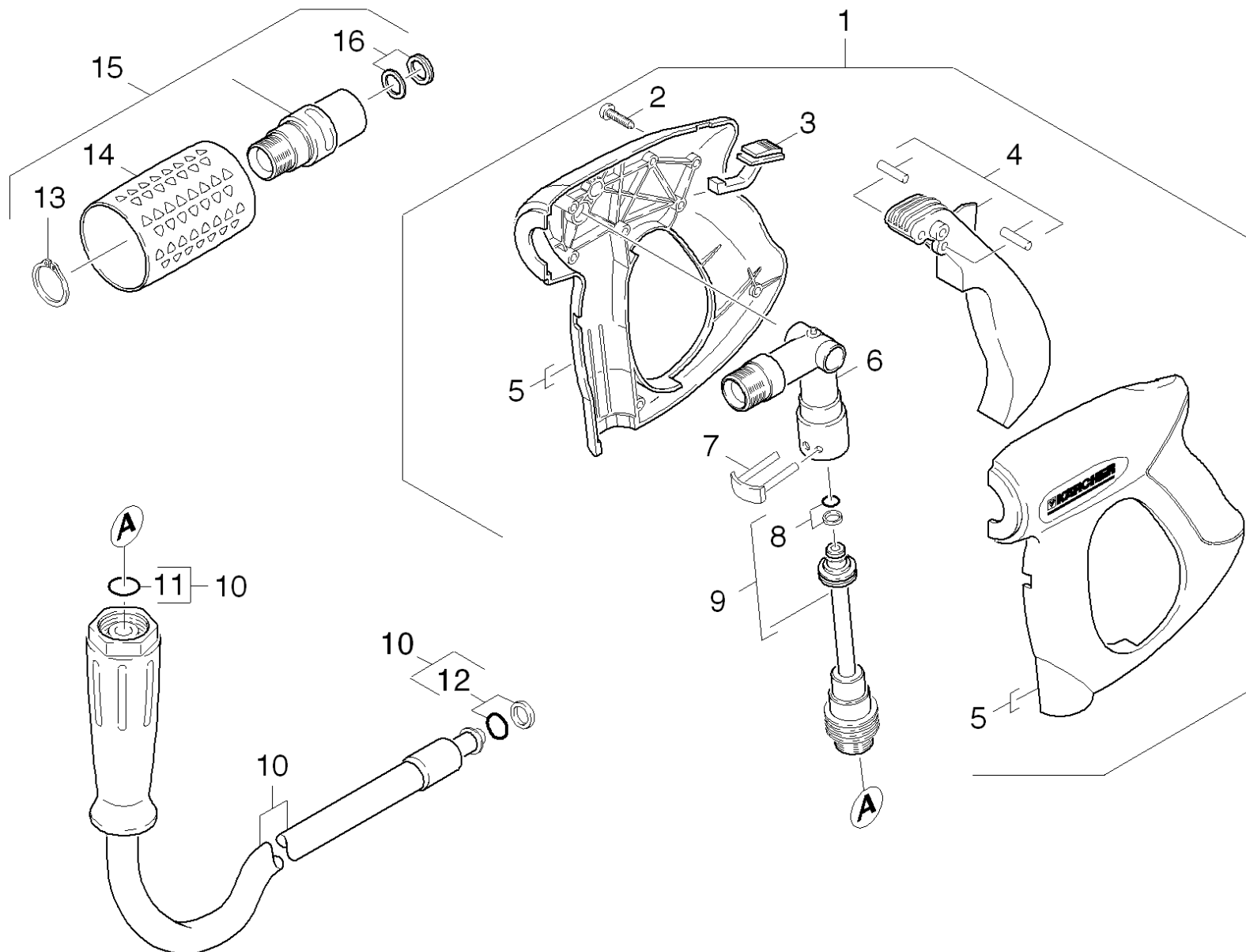
---



## 12 Rotary controller 416L (4.775-470.0)

---

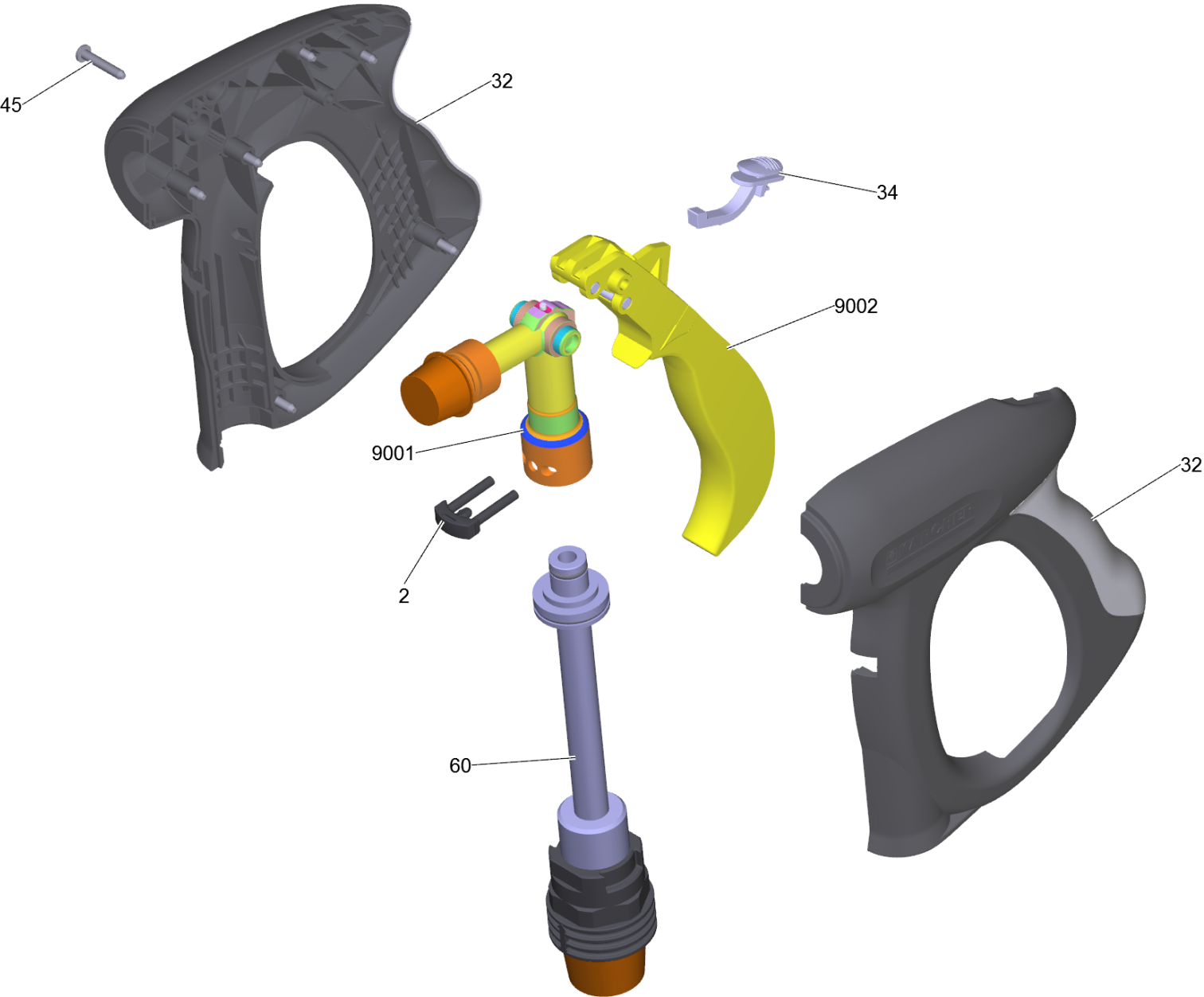
<b>POS</b>	<b>Article no.</b>	<b>Description</b>	<b>Quantity</b>	<b>Unit</b>
4	5.321-668.0	Handle	1.000	ST
30	7.343-069.0	Locking ring 25x1,2-1.4122 DIN 471	1.000	ST
12	2.880-001.0	Spare part set seals TR	1.000	ST





## 42 Hand trigger gun

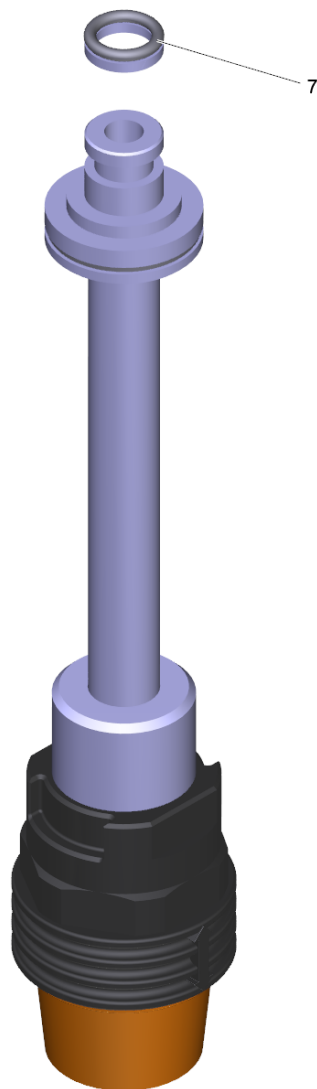
POS	Article no.	Description	Quantity	Unit
9	4.421-739.3	Adapter pipelines AVS-M22x1,5	1.000	ST
16	4.363-695.0	Grooved ring only for replacement	1.000	ST
5	5.321-669.3	Handhold few	1.000	ST
14	5.321-668.0	Handle	1.000	ST
1	4.775-466.0	Hand trigger gun	1.000	ST
	<b>Item text1:</b> 1.524-404.0			
7	4.037-013.0	Hook	1.000	ST
10	6.390-675.3	Hose assembly DN8 max.31,5MPa 15m	1.000	ST
4	4.481-209.0	Lever complete	1.000	ST
13	7.343-069.0	Locking ring 25x1,2-1.4122 DIN 471	1.000	ST
6	4.427-215.0	Manifold complete only for replacement	1.000	ST
12	4.363-691.0	O-Ring seal kpl. -nur fuer Ersatz-	1.000	ST
8	4.363-691.0	O-Ring seal kpl. -nur fuer Ersatz-	13.000	ST
15	4.775-470.0	Rotary controller 416L	1.000	ST
2	7.303-096.0	Screw 4x22 -ST-10.9-R2R (IN6RD)	7.000	ST
3	5.481-331.0	Slider	1.000	ST
11	2.880-990.0	Spare part set O-Ring 5x -Kaercher	1.000	ST



## 1 Hand trigger gun (4.775-466.0)

---

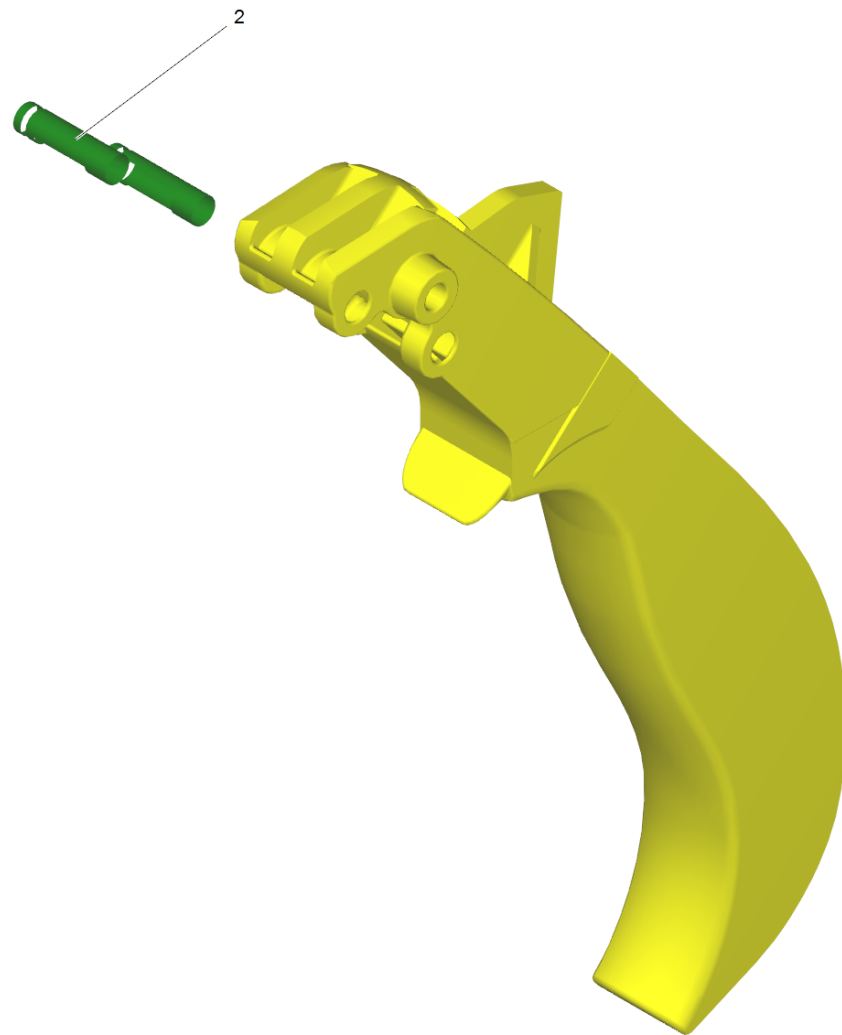
<b>POS</b>	<b>Article no.</b>	<b>Description</b>	<b>Quantity</b>	<b>Unit</b>
60	4.421-739.3	Adapter pipelines AVS-M22x1,5	1.000	ST
32	5.321-669.3	Handhold few	1.000	ST
2	4.037-013.0	Hook	1.000	ST
9002	4.481-209.0	Lever complete	1.000	ST
9001	4.427-215.0	Manifold complete only for replacement	1.000	ST
45	7.303-096.0	Screw 4x22 -ST-10.9-R2R (IN6RD)	7.000	ST
34	5.481-331.0	Slider	1.000	ST



60 Adapter pipelines AVS-M22x1,5 (4.421-739.3)

---

POS	Article no.	Description	Quantity	Unit
7	4.363-691.0	O-Ring seal kpl. -nur fuer Ersatz-	1.000	ST

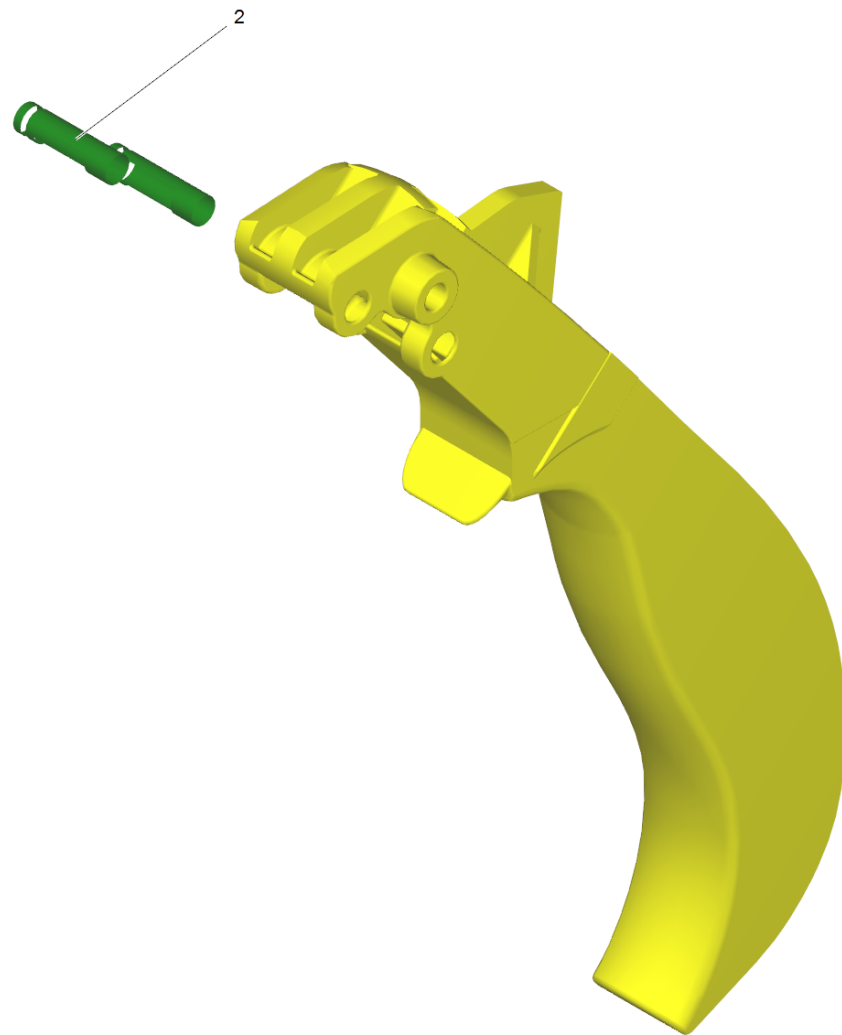


9002 Lever complete (4.481-209.0)

---

<b>POS</b>	<b>Article no.</b>	<b>Description</b>	<b>Quantity</b>	<b>Unit</b>
2	5.314-119.0	Pin	2.000	ST

---

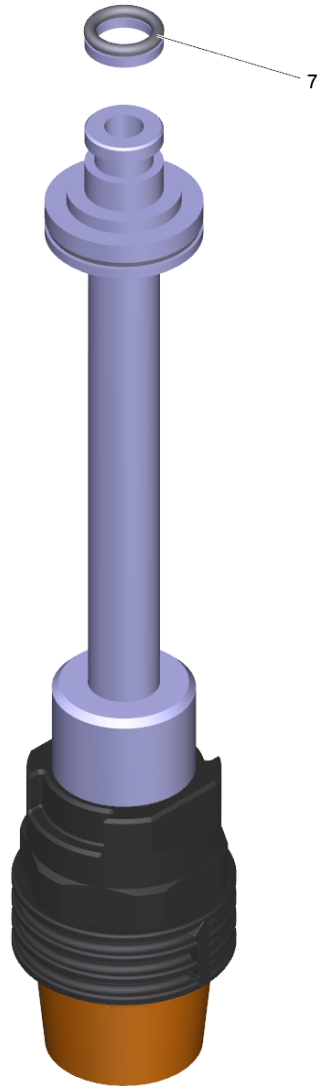




4 Lever complete (4.481-209.0)

---

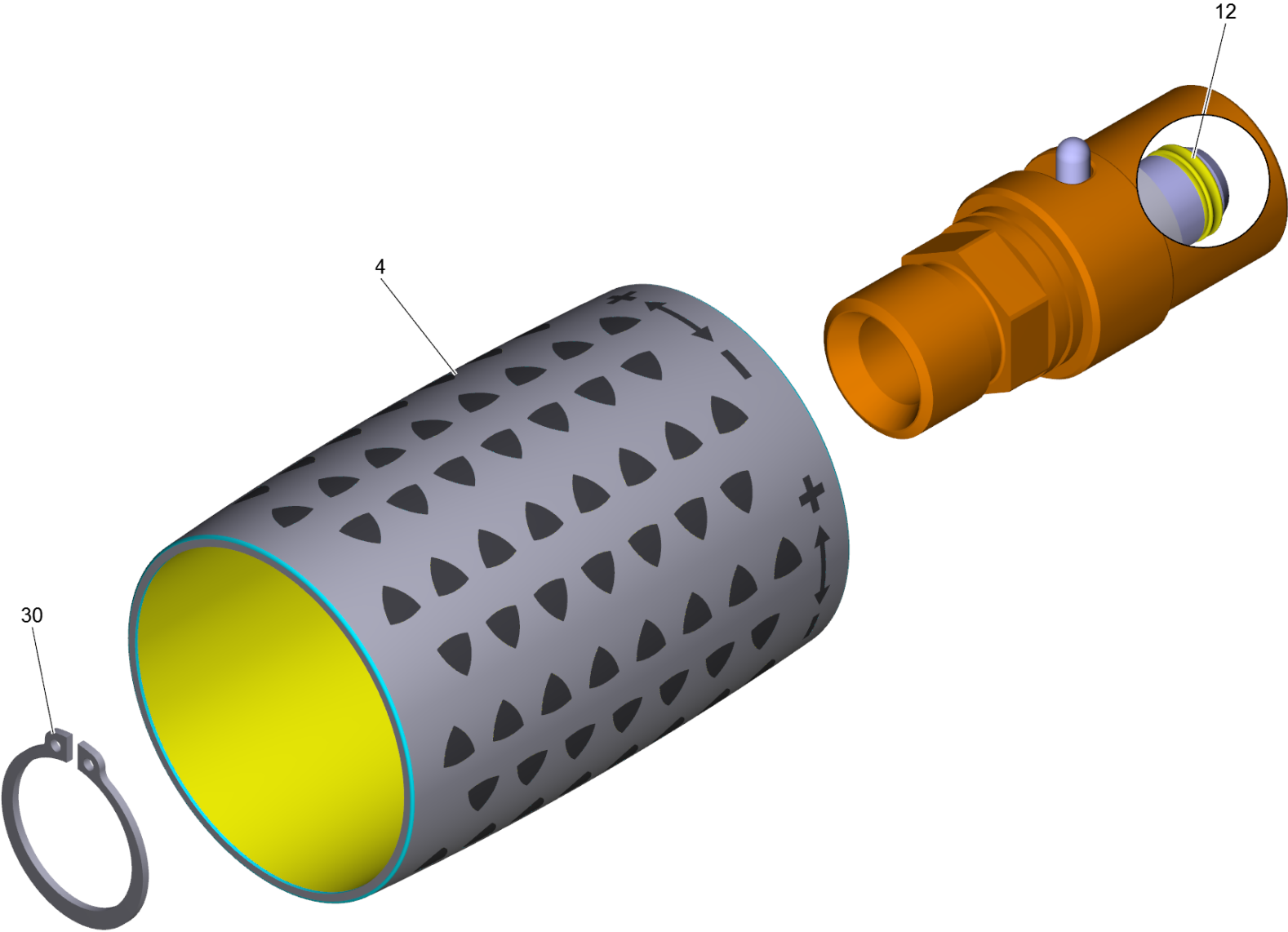
<b>POS</b>	<b>Article no.</b>	<b>Description</b>	<b>Quantity</b>	<b>Unit</b>
2	5.314-119.0	Pin	2.000	ST



9 Adapter pipelines AVS-M22x1,5 (4.421-739.3)

---

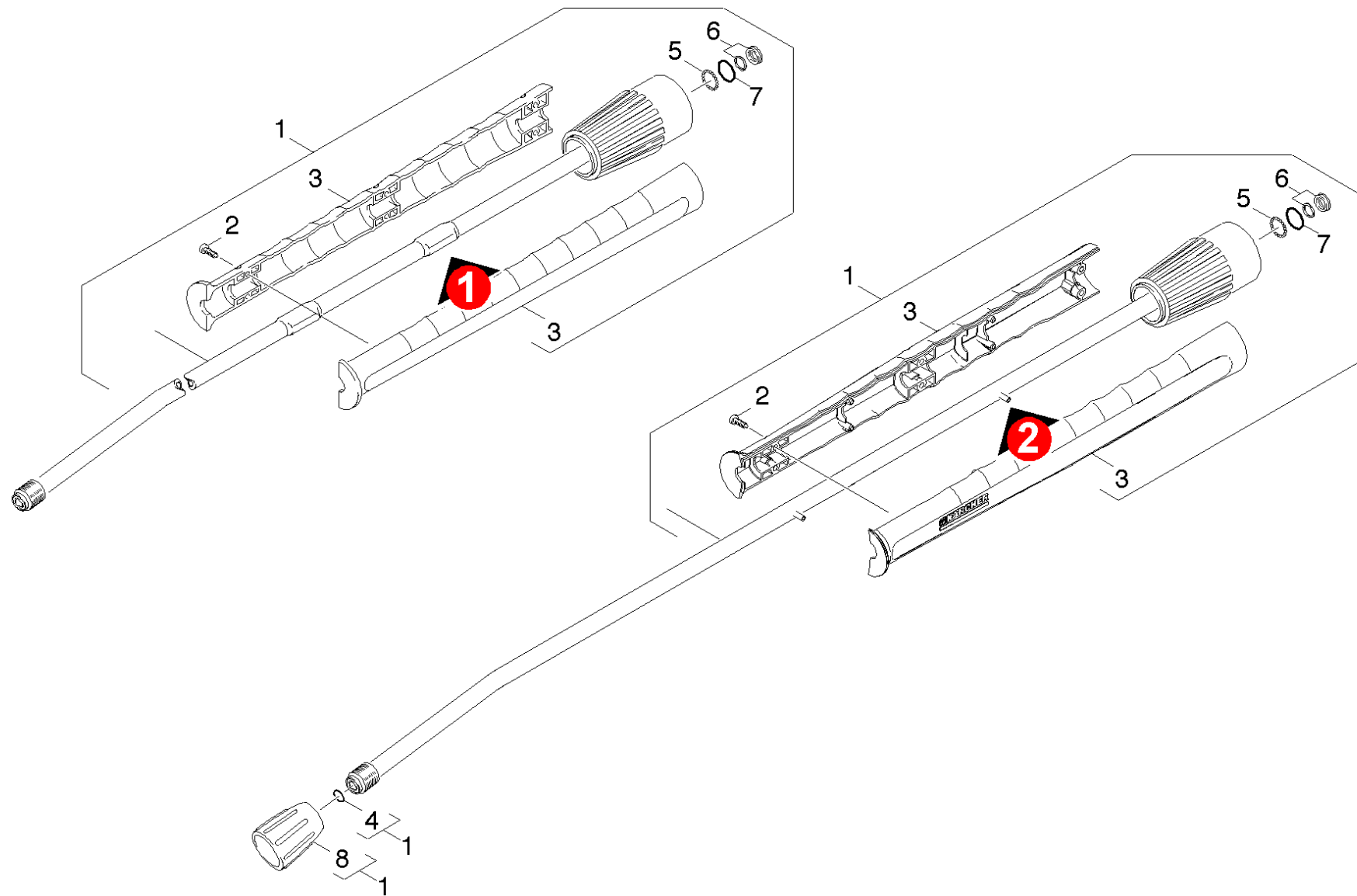
POS	Article no.	Description	Quantity	Unit
7	4.363-691.0	O-Ring seal kpl. -nur fuer Ersatz-	1.000	ST



15 Rotary controller 416L (4.775-470.0)

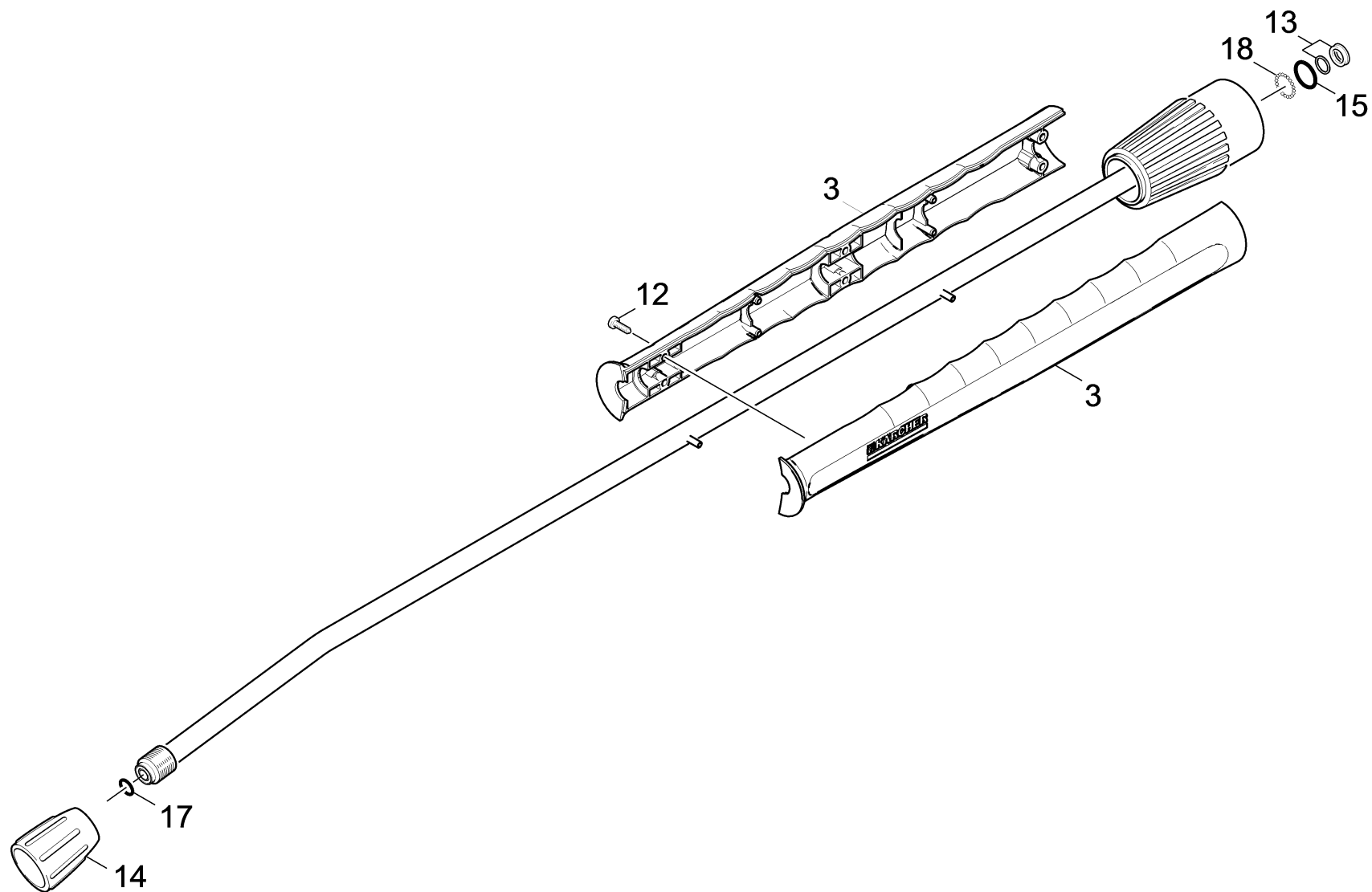
---

<b>POS</b>	<b>Article no.</b>	<b>Description</b>	<b>Quantity</b>	<b>Unit</b>
4	5.321-668.0	Handle	1.000	ST
30	7.343-069.0	Locking ring 25x1,2-1.4122 DIN 471	1.000	ST
12	2.880-001.0	Spare part set seals TR	1.000	ST



## 43 Jet pipe

POS	Article no.	Description	Quantity	Unit	Remark
6	4.363-692.0	Grooved ring kpl. -nur fuer Ersatz-	1.000	ST	
3	5.321-691.0	Handhold few jet pipe	1.000	ST	VERSION 1
3	5.321-855.0	Handhold few jet pipe with welding bolt	1.000	ST	VERSION 2
1	4.760-660.0	Jet pipe packaged only for replacement	1.000	ST	
7	6.362-524.0	O-Ring seal 17,0 X 1,5	1.000	ST	
2	7.303-129.0	Screw 4x16 -10.9-R2R (K-In6Rd)	6.000	ST	
8	5.401-129.0	Screw connector part	1.000	ST	
4	2.880-990.0	Spare part set O-Ring 5x -Kaercher	1.000	ST	
5	7.401-915.0	Sphere 2,5 G40 -1.4034 DIN 5401	20.000	ST	

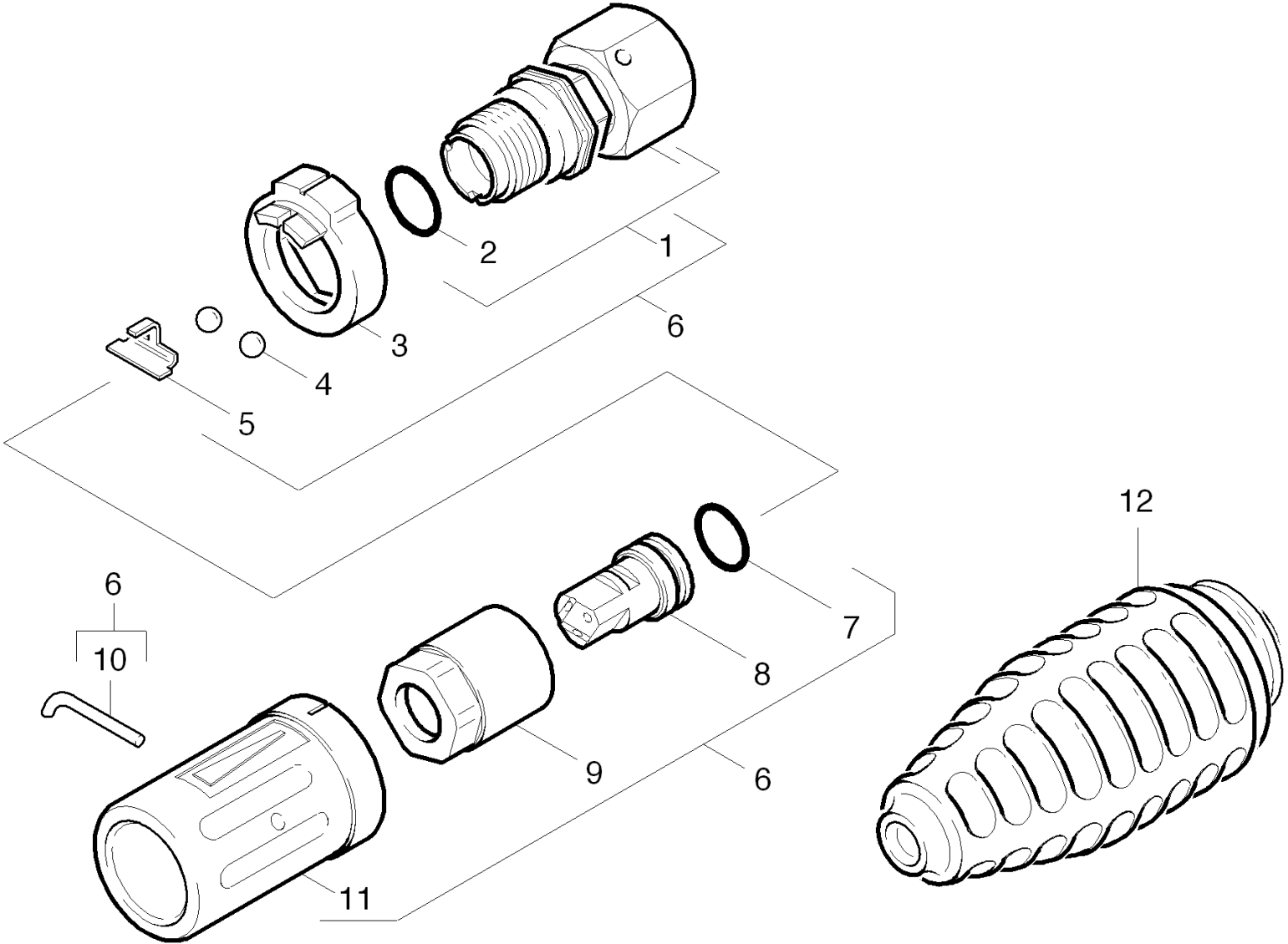




1 Jet pipe packaged only for replacement (4.760-660.0)

---

POS	Article no.	Description	Quantity	Unit
13	4.363-692.0	Grooved ring kpl. -nur fuer Ersatz-	1.000	ST
3	5.321-855.0	Handhold few jet pipe with welding bolt	1.000	ST
15	6.362-524.0	O-Ring seal 17,0 X 1,5	1.000	ST
12	7.303-129.0	Screw 4x16 -10.9-R2R (K-In6Rd)	6.000	ST
14	5.401-210.0	Screw connector part	1.000	ST
17	2.880-990.0	Spare part set O-Ring 5x -Kaercher	1.000	ST
18	7.401-915.0	Sphere 2,5 G40 -1.4034 DIN 5401	1.000	ST



## 44 Nozzle

POS	Article no.	Description	Quantity	Unit
12	4.763-253.0	Dirt blaster 05	1.000	ST
	<b>Item text1:</b> 1.524-403.0 / -404.0			
9	5.311-117.0	Hexagon nut	1.000	ST
5	5.042-405.0	Holder	1.000	ST
10	5.037-059.0	Hook	1.000	ST
3	5.030-528.0	Moulded part	1.000	ST
7	6.362-480.0	O-Ring seal 12,42x 1,78	1.000	ST
2	6.362-460.0	O-Ring seal 14,0 X 2,5-NBR 70	1.000	ST
11	5.394-269.0	Protection part	1.000	ST
1	4.402-042.0	Screw union	1.000	ST
4	7.401-902.0	Sphere 5 G20 -1.4034 DIN 5401	2.000	ST
6	7.777-999.0	Stockpiling discontinued	1.000	ST
8	5.415-607.0	Triple jet nozzle 050	1.000	ST

12 Dirt blaster 05 (4.763-253.0)

---

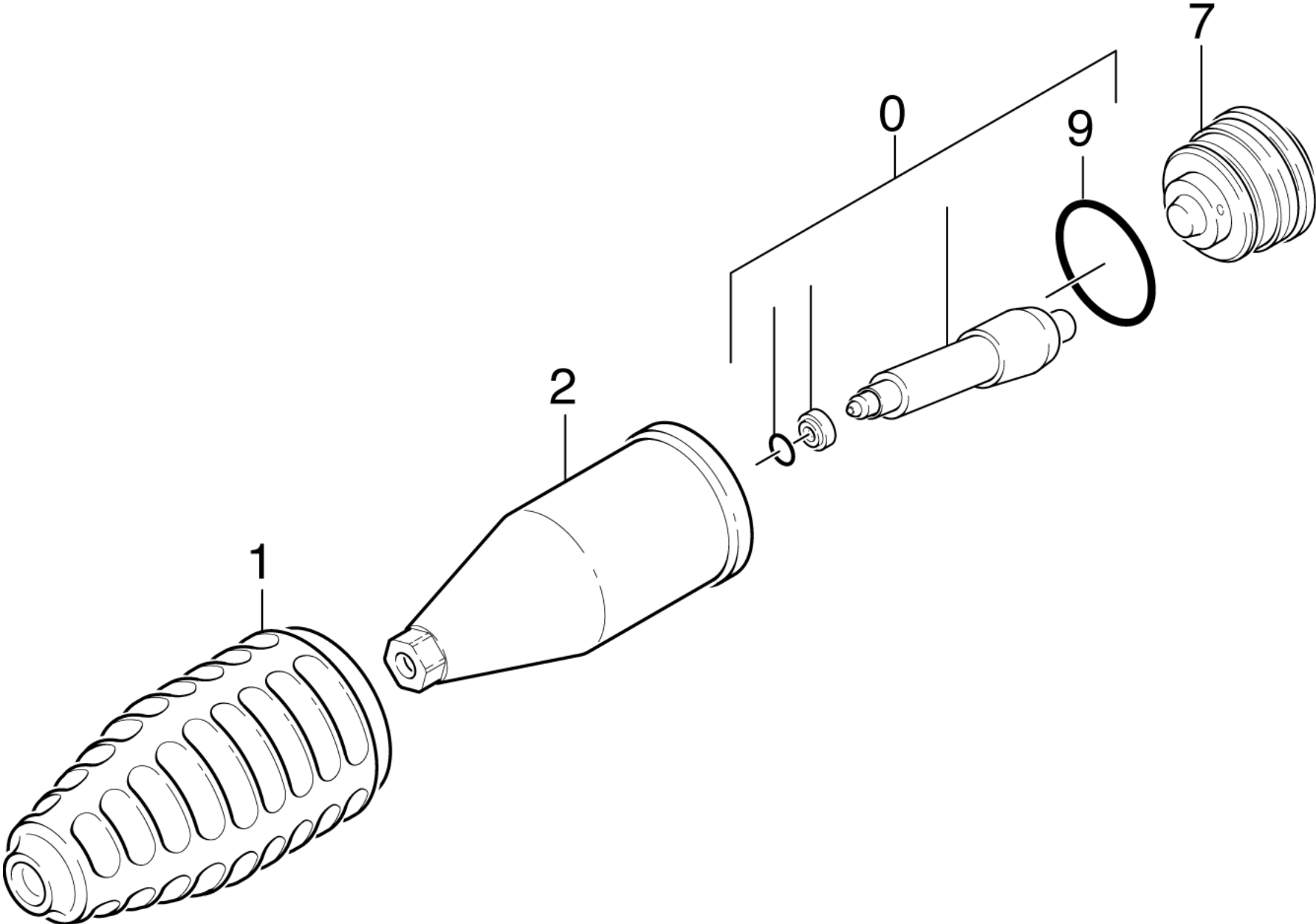
<b>POS</b>	<b>Article no.</b>	<b>Description</b>	<b>Quantity</b>	<b>Unit</b>
11	5.955-641.0	Spare parts list dirt blaster	1.000	ST

11 Spare parts list dirt blaster (5.955-641.0)

---

<b>POS</b>	<b>Description</b>	<b>Quantity</b>	<b>Unit</b>
10	Dirt blaster	1.000	ST

---



## 10 Dirt blaster

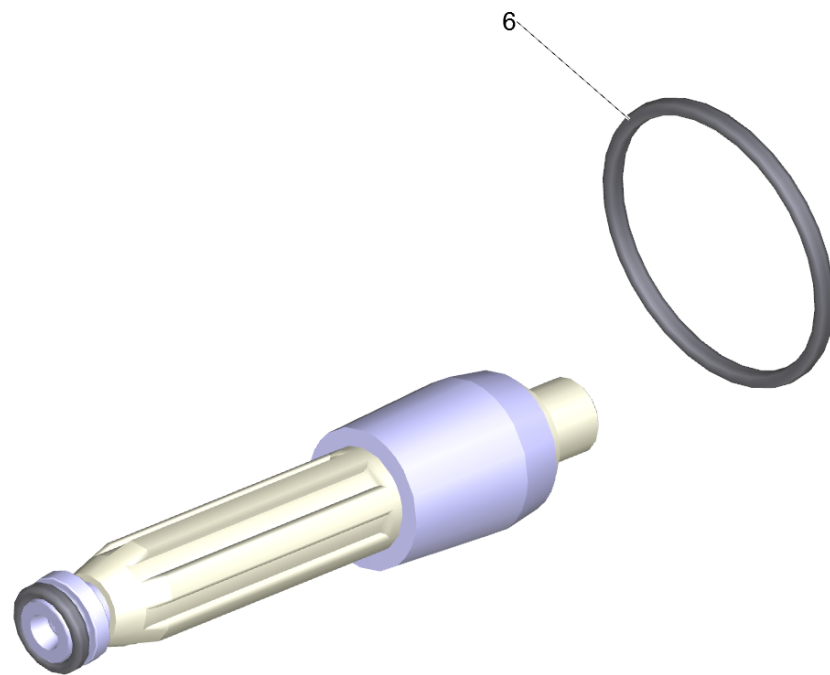
POS	Article no.	Description	Quantity	Unit	Remark
7	5.063-708.0	Cover	1.000	ST	
	<b>Item text1:</b> / 4.763-930.0				
7	5.063-709.0	Cover	1.000	ST	
	<b>Item text1:</b> / 4.763-931.0				
7	5.063-626.0	Cover DGR F 04	1.000	ST	4.763-252/-936
	<b>Item text1:</b> / 4.763-252.0				
7	5.063-647.0	Cover DGR F 05	1.000	ST	
	<b>Item text1:</b> / 4.763-253.0				
7	5.063-618.0	Cover DGR F 055/F 06	1.000	ST	4.763-250/-938
	<b>Item text1:</b> / 4.763-250.0				
7	5.063-648.0	Cover DGR F 70/F 08	1.000	ST	
	<b>Item text1:</b> / 4.763-254.0 / 4.767-076.0				
7		Cover high-pressure 20/15	1.000	ST	4.764-204.0
7	5.064-357.0	Cover high-pressure 25/15-4	1.000	ST	4.764-201.0 / 4.764-208.0
2	5.060-500.3	Housing	1.000	ST	
9	6.362-463.0	O-Ring seal 28,0 X 2,0-NBR 78	1.000	ST	
1	5.394-375.0	Protection part	1.000	ST	
0	2.884-052.0	Spare part set dirt blaster 035	1.000	ST	4.763-931.0
	<b>Item text1:</b> / 4.763-931.0				
0	2.883-471.0	Spare part set dirt blaster 04-HD 1050	1.000	ST	4.763-252.0
	<b>Item text1:</b> / 4.763-252.0				
0	2.884-113.0	Spare part set dirt blaster 045	1.000	ST	4.763-988.0
	<b>Item text1:</b> / 4.763-988.0				
0	2.883-472.0	Spare part set dirt blaster 05	1.000	ST	4.763-253.0
	<b>Item text1:</b> / 4.763-253.0				
0	2.883-473.0	Spare part set dirt blaster 055/06	1.000	ST	4.763-250.0
	<b>Item text1:</b> / 4.763-250.0				
0	2.884-114.0	Spare part set dirt blaster 065	1.000	ST	4.763-989.0
	<b>Item text1:</b> / 4.763-989.0				
0	2.883-474.0	Spare part set dirt blaster 07/08-HDS 8	1.000	ST	4.763-254.0
	<b>Item text1:</b> / 4.763-254.0				
0	2.884-316.0	Spare part set dirt blaster 09	1.000	ST	
	<b>Item text1:</b> / 4.767-076.0				

## 10 Dirt blaster

---

POS	Article no.	Description	Quantity	Unit	Remark
0	2.884-051.0	Spare part set dirt blaster 120	1.000	ST	4.763-930.0
	Item text1: / 4.763-930.0				
0		Spare part set rotor 125	1.000	ST	4.764-204.0
0	2.881-025.0	Spare part set rotor 170	1.000	ST	4.764-201.0
0	2.885-196.0	Spare parts set rotor 100	1.000	ST	4.764-208.0

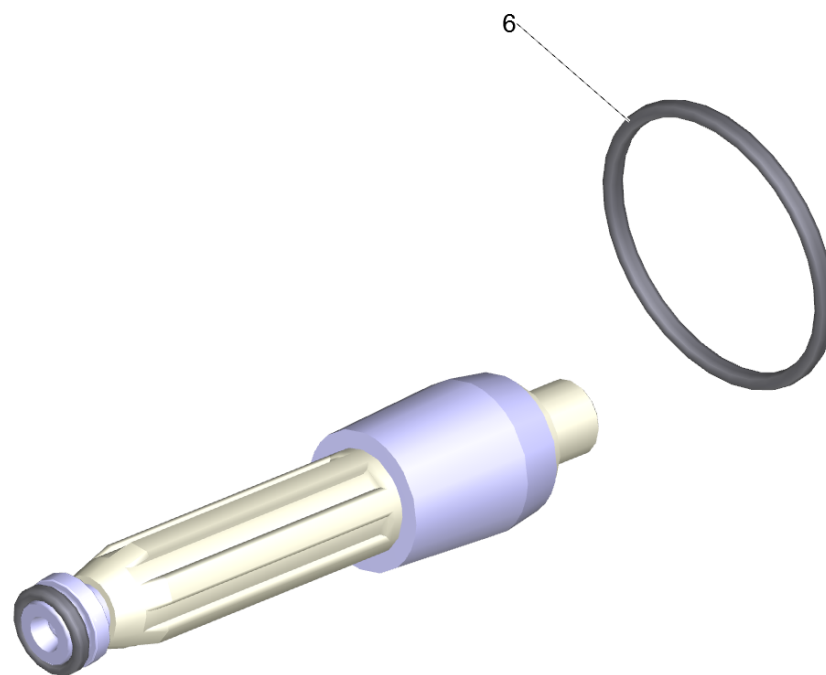




Spare part set rotor 170 (2.881-025.0)

---

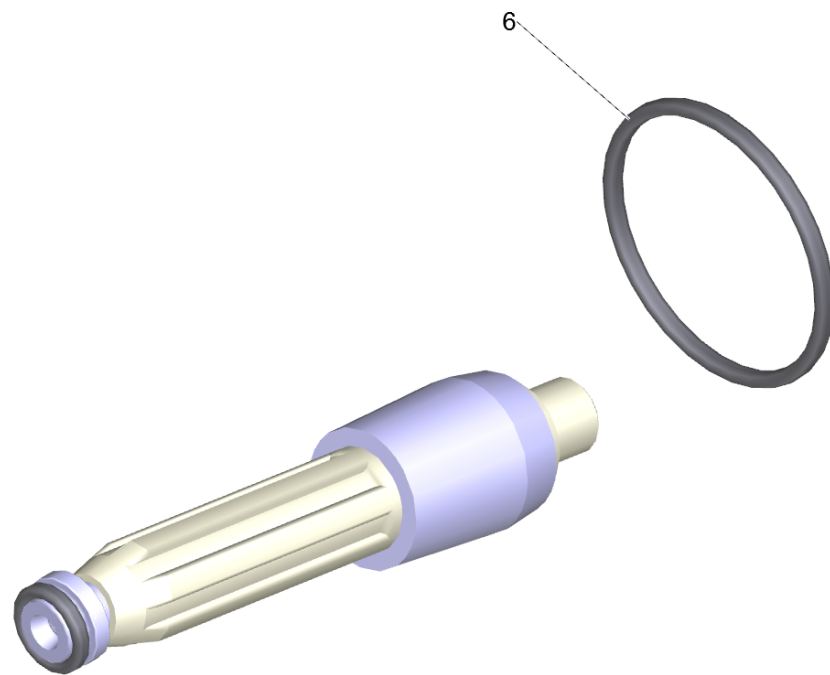
POS	Article no.	Description	Quantity	Unit
6	6.362-463.0	O-Ring seal 28,0 X 2,0-NBR 78	1.000	ST



Spare part set dirt blaster 04-HD 1050 (2.883-471.0)

---

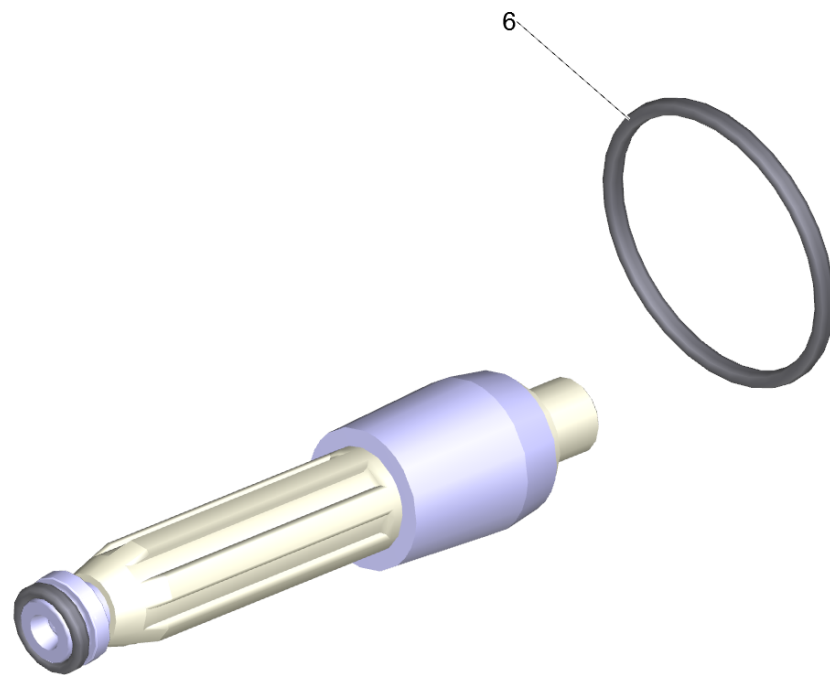
POS	Article no.	Description	Quantity	Unit
6	6.362-463.0	O-Ring seal 28,0 X 2,0-NBR 78	1.000	ST



Spare part set dirt blaster 05 (2.883-472.0)

---

POS	Article no.	Description	Quantity	Unit
6	6.362-463.0	O-Ring seal 28,0 X 2,0-NBR 78	1.000	ST

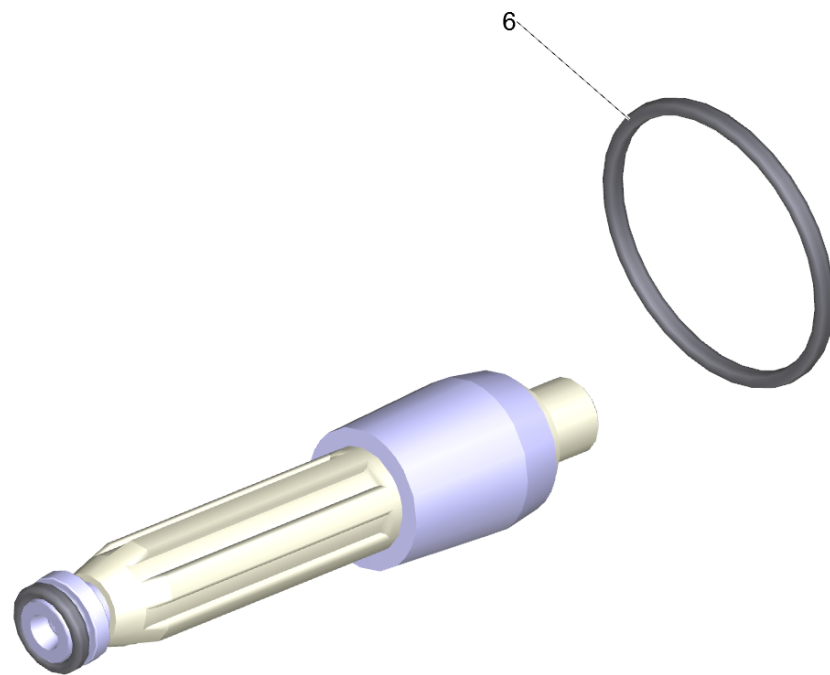


Spare part set dirt blaster 055/06 (2.883-473.0)

---

POS	Article no.	Description	Quantity	Unit
6	6.362-463.0	O-Ring seal 28,0 X 2,0-NBR 78	1.000	ST

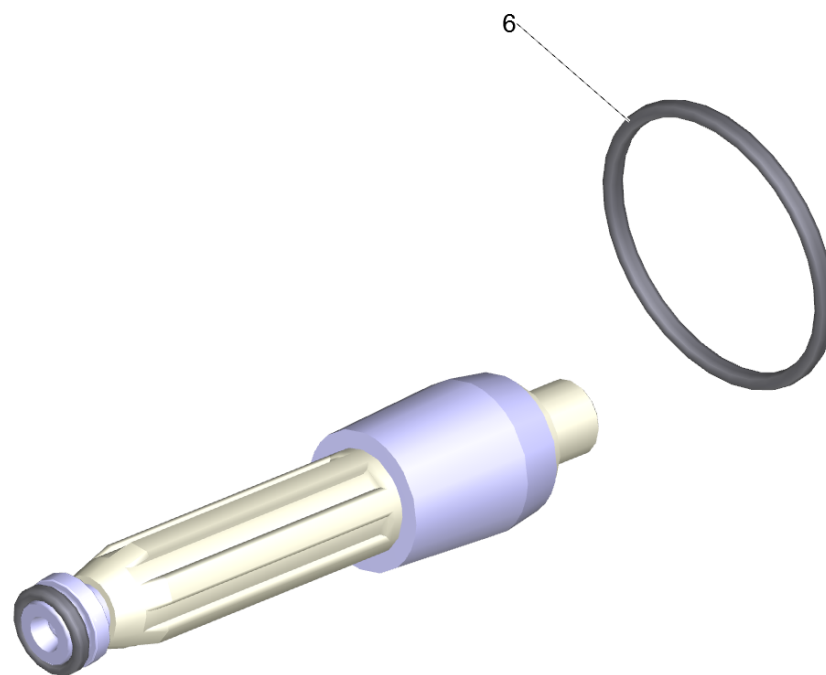




Spare part set dirt blaster 07/08-HDS 8 (2.883-474.0)

---

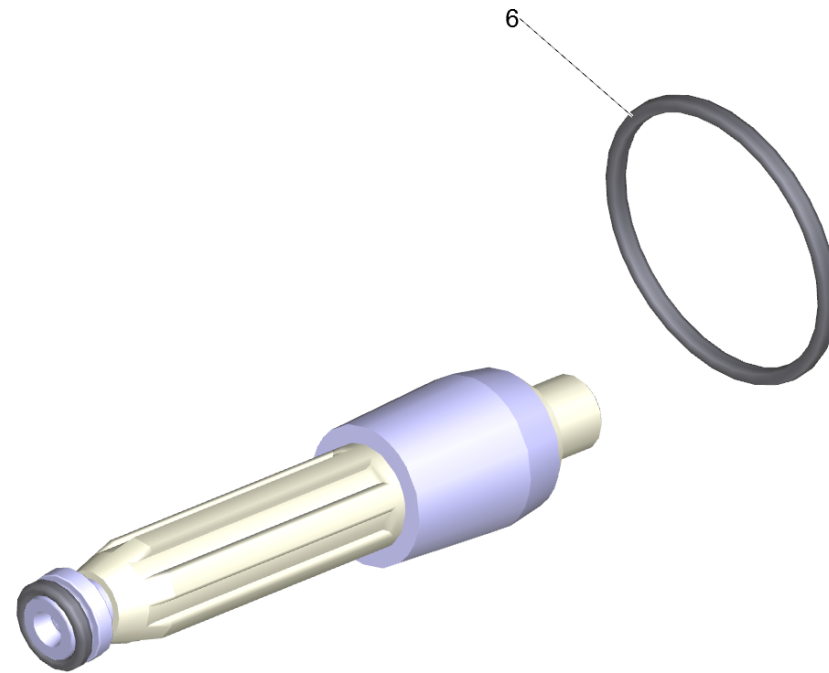
POS	Article no.	Description	Quantity	Unit
6	6.362-463.0	O-Ring seal 28,0 X 2,0-NBR 78	1.000	ST



Spare part set dirt blaster 120 (2.884-051.0)

---

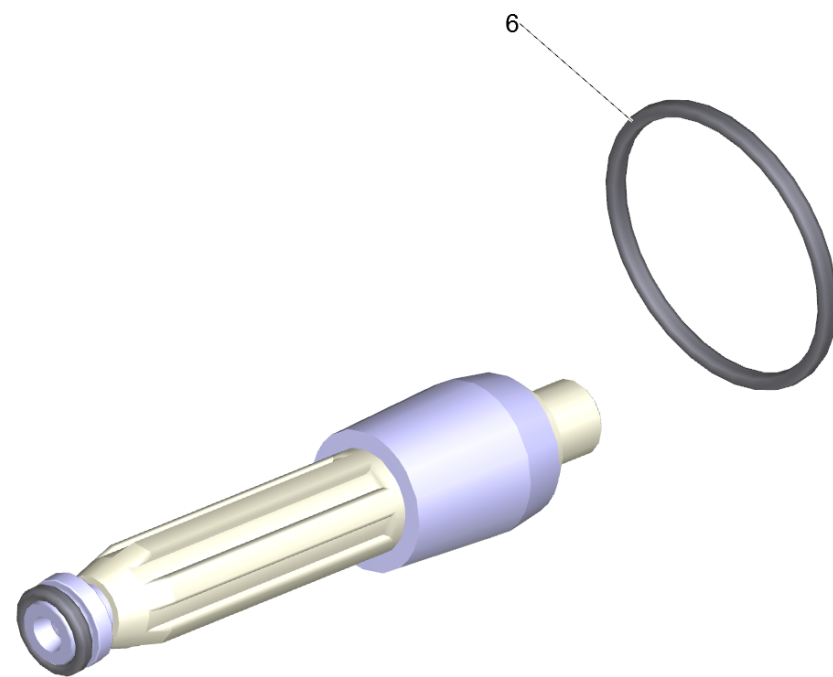
POS	Article no.	Description	Quantity	Unit
6	6.362-463.0	O-Ring seal 28,0 X 2,0-NBR 78	1.000	ST



Spare part set dirt blaster 035 (2.884-052.0)

---

<b>POS</b>	<b>Article no.</b>	<b>Description</b>	<b>Quantity</b>	<b>Unit</b>
6	6.362-463.0	O-Ring seal 28,0 X 2,0-NBR 78	1.000	ST

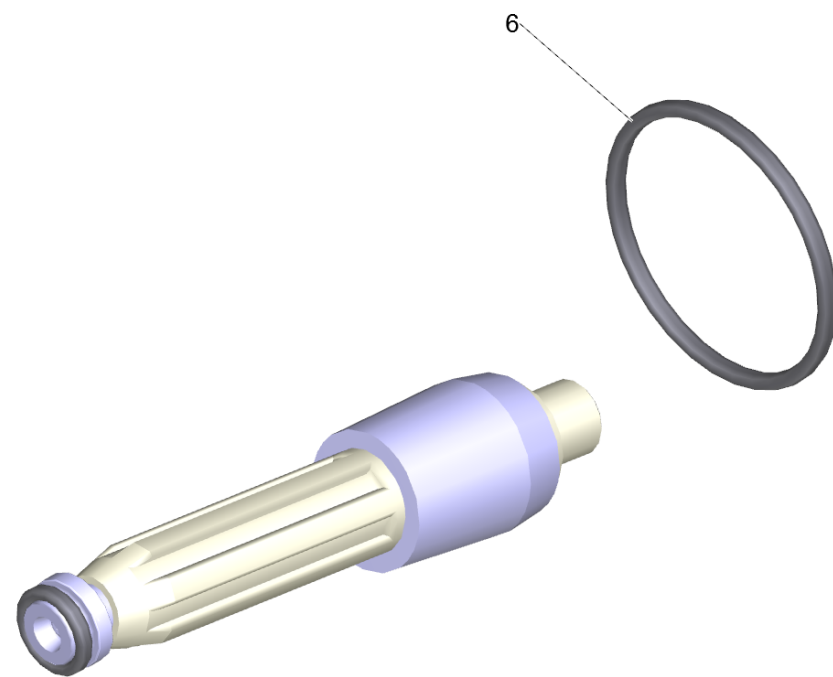


Spare part set dirt blaster 045 (2.884-113.0)

---

POS	Article no.	Description	Quantity	Unit
6	6.362-463.0	O-Ring seal 28,0 X 2,0-NBR 78	1.000	ST

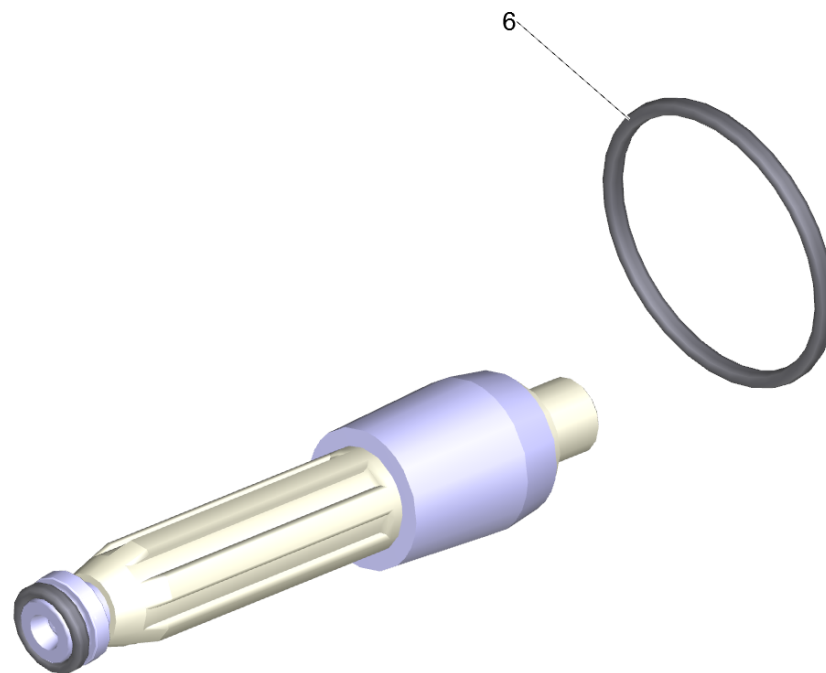




Spare part set dirt blaster 09 (2.884-316.0)

---

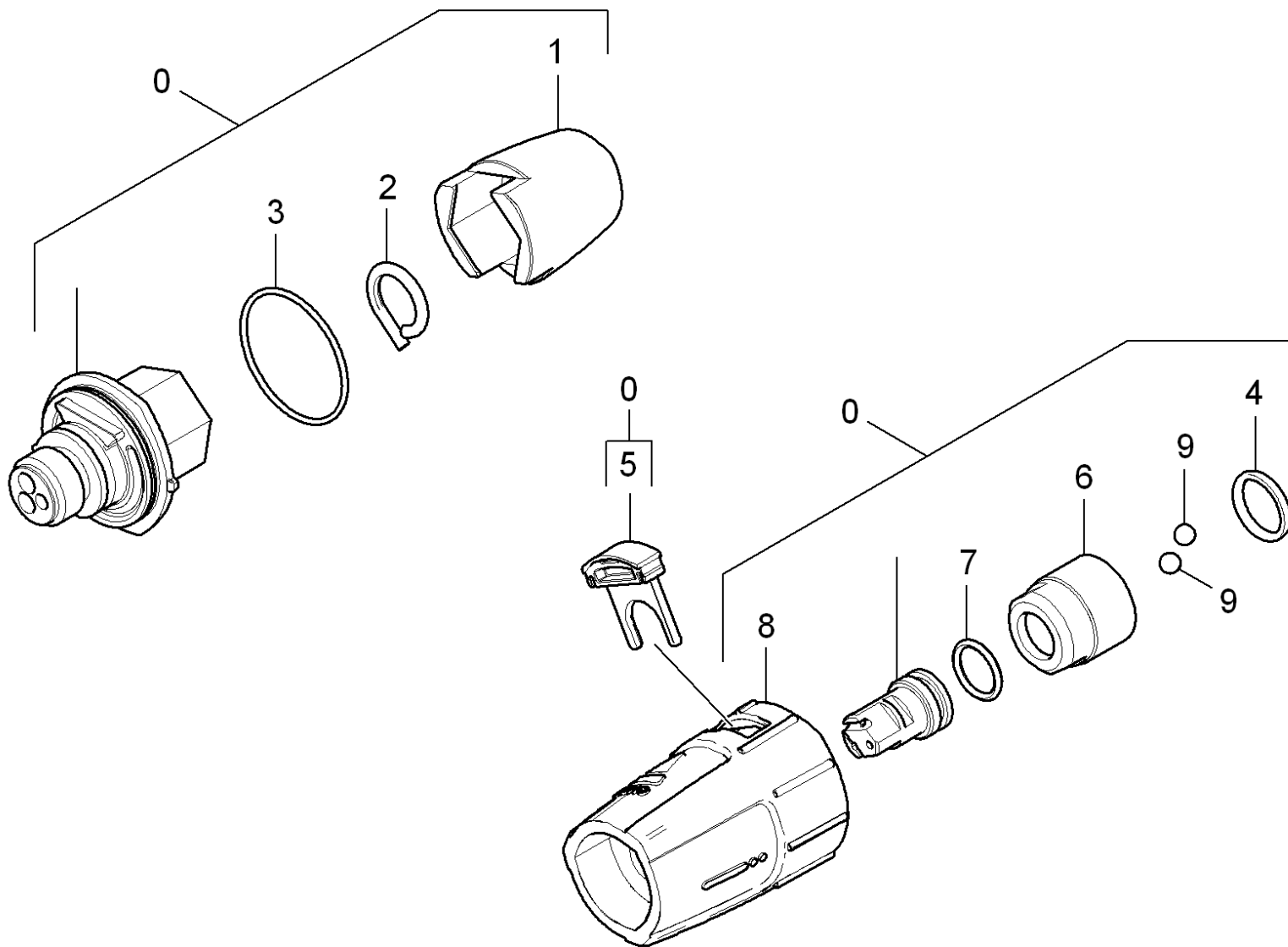
POS	Article no.	Description	Quantity	Unit
6	6.362-463.0	O-Ring seal 28,0 X 2,0-NBR 78	1.000	ST



Spare parts set rotor 100 (2.885-196.0)

---

POS	Article no.	Description	Quantity	Unit
6	6.362-463.0	O-Ring seal 28,0 X 2,0-NBR 78	1.000	ST



## 45 Nozzle

---

<b>POS</b>	<b>Article no.</b>	<b>Description</b>	<b>Quantity</b>	<b>Unit</b>
5	5.321-884.0	Clamp	1.000	ST
6	5.311-225.0	Nut	1.000	ST
7	6.362-480.0	O-Ring seal 12,42x 1,78	1.000	ST
4	6.362-460.0	O-Ring seal 14,0 X 2,5-NBR 70	1.000	ST
3	6.362-409.0	O-Ring seal 32,0 X 1,5	1.000	ST
2	6.343-150.0	Pin 03	1.000	ST
8	5.394-859.0	Protection part	1.000	ST
1	5.394-530.0	Protection part complete	1.000	ST
9	7.401-902.0	Sphere 5 G20 -1.4034 DIN 5401	2.000	ST
0	4.767-154.0	Triple jet nozzle only for replacement 0	1.000	ST

Triple jet nozzle only for replacement 0 (4.767-154.0)

---

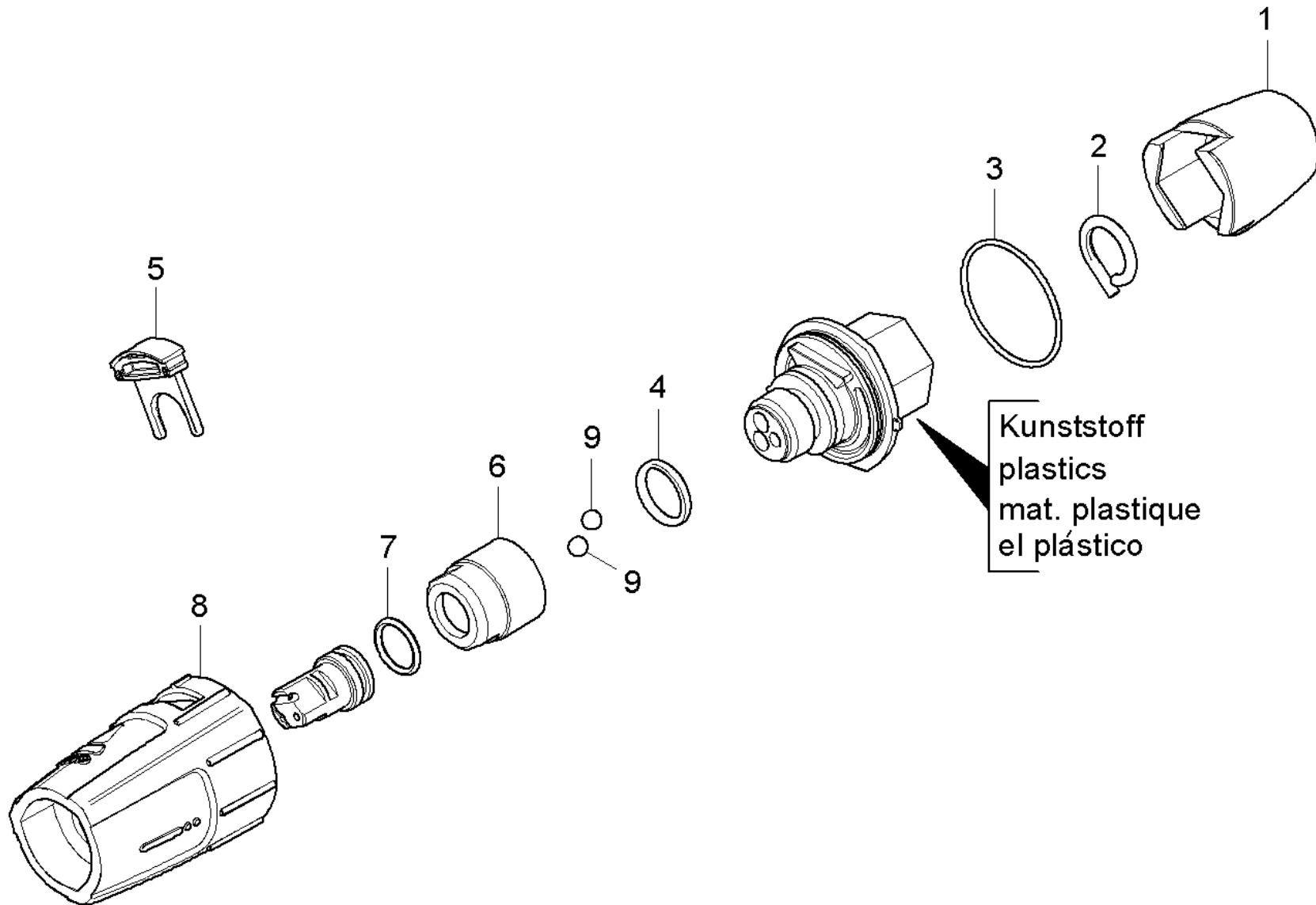
POS	Article no.	Description	Quantity	Unit
2	5.970-837.0	Spare parts list triple jet nozzle	1.000	ST

2 Spare parts list triple jet nozzle (5.970-837.0)

---

<b>POS</b>	<b>Description</b>	<b>Quantity</b>	<b>Unit</b>
20	Triple jet nozzle brass	1.000	ST
10	Triple jet nozzle plastics	1.000	ST

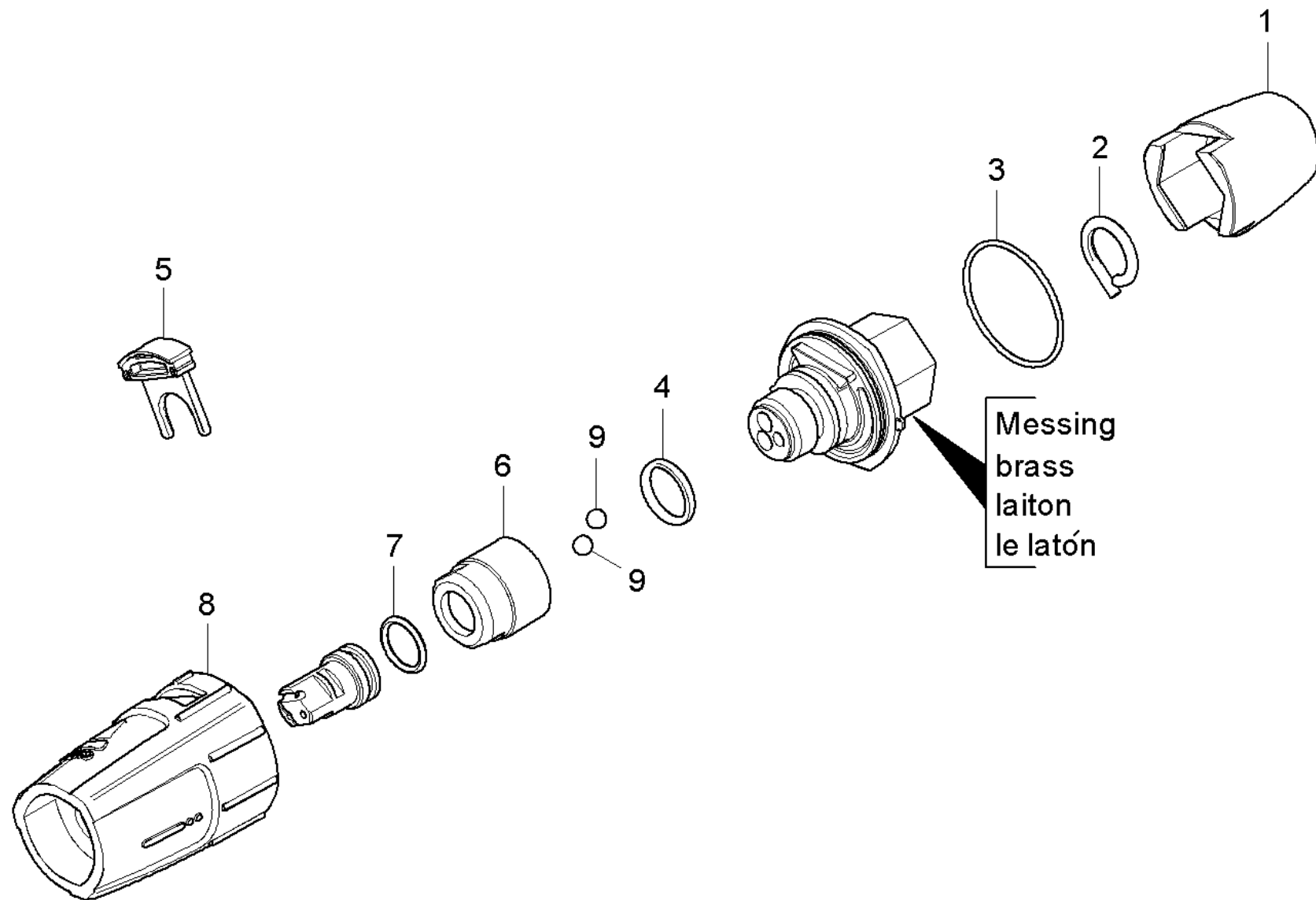




## 10 Triple jet nozzle plastics

---

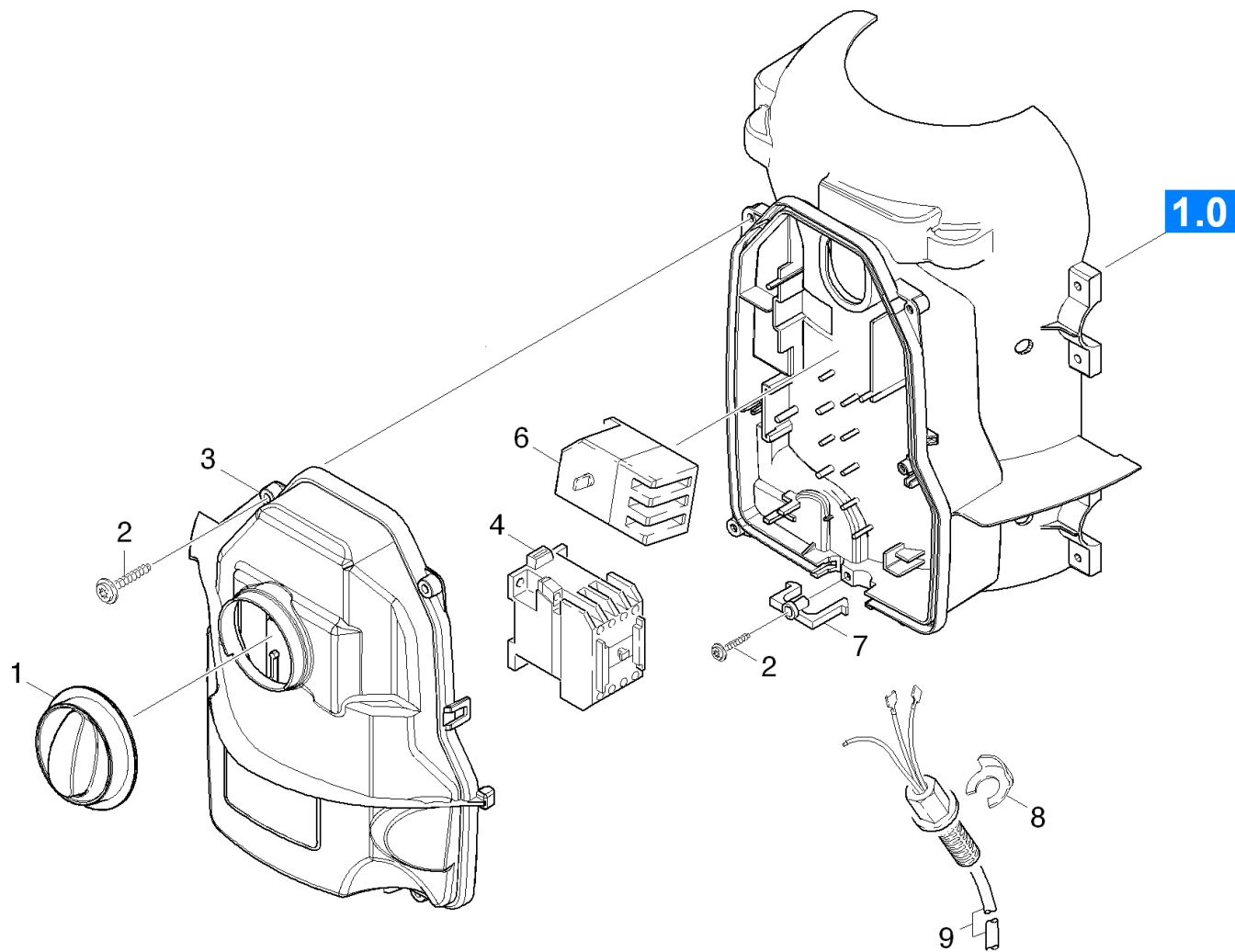
<b>POS</b>	<b>Article no.</b>	<b>Description</b>	<b>Quantity</b>	<b>Unit</b>
5	5.321-884.0	Clamp	1.000	ST
6	5.311-236.0	Nut	1.000	ST
7	6.362-480.0	O-Ring seal 12,42x 1,78	1.000	ST
4	7.362-039.0	O-Ring seal 15,5x1,5 -NBR70 DIN 3771	1.000	ST
3	6.362-409.0	O-Ring seal 32,0 X 1,5	1.000	ST
2	6.343-150.0	Pin 03	1.000	ST
8	5.394-874.0	Protection part	1.000	ST
1	5.394-530.0	Protection part complete	1.000	ST
9	7.401-902.0	Sphere 5 G20 -1.4034 DIN 5401	2.000	ST



## 20 Triple jet nozzle brass

---

<b>POS</b>	<b>Article no.</b>	<b>Description</b>	<b>Quantity</b>	<b>Unit</b>
5	5.321-884.0	Clamp	1.000	ST
6	5.311-225.0	Nut	1.000	ST
7	6.362-480.0	O-Ring seal 12,42x 1,78	1.000	ST
4	6.362-460.0	O-Ring seal 14,0 X 2,5-NBR 70	1.000	ST
3	6.362-409.0	O-Ring seal 32,0 X 1,5	1.000	ST
2	6.343-150.0	Pin 03	1.000	ST
8	5.394-859.0	Protection part	1.000	ST
1	5.394-530.0	Protection part complete	1.000	ST
9	7.401-902.0	Sphere 5 G20 -1.4034 DIN 5401	2.000	ST



## 50 Electric box

POS	Article no.	Description	Quantity	Unit
9	6.649-441.0	Cable without plug	1.000	ST
	<b>Item text1:</b> 1.524-402.0			
9	6.649-442.0	Cable with plug	1.000	ST
	<b>Item text1:</b> 1.524-401.0 / -403.0 / -404.0			
4	6.632-355.0	Contactor	1.000	ST
	<b>Item text1:</b> 1.524-402.0			
4	6.632-414.3	Contactor LC1-D18V7SC090	1.000	ST
	<b>Item text1:</b> 1.524-401.0 / -403.0 / -404.0			
3	5.064-176.0	Cover	1.000	ST
1	5.321-692.0	Handle	1.000	ST
8	6.343-186.0	Locking ring	1.000	ST
6	6.631-190.0	Motor protecting switch	1.000	ST
	<b>Item text1:</b> 1.524-401.0 / -403.0 / -404.0			
6	6.631-428.0	Motor protecting switch -22-27A	1.000	ST
	<b>Item text1:</b> 1.524-402.0			
2	7.303-109.0	Screw 5x25 -10.9-R2R (In6Rd)	5.000	ST
7	5.263-051.0	Tensioning part	1.000	ST
	<b>Item text1:</b> 1.524-401.0 / -403.0 / -404.0 /			
7	5.263-081.0	Tensioning part	1.000	ST
	<b>Item text1:</b> 1.524-402.0			