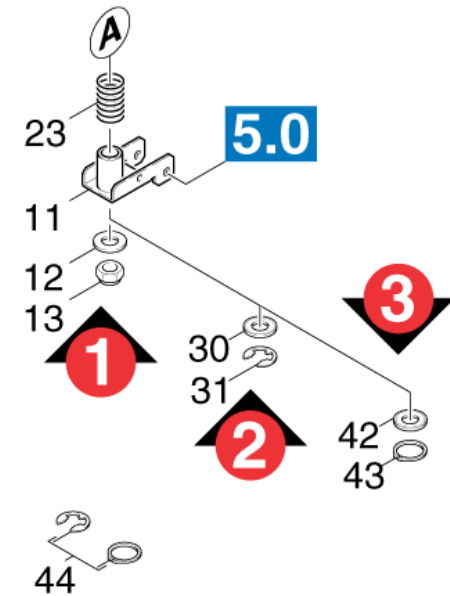
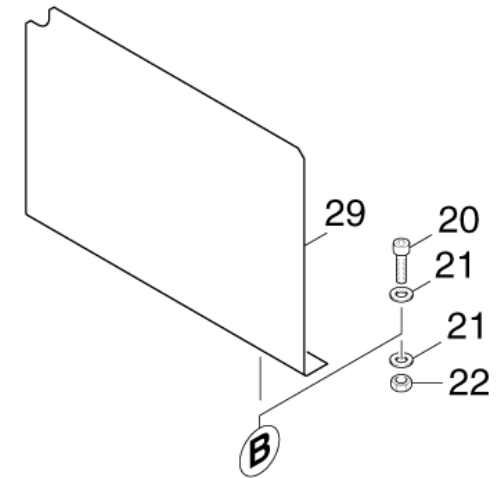
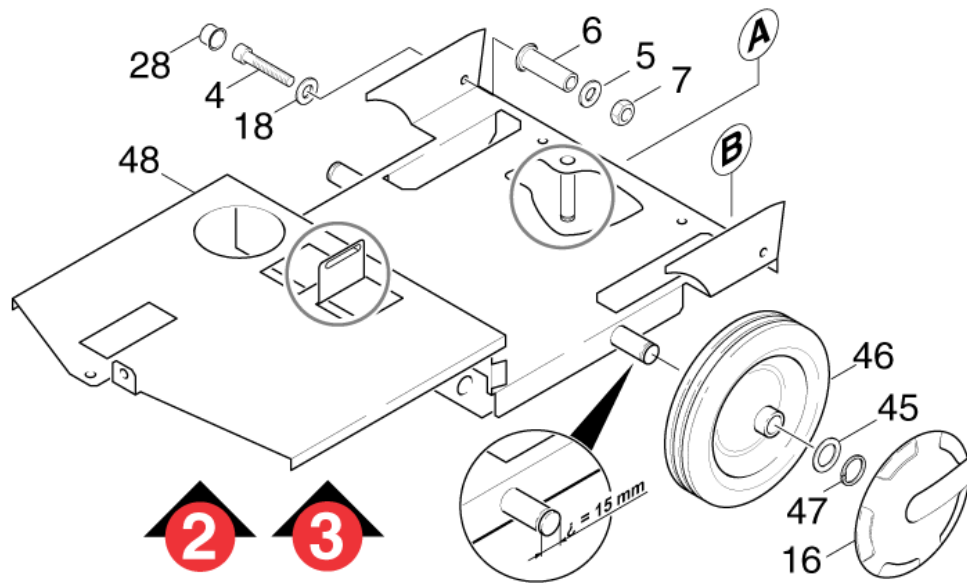
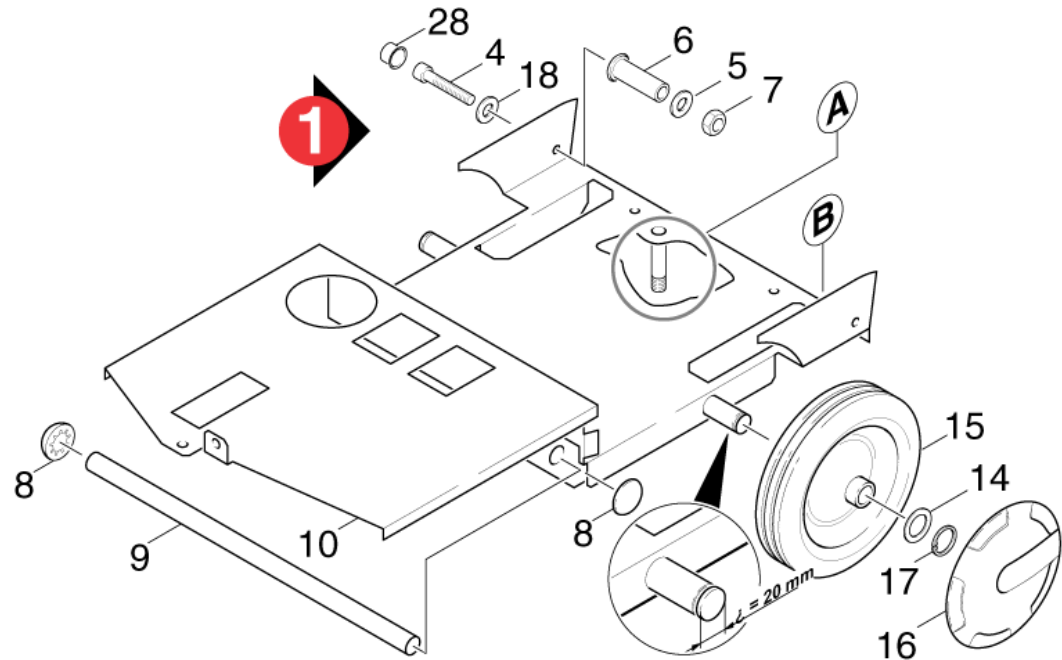


# 30 Chassis BR 530

Overview technical documents/Professional/Floor cleaner/Walk behind/BR 530

\*EU (1.127-121.0)/Spare parts list BR 530 Netz/30 Chassis BR 530



**30 Chassis BR 530**

Overview technical documents/Professional/Floor cleaner/Walk behind/BR 530

\*EU (1.127-121.0)/Spare parts list BR 530 Netz/30 Chassis BR 530

Rez.daļas/nodil.pakļ.daļas	Poz.	Materiāla Nr.	Nosaukums	Daudzums	Pārdoš. vienība	no sēr. Nr..	līdz sēr. Nr.
	4	7.306-043.0	Cil. galvas skr. M8x30 -8.8-A2E ISO	2.000	ST	0000000000	0000013376
	4	7.306-075.0	wascher	2.000	ST	0000013377	0000000000
	5	7.312-277.0	Washer 8-200HV-A2E ISO7093-1	4.000	ST	0000000000	0000000000
	6	5.110-680.0	Sleeve	2.000	ST	0000000000	0000013376
	6	5.110-777.0	wascher	2.000	ST	0000013377	0000000000
	7	7.311-004.0	Hexagon nut	2.000	ST	0000000000	0000000000
	8	6.343-122.0	Lock washer	2.000	ST	0000000000	0000013376
	9	5.105-261.0	Axle	1.000	ST	0000000000	0000013376
	10	4.044-002.0	Holder	1.000	ST	0000000000	0000013376
	11	4.058-087.0	Carrier suction bar	1.000	ST		0000000000
	12	7.312-008.0	Washer 12-200HV-A3E ISO 7090	1.000	ST	0000000000	0000000000
	13	7.311-429.0	Hexagon nut M12-04-A2E ISO 10511	1.000	ST	0000000000	0000000000
X-X	14	5.115-608.0	Washer	2.000	ST	0000000000	0000000000
	15	6.435-324.0	Ritenis D.200	2.000	ST	0000000000	0000000000
	16	6.435-301.0	Wheel cab	2.000	ST	0000000000	0000000000
	17	7.343-007.0	Locking ring 20x1,2-FST-RF DIN 471	2.000	ST	0000000000	0000000000
	18	7.312-017.0	wascher	2.000	ST	0000000000	0000000000
	20	7.306-090.0	Screw M6x16 -8.8-R3R (In6Rd)	2.000	ST	0000000000	0000000000
	21	7.312-003.0	Washer 6 -200HV-A3E ISO 7090	8.000	ST	0000000000	0000000000
	22	7.311-067.0	Hexagon nut M 6-A2-70 ISO 4032	2.000	ST	0000000000	0000000000
	23	5.332-206.0	Helical spring	1.000	ST	0000000000	0000000000
	28	6.368-295.0	protecting cap	2.000	ST	0000000000	0000000000
	29	5.031-554.0	Covering cap	1.000	ST	0000000000	0000000000
	30	7.312-057.0	washer	1.000	ST	0000000000	0000000000
	31	7.343-206.0	Sprostpaplāksne 12-2.1030 DIN 6799	1.000	ST	0000000000	0000000000

**30 Chassis BR 530**

Overview technical documents/Professional/Floor cleaner/Walk behind/BR 530

\*EU (1.127-121.0)/Spare parts list BR 530 Netz/30 Chassis BR 530

Rez.daļas/nodil.pakļ.daļas	Poz.	Materiāla Nr.	Nosaukums	Daudzums	Pārdoš. vienība	no sēr. Nr..	līdz sēr. Nr.
X-X	42	5.115-493.0	Paplāksne	1.000	ST	0000000000	0000000000
	43	7.343-005.0	Locking ring 16x1-FST-PHR DIN 471	1.000	ST	0000000000	0000000000
	44	2.850-322.0	Individual parts	1.000	ST	0000000000	0000000000
X-X	45	5.115-255.0	Paplāksne	2.000	ST	0000000000	0000000000
X-X	46	6.435-356.0	Ritenis D200	2.000	ST	0000000000	0000000000
X-X	47	7.343-004.0	Bloķētājgredzens 15x1-FST-PHR DIN 471	2.000	ST	0000000000	0000000000
	48	4.044-010.0	Holder	1.000	ST	0000013377	0000000000