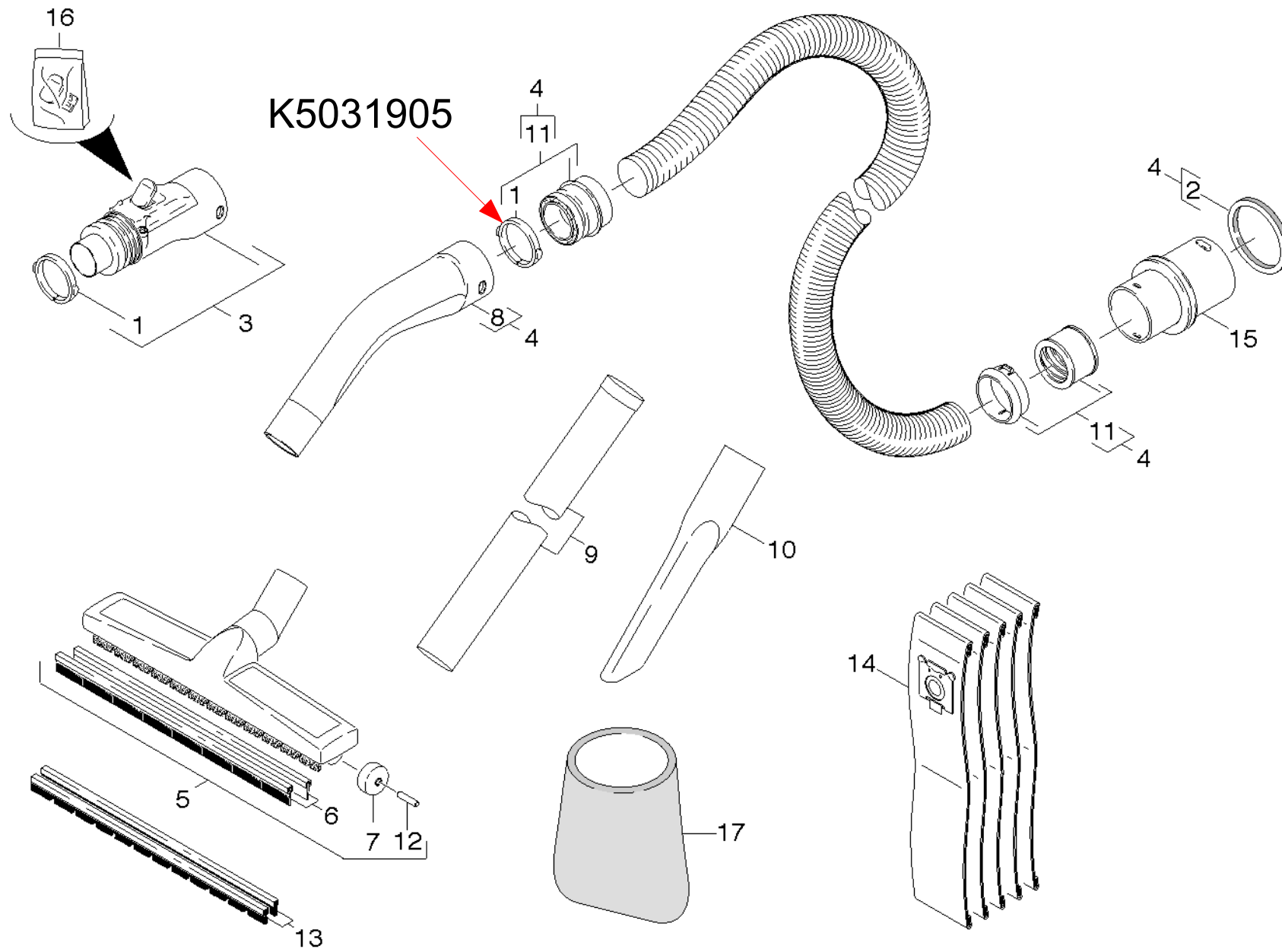


# 50 ZUBEHOER (0.165-243.0)

Uebersicht technische Dokumente/Professional/Sauger/Nasstockensauger/NT 70/2 Me Tc \*EU (1.667-207.0)/ETL NT 70/x Tc/50 ZUBEHOER (0.165-243.0)



**50 ZUBEHOER (0.165-243.0)**

Uebersicht technische Dokumente/Professional/Sauger/Nasstocksauger/NT 70/2 Me Tc \*EU (1.667-207.0)/ETL NT 70/x Tc/50 ZUBEHOER (0.165-243.0)

ET/VT	Pos	Materialnr.	Benennung	Menge	MEab	WK Nr.	bis WK.Nr.
X-X	1	5.031-905.0	Spannring C40	2.000	ST	00000000000000000000	
X-X	2	6.273-202.0	Schnur Moosgummi	1.000	ST	00000000000000000000	
X-X	3	4.060-474.0	Gehaeuse Modul C40	1.000	ST	00000000000000000000	
X-X	4	4.440-678.0	Saugschlauch kpl. C DN40-4000mm	1.000	ST	00000000000000000000	
X-X	5	6.906-554.0	Bodenduese DN40	1.000	ST	00000000000000000000	
X-X	6	6.905-877.0	Gummilippenst nur fuer Ersatz	1.000	ST	00000000000000000000	
X-X	7	6.435-292.0	Laufrolle nur fuer Ersatz	2.000	ST	00000000000000000000	
X-X	8	5.031-904.0	Kruemmer	1.000	ST	00000000000000000000	
X-X	9	6.900-275.0	Saugrohr DN40-0,55m	2.000	ST	00000000000000000000	
X-X	10	6.903-033.0	Fugenduese DN40	1.000	ST	00000000000000000000	
X-X	11	2.639-873.0	Reparatursatz	1.000	ST	00000000000000000000	
X-X	12	6.437-026.0	Achse	2.000	ST	00000000000000000000	
X-X	13	6.905-878.0	Buerstenleistenset nur fuer Ersatz	2.000	ST	00000000000000000000	
X-X	14	6.904-285.0	Filtertueten 5St. -NT 65/2 ECO	1.000	ST	00000000000000000000	
X	15	5.443-477.0	Schlauchstutzen DN40	1.000	ST	00000000000000000000	
	16	4.324-015.0	Taster Modul kpl.	1.000	ST	00000000000000000000	
X-X	17	2.889-083.0	Filterschaum verpackt	1.000	ST		