

## **Spare parts list**

(1.324-633.0) K 5 Premium Full Control Plus Home \*EU

## Table of contents

---

K 5 Premium Full Control Plus Home *EU (1.324-633.0)	4
201 Spare parts list K5 Premium FC Plus Home (5.974-554.0)	5
1 Pump set complete K5 FC Plus*EU	8
80 Pistons guide FC K5 kpl	10
90 E-box K4 FC with PCB EU (ric) (9.002-462.0)	12
140 Suction connection cpl FC + filter (9.002-432.0)	14
150 HP inner fitting K5 FC AI (9.013-435.0)	16
160 Motor complete H85 EU WCM 3 (ric) (9.002-467.0)	18
10 Motore completo H85 EU WCM3/3.5	20
170 Pump complete Alu FC Plus	22
10 Spare part set control head (9.002-463.0)	24
70 Injector cleaning agents complete (9.002-466.0)	26
12 Valve pin complete (4.584-022.0)	28
20 Pump head Alu FC ric (9.002-456.0)	30
30 Manifold fitting K5 FC kpl (9.013-346.0)	32
2 Set pump K5 FC Plus *EU	34
80 Pistons guide FC K5 kpl	36
90 Electric box FC P EU (9.002-499.0)	38
140 Suction connection cpl FC + filter (9.002-432.0)	40
150 HP inner fitting K5 FC AI (9.013-435.0)	42
160 Motor complete H85 EU WCM 3 (ric) (9.002-467.0)	44
10 Motore completo H85 EU WCM3/3.5	46
170 Pump complete Alu FC Plus	48
10 Spare part set control head (9.002-463.0)	50
70 Injector cleaning agents complete (9.002-466.0)	52
12 Valve pin complete (4.584-022.0)	54
20 Pump head Alu FC ric (9.002-456.0)	56
30 Manifold fitting K5 FC kpl (9.013-346.0)	58
10 G 180 Q Full Control Plus Pistole (2.643-992.0)	60
10 G 180 Q Full Control Plus Pistole (2.643-992.0)	62
11 MJ 145 3-in-1 Multi Jet Full Control (2.643-906.0)	64
17 Spare part set T 350 GBL, grau (2.885-479.0)	66
3 Bearing support kpl.	68
1 Adapter complete	70
9001 Spare part set nozzles 015 (2.885-105.0)	72
18 Single-step jet pipe extension (2.643-240.0)	74
120 Hose reel complete K4 FC Quick Connect	76
13 High pressure hose 16MPa/9 60°C QC B (6.391-794.0)	78

## Table of contents

---

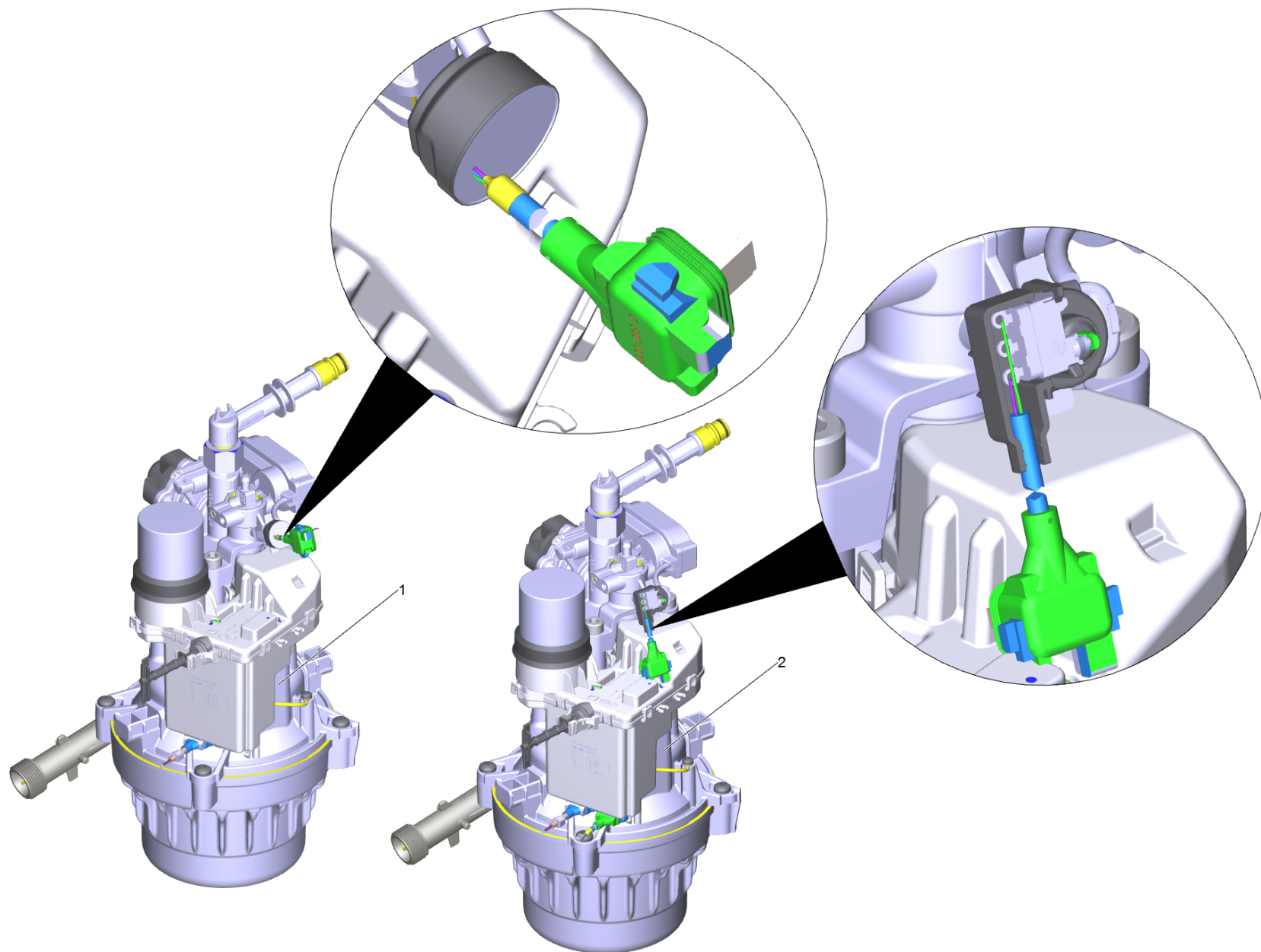
9002 Hose reel FC QC Bayonet complete (9.002-440.0)	80
123 Docking station complete FC (9.002-481.0)	82
131 Wheel in pairs FC 1K D160 (9.002-438.0)	84
220 Short spare parts list	86

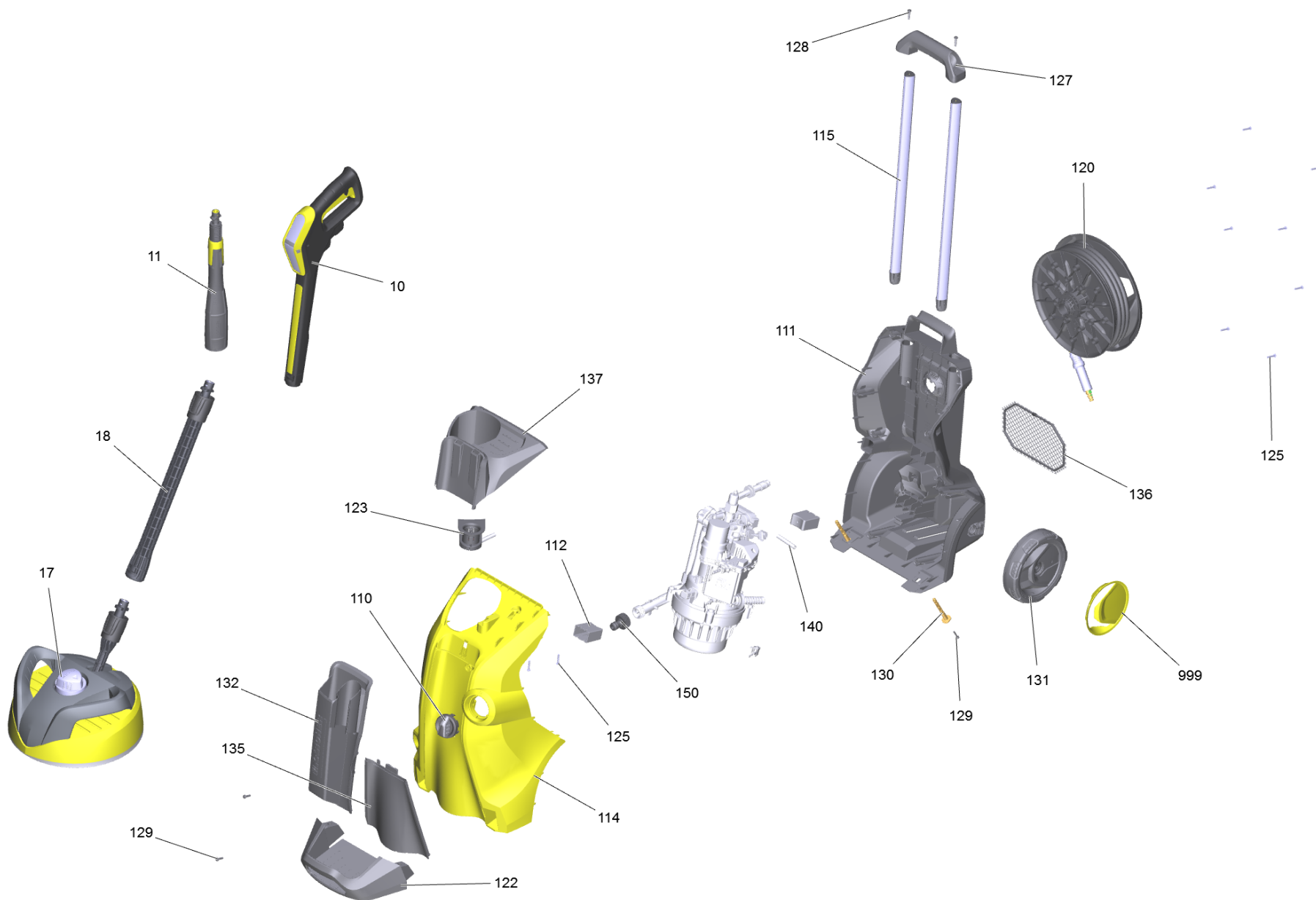
K 5 Premium Full Control Plus Home \*EU (1.324-633.0)

---

<b>POS</b>	<b>Article no.</b>	<b>Description</b>	<b>Quantity</b>	<b>Unit</b>
201	5.974-554.0	Spare parts list K5 Premium FC Plus Home	1.000	ST
220		Short spare parts list	1.000	ST

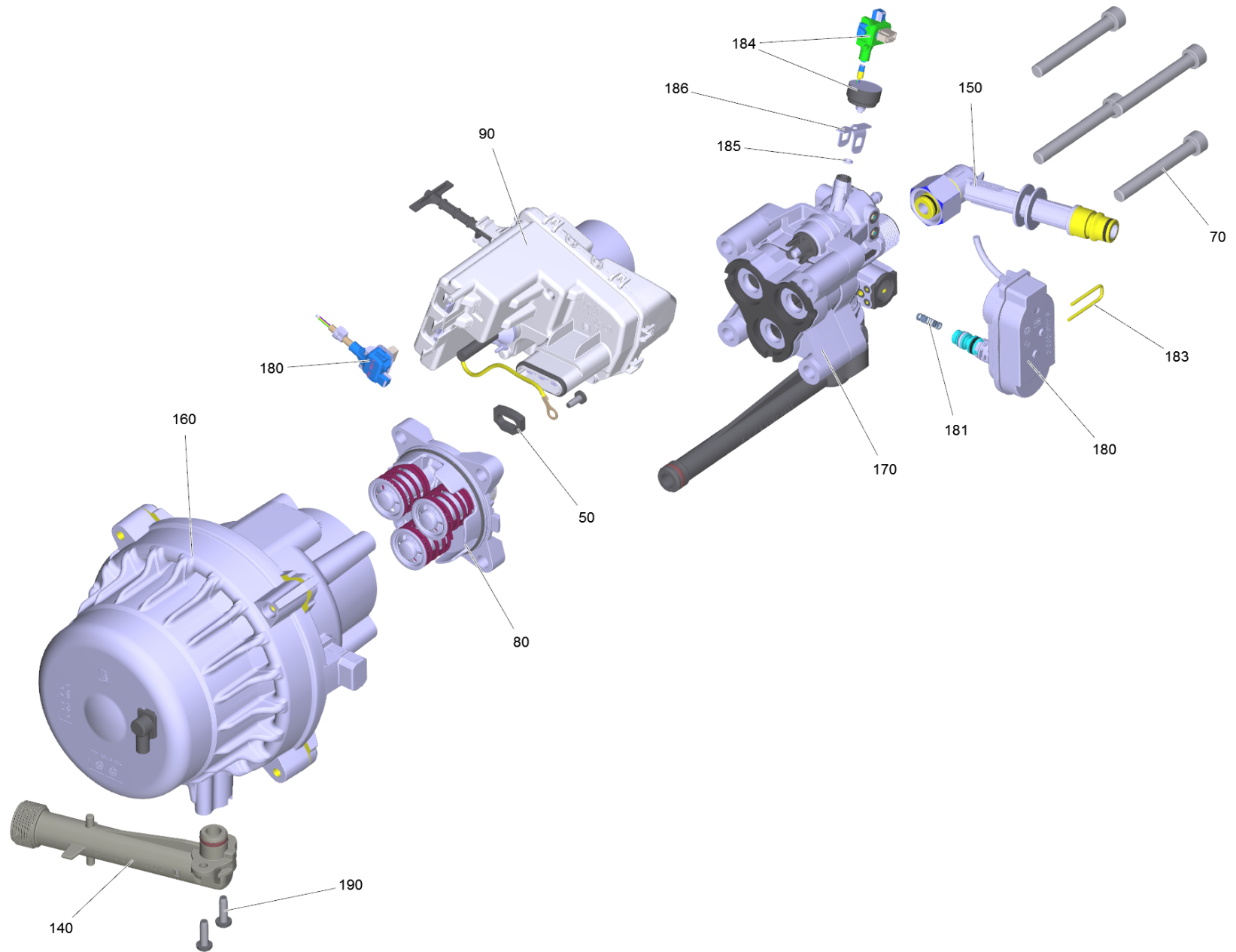






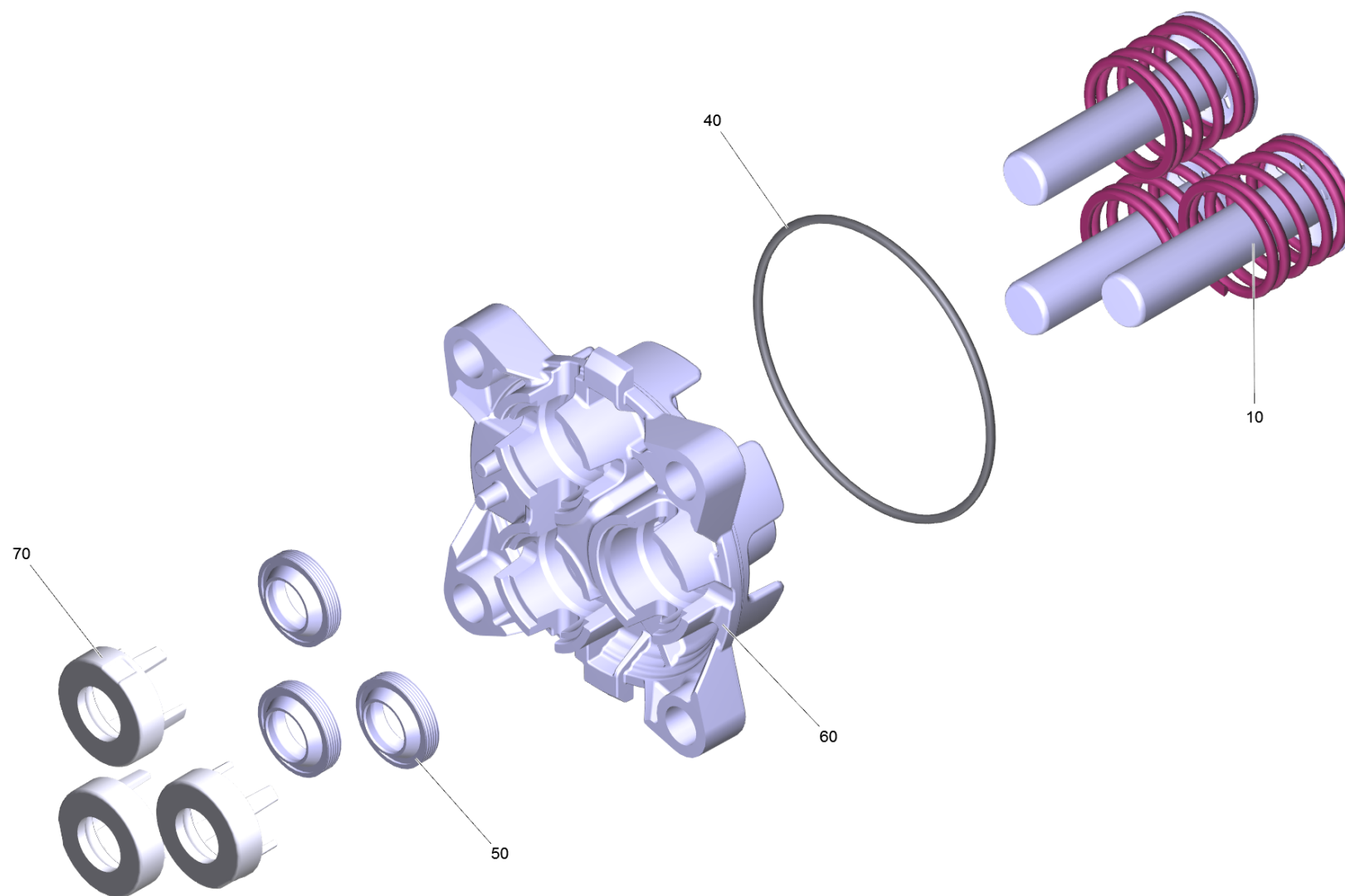
## 201 Spare parts list K5 Premium FC Plus Home (5.974-554.0)

POS	Article no.	Description	Quantity	Unit	Foot note text
1		Pump set complete K5 FC Plus*EU	1.000	ST	VERSION 1
2		Set pump K5 FC Plus *EU	1.000	ST	VERSION 2
10	2.643-992.0	G 180 Q Full Control Plus Pistole	1.000	ST	VERSION 1
		<b>Item text1:</b> to Pump set Pos.1 // zu Pumpensatz Pos.1			
10	2.643-992.0	G 180 Q Full Control Plus Pistole	1.000	ST	VERSION 2
		<b>Item text1:</b> to Pump set Pos.2 // zu Pumpensatz Pos.2			
11	2.643-906.0	MJ 145 3-in-1 Multi Jet Full Control	1.000	ST	
17	2.885-479.0	Spare part set T 350 GBL, grau	1.000	ST	
18	2.643-240.0	Single-step jet pipe extension	1.000	ST	
110	9.048-123.0	2K KNOB black	1.000	ST	
111	9.002-436.0	Back housing FC (ric)	1.000	ST	
112	9.038-456.0	Chassis support FC	2.000	ST	
114	9.002-443.0	Front housing FC neutral packed	1.000	ST	
115	9.002-448.0	Telescopic handle ALU bar FC kpl	1.000	ST	SET OF 2 PIECES
120		Hose reel complete K4 FC Quick Connect	1.000	ST	
122	9.002-446.0	Spare part Bumper FC packed	1.000	ST	
123	9.002-481.0	Docking station complete FC	1.000	ST	
125	9.086-221.0	Screw ATF 4.1x22	12.000	ST	
127	9.002-447.0	Spare part Handle FC packed	1.000	ST	
128	9.086-230.0	Screw M4x16 ISO 7045 8.8 Zn/N	2.000	ST	
129	6.303-121.0	Screw 4,0X16,0-ST-VERZ	4.000	ST	
130	5.317-896.0	Bolt stand foot	2.000	ST	
131	9.002-438.0	Wheel in pairs FC 1K D160	1.000	ST	
132	9.002-434.0	Kit Parking Position K5	1.000	ST	
135	9.002-449.0	Front panel K5 + imballo	1.000	ST	
136	9.002-435.0	Accessory net	1.000	ST	
137	9.002-445.0	Top Panel FC spare part packed	1.000	ST	
140	6.388-216.0	Hose DN 5	1.000	M	
150	6.465-031.0	Connection 3/4	1.000	ST	
999	9.038-444.0	Yellow cover FC 1K wheel D160	2.000	ST	



## 1 Pump set complete K5 FC Plus\*EU

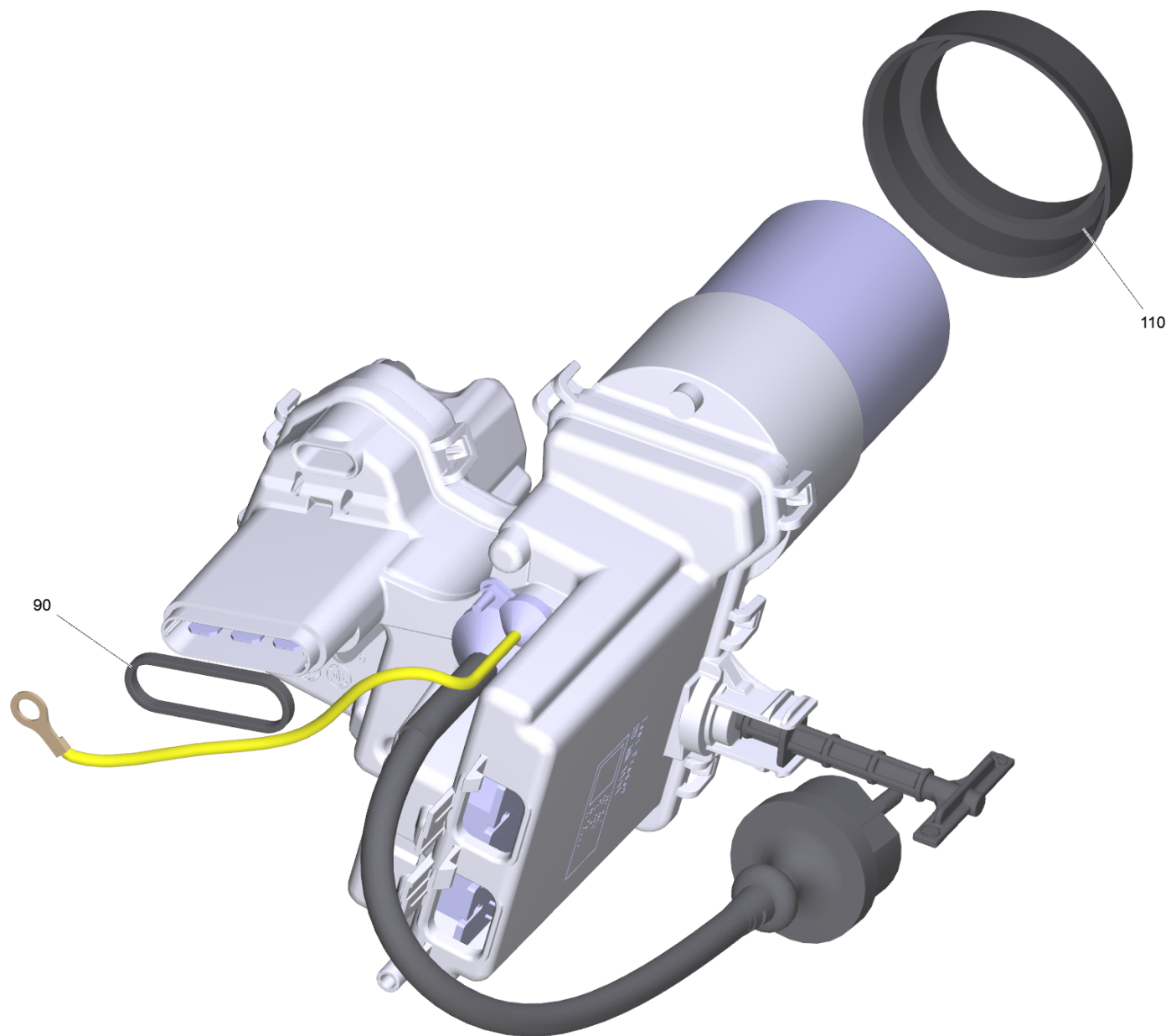
POS	Article no.	Description	Quantity	Unit
50	9.048-071.0	Spacer - Seal	1.000	ST
70	7.306-151.0	Cylinder head screw M8x65 -8.8-A2E ISO4	4.000	ST
80		Pistons guide FC K5 kpl	1.000	ST
90	9.002-462.0	E-box K4 FC with PCB EU (ric)	1.000	ST
140	9.002-432.0	Suction connection cpl FC + filter	1.000	ST
150	9.013-435.0	HP inner fitting K5 FC AI	1.000	ST
160	9.002-467.0	Motor complete H85 EU WCM 3 (ric)	1.000	ST
170		Pump complete Alu FC Plus	1.000	ST
180	6.440-000.3	Lifting drive complete	1.000	ST
181	5.333-215.0	Pressure spring by-pass	1.000	ST
183	5.048-048.0	Clamp	1.000	ST
184	6.645-999.3	Pressure sensor complete	1.000	ST
185	6.362-984.0	O-Ring d. 3 x 1,5 NBR 80	1.000	ST
186	5.048-047.0	Clamp pressure sensor	1.000	ST
190	7.303-076.0	Sheet metal screw ST4,8X13 -St-R2R (In6	2.000	ST



## 80 Pistons guide FC K5 kpl

---

<b>POS</b>	<b>Article no.</b>	<b>Description</b>	<b>Quantity</b>	<b>Unit</b>
10	9.001-927.0	Piston complete	3.000	ST
40	9.080-425.0	O-Ring seal 60 x 2 NBR 70	1.000	ST
50	9.078-015.0	Grooved ring	3.000	ST
60	9.042-151.0	Pistons guide pump K5 FC machined	1.000	ST
70	9.038-428.0	Supportring 6,7 mm	3.000	ST

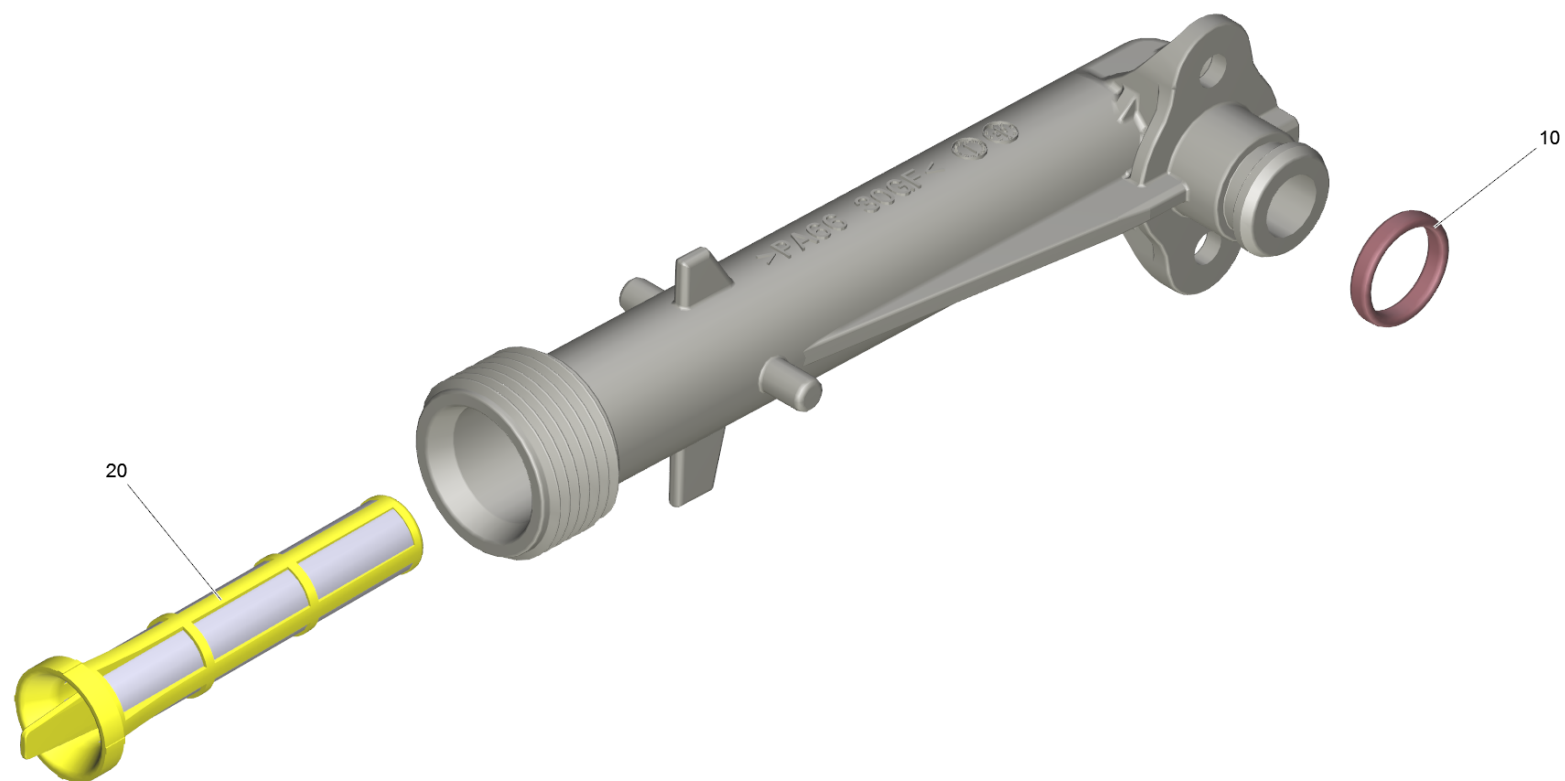




90 E-box K4 FC with PCB EU (ric) (9.002-462.0)

---

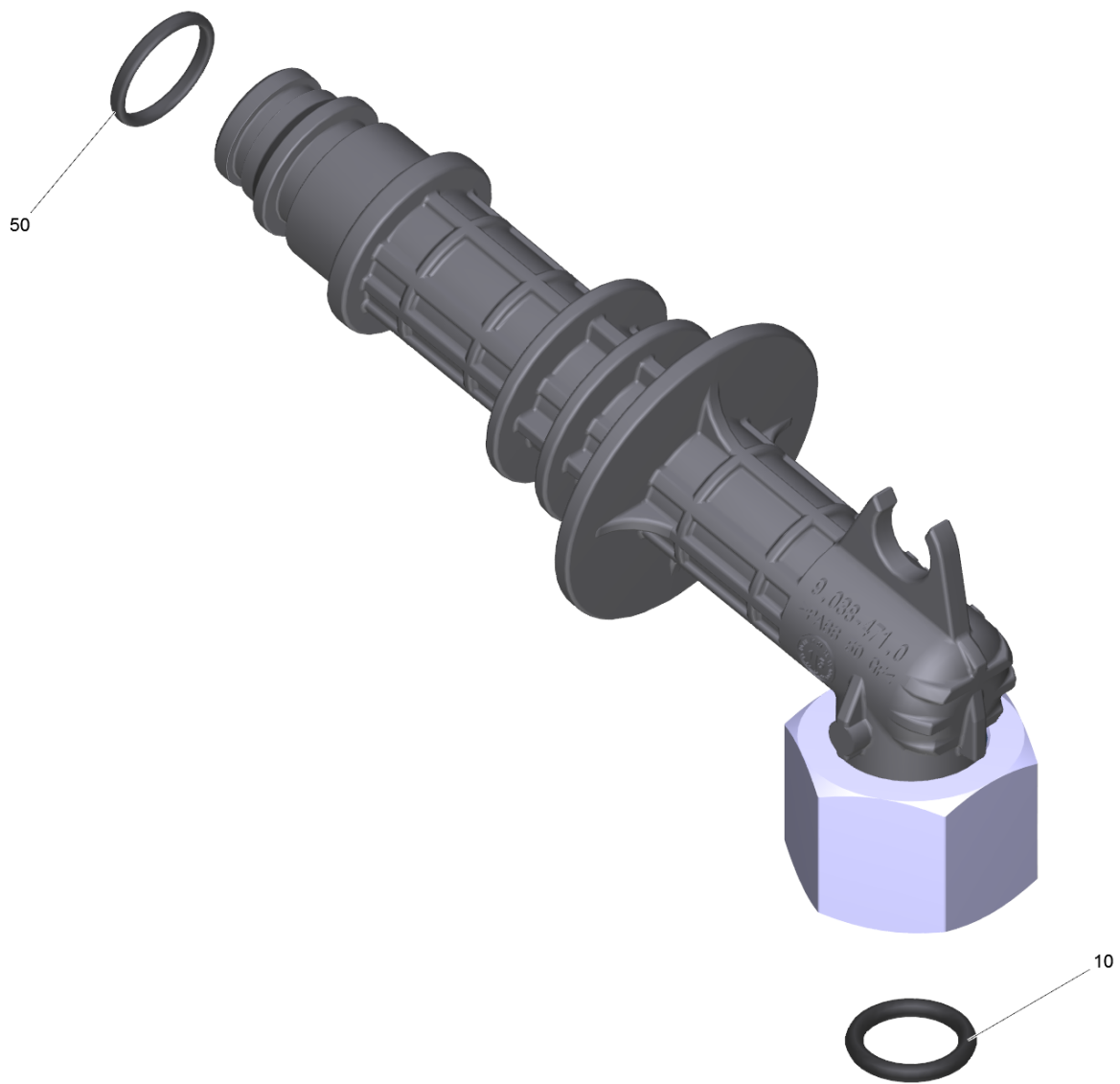
<b>POS</b>	<b>Article no.</b>	<b>Description</b>	<b>Quantity</b>	<b>Unit</b>
90	9.080-494.0	OR 20x2 EPDM70ShA PTFE	1.000	ST
110	9.080-465.0	Joint ring capacitor d.45, 70 Shore	1.000	ST



140 Suction connection cpl FC + filter (9.002-432.0)

---

<b>POS</b>	<b>Article no.</b>	<b>Description</b>	<b>Quantity</b>	<b>Unit</b>
10	9.080-513.0	OR 12x2.1 EPDM 70 perox	1.000	ST
20	5.731-021.0	Fine filter K4/K5	1.000	ST



150 HP inner fitting K5 FC AI (9.013-435.0)

---

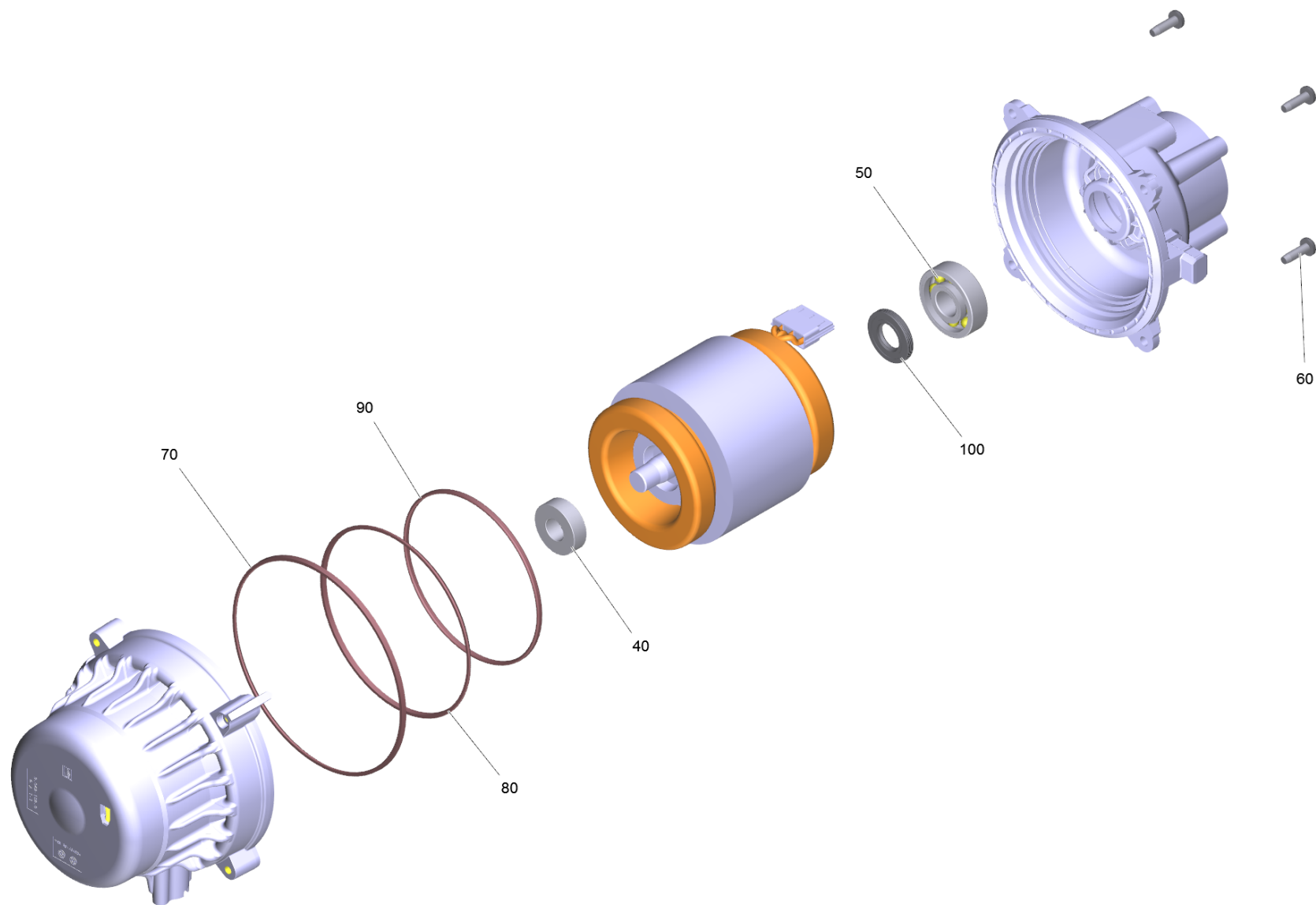
<b>POS</b>	<b>Article no.</b>	<b>Description</b>	<b>Quantity</b>	<b>Unit</b>
10	6.362-151.0	O-Ring d. 10 x 2 NBR 70	1.000	ST
50	9.080-422.0	O-RING 11,5X1,5 NBR 70	1.000	ST



160 Motor complete H85 EU WCM 3 (ric) (9.002-467.0)

---

<b>POS</b>	<b>Article no.</b>	<b>Description</b>	<b>Quantity</b>	<b>Unit</b>
10		Motore completo H85 EU WCM3/3.5	1.000	ST
20	9.001-671.0	Wobble plate	1.000	ST
50	9.086-205.0	Screw	1.000	ST
60	9.038-381.0	Dreinage pipe WCM 3/3.5	1.000	ST

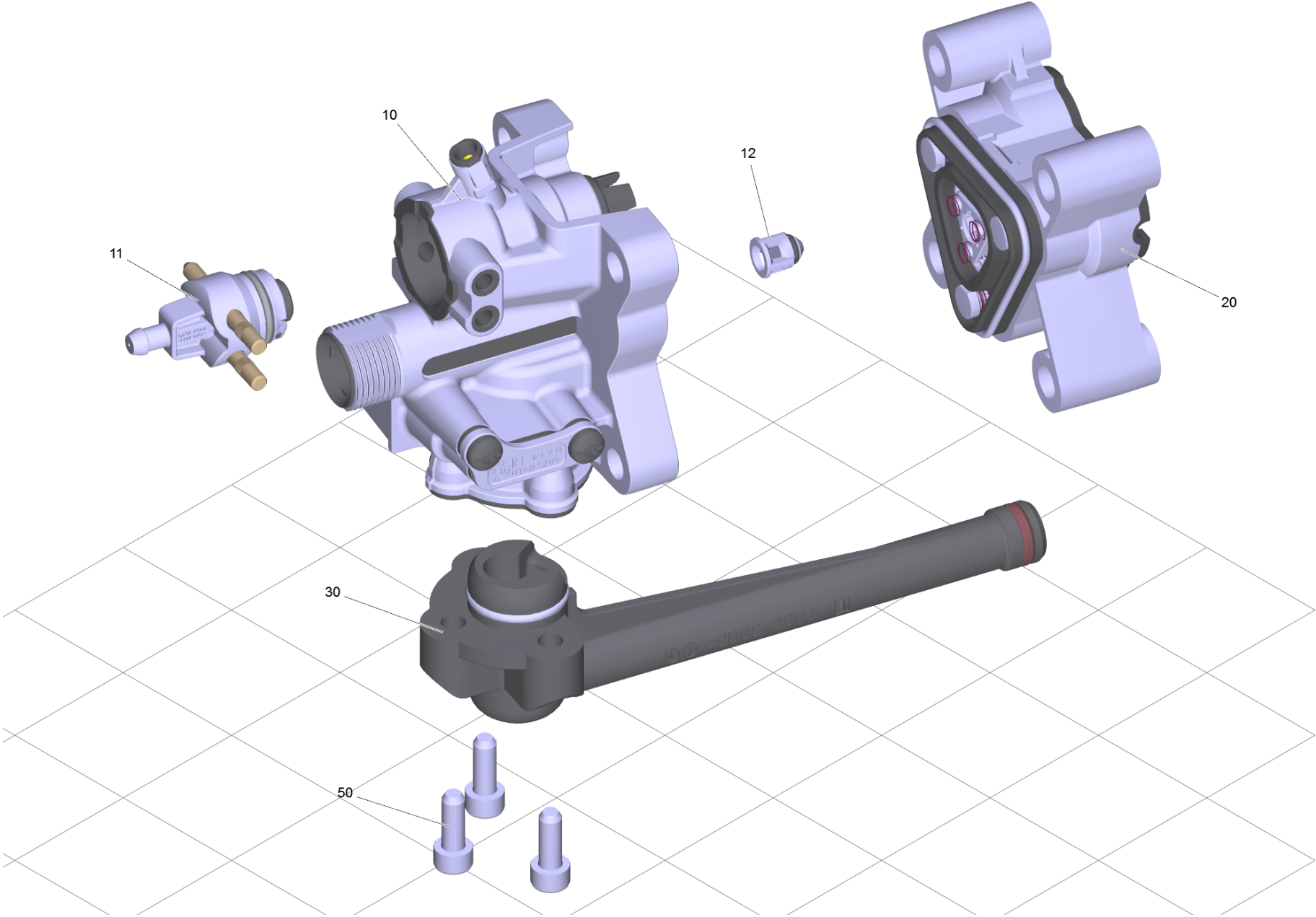




## 10 Motore completo H85 EU WCM3/3.5

---

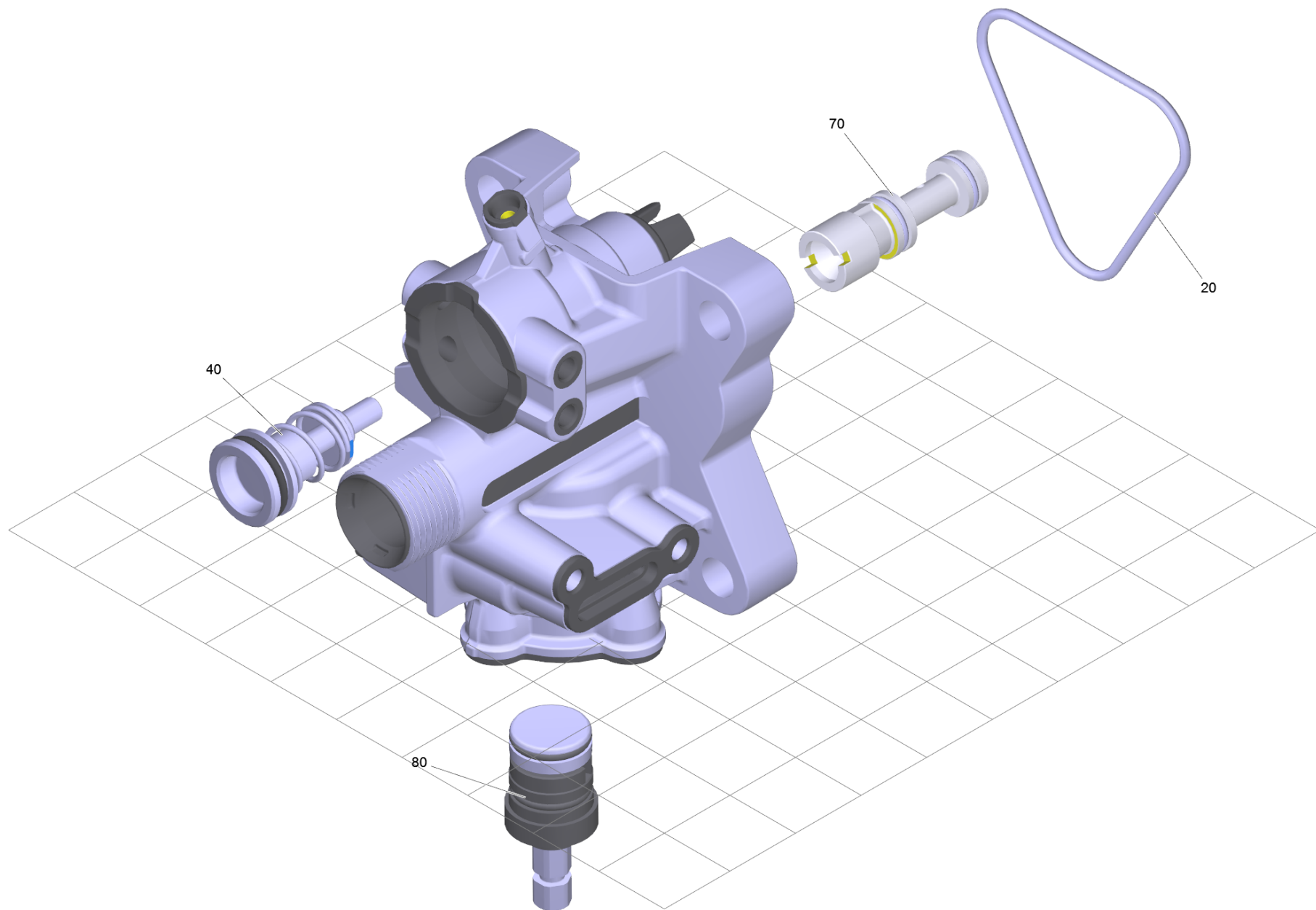
<b>POS</b>	<b>Article no.</b>	<b>Description</b>	<b>Quantity</b>	<b>Unit</b>
40	7.401-128.0	Ball bearing 6202-2RS -Wälzl.St DIN 625	1.000	ST
50	7.401-136.0	Ball bearing 6303 St DIN 625 17x47x14	1.000	ST
60	7.306-092.0	Screw M6x20-ST- 8.8-R3R (IN6RD)	4.000	ST
70	9.080-503.0	O-ring d.113,0x3.0 EPDM 70	1.000	ST
80	9.080-504.0	O-Ring seal 124x3 EPDM 70	2.000	ST
90	9.080-505.0	O-Ring seal 142.2x3 EPDM 70	1.000	ST
100	9.078-021.0	Grooved ring 17x35x5	1.000	ST



## 170 Pump complete Alu FC Plus

---

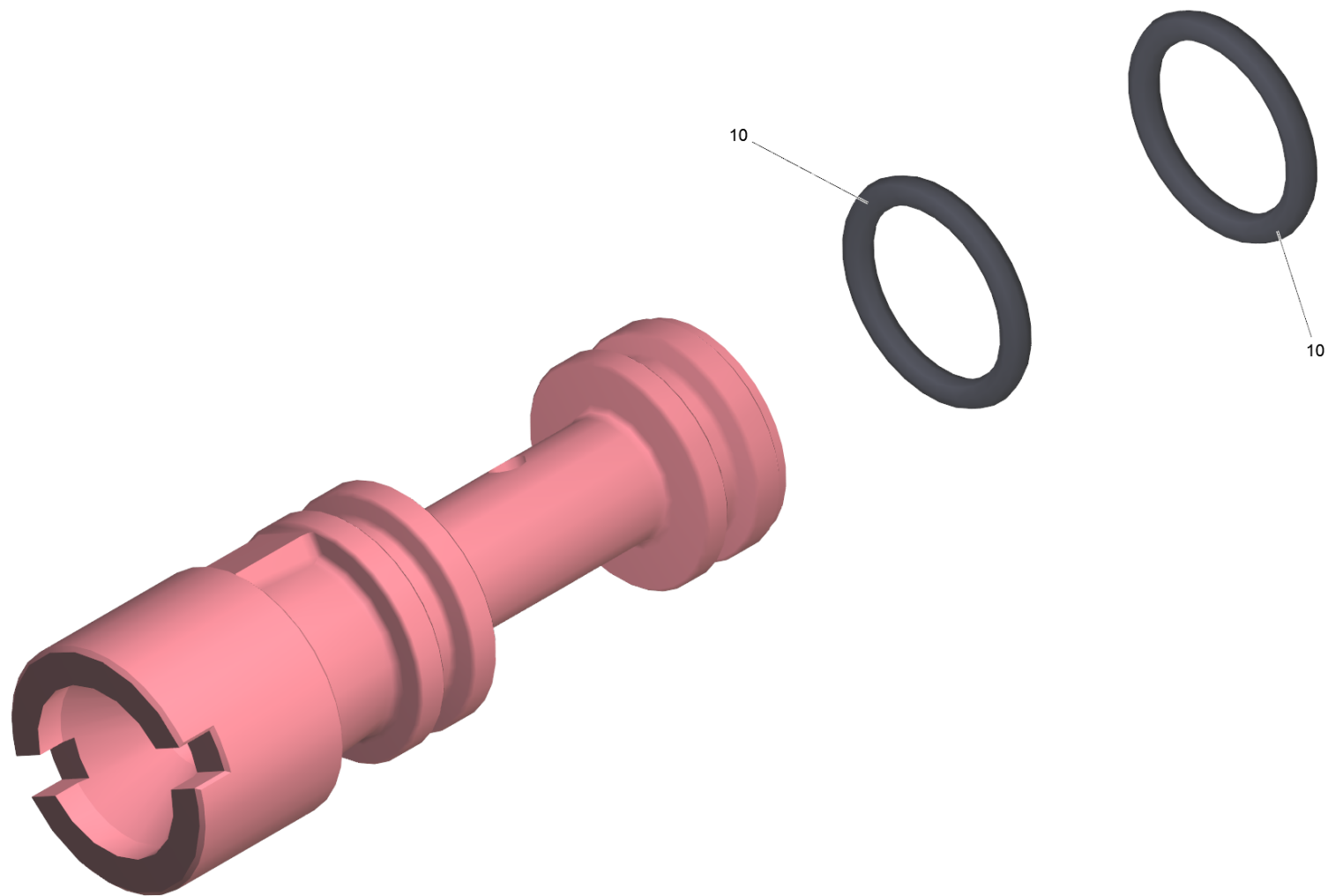
POS	Article no.	Description	Quantity	Unit
10	9.002-463.0	Spare part set control head	1.000	ST
11	9.002-464.0	Spare parts set chemistry	1.000	ST
12	4.584-022.0	Valve pin complete	1.000	ST
20	9.002-456.0	Pump head Alu FC ric	1.000	ST
30	9.013-346.0	Manifold fitting K5 FC kpl	1.000	ST
50	9.086-199.0	Screw M6x16	3.000	ST



## 10 Spare part set control head (9.002-463.0)

---

<b>POS</b>	<b>Article no.</b>	<b>Description</b>	<b>Quantity</b>	<b>Unit</b>
20	9.081-424.0	Form seal	1.000	ST
40	9.002-441.0	Pressure piston K5 FC	1.000	ST
70	9.002-466.0	Injector cleaning agents complete	1.000	ST
80	9.001-281.0	By-pass valve	1.000	ST

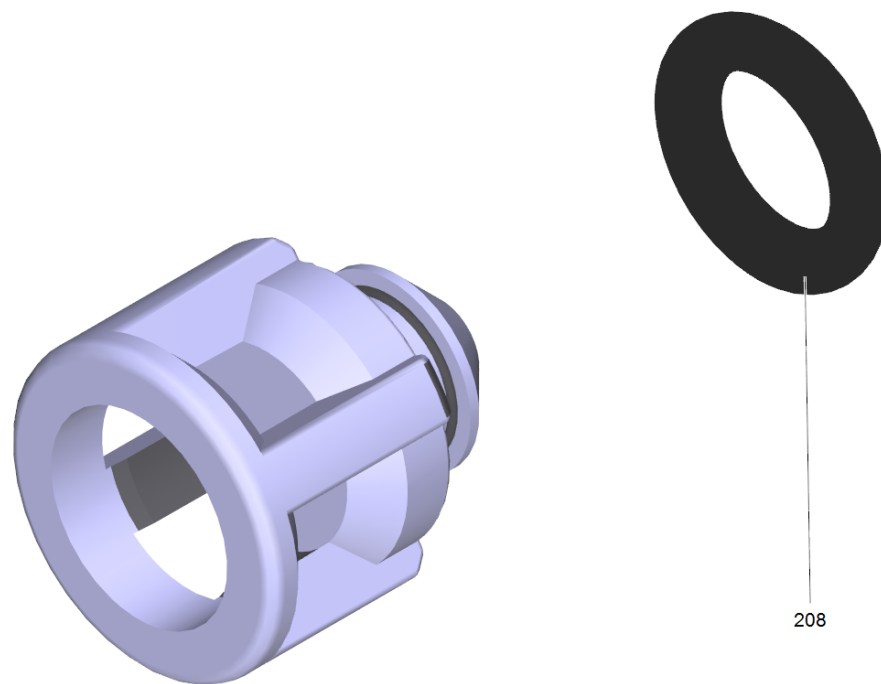


70 Injector cleaning agents complete (9.002-466.0)

---

<b>POS</b>	<b>Article no.</b>	<b>Description</b>	<b>Quantity</b>	<b>Unit</b>
10	9.080-472.0	O-ring 9 x 1,5 NBR 70	2.000	ST

---



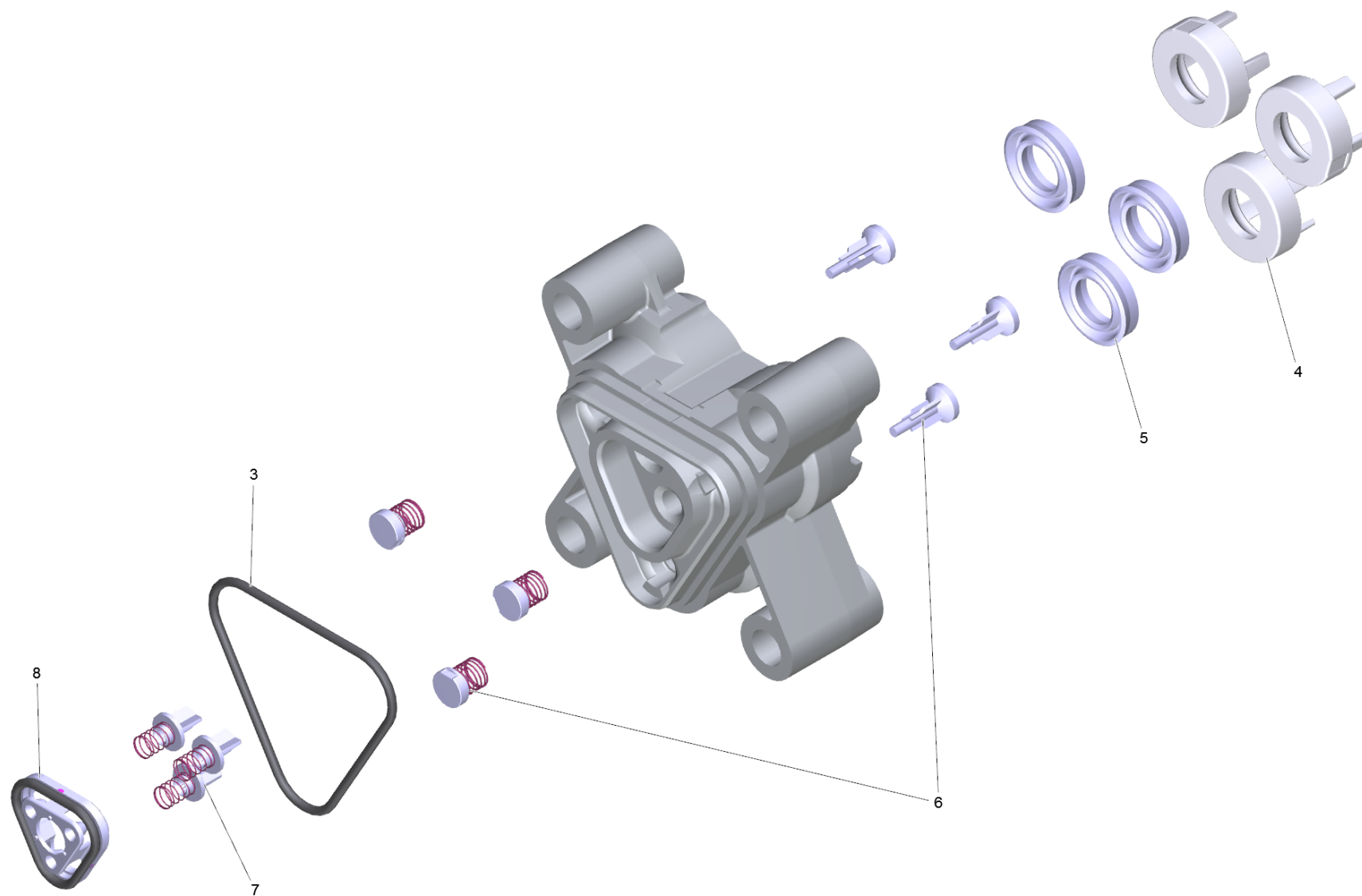
208



12 Valve pin complete (4.584-022.0)

---

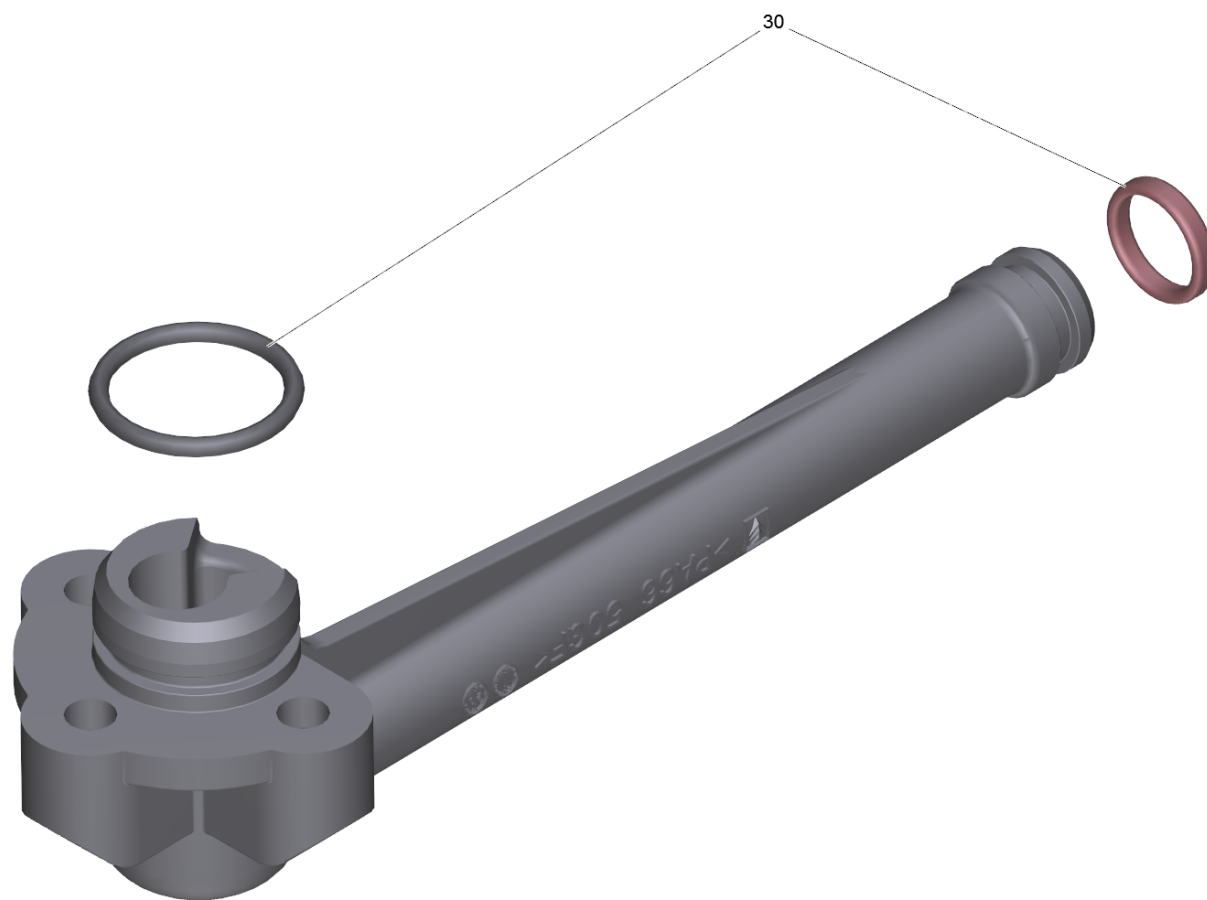
<b>POS</b>	<b>Article no.</b>	<b>Description</b>	<b>Quantity</b>	<b>Unit</b>
208	6.363-613.0	O-Ring seal 4 x 2 -NBR90	1.000	ST



## 20 Pump head Alu FC ric (9.002-456.0)

---

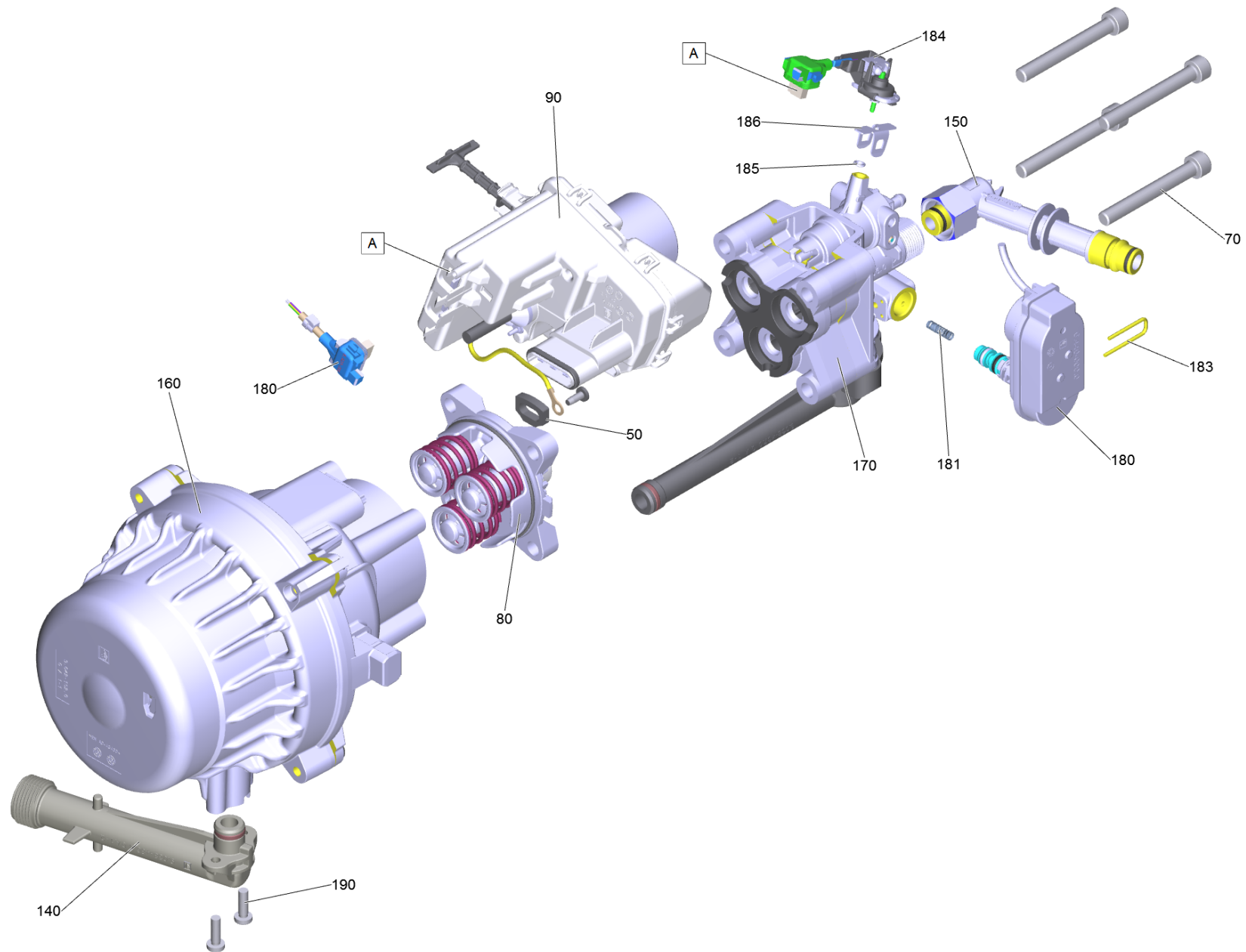
<b>POS</b>	<b>Article no.</b>	<b>Description</b>	<b>Quantity</b>	<b>Unit</b>
3	9.081-424.0	Form seal	1.000	ST
4	9.038-428.0	Supportring 6,7 mm	3.000	ST
5	6.362-875.0	Grooved ring	3.000	ST
6	9.001-110.0	Moulded part complete	1.000	ST
7	9.001-275.0	Valve set	1.000	ST
8	9.001-276.0	Joining piece	1.000	ST



30 Manifold fitting K5 FC kpl (9.013-346.0)

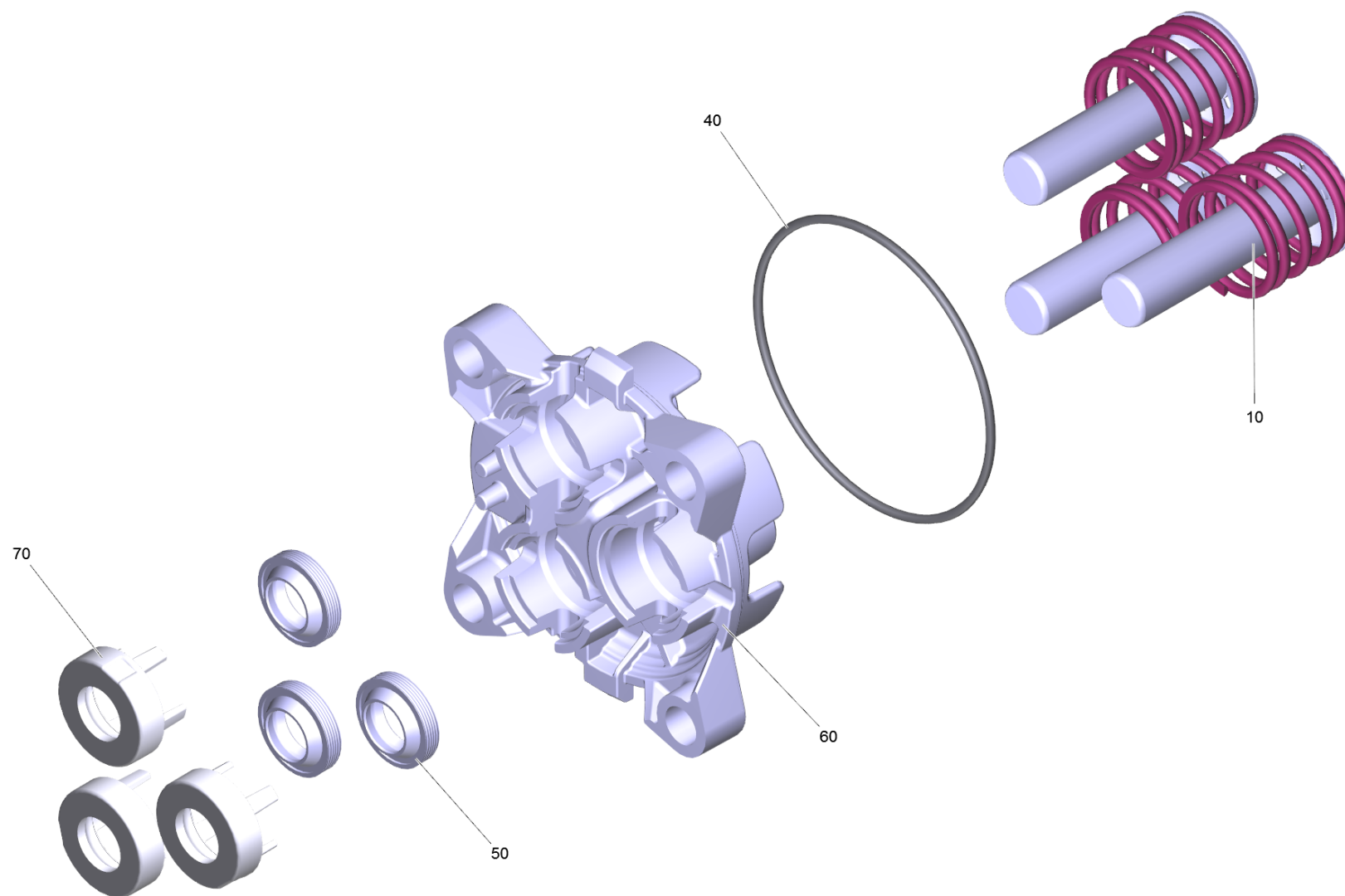
---

<b>POS</b>	<b>Article no.</b>	<b>Description</b>	<b>Quantity</b>	<b>Unit</b>
30	9.002-444.0	kIT O-ring Manifold fitting pump K5 FC	1.000	ST



2 Set pump K5 FC Plus \*EU

POS	Article no.	Description	Quantity	Unit
50	9.048-071.0	Spacer - Seal	1.000	ST
70	7.306-151.0	Cylinder head screw M8x65 -8.8-A2E ISO4	4.000	ST
80		Pistons guide FC K5 kpl	1.000	ST
90	9.002-499.0	Electric box FC P EU	1.000	ST
140	9.002-432.0	Suction connection cpl FC + filter	1.000	ST
150	9.013-435.0	HP inner fitting K5 FC AI	1.000	ST
160	9.002-467.0	Motor complete H85 EU WCM 3 (ric)	1.000	ST
170		Pump complete Alu FC Plus	1.000	ST
180	6.440-000.3	Lifting drive complete	1.000	ST
181	5.333-215.0	Pressure spring by-pass	1.000	ST
183	5.048-048.0	Clamp	1.000	ST
184	6.630-839.3	Pressure switch only for replacement	1.000	ST
185	6.363-716.0	O-Ring seal 2,2x1,7 -NBR 80	1.000	ST
186	5.048-047.0	Clamp pressure sensor	1.000	ST
190	7.303-076.0	Sheet metal screw ST4,8X13 -St-R2R (In6	2.000	ST

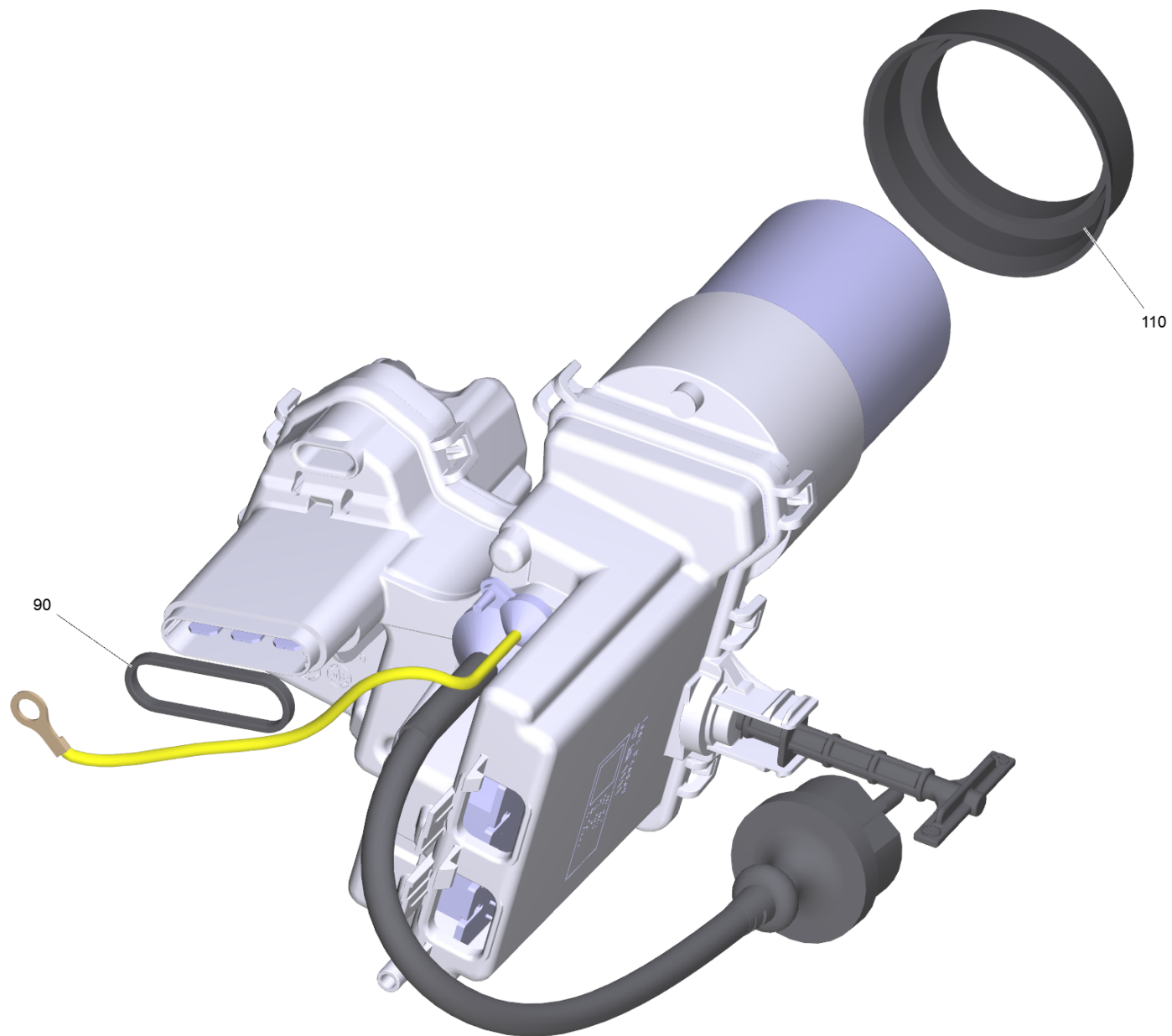




## 80 Pistons guide FC K5 kpl

---

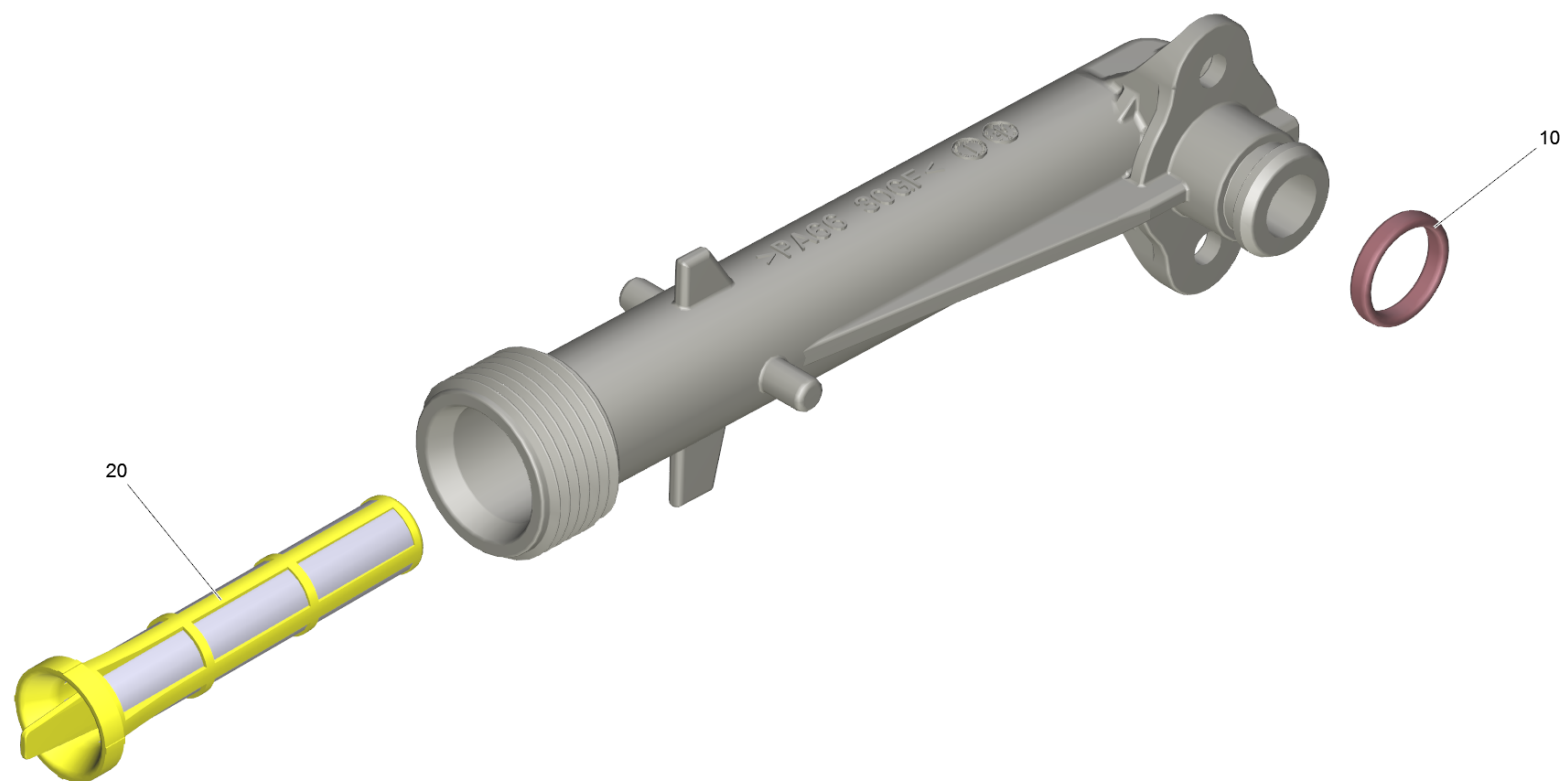
<b>POS</b>	<b>Article no.</b>	<b>Description</b>	<b>Quantity</b>	<b>Unit</b>
10	9.001-927.0	Piston complete	3.000	ST
40	9.080-425.0	O-Ring seal 60 x 2 NBR 70	1.000	ST
50	9.078-015.0	Grooved ring	3.000	ST
60	9.042-151.0	Pistons guide pump K5 FC machined	1.000	ST
70	9.038-428.0	Supportring 6,7 mm	3.000	ST



90 Electric box FC P EU (9.002-499.0)

---

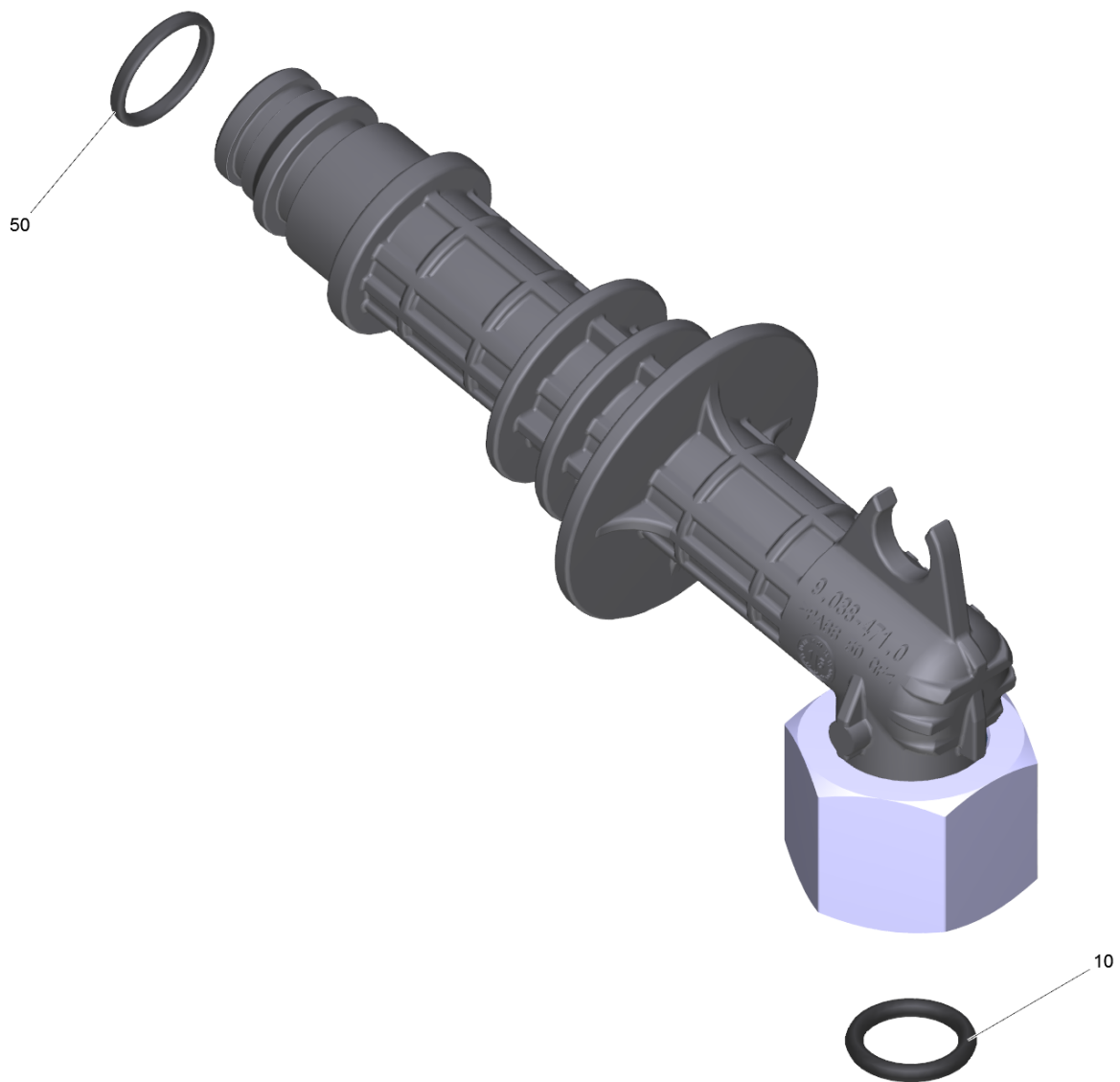
<b>POS</b>	<b>Article no.</b>	<b>Description</b>	<b>Quantity</b>	<b>Unit</b>
90	9.080-494.0	OR 20x2 EPDM70ShA PTFE	1.000	ST
110	9.080-465.0	Joint ring capacitor d.45, 70 Shore	1.000	ST



140 Suction connection cpl FC + filter (9.002-432.0)

---

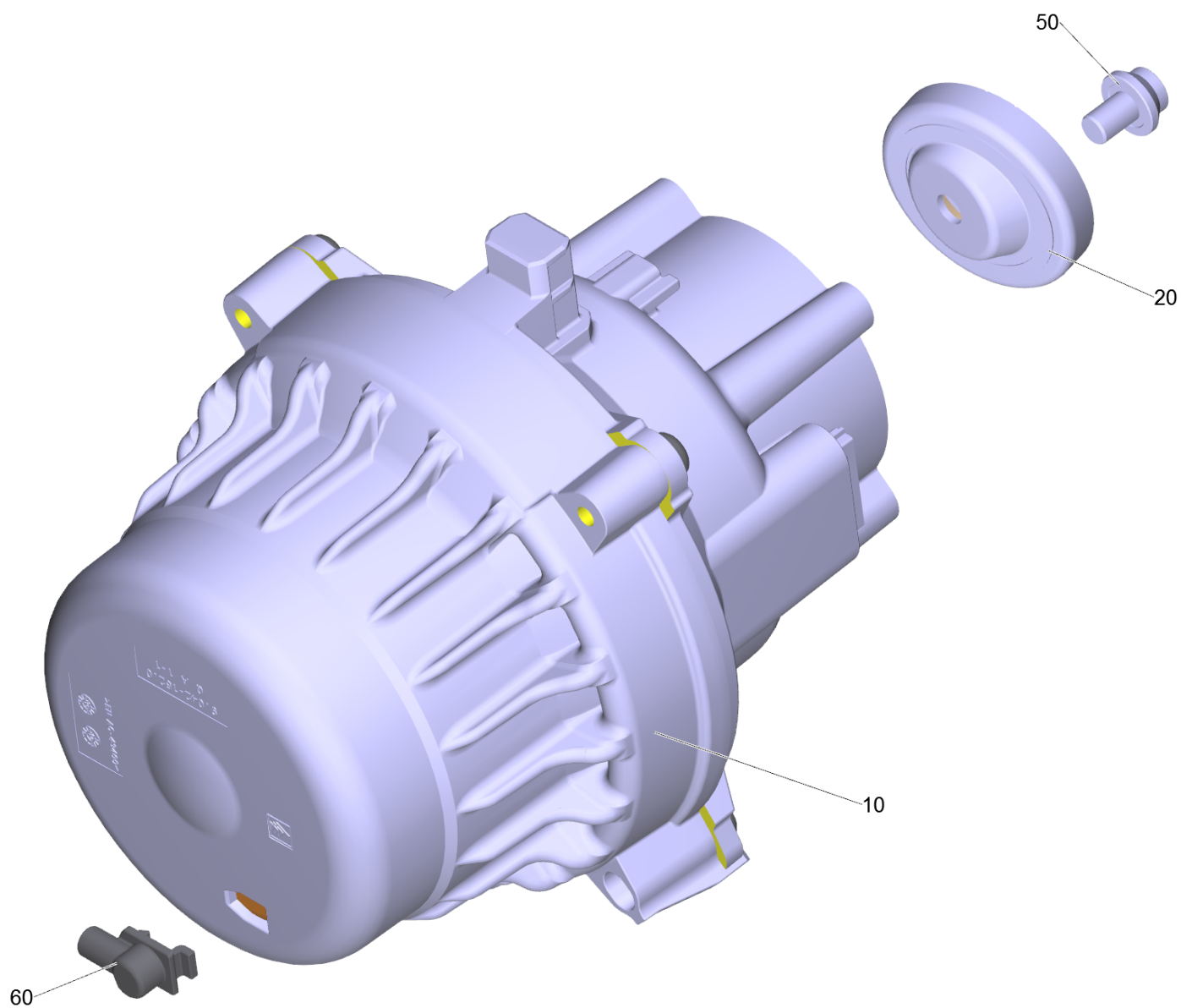
<b>POS</b>	<b>Article no.</b>	<b>Description</b>	<b>Quantity</b>	<b>Unit</b>
10	9.080-513.0	OR 12x2.1 EPDM 70 perox	1.000	ST
20	5.731-021.0	Fine filter K4/K5	1.000	ST



150 HP inner fitting K5 FC AI (9.013-435.0)

---

POS	Article no.	Description	Quantity	Unit
10	6.362-151.0	O-Ring d. 10 x 2 NBR 70	1.000	ST
50	9.080-422.0	O-RING 11,5X1,5 NBR 70	1.000	ST

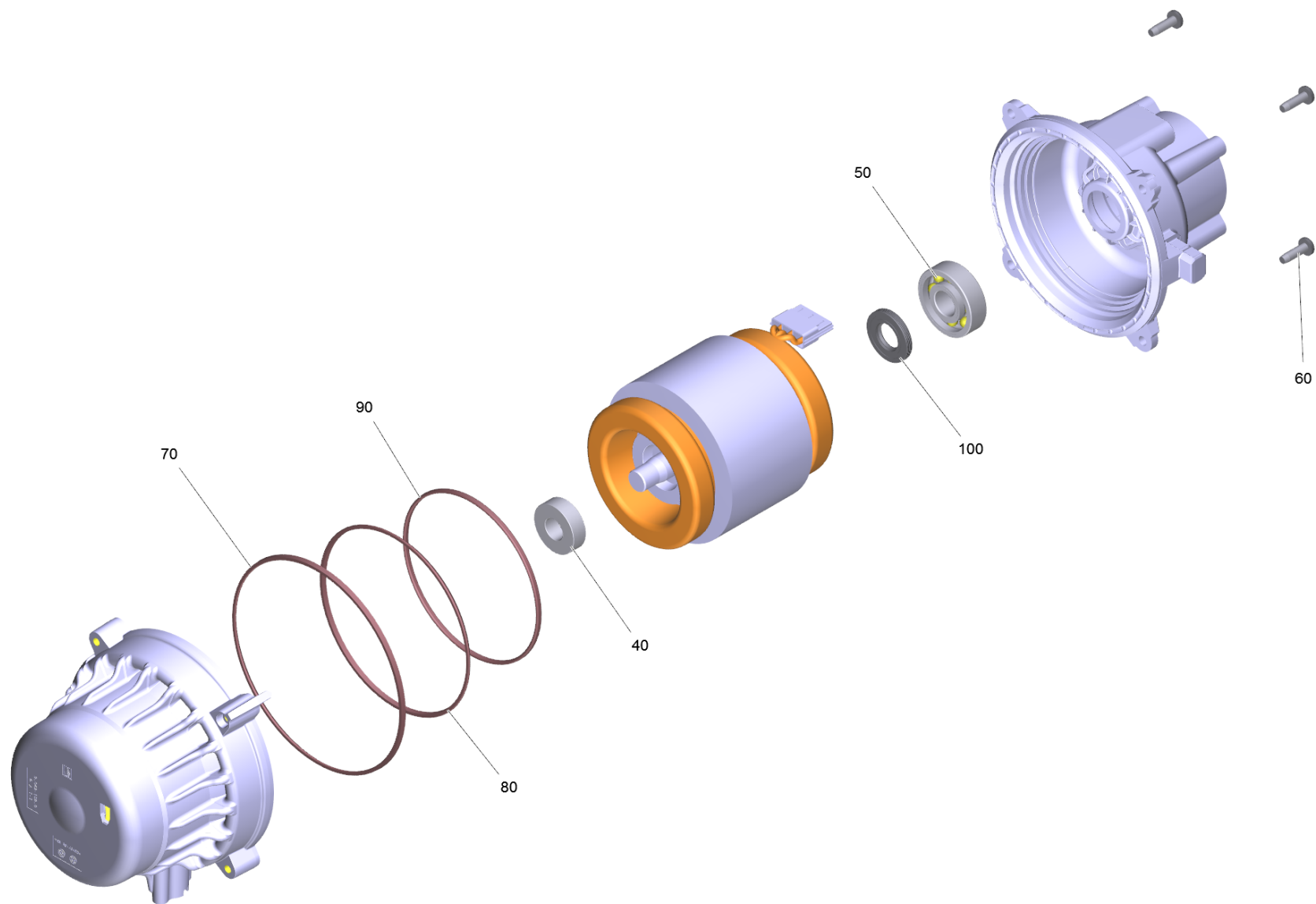




160 Motor complete H85 EU WCM 3 (ric) (9.002-467.0)

---

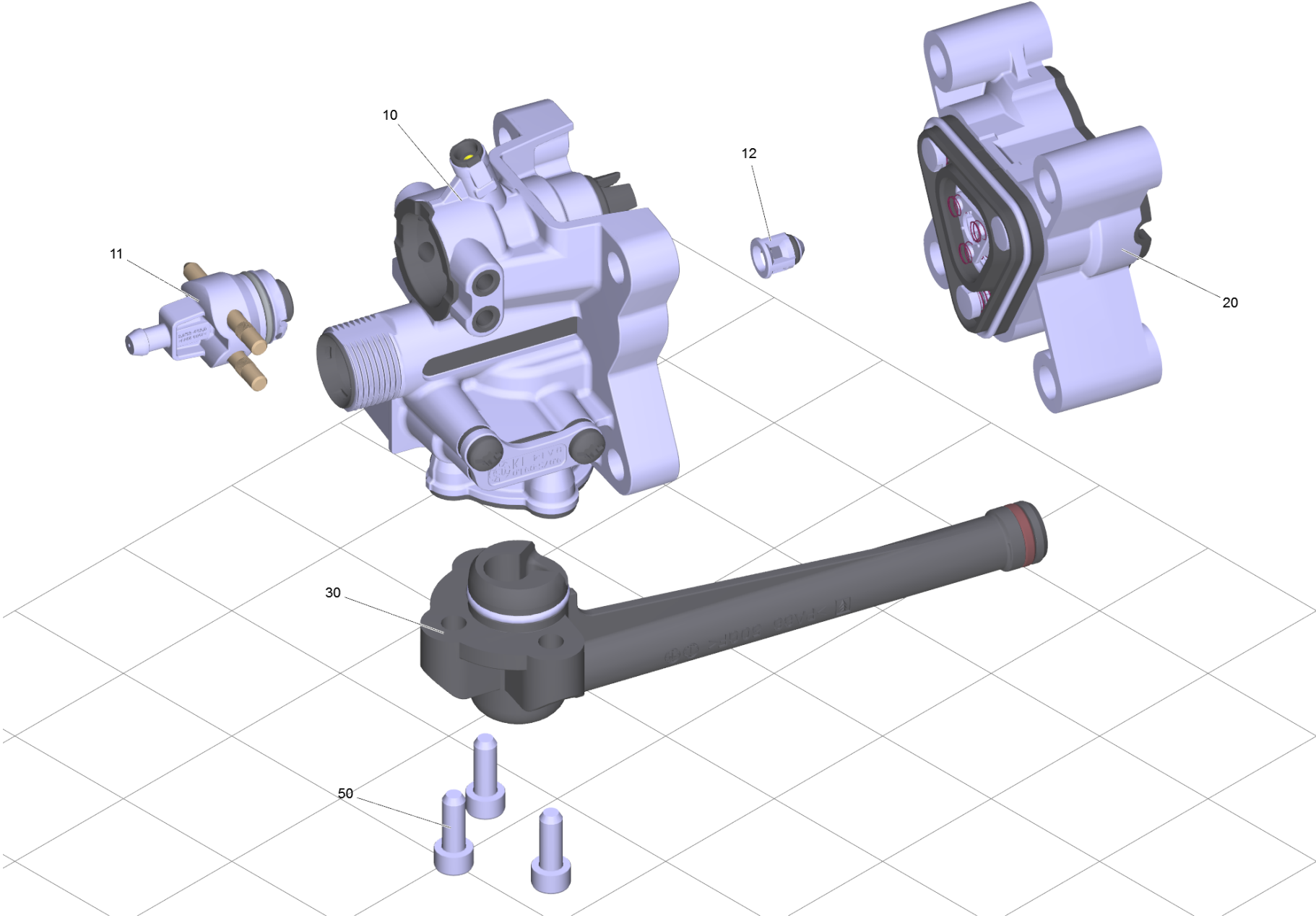
<b>POS</b>	<b>Article no.</b>	<b>Description</b>	<b>Quantity</b>	<b>Unit</b>
10		Motore completo H85 EU WCM3/3.5	1.000	ST
20	9.001-671.0	Wobble plate	1.000	ST
50	9.086-205.0	Screw	1.000	ST
60	9.038-381.0	Dreinage pipe WCM 3/3.5	1.000	ST



## 10 Motore completo H85 EU WCM3/3.5

---

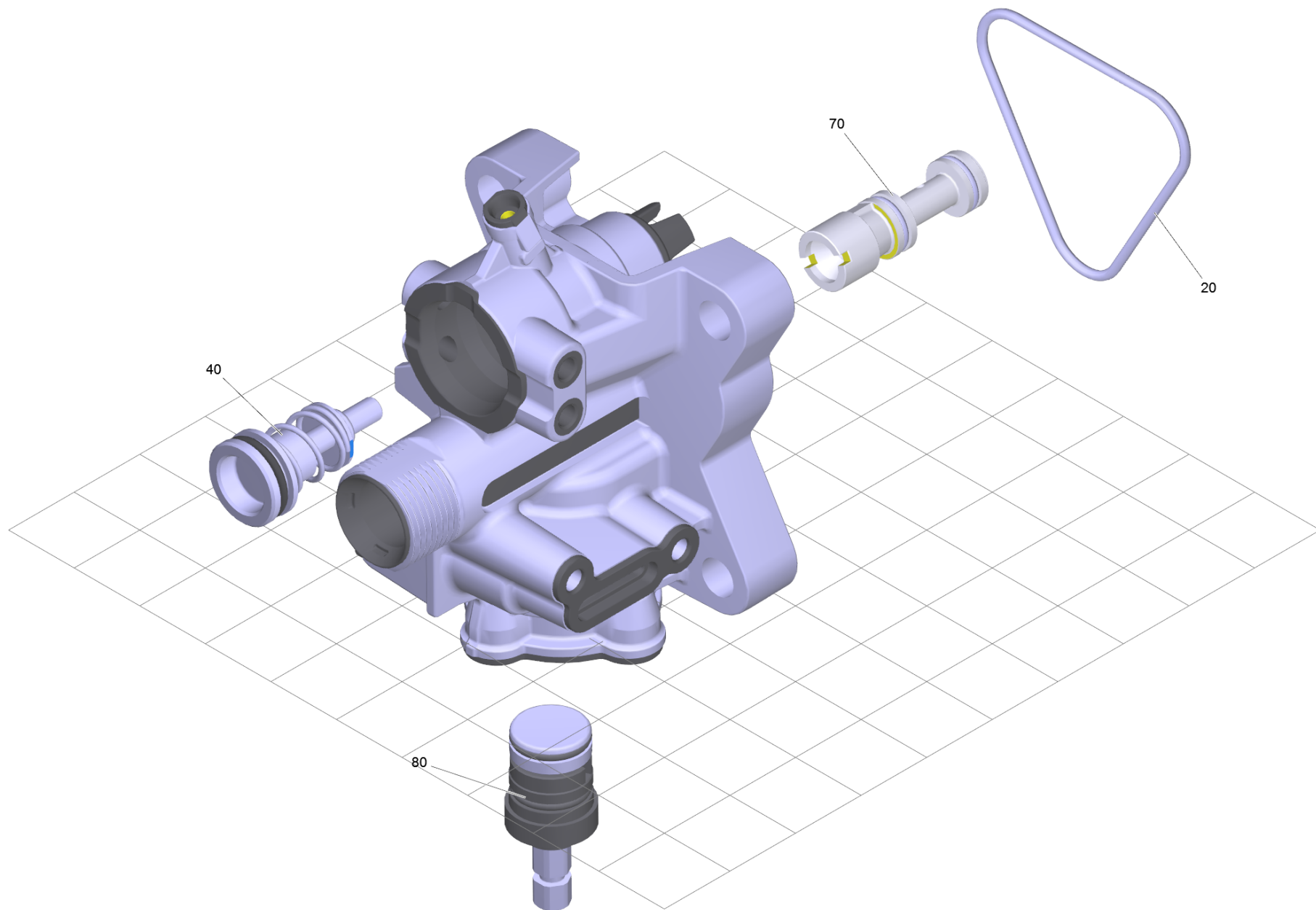
<b>POS</b>	<b>Article no.</b>	<b>Description</b>	<b>Quantity</b>	<b>Unit</b>
40	7.401-128.0	Ball bearing 6202-2RS -Wälzl.St DIN 625	1.000	ST
50	7.401-136.0	Ball bearing 6303 St DIN 625 17x47x14	1.000	ST
60	7.306-092.0	Screw M6x20-ST- 8.8-R3R (IN6RD)	4.000	ST
70	9.080-503.0	O-ring d.113,0x3.0 EPDM 70	1.000	ST
80	9.080-504.0	O-Ring seal 124x3 EPDM 70	2.000	ST
90	9.080-505.0	O-Ring seal 142.2x3 EPDM 70	1.000	ST
100	9.078-021.0	Grooved ring 17x35x5	1.000	ST



## 170 Pump complete Alu FC Plus

---

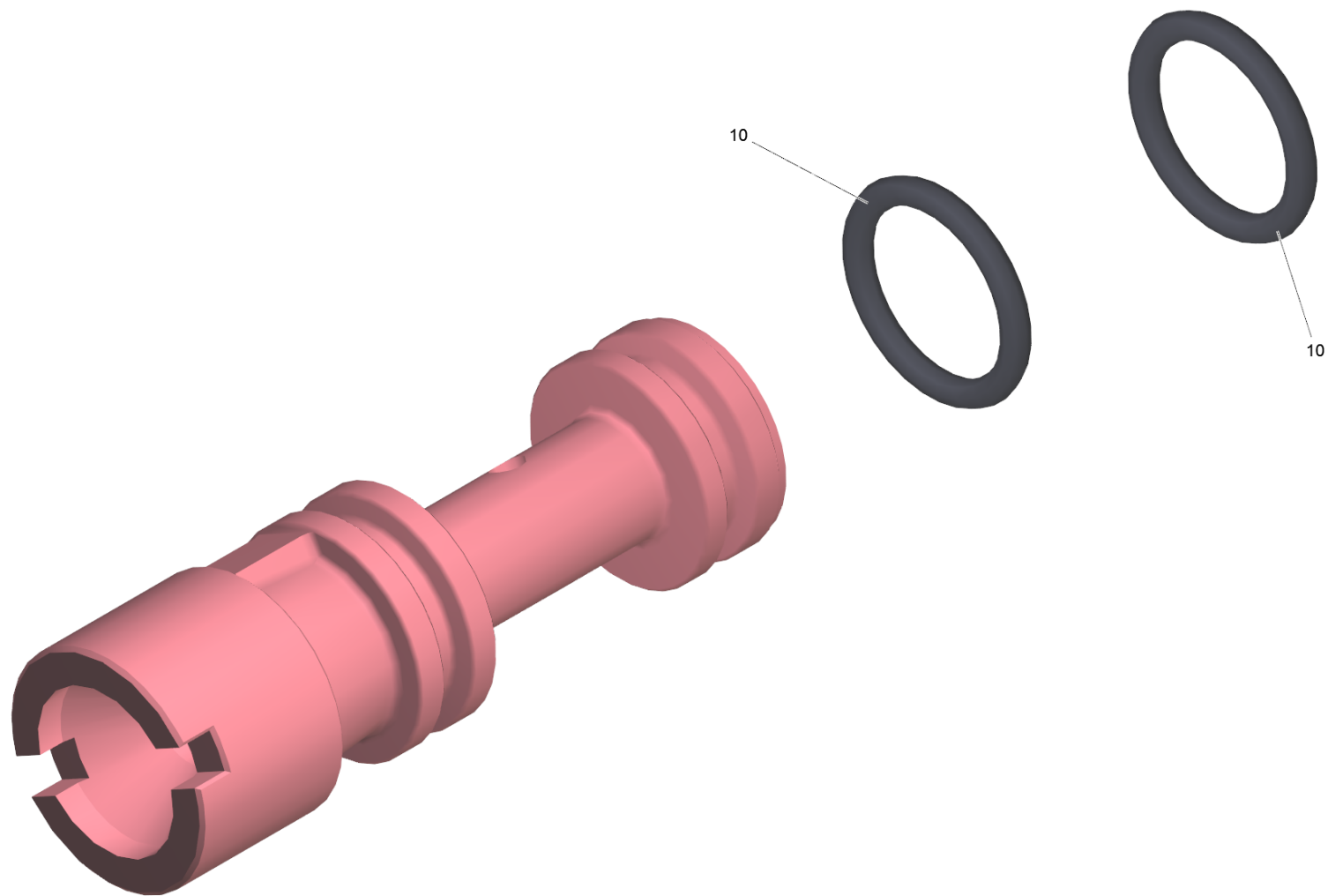
<b>POS</b>	<b>Article no.</b>	<b>Description</b>	<b>Quantity</b>	<b>Unit</b>
10	9.002-463.0	Spare part set control head	1.000	ST
11	9.002-464.0	Spare parts set chemistry	1.000	ST
12	4.584-022.0	Valve pin complete	1.000	ST
20	9.002-456.0	Pump head Alu FC ric	1.000	ST
30	9.013-346.0	Manifold fitting K5 FC kpl	1.000	ST
50	9.086-199.0	Screw M6x16	3.000	ST



10 Spare part set control head (9.002-463.0)

---

<b>POS</b>	<b>Article no.</b>	<b>Description</b>	<b>Quantity</b>	<b>Unit</b>
20	9.081-424.0	Form seal	1.000	ST
40	9.002-441.0	Pressure piston K5 FC	1.000	ST
70	9.002-466.0	Injector cleaning agents complete	1.000	ST
80	9.001-281.0	By-pass valve	1.000	ST



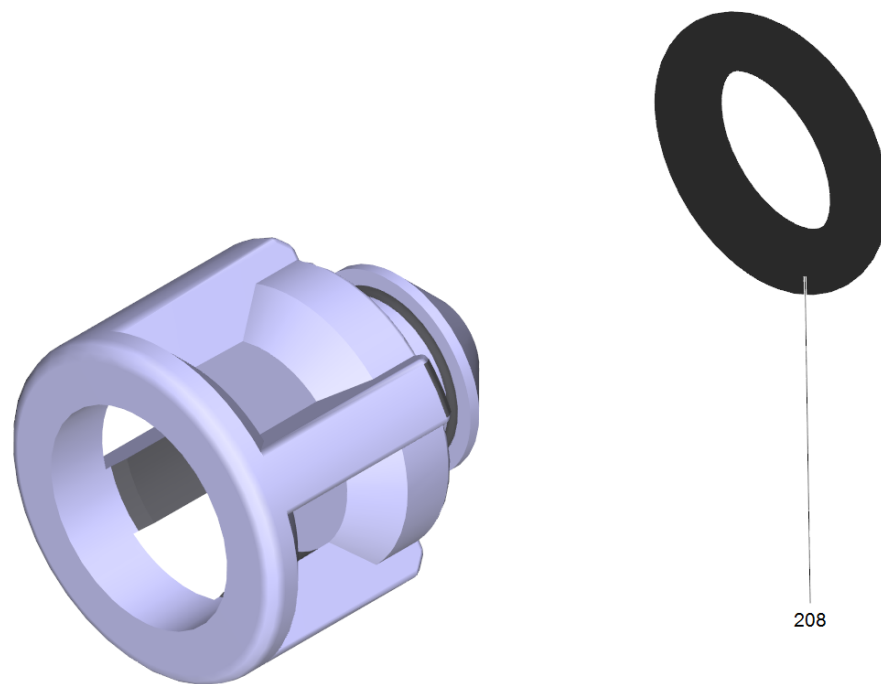


70 Injector cleaning agents complete (9.002-466.0)

---

<b>POS</b>	<b>Article no.</b>	<b>Description</b>	<b>Quantity</b>	<b>Unit</b>
10	9.080-472.0	O-ring 9 x 1,5 NBR 70	2.000	ST

---

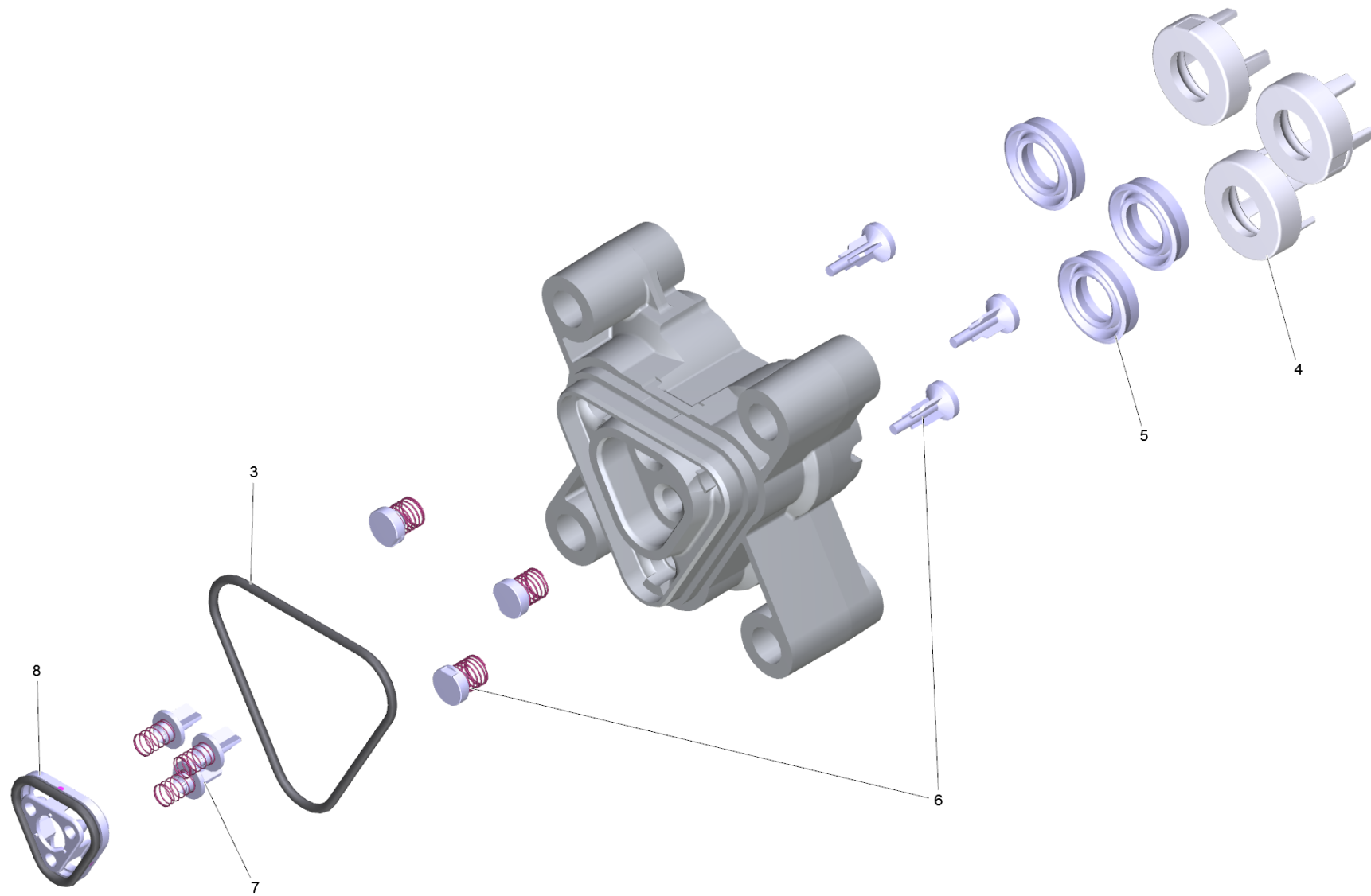


208

12 Valve pin complete (4.584-022.0)

---

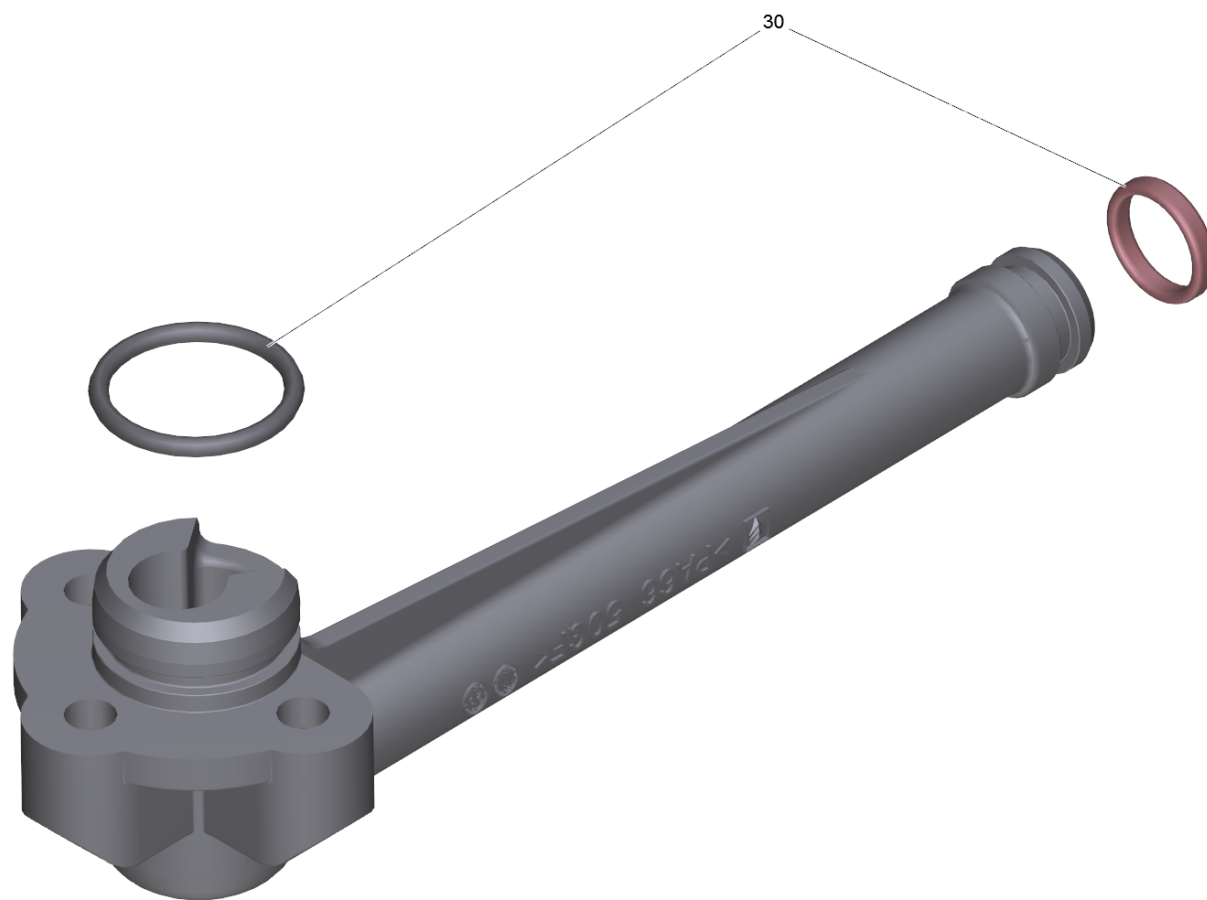
POS	Article no.	Description	Quantity	Unit
208	6.363-613.0	O-Ring seal 4 x 2 -NBR90	1.000	ST



## 20 Pump head Alu FC ric (9.002-456.0)

---

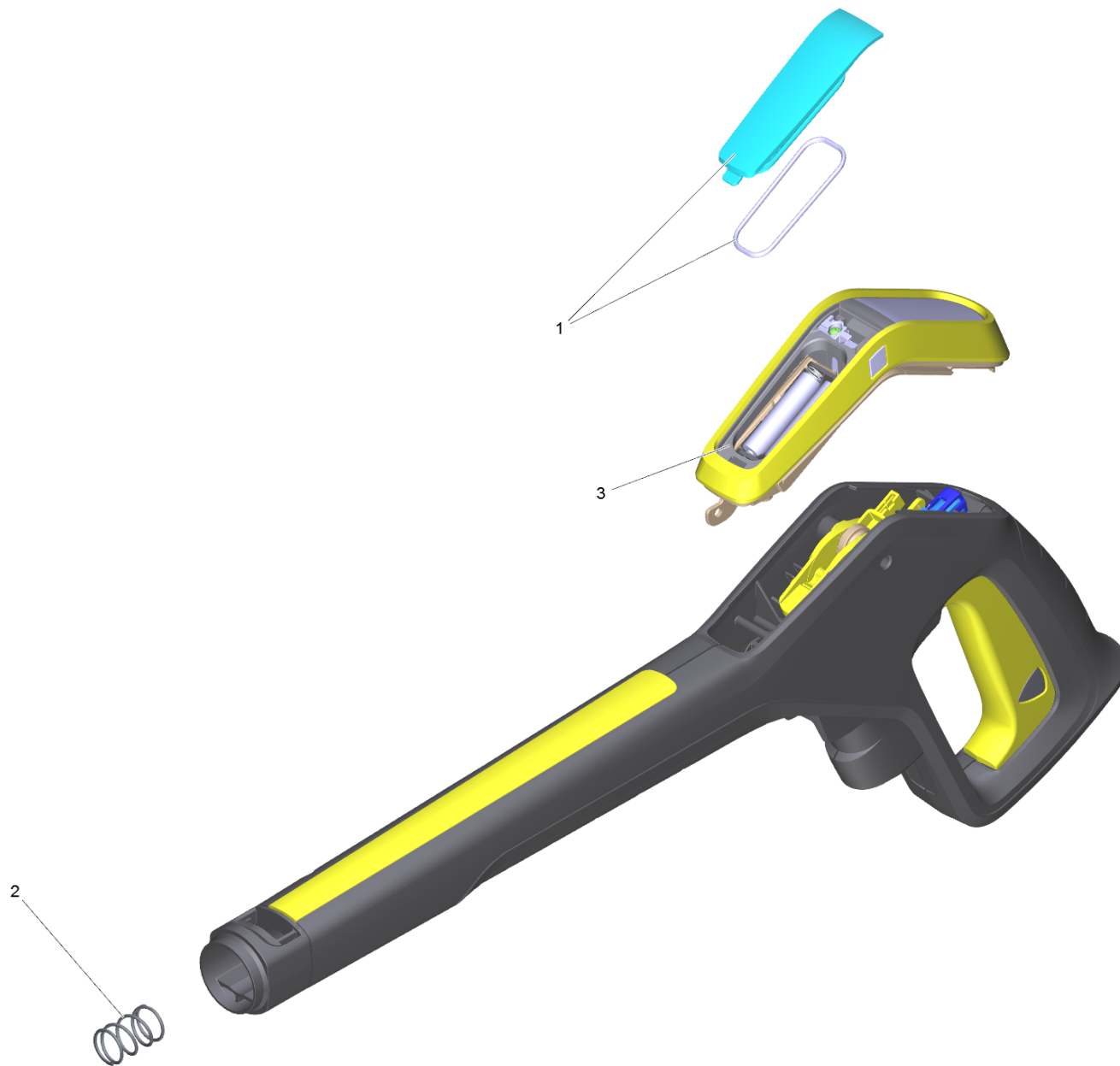
<b>POS</b>	<b>Article no.</b>	<b>Description</b>	<b>Quantity</b>	<b>Unit</b>
3	9.081-424.0	Form seal	1.000	ST
4	9.038-428.0	Supportring 6,7 mm	3.000	ST
5	6.362-875.0	Grooved ring	3.000	ST
6	9.001-110.0	Moulded part complete	1.000	ST
7	9.001-275.0	Valve set	1.000	ST
8	9.001-276.0	Joining piece	1.000	ST



30 Manifold fitting K5 FC kpl (9.013-346.0)

---

POS	Article no.	Description	Quantity	Unit
30	9.002-444.0	kIT O-ring Manifold fitting pump K5 FC	1.000	ST

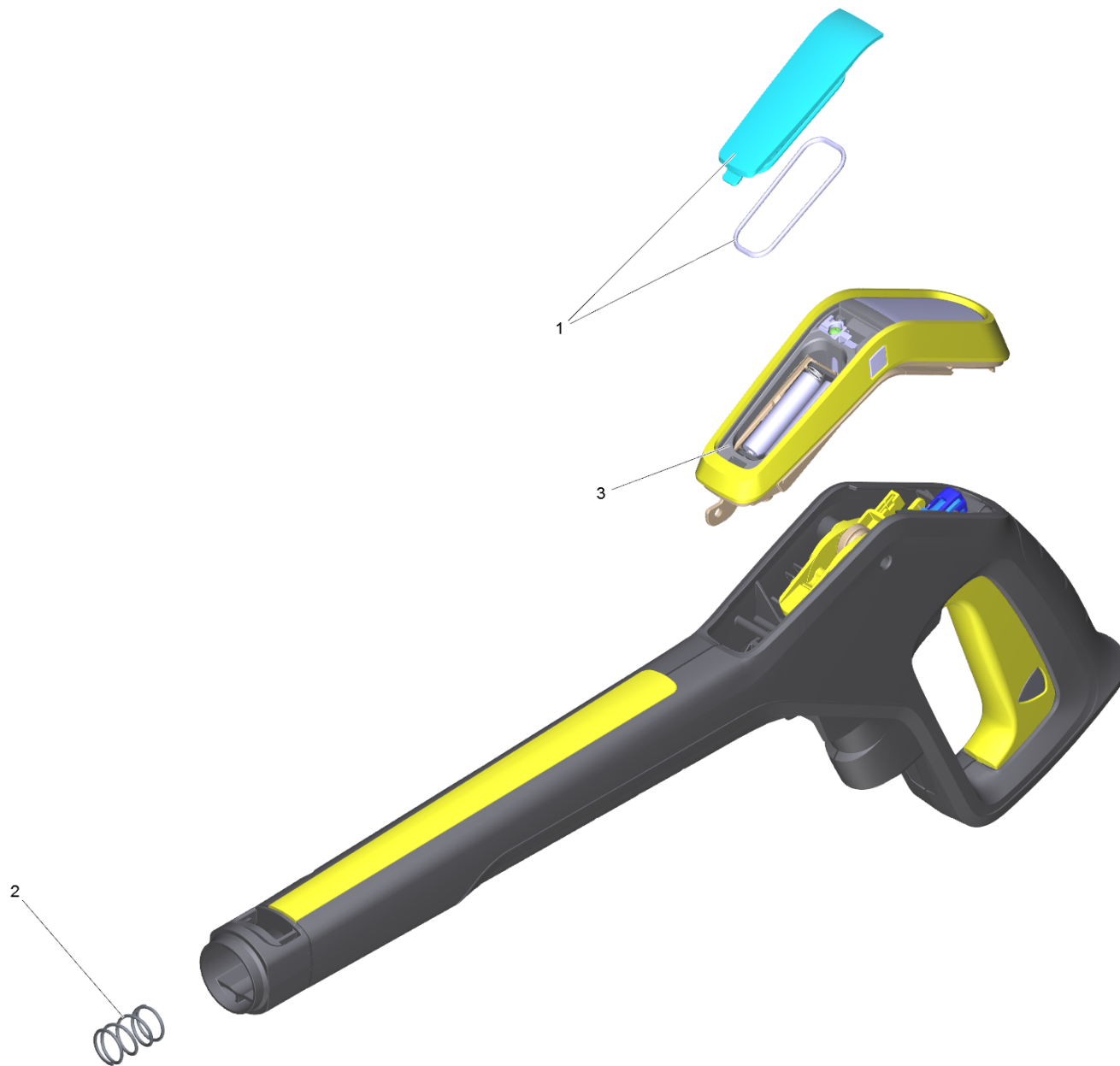




## 10 G 180 Q Full Control Plus Pistole (2.643-992.0)

---

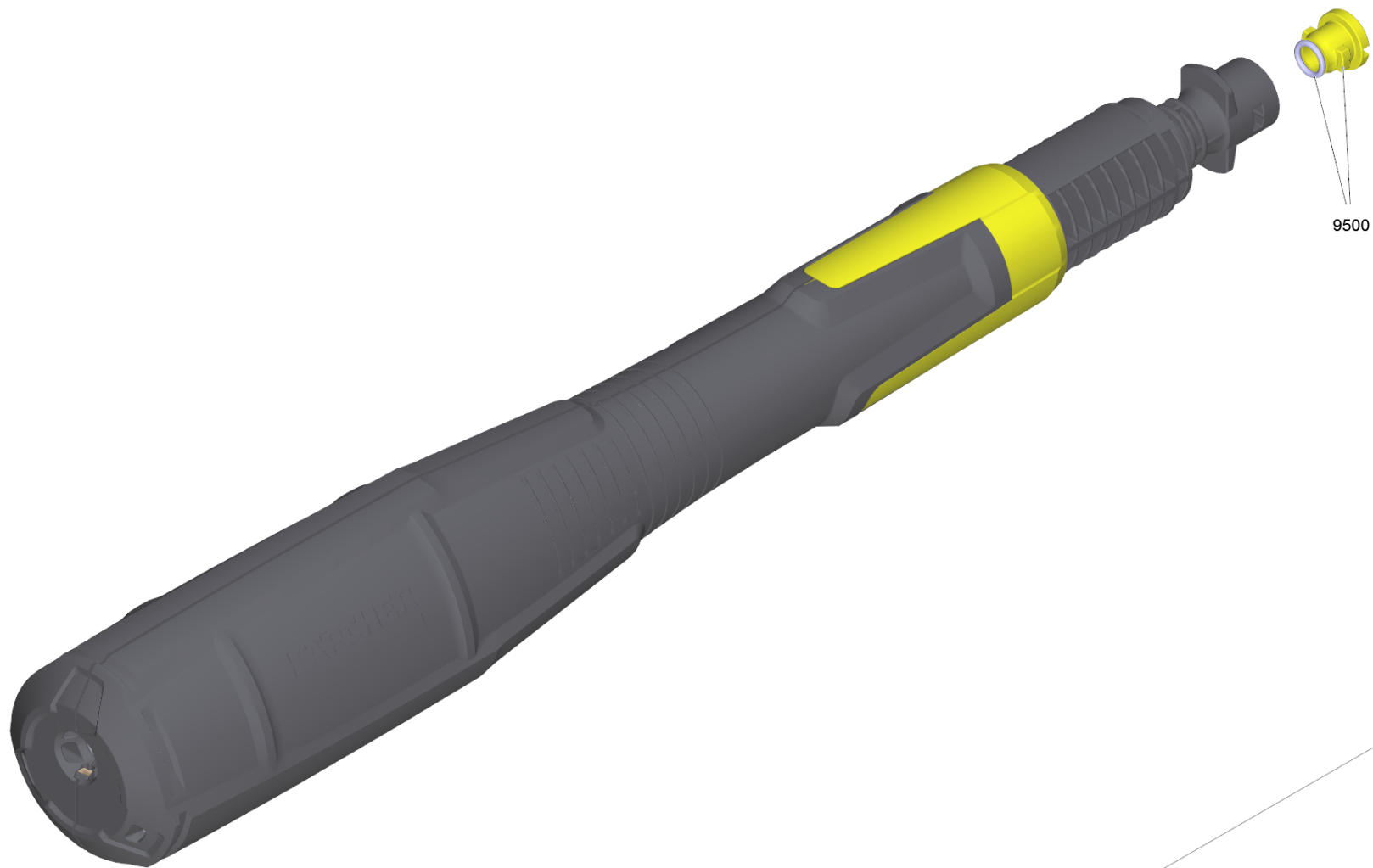
<b>POS</b>	<b>Article no.</b>	<b>Description</b>	<b>Quantity</b>	<b>Unit</b>
1	2.885-476.0	Spare part set cover battery G 160 Q Ful	1.000	ST
2	5.332-464.0	Pressure spring	1.000	ST
3	4.762-579.3	Electrical box pistol G180 Q FC *EU	1.000	ST



10 G 180 Q Full Control Plus Pistole (2.643-992.0)

---

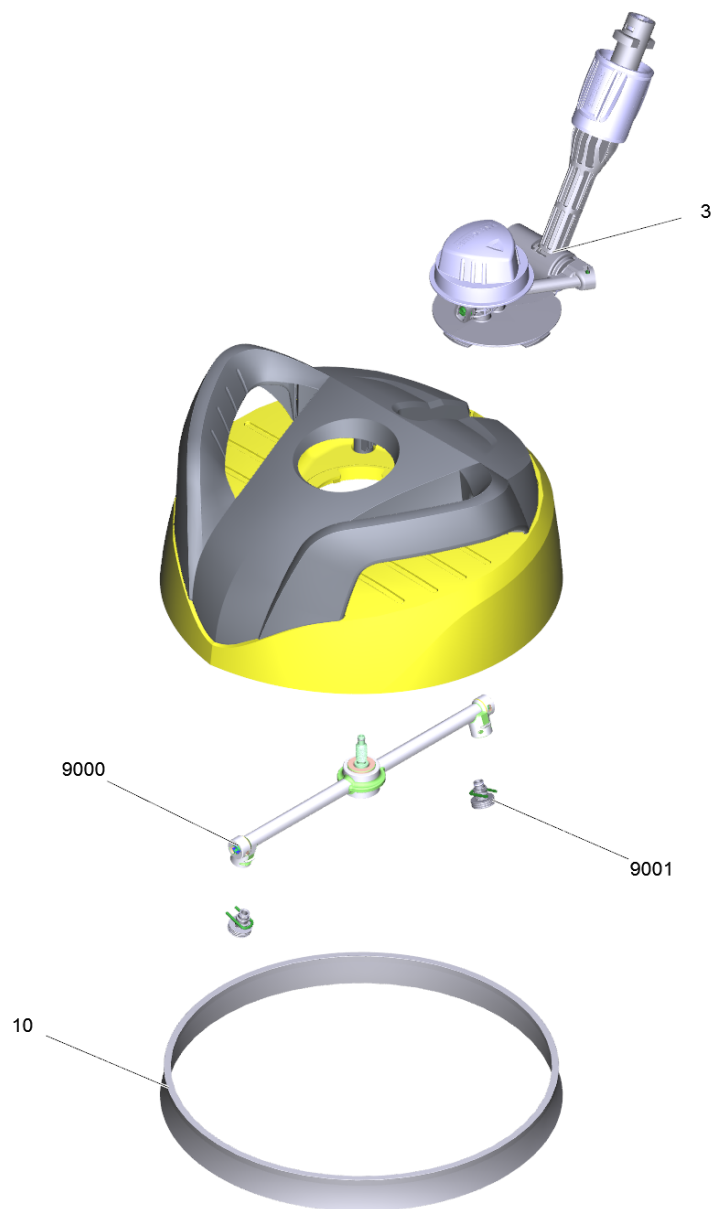
<b>POS</b>	<b>Article no.</b>	<b>Description</b>	<b>Quantity</b>	<b>Unit</b>
1	2.885-476.0	Spare part set cover battery G 160 Q Ful	1.000	ST
2	5.332-464.0	Pressure spring	1.000	ST
3	4.762-579.3	Electrical box pistol G180 Q FC *EU	1.000	ST



11 MJ 145 3-in-1 Multi Jet Full Control (2.643-906.0)

---

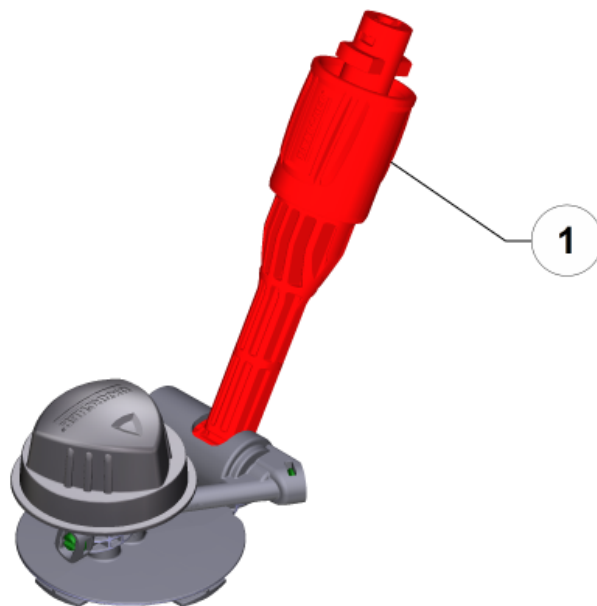
<b>POS</b>	<b>Article no.</b>	<b>Description</b>	<b>Quantity</b>	<b>Unit</b>
9500	2.640-729.0	O-Ring seal set	1.000	ST



17 Spare part set T 350 GBL, grau (2.885-479.0)

---

<b>POS</b>	<b>Article no.</b>	<b>Description</b>	<b>Quantity</b>	<b>Unit</b>
3		Bearing support kpl.	1.000	ST
10	6.371-086.0	Strip brush	1.000	ST
9000	2.885-407.0	Spare part set rotor complete	1.000	ST
9001	2.885-105.0	Spare part set nozzles 015	1.000	ST

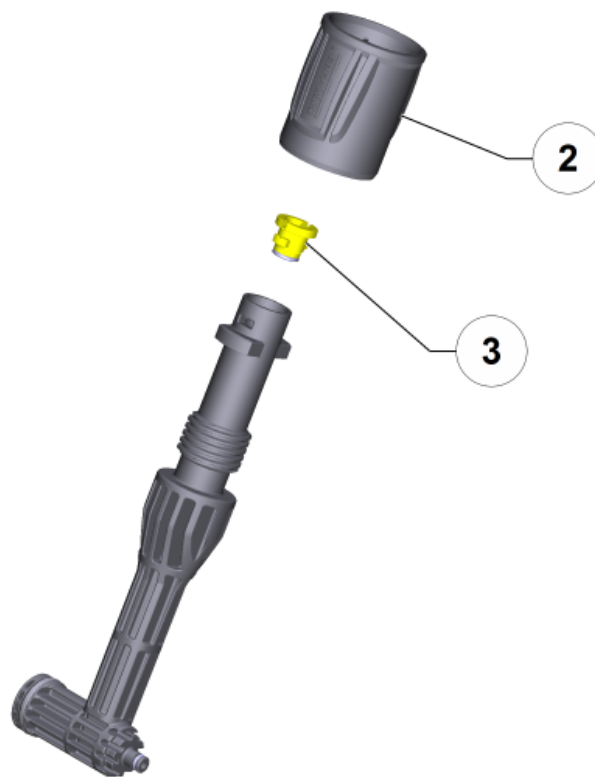




3 Bearing support kpl.

---

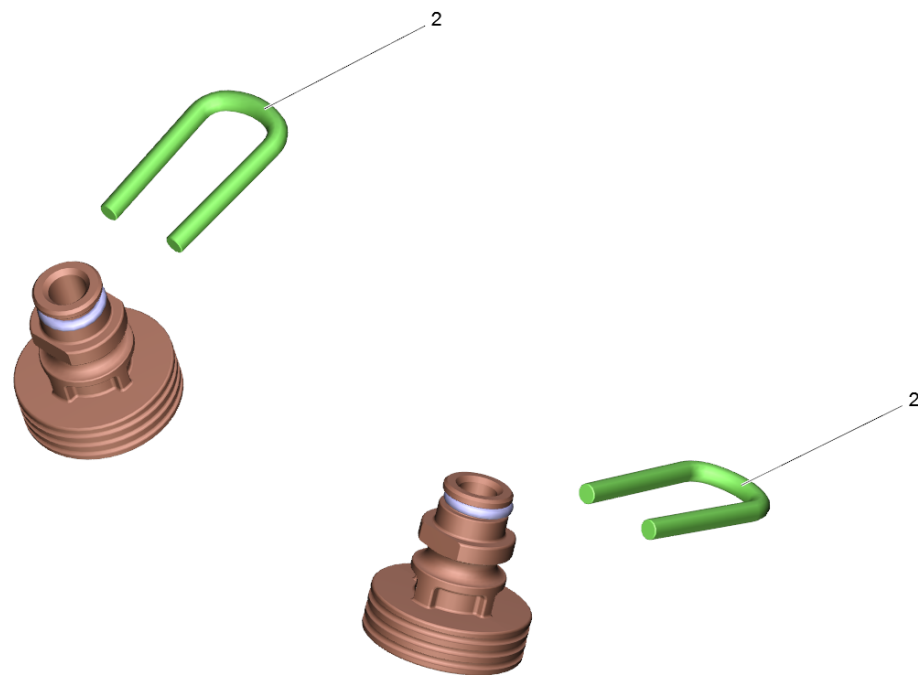
POS	Description	Quantity	Unit
1	Adapter complete	1.000	ST



## 1 Adapter complete

---

<b>POS</b>	<b>Article no.</b>	<b>Description</b>	<b>Quantity</b>	<b>Unit</b>
2	5.310-160.0	Nut Kaercher	1.000	ST
3	2.640-729.0	O-Ring seal set	1.000	ST



9001 Spare part set nozzles 015 (2.885-105.0)

---

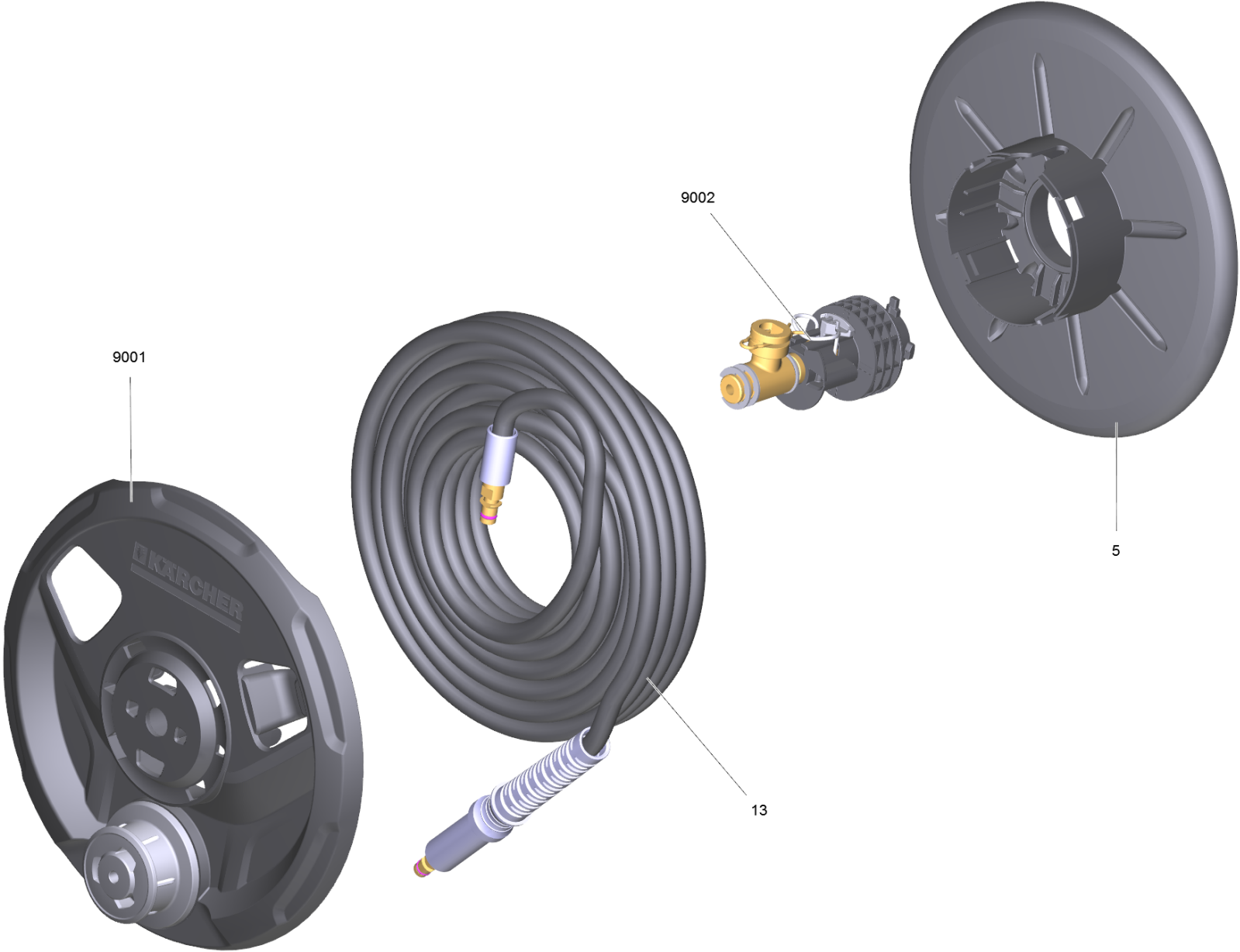
<b>POS</b>	<b>Article no.</b>	<b>Description</b>	<b>Quantity</b>	<b>Unit</b>
2	5.037-151.0	Clamp	2.000	ST



18 Single-step jet pipe extension (2.643-240.0)

---

<b>POS</b>	<b>Article no.</b>	<b>Description</b>	<b>Quantity</b>	<b>Unit</b>
3	2.640-729.0	O-Ring seal set	1.000	ST
8	5.332-464.0	Pressure spring	1.000	ST
10	5.310-160.0	Nut Kaercher	1.000	ST





## 120 Hose reel complete K4 FC Quick Connect

---

<b>POS</b>	<b>Article no.</b>	<b>Description</b>	<b>Quantity</b>	<b>Unit</b>
5	9.038-492.0	Hose reel FC internal disk	1.000	ST
13	6.391-794.0	High pressure hose 16MPa/9 60°C QC B	1.000	ST
9001	9.002-439.0	Kit handle+ hose reel external disk	1.000	ST
9002	9.002-440.0	Hose reel FC QC Bayonet complete	1.000	ST

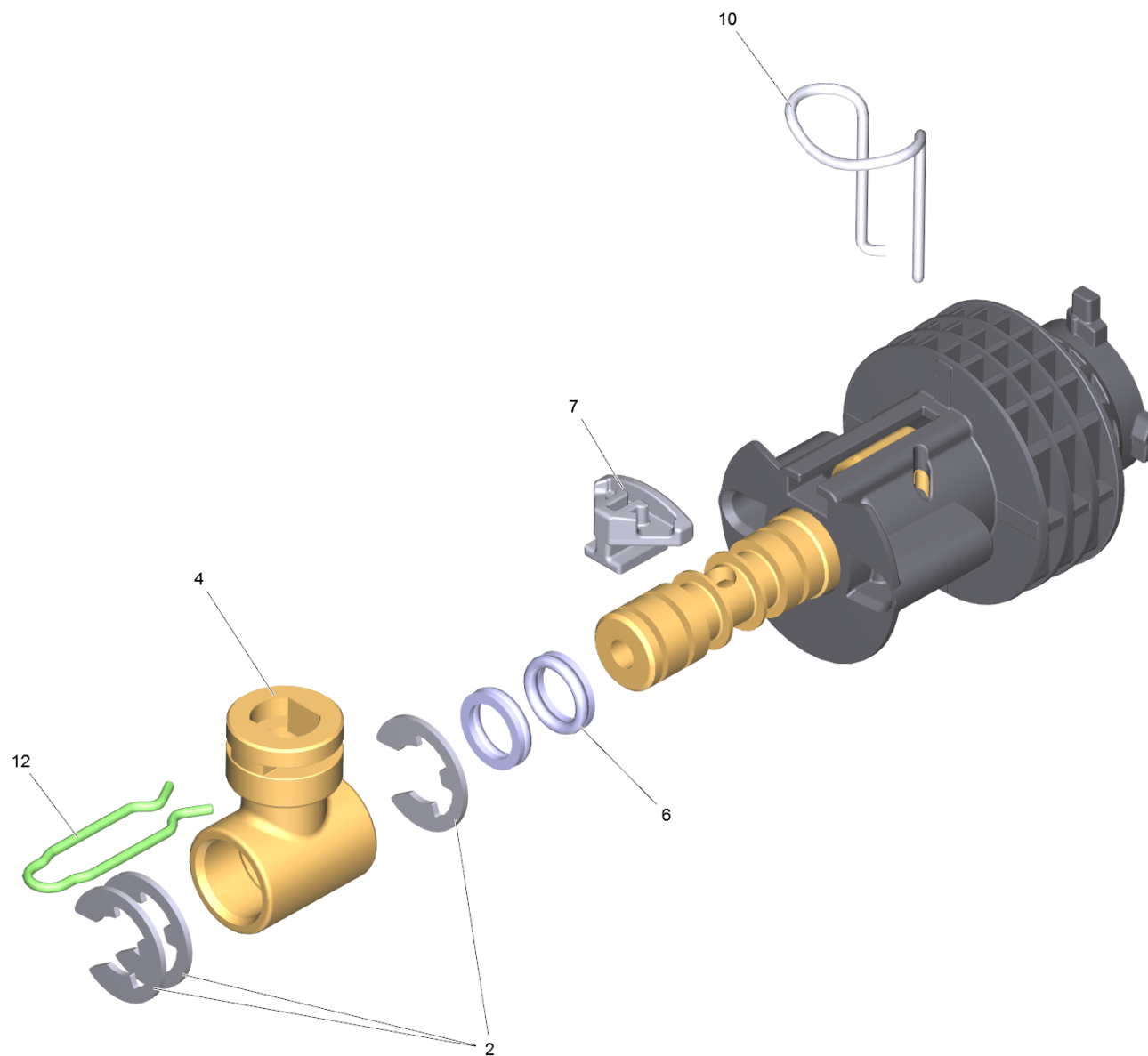


13 High pressure hose 16MPa/9 60°C QC B (6.391-794.0)

---

<b>POS</b>	<b>Article no.</b>	<b>Description</b>	<b>Quantity</b>	<b>Unit</b>
999	2.640-729.0	O-Ring seal set	1.000	ST

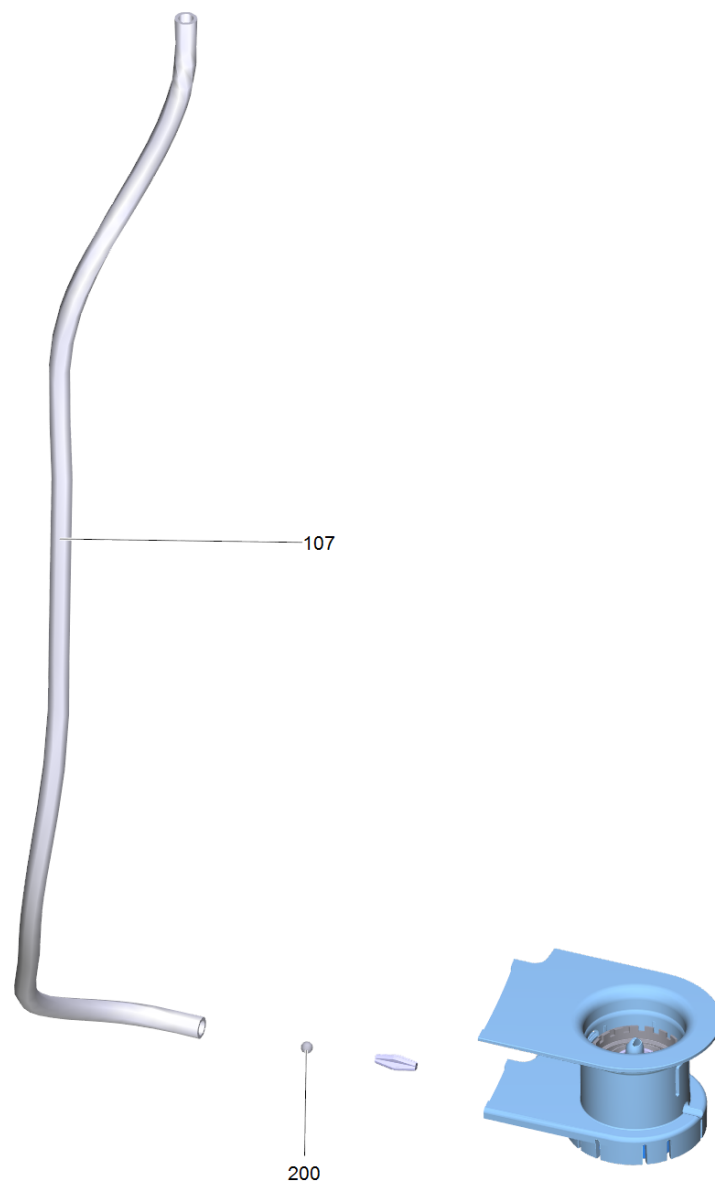
---



9002 Hose reel FC QC Bayonet complete (9.002-440.0)

---

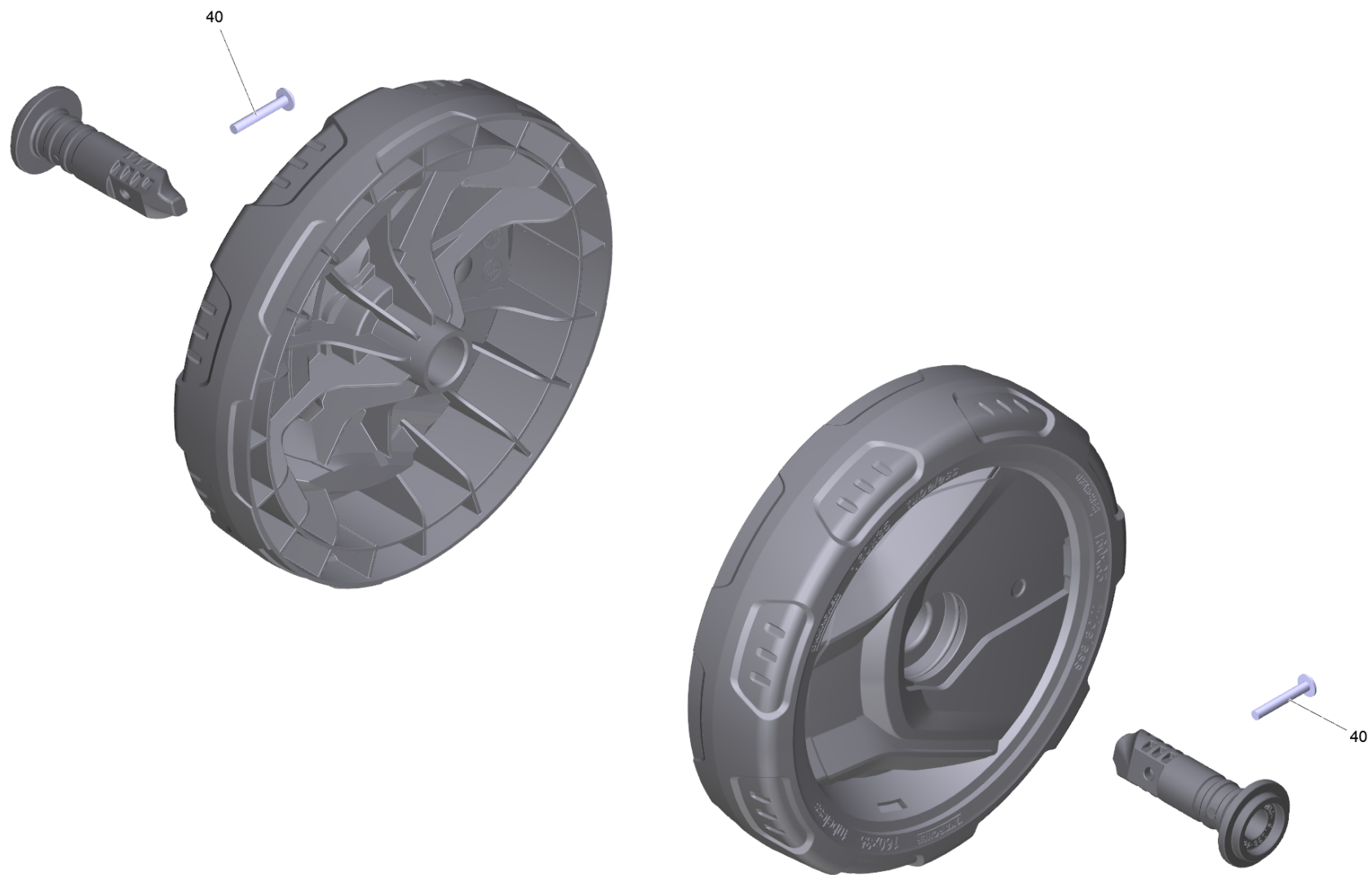
POS	Article no.	Description	Quantity	Unit
2	7.343-306.0	Lock washer 12-St-A2E DIN 6799	3.000	ST
4	5.401-308.0	Rotary bushing	1.000	ST
6	6.363-628.0	O-Ring seal complete	1.000	ST
7	9.038-470.0	Hose reel FC QC Button	1.000	ST
10	9.047-117.0	Hose reel QC Clamp soft	1.000	ST
12	5.059-401.0	Clamp	1.000	ST



123 Docking station complete FC (9.002-481.0)

---

<b>POS</b>	<b>Article no.</b>	<b>Description</b>	<b>Quantity</b>	<b>Unit</b>	<b>Foot note text</b>
107	6.391-336.0	Hose	0.155	M	TO ORDER AS CUT GOODS
200	7.401-911.0	Sphere 4 -PP DIN 5401	1.000	ST	



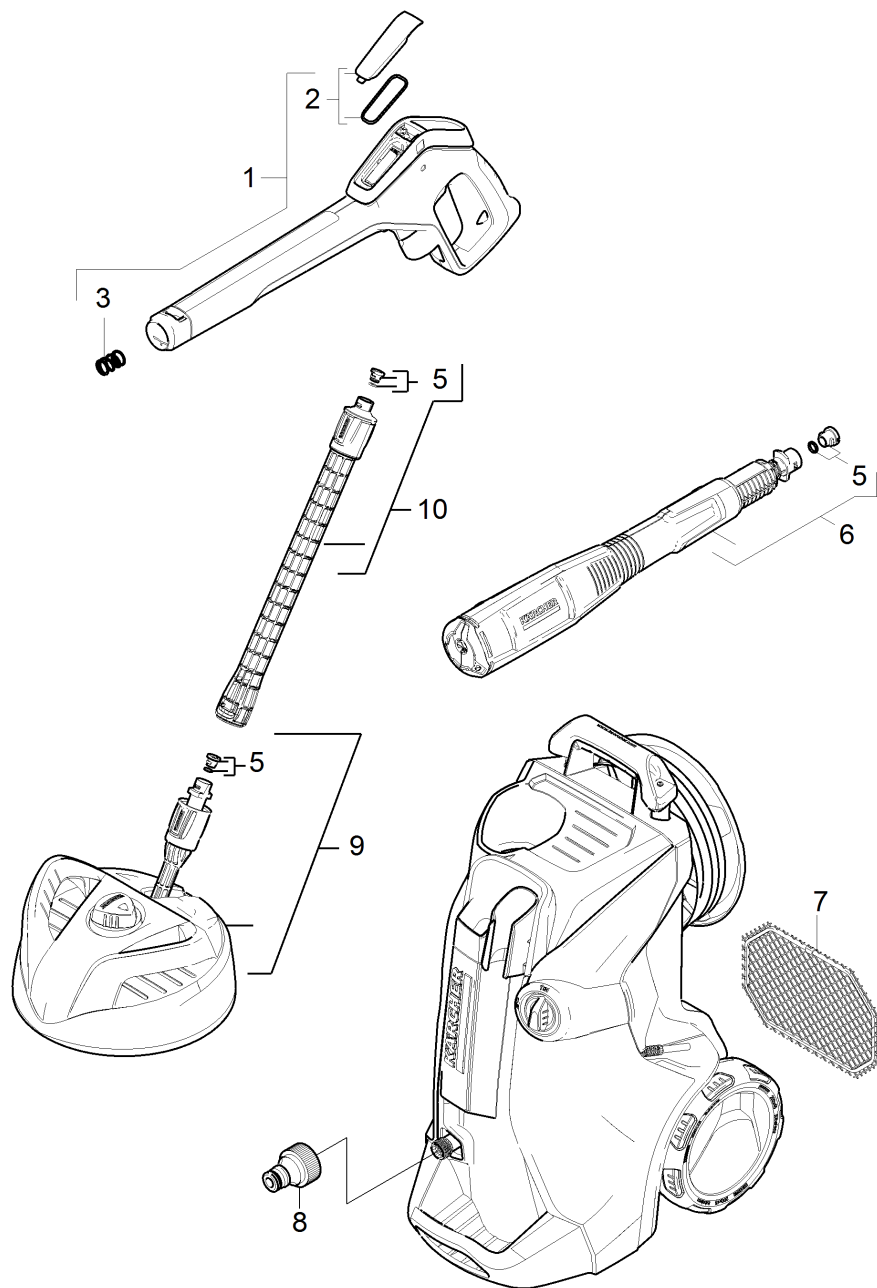


131 Wheel in pairs FC 1K D160 (9.002-438.0)

---

<b>POS</b>	<b>Article no.</b>	<b>Description</b>	<b>Quantity</b>	<b>Unit</b>
40	9.086-221.0	Screw ATF 4.1x22	1.000	ST

---



## 220 Short spare parts list

---

<b>POS</b>	<b>Article no.</b>	<b>Description</b>	<b>Quantity</b>	<b>Unit</b>
1	2.643-992.0	G 180 Q Full Control Plus Pistole	1.000	ST
2	2.885-476.0	Spare part set cover battery G 160 Q Ful	1.000	ST
3	5.332-464.0	Pressure spring	1.000	ST
5	2.640-729.0	O-Ring seal set	1.000	ST
6	2.643-906.0	MJ 145 3-in-1 Multi Jet Full Control	1.000	ST
7	9.002-435.0	Accessory net	1.000	ST
8	6.465-031.0	Connection 3/4	1.000	ST
9	2.885-479.0	Spare part set T 350 GBL, grau	1.000	ST
10	2.643-240.0	Single-step jet pipe extension	1.000	ST