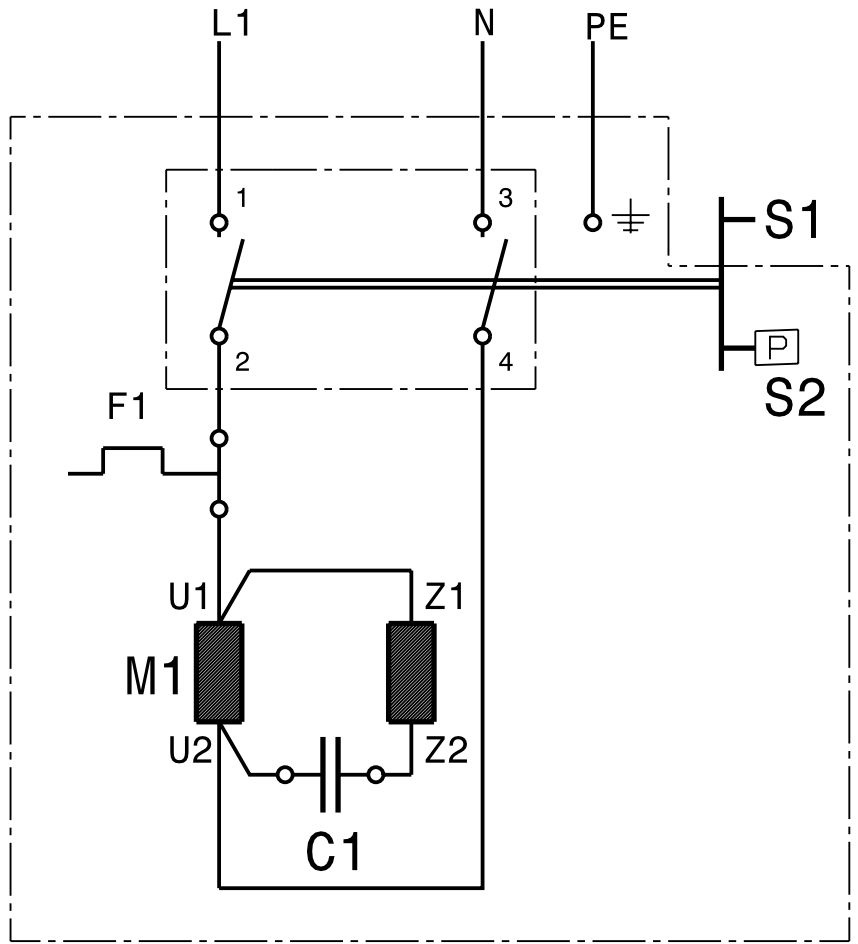
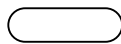


Compliance with the current version of Kärcher standard KÄN 050.032 "Constituent substances" (ban of lead, cadmium, etc.) must be guaranteed. Standard date format according to ISO 8601 (YYYY-MM-DD).
 The reproduction, distribution and utilization of this document as well as the communication of its contents to others without explicit authorization is prohibited. Offenders will be held liable for the payment of damages.
 All rights reserved in the event of the grant of a patent, utility model or design. Copyright © Alfred Kärcher GmbH & Co. KG

230V 1~ 50Hz
 240V 1~ 50Hz
 100V 1~ 50Hz
 100V 1~ 60Hz
 120V 1~ 60Hz

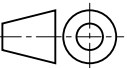



- M1 Motor/motor/moteur/motor
- C1 Betriebskondensator/capacitor/condensateur/
condensador de servicio
- S1 Geräteschalter/switch/interrupteur/interruptor
- S2 Druckschalter/pressure switch/interrupteur a pression/
prespstat
- F1 Thermokontakt/thermostat contact/thermo-contact/
termostático contacto



Maße werden besonders geprüft
especially checked dimensions

Erstmusterprüfung
first sample examination

Werkstoff material / substance		Allgemeintoleranzen general tolerances		Projection E  dimensions in mm		Oberfläche / surface EN ISO 1302		 0.087-970.0		
Halbzeug semi finished product		Tolerierung / toleration		Benennung / description SLP KAER 520 M Wiring diagram KAER 520 M		Material-Nr. / material no.				
Werkstoffbez. / mat. designation <input type="checkbox"/> geprüft Schweißstechn. / welding techn. <input type="checkbox"/> checked		document		number	type	version	status	scale	sheet	of
		SLP K 520/670M-MS		5166115	SLP	00	FR	1:1	1	1
Datum date	Gezeichnet drawn by	Geprüft checked by	Normgeprüft std. checked by	Änderung / Engineering change			Ersatz für / replaces			
				index	Anzahl / count	number	Datum / date	index		
2008-03-28	AW02881	AW02881	AW03274	d	1	2020587	1995-11-23	d		
4		3		2		1				