

Table of contents

30 PUZZI 400 *EU (1.101-201.0)	2
Spare parts list PUZZI 400 (5.958-479.0)	3
10 Appliance individual parts	4
11 Switch box	5
12 Tank individual parts	8
13 Appliance frame	11
14 Appliance frame	13
20 Dirt box	15
21 Suction cover	16
22 Waste water tank	18
30 Turbine	20
40 Suction hose	22
50 Working nozzle	24
60 Hand nozzle	26
1 Hand nozzle with cover (4.130-126.0)	28

30 PUZZI 400 *EU (1.101-201.0)

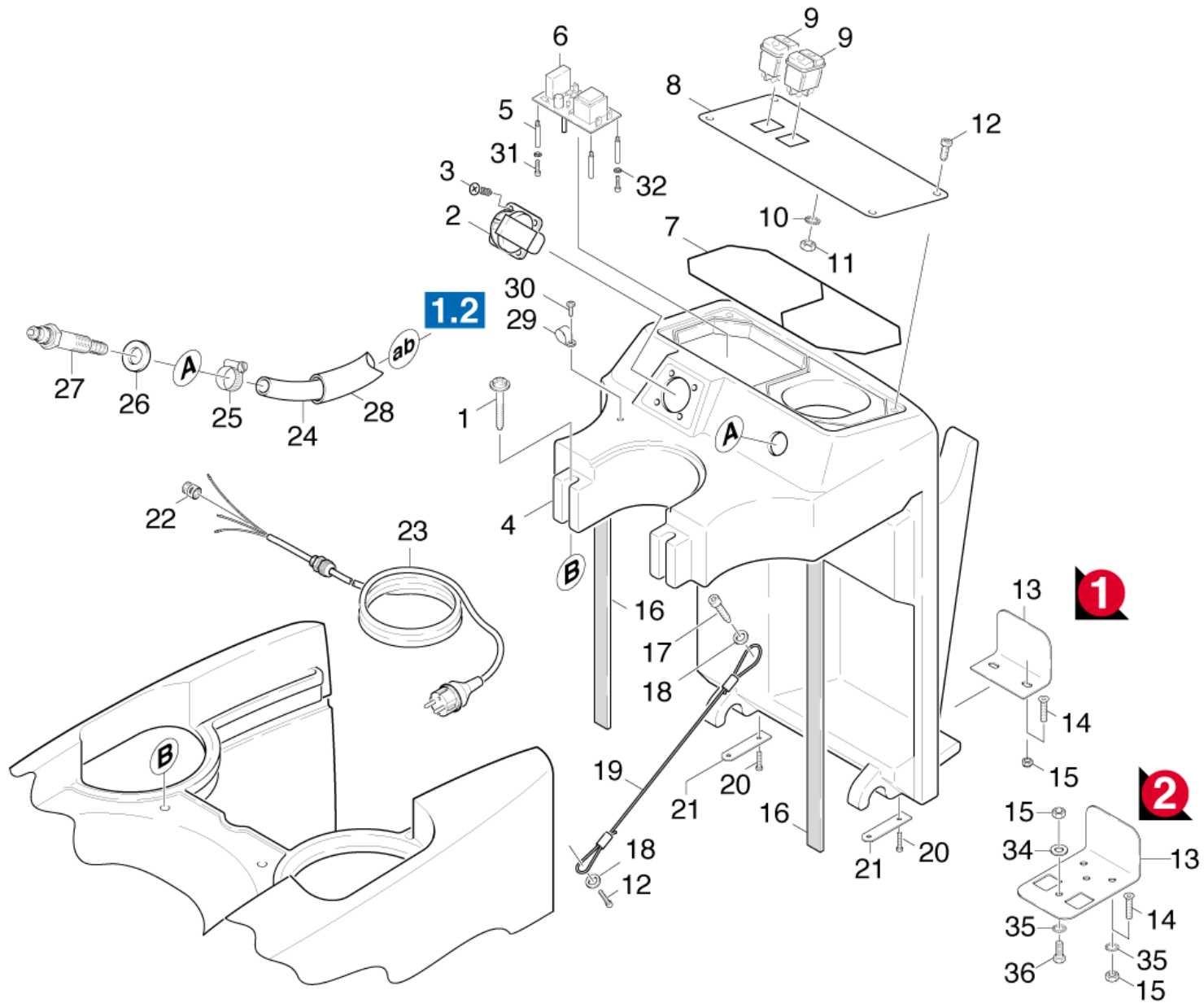
POS	Article no.	Description	Quantity	Unit
0	5.958-479.0	Spare parts list PUZZI 400	1.000	ST
	Item text2: 11012010			

Spare parts list PUZZI 400 (5.958-479.0)

POS	Description	Quantity	Unit
10	Appliance individual parts	1.000	ST
20	Dirt box	1.000	ST
30	Turbine	1.000	ST
40	Suction hose	1.000	ST
50	Working nozzle	1.000	ST
60	Hand nozzle	1.000	ST

10 Appliance individual parts

POS	Description	Quantity	Unit
11	Switch box	1.000	ST
12	Tank individual parts	1.000	ST
13	Appliance frame	1.000	ST
14	Appliance frame	1.000	ST

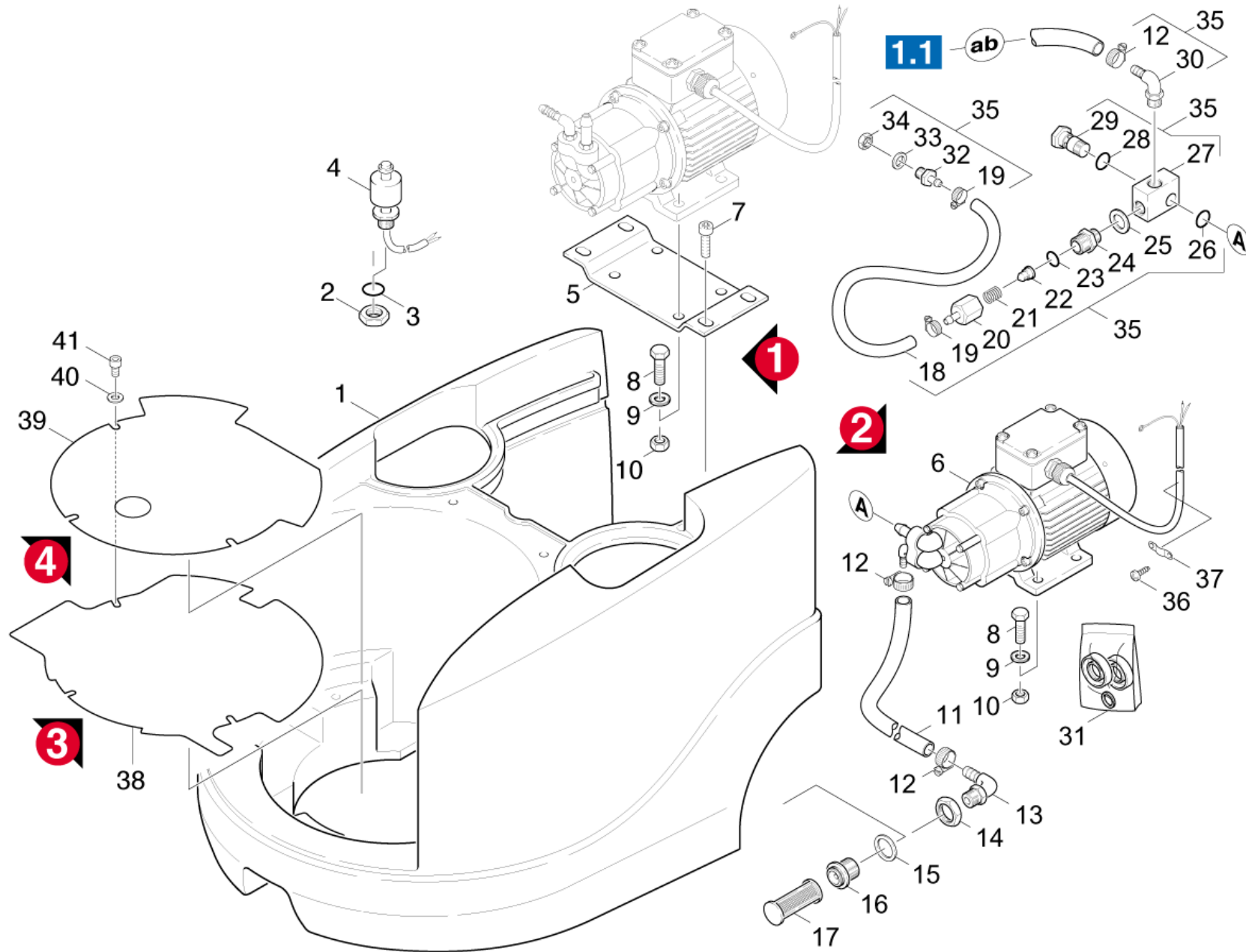


11 Switch box

POS	Article no.	Description	Quantity	Unit	Remark	Foot note text
1	6.304-117.0	Oval head screw M 6x65	2.000	ST		
2	6.646-054.0	Plug socket	1.000	ST		
		Item text1: / 1.101-201.0 / -202.0 / -203.0				
		Item text2: / -204.0				
3	7.303-125.0	Countersunk screw 4x16 -10.9-R2R (In6Rd)	4.000	ST		
		Item text1: / 1.101-201.0 / -202.0 / -203.0				
		Item text2: / -204.0				
4	5.811-126.0	Electric control box Puzzi 400 *USA	1.000	ST		
		Item text1: / 1.101-206.0				
4	5.811-120.0	Electric control box Puzzi 400	1.000	ST		
		Item text1: / 1.101-201.0 / -202.0 / -203.0				
		Item text2: / -204.0				
5	6.646-437.0	Distance pin	4.000	ST		
6	6.682-137.0	Electronics	1.000	ST		
		Item text1: / 1.101-206.0				
6	6.682-116.0	Electronics	1.000	ST		
		Item text1: / 1.101-201.0 / -202.0 / -203.0				
		Item text2: / -204.0				
7	6.365-443.0	Profile gasket	1.000	M		TO ORDER AS CUT GOODS
8	4.841-108.0	Control panel complete Puzzi 400	1.000	ST		
9	6.630-005.0	Switch 2-POLIG	2.000	ST		
10	7.312-230.0	Serrated lock washer A4,3-FSt-A3E DIN67	2.000	ST		
11	7.311-001.0	Hexagon nut M4 -6-A2E ISO 4032	1.000	ST		
12	7.306-071.0	Screw M5x10 -8.8-R2R (In6Rd)	5.000	ST		
13	5.007-031.0	Plate floor nozzle bracket	1.000	ST		
14	7.305-055.0	Countersunk screw M6x30-A2-70 (IN6RD)	2.000	ST		
15	7.311-067.0	Hexagon nut M 6-A2-70 ISO 4032	2.000	ST		
16	6.906-236.0	Seal	1.000	M		TO ORDER AS CUT GOODS
17	7.303-107.0	Screw 5x16 -10.9-P2R (K-In6Rd)	1.000	ST		
18	7.312-264.0	Washer 5-100HV-A3E ISO 7094	2.000	ST		
19	6.431-187.0	Rope	1.000	ST		

11 Switch box

POS	Article no.	Description	Quantity	Unit	Remark	Foot note text
20	7.303-129.0	Screw 4x16 -10.9-R2R (K-In6Rd)	4.000	ST	VERS. 1	
21	5.007-072.0	Plate	2.000	ST	VERS. 1	
22	6.648-592.0	Adapter P 9-M16x1,5-CuZn	1.000	ST		
23	6.648-590.0	Cable with plug *AU	1.000	ST		
	Item text1: / 1.101-203.0					
23	6.648-591.0	Power cable 15m PVC *GB	1.000	ST		
	Item text1: / 1.101-204.0					
23	6.648-588.0	Power cable 15m PVC *EU	1.000	ST		
	Item text1: / 1.101-201.0					
23	6.648-589.0	Cable with plug * CH	1.000	ST		
	Item text1: / 1.101-202.0					
23	6.648-352.0	Cable with plug *CND	1.000	ST		
	Item text1: / 1.101-206.0					
24	6.388-664.0	Hose DN10	1.000	M		TO ORDER AS CUT GOODS
25	7.373-019.0	Hose clip A 10-16x9-W4 DIN3017	1.000	ST		
26	7.312-059.0	Washer 14-A2 ISO 7090	1.000	ST		
27	5.409-297.0	Nipple	1.000	ST		
28	6.642-065.0	Protection hose	1.000	M		TO ORDER AS CUT GOODS
29	6.641-478.0	Clamp 22,0	1.000	ST		
30	7.303-095.0	Screw 4x 12-ST-10.9-R2R (IN6RD)	1.000	ST		
31	7.306-078.0	Screw M5x20 -8.8-R2R (In6Rd)	2.000	ST		
32	7.312-001.0	Washer 4 -200HV-A3E ISO 7089	2.000	ST		
34	7.312-260.0	Washer 6 -100HV-A3E ISO 7094	1.000	ST	VERS. 2	
35	7.312-167.0	Toothed lock washer A6,4-FSt-A3E DIN 67	3.000	ST	VERS. 2	
36	7.304-521.0	Hexagonal head screw M 6x16-A4-70 ISO 4	1.000	ST	VERS. 2	

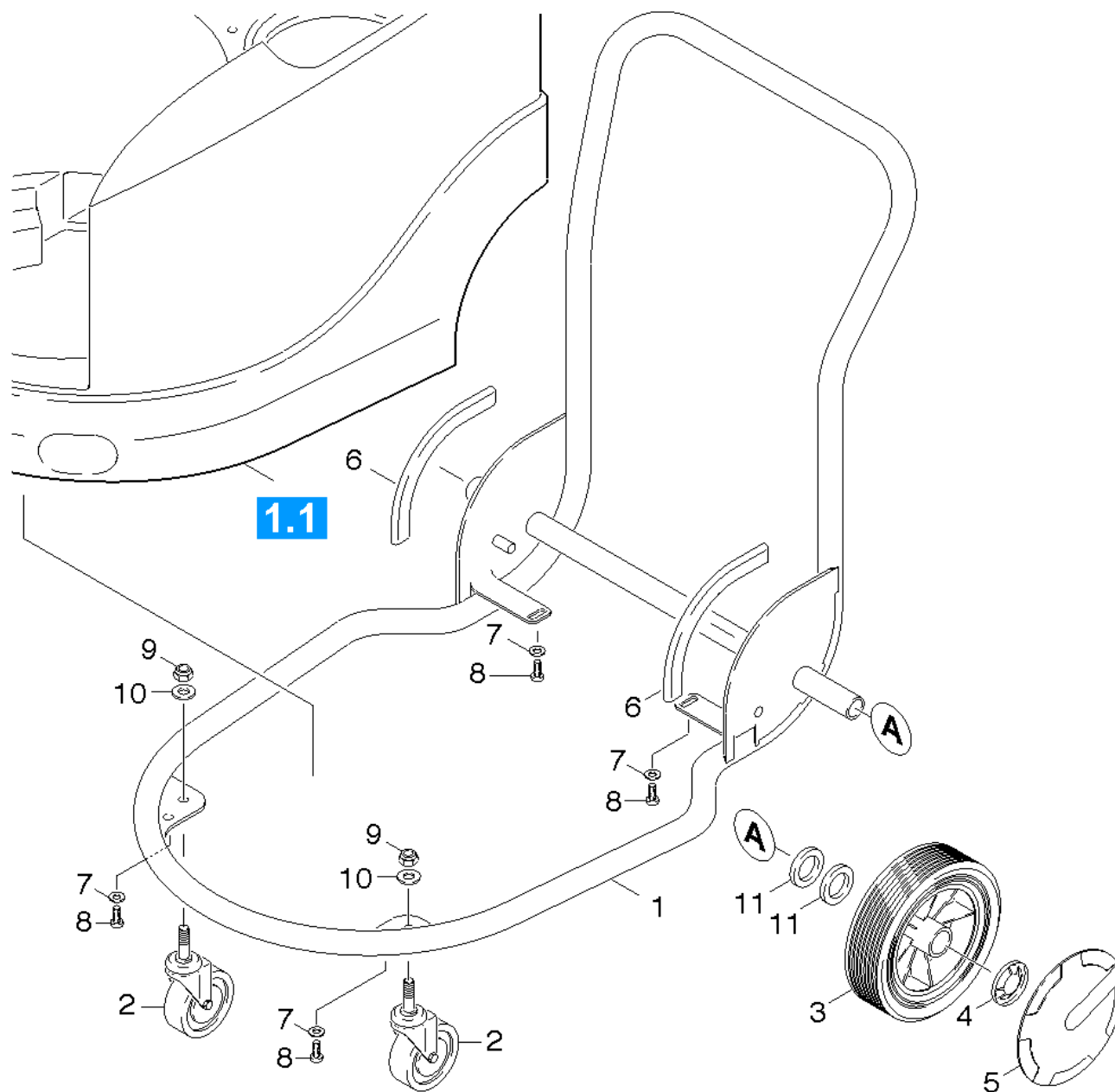


12 Tank individual parts

POS	Article no.	Description	Quantity	Unit	Remark	Foot note text
1	5.071-124.0	Tank	1.000	ST		
2	6.386-208.0	Locknut P4- 1/4"-RG5	1.000	ST		
3	6.472-186.0	O-Ring seal 12,0 X 2,5	1.000	ST		
4	6.630-139.0	Float regulator	1.000	ST		
5	7.777-999.0	Stockpiling discontinued	1.000	ST	VERS. 1	
6	6.473-406.0	Centrifugal pump	1.000	ST		
	Item text1: / 1.101-201.0 / -202.0					
6	6.473-419.0	Centrifugal pump SPECK 240V/50HZ	1.000	ST		
	Item text1: / 1.101-203.0 / -204.0					
6	6.473-418.0	Centrifugal pump SPECK 120V/60HZ	1.000	ST		
	Item text1: / 1.101-206.0					
7	7.306-089.0	Screw M6x12 -8.8-R2R (In6Rd)	4.000	ST	VERS. 1	
8	7.306-090.0	Screw M6x16 -8.8-P2R (In6Rd)	4.000	ST		
9	7.312-003.0	Washer 6 -200HV-A3E ISO 7089	4.000	ST		
10	7.311-003.0	Hexagon nut M6 -8-A2E ISO 4032	4.000	ST		
11	6.388-664.0	Hose DN10	1.000	M		TO ORDER AS CUT GOODS
12	7.373-019.0	Hose clip A 10-16x9-W4 DIN3017	4.000	ST		
13	6.388-496.0	Angle bushing	1.000	ST		
14	5.031-940.0	Hexagon nut	1.000	ST		
15	6.363-250.0	Joint ring 32x44	1.000	ST		
16	5.409-285.0	Connection piece fresh water	1.000	ST		
17	5.414-002.0	Wire basket fresh water	1.000	ST		
18	6.388-326.0	Hose DN 6	1.000	M		TO ORDER AS CUT GOODS
19	6.390-257.0	Hose clip	2.000	ST		
20	5.443-344.0	Hose stem	1.000	ST		
21	5.332-244.0	Helical spring	1.000	ST		
22	5.580-030.0	Body valve	1.000	ST		
23	6.362-533.0	O-Ring seal 14,0 X 1,5-NBR 70	1.000	ST		
24	5.583-171.0	Valve screw	1.000	ST		
25	5.115-465.0	Washer	1.000	ST		
26	6.362-481.0	O-Ring seal 14,0 x 2,0 NBR 80	1.000	ST		
27	5.405-146.0	Distributor ventilation	1.000	ST		
28	6.362-151.0	O-Ring d. 10 x 2 NBR 70	1.000	ST		

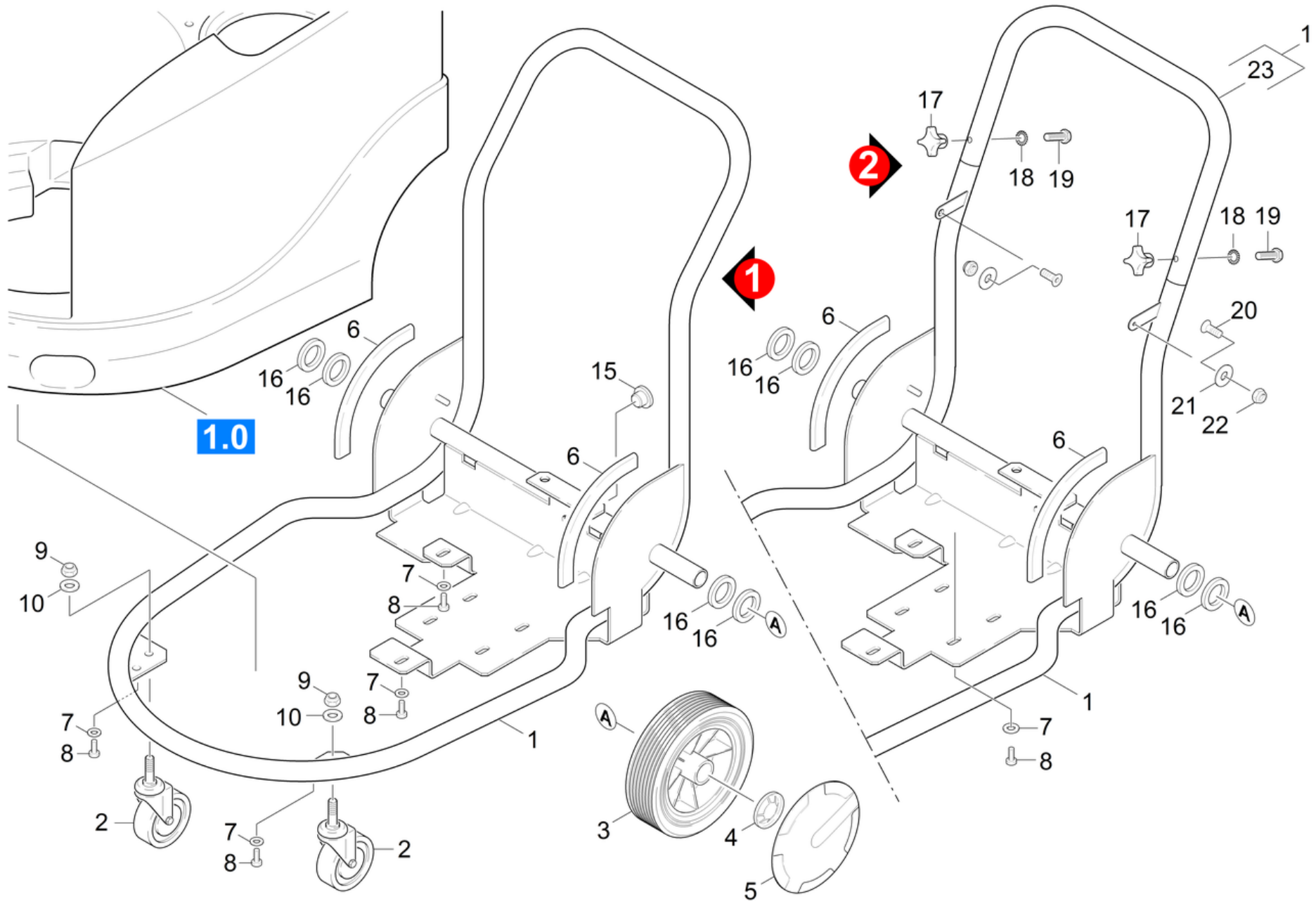
12 Tank individual parts

POS	Article no.	Description	Quantity	Unit	Remark	Foot note text
29	5.404-083.0	Hollow screw	1.000	ST		
30	6.388-663.0	Angle bushing R 1/4"	1.000	ST		
31	6.437-544.0	SEALING SET	1.000	ST		
	Item text1: / 1.101-201.0 / -202.0					
32	5.443-480.0	Nipple	1.000	ST		
33	5.363-387.0	Joint ring probe	1.000	ST		
34	7.311-009.0	Hexagon nut B G 1/8"-CU2 DIN 431	1.000	ST		
35	4.540-085.0	Add-on kit ventilation	1.000	ST		
36	6.303-318.0	Screw 3,5x12-10.9-R2R (IN6RD)	2.000	ST		
37	6.903-241.0	Clamp clip	1.000	ST		
38	5.007-002.0	Plate box	1.000	ST	VERS. 3	
39	4.007-003.0	Plate box complete PUZZI 400K	1.000	ST	VERS. 4	
40	7.312-292.0	Washer 6 -A2 ISO 7093-1	3.000	ST		
41	7.306-192.0	Screw M 6x 12-A2-70 (In6Rd)	3.000	ST		



13 Appliance frame

POS	Article no.	Description	Quantity	Unit	Serial number to	Foot note text
1	4.050-624.0	Frame complete	1.000	ST	11563	
2	6.435-241.0	Castor with brake 75	2.000	ST		
3	6.435-379.0	Wheel 250x55	2.000	ST		
4	6.343-162.0	Lock washer -25	2.000	ST		
5	6.435-393.0	Wheel cap	2.000	ST		
6	6.364-001.0	Edge protection	1.000	M		TO ORDER AS CUT GOODS
7	7.312-260.0	Washer 6 -100HV-A3E ISO 7094	6.000	ST		
8	7.306-089.0	Screw M6x12 -8.8-R2R (In6Rd)	4.000	ST		
9	7.311-423.0	Hexagon nut M10 -04-A2E DIN 985	2.000	ST		
10	7.312-005.0	Washer 10-200HV-A3E ISO 7089	4.000	ST		
11	7.312-060.0	Washer 24-100HV-A3E ISO 7091	4.000	ST		

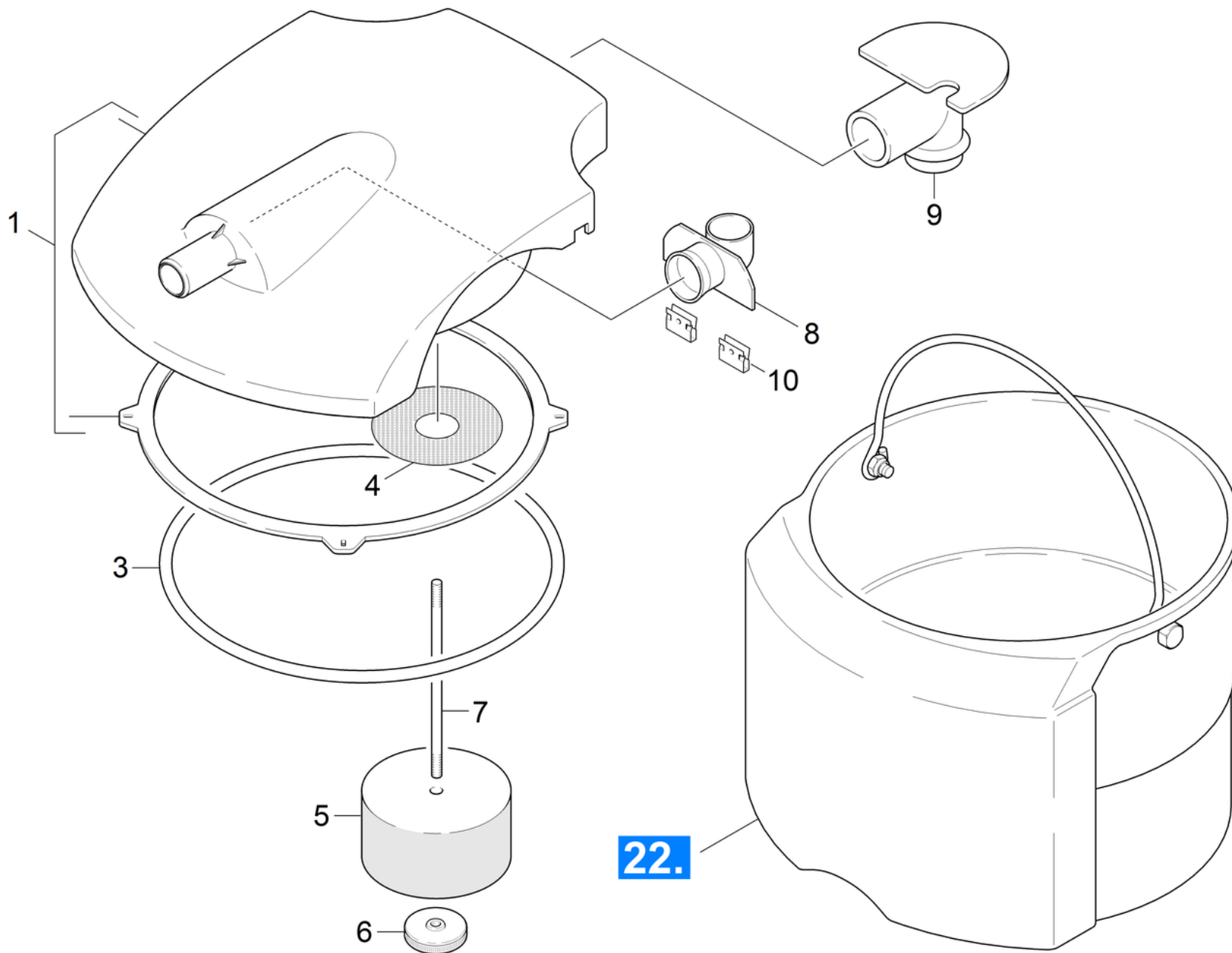


14 Appliance frame

POS	Article no.	Description	Quantity	Unit	Serial number from	Serial number to	Remark	Foot note text
1	4.050-568.0	Frame complete	1.000	ST	11564	11990	VERSION 1	
1	4.050-616.0	Frame complete	1.000	ST	11991		VERSION 2	
2	6.435-241.0	Castor with brake 75	2.000	ST				
3	6.435-379.0	Wheel 250x55	2.000	ST				
4	6.343-162.0	Lock washer -25	2.000	ST				
5	6.435-393.0	Wheel cap	2.000	ST				
6	6.364-001.0	Edge protection	1.000	M				TO ORDER AS CUT GOODS
7	7.312-292.0	Washer 6 -A2 ISO 7093-1	6.000	ST				
8	7.306-192.0	Screw M 6x 12-A2-70 (In6Rd)	6.000	ST				
9	7.311-423.0	Hexagon nut M10 -04-A2E DIN 985	2.000	ST				
10	7.312-005.0	Washer 10-200HV- A3E ISO 7089	2.000	ST				
15	6.368-121.0	Cap 15,4	1.000	ST				
16	7.312-060.0	Washer 24-100HV- A3E ISO 7091	4.000	ST				
17	6.310-023.0	Star handle M 6	1.000	ST			VERSION 2	
18	7.312-167.0	Toothed lock washer A6,4-FSt- A3E DIN 67	1.000	ST			VERSION 2	
19	7.306-105.0	Screw M6x30 -8.8-R3R (In6Rd)	1.000	ST			VERSION 2	
20	7.305-054.0	Countersunk screw M 6x 20-A2-70 (IN6RD)	1.000	ST			VERSION 2	
21	7.312-260.0	Washer 6 -100HV- A3E ISO 7094	1.000	ST			VERSION 2	
22	7.311-422.0	Hexagon nut M 6-1.4305 ISO 10511	1.000	ST			VERSION 2	
23	5.128-393.0	TUBULAR RIVET (Griff)	1.000	ST				

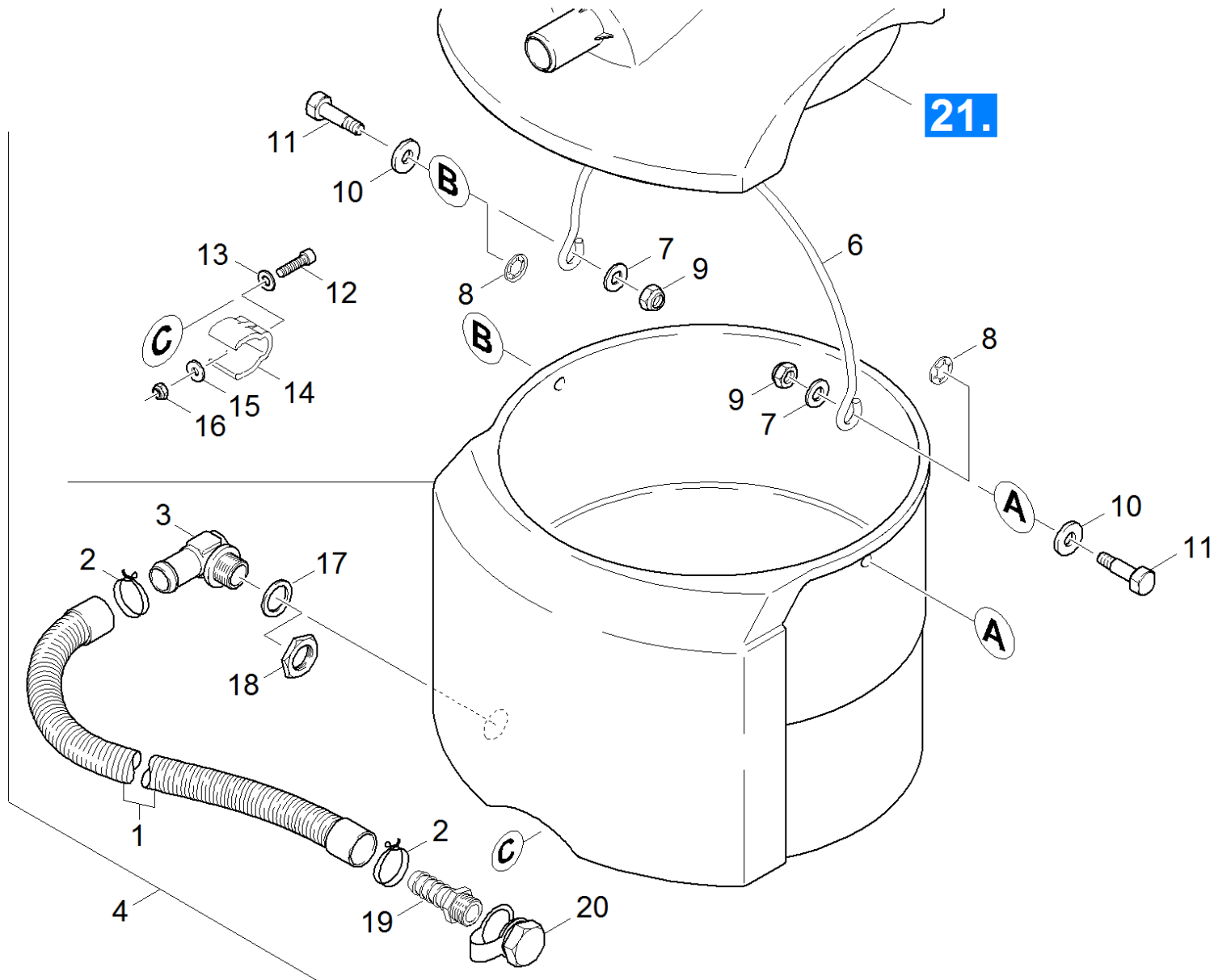
20 Dirt box

POS	Description	Quantity	Unit
21	Suction cover	1.000	ST
22	Waste water tank	1.000	ST



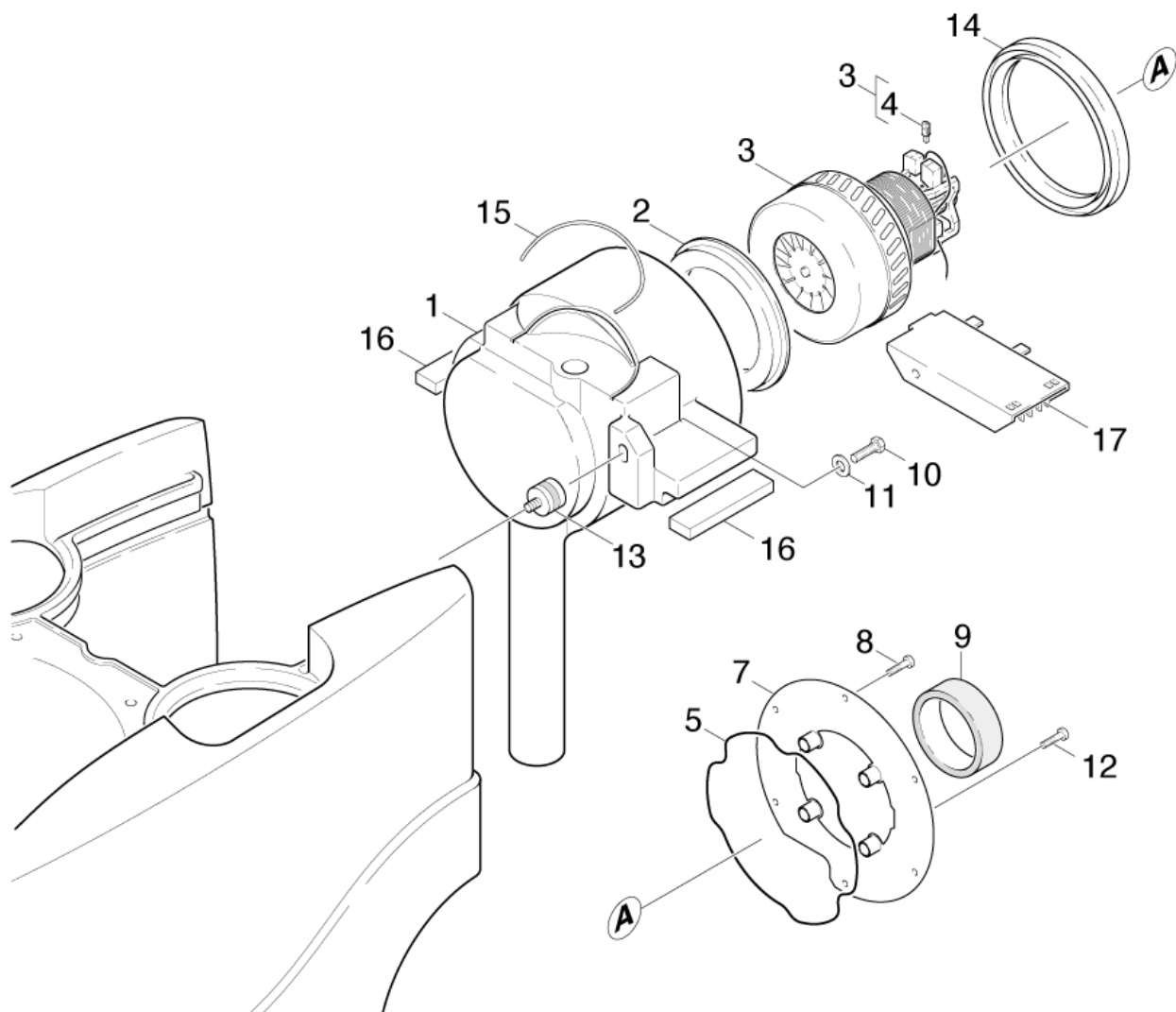
21 Suction cover

POS	Article no.	Description	Quantity	Unit
1	4.063-662.0	Cover complete	1.000	ST
3	5.363-455.0	Joint ring	1.000	ST
4	5.734-091.0	Strainer	1.000	ST
5	5.585-032.0	Float	1.000	ST
6	6.322-010.0	Hand wheel	1.000	ST
7	5.308-059.0	Threaded rod	1.000	ST
8	5.408-059.0	Elbow separator	1.000	ST
9	5.408-060.0	Elbow float	1.000	ST
10	6.373-081.0	U-Fastening 4,5-5mm	2.000	ST



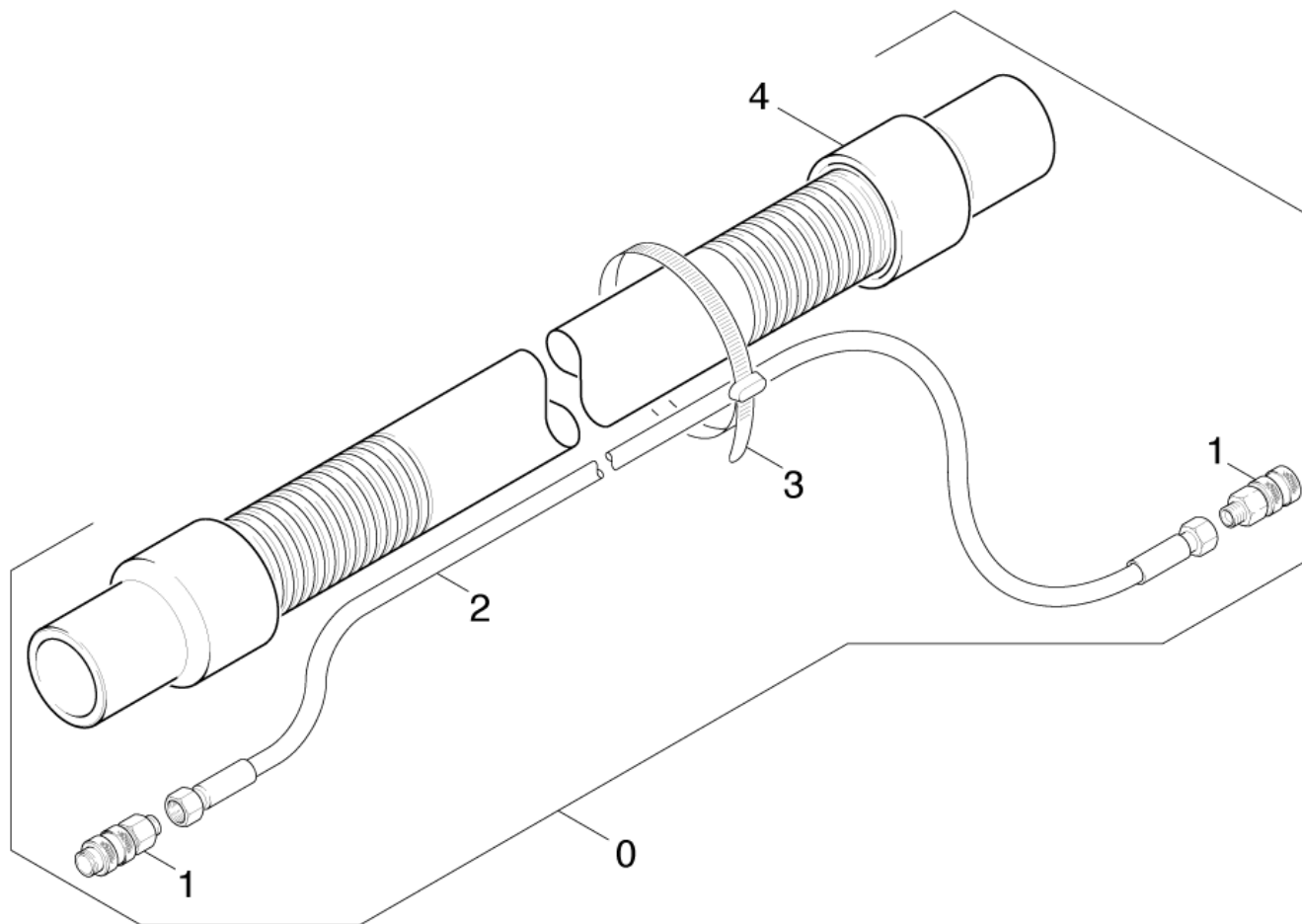
22 Waste water tank

POS	Article no.	Description	Quantity	Unit
1	6.390-428.0	Hose waste watere DN19	1.000	ST
2	7.373-025.0	Hose clip A 20-32x9-W4 DIN3017	2.000	ST
3	5.443-056.0	Hose stem	1.000	ST
4	4.070-376.0	Tank complete	1.000	ST
6	5.034-581.0	Retaining bracket	1.000	ST
7	7.312-292.0	Washer 6 -A2 ISO 7093-1	2.000	ST
8	6.343-147.0	Quick-fastener	2.000	ST
9	7.311-422.0	Hexagon nut M 6-1.4305 ISO 10511	2.000	ST
10	5.363-115.0	Joint ring	2.000	ST
11	7.777-999.0	Stockpiling discontinued	2.000	ST
12	7.306-183.0	Screw M5x20 -A2-70 (In6Rd)	1.000	ST
13	7.312-052.0	Washer 5 -A2 ISO 7089	1.000	ST
14	5.839-409.0	Cable clip	1.000	ST
15	6.362-134.0	Joint ring 5x10	1.000	ST
16	7.311-065.0	Hexagon nut M 5-A2-70 ISO 4032	1.000	ST
17	6.641-653.0	Flat gasket 21X28	1.000	ST
18	6.310-004.0	Hexagon nut G 1/2"	1.000	ST
19	5.443-301.0	Hose stem	1.000	ST
20	6.686-154.0	Cap closure	1.000	ST



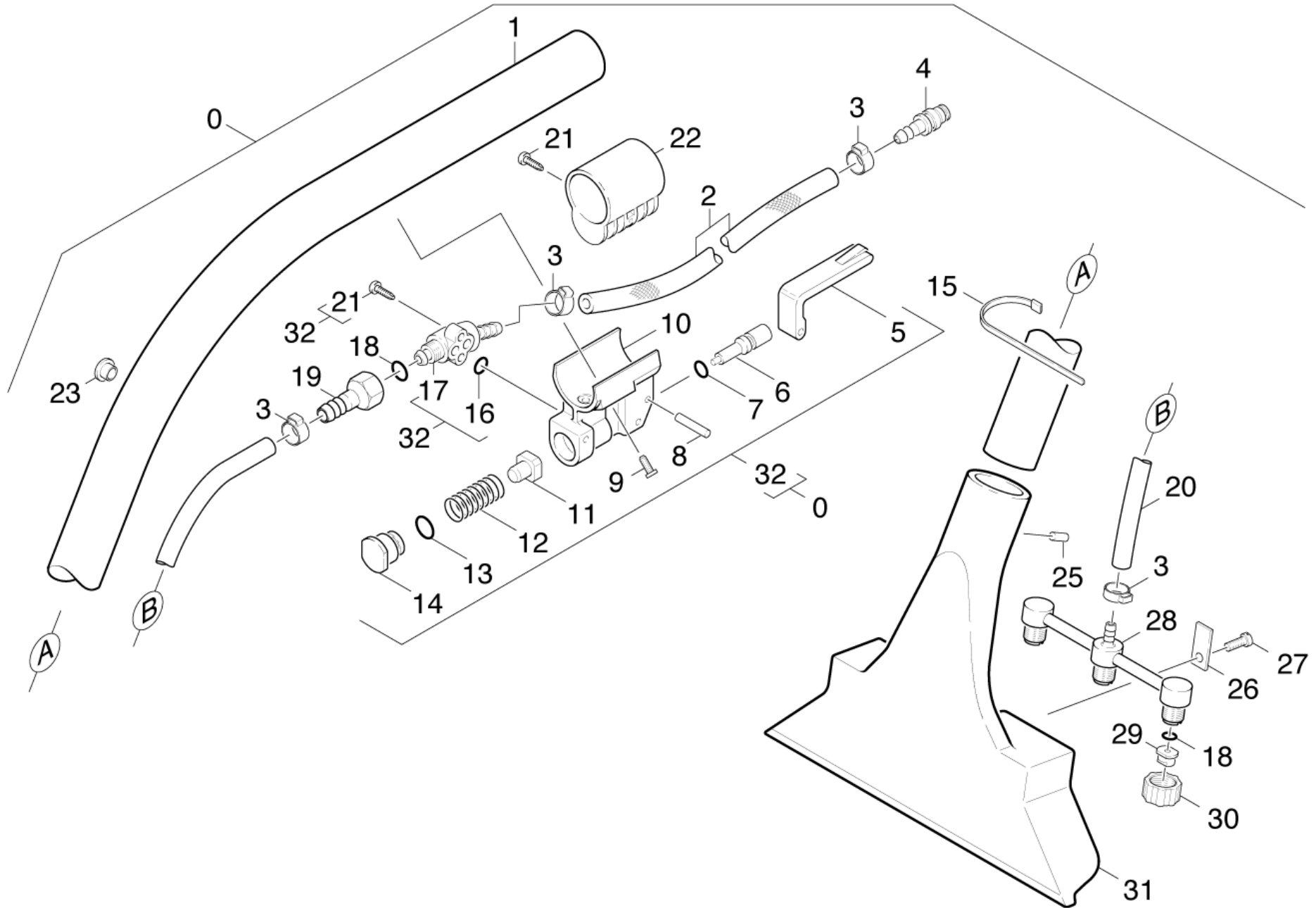
30 Turbine

POS	Article no.	Description	Quantity	Unit	Foot note text
1	5.692-046.0	Air circulation	1.000	ST	
2	6.903-246.0	Seal motor	1.000	ST	
3	6.490-152.0	Vacuum motor 120V	1.000	ST	
	Item text1: / 1.101-206.0				
3	6.490-151.0	Vacuum motor 250V	1.000	ST	
	Item text1: / 1.101-203.0 / -204.0				
3	6.490-137.0	Vacuum motor 230V	1.000	ST	
	Item text1: / 1.101-201.0 / -202.0				
4	6.610-234.0	Carbon brush set	1.000	ST	
5	5.363-499.0	Seal	1.000	ST	
7	4.001-007.0	Plate air circulation	1.000	ST	
8	7.306-071.0	Screw M5x10 -8.8-R2R (In6Rd)	6.000	ST	
9	5.363-252.0	Joint ring	1.000	ST	
10	7.306-105.0	Screw M6x30 -8.8-R3R (In6Rd)	2.000	ST	
11	7.312-292.0	Washer 6 -A2 ISO 7093-1	2.000	ST	
12	9.496-648.0	Screw 5x25	4.000	ST	
13	6.339-187.0	Vibration absorber	2.000	ST	
14	5.363-408.0	Seal	1.000	ST	
15	6.365-443.0	Profile gasket	1.000	M	TO ORDER AS CUT GOODS
16	6.906-399.0	Cellular rubber	1.000	M	TO ORDER AS CUT GOODS
17	6.682-605.0	Electronics	1.000	ST	



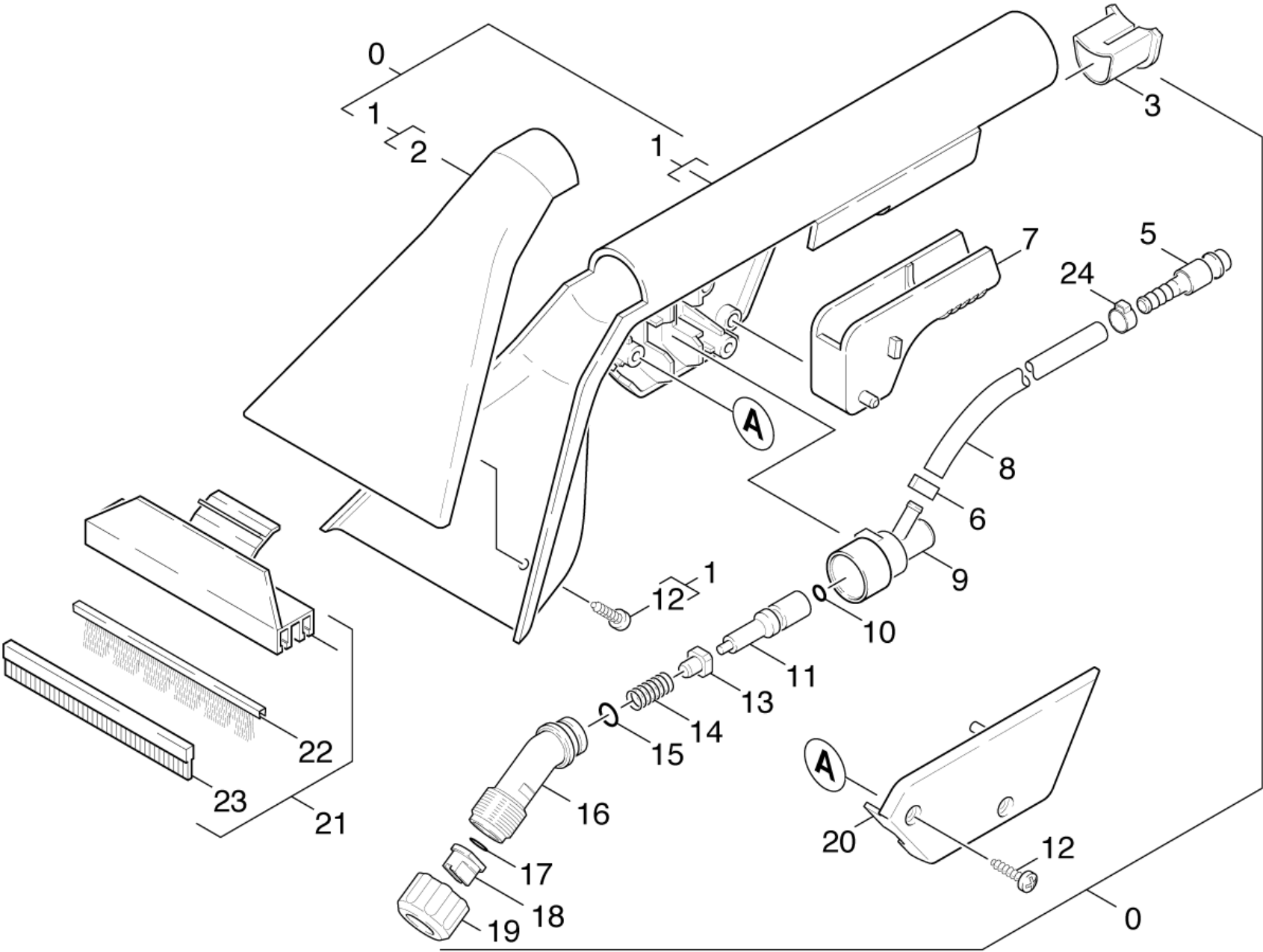
40 Suction hose

POS	Article no.	Description	Quantity	Unit
0	4.440-644.0	Suction hose complete	1.000	ST
1	6.388-652.0	Hose coupling	2.000	ST
2	6.390-529.0	High pressure hose DN 6-4m	1.000	ST
3	6.648-638.0	Cable tie T 30L	11.000	ST
4	6.390-429.0	Suction hose 4m	1.000	ST



50 Working nozzle

POS	Article no.	Description	Quantity	Unit	Foot note text
0	4.130-065.0	Nozzle complete 970	1.000	ST	
1	5.026-209.0	Tube	1.000	ST	
2	6.388-198.0	Hose DN 6	1.000	M	TO ORDER AS CUT GOODS
3	6.389-506.0	Hose clip - 13/ 9	4.000	ZST	
4	6.388-647.0	Hose nozzle 6	1.000	ST	
5	5.321-057.0	Handhold	1.000	ST	
6	5.584-033.0	Valve pin	1.000	ST	
7	6.362-401.0	O-Ring seal 3,1 X 1,6	1.000	ST	
8	7.314-628.0	Straight grooved pin 4x26 -CU2 ISO 8740	3.000	ST	
9	7.303-370.0	Sheet metal screw ST3,9X13,0-ST-A2L DI	2.000	ST	
10	5.587-059.0	Valve housing	1.000	ST	
11	5.584-034.0	Valve pin	1.000	ST	
12	5.332-082.0	Helical spring	1.000	ST	
13	6.363-615.0	O-Ring seal 11 x 1,5 -NBR70	1.000	ST	
14	5.112-122.0	Bush	1.000	ST	
15	6.641-464.0	Cable tie	4.000	ST	
16	6.362-965.0	O-Ring seal 5,0 X 2,0 -EPDM 70	2.000	ST	
17	5.587-060.0	Valve housing	1.000	ST	
18	6.362-113.0	O-Ring seal 6,0 x 2,0 NBR 70	3.000	ST	
19	5.409-080.0	Nipple	1.000	ST	
20	6.388-198.0	Hose DN 6	1.000	M	TO ORDER AS CUT GOODS
21	6.303-025.0	Oval head screw 4,2x16-St-vz	3.000	ST	
22	5.042-334.0	Holder	1.000	ST	
23	6.368-056.0	Drain plug	1.000	ST	
25	7.314-525.0	Straight grooved pin 6x12-A1 ISO 8740	1.000	ST	
26	5.004-326.0	Strap	2.000	ST	
27	7.306-180.0	Screw M5x10-A2-70 (In6Rd)	2.000	ST	
28	4.764-057.0	Nozzle holder	1.000	ST	
29	6.415-353.0	Nozzle mouthpiece	3.000	ST	
30	5.310-043.0	Nut	3.000	ST	
31	5.777-006.0	Suction nozzle	1.000	ST	
32	4.580-070.0	Valve	1.000	ST	



60 Hand nozzle

POS	Article no.	Description	Quantity	Unit
0	4.130-446.0	Hand nozzle Puzzi 400	1.000	ST
1	4.130-126.0	Hand nozzle with cover	1.000	ST
2	5.130-223.0	Cover hand nozzle	1.000	ST
3	5.112-572.0	Bush	1.000	ST
5	6.388-647.0	Hose nozzle 6	1.000	ST
6	6.390-257.0	Hose clip	1.000	ST
7	5.481-157.0	Lever	1.000	ST
8	6.390-237.0	Hose PU DN 6x1	1.000	ZST
9	5.587-139.0	Valve housing	1.000	ST
10	6.362-401.0	O-Ring seal 3,1 X 1,6	1.000	ST
11	5.584-033.0	Valve pin	1.000	ST
12	7.303-116.0	Screw 4x12-A2-70 (IN6RD)	4.000	ST
13	5.584-034.0	Valve pin	1.000	ST
14	5.332-082.0	Helical spring	1.000	ST
15	6.362-402.0	O-Ring seal 11,0 X 1,3-NBR 70	1.000	ST
16	5.401-225.0	Screw connector part	1.000	ST
17	6.362-113.0	O-Ring seal 6,0 x 2,0 NBR 70	1.000	ST
18	6.415-928.0	Nozzle mouthpiece blue	1.000	ST
19	5.310-043.0	Nut	1.000	ST
20	5.063-773.0	Cover	1.000	ST
21	4.762-219.0	Hard surface adapter	1.000	ST
22	6.959-282.0	Brush strip	1.000	ST
23	6.959-283.0	Rubber lip	1.000	ST
24	6.389-882.0	Hose clip 8,5-10,0	1.000	ST

1 Hand nozzle with cover (4.130-126.0)

POS	Article no.	Description	Quantity	Unit
2	6.303-059.0	Oval head screw 4,0X 12-A2	2.000	ST
3	5.130-223.0	Cover hand nozzle	1.000	ST