

Spare parts list

(1.251-901.0) HDS 12/14 -4 ST GAS *EU-I

Table of contents

HDS 12/14 -4 ST GAS *EU-I (1.251-901.0)	4
25 Documentation TR HDS 12/14 - 4 ST Gas	5
7 HDS 12/14 - 4 ST	7
10 Individual parts	8
20 Pump set	11
21 Piston	12
1 Piston complete only for replacement (4.553-283.0)	14
100 Pump set (2.883-302.0)	15
22 Suction side	16
16 Pressure switch (6.630-050.0)	18
23 Delivery side	19
24 Pressure switch	21
Pressure switch (6.630-111.0)	23
30 Motor	24
19 Wobble plate (5.120-235.3)	26
40 Flow heater	27
7 Seal (5.363-360.0)	29
50 Float chest	30
60 Safety system	33
70 Tank	35
80 Control panel	37
90 Pilot lamp	39
100 Burner	41
51 Conversion kit pressure switch air (2.638-961.0)	44
8 Spare parts list pressure switch (5.958-505.0)	45
10 Conversion kit pressure switch	46
110 Equipment cabinet	48
55 Conversion kit multifunctional relay (2.882-059.0)	51
7 Spare parts list TR HDS 12/14 - 4 ST Ga (5.974-436.0)	53
10 Individual parts	54
20 Pump set	57
21 Piston	58
1 Piston complete only for replacement (4.553-283.0)	60
100 Pump set (2.883-302.0)	61
22 Suction side	62
16 Pressure switch (6.630-050.0)	64
23 Delivery side	65
24 Pressure switch	67

Table of contents

Pressure switch (6.630-111.0)	69
30 Motor	70
19 Wobble plate (5.120-235.3)	72
40 Flow heater	73
7 Seal (5.363-360.0)	75
50 Float chest	76
60 Safety system	79
70 Tank	81
80 Control panel	83
90 Pilot lamp	85
100 Burner	87
51 Conversion kit pressure switch air (2.638-961.0)	90
8 Spare parts list pressure switch (5.958-505.0)	91
10 Conversion kit pressure switch	92
110 Equipment cabinet	94
55 Conversion kit multifunctional relay (2.882-059.0)	97

HDS 12/14 -4 ST GAS *EU-I (1.251-901.0)

POS	Description	Quantity	Unit
25	Documentation TR HDS 12/14 - 4 ST Gas	1	PC

5.XXX-XXX.0

	KÄRCHER Made in Germany 1.XXX-XXX.0
HDS X/XX	
Year: <input type="text"/>	<input type="text"/>
S/N: <input type="text"/>	<input type="text"/>
<input type="text"/>	
Alfred Kärcher SE & Co. KG, P.O.Box 160, 71349 Winnenden, Germany	

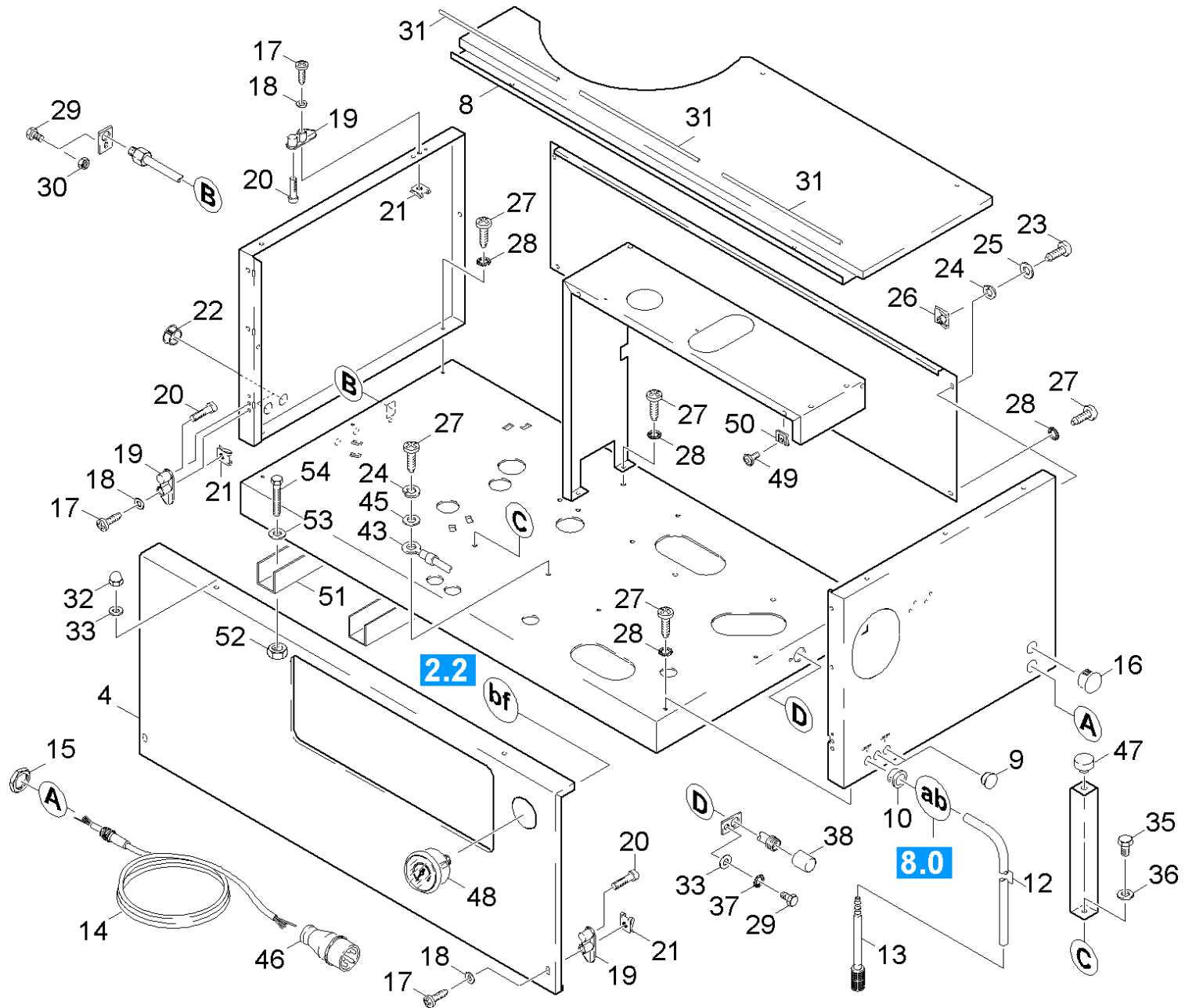
2.002-XXX.0

	KÄRCHER Made in Germany 1.XXX-XXX.0
HDS X/XX	
Year: <input type="text"/>	<input type="text"/>
S/N: <input type="text"/>	<input type="text"/>
<input type="text"/>	
Alfred Kärcher SE & Co. KG, P.O.Box 160, 71349 Winnenden, Germany	

25 Documentation TR HDS 12/14 - 4 ST Gas

POS	Article no.	Description	Quantity	Unit	valid from	valid until
7		HDS 12/14 - 4 ST	1	PC	10388	
7	5.974-436.0	Spare parts list TR HDS 12/14 - 4 ST Ga	1	PC		10387

POS	Article no.	Description	Quantity	Unit
120	2.640-422.0	Add-on kit siphon trap	1	PC
100		Burner	1	PC
80		Control panel	1	PC
110		Equipment cabinet	1	PC
50		Float chest	1	PC
40		Flow heater	1	PC
10		Individual parts	1	PC
30		Motor	1	PC
90		Pilot lamp	1	PC
20		Pump set	1	PC
60		Safety system	1	PC
70		Tank	1	PC



10 Individual parts

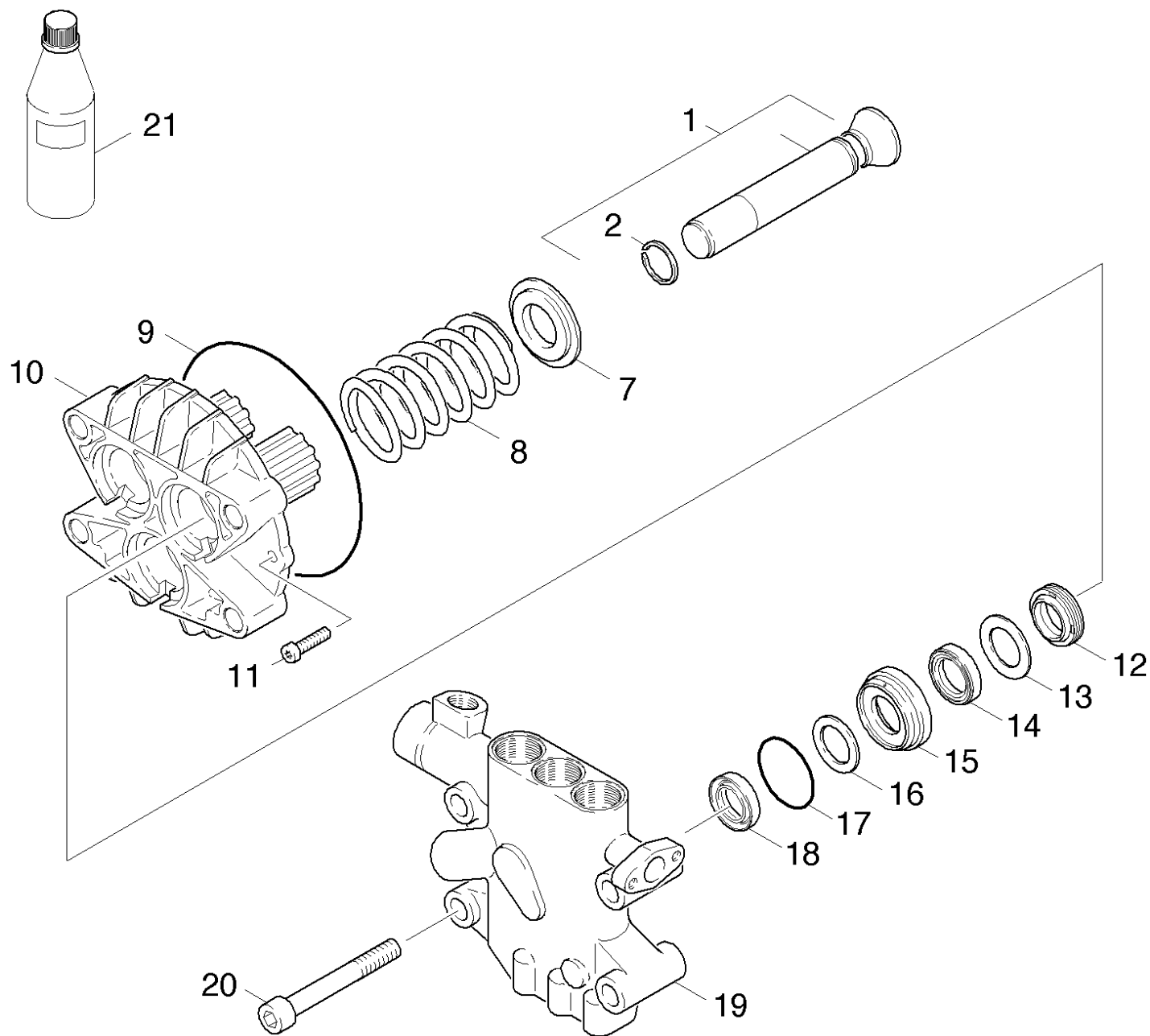
POS	Article no.	Description	Quantity	Unit	Foot note text
51	5.017-819.0	Angle boiler Gas 9/16	2	PC	
14	4.822-147.0	Cable	1	PC	
43	4.822-148.0	Cable green/yellow 2,5mm ² x600mm	1	PC	
9	6.368-099.0	Cap	2	PC	
22	6.368-079.0	Cap	2	PC	
32	7.311-380.0	Cap nut M6 -6-A2E DIN 1587	2	PC	
13	6.414-136.0	Filter	1	PC	
29	7.304-382.0	Hexagonal head screw M 6x12-8.8-A2E ISO	2	PC	
54	7.304-538.0	Hexagonal head screw M8x16-A4-70 ISO 40	4	PC	
30	7.311-425.0	Hexagon nut M6-04-A2E DIN 985	1	PC	
52	7.311-068.0	Hexagon nut M 8-A2-70 ISO 4032	4	PC	
11	6.388-194.0	Hose DN 7	1	m	TO ORDER AS CUT GOODS
15	6.648-409.0	Locknut grey M25	1	PC	
49	6.304-153.0	Oval head screw M6x12-A2 aeahl: ISO 738	2	PC	
4	5.065-740.0	Panel basalt grey	1	PC	
8	5.065-739.0	Panel basalt grey	1	PC	
46	6.646-044.0	Plug CEE-32 A	1	PC	
48	6.421-350.0	Pressure gauge 0-31,5 MPa	1	PC	
38	6.368-071.0	Protecting cap 3/4 Z	1	PC	
16	6.368-028.0	Protecting cap 26,5	1	PC	
31	5.394-164.0	Protection part	3	PC	
50	6.310-082.0	Putting nut M6	2	PC	
47	6.339-022.0	Rubber buffer	1	PC	
20	7.303-095.0	Screw 4x12-ST-10.9-R2R (IN6RD)	3	PC	
27	6.303-192.0	Screw M5x12 TX TAPTITE2000	9	PC	
35	6.303-035.0	Screw M8x12-ST-A2E DIN 7500-1	2	PC	
23	7.303-076.0	Sheet metal screw ST4,8X13 -St-R2R (In6	2	PC	
17	7.303-080.0	Sheet metal screw ST4,8X32-ST-P2R-F ISO 14585	3	PC	
21	6.310-034.0	Speed nut	3	PC	
26	6.310-121.0	Speed nut	2	PC	
24	7.313-002.0	Spring washer B5-FSt-MZN DIN 127	3	PC	
19	5.057-026.0	Support	3	PC	
28	7.312-172.0	Toothed lock washer A5,3-FSt-A3E DIN 6797	12	PC	

10 Individual parts

POS	Article no.	Description	Quantity	Unit	Foot note text
37	7.312-167.0	Toothed lock washer A6,4-FSt-A3E DIN 6797	1	PC	
36	7.312-166.0	Toothed lock washer A8,4-FSt-A3E DIN 6797	3	PC	
12	5.025-747.0	Tube	1	PC	
45	7.312-002.0	Washer 5 -200HV-A3E ISO 7089	1	PC	
25	7.312-052.0	Washer 5 -A2 ISO 7089	2	PC	
18	7.312-278.0	Washer 5-200HV-A2E ISO7093-1	3	PC	
33	7.312-003.0	Washer 6 -200HV-A3E ISO 7089	3	PC	
53	7.312-017.0	Washer 8-A2 ISO 7089	4	PC	
10	6.641-494.0	Wire protecting sleeve	1	PC	

20 Pump set

POS	Description	Quantity	Unit
23	Delivery side	1	PC
21	Piston	1	PC
24	Pressure switch	1	PC
22	Suction side	1	PC



21 Piston

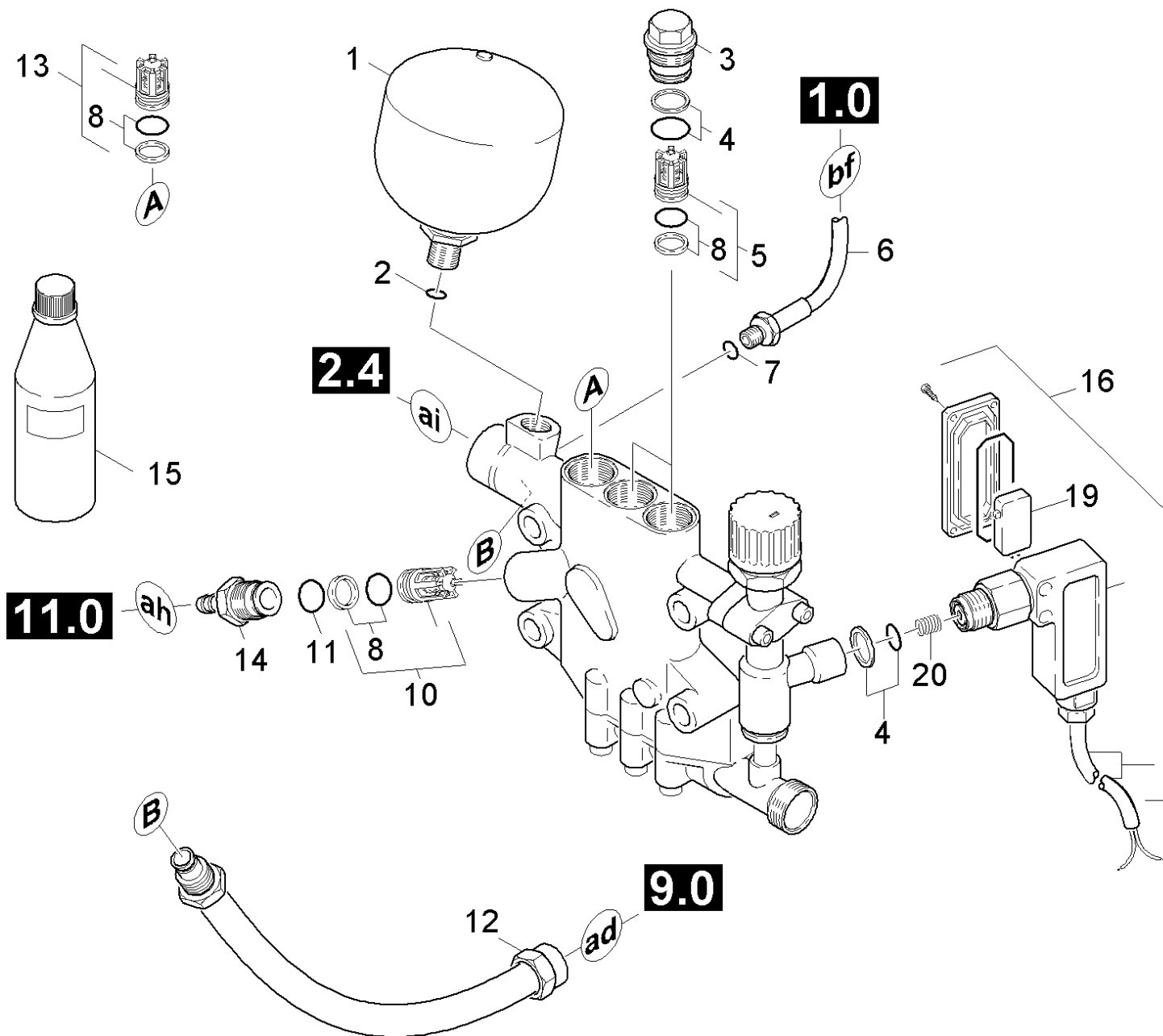
POS	Article no.	Description	Quantity	Unit
15	5.112-414.3	Bush	3	PC
14	6.365-056.0	Compact seal 22X32X6	3	PC
19	5.550-172.0	Cylinder head	1	PC
20	7.306-155.0	Cylinder head screw M12x100 -8.8-A3E IS	4	PC
21	6.288-016.0	Gear oil 1L	1	PC
18	6.365-055.0	Grooved ring 22x30x5	3	PC
12	6.365-059.0	Grooved ring 22X30X6/8	3	PC
8	5.332-281.0	Helical spring	3	PC
10	5.060-397.3	Housing	1	PC
17	6.362-092.0	O-Ring seal 36,0 X 2,0-NBR 70	3	PC
9	6.362-796.0	O-Ring seal 107,62X 2,62	1	PC
1	4.553-283.0	Piston complete only for replacement	3	PC
1	4.553-283.3	Piston complete only for replacement	3	PC
	Item text1: successor of 4.553-283.0			
100	2.883-302.0	Pump set	1	PC
11	7.306-105.0	Screw M6x30 -8.8-R3R (In6Rd)	2	PC
2	6.343-142.0	Snap ring WR 22	3	PC
7	5.115-522.0	Washer	3	PC
13	5.115-520.0	Washer	3	PC
16	5.115-521.0	Washer	3	PC

1 Piston complete only for replacement (4.553-283.0)

POS	Article no.	Description	Quantity	Unit
7	6.288-016.0	Gear oil 1L	1	PC
6	6.376-036.0	Label spare parts neutrally 65x55 MM	1	ZST
2	5.560-022.0	Slide of a press	1	PC
5	6.591-052.0	Sliding collar 35, 120-200mm	1	PC
3	6.343-142.0	Snap ring WR 22	1	PC

100 Pump set (2.883-302.0)

POS	Article no.	Description	Quantity	Unit
150	6.365-056.0	Compact seal 22X32X6	3	PC
140	6.365-055.0	Grooved ring 22x30x5	3	PC
160	6.365-059.0	Grooved ring 22X30X6/8	3	PC
120	6.362-703.0	O-Ring seal 6,0x1,5-NBR 70	1	PC
130	6.362-797.0	O-Ring seal 9,0 X 2,0	1	PC
80	6.362-482.0	O-Ring seal 10 x 1,5-NBR 70	1	PC
70	6.362-481.0	O-Ring seal 14,0 x 2,0 NBR 80	1	PC
50	6.362-153.0	O-Ring seal 15,3 X 2,4-NBR 70	2	PC
110	6.362-547.0	O-Ring seal 20,0x1,5-NBR 70	1	PC
90	6.363-607.0	O-Ring seal 34,65 x 1,78 -NBR70	3	PC
100	6.362-500.0	O-Ring seal complete /1ST.-R.	4	PC
60	6.362-467.0	O-Ring seal complete 1ST.-R.	1	PC
10	2.884-906.0	TRIPLE VALVE	2	PC
20	2.884-903.0	Valve (2 Stück)	1	PC
30	4.580-237.0	Valve complete	1	PC
40	5.115-521.0	Washer	3	PC

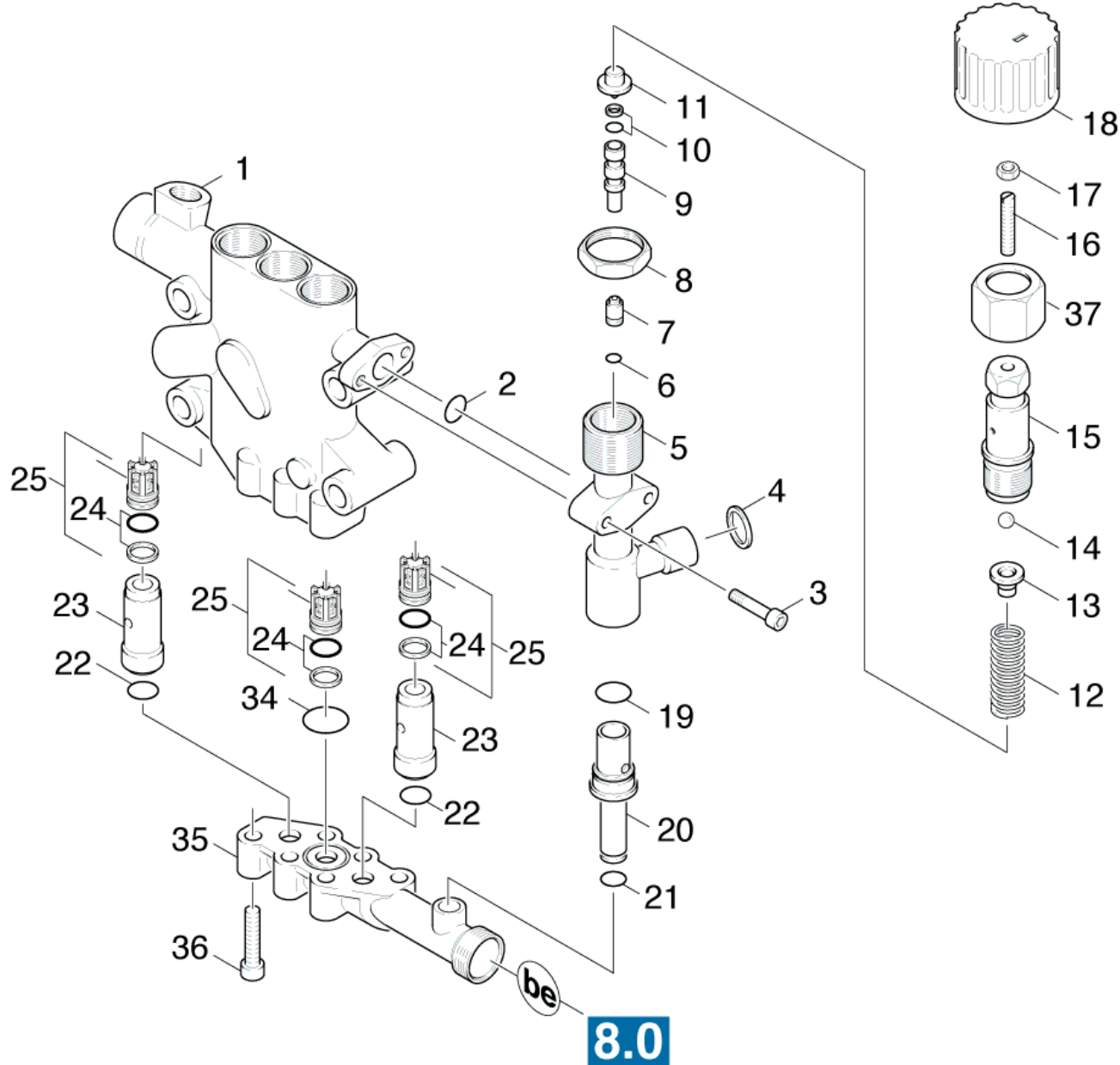


22 Suction side

POS	Article no.	Description	Quantity	Unit	Foot note text
12	6.391-596.0	High pressure hose DN 13	1	PC	
6	6.389-635.0	High pressure hose pressure gauge	1	PC	
14	5.443-336.0	Hose stem	1	PC	
7	7.362-003.0	Joint ring A10x13,5 -Cu DIN 7603	1	PC	
2	6.362-176.0	O-Ring seal 6,07x1,78	1	PC	
11	6.362-481.0	O-Ring seal 14,0 x 2,0 NBR 80	1	PC	
4	6.362-500.0	O-Ring seal complete /1ST.-R.	4	PC	
8	4.363-693.0	O-Ring seal kpl. -nur fuer Ersatz-	3	PC	
20	6.330-202.0	Pressure spring 8 bar	1	PC	
16	6.630-050.0	Pressure switch	1	PC	
1	6.505-040.0	Pulsation damper	1	PC	
19	6.631-792.0	Switch	1	PC	
5	2.884-906.0	TRIPLE VALVE	2	PC	SET WITH 3 PIECES
10	2.884-903.0	Valve (2 Stück)	1	PC	SET OF 2 PIECES
13	4.580-237.0	Valve complete	1	PC	
3	5.583-125.0	Valve screw	3	PC	

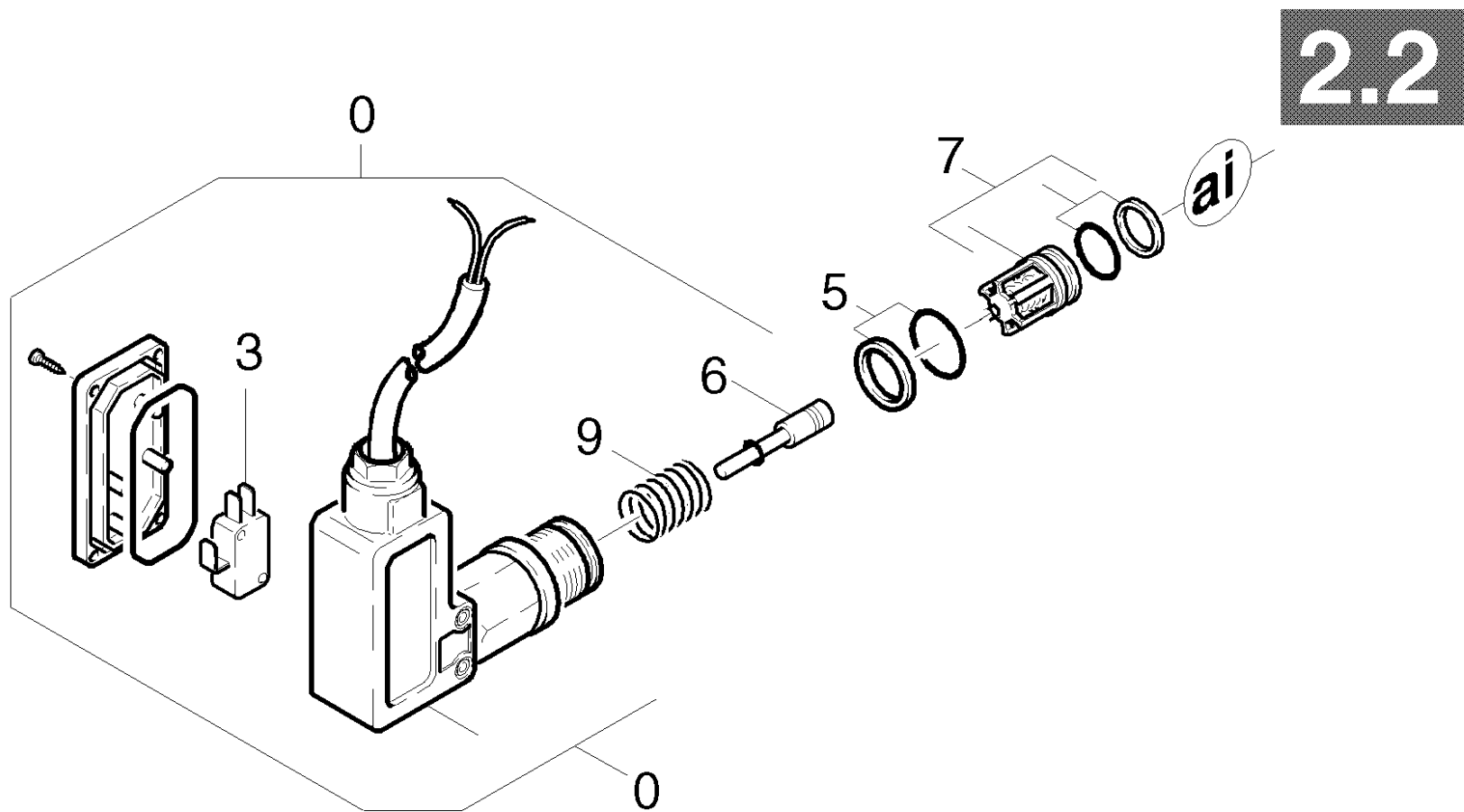
16 Pressure switch (6.630-050.0)

POS	Article no.	Description	Quantity	Unit
999	6.330-202.0	Pressure spring 8 bar	1	PC



23 Delivery side

POS	Article no.	Description	Quantity	Unit
20	5.402-535.0	Connection piece	1	PC
1	5.550-172.0	Cylinder head	1	PC
36	7.306-044.0	Cylinder head screw M8x35 -8.8-A2E ISO4	6	PC
18	5.321-406.0	Handhold	1	PC
12	5.332-285.0	Helical spring	1	PC
15	5.304-061.0	Hexagonal head screw	1	PC
37	5.311-164.0	Hexagon nut	1	PC
17	7.311-003.0	Hexagon nut M6 -8-A2E ISO 4032	1	PC
8	5.311-165.0	Hexagon nut M30x1,5	1	PC
5	5.060-424.0	Housing	1	PC
4	2.880-154.0	O-Ring kit	1	PC
6	6.362-703.0	O-Ring seal 6,0x1,5-NBR 70	1	PC
21	6.362-797.0	O-Ring seal 9,0 X 2,0	1	PC
2	6.362-482.0	O-Ring seal 10 x 1,5-NBR 70	1	PC
22	6.362-153.0	O-Ring seal 15,3 X 2,4-NBR 70	2	PC
19	6.362-534.0	O-Ring seal 18,0 X 2,0-NBR 70	1	PC
34	6.362-547.0	O-Ring seal 20,0x1,5-NBR 70	1	PC
10	6.363-115.0	O-Ring seal complete 1ST.-R.	1	PC
24	4.363-693.0	O-Ring seal kpl. -nur fuer Ersatz-	3	PC
9	5.553-431.0	Piston	1	PC
3	7.306-105.0	Screw M6x30 -8.8-R3R (In6Rd)	2	PC
23	5.110-518.0	Sleeve	2	PC
14	7.401-918.0	Sphere 6 G300 -1.4301 DIN 5401	1	PC
16	7.307-418.0	Threaded pin M6x35 -St-45H-A2E ISO 4026	1	PC
25	2.884-906.0	TRIPLE VALVE	2	PC
13	5.582-103.0	Valve disc	1	PC
35	5.587-141.0	Valve housing	1	PC
11	5.584-077.0	Valve pin	1	PC
7	5.581-143.0	Valve seat	1	PC



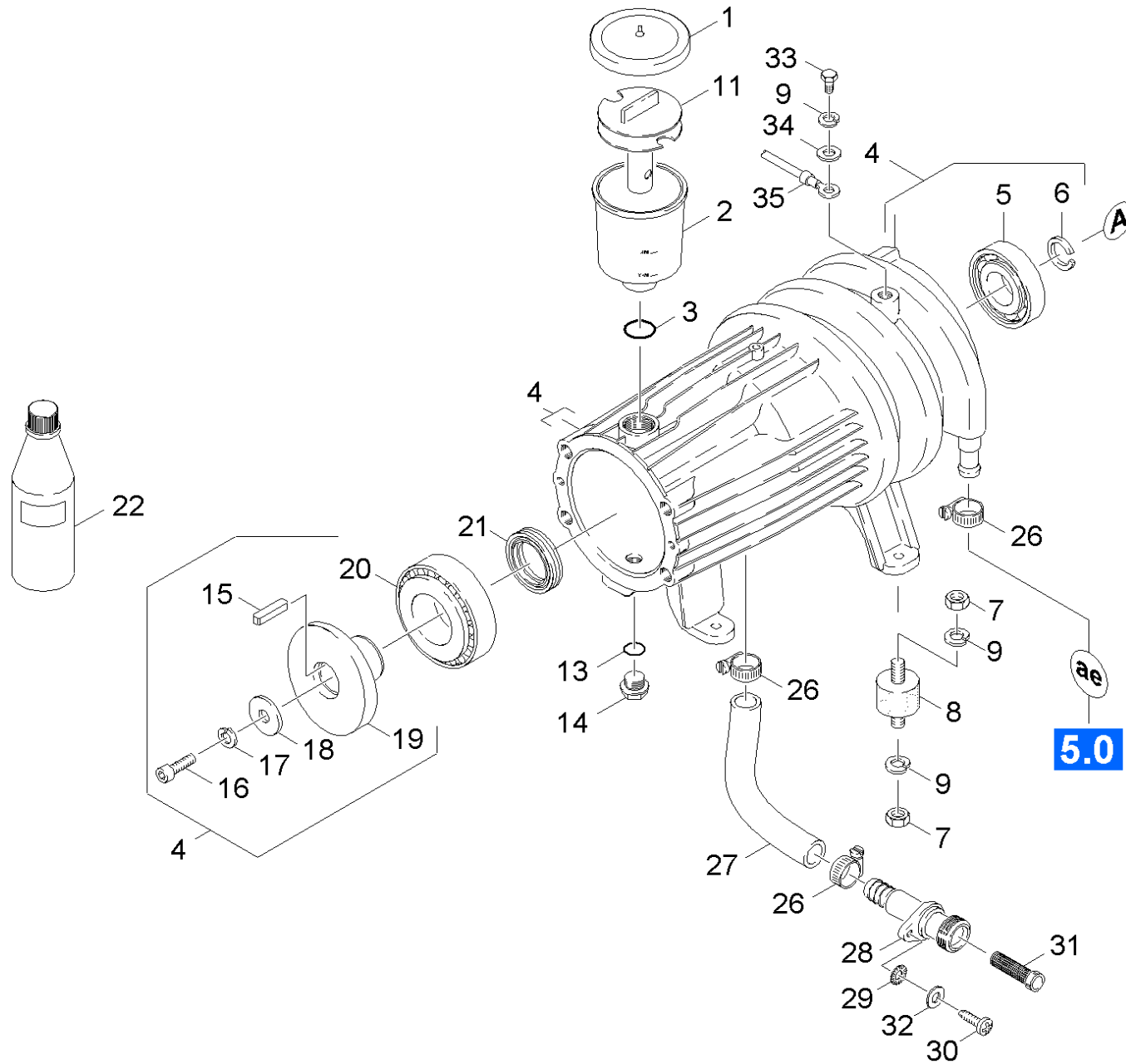
2.2

24 Pressure switch

POS	Article no.	Description	Quantity	Unit
5	6.362-500.0	O-Ring seal complete /1ST.-R.	1	PC
6	6.630-038.0	Piston complete	1	PC
9	6.330-204.0	Pressure spring 30 bar	1	PC
0	6.630-111.0	Pressure switch	1	PC
3	6.631-792.0	Switch	1	PC
7	2.884-903.0	Valve (2 Stück)	1	PC

Pressure switch (6.630-111.0)

POS	Article no.	Description	Quantity	Unit
999	6.330-204.0	Pressure spring 30 bar	1	PC

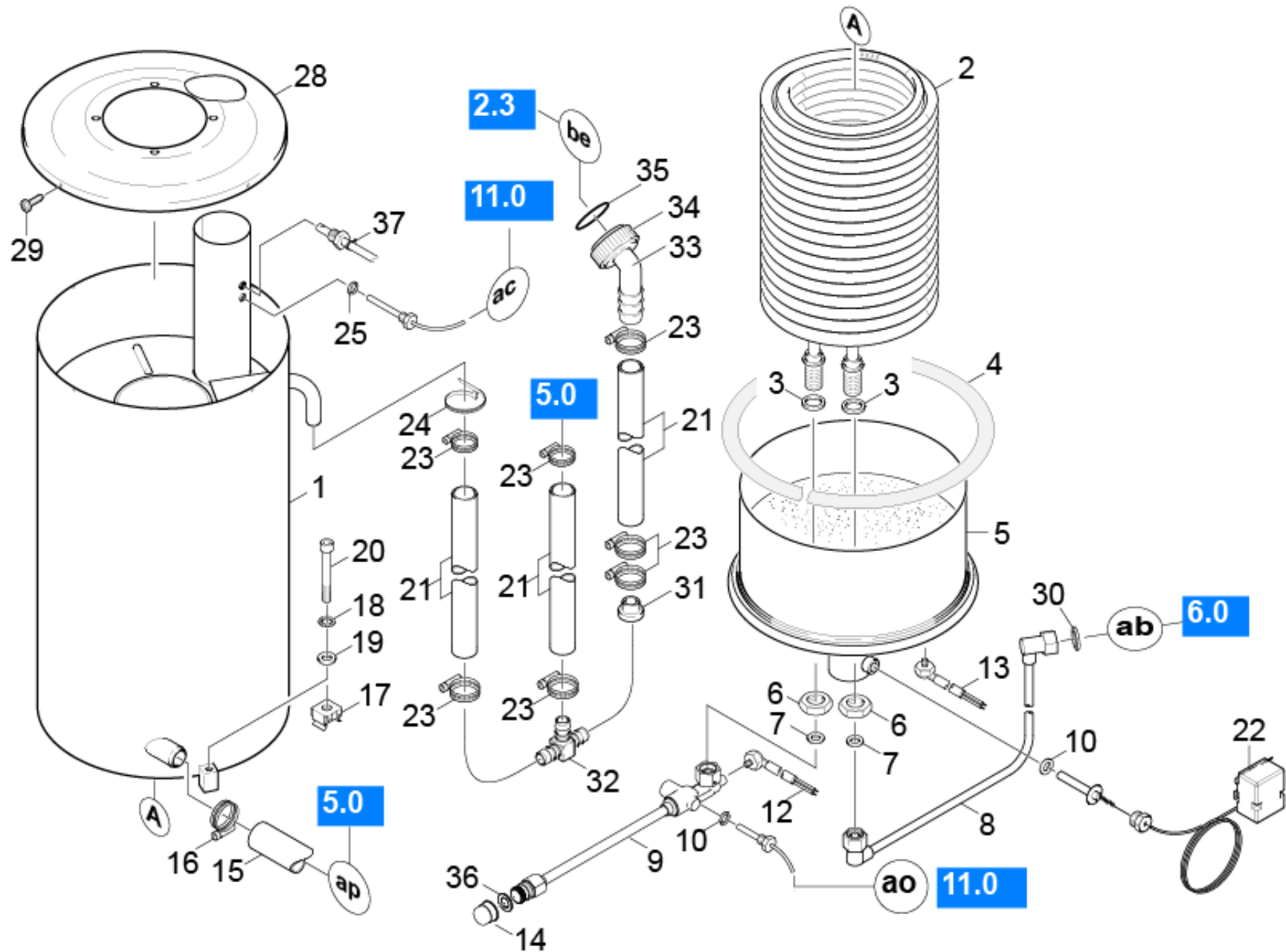


30 Motor

POS	Article no.	Description	Quantity	Unit
5	6.401-253.0	Ball bearing 6305-2Z	1	PC
2	5.070-048.0	Box	1	PC
35	4.820-249.0	Cable green/yellow 2,5mm ² x600mm	1	PC
1	5.064-459.0	Cover grey	1	PC
16	7.306-041.0	Cylinder head screw M8x20 -8.8-A2E ISO	1	PC
22	6.288-016.0	Gear oil 1L	1	PC
7	7.311-004.0	Hexagon nut M8 -8-A3E ISO 4032	8	PC
26	7.373-022.0	Hose clip A-16-27x9 -W2-2 DIN3017	3	PC
6	7.343-008.0	Locking ring 25x1,2-St-vz DIN 471	1	PC
28	5.427-123.0	Manifold	1	PC
4	4.623-211.0	Motor complete	1	PC
11	5.030-389.0	Moulded part	1	PC
13	6.363-273.0	O-Ring seal 11,0 x 2,0	1	PC
3	6.362-168.0	O-Ring seal 22,3 X 2,4-NBR 70	1	PC
15	7.318-035.0	Parallel key 8x7x25 -C45K DIN 6885-1	1	PC
27	5.442-594.0	Piece of tube	1	PC
21	7.367-009.0	Radial shaft seal ring A35x52x7-NBR DIN	1	PC
8	6.339-060.0	Rubber buffer M8	4	PC
30	7.303-048.0	Screw M6x20 -St-R3R (In6Rd)	1	PC
33	6.303-035.0	Screw M8x12-ST-A2E DIN 7500-1	1	PC
14	5.411-100.0	Screw plug	1	PC
9	7.313-004.0	Spring washer B8-FSt-A3E DIN 127	8	PC
31	6.414-282.0	Strainer	1	PC
20	6.401-225.3	Taper roller bearing 41	1	PC
29	7.312-167.0	Toothed lock washer A6,4-FSt-A3E DIN 6797	1	PC
17	7.312-166.0	Toothed lock washer A8,4-FSt-A3E DIN 6797	1	PC
18	5.115-565.0	Washer	1	PC
32	7.312-003.0	Washer 6 -200HV-A3E ISO 7089	1	PC
34	7.312-004.0	Washer 8 -200HV-A3E ISO 7089	1	PC
19	5.120-235.3	Wobble plate	1	PC

19 Wobble plate (5.120-235.3)

POS	Article no.	Description	Quantity	Unit
4	6.376-036.0	Label spare parts neutrally 65x55 MM	1	ZST
2	6.590-355.0	LDPE bag 130x140 mm	1	PC

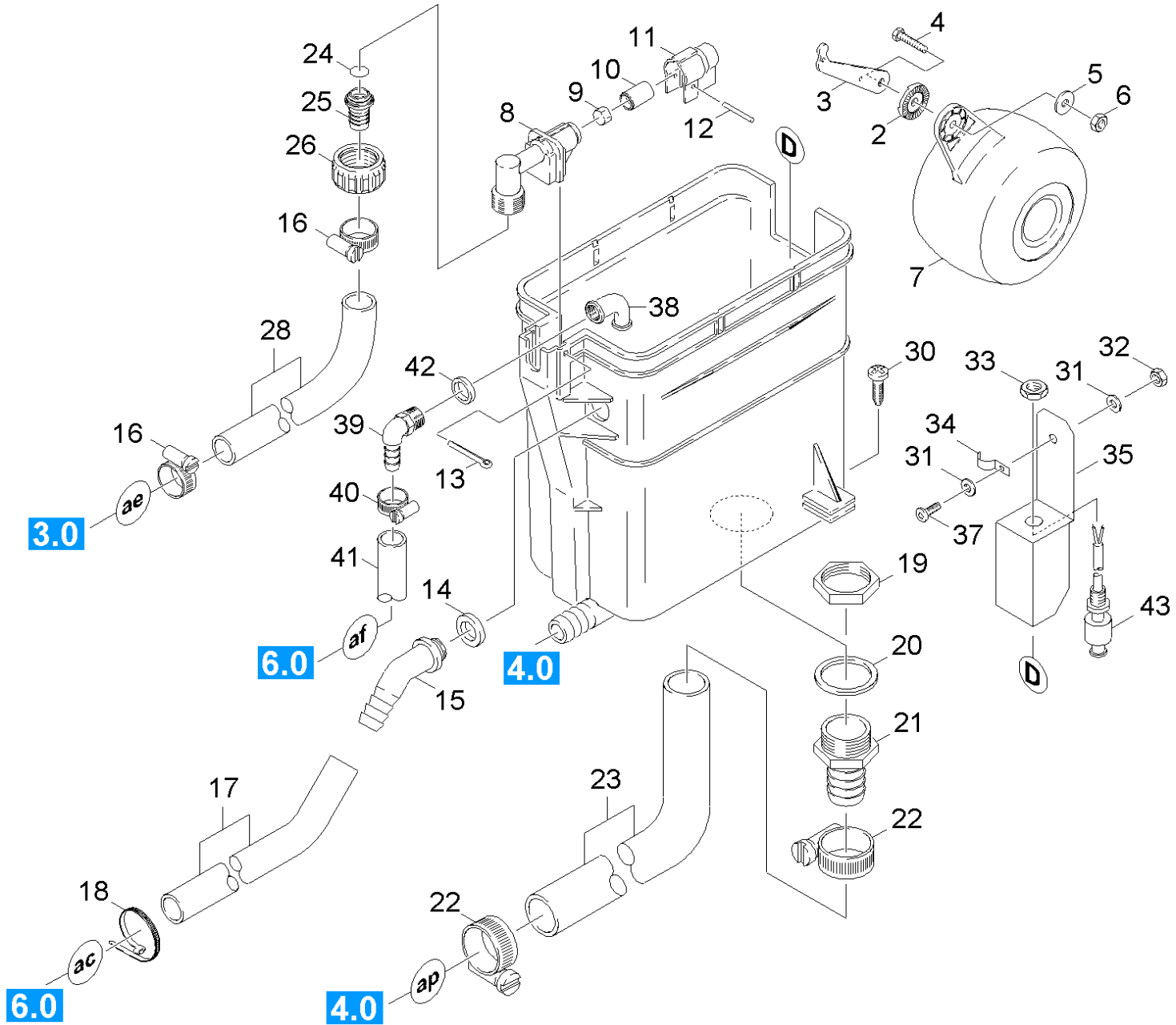


40 Flow heater

POS	Article no.	Description	Quantity	Unit	Foot note text
5	4.655-057.0	Bottom pressure boiler	1	PC	
31	5.112-193.0	Bush	1	PC	
17	6.310-081.0	Cage nut M 8	6	PC	
37	5.402-657.0	Connection piece	1	PC	
28	5.654-000.0	Cover pressure boiler	1	PC	
20	7.306-039.0	Cylinder head screw M8x50 -8.8-A2E ISO	6	PC	
2	4.680-142.3	Heating coil VA	1	PC	
6	7.311-155.0	Hexagon nut M22x1,5 -Cu2 DIN 936	2	PC	
16	6.388-563.0	Hose clip	1	PC	
23	7.373-022.0	Hose clip A-16-27x9 -W2-2 DIN3017	2	PC	
21	6.388-155.0	Hose DN19	1	m	TO ORDER AS CUT GOODS
15	6.389-373.0	Hose PVC DN32	1	m	TO ORDER AS CUT GOODS
33	5.443-211.0	Hose stem	1	PC	
25	7.362-033.0	Joint ring A5,5x8 -Cu DIN 7603	3	PC	
34	5.310-062.0	Nut	1	PC	
30	2.880-154.0	O-Ring kit	1	PC	
35	6.362-078.0	O-Ring seal 13,3x2,4	1	PC	
1	4.652-005.0	Outer covering boiler Gas HDS 12/14 St G	1	PC	
8	4.422-058.0	Pipelines	1	PC	
9	4.421-051.0	Pipelines TR	1	PC	
14	5.394-378.0	Protecting cap TR 22	1	PC	
12	6.686-300.0	Safety thermostat	1	PC	
13	6.686-299.0	Safety thermostat	1	PC	
29	7.303-030.0	Screw M4x8 -St-P2R (In6Rd)	4	PC	
4	6.363-205.0	Seal	1	PC	
7	5.363-360.0	Seal	2	PC	
32	6.389-682.0	T-Hose nozzle 19	1	PC	
22	6.686-531.0	Temperature limiter 94°	1	PC	
18	7.312-166.0	Toothed lock washer A8,4-FSt-A3E DIN 6797	6	PC	
3	5.115-521.0	Washer	4	PC	
10	5.115-375.0	Washer	2	PC	
36	5.115-465.0	Washer	1	PC	
19	7.312-004.0	Washer 8 -200HV-A3E ISO 7089	6	PC	

7 Seal (5.363-360.0)

POS	Article no.	Description	Quantity	Unit
0	5.363-228.0	Joint ring	1	PC

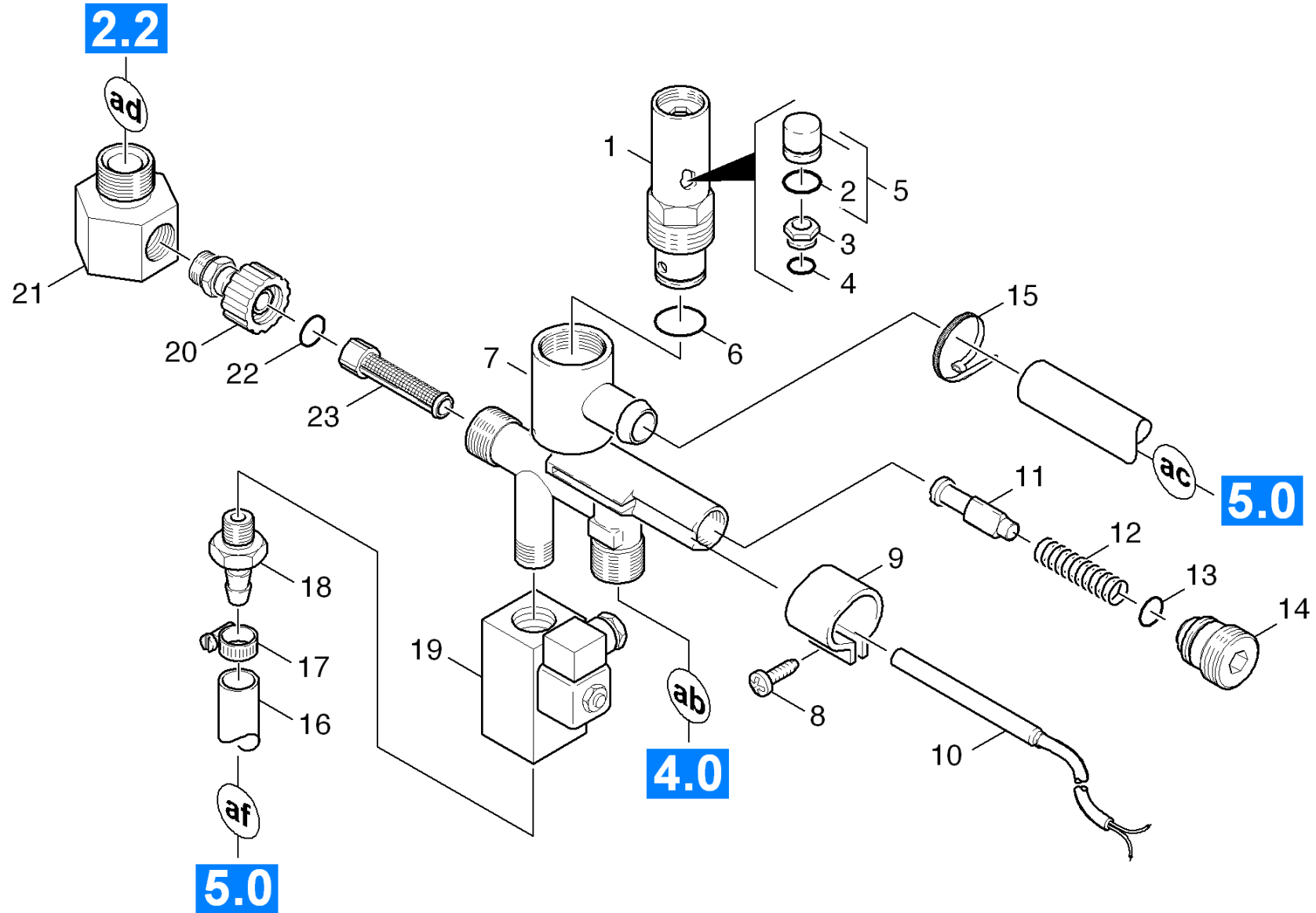


50 Float chest

POS	Article no.	Description	Quantity	Unit	Foot note text
38	6.387-862.0	"Angle A1-1/4""-RG5"	1	PC	
39	6.388-423.0	"Angle bushing 1/4""	1	PC	
19	5.311-157.0	"Hexagon nut 1 1/4""	1	PC	
26	5.310-173.0	"Nut R 3/4""	1	PC	
12	7.316-004.0	Bolt A 3x25 -CuZn ISO 2340	1	PC	
34	6.641-451.0	Cable clamp 5	1	PC	
18	6.641-474.0	Cable tape 8-210	1	PC	
13	7.316-432.0	Cotter 4x50 -St-A2E ISO 1234	1	PC	
9	5.364-095.0	Flat gasket	1	PC	
7	5.585-024.0	Float	1	PC	
43	6.631-846.0	Float regulator	1	PC	
32	7.311-064.0	Hexagon nut M 4-A2-70 ISO 4032	1	PC	
6	7.311-422.0	Hexagon nut M 6-1.4305 ISO 10511	1	PC	
22	6.388-563.0	Hose clip	2	PC	
16	7.373-022.0	Hose clip A-16-27x9 -W2-2 DIN3017	2	PC	
40	7.373-019.0	Hose clip A 10-16x9-W4 DIN3017	1	PC	
41	6.388-247.0	Hose DN8 -PVC	1	m	TO ORDER AS CUT GOODS
17	6.388-719.0	Hose DN17	1	m	
23	6.389-373.0	Hose PVC DN32	1	m	TO ORDER AS CUT GOODS
15	5.443-285.0	Hose stem	1	PC	
25	5.443-224.0	Hose stem	1	ZST	
3	5.481-029.0	Lever	1	PC	
33	6.641-756.0	Locknut PG 7	1	PC	
21	5.409-208.0	Nipple	1	PC	
24	6.362-078.0	O-Ring seal 13,3x2,4	1	PC	
11	5.394-066.0	Protection part	1	PC	
37	7.306-207.0	Screw M4x12 -A2-70 ISO 14583	1	PC	
4	7.303-048.0	Screw M6x20 -St-R3R (In6Rd)	1	PC	
20	6.362-044.0	Seal 1 1/4Z CSM	1	PC	
35	5.050-962.0	Sheet metal component	1	PC	
30	7.303-076.0	Sheet metal screw ST4,8X13 -St-R2R (In6	2	PC	
8	5.587-138.0	Valve housing	1	PC	
10	5.584-026.0	Valve pin	1	PC	

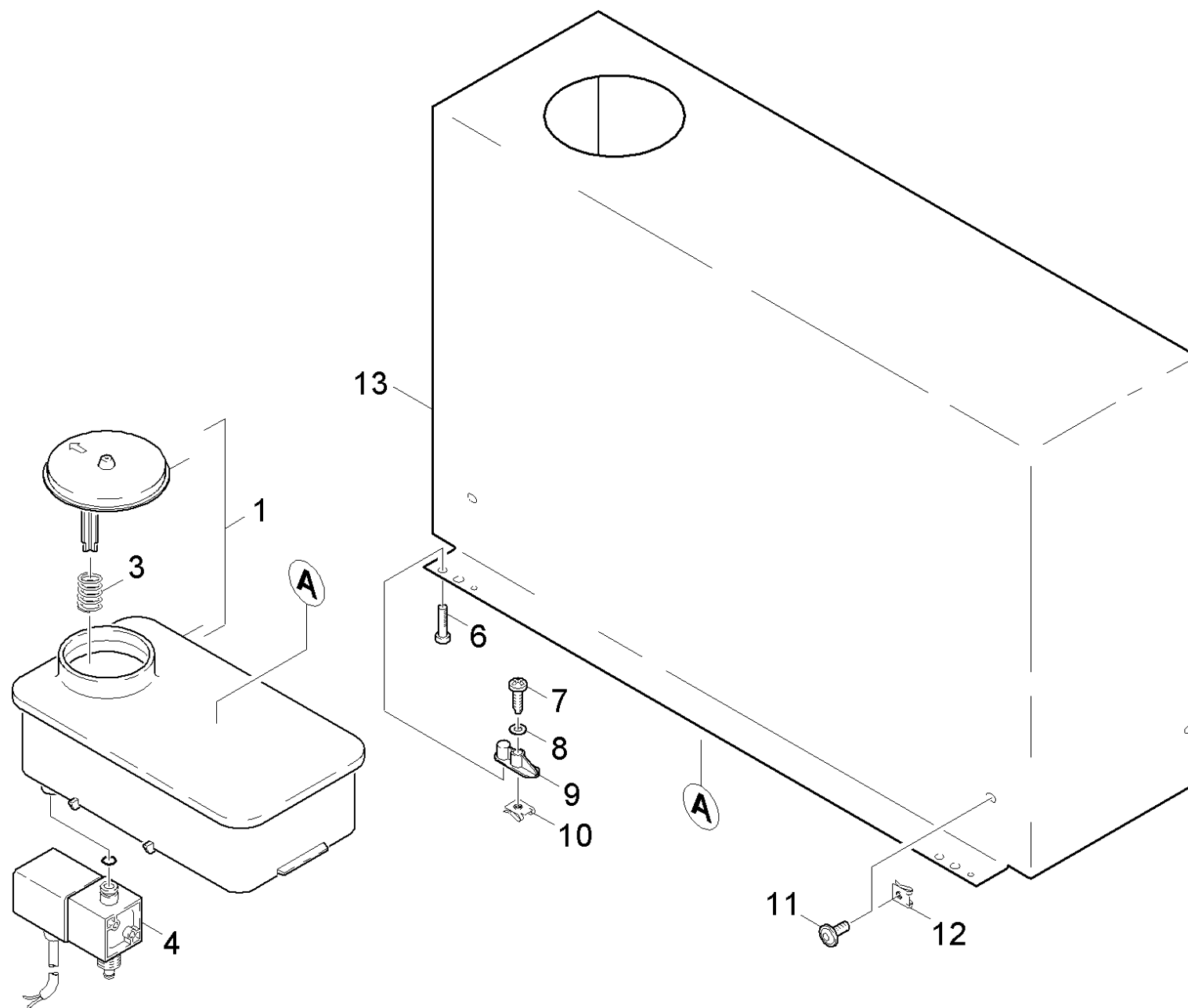
50 Float chest

POS	Article no.	Description	Quantity	Unit	Foot note text
2	5.115-158.0	Washer	1	PC	
31	7.312-042.0	Washer 4-CuZn-E2E DIN 125-1	2	PC	
5	7.312-279.0	Washer 6-CuZn ISO 7093-1	1	PC	
42	7.312-054.0	Washer 12-A2 ISO 7089	1	PC	
28	6.388-924.0	Water hose DN16	1	m	TO ORDER AS CUT GOODS



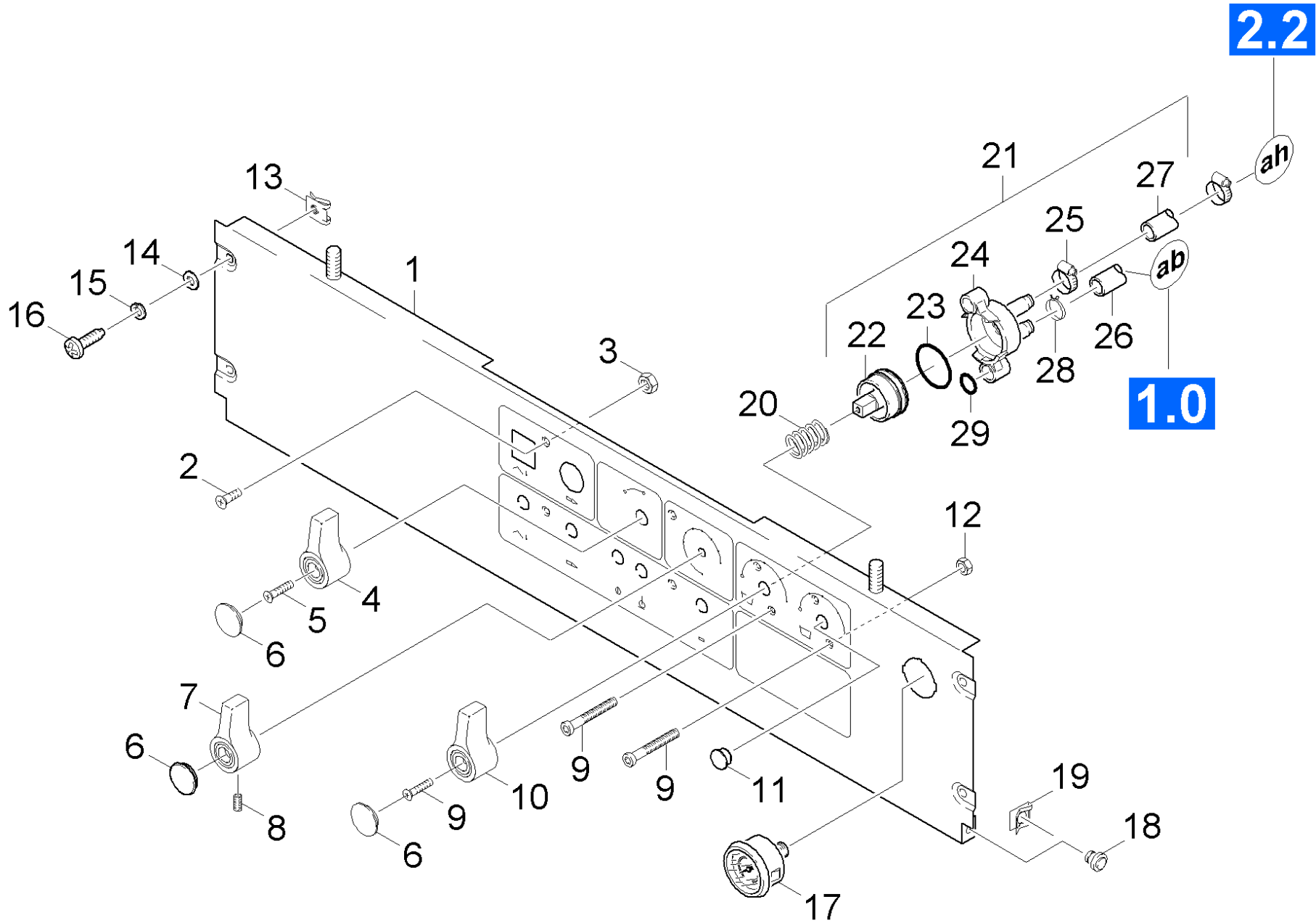
60 Safety system

POS	Article no.	Description	Quantity	Unit	Foot note text
15	6.641-474.0	Cable tape 8-210	1	PC	
9	5.041-076.0	Clamp	1	PC	
12	5.332-057.0	Helical spring	1	PC	
19	6.685-864.0	HIGH PRESSURE VALVE	1	PC	
17	7.373-019.0	Hose clip A 10-16x9-W4 DIN3017	1	PC	
16	6.388-247.0	Hose DN8 -PVC	1	m	TO ORDER AS CUT GOODS
18	6.388-630.0	Hose stem	1	PC	
7	5.061-175.0	Housing	1	PC	
8	6.303-122.0	M4 .2X13 DIN 7981 TORX T15 PAN HD HI/LO	1	PC	
22	6.362-151.0	O-Ring d. 10 x 2 NBR 70	1	PC	
4	6.362-388.0	O-Ring seal 8,0x1,5 -EPDM 70	1	PC	
13	6.362-482.0	O-Ring seal 10 x 1,5-NBR 70	1	PC	
2	6.362-481.0	O-Ring seal 14,0 x 2,0 NBR 80	1	PC	
6	6.362-580.0	O-Ring seal 17,0 X 2,0-NBR 70	1	PC	
11	4.553-022.0	Piston	1	PC	
5	6.412-264.0	Piston with seal	1	PC	
10	2.880-194.0	Reed switch replacement	1	PC	
1	4.412-538.0	Safety valve -nur für Ersatz-	1	PC	
21	5.401-296.0	Screw connector part	1	PC	
20	4.402-024.0	Screw union	1	PC	
14	5.305-162.0	Shaped screw	1	PC	
23	6.414-418.0	Strainer	1	PC	
3	6.412-263.0	Valve seat	1	PC	



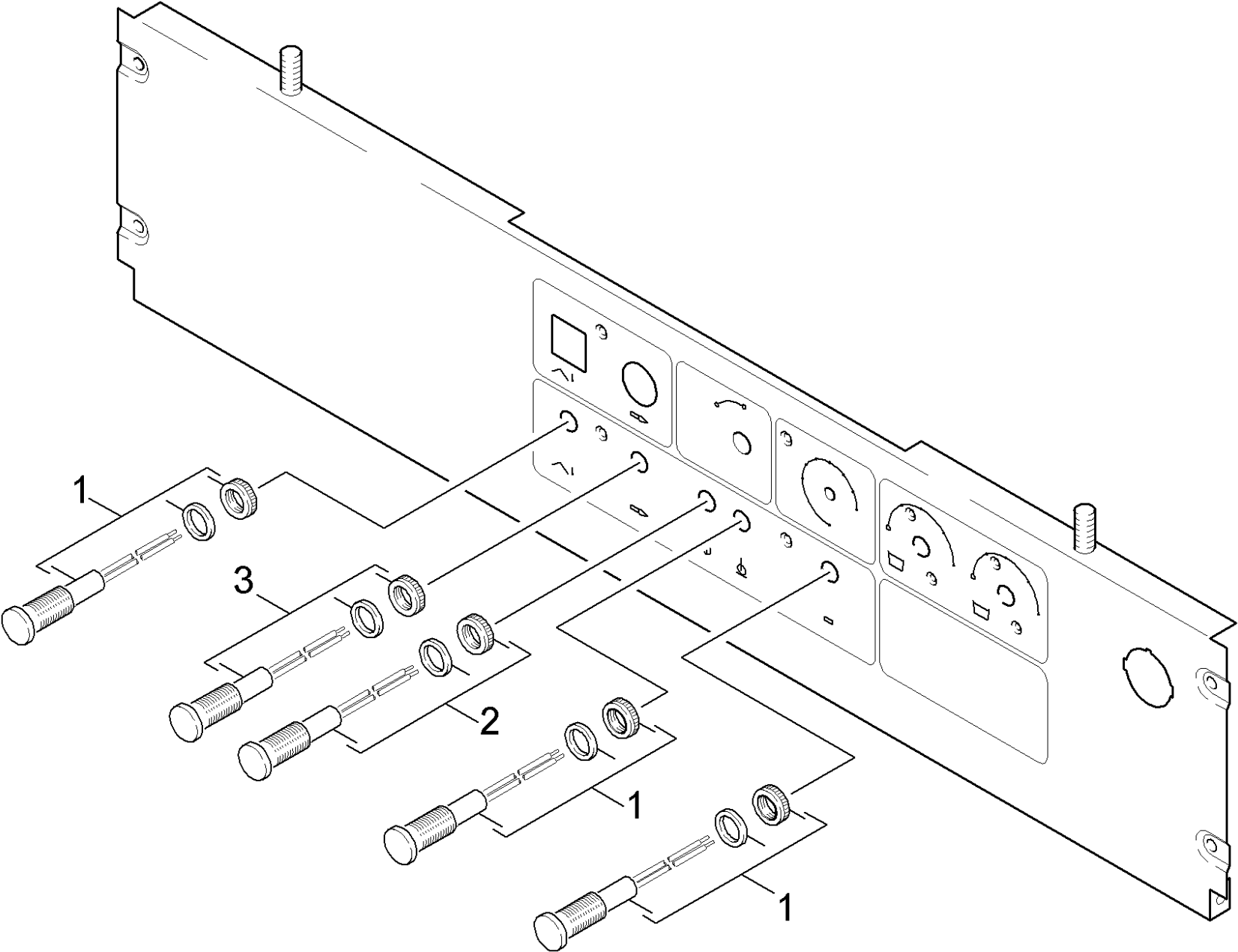
70 Tank

POS	Article no.	Description	Quantity	Unit
3	5.332-001.0	Helical spring	1	PC
11	6.304-153.0	Oval head screw M6x12-A2 aehnl: ISO 738	4	PC
13	5.051-359.0	Panel float chest basalt grey H=483mm	1	PC
12	6.310-082.0	Putting nut M6	4	PC
6	7.303-095.0	Screw 4x12-ST-10.9-R2R (IN6RD)	2	PC
7	7.303-080.0	Sheet metal screw ST4,8X32-ST-P2R-F ISO 14585	2	PC
4	6.685-845.0	Solenoid valve	1	PC
10	6.310-034.0	Speed nut	2	PC
9	5.057-026.0	Support	2	PC
1	4.070-094.0	Tank	1	PC
8	7.312-278.0	Washer 5-200HV-A2E ISO7093-1	2	PC



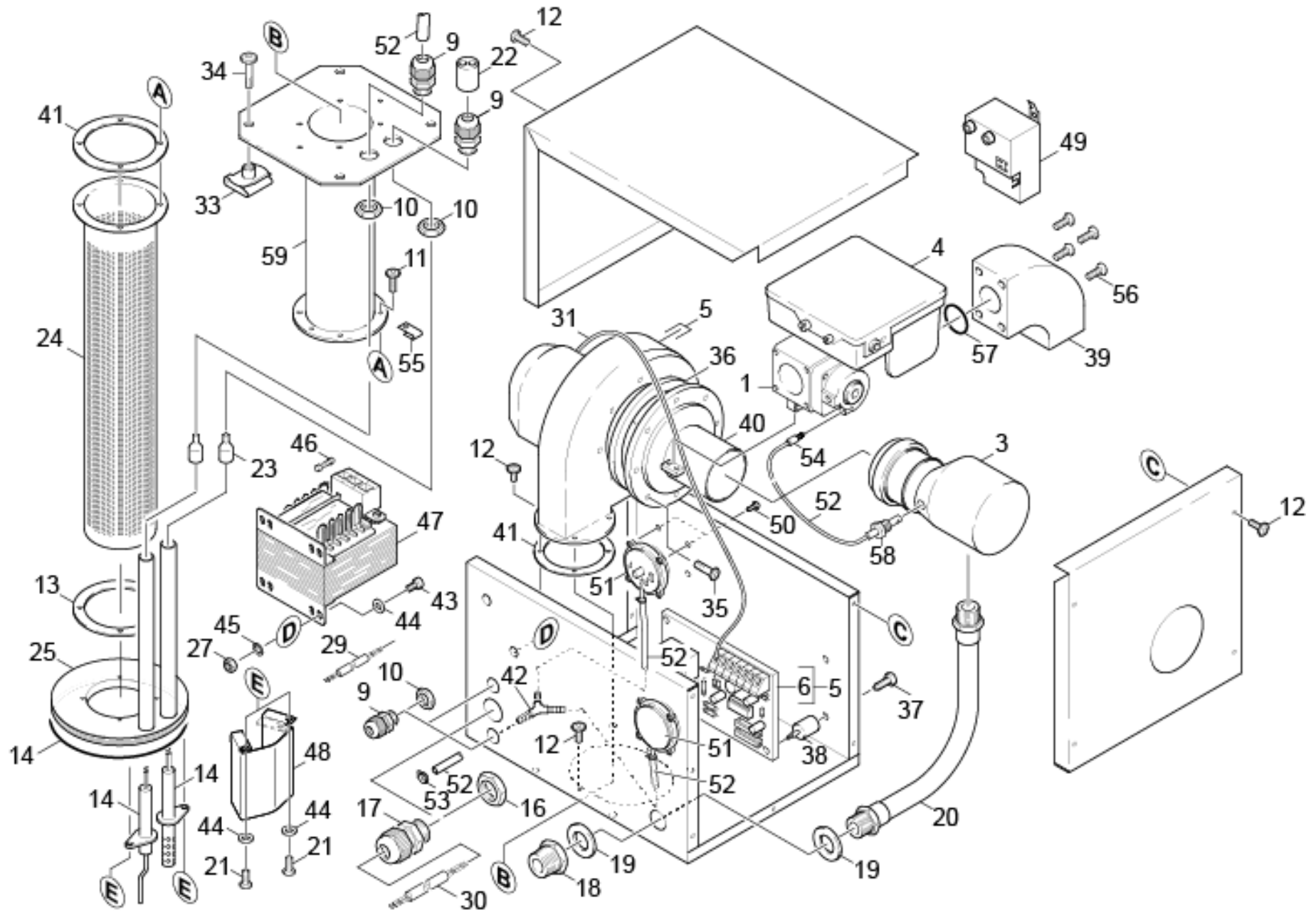
80 Control panel

POS	Article no.	Description	Quantity	Unit	Foot note text
18	6.373-346.0	Bolt	2	PC	
11	6.368-133.0	Cap	1	PC	
1	4.841-312.0	Control panel HDS 12/14-4 ST Gas	1	PC	
9	7.303-125.0	Countersunk screw 4x16 -10.9-R2R (In6Rd)	3	PC	
2	7.305-599.0	Countersunk screw M 5x10-A2-70-sw ISO 7	4	PC	
5	7.306-415.0	Cylinder head screw M3,5x12-4.8-A2E ISO1207	1	PC	
19	6.343-006.0	Fuse	2	PC	
4	5.321-235.0	Handhold	1	PC	
7	5.321-294.0	Handhold	1	PC	
10	5.321-067.0	Handhold	1	PC	
20	5.332-028.0	Helical spring	1	PC	
12	7.311-430.0	Hexagon nut M4-04-A2E DIN 985	2	PC	
3	7.311-421.0	Hexagon nut M 5-04-A2E DIN 985	4	PC	
28	6.388-561.0	Hose clip	1	PC	
25	7.373-019.0	Hose clip A 10-16x9-W4 DIN3017	1	PC	
26	6.388-194.0	Hose DN 7	1	m	TO ORDER AS CUT GOODS
27	6.388-247.0	Hose DN8 -PVC	1	m	TO ORDER AS CUT GOODS
29	6.362-386.0	O-Ring seal 5,0 x 1,5-NBR 80	1	PC	
23	6.362-712.0	O-Ring seal 25,3 X 2,4	1	PC	
6	5.132-010.0	Plug	3	PC	
17	6.421-350.0	Pressure gauge 0-31,5 MPa	1	PC	
30	7.303-035.0	Screw M4x30 -St-R2R (In6Rd)	2	PC	
16	7.303-076.0	Sheet metal screw ST4,8X13 -St-R2R (In6	4	PC	
13	6.310-121.0	Speed nut	4	PC	
15	7.313-002.0	Spring washer B5-FSt-MZN DIN 127	4	PC	
8	7.307-181.0	Threaded pin M5x10-14H-A2E ISO 7434	1	PC	
21	4.580-064.0	Valve	1	PC	
24	5.587-054.0	Valve housing	1	PC	
22	5.581-039.0	Valve seat	1	PC	
14	7.312-052.0	Washer 5 -A2 ISO 7089	4	PC	



90 Pilot lamp

POS	Article no.	Description	Quantity	Unit
2	6.651-220.0	Pilot lamp green	1	PC
1	6.651-184.0	Pilot lamp red	3	PC
3	6.651-223.0	Pilot lamp red	1	PC



100 Burner

POS	Article no.	Description	Quantity	Unit	Foot note text
18	6.387-422.0	"Reducing nipple N4-1""x3/4""-ZN-A EN 1	1	PC	
59	4.663-126.0	Burner tube	1	PC	
29	6.651-327.0	Cable blower nozzle	1	PC	
30	6.651-347.0	Cable gas-firing automat	1	PC	
9	6.648-399.0	Cable gland black M16x1,5	4	PC	
17	6.648-401.0	Cable gland black M25X1,5	1	PC	
31	6.649-403.0	Cable PWM	1	PC	
1	6.525-018.0	Compact unit Gas	1	PC	
58	5.402-657.0	Connection piece	1	PC	
47	6.622-021.0	Control transformer 40VA	1	PC	
51	2.638-961.0	Conversion kit pressure switch air	2	PC	
56	7.306-167.0	Cylinder head screw M 4x40-8.8-A2E DIN	4	PC	
38	6.647-425.0	Distance holder	4	PC	
39	5.122-466.0	Flange connection Gas 3/4"	1	PC	
46	6.644-052.0	Fuse insert slow G-2,0A	1	PC	
4	5.633-306.0	Gas firing automatic	1	PC	
20	6.391-694.0	Gas hose	1	PC	
55	5.041-121.0	Grounding tongue	1	PC	
34	7.304-521.0	Hexagonal head screw M 6x16-A4-70 ISO 4	4	PC	
27	7.311-064.0	Hexagon nut M 4-A2-70 ISO 4032	2	PC	
48	5.044-832.0	Holder	1	PC	
52	6.389-534.0	Hose	1	m	TO ORDER AS CUT GOODS
53	7.373-017.0	Hose clip A-8-12x9 -W4 DIN3017-1	2	PC	
54	6.391-091.0	Hose stem	1	PC	
14	6.526-216.0	Ionization electrode	1	PC	
10	6.648-415.0	Locknut black M16	4	PC	
16	6.648-206.0	Locknut black M25	1	PC	
22	6.648-494.0	Multiple sealing insert M16 2x4	1	PC	
40	6.415-895.0	Nozzle mouthpiece CVI Venturi	1	PC	
57	6.362-168.0	O-Ring seal 22,3 X 2,4-NBR 70	1	PC	
33	6.130-001.0	Putting nut	4	PC	
23	6.641-754.0	RUBBER CAP	2	PC	
21	7.306-205.0	Screw M4x8 -A2-70 ISO 14853	2	PC	

100 Burner

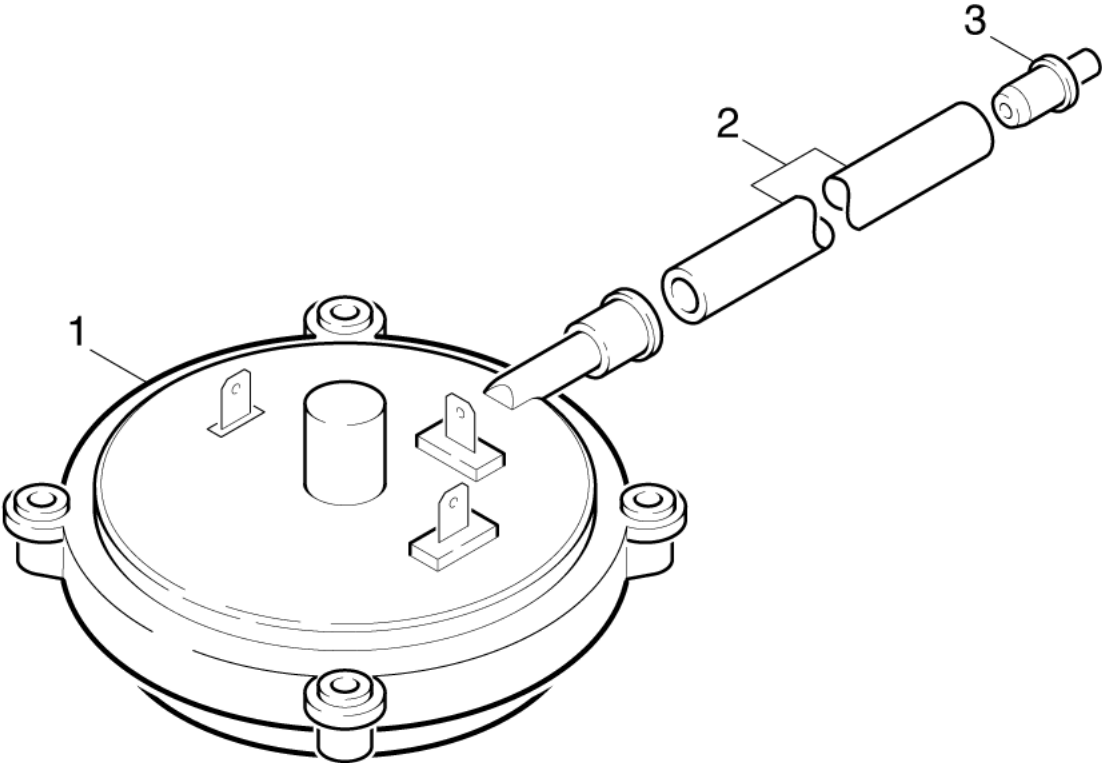
POS	Article no.	Description	Quantity	Unit	Foot note text
43	7.306-205.0	Screw M4x8 -A2-70 ISO 14853	2	PC	
50	7.306-206.0	Screw M4x10 -A2-70 ISO 14583	4	PC	
11	7.306-207.0	Screw M4x12 -A2-70 ISO 14583	4	PC	
12	7.303-032.0	Screw M4x12 -St-R2R (In6Rd)	8	PC	
35	6.303-192.0	Screw M5x12 TX TAPTITE2000	2	PC	
41	6.363-345.0	Seal	1	PC	
13	6.363-347.0	Seal burner HDS 9/16ST	1	PC	
36	6.286-434.0	Seal Venturi (Kork)	1	PC	
6	6.682-673.0	Service electronics gas burner	1	PC	
14	4.100-768.0	Service set burner	1	PC	
	Item text1: successor of 6.618-107.0				
100	6.369-837.0	Set of gaskets assembly kit Venturi	1	PC	SERVICE SET
37	7.303-136.0	Sheet metal screw ST3,5X 6,5-ST-R2R (IN	4	PC	
5	2.642-384.0	Spare part set blower circuit board	1	PC	
14	6.618-107.0	Spark plug	1	PC	
45	7.313-017.0	Spring washer B4-1.4310 DIN 127	2	PC	
49	6.622-260.0	Transformer	1	PC	
3	5.029-650.0	Tube	1	PC	
24	6.525-139.0	Tube burner	1	PC	
25	4.664-087.0	Tube burner complete	1	PC	
44	7.312-067.0	Washer 4 -A2 ISO 7089	4	PC	
19	7.312-025.0	Washer 27-140HV-A2K ISO 7090	1	PC	
42	6.389-225.0	Y-Bushing Y5	1	PC	

51 Conversion kit pressure switch air (2.638-961.0)

POS	Article no.	Description	Quantity	Unit
8	5.958-505.0	Spare parts list pressure switch	1	PC
Item text2: 26389610				

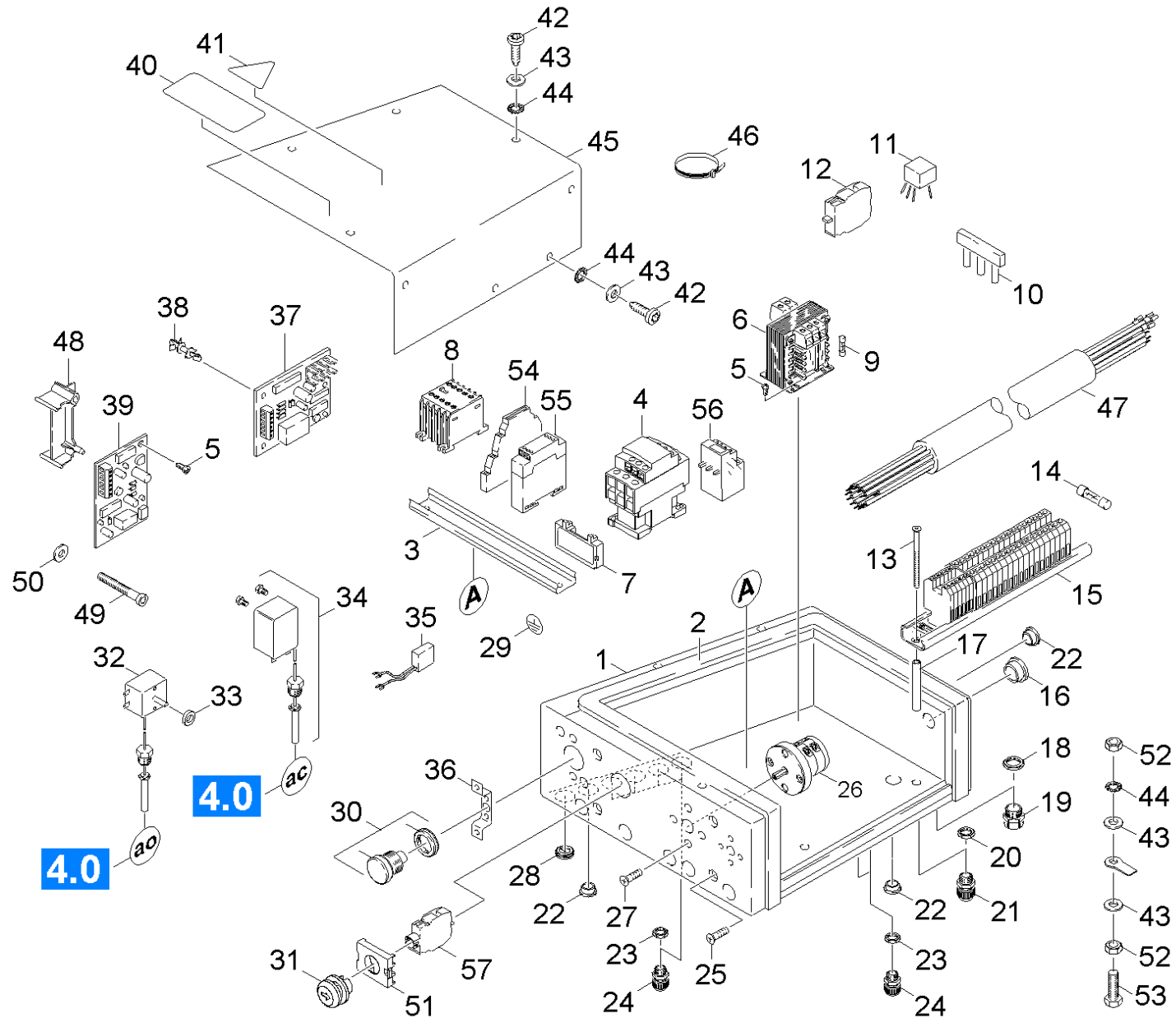
8 Spare parts list pressure switch (5.958-505.0)

POS	Description	Quantity	Unit
10	Conversion kit pressure switch	1	PC



10 Conversion kit pressure switch

POS	Article no.	Description	Quantity	Unit	Foot note text
3	5.409-270.0	Nipple	1	PC	
2	5.442-864.0	Piece of tube	1	PC	TO ORDER AS CUT GOODS
1	7.777-999.0	Stockpiling discontinued	1	PC	

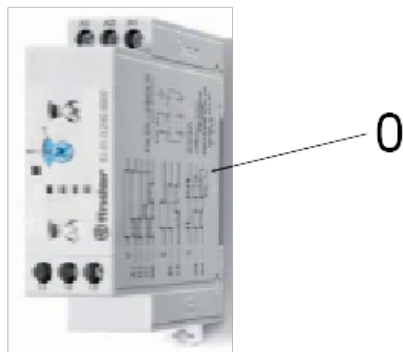


110 Equipment cabinet

POS	Article no.	Description	Quantity	Unit	Foot note text
11	4.828-007.0	Anti-interference filter complete	1	PC	
8	6.632-282.0	Auxiliary contactor 40 GR0	1	PC	
22	6.648-423.0	Blind plug grey M16X1,5	3	PC	
16	6.648-425.0	Blind plug grey M25x1,5	1	PC	
10	6.643-726.0	Brigde only for replacement	1	PC	
24	6.648-398.0	Cable gland black M12x1,5	4	PC	
21	6.648-399.0	Cable gland black M16x1,5	7	PC	
19	6.648-401.0	Cable gland black M25X1,5	3	PC	
46	6.641-463.0	Cable tape	11	PC	
57	6.635-435.0	Contact element S	1	PC	
6	6.622-021.0	Control transformer 40VA	1	PC	
55	2.882-059.0	Conversion kit multifunctional relay	1	PC	
25	7.305-033.0	Countersunk screw M4x6 -A2-70 (In6Rd)	4	PC	
27	7.305-022.0	Countersunk screw M4x12 -4.8-A2E ISO 20	2	PC	
45	5.063-968.0	Cover	1	PC	
30	5.324-073.0	Deblocking button	1	PC	
51	6.651-482.0	Fixed adapter	1	PC	
9	6.644-052.0	Fuse insert slow G-2,0A	1	PC	
14	6.644-146.0	Fuse medium time-lag 6,3A	2	PC	
36	5.042-481.0	Holder	1	PC	
41	5.386-007.0	Label	1	PC	
29	6.643-145.0	Label earthing	1	PC	
38	6.373-482.0	Locking hook	3	PC	
20	6.648-414.0	Locknut black M12	4	PC	
18	6.648-415.0	Locknut black M16	10	PC	
23	6.648-206.0	Locknut black M25	4	PC	
3	7.233-313.0	Mounting rail TH 35-7,5 -ST-ZE EN 60715	1	m	
56	6.633-481.0	Overload relay	1	PC	
4	6.632-334.0	Power contactor LC1 D32 B7	1	PC	
28	5.365-109.0	Profile gasket	1	PC	
39	4.633-058.0	Pulse generator only for replacement	1	PC	
31	6.651-487.0	Push button black M22-D-S	1	PC	
54	6.633-665.0	Relay 1W 24VAC/DC 6mm	2	PC	

110 Equipment cabinet

POS	Article no.	Description	Quantity	Unit	Foot note text
7	6.632-351.0	Resistor	1	PC	
35	6.632-275.0	Resistor	1	PC	
5	7.303-030.0	Screw M4x8 -St-P2R (In6Rd)	4	PC	
49	7.303-035.0	Screw M4x30 -St-R2R (In6Rd)	1	PC	
42	6.303-192.0	Screw M5x12 TX TAPTITE2000	7	PC	
53	7.306-079.0	Screw M5x25 -8.8-P2R (In6Rd)	1	PC	
13	7.303-045.0	Screw M5x55 -St-ZNBHL (In6Rd)	2	PC	
2	6.273-042.0	Sealing tape 19x4	1	m	TO ORDER AS CUT GOODS
1	5.049-651.0	Sheet metal component	1	PC	
12	7.777-999.0	Stockpiling discontinued	1	PC	
47	7.777-999.0	Stockpiling discontinued	1	PC	
50	7.777-999.0	Stockpiling discontinued	1	PC	
15	6.643-802.0	Strip terminal	1	PC	
48	5.057-043.0	Support	1	PC	
26	6.631-081.0	Switch	1	PC	
34	6.686-627.0	Temperature limiter	1	PC	
32	6.685-716.0	Thermostat	1	PC	
37	6.631-538.0	Timer module	1	PC	
44	7.312-172.0	Toothed lock washer A5,3-FSt-A3E DIN 6797	8	PC	
17	5.025-727.0	Tube	2	PC	
40	5.386-008.0	Warning sign	1	PC	
43	7.312-002.0	Washer 5 -200HV-A3E ISO 7089	9	PC	
33	6.362-254.0	Washer 12X5X2,0	1	PC	
52	7.312-065.0	Washer 22 -A2 ISO 7089	2	PC	

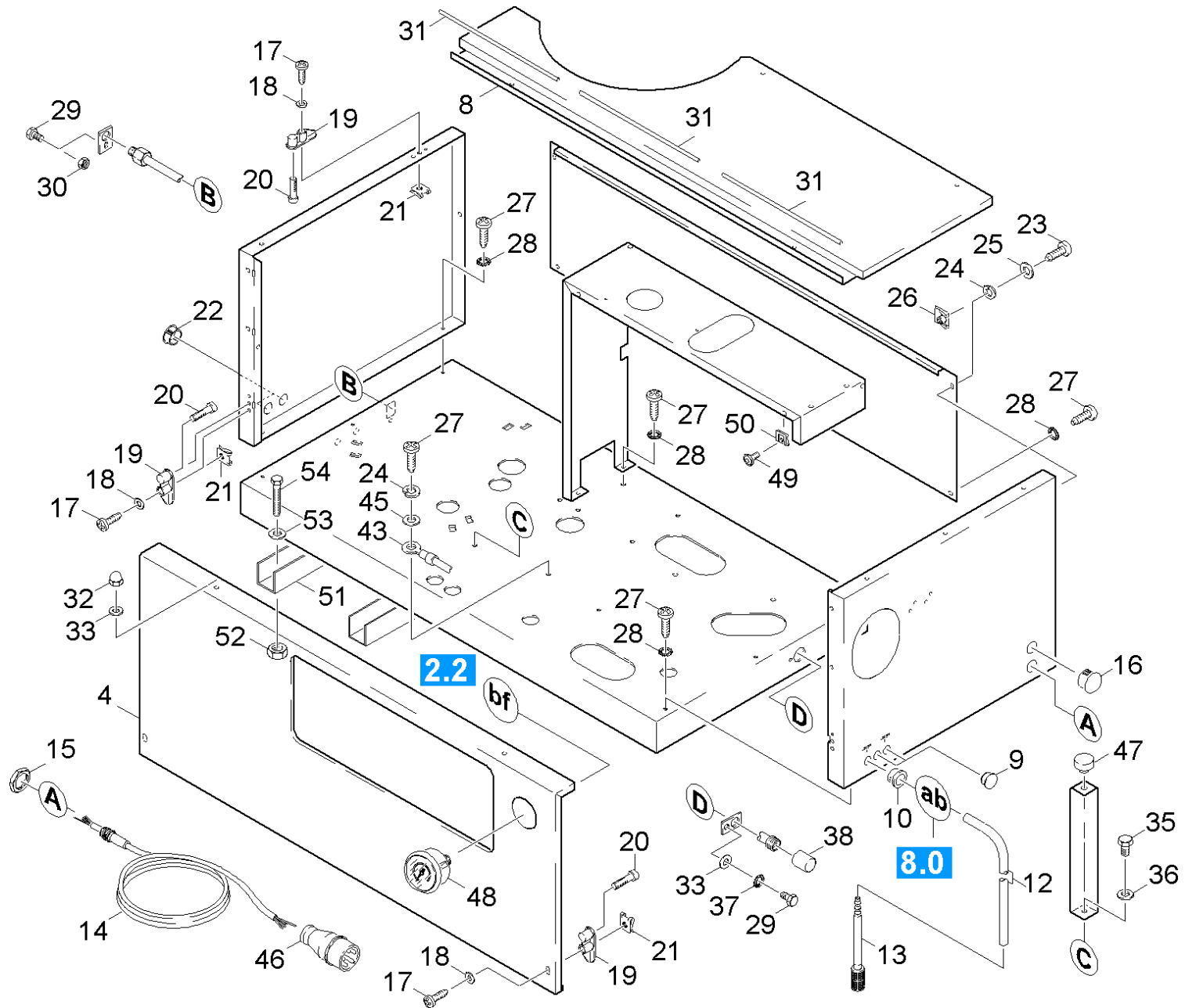


55 Conversion kit multifunctional relay (2.882-059.0)

POS	Description	Quantity	Unit	Remark
0	Component for orientation only	1	PC	see MA 0.083-936.0

7 Spare parts list TR HDS 12/14 - 4 ST Ga (5.974-436.0)

POS	Description	Quantity	Unit
100	Burner	1	PC
80	Control panel	1	PC
110	Equipment cabinet	1	PC
50	Float chest	1	PC
40	Flow heater	1	PC
10	Individual parts	1	PC
30	Motor	1	PC
90	Pilot lamp	1	PC
20	Pump set	1	PC
60	Safety system	1	PC
70	Tank	1	PC



10 Individual parts

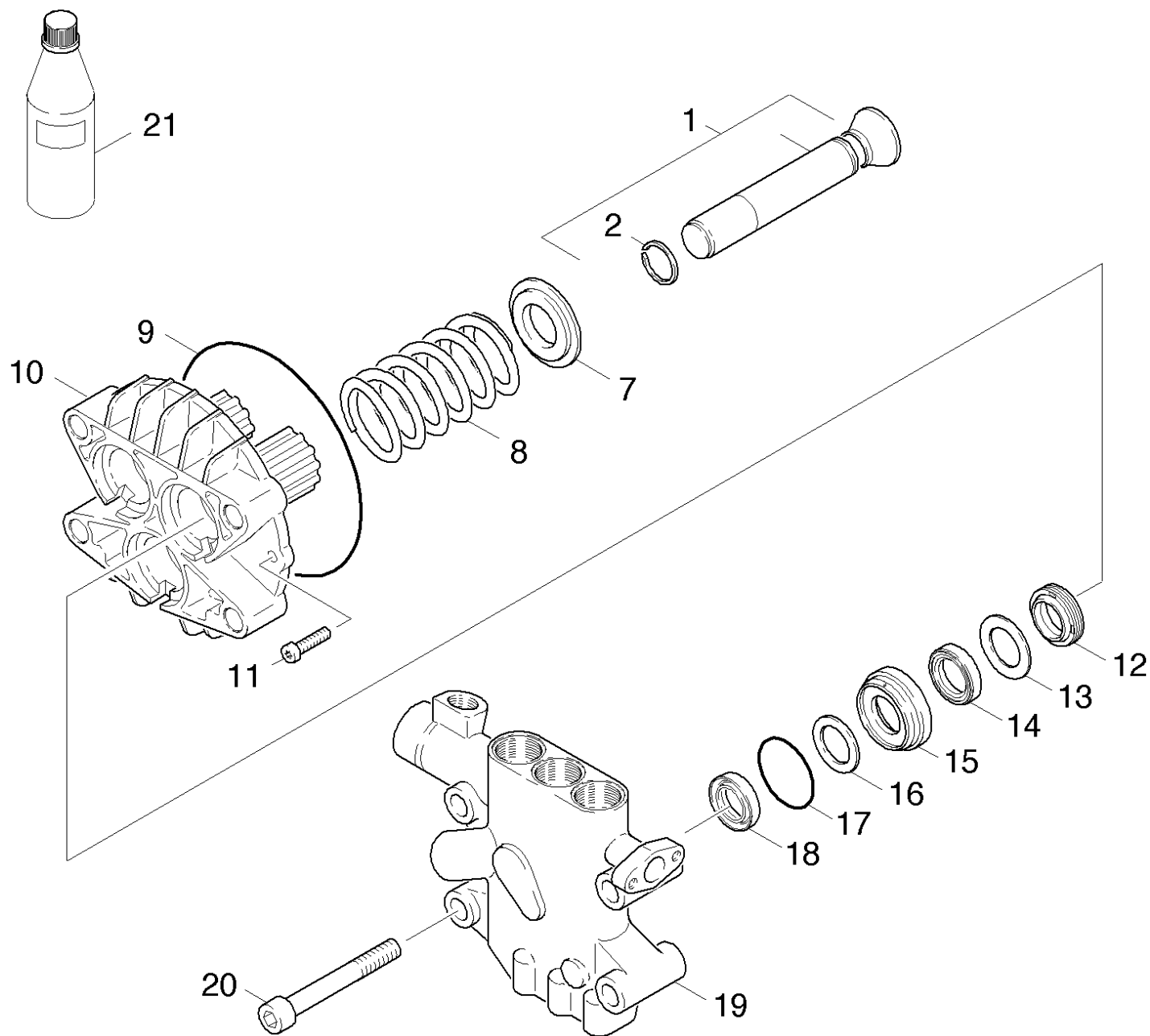
POS	Article no.	Description	Quantity	Unit	Foot note text
51	5.017-819.0	Angle boiler Gas 9/16	2	PC	
14	4.822-147.0	Cable	1	PC	
43	4.822-148.0	Cable green/yellow 2,5mm ² x600mm	1	PC	
9	6.368-099.0	Cap	2	PC	
22	6.368-079.0	Cap	2	PC	
32	7.311-380.0	Cap nut M6 -6-A2E DIN 1587	2	PC	
13	6.414-136.0	Filter	1	PC	
29	7.304-382.0	Hexagonal head screw M 6x12-8.8-A2E ISO	2	PC	
54	7.304-538.0	Hexagonal head screw M8x16-A4-70 ISO 40	4	PC	
30	7.311-425.0	Hexagon nut M6-04-A2E DIN 985	1	PC	
52	7.311-068.0	Hexagon nut M 8-A2-70 ISO 4032	4	PC	
11	6.388-194.0	Hose DN 7	1	m	TO ORDER AS CUT GOODS
15	6.648-409.0	Locknut grey M25	1	PC	
49	6.304-153.0	Oval head screw M6x12-A2 aeahl: ISO 738	2	PC	
4	5.065-740.0	Panel basalt grey	1	PC	
8	5.065-739.0	Panel basalt grey	1	PC	
46	6.646-044.0	Plug CEE-32 A	1	PC	
48	6.421-350.0	Pressure gauge 0-31,5 MPa	1	PC	
38	6.368-071.0	Protecting cap 3/4 Z	1	PC	
16	6.368-028.0	Protecting cap 26,5	1	PC	
31	5.394-164.0	Protection part	3	PC	
50	6.310-082.0	Putting nut M6	2	PC	
47	6.339-022.0	Rubber buffer	1	PC	
20	7.303-095.0	Screw 4x12-ST-10.9-R2R (IN6RD)	3	PC	
27	6.303-192.0	Screw M5x12 TX TAPTITE2000	9	PC	
35	6.303-035.0	Screw M8x12-ST-A2E DIN 7500-1	2	PC	
23	7.303-076.0	Sheet metal screw ST4,8X13 -St-R2R (In6	2	PC	
17	7.303-080.0	Sheet metal screw ST4,8X32-ST-P2R-F ISO 14585	3	PC	
21	6.310-034.0	Speed nut	3	PC	
26	6.310-121.0	Speed nut	2	PC	
24	7.313-002.0	Spring washer B5-FSt-MZN DIN 127	3	PC	
19	5.057-026.0	Support	3	PC	
28	7.312-172.0	Toothed lock washer A5,3-FSt-A3E DIN 6797	12	PC	

10 Individual parts

POS	Article no.	Description	Quantity	Unit	Foot note text
37	7.312-167.0	Toothed lock washer A6,4-FSt-A3E DIN 6797	1	PC	
36	7.312-166.0	Toothed lock washer A8,4-FSt-A3E DIN 6797	3	PC	
12	5.025-747.0	Tube	1	PC	
45	7.312-002.0	Washer 5 -200HV-A3E ISO 7089	1	PC	
25	7.312-052.0	Washer 5 -A2 ISO 7089	2	PC	
18	7.312-278.0	Washer 5-200HV-A2E ISO7093-1	3	PC	
33	7.312-003.0	Washer 6 -200HV-A3E ISO 7089	3	PC	
53	7.312-017.0	Washer 8-A2 ISO 7089	4	PC	
10	6.641-494.0	Wire protecting sleeve	1	PC	

20 Pump set

POS	Description	Quantity	Unit
23	Delivery side	1	PC
21	Piston	1	PC
24	Pressure switch	1	PC
22	Suction side	1	PC



21 Piston

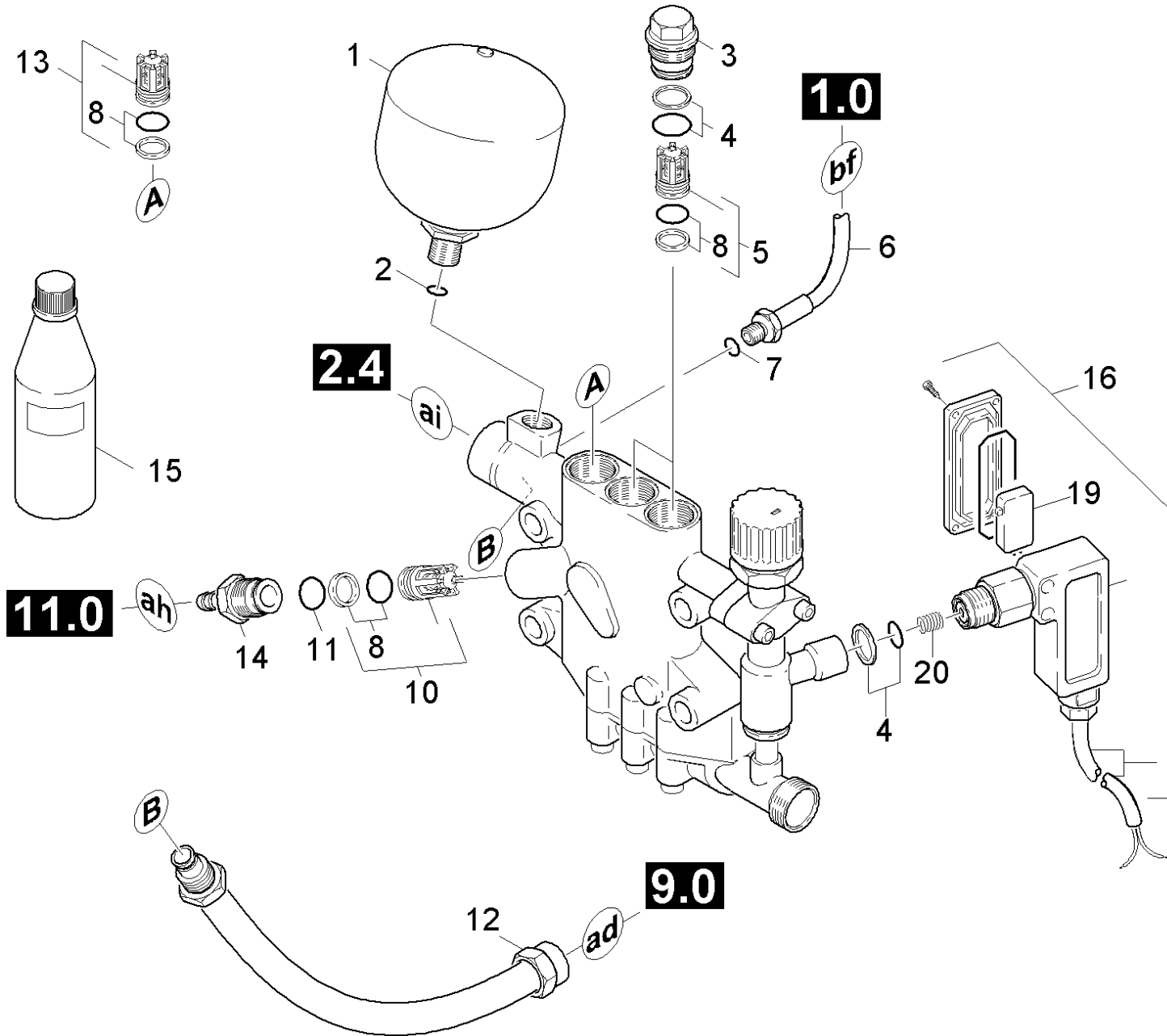
POS	Article no.	Description	Quantity	Unit
15	5.112-414.3	Bush	3	PC
14	6.365-056.0	Compact seal 22X32X6	3	PC
19	5.550-172.0	Cylinder head	1	PC
20	7.306-155.0	Cylinder head screw M12x100 -8.8-A3E IS	4	PC
21	6.288-016.0	Gear oil 1L	1	PC
18	6.365-055.0	Grooved ring 22x30x5	3	PC
12	6.365-059.0	Grooved ring 22X30X6/8	3	PC
8	5.332-281.0	Helical spring	3	PC
10	5.060-397.3	Housing	1	PC
17	6.362-092.0	O-Ring seal 36,0 X 2,0-NBR 70	3	PC
9	6.362-796.0	O-Ring seal 107,62X 2,62	1	PC
1	4.553-283.0	Piston complete only for replacement	3	PC
1	4.553-283.3	Piston complete only for replacement	3	PC
	Item text1: successor of 4.553-283.0			
100	2.883-302.0	Pump set	1	PC
11	7.306-105.0	Screw M6x30 -8.8-R3R (In6Rd)	2	PC
2	6.343-142.0	Snap ring WR 22	3	PC
7	5.115-522.0	Washer	3	PC
13	5.115-520.0	Washer	3	PC
16	5.115-521.0	Washer	3	PC

1 Piston complete only for replacement (4.553-283.0)

POS	Article no.	Description	Quantity	Unit
7	6.288-016.0	Gear oil 1L	1	PC
6	6.376-036.0	Label spare parts neutrally 65x55 MM	1	ZST
2	5.560-022.0	Slide of a press	1	PC
5	6.591-052.0	Sliding collar 35, 120-200mm	1	PC
3	6.343-142.0	Snap ring WR 22	1	PC

100 Pump set (2.883-302.0)

POS	Article no.	Description	Quantity	Unit
150	6.365-056.0	Compact seal 22X32X6	3	PC
140	6.365-055.0	Grooved ring 22x30x5	3	PC
160	6.365-059.0	Grooved ring 22X30X6/8	3	PC
120	6.362-703.0	O-Ring seal 6,0x1,5-NBR 70	1	PC
130	6.362-797.0	O-Ring seal 9,0 X 2,0	1	PC
80	6.362-482.0	O-Ring seal 10 x 1,5-NBR 70	1	PC
70	6.362-481.0	O-Ring seal 14,0 x 2,0 NBR 80	1	PC
50	6.362-153.0	O-Ring seal 15,3 X 2,4-NBR 70	2	PC
110	6.362-547.0	O-Ring seal 20,0x1,5-NBR 70	1	PC
90	6.363-607.0	O-Ring seal 34,65 x 1,78 -NBR70	3	PC
100	6.362-500.0	O-Ring seal complete /1ST.-R.	4	PC
60	6.362-467.0	O-Ring seal complete 1ST.-R.	1	PC
10	2.884-906.0	TRIPLE VALVE	2	PC
20	2.884-903.0	Valve (2 Stück)	1	PC
30	4.580-237.0	Valve complete	1	PC
40	5.115-521.0	Washer	3	PC

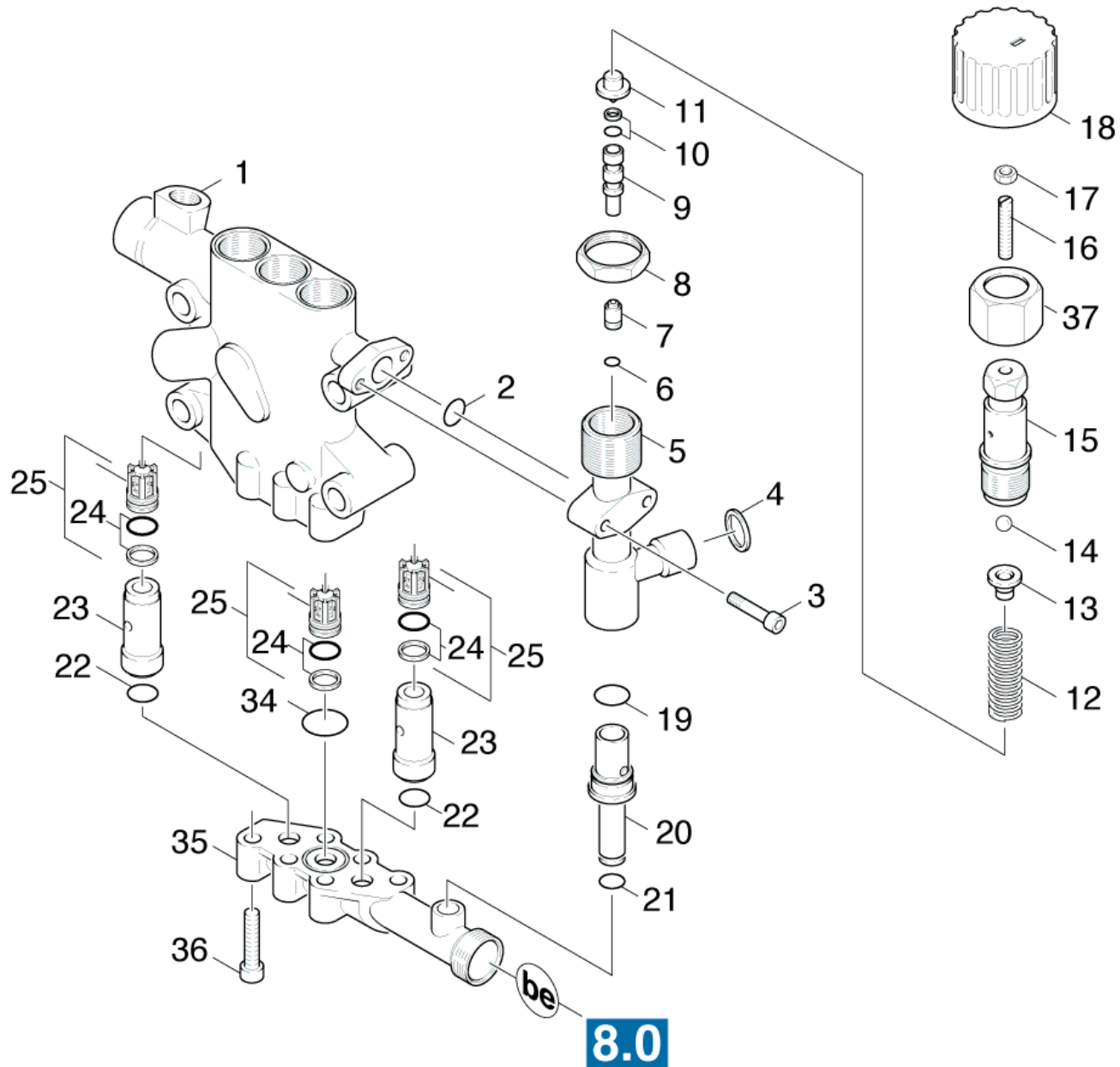


22 Suction side

POS	Article no.	Description	Quantity	Unit	Foot note text
12	6.391-596.0	High pressure hose DN 13	1	PC	
6	6.389-635.0	High pressure hose pressure gauge	1	PC	
14	5.443-336.0	Hose stem	1	PC	
7	7.362-003.0	Joint ring A10x13,5 -Cu DIN 7603	1	PC	
2	6.362-176.0	O-Ring seal 6,07x1,78	1	PC	
11	6.362-481.0	O-Ring seal 14,0 x 2,0 NBR 80	1	PC	
4	6.362-500.0	O-Ring seal complete /1ST.-R.	4	PC	
8	4.363-693.0	O-Ring seal kpl. -nur fuer Ersatz-	3	PC	
20	6.330-202.0	Pressure spring 8 bar	1	PC	
16	6.630-050.0	Pressure switch	1	PC	
1	6.505-040.0	Pulsation damper	1	PC	
19	6.631-792.0	Switch	1	PC	
5	2.884-906.0	TRIPLE VALVE	2	PC	SET WITH 3 PIECES
10	2.884-903.0	Valve (2 Stück)	1	PC	SET OF 2 PIECES
13	4.580-237.0	Valve complete	1	PC	
3	5.583-125.0	Valve screw	3	PC	

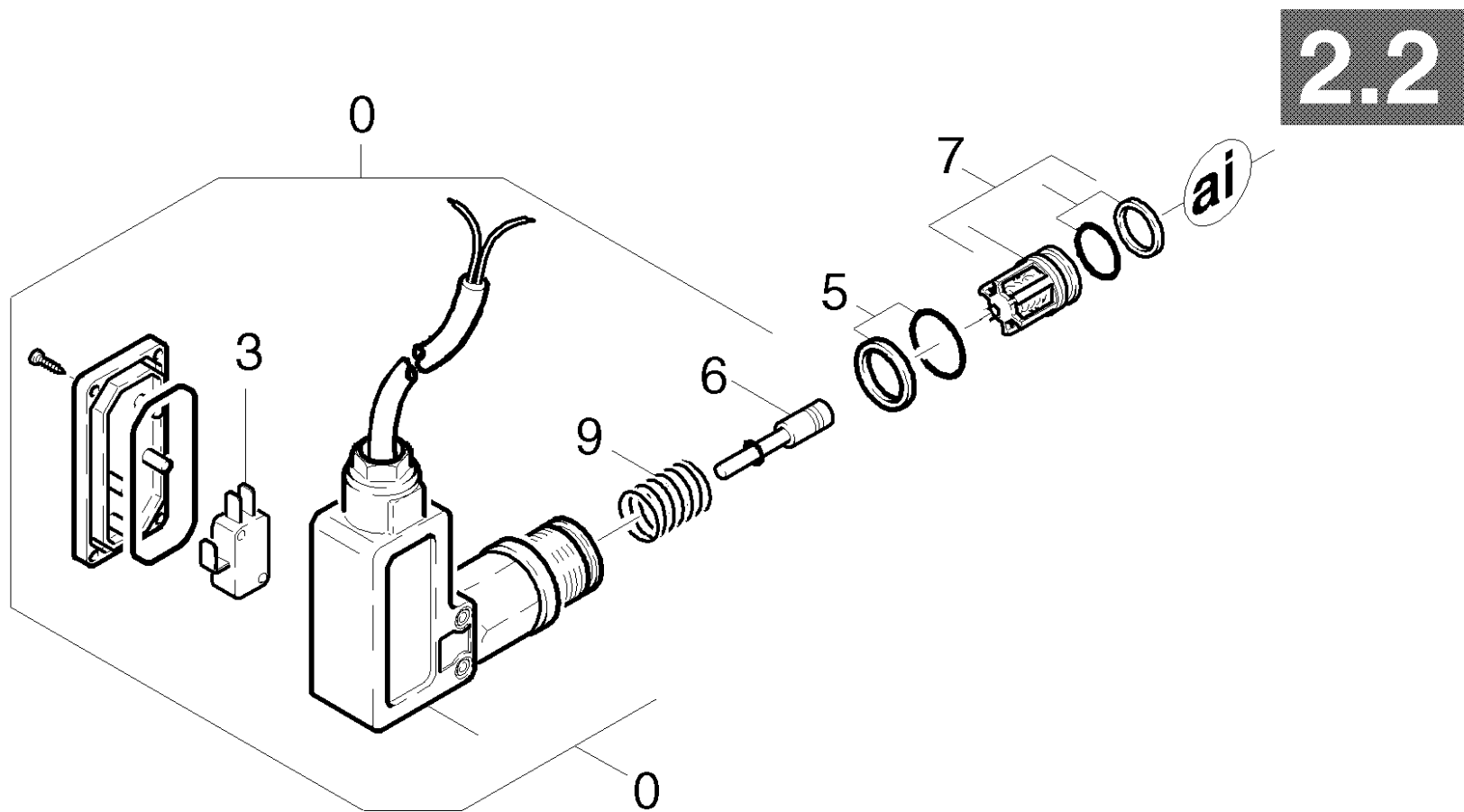
16 Pressure switch (6.630-050.0)

POS	Article no.	Description	Quantity	Unit
999	6.330-202.0	Pressure spring 8 bar	1	PC



23 Delivery side

POS	Article no.	Description	Quantity	Unit
20	5.402-535.0	Connection piece	1	PC
1	5.550-172.0	Cylinder head	1	PC
36	7.306-044.0	Cylinder head screw M8x35 -8.8-A2E ISO4	6	PC
18	5.321-406.0	Handhold	1	PC
12	5.332-285.0	Helical spring	1	PC
15	5.304-061.0	Hexagonal head screw	1	PC
37	5.311-164.0	Hexagon nut	1	PC
17	7.311-003.0	Hexagon nut M6 -8-A2E ISO 4032	1	PC
8	5.311-165.0	Hexagon nut M30x1,5	1	PC
5	5.060-424.0	Housing	1	PC
4	2.880-154.0	O-Ring kit	1	PC
6	6.362-703.0	O-Ring seal 6,0x1,5-NBR 70	1	PC
21	6.362-797.0	O-Ring seal 9,0 X 2,0	1	PC
2	6.362-482.0	O-Ring seal 10 x 1,5-NBR 70	1	PC
22	6.362-153.0	O-Ring seal 15,3 X 2,4-NBR 70	2	PC
19	6.362-534.0	O-Ring seal 18,0 X 2,0-NBR 70	1	PC
34	6.362-547.0	O-Ring seal 20,0x1,5-NBR 70	1	PC
10	6.363-115.0	O-Ring seal complete 1ST.-R.	1	PC
24	4.363-693.0	O-Ring seal kpl. -nur fuer Ersatz-	3	PC
9	5.553-431.0	Piston	1	PC
3	7.306-105.0	Screw M6x30 -8.8-R3R (In6Rd)	2	PC
23	5.110-518.0	Sleeve	2	PC
14	7.401-918.0	Sphere 6 G300 -1.4301 DIN 5401	1	PC
16	7.307-418.0	Threaded pin M6x35 -St-45H-A2E ISO 4026	1	PC
25	2.884-906.0	TRIPLE VALVE	2	PC
13	5.582-103.0	Valve disc	1	PC
35	5.587-141.0	Valve housing	1	PC
11	5.584-077.0	Valve pin	1	PC
7	5.581-143.0	Valve seat	1	PC



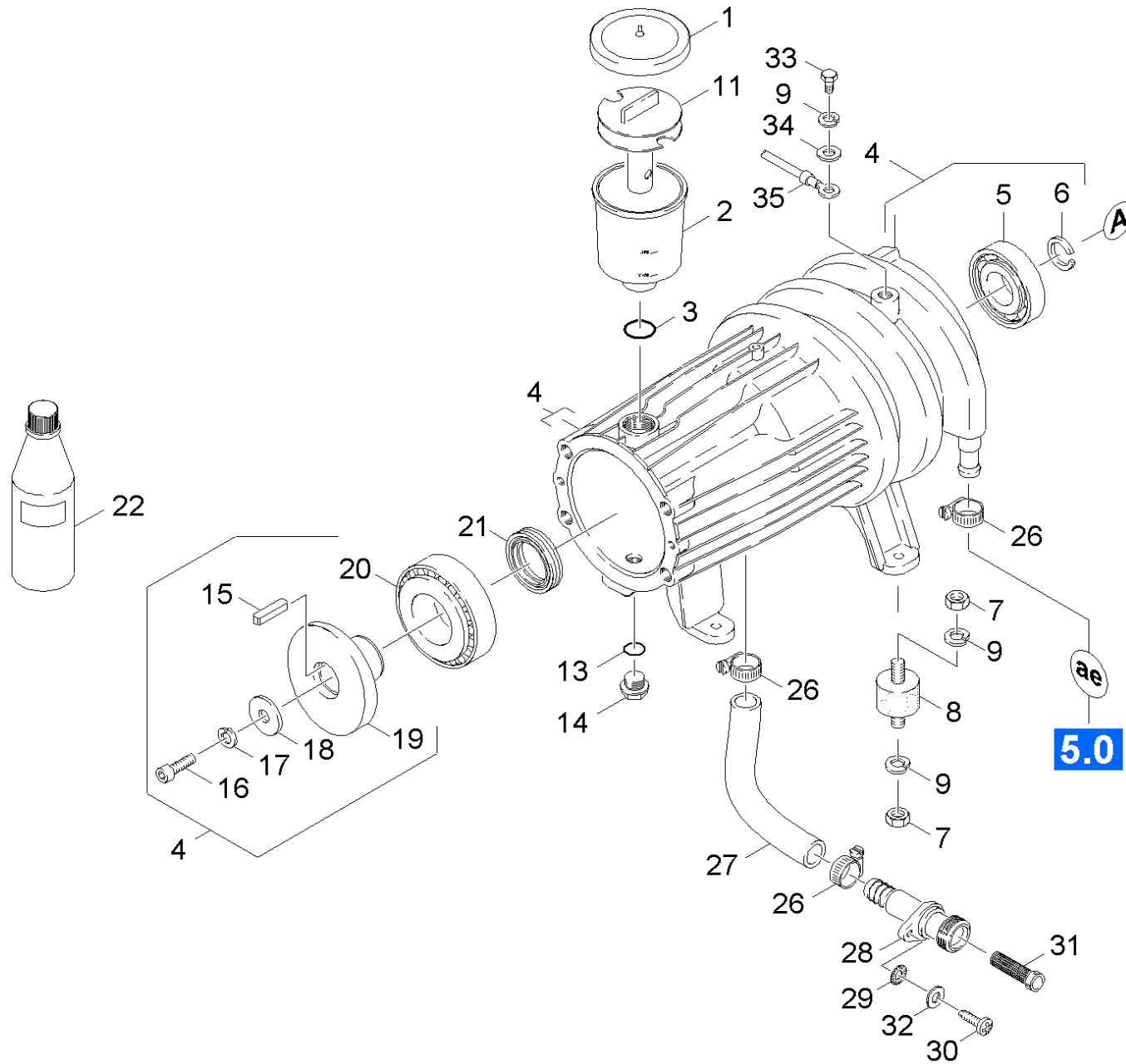
2.2

24 Pressure switch

POS	Article no.	Description	Quantity	Unit
5	6.362-500.0	O-Ring seal complete /1ST.-R.	1	PC
6	6.630-038.0	Piston complete	1	PC
9	6.330-204.0	Pressure spring 30 bar	1	PC
0	6.630-111.0	Pressure switch	1	PC
3	6.631-792.0	Switch	1	PC
7	2.884-903.0	Valve (2 Stück)	1	PC

Pressure switch (6.630-111.0)

POS	Article no.	Description	Quantity	Unit
999	6.330-204.0	Pressure spring 30 bar	1	PC

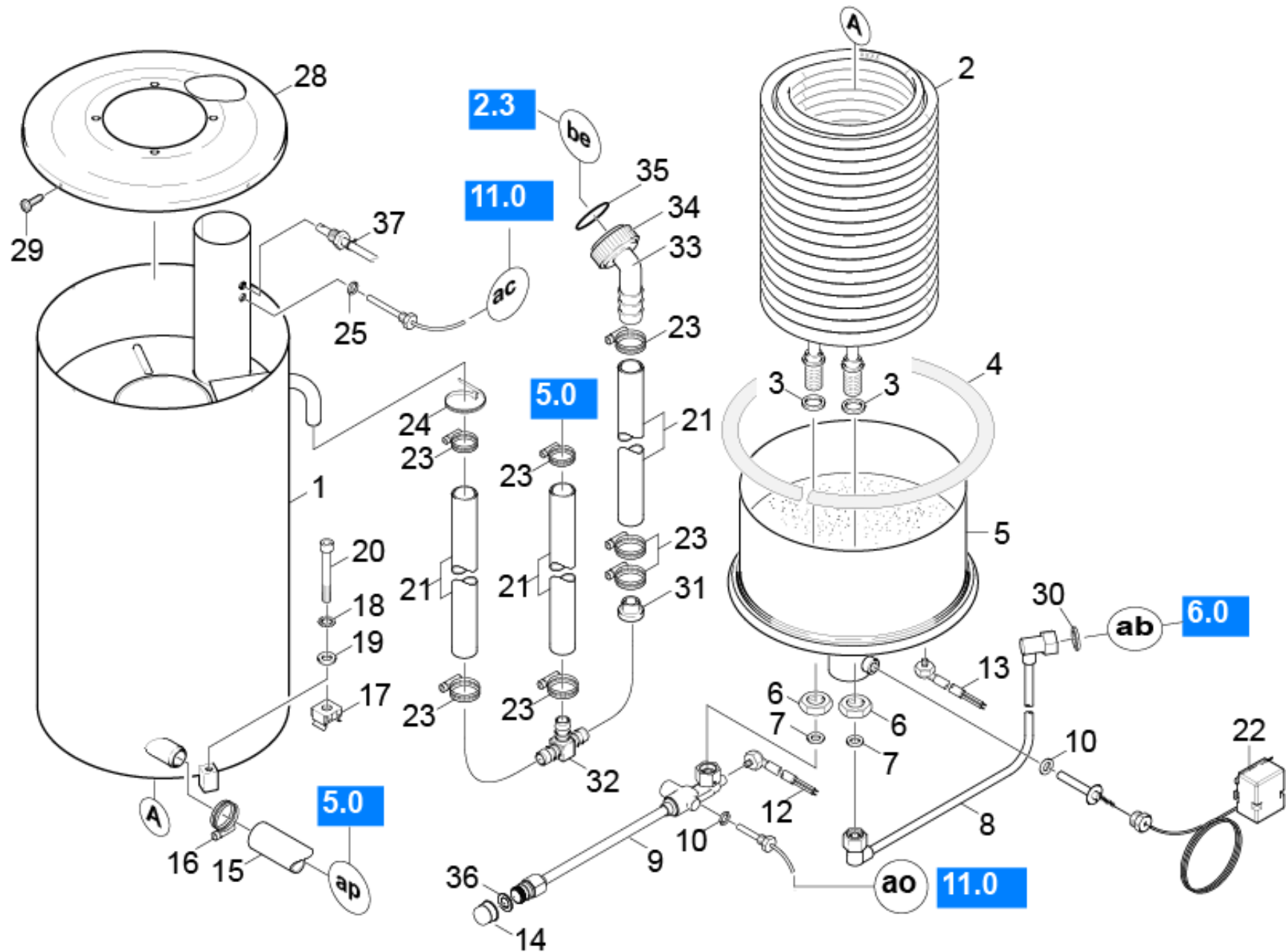


30 Motor

POS	Article no.	Description	Quantity	Unit
5	6.401-253.0	Ball bearing 6305-2Z	1	PC
2	5.070-048.0	Box	1	PC
35	4.820-249.0	Cable green/yellow 2,5mm ² x600mm	1	PC
1	5.064-459.0	Cover grey	1	PC
16	7.306-041.0	Cylinder head screw M8x20 -8.8-A2E ISO	1	PC
22	6.288-016.0	Gear oil 1L	1	PC
7	7.311-004.0	Hexagon nut M8 -8-A3E ISO 4032	8	PC
26	7.373-022.0	Hose clip A-16-27x9 -W2-2 DIN3017	3	PC
6	7.343-008.0	Locking ring 25x1,2-St-vz DIN 471	1	PC
28	5.427-123.0	Manifold	1	PC
4	4.623-211.0	Motor complete	1	PC
11	5.030-389.0	Moulded part	1	PC
13	6.363-273.0	O-Ring seal 11,0 x 2,0	1	PC
3	6.362-168.0	O-Ring seal 22,3 X 2,4-NBR 70	1	PC
15	7.318-035.0	Parallel key 8x7x25 -C45K DIN 6885-1	1	PC
27	5.442-594.0	Piece of tube	1	PC
21	7.367-009.0	Radial shaft seal ring A35x52x7-NBR DIN	1	PC
8	6.339-060.0	Rubber buffer M8	4	PC
30	7.303-048.0	Screw M6x20 -St-R3R (In6Rd)	1	PC
33	6.303-035.0	Screw M8x12-ST-A2E DIN 7500-1	1	PC
14	5.411-100.0	Screw plug	1	PC
9	7.313-004.0	Spring washer B8-FSt-A3E DIN 127	8	PC
31	6.414-282.0	Strainer	1	PC
20	6.401-225.3	Taper roller bearing 41	1	PC
29	7.312-167.0	Toothed lock washer A6,4-FSt-A3E DIN 6797	1	PC
17	7.312-166.0	Toothed lock washer A8,4-FSt-A3E DIN 6797	1	PC
18	5.115-565.0	Washer	1	PC
32	7.312-003.0	Washer 6 -200HV-A3E ISO 7089	1	PC
34	7.312-004.0	Washer 8 -200HV-A3E ISO 7089	1	PC
19	5.120-235.3	Wobble plate	1	PC

19 Wobble plate (5.120-235.3)

POS	Article no.	Description	Quantity	Unit
4	6.376-036.0	Label spare parts neutrally 65x55 MM	1	ZST
2	6.590-355.0	LDPE bag 130x140 mm	1	PC

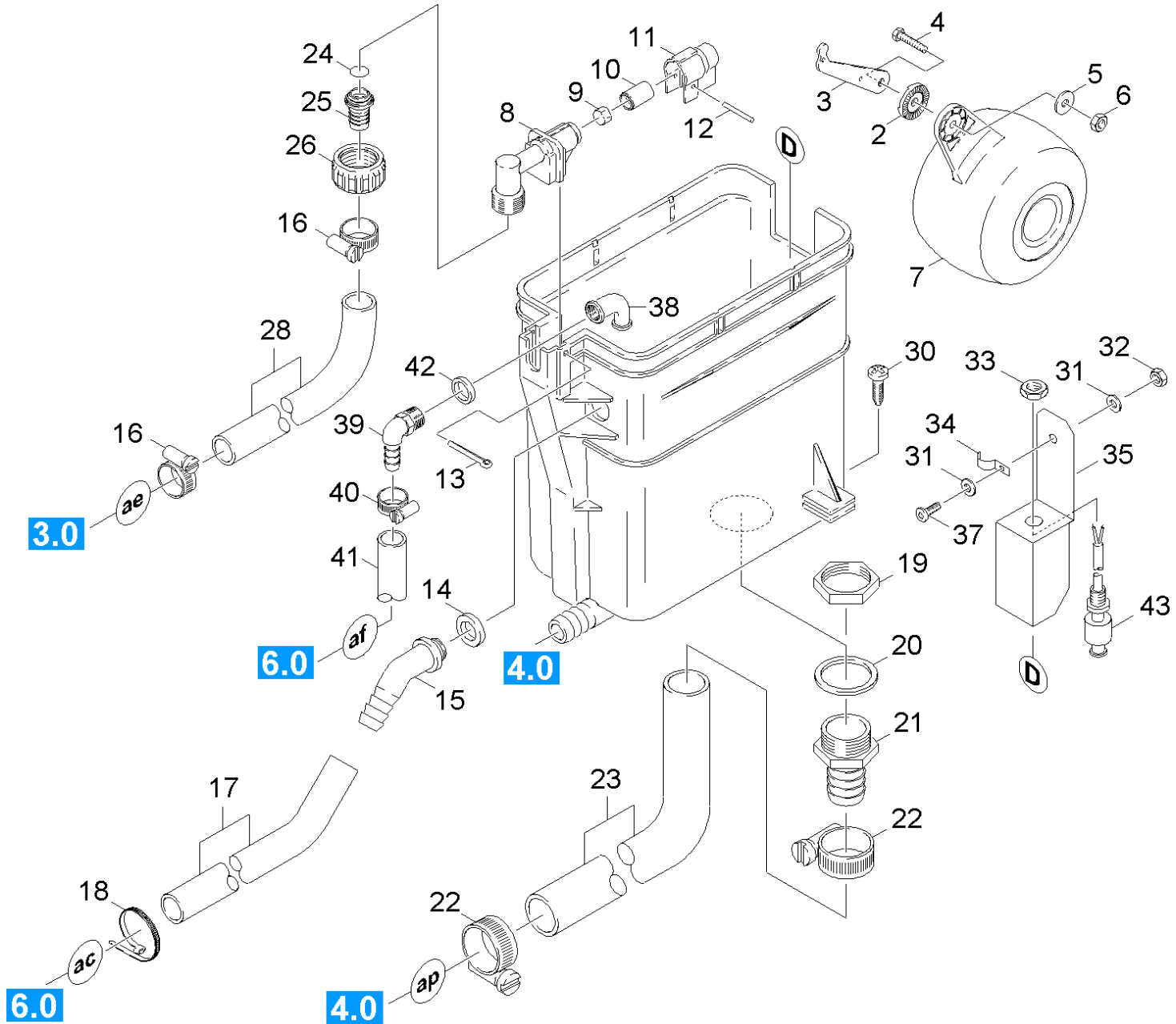


40 Flow heater

POS	Article no.	Description	Quantity	Unit	Foot note text
5	4.655-057.0	Bottom pressure boiler	1	PC	
31	5.112-193.0	Bush	1	PC	
17	6.310-081.0	Cage nut M 8	6	PC	
37	5.402-657.0	Connection piece	1	PC	
28	5.654-000.0	Cover pressure boiler	1	PC	
20	7.306-039.0	Cylinder head screw M8x50 -8.8-A2E ISO	6	PC	
2	4.680-142.3	Heating coil VA	1	PC	
6	7.311-155.0	Hexagon nut M22x1,5 -Cu2 DIN 936	2	PC	
16	6.388-563.0	Hose clip	1	PC	
23	7.373-022.0	Hose clip A-16-27x9 -W2-2 DIN3017	2	PC	
21	6.388-155.0	Hose DN19	1	m	TO ORDER AS CUT GOODS
15	6.389-373.0	Hose PVC DN32	1	m	TO ORDER AS CUT GOODS
33	5.443-211.0	Hose stem	1	PC	
25	7.362-033.0	Joint ring A5,5x8 -Cu DIN 7603	3	PC	
34	5.310-062.0	Nut	1	PC	
30	2.880-154.0	O-Ring kit	1	PC	
35	6.362-078.0	O-Ring seal 13,3x2,4	1	PC	
1	4.652-005.0	Outer covering boiler Gas HDS 12/14 St G	1	PC	
8	4.422-058.0	Pipelines	1	PC	
9	4.421-051.0	Pipelines TR	1	PC	
14	5.394-378.0	Protecting cap TR 22	1	PC	
12	6.686-300.0	Safety thermostat	1	PC	
13	6.686-299.0	Safety thermostat	1	PC	
29	7.303-030.0	Screw M4x8 -St-P2R (In6Rd)	4	PC	
4	6.363-205.0	Seal	1	PC	
7	5.363-360.0	Seal	2	PC	
32	6.389-682.0	T-Hose nozzle 19	1	PC	
22	6.686-531.0	Temperature limiter 94°	1	PC	
18	7.312-166.0	Toothed lock washer A8,4-FSt-A3E DIN 6797	6	PC	
3	5.115-521.0	Washer	4	PC	
10	5.115-375.0	Washer	2	PC	
36	5.115-465.0	Washer	1	PC	
19	7.312-004.0	Washer 8 -200HV-A3E ISO 7089	6	PC	

7 Seal (5.363-360.0)

POS	Article no.	Description	Quantity	Unit
0	5.363-228.0	Joint ring	1	PC

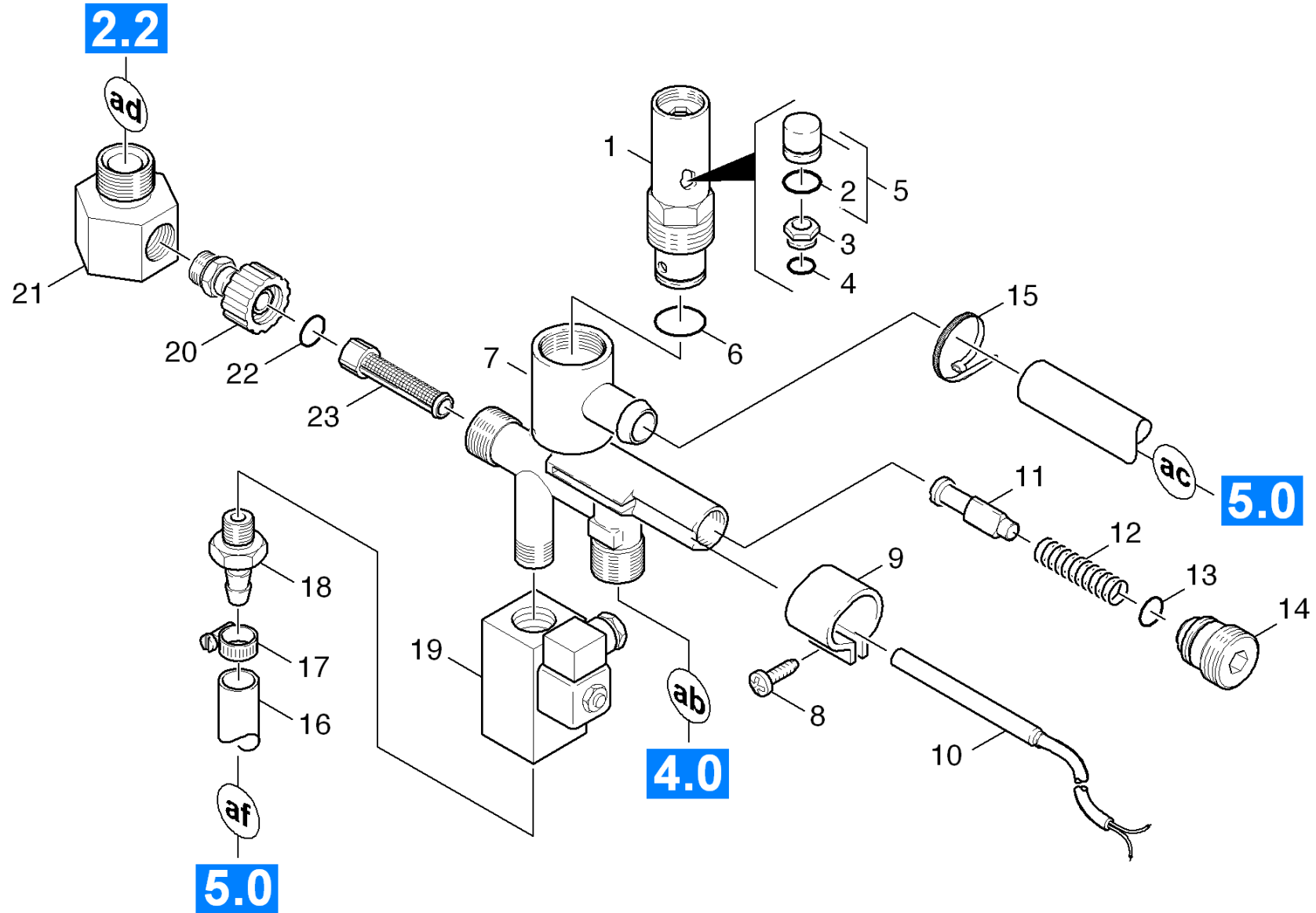


50 Float chest

POS	Article no.	Description	Quantity	Unit	Foot note text
38	6.387-862.0	"Angle A1-1/4""-RG5"	1	PC	
39	6.388-423.0	"Angle bushing 1/4""	1	PC	
19	5.311-157.0	"Hexagon nut 1 1/4""	1	PC	
26	5.310-173.0	"Nut R 3/4""	1	PC	
12	7.316-004.0	Bolt A 3x25 -CuZn ISO 2340	1	PC	
34	6.641-451.0	Cable clamp 5	1	PC	
18	6.641-474.0	Cable tape 8-210	1	PC	
13	7.316-432.0	Cotter 4x50 -St-A2E ISO 1234	1	PC	
9	5.364-095.0	Flat gasket	1	PC	
7	5.585-024.0	Float	1	PC	
43	6.631-846.0	Float regulator	1	PC	
32	7.311-064.0	Hexagon nut M 4-A2-70 ISO 4032	1	PC	
6	7.311-422.0	Hexagon nut M 6-1.4305 ISO 10511	1	PC	
22	6.388-563.0	Hose clip	2	PC	
16	7.373-022.0	Hose clip A-16-27x9 -W2-2 DIN3017	2	PC	
40	7.373-019.0	Hose clip A 10-16x9-W4 DIN3017	1	PC	
41	6.388-247.0	Hose DN8 -PVC	1	m	TO ORDER AS CUT GOODS
17	6.388-719.0	Hose DN17	1	m	
23	6.389-373.0	Hose PVC DN32	1	m	TO ORDER AS CUT GOODS
15	5.443-285.0	Hose stem	1	PC	
25	5.443-224.0	Hose stem	1	ZST	
3	5.481-029.0	Lever	1	PC	
33	6.641-756.0	Locknut PG 7	1	PC	
21	5.409-208.0	Nipple	1	PC	
24	6.362-078.0	O-Ring seal 13,3x2,4	1	PC	
11	5.394-066.0	Protection part	1	PC	
37	7.306-207.0	Screw M4x12 -A2-70 ISO 14583	1	PC	
4	7.303-048.0	Screw M6x20 -St-R3R (In6Rd)	1	PC	
20	6.362-044.0	Seal 1 1/4Z CSM	1	PC	
35	5.050-962.0	Sheet metal component	1	PC	
30	7.303-076.0	Sheet metal screw ST4,8X13 -St-R2R (In6	2	PC	
8	5.587-138.0	Valve housing	1	PC	
10	5.584-026.0	Valve pin	1	PC	

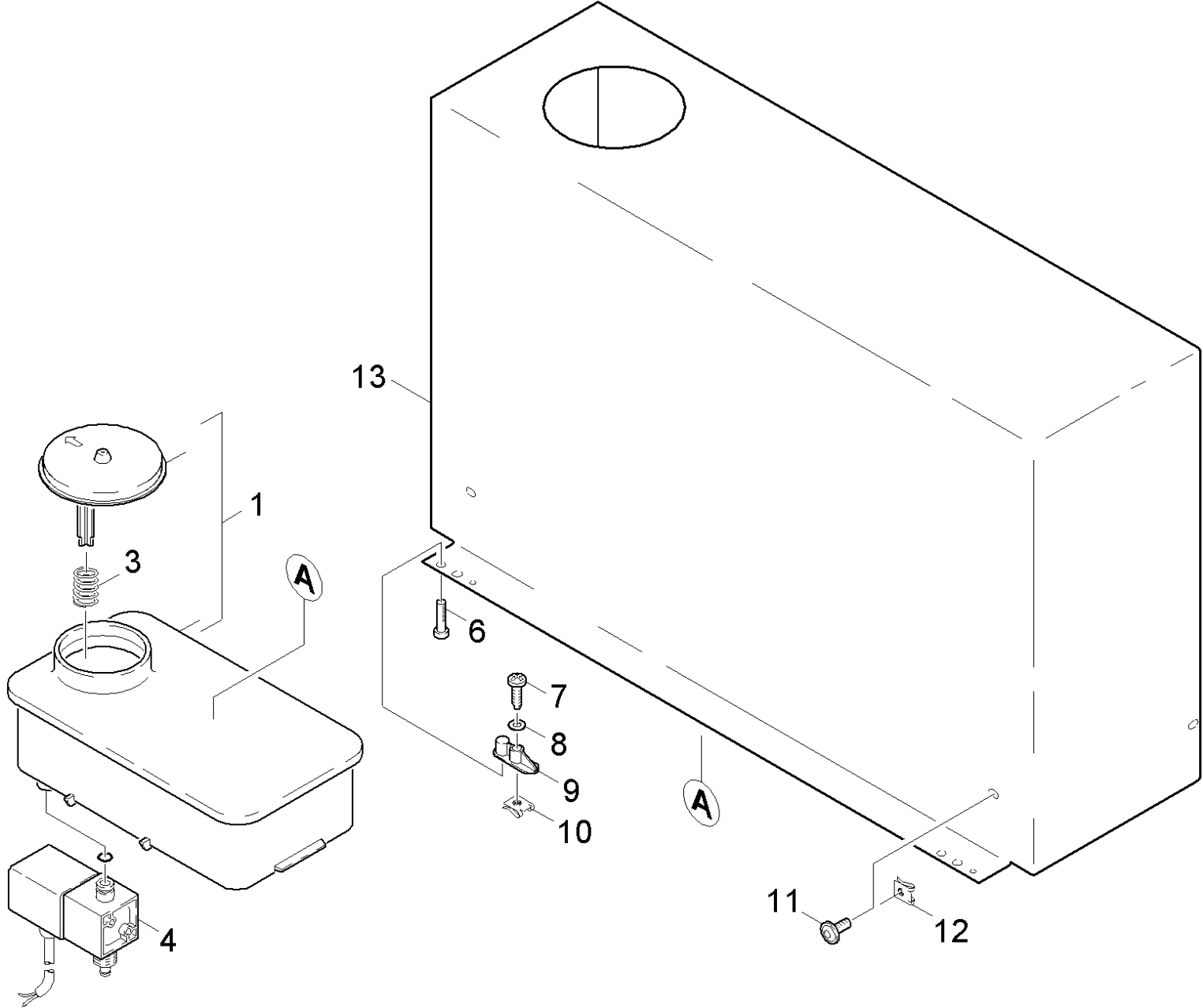
50 Float chest

POS	Article no.	Description	Quantity	Unit	Foot note text
2	5.115-158.0	Washer	1	PC	
31	7.312-042.0	Washer 4-CuZn-E2E DIN 125-1	2	PC	
5	7.312-279.0	Washer 6-CuZn ISO 7093-1	1	PC	
42	7.312-054.0	Washer 12-A2 ISO 7089	1	PC	
28	6.388-924.0	Water hose DN16	1	m	TO ORDER AS CUT GOODS



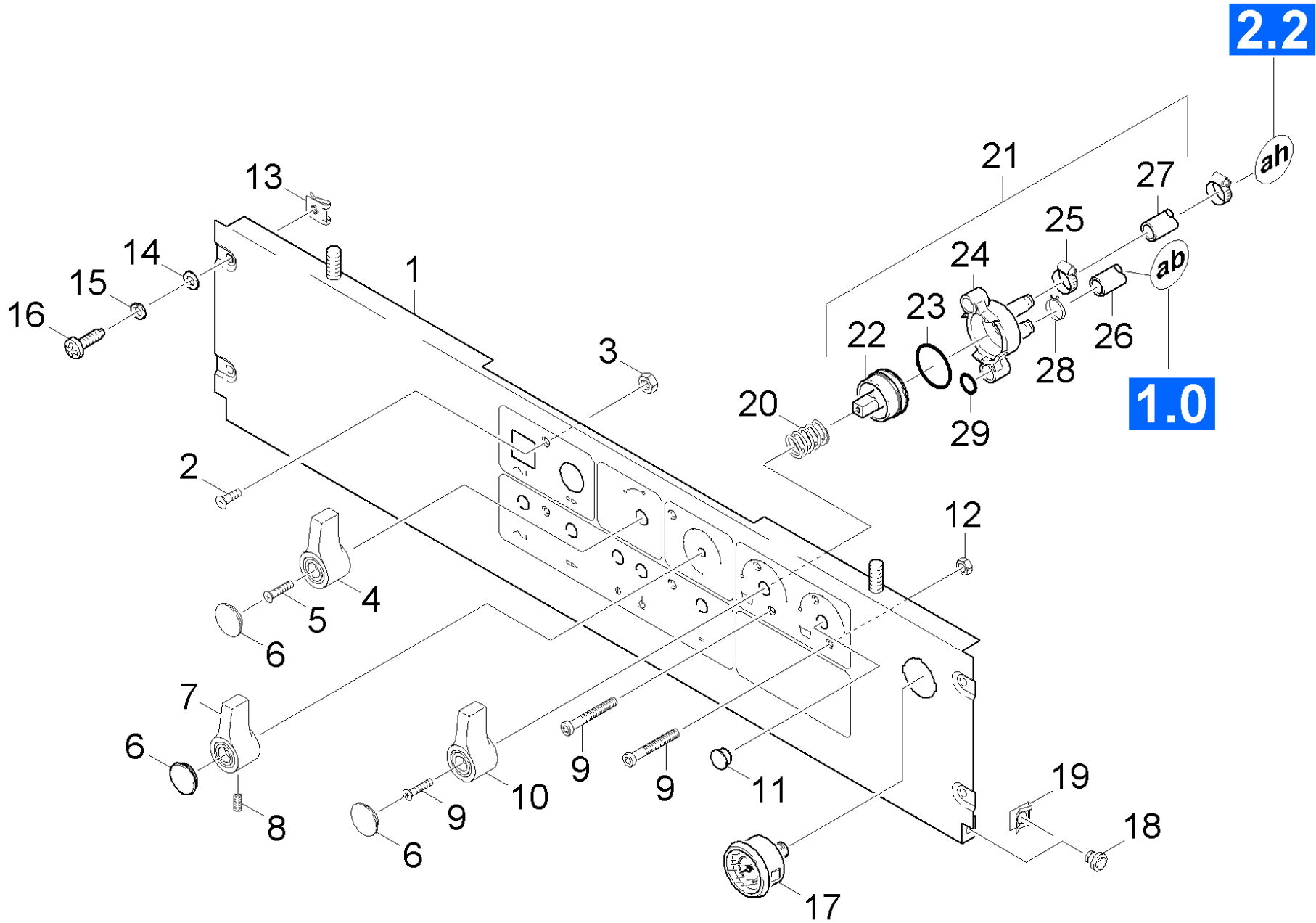
60 Safety system

POS	Article no.	Description	Quantity	Unit	Foot note text
15	6.641-474.0	Cable tape 8-210	1	PC	
9	5.041-076.0	Clamp	1	PC	
12	5.332-057.0	Helical spring	1	PC	
19	6.685-864.0	HIGH PRESSURE VALVE	1	PC	
17	7.373-019.0	Hose clip A 10-16x9-W4 DIN3017	1	PC	
16	6.388-247.0	Hose DN8 -PVC	1	m	TO ORDER AS CUT GOODS
18	6.388-630.0	Hose stem	1	PC	
7	5.061-175.0	Housing	1	PC	
8	6.303-122.0	M4 .2X13 DIN 7981 TORX T15 PAN HD HI/LO	1	PC	
22	6.362-151.0	O-Ring d. 10 x 2 NBR 70	1	PC	
4	6.362-388.0	O-Ring seal 8,0x1,5 -EPDM 70	1	PC	
13	6.362-482.0	O-Ring seal 10 x 1,5-NBR 70	1	PC	
2	6.362-481.0	O-Ring seal 14,0 x 2,0 NBR 80	1	PC	
6	6.362-580.0	O-Ring seal 17,0 X 2,0-NBR 70	1	PC	
11	4.553-022.0	Piston	1	PC	
5	6.412-264.0	Piston with seal	1	PC	
10	2.880-194.0	Reed switch replacement	1	PC	
1	4.412-538.0	Safety valve -nur für Ersatz-	1	PC	
21	5.401-296.0	Screw connector part	1	PC	
20	4.402-024.0	Screw union	1	PC	
14	5.305-162.0	Shaped screw	1	PC	
23	6.414-418.0	Strainer	1	PC	
3	6.412-263.0	Valve seat	1	PC	



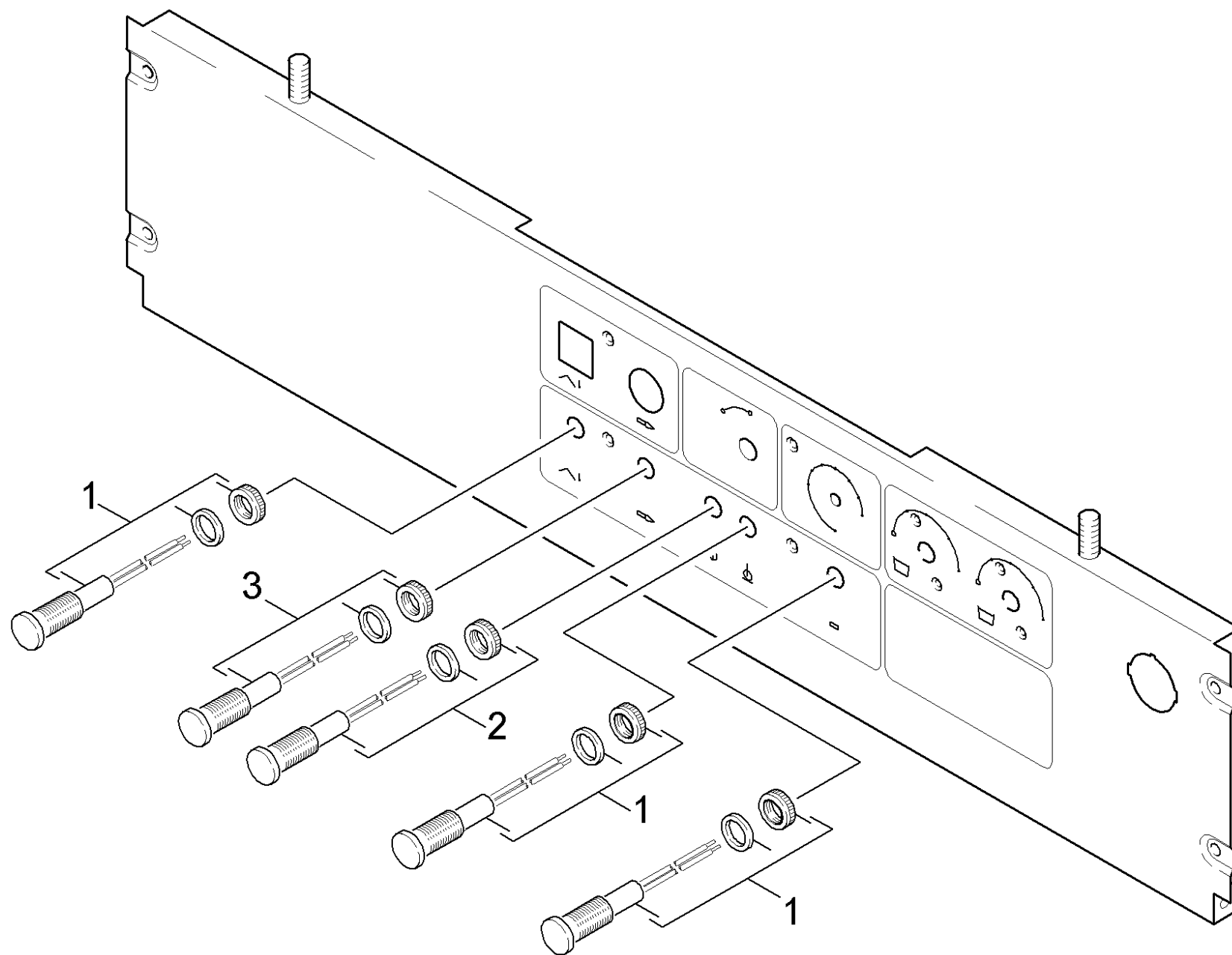
70 Tank

POS	Article no.	Description	Quantity	Unit
3	5.332-001.0	Helical spring	1	PC
11	6.304-153.0	Oval head screw M6x12-A2 aehnl: ISO 738	4	PC
13	5.051-359.0	Panel float chest basalt grey H=483mm	1	PC
12	6.310-082.0	Putting nut M6	4	PC
6	7.303-095.0	Screw 4x12-ST-10.9-R2R (IN6RD)	2	PC
7	7.303-080.0	Sheet metal screw ST4,8X32-ST-P2R-F ISO 14585	2	PC
4	6.685-845.0	Solenoid valve	1	PC
10	6.310-034.0	Speed nut	2	PC
9	5.057-026.0	Support	2	PC
1	4.070-094.0	Tank	1	PC
8	7.312-278.0	Washer 5-200HV-A2E ISO7093-1	2	PC



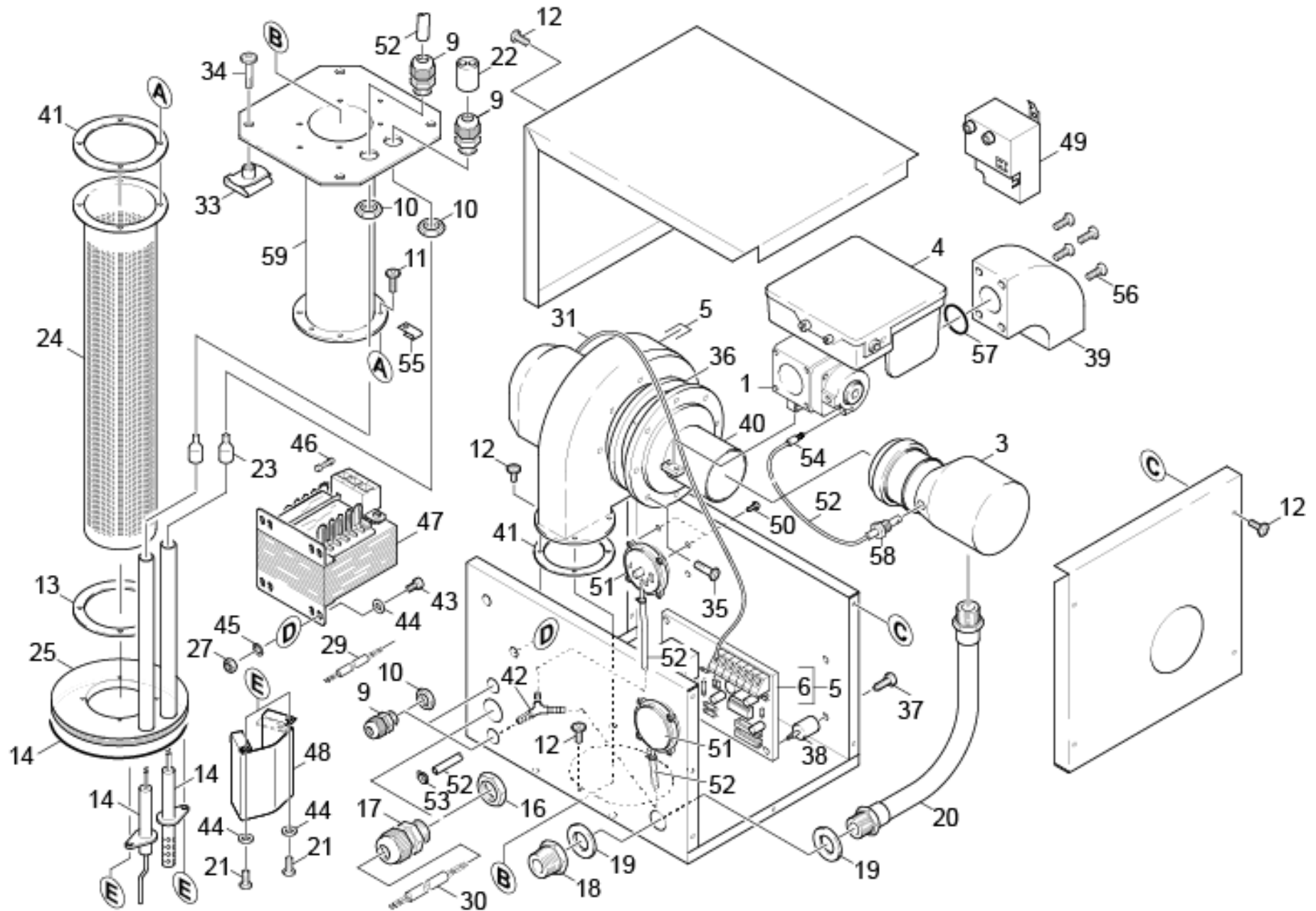
80 Control panel

POS	Article no.	Description	Quantity	Unit	Foot note text
18	6.373-346.0	Bolt	2	PC	
11	6.368-133.0	Cap	1	PC	
1	4.841-312.0	Control panel HDS 12/14-4 ST Gas	1	PC	
9	7.303-125.0	Countersunk screw 4x16 -10.9-R2R (In6Rd)	3	PC	
2	7.305-599.0	Countersunk screw M 5x10-A2-70-sw ISO 7	4	PC	
5	7.306-415.0	Cylinder head screw M3,5x12-4.8-A2E ISO1207	1	PC	
19	6.343-006.0	Fuse	2	PC	
4	5.321-235.0	Handhold	1	PC	
7	5.321-294.0	Handhold	1	PC	
10	5.321-067.0	Handhold	1	PC	
20	5.332-028.0	Helical spring	1	PC	
12	7.311-430.0	Hexagon nut M4-04-A2E DIN 985	2	PC	
3	7.311-421.0	Hexagon nut M 5-04-A2E DIN 985	4	PC	
28	6.388-561.0	Hose clip	1	PC	
25	7.373-019.0	Hose clip A 10-16x9-W4 DIN3017	1	PC	
26	6.388-194.0	Hose DN 7	1	m	TO ORDER AS CUT GOODS
27	6.388-247.0	Hose DN8 -PVC	1	m	TO ORDER AS CUT GOODS
29	6.362-386.0	O-Ring seal 5,0 x 1,5-NBR 80	1	PC	
23	6.362-712.0	O-Ring seal 25,3 X 2,4	1	PC	
6	5.132-010.0	Plug	3	PC	
17	6.421-350.0	Pressure gauge 0-31,5 MPa	1	PC	
30	7.303-035.0	Screw M4x30 -St-R2R (In6Rd)	2	PC	
16	7.303-076.0	Sheet metal screw ST4,8X13 -St-R2R (In6	4	PC	
13	6.310-121.0	Speed nut	4	PC	
15	7.313-002.0	Spring washer B5-FSt-MZN DIN 127	4	PC	
8	7.307-181.0	Threaded pin M5x10-14H-A2E ISO 7434	1	PC	
21	4.580-064.0	Valve	1	PC	
24	5.587-054.0	Valve housing	1	PC	
22	5.581-039.0	Valve seat	1	PC	
14	7.312-052.0	Washer 5 -A2 ISO 7089	4	PC	



90 Pilot lamp

POS	Article no.	Description	Quantity	Unit
2	6.651-220.0	Pilot lamp green	1	PC
1	6.651-184.0	Pilot lamp red	3	PC
3	6.651-223.0	Pilot lamp red	1	PC



100 Burner

POS	Article no.	Description	Quantity	Unit	Foot note text
18	6.387-422.0	"Reducing nipple N4-1""x3/4""-ZN-A EN 1	1	PC	
59	4.663-126.0	Burner tube	1	PC	
29	6.649-097.0	Cable	1	PC	
30	6.649-096.0	Cable	1	PC	
9	6.648-399.0	Cable gland black M16x1,5	4	PC	
17	6.648-401.0	Cable gland black M25X1,5	1	PC	
31	6.649-403.0	Cable PWM	1	PC	
1	6.525-123.0	Compact unit Gas	1	PC	
58	5.402-657.0	Connection piece	1	PC	
47	6.622-021.0	Control transformer 40VA	1	PC	
51	2.638-961.0	Conversion kit pressure switch air	2	PC	
56	7.306-167.0	Cylinder head screw M 4x40-8.8-A2E DIN	4	PC	
38	6.647-425.0	Distance holder	4	PC	
39	5.122-466.0	Flange connection Gas 3/4"	1	PC	
46	6.644-052.0	Fuse insert slow G-2,0A	1	PC	
4	6.633-490.0	Gas firing automatic	1	PC	
20	6.391-694.0	Gas hose	1	PC	
55	5.041-121.0	Grounding tongue	1	PC	
34	7.304-521.0	Hexagonal head screw M 6x16-A4-70 ISO 4	4	PC	
27	7.311-064.0	Hexagon nut M 4-A2-70 ISO 4032	2	PC	
48	5.044-832.0	Holder	1	PC	
52	6.389-534.0	Hose	1	m	TO ORDER AS CUT GOODS
53	7.373-017.0	Hose clip A-8-12x9 -W4 DIN3017-1	2	PC	
54	6.391-091.0	Hose stem	1	PC	
14	6.526-216.0	Ionization electrode	1	PC	
10	6.648-415.0	Locknut black M16	4	PC	
16	6.648-206.0	Locknut black M25	1	PC	
22	6.648-494.0	Multiple sealing insert M16 2x4	1	PC	
40	6.415-895.0	Nozzle mouthpiece CVI Venturi	1	PC	
57	6.362-168.0	O-Ring seal 22,3 X 2,4-NBR 70	1	PC	
33	6.130-001.0	Putting nut	4	PC	
23	6.641-754.0	RUBBER CAP	2	PC	
21	7.306-205.0	Screw M4x8 -A2-70 ISO 14853	2	PC	

100 Burner

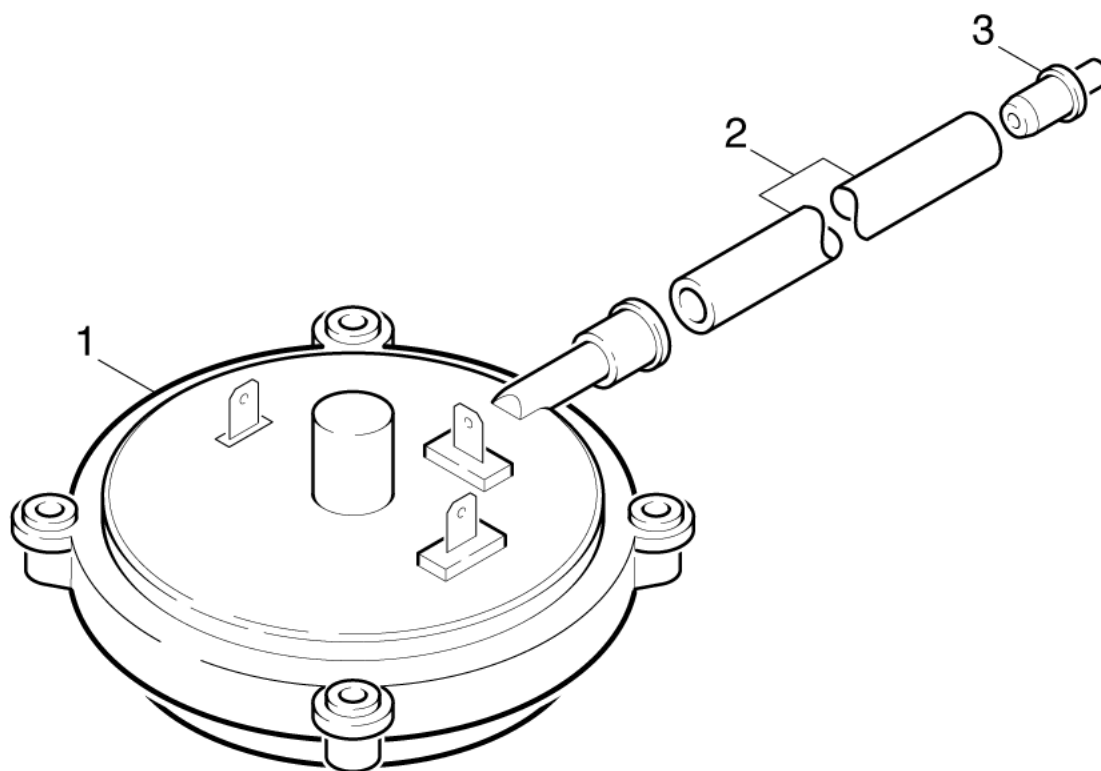
POS	Article no.	Description	Quantity	Unit	Foot note text
43	7.306-205.0	Screw M4x8 -A2-70 ISO 14853	2	PC	
50	7.306-206.0	Screw M4x10 -A2-70 ISO 14583	4	PC	
11	7.306-207.0	Screw M4x12 -A2-70 ISO 14583	4	PC	
12	7.303-032.0	Screw M4x12 -St-R2R (In6Rd)	8	PC	
35	6.303-192.0	Screw M5x12 TX TAPTITE2000	2	PC	
41	6.363-345.0	Seal	1	PC	
13	6.363-347.0	Seal burner HDS 9/16ST	1	PC	
36	6.286-434.0	Seal Venturi (Kork)	1	PC	
6	6.682-673.0	Service electronics gas burner	1	PC	
14	4.100-768.0	Service set burner	1	PC	
	Item text1: successor of 6.618-107.0				
100	6.369-837.0	Set of gaskets assembly kit Venturi	1	PC	SERVICE SET
37	7.303-136.0	Sheet metal screw ST3,5X 6,5-ST-R2R (IN	4	PC	
5	2.642-384.0	Spare part set blower circuit board	1	PC	
14	6.618-107.0	Spark plug	1	PC	
45	7.313-031.0	Spring washer A 4-Edelstahl DIN 128	2	PC	
49	6.622-260.0	Transformer	1	PC	
3	5.029-650.0	Tube	1	PC	
24	6.525-139.0	Tube burner	1	PC	
25	4.664-087.0	Tube burner complete	1	PC	
44	7.312-067.0	Washer 4 -A2 ISO 7089	4	PC	
19	7.312-025.0	Washer 27-140HV-A2K ISO 7090	1	PC	
42	6.389-225.0	Y-Bushing Y5	1	PC	

51 Conversion kit pressure switch air (2.638-961.0)

POS	Article no.	Description	Quantity	Unit
8	5.958-505.0	Spare parts list pressure switch	1	PC
Item text2: 26389610				

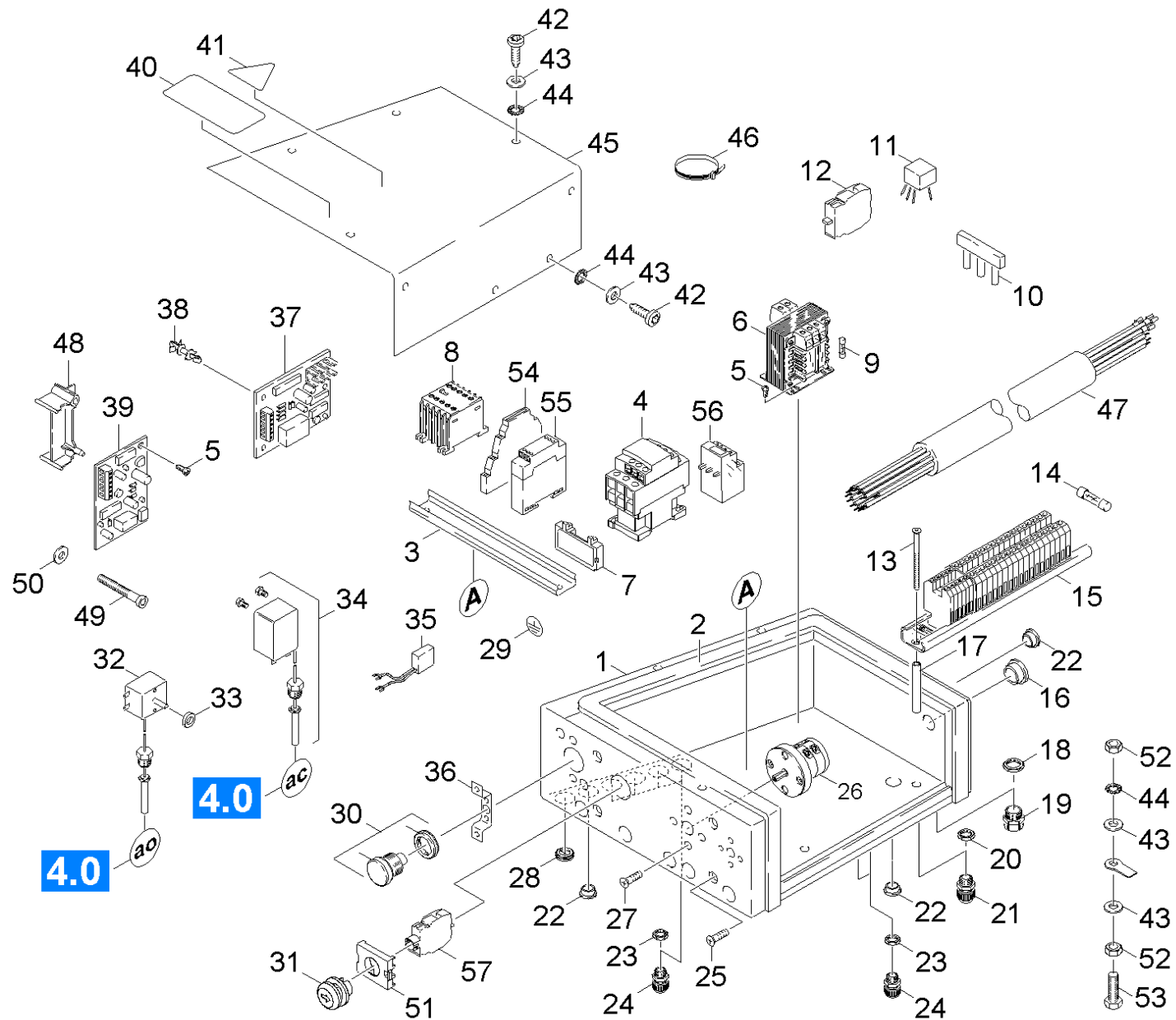
8 Spare parts list pressure switch (5.958-505.0)

POS	Description	Quantity	Unit
10	Conversion kit pressure switch	1	PC



10 Conversion kit pressure switch

POS	Article no.	Description	Quantity	Unit	Foot note text
3	5.409-270.0	Nipple	1	PC	
2	5.442-864.0	Piece of tube	1	PC	TO ORDER AS CUT GOODS
1	7.777-999.0	Stockpiling discontinued	1	PC	

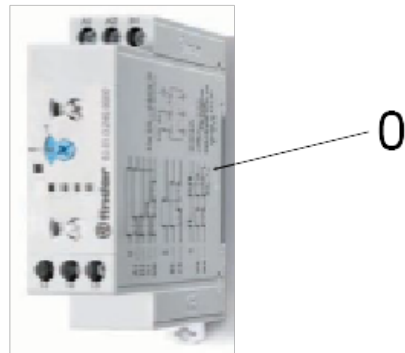


110 Equipment cabinet

POS	Article no.	Description	Quantity	Unit	Foot note text
11	4.828-007.0	Anti-interference filter complete	1	PC	
8	6.632-282.0	Auxiliary contactor 40 GR0	1	PC	
22	6.648-423.0	Blind plug grey M16X1,5	3	PC	
16	6.648-425.0	Blind plug grey M25x1,5	1	PC	
10	6.643-726.0	Brigde only for replacement	1	PC	
24	6.648-398.0	Cable gland black M12x1,5	4	PC	
21	6.648-399.0	Cable gland black M16x1,5	7	PC	
19	6.648-401.0	Cable gland black M25X1,5	3	PC	
46	6.641-463.0	Cable tape	11	PC	
57	6.635-435.0	Contact element S	1	PC	
6	6.622-021.0	Control transformer 40VA	1	PC	
55	2.882-059.0	Conversion kit multifunctional relay	1	PC	
25	7.305-033.0	Countersunk screw M4x6 -A2-70 (In6Rd)	4	PC	
27	7.305-022.0	Countersunk screw M4x12 -4.8-A2E ISO 20	2	PC	
45	5.063-968.0	Cover	1	PC	
30	5.324-073.0	Deblocking button	1	PC	
51	6.651-482.0	Fixed adapter	1	PC	
9	6.644-052.0	Fuse insert slow G-2,0A	1	PC	
14	6.644-146.0	Fuse medium time-lag 6,3A	2	PC	
36	5.042-481.0	Holder	1	PC	
41	5.386-007.0	Label	1	PC	
29	6.643-145.0	Label earthing	1	PC	
38	6.373-482.0	Locking hook	3	PC	
20	6.648-414.0	Locknut black M12	4	PC	
18	6.648-415.0	Locknut black M16	10	PC	
23	6.648-206.0	Locknut black M25	4	PC	
3	7.233-313.0	Mounting rail TH 35-7,5 -ST-ZE EN 60715	1	m	
56	6.633-481.0	Overload relay	1	PC	
4	6.632-334.0	Power contactor LC1 D32 B7	1	PC	
28	5.365-109.0	Profile gasket	1	PC	
39	4.633-058.0	Pulse generator only for replacement	1	PC	
31	6.651-487.0	Push button black M22-D-S	1	PC	
54	6.633-665.0	Relay 1W 24VAC/DC 6mm	2	PC	

110 Equipment cabinet

POS	Article no.	Description	Quantity	Unit	Foot note text
7	6.632-351.0	Resistor	1	PC	
35	6.632-275.0	Resistor	1	PC	
5	7.303-030.0	Screw M4x8 -St-P2R (In6Rd)	4	PC	
49	7.303-035.0	Screw M4x30 -St-R2R (In6Rd)	1	PC	
42	6.303-192.0	Screw M5x12 TX TAPTITE2000	7	PC	
53	7.306-079.0	Screw M5x25 -8.8-P2R (In6Rd)	1	PC	
13	7.303-045.0	Screw M5x55 -St-ZNBHL (In6Rd)	2	PC	
2	6.273-042.0	Sealing tape 19x4	1	m	TO ORDER AS CUT GOODS
1	5.049-651.0	Sheet metal component	1	PC	
12	7.777-999.0	Stockpiling discontinued	1	PC	
47	7.777-999.0	Stockpiling discontinued	1	PC	
50	7.777-999.0	Stockpiling discontinued	1	PC	
15	6.643-802.0	Strip terminal	1	PC	
48	5.057-043.0	Support	1	PC	
26	6.631-081.0	Switch	1	PC	
34	6.686-627.0	Temperature limiter	1	PC	
32	6.685-716.0	Thermostat	1	PC	
37	6.631-538.0	Timer module	1	PC	
44	7.312-172.0	Toothed lock washer A5,3-FSt-A3E DIN 6797	8	PC	
17	5.025-727.0	Tube	2	PC	
40	5.386-008.0	Warning sign	1	PC	
43	7.312-002.0	Washer 5 -200HV-A3E ISO 7089	9	PC	
33	6.362-254.0	Washer 12X5X2,0	1	PC	
52	7.312-065.0	Washer 22 -A2 ISO 7089	2	PC	



55 Conversion kit multifunctional relay (2.882-059.0)

POS	Description	Quantity	Unit	Remark
0	Component for orientation only	1	PC	see MA 0.083-936.0
