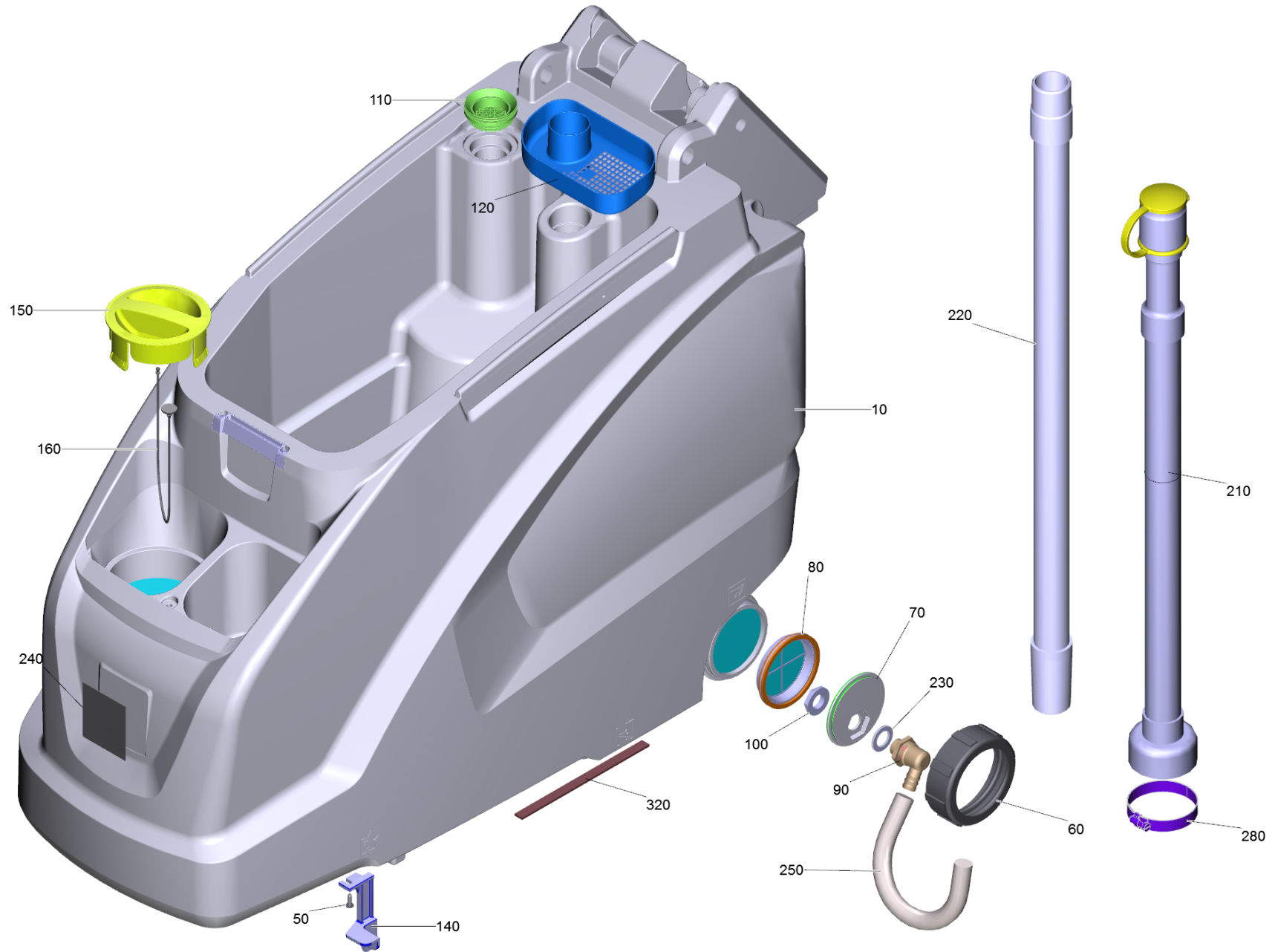


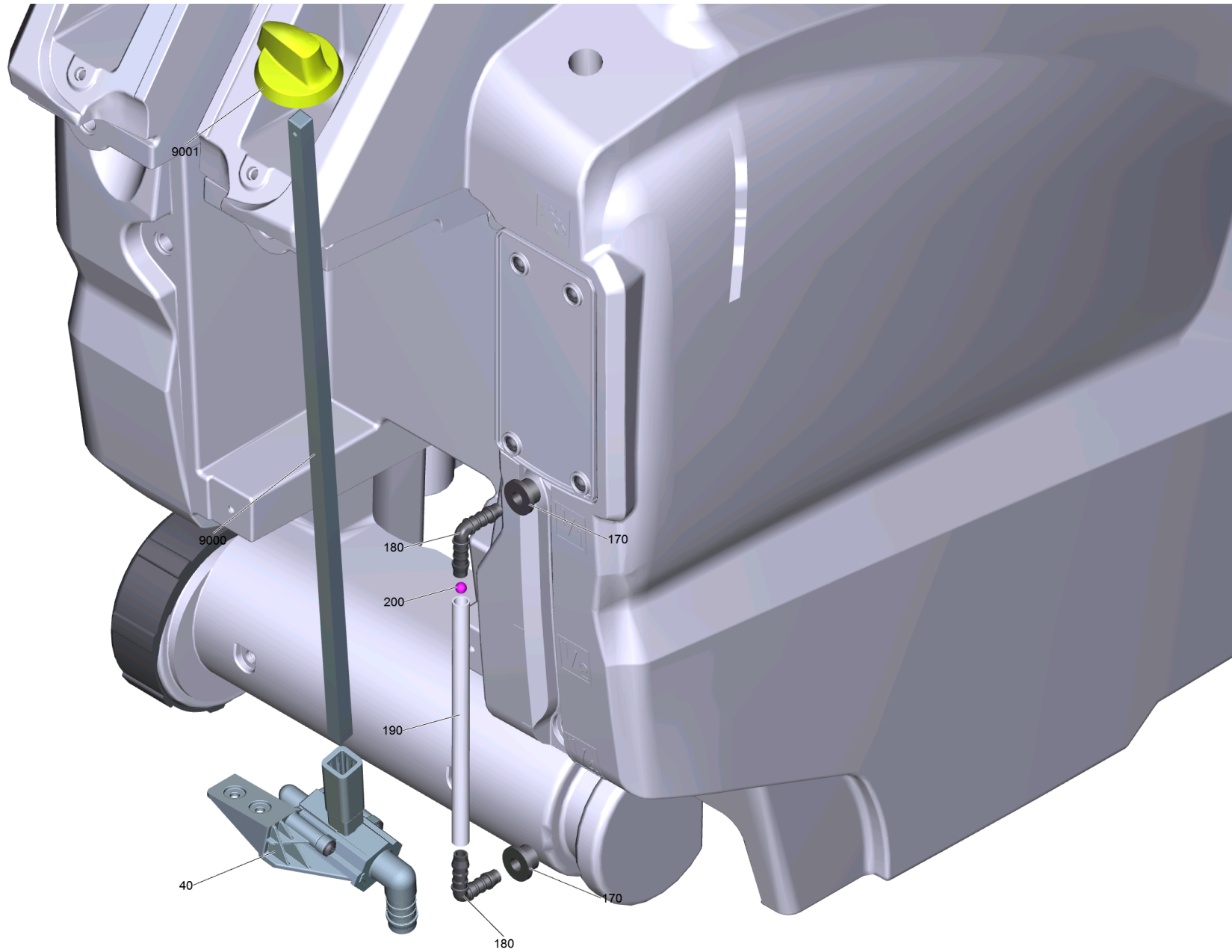
# 10 Tank complete (4.035-335.0)

Professional \ Floor cleaner \ Walk behind \ B 40 \ B 40 C Bp Dose \ Basic machinery B40 \ Tank complete



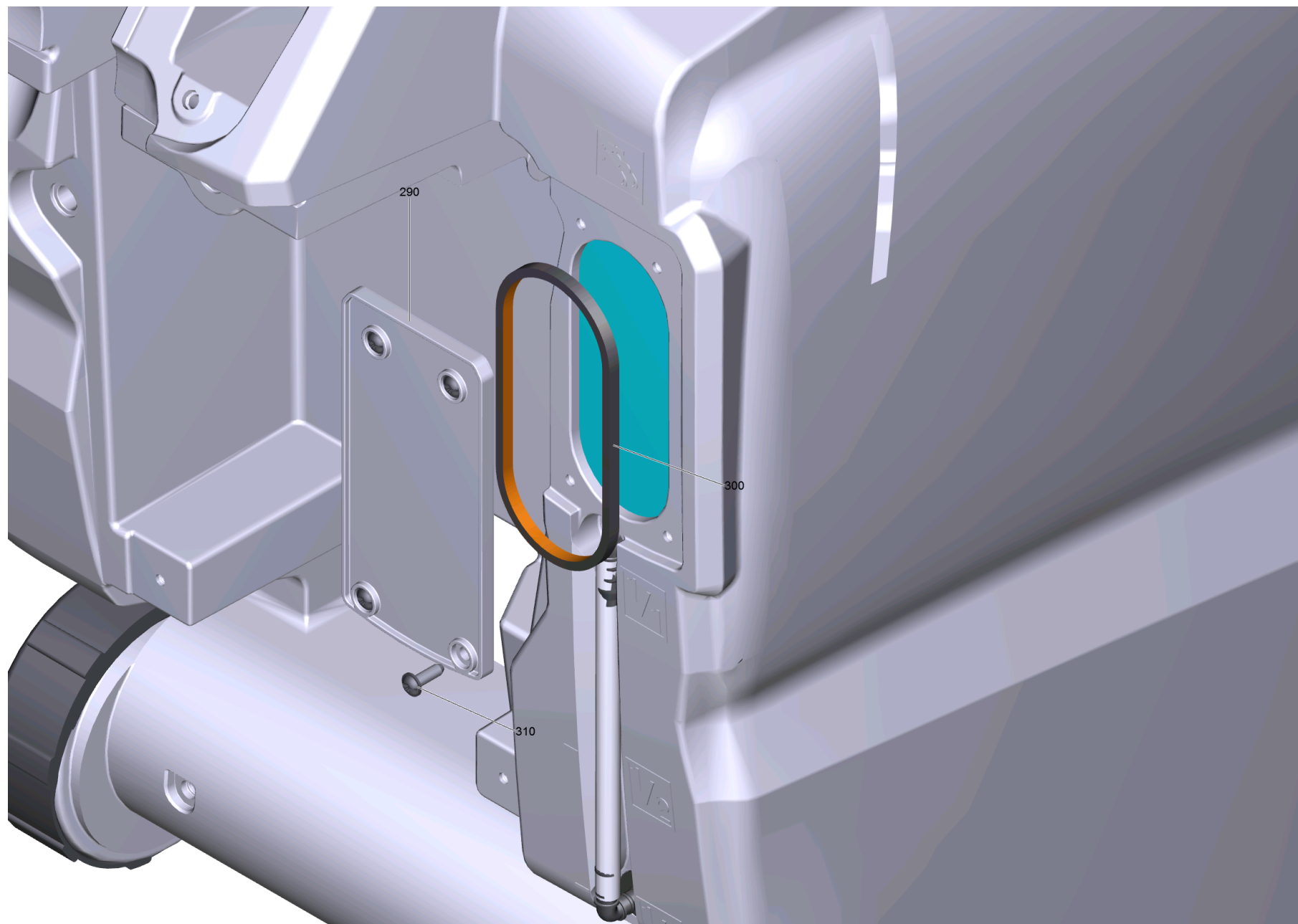
# 10 Tank complete (4.035-335.0)

Professional \ Floor cleaner \ Walk behind \ B 40 \ B 40 C Bp Dose \ Basic machinery B40 \ Tank complete



## 10 Tank complete (4.035-335.0)

Professional \ Floor cleaner \ Walk behind \ B 40 \ B 40 C Bp Dose \ Basic machinery B40 \ Tank complete



# 10 Tank complete (4.035-335.0)

Professional \ Floor cleaner \ Walk behind \ B 40 \ B 40 C Bp Dose \ Basic machinery B40 \ Tank complete



POS	Article no.	Description	Quantity	Unit	Foot note text
10	4.035-429.0	Tank replacement B40	1	PC	
40	4.035-426.0	Ball valve complete replacement	1	PC	
50	7.303-107.0	Screw 5x16 -10.9-P2R (K-In6Rd)	3	PC	
60	5.035-341.0	Cover fresh water tank discharge	1	PC	
70	5.035-342.0	Hose connection fresh water discharge	1	PC	
80	5.035-376.0	Filter discharge	1	PC	
90	6.395-163.3	Angle bushing G1-2	1	PC	
100	6.310-004.0	Hexagon nut G 1/2"	1	PC	
110	5.515-266.0	Joint ring fluffing strainer	1	PC	
120	5.036-932.0	Tank bulk waste yellow	1	PC	
140	5.035-435.0	Tank locking part	1	PC	
150	5.034-099.0	Cover fresh water metering RM	1	PC	
160	5.035-358.0	Mounting rope cover fresh water tank	1	PC	
170	5.035-608.0	Wire protecting sleeve	2	PC	
180	6.391-913.0	Elbow nipple	2	PC	
190	5.035-328.0	Silicon hose level indicator	1	PC	
200	6.035-072.0	Sphere level indicator D6	1	PC	
210	4.035-285.0	Drain hose with cover PU	1	PC	OIL RESISTANT
220	6.392-471.0	Suction hose PU DN32	1	PC	
230	5.515-253.0	Seal D34	1	PC	
240	5.394-081.0	Label signet gel 78x86	1	PC	
250	6.390-324.0	Hose DN16	1	m	TO ORDER AS CUT GOODS
280	6.388-767.0	Hose clip 70- 90	1	PC	
290	4.035-370.0	Screen filling system	1	PC	
300	5.035-418.0	Seal fixing plate	1	PC	
310	7.303-107.0	Screw 5x16 -10.9-P2R (K-In6Rd)	4	PC	
320	6.273-043.0	Sealing tape cellularrubber 9x4	1	m	TO ORDER AS CUT GOODS
9000	5.035-369.0	Bar	1	PC	
9001	5.035-404.0	Handle	1	PC	