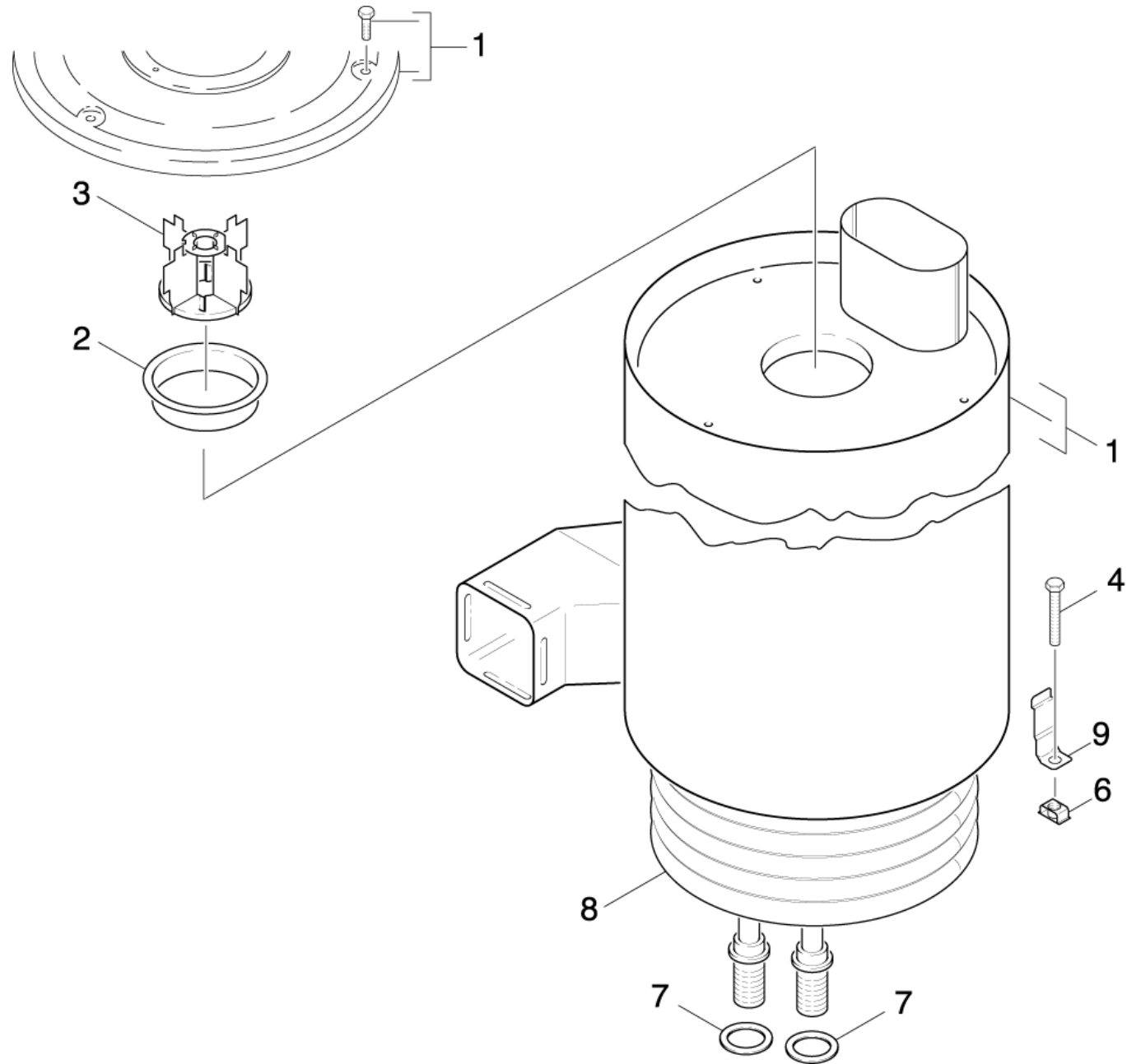


# 72 Heating coil

Professional \ High pressure cleaner hotwater \ Electric motor \ HDS 695 M ECO\*EU-II \ Spare parts list HDS 695 M ECO \ Flow heater \ Heating coil



## 72 Heating coil

Professional \ High pressure cleaner hotwater \ Electric motor \ HDS 695 M ECO\*EU-II \ Spare parts list HDS 695 M ECO \ Flow heater \ Heating coil

**KÄRCHER**

POS	Article no.	Description	Quantity	Unit	Foot note text
3	4.663-123.0	Baffle plate complete	1.000	ST	
	<b>Item text1:</b> 1.025-351.0 /-352.0				
3	4.663-088.0	Baffle plate complete	1.000	ST	
	<b>Item text1:</b> 1.025-311.0/-315.0/-316.0/-317.0/-318.0				
	<b>Item text2:</b> /-319.0/-320.0/-324.0/-325.0				
6	6.310-081.0	Cage nut M 8	3.000	ST	
2	5.664-179.0	Flame tube	1.000	ST	
	<b>Item text1:</b> 1.025-351.0 /-352.0				
2	5.664-195.0	Flame tube	1.000	ST	
	<b>Item text1:</b> 1.025-311.0/-315.0/-316.0/-317.0/-318.0				
	<b>Item text2:</b> /-319.0/-320.0/-324.0/-325.0				
8	4.680-135.0	Heating coil	1.000	ST	
	<b>Item text1:</b> / 1.025-311.0 / -312.0 / -315.0 / -316.0				
	<b>Item text2:</b> / -317.0 /-325.0				
8	4.680-123.0	Heating coil	1.000	ST	
	<b>Item text1:</b> 1.025-351.0 /-352.0				
8	4.680-137.0	Heating coil VA	1.000	ST	EDELSTAHLAUSFUEHRUNG
	<b>Item text1:</b> / 1.025-311.0 / -315.0 / -316.0 / -317.0				
8	4.680-114.0	Heating coil VA	1.000	ST	EDELSTAHLAUSFUEHRUNG
	<b>Item text1:</b> / 1.025-318.0 / -319.0 / -320.0				
	<b>Item text2:</b> / -324.0				
4	7.304-051.0	Hexagonal head screw M 8x16-8.8-P2R EN	3.000	ST	
9	5.044-420.0	Holder	3.000	ST	
1	4.652-137.0	Outer covering	1.000	ST	
	<b>Item text1:</b> 1.025-351.0 /-352.0				
7	5.365-068.0	Profile gasket	2.000	ST	
1	4.652-131.0	Vessel mantel complete	1.000	ST	
	<b>Item text1:</b> 1.025-311.0/-315.0/-316.0/-317.0/-318.0				
	<b>Item text2:</b> /-319.0/-320.0/-324.0/-325.0				