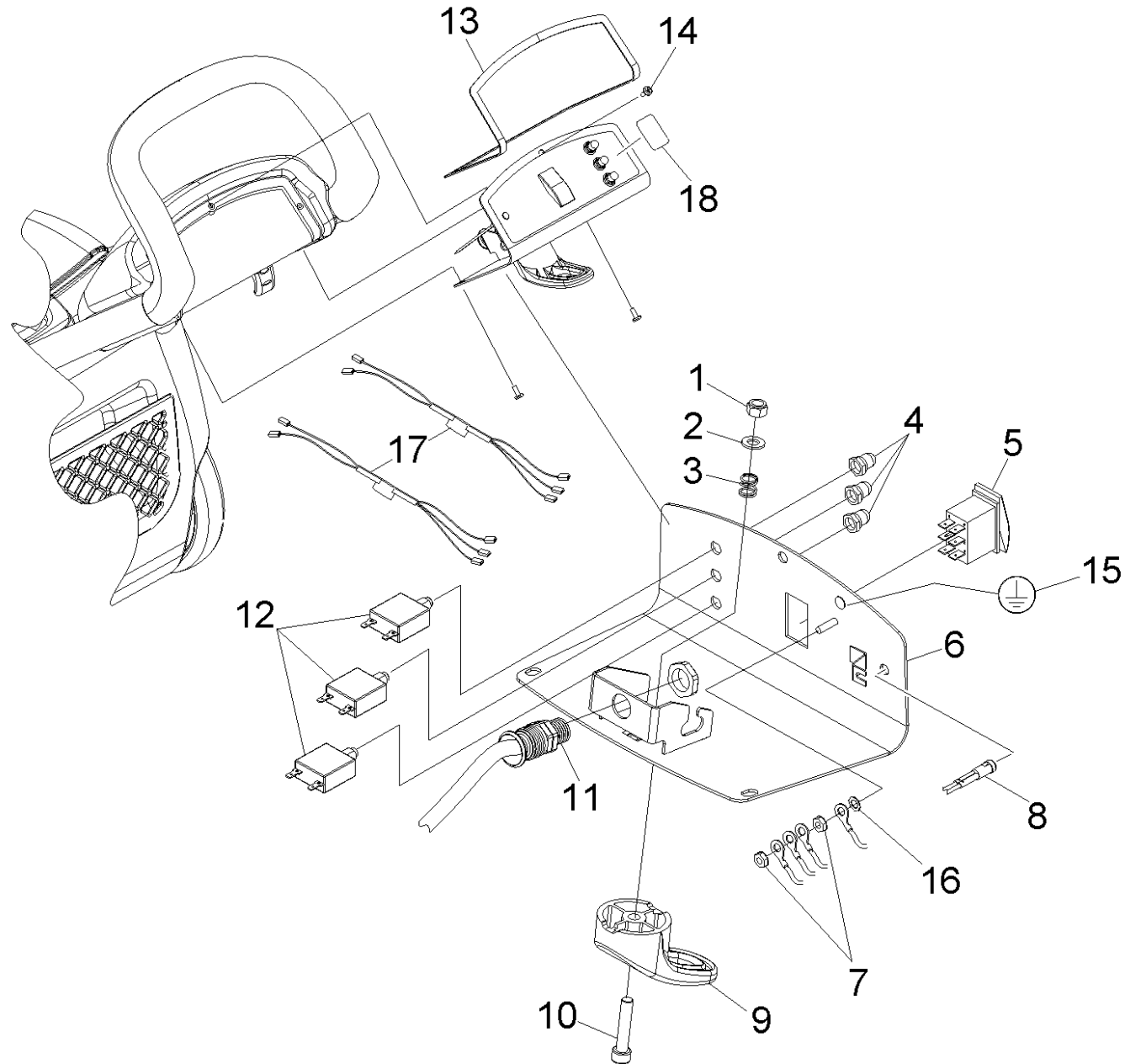


30 Control system

Professional \ Vacuum cleaner \ Dry vacuum cleaner \ CV 66/2 *EU \ Spare parts list CV 66/2 \ Control system



30 Control system

Professional \ Vacuum cleaner \ Dry vacuum cleaner \ CV 66/2 *EU \ Spare parts list CV 66/2 \ Control system

POS	Article no.	Description	Quantity	Unit	Remark
12	8.621-571.0	BREAKER 5A VDE CIRCUIT	3	PC	
11	8.621-718.0	Cable	1	PC	*GB
11	8.621-717.0	Cable	1	PC	*AU
11	8.621-716.0	CORD ASM, EURO 1.5MM X 75 BLK	1	PC	*EU
17	8.629-181.0	FILTER, EMI MAIN LCR F18158B	2	PC	
13	8.621-829.0	GASKET, CONSOLE, HANDLE	4	PC	
9	8.633-561.0	HOOK, UPPER, CORD YLW	1	PC	
18	8.635-028.0	LABEL, CTRL PNL, CV 66/2 -CN	1	PC	
15	6.643-145.0	Label earthing	1	PC	
1	8.617-264.0	Nut	1	PC	
7	8.600-570.0	NUT, 10-32 HEXSTRW LK STL ZNPLT	22	PC	
4	8.621-541.0	Protecting cap	3	PC	
14	8.627-682.0	SCREW, 10-32 X .5 PHTRHMS	3	PC	
10	8.622-383.0	SCREW, M8-1.25 X 40 SCHCS SS ISO4762	1	PC	
3	8.622-473.0	SPRING, COMP, 12MM OD X 12.7MM	1	PC	
11	7.777-999.0	Stockpiling discontinued	1	PC	*CN
5	8.600-713.0	Switch DPDT 2-POSITION ROCKER	1	PC	
16	8.601-064.0	Washer #10 LOCK EXT STAR SS	1	PC	
2	8.617-330.0	WASHER, M8 FLT SS ISO7098	1	PC	
6	8.622-596.0	WELDMENT, ELECTRICAL PANEL	1	PC	