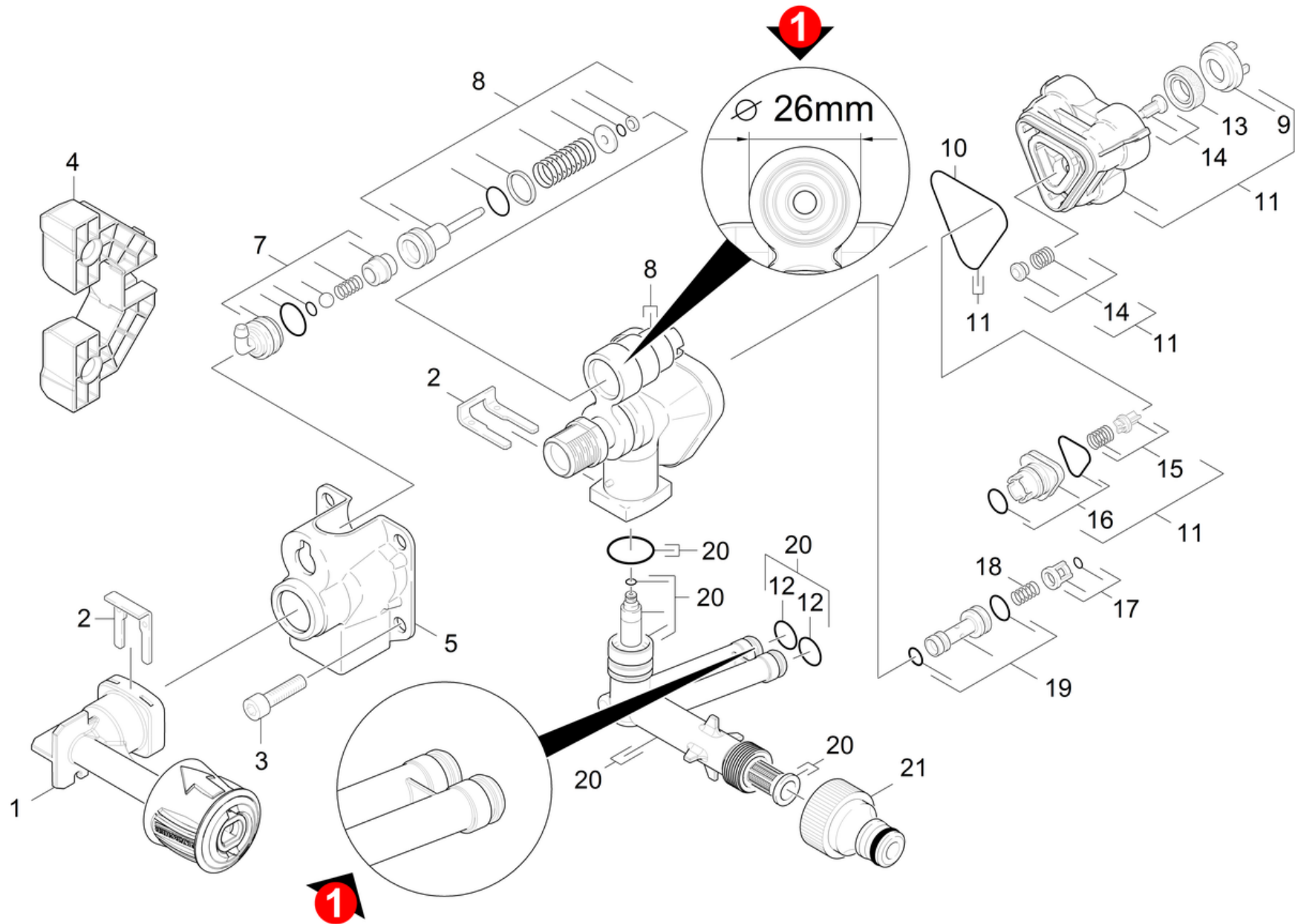


21 Housing

Home and Garden \ High pressure cleaner cold water \ Electric motor \ K 3 \ K 3.500 Garden *EU \ Spare parts list K3.500 Mod.Range \ Pump set \ Housing



21 Housing

Home and Garden \ High pressure cleaner cold water \ Electric motor \ K 3 \ K 3.500 Garden *EU \ Spare parts list K3.500 Mod.Range \ Pump set \ Housing

POS	Article no.	Description	Quantity	Unit	Foot note text
7	9.001-741.0	Aspiration cleaning agents for replaceme	1	PC	
4	9.037-673.0	Bracket pump (bridge)	1	PC	
17	9.001-107.0	Cage complete	1	PC	
21	6.465-031.0	Connection 3/4	1	PC	
8	9.002-010.0	Conversion kit housing new D=22mm	1	PC	
10	9.081-422.0	Form seal	1	PC	
13	6.362-875.0	Grooved ring	3	PC	
1	9.001-749.0	High-pressure outlet complete	1	PC	
5	9.039-511.0	HR MANIFOLD flange	1	PC	
19	9.001-108.0	Injector complete	1	PC	
16	9.001-106.0	Joining piece	1	PC	
2	9.039-148.0	Metal fork	2	PC	
14	9.001-110.0	Moulded part complete	1	PC	SET CONSISTS OF 3X MACHINED PART COMPL.
3	9.086-200.0	Screw M 8x55 Class 8.8	4	PC	
12	9.080-455.0	Seal 10x2,8	2	PC	
11	9.001-693.0	Spare parts set cylinder head WCP	1	PC	
		Item text1: all other machines			
11	9.001-693.0	Spare parts set cylinder head WCP	1	PC	
		Item text1: 1.180-151.0/-154.0/100.0/-130.0/-150.0/ Item text2: -153.0/-156.0/-163.0			
20	9.001-782.0	Spare parts set suction side	1	PC	
15	9.001-149.0	Spare parts set valve	1	PC	SET CONSITSTS OF 3X VALVE
18	9.047-026.0	Spring	1	PC	
9	9.038-428.0	Supportring 6,7 mm	3	PC	
		Item text1: all other machines			
9	9.038-428.0	Supportring 6,7 mm	3	PC	
		Item text1: 1.180-151.0/-154.0/100.0/-130.0/-150.0/ Item text2: -153.0/-156.0/-163.0			