

# ***GENERAL PURPOSE ENGINE***

**GCV135  
GCV135E  
GCV160  
GCV160A  
GCV135A  
GCV160E**

**PARTS CATALOGUE**

**6**



GCV160

---

FOREWORD INDEX

**1**

---

ENGINE GROUP

**2**

---

PART NUMBER INDEX

**3**

---

PART NAME INDEX

**4**

---



**Instruction for use of parts catalogue**

- **This parts catalogue was prepared based on the latest information available as of October 20, 2004.**
- See the parts catalogue news for any revision that is made after October 20, 2004.
- **Always specify the part number when ordering a part.**
- Check the model, type, serial numbers, color, maker, and the size as needed before ordering a part.
- Note that the illustrations (part drawings) can differ from the actual parts in shape. They are given just to help you to refer to the parts.
- **When modifications or additions to this parts catalogue are made, a revised edition will be issued at an appropriate time, with successively progressing revision numbers on the cover. We recommend obtaining such revisions in order to keep your parts catalogue up-to-date at all times. To check whether a parts catalogue revision has been issued, please contact your Honda distributor.**

Initial version issue date **September 10, 1997**  
**Honda Motor Co., Ltd.**

**CONTENTS**

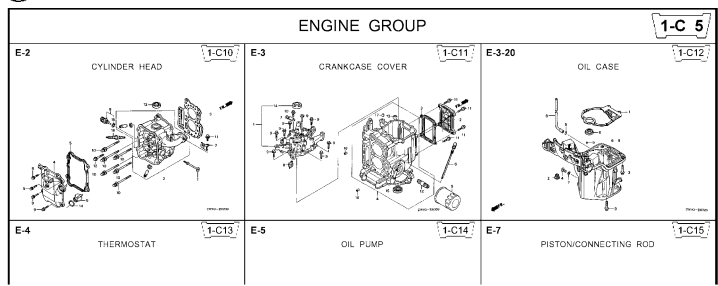
	Page	Address No.	
● How to refer to the part information .....	2	B 2	<b>1</b>
● Part catalogue structure .....	3	B 3	
● When the parts were revised .....	4	B 4	
● Abbreviations used in the parts catalogue.....	4	B 4	
● How to check the part block and serial numbers.....	5	B 5	
● Models, parts catalogue codes and applicable serial numbers .....	6	B 6	
● Features of each type.....	16	B16	
● Fuel hose, general purpose hoses and vinyl hose.....	24	C 8	
● FLAT RATE SERVICE TIME.....	25	C 9	
● Illustrated index .....	30	C14	
● ENGINE GROUP.....	33	D 1	<b>2</b>
● PART NO. INDEX.....	84	H 1	<b>3</b>
● PART NAME INDEX.....	87	I 1	<b>4</b>



How to refer to the part information

1

A Reference with "Illustrated index"



B Reference with "Part number index"

PART NO. INDEX

Part Number	Address	Page	Ref.	Part Number	Address	Page
06000				15212-ZW9-000	1-C14	3C
06316-ZW9-000	1-G9	88	1	15220-ZW9-003	1-C14	3C
11000				15332-ZW9-000	1-E8	55
11300-ZW9-405	1-C11	27	1	15332-ZW9-A30	1-E11	5E
11300-ZW9-406	1-C11	27	1	15400-PFB-004	1-C11	27
11340-ZW9-000	1-C11	27	2	15422-ZW9-000	1-C14	3C
11342-ZW9-000	1-C11	27	3	15473-881-000	1-C14	3C
11381-ZW9-003	1-C12	28	1	15474-ZW9-000	1-C14	3C
				15611-921-000	1-C10	2E
				15655-ZW9-000	1-C11	27
				16000		
12000				16010-ZV4-005	1-D4	3E
12000-ZW9-405ZA	1-C11	27	4	16011-ZV4-005	1-D4	3E
12155-ZV4-A00	1-C13	29	1	16013-ZW9-003	1-D4	3E
12166-ZW9-000	1-C10	26	1	16016-ZW9-003	1-D4	3E
12209-GB4-681	1-C16	32	1	16016-ZW9-721	1-D4	3E
12210-ZW9-405ZA	1-C10	26	2	16023-ZW9-003	1-D4	3E
12216-ZE2-300	1-E8	55	1	16024-ZV4-650	1-D4	3E
	1-E11	58	1	16028-ZV4-650	1-D4	3E

C Reference with "Part name index"

PART NAME INDEX

Part name	Address	Page	Ref.
[ A ]			
ABSORBER , FUEL	1-E15	62	5
ARMATURE COMP.	1-D11	43	7
ARM COMP. , LINK JOINT	1-G6	85	18
ARM COMP. , SHIFT LINK	1-G6	85	14
ARM COMP. , TILT	1-F15	79	20
ARM , FUEL PUMP ROCKER	1-C16	32	4
ARM , REVERSE LOCK	1-F15	79	18
ARM , SHIFT LINK	1-F11	74	7
ARM , STOPPER	1-D1	33	12
ARM , THROTTLE REMOTE	1-F11	74	6
ARM , VALVE ROCKER	1-C16	32	3
[ B ]			
BAG , TOOL , 160MM	1-G5	84	10
BAND	1-G6	86	37
BAND B1 , WIRE	1-F6	69	1
BAND , CORD	1-F3	67	18
BAND , TUBE CLIP , 11MM	1-E15	63	20
BAND , TUBE CLIP , 12.5MM	1-E15	63	19

Address No. 1-C10

E-2 CYLINDER HEAD

Block No.

Ref No.

Ref. No.	Part No.	Description	Reqd. QTY						Serial No.	Parts catalogue code
			9901	9901	1001	1001	1001	1001		
1	12166-ZW9-000	STOPPER, ENGINE SIDE	2	2	2	2	2			
2	12210-ZW9-000ZA	HEAD COMP., CYLINDER	1	1	1	1	1			
3	12251-ZW9-003	GASKET, CYLINDER HEAD	1	1	1	1	1			
4	12310-ZW9-000	COVER COMP., HEAD	1	1	1	1	1			
5	12312-ZW9-000	PACKING, HEAD COVER	1	1	1	1	1			
6	15611-921-000	CAP, OIL (NO GAUGE)	1	1	1	1	1			
7	16617-ZW9-000	HOLDER, CABLE	1	1	1	1	1	SC,SG		
	16617-ZW9-010		1	1	1	1	1	1001800 LHC,LHD		
			1	1	1	1	1		LHC,LHD	
8	35673-ZW5-003	SENSOR ASSY., WATER	1	1	1	1	1			
9	90003-ZW9-000	BOLT, FLANGE, 6X22	4	4	4	4	4			
10	90007-ZW9-003	BOLT, FLANGE, 8X83	6	6	6	6	6			
11	90011-ZW9-000	BOLT, FLANGE, 6X14(CT200)	1	1	1	1	1			
12	90009-ZW9-000	BOLT, FLANGE, 8X40	2	2	2	2	2			
13	91305-K49-003	OIL SEAL, 20X32X6	1	1	1	1	1			
14	91301-805-000	O-RING, 26X2.7	1	1	1	1	1			
15	91307-PK2-005	O-RING, 9.5X1.5(HONDA KIKAKI)	1	1	1	1	1			
16	98059-55916	PLUG, SPARK (CR5EH-9)	2	2	2	2	2			
	98059-55926	PLUG, SPARK (U16FER9)	2	2	2	2	2			

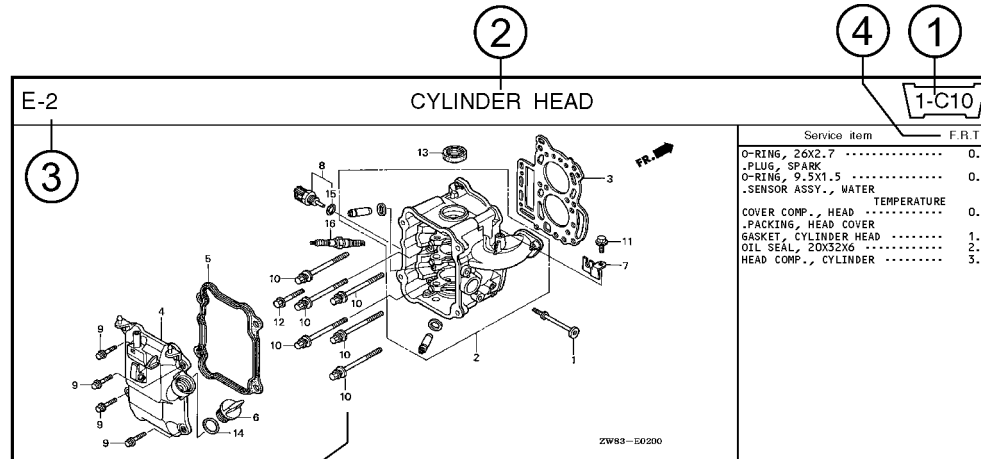
Service item F.R.T.

- O-RING, 26X2.7 ..... 0.1
- PLUG, SPARK ..... 0.2
- O-RING, 9.5X1.5 ..... 0.2
- SENSOR ASSY., WATER ..... 0.3
- COVER COMP., HEAD ..... 0.3
- PACKING, HEAD COVER ..... 1.8
- GASKET, CYLINDER HEAD ..... 2.4
- OIL SEAL, 20X32X6 ..... 2.4
- HEAD COMP., CYLINDER ..... 3.1

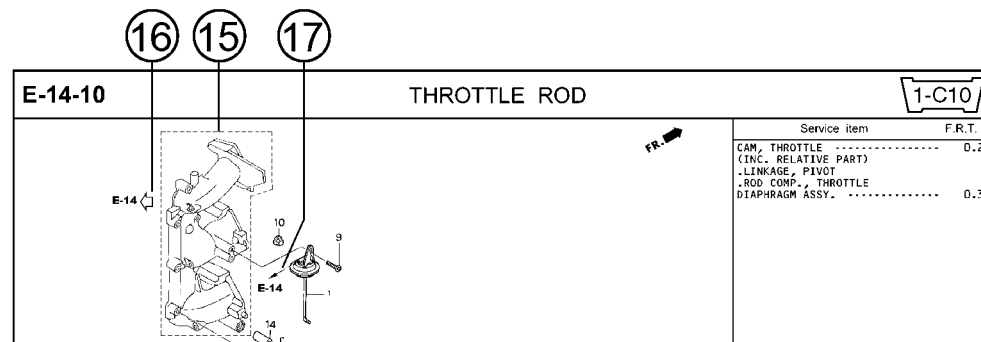
ZW83-EG200

Page No.

Part catalogue structure



Ref. No.	Part No.	Description	Reqd. QTY						Serial No.	Parts catalogue code
			BF 93D1	BFP 93D1	BF 10D1	BFP 10D1	BF 10B1	BFP 10B1		
1	12166-zw9-000	STOPPER, ENGINE SIDE	2	2	2	2	2			
2	12210-zw9-000ZA	HEAD COMP., CYLINDER *NH8*	1	1	1	1	1			
3	12251-zw9-003	GASKET, CYLINDER HEAD	1	1	1	1	1			
4	12310-zw9-000	COVER COMP., HEAD	1	1	1	1	1			
5	12312-zw9-000	PACKING, HEAD COVER	1	1	1	1	1			
6	15611-921-000	CAP, OIL (NO GAUGE)	1	1	1	1	1			
7	16617-zw9-000 16617-zw9-010	HOLDER, CABLE	1	1	1	1	1	SC,SG 1001800 LHC,LHD		



① Address number

- Address No. is provided (in place of the page No.) to help you refer to the part with the part No. or part name.

② Block title ③ Block number

④ Service item/Flat rate time

⑤ Reference number

- Title number marked with the parenthesis or parentheses indicates that it continues from the previous page.

⑥ Part number ⑦ Honda color code

⑧ Description

⑨ Assemblies

- Sections framed with broken lines in the exploded view drawings are available as complete assemblies. (Their individual parts can also be obtained.)

⑩ Color description

⑪ Note

- Notes are shown with the parentheses in the part name column.

⑫ Required quantity

- Required QTY shown in the parenthesis or parentheses indicates the optional part.
- Required QTY marked with "N" Indicates the optional part that should be selected as needed.
- Required QTY indicates the number of the part used in the block.

⑬ Serial number

⑭ Type

- When the type column is blank, it indicates that the part is applicable to all types.
- As the type of the actual unit may differ from the "parts catalogue, type" please refer to "Models, types and applicable serial numbers" for confirmation.

⑮

- Parts enclosed within a dotted line are covered in a different block.

⑯

- A hollow arrow indicates the block No. for the parts enclosed within a dotted line .

⑰

- A solid arrow indicates the block No. the part in question is connected to.

When the parts were revised

Abbreviations used in the parts catalogue



Be sure to check the serial number!!



Ref. No.	Part No.	Description	Reqd. QTY						Serial No.
			BF 99D1	BFP 9.9D1	BF 10D1	BFP 10D1	BF 10B1	BFP 10B1	
1	12166-ZW9-000	STOPPER, ENGINE SIDE .....	2	2	2	2	2	2	
2	12210-ZW9-000ZA	HEAD COMP., CYLINDER *NH8* .....	1	1	1	1	1	1	
3	12251-ZW9-003	GASKET, CYLINDER HEAD .....	1	1	1	1	1	1	
4	12310-ZW9-000	COVER COMP., HEAD .....	1	1	1	1	1	1	
5	12312-ZW9-000	PACKING, HEAD COVER .....	1	1	1	1	1	1	
6	15611-921-000	CAP, OIL (NO GAUGE) .....	1	1	1	1	1	1	
7	16617-ZW9-000	HOLDER, CABLE (###) .....	1	1	1	1	1	1	
	16617-ZW9-010	.....	1	1	1	1	1	1	



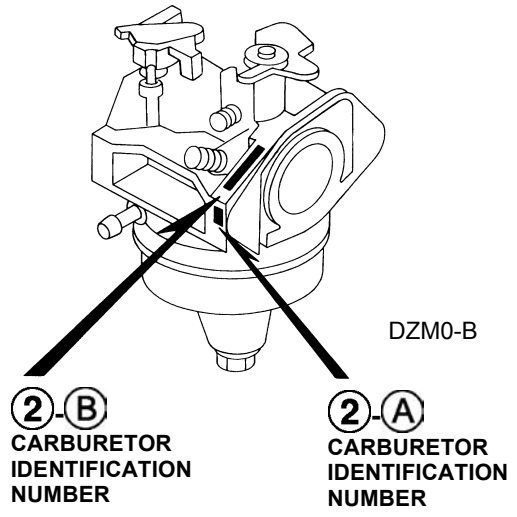
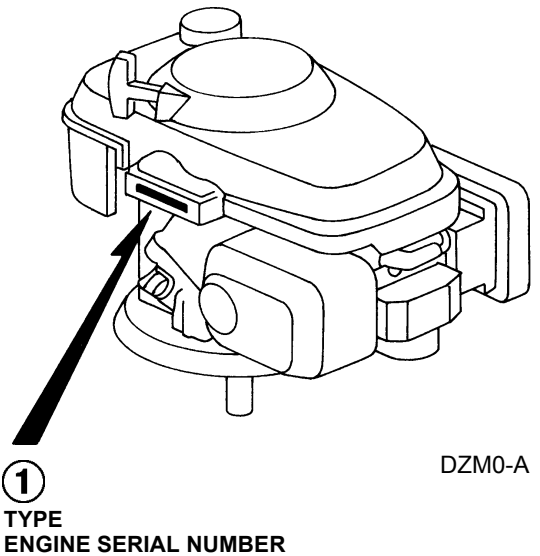
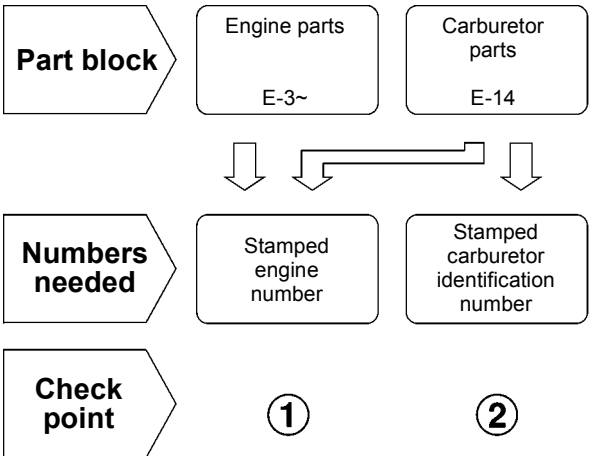
The number has been used from the initial model without revision. When shown at the left side, it is applicable to the models of No.1001801 and the subsequent numbers. When shown at the right side, it is applicable to the models up to No.1001800.

• The parts listed with "###" at the end of the parts name have limited supply period (parts not for sale).

• The following abbreviations are used in the parts name column.

- A ..... Ampere
- A.C. .... Alternating current
- ASSY. .... Assembly
- AT. .... Automatic transmission
- C.D.I. .... Capacitive discharge ignition
- COMP. ... Complete
- D.C. .... Direct current
- EX. .... Exhaust
- G.F.C.I ... Ground fault circuit interruptor
- HEX. .... Hexagonal
- H.S.T. .... Hydrostatic transmission
- FR. ....Front
- IN. ....Inlet
- L (100L) .Link (100 Links)
- L. ....Left
- MM .....Millimeter
- MT. ....Manual Transmission
- P.T.O. ....Power take off
- R. ....Right
- RR. ....Rear
- STD. ....Standard
- T (22T) ...Tooth (22 Teeth)
- V ..... Volt
- W .....Watt

How to check the part block and serial numbers





### Models, parts catalogue codes and applicable serial numbers

- Models, parts catalogue codes and applicable serial Nos. given in this parts catalogue can be identified as follows.

Model	Type	Parts catalogue type	Applicable engine serial No.	Applicable carburetor identification No.	
GCV135	A1A	A1A	GJAF-1000001~9999999	BB64B A/B/C, BB64F A	
	A1C	A1C			
	A1D	A1D			
	A1E	A1E	GJAF-1000001~9999999	BB64A A/B/C, BB64B C	
	A1E1	A1E1		BB64A A/B/C, BB64B C, BB64F A	
	A1E7	A1E7		BB64A A/B/C, BB64B C	
	A1E8	A1E8		BB64F A	
	A1J	A1J		BB64A A/B/C, BB64B C	
	A1U	A1U		BB64A A/B/C, BB64B C	
	A2A	A2A		BB64B A/B/C, BB64F A	
	A2C	A2C		BB64B A/B/C, BB64F A	
	A2D	A2D		GJAF-1000001~1000165	BB64A A/B/C, BB64B C
	A2E	A2E		GJAF-1000001~9999999	BB64A A/B/C, BB64B C, BB64F A
	A2E1	A2E1	BB64A A/B/C, BB64B C		
	A2E4	A2E4	BB64F A		
	A2E7	A2E7			
	A2E8	A2E8			
	A2E9	A2E9			
	A2G	A2G	BB64A A/B/C, BB64B C, BB64F A		
	A2G7	A2G7	BB64F A		
	A2R	A2R	BB64B C, BB64F A		
	A2U	A2U	BB64A A/B/C, BB64B C		
	A3E	A3E		GJAF-1000001~1000166	

Model	Type	Parts catalogue type	Applicable engine serial No.	Applicable carburetor identification No.
GCV135	A4E	A4E	GJAF-1000001~9999999	BB64A A/B/C, BB64B C
	A7E1	A7E1		BB64G A
	N1D	N1D		BB64A A/B/C, BB64B C, BB64F A
	N1E	N1E	GJAF-1000001~1602683	BB64A A/B/C, BB64B C
	N1E1	N1E1	GJAF-1000001~9999999	BB64A A/B/C, BB64B C, BB64F A
	N1G	N1G		BB64B C, BB64F A
	N1S	N1S		BB64F A
	N1S7	N1S7		BB64A A/B/C, BB64B C, BB64F A
	N1U	N1U		BB64A B/C, BB64B C, BB64F A
	N1W	N1W		BB64B C, BB64F A
	N1W1	N1W1		BB64F A
	N1W7	N1W7		BB64A A/B/C, BB64B C
	N1W8	N1W8		BB64A A/B/C, BB64B C, BB64F A
	N2D	N2D		BB64A A/B/C, BB64B C
	N2E	N2E		BB64A A/B/C, BB64B C, BB64F A
	N2E1	N2E1	GJAF-1000001~1029049	BB64A A/B/C, BB64B C
	N2E2	N2E2		BB64F A
	N2E3	N2E3		BB64A A/B/C, BB64B C, BB64F A
	N2E7	N2E7	GJAF-1000001~9999999	BB64F A
	N2E8	N2E8		BB64A A/B/C, BB64B C, BB64F A
	N2E9	N2E9		BB64G A
	N2U	N2U		
	N7E1	N7E1		

1

Model	Type	Parts catalogue type	Applicable engine serial No.	Applicable carburetor identification No.
GCV135	N7E2	N7E2	GJAF-1000001~9999999	BB64G A
GCV135E	A1E	A1E	GJAFE-1000001~	BB64F A
	A1E7	A1E7		
	A1E8	A1E8		
	A1G9	A1G9		
	A2E	A2E		
	A2E7	A2E7		
	A2E8	A2E8		
	A2E9	A2E9	GJAFE-1000001~9999999	BB64B C
	A2G	A2G		
	A2G4	A2G4	GJAFE-1000001~	BB64F A
	A2G7	A2G7		
	A2G9	A2G9		
	A2R	A2R		
	A7E1	A7E1		
	N1E	N1E	GJAFE-1000001~9999999	BB64G A
	N1G	N1G		
	N1S	N1S	GJAFE-1000001~	BB64B C
	N1S7	N1S7		
N1U	N1U			
N1W	N1W			
N1W7	N1W7			
N1W8	N1W8			

Model	Type	Parts catalogue type	Applicable engine serial No.	Applicable carburetor identification No.
GCV135E	N2E	N2E	GJAFE-1000001~	BB64F A
	N2E1	N2E1		
	N2E3	N2E3		
	N2E7	N2E7		
	N2E8	N2E8		
	N2E9	N2E9		
	N2KA	N2KA		
	N7E1	N7E1		BB64G A
	N7E2	N7E2		BB64H A
	S2E	S2E		
	S2E1	S2E1		
GCV160	A1A	A1A	GJAE-1000001~9999999	BB62B C/D
	A1C	A1C		BB62A C/D, BB62B D
	A1E	A1E		BB62B D
	A1E7	A1E7		BB62A C/D, BB62B D
	A1E8	A1E8		BB62B D
	A1G7	A1G7		BB62B D
	A1J	A1J		BB62B C/D
	A1P	A1P		
	A1U	A1U		
	A1W2	A1W2		
	A1W7	A1W7		
	A2A	A2A		

1

Model	Type	Parts catalogue type	Applicable engine serial No.	Applicable carburetor identification No.
GCV160	A2C	A2C	GJAE-1000001~9999999	BB62B C/D
	A2E	A2E		BB62A C/D, BB62B D
	A2E4	A2E4		BB62B D
	A2E7	A2E7		
	A2E8	A2E8		
	A2E9	A2E9		
	A2G7	A2G7		
	A2R	A2R		
	A2U	A2U		BB62A C/D, BB62B D
	A3E	A3E		
	A4E	A4E	GJAE-1000001~1000107	
	A7E1	A7E1	GJAE-1000001~9999999	BB62F A
	N1	N1		BB62A C/D, BB62B D
	N1D	N1D		
	N1E1	N1E1		
	N1E2	N1E2		
	N1E7	N1E7		BB62B D
	N1J1	N1J1		
	N1R	N1R		BB62A C/D, BB62B D
	N1U	N1U		
N1W	N1W			
N1W1	N1W1	BB62B D		
N1W2	N1W2			

Model	Type	Parts catalogue type	Applicable engine serial No.	Applicable carburetor identification No.
GCV160	N1W7	N1W7	GJAE-1000001~9999999	BB62B D
	N1W8	N1W8		
	N1W9	N1W9		
	N2	N2		BB62A C/D, BB62B D
	N2D	N2D		
	N2E	N2E		
	N2E1	N2E1		
	N2E2	N2E2		
	N2E3	N2E3		
	N2E7	N2E7		
	N2E8	N2E8		BB62B D
	N2E9	N2E9		
	N2U	N2U		BB62A C/D, BB62B D
	N3U	N3U		BB62B D
	N3V	N3V		BB62A C/D, BB62B D
N7A1	N7A1	BB62F A		
GCV160A	A1A	A1A	GJAEA-1000001~	BB62B D
	A1AE	A1AE		
	A1AF	A1AF		
	A1AS	A1AS		
	A1C	A1C		
	A1E	A1E		
	A1E7	A1E7		

1

Model	Type	Parts catalogue type	Applicable engine serial No.	Applicable carburetor identification No.
GCV160A	A1E8	A1E8	GJAEA-1000001~	BB62B D
	A1W7	A1W7		
	A2A	A2A		
	A2C	A2C		
	A2E7	A2E7		
	A2E8	A2E8		
	A2E9	A2E9		
	A2G7	A2G7		
	A2R	A2R		
	A3A	A3A		
	A3E	A3E		
	A7E1	A7E1	GJAEA-8000001~	BB62F A
	BHH	BHH		BB62B D
	EHHB	EHHB		
	E1A2	E1A2		
	E1A4	E1A4		
	E1G7	E1G7		
	E2G7	E2G7		
	E5A4	E5A4		
	N1A	N1A		
N1AF	N1AF			
N1C	N1C			
N1E1	N1E1			

Model	Type	Parts catalogue type	Applicable engine serial No.	Applicable carburetor identification No.
GCV160A	N1E7	N1E7	GJAEA-1000001~	BB62B D
	N1R	N1R		
	N1U	N1U		
	N1W7	N1W7		
	N1W8	N1W8		
	N1W9	N1W9		
	N2E7	N2E7		
	N2E8	N2E8		
	N2E9	N2E9		
	N2U	N2U		
	N3U	N3U		
	N3V	N3V		
	N5A	N5A		
	N5AF	N5AF		
	N5C	N5C		
	N7A1	N7A1		BB62F A
	R1A	R1A	GJAEA-8000001~	BB62G A
	R3A	R3A		
	R3A1	R3A1		
	STA1	STA1	GJAEA-1000001~	
S1A	S1A			
S1A1	S1A1			
S3A	S3A			



1

Model	Type	Parts catalogue type	Applicable engine serial No.	Applicable carburetor identification No.
GCV135A	N1A	N1A	GJAFA-1000001~9999999	BB64F A
	N5A	N5A		
GCV160E	A1E7	A1E7	GJAAE-1000001~	BB62B D
	A1E8	A1E8		
	A1G7	A1G7		
	A1G9	A1G9		
	A1P	A1P		
	A1W7	A1W7		
	A2A9	A2A9		
	A2E7	A2E7		
	A2E8	A2E8		
	A2E9	A2E9		
	A2G4	A2G4		
	A2G7	A2G7		
	A2G9	A2G9		
	A2R	A2R		
	A3E7	A3E7		
	A7E1	A7E1		BB62F A
	N1D	N1D		BB62B D
	N1E1	N1E1		
N1E2	N1E2			
N1E7	N1E7			
N1J1	N1J1			

Model	Type	Parts catalogue type	Applicable engine serial No.	Applicable carburetor identification No.
GCV160E	N1R	N1R	GJAAE-1000001~	BB62B D
	N1T8	N1T8		
	N1T9	N1T9		
	N1W7	N1W7		
	N1W8	N1W8		
	N1W9	N1W9		
	N2E7	N2E7		
	N2E8	N2E8		
	N2E9	N2E9		
	N7A1	N7A1		BB62F A
	S1E1	S1E1		BB62G A
	S2E	S2E		
	S2E1	S2E1		

\* Of carburetor identification numbers, only the portions underlined in the example below are used for registration.

BB 64B A KC ナ  
 (A) (B)

Features of each type

• See the following table for the features of each type.

Specifications		Model	GCV135													
		Type	A1A	A1C	A1D	A1E	A1E1	A1E7	A1E8	A1J	A1U	A2A	A2C	A2D	A2E	A2E1
Crankshaft	20Ø×133.8mm															
	22.2Ø×100.4mm															
	22.2Ø×117.4mm										•	•	•	•	•	
	22.2Ø×135.7mm	•	•	•	•	•	•	•	•	•						
	25Ø×117.4mm															
	25Ø×135.7mm															
Recoil starter																
Recoil starter (Long rope)		•	•	•	•	•	•	•	•	•	•	•	•	•	•	
Flywheel brake		•	•	•	•	•	•	•	•	•	•	•	•	•	•	

Specifications		Model	GCV135												
		Type	A2E4	A2E7	A2E8	A2E9	A2G	A2G7	A2R	A2U	A3E	A4E	A7E1	N1D	N1E
Crankshaft	20Ø×133.8mm														
	22.2Ø×100.4mm														
	22.2Ø×117.4mm	•	•	•	•	•	•	•	•			•			
	22.2Ø×135.7mm												•	•	•
	25Ø×117.4mm										•				
	25Ø×135.7mm									•					
Recoil starter								•				•	•	•	•
Recoil starter (Long rope)		•	•	•	•	•	•		•	•	•				
Flywheel brake		•	•	•	•	•	•		•	•	•	•			

Specifications		Model	GCV135													
		Type	N1G	N1S	N1S7	N1U	N1W	N1W1	N1W7	N1W8	N2D	N2E	N2E1	N2E2	N2E3	N2E7
Crankshaft	20Ø×133.8mm		●													
	22.2Ø×100.4mm															
	22.2Ø×117.4mm									●	●	●	●	●	●	
	22.2Ø×135.7mm			●	●	●	●	●	●	●						
	25Ø×117.4mm															
	25Ø×135.7mm															
Recoil starter					●					●	●	●	●	●	●	
Recoil starter (Long rope)			●	●	●		●	●	●	●						
Flywheel brake				●	●											

Specifications		Model	GCV135					GCV135E								
		Type	N2E8	N2E9	N2U	N7E1	N7E2	A1E	A1E7	A1E8	A1G9	A2E	A2E7	A2E8	A2E9	A2G
Crankshaft	20Ø×133.8mm															
	22.2Ø×100.4mm															
	22.2Ø×117.4mm		●	●	●	●	●					●	●	●	●	●
	22.2Ø×135.7mm						●	●	●	●						
	25Ø×117.4mm															
	25Ø×135.7mm															
Recoil starter			●	●	●	●	●				●					
Recoil starter (Long rope)							●	●	●		●	●	●	●	●	●
Flywheel brake							●	●	●	●	●	●	●	●	●	●

1

Specifications		Model	GCV135E												
		Type	A2G4	A2G7	A2G9	A2R	A7E1	N1E	N1G	N1S	N1S7	N1U	N1W	N1W7	N1W8
Crankshaft	20Ø×133.8mm							●							
	22.2Ø×100.4mm														
	22.2Ø×117.4mm	●	●	●	●	●									●
	22.2Ø×135.7mm						●		●	●	●	●	●	●	
	25Ø×117.4mm														
	25Ø×135.7mm														
Recoil starter			●		●	●	●					●			●
Recoil starter (Long rope)				●					●	●	●		●	●	●
Flywheel brake			●	●	●		●			●	●				

Specifications		Model	GCV135E									GCV160			
		Type	N2E1	N2E3	N2E7	N2E8	N2E9	N2KA	N7E1	N7E2	S2E	S2E1	A1A	A1C	A1E
Crankshaft	20Ø×133.8mm														
	22.2Ø×100.4mm														
	22.2Ø×117.4mm	●	●	●	●	●	●	●	●	●	●				
	22.2Ø×135.7mm											●	●	●	●
	25Ø×117.4mm														
	25Ø×135.7mm														
Recoil starter			●	●	●	●	●		●	●		●			
Recoil starter (Long rope)								●			●		●	●	●
Flywheel brake											●	●	●	●	●

Specifications		Model	GCV160													
		Type	A1E8	A1G7	A1J	A1P	A1U	A1W2	A1W7	A2A	A2C	A2E	A2E4	A2E7	A2E8	A2E9
Crankshaft	20Ø×133.8mm															
	22.2Ø×100.4mm															
	22.2Ø×117.4mm								●	●	●	●	●	●	●	●
	22.2Ø×135.7mm	●	●	●	●	●	●	●								
	25Ø×117.4mm															
	25Ø×135.7mm															
Recoil starter																
Recoil starter (Long rope)		●	●	●	●	●	●	●	●	●	●	●	●	●	●	●
Flywheel brake		●	●	●	●	●	●	●	●	●	●	●	●	●	●	●

Specifications		Model	GCV160													
		Type	A2G7	A2R	A2U	A3E	A4E	A7E1	N1	N1D	N1E1	N1E2	N1E7	N1J1	N1R	N1U
Crankshaft	20Ø×133.8mm															
	22.2Ø×100.4mm															
	22.2Ø×117.4mm	●	●	●			●									
	22.2Ø×135.7mm							●	●	●	●	●	●	●	●	●
	25Ø×117.4mm					●										
	25Ø×135.7mm				●											
Recoil starter			●				●		●	●	●	●	●		●	
Recoil starter (Long rope)		●		●	●	●		●						●		
Flywheel brake		●		●	●	●	●	●								

Specifications		Model	GCV160													
		Type	N1W	N1W1	N1W2	N1W7	N1W8	N1W9	N2	N2D	N2E	N2E1	N2E2	N2E3	N2E7	N2E8
Crankshaft	20Ø×133.8mm															
	22.2Ø×100.4mm															
	22.2Ø×117.4mm							•	•	•	•	•	•	•	•	•
	22.2Ø×135.7mm	•	•	•	•	•	•									
	25Ø×117.4mm															
	25Ø×135.7mm															
Recoil starter									•	•	•	•	•	•	•	•
Recoil starter (Long rope)		•	•	•	•	•	•	•								
Flywheel brake								•								

Specifications		Model	GCV160					GCV160A								
		Type	N2E9	N2U	N3U	N3V	N7A1	A1A	A1AE	A1AF	A1AS	A1C	A1E	A1E7	A1E8	A1W7
Crankshaft	20Ø×133.8mm															
	22.2Ø×100.4mm															
	22.2Ø×117.4mm	•	•			•										
	22.2Ø×135.7mm						•	•	•	•	•	•	•	•	•	
	25Ø×117.4mm															•
	25Ø×135.7mm			•	•											
Recoil starter		•	•		•	•										
Recoil starter (Long rope)				•			•	•	•	•	•	•	•	•	•	•
Flywheel brake							•	•	•	•	•	•	•	•	•	

Specifications		Model	GCV160A												
		Type	A2A	A2C	A2E7	A2E8	A2E9	A2G7	A2R	A3A	A3E	A7E1	BHH	EHHB	E1A2
Crankshaft	20Ø×133.8mm											•	•		
	22.2Ø×100.4mm														
	22.2Ø×117.4mm	•	•	•	•	•	•	•			•				
	22.2Ø×135.7mm													•	•
	25Ø×117.4mm														
	25Ø×135.7mm									•	•				
Recoil starter								•			•				•
Recoil starter (Long rope)		•	•	•	•	•	•		•	•		•	•	•	
Flywheel brake		•	•	•	•	•	•		•	•	•			•	

Specifications		Model	GCV160A												
		Type	E1G7	E2G7	E5A4	N1A	N1AF	N1C	N1E1	N1E7	N1R	N1U	N1W7	N1W8	N1W9
Crankshaft	20Ø×133.8mm														
	22.2Ø×100.4mm			•											
	22.2Ø×117.4mm		•												•
	22.2Ø×135.7mm	•			•	•	•	•	•	•	•	•	•	•	
	25Ø×117.4mm														
	25Ø×135.7mm														
Recoil starter				•	•	•	•	•	•		•				•
Recoil starter (Long rope)		•	•							•		•	•	•	
Flywheel brake		•	•												



Specifications		Model	GCV160A													
		Type	N2E8	N2E9	N2U	N3U	N3V	N5A	N5AF	N5C	N7A1	R1A	R3A	R3A1	STA1	S1A
Crankshaft	20 $\varnothing$ ×133.8mm															
	22.2 $\varnothing$ ×100.4mm						•	•	•							
	22.2 $\varnothing$ ×117.4mm	•	•	•						•						
	22.2 $\varnothing$ ×135.7mm										•					•
	25 $\varnothing$ ×117.4mm															
	25 $\varnothing$ ×135.7mm				•	•							•	•	•	
Recoil starter			•	•	•		•	•	•	•						
Recoil starter (Long rope)					•						•	•	•	•	•	
Flywheel brake											•	•	•	•	•	

Specifications		Model	GCV160A		GCV135A		GCV160E									
		Type	S1A1	S3A	N1A	N5A	A1E7	A1E8	A1G7	A1G9	A1P	A1W7	A2A9	A2E7	A2E8	A2E9
Crankshaft	20 $\varnothing$ ×133.8mm															
	22.2 $\varnothing$ ×100.4mm				•											
	22.2 $\varnothing$ ×117.4mm											•	•	•	•	
	22.2 $\varnothing$ ×135.7mm	•		•		•	•	•	•	•	•					
	25 $\varnothing$ ×117.4mm															
	25 $\varnothing$ ×135.7mm		•													
Recoil starter				•	•				•			•				
Recoil starter (Long rope)		•	•			•	•	•		•	•		•	•	•	
Flywheel brake		•	•			•	•	•	•	•		•	•	•	•	

Specifications		Model	GCV160E													
		Type	A2G4	A2G7	A2G9	A2R	A3E7	A7E1	N1D	N1E1	N1E2	N1E7	N1J1	N1R	N1T8	N1T9
Crankshaft	20Ø×133.8mm															
	22.2Ø×100.4mm															
	22.2Ø×117.4mm	●	●	●	●		●									
	22.2Ø×135.7mm							●	●	●	●	●	●	●	●	●
	25Ø×117.4mm															
	25Ø×135.7mm						●									
Recoil starter			●		●	●		●	●	●	●	●				
Recoil starter (Long rope)				●			●						●	●	●	
Flywheel brake			●	●	●		●	●								

Specifications		Model	GCV160E									
		Type	N1W7	N1W8	N1W9	N2E7	N2E8	N2E9	N7A1	S1E1	S2E	S2E1
Crankshaft	20Ø×133.8mm											
	22.2Ø×100.4mm											
	22.2Ø×117.4mm				●	●	●	●		●	●	
	22.2Ø×135.7mm	●	●	●					●			
	25Ø×117.4mm											
	25Ø×135.7mm											
Recoil starter					●	●	●	●	●			●
Recoil starter (Long rope)			●	●	●					●		
Flywheel brake									●	●	●	

## Fuel hose, general purpose hoses and vinyl hose

- The standard part fuel hose, general purpose hose and vinyl hose may be substituted by the coiled bulk part.
- When ordering the standard part fuel hose, general purpose hose and vinyl hose use the bulk part number written in the parts catalog in brackets ( ) underneath the part name.
- When exchanging the hose, cut and use at the specified length as mentioned in the part name.  
(For the method of cutting the bulk part, and method of filling out orders etc., please refer to the instructions issued with the bulk part.)

### Bulk part number of fuel hose, general purpose hose and vinyl hose.

Example: 9 5 0 0 1 - 7 5 0 0 1 - 5 0 M

**Bulk part number:**  
Refers to the bulk part.

**Marking code (fuel hose and general purpose hose)**

**Change code (Vinyl hose)**

Indicates number mark or change sequence, however, the code for the bulk part must be strictly 0 (zero).

**Types of code:**

- |             |  |                |  |              |   |
|-------------|--|----------------|--|--------------|---|
| • Fuel hose | 2: Red outside braid<br>(3 mm inside dia. only)        | • General hose | 1: Ash gray<br>2: Ash gray<br>3: Black<br>5: Black | • Vinyl hose | 1: Clear<br>2: Black<br>3: Light red<br>6: Light red<br>7: Pale black |
|             | 5: Black inside braid                                  |                |  |              |   |
|             | 3: Red (3 mm inside dia. only)                         |                |  |              |   |
|             | 4: Ash gray with red stripe<br>(3 mm inside dia. only) |                |  |              |   |
|             | 6: Black   |                |  |              |   |

**Lengths:**

- 001: 1 m (standard)  
003: 3 m  
008: 8 m } Application or specification of some parts is not settled.

**I.D code: (fuel hose and general purpose hose)**

- |            |                    |                    |                             |                             |
|------------|--------------------|--------------------|-----------------------------|-----------------------------|
| 30: 3.0 mm | 50: 5.0 mm         | 70: 7.0 mm         | 11: 11 mm                   | 12: 12 (outside dia. 17) mm |
| 35: 3.5 mm | 55: 5.3 mm, 5.5 mm | 75: 7.3 mm, 7.5 mm | 91: 12 (outside dia. 15) mm | 14: 14 mm                   |
| 45: 4.5 mm | 65: 6.5 mm         | 80: 8.0 mm         | 92: 12 (outside dia. 16) mm | 17: 17 mm                   |

**ID./OD. code: (vinyl hose)**

- |                         |                          |                           |                           |                           |
|-------------------------|--------------------------|---------------------------|---------------------------|---------------------------|
| 01: ID. 2.9, OD. 6.8 mm | 12: ID. 5.0, OD. 7.0 mm  | 21: ID. 8.0, OD. 9.0 mm   | 37: ID. 11.0, OD. 15.0 mm | 50: ID. 16.0, OD. 19.0 mm |
| 03: ID. 3.0, OD. 6.0 mm | 10: ID. 5.0, OD. 8.0 mm  | 23: ID. 8.0, OD. 12.0 mm  | 38: ID. 12.0, OD. 13.0 mm | 55: ID. 17.5, OD. 20.5 mm |
| 05: ID. 3.5, OD. 6.5 mm | 11: ID. 5.0, OD. 9.0 mm  | 25: ID. 9.0, OD. 11.0 mm  | 39: ID. 12.0, OD. 14.0 mm | 60: ID. 22.0, OD. 27.0 mm |
| 07: ID. 4.0, OD. 7.0 mm | 14: ID. 6.0, OD. 9.0 mm  | 27: ID. 9.0, OD. 13.0 mm  | 40: ID. 12.0, OD. 16.0 mm |                           |
| 08: ID. 4.5, OD. 6.5 mm | 17: ID. 7.0, OD. 9.0 mm  | 33: ID. 10.0, OD. 14.0 mm | 43: ID. 13.0, OD. 15.0 mm |                           |
| 09: ID. 4.5, OD. 8.0 mm | 19: ID. 7.0, OD. 11.0 mm | 36: ID. 11.0, OD. 13.0 mm | 45: ID. 14.0, OD. 18.0 mm |                           |

**Hose type:**

- 1: Fuel hose  
3: Vinyl hose  
5: General hose

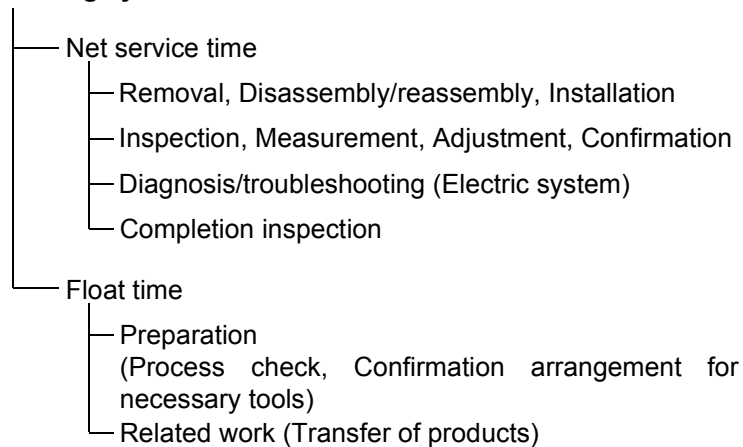
⊙ **CAUTION: It is DANGEROUS to confuse the fuel hose with the general purpose hose or vinyl hose.**

Never use a general purpose hose or vinyl hose in place of a fuel hose or vice versa. Always use the correct bulk part in the parts catalogue, according to the service manual or the instructions issued with the bulk part.

## FLAT RATE SERVICE TIME

Flat rate service time (FRT) means the standard time required to service a product, which is listed in this manual to help the dealers control the actual working process and calculate the service charge by using it as a guide.

### FRT setting system



\* Float time is set by multiplying the net service time by a given coefficient.

### Editorial style

The service items shown in the text are listed with the exchange work time for the repair sales parts as the subject. Other representative service items not using repair parts (removal/installation, adjustment, inspection/measuring, and other work) are listed collectively in the list in the preface, classified according to the work.

### FRT setting standard

- Decimal system (in unit of 0.1) is adopted to set FRT as it is convenient to calculate the wage.  
Example: (0.1) → 6 minutes, (0.2) → 12 minutes  
[Labor cost per hour] x [FRT] = [Wage]
- FRT is set with a hand tool.
- Service items and FRT can be subject to change depending on development of tools and service equipment and improvement in service procedure.

**Work procedure**

- As the work procedure is set with the work time according to the method in the separate Service Manual, refer to this Manual as required.
- Work methods permitting servicing in the shortest time still permitting assurance of safe work and product warranty are used for the setting of service items not listed in the Service Manual.
- Work basically is to be performed by one person, and when two or more people are required, setting is done as the total time for the number of people.
- The set value for the technological level of the workers uses a person with three years of experience in the repair of Honda products as the standard.
- Special tools and service equipment used to set FRT are those specified or recommended in Service Manual.

**Service item whose FRT is not presented**

- Accessories and service parts that are not listed to use in this manual.
  - Locations with little aging deterioration or breakage during normal use.
  - Service work that can be finished by one touch.
  - Service work that is seldom done (i.e. extremely small causes of trouble and service frequency).
  - Products and parts whose location for installation differs according to its status of use and application.
- \* When FRT is not presented, please calculate wages based on appropriate actual work time.

**Operation not included of FRT**

- Oil and coolant water drainig, Waiting time for warming up operation and etc..
- Additional operation that involves removal/installation of standard exterior equipment.
- Indirect time spent for service by visiting the customer, trade-in, and delivery.
- Indirect time required for ordering and delivery of parts.
- Cost for grease, adhesive agent, etc. used for service work.

**Explanation of FRT by using an example  
(The example may differ from the actual presented items)**

Ref. No.	L.O.N.	(Relative ref. Number) Description	F.R.T.
①	1111L1	(1, 3, 4, 7) VALVE, INTAKE ..... 4.1	②
③	1111L1A	• NOTE: OHV type • Includes: Engine removal and installation One head (intake all) add ..... 1.4	⑦ ⑤

- ① Reference No. of the illustration of part that shows location of the replacement work.
- ② FRT is an abbreviation of Flat Rate Time indicating the standard service time required for the replacement.
- ③ LON is an abbreviation of Labor Operation Number, and it is a classification of the service items by the work unit code.

The same operation code is used regardless of the models.

Standard operation is indicated with 6 digits code, and additional operation is indicated with 7 digits code.

- ④ Indicating the intake valve replacement and FRT4.1.
- ⑤ Indicating FRT1.4 that will be added when additional operation (whole intake side of one cylinder head) is done in association with intake valve replacement.

- ⑥ Indicating work condition or application condition of the service item.
- ⑦ Indicating work contents that are included in the service item.
- ⑧ Indicating a reference No. whose operation and time are the same as FRT4.1 for the intake valve.

(The application range is limited to the service items without an LON setting within a same block.)

**How to refer to the service item by using the sample  
(intake valve replacement)**

Open to the page of the block where the intake valve's spare part illustration is shown.



Look for the intake valve illustration, and refer to the service item and FRT that agree with the reference No.

Indication mark for the listing of service items that continues to the following page

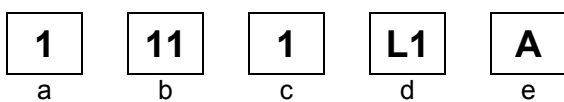
Ref. No.	L.O.N.	(Relative ref. Number) Description	F.R.T.
2	1111L1	VALVE, INTAKE .....	4.1
	.	.	.
	.	.	.

+  
Mark indicated at the last line.

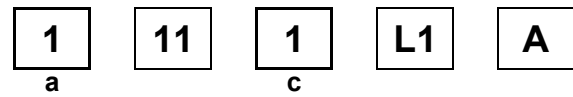
Indication of the block with no setting of FRT

Ref. No.	L.O.N.	(Relative ref. Number) Description	F.R.T.
NO INFORMATION .....			

• LON code system



- a) Category code..... Engine
- b) Location/function code ..... Engine upper
- c) Operation code..... Replace
- d) Operation sequence number (Unit code can be shown with alphabet)  
..... Intake valve  
(No regular rule of code)
- e) Additional code ..... One head (intake all)  
(No regular rule of code)



a) Category codes and classification

Code	Category
1	Engine
2	Power drive
3	Fuel & Exhaust
4	Frame & Body
5	Steering
6	Electrical
7	Axle & Brake
8	Control system
9	-
0	Attachments

c) Operation codes and classification

Code	Operation category
1	Replace, Removal/Installation, Change
2	Overhaul
3	Adjust, Rotation
4	(Paint-related work: Top-coat)
5	Test, Inspect/diagnose, Measurement
6	(Overhaul-related work: Rebore)
7	(Overhaul-related work: Reseal)
8	(Resurface)
9	(Paint-related work: Refinish)
0	Repair, Cleaning, Air bleeding

Major service items without using spare parts

(1) Removal/Installation, (2) Adjustment, (3) Inspection/Measurement, (4) Overhaul, (5) Other work

E: Engine, T: Transmission, D: Drive system, B: Body and related parts

## (2) Adjustment

	LON	DESCRIPTION	FRT
E	1113A1	<b>VALVE CLEARANCE-ADJUSTMENT</b> NOTE: For 1 product	0.3
	1163A0	<b>CONTROL, THROTTLE/GOVERNOR-ADJUSTMENT</b>	0.2
	3113A2	<b>CARBURETOR IDLE-ADJUSTMENT</b>	0.2

## (3) Inspection, Measurement, Cleaning

	LON	DESCRIPTION	FRT
E	1105A0	<b>ENGINE OIL-INSPECTION</b>	0.1
	3120A0	<b>AIR CLEANER-CLEANING</b> INCLUDES: Air cleaner-inspection	0.1
	3130A0	<b>SPARK ARRESTER-CLEANING</b>	0.2
	6140A0	<b>SPARK PLUG-CLEANING</b> INCLUDES: Spark plug gap-adjustment	0.2
	6145A0	<b>SPARK-TEST</b> NOTE: All cylinders	0.2

## (4) Overhaul

Work condition: The required Measurements, inspections, adjustments, and cleaning/washing of each part are performed, including the main body removal/installation work and the replacement of defective parts.

	LON	DESCRIPTION	FRT
E	3112A0	<b>CARBURETOR-OVERHAUL</b> INCLUDES: All necessary adjustment	0.6

## (5) Other work

	LON	DESCRIPTION	FRT
E	1101E1	<b>ENGINE OIL-CHANGE</b> INCLUDES: Engine oil-inspection	0.1



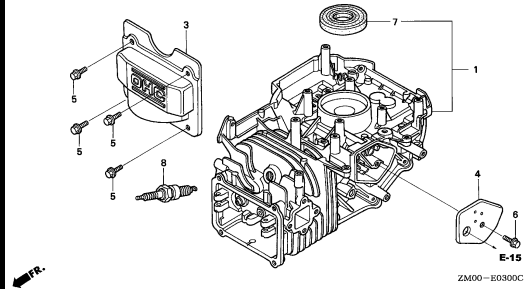
# ENGINE GROUP

**C14**

**E-3**

**CYLINDER BARREL**

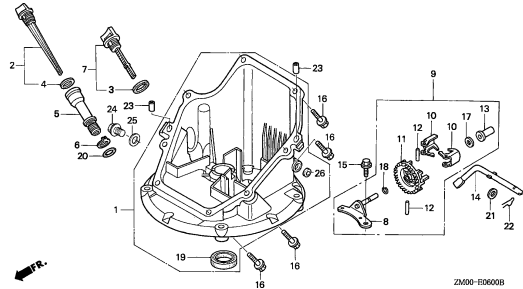
**D 1**



**E-6**

**OIL PAN**

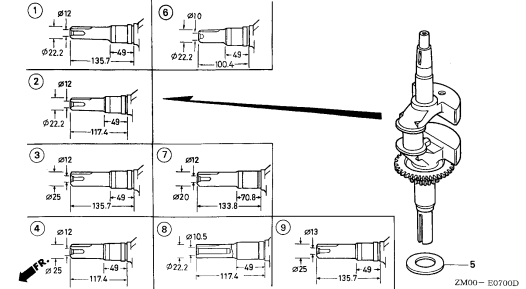
**D 3**



**E-7**

**CRANKSHAFT**

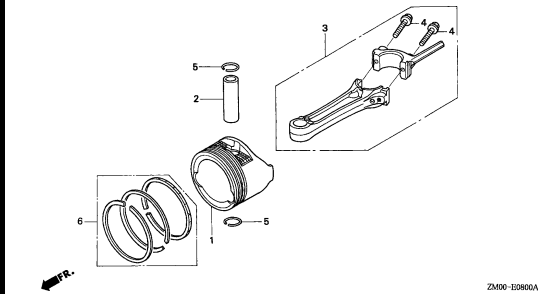
**D 7**



**E-8**

**PISTON/CONNECTING ROD**

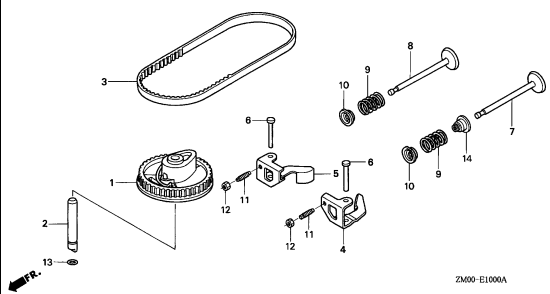
**D 8**



**E-10**

**CAMSHAFT PULLEY**

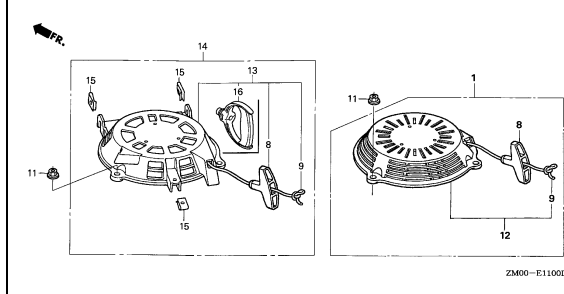
**D10**



**E-11**

**RECOIL STARTER**

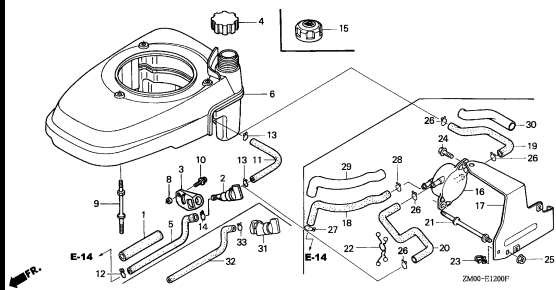
**D14**



**E-12**

**FAN COVER**

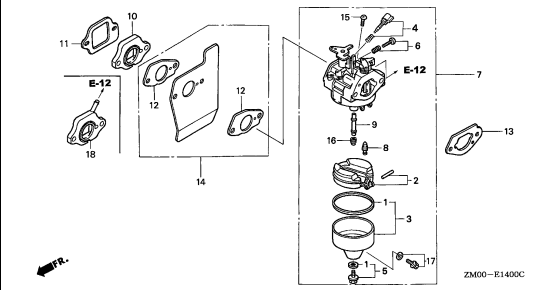
**E 1**



**E-14**

**CARBURETOR**

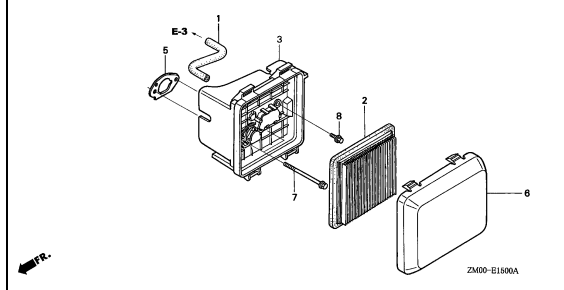
**E 8**



**E-15**

**AIR CLEANER**

**E12**



**2**

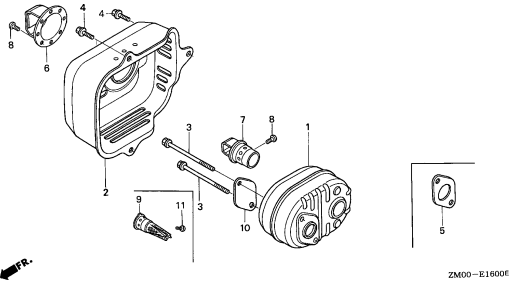
# ENGINE GROUP

**C15**

**E-16**

**MUFFLER**

**E14**

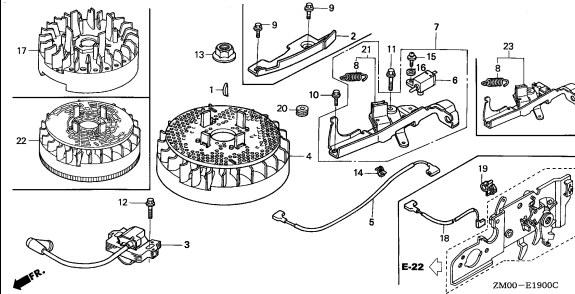


ZM00-E1600E

**E-19**

**FLYWHEEL**

**E16**

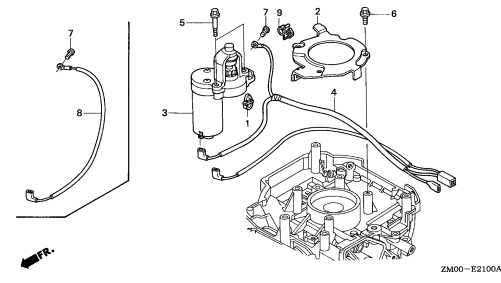


ZM00-E1900C

**E-21**

**STARTER MOTOR**

**F 3**

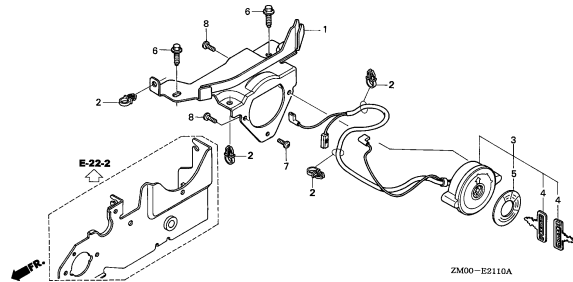


ZM00-E2100A

**E-21-10**

**COMBINATION SWITCH**

**F 4**

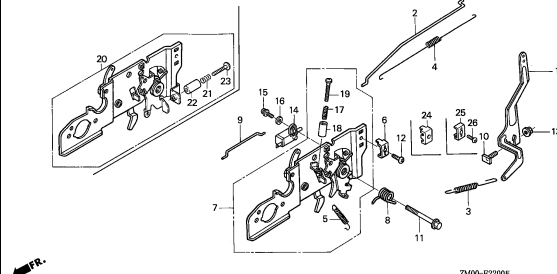


ZM00-E2110A

**E-22**

**CONTROL(1)**

**F 5**

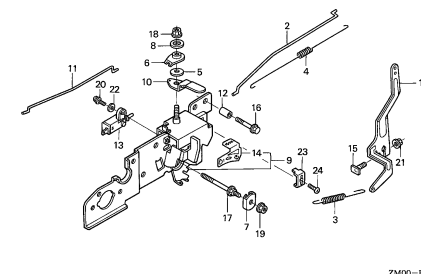


ZM00-E2200E

**E-22-1**

**CONTROL(2)**

**F11**

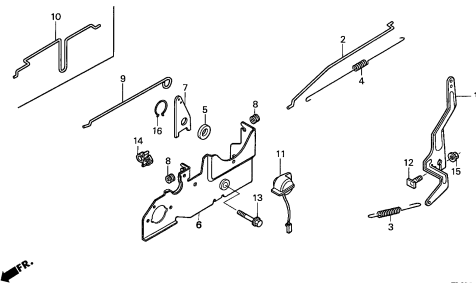


ZM00-E2201C

**E-22-2**

**CONTROL(3)**

**F13**

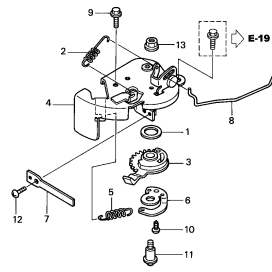


ZM00-E2202B

**E-22-3**

**CHOKE BASE**

**F14**

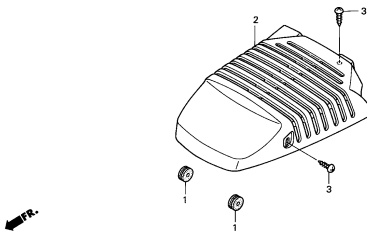


ZM00-E2203

**E-27**

**TOP COVER**

**F15**



ZM00-E2700

**2**

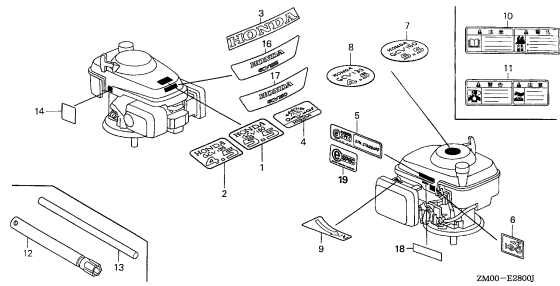
# ENGINE GROUP

C16

E-28

LABEL

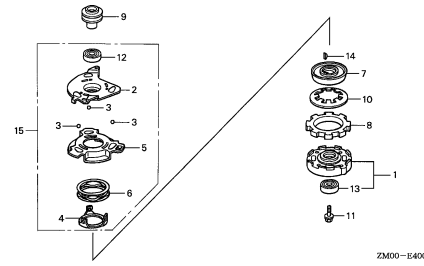
F16



E-40

BLADE HOLDER

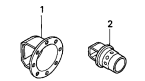
G 2



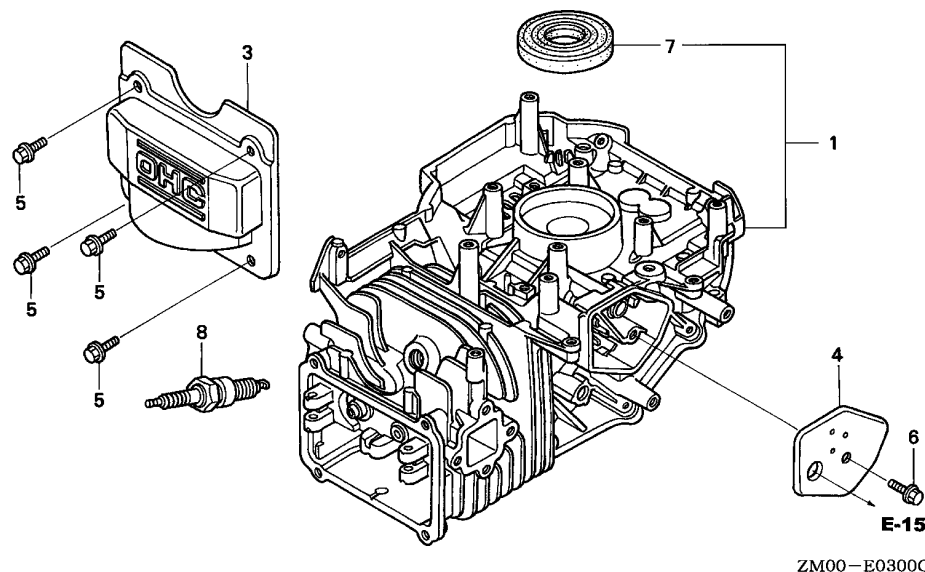
E-40-1

MUFFLER CAP

G 3



2



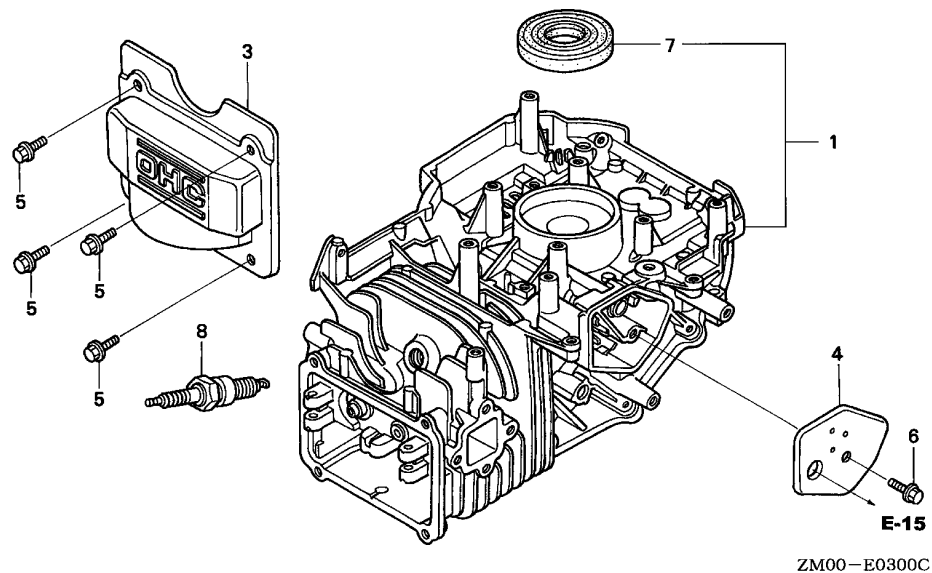
Ref. No.	L.O.N.	(Relative ref. Number) Description	F.R.T.
1	1101A0	BARREL, CYLINDER .....	1.6
3	1111D5	COVER, CYLINDER HEAD AND/OR PACKING, HEAD COVER .....	0.2
4	1111D1	COVER, BREATHER AND/OR PACKING, BREATHER COVER .....	0.2
7	1101E6	OIL SEAL, CRANKSHAFT :UPPER ..	1.3
8	6141C1	PLUG, SPARK .....	0.1

.INCLUDES: All spark plug check

FR.

2

Ref. No.	Part No.	Description	Reqd. QTY						Serial No.	Parts catalogue code
			GCV 135 E	GCV 135	GCV 160	GCV 160 A	GCV 135 A	GCV 160 E		
1	12000-ZL9-000	BARREL ASSY., CYLINDER .....	1	-	-	-	-	-	1115956	A1A,A1C,A1D,A1E,A1E1,A1J,A1U,A2A,A2C,A2D,A2E,A2E1,A2G A2U,A3E,A4E,N1D,N1E,N1E1,N1G,N1U,N2D,N2E,N2E1,N2E2 N2E3,N2U
	12000-ZL8-000	.....	-	-	1	-	-	-	1286131	A1A,A1C,A1E,A1J,A1P,A1U,A2A,A2C,A2E,A2U,A3E,A4E,N1,N1D N1E1,N1E2,N1U,N2,N2D,N2E,N2E1,N2E2,N2E3,N2U
	12000-ZL8-405	.....	-	-	1	1	-	-	-----	A1W2,A2E4,A2R,N1A,N1W,N1W1,N1W2,N5A
		.....	-	-	1	-	-	-	-----	N3V
		.....	-	-	1	-	-	-	1286132	A1A,A1C,A1E,A1J,A1P,A1U,A2A,A2C,A2E,A2U,A3E,A4E,N1,N1D N1E1,N1E2,N1U,N2,N2D,N2E,N2E1,N2E2,N2E3,N2U
		.....	-	-	1	-	-	-	-----	A1A,A2A
	12000-ZL8-415	.....	-	-	1	1	-	-	-----	A1AE,A1AF,A1AS,A1E7,A1E8,A1G7,A1W7,A2E7,A2E8,A2E9,A2G7 A3A,A7E1,BHH,N1AF,N1C,N1E7,N1J1,N1R,N1W7,N1W8,N1W9 N2E7,N2E8,N2E9,N3U,N5AF,N5C,N7A1,STA1,S1A,S1A1,S3A A1C,A1E,A2C,A3E,N1E1,N1U,N2U,N3V
		.....	-	-	-	-	-	1	-----	A2E4,N1S,N1W,N1W1
	12000-ZL9-405	.....	1	1	-	-	-	-	-----	A2R
		.....	1	-	-	-	-	-	1115957	A1A,A1C,A1D,A1E,A1E1,A1J,A1U,A2A,A2C,A2D,A2E,A2E1,A2G A2U,A3E,A4E,N1D,N1E,N1E1,N1G,N1U,N2D,N2E,N2E1,N2E2 N2E3,N2U
		.....	-	1	-	-	-	-	-----	A1E,A2E,A2G,N1E,N1G,N2E,N2E1,N2E3
	12000-ZL9-415	.....	1	1	-	-	-	-	-----	A1E7,A1E8,A1G9,A2E7,A2E8,A2E9,A2G4,A2G7,A2G9,A7E1,N1S7 N1W7,N1W8,N2E7,N2E8,N2E9,N2KA,N7E1,N7E2,S2E,S2E1 A2R,N1U
		.....	-	-	-	-	1	-	-----	
	12000-Z0L-405	.....	-	-	-	1	-	-	-----	EHHB,E1A2,E1A4,E1G7,E2G7,E5A4,R1A,R3A,R3A1
3	12311-ZL8-000	COVER, HEAD .....	1	1	1	1	1	1		
4	12355-ZL8-000	COVER COMP., BREATHER .....	1	1	1	1	1	1		
5	90013-883-000	BOLT, FLANGE, 6X12(CT200) ...	4	4	4	4	4	4		



FR.

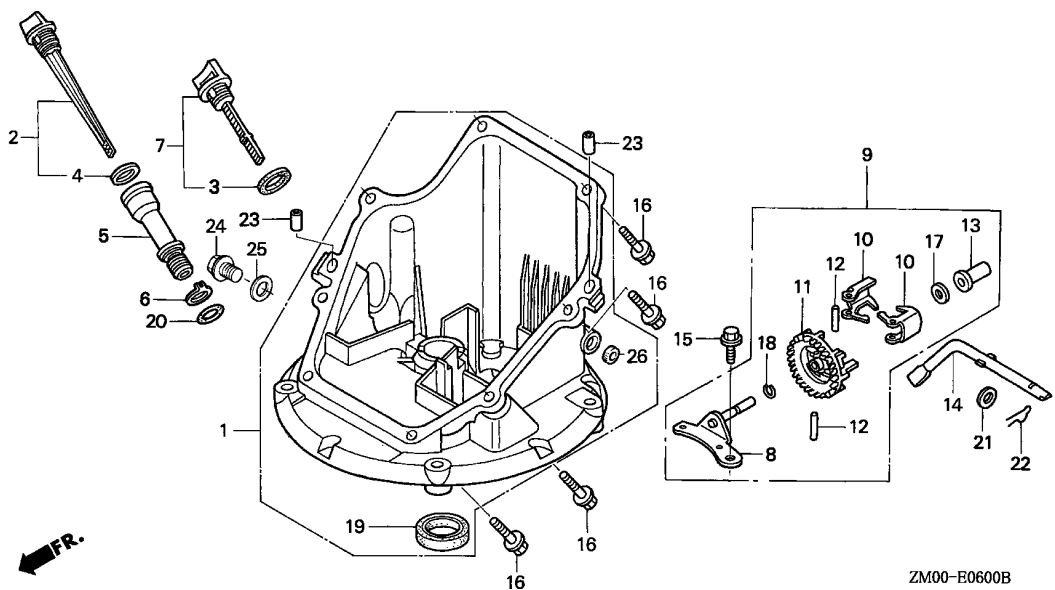
ZM00-E0300C

Ref. No.	Part No.	Description	Reqd. QTY						Serial No.	Parts catalogue code
			GCV 135	GCV 135 E	GCV 160	GCV 160 A	GCV 135 A	GCV 160 E		
6	90014-952-000	BOLT, FLANGE, 6X14(CT200) ...	1	1	1	1	1	1		
7	91201-ZL8-003	OIL SEAL, 25.4X62X6 .....	1	1	1	1	1	1		
8	98079-56846	PLUG, SPARK (BPR6ES)(NGK) ...	1	1	1	1	1	1		

E-6

OIL PAN

D 3

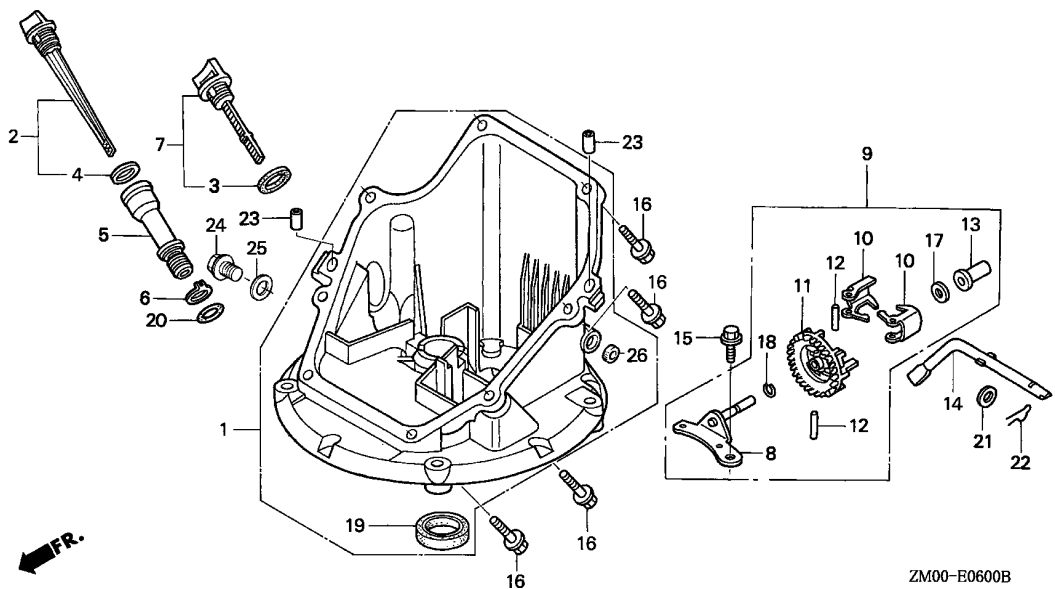


Ref. No.	L.O.N.	(Relative ref. Number) Description	F.R.T.
1	1131C1	PAN, OIL .....	0.6
5		(20)	
	1101B9	EXTENSION, OIL FILLER AND/OR PACKING, EXTENSION OIL FILLER (10)	0.1
11	1161A7	HOLDER, GOVERNOR WEIGHT .....	0.5
13	1161B6	SLIDER, GOVERNOR .....	0.5
14	1161B4	SHAFT, GOVERNOR ARM .....	0.4
19	1101E7	OIL SEAL, CRANKSHAFT :LOWER ..	0.5
25	1101D5	WASHER, DRAIN PLUG .....	0.1
26	1101C4	OIL SEAL, GOVERNOR ARM SHAFT .	0.5

ZM00-E0600B

Ref. No.	Part No.	Description	Reqd. QTY						Serial No.	Parts catalogue code
			GCV 135	GCV 135 E	GCV 160	GCV 160 A	GCV 135 A	GCV 160 E		
1	11300-ZM0-405	PAN ASSY., OIL .....	1	-	-	-	-	-	1094954 N2U	
			-	-	-	-	-	-	1243927 A1A,A2A	
			-	-	1	-	-	-	1212768 N2U	
			-	-	1	-	-	-	1565747 A1A,A2A	
	11300-ZM0-810	.....	1	-	1	-	-	-	A1E1,A2E1,A4E,N1E,N2E2	
			1	-	-	-	-	-	A3E,N2E3	
			1	-	-	-	-	-	1622339 A1E,A2C,A2E,A2E4,N1E1,N1S,N1W,N2E,N2E1	
			1	-	-	-	-	1243928	1622339 A1A,A2A	
			-	-	1	-	-	-	2272086 A1C,A1E,A2E,A2E4,A3E,N1E1,N1E2,N1W,N2E,N2E1,N2E3	
			-	-	1	-	-	1565748	2272086 A1A,A2A	
	11300-ZM0-V30	.....	-	-	1	-	-	-	2333245 A2R	
	11300-ZM0-406	.....	1	1	1	1	-	1	A1P,A1U,A2G,N1J1,N1R,N1U,N3U,N3V	
			1	-	-	-	-	-	1094955 1623804 N2U	
			-	-	1	-	-	-	1212769 2427111 N2U	
			-	-	1	-	-	-	N2U	
	11300-ZM0-405	.....	1	1	1	1	-	1	A1E7,A1E8,A1G7,A1J,A2E7,A2E8,A2E9,A2G7,A2U,N1,N1D,N1E7	
			-	-	-	-	-	-	N1W7,N2,N2D,N2E7,N2E8,N2E9	
			1	1	-	1	-	-	A1AE,A1AF,A1AS,A1C,A1D,A2D,N1S7	
			1	-	-	-	-	-	1622340 A1A,A1E,A2A,A2C,A2E,A2E4,N1E1,N1S,N1W,N2E,N2E1	
			1	-	-	-	-	-	1623805 N2U	
			-	1	-	1	-	1	A1A,A1E,A1G9,A2A,A2A9,A2E,A2G4,A2G9,A3A,A3E,A3E7,BHH	
			-	-	1	1	-	-	EHHB,E1A2,E1G7,E2G7,N1E,N1E1,N1E2,N1S,N1W,N2E,N2E1	
			-	-	1	1	-	-	N2E3,N2KA,R1A,R3A,R3A1,STA1,S1A,S1A1,S1E1,S2E,S2E1,S3A	
			-	-	1	1	-	-	A2C	
			-	-	1	-	-	-	2272087 A1A,A1C,A1E,A2A,A2E,A2E4,A3E,N1E1,N1E2,N1W,N2E,N2E1	
			-	-	1	-	-	-	2427112 N2U	
			-	-	1	-	-	-	A2R	
	11300-ZM0-407	.....	1	1	-	1	-	1	A2R	
			-	-	1	-	-	-	2333246 A2R	

2



Ref. No.	Part No.	Description	Reqd. QTY							Serial No.	Parts catalogue code
			GCV 135	GCV 135 E	GCV 160	GCV 160 A	GCV 135 A	GCV 160 E			
(1)	11300-ZM0-408	PAN ASSY., OIL .....	1	1	1	1	-	1	-----	A1W2,A1W7,N1T8,N1T9,N1W1,N1W2,N1W8,N1W9	
	11300-ZM0-409	.....	1	1	-	-	-	-	-----	N1G	
	11300-ZOL-405	.....	-	-	-	1	-	-	-----	N1A,N1AF,N1C,N5A,N5AF,N5C	
	11300-ZOM-405	.....	1	1	1	1	-	1	-----	A7E1,N7A1,N7E1,N7E2	
	11300-ZOL-821	PAN ASSY., OIL (SAE) .....	-	-	-	1	-	-	-----	E1A4,E5A4	
2	15650-ZM0-801	GAUGE ASSY., OIL LEVEL .....	1	-	1	1	-	-	-----	A1AE,A1E,A1E1,A1E7,A1E8,A1G7,A1P,A1U,A1W2,A1W7,A2E A2E1,A2E4,A2E7,A2E8,A2E9,A2G,A2G7,A2U,A3E,A4E,A7E1,BHH N1E,N1E1,N1E2,N1E7,N1G,N1R,N1S,N1S7,N1U,N1W,N1W1,N1W2 N1W7,N1W8,N1W9,N2E,N2E1,N2E2,N2E3,N2E7,N2E8,N2E9,N2U N3U,N3V,N7A1,N7E1,N7E2,STA1,S3A	
	15650-ZOL-820	.....	-	-	-	1	-	-	-----	EHHB,E1A2,E1A4,E1G7,E2G7,E5A4,R1A,R3A,R3A1	
	15650-ZOM-800	.....	-	1	-	-	-	1	-----	A1E,A1E7,A1E8,A1G7,A1G9,A1P,A1W7,A2A9,A2E,A2E7,A2E8 A2E9,A2G,A2G4,A2G7,A2G9,A3E7,A7E1,N1E,N1E1,N1E2,N1E7 N1G,N1R,N1S,N1S7,N1T8,N1T9,N1U,N1W,N1W7,N1W8,N1W9,N2E N2E1,N2E3,N2E7,N2E8,N2E9,N2KA,N7A1,N7E1,N7E2,S1E1,S2E S2E1	
3	15625-ZE1-003	PACKING, OIL FILLER CAP .....	1	1	1	1	-	1	-----	A1A,A1AF,A1AS,A1C,A1D,A1J,A2A,A2C,A2D,A2R,A3A,N1,N1A N1AF,N1C,N1D,N1J1,N2,N2D,N5A,N5AF,N5C,S1A,S1A1	
4	15625-ZE6-000	PACKING, OIL FILLER CAP .....	1	1	1	1	-	1	-----	A1AE,A1E,A1E1,A1E7,A1E8,A1G7,A1G9,A1P,A1U,A1W2,A1W7 A2A9,A2E,A2E1,A2E4,A2E7,A2E8,A2E9,A2G,A2G4,A2G7,A2G9 A2U,A3E,A3E7,A4E,A7E1,BHH,EHHB,E1A2,E1A4,E1G7,E2G7 E5A4,N1E,N1E1,N1E2,N1E7,N1G,N1R,N1S,N1S7,N1T8,N1T9,N1U N1W,N1W1,N1W2,N1W7,N1W8,N1W9,N2E,N2E1,N2E2,N2E3,N2E7 N2E8,N2E9,N2KA,N2U,N3U,N3V,N7A1,N7E1,N7E2,R1A,R3A,R3A1 STA1,S1E1,S2E,S2E1,S3A	

E-6

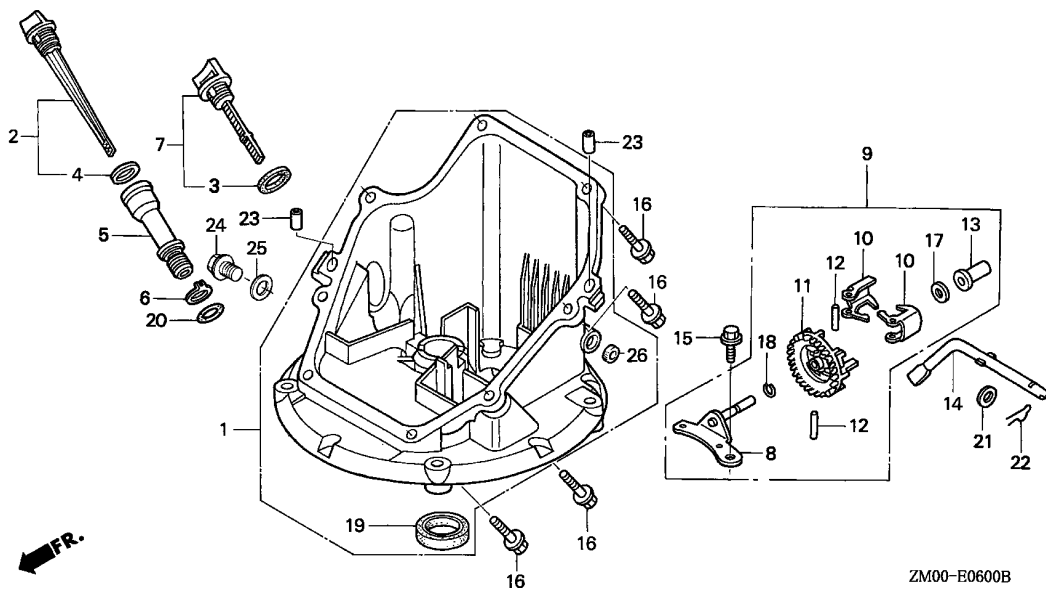
OIL PAN

D 5

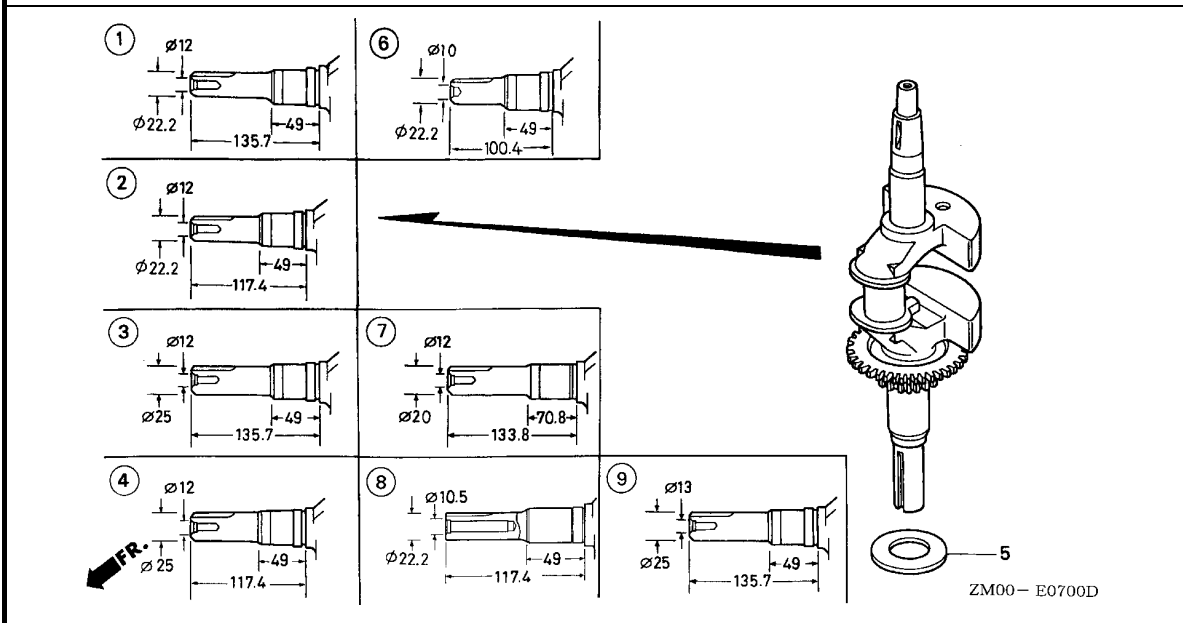
Ref. No.	Part No.	Description	Reqd. QTY							Serial No.	Parts catalogue code
			GCV 135	GCV 135 E	GCV 160	GCV 160 A	GCV 135 A	GCV 160 E			
5	15631-ZM0-000	EXTENSION, OIL FILLER .....	1	1	1	1	-	1	-----	A1AE,A1E,A1E1,A1E7,A1E8,A1G7,A1G9,A1P,A1U,A1W2,A1W7,A2A9,A2E,A2E1,A2E4,A2E7,A2E8,A2E9,A2G,A2G4,A2G7,A2G9,A2U,A3E,A3E7,A4E,A7E1,BHH,N1E,N1E1,N1E2,N1E7,N1G,N1R,N1S,N1S7,N1T8,N1T9,N1U,N1W,N1W1,N1W2,N1W7,N1W8,N1W9,N2E,N2E1,N2E2,N2E3,N2E7,N2E8,N2E9,N2KA,N2U,N3U,N3V,N7A1,N7E1,N7E2,STA1,S1E1,S2E,S2E1,S3A	
	15631-Z0L-820	.....	-	-	-	1	-	-	-----	EHHB,E1A2,E1A4,E1G7,E2G7,E5A4,R1A,R3A,R3A1	
6	15639-ZM0-000	WASHER, EXTENSION LOCK .....	1	1	1	1	-	1	-----	A1AE,A1E,A1E1,A1E7,A1E8,A1G7,A1G9,A1P,A1U,A1W2,A1W7,A2A9,A2E,A2E1,A2E4,A2E7,A2E8,A2E9,A2G,A2G4,A2G7,A2G9,A2U,A3E,A3E7,A4E,A7E1,BHH,EHHB,E1A2,E1A4,E1G7,E2G7,E5A4,N1E,N1E1,N1E2,N1E7,N1G,N1R,N1S,N1S7,N1T8,N1T9,N1U,N1W,N1W1,N1W2,N1W7,N1W8,N1W9,N2E,N2E1,N2E2,N2E3,N2E7,N2E8,N2E9,N2KA,N2U,N3U,N3V,N7A1,N7E1,N7E2,R1A,R3A,R3A1	
7	15650-ZM0-003	GAUGE ASSY., OIL LEVEL .....	1	1	1	1	-	1	-----	A1A,A1AF,A1AS,A1C,A1D,A1J,A2A,A2C,A2D,A2R,A3A,N1,N1A,N1AF,N1C,N1D,N1J1,N2,N2D,N5A,N5AF,N5C,S1A,S1A1	
8	16508-ZM0-000	SHAFT COMP., GOVERNOR HOLDER	1	-	-	-	-	-	-----	1449200 A1J	
			1	-	-	-	-	-	-----	1449200 A1A,A1C,A1D,A1E,A1E1,A1U,A2A,A2C,A2D,A2E,A2E1,A2G,A2R,A2U,A3E,A4E,N1D,N1E,N1E1,N1G,N1S,N1U,N1W,N2D,N2E,N2E1,N2E2,N2E3,N2U	
			-	-	1	-	-	-	-----	1887052 A1J	
			-	-	1	-	-	-	-----	1887052 A1A,A1C,A1E,A1P,A1U,A2A,A2C,A2E,A2R,A2U,A3E,A4E,N1,N1D,N1E1,N1E2,N1U,N1W,N2,N2D,N2E,N2E1,N2E2,N2E3,N2U,N3V	
	16508-ZM0-010	.....	1	-	1	-	-	-	-----	A1E7,A1E8,A1G7,A1W2,A1W7,A2E4,A2E7,A2E8,A2E9,A2G7,A7E1,N1E7,N1J1,N1R,N1S7,N1W1,N1W2,N1W7,N1W8,N1W9,N2E7,N2E8,N2E9,N3U,N7A1,N7E1,N7E2	
			1	-	-	-	-	-	-----	1449201 A1A,A1C,A1D,A1E,A1E1,A1J,A1U,A2A,A2C,A2D,A2E,A2E1,A2G,A2R,A2U,A3E,A4E,N1D,N1E,N1E1,N1G,N1S,N1U,N1W,N2D,N2E,N2E1,N2E2,N2E3,N2U	
			-	1	-	1	1	1	-----	1887053 A1A,A1C,A1E,A1J,A1P,A1U,A2A,A2C,A2E,A2R,A2U,A3E,A4E,N1,N1D,N1E1,N1E2,N1U,N1W,N2,N2D,N2E,N2E1,N2E2,N2E3,N2U,N3V	
9	16510-ZM0-010	GOVERNOR ASSY. ....	1	1	1	1	1	1			
10	16511-ZL8-000	WEIGHT, GOVERNOR .....	2	2	2	2	2	2			
11	16512-ZM0-000	HOLDER, GOVERNOR WEIGHT .....	1	1	1	1	1	1			
12	16513-ZE1-000	PIN, GOVERNOR WEIGHT .....	2	2	2	2	2	2			
13	16531-ZE1-000	SLIDER, GOVERNOR .....	1	1	1	1	1	1			
14	16541-ZM0-000	SHAFT, GOVERNOR ARM .....	1	1	1	1	1	1			
15	90014-952-000	BOLT, FLANGE, 6X14(CT200) ...	1	1	1	1	1	1			
16	90121-952-000	BOLT, FLANGE, 6X25 .....	8	8	8	8	8	8			
17	90451-ZE1-000	WASHER, THRUST, 6MM .....	1	1	1	1	1	1			
18	90602-ZE1-000	CLIP, GOVERNOR HOLDER .....	1	1	1	1	1	1			
19	91202-ZL8-003	OIL SEAL, 28X41.25X6 .....	1	1	1	1	-	1	-----	A1A,A1AE,A1AF,A1AS,A1C,A1D,A1E,A1E1,A1E7,A1E8,A1G7,A1G9,A1J,A1P,A1U,A1W2,A1W7,A2A,A2A9,A2C,A2D,A2E,A2E1,A2E4,A2E7,A2E8,A2E9,A2G,A2G4,A2G7,A2G9,A2U,A3A,A3E,A3E7,A4E,A7E1,BHH,EHHB,E1A2,E1G7,E2G7,N1,N1D,N1E,N1E1,N1E2,N1E7,N1G,N1J1,N1R,N1S,N1S7,N1T8,N1T9,N1U,N1W,N1W1,N1W2,N1W7,N1W8,N1W9,N2,N2D,N2E,N2E1,N2E2,N2E3,N2E7,N2E8,N2E9,N2KA,N2U,N3U,N3V,N7A1,N7E1,N7E2,R1A,R3A,R3A1	
	91202-ZM0-V31	.....	1	1	1	1	-	1	-----	STA1,S1A,S1A1,S1E1,S2E,S2E1,S3A	
			-	-	-	-	1	-	-----	A2R,E1A4,E5A4,N1A,N1AF,N1C,N5A,N5AF,N5C	







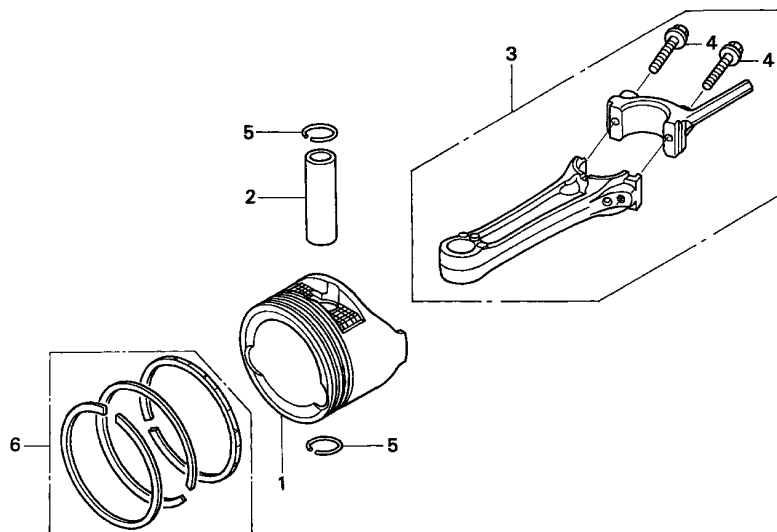
Ref. No.	Part No.	Description	Reqd. QTY						Serial No.	Parts catalogue code
			GCV 135	GCV 135 E	GCV 160	GCV 160 A	GCV 135 A	GCV 160 E		
20	91303-KFO-003	O-RING, 14.8X2.4(ARAI)	1	-	1	1	-	-	A1AE,A1E,A1E1,A1E7,A1E8,A1G7,A1P,A1U,A1W2,A1W7,A2E A2E1,A2E4,A2E7,A2E8,A2E9,A2G,A2G7,A2U,A3E,A4E,A7E1,BHH EHHB,E1A2,E1A4,E1G7,E2G7,E5A4,N1E,N1E1,N1E2,N1E7,N1G N1R,N1S,N1S7,N1U,N1W,N1W1,N1W2,N1W7,N1W8,N1W9,N2E,N2E1 N2E2,N2E3,N2E7,N2E8,N2E9,N2U,N3U,N3V,N7A1,N7E1,N7E2 R3A,STA1,S3A	
	91303-ZOM-003	O-RING, 14.8X2.4	-	1	-	-	-	1	A1E,A1E7,A1E8,A1G7,A1G9,A1P,A1W7,A2A9,A2E,A2E7,A2E8 A2E9,A2G,A2G4,A2G7,A2G9,A3E7,A7E1,N1E,N1E1,N1E2,N1E7 N1G,N1R,N1S,N1S7,N1T8,N1T9,N1U,N1W,N1W7,N1W8,N1W9,N2E N2E1,N2E3,N2E7,N2E8,N2E9,N2KA,N7A1,N7E1,N7E2,S1E1,S2E S2E1	
21	94101-06800	WASHER, PLAIN, 6MM	1	1	1	1	1	1		
22	94251-08000	PIN, LOCK, 8MM	1	1	1	1	1	1		
23	94301-08200	DOWEL PIN, 8X20	2	2	2	2	2	2		
24	90131-883-000	BOLT, DRAIN PLUG, 12X15	-	-	-	1	-	-	E1A4,E5A4,N1A,N1AF,N1C,N5A,N5AF,N5C	
25	94109-12000	WASHER, DRAIN PLUG, 12MM	-	-	-	1	-	-	E1A4,E5A4,N1A,N1AF,N1C,N5A,N5AF,N5C	
26	91231-891-003	OIL SEAL, 6X11X4	1	1	1	1	-	1	A7E1,N7A1,N7E1,N7E2	



Ref. No.	L.O.N.	(Relative ref. Number) Description	F.R.T.
1	1101F0	(2,3,4,6,7,8,9) CRANKSHAFT	1.3

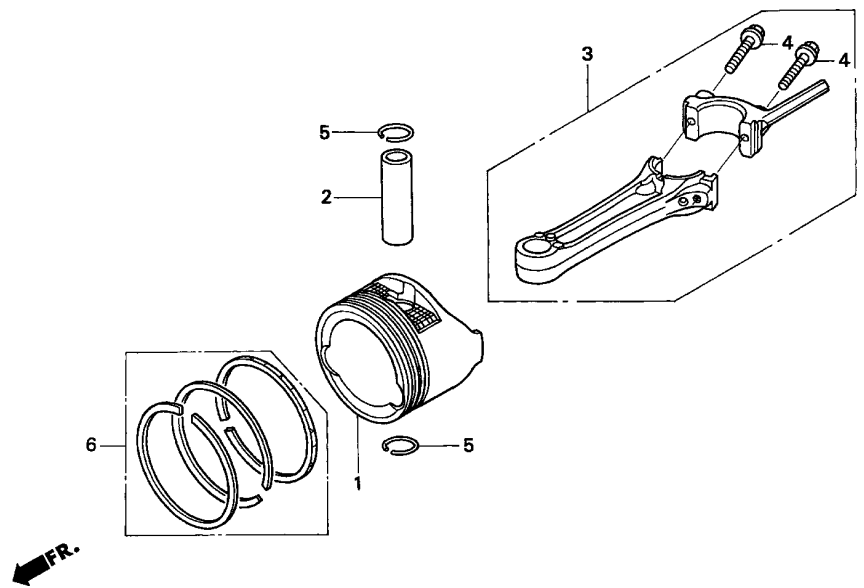
Ref. No.	Part No.	Description	Reqd. QTY						Serial No.	Parts catalogue code
			GCV 135	GCV 135 E	GCV 160	GCV 160 A	GCV 135 A	GCV 160 E		
1	13310-ZM1-000	CRANKSHAFT COMP.	1	1	-	-	1	-	A1A,A1C,A1D,A1E,A1E1,A1E7,A1E8,A1G9,A1J,A1U,N1A,N1D,N1E,N1E1,N1S,N1S7,N1U,N1W,N1W1,N1W7,N1W8	
	13310-ZM0-000		-	-	1	1	-	1	A1A,A1AE,A1AF,A1AS,A1C,A1E,A1E7,A1E8,A1G7,A1G9,A1J,A1P,A1U,A1W2,A1W7,E1A2,E1A4,E1G7,N1,N1A,N1AF,N1C,N1D,N1E1,N1E2,N1E7,N1J1,N1R,N1T8,N1T9,N1U,N1W,N1W1,N1W2,N1W7,N1W8,N1W9,R1A,S1A,S1A1,S1E1	
2	13310-ZM1-600	CRANKSHAFT COMP.	1	1	-	-	-	-	A2A,A2C,A2D,A2E,A2E1,A2E4,A2E7,A2E8,A2E9,A2G,A2G4,A2G7,A2G9,A2R,A2U,N2D,N2E,N2E1,N2E2,N2E3,N2E7,N2E8,N2E9,N2KA,N2U,S2E,S2E1	
	13310-ZM0-600		-	-	1	1	-	1	A2A,A2A9,A2C,A2E,A2E4,A2E7,A2E8,A2E9,A2G4,A2G7,A2G9,A2R,A2U,E2G7,N2,N2D,N2E,N2E1,N2E2,N2E3,N2E7,N2E8,N2E9,N2U,S2E,S2E1	
3	13310-ZM1-610	CRANKSHAFT COMP.	1	-	-	-	-	-	A3E	
	13310-ZM0-610		-	-	1	1	-	1	A3A,A3E,A3E7,N3U,N3V,R3A,S3A	
4	13310-ZM1-620	CRANKSHAFT COMP.	1	-	-	-	-	-	A4E	
	13310-ZM0-620		-	-	1	-	-	-	A4E	
5	90402-ZL8-000	WASHER, THRUST	1	1	1	1	1	1		
6	13310-ZOL-650	CRANKSHAFT COMP.	-	-	-	1	-	-	E5A4,N5A,N5AF,N5C	
	13310-Z1M-650		-	-	-	-	1	-	N5A	
7	13310-ZM0-640	CRANKSHAFT COMP.	-	-	-	1	-	-	BHH,EHHB	
	13310-ZM1-640		1	1	-	-	-	-	N1G	
8	13310-ZOL-780	CRANKSHAFT COMP.	-	-	1	1	-	1	A7E1,N7A1	
	13310-ZOM-780		1	1	-	-	-	-	A7E1,N7E1,N7E2	
9	13310-ZOL-V70	CRANKSHAFT COMP.	-	-	-	1	-	-	R3A1,STA1	





Ref. No.	L.O.N.	(Relative ref. Number) Description	F.R.T.
1	1111R1	(2,3,6) PISTON AND/OR RING SET AND/OR BEARING AND/OR ROD ..... .INCLUDES: Inspection/ Measurement/Cleaning	1.1

Ref. No.	Part No.	Description	Reqd. QTY						Serial No.	Parts catalogue code
			GCV 135	GCV 135 E	GCV 160	GCV 160 A	GCV 135 A	GCV 160 E		
1	13101-ZL8-000	PISTON .....	1	1	1	1	1	1		
2	13111-ZE0-000	PIN, PISTON .....	1	1	1	1	1	1		
3	13200-ZL9-000	ROD ASSY., CONNECTING .....	1	1	-	-	1	-		
	13200-ZL8-000	.....	-	-	1	-	-	-	-----	A1J A1A,A1C,A1E,A1E7,A1E8,A1G7,A1P,A1U,A1W2,A1W7,A2A,A2C A2E,A2E4,A2E7,A2E8,A2E9,A2G7,A2R,A2U,A3E,A4E,A7E1,N1 N1D,N1E1,N1E2,N1E7,N1J1,N1R,N1U,N1W,N1W1,N1W2,N1W7 N1W8,N1W9,N2,N2D,N2E,N2E1,N2E2,N2E3,N2E7,N2E8,N2E9,N2U N3U,N3V,N7A1
4	90001-ZE1-000	BOLT, CONNECTING ROD .....	-	-	-	1	-	1		
5	90551-ZE0-000	CLIP, PISTON PIN, 13MM .....	2	2	2	2	2	2		
6	13010-ZL8-003	RING SET, PISTON (RIKEN) ....	1	-	1	-	1	1		
	13010-ZL8-004	RING SET, PISTON (TEIKOKU) ..	1	-	1	-	-	-	-----	A1A,A1AE,A1AF,A1AS,A1C,A1E,A1E7,A1E8,A1G9,A1W7,A2A,A2C A2E,A2E7,A2E8,A2E9,A2G,A2G4,A2G7,A2G9,A2R,A3A,A3E,A7E1 BHH,EHHB,E1A2,E1A4,E1G7,E2G7,E5A4,N1A,N1AF,N1C,N1E N1E1,N1E7,N1G,N1R,N1S,N1S7,N1U,N1W,N1W7,N1W8,N1W9,N2E N2E1,N2E3,N2E7,N2E8,N2E9,N2KA,N2U,N3U,N3V,N5A,N5AF,N5C N7A1,N7E1,N7E2,R1A,R3A,R3A1,STA1,S3A A1D,A1E1,A1J,A1U,A2D,A2E1,A2U,A4E,N1E,N2D,N2E2 A3E,N2E3 A2G,N1G S1A,S1A1
	13010-ZL8-014	.....	-	1	-	-	-	-	-----	



ZM00-E0800A

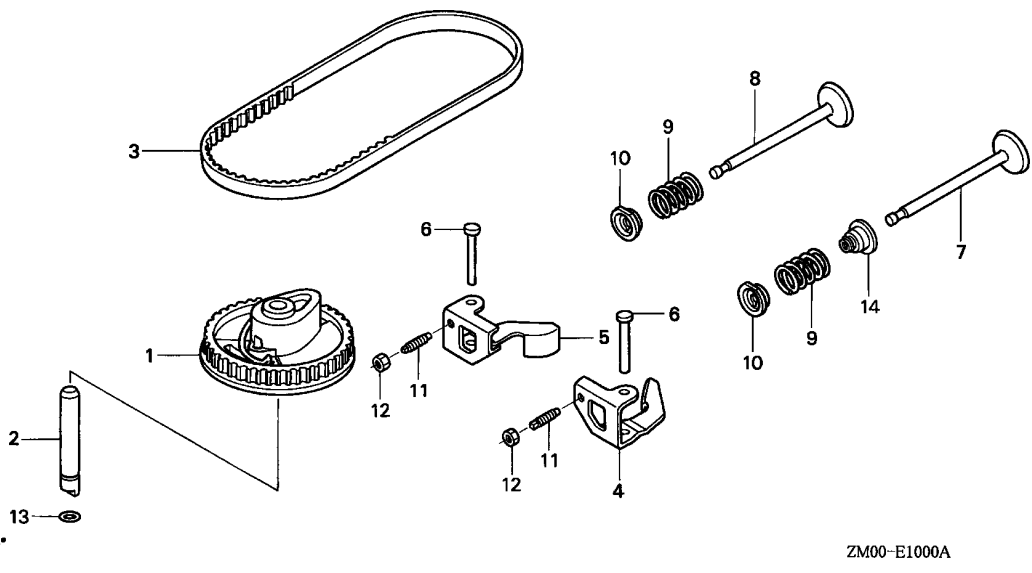


Ref. No.	Part No.	Description	Reqd. QTY						Serial No.	Parts catalogue code
			GCV 135	GCV 135 E	GCV 160	GCV 160 A	GCV 135 A	GCV 160 E		
(6)	13010-ZL8-024	RING SET, PISTON (TEIKOKU) ..	1	1	1	1	-	-	-----	A1A,A1AE,A1AF,A1AS,A1C,A1E,A1E7,A1E8,A1G7,A1G9,A1P A1W2,A1W7,A2A,A2C,A2E,A2E4,A2E7,A2E8,A2E9,A2G4,A2G7 A2G9,A2R,A3A,A7E1,BHH,EHHA,E1A2,E1A4,E1G7,E2G7,E5A4,N1 N1A,N1AF,N1C,N1D,N1E1,N1E2,N1E7,N1J1,N1R,N1S,N1S7,N1U N1W,N1W1,N1W2,N1W7,N1W8,N1W9,N2,N2E,N2E1,N2E7,N2E8 N2E9,N2KA,N2U,N3U,N3V,N5A,N5AF,N5C,N7A1,N7E1,N7E2,R1A R3A,R3A1,STA1,S2E,S2E1,S3A A2G,N1G A3E,N1E,N2E3
			1	-	-	-	-	-	-----	
			-	1	1	1	-	-	-----	
			-	-	-	-	1	1	-----	

E-10

CAMSHAFT PULLEY

D10



Ref. No.	L.O.N.	(Relative ref. Number) Description	F.R.T.
1	1111N5	PULLEY, CAMSHAFT .....	0.4
2		(13)	
	1111R8	SHAFT, CAM PULLEY .....	0.4
3	1111N6	BELT, TIMING .....	1.0
4	1111A2	ARM, ROCKER :INTAKE .....	0.3
		.INCLUDES: Valve clearance adjustment	
	1111A2A	.With exhaust rocker arm add ..	0.1
5	1111A1	ARM, ROCKER :EXHAUST .....	0.3
		.INCLUDES: Valve clearance adjustment	
	1111A1A	.With intake rocker arm add ..	0.1
7	1111L1	VALVE, INTAKE .....	1.3
		.INCLUDES: Valve clearance adjustment and reface	
	1111L1E	.With intake and exhaust all add .....	0.1
8	1111L0	VALVE, EXHAUST .....	1.3
		.INCLUDES: Valve clearance adjustment and reface	
	1111L0E	.With intake and exhaust all add .....	0.1
9	1111P3	SPRING, VALVE :INTAKE .....	1.2
		.INCLUDES: Valve clearance adjustment	

ZM00-E1000A

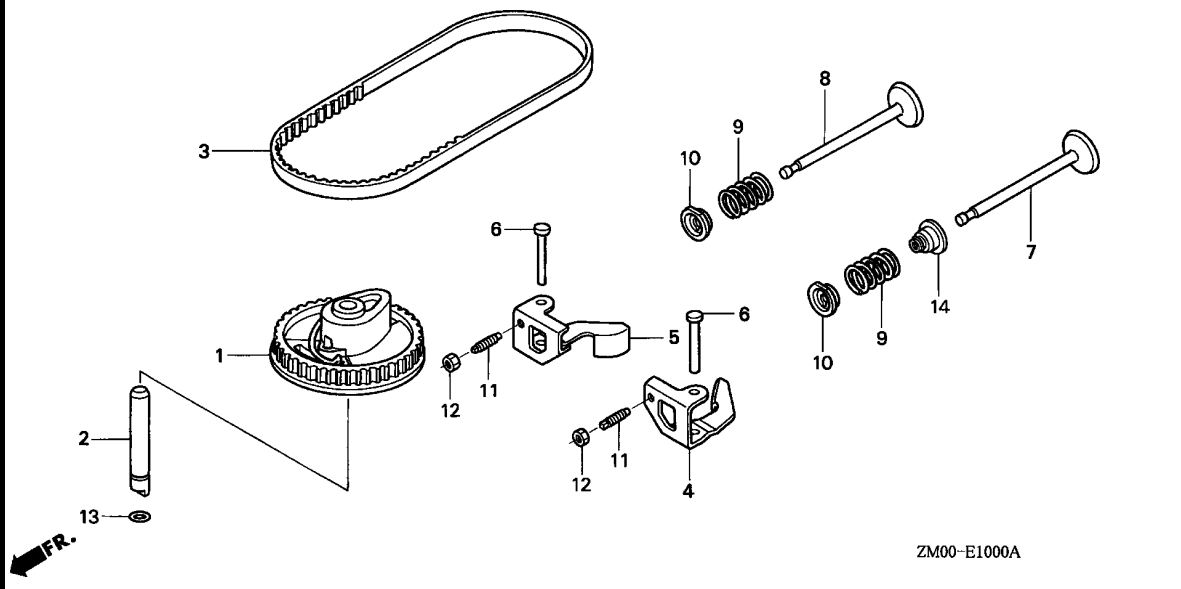
Ref. No.	Part No.	Description	Reqd. QTY						Serial No.	Parts catalogue code
			GCV 135	GCV 135 E	GCV 160	GCV 160 A	GCV 135 A	GCV 160 E		
1	14320-ZL8-000	PULLEY COMP., CAMSHAFT .....	1	1	1	1	-	-	-----	A1A,A1C,A1D,A1E1,A1J,A1P,A1U,A1W2,A2A,A2C,A2D,A2E,A2E1,A2E4,A2G,A2G7,A2U,A4E,N1,N1A,N1C,N1D,N1E,N1E2,N1G,N1S,N1W,N1W1,N1W2,N2,N2D,N2E,N2E1,N2E2,N2E3,N2U,N3V,N5A,N5C
			1	1	1	-	-	-	-----	A1E,A1W7,A3E,N1E1,N1W9,N3U
			1	-	1	1	-	-	-----	A2R,N1U
			-	-	1	-	-	-	-----	N1W8
	14320-ZL8-010	.....	1	1	1	1	-	-	-----	A1AE,A1AF,A1AS,A1E7,A1E8,A1G7,A1G9,A2E7,A2E8,A2E9,A2G4,A2G9,A3A,A7E1,BHH,EHHB,E1A2,E1A4,E1G7,E2G7,E5A4,N1AF,N1E7,N1J1,N1R,N1S7,N1W7,N2E7,N2E8,N2E9,N2KA,N5AF,N7A1,N7E1,N7E2,R1A,R3A,R3A1,STA1,S1A,S1A1,S2E,S2E1,S3A
			1	1	-	1	-	-	-----	A1W7,N1W8,N1W9,N3U
			-	1	-	-	-	-	-----	A2R,N1U
			-	-	-	1	-	-	-----	A1E,A3E,N1E1
2	14324-ZL8-000	SHAFT, CAM PULLEY .....	1	1	1	1	1	1	-----	
3	14400-ZL9-003	BELT, TIMING (79HU7 G-200) ..	1	1	-	-	-	-	-----	A1A,A1C,A1D,A1E,A1E1,A1J,A1U,A2A,A2C,A2D,A2E,A2E1,A2E4,A2G,A2G7,A2U,A3E,A4E,N1D,N1E,N1E1,N1G,N1S,N1W,N1W1,N2D,N2E,N2E1,N2E2,N2E3,N2U
			1	-	-	-	-	-	-----	A2R,N1U
	14400-ZL9-013	.....	1	1	-	-	-	-	-----	A1E7,A1E8,A1G9,A2E7,A2E8,A2E9,A2G4,A2G9,A7E1,N1S7,N1W7,N1W8,N2E7,N2E8,N2E9,N2KA,N7E1,N7E2,S2E,S2E1
			-	1	-	-	-	-	-----	A2R,N1U
			-	-	-	-	1	-	-----	
	14400-ZL8-003	BELT, TIMING (84HU7 G-200) ..	-	-	1	-	-	-	-----	A1A,A1C,A1E,A1J,A1P,A1U,A1W2,A1W7,A2A,A2C,A2E,A2E4,A2G7,A2R,A2U,A3E,A4E,N1,N1D,N1E1,N1E2,N1U,N1W,N1W1,N1W2,N1W8,N1W9,N2,N2D,N2E,N2E1,N2E2,N2E3,N2U,N3U,N3V

2

E-10

CAMSHAFT PULLEY

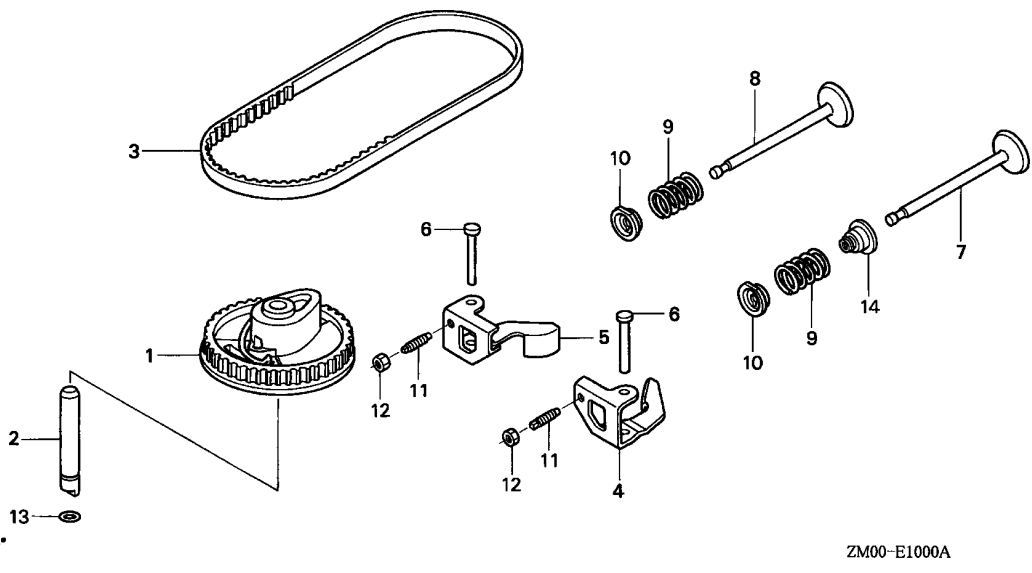
D11



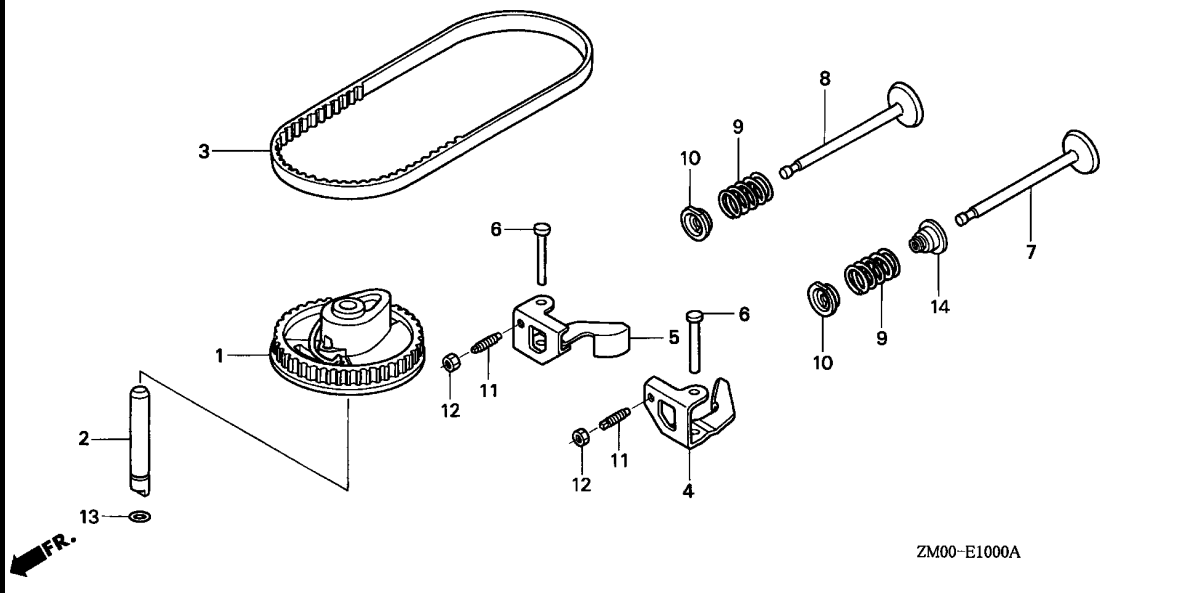
Ref. No.	L.O.N.	(Relative ref. Number) Description	F.R.T.
+ 9	1111P3A	.For one add .....	0.1
	1111P4	SPRING, VALVE :EXHAUST .....	1.2
		.INCLUDES: Valve clearance adjustment	
	1111P4A	.For one add .....	0.1
14	1111K2	SEAL, INTAKE VALVE STEM .....	1.2

Ref. No.	Part No.	Description	Reqd. QTY						Serial No.	Parts catalogue code
			GCV 135	GCV 135 E	GCV 160	GCV 160 A	GCV 135 A	GCV 160 E		
(3)	14400-ZL8-013	BELT, TIMING (84HU7 G-200) ..	-	-	1	-	-	-	-----	A1E7,A1E8,A1G7,A2E7,A2E8,A2E9,A7E1,N1E7,N1J1,N1R,N1W7,N2E7,N2E8,N2E9,N7A1
	14400-Z0J-004	.....	-	-	-	-	-	1	-----	A1A,A1C,A2A,A2C,A2G7,A2R,N1A,N1C,N1U,N2U,N3V,N5A,N5C
	14400-Z0J-014	.....	-	-	-	1	-	-	-----	A1AE,A1AF,A1AS,A1E,A1E7,A1E8,A1W7,A2E7,A2E8,A2E9,A3A,A3E,A7E1,BHH,EHHA,E1A2,E1A4,E1G7,E2G7,E5A4,N1AF,N1E1,N1E7,N1R,N1W7,N1W8,N1W9,N2E7,N2E8,N2E9,N3U,N5AF,N7A1,R1A,R3A,R3A1,STA1,S1A,S1A1,S3A
4	14431-ZL8-000	ARM, IN. VALVE ROCKER .....	1	-	1	-	1	-	-----	A1A,A1AE,A1AF,A1AS,A1C,A1E7,A1E8,A1G7,A1W7,A2A,A2C,A2E7,A2E8,A2E9,A2G,A2G7,A2G9,A3A,A3E7,A7E1,BHH,N1A,N1AF,N1C,N1E,N1E7,N1G,N1S,N1S7,N1W,N1W7,N1W8,N1W9,N2E1,N2E3,N2E7,N2E8,N2E9,N2U,N3V,N5A,N5AF,N5C,N7A1,N7E1,N7E2,S1A,S1A1,S2E,S2E1,S3A
	14431-Z0J-000	.....	-	1	-	-	-	-	-----	A1E,A1G9
			-	-	1	-	-	-	-----	A2R,N1U
			-	1	-	1	-	1	-----	A2G4,N1E1,N1R,N2KA
			-	1	-	-	-	1	-----	A2R,N1U
			-	-	-	1	-	1	-----	A1E,A1G9,A1P,A2A9,A3E,EHHA,E1A2,E1A4,E1G7,E2G7,E5A4,N1D,N1E2,N1J1,N1T8,N1T9,N3U,R1A,R3A,R3A1,STA1,S1E1
5	14441-ZL8-000	ARM, EX. VALVE ROCKER .....	1	-	1	-	1	-	-----	A1A,A1AE,A1AF,A1AS,A1C,A1E7,A1E8,A1G7,A1W7,A2A,A2C,A2E7,A2E8,A2E9,A2G,A2G7,A2G9,A3A,A3E7,A7E1,BHH,N1A,N1AF,N1C,N1E,N1E7,N1G,N1S,N1S7,N1W,N1W7,N1W8,N1W9,N2E1,N2E3,N2E7,N2E8,N2E9,N2U,N3V,N5A,N5AF,N5C,N7A1,N7E1,N7E2,S1A,S1A1,S2E,S2E1,S3A
			-	1	-	-	-	-	-----	A1E,A1G9
			-	-	-	1	-	-	-----	A2R,N1U

2

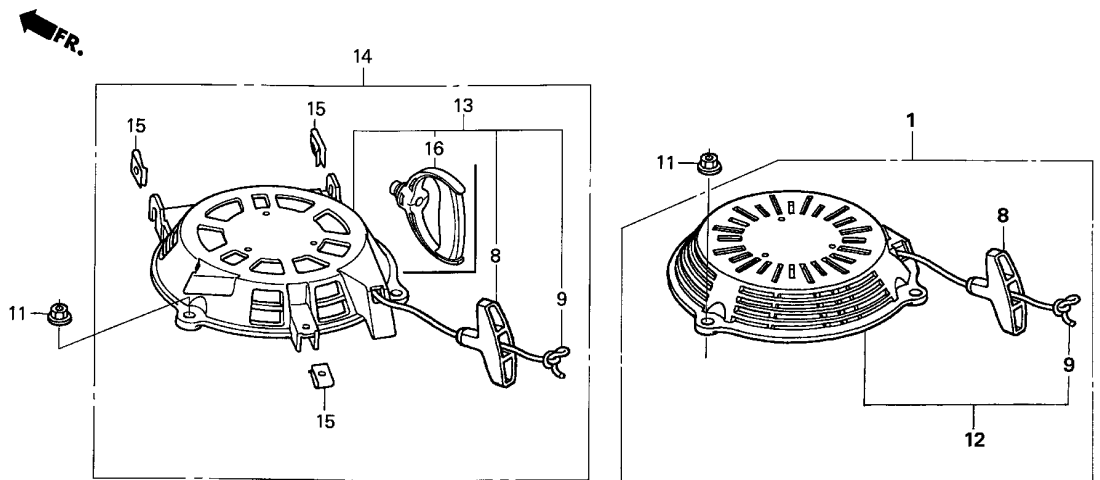


Ref. No.	Part No.	Description	Reqd. QTY						Serial No.	Parts catalogue code
			GCV 135	GCV 135 E	GCV 160	GCV 160 A	GCV 135 A	GCV 160 E		
(5)	14441-Z0J-000	ARM, EX. VALVE ROCKER .....	-	1	-	1	-	1	-----	A2G4,N1E1,N1R,N2KA A2R,N1U A1E,A1G9,A1P,A2A9,A3E,EHBB,E1A2,E1A4,E1G7,E2G7,E5A4 N1D,N1E2,N1J1,N1T8,N1T9,N3U,R1A,R3A,R3A1,STA1,S1E1
6	14461-ZL8-000	SHAFT, ROCKER ARM .....	2	2	2	2	2	2		
7	14711-ZL8-000	VALVE, IN. ....	1	-	1	-	1	-		
	14711-Z0J-000	.....	-	1	-	-	-	-	-----	A2G,N1G A1E,A1E7,A1E8,A1G9,A2E,A2E7,A2E8,A2E9,A2G4,A2G7,A2G9 A2R,A7E1,N1E,N1S,N1S7,N1U,N1W,N1W7,N1W8,N2E,N2E1,N2E3 N2E7,N2E8,N2E9,N2KA,N7E1,N7E2,S2E,S2E1
8	14721-ZL8-000	VALVE, EX. ....	1	1	1	1	1	1		
9	14751-ZL8-000	SPRING, VALVE .....	2	2	2	2	2	2		
10	14771-ZE1-000	RETAINER, IN. VALVE SPRING ..	2	2	2	-	2	2		
	14771-Z0J-000	RETAINER, VALVE SPRING .....	-	-	-	2	-	-	-----	A1A,A1AE,A1AF,A1AS,A1C,A1E7,A1E8,A1W7,A2A,A2C,A2E7 A2E8,A2E9,A2G7,A2R,A3A,A7E1,BHH,N1A,N1AF,N1C,N1E7,N1U N1W7,N1W8,N1W9,N2E7,N2E8,N2E9,N2U,N3V,N5A,N5AF,N5C N7A1,S1A,S1A1,S3A A1E,A3E,EHBB,E1A2,E1A4,E1G7,E2G7,E5A4,N1E1,N1R,N3U,R1A R3A,R3A1,STA1
11	90012-333-000	SCREW, TAPPET ADJUSTING .....	2	2	2	2	2	2		
12	90206-001-000	NUT, TAPPET ADJUSTING .....	2	2	2	2	2	2		
13	91301-ZM0-V31	O-RING, 6.8X1.9(ARAI) .....	1	-	1	1	1	-		
	91301-ZOM-003	O-RING, 6.8X1.9 .....	-	1	-	-	-	1		



Ref. No.	Part No.	Description	Reqd. QTY						Serial No.	Parts catalogue code	
			GCV 135	GCV 135 E	GCV 160	GCV 160 A	GCV 135 A	GCV 160 E			
14	12209-ZM0-003	SEAL, VALVE STEM .....	1	1	1	-	-	-	-----	A1E7, A1E8, A1G7, A1G9, A1W7, A2E4, A2E7, A2E8, A2E9, A2G4, A2G7, A2G9, A7E1, N1E7, N1J1, N1R, N1S7, N1W7, N1W8, N1W9, N2E7, N2E8, N2E9, N2KA, N3U, N7A1, N7E1, N7E2, S2E, S2E1	
			1	-	-	-	-	-	1623460	-----	A1A, A1C, A1E, A2A, A2C, A2E, A2G, A2R, N1D, N1E1, N1G, N1S, N1U, N1W, N1W1, N2E, N2E1, N2U
			-	1	-	-	-	-	-----	-----	A1E, A2E, A2R, N1E, N1S, N1U, N1W, N2E, N2E1, N2E3
			-	-	1	-	-	-	2296433	-----	A1A, A1C, A1E, A1P, A1W2, A2A, A2C, A2E, A2R, A3E, N1, N1D, N1E1, N1E2, N1U, N1W, N1W1, N1W2, N2, N2E, N2E1, N2E3, N2U, N3V
			-	-	-	1	1	1			





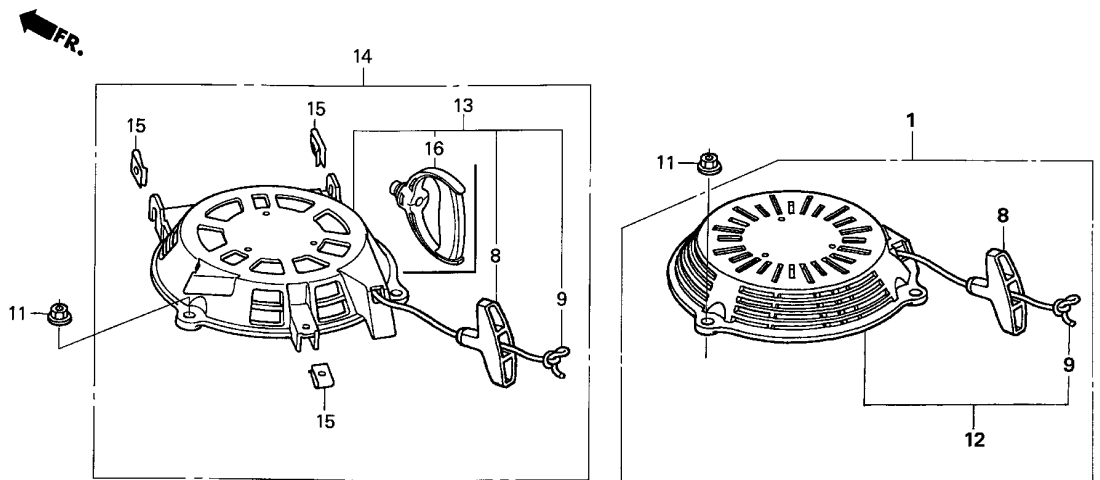
Ref. No.	L.O.N.	(Relative ref. Number) Description	F.R.T.
1		(13,14)	
1121B9		STARTER, RECOIL .....	0.1
8		(16)	
1121A3		GRIP, RECOIL STARTER .....	0.1
9		ROPE, RECOIL STARTER .....	0.3

ZM00-E1100D

Ref. No.	Part No.	Description	Reqd. QTY						Serial No.	Parts catalogue code
			GCV 135	GCV 135	GCV 160	GCV 160	GCV 135	GCV 160		
1	28400-ZM0-003ZA	STARTER ASSY., RECOIL								
		*NH1*.....BLACK	1	-	-	-	-	-	1126301	N1D,N1E,N1E1,N1U,N2D,N2E,N2E1,N2E2,N2E3,N2U
			-	-	1	-	-	-	1297891	N1D,N1E1,N1E2,N1U,N2D,N2E,N2E1,N2E2,N2E3,N2U
	28400-ZM0-003ZB	*R8*.....BRIGHT RED	-	-	1	-	-	-	1297891	N1U,N2E,N2E3,N2U,N3V
	28400-ZM0-013ZA	*NH1*.....BLACK	1	1	1	1	-	1		N1E7,N1J1,N2E7,N2E8
			1	-	-	-	-	-	1126302	N1D,N1E,N1E1,N1U,N2D,N2E,N2E1,N2E2,N2E3,N2U
			1	-	-	-	-	-	1614891	A2R
			-	1	-	1	-	1		N1D,N1E,N1E1,N1E2,N1U,N2E,N2E1,N2E3,N2U
			-	-	1	1	-	1		N2E9
			-	-	1	-	-	-	1297892	N1D,N1E1,N1E2,N1U,N2D,N2E,N2E1,N2E2,N2E3,N2U
			-	-	1	-	-	-	2146956	A2R
	28400-ZM0-013ZB	*R8*.....BRIGHT RED	1	-	-	-	-	-	1126302	N1E,N2E3
			1	-	-	-	-	-	1623804	N2E7,N2E9
			1	-	-	-	-	-	1126302	1623804 N2E,N2U
			-	-	1	-	-	-	2424487	N2E7,N2E9
			-	-	1	-	-	-	1297892	2424487 N1U,N2E,N2E3,N2U,N3V
	28400-ZL8-013ZA	*NH1*.....BLACK	1	1	1	1	-	1		A7E1,N7A1,N7E1,N7E2
			1	-	-	-	-	-	1614892	A2R
			-	1	-	1	-	1		A2R,E1A4,E5A4,N1A,N1AF,N1C,N5A,N5AF,N5C
			-	-	1	-	-	-		N3V
			-	-	1	-	-	-	2146957	A2R
			-	-	-	-	1	-		
	28400-ZL8-013ZB	*R8*.....BRIGHT RED	1	-	-	-	-	-		A2R
	28400-ZL8-013ZC	*R280*.....POWER RED	-	1	-	-	-	1		A2R
			-	-	-	1	-	-		E1A4,E5A4

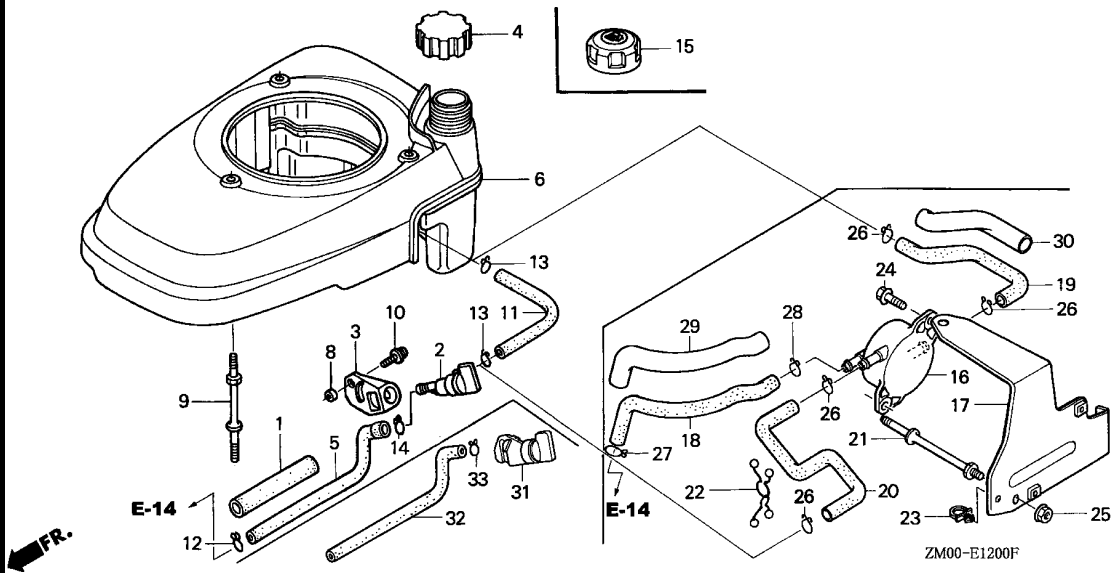
Ref. No.	Part No.	Description	Reqd. QTY						Serial No.	Parts catalogue code
			GCV 135	GCV 135 E	GCV 160	GCV 160 A	GCV 135 A	GCV 160 E		
(1)	28400-ZM0-013ZC	STARTER ASSY., RECOIL *R280*.....POWER RED	1	-	-	-	-	-	1623805	N2E,N2E7,N2E9,N2U N1D,N1E,N1E1,N1E2,N1J1,N2E,N2E3,N2E7,N2E9,N3V N1E7,N1U,N2E8
	28400-ZM0-631ZA	STARTER ASSY., RECOIL (LONG ROPE) *NH1*.....BLACK	1	-	-	-	-	-	2424488	N1E2,N1U,N2E,N2E3,N2E7,N2E9,N2U,N3V 1126301 A1A,A1C,A1D,A1E,A1E1,A1J,A1U,A2A,A2C,A2D,A2E,A2E1,A2U A3E,A4E 1297891 A1A,A1C,A1E,A1J,A1U,A2A,A2C,A2E,A2U,A3E,A4E,N1,N2 1126301 A1E,A2E,A2G 1297891 A1E,A1P,A2E
	28400-ZM0-631ZB	*R8*.....BRIGHT RED	1	-	-	-	-	-		A1E7,A1E8,A1G7,A2E4,A2E7,A2E8,A2E9,A2G7,N1S,N1S7,N1W N1W7,N3U
	28400-ZM0-632ZA	*NH1*.....BLACK	1	1	1	1	-	1	1126302	A1A,A1C,A1D,A1E,A1E1,A1J,A1U,A2A,A2C,A2D,A2E,A2E1,A2U A3E,A4E A1A,A1AE,A1AF,A1AS,A1C,A1E,A1P,A2A,A2C,A2E,A3A,A3E A3E7,BHH,EHHB,E1A2,E1G7,E2G7,N1R,N1T8,N1T9,N2KA,R1A R3A,S1A,S2E,S3A N1W8,N1W9
	28400-ZM0-632ZB	*R8*.....BRIGHT RED	-	1	-	-	-	-	1297892	A1A,A1C,A1E,A1J,A1U,A2A,A2C,A2E,A2U,A3E,A4E,N1,N2 A1W7 A2G
	28400-ZM0-632ZC	*YR288*.....WOLF ORANGE	1	1	1	1	-	1	2425099	A1E7,A1E8,A2E4,A2E7,A2E8,A2E9,A2G7,N1R
	28400-ZM0-632ZD	*R280*.....POWER RED	1	1	-	1	-	1	1297892	A1E,A1P,A2E S2E
	8 28461-ZL8-003	GRIP, STARTER	1	-	1	-	1	1	2425099	A1W2,A1W7,E1G7,E2G7,N1W1,N1W2,N1W8,N1W9,R1A,R3A N1W7
	9 28462-ZL8-003	ROPE, RECOIL STARTER	1	1	1	1	-	1	2425100	A1E,A1E7,A1E8,A1P,A2E,A2E4,A2E7,A2E8,A2E9,A2G7,EHHB E1A2,E1G7,E2G7,N1R,R1A,R3A A2G,N3U
	28462-ZOL-V71	ROPE, RECOIL STARTER (LONG TYPE)	-	-	-	-	1	-		A1E,A1E7,A1E8,A1P,A2E,A2E4,A2E7,A2E8,A2E9,A2G7,N1R A3E
	28462-ZL8-631	.....	1	1	1	1	-	1		A1A,A1AE,A1AF,A1AS,A1C,A1D,A1E,A1E1,A1E7,A1E8,A1G7,A1J A1P,A1U,A1W2,A1W7,A2A,A2C,A2D,A2E,A2E1,A2E4,A2E7,A2E8 A2E9,A2G,A2G7,A2U,A3A,A3E,A3E7,A4E,BHH,EHHB,E1A2,E1G7 E2G7,N1,N1G,N1R,N1S,N1S7,N1T8,N1T9,N1W,N1W1,N1W2,N1W7 N1W8,N1W9,N2,N2KA,N3U,R1A,R3A,S1A,S1A1,S2E,S2E1,S3A
	11 90201-ZM0-J20	NUT, FLANGE CAP, 6MM	3	3	3	-	-	3		A1P,A2G,N1G





ZM00-E1100D

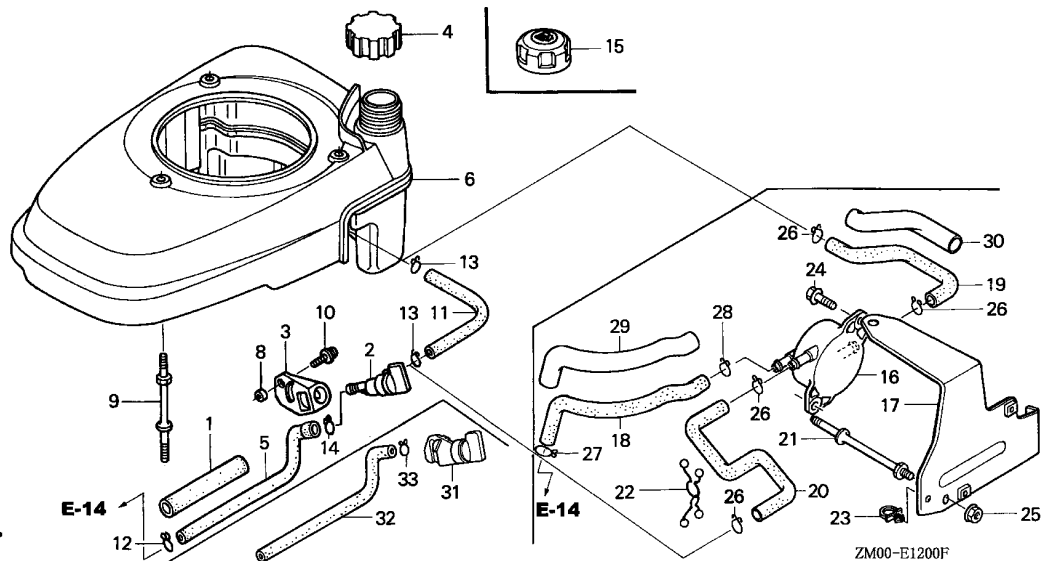
Ref. No.	Part No.	Description	Reqd. QTY						Serial No.	Parts catalogue code
			GCV 135	GCV 135 E	GCV 160	GCV 160 A	GCV 135 A	GCV 160 E		
11)	90201-ZM0-000	NUT, FLANGE, 6MM .....	3	3	3	3	-	3	-----	A1A,A1AE,A1AF,A1AS,A1C,A1D,A1E,A1E1,A1E7,A1E8,A1G7,A1G9,A1J,A1U,A1W2,A1W7,A2A,A2A9,A2C,A2D,A2E,A2E1,A2E7,A2E8,A2G4,A2G7,A2G9,A2R,A2U,A3A,A3E,A3E7,A4E,A7E1,BHH,EHHB,E1A2,E1A4,E1G7,E2G7,E5A4,N1,N1A,N1AF,N1C,N1D,N1E,N1E1,N1E2,N1E7,N1J1,N1R,N1S,N1S7,N1T8,N1T9,N1U,N1W,N1W1,N1W2,N1W7,N1W8,N1W9,N2,N2D,N2E,N2E1,N2E2,N2E3,N2E7,N2E8,N2E9,N2KA,N2U,N3U,N3V,N5A,N5AF,N5C,N7A1,N7E1,N7E2,R1A,R3A,R3A1,STA1,S1A,S1A1,S1E1,S2E,S2E1,S3A
	90303-MR1-000	.....	-	-	-	-	-	3	-----	A2E4,A2E9
12	28400-ZM0-J20ZA	STARTER ASSY., RECOIL	3	3	3	3	-	3	-----	A2E4,A2E9
	*R8*	.....BRIGHT RED	1	-	-	-	-	-	-----	1126301 N1G
	28400-ZM0-J21ZA	*R8*.....BRIGHT RED	1	-	-	-	-	-	-----	1126302 N1G
		.....	-	1	-	-	-	-	-----	N1G
13	28400-ZOL-801	STARTER ASSY., RECOIL .....	-	-	-	1	-	-	-----	S1A1
	28400-ZOL-V71	STARTER ASSY., RECOIL	-	-	-	-	-	-	-----	S1A1
		(LONG ROPE)	-	-	-	1	-	-	-----	R3A1,STA1
14	28400-ZOM-800	STARTER ASSY., RECOIL .....	-	1	-	-	-	1	-----	A1G9,A2A9,A2G4,A2G9,S1E1,S2E1
15	66871-KY2-700	NUT, UPPER COWL .....	-	3	-	3	-	3	-----	A1G9,A2A9,A2G4,A2G9,R3A1,STA1,S1A1,S1E1,S2E1
16	28461-ZOL-V71	KNOB, RECOIL STARTER .....	-	-	-	1	-	-	-----	R3A1,STA1



Ref. No.	L.O.N.	(Relative ref. Number) Description	F.R.T.
2		(31) COCK, FUEL .....	0.1
3		3101A3 BRACKET, FUEL COCK .....	0.2
5		(32) TUBE, FUEL COCK .....	0.2
6		3101F2 COVER, ENGINE COOLING FAN ....	0.2
9		1141G8 BOLT, STUD .....	0.3
.NOTE: Same time for two units or more			
11		3101F1 TUBE, FUEL TANK .....	0.1
16		3101H9 PUMP, FUEL .....	0.3
18		3101E5 TUBE, DIAPHRAGM .....	0.2
19		3101K5 TUBE, FUEL TANK(A) .....	0.2
20		3101F7 TUBE B, FUEL .....	0.2

Ref. No.	Part No.	Description	Reqd. QTY						Serial No.	Parts catalogue code
			GCV 135	GCV 135 E	GCV 160	GCV 160 A	GCV 135 A	GCV 160 E		
1	16854-ZH8-000	RUBBER, SUPPORTER (107MM) ...	1	1	1	1	1	1		
2	16950-ZG9-M02	COCK ASSY., FUEL .....	1	1	1	-	-	1	----- A1E1,A1J,A1U,A2D,A2E1,A2U,A4E,N2D,N2E2,S2E,S2E1	
			1	-	1	-	-	-	----- A1D,N1E	
			1	-	-	-	-	-	----- A3E,N1E1,N2E3	
			-	1	-	-	-	-	----- A2G,N1G	
	16950-ZG9-M03	.....	1	-	-	-	-	-	----- 1623932 A1A,A1C,A1E,A1E7,A1E8,A2A,A2C,A2E,A2E4,A2E7,A2E8,A2E9	
			-	1	-	1	-	1	----- A2G,A2G7,A2R,A7E1,N1D,N1G,N1S,N1S7,N1U,N1W,N1W1,N1W7	
			-	-	-	-	-	-	----- N1W8,N2E,N2E1,N2E7,N2E8,N2E9,N2U,N7E1,N7E2	
			-	-	-	-	-	-	----- A1A,A1AE,A1AF,A1AS,A1C,A1E7,A1E8,A1G7,A1W7,A2A,A2C,A2E	
			-	-	-	-	-	-	----- A2E7,A2E8,A2E9,A2G7,A2G9,A3A,A7E1,BHH,E1G7,E2G7,N1A	
			-	-	-	-	-	-	----- N1AF,N1C,N1E,N1E7,N1S,N1S7,N1W,N1W7,N1W8,N1W9,N2E,N2E1	
			-	-	-	-	-	-	----- N2E3,N2E7,N2E8,N2E9,N2U,N3V,N5A,N5AF,N5C,N7A1,N7E1	
			-	1	-	-	-	-	----- N7E2,R1A,R3A,R3A1,STA1,S1A,S1A1,S3A	
			-	-	1	-	-	-	----- A1E,A1G9	
			-	-	-	-	-	-	----- 2439088 A1A,A1C,A1E,A1E7,A1E8,A1G7,A1P,A1W2,A1W7,A2A,A2C,A2E	
			-	-	-	-	-	-	----- A2E4,A2E7,A2E8,A2E9,A2G7,A2R,A3E,A7E1,N1,N1D,N1E1,N1E2	
			-	-	-	-	-	-	----- N1E7,N1R,N1U,N1W,N1W1,N1W2,N1W7,N1W8,N1W9,N2,N2E,N2E1	
			-	-	-	1	-	-	----- N2E3,N2E7,N2E8,N2E9,N2U,N3U,N3V,N7A1	
			-	-	-	-	1	-	----- A2R,N1U	

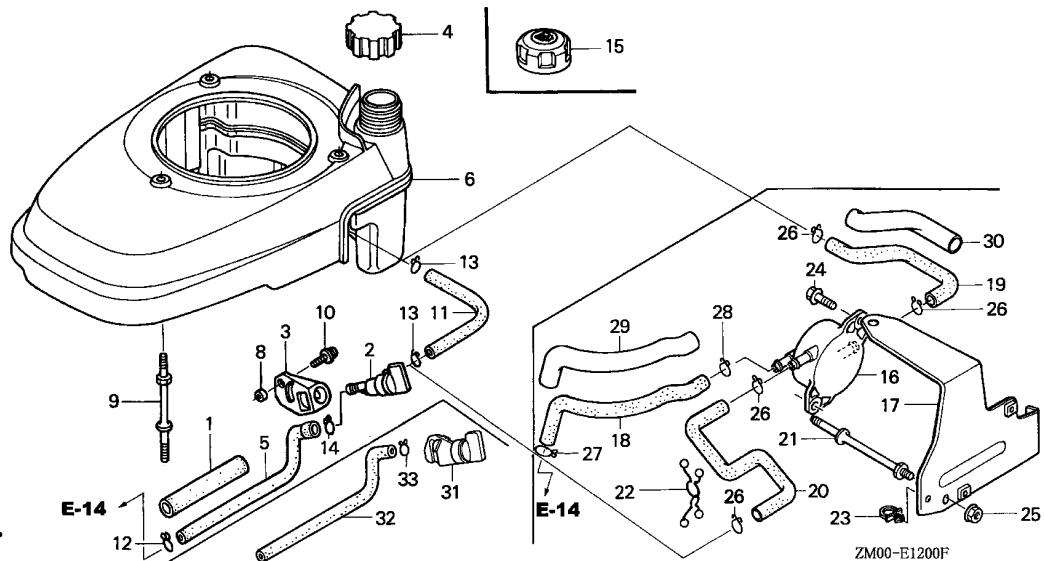




Ref. No.	Part No.	Description	Reqd. QTY						Serial No.	Parts catalogue code
			GCV 135	GCV 135 E	GCV 160	GCV 160 A	GCV 135 A	GCV 160 E		
3	16956-ZM0-000	BRACKET, FUEL COCK .....	1	1	1	-	-	1	-----	A1E1,A1J,A1U,A2D,A2E1,A2U,A4E,N2D,N2E2,S2E,S2E1 A1D,N1E A3E,N1E1,N2E3 1623712 A1A,A1C,A1E,A1E7,A1E8,A2A,A2C,A2E,A2E4,A2E7,A2E8,A2E9 A2G,A2G7,A2R,A7E1,N1D,N1G,N1S,N1S7,N1U,N1W,N1W1,N1W7 N1W8,N2E,N2E1,N2E7,N2E8,N2E9,N2U,N7E1,N7E2 A2G,A7E1,N1G,N7A1,N7E1,N7E2 2439088 A1A,A1C,A1E,A1E7,A1E8,A1G7,A1P,A1W2,A1W7,A2A,A2C,A2E A2E4,A2E7,A2E8,A2E9,A2G7,A2R,A3E,A7E1,N1,N1D,N1E1,N1E2 N1E7,N1R,N1U,N1W,N1W1,N1W2,N1W7,N1W8,N1W9,N2,N2E,N2E1 N2E3,N2E7,N2E8,N2E9,N2U,N3U,N3V,N7A1 16956-ZG9-M00 ..... - 1 - 1 - 1 ----- A1A,A1AE,A1AF,A1AS,A1C,A1E7,A1E8,A1G7,A1W7,A2A,A2C,A2E A2E7,A2E8,A2E9,A2G7,A2G9,A3A,BHH,E1G7,E2G7,N1A,N1AF N1C,N1E,N1E7,N1S,N1S7,N1W,N1W7,N1W8,N1W9,N2E,N2E1,N2E3 N2E7,N2E8,N2E9,N2U,N3V,N5A,N5AF,N5C,R1A,R3A,R3A1,STA1 S1A,S1A1,S3A A1G9,N7A1 A1E A2R,A7E1,N1U
4	17620-ZL8-003	CAP ASSY., FUEL TANK .....	1	-	-	-	-	1	-----	1622109 A1A,A1C,A1D,A1E,A1E1,A1J,A1U,A2A,A2C,A2D,A2E,A2E1,A2E4 A2G,A2R,A2U,A3E,A4E,N1D,N1E,N1E1,N1G,N1S,N1U,N1W,N1W1 N2D,N2E,N2E1,N2E2,N2E3,N2U 2226712 A1A,A1C,A1E,A1J,A1P,A1U,A1W2,A2A,A2C,A2E,A2E4,A2R,A2U A3E,A4E,N1,N1D,N1E1,N1E2,N1U,N1W,N1W1,N1W2,N2,N2D,N2E N2E1,N2E2,N2E3,N2U,N3V ----- A1A,A2A,A2R

Ref. No.	Part No.	Description	Reqd. QTY						Serial No.	Parts catalogue code	
			GCV 135	GCV 135 E	GCV 160	GCV 160 A	GCV 135 A	GCV 160 E			
(4)	17620-ZL8-013	CAP ASSY., FUEL TANK .....	1	-	1	1	-	-	-----	A1AE,A1AF,A1AS,A1E7,A1E8,A1G7,A1W7,A2E7,A2E8,A2E9,A2G7,A3A,A7E1,BHH,EHBB,E1A2,E1A4,E1G7,E2G7,E5A4,N1A,N1AF,N1C,N1E7,N1J1,N1R,N1S7,N1W7,N1W8,N1W9,N2E7,N2E8,N2E9,N3U,N5A,N5AF,N5C,N7A1,N7E1,N7E2,R1A,R3A,R3A1,STA1,S1A,S1A1,S3A	
			1	-	-	-	-	-	1622110	-----	A1A,A1C,A1D,A1E,A1E1,A1J,A1U,A2A,A2C,A2D,A2E,A2E1,A2E4,A2G,A2R,A2U,A3E,A4E,N1D,N1E,N1E1,N1G,N1S,N1U,N1W,N1W1,N2D,N2E,N2E1,N2E2,N2E3,N2U
			-	-	1	-	-	-	2226713	-----	A1A,A1C,A1E,A1J,A1P,A1U,A1W2,A2A,A2C,A2E,A2E4,A2R,A2U,A3E,A4E,N1,N1D,N1E1,N1E2,N1U,N1W,N1W1,N1W2,N2,N2D,N2E,N2E1,N2E2,N2E3,N2U,N3V
			-	-	-	1	-	-	-----	-----	A1C,A1E,A2C,A3E,N1E1,N1U,N2U,N3V
5	17702-ZM0-000	TUBE, FUEL .....	1	1	1	1	-	-	-----	-----	A1AE,A1AF,A1AS,A1D,A1E1,A1G9,A1J,A1U,A2D,A2E1,A2U,A4E,N1E,N2D,N2E2
			1	1	-	-	-	-	-----	-----	A3E,N1E1,N2E3
			1	-	-	-	-	-	1623712	-----	A1A,A1C,A1E,A1E7,A1E8,A2A,A2C,A2E,A2E4,A2E7,A2E8,A2E9,A2G,A2G7,A2R,A7E1,N1D,N1G,N1S,N1S7,N1U,N1W,N1W1,N1W7,N1W8,N2E,N2E1,N2E7,N2E8,N2E9,N2U,N7E1,N7E2
			-	1	-	1	-	1	-----	-----	A1A,A1C,A1E7,A1E8,A1G7,A1W7,A2A,A2C,A2E,A2E7,A2E8,A2E9,A2G,A2G7,A2G9,A3A,A7E1,BHH,E1G7,E2G7,N1A,N1AF,N1C,N1E7,N1G,N1S,N1S7,N1W,N1W7,N1W8,N1W9,N2E,N2E1,N2E7,N2E8,N2E9,N2U,N3V,N5A,N5AF,N5C,N7A1,N7E1,N7E2,R1A,R3A,R3A1,STA1,S1A,S1A1,S2E,S2E1,S3A
			-	1	-	-	-	-	-----	-----	A1E
			-	-	1	-	-	-	2439088	-----	A1A,A1C,A1E,A1E7,A1E8,A1G7,A1P,A1W2,A1W7,A2A,A2C,A2E,A2E4,A2E7,A2E8,A2E9,A2G7,A2R,A3E,A7E1,N1,N1D,N1E1,N1E2,N1E7,N1R,N1U,N1W,N1W1,N1W2,N1W7,N1W8,N1W9,N2,N2E,N2E1,N2E3,N2E7,N2E8,N2E9,N2U,N3U,N3V,N7A1
			-	-	-	1	-	-	-----	-----	A2R,N1U
			-	-	-	-	1	-	-----	-----	
6	19610-ZM1-000ZA	COVER COMP., FAN *NH1*.....BLACK	1	-	-	-	-	-	-----	1187905	A1A,A1C,A1D,A1E,A1E1,A1J,A1U,A2A,A2C,A2D,A2E,A2E1,A2U,A3E,A4E,N1D,N1E,N1E1,N1U,N1W,N2D,N2E,N2E1,N2E2,N2E3,N2U
	19610-ZM1-000ZB	*R8*.....BRIGHT RED	1	-	-	-	-	-	-----	1187905	A1E,A2E,N2E,N2U
	19610-ZM1-010ZA	*NH1*.....BLACK	1	1	-	-	-	-	-----	-----	A2E4,A2G7,A7E1,N1S,N7E1,N7E2
			1	-	-	-	-	-	-----	-----	A1E7,A1E8,A2E7,A2E8,A2E9,A2R,N1S7,N1W7,N2E7,N2E8
			1	-	-	-	-	-	1187906	-----	A1A,A1C,A1D,A1E,A1E1,A1J,A1U,A2A,A2C,A2D,A2E,A2E1,A2U,A3E,A4E,N1D,N1E,N1E1,N1U,N1W,N2D,N2E,N2E1,N2E2,N2E3,N2U
			-	1	-	-	-	-	-----	-----	A1E,A2E,N1E,N1W,N2E,N2E1,N2E3
			-	-	-	-	1	-	-----	-----	
	19610-ZM1-010ZB	*R8*.....BRIGHT RED	1	-	-	-	-	-	1187906	-----	N1E,N2E3
			1	-	-	-	-	-	1623804	-----	A1E7,A1E8,A2E4,A2E7,A2E8,A2E9,A2G7,N2E7,N2E9
			1	-	-	-	-	-	1187906	-----	1623804 A1E,A2E,N2E,N2U
			-	1	-	-	-	-	-----	-----	A1E,A2E,A2G7,N1E,N2E,N2E3
	19610-ZM1-010ZC	*Y166R*.....WOLF YELLOW	1	1	-	-	-	-	-----	-----	N1W1,N1W8
	19610-Z1L-800ZA	*NH1*.....BLACK	-	-	-	-	-	1	-----	-----	S1E1,S2E,S2E1
	19610-Z1L-800ZB	*R8*.....BRIGHT RED	-	-	-	-	-	1	-----	-----	S2E,S2E1
	19610-ZM0-J10ZA	*R8*.....BRIGHT RED	1	-	-	-	-	-	-----	1184251	A2G,N1G
			-	-	1	-	-	-	-----	1417474	A1P
	19610-ZM0-000ZA	*NH1*.....BLACK	-	-	1	-	-	-	-----	1417474	A1A,A1C,A1E,A1J,A1U,A2A,A2C,A2E,A2U,A3E,A4E,N1,N1D,N1E1,N1E2,N1U,N1W,N2,N2D,N2E,N2E1,N2E2,N2E3,N2U
	19610-ZM0-000ZB	*R8*.....BRIGHT RED	-	-	1	-	-	-	-----	1417474	A1E,A2E,N1U,N2E,N2E3,N2U,N3V
	19610-ZM1-010ZD	*R280*.....POWER RED	1	-	-	-	-	-	1623805	-----	A1E,A1E7,A1E8,A2E,A2E4,A2E7,A2E8,A2E9,A2G7,N2E,N2E7,N2E9,N2U



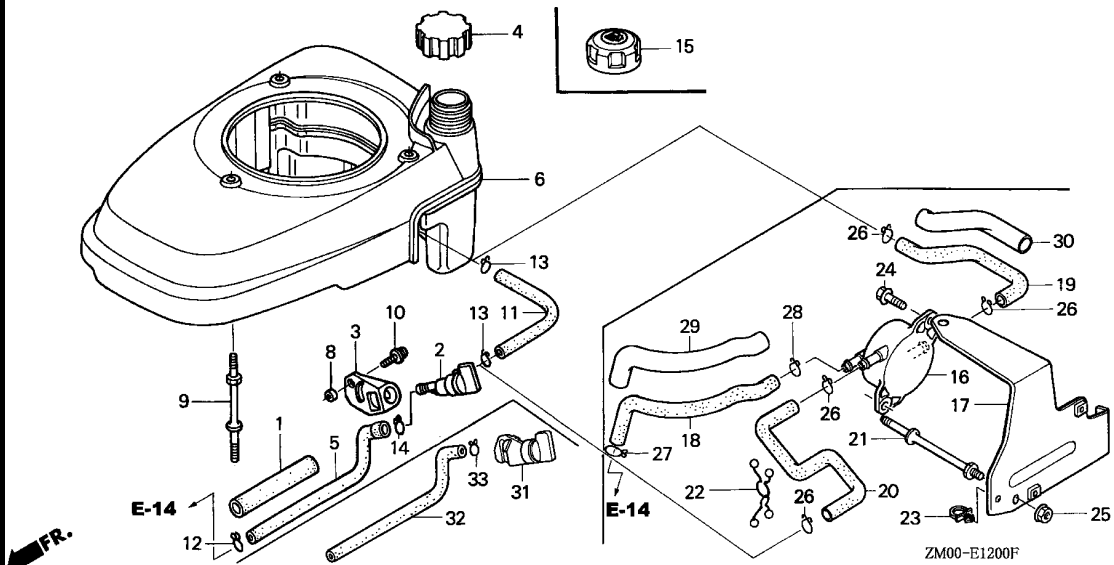


Ref. No.	Part No.	Description	Reqd. QTY						Serial No.	Parts catalogue code
			GCV 135	GCV 135 E	GCV 160	GCV 160 A	GCV 135 A	GCV 160 E		
(6)	19610-ZM0-J11ZA	COVER COMP., FAN								
		*R8*.....BRIGHT RED	1	-	-	-	-	-	1184252	----- A2G,N1G
			-	1	-	-	-	-	-----	A2G,N1G
	19610-ZM0-J11ZC	*R280*.....POWER RED	-	-	1	-	-	-	1417475	2428341 A1P
	19610-ZOM-000ZA	*R8*.....BRIGHT RED	-	1	-	-	-	-	2428342	----- A1P
	19610-ZOM-000ZB	*NH1*.....BLACK	-	1	-	-	-	-	-----	A1E,A1E7,A1E8,A2E,A2E7,A2E8,A2E9,A2G7,A2G9,N1E,N1S,N1W N2E,N2E1,N2E3,N2E7,N2E8,N2E9
	19610-ZOM-800ZA	*NH1*.....BLACK	-	1	-	-	-	-	-----	A1E,A1E7,A1E8,A1G9,A2E,A2E7,A2E8,A2E9,A2G4,A2G7,A2G9 A2R,N1E,N1S,N1S7,N1U,N1W,N1W7,N2E,N2E1,N2E3,N2E7,N2E8 N2KA
	19610-ZOM-010ZA	*NH1*.....BLACK	-	-	1	1	-	-	-----	S2E,S2E1
			-	-	1	-	-	1	-----	A2R,N1J1
			-	-	1	-	-	-	-----	A1E7,A1E8,A1G7,A2E4,A2E7,A2E8,A2E9,A2G7,A7E1,N1E7,N1W7 N1W8,N1W9,N2E7,N2E8,N2E9,N3U,N3V,N7A1
			-	-	1	-	-	-	1417475	----- A1A,A1C,A1E,A1J,A1U,A2A,A2C,A2E,A2U,A3E,A4E,N1,N1D N1E1,N1E2,N1U,N1W,N2,N2D,N2E,N2E1,N2E2,N2E3,N2U
			-	-	-	1	-	1	-----	A1A,A1C,A2A,A2C,A2G9,A3E7,N1A,N1C,N5A,N5C
			-	-	-	-	-	1	-----	A1W7
	19610-ZM0-010ZB	*R8*.....BRIGHT RED	-	-	1	-	-	-	2424487	A1E7,A1E8,A2E4,A2E7,A2E8,A2E9,A2G7,N1R,N2E7,N2E9
			-	-	1	-	-	-	1417475	2424487 A1E,A2E,N1U,N2E,N2E3,N2U,N3V
	19610-ZM0-010ZC	*Y166R*.....WOLF YELLOW	-	-	1	1	-	1	-----	A1E7,A1E8,A2E7,A2E8,A2E9,A2G7,A2G9,N1E7,N2E7,N2E8,N2E9
			-	-	-	-	-	1	-----	A1W2,A1W7,N1W1,N1W2,N1W8,N1W9
	19610-ZOL-000ZA	*NH1*.....BLACK	-	-	-	1	-	-	-----	N1W7
			-	-	-	1	-	-	-----	A1AE,A1AF,A1AS,A1C,A1E,A1E7,A1E8,A2C,A2E7,A2E8,A2E9 A2G7,A3E,A7E1,N1AF,N1C,N1E1,N1E7,N1R,N1U,N1W7,N2E7 N2E8,N2E9,N2U,N3U,N3V,N5AF,N5C,N7A1
	19610-ZOL-000ZB	*R8*.....BRIGHT RED	-	-	-	1	-	-	-----	A1E7,A1E8,A2E7,A2E8,A2E9,A2G7,N2E7,N2E9,N3V
	19610-ZOL-000ZC	*T89*.....CRAFTSMAN RED	-	-	-	1	-	-	-----	A1AE,BHH
	19610-ZOL-000ZE	*T90*.....EHP ORANGE	-	-	-	1	-	-	-----	A3A

Ref. No.	Part No.	Description	Reqd. QTY						Serial No.	Parts catalogue code
			GCV 135	GCV 135 E	GCV 160	GCV 160 A	GCV 135 A	GCV 160 E		
(6)	19610-Z0M-J10ZC	COVER COMP., FAN	-	-	-	-	-	1	-----	A1P
		*NH1*.....BLACK	-	-	-	-	-	1	-----	A1P
	19610-Z0M-J10ZD	*R280 1*.....POWER RED	-	-	-	-	-	1	-----	A1G9,A2G4,A2R,N1U
	19610-Z0M-000ZC	*R280*.....POWER RED	-	1	-	-	-	-	-----	N3U
	19610-Z0M-010ZD	*R280*.....POWER RED	-	-	1	-	-	-	2424488	A1E,A1E7,A1E8,A2E,A2E4,A2E7,A2E8,A2E9,A2G7,N1E2,N1R,N1U,N2E,N2E3,N2E7,N2E9,N2U,N3V
		*R280*.....POWER RED	-	-	-	1	-	-	-----	A1E,A3E,N1E1,N1R,N3U
	19610-Z0L-800ZA	*NH1*.....BLACK	-	-	-	1	-	-	-----	STA1,S1A,S1A1
	19610-Z0L-800ZC	*T89*.....CRAFTSMAN RED	-	-	-	1	-	-	-----	S3A
	19610-Z1L-000ZA	*NH1*.....BLACK	-	-	-	-	-	1	-----	A1G9,A2A9,A2G4,A2R,N1D,N1E1,N1E2,N1J1,N1R,N1T8,N1T9
	19610-Z1L-000ZB	*R280*.....POWER RED	-	-	-	-	-	1	-----	A1G9,A2G4,A2R,N1D,N1E1,N1E2,N1J1,N1R
	19610-Z0L-820ZA	*NH1*.....BLACK	-	-	-	1	-	-	-----	EHHB,E1A2,E1A4,E1G7,E2G7,E5A4
	19610-Z0L-820ZB	*R280*.....POWER RED	-	-	-	1	-	-	-----	EHHB,E1A2,E1A4,E1G7,E2G7,E5A4
	19610-Z0L-820ZC	*T89*.....CRAFTSMAN RED	-	-	-	1	-	-	-----	E1G7,E2G7
	19610-Z0L-820ZD	*T90*.....EHP ORANGE	-	-	-	1	-	-	-----	E1G7,E2G7
	19610-Z0L-820ZE	*Y166R*.....WOLF YELLOW	-	-	-	1	-	-	-----	E1G7,E2G7
	19610-Z0L-830ZA	*NH1*.....BLACK	-	-	-	1	-	-	-----	R1A,R3A,R3A1
	19610-Z0L-830ZB	*R280*.....POWER RED	-	-	-	1	-	-	-----	R1A,R3A
	19610-Z0L-830ZC	*T89*.....CRAFTSMAN RED	-	-	-	1	-	-	-----	R1A,R3A
	19610-Z0L-830ZD	*T90*.....EHP ORANGE	-	-	-	1	-	-	-----	R1A,R3A
	19610-Z0L-830ZE	*Y166R*.....WOLF YELLOW	-	-	-	1	-	-	-----	R1A,R3A
8	33609-GK4-620	COLLAR, FR. WINKER .....	1	1	1	-	1	1	-----	A1A,A1AS,A1C,A1E,A1E7,A1E8,A1W7,A2A,A2C,A2E7,A2E8,A2E9,A2G7,A2R,A3E,A7E1,BHH,EHHB,N1A,N1C,N1E1,N1E7,N1R,N1U,N1W7,N1W8,N1W9,N2E7,N2E8,N2E9,N2U,N3U,N3V,N5A,N5C,N7A1
			-	-	-	1	-	-	-----	A1AE,A1AF,A3A,E1A2,E1A4,E1G7,E2G7,E5A4,N1AF,N5AF,R1A,R3A,R3A1,STA1,S1A,S1A1,S3A
	91501-Z0L-800	COLLAR, FUEL COCK .....	-	-	-	1	-	-	-----	A1A,A1C,A1D,A1E,A1E1,A1E7,A1E8,A1G9,A1J,A1U,A2A,A2C,A2D,A2E,A2E1,A2E4,A2E7,A2E8,A2E9,A2G4,A2G7,A2G9,A2R,A2U,A3E,A4E,A7E1,N1D,N1E,N1E1,N1S,N1S7,N1U,N1W,N1W1,N1W7,N1W8,N2D,N2E,N2E1,N2E2,N2E3,N2E7,N2E8,N2E9,N2KA,N2U,N7E1,N7E2,S2E,S2E1
9	90041-ZL9-000	BOLT, STUD .....	3	3	-	-	-	-	-----	A2G,N1G
			-	-	-	-	3	-	-----	
	90043-ZL8-000	.....	3	3	-	-	-	-	-----	
			-	-	3	3	-	3	-----	
10	93891-05010-08	SCREW-WASHER, 5X10 .....	1	1	1	1	1	1	-----	
11	95001-55135-40	TUBE, FUEL, 5.3X135 (95001-55001-60M)	1	1	-	-	-	-	-----	A1A,A1C,A1D,A1E,A1E1,A1E7,A1E8,A1G9,A1J,A1U,A2A,A2C,A2D,A2E,A2E1,A2E4,A2E7,A2E8,A2E9,A2G,A2G4,A2G7,A2G9,A2R,A2U,A3E,A4E,N1D,N1E,N1E1,N1G,N1S,N1S7,N1U,N1W,N1W1,N1W7,N1W8,N2D,N2E,N2E1,N2E2,N2E3,N2E7,N2E8,N2E9,N2KA,N2U,S2E,S2E1
			-	-	-	-	1	-	-----	A1E,A1G7,A1P,A3E,EHHB,E1A2,E1A4,E5A4,N1D,N1E1,N1E2,N1J1,N1R,N3U
	95001-55150-40	TUBE, FUEL, 5.3X150 (95001-55001-60M)	-	-	1	1	-	1	-----	A1A,A1C,A1E7,A1E8,A1G9,A1J,A1U,A1W2,A1W7,A2A,A2A9,A2C,A2E,A2E4,A2E7,A2E8,A2E9,A2G4,A2G7,A2G9,A2R,A2U,A3E7,A4E,N1,N1E7,N1T8,N1T9,N1U,N1W,N1W1,N1W2,N1W7,N1W8,N1W9,N2,N2D,N2E,N2E1,N2E2,N2E3,N2E7,N2E8,N2E9,N2U,N3V,S1E1,S2E,S2E1
			-	-	-	1	-	-	-----	A1A,A1AE,A1AF,A1AS,A1C,A1E7,A1E8,A1W7,A2A,A2C,A2E7,A2E8,A2E9,A2G7,A2R,A3A,BHH,E1G7,E2G7,N1A,N1AF,N1C,N1E7,N1U,N1W7,N1W8,N1W9,N2E7,N2E8,N2E9,N2U,N3V,N5A,N5AF,N5C,R1A,R3A,R3A1,STA1,S1A,S1A1,S3A
12	95002-02080	CLIP, TUBE (B8) .....	1	1	1	1	1	1	-----	



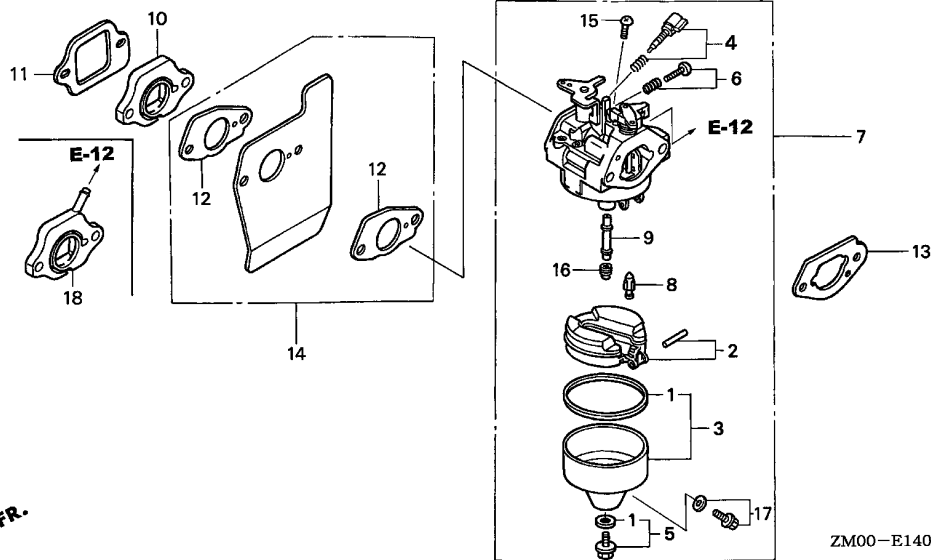




Ref. No.	Part No.	Description	Reqd. QTY						Serial No.	Parts catalogue code
			GCV 135	GCV 135 E	GCV 160	GCV 160 A	GCV 135 A	GCV 160 E		
13	95002-02100	CLIP, TUBE (B10) .....	2	2	2	2	-	2	-----	A1A,A1AE,A1AF,A1AS,A1C,A1D,A1E,A1E1,A1E7,A1E8,A1G7,A1G9,A1J,A1P,A1U,A1W2,A1W7,A2A,A2A9,A2C,A2D,A2E,A2E1,A2E4,A2E7,A2E8,A2E9,A2G,A2G4,A2G7,A2G9,A2R,A2U,A3A,A3E,A3E7,A4E,BHH,EHHA,E1A2,E1A4,E1G7,E2G7,E5A4,N1,N1A,N1AF,N1C,N1D,N1E,N1E1,N1E2,N1E7,N1G,N1J1,N1R,N1S,N1S7,N1T8,N1T9,N1U,N1W,N1W1,N1W2,N1W7,N1W8,N1W9,N2,N2D,N2E,N2E1,N2E2,N2E3,N2E7,N2E8,N2E9,N2KA,N2U,N3U,N3V,N5A,N5AF,N5C,R1A,R3A,R3A1,STA1,S1A,S1A1,S1E1,S2E,S2E1,S3A
14	95002-50000	CLIP, TUBE (C9) .....	1	1	1	1	-	2	-----	A1AE,A1AF,A1AS,A1D,A1E1,A1G9,A1J,A1U,A2D,A2E1,A2U,A4E,N1E,N2D,N2E2
			1	1	-	-	-	-	-----	A3E,N1E1,N2E3
			1	-	-	-	-	-	1623712	A1A,A1C,A1E,A1E7,A1E8,A2A,A2C,A2E,A2E4,A2E7,A2E8,A2E9,A2G,A2G7,A2R,A7E1,N1D,N1G,N1S,N1S7,N1U,N1W,N1W1,N1W7,N1W8,N2E,N2E1,N2E7,N2E8,N2E9,N2U,N7E1,N7E2
			-	1	-	1	-	1	-----	A1A,A1C,A1E7,A1E8,A1G7,A1W7,A2A,A2C,A2E,A2E7,A2E8,A2E9,A2G,A2G7,A2G9,A3A,A7E1,BHH,E1G7,E2G7,N1A,N1AF,N1C,N1E7,N1G,N1S,N1S7,N1W,N1W7,N1W8,N1W9,N2E,N2E1,N2E7,N2E8,N2E9,N2U,N3V,N5A,N5AF,N5C,N7A1,N7E1,N7E2,R1A,R3A,R3A1,STA1,S1A,S1A1,S2E,S2E1,S3A
			-	1	-	-	-	-	-----	A1E
			-	-	1	-	-	-	2439088	A1A,A1C,A1E,A1E7,A1E8,A1G7,A1P,A1W2,A1W7,A2A,A2C,A2E,A2E4,A2E7,A2E8,A2E9,A2G7,A2R,A3E,A7E1,N1,N1D,N1E1,N1E2,N1E7,N1R,N1U,N1W,N1W1,N1W2,N1W7,N1W8,N1W9,N2,N2E,N2E1,N2E3,N2E7,N2E8,N2E9,N2U,N3U,N3V,N7A1
			-	-	-	1	-	-	-----	A2R,N1U
15	17620-ZOM-000	CAP ASSY., FUEL TANK .....	-	1	-	-	-	1	-----	E1G7,E2G7,R1A,R3A,R3A1

Ref. No.	Part No.	Description	Reqd. QTY						Serial No.	Parts catalogue code
			GCV 135	GCV 135 E	GCV 160	GCV 160 A	GCV 135 A	GCV 160 E		
16	16700-ZOM-782	PUMP ASSY., FUEL .....	1	1	1	1	-	1	-----	A7E1,N7A1,N7E1,N7E2
17	16711-ZOM-780	STAY, FUEL PUMP .....	1	1	-	-	-	-	-----	A7E1,N7E1,N7E2
	16711-ZOL-780	.....	-	-	1	1	-	1	-----	A7E1,N7A1
18	16882-ZOM-780	TUBE, DIAPHRAGM .....	1	1	-	-	-	-	-----	A7E1,N7E1,N7E2
	16882-ZOL-780	.....	-	-	1	1	-	1	-----	A7E1,N7A1
19	17701-ZOM-780	TUBE, FUEL TANK .....	1	1	1	1	-	1	-----	A7E1,N7A1,N7E1,N7E2
20	17703-ZOM-780	TUBE B, FUEL .....	1	1	-	-	-	-	-----	A7E1,N7E1,N7E2
	17703-ZOL-780	.....	-	-	1	1	-	1	-----	A7E1,N7A1
21	90041-ZOM-780	BOLT, STUD .....	1	1	1	1	-	1	-----	A7E1,N7A1,N7E1,N7E2
22	90601-ZOM-003	CLIP, PURSE LOCK .....	1	1	1	1	-	1	-----	A7E1,N7A1,N7E1,N7E2
23	90659-680-013	CLIP, WIRE HARNESS .....	1	1	1	1	-	1	-----	A7E1,N7A1,N7E1,N7E2
24	93894-05014-00	SCREW-WASHER, 5X14 .....	2	2	2	2	-	2	-----	A7E1,N7A1,N7E1,N7E2
25	94050-06000	NUT, FLANGE, 6MM .....	1	1	1	1	-	1	-----	A7E1,N7A1,N7E1,N7E2
26	95002-02100	CLIP, TUBE (B10) .....	4	4	4	4	-	4	-----	A7E1,N7A1,N7E1,N7E2
27	95002-45000	CLIP, TUBE (C8) .....	1	1	1	1	-	1	-----	A7E1,N7A1,N7E1,N7E2
28	95002-50000	CLIP, TUBE (C9) .....	1	1	1	1	-	1	-----	A7E1,N7A1,N7E1,N7E2
29	95003-25021-20	TUBE, VINYL, 9X11X210 (95003-25001-10M)	1	1	1	1	-	1	-----	A7E1,N7A1,N7E1,N7E2
30	95003-36010-20	TUBE, VINYL, 11X13X100 (95003-36001-10M)	1	1	1	1	-	1	-----	A7E1,N7A1,N7E1,N7E2
31	16950-ZMO-003	COCK ASSY., FUEL .....	1	-	-	-	-	-	1623933	A1A,A1C,A1E,A1E7,A1E8,A2A,A2C,A2E,A2E4,A2E7,A2E8,A2E9 A2G,A2G7,A2R,A7E1,N1D,N1G,N1S,N1S7,N1U,N1W,N1W1,N1W7 N1W8,N2E,N2E1,N2E7,N2E8,N2E9,N2U,N7E1,N7E2 A2G4,N1E1,N1R,N2KA A2R,N1U N1J1
			-	1	-	1	-	1	-----	-----
			-	1	-	-	-	1	-----	-----
			-	-	1	-	-	1	-----	-----
			-	-	1	-	-	-	2439089	A1A,A1C,A1E,A1E7,A1E8,A1G7,A1P,A1W2,A1W7,A2A,A2C,A2E A2E4,A2E7,A2E8,A2E9,A2G7,A2R,A3E,A7E1,N1,N1D,N1E1,N1E2 N1E7,N1R,N1U,N1W,N1W1,N1W2,N1W7,N1W8,N1W9,N2,N2E,N2E1 N2E3,N2E7,N2E8,N2E9,N2U,N3U,N3V,N7A1 A1E,A1G9,A1P,A2A9,A3E,A3E7,EHHB,E1A2,E1A4,E5A4,N1D N1E2,N1T8,N1T9,N3U,S1E1
32	17702-ZMO-800	TUBE, FUEL .....	1	-	-	-	-	-	1623713	A1A,A1C,A1E,A1E7,A1E8,A2A,A2C,A2E,A2E4,A2E7,A2E8,A2E9 A2G,A2G7,A2R,A7E1,N1D,N1G,N1S,N1S7,N1U,N1W,N1W1,N1W7 N1W8,N2E,N2E1,N2E7,N2E8,N2E9,N2U,N7E1,N7E2 A2G4,N1E1,N1R,N2KA A2R,N1U N1J1
			-	1	-	1	-	1	-----	-----
			-	1	-	-	-	1	-----	-----
			-	-	1	-	-	-	2439089	A1A,A1C,A1E,A1E7,A1E8,A1G7,A1P,A1W2,A1W7,A2A,A2C,A2E A2E4,A2E7,A2E8,A2E9,A2G7,A2R,A3E,A7E1,N1,N1D,N1E1,N1E2 N1E7,N1R,N1U,N1W,N1W1,N1W2,N1W7,N1W8,N1W9,N2,N2E,N2E1 N2E3,N2E7,N2E8,N2E9,N2U,N3U,N3V,N7A1 A1E,A1G9,A1P,A2A9,A3E,A3E7,EHHB,E1A2,E1A4,E5A4,N1D N1E2,N1T8,N1T9,N3U,S1E1
33	95002-02080	CLIP, TUBE (B8) .....	1	-	-	-	-	-	1623713	A1A,A1C,A1E,A1E7,A1E8,A2A,A2C,A2E,A2E4,A2E7,A2E8,A2E9 A2G,A2G7,A2R,A7E1,N1D,N1G,N1S,N1S7,N1U,N1W,N1W1,N1W7 N1W8,N2E,N2E1,N2E7,N2E8,N2E9,N2U,N7E1,N7E2 A2G4,N1E1,N1R,N2KA A2R,N1U N1J1
			-	1	-	1	-	1	-----	-----
			-	1	-	-	-	1	-----	-----
			-	-	1	-	-	-	2439089	A1A,A1C,A1E,A1E7,A1E8,A1G7,A1P,A1W2,A1W7,A2A,A2C,A2E A2E4,A2E7,A2E8,A2E9,A2G7,A2R,A3E,A7E1,N1,N1D,N1E1,N1E2 N1E7,N1R,N1U,N1W,N1W1,N1W2,N1W7,N1W8,N1W9,N2,N2E,N2E1 N2E3,N2E7,N2E8,N2E9,N2U,N3U,N3V,N7A1 A1E,A1G9,A1P,A2A9,A3E,A3E7,EHHB,E1A2,E1A4,E5A4,N1D N1E2,N1T8,N1T9,N3U,S1E1
			-	-	-	1	-	1	-----	A1E,A1G9,A1P,A2A9,A3E,A3E7,EHHB,E1A2,E1A4,E5A4,N1D N1E2,N1T8,N1T9,N3U,S1E1



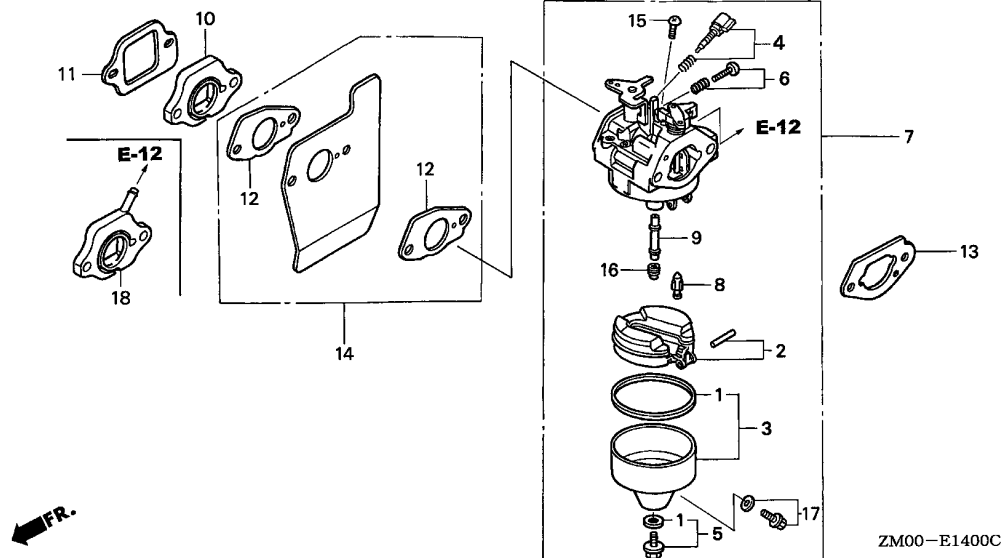


Ref. No.	L.O.N.	(Relative ref. Number) Description	F.R.T.
1	3111B1	GASKET SET, CARBURETOR .....	0.4
4	3111D7	SCREW SET, PILOT .....	0.2
7	3111F3	CARBURETOR .....	0.3
8		(2)	
	3111E1	VALVE SET, FLOAT AND/OR FLOAT SET .....	0.4
10		(11,18)	
	3111C0	INSULATOR, CARBURETOR AND/OR PACKING, INSULATOR .....	0.3
12	3111C8	PACKING, CARBURETOR .....	0.3
		.NOTE: Same time for two units	
13	3111G5	PACKING, CARBURETOR(A) .....	0.2
14	4131L0	GUIDE, AIR .....	0.3
16	3111C3	JET, MAIN .....	0.4

Ref. No.	Part No.	Description	Reqd. QTY						Serial No.	Parts catalogue code
			GCV 135	GCV 135 E	GCV 160	GCV 160 A	GCV 135 A	GCV 160 E		
1	16010-883-015	PACKING SET .....	1	1	1	1	1	1		
2	16013-ZL1-003	FLOAT SET .....	1	1	1	1	1	1		
3	16015-892-015	CHAMBER SET, FLOAT (CARBURETOR NO.)	1	-	-	-	-	-	BB64A B	A1D,A1E,A1E1,A1J,A1U,A2D,A2E,A2E1,A2G,A2U,A3E,A4E,N1D,N1E,N1E1,N1G,N1U,N1W,N2D,N2E,N2E1,N2E2,N2E3,N2U
	///	///	1	-	-	-	-	-	BB64B B	A1A,A1C,A2A,A2C
	///	///	-	-	1	-	-	-	BB62A C	A1E,A1J,A1P,A1U,A2E,A2U,A3E,A4E,N1,N1D,N1E1,N1E2,N1U,N1W,N2,N2D,N2E,N2E1,N2E2,N2E3,N2U,N3V
	///	///	-	-	1	-	-	-	BB62B C	A1A,A1C,A2A,A2C
16015-887-782		.....	1	-	1	-	-	-	BB64A C	A1E7,A1E8,A1G7,A1W2,A1W7,A2E4,A2E7,A2E8,A2E9,A2G7,A2R A7E1,N1E7,N1J1,N1R,N1S,N1S7,N1W1,N1W2,N1W7,N1W8,N1W9 N2E7,N2E8,N2E9,N3U,N7A1,N7E1,N7E2
	(CARBURETOR NO.)		1	-	-	-	-	-	BB64A C	A1D,A1E,A1E1,A1J,A1U,A2D,A2E,A2E1,A2G,A2U,A3E,A4E,N1D,N1E,N1E1,N1G,N1U,N1W,N2D,N2E,N2E1,N2E2,N2E3,N2U
	///	///	1	-	-	-	-	-	BB64B C	A1A,A1C,A2A,A2C
	(CARBURETOR NO.)		-	1	-	1	1	1	BB62A D	A1E,A1J,A1P,A1U,A2E,A2U,A3E,A4E,N1,N1D,N1E1,N1E2,N1U,N1W,N2,N2D,N2E,N2E1,N2E2,N2E3,N2U,N3V
	///	///	-	-	1	-	-	-	BB62B D	A1A,A1C,A2A,A2C
4	16016-892-005	SCREW SET A (CARBURETOR NO.)	1	-	-	-	-	-	BB64A C	A1D,A1E,A1E1,A1J,A1U,A2D,A2E,A2E1,A2G,A2U,A3E,A4E,N1D,N1E,N1E1,N1G,N1U,N1W,N2D,N2E,N2E1,N2E2,N2E3,N2U
	(CARBURETOR NO.)		-	-	1	-	-	-	BB62A D	A1E,A1J,A1P,A1U,A2E,A2U,A3E,A4E,N1,N1D,N1E1,N1E2,N1U,N1W,N2,N2D,N2E,N2E1,N2E2,N2E3,N2U,N3V

Ref. No.	Part No.	Description	Reqd. QTY						Serial No.	Parts catalogue code
			GCV 135	GCV 135 E	GCV 160	GCV 160 A	GCV 135 A	GCV 160 E		
(4)	16016-ZG0-W00	SCREW SET .....	1	1	1	1	-	1	-----	A1A,A1AS,A1E7,A1E8,A1G7,A1G9,A1W2,A1W7,A2A,A2A9,A2E4,A2E7,A2E8,A2E9,A2G4,A2G7,A2G9,A2R,A3E7,A7E1,BHH,EHBB,E1A2,E1A4,E1G7,E2G7,E5A4,N1A,N1C,N1E7,N1J1,N1R,N1S,N1S7,N1T8,N1T9,N1W1,N1W2,N1W7,N1W8,N1W9,N2E7,N2E8,N2E9,N2KA,N3U,N5A,N5C,N7A1,N7E1,N7E2
		(CARBURETOR NO.)	1	-	-	1	-	1	-----	A1C,A1P,A2C,N1E2,N3V
			1	-	-	-	-	-	BB64B C	A1D,A1E,A1E1,A1J,A1U,A2D,A2E,A2E1,A2G,A2U,A3E,A4E,N1D,N1E,N1E1,N1G,N1U,N1W,N2D,N2E,N2E1,N2E2,N2E3,N2U
		(CARBURETOR NO.)	-	-	1	-	-	-	BB62B D	A1E,A2E,A2G,A3E,N1D,N1E,N1E1,N1G,N1U,N1W,N2E,N2E1,N2E3,N2U
			-	-	-	1	-	-	-----	A1E,A1J,A1P,A1U,A2E,A2U,A3E,A4E,N1,N1D,N1E1,N1E2,N1U,N1W,N2,N2D,N2E,N2E1,N2E2,N2E3,N2U,N3V
			-	-	-	-	1	-	-----	A1AE,A1AF,A3A,N1AF,N5AF
5	16028-ZE0-005	SCREW SET .....	1	1	1	1	1	1	-----	
6	16029-ZG0-901	SCREW SET .....	1	1	1	-	1	-	-----	
			-	-	-	1	-	1	-----	A1A,A1AE,A1AF,A1AS,A1C,A1E,A1E7,A1E8,A1G7,A1G9,A1P,A1W7,A2A,A2A9,A2C,A2E7,A2E8,A2E9,A2G4,A2G7,A2G9,A2R,A3A,A3E,A3E7,A7E1,BHH,EHBB,E1A2,E1A4,E1G7,E2G7,E5A4,N1A,N1AF,N1C,N1D,N1E1,N1E2,N1E7,N1J1,N1R,N1T8,N1T9,N1U,N1W7,N1W8,N1W9,N2E7,N2E8,N2E9,N2U,N3U,N3V,N5A,N5AF,N5C,N7A1
7	16100-ZM1-003	CARBURETOR ASSY. (BB64A A) ..	1	-	-	-	-	-	-----	1026455 A1D,A1E,A1E1,A1J,A1U,A2D,A2E,A2E1,A2G,A2U,A3E,A4E,N1D,N1E,N1E1,N1G,N1U,N2D,N2E,N2E1,N2E2,N2E3,N2U
	16100-ZM1-013	CARBURETOR ASSY. (BB64A B) ..	1	-	-	-	-	-	-----	1329234 N1W
			1	-	-	-	-	-	1026456	1329234 A1D,A1E,A1E1,A1J,A1U,A2D,A2E,A2E1,A2G,A2U,A3E,A4E,N1D,N1E,N1E1,N1G,N1U,N2D,N2E,N2E1,N2E2,N2E3,N2U
	16100-ZM1-023	CARBURETOR ASSY. (BB64A C) ..	1	-	-	-	-	-	1329235	1361490 A1D,A1E,A1E1,A1J,A1U,A2D,A2E,A2E1,A2G,A2U,A3E,A4E,N1D,N1E,N1E1,N1G,N1U,N1W,N2D,N2E,N2E1,N2E2,N2E3,N2U
	16100-ZM1-801	CARBURETOR ASSY. (BB64B A) ..	1	-	-	-	-	-	-----	1027809 A1A,A1C,A2A,A2C
	16100-ZM1-802	CARBURETOR ASSY. (BB64B B) ..	1	-	-	-	-	-	1027810	1329234 A1A,A1C,A2A,A2C
	16100-ZM1-803	CARBURETOR ASSY. (BB64B C) ..	1	-	-	-	-	-	1361491	A1D,A1E1,A1J,A1U,A2D,A2E1,A2U,A3E,A4E,N1E,N2D,N2E2,N2E3
			1	-	-	-	-	-	-----	1580464 A2R
			1	-	-	-	-	-	-----	1623459 N1S,N1W1
			1	-	-	-	-	-	1329235	1623459 A1A,A1C,A2A,A2C
			1	-	-	-	-	-	1361491	1623459 A1E,A2E,A2G,N1D,N1E1,N1G,N1U,N1W,N2E,N2E1,N2U
			-	1	-	-	-	-	-----	A2G,N1G
	16100-ZM1-822	CARBURETOR ASSY. (BB64F A) ..	1	1	-	-	-	-	-----	A1E7,A1E8,A1G9,A2E4,A2E7,A2E8,A2E9,A2G4,A2G7,A2G9,N1S7,N1W7,N1W8,N2E7,N2E8,N2E9,N2KA
			1	-	-	-	-	-	1580465	A2R
			1	-	-	-	-	-	1623460	A1A,A1C,A1E,A2A,A2C,A2E,A2G,N1D,N1E1,N1G,N1S,N1U,N1W,N1W1,N2E,N2E1,N2U
			-	1	-	-	-	-	-----	A1E,A2E,A2R,N1E,N1S,N1U,N1W,N2E,N2E1,N2E3
	16100-Z0M-781	CARBURETOR ASSY. (BB64G A) ..	1	1	-	-	-	-	-----	A7E1,N7E1,N7E2
	16100-Z0M-801	CARBURETOR ASSY. (BB64H A) ..	-	1	-	-	-	-	-----	S2E,S2E1
	16100-ZM0-013	CARBURETOR ASSY. (BB62A C) ..	-	-	1	-	-	-	-----	1676295 A1E,A1J,A1P,A1U,A2E,A2U,A3E,A4E,N1,N1D,N1E1,N1E2,N1U,N1W,N2,N2D,N2E,N2E1,N2E2,N2E3,N2U,N3V
	16100-ZM0-023	CARBURETOR ASSY. (BB62A D) ..	-	-	1	-	-	-	1676296	1733302 A1E,A1J,A1P,A1U,A2E,A2U,A3E,A4E,N1,N1D,N1E1,N1E2,N1U,N1W,N2,N2D,N2E,N2E1,N2E2,N2E3,N2U,N3V
	16100-ZM0-802	CARBURETOR ASSY. (BB62B C) ..	-	-	1	-	-	-	-----	1676295 A1A,A1C,A2A,A2C



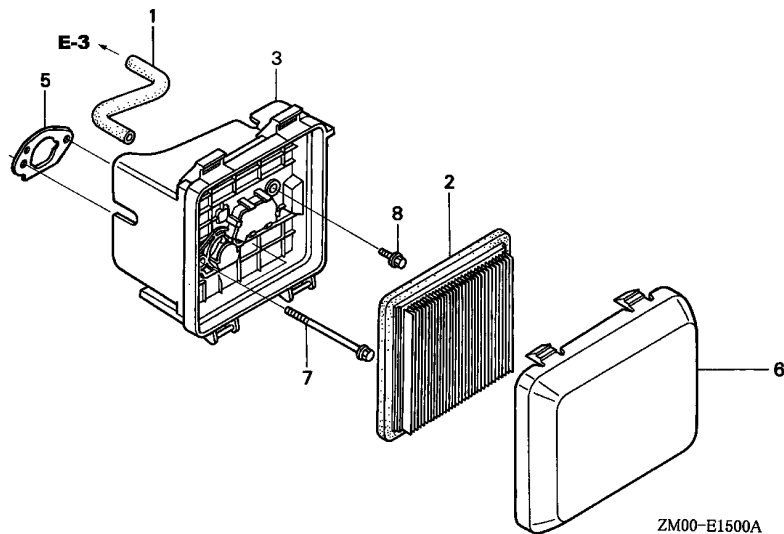


Ref. No.	Part No.	Description	Reqd. QTY						Serial No.	Parts catalogue code	
			GCV 135	GCV 135 E	GCV 160	GCV 160 A	GCV 135 A	GCV 160 E			
(7)	16100-ZM0-803	CARBURETOR ASSY. (BB62B D) ..	-	-	1	1	-	1	-----	A1AE,A1AF,A1AS,A1E7,A1E8,A1G7,A1W2,A1W7,A2E4,A2E7,A2E8,A2E9,A2G7,A2R,N1E7,N1J1,N1R,N1W1,N1W2,N1W7,N1W8,N1W9,N2E7,N2E8,N2E9,N3U	
			-	-	1	-	-	-	1676296	-----	A1A,A1C,A2A,A2C
			-	-	1	-	-	-	1733303	-----	A1E,A1J,A1P,A1U,A2E,A2U,A3E,A4E,N1,N1D,N1E1,N1E2,N1U,N1W,N2,N2D,N2E,N2E1,N2E2,N2E3,N2U,N3V
			-	-	-	1	-	1	-----	-----	A1A,A1C,A1E,A1G9,A1P,A2A,A2A9,A2C,A2G4,A2G9,A3A,A3E,A3E7,BHH,EHHB,E1A2,E1A4,E1G7,E2G7,E5A4,N1A,N1AF,N1C,N1D,N1E1,N1E2,N1T8,N1T9,N1U,N2U,N3V,N5A,N5AF,N5C
	16100-ZOL-781	CARBURETOR ASSY. (BB62F A) ..	-	-	1	1	-	1	-----	-----	A7E1,N7A1
	16100-ZOL-801	CARBURETOR ASSY. (BB62G A) ..	-	-	-	-	-	-	-----	-----	R1A,R3A,R3A1,STA1,S1A,S1A1,S1E1,S2E,S2E1,S3A
8	16155-ZM0-003	VALVE, FLOAT .....	1	1	1	1	1	1			
9	16166-ZM1-003	NOZZLE, MAIN .....	1	1	-	-	-	1			
	16166-ZM0-003	.....	-	-	1	1	-	1			
10	16211-ZL8-000	INSULATOR, CARBURETOR .....	1	1	1	1	-	1	-----	-----	A1A,A1AE,A1AF,A1AS,A1C,A1D,A1E,A1E1,A1E7,A1E8,A1G7,A1G9,A1J,A1P,A1U,A1W2,A1W7,A2A,A2A9,A2C,A2D,A2E,A2E1,A2E4,A2E7,A2E8,A2E9,A2G,A2G4,A2G7,A2G9,A2R,A2U,A3A,A3E,A3E7,A4E,BHH,EHHB,E1A2,E1A4,E1G7,E2G7,E5A4,N1,N1A,N1AF,N1C,N1D,N1E,N1E1,N1E2,N1E7,N1G,N1J1,N1R,N1S,N1S7,N1T8,N1T9,N1U,N1W,N1W1,N1W2,N1W7,N1W8,N1W9,N2,N2D,N2E,N2E1,N2E2,N2E3,N2E7,N2E8,N2E9,N2KA,N2U,N3U,N3V,N5A,N5AF,N5C
			-	-	-	-	1	-			
11	16212-ZL8-000	PACKING, INSULATOR .....	1	1	1	1	1	1			
12	16221-883-800	PACKING, CARBURETOR .....	2	2	2	2	2	2			
13	16228-ZL8-000	PACKING, CARBURETOR .....	1	1	1	1	1	1			
14	19650-ZM0-000	GUIDE COMP., AIR .....	1	1	1	1	1	1			
15	93500-05006-1H	SCREW, PAN, 5X6 .....	1	1	1	1	1	1			



Ref. No.	Part No.	Description	Reqd. QTY						Serial No.	Parts catalogue code
			GCV 135	GCV 135 E	GCV 160	GCV 160 A	GCV 135 A	GCV 160 E		
16	99101-124-0550	JET, MAIN, #55 (CARBURETOR NO.)	(1)	-	-	-	-	-	-----	A1D,A1E1,A1J,A1U,A2D,A2E1,A2U,A3E,A4E,N1E,N2D,N2E2,N2E3
			(1)	-	-	-	-	-	-----	BB64B C A1A,A1C,A1E,A2A,A2C,A2E,A2G,A2R,N1D,N1E1,N1G,N1S,N1U,N1W,N1W1,N2E,N2E1,N2U
			-	(1)	-	-	-	-	-----	A2G,N1G
	99101-124-0580	JET, MAIN, #58 (CARBURETOR NO.)	(1)	(1)	-	-	-	-	-----	A1D,A1E1,A1J,A1U,A2D,A2E1,A2U,A3E,A4E,N2D,N2E2,N2KA,N1E,N2E3
			(1)	-	-	-	-	-	-----	BB64B C A1A,A1C,A1E,A2A,A2C,A2E,A2G,A2R,N1D,N1E1,N1G,N1S,N1U,N1W,N1W1,N2E,N2E1,N2U
			-	(1)	-	-	-	-	-----	A2G,A2R,N1G,N1U
	99101-124-0600	JET, MAIN, #60 (CARBURETOR NO.)	1	-	-	-	-	-	-----	A1D,A1E1,A1J,A1U,A2D,A2E1,A2U,A3E,A4E,N1E,N2D,N2E2,N2E3
			1	-	-	-	-	-	-----	BB64B C A1A,A1C,A1E,A2A,A2C,A2E,A2G,A2R,N1D,N1E1,N1G,N1S,N1U,N1W,N1W1,N2E,N2E1,N2U
			-	1	-	-	-	-	-----	A2G,N1G
	99101-124-0580	JET, MAIN, #58 (CARBURETOR NO.)	(1)	(1)	-	-	-	-	-----	A1E7,A1E8,A1G9,A2E4,A2E7,A2E8,A2E9,A2G4,A2G7,A2G9,A7E1,N1S7,N1W7,N1W8,N2E7,N2E8,N2E9,N2KA,N7E1,N7E2,S2E,S2E1
			(1)	-	-	-	-	-	-----	BB64F A A1A,A1C,A1E,A2A,A2C,A2E,A2G,A2R,N1D,N1E1,N1G,N1S,N1U,N1W,N1W1,N2E,N2E1,N2U
			-	(1)	-	-	-	-	-----	A1E,A2E,A2R,N1E,N1S,N1U,N1W,N2E,N2E1,N2E3
			-	-	-	-	(1)	-	-----	
	99101-124-0600	JET, MAIN, #60 (CARBURETOR NO.)	(1)	(1)	-	-	-	-	-----	A1E7,A1E8,A1G9,A2E4,A2E7,A2E8,A2E9,A2G4,A2G7,A2G9,A7E1,N1S7,N1W7,N1W8,N2E7,N2E8,N2E9,N2KA,N7E1,N7E2,S2E,S2E1
			(1)	-	-	-	-	-	-----	BB64F A A1A,A1C,A1E,A2A,A2C,A2E,A2G,A2R,N1D,N1E1,N1G,N1S,N1U,N1W,N1W1,N2E,N2E1,N2U
			-	(1)	-	-	-	-	-----	A1E,A2E,A2R,N1E,N1S,N1U,N1W,N2E,N2E1,N2E3
			-	-	(1)	(1)	(1)	(1)	-----	
	99101-124-0620	JET, MAIN, #62 (CARBURETOR NO.)	1	1	-	-	-	-	-----	A1E7,A1E8,A1G9,A2E4,A2E7,A2E8,A2E9,A2G4,A2G7,A2G9,A7E1,N1S7,N1W7,N1W8,N2E7,N2E8,N2E9,N2KA,N7E1,N7E2,S2E,S2E1
			1	-	-	-	-	-	-----	BB64F A A1A,A1C,A1E,A2A,A2C,A2E,A2G,A2R,N1D,N1E1,N1G,N1S,N1U,N1W,N1W1,N2E,N2E1,N2U
			-	1	-	-	-	-	-----	A1E,A2E,A2R,N1E,N1S,N1U,N1W,N2E,N2E1,N2E3
			-	-	(1)	(1)	1	(1)	-----	
	99101-124-0650	JET, MAIN, #65	-	-	1	1	-	1	-----	
17	16024-ZE1-811	SCREW SET, DRAIN (CARBURETOR NO.) // // (CARBURETOR NO.)	1	-	1	-	-	-	-----	A1E7,A1E8,A1G7,A1W2,A1W7,A2E4,A2E7,A2E8,A2E9,A2G7,A2R,A7E1,N1E7,N1J1,N1R,N1S,N1S7,N1W1,N1W2,N1W7,N1W8,N1W9,N2E7,N2E8,N2E9,N3U,N7A1,N7E1,N7E2
			1	-	1	-	-	-	-----	BB64B C A1C,A2C
			1	-	-	-	-	-	-----	BB64A C A1D,A1E,A1E1,A1J,A1U,A2D,A2E,A2E1,A2G,A2U,A3E,A4E,N1D,N1E,N1E1,N1G,N1U,N1W,N2D,N2E,N2E1,N2E2,N2E3,N2U
			1	-	-	-	-	-	-----	BB64B C A1A,A2A
			-	1	-	1	1	1	-----	
			-	-	1	-	-	-	-----	BB62A D A1E,A1J,A1P,A1U,A2E,A2U,A3E,A4E,N1,N1D,N1E1,N1E2,N1U,N1W,N2,N2D,N2E,N2E1,N2E2,N2E3,N2U,N3V
			-	-	1	-	-	-	-----	BB62B D A1A,A2A
18	16210-ZOM-780	INSULATOR COMP., CARBURETOR	1	1	1	1	-	1	-----	A7E1,N7A1,N7E1,N7E2





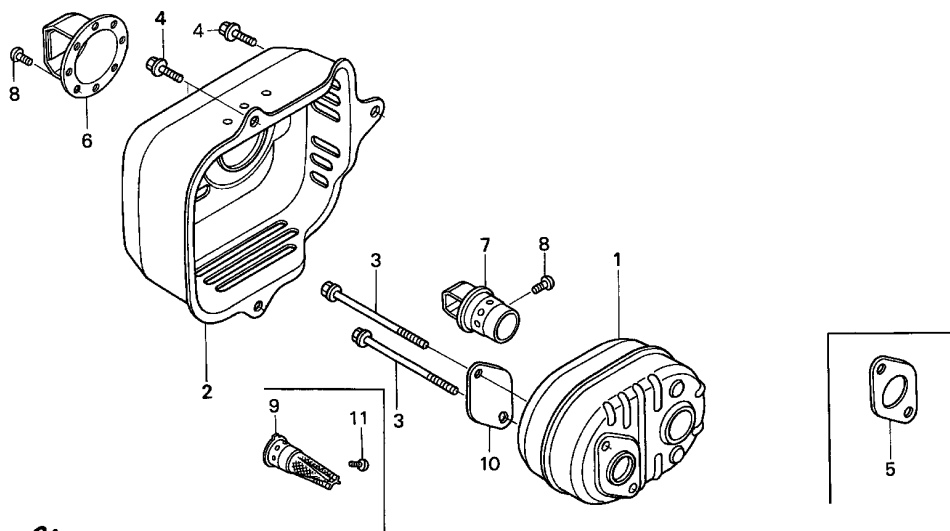
Ref. No.	L.O.N.	(Relative ref. Number) Description	F.R.T.
1	1111K5	TUBE, BREATHER .....	0.1
2	3121B8	ELEMENT, AIR CLEANER .....	0.1
3	3121A5	CASE, AIR CLEANER .....	0.2
5	3121D9	PACKING, AIR CLEANER .....	0.2

Ref. No.	Part No.	Description	Reqd. QTY						Serial No.	Parts catalogue code
			GCV 135 E	GCV 135 A	GCV 160	GCV 160 A	GCV 135 A	GCV 160 E		
1	15721-ZM1-000	TUBE, BREATHER .....	1	1	-	-	1	-		
	15721-ZM0-000	.....	-	-	1	1	-	-		
2	17211-ZL8-000	ELEMENT, AIR CLEANER .....	1	-	-	-	-	-	----- 1622339	
									A1A,A1C,A1D,A1E,A1E1,A1J,A1U,A2A,A2C,A2D,A2E,A2E1,A2E4,A2G,A2R,A2U,A3E,A4E,N1D,N1E,N1E1,N1G,N1S,N1U,N1W,N1W1,N2D,N2E,N2E1,N2E2,N2E3,N2U	
					1	-	-	-	----- 2240610	
									A1A,A1C,A1E,A1J,A1P,A1U,A1W2,A2A,A2C,A2E,A2E4,A2R,A2U,A3E,A4E,N1,N1D,N1E1,N1E2,N1U,N1W,N1W1,N1W2,N2,N2D,N2E,N2E1,N2E2,N2E3,N2U,N3V	
	17211-ZL8-003	.....	1	-	1	1	-	-	----- 1095051	
									A1A,A2A,A2R A1AE,A1AF,A1AS,A1E7,A1E8,A1G7,A1W7,A2E7,A2E8,A2E9,A2G7,A3A,A7E1,BHH,EHBB,E1A2,E1A4,E1G7,E2G7,E5A4,N1A,N1AF,N1C,N1E7,N1J1,N1R,N1S7,N1W7,N1W8,N1W9,N2E7,N2E8,N2E9,N3U,N5A,N5AF,N5C,N7A1,N7E1,N7E2,R1A,R3A,R3A1,STA1,S1A,S1A1,S3A	
			1	-	-	-	-	-	----- 1622340	
									A1A,A1C,A1D,A1E,A1E1,A1J,A1U,A2A,A2C,A2D,A2E,A2E1,A2E4,A2G,A2R,A2U,A3E,A4E,N1D,N1E,N1E1,N1G,N1S,N1U,N1W,N1W1,N2D,N2E,N2E1,N2E2,N2E3,N2U	
				1	-	-	-	1	1	----- 2240611
					1	-	-	-	A1A,A1C,A1E,A1J,A1P,A1U,A1W2,A2A,A2C,A2E,A2E4,A2R,A2U,A3E,A4E,N1,N1D,N1E1,N1E2,N1U,N1W,N1W1,N1W2,N2,N2D,N2E,N2E1,N2E2,N2E3,N2U,N3V	
									----- 1095052	
									A1C,A1E,A2C,A3E,N1E1,N1U,N2U,N3V	
3	17220-ZM0-000	CASE ASSY., AIR CLEANER .....	1	1	1	1	1	1	----- 1095052	
5	17228-ZM0-000	PACKING, AIR CLEANER .....	1	1	1	1	1	1	----- 1095052	
									A1A,A2A,A2R	

Ref. No.	Part No.	Description	Reqd. QTY						Serial No.	Parts catalogue code
			GCV 135	GCV 135 E	GCV 160	GCV 160 A	GCV 135 A	GCV 160 E		
6	17231-ZM0-000	COVER, AIR CLEANER .....	1	-	1	-	-	-	-	A1D,A1E1,A1J,A1U,A2D,A2E1,A2U,A4E,N1E,N2D,N2E2 A3E,N1E1,N2E3 1623839 A1A,A1C,A1E,A1E7,A1E8,A2A,A2C,A2E,A2E4,A2E7,A2E8,A2E9 A2G,A2G7,A2R,A7E1,N1D,N1G,N1S,N1S7,N1U,N1W,N1W1,N1W7 N1W8,N2E,N2E1,N2E7,N2E8,N2E9,N2U,N7E1,N7E2 2425659 A1A,A1C,A1E,A1E7,A1E8,A1G7,A1P,A1W2,A1W7,A2A,A2C,A2E A2E4,A2E7,A2E8,A2E9,A2G7,A2R,A3E,A7E1,N1,N1D,N1E1,N1E2 N1E7,N1R,N1U,N1W,N1W1,N1W2,N1W7,N1W8,N1W9,N2,N2E,N2E1 N2E3,N2E7,N2E8,N2E9,N2U,N3U,N3V,N7A1 A1C,A2C,A2G,N1G 1623840 1623932 A1A,A1C,A1E,A1E7,A1E8,A2A,A2C,A2E,A2E4,A2E7,A2E8,A2E9 A2G,A2G7,A2R,A7E1,N1D,N1G,N1S,N1S7,N1U,N1W,N1W1,N1W7 N1W8,N2E,N2E1,N2E7,N2E8,N2E9,N2U,N7E1,N7E2 2440414 N1J1 2425660 2440414 A1A,A1C,A1E,A1E7,A1E8,A1G7,A1P,A1W2,A1W7,A2A,A2C,A2E A2E4,A2E7,A2E8,A2E9,A2G7,A2R,A3E,A7E1,N1,N1D,N1E1,N1E2 N1E7,N1R,N1U,N1W,N1W1,N1W2,N1W7,N1W8,N1W9,N2,N2E,N2E1 N2E3,N2E7,N2E8,N2E9,N2U,N3U,N3V,N7A1 A1AS,A3A 1623933 A1A,A1C,A1E,A1E7,A1E8,A2A,A2C,A2E,A2E4,A2E7,A2E8,A2E9 A2G,A2G7,A2R,A7E1,N1D,N1G,N1S,N1S7,N1U,N1W,N1W1,N1W7 N1W8,N2E,N2E1,N2E7,N2E8,N2E9,N2U,N7E1,N7E2 2440415 A1A,A1C,A1E,A1E7,A1E8,A1G7,A1P,A1W2,A1W7,A2A,A2C,A2E A2E4,A2E7,A2E8,A2E9,A2G7,A2R,A3E,A7E1,N1,N1D,N1E1,N1E2 N1E7,N1J1,N1R,N1U,N1W,N1W1,N1W2,N1W7,N1W8,N1W9,N2,N2E N2E1,N2E3,N2E7,N2E8,N2E9,N2U,N3U,N3V,N7A1 A1A,A1AE,A1AF,A1E,A1E7,A1E8,A1G9,A1W7,A2A,A2E,A2E7 A2E8,A2E9,A2G4,A2G7,A2G9,A2R,A3E,A7E1,BHH,EHHB,E1A2 E1A4,E1G7,E2G7,E5A4,N1A,N1AF,N1C,N1E,N1E1,N1E7,N1R,N1S N1S7,N1U,N1W,N1W7,N1W8,N1W9,N2E,N2E1,N2E3,N2E7,N2E8 N2E9,N2KA,N2U,N3U,N3V,N5A,N5AF,N5C,N7A1,N7E1,N7E2,R1A R3A,R3A1,STA1,S1A,S1A1,S2E,S2E1,S3A
	17231-Z0L-000	.....	-	1	-	1	-	-	-	
	17231-ZM0-010	.....	1	-	-	-	-	-	-	1623840 1623932
	17231-Z0L-010	.....	-	-	-	1	-	-	-	2440414
	17231-ZM0-020	.....	1	-	-	-	-	-	-	1623933
	17231-Z0L-020	.....	-	1	-	1	-	-	-	2440415
7	90003-ZM0-000	BOLT, FLANGE, 6X86(CT200) ...	2	2	2	2	2	2	2	
8	95701-06014-08	BOLT, FLANGE, 6X14 .....	1	1	1	1	1	1	1	



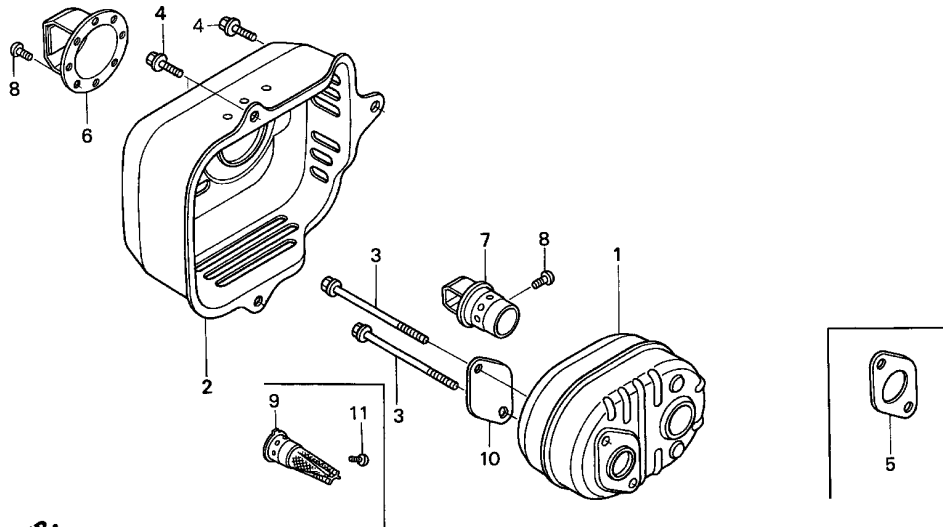




ZM00-E1600E

Ref. No.	L.O.N.	(Relative ref. Number) Description	F.R.T.
1	3131C5	MUFFLER, EXHAUST .....	0.2
2	3131D6	PROTECTOR, EXHAUST MUFFLER ...	0.1
5	3131B4	GASKET, EXHAUST MUFFLER .....	0.2
7	3131A8	DEFLECTOR, EXHAUST MUFFLER ...	0.1
9	3131A1	ARRESTER, SPARK .....	0.1

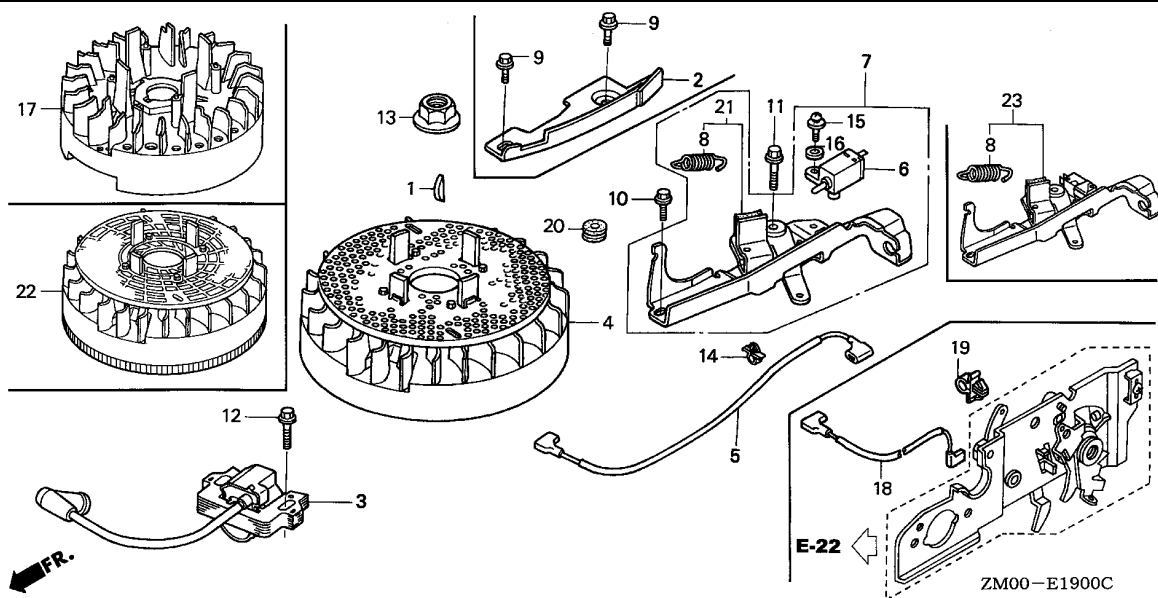
Ref. No.	Part No.	Description	Reqd. QTY						Serial No.	Parts catalogue code
			GCV 135	GCV 135 E	GCV 160	GCV 160 A	GCV 135 A	GCV 160 E		
1	18310-ZM0-000	MUFFLER COMP. ....	1	1	1	1	1	1		
2	18321-ZL8-A00	PROTECTOR, MUFFLER (BLACK) ..	1	1	1	1	1	1	-----	A1AE, A1P, A2G, BHH, N1G, N1S, N1S7, S3A
	18321-ZL8-000	PROTECTOR, MUFFLER .....	1	1	1	1	1	1	-----	A1A, A1AF, A1AS, A1C, A1D, A1E1, A1E7, A1E8, A1G7, A1G9, A1J, A1U, A1W2, A1W7, A2A, A2A9, A2C, A2D, A2E, A2E1, A2E4, A2E7, A2E8, A2E9, A2G4, A2G7, A2G9, A2R, A2U, A3A, A3E7, A4E, N1, N1A, N1AF, N1C, N1D, N1E, N1E2, N1E7, N1J1, N1T8, N1T9, N1U, N1W, N1W1, N1W2, N1W7, N1W8, N1W9, N2, N2D, N2E, N2E1, N2E2, N2E3, N2E7, N2E8, N2E9, N2KA, N2U, N3V, N5A, N5AF, N5C, S1A, S1A1, S1E1, S2E, S2E1, A1E, A3E, N1E1, N1R, N3U
	18320-ZOM-780	PROTECTOR COMP., MUFFLER ....	1	1	1	1	1	1	-----	A7E1, N7A1, N7E1, N7E2
	18321-ZOL-J00	PROTECTOR, MUFFLER .....	-	-	-	1	-	-	-----	EHHB, R3A, STA1
	18321-ZOL-000	.....	-	-	-	1	-	-	-----	A1E, A3E, E1A2, E1A4, E1G7, E2G7, E5A4, N1E1, N1R, N3U, R1A, R3A1
3	90004-ZL8-000	BOLT, FLANGE, 6X79(CT200) ...	2	2	2	2	2	2		
4	90013-883-000	BOLT, FLANGE, 6X12(CT200) ...	3	3	3	3	3	3		
5	18381-ZL8-305	GASKET, MUFFLER .....	(1)	(1)	(1)	(1)	(1)	(1)		
6	18348-ZL8-000	CAP, MUFFLER .....	1	1	1	1	-	1	-----	A1E1, A2E1, N1E1, N2E1, N2E3, N2E8, N2E9
7	18430-ZL8-000	DEFLECTOR COMP., MUFFLER ....	1	1	1	1	-	1	-----	A1E1, A2E1, N1E1, N2E1, N2E3, N2E8, N2E9
8	90055-ZE1-000	SCREW, TAPPING, 4X6 .....	4	4	4	4	-	4	-----	A1E1, A2E1, N1E1, N2E1, N2E3, N2E8, N2E9
9	18350-ZL8-000	ARRESTER COMP., SPARK .....	1	1	1	1	-	1	-----	A1E8, A2E8, N1T8, N1T9
			(1)	(1)	(1)	(1)	-	(1)	-----	A1A, A1AE, A1AF, A1AS, A1C, A2A, A2A9, A2C, A2R, A3A, BHH, N1A, N1AF, N1C, N2KA, N5A, N5AF, N5C, N7A1, R1A, R3A, R3A1, STA1, S1A, S1A1, S3A
10	18356-ZL8-000	PLATE, ARRESTER NUMBER .....	(1)	(1)	(1)	(1)	-	(1)	-----	A1A, A1AE, A1AF, A1AS, A1C, A2A, A2A9, A2C, A2R, A3A, BHH, N1A, N1AF, N1C, N2KA, N5A, N5AF, N5C, N7A1, R1A, R3A, R3A1, STA1, S1A, S1A1, S3A
			-	-	-	-	(1)	-		



ZM00-E1600E

Ref. No.	Part No.	Description	Reqd. QTY						Serial No.	Parts catalogue code
			GCV 135	GCV 135 E	GCV 160	GCV 160 A	GCV 135 A	GCV 160 E		
11	90055-ZE1-000	SCREW, TAPPING, 4X6 .....	1	1	1	1	-	1	-----	A1E8,A2E8,N1T8,N1T9 A1A,A1AE,A1AF,A1AS,A1C,A2A,A2A9,A2C,A2R,A3A,BHH,N1A N1AF,N1C,N2KA,N5A,N5AF,N5C,N7A1,R1A,R3A,R3A1,STA1,S1A S1A1,S3A
			(1)	(1)	(1)	(1)	-	(1)	-----	
			-	-	-	-	(1)	-		





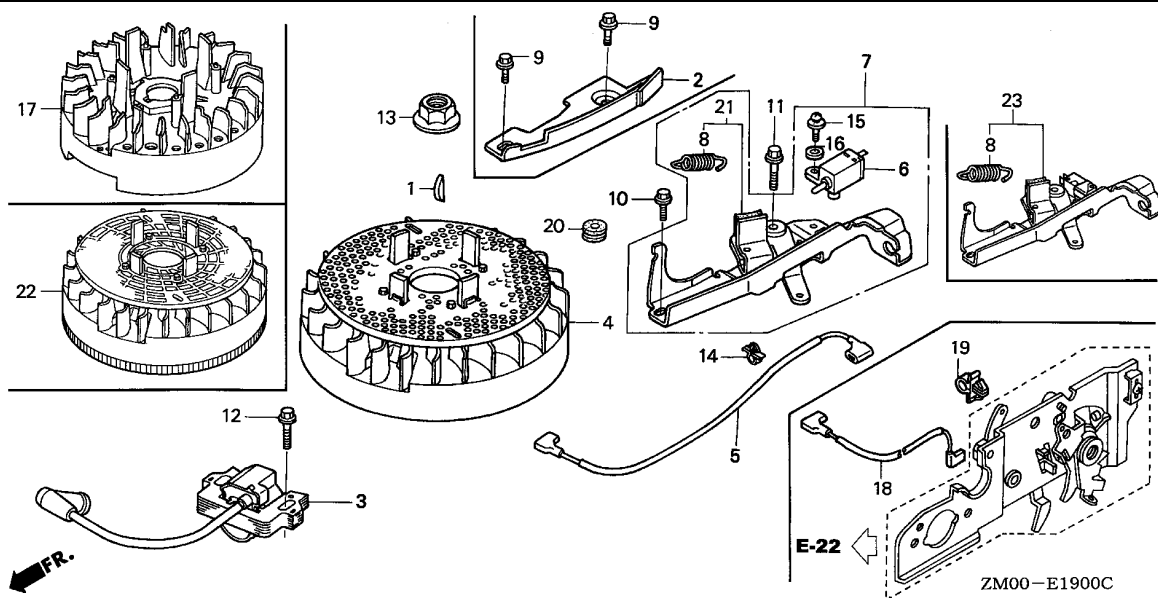
Ref. No.	L.O.N.	(Relative ref. Number) Description	F.R.T.
2	1121A7	PLATE, SIDE .....	0.3
3	6141A5	COIL, IGNITION .....	0.2
4		(17,22)	
5	2161B5	FLYWHEEL .....	0.3
6	6111B3	CORD, STOP SWITCH .....	0.1
7	6151D9	SWITCH, ENGINE STOP .....	0.1
8	6141A0	BRAKE ASSEMBLY, ENGINE STOP ..	0.3
	4151E0	SPRING, BRAKE LEVER .....	0.2



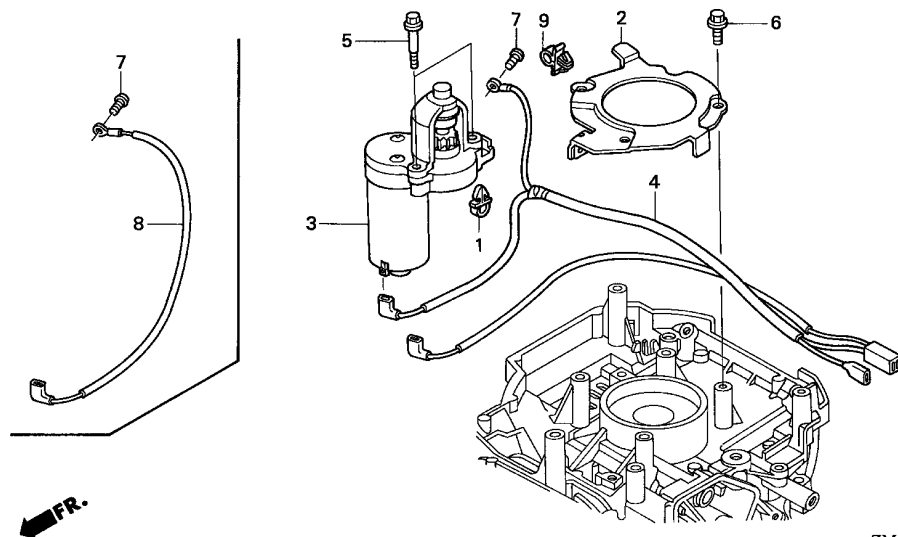
Ref. No.	Part No.	Description	Reqd. QTY						Serial No.	Parts catalogue code
			GCV 135	GCV 135 E	GCV 160	GCV 160 A	GCV 135 A	GCV 160 E		
1	13331-357-000	KEY, SPECIAL WOODRUFF, 25X18	1	1	1	1	1	1		
2	19612-ZM0-000	PLATE, SIDE .....	1	-	-	-	-	-	N2D	
			1	-	-	-	-	-	1623727	
			-	-	1	-	-	-	2340423	
			-	-	-	1	-	-	1360691	
	19612-ZM0-J20	.....	1	1	1	1	-	1	BHH,EHHB,N1AF,N1E,N1E1,N1E2,N1E7,N1G,N1J1,N1R,N1W,N1W1,N1W2,N1W7,N1W8,N1W9,N2E,N2E1,N2E2,N2E3,N2E7,N2E8,N2E9,N5AF,N7A1,N7E1,N7E2	
			1	-	-	-	-	-	1623728	
			-	1	-	-	-	1	A2R,N1D,N1U,N2U	
			-	-	1	-	-	-	2340424	
			-	-	-	1	-	-	A2R,N1D,N1T8,N1T9,N1U,N2KA	
			-	-	-	1	-	-	A2R,N1D,N1U,N2U,N3U,N3V	
			-	-	-	1	-	-	N3U	
			-	-	-	1	-	-	1360692	
			-	-	-	-	-	-	A2R,N1A,N1C,N1U,N2U,N3V,N5A,N5C	
3	30500-ZL8-004	COIL ASSY., IGNITION .....	1	1	1	-	-	1		
	30500-Z0J-003	.....	1	-	-	-	-	-		
4	31105-ZM1-000	FLYWHEEL ASSY. ....	1	1	-	-	-	-	A1A,A1C,A1D,A1E,A1E1,A1E7,A1E8,A1G9,A1J,A1U,A2A,A2C,A2D,A2E,A2E1,A2E4,A2E7,A2E8,A2E9,A2G4,A2G7,A2G9,A2U,A3E,A4E,A7E1,N1D,N1S,N1S7,N1U,N2D,N2U,N7E1,S2E,S2E1	
			1	1	1	-	-	1	A1G7,A1P,A1W7,A2G,N1J1,N1R,N7A1	
	31105-ZM0-000	.....	-	-	1	-	-	1	A1A,A1C,A1E,A1E7,A1E8,A1G9,A1J,A1U,A1W2,A2A,A2A9,A2C,A2E,A2E4,A2E7,A2E8,A2E9,A2G4,A2G7,A2G9,A2U,A3E,A3E7,A4E,A7E1,N1,N1D,N1U,N2,N2D,N2U,N3U,N3V,S1E1,S2E,S2E1	
			1	1	1	-	-	1	N1G,N1T8,N1T9,N1W2,N1W9	
	31105-ZL8-000	.....	-	-	1	-	-	1	N1W,N1W1,N1W7,N1W8	
			1	1	-	-	-	-	N1W,N1W1,N1W7,N1W8,N7E2	
	31105-ZM1-V20	.....	-	-	-	-	-	-	BHH,N1W7,N1W8,N1W9	
	31105-Z0J-000	.....	-	-	-	1	-	-		
	31105-Z0L-000	.....	-	-	-	1	-	-	A1A,A1AE,A1AF,A1AS,A1C,A1E7,A1E8,A1W7,A2A,A2C,A2E7,A2E8,A2E9,A2G7,A3A,A7E1,N1U,N2U,N3V,N7A1,S1A,S1A1,S3A	

Ref. No.	Part No.	Description	Reqd. QTY						Serial No.	Parts catalogue code
			GCV 135	GCV 135 E	GCV 160	GCV 160 A	GCV 135 A	GCV 160 E		
(4)	31105-ZOL-010	FLYWHEEL ASSY. ....	-	-	-	1	-	-	-----	A1E,A3E,N1R,N3U,STA1
5	32195-ZM0-000	CORD, STOP SWITCH .....	1	1	1	1	-	1	-----	A1A,A1D,A1E1,A1G7,A1G9,A1J,A1P,A1U,A1W2,A2A9,A2D,A2E A2E1,A2E4,A2G,A2G4,A2G9,A2U,A3E7,A4E,N1,N1S,N1S7,N2 A1C,A1E,A1E7,A1E8,A1W7,A2A,A2C,A2E7,A2E8,A2E9,A2G7,A3E A7E1 A2R,N1A,N1C,N5A,N5C,STA1,S1A,S1A1,S3A S1E1,S2E,S2E1
	32195-ZM0-800	.....	1	-	1	1	-	-	-----	A1AE,A1AF,A1AS,A1C,A1E,A1E7,A1E8,A1W7,A2C,A2E7,A2E8 A2E9,A2G7,A3A,A3E,A7E1
	32195-ZOL-000	.....	-	-	-	1	-	-	-----	E1G7,E2G7,R1A,R3A,R3A1
	32195-ZOL-820	.....	-	-	-	1	-	-	-----	
6	35120-ZM0-003	SWITCH ASSY., ENGINE STOP (N.C)	1	1	1	1	-	1	-----	A1A,A1AE,A1AF,A1AS,A1C,A1D,A1E,A1E1,A1E7,A1E8,A1G7 A1G9,A1J,A1P,A1U,A1W2,A1W7,A2A,A2A9,A2C,A2D,A2E,A2E1 A2E4,A2E7,A2E8,A2E9,A2G,A2G4,A2G7,A2G9,A2U,A3A,A3E A3E7,A4E,A7E1,N1,N1S,N1S7,N2,STA1,S1A,S1A1,S1E1,S2E S2E1,S3A
7	75100-ZM0-000	BRAKE ASSY. ....	1	1	1	1	-	1	-----	A1A,A1AE,A1AF,A1AS,A1C,A1D,A1E,A1E1,A1E7,A1E8,A1G7 A1G9,A1J,A1P,A1U,A1W2,A1W7,A2A,A2A9,A2C,A2D,A2E,A2E1 A2E4,A2E7,A2E8,A2E9,A2G,A2G4,A2G7,A2G9,A2U,A3A,A3E A3E7,A4E,A7E1,N1,N1S,N1S7,N2
8	75113-ZM0-000	SPRING, BRAKE LEVER .....	1	1	1	1	-	1	-----	A1A,A1AE,A1AF,A1AS,A1C,A1D,A1E,A1E1,A1E7,A1E8,A1G7 A1G9,A1J,A1P,A1U,A1W2,A1W7,A2A,A2A9,A2C,A2D,A2E,A2E1 A2E4,A2E7,A2E8,A2E9,A2G,A2G4,A2G7,A2G9,A2U,A3A,A3E A3E7,A4E,A7E1,E1A2,E1G7,E2G7,N1,N1S,N1S7,N2,R1A,R3A R3A1,STA1,S1A,S1A1,S1E1,S2E,S2E1,S3A
9	90013-883-000	BOLT, FLANGE, 6X12(CT200) ...	2	2	2	2	-	2	-----	A2R,BHH,EHNB,N1A,N1AF,N1C,N1D,N1E,N1E1,N1E2,N1E7,N1G N1J1,N1R,N1T8,N1T9,N1U,N1W,N1W1,N1W2,N1W7,N1W8,N1W9 N2D,N2E,N2E1,N2E2,N2E3,N2E7,N2E8,N2E9,N2KA,N2U,N3U,N3V N5A,N5AF,N5C,N7A1,N7E1,N7E2
10	90014-952-000	BOLT, FLANGE, 6X14(CT200) ...	-	-	-	-	2	-	-----	A1A,A1AE,A1AF,A1AS,A1C,A1D,A1E,A1E1,A1E7,A1E8,A1G7 A1G9,A1J,A1P,A1U,A1W2,A1W7,A2A,A2A9,A2C,A2D,A2E,A2E1 A2E4,A2E7,A2E8,A2E9,A2G,A2G4,A2G7,A2G9,A2U,A3A,A3E A3E7,A4E,A7E1,E1A2,E1G7,E2G7,N1,N1S,N1S7,N2,R1A,R3A R3A1,STA1,S1A,S1A1,S1E1,S2E,S2E1,S3A
11	90002-ZOL-820	BOLT, FLANGE, 6X23(CT200) ...	-	-	-	1	-	-	-----	E1A2,E1G7,E2G7,R1A,R3A,R3A1
	90018-ZE1-000	.....	1	1	1	1	-	1	-----	A1A,A1AE,A1AF,A1AS,A1C,A1D,A1E,A1E1,A1E7,A1E8,A1G7 A1G9,A1J,A1P,A1U,A1W2,A1W7,A2A,A2A9,A2C,A2D,A2E,A2E1 A2E4,A2E7,A2E8,A2E9,A2G,A2G4,A2G7,A2G9,A2U,A3A,A3E A3E7,A4E,A7E1,N1,N1S,N1S7,N2,STA1,S1A,S1A1,S1E1,S2E S2E1,S3A
12	90022-888-010	BOLT, FLANGE, 6X20(CT200) ...	1	1	1	1	1	1		
13	90201-878-003	NUT, SPECIAL, 14MM .....	1	1	1	1	1	1		
14	90681-959-003	CLIP A, CABLE (NIFCO) .....	1	1	1	1	-	1	-----	A1A,A1AE,A1AF,A1AS,A1C,A1D,A1E,A1E1,A1E7,A1E8,A1G7 A1G9,A1J,A1P,A1U,A1W2,A1W7,A2A,A2A9,A2C,A2D,A2E,A2E1 A2E4,A2E7,A2E8,A2E9,A2G,A2G4,A2G7,A2G9,A2U,A3A,A3E A3E7,A4E,A7E1,E1G7,E2G7,N1,N1A,N1C,N1S,N1S7,N2,N5A,N5C R1A,R3A,R3A1,STA1,S1A,S1A1,S1E1,S2E,S2E1,S3A A2R
	51125-ZOL-003	HOLDER, WIRE (FASTEX) .....	1	-	1	1	-	-	-----	A1E,A3E
15	93892-04012-00	SCREW-WASHER, 4X12 .....	1	1	1	1	-	1	-----	A1A,A1AE,A1AF,A1AS,A1C,A1D,A1E,A1E1,A1E7,A1E8,A1G7 A1G9,A1J,A1P,A1U,A1W2,A1W7,A2A,A2A9,A2C,A2D,A2E,A2E1 A2E4,A2E7,A2E8,A2E9,A2G,A2G4,A2G7,A2G9,A2U,A3A,A3E A3E7,A4E,A7E1,N1,N1S,N1S7,N2,STA1,S1A,S1A1,S1E1,S2E S2E1,S3A





Ref. No.	Part No.	Description	Reqd. QTY						Serial No.	Parts catalogue code
			GCV 135 E	GCV 135 A	GCV 160	GCV 160 A	GCV 135 A	GCV 160 E		
16	94103-04000	WASHER, PLAIN, 4MM	1	1	1	1	-	1	A1A,A1AE,A1AF,A1AS,A1C,A1D,A1E,A1E1,A1E7,A1E8,A1G7,A1G9,A1J,A1P,A1U,A1W2,A1W7,A2A,A2A9,A2C,A2D,A2E,A2E1,A2E4,A2E7,A2E8,A2E9,A2G,A2G4,A2G7,A2G9,A2U,A3A,A3E,A3E7,A4E,A7E1,N1,N1S,N1S7,N2,STA1,S1A,S1A1,S1E1,S2E,S2E1,S3A	
17	31110-ZL9-003	FLYWHEEL COMP.	1	1	-	-	-	-	A2R,N1E,N1E1,N2E,N2E1,N2E2,N2E3,N2E7,N2E8,N2E9,N2KA	
	31110-ZL8-004		-	-	-	-	-	1	A2R,N1E1,N1E2,N1E7,N2E,N2E1,N2E2,N2E3,N2E7,N2E8,N2E9	
	31110-Z0J-003		-	-	1	-	-	-	A2R,N1A,N1AF,N1C,N1E7,N2E7,N2E8,N2E9,N5A,N5AF,N5C	
	31110-Z0J-013		-	-	1	-	-	-	N1E1	
	31110-Z0L-831		-	-	1	-	-	-	E1A4,E5A4	
18	32195-ZM0-800	CORD, STOP SWITCH	1	1	1	1	-	1	BHH,N1D,N1E,N1E1,N1E2,N1E7,N1G,N1J1,N1R,N1U,N1W,N1W1,N1W2,N1W7,N1W8,N1W9,N2D,N2E,N2E1,N2E2,N2E3,N2E7,N2E8,N2E9,N2U,N3U,N3V,N7A1,N7E1,N7E2	
	32195-Z0L-800		-	1	-	-	-	1	A2R,N1T8,N1T9,N2KA	
19	90681-959-003	CLIP A, CABLE (NIFCO)	1	1	1	1	-	1	EHHB	
	51125-Z0L-003	HOLDER, WIRE (FASTEX)	-	-	-	1	-	-	BHH,N1D,N1E,N1E1,N1E2,N1E7,N1G,N1J1,N1R,N1U,N1W,N1W1,N1W2,N1W7,N1W8,N1W9,N2D,N2E,N2E1,N2E2,N2E3,N2E7,N2E8,N2E9,N2U,N3U,N3V,N7A1,N7E1,N7E2	
	11344-MB0-000	GROMMET A, RR. COVER	-	1	-	1	-	1	A2R,N1T8,N1T9,N2KA	
	75110-Z0L-800	BRAKE SUB ASSY.	-	1	-	1	-	1	EHHB	
20	11344-MB0-000	GROMMET A, RR. COVER	-	1	-	1	-	1	STA1,S1A,S1A1,S1E1,S2E,S2E1,S3A	
21	75110-Z0L-800	BRAKE SUB ASSY.	-	1	-	1	-	1	STA1,S1A,S1A1,S1E1,S2E,S2E1,S3A	
22	31105-Z0L-820	FLYWHEEL ASSY.	-	-	-	1	-	-	E1A2,E1G7,E2G7,R1A,R3A,R3A1	
	31105-Z0L-830		-	-	-	1	-	-	EHHB	
23	75110-Z0L-820	BRAKE SUB ASSY.	-	-	-	1	-	-	E1A2,E1G7,E2G7,R1A,R3A,R3A1	



ZM00-E2100A

Ref. No.	L.O.N.	(Relative ref. Number) Description	F.R.T.
3	6121D5	MOTOR, STARTER .....	0.2
4	6121D4	CORD, TERMINAL EARTH .....	0.3

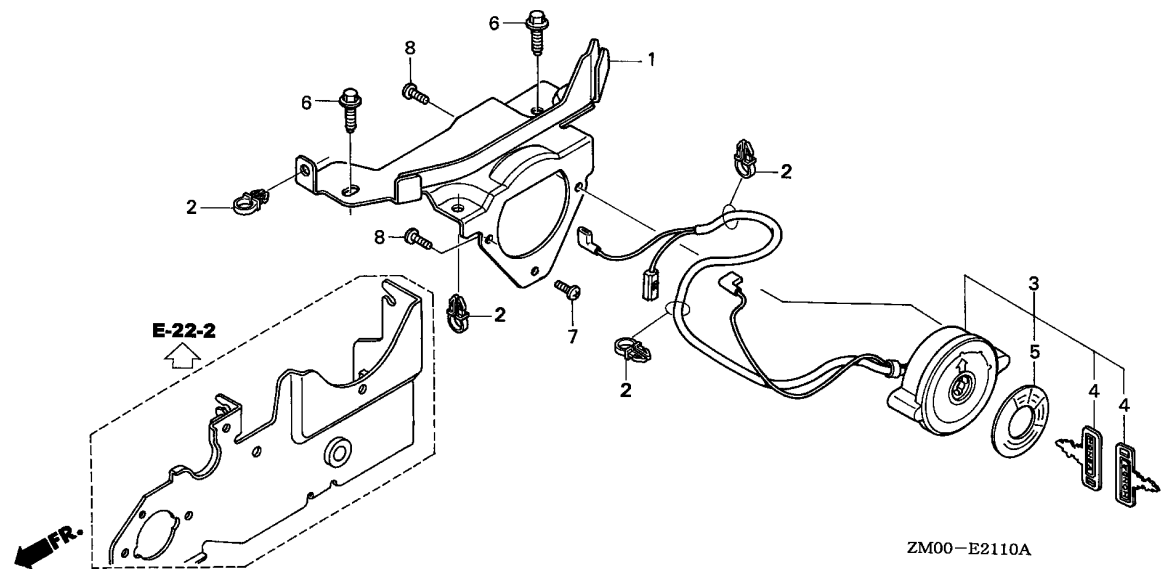
Ref. No.	Part No.	Description	Reqd. QTY						Serial No.	Parts catalogue code
			GCV 135	GCV 135 E	GCV 160	GCV 160 A	GCV 135 A	GCV 160 E		
1	22534-ZOL-820	HOLDER, WIRE .....	-	-	-	1	-	-	-----	EHHB,E1A2,E1G7,E2G7,R1A,R3A,R3A1
2	30549-ZOL-820	CLAMPER, CORD .....	-	-	-	1	-	-	-----	EHHB,E1A2,E1A4,E1G7,E2G7,E5A4,R1A,R3A,R3A1
3	31200-ZOL-821	MOTOR ASSY., STARTER .....	-	-	-	1	-	-	-----	EHHB,E1A2,E1A4,E1G7,E2G7,E5A4,R1A,R3A,R3A1
4	32222-ZOL-820	CORD, TERMINAL EARTH .....	-	-	-	1	-	-	-----	E1A2,E1G7,E2G7,R1A,R3A,R3A1
5	90001-ZOL-820	BOLT, SPECIAL, 6MM .....	-	-	-	2	-	-	-----	EHHB,E1A2,E1A4,E1G7,E2G7,E5A4,R1A,R3A,R3A1
6	90013-883-000	BOLT, FLANGE, 6X12(CT200) ...	-	-	-	2	-	-	-----	E1G7,E2G7,R1A,R3A,R3A1
			-	-	-	3	-	-	-----	EHHB,E1A2,E1A4,E5A4
7	93500-05008-0A	SCREW, PAN, 5X8 .....	-	-	-	1	-	-	-----	EHHB,E1A2,E1A4,E1G7,E2G7,E5A4,R1A,R3A,R3A1
8	32222-ZOL-830	CORD, TERMINAL EARTH .....	-	-	-	1	-	-	-----	EHHB,E1A4,E5A4
9	51125-ZOL-003	HOLDER, WIRE (FASTEX) .....	-	-	-	1	-	-	-----	E1A2
	90681-959-003	CLIP A, CABLE (NIFCO) .....	-	-	-	1	-	-	-----	E1A2



# E-21-10

# COMBINATION SWITCH

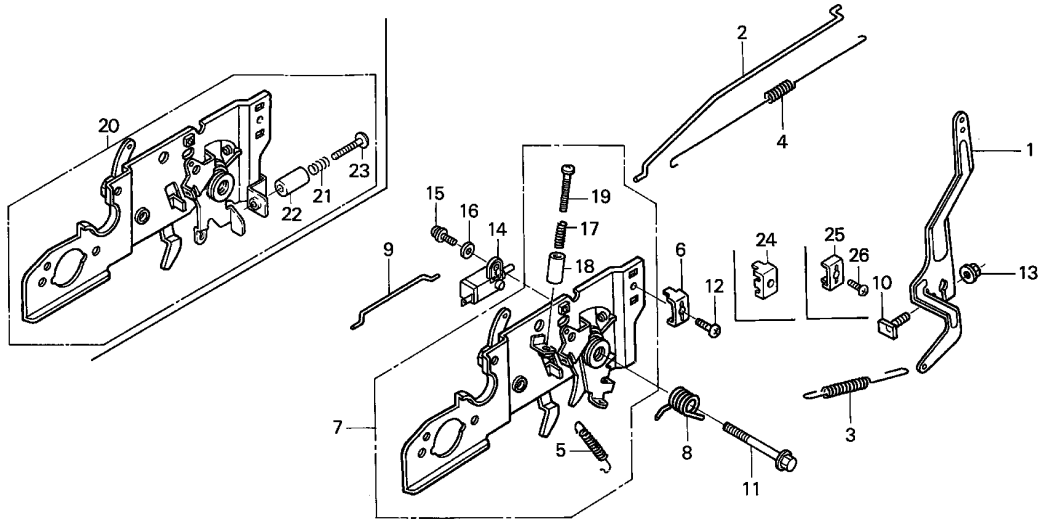
**F 4**



Ref. No.	L.O.N.	(Relative ref. Number) Description	F.R.T.
1	1121A7	PLATE, SIDE .....	0.3
3	6151E1	SWITCH, COMBINATION .....	0.4

Ref. No.	Part No.	Description	Reqd. QTY						Serial No.	Parts catalogue code
			GCV 135	GCV 135 E	GCV 160	GCV 160 A	GCV 135 A	GCV 160 E		
1	19612-ZOL-830	PLATE, SIDE .....	-	-	-	1	-	-	-----	E1A4,E5A4
2	22534-ZOL-820	HOLDER, WIRE .....	-	-	-	4	-	-	-----	E1A4,E5A4
3	35100-ZOL-831	SWITCH ASSY., COMBINATION .....	-	-	-	1	-	-	-----	E1A4,E5A4
4	35111-ZOL-830	KEY, COMBINATION SWITCH .....	-	-	-	2	-	-	-----	E1A4,E5A4
5	87501-ZOL-830	MARK, ENGINE SWITCH .....	-	-	-	1	-	-	-----	E1A4,E5A4
6	90013-883-000	BOLT, FLANGE, 6X12(CT200) ...	-	-	-	2	-	-	-----	E1A4,E5A4
7	93500-05010-0A	SCREW, PAN, 5X10 .....	-	-	-	1	-	-	-----	E1A4,E5A4
8	93500-05012-0A	SCREW, PAN, 5X12 .....	-	-	-	2	-	-	-----	E1A4,E5A4

**2**



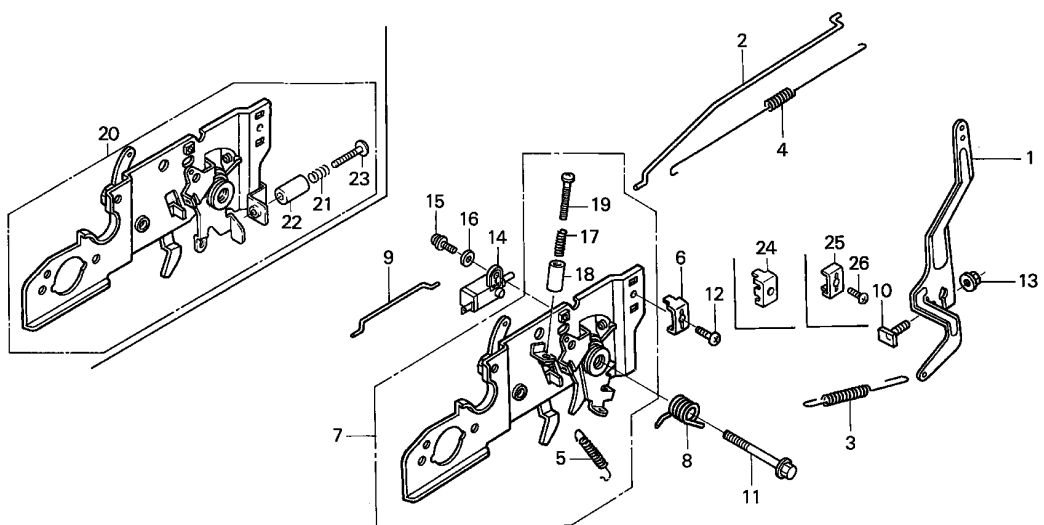
ZM00-E2200E

Ref. No.	L.O.N.	(Relative ref. Number) Description	F.R.T.
1	1161A0	ARM, GOVERNOR .....	0.2
2	1161B1	ROD, GOVERNOR .....	0.2
3	1161C5	SPRING, GOVERNOR .....	0.1
4	1161C2	SPRING, THROTTLE RETURN .....	0.2
5	1161C0	SPRING, LEVER .....	0.1
7		(20)	
	1161A2	BASE, CONTROL .....	0.3
8	1161B8	SPRING, CONTROL LEVER RETURN ..	0.3
9	8101R5	ROD, GOVERNOR CHOKE CONTROL ..	0.3
14	6151D9	SWITCH, ENGINE STOP .....	0.1

Ref. No.	Part No.	Description	Reqd. QTY						Serial No.	Parts catalogue code
			GCV 135	GCV 135 E	GCV 160	GCV 160 A	GCV 135 A	GCV 160 E		
1	16551-ZM0-000	ARM, GOVERNOR .....	1	-	1	-	-	-	-----	A1D,A1E1,A1J,A1U,A2D,A2E1,A2U,A4E,N1E,N2D,N2E2 A3E,N2E3 ----- 1623459 A1A,A1C,A1E,A2A,A2C,A2E,A2E4,A2G,N1D,N1E1,N1G,N1S,N1U N1W,N1W1,N2E,N2E1,N2U ----- A2G,N1G ----- 2299007 A1A,A1C,A1E,A1P,A1W2,A2A,A2C,A2E,A2E4,A3E,N1,N1D,N1E1 N1E2,N1U,N1W,N1W1,N1W2,N2,N2E,N2E1,N2E3,N2U,N3V A1E7,A1E8,A1G7,A1W7,A2E7,A2E8,A2E9,A2G7,A7E1,N1E7,N1J1 N1R,N1S7,N1W7,N1W8,N1W9,N2E7,N2E8,N2E9,N3U,N7A1,N7E1 N7E2 ----- 1623460 A1A,A1C,A1E,A2A,A2C,A2E,A2E4,A2G,N1D,N1E1,N1G,N1S,N1U N1W,N1W1,N2E,N2E1,N2U ----- A1A,A1AS,A1C,A1E,A1G9,A1P,A2A,A2A9,A2C,A2E,A2G4,A2G9 A3E,A3E7,BHH,EHBB,E1G7,E2G7,N1D,N1E,N1E1,N1E2,N1S,N1T8 N1T9,N1U,N1W,N2E,N2E1,N2E3,N2KA,N2U,N3V,S1E1,S2E,S2E1 ----- 2299008 A1A,A1C,A1E,A1P,A1W2,A2A,A2C,A2E,A2E4,A3E,N1,N1D,N1E1 N1E2,N1U,N1W,N1W1,N1W2,N2,N2E,N2E1,N2E3,N2U,N3V ----- A1A,A1C,A1D,A1E,A1E1,A1E7,A1E8,A1G9,A1J,A1U,A2A,A2C A2D,A2E,A2E1,A2E4,A2E7,A2E8,A2E9,A2G,A2G4,A2G7,A2G9 A2U,A3E,A4E,A7E1,N1D,N1E,N1E1,N1G,N1S,N1S7,N1U,N1W N1W1,N1W7,N1W8,N2D,N2E,N2E1,N2E2,N2E3,N2E7,N2E8,N2E9 N2KA,N2U,N7E1,N7E2 ----- S2E,S2E1 ----- 16555-ZM0-800 ..... - 1 - - - - 16555-ZM0-000 ..... - - 1 1 - 1 ----- A1A,A1AS,A1C,A1E,A1E7,A1E8,A1G7,A1G9,A1J,A1P,A1U,A1W2 A1W7,A2A,A2A9,A2C,A2E,A2E4,A2E7,A2E8,A2E9,A2G4,A2G7 A2G9,A2U,A3E,A3E7,A4E,A7E1,BHH,EHBB,E1G7,E2G7,N1,N1D N1E1,N1E2,N1E7,N1J1,N1R,N1T8,N1T9,N1U,N1W,N1W1,N1W2 N1W7,N1W8,N1W9,N2,N2D,N2E,N2E1,N2E2,N2E3,N2E7,N2E8 N2E9,N2U,N3U,N3V,N7A1
	16551-ZM0-010	.....	1	1	1	1	-	1	-----	
2	16555-ZM1-000	ROD, GOVERNOR .....	1	1	-	-	-	-	-----	
	16555-ZM0-800	.....	-	1	-	-	-	-	-----	
	16555-ZM0-000	.....	-	-	1	1	-	1	-----	







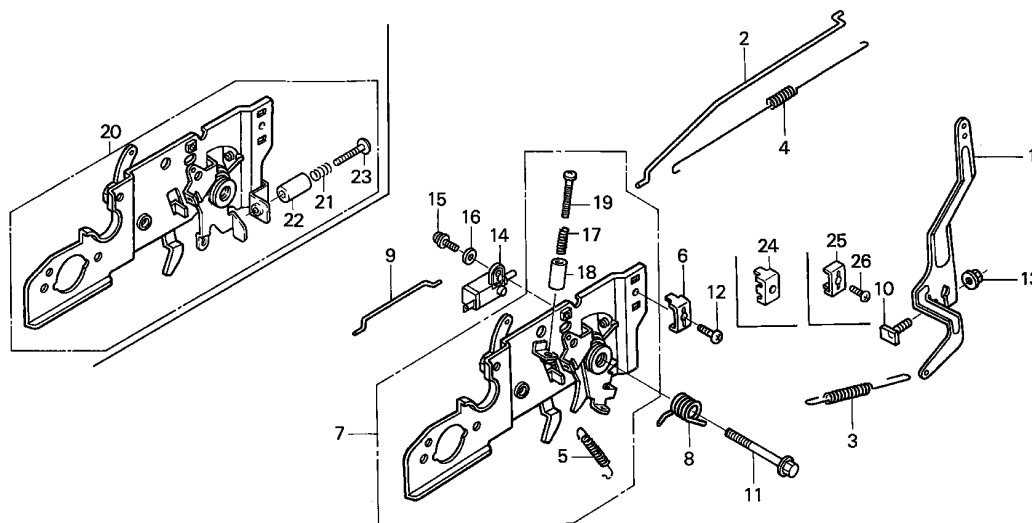
ZM00-E2200E

Ref. No.	Part No.	Description	Reqd. QTY						Serial No.	Parts catalogue code
			GCV 135 E	GCV 135	GCV 160	GCV 160 A	GCV 135 A	GCV 160 E		
(2)	16555-Z0L-800	ROD, GOVERNOR .....	-	-	-	-	-	1	-----	S1E1, S2E, S2E1
3	16561-ZM1-V30	SPRING, GOVERNOR .....	1	1	-	-	-	-	-----	A7E1, N7E1, N7E2
	16561-ZM1-000	.....	1	1	-	-	-	-	-----	A1A, A1C, A1D, A1E, A1E1, A1J, A1U, A2A, A2C, A2D, A2E, A2E1, A2E4, A2U, A3E, A4E, N1D, N1E, N1E1, N1S, N1U, N1W, N1W1, N2D, N2E, N2E1, N2E2, N2E3, N2U
	16561-ZM1-870	.....	1	-	-	-	-	-	1217482	A2G, N1G
	16561-Z0M-870	.....	1	-	-	-	-	-	-----	A1E7, A1E8, A2E7, A2E8, A2E9, A2G7, N1S7, N1W7, N1W8, N2E7, N2E8, N2E9
	16561-Z0M-870	.....	-	1	-	-	-	-	-----	A1E7, A1E8, A1G9, A2E7, A2E8, A2E9, A2G4, A2G7, A2G9, N1S7, N1W7, N1W8, N2E7, N2E8, N2E9, N2KA, S2E, S2E1
	16561-ZM0-000	.....	-	-	1	1	-	1	-----	EHHB, N1D, N1E2, N1J1
	16561-ZM0-000	.....	-	-	1	-	-	1	-----	A1A, A1C, A1E, A1J, A1P, A1U, A1W2, A2A, A2C, A2E, A2E4, A2U, A3E, A4E, N1, N1E1, N1R, N1U, N1W, N1W1, N1W2, N2, N2D, N2E, N2E1, N2E2, N2E3, N2U, N3U, N3V
	16561-ZM1-V00	.....	1	-	-	-	-	-	1217483	A2G, N1G
	16561-ZM0-870	.....	-	1	-	-	-	-	-----	A2G, N1G
	16561-ZM0-870	.....	-	-	1	1	-	-	-----	A1E7, A1E8, A1G7, A1W7, A2E7, A2E8, A2E9, A2G7, E1G7, E2G7, N1E7, N1W7, N1W8, N1W9, N2E7, N2E8, N2E9
	16561-Z0L-000	.....	-	-	-	-	-	1	-----	N1T8, N1T9
	16561-Z0L-000	.....	-	-	-	1	-	-	-----	A1A, A1AS, A1C, A1E, A2A, A2C, A3E, BHH, N1E1, N1R, N1U, N2U, N3U, N3V, S3A
	16561-ZM0-V30	.....	-	-	1	1	-	1	-----	A7E1, N7A1
	16561-Z1L-870	.....	-	-	-	-	-	1	-----	A1E7, A1E8, A1G7, A1G9, A1W7, A2A9, A2E7, A2E8, A2E9, A2G4, A2G7, A2G9, A3E7, N1E7, N1W7, N1W8, N1W9, N2E7, N2E8, N2E9, S1E1, S2E, S2E1

2

Ref. No.	Part No.	Description	Reqd. QTY						Serial No.	Parts catalogue code
			GCV 135	GCV 135 E	GCV 160	GCV 160 A	GCV 135 A	GCV 160 E		
4	16562-ZM1-000	SPRING, THROTTLE RETURN .....	1	1	-	-	-	-	A1A,A1C,A1D,A1E,A1E1,A1E7,A1E8,A1G9,A1J,A1U,A2A,A2C,A2D,A2E,A2E1,A2E4,A2E7,A2E8,A2E9,A2G,A2G4,A2G7,A2G9,A2U,A3E,A4E,A7E1,N1D,N1E,N1E1,N1G,N1S,N1S7,N1U,N1W,N1W1,N1W7,N1W8,N2D,N2E,N2E1,N2E2,N2E3,N2E7,N2E8,N2E9,N2KA,N2U,N7E1,N7E2,S2E,S2E1	
	16562-ZM0-000	.....	-	-	1	1	-	1	A1A,A1AS,A1C,A1E,A1E7,A1E8,A1G7,A1G9,A1J,A1P,A1U,A1W2,A1W7,A2A,A2A9,A2C,A2E,A2E4,A2E7,A2E8,A2E9,A2G4,A2G7,A2G9,A2U,A3E,A3E7,A4E,A7E1,BHH,EHHB,E1G7,E2G7,N1,N1D,N1E1,N1E2,N1E7,N1J1,N1R,N1T8,N1T9,N1U,N1W,N1W1,N1W2,N1W7,N1W8,N1W9,N2,N2D,N2E,N2E1,N2E2,N2E3,N2E7,N2E8,N2E9,N2U,N3U,N3V,N7A1,S1E1,S2E,S2E1	
5	16576-ZE7-300	SPRING, LEVER .....	1	1	1	1	-	1	A1A,A1AS,A1C,A1D,A1E,A1E1,A1E7,A1E8,A1G7,A1G9,A1J,A1P,A1U,A1W2,A1W7,A2A,A2A9,A2C,A2D,A2E,A2E1,A2E4,A2E7,A2E8,A2E9,A2G,A2G4,A2G7,A2G9,A2U,A3E,A3E7,A4E,BHH,EHHB,E1G7,E2G7,N1,N1D,N1E,N1E1,N1E2,N1E7,N1G,N1J1,N1R,N1S,N1S7,N1T8,N1T9,N1U,N1W,N1W1,N1W2,N1W7,N1W8,N1W9,N2,N2D,N2E,N2E1,N2E2,N2E3,N2E7,N2E8,N2E9,N2KA,N2U,N3U,N3V	
6	16576-891-000	HOLDER, CABLE .....	1	1	1	-	-	-	A1D,A1E1,A1G9,A1J,A1U,A2D,A2E1,A2U,A4E,N1E,N2D,N2E2,A3E,N1E1,N2E3	
			1	1	-	-	-	-	1623931 A1A,A1C,A1E,A1E7,A1E8,A2A,A2C,A2E,A2E4,A2E7,A2E8,A2E9,A2G,A2G7,A7E1,N1D,N1G,N1S,N1S7,N1U,N1W,N1W1,N1W7,N1W8,N2E,N2E1,N2E7,N2E8,N2E9,N2U,N7E1,N7E2	
			-	1	-	1	-	1	A1A,A1C,A1E7,A1E8,A1G7,A1W7,A2A,A2C,A2E,A2E7,A2E8,A2E9,A2G,A2G7,A2G9,A3E7,A7E1,BHH,N1E7,N1G,N1S,N1S7,N1U,N1W,N1W1,N1W8,N1W9,N2E,N2E1,N2E7,N2E8,N2E9,N2U,N3U,N7A1,N7E1,N7E2	
			-	1	-	-	-	-	A1E	
			-	-	1	-	-	-	2439633 A1A,A1C,A1E,A1E7,A1E8,A1G7,A1P,A1W2,A1W7,A2A,A2C,A2E,A2E4,A2E7,A2E8,A2E9,A2G7,A3E,A7E1,N1,N1D,N1E1,N1E2,N1E7,N1J1,N1R,N1U,N1W,N1W1,N1W2,N1W7,N1W8,N1W9,N2,N2E1,N2E3,N2E7,N2E8,N2E9,N2U,N3U,N3V,N7A1	
7	16580-ZM0-J20	BASE COMP., CONTROL .....	1	-	-	-	-	-	1075048 N1G	
	16580-ZM0-000	.....	1	-	-	-	-	-	1075048 A1A,A1C,A1D,A1E,A1E1,A1J,A1U,A2A,A2C,A2D,A2E,A2E1,A2G,A2U,A3E,A4E	
			-	-	1	-	-	-	1177559 A1A,A1C,A1E,A1J,A1P,A1U,A2A,A2C,A2E,A2U,A3E,A4E,N1,N2	
	16580-ZM0-800	.....	1	-	-	-	-	-	1075048 N1D,N1E,N1E1,N1U,N2D,N2E,N2E1,N2E2,N2E3,N2U	
			-	-	1	-	-	-	1177559 N1D,N1E1,N1E2,N1U,N2D,N2E,N2E1,N2E2,N2E3,N2U	
	16580-ZM0-J22	.....	1	1	-	-	-	-	N1W,N1W1	
			1	-	-	-	-	-	1075049 N1G	
			-	1	1	1	-	1	BHH,EHHB,N1G,N1J1,N1W2	
	16580-ZM0-020	.....	1	1	1	-	-	-	A2E4,N1S	
			1	-	-	-	-	-	1075049 A1A,A1C,A1D,A1E,A1E1,A1J,A1U,A2A,A2C,A2D,A2E,A2E1,A2G,A2U,A3E,A4E	
			-	1	-	1	-	1	1177560 A1A,A1AS,A1C,A1E,A1P,A2A,A2C,A2E,A2G,A3E	
	16580-ZM0-802	.....	1	-	-	-	-	-	1075049 A1A,A1C,A1E,A1J,A1P,A1U,A2A,A2C,A2E,A2U,A3E,A4E,N1,N2	
			-	1	-	1	-	1	N1D,N1E,N1E1,N1U,N2D,N2E,N2E1,N2E2,N2E3,N2U	
			-	-	1	1	-	-	N1D,N1E,N1E1,N1E2,N1U,N2E,N2E1,N2E3,N2U	
			-	-	1	1	-	-	1177560 N1W,N1W1,N3U,N3V	
	16580-ZM0-V90	.....	-	-	1	1	-	1	N1D,N1E1,N1E2,N1U,N2D,N2E,N2E1,N2E2,N2E3,N2U	
	16580-ZM0-880	.....	-	-	1	-	-	-	N1R	
	16580-ZM1-J01	.....	-	-	1	-	-	-	N1W8	
	16580-ZM0-J61	.....	1	1	-	-	-	-	A1W2	
			-	-	1	1	-	1	N1W7,N1W8	
			-	-	1	1	-	1	N1T9,N1W9	
	16580-ZM1-J41	.....	-	-	1	1	-	1	A1W7	





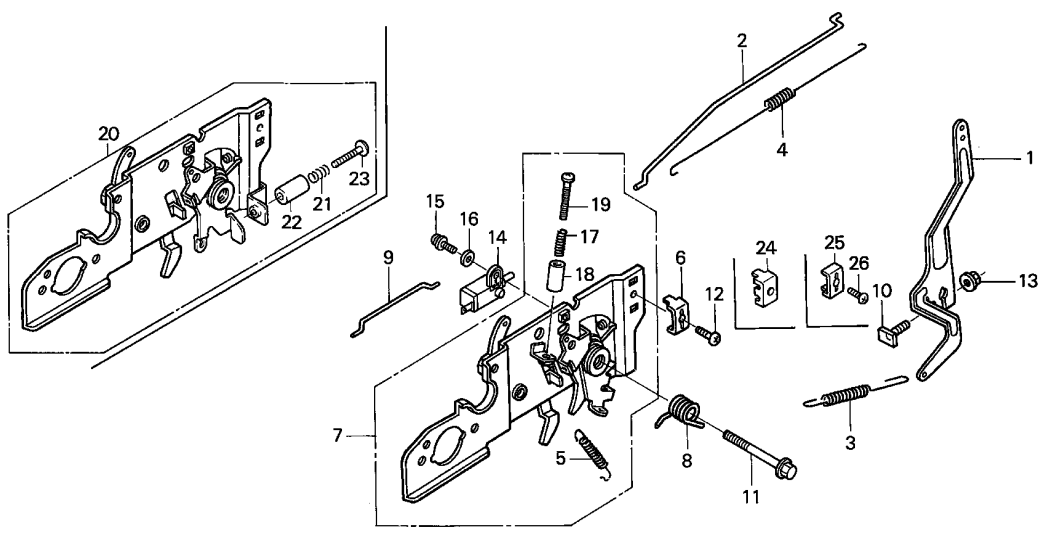
ZM00-E2200E

FR.

Ref. No.	Part No.	Description	Reqd. QTY						Serial No.	Parts catalogue code
			GCV 135	GCV 135 E	GCV 160	GCV 160 A	GCV 135 A	GCV 160 E		
(7)	16580-ZM0-871	BASE COMP., CONTROL	1	1	1	1	-	1	-----	A1E7,A1E8,A1G7,A1G9,A2A9,A2E7,A2E8,A2E9,A2G4,A2G7,A2G9,A3E7,E1G7,E2G7,N1S7
	16580-ZM0-881	-----	1	1	1	1	-	1	-----	N1E7,N1T8,N2E7,N2E8,N2E9,N2KA
			-	-	1	1	-	1	-----	N1W7
8	16593-ZM0-000	SPRING, CONTROL LEVER RETURN	-	-	-	1	-	1	-----	N1W8
			1	1	1	1	-	1	-----	A1W2,A1W7,BHH,EHBB,N1D,N1E,N1E1,N1E2,N1E7,N1G,N1J1,N1R,N1T9,N1U,N1W,N1W1,N1W2,N1W9,N2D,N2E,N2E1,N2E2,N2E3,N2E7,N2E8,N2E9,N2KA,N2U,N3U,N3V
			1	1	-	-	-	-	-----	N1W7,N1W8
9	16674-ZM0-000	ROD, CHOKE	1	1	1	1	-	1	-----	A1A,A1AS,A1C,A1D,A1E,A1E1,A1E7,A1E8,A1G7,A1G9,A1J,A1P,A1U,A1W2,A1W7,A2A,A2A9,A2C,A2D,A2E,A2E1,A2E4,A2E7,A2E8,A2E9,A2G,A2G4,A2G7,A2G9,A2U,A3E,A3E7,A4E,A7E1,BHH,EHBB,E1G7,E2G7,N1,N1D,N1E,N1E1,N1E2,N1E7,N1G,N1J1,N1R,N1S,N1S7,N1T8,N1T9,N1U,N1W,N1W1,N1W2,N1W7,N1W8,N1W9,N2,N2D,N2E,N2E1,N2E2,N2E3,N2E7,N2E8,N2E9,N2KA,N2U,N3U,N3V,N7A1,N7E1,N7E2
10	90015-ZE5-010	BOLT, GOVERNOR ARM	1	1	1	1	-	1	-----	A1A,A1AS,A1C,A1D,A1E,A1E1,A1E7,A1E8,A1G7,A1G9,A1J,A1P,A1U,A1W2,A1W7,A2A,A2A9,A2C,A2D,A2E,A2E1,A2E4,A2E7,A2E8,A2E9,A2G,A2G4,A2G7,A2G9,A2U,A3E,A3E7,A4E,A7E1,BHH,EHBB,E1G7,E2G7,N1,N1D,N1E,N1E1,N1E2,N1E7,N1G,N1J1,N1R,N1S,N1S7,N1T8,N1T9,N1U,N1W,N1W1,N1W2,N1W7,N1W8,N1W9,N2,N2D,N2E,N2E1,N2E2,N2E3,N2E7,N2E8,N2E9,N2KA,N2U,N3U,N3V,N7A1,N7E1,N7E2,S1E1,S2E,S2E1

Ref. No.	Part No.	Description	Reqd. QTY						Serial No.	Parts catalogue code
			GCV 135	GCV 135 E	GCV 160	GCV 160 A	GCV 135 A	GCV 160 E		
11	90016-ZM0-000	BOLT, FLANGE, 6X45(CT200) ...	1	1	1	1	-	1	-----	A1A,A1AS,A1C,A1D,A1E,A1E1,A1E7,A1E8,A1G7,A1G9,A1J,A1P,A1U,A1W2,A1W7,A2A,A2A9,A2C,A2D,A2E,A2E1,A2E4,A2E7,A2E8,A2E9,A2G,A2G4,A2G7,A2G9,A2U,A3E,A3E7,A4E,A7E1,BHH,EHHB,E1G7,E2G7,N1,N1D,N1E,N1E1,N1E2,N1E7,N1G,N1J1,N1R,N1S,N1S7,N1T8,N1T9,N1U,N1W,N1W1,N1W2,N1W7,N1W8,N1W9,N2,N2D,N2E,N2E1,N2E2,N2E3,N2E7,N2E8,N2E9,N2KA,N2U,N3U,N3V,N7A1,N7E1,N7E2,S1E1,S2E,S2E1
12	93500-05016-0A	SCREW, PAN, 5X16 .....	1	1	1	1	-	1	-----	A1A,A1C,A1D,A1E,A1E1,A1E7,A1E8,A1G7,A1G9,A1J,A1P,A1U,A1W2,A1W7,A2A,A2A9,A2C,A2D,A2E,A2E1,A2E4,A2E7,A2E8,A2E9,A2G,A2G4,A2G7,A2G9,A2U,A3E,A3E7,A4E,A7E1,BHH,EHHB,E1G7,E2G7,N1,N1D,N1E,N1E1,N1E2,N1E7,N1G,N1J1,N1R,N1S,N1S7,N1T8,N1T9,N1U,N1W,N1W1,N1W2,N1W7,N1W8,N1W9,N2,N2D,N2E,N2E1,N2E2,N2E3,N2E7,N2E8,N2E9,N2KA,N2U,N3U,N3V,N7A1,N7E1,N7E2
13	94050-06000	NUT, FLANGE, 6MM .....	1	1	1	1	-	1	-----	A1A,A1AS,A1C,A1D,A1E,A1E1,A1E7,A1E8,A1G7,A1G9,A1J,A1P,A1U,A1W2,A1W7,A2A,A2A9,A2C,A2D,A2E,A2E1,A2E4,A2E7,A2E8,A2E9,A2G,A2G4,A2G7,A2G9,A2U,A3E,A3E7,A4E,A7E1,BHH,EHHB,E1G7,E2G7,N1,N1D,N1E,N1E1,N1E2,N1E7,N1G,N1J1,N1R,N1S,N1S7,N1T8,N1T9,N1U,N1W,N1W1,N1W2,N1W7,N1W8,N1W9,N2,N2D,N2E,N2E1,N2E2,N2E3,N2E7,N2E8,N2E9,N2KA,N2U,N3U,N3V,N7A1,N7E1,N7E2
14	35120-ZL8-003	SWITCH ASSY., ENGINE STOP (N.O)	1	1	1	1	-	1	-----	BHH,N1D,N1E,N1E1,N1E2,N1E7,N1G,N1J1,N1R,N1T8,N1T9,N1U,N1W,N1W1,N1W2,N1W7,N1W8,N1W9,N2D,N2E,N2E1,N2E2,N2E3,N2E7,N2E8,N2E9,N2KA,N2U,N3U,N3V,N7A1,N7E1,N7E2
15	93892-04012-00	SCREW-WASHER, 4X12 .....	1	1	1	1	-	1	-----	BHH,N1D,N1E,N1E1,N1E2,N1E7,N1G,N1J1,N1R,N1T8,N1T9,N1U,N1W,N1W1,N1W2,N1W7,N1W8,N1W9,N2D,N2E,N2E1,N2E2,N2E3,N2E7,N2E8,N2E9,N2KA,N2U,N3U,N3V,N7A1,N7E1,N7E2
16	94103-04000	WASHER, PLAIN, 4MM .....	1	1	1	1	-	1	-----	BHH,N1D,N1E,N1E1,N1E2,N1E7,N1G,N1J1,N1R,N1T8,N1T9,N1U,N1W,N1W1,N1W2,N1W7,N1W8,N1W9,N2D,N2E,N2E1,N2E2,N2E3,N2E7,N2E8,N2E9,N2KA,N2U,N3U,N3V,N7A1,N7E1,N7E2
17	16584-883-300	SPRING, CONTROL ADJUSTING ...	1	1	1	1	-	1	-----	A1E7,A1E8,A1G7,A1G9,A1W7,A2A9,A2E7,A2E8,A2E9,A2G4,A2G7,A2G9,A3E7,A7E1,E1G7,E2G7,N1E7,N1R,N1S7,N1T8,N1T9,N1W7,N1W8,N1W9,N2E7,N2E8,N2E9,N2KA,N7A1,N7E1,N7E2
18	16599-ZG1-M10	COLLAR, STOPPER .....	1	1	1	1	-	1	-----	A1E7,A1E8,A1G7,A1G9,A1W7,A2A9,A2E7,A2E8,A2E9,A2G4,A2G7,A2G9,A3E7,A7E1,E1G7,E2G7,N1E7,N1S7,N1T8,N1T9,N1W7,N1W8,N1W9,N2E7,N2E8,N2E9,N2KA,N7A1,N7E1,N7E2
19	90016-ZE7-W00	SCREW, RECESSED, 5X28 .....	1	1	1	1	-	1	-----	A1E7,A1E8,A1G7,A1G9,A1W7,A2A9,A2E7,A2E8,A2E9,A2G4,A2G7,A2G9,A3E7,A7E1,E1G7,E2G7,N1E7,N1S7,N1T8,N1T9,N1W7,N1W8,N1W9,N2E7,N2E8,N2E9,N2KA,N7A1,N7E1,N7E2
	93500-05028-0A	SCREW, PAN, 5X28 .....	-	-	1	1	-	1	-----	N1R
20	16580-Z0M-780	BASE COMP., CONTROL .....	1	1	1	1	-	1	-----	A7E1,N7A1,N7E1,N7E2
	16580-Z0M-810	.....	-	1	-	-	-	1	-----	S1E1,S2E,S2E1
21	16584-883-300	SPRING, CONTROL ADJUSTING ...	1	1	1	1	-	1	-----	A7E1,N7A1,N7E1,N7E2,S1E1,S2E,S2E1
22	16599-ZG1-M10	COLLAR, STOPPER .....	1	1	1	1	-	1	-----	A7E1,N7A1,N7E1,N7E2,S1E1,S2E,S2E1
23	90016-ZE7-W00	SCREW, RECESSED, 5X28 .....	1	1	1	1	-	1	-----	A7E1,N7A1,N7E1,N7E2,S1E1,S2E,S2E1





ZM00-E2200E

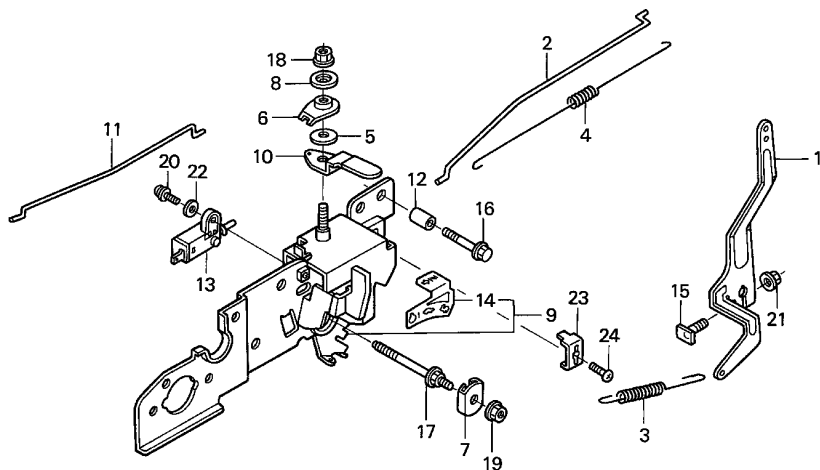


Ref. No.	Part No.	Description	Reqd. QTY						Serial No.	Parts catalogue code
			GCV 135	GCV 135 E	GCV 160	GCV 160 A	GCV 135 A	GCV 160 E		
24	16617-VG3-000	HOLDER, CABLE .....	1	-	-	-	-	1623932	----- A1A,A1C,A1E,A1E7,A1E8,A2A,A2C,A2E,A2E4,A2E7,A2E8,A2E9 A2G,A2G7,A7E1,N1D,N1G,N1S,N1S7,N1U,N1W,N1W1,N1W7,N1W8 N2E,N2E1,N2E7,N2E8,N2E9,N2U,N7E1,N7E2 ----- A2G4,N1E1,N1R,N2KA ----- N1U	
			-	1	-	1	-	2439634	----- A1A,A1C,A1E,A1E7,A1E8,A1G7,A1P,A1W2,A1W7,A2A,A2C,A2E A2E4,A2E7,A2E8,A2E9,A2G7,A3E,A7E1,N1,N1D,N1E1,N1E2 N1E7,N1J1,N1R,N1U,N1W,N1W1,N1W2,N1W7,N1W8,N1W9,N2,N2E N2E1,N2E3,N2E7,N2E8,N2E9,N2U,N3U,N3V,N7A1 ----- A1E,A1G9,A1P,A2A9,A3E,EHBB,E1G7,E2G7,N1D,N1E2,N1J1 N1T8,N1T9,N3U	
25	16576-891-000	HOLDER, CABLE .....	-	-	-	1	-	-----	----- A1AS	
26	90016-Z0A-V00	SCREW, RECESSED, 5X18 .....	-	-	-	1	-	-----	----- A1AS	

E-22-1

CONTROL(2)

F11



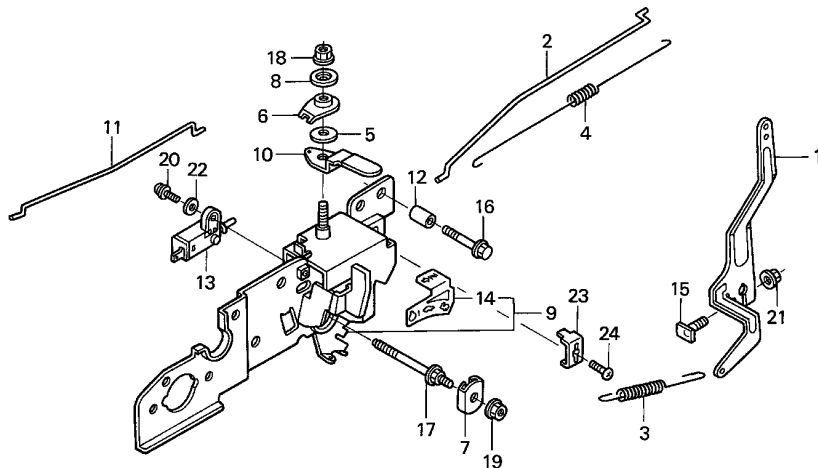
ZM00-E2201C

Ref. No.	L.O.N.	(Relative ref. Number) Description	F.R.T.
1	1161A0	ARM, GOVERNOR .....	0.2
2	1161B1	ROD, GOVERNOR .....	0.2
3	1161C5	SPRING, GOVERNOR .....	0.1
4	1161C2	SPRING, THROTTLE RETURN .....	0.2
9	1161A2	BASE, CONTROL .....	0.3
11	8101R5	ROD, GOVERNOR CHOKE CONTROL ..	0.3
13	6151D9	SWITCH, ENGINE STOP .....	0.1

FR.

Ref. No.	Part No.	Description	Reqd. QTY						Serial No.	Parts catalogue code
			GCV 135	GCV 135 E	GCV 160	GCV 160 A	GCV 135 A	GCV 160 E		
1	16551-ZM0-000	ARM, GOVERNOR .....	1	-	-	-	-	-	1623459 A2R	
	16551-ZM0-010	.....	1	-	-	-	-	-	2299007 A2R	
		.....	-	1	-	1	-	1	1623460 A2R	
		.....	-	-	1	-	-	-	2299008 A2R	
		.....	-	-	-	-	1	-	A2R,N1A,N1C,N5A,N5C	
2	16555-ZM1-000	ROD, GOVERNOR .....	1	1	-	-	-	-	A2R	
	16555-ZM0-000	.....	-	-	1	1	-	1	A2R,N1A,N1C,N5A,N5C	
3	16561-ZM0-V30	SPRING, GOVERNOR .....	1	1	-	1	-	1	A2R,N1A,N1C,N5A,N5C	
	16561-ZM1-V30	.....	1	1	-	-	-	-	A2R	
		.....	-	-	-	-	1	-	A2R	
4	16562-ZM1-000	SPRING, THROTTLE RETURN .....	1	1	-	-	-	-	A2R	
	16562-ZM0-000	.....	-	-	1	1	-	1	A2R,N1A,N1C,N5A,N5C	
5	16574-ZE1-000	SPRING, LEVER .....	1	1	1	1	-	1	A2R,N1A,N1C,N5A,N5C	
		.....	-	-	-	-	1	-	A2R,N1A,N1C,N5A,N5C	
6	16575-ZE2-W00	WASHER, CONTROL LEVER .....	1	1	1	1	-	1	A2R,N1A,N1C,N5A,N5C	
		.....	-	-	-	-	1	-	A2R,N1A,N1C,N5A,N5C	
7	16577-ZM0-V30	PLATE, LEVER CENTER .....	1	1	1	1	-	1	A2R,N1A,N1C,N5A,N5C	
		.....	-	-	-	-	1	-	A2R,N1A,N1C,N5A,N5C	
8	16578-ZE1-000	SPACER, CONTROL LEVER .....	1	1	1	1	-	1	A2R,N1A,N1C,N5A,N5C	
		.....	-	-	-	-	1	-	A2R,N1A,N1C,N5A,N5C	
9	16580-ZM0-V30	BASE COMP., CONTROL .....	1	1	1	1	-	1	A2R,N1A,N1C,N5A,N5C	
		.....	-	-	-	-	1	-	A2R,N1A,N1C,N5A,N5C	
10	16612-ZM0-V30	LEVER, CHOKE .....	1	1	1	1	-	1	A2R,N1A,N1C,N5A,N5C	
		.....	-	-	-	-	1	-	A2R,N1A,N1C,N5A,N5C	

2



ZM00-E2201C

FR.

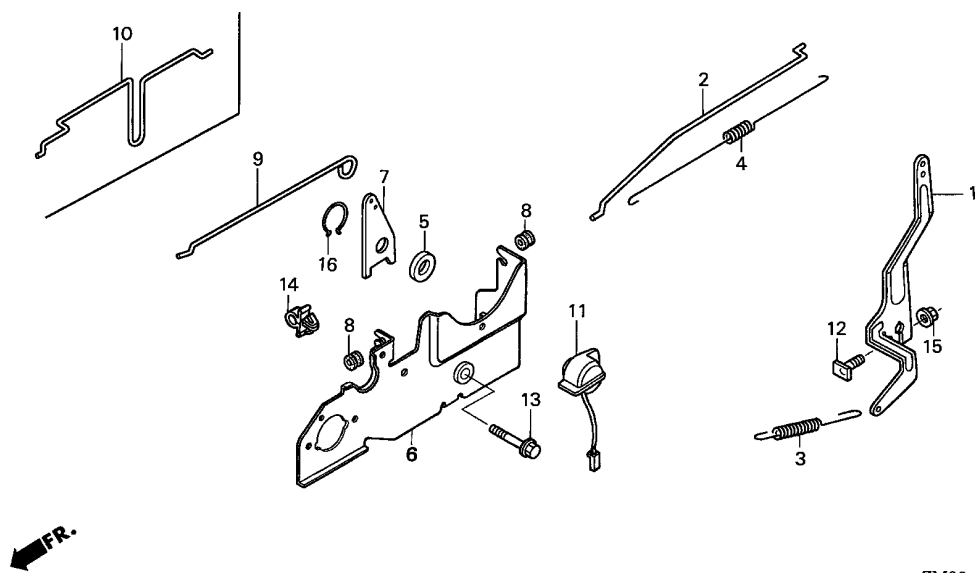
Ref. No.	Part No.	Description	Reqd. QTY						Serial No.	Parts catalogue code
			GCV 135	GCV 135 E	GCV 160	GCV 160 A	GCV 135 A	GCV 160 E		
11	16674-ZM0-V30	ROD, CHOKE .....	1	1	1	1	-	1	-----	A2R,N1A,N1C,N5A,N5C
12	17272-ZC3-300	COLLAR, IN. JOINT .....	1	1	-	-	-	1	-----	A2R
13	35120-ZL8-003	SWITCH ASSY., ENGINE STOP (N.O)	1	1	1	1	-	1	-----	A2R,N1A,N1C,N5A,N5C
14	87532-ZM0-V30	MARK, THROTTLE INDICATION ...	1	1	1	1	-	1	-----	A2R,N1A,N1C,N5A,N5C
15	90015-ZE5-010	BOLT, GOVERNOR ARM .....	1	1	1	1	-	1	-----	A2R,N1A,N1C,N5A,N5C
16	90016-ZE8-000	BOLT, FLANGE, 6X45(CT200) ...	1	1	-	-	-	-	-----	A2R
	90017-883-000	BOLT, FLANGE, 6X32 .....	-	-	1	1	-	1	-----	A2R,N1A,N1C,N5A,N5C
17	90016-ZM0-V30	BOLT, SPECIAL, 6X45 .....	1	1	1	1	-	1	-----	A2R,N1A,N1C,N5A,N5C
18	90114-SA0-000	NUT, SELF-LOCK, 6MM .....	1	1	1	1	-	1	-----	A2R,N1A,N1C,N5A,N5C
19	90136-SM4-901	NUT, SELF-LOCK, 5MM .....	1	1	1	1	-	1	-----	A2R,N1A,N1C,N5A,N5C
20	93892-04012-00	SCREW-WASHER, 4X12 .....	1	1	1	1	-	1	-----	A2R,N1A,N1C,N5A,N5C
21	94050-06000	NUT, FLANGE, 6MM .....	1	1	1	1	-	1	-----	A2R,N1A,N1C,N5A,N5C
22	94103-04000	WASHER, PLAIN, 4MM .....	1	1	1	1	-	1	-----	A2R,N1A,N1C,N5A,N5C
23	16576-891-000	HOLDER, CABLE .....	-	-	-	1	-	-	-----	N1A,N1C,N5A,N5C
24	93500-05016-0A	SCREW, PAN, 5X16 .....	-	-	-	1	-	-	-----	N1A,N1C,N5A,N5C



E-22-2

CONTROL(3)

F13



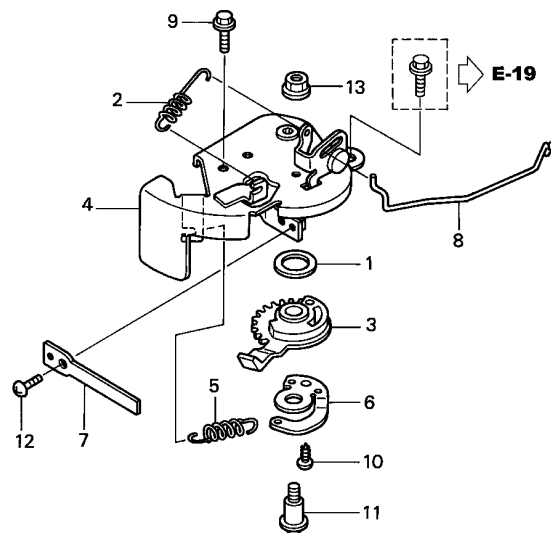
ZM00-E2202B

Ref. No.	L.O.N.	(Relative ref. Number) Description	F.R.T.
1	1161A0	ARM, GOVERNOR .....	0.2
2	1161B1	ROD, GOVERNOR .....	0.2
3	1161C5	SPRING, GOVERNOR .....	0.1
4	1161C2	SPRING, THROTTLE RETURN .....	0.2
6	1161A2	BASE, CONTROL .....	0.3
7	8101U5	LEVER, GOVERNOR CHOKE CONTROL	0.3
9		(10)	
	8101R5	ROD, GOVERNOR CHOKE CONTROL ..	0.3
11	6151D9	SWITCH, ENGINE STOP .....	0.1

Ref. No.	Part No.	Description	Reqd. QTY						Serial No.	Parts catalogue code
			GCV 135	GCV 135 E	GCV 160	GCV 160 A	GCV 135 A	GCV 160 E		
1	16551-ZM0-010	ARM, GOVERNOR .....	-	-	-	1	-	-	A1AE,A1AF,A3A,E1A2,E1A4,E5A4,N1AF,N5AF,R1A,R3A,R3A1 STA1,S1A,S1A1	
2	16555-ZM0-000 16555-ZOL-800	ROD, GOVERNOR .....	-	-	-	1	-	-	A1AE,A1AF,A3A,E1A2,E1A4,E5A4,N1AF,N5AF R1A,R3A,R3A1,STA1,S1A,S1A1	
3	16561-ZM0-000 16561-ZOL-000 16561-ZM0-V30	SPRING, GOVERNOR .....	-	-	-	1	-	-	E1A2,N1AF,N5AF A1AE,A1AF,A3A,R1A,R3A,R3A1,STA1,S1A,S1A1 E1A4,E5A4	
4	16562-ZM0-000	SPRING, THROTTLE RETURN .....	-	-	-	1	-	-	A1AE,A1AF,A3A,E1A2,E1A4,E5A4,N1AF,N5AF,R1A,R3A,R3A1 STA1,S1A,S1A1	
5	16578-ZOL-810	SPACER, CONTROL LEVER .....	-	-	-	1	-	-	A1AE,A1AF,A3A,E1A2	
6	16580-ZOL-800 16580-ZOL-810 16580-ZOL-830	BASE COMP., CONTROL .....	-	-	-	1	-	-	N1AF,N5AF A1AE,A1AF,A3A,E1A2,R1A,R3A,R3A1,STA1,S1A,S1A1 E1A4,E5A4	
7	16612-ZOL-810	LEVER, CHOKE .....	-	-	-	1	-	-	A1AE,A1AF,A3A,E1A2	
8	16613-893-000	GROMMET, CHOKE ROD .....	-	-	-	1	-	-	A1AE,A1AF,A3A,E1A2	
9	16674-ZOL-800	ROD, CHOKE .....	-	-	-	1	-	-	E1A4,E5A4,N1AF,N5AF	
10	16674-ZOL-810	ROD, CHOKE .....	-	-	-	1	-	-	E1A4,E5A4,N1AF,N5AF A1AE,A1AF,A3A,E1A2	
11	35120-ZOL-801	SWITCH ASSY., ENGINE STOP ...	-	-	-	1	-	-	N1AF,N5AF	
12	90015-ZE5-010	BOLT, GOVERNOR ARM .....	-	-	-	1	-	-	A1AE,A1AF,A3A,E1A2,E1A4,E5A4,N1AF,N5AF,R1A,R3A,R3A1 STA1,S1A,S1A1	
13	90016-ZE8-000	BOLT, FLANGE, 6X45(CT200) ...	-	-	-	1	-	-	A1AE,A1AF,A3A,E1A2,E1A4,E5A4,N1AF,N5AF,R1A,R3A,R3A1 STA1,S1A,S1A1	
14	90681-959-003	CLIP A, CABLE (NIFCO) .....	-	-	-	1	-	-	E1A2,N1AF,N5AF	
15	94050-06000	NUT, FLANGE, 6MM .....	-	-	-	1	-	-	A1AE,A1AF,A3A,E1A2,E1A4,E5A4,N1AF,N5AF,R1A,R3A,R3A1 STA1,S1A,S1A1	
16	94511-14000	CIRCLIP, EXTERNAL, 14MM .....	-	-	-	1	-	-	A1AE,A1AF,A3A,E1A2	



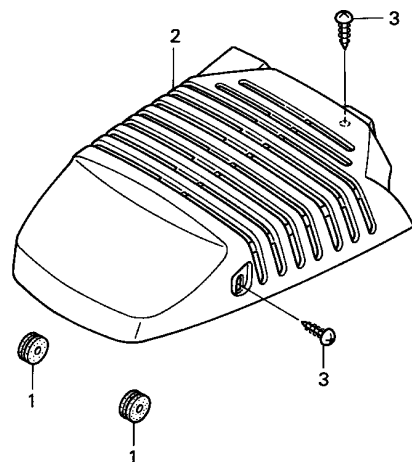




ZM00 - E2203

Ref. No.	L.O.N.	(Relative ref. Number) Description	F.R.T.
3		(1,5,6)	
3	8101U5	LEVER, GOVERNOR CHOKE CONTROL	0.3
4	8101B4	BASE, CHOKE .....	0.3

Ref. No.	Part No.	Description	Reqd. QTY						Serial No.	Parts catalogue code
			GCV 135	GCV 135 E	GCV 160	GCV 160 A	GCV 135 A	GCV 160 E		
1	16251-ZOL-800	SEAL, CHOKE LEVER .....	-	1	-	1	-	1	-----	R1A,R3A,R3A1,STA1,S1A,S1A1,S1E1,S2E,S2E1,S3A
2	16592-ZJ1-000	SPRING, CABLE RETURN .....	-	1	-	1	-	1	-----	R1A,R3A,R3A1,STA1,S1A,S1A1,S1E1,S2E,S2E1,S3A
3	16612-ZOL-800	LEVER, CHOKE .....	-	1	-	1	-	1	-----	R1A,R3A,R3A1,STA1,S1A,S1A1,S1E1,S2E,S2E1,S3A
4	16613-ZOM-800	BASE COMP., CHOKE .....	-	1	-	-	-	-	-----	S2E,S2E1
	16613-ZOL-800	.....	-	-	-	1	-	1	-----	R1A,R3A,R3A1,STA1,S1A,S1A1,S1E1,S2E,S2E1,S3A
5	16614-ZOL-800	SPRING, CHOKE LEVER .....	-	1	-	1	-	1	-----	R1A,R3A,R3A1,STA1,S1A,S1A1,S1E1,S2E,S2E1,S3A
6	16616-ZOL-800	HOOK, CHOKE SPRING .....	-	1	-	1	-	1	-----	R1A,R3A,R3A1,STA1,S1A,S1A1,S1E1,S2E,S2E1,S3A
7	16619-ZOL-800	PLATE, CHOKE .....	-	1	-	1	-	1	-----	R1A,R3A,R3A1,STA1,S1A,S1A1,S1E1,S2E,S2E1,S3A
8	16632-ZOL-800	ROD, STOP .....	-	1	-	1	-	1	-----	R1A,R3A,R3A1,STA1,S1A,S1A1,S1E1,S2E,S2E1,S3A
9	90022-888-000	BOLT, FLANGE, 6X20 .....	-	1	-	1	-	1	-----	R1A,R3A,R3A1,STA1,S1A,S1A1,S1E1,S2E,S2E1,S3A
10	90102-SP1-003	SCREW, TAPPING, 4X8(PO) .....	-	1	-	1	-	1	-----	R1A,R3A,R3A1,STA1,S1A,S1A1,S1E1,S2E,S2E1,S3A
11	90141-KT8-000	SCREW, PAN, 5X19 .....	-	1	-	1	-	1	-----	R1A,R3A,R3A1,STA1,S1A,S1A1,S1E1,S2E,S2E1,S3A
12	93500-04008-OH	SCREW, PAN, 4X8 .....	-	1	-	1	-	1	-----	R1A,R3A,R3A1,STA1,S1A,S1A1,S1E1,S2E,S2E1,S3A
13	94050-05000	NUT, FLANGE, 5MM .....	-	1	-	1	-	1	-----	R1A,R3A,R3A1,STA1,S1A,S1A1,S1E1,S2E,S2E1,S3A



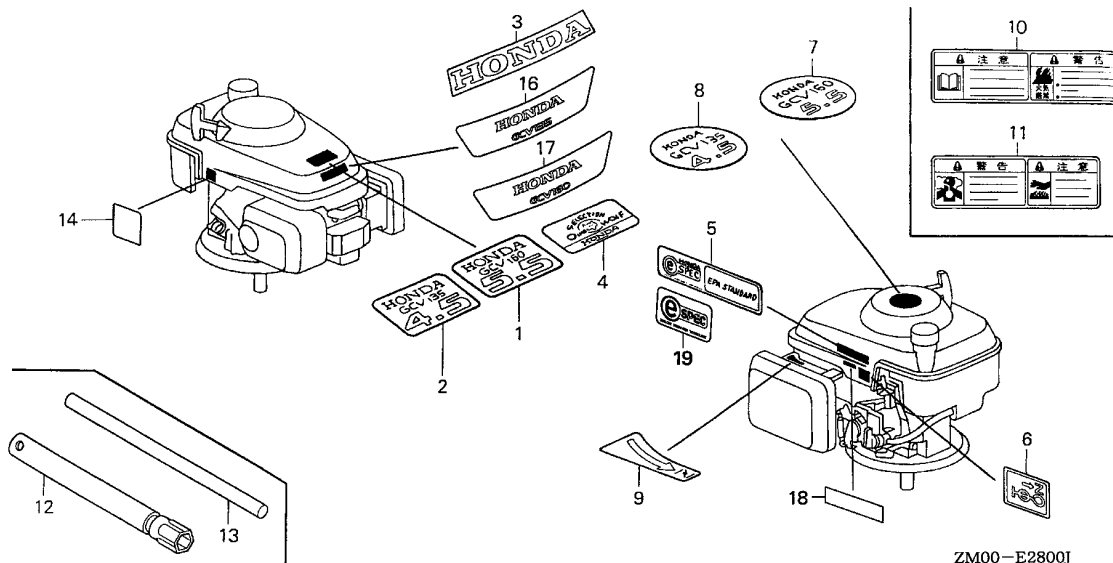
ZM00-E2700

Ref. No.	L.O.N.	(Relative ref. Number) Description	F.R.T.
----------	--------	------------------------------------	--------

2	1111D6	COVER, ENGINE TOP .....	0.1
---	--------	-------------------------	-----

Ref. No.	Part No.	Description	Reqd. QTY						Serial No.	Parts catalogue code
			GCV 135	GCV 135 E	GCV 160	GCV 160 A	GCV 135 A	GCV 160 E		
1	16613-883-610	GROMMET, CHOKE ROD .....	-	2	-	2	-	2	-----	A1G9,A2A9,A2G9,R3A1,STA1,S1A1,S1E1,S2E1
2	19721-Z0L-000ZA	COVER, TOP	-	-	-	1	-	-	-----	R3A1,STA1,S1A1
		*NH1*.....BLACK	-	-	-	-	-	1	-----	A1G9,A2A9,A2G9,S1E1,S2E1
	19721-Z0M-000ZA	*NH1*.....BLACK	-	1	-	-	-	1	-----	A2G9
	19721-Z0M-000ZB	*NH246*.....LOOSEY GRAY	-	1	-	-	-	1	-----	S2E1
	19721-Z0M-000ZD	*R8*.....BRIGHT RED	-	1	-	-	-	1	-----	A2G9
	19721-Z0M-000ZE	*R280*.....POWER RED	-	1	-	-	-	1	-----	S2E1
3	90137-SH3-000	SCREW, TAPPING, 4X16 .....	-	3	-	3	-	3	-----	A1G9,A2A9,A2G9,R3A1,STA1,S1E1
	93903-24480	.....	-	3	-	3	-	-	-----	S2E1
		.....	-	-	-	-	-	-	-----	S1A1,S2E1





ZM00-E2800J

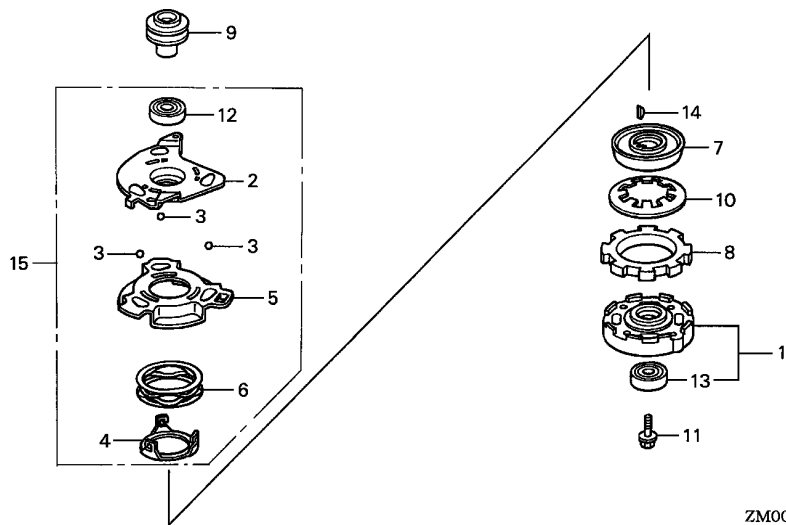
Ref. L.O.N. (Relative ref. Number) F.R.T.  
No. Description

NO INFORMATION .....

Ref. No.	Part No.	Description	Reqd. QTY							Serial No.	Parts catalogue code
			GCV 135 E	GCV 135	GCV 160	GCV 160 A	GCV 135 A	GCV 160 E			
1	87101-ZM0-000	EMBLEM (GCV160 5.5) .....	-	-	1	1	-	1	-----	A1A,A1AF,A1E7,A1E8,A1G7,A1J,A2A,A2E7,A2E8,A2E9,A2G7,A2G9,N1A,N1AF,N1C,N1E7,N1W7,N2E7,N2E8,N2E9,N5A,N5AF,N5C,S1A,S1A1,S2E,S2E1	
			-	-	1	1	-	-	-----	A2R	
			-	-	1	-	-	-	-----	N1R	
			-	-	1	-	-	2414991	-----	N1W9	
			-	-	1	-	-	1212768	-----	N2U	
	87101-ZM0-010	.....	-	-	1	-	1	-----	A1C,A2C,N1U,N1W9		
			-	-	1	-	1	-----	A1C,A2C,N1J1,N1U		
			-	-	1	-	1	-----	A1AS,A1E,A1G9,A2A9,A3E,A3E7,E1A2,E1A4,E1G7,E2G7,E5A4,N1D,N1E1,N1E2,N1R,N1T8,N1T9,R1A,R3A1,S1E1		
			-	-	-	-	1	-----	A2R		
2	87101-ZM1-000	EMBLEM (GCV135 4.5) .....	1	1	-	-	-	-----	A1A,A1C,A1D,A1E,A1E1,A1E7,A1E8,A1J,A1U,A2A,A2C,A2D,A2E,A2E1,A2E4,A2E7,A2E8,A2E9,A2G7,A2G9,A2U,A3E,A4E,N1D,N1E1,N1W,N1W7,N2D,N2E,N2E1,N2E2,N2E3,N2E7,N2E8,N2E9,S2E,S2E1		
			1	-	-	-	-	-----	A2R,N1U		
			1	-	-	-	1	-----	1094954 N2U		
	87101-ZM1-010	.....	1	-	-	-	-	1623910	-----	A1A,A1C,A1E,A1E7,A1E8,A2A,A2C,A2E,A2E4,A2E7,A2E8,A2E9,A2G7,A2R,N1D,N1U,N1W,N1W7,N2E,N2E1,N2E7,N2E8,N2E9,A1G9,A2R,N1U,N2KA	
3	87531-ZM0-J00	MARK, HONDA .....	1	-	-	-	-	-----	1623839	A2G,N1G	
			-	1	-	-	-	-----	2425659	A1P	
	87531-ZM0-J01	.....	1	-	-	-	-	1623840	-----	A2G,N1G	
			-	1	-	-	-	2425660	-----	A1P	
			-	-	-	-	1	-----	-----	A1P	

Ref. No.	Part No.	Description	Reqd. QTY						Serial No.	Parts catalogue code
			GCV 135	GCV 135 E	GCV 160	GCV 160 A	GCV 135 A	GCV 160 E		
4	87101-ZM0-V50	EMBLEM (WOLF) .....	1	1	1	1	-	1	-----	A1W2,A1W7,N1W1,N1W2,N1W8
5	87135-ZE2-010	LABEL, E-SPEC (EPA STANDARD)	-	1	-	-	-	-	2414990	N1W9
			-	-	1	-	-	-	2436351	N1E1,N7E1
			-	-	-	-	-	-		A1E,A1E7,A1E8,A1G7,A1P,A1W2,A1W7,A2E,A2E4,A2E7,A2E8
			-	-	-	-	-	-		A2E9,A2G7,A3E,A7E1,N1,N1D,N1E1,N1E2,N1E7,N1R,N1U,N1W
			-	-	-	-	-	-		N1W1,N1W2,N1W7,N1W8,N1W9,N2,N2E,N2E1,N2E3,N2E7,N2E8
			-	-	-	-	-	-		N2E9,N2U,N3U,N3V
6	87528-ZL8-000	MARK, CHOKE .....	-	-	-	1	-	-	-----	E1A4,E5A4,N1AF,N5AF
7	87101-ZOL-780	MARK, EMBLEM (GCV160) .....	-	-	1	1	-	1	-----	A7E1,N7A1
8	87101-ZOM-780	MARK, EMBLEM (GCV135) .....	1	1	-	-	-	-	-----	A7E1,N7E1,N7E2
9	87528-ZOL-800	MARK, CHOKE INDICATION .....	-	1	-	1	-	1	-----	R1A,R3A1,STA1,S1A,S1A1,S1E1,S2E,S2E1
	87528-ZOL-V20	.....	-	-	-	1	-	-	-----	R3A,S3A
10	87520-ZL8-810	MARK A, COMBINATION (J) .....	-	-	1	-	-	1	-----	N1J1
11	87526-ZL8-810	MARK B, COMBINATION (J) .....	-	-	1	-	-	1	-----	N1J1
12	89218-ZE1-000	WRENCH COMP., SPARK PLUG .....	-	-	1	-	-	1	-----	N1J1
13	89219-805-000	HANDLE, BOX WRENCH .....	-	-	1	-	-	1	-----	N1J1
14	87594-VG3-010	MARK, OIL CAUTION .....	-	-	-	1	-	-	-----	STA1
16	87102-ZOM-V60	MARK, EMBLEM (GCV135) .....	-	1	-	-	-	-	-----	A2G4
17	87102-Z1L-V50	MARK, EMBLEM (GCV160) .....	-	-	-	-	-	1	-----	A2G4
18	87637-ZM3-800	MARK (C-TICK) .....	-	1	-	-	-	-	-----	N1U
			-	-	-	1	-	1	-----	N1R,N3U
19	87135-ZE2-020	LABEL, E-SPEC (15.5X27.5) ...	1	1	-	1	-	1	-----	A1E,A1E7,A1E8,A1G7,A1G9,A1P,A1W7,A2E,A2E4,A2E7,A2E8
			-	-	-	-	-	-		A2E9,A2G4,A2G7,A2G9,A3E7,A7E1,E1G7,E2G7,N1D,N1E2,N1E7
			-	-	-	-	-	-		N1R,N1S,N1S7,N1T8,N1T9,N1U,N1W,N1W1,N1W7,N1W8,N1W9,N2E
			-	-	-	-	-	-		N2E1,N2E7,N2E8,N2E9,N2U,N3U,N3V,S1E1,S2E,S2E1
			1	-	1	-	-	1	-----	A2G,N1G,N1J1
			-	1	-	1	-	1	-----	A3E,N1E,N1E1,N2E3
			-	-	1	-	-	-	2436352	A1E,A1E7,A1E8,A1G7,A1P,A1W2,A1W7,A2E,A2E4,A2E7,A2E8
			-	-	-	-	-	-		A2E9,A2G7,A3E,A7E1,N1,N1D,N1E1,N1E2,N1E7,N1R,N1U,N1W
			-	-	-	-	-	-		N1W1,N1W2,N1W7,N1W8,N1W9,N2,N2E,N2E1,N2E3,N2E7,N2E8
			-	-	-	-	-	-		N2E9,N2U,N3U,N3V





Ref. L.O.N. (Relative ref. Number) F.R.T.  
No. Description

NO INFORMATION .....

Ref. No.	Part No.	Description	Reqd. QTY						Serial No.	Parts catalogue code
			GCV 135	GCV 135 E	GCV 160	GCV 160 A	GCV 135 A	GCV 160 E		
1	72600-VE1-G00	HOLDER ASSY., BLADE .....	-	-	-	1	-	-	-----	BHH,EHHB
2	75111-VE1-G01	PLATE, BALL CONTROL .....	-	-	-	1	-	-	-----	BHH,EHHB
3	75117-VE1-G00	BALL, STEEL .....	-	-	-	3	-	-	-----	BHH,EHHB
4	75127-VE1-G00	PLATE, SPRING HOOK .....	-	-	-	1	-	-	-----	BHH,EHHB
5	75130-Z0L-000	PLATE COMP., BRAKE .....	-	-	-	1	-	-	-----	BHH,EHHB
6	75132-VE1-G00	SPRING, BALL PLATE .....	-	-	-	1	-	-	-----	BHH,EHHB
7	75141-VE1-G00	DISK, DRIVE .....	-	-	-	1	-	-	-----	BHH,EHHB
8	75150-VE1-G02	DISK COMP., DRIVEN .....	-	-	-	1	-	-	-----	BHH,EHHB
9	75162-Z0L-000	PULLEY, DRIVE .....	-	-	-	1	-	-	-----	BHH,EHHB
10	75183-VE1-G01	SPRING, CLUTCH .....	-	-	-	1	-	-	-----	BHH,EHHB
11	90101-VE1-G00	BOLT, FLANGE, 10X24 .....	-	-	-	1	-	-	-----	BHH,EHHB
12	91051-VE1-G00	BEARING, RADIAL BALL, 6006 .....	-	-	-	1	-	-	-----	BHH
	91051-VE1-R00	BEARING, RADIAL BALL, 6006 (SST) .....	-	-	-	1	-	-	-----	BHH
13	91052-VE1-G00	BEARING, RADIAL BALL, 6204 .....	-	-	-	1	-	-	-----	BHH,EHHB
14	94401-16150	KEY, WOODRUFF, 16X15 .....	-	-	-	1	-	-	-----	BHH,EHHB
15	75110-Z0L-000	PLATE ASSY., BALL CONTROL .....	-	-	-	1	-	-	-----	EHHB

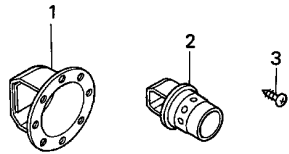
E-40-1

MUFFLER CAP

G 3

Ref. L.O.N. (Relative ref. Number) F.R.T.  
 No. Description

NO INFORMATION .....



ZM00-E4001

Ref. No.	Part No.	Description	Reqd. QTY						Serial No.	Parts catalogue code
			GCV 135	GCV 135 E	GCV 160	GCV 160 A	GCV 135 A	GCV 160 E		
1	18348-ZL8-000	CAP, MUFFLER .....	-	-	-	1	-	1	-----	A1AS,N1E1
2	18430-ZL8-000	DEFLECTOR COMP., MUFFLER .....	-	-	-	1	-	1	-----	A1AS,N1E1
3	90055-ZE1-000	SCREW, TAPPING, 4X6 .....	-	-	-	4	-	4	-----	A1AS,N1E1

2



# PART NO. INDEX

H 2

Part Number	Address	Page	Ref.	Part Number	Address	Page	Ref.	Part Number	Address	Page	Ref.	Part Number	Address	Page	Ref.
19610-Z1L-800ZA E3		51	6	30000				72000				90013-883-000	D1	33	5
19610-Z1L-800ZB E3		51	6										E14	62	4
19610-ZM0-000ZA E3		51	6	30500-Z0J-003	E16	64	3	72600-VE1-G00	G2	82	1		F1	65	9
19610-ZM0-000ZB E3		51	6	30500-ZL8-004	E16	64	3						F3	67	6
19610-ZM0-010ZA E4		52	6	30549-Z0L-820	F3	67	2	75000					F4	68	6
19610-ZM0-010ZB E4		52	6									90014-952-000	D2	34	6
19610-ZM0-010ZC E4		52	6	31000				75100-ZM0-000	F1	65	7		D5	37	15
19610-ZM0-010ZD E5		53	6					75110-Z0L-000	G2	82	15		F1	65	10
19610-ZM0-J10ZA E3		51	6	31105-Z0J-000	E16	64	4	75110-Z0L-800	F2	66	21	90015-ZE5-010	F8	72	10
19610-ZM0-J11ZA E4		52	6	31105-Z0L-000	E16	64	4	75110-Z0L-820	F2	66	23		F12	76	15
19610-ZM0-J11ZC E4		52	6	31105-Z0L-010	F1	65	4	75111-VE1-G01	G2	82	2		F13	77	12
19610-ZM1-000ZA E3		51	6	31105-Z0L-820	F2	66	22	75113-ZM0-000	F1	65	8	90016-Z0A-V00	F10	74	26
19610-ZM1-000ZB E3		51	6	31105-Z0L-830	F2	66	22	75117-VE1-G00	G2	82	3	90016-ZE7-W00	F9	73	19
19610-ZM1-010ZA E3		51	6	31105-ZL8-000	E16	64	4	75127-VE1-G00	G2	82	4				
19610-ZM1-010ZB E3		51	6	31105-ZM0-000	E16	64	4	75130-Z0L-000	G2	82	5	90016-ZE8-000	F12	76	16
19610-ZM1-010ZC E3		51	6	31105-ZM1-000	E16	64	4	75132-VE1-G00	G2	82	6		F13	77	13
19610-ZM1-010ZD E3		51	6	31105-ZM1-V20	E16	64	4	75141-VE1-G00	G2	82	7	90016-ZM0-000	F9	73	11
19612-Z0L-830 F4		68	1	31110-Z0J-003	F2	66	17	75150-VE1-G02	G2	82	8	90016-ZM0-V30	F12	76	17
19612-ZM0-000 E16		64	2	31110-Z0J-013	F2	66	17	75162-Z0L-000	G2	82	9	90017-883-000	F12	76	16
19612-ZM0-J20 E16		64	2	31110-Z0L-831	F2	66	17	75183-VE1-G01	G2	82	10	90018-ZE1-000	F1	65	11
19650-ZM0-000 E10		58	14	31110-ZL8-004	F2	66	17					90022-888-000	F14	78	9
19721-Z0L-000ZA F15		79	2	31110-ZL9-003	F2	66	17	87000				90022-888-010	F1	65	12
19721-Z0M-000ZA F15		79	2	31200-Z0L-821	F3	67	3	87101-Z0L-780	G1	81	7	90041-Z0M-780	E7	55	21
19721-Z0M-000ZB F15		79	2					87101-Z0M-780	G1	81	8	90041-ZL9-000	E5	53	9
19721-Z0M-000ZD F15		79	2	32000				87101-ZM0-000	F16	80	1	90043-ZL8-000	E5	53	9
19721-Z0M-000ZE F15		79	2	32195-Z0L-000	F1	65	5	87101-ZM0-010	F16	80	1	90055-ZE1-000	E14	62	8
				32195-Z0L-800	F2	66	18	87101-ZM0-V50	G1	81	4		E15	63	11
22000				32195-Z0L-820	F1	65	5	87101-ZM1-000	F16	80	2	90101-VE1-G00	G2	82	11
22534-Z0L-820 F3		67	1	32195-ZM0-000	F1	65	5	87101-ZM1-010	F16	80	2	90102-SP1-003	F14	78	10
	F4	68	2	32195-ZM0-800	F1	65	5	87102-Z0M-V60	G1	81	16	90114-SA0-000	F12	76	18
					F2	66	18	87102-Z1L-V50	G1	81	17	90121-952-000	D5	37	16
28000				32222-Z0L-820	F3	67	4	87135-ZE2-010	G1	81	5	90131-883-000	D6	38	24
28400-Z0L-801 D16		48	13	32222-Z0L-830	F3	67	8	87135-ZE2-020	G1	81	19	90136-SM4-901	F12	76	19
28400-Z0L-V71 D16		48	13					87501-Z0L-830	F4	68	5	90137-SH3-000	F15	79	3
28400-Z0M-800 D16		48	14	33000				87520-ZL8-810	G1	81	10	90141-KT8-000	F14	78	11
28400-ZL8-013ZA D14		46	1	33609-GK4-620	E5	53	8	87526-ZL8-810	G1	81	11	90201-878-003	F1	65	13
28400-ZL8-013ZB D14		46	1					87528-Z0L-800	G1	81	9	90201-ZM0-000	D16	48	11
28400-ZL8-013ZC D14		46	1	35000				87528-Z0L-V20	G1	81	9	90201-ZM0-J20	D15	47	11
28400-ZM0-003ZA D14		46	1					87528-ZL8-000	G1	81	6	90206-001-000	D12	44	12
28400-ZM0-003ZB D14		46	1	35100-Z0L-831	F4	68	3	87531-ZM0-J00	F16	80	3	90303-MR1-000	D16	48	11
28400-ZM0-013ZA D14		46	1	35111-Z0L-830	F4	68	4	87531-ZM0-J01	F16	80	3	90402-ZL8-000	D7	39	5
28400-ZM0-013ZB D14		46	1	35120-Z0L-801	F13	77	11	87532-ZM0-V30	F12	76	14	90451-ZE1-000	D5	37	17
28400-ZM0-013ZC D15		47	1	35120-ZL8-003	F9	73	14	87594-VG3-010	G1	81	14	90551-ZE0-000	D8	40	5
28400-ZM0-631ZA D15		47	1					87637-ZM3-800	G1	81	18	90601-Z0M-003	E7	55	22
28400-ZM0-631ZB D15		47	1	35120-ZM0-003	F1	65	6					90602-ZE1-000	D5	37	18
28400-ZM0-632ZA D15		47	1					89000				90659-680-013	E7	55	23
28400-ZM0-632ZB D15		47	1	51000				89218-ZE1-000	G1	81	12	90681-959-003	F1	65	14
28400-ZM0-632ZC D15		47	1					89219-805-000	G1	81	13		F2	66	19
28400-ZM0-632ZD D15		47	1	51125-Z0L-003	F1	65	14						F3	67	9
28400-ZM0-J20ZA D16		48	12					90000					F13	77	14
28400-ZM0-J21ZA D16		48	12									91000			
28461-Z0L-V71 D16		48	16					90001-Z0L-820	F3	67	5				
28461-ZL8-003 D15		47	8	66000				90001-ZE1-000	D8	40	4	91051-VE1-G00	G2	82	12
28462-Z0L-V71 D15		47	9					90002-Z0L-820	F1	65	11	91051-VE1-R00	G2	82	12
28462-ZL8-003 D15		47	9	66871-KY2-700	D16	48	15	90003-ZM0-000	E13	61	7	91052-VE1-G00	G2	82	13
28462-ZL8-631 D15		47	9					90004-ZL8-000	E14	62	3	91201-ZL8-003	D2	34	7
								90012-333-000	D12	44	11	91202-ZL8-003	D5	37	19

3



# PART NO. INDEX

**H 3**

Part Number	Address	Page	Ref.	Part Number	Address	Page	Ref.	Part Number	Address	Page	Ref.	Part Number	Address	Page	Ref.
98000															
98079-56846	D2	34	8												
99000															
99101-124-0550	E11	59	16												
99101-124-0580	E11	59	16												
99101-124-0600	E11	59	16												
99101-124-0620	E11	59	16												
99101-124-0650	E11	59	16												

3

# PART NAME INDEX

Part name	Address	Page	Ref.	Part name	Address	Page	Ref.	Part name	Address	Page	Ref.
[ A ]				[ C ]				[ E ]			
ARM, EX. VALVE ROCKER .....	D11	43	5	CAP ASSY., FUEL TANK .....	E2	50	4	DEFLECTOR COMP., MUFFLER .....	G3	83	2
	D12	44	5		E3	51	4	DISK COMP., DRIVEN .....	G2	82	8
ARM, GOVERNOR .....	F5	69	1		E6	54	15	DISK, DRIVE .....	G2	82	7
	F11	75	1	CAP, MUFFLER .....	E14	62	6	DOWEL PIN, 8X20 .....	D6	38	23
	F13	77	1		G3	83	1	[ E ]			
ARM, IN. VALVE ROCKER .....	D11	43	4	CARBURETOR ASSY. ....	E9	57	7	ELEMENT, AIR CLEANER .....	E12	60	2
ARRESTER COMP., SPARK .....	E14	62	9		E10	58	7	EMBLEM .....	F16	80	1
[ B ]				CASE ASSY., AIR CLEANER .....	E12	60	3		G1	81	4
BALL, STEEL .....	G2	82	3	CHAMBER SET, FLOAT .....	E8	56	3	EXTENSION, OIL FILLER .....	D5	37	5
BARREL ASSY., CYLINDER .....	D1	33	1	CIRCLIP, EXTERNAL, 14MM .....	F13	77	16	[ F ]			
BASE COMP., CHOKE .....	F14	78	4	CLAMPER, CORD .....	F3	67	2	FLYWHEEL ASSY. ....	E16	64	4
BASE COMP., CONTROL .....	F7	71	7	CLIP A, CABLE .....	F1	65	14		F1	65	4
	F8	72	7		F2	66	19	FLYWHEEL COMP. ....	F2	66	17
	F9	73	20	CLIP, GOVERNOR HOLDER .....	F3	67	9	CLIP, PISTON PIN, 13MM .....	F1	65	4
	F11	75	9		F13	77	14	CLIP, PURSE LOCK .....	F2	66	22
	F13	77	6	CLIP, GOVERNOR HOLDER .....	D5	37	18	CLIP, TUBE .....	F2	66	17
BEARING, RADIAL BALL, 6006 ...	G2	82	12		D8	40	5	[ G ]			
BEARING, RADIAL BALL, 6204 ...	G2	82	13	CLIP, PISTON PIN, 13MM .....	D8	40	5	GASKET, MUFFLER .....	E14	62	5
BELT, TIMING .....	D10	42	3	CLIP, PURSE LOCK .....	E7	55	22	GAUGE ASSY., OIL LEVEL .....	D4	36	2
	D11	43	3	CLIP, TUBE .....	E5	53	12		D5	37	7
	D8	40	4		E6	54	13	GOVERNOR ASSY. ....	D5	37	9
BOLT, CONNECTING ROD .....	D11	43	3		E7	55	26	GRIP, STARTER .....	D15	47	8
BOLT, DRAIN PLUG, 12X15 .....	D6	38	24	CLIP, WIRE HARNESS .....	E7	55	23	GROMMET A, RR. COVER .....	F2	66	20
BOLT, FLANGE, 10X24 .....	G2	82	11	COCK ASSY., FUEL .....	E1	49	2	GROMMET, CHOKE ROD .....	F13	77	8
BOLT, FLANGE, 6X12 .....	D1	33	5		E7	55	31	GUIDE COMP., AIR .....	F15	79	1
	E14	62	4	COIL ASSY., IGNITION .....	E16	64	3		E10	58	14
	F1	65	9	COLLAR, FR. WINKER .....	E5	53	8	[ H ]			
	F3	67	6	COLLAR, FUEL COCK .....	E5	53	8	HANDLE, BOX WRENCH .....	G1	81	13
	F4	68	6	COLLAR, IN. JOINT .....	F12	76	12	HOLDER ASSY., BLADE .....	G2	82	1
BOLT, FLANGE, 6X14 .....	D2	34	6	COLLAR, STOPPER .....	F9	73	18	HOLDER, CABLE .....	F7	71	6
	D5	37	15						F10	74	24
	E13	61	8	CORD, STOP SWITCH .....	F1	65	5		F12	76	23
	F1	65	10		F2	66	18	HOLDER, GOVERNOR WEIGHT .....	D5	37	11
BOLT, FLANGE, 6X20 .....	F1	65	12	CORD, TERMINAL EARTH .....	F3	67	4	HOLDER, WIRE .....	F1	65	14
	F14	78	9						F2	66	19
BOLT, FLANGE, 6X23 .....	F1	65	11	COVER COMP., BREATHER .....	D1	33	4		F3	67	1
BOLT, FLANGE, 6X25 .....	D5	37	16	COVER COMP., FAN .....	E3	51	6	HOOK, CHOKE SPRING .....	F14	78	6
BOLT, FLANGE, 6X32 .....	F12	76	16		E4	52	6	[ I ]			
BOLT, FLANGE, 6X45 .....	F9	73	11	COVER, AIR CLEANER .....	E5	53	6	INSULATOR COMP., CARBURETOR ...	E11	59	18
	F12	76	16	COVER, HEAD .....	E13	61	6	INSULATOR, CARBURETOR .....	E10	58	10
	F13	77	13	COVER, TOP .....	D1	33	3	[ J ]			
BOLT, FLANGE, 6X79 .....	E14	62	3	CRANKSHAFT COMP. ....	F15	79	2	JET, MAIN, .....	E11	59	16
BOLT, FLANGE, 6X86 .....	E13	61	7		D7	39	1				
BOLT, GOVERNOR ARM .....	F8	72	10								
	F12	76	15								
	F13	77	12								
BOLT, SPECIAL, 6MM .....	F3	67	5								
BOLT, SPECIAL, 6X45 .....	F12	76	17								
BOLT, STUD .....	E5	53	9								
	E7	55	21								
BRACKET, FUEL COCK .....	E2	50	3								
BRAKE ASSY. ....	F1	65	7								
BRAKE SUB ASSY. ....	F2	66	21								
			23								
				[ D ]							
				DEFLECTOR COMP., MUFFLER .....	E14	62	7				

# PART NAME INDEX

Part name	Address	Page	Ref.	Part name	Address	Page	Ref.	Part name	Address	Page	Ref.
[ K ]				[ P ]							
KEY, COMBINATION SWITCH .....	F4	68	4	PACKING SET .....	E8	56	1	SCREW SET .....	E9	57	6
KEY, SPECIAL WOODRUFF, 25X18 ..	E16	64	1	PACKING, AIR CLEANER .....	E12	60	5	SCREW SET A .....	E8	56	4
KEY, WOODRUFF, 16X15 .....	G2	82	14	PACKING, CARBURETOR .....	E10	58	12	SCREW SET, DRAIN .....	E11	59	17
KNOB, RECOIL STARTER .....	D16	48	16					SCREW, PAN, 4X8 .....	F14	78	12
[ L ]				PACKING, INSULATOR .....	E10	58	11	SCREW, PAN, 5X10 .....	F4	68	7
LABEL, E-SPEC .....	G1	81	5	PACKING, OIL FILLER CAP .....	D4	36	3	SCREW, PAN, 5X12 .....	F4	68	8
								SCREW, PAN, 5X16 .....	F9	73	12
LEVER, CHOKE .....	F11	75	10						F12	76	24
	F13	77	7	PAN ASSY., OIL .....	D3	35	1	SCREW, PAN, 5X19 .....	F14	78	11
	F14	78	3		D4	36	1	SCREW, PAN, 5X28 .....	F9	73	19
[ M ]				PIN, GOVERNOR WEIGHT .....	D5	37	12	SCREW, PAN, 5X6 .....	E10	58	15
MARK .....	G1	81	18	PIN, LOCK, 8MM .....	D6	38	22	SCREW, PAN, 5X8 .....	F3	67	7
MARK A, COMBINATION .....	G1	81	10	PIN, PISTON .....	D8	40	2	SCREW, RECESSED, 5X18 .....	F10	74	26
MARK B, COMBINATION .....	G1	81	11	PISTON .....	D8	40	1	SCREW, RECESSED, 5X28 .....	F9	73	19
MARK, CHOKE .....	G1	81	6	PLATE ASSY., BALL CONTROL .....	G2	82	15				
MARK, CHOKE INDICATION .....	G1	81	9	PLATE COMP., BRAKE .....	G2	82	5	SCREW, TAPPET ADJUSTING .....	D12	44	11
MARK, EMBLEM .....	G1	81	7	PLATE, ARRESTER NUMBER .....	E14	62	10	SCREW, TAPPING, 4X16 .....	F15	79	3
				PLATE, BALL CONTROL .....	G2	82	2	SCREW, TAPPING, 4X6 .....	E14	62	8
				PLATE, CHOKE .....	F14	78	7		E15	63	11
				PLATE, LEVER CENTER .....	F11	75	7		G3	83	3
				PLATE, SIDE .....	E16	64	2	SCREW, TAPPING, 4X8 .....	F14	78	10
					F4	68	1	SEAL, CHOKE LEVER .....	F14	78	1
				PLATE, SPRING HOOK .....	G2	82	4	SEAL, VALVE STEM .....	D13	45	14
				PLUG, SPARK .....	D2	34	8	SHAFT COMP., GOVERNOR HOLDER ..	D5	37	8
				PROTECTOR COMP., MUFFLER .....	E14	62	2	SHAFT, CAM PULLEY .....	D10	42	2
MARK, ENGINE SWITCH .....	F4	68	5	PROTECTOR, MUFFLER .....	E14	62	2	SHAFT, GOVERNOR ARM .....	D5	37	14
MARK, HONDA .....	F16	80	3	PROTECTOR, MUFFLER .....	E14	62	2	SHAFT, ROCKER ARM .....	D12	44	6
MARK, OIL CAUTION .....	G1	81	14	PULLEY COMP., CAMSHAFT .....	D10	42	1	SLIDER, GOVERNOR .....	D5	37	13
MARK, THROTTLE INDICATION .....	F12	76	14	PULLEY, DRIVE .....	G2	82	9	SPACER, CONTROL LEVER .....	F11	75	8
MOTOR ASSY., STARTER .....	F3	67	3	PUMP ASSY., FUEL .....	E7	55	16		F13	77	5
MUFFLER COMP. ....	E14	62	1	[ R ]				SPRING, BALL PLATE .....	G2	82	6
				RETAINER, IN. VALVE SPRING .....	D12	44	10	SPRING, BRAKE LEVER .....	F1	65	8
				RETAINER, VALVE SPRING .....	D12	44	10	SPRING, CABLE RETURN .....	F14	78	2
				RING SET, PISTON .....	D8	40	6	SPRING, CHOKE LEVER .....	F14	78	5
					D9	41	6	SPRING, CLUTCH .....	G2	82	10
				ROD ASSY., CONNECTING .....	D8	40	3	SPRING, CONTROL ADJUSTING .....	F9	73	17
				ROD, CHOKE .....	F8	72	9				
					F12	76	11	SPRING, CONTROL LEVER RETURN ..	F8	72	8
					F13	77	9	SPRING, GOVERNOR .....	F6	70	3
									F11	75	3
				ROD, GOVERNOR .....	F5	69	2		F13	77	3
					F6	70	2	SPRING, LEVER .....	F7	71	5
					F11	75	2		F11	75	5
					F13	77	2	SPRING, THROTTLE RETURN .....	F7	71	4
				ROD, STOP .....	F14	78	8		F11	75	4
				ROPE, RECOIL STARTER .....	D15	47	9		F13	77	4
				RUBBER, SUPPORTER .....	E1	49	1	SPRING, VALVE .....	D12	44	9
				[ S ]				STARTER ASSY., RECOIL .....	D14	46	1
				SCREW-WASHER, 4X12 .....	F1	65	15		D15	47	1
					F9	73	15		D16	48	12
					F12	76	20	STAY, FUEL PUMP .....	E7	55	17
				SCREW-WASHER, 5X10 .....	E5	53	10	SWITCH ASSY., COMBINATION .....	F4	68	3
				SCREW-WASHER, 5X14 .....	E7	55	24	SWITCH ASSY., ENGINE STOP .....	F1	65	6
				SCREW SET .....	E9	57	4		F9	73	14
									F12	76	13
									F13	77	11

# PART NAME INDEX

Part name	Address	Page	Ref.	Part name	Address	Page	Ref.	Part name	Address	Page	Ref.
[ T ]											
TUBE B, FUEL .....	E7	55	20								
TUBE, BREATHER .....	E12	60	1								
TUBE, DIAPHRAGM .....	E7	55	18								
TUBE, FUEL .....	E3	51	5								
	E7	55	32								
TUBE, FUEL TANK .....	E5	53	11								
	E7	55	19								
TUBE, FUEL, 5.3X135 .....	E5	53	11								
TUBE, FUEL, 5.3X150 .....	E5	53	11								
TUBE, VINYL, 11X13X100 .....	E7	55	30								
TUBE, VINYL, 9X11X210 .....	E7	55	29								
[ V ]											
VALVE, EX. ....	D12	44	8								
VALVE, FLOAT .....	E10	58	8								
VALVE, IN. ....	D12	44	7								
[ W ]											
WASHER, CONTROL LEVER .....	F11	75	6								
WASHER, DRAIN PLUG, 12MM .....	D6	38	25								
WASHER, EXTENSION LOCK .....	D5	37	6								
WASHER, PLAIN, 4MM .....	F2	66	16								
	F9	73	16								
	F12	76	22								
WASHER, PLAIN, 6MM .....	D6	38	21								
WASHER, THRUST .....	D7	39	5								
WASHER, THRUST, 6MM .....	D5	37	17								
WEIGHT, GOVERNOR .....	D5	37	10								
WRENCH COMP., SPARK PLUG .....	G1	81	12								

---

**1**

**FOREWORD INDEX**

---

**2**

**ENGINE GROUP**

---

**3**

**PART NUMBER INDEX**

---

**4**

**PART NAME INDEX**

---

**HONDA**  
The Power of Dreams



# PARTS CATALOGUE NEWS

Honda Motor Co., Ltd. Service Division

## PARTS CATALOGUE - CORRECTED

Printed in Japan

CODE NO.	BOOKLET TYPE	13ZM00E6
	MICRO-FICHE	13ZM00EF/FF
PARTS CATALOGUE NEWS	GCV135 GCV135E GCV160 GCV160A GCV135A GCV160E	
NEWS NO.	001	

Block No.	Ref. No.	Note	Part No.	Description	Reqd. QTY						Serial No.	Parts catalogue code
					GCV 135	GCV 135E	GCV 160	GCV 160A	GCV 135A	GCV 160E		
E-28	1	L	87101-ZM0-000	EMBLEM (GCV160 5.5) .....	-	-	1	1	-	1	-----	A1A, A1AF, A1E7, A1E8, A1G7, A1J, A2A, A2E7, A2E8 A2E9, A2G7, A2G9, N1A, N1AF, N1C, N1E7, N1W7, N2E7 N2E8, N2E9, N5A, N5AF, N5C, S1A, S1A1, S2E, S2E1
					-	-	1	1	-	-	-----	A2R
					-	-	1	-	-	-	-----	N1R
					-	-	1	-	-	-	----- 1212768	N2U
					-	-	1	-	-	-	2414991 2425659	N1W9
					-	-	-	1	-	1	-----	A1C, A2C, N1U, N1W9
		T	87101-ZM0-010	.....	-	-	1	-	-	1	-----	A1C, A2C, N1J1, N1U
					-	-	1	-	-	-	2425660	N1W9
					-	-	-	1	-	1	-----	A1AS, A1E, A1G9, A2A9, A3E, A3E7, E1A2, E1A4, E1G7 E2G7, E5A4, N1D, N1E1, N1E2, N1R, N1T8, N1T9, R1A R3A1, S1E1
					-	-	-	-	-	1	-----	A2R

NOTE A:PART NO. CHANGE D:NEWLY PROVIDED E:PART NO. DELETION K:REQUIRED NO. CORRECTION L:APPLICATION SERIAL NO. CORRECTION  
T:APPLICATION CORRECTION Z:REMARKS CHANGE



# PARTS CATALOGUE NEWS

Honda Motor Co., Ltd. Service Division

## PARTS CATALOGUE - CORRECTED

Printed in Japan

CODE NO.	BOOKLET TYPE	13ZM00E6
	MICRO-FICHE	13ZM00EF/FF
PARTS CATALOGUE NEWS		GCV135 GCV135E GCV160 GCV160A GCV135A GCV160E
NEWS NO.		002

Block No.	Ref. No.	Note	Part No.	Description	Reqd. QTY						Serial No.	Parts catalogue code
					GCV 135	GCV 135E	GCV 160	GCV 160A	GCV 135A	GCV 160E		
E-19	23	E	75110-ZOL-820	*PARTS NO. DELETION								
		A	75110-ZOL-821	BRAKE SUB ASSY. ....	-	-	-	1	-	-	-----	E1A2, E1G7, E2G7, R1A, R3A, R3A1

NOTE A:PART NO. CHANGE D:NEWLY PROVIDED E:PART NO.DELETION K:REQUIRED NO. CORRECTION L:APPLICATION SERIAL NO. CORRECTION  
T:APPLICATION CORRECTION Z:REMARKS CHANGE





# PARTS CATALOGUE NEWS

Honda Motor Co., Ltd. Service Division

## PARTS CATALOGUE - CORRECTED

Printed in Japan

CODE NO.	BOOKLET TYPE	13ZM00E6
	MICRO-FICHE	13ZM00EF/FF
PARTS CATALOGUE NEWS	GCV135 GCV135E GCV160 GCV160A GCV135A GCV160E	
NEWS NO.	003	

Block No.	Ref. No.	Note	Part No.	Description	Reqd. QTY						Serial No.	Parts catalogue code	
					GCV 135	GCV 135E	GCV 160	GCV 160A	GCV 135A	GCV 160E			
E-14	6	L	16029-ZG0-901	SCREW SET .....	1	-	1	-	1	-			
				(CARBURETOR NO.)	-	1	-	-	-	-	-----	BB64H A	A1A, A1AS, A1C, A1E, A1E7, A1E8, A1G7, A1G9, A1P A1W7, A2A, A2A9, A2C, A2E, A2E7, A2E8, A2E9, A2G A2G4, A2G7, A2G9, A2R, A3E, A3E7, A7E1, BHH EHHB, E1A2, E1A4, E1G7, E2G7, E5A4, N1A, N1C, N1D N1E, N1E1, N1E2, N1E7, N1G, N1J1, N1R, N1S N1S7, N1T8, N1T9, N1U, N1W, N1W7, N1W8 N1W9, N2E, N2E1, N2E3, N2E7, N2E8, N2E9 N2KA, N2U, N3U, N3V, N5A, N5C, N7A1, N7E1, N7E2
				(CARBURETOR NO.)	-	1	-	-	-	-	-----	BB64H A	S2E, S2E1
				(CARBURETOR NO.)	-	1	-	-	-	-	-----	BB62H A	A1AE, A1AF, A3A, N1AF, N5AF
	8		16155-ZM0-003	VALVE, FLOAT .....	1	-	1	-	1	-			
				(CARBURETOR NO.)	-	1	-	-	-	-	-----	BB64F A	A2G, N1G
				(CARBURETOR NO.)	-	1	-	-	-	-	-----	BB64F A	A1E, A1E7, A1E8, A1G9, A2E, A2E7, A2E8, A2E9, A2G4 A2G7, A2G9, A2R, N1E, N1S, N1S7, N1U, N1W, N1W7 N1W8, N2E, N2E1, N2E3, N2E7, N2E8, N2E9, N2KA
				(CARBURETOR NO.)	-	1	-	-	-	-	-----	BB64G A	A7E1, N7E1, N7E2
				(CARBURETOR NO.)	-	1	-	-	-	-	-----	BB64H A	S2E, S2E1

NOTE A:PART NO. CHANGE D:NEWLY PROVIDED E:PART NO. DELETION K:REQUIRED NO. CORRECTION L:APPLICATION SERIAL NO. CORRECTION  
T:APPLICATION CORRECTION Z:REMARKS CHANGE

PARTS CATALOGUE NEWS

BOOKNo. : 13ZM00E6

Block No.	Ref. No.	Note	Part No.	Description	Reqd. QTY						Serial No.	Parts catalogue code
					GCV	GCV	GCV	GCV	GCV	GCV		
					135	135E	160	160A	135A	160E		
				(CARBURETOR NO.)	-	-	-	1	-	1	----- BB62B D	A1A, A1AS, A1C, A1E, A1E7, A1E8, A1G7, A1G9, A1P A1W7, A2A, A2A9, A2C, A2E7, A2E8, A2E9, A2G4, A2G7 A2G9, A2R, A3E, A3E7, BHH, EHHB, E1A2, E1A4, E1G7 E2G7, E5A4, N1A, N1C, N1D, N1E1, N1E2, N1E7, N1J1 N1R, N1T8, N1T9, N1U, N1W7, N1W8, N1W9, N2E7, N2E8 N2E9, N2U, N3U, N3V, N5A, N5C
				(CARBURETOR NO.)	-	-	-	1	-	1	----- BB62F A	A7E1, N7A1
				(CARBURETOR NO.)	-	-	-	1	-	1	----- BB62G A	R1A, R3A, R3A1, STA1, S1A, S1A1, S1E1, S2E, S2E1, S3A
				(CARBURETOR NO.)	-	-	-	1	-	-	----- BB62H A	A1AE, A1AF, A3A, N1AF, N5AF
	A		16155-ZMO-013	.....	-	1	-	-	-	-	BB64F B -----	A1E, A1E7, A1E8, A1G9, A2E, A2E7, A2E8, A2E9, A2G4 A2G7, A2G9, A2R, N1E, N1S, N1S7, N1U, N1W, N1W7 N1W8, N2E, N2E1, N2E3, N2E7, N2E8, N2E9, N2KA
				(CARBURETOR NO.)	-	1	-	-	-	-	BB64G B -----	A7E1, N7E1, N7E2
				(CARBURETOR NO.)	-	1	-	-	-	-	BB64H B -----	S2E, S2E1
				(CARBURETOR NO.)	-	-	-	1	-	1	BB62B E -----	A1A, A1AS, A1C, A1E, A1E7, A1E8, A1G7, A1G9, A1P A1W7, A2A, A2A9, A2C, A2E7, A2E8, A2E9, A2G4, A2G7 A2G9, A2R, A3E, A3E7, BHH, EHHB, E1A2, E1A4, E1G7 E2G7, E5A4, N1A, N1C, N1D, N1E1, N1E2, N1E7, N1J1 N1R, N1T8, N1T9, N1U, N1W7, N1W8, N1W9, N2E7, N2E8 N2E9, N2U, N3U, N3V, N5A, N5C
				(CARBURETOR NO.)	-	-	-	1	-	1	BB62F B -----	A7E1, N7A1
				(CARBURETOR NO.)	-	-	-	1	-	1	BB62G B -----	R1A, R3A, R3A1, STA1, S1A, S1A1, S1E1, S2E, S2E1, S3A
				(CARBURETOR NO.)	-	-	-	1	-	-	BB62H B -----	A1AE, A1AF, A3A, N1AF, N5AF

NOTE A:PART NO. CHANGE D:NEWLY PROVIDED E:PART NO. DELETION K:REQUIRED NO. CORRECTION L:APPLICATION SERIAL NO. CORRECTION  
T:APPLICATION CORRECTION Z:REMARKS CHANGE



## PARTS CATALOGUE NEWS

Honda Motor Co., Ltd. Service Division

Printed in Japan

December 19, 2004

CODE NO.	BOOKLET TYPE	13ZM00E6
	MICRO- FICHE	13ZM00EF/FF
PARTS CATALOGUE TITLE	GCV135 GCV135E GCV160 GCV160A GCV135A GCV160E	
NEWS NO.	004	

### **GCV160A -NBL1,RTL1,STL1/GCV160E-A3W7,A3W8,N3T8,N3T9,N3W8,N3W9types sales parts information**

NOTE: This Parts Catalogue News explains only the parts of the different model that are produced to conform to addition of the GCV160A -NBL1,RTL1,STL1/GCV160E-A3W7,A3W8,N3T8,N3T9,N3W8,N3W9 types.

As for the parts not listed on this Parts Catalogue News, use the parts of the GCV160A -N1R,R1A,S1A/GCV160E-A1W7,N1T8,N1T9,N1W8,N1W9 types.

## PARTS CATALOGUE NEWS

BOOKNo. : 13ZM00E6

Model	Type		Parts catalogue type	Applicable engine serial No.	Applicable carburetor identification No.
GCV160A	N1R	Base model	N1R	GJAEA-1000001~	BB62B D
	NBL1	Additional model	NBL1		BB62B E
	R1A	Base model	R1A	GJAEA-8000001~	BB62G A
	RTL1	Additional model	RTL1	GJAEA-1000001~	BB62G B
	S1A	Base model	S1A		BB62G A
	STL1	Additional model	STL1		BB62G B
GCV160E	A1W7	Base model	A1W7	GJAAE-1000001~	BB62B D
	A3W7	Additional model	A3W7		BB62B E
	A1W7	Base model	A1W7		BB62B D
	A3W8	Additional model	A3W8		BB62B E
	N1T8	Base model	N1T8		BB62B D
	N3T8	Additional model	N3T8		BB62B E
	N1T9	Base model	N1T9		BB62B D
	N3T9	Additional model	N3T9		BB62B E
	N1W8	Base model	N1W8		BB62B D
	N3W8	Additional model	N3W8		BB62B E
	N1W9	Base model	N1W9		BB62B D
	N3W9	Additional model	N3W9		BB62B E

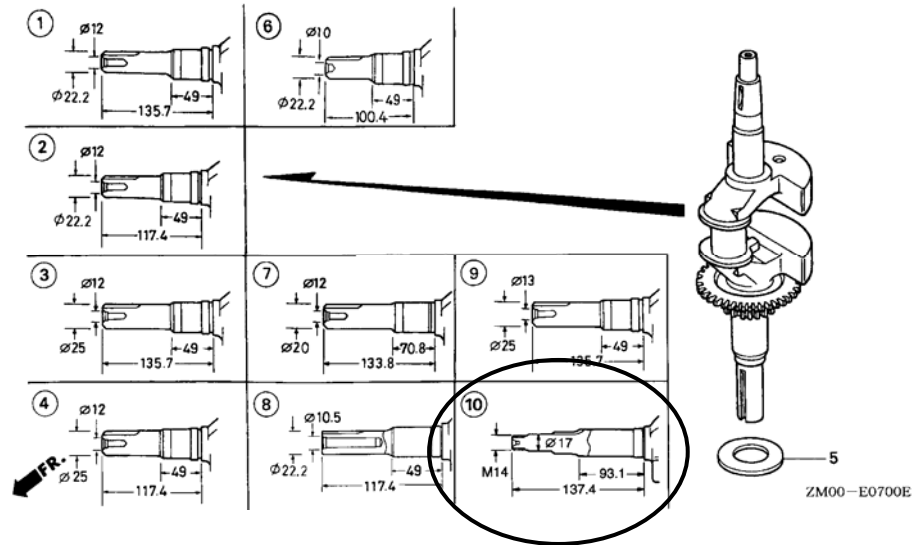
NOTE A:PART NO. CHANGE D:NEWLY PROVIDED E:PART NO. DELETION K:REQUIRED NO. CORRECTION L:APPLICATION SERIAL NO. CORRECTION  
T:APPLICATION CORRECTION Z:REMARKS CHANGE

PARTS CATALOGUE NEWS

BOOKNo. : 13ZM00E6

Block No.	Ref. No.	Part No.	Description	Reqd. QTY						Base Part No.	Parts catalogue code
				GCV	GCV	GCV	GCV	GCV	GCV		
				135	135E	160	160A	135A	160E		
E-6	1	11300-ZM0-405	PAN ASSY., OIL .....	-	-	-	1	-	-	11300-ZM0-406	NBL1
	2	15650-ZM0-801	GAUGE ASSY., OIL LEVEL .....	-	-	-	1	-	-		STL1
	3		PACKING, OIL FILLER CAP .....	-	-	-	0	-	-	15625-ZE1-003	STL1
	4	15625-ZE6-000	PACKING, OIL FILLER CAP .....	-	-	-	1	-	-		STL1
	5	15631-ZM0-000	EXTENSION, OIL FILLER .....	-	-	-	1	-	-		STL1
	6	15639-ZM0-000	WASHER, EXTENSION LOCK .....	-	-	-	1	-	-		STL1
	7		GAUGE ASSY., OIL LEVEL .....	-	-	-	0	-	-	15650-ZM0-003	STL1
	20	91303-KF0-003	O-RING, 14. 8X2. 4 (ARAI) .....	-	-	-	1	-	-		RTL1, STL1

E-7 CRANKSHAFT



E-7	1		CRANKSHAFT COMP. ....	-	-	-	0	-	0	13310-ZM0-000	
	3	13310-ZM0-610	CRANKSHAFT COMP. ....	-	-	-	-	-	1		
	9	13310-ZOL-V70	CRANKSHAFT COMP. ....	-	-	-	1	-	-		RTL1, STL1
	10	13310-ZOL-S20	CRANKSHAFT COMP. ....	-	-	-	1	-	-		NBL1

NOTE A:PART NO. CHANGE D:NEWLY PROVIDED E:PART NO.DELETION K:REQUIRED NO. CORRECTION L:APPLICATION SERIAL NO. CORRECTION  
T:APPLICATION CORRECTION Z:REMARKS CHANGE

## PARTS CATALOGUE NEWS

BOOKNo. : 13ZM00E6

Block No.	Ref. No.	Part No.	Description	Reqd. QTY						Base Part No.	Parts catalogue code	
				GCV	GCV	GCV	GCV	GCV	GCV			
				135	135E	160	160A	135A	160E			
E-8	6	13010-ZL8-003	RING SET, PISTON (RIKEN) .....	-	-	-	1	-	-	13010-ZL8-014	STL1	
		13010-ZL8-024	RING SET, PISTON (TEIKOKU) ...	-	-	-	1	-	-		STL1	
E-10	4	14431-Z0J-000	ARM, IN. VALVE ROCKER .....	-	-	-	1	-	1	14431-ZL8-000	A3W7, A3W8, N3W8, N3W9, STL1	
		5	14441-Z0J-000	ARM, EX. VALVE ROCKER .....	-	-	-	1	-	1	14441-ZL8-000	A3W7, A3W8, N3W8, N3W9, STL1
		7	14711-ZL8-000	VALVE, IN. ....	-	-	-	-	-	1	14711-Z0J-000	
		10	14771-Z0J-000	RETAINER, VALVE SPRING .....	-	-	-	2	-	-	14771-ZE1-000	STL1
E-11	1		STARTER ASSY., RECOIL (LONG ROPE)							28400-ZM0-632ZA		
			*NH1*..... BLACK	-	-	-	0	-	-			
			*YR288R*..... WOLF ORANGE	-	-	-	0	-	0	28400-ZM0-632ZC	A3W7, A3W8, N3W8, N3W9, RTL1	
			*R280*..... POWER RED	-	-	-	0	-	-	28400-ZM0-632ZD	NBL1, RTL1	
			28400-ZM0-633ZA	*NH1*..... BLACK	-	-	-	-	-	1	28400-ZM0-632ZA	A3W8, N3T8, N3T9, N3W9
			28400-ZM0-633ZC	*YR288R*..... WOLF ORANGE	-	-	-	-	-	1	28400-ZM0-632ZA	A3W7, N3W8
		8		GRIP, STARTER .....	-	-	-	0	-	-	28461-ZL8-003	
		9	28462-Z0L-V71	ROPE, RECOIL STARTER (LONG TYPE)	-	-	-	1	-	-	28462-ZL8-631	
		14	28400-Z0L-V72	STARTER ASSY., RECOIL .....	-	-	-	1	-	-		
		15	66871-KY2-700	NUT, UPPER COWL .....	-	-	-	3	-	-		
16	28461-Z0L-V71	KNOB, RECOIL STARTER .....	-	-	-	1	-	-				
E-12	2		COCK ASSY., FUEL .....	-	-	-	0	-	0	16950-ZG9-M03	A3W7, A3W8, N3W8, N3W9, RTL1, STL1	
		3	BRACKET, FUEL COCK .....	-	-	-	0	-	0	16956-ZG9-M00	A3W7, A3W8, N3W8, N3W9, RTL1, STL1	
		5	TUBE, FUEL .....	-	-	-	0	-	0	17702-ZM0-000	A3W7, A3W8, N3W8, N3W9, RTL1, STL1	
		6		COVER COMP., FAN							19610-ZM0-010ZC	
			*Y166R*..... WOLF YELLOW	-	-	-	-	-	0		A3W7, A3W8, N3W8, N3W9	
			*R280*..... POWER RED	-	-	-	0	-	-	19610-Z0L-000ZD	NBL1	
	*R280*..... POWER RED	-	-	-	0	-	-	19610-Z0L-830ZB	RTL1			

NOTE A:PART NO. CHANGE D:NEWLY PROVIDED E:PART NO.DELETION K:REQUIRED NO. CORRECTION L:APPLICATION SERIAL NO. CORRECTION  
T:APPLICATION CORRECTION Z:REMARKS CHANGE

## PARTS CATALOGUE NEWS

BOOKNo. : 13ZM00E6

Block No.	Ref. No.	Part No.	Description	Reqd. QTY						Base Part No.	Parts catalogue code
				GCV	GCV	GCV	GCV	GCV	GCV		
				135	135E	160	160A	135A	160E		
			*T89*..... CRAFTSMAN RED	-	-	-	0	-	-	19610-ZOL-830ZC	RTL1
			*T90*..... EHP ORANGE	-	-	-	0	-	-	19610-ZOL-830ZD	RTL1
			*Y166R*..... WOLF YELLOW	-	-	-	0	-	-	19610-ZOL-830ZE	RTL1
		19610-Z1L-000ZA	*NH1*..... BLACK	-	-	-	-	-	1	19610-ZMO-010ZA	A3W8, N3W9
		19610-Z1L-000ZC	*Y166R*..... WOLF YELLOW	-	-	-	-	-	1	19610-ZMO-010ZA	A3W7, N3W8
	11	95001-55150-40	TUBE, FUEL, 5.3X150 (95001-55001-60M)	-	-	-	1	-	-	17701-ZOL-000	RTL1, STL1
	14		CLIP, TUBE (C9) .....	-	-	-	0	-	0	95002-50000	A3W7, A3W8, N3W8, N3W9, RTL1, STL1
	31	16950-ZMO-003	COCK ASSY., FUEL .....	-	-	-	1	-	1		A3W7, A3W8, N3W8, N3W9, RTL1, STL1
	32	17702-ZMO-800	TUBE, FUEL .....	-	-	-	1	-	1		A3W7, A3W8, N3W8, N3W9, RTL1, STL1
	33	95002-02080	CLIP, TUBE (B8) .....	-	-	-	1	-	1		A3W7, A3W8, N3W8, N3W9, RTL1, STL1
E-14	7	16100-ZMO-804	CARBURETOR ASSY. (BB62B E) ...	-	-	-	1	-	-	16100-ZMO-803	NBL1
				-	-	-	-	-	1		
		16100-ZOL-802	CARBURETOR ASSY. (BB62G B) ...	-	-	-	1	-	-	16100-ZOL-801	RTL1, STL1
	8	16155-ZMO-013	VALVE, FLOAT .....	-	-	-	1	-	1	16155-ZMO-013	
E-15	2	17211-ZL8-013	ELEMENT, AIR CLEANER .....	-	-	-	1	-	1	17211-ZL8-003	
	6	17231-ZOL-030	COVER, AIR CLEANER .....	-	-	-	1	-	1	17231-ZOL-020	
E-16	2	18321-ZOL-J00	PROTECTOR, MUFFLER .....	-	-	-	1	-	-	18321-ZL8-000	STL1
		18321-ZOL-J00	.....	-	-	-	1	-	-	18321-ZOL-000	NBL1, RTL1
	9	18350-ZL8-000	ARRESTER COMP., SPARK .....	-	-	-	(1)	-	1		A3W7, A3W8, NBL1, N3W8, N3W9
	10	18356-ZL8-000	PLATE, ARRESTER NUMBER .....	-	-	-	(1)	-	-		NBL1
	11	90055-ZE1-000	SCREW, TAPPING, 4X6 .....	-	-	-	(1)	-	1		A3W7, A3W8, NBL1, N3W8, N3W9
E-19	1		KEY, SPECIAL WOODRUFF, 25X18 .	-	-	-	0	-	-	13331-357-000	NBL1, STL1
	2		PLATE, SIDE .....	-	-	-	0	-	-	19612-ZMO-J20	NBL1

NOTE A:PART NO. CHANGE D:NEWLY PROVIDED E:PART NO.DELETION K:REQUIRED NO. CORRECTION L:APPLICATION SERIAL NO. CORRECTION  
T:APPLICATION CORRECTION Z:REMARKS CHANGE

PARTS CATALOGUE NEWS

BOOKNo. : 13ZMO0E6

Block No.	Ref. No.	Part No.	Description	Reqd. QTY						Base Part No.	Parts catalogue code
				GCV	GCV	GCV	GCV	GCV	GCV		
				135	135E	160	160A	135A	160E		
	3		COIL ASSY., IGNITION (PHELON) (USE FOR F/W OF PHELON)	-	-	-	0	-	-	30500-Z0J-003	NBL1, STL1
	4		FLYWHEEL ASSY. (PHELON) (USE FOR IGN. COIL OF PHELON)	-	-	-	0	-	-	31105-Z0L-000	STL1
			.....	-	-	-	0	-	-	31105-Z0L-010	NBL1
	5		CORD, STOP SWITCH .....	-	-	-	0	-	-	32195-ZM0-800	STL1
			.....	-	-	-	0	-	-	32195-Z0L-820	RTL1
	6		SWITCH ASSY., ENGINE STOP (N. C)	-	-	-	0	-	-	35120-ZM0-003	STL1
	8		SPRING, BRAKE LEVER .....	-	-	-	0	-	-	75113-ZM0-000	STL1
	9		BOLT, FLANGE, 6X12 (CT200) ....	-	-	-	0	-	-	90013-883-000	NBL1
	10		BOLT, FLANGE, 6X14 (CT200) ....	-	-	-	0	-	-	90014-952-000	STL1
	11		BOLT, FLANGE, 6X23 (CT200) ....	-	-	-	0	-	-	90018-ZE1-000	STL1
	12		BOLT, FLANGE, 6X20 (CT200) ....	-	-	-	0	-	-	90022-888-010	NBL1, STL1
	13		NUT, SPECIAL, 14MM .....	-	-	-	0	-	-	90201-878-003	NBL1, STL1
	14		CLIP A, CABLE (NIFCO) .....	-	-	-	0	-	-	90681-959-003	RTL1, STL1
	15		SCREW-WASHER, 4X12 .....	-	-	-	0	-	-	93892-04012-00	STL1
	16		WASHER, PLAIN, 4MM .....	-	-	-	0	-	-	94103-04000	STL1
	18		CORD, STOP SWITCH .....	-	-	-	0	-	-	32195-ZM0-800	NBL1
	19		CLIP A, CABLE (NIFCO) .....	-	-	-	0	-	-	90681-959-003	NBL1
	20		GROMMET A, RR. COVER .....	-	-	-	0	-	-	11344-MB0-000	STL1
	21		BRAKE SUB ASSY. ....	-	-	-	0	-	-	75110-Z0L-800	STL1

NOTE A:PART NO. CHANGE D:NEWLY PROVIDED E:PART NO.DELETION K:REQUIRED NO. CORRECTION L:APPLICATION SERIAL NO. CORRECTION  
T:APPLICATION CORRECTION Z:REMARKS CHANGE



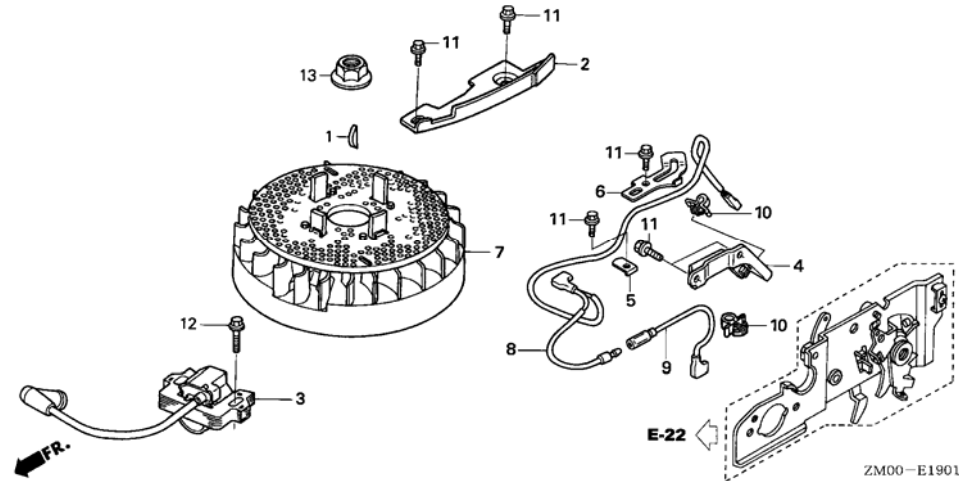
PARTS CATALOGUE NEWS

BOOKNo. : 13ZM00E6

Block No.	Ref. No.	Part No.	Description	Reqd. QTY						Base Part No.	Parts catalogue code
				GCV	GCV	GCV	GCV	GCV	GCV		
				135	135E	160	160A	135A	160E		

E-19-1 FLYWHEEL (2)

Ref. No.	LON	(Relative ref. Number) Service item	F. R. T.
2	1121A7	PLATE, SIDE .....	0.3
3	6141A5	COIL, IGNITION .....	0.2
7	2161B5	FLYWHEEL .....	0.3
8	6111B3	CORD, STOP SWITCH .....	0.1



ZM00-E1901

E-19-1	1	13331-357-000	KEY, SPECIAL WOODRUFF, 25X18 .	-	-	-	1	-	-	NBL1
	2	19612-ZM0-J20	PLATE, SIDE .....	-	-	-	1	-	-	NBL1
	3	30500-Z0J-003	COIL ASSY., IGNITION (PHELON) (USE FOR F/W OF PHELON)	-	-	-	1	-	-	NBL1
	4	30547-Z0L-S00	CLAMPER, STOP SWITCH CORD ....	-	-	-	1	-	-	NBL1
	5	30548-ZL8-000	CLAMPER, STOP SWITCH CORD ....	-	-	-	1	-	-	NBL1
	6	30549-ZL8-000	CLAMPER, CORD .....	-	-	-	1	-	-	NBL1
	7	31105-Z0J-010	FLYWHEEL ASSY. (PHELON) (USE FOR IGN. COIL OF PHELON)	-	-	-	1	-	-	NBL1
	8	32195-Z0L-S20	CORD, STOP SWITCH .....	-	-	-	1	-	-	NBL1
	9	32196-Z0L-S20	CORD, STOP SWITCH .....	-	-	-	1	-	-	NBL1
	10	51125-Z0L-003	HOLDER, WIRE (FASTEX) .....	-	-	-	2	-	-	NBL1
		90681-959-003	CLIP A, CABLE (NIFCO) .....	-	-	-	2	-	-	NBL1

NOTE A:PART NO. CHANGE D:NEWLY PROVIDED E:PART NO.DELETION K:REQUIRED NO. CORRECTION L:APPLICATION SERIAL NO. CORRECTION  
T:APPLICATION CORRECTION Z:REMARKS CHANGE

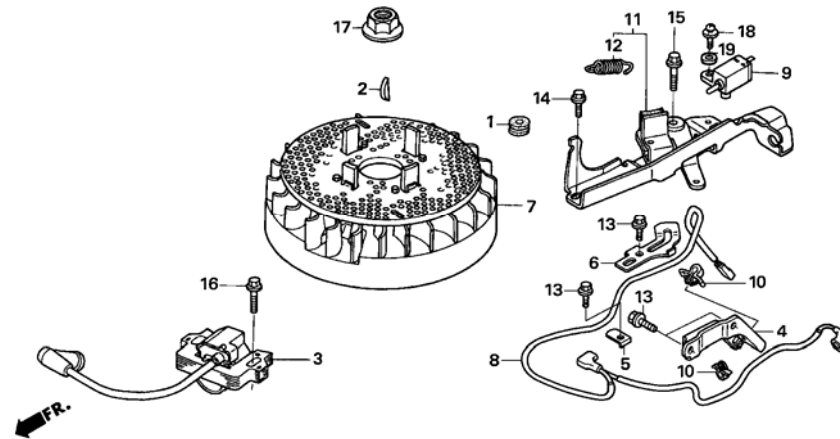
PARTS CATALOGUE NEWS

BOOKNo. : 13ZM00E6

Block No.	Ref. No.	Part No.	Description	Reqd. QTY						Base Part No.	Parts catalogue code
				GCV	GCV	GCV	GCV	GCV	GCV		
				135	135E	160	160A	135A	160E		
	11	90013-883-000	BOLT, FLANGE, 6X12 (CT200) ....	-	-	-	6	-	-	NBL1	
	12	90022-888-010	BOLT, FLANGE, 6X20 (CT200) ....	-	-	-	1	-	-	NBL1	
	13	90201-878-003	NUT, SPECIAL, 14MM .....	-	-	-	1	-	-	NBL1	

E-19-2 FLYWHEEL (3)

Ref. No.	(Relative ref. Number) LON Service item	F. R. T.
3	6141A5 COIL, IGNITION .....	0.2
7	2161B5 FLYWHEEL .....	0.3
8	6111B3 CORD, STOP SWITCH .....	0.1
9	6151D9 SWITCH, ENGINE STOP .....	0.1
11	2161K1 BRAKE, ENGINE STOP .....	0.3
12	4151E0 SPRING, BRAKE LEVER .....	0.2



ZM00-E1902

E-19-2	1	11344-MB0-000	GROMMET A, RR. COVER .....	-	-	-	1	-	-	STL1
	2	13331-357-000	KEY, SPECIAL WOODRUFF, 25X18 .	-	-	-	1	-	-	STL1
	3	30500-ZL8-004	COIL ASSY., IGNITION (TEC) (USE FOR F/W OF TEC)	-	-	-	1	-	-	STL1
	4	30547-ZOL-S00	CLAMPER, STOP SWITCH CORD ....	-	-	-	1	-	-	STL1
	5	30548-ZL8-000	CLAMPER, STOP SWITCH CORD ....	-	-	-	1	-	-	STL1
	6	30549-ZL8-000	CLAMPER, CORD .....	-	-	-	1	-	-	STL1
	7	31105-ZM0-000	FLYWHEEL ASSY. (TEC) (USE FOR IGN. COIL OF TEC)	-	-	-	1	-	-	STL1
	8	32195-ZOL-S00	CORD, STOP SWITCH .....	-	-	-	1	-	-	STL1

NOTE A:PART NO. CHANGE D:NEWLY PROVIDED E:PART NO.DELETION K:REQUIRED NO. CORRECTION L:APPLICATION SERIAL NO. CORRECTION  
T:APPLICATION CORRECTION Z:REMARKS CHANGE

## PARTS CATALOGUE NEWS

BOOKNo. : 13ZM00E6

Block No.	Ref. No.	Part No.	Description	Reqd. QTY						Base Part No.	Parts catalogue code
				GCV	GCV	GCV	GCV	GCV	GCV		
				135	135E	160	160A	135A	160E		
9		35120-ZM0-003	SWITCH ASSY., ENGINE STOP (N. C)	-	-	-	1	-	-		STL1
10		51125-Z0L-003	HOLDER, WIRE (FASTEX) .....	-	-	-	2	-	-		STL1
		90681-959-003	CLIP A, CABLE (NIFCO) .....	-	-	-	2	-	-		STL1
11		75110-Z0L-800	BRAKE SUB ASSY. ....	-	-	-	1	-	-		STL1
12		75113-ZM0-000	SPRING, BRAKE LEVER .....	-	-	-	1	-	-		STL1
13		90013-883-000	BOLT, FLANGE, 6X12 (CT200) ....	-	-	-	4	-	-		STL1
14		90014-952-000	BOLT, FLANGE, 6X14 (CT200) ....	-	-	-	1	-	-		STL1
15		90018-ZE1-000	BOLT, FLANGE, 6X23 (CT200) ....	-	-	-	1	-	-		STL1
16		90022-888-010	BOLT, FLANGE, 6X20 (CT200) ....	-	-	-	1	-	-		STL1
17		90201-878-003	NUT, SPECIAL, 14MM .....	-	-	-	1	-	-		STL1
18		93892-04012-00	SCREW-WASHER, 4X12 .....	-	-	-	1	-	-		STL1
19		94103-04000	WASHER, PLAIN, 4MM .....	-	-	-	1	-	-		STL1

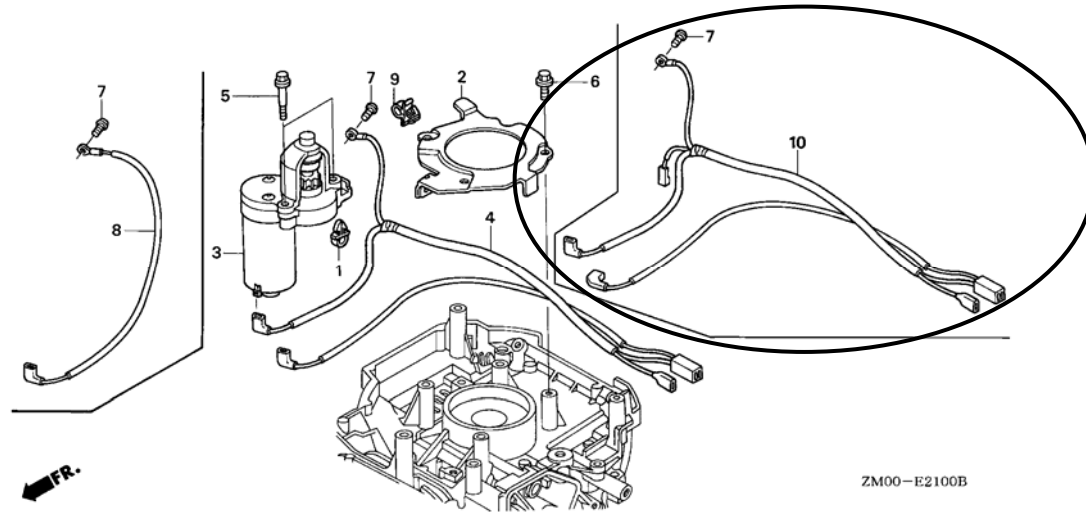
NOTE A:PART NO. CHANGE D:NEWLY PROVIDED E:PART NO.DELETION K:REQUIRED NO. CORRECTION L:APPLICATION SERIAL NO. CORRECTION  
T:APPLICATION CORRECTION Z:REMARKS CHANGE

PARTS CATALOGUE NEWS

BOOKNo. : 13ZM00E6

Block No.	Ref. No.	Part No.	Description	Reqd. QTY						Base Part No.	Parts catalogue code
				GCV 135	GCV 135E	GCV 160	GCV 160A	GCV 135A	GCV 160E		

E-21 STARTER MOTOR



E-21	4		CORD, TERMINAL EARTH .....	-	-	-	0	-	-	32222-Z0L-820	RTL1
	6	90013-883-000	BOLT, FLANGE, 6X12 (CT200) ....	-	-	-	3	-	-	90013-883-000	RTL1
	9	90681-959-003	CLIP A, CABLE (NIFCO) .....	-	-	-	1	-	-		RTL1
	10	32222-Z0L-S10	CORD, TERMINAL EARTH .....	-	-	-	1	-	-		RTL1
E-22	6		HOLDER, CABLE .....	-	-	-	-	-	0	16576-891-000	A3W7, A3W8, N3W8, N3W9
	7	16580-ZM0-J22	BASE COMP., CONTROL .....	-	-	-	1	-	-	16580-ZM0-V90	NBL1
		16580-ZM0-871	.....	-	-	-	-	-	1	16580-ZM1-J41	A3W7, A3W8
	17		SPRING, CONTROL ADJUSTING ....	-	-	-	0	-	-	16584-883-300	NBL1
	19		SCREW, PAN, 5X28 .....	-	-	-	0	-	-	93500-05028-0A	NBL1
	24	16617-VG3-000	HOLDER, CABLE .....	-	-	-	-	-	1		A3W7, A3W8, N3W8, N3W9
E-27	1	16613-883-610	GROMMET, CHOKE ROD .....	-	-	-	2	-	-		

NOTE A:PART NO. CHANGE D:NEWLY PROVIDED E:PART NO.DELETION K:REQUIRED NO. CORRECTION L:APPLICATION SERIAL NO. CORRECTION  
T:APPLICATION CORRECTION Z:REMARKS CHANGE



PARTS CATALOGUE NEWS

BOOKNo. : 13ZM00E6

Block No.	Ref. No.	Part No.	Description	Reqd. QTY						Base Part No.	Parts catalogue code
				GCV	GCV	GCV	GCV	GCV	GCV		
				135	135E	160	160A	135A	160E		
	19		LABEL, E-SPEC (15.5X27.5) ....	-	-	-	0	-	-	87135-ZE2-020	NBL1
				-	-	-	-	-	0		

NOTE A:PART NO. CHANGE D:NEWLY PROVIDED E:PART NO.DELETION K:REQUIRED NO. CORRECTION L:APPLICATION SERIAL NO. CORRECTION  
T:APPLICATION CORRECTION Z:REMARKS CHANGE



# PARTS CATALOGUE NEWS

Honda Motor Co., Ltd. Service Division

## PARTS CATALOGUE - CORRECTED

Printed in Japan

CODE NO.	BOOKLET TYPE	13ZM00E6
	MICRO- FICHE	13ZM00EF/FF
PARTS CATALOGUE TITLE	GCV135 GCV135E GCV160 GCV160A GCV135A GCV160E	
NEWS NO.	005	

Block No.	Ref. No.	Note	Part No.	Description	Reqd. QTY						Serial No.	Parts catalogue code	
					GCV 135	GCV 135E	GCV 160	GCV 160A	GCV 135A	GCV 160E			
E-11	1	T	28400-ZM0-013ZA	STARTER ASSY., RECOIL *NH1*. . . . . BLACK	1	-	1	-	-	-	-----	-----	N1E7, N1J1, N2E7, N2E8
					1	-	-	-	-	-	-----	1614891	A2R
					1	-	-	-	-	-	1126302	-----	N1D, N1E, N1E1, N1U, N2D, N2E, N2E1, N2E2, N2E3, N2U
					-	-	1	-	-	-	-----	-----	N2E9
					-	-	1	-	-	-	-----	2146956	A2R
	T	28400-ZL8-013ZA	*NH1*. . . . . BLACK	1	-	1	-	-	-	-----	-----	A7E1, N3V, N7A1, N7E1, N7E2	
				1	-	-	-	-	-	1614892	-----	A2R	
				-	-	1	-	-	-	2146957	-----	A2R	
				-	-	-	-	1	-				
				-	-	-	-	-	1	-			
E	28400-ZL8-013ZC	*PARTS NO. DELETION											
T	28400-ZM0-013ZC	*R280*. . . . . POWER RED	1	-	-	-	-	-	1623805	-----	N2E, N2E7, N2E9, N2U		
			-	-	1	-	-	-	2424488	-----	N1E2, N1U, N2E, N2E3, N2E7, N2E9, N2U, N3V		

NOTE A:PART NO. CHANGE D:NEWLY PROVIDED E:PART NO. DELETION K:REQUIRED NO. CORRECTION L:APPLICATION SERIAL NO. CORRECTION  
T:APPLICATION CORRECTION Z:REMARKS CHANGE

PARTS CATALOGUE NEWS

BOOKNo. : 13ZM00E6

Block No.	Ref. No.	Note	Part No.	Description	Reqd. QTY						Serial No.	Parts catalogue code	
					GCV	GCV	GCV	GCV	GCV	GCV			
					135	135E	160	160A	135A	160E			
		A	28400-ZMO-023ZA	*NH1*..... BLACK	-	1	-	1	-	1	-----	-----	N1D, N1E, N1E1, N1E2, N1E7, N1J1, N1U, N2E, N2E1 N2E3, N2E7, N2E8, N2U
					-	-	-	1	-	1	-----	-----	N2E9
		T	28400-ZMO-632ZA	STARTER ASSY., RECOIL (LONG ROPE) *NH1*..... BLACK	1	-	1	-	-	-	-----	-----	A1E7, A1E8, A1G7, A2E4, A2E7, A2E8, A2E9, A2G7, N1S N1S7, N1W, N1W7, N1W9, N3U
					1	-	-	-	-	-	1126302	-----	A1A, A1C, A1D, A1E, A1E1, A1J, A1U, A2A, A2C, A2D A2E, A2E1, A2U, A3E, A4E
					-	-	1	-	-	-	-----	-----	N1W8
					-	-	1	-	-	-	1297892	-----	A1A, A1C, A1E, A1J, A1U, A2A, A2C, A2E, A2U, A3E, A4E N1, N2
		T	28400-ZMO-632ZC	*YR288*..... WOLF ORANGE	1	-	1	-	-	-	-----	-----	A1W2, A1W7, N1W1, N1W2, N1W8, N1W9
		A	28400-ZL8-023ZA	STARTER ASSY., RECOIL *NH1*..... BLACK	-	1	-	1	-	1	-----	-----	A2R, A7E1, E1A4, E5A4, N1A, N1AF, N1C, N5A, N5AF N5C, N7A1, N7E1, N7E2
		D	28400-ZL8-023ZC	*R280*..... POWER RED	-	1	-	-	-	1	-----	-----	A2R
					-	-	-	1	-	-	-----	-----	E1A4, E5A4
		A	28400-ZMO-023ZC	*R280*..... POWER RED	-	1	-	1	-	1	-----	-----	N1D, N1E, N1E1, N1E2, N1J1, N2E, N2E3, N2E7, N2E9 N3V
					-	1	-	-	-	1	-----	-----	N1E7, N1U, N2E8
		T	28400-ZMO-632ZD	STARTER ASSY., RECOIL (LONG ROPE) *R280*..... POWER RED	1	-	1	-	-	-	-----	-----	A2G, N3U
					1	-	-	-	-	-	-----	-----	A1E, A1E7, A1E8, A2E, A2E4, A2E7, A2E8, A2E9, A2G7
					-	-	1	-	-	-	2425100	-----	A1E, A1E7, A1E8, A1P, A2E, A2E4, A2E7, A2E8, A2E9 A2G7, N1R
		A	28400-ZMO-633ZA	*NH1*..... BLACK	-	1	-	1	-	1	-----	-----	A1A, A1AE, A1AF, A1AS, A1C, A1E, A1E7, A1E8, A1G7 A1P, A2A, A2C, A2E, A2E7, A2E8, A2E9, A2G7, A3A A3E, A3E7, A3W8, BHH, EHHB, E1A2, E1G7, E2G7, N1R N1S, N1S7, N1T8, N1T9, N1W, N1W7, N3T8, N3T9 N2KA, N3W9, N3U, R1A, R3A, S1A, S2E, S3A

NOTE A:PART NO. CHANGE D:NEWLY PROVIDED E:PART NO.DELETION K:REQUIRED NO. CORRECTION L:APPLICATION SERIAL NO. CORRECTION  
T:APPLICATION CORRECTION Z:REMARKS CHANGE



PARTS CATALOGUE NEWS

BOOKNo. : 13ZM00E6

Block No.	Ref. No.	Note	Part No.	Description	Reqd. QTY						Serial No.	Parts catalogue code		
					GCV	GCV	GCV	GCV	GCV	GCV				
					135	135E	160	160A	135A	160E				
					-	-	-	-	-	-	1	-----	-----	A1W7, N1W8, N1W9
		A	28400-ZM0-633ZC	*YR288R*..... WOLF ORANGE	-	1	-	1	-	1		-----	-----	A1W7, A3W7, E1G7, E2G7, N1W8, N1W9, N3W8, R1A, R3A
					-	-	-	-	-	1		-----	-----	N1W7
		A	28400-ZM0-633ZD	*R280*..... POWER RED	-	1	-	1	-	1		-----	-----	A1E, A1E7, A1E8, A1P, A2E, A2E7, A2E8, A2E9, A2G7 A3E, EHHB, E1A2, E1G7, E2G7, N1R, N3U, R1A, R3A
					-	-	-	-	-	1		-----	-----	N1W7
E-12	6	D	19610-ZOL-000ZF	COVER COMP., FAN *T93*..... HUSQVARNA GRAY	-	-	-	1	-	-		-----	-----	BHH
		D	19610-ZOL-800ZD	*T93*..... HUSQVARNA GRAY	-	-	-	1	-	-		-----	-----	S3A

NOTE A:PART NO. CHANGE D:NEWLY PROVIDED E:PART NO.DELETION K:REQUIRED NO. CORRECTION L:APPLICATION SERIAL NO. CORRECTION  
T:APPLICATION CORRECTION Z:REMARKS CHANGE



# PARTS CATALOGUE NEWS

Honda Motor Co., Ltd. Service Division

## PARTS CATALOGUE - CORRECTED

Printed in Japan

CODE NO.	BOOKLET TYPE	13ZM00E6
	MICRO- FICHE	13ZM00EF/FF
PARTS CATALOGUE TITLE	GCV135 GCV135E GCV160 GCV160A GCV135A GCV160E	
NEWS NO.	006	

Block No.	Ref. No.	Note	Part No.	Description	Reqd. QTY						Serial No.	Parts catalogue code
					GCV 135	GCV 135E	GCV 160	GCV 160A	GCV 135A	GCV 160E		
E-12	2	L	16950-ZG9-M03	COCK ASSY., FUEL .....	1	-	-	-	-	-	----- 1623712	A1A, A1C, A1E, A1E7, A1E8, A2A, A2C, A2E, A2E4, A2E7 A2E8, A2E9, A2G, A2G7, A2R, A7E1, N1D, N1G, N1S N1S7, N1U, N1W, N1W1, N1W7, N1W8, N2E, N2E1, N2E7 N2E8, N2E9, N2U, N7E1, N7E2
					-	1	-	1	-	1	-----	A1A, A1AE, A1AF, A1AS, A1C, A1E7, A1E8, A1G7, A1W7 A2A, A2C, A2E, A2E7, A2E8, A2E9, A2G7, A2G9, A3A A7E1, BHH, E1G7, E2G7, N1A, N1AF, N1C, N1E, N1E7 N1S, N1S7, N1W, N1W7, N1W8, N1W9, N2E, N2E1, N2E3 N2E7, N2E8, N2E9, N2U, N3V, N5A, N5AF, N5C, N7A1 N7E1, N7E2, R1A, R3A, R3A1, STA1, S1A, S1A1, S3A
					-	1	-	-	-	-	-----	A1E, A1G9
					-	-	1	-	-	-	----- 2439088	A1A, A1C, A1E, A1E7, A1E8, A1G7, A1P, A1W2, A1W7 A2A, A2C, A2E, A2E4, A2E7, A2E8, A2E9, A2G7, A2R A3E, A7E1, N1, N1D, N1E1, N1E2, N1E7, N1R, N1U, N1W N1W1, N1W2, N1W7, N1W8, N1W9, N2, N2E, N2E1, N2E3 N2E7, N2E8, N2E9, N2U, N3U, N3V, N7A1
					-	-	-	1	-	-	-----	A2R, N1U
					-	-	-	-	1	-	-----	

NOTE A:PART NO. CHANGE D:NEWLY PROVIDED E:PART NO. DELETION K:REQUIRED NO. CORRECTION L:APPLICATION SERIAL NO. CORRECTION  
T:APPLICATION CORRECTION Z:REMARKS CHANGE

PARTS CATALOGUE NEWS

BOOKNo. : 13ZM00E6

Block No.	Ref. No.	Note	Part No.	Description	Reqd. QTY						Serial No.	Parts catalogue code	
					GCV	GCV	GCV	GCV	GCV	GCV			
					135	135E	160	160A	135A	160E			
	31	L	16950-ZM0-003	COCK ASSY., FUEL .....	1	-	-	-	-	-	1623713	-----	A1A, A1C, A1E, A1E7, A1E8, A2A, A2C, A2E, A2E4, A2E7 A2E8, A2E9, A2G, A2G7, A2R, A7E1, N1D, N1G, N1S N1S7, N1U, N1W, N1W1, N1W7, N1W8, N2E, N2E1, N2E7 N2E8, N2E9, N2U, N7E1, N7E2
					-	1	-	1	-	1	-----	-----	A2G4, N1E1, N1R, N2KA
					-	1	-	-	-	1	-----	-----	A2R, N1U
					-	-	1	-	-	1	-----	-----	N1J1
					-	-	1	-	-	-	2439089	-----	A1A, A1C, A1E, A1E7, A1E8, A1G7, A1P, A1W2, A1W7 A2A, A2C, A2E, A2E4, A2E7, A2E8, A2E9, A2G7, A2R A3E, A7E1, N1, N1D, N1E1, N1E2, N1E7, N1R, N1U, N1W N1W1, N1W2, N1W7, N1W8, N1W9, N2, N2E, N2E1, N2E3 N2E7, N2E8, N2E9, N2U, N3U, N3V, N7A1
					-	-	-	1	-	1	-----	-----	A1E, A1G9, A1P, A2A9, A3E, A3E7, A3W7, A3W8, EHHB E1A2, E1A4, E5A4, NBL1, N1D, N1E2, N1T8, N1T9, N3T8 N3T9, N3U, N3W8, N3W9, RTL1, STL1, S1E1
E-28	2	L	87101-ZM1-000	EMBLEM (GCV135 4.5) .....	1	1	-	-	-	-	-----	-----	A1D, A1E1, A1J, A1U, A2D, A2E1, A2G9, A2U, A3E, A4E N1E, N1E1, N2D, N2E2, N2E3, S2E, S2E1
					1	-	-	-	-	-	-----	1094954	N2U
					1	-	-	-	-	-	-----	1623909	A1A, A1C, A1E, A1E7, A1E8, A2A, A2C, A2E, A2E4, A2E7 A2E8, A2E9, A2G7, A2R, N1D, N1U, N1W, N1W7, N2E N2E1, N2E7, N2E8, N2E9
					-	1	-	-	-	-	-----	-----	A1E, A1E7, A1E8, A2E, A2E7, A2E8, A2E9, A2G7, N1W N1W7, N2E, N2E1, N2E7, N2E8, N2E9
					-	-	-	-	1	-	-----	-----	

NOTE A:PART NO. CHANGE D:NEWLY PROVIDED E:PART NO.DELETION K:REQUIRED NO. CORRECTION L:APPLICATION SERIAL NO. CORRECTION  
T:APPLICATION CORRECTION Z:REMARKS CHANGE



# PARTS CATALOGUE NEWS

Honda Motor Co., Ltd. Service Division

## PARTS CATALOGUE - CORRECTED

Printed in Japan

CODE NO.	BOOKLET TYPE	13ZM00E6
	MICRO-FICHE	13ZM00EF/FF
PARTS CATALOGUE TITLE	GCV135 GCV135E GCV160 GCV160A GCV135A GCV160E	
NEWS NO.	007	

Block No.	Ref. No.	Note	Part No.	Description	Reqd. QTY						Serial No.	Parts catalogue code	
					GCV 135	GCV 135E	GCV 160	GCV 160A	GCV 135A	GCV 160E			
E-12	6	T	19610-ZM0-010ZB	COVER COMP., FAN	-	-	1	-	-	-	-----	2424487	A1E7, A1E8, A2E4, A2E7, A2E8, A2E9, A2G7, N1R, N2E7 N2E9
				*R8*..... BRIGHT RED	-	-	1	-	-	-	1417475	2424487	A1E, A2E, N1U, N2E, N2E3, N2U, N3V
					-	-	-	-	-	1	-----	-----	A2G9
		T	19610-ZM0-010ZD	*R280*..... POWER RED	-	-	1	-	-	-	-----	-----	N3U
					-	-	1	-	-	-	2424488	-----	A1E, A1E7, A1E8, A2E, A2E4, A2E7, A2E8, A2E9, A2G7 N1E2, N1R, N1U, N2E, N2E3, N2E7, N2E9, N2U, N3V
					-	-	-	-	-	1	-----	-----	A1E7, A1E8, A2E7, A2E8, A2E9, A2G7, N1E7, N2E7 N2E8, N2E9
E-15	6	E	17231-ZOL-010	*PARTS NO. DELETION									
		T	17231-ZOL-020	*PARTS NO. DELETION									

NOTE A:PART NO. CHANGE D:NEWLY PROVIDED E:PART NO. DELETION K:REQUIRED NO. CORRECTION L:APPLICATION SERIAL NO. CORRECTION  
T:APPLICATION CORRECTION Z:REMARKS CHANGE

PARTS CATALOGUE NEWS

BOOKNo. : 13ZM00E6

Block No.	Ref. No.	Note	Part No.	Description	Reqd. QTY						Serial No.	Parts catalogue code	
					GCV	GCV	GCV	GCV	GCV	GCV			
					135	135E	160	160A	135A	160E			
		T	17231-ZOL-030	.....	-	1	-	1	-	-	-----	-----	A1A, A1AE, A1AF, A1AS, A1E, A1E7, A1E8, A1G9, A1W7 A2A, A2E, A2E7, A2E8, A2E9, A2G4, A2G7, A2G9, A2R A3A, A3E, A7E1, BHH, EHBB, E1A2, E1A4, E1G7, E2G7 E5A4, NBL1, N1A, N1AF, N1C, N1E, N1E1, N1E7, N1R N1S, N1S7, N1U, N1W, N1W7, N1W8, N1W9, N2E, N2E1 N2E3, N2E7, N2E8, N2E9, N2KA, N2U, N3U, N3V, N5A N5AF, N5C, N7A1, N7E1, N7E2, RTL1, R1A, R3A, R3A1 STA1, STL1, S1A, S1A1, S2E, S2E1, S3A
					-	-	-	-	1	1			
E-19	4	E	31105-ZOJ-000	*PARTS NO. DELETION									
		E	31105-ZOL-000	*PARTS NO. DELETION									
		D	31105-ZOJ-010	FLYWHEEL ASSY. (PHELON) (USE FOR IGN. COIL OF PHELON)	-	-	-	1	-	-	-----	-----	BHH, N1W7, N1W8, N1W9
		T	31105-ZOL-010	.....	-	-	-	1	-	-	-----	-----	A1A, A1AE, A1AF, A1AS, A1C, A1E, A1E7, A1E8, A1W7 A2A, A2C, A2E7, A2E8, A2E9, A2G7, A3A, A3E, A7E1 N1R, N1U, N2U, N3U, N3V, N7A1, STA1, S1A, S1A1, S3A
	17	E	31110-ZOJ-003	*PARTS NO. DELETION									
		T	31110-ZOJ-013	FLYWHEEL COMP. ....	-	-	-	1	-	-	-----	-----	A2R, N1A, N1AF, N1C, N1E1, N1E7, N2E7, N2E8, N2E9 N5A, N5AF, N5C
E-28	1	T	87101-ZMO-000	EMBLEM (GCV160 5.5) .....	-	-	1	1	-	1	-----	-----	A1A, A1AF, A1E7, A1E8, A1G7, A1J, A2A, A2E7, A2E8 A2E9, A2G7, A2G9, N1A, N1AF, N1C, N1E7, N1W7, N2E7 N2E8, N2E9, N5A, N5AF, N5C, S1A, S1A1, S2E, S2E1
					-	-	1	1	-	-	-----	-----	A2R
					-	-	1	-	-	-	-----	-----	N1R
					-	-	1	-	-	-	-----	1212768	N2U
					-	-	1	-	-	-	2414991	2425659	N1W9
					-	-	-	1	-	-	-----	-----	A1C, A2C, N1U
		T	87101-ZMO-010	.....	-	-	1	-	-	1	-----	-----	A1C, A2C, N1J1, N1U
					-	-	1	-	-	-	2425660	-----	N1W9
					-	-	-	1	-	1	-----	-----	A1AS, A1E, A1G9, A2A9, A3E, A3E7, A3W8, E1A2, E1A4 E1G7, E2G7, E5A4, N1D, N1E1, N1E2, N1R, N1T8, N1T9 N1W9, N3T8, N3T9, R1A, R3A1, S1E1

NOTE A:PART NO. CHANGE D:NEWLY PROVIDED E:PART NO.DELETION K:REQUIRED NO. CORRECTION L:APPLICATION SERIAL NO. CORRECTION  
T:APPLICATION CORRECTION Z:REMARKS CHANGE

PARTS CATALOGUE NEWS

BOOKNo. : 13ZM00E6

Block No.	Ref. No.	Note	Part No.	Description	Reqd. QTY						Serial No.	Parts catalogue code	
					GCV	GCV	GCV	GCV	GCV	GCV			
					135	135E	160	160A	135A	160E			
					-	-	-	-	-	1	-----	-----	A2R
	2	T	87101-ZM1-000	EMBLEM (GCV135 4.5) .....	1	1	-	-	-	-	-----	-----	A1D, A1E1, A1J, A1U, A2D, A2E1, A2G9, A2U, A3E, A4E N1E1, N2D, N2E2, S2E, S2E1
					1	-	-	-	-	-	-----	-----	N1E, N2E3
					1	-	-	-	-	-	-----	1094954	N2U
					1	-	-	-	-	-	-----	1623909	A1A, A1C, A1E, A1E7, A1E8, A2A, A2C, A2E, A2E4, A2E7 A2E8, A2E9, A2G7, A2R, N1D, N1U, N1W, N1W7, N2E N2E1, N2E7, N2E8, N2E9
					-	-	-	-	1	-			
		T	87101-ZM1-010	.....	1	-	-	-	-	-	1623910	-----	A1A, A1C, A1E, A1E7, A1E8, A2A, A2C, A2E, A2E4, A2E7 A2E8, A2E9, A2G7, A2R, N1D, N1U, N1W, N1W7, N2E N2E1, N2E7, N2E8, N2E9
					-	1	-	-	-	-	-----	-----	A1E, A1E7, A1E8, A1G9, A2E, A2E7, A2E8, A2E9, A2G7 A2R, N1E, N1U, N1W, N1W7, N2E, N2E1, N2E3, N2E7 N2E8, N2E9, N2KA
					-	-	-	-	1	-			

NOTE A:PART NO. CHANGE D:NEWLY PROVIDED E:PART NO. DELETION K:REQUIRED NO. CORRECTION L:APPLICATION SERIAL NO. CORRECTION  
T:APPLICATION CORRECTION Z:REMARKS CHANGE



# PARTS CATALOGUE NEWS

Honda Motor Co., Ltd. Service Division

February 26, 2005

CODE NO.	BOOKLET TYPE	13ZM00E6
	MICRO-FICHE	13ZM00EF/FF
PARTS CATALOGUE TITLE	GCV135 GCV135E GCV160 GCV160A GCV135A GCV160E	
NEWS NO.	008	

Printed in Japan

## GCV160A-S3A2 and S3H TYPES sales parts information

NOTE: This Parts Catalogue News explains only the parts of the different model that are produced to conform to addition of the GCV160A-S3A2 and S3H types.

As for the parts not listed on this Parts Catalogue News, use the parts of the GCV160A -S3A type.

Model	Type		Parts catalogue type	Applicable engine serial No.	Applicable carburetor identification No.
GCV160A	S3A	Base model	S3A	GJAEA-1000001~	BB62G A
	S3A2	Additional model	S3A2		BB62S A
	S3A	Base model	S3A		BB62G A
	S3H	Additional model	S3H		BB62S A

## PARTS CATALOGUE NEWS

BOOKNo. : 13ZMO0E6

Block No.	Ref. No.	Part No.	Description	Reqd. QTY						Base Part No.	Parts catalogue code
				GCV	GCV	GCV	GCV	GCV	GCV		
				135	135E	160	160A	135A	160E		
E-3	1	12000-ZOL-406	BARREL ASSY., CYLINDER .....	-	-	-	1	-	-	12000-ZL8-415	
E-6	2		GAUGE ASSY., OIL LEVEL .....	-	-	-	0	-	-	15650-ZM0-801	S3A2
	3	15625-ZE1-003	PACKING, OIL FILLER CAP .....	-	-	-	1	-	-		S3A2
	4		PACKING, OIL FILLER CAP .....	-	-	-	0	-	-	15625-ZE6-000	S3A2
	5		EXTENSION, OIL FILLER .....	-	-	-	0	-	-	15631-ZM0-000	S3A2
	6		WASHER, EXTENSION LOCK .....	-	-	-	0	-	-	15639-ZM0-000	S3A2
	7	15650-ZM0-003	GAUGE ASSY., OIL LEVEL .....	-	-	-	1	-	-		S3A2
	20		O-RING, 14. 8X2. 4 (ARAI) .....	-	-	-	0	-	-	91303-KF0-003	S3A2
E-8	1	13101-Z2A-000	PISTON .....	-	-	-	1	-	-	13101-ZL8-000	
	6	13010-ZOL-003	RING SET, PISTON (RIKEN) .....	-	-	-	1	-	-	13010-ZL8-003	
		13010-ZOL-004	RING SET, PISTON (TEIKOKU) ...	-	-	-	1	-	-	13010-ZL8-024	
E-10	4	14431-Z0J-000	ARM, IN. VALVE ROCKER .....	-	-	-	1	-	-	14431-ZL8-000	
	5	14441-Z0J-000	ARM, EX. VALVE ROCKER .....	-	-	-	1	-	-	14441-ZL8-000	
	10	14771-Z0J-000	RETAINER, VALVE SPRING .....	-	-	-	2	-	-	14771-ZE1-000	
E-12	2		COCK ASSY., FUEL .....	-	-	-	0	-	-	16950-ZG9-M03	
	3		BRACKET, FUEL COCK .....	-	-	-	0	-	-	16956-ZG9-M00	
	5		TUBE, FUEL .....	-	-	-	0	-	-	17702-ZM0-000	
	6		COVER COMP., FAN *T93*..... HUSQVARNA GRAY	-	-	-	0	-	-	19610-ZOL-800ZD	
		19610-ZOL-000ZA	*NH1*..... BLACK	-	-	-	1	-	-	19610-ZOL-800ZC	
	11	95001-55150-40	TUBE, FUEL, 5.3X150 (95001-55001-60M)	-	-	-	1	-	-	17701-ZOL-000	
	14		CLIP, TUBE (C9) .....	-	-	-	0	-	-	95002-50000	
	31	16950-ZM0-003	COCK ASSY., FUEL .....	-	-	-	1	-	-		
	32	17702-ZM0-800	TUBE, FUEL .....	-	-	-	1	-	-		

NOTE A:PART NO. CHANGE D:NEWLY PROVIDED E:PART NO.DELETION K:REQUIRED NO. CORRECTION L:APPLICATION SERIAL NO. CORRECTION  
T:APPLICATION CORRECTION Z:REMARKS CHANGE

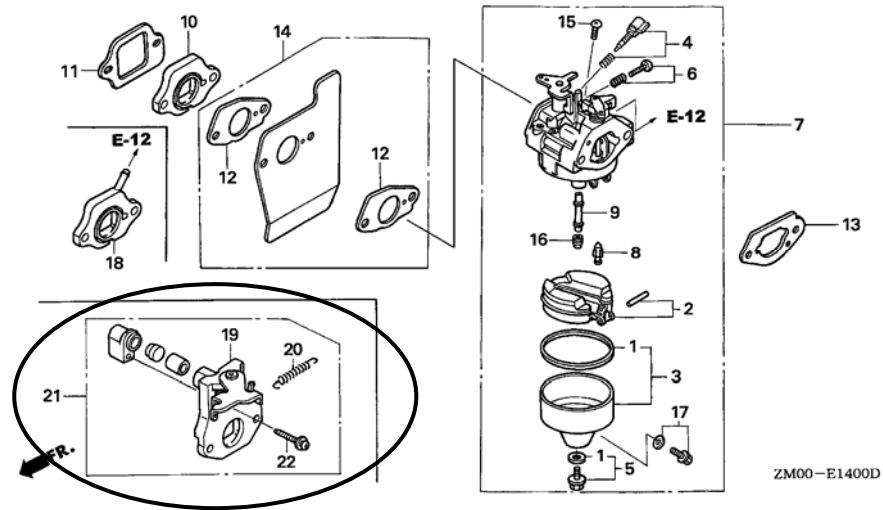


PARTS CATALOGUE NEWS

BOOKNo. : 13ZM00E6

Block No.	Ref. No.	Part No.	Description	Reqd. QTY						Base Part No.	Parts catalogue code
				GCV	GCV	GCV	GCV	GCV	GCV		
				135	135E	160	160A	135A	160E		
	33	95002-02080	CLIP, TUBE (B8) .....	-	-	-	1	-	-		

E-14 CARBURETOR



E-14	7		CARBURETOR ASSY. (BB62G A) ...	-	-	-	0	-	-	16100-ZOL-801
		16100-ZOL-841	CARBURETOR ASSY. (BB62S A) ...	-	-	-	1	-	-	
	8	16155-ZM0-013	VALVE, FLOAT .....	-	-	-	1	-	-	16155-ZM0-013
	9		NOZZLE, MAIN .....	-	-	-	0	-	-	16166-ZM0-003
		16166-ZOL-841	.....	-	-	-	1	-	-	
	10		INSULATOR, CARBURETOR .....	-	-	-	0	-	-	16211-ZL8-000
	13		PACKING, CARBURETOR .....	-	-	-	0	-	-	16228-ZL8-000
		16228-ZOL-840	PACKING, CARBURETOR (CHOKE SIDE)	-	-	-	1	-	-	
	16	99101-124-0650	JET, MAIN, #65 .....	-	-	-	(1)	-	-	99101-124-0600
		99101-124-0680	JET, MAIN, #68 .....	-	-	-	(1)	-	-	99101-124-0620

NOTE A:PART NO. CHANGE D:NEWLY PROVIDED E:PART NO.DELETION K:REQUIRED NO. CORRECTION L:APPLICATION SERIAL NO. CORRECTION  
T:APPLICATION CORRECTION Z:REMARKS CHANGE

## PARTS CATALOGUE NEWS

BOOKNo. : 13ZM00E6

Block No.	Ref. No.	Part No.	Description	Reqd. QTY						Base Part No.	Parts catalogue code
				GCV	GCV	GCV	GCV	GCV	GCV		
				135	135E	160	160A	135A	160E		
		99101-124-0700	JET, MAIN, #70 .....	-	-	-	1	-	-	99101-124-0650	
	19	16210-ZOL-840	INSULATOR COMP. ....	-	-	-	1	-	-		
	20	16268-ZOL-840	SPRING, CHOKE LEVER RETURN ...	-	-	-	1	-	-		
	21	16600-ZOL-840	CONTROL ASSY., CHOKE .....	-	-	-	1	-	-		
	22	93891-04035-00	SCREW-WASHER, 4X35 .....	-	-	-	1	-	-		
E-15	2	17211-ZL8-013	ELEMENT, AIR CLEANER .....	-	-	-	1	-	-	17211-ZL8-003	
E-16	2	18321-ZOL-J00	PROTECTOR, MUFFLER .....	-	-	-	1	-	-	18321-ZL8-A00	S3H
		18321-ZOL-000	.....	-	-	-	1	-	-	18321-ZL8-A00	S3A2
E-19	3	30500-ZL8-004	COIL ASSY., IGNITION (TEC) (USE FOR F/W OF TEC)	-	-	-	1	-	-	30500-Z0J-003	
	4	31105-ZM0-000	FLYWHEEL ASSY. (TEC) (USE FOR IGN. COIL OF TEC)	-	-	-	1	-	-	31105-ZOL-010	
	5	32195-ZOL-000	CORD, STOP SWITCH .....	-	-	-	1	-	-	32195-ZM0-800	
	7	75100-ZM0-000	BRAKE ASSY. ....	-	-	-	1	-	-		
	14	51125-ZOL-003	HOLDER, WIRE (FASTEX) .....	-	-	-	1	-	-		
	20		GROMMET A, RR. COVER .....	-	-	-	0	-	-	11344-MB0-000	
	21		BRAKE SUB ASSY. ....	-	-	-	0	-	-	75110-ZOL-800	
E-22	3		SPRING, GOVERNOR .....	-	-	-	0	-	-	16561-ZOL-000	
E-22-2	1	16551-ZM0-010	ARM, GOVERNOR .....	-	-	-	1	-	-		
	2	16555-ZM0-000	ROD, GOVERNOR .....	-	-	-	1	-	-		
	3	16561-ZOL-000	SPRING, GOVERNOR .....	-	-	-	1	-	-		
	4	16562-ZM0-000	SPRING, THROTTLE RETURN .....	-	-	-	1	-	-		
	6	16580-ZOL-810	BASE COMP., CONTROL .....	-	-	-	1	-	-		
	12	90015-ZE5-010	BOLT, GOVERNOR ARM .....	-	-	-	1	-	-		
	13	90016-ZE8-000	BOLT, FLANGE, 6X45 (CT200) ....	-	-	-	1	-	-		

NOTE A:PART NO. CHANGE D:NEWLY PROVIDED E:PART NO.DELETION K:REQUIRED NO. CORRECTION L:APPLICATION SERIAL NO. CORRECTION  
T:APPLICATION CORRECTION Z:REMARKS CHANGE

PARTS CATALOGUE NEWS

BOOKNo. : 13ZM00E6

Block No.	Ref. No.	Part No.	Description	Reqd. QTY						Base Part No.	Parts catalogue code
				GCV	GCV	GCV	GCV	GCV	GCV		
				135	135E	160	160A	135A	160E		
	15	94050-06000	NUT, FLANGE, 6MM .....	-	-	-	1	-	-		
E-22-3	1		SEAL, CHOKE LEVER .....	-	-	-	0	-	-	16251-Z0L-800	
	2		SPRING, CABLE RETURN .....	-	-	-	0	-	-	16592-ZJ1-000	
	3		LEVER, CHOKE .....	-	-	-	0	-	-	16612-Z0L-800	
	4		BASE COMP., CHOKE .....	-	-	-	0	-	-	16613-Z0L-800	
	5		SPRING, CHOKE LEVER .....	-	-	-	0	-	-	16614-Z0L-800	
	6		HOOK, CHOKE SPRING .....	-	-	-	0	-	-	16616-Z0L-800	
	7		PLATE, CHOKE .....	-	-	-	0	-	-	16619-Z0L-800	
	8		ROD, STOP .....	-	-	-	0	-	-	16632-Z0L-800	
	9		BOLT, FLANGE, 6X20 .....	-	-	-	0	-	-	90022-888-000	
	10		SCREW, TAPPING, 4X8 (PO) .....	-	-	-	0	-	-	90102-SP1-003	
	11		SCREW, PAN, 5X19 .....	-	-	-	0	-	-	90141-KT8-000	
	12		SCREW, PAN, 4X8 .....	-	-	-	0	-	-	93500-04008-0H	
	13		NUT, FLANGE, 5MM .....	-	-	-	0	-	-	94050-05000	
E-28	1	87101-ZM0-010	EMBLEM (GCV160 5.5) .....	-	-	-	1	-	-		S3A2
	9		MARK, CHOKE INDICATION .....	-	-	-	0	-	-	87528-Z0L-V20	

NOTE A:PART NO. CHANGE D:NEWLY PROVIDED E:PART NO.DELETION K:REQUIRED NO. CORRECTION L:APPLICATION SERIAL NO. CORRECTION  
T:APPLICATION CORRECTION Z:REMARKS CHANGE



# PARTS CATALOGUE NEWS

Honda Motor Co., Ltd. Service Division

## PARTS CATALOGUE - CORRECTED

Printed in Japan

CODE NO.	BOOKLET TYPE	13ZM00E6
	MICRO-FICHE	13ZM00EF/FF
PARTS CATALOGUE TITLE	GCV135 GCV135E GCV160 GCV160A GCV135A GCV160E	
NEWS NO.	009	

Block No.	Ref. No.	Note	Part No.	Description	Reqd. QTY						Serial No.	Parts catalogue code	
					GCV 135	GCV 135E	GCV 160	GCV 160A	GCV 135A	GCV 160E			
E-8	6	T	13010-ZL8-003	RING SET, PISTON (RIKEN) . . . . .	1	-	1	-	1	1			
					-	1	-	1	-	-	-----	-----	A1A, A1AE, A1AF, A1AS, A1C, A1E, A1E7, A1E8, A1G9 A1W7, A2A, A2C, A2E, A2E7, A2E8, A2E9, A2G, A2G4 A2G7, A2G9, A2R, A3A, A3E, A7E1, BHH, EHHB, E1A2 E1A4, E1G7, E2G7, E5A4, NBL1, N1A, N1AF, N1C, N1E N1E1, N1E7, N1G, N1R, N1S, N1S7, N1U, N1W, N1W7 N1W8, N1W9, N2E, N2E1, N2E3, N2E7, N2E8, N2E9, N2KA N2U, N3U, N3V, N5A, N5AF, N5C, N7A1, N7E1, N7E2 RTL1, R1A, R3A, R3A1, STA1, STL1, S1A, S1A1, S3A
		E	13010-ZL8-014	*PARTS NO. DELETION									
		T	13010-ZL8-024	RING SET, PISTON (TEIKOKU) . . .	1	1	1	1	-	-	-----	-----	A1A, A1AE, A1AF, A1AS, A1C, A1E, A1E7, A1E8, A1G7 A1G9, A1P, A1W2, A1W7, A2A, A2C, A2E, A2E4, A2E7 A2E8, A2E9, A2G4, A2G7, A2G9, A2R, A3A, A7E1, BHH EHHB, E1A2, E1A4, E1G7, E2G7, E5A4, NBL1, N1, N1A N1AF, N1C, N1D, N1E1, N1E2, N1E7, N1J1, N1R, N1S N1S7, N1U, N1W, N1W1, N1W2, N1W7, N1W8, N1W9, N2 N2E, N2E1, N2E7, N2E8, N2E9, N2KA, N2U, N3U, N3V N5A, N5AF, N5C, N7A1, N7E1, N7E2, RTL1, R1A, R3A R3A1, STA1, STL1, S1A, S1A1, S2E, S2E1, S3A
					1	-	-	-	-	-	-----	-----	A2G, N1G
					-	1	1	1	-	-	-----	-----	A3E, N1E, N2E3

NOTE A:PART NO. CHANGE D:NEWLY PROVIDED E:PART NO. DELETION K:REQUIRED NO. CORRECTION L:APPLICATION SERIAL NO. CORRECTION  
T:APPLICATION CORRECTION Z:REMARKS CHANGE

PARTS CATALOGUE NEWS

BOOKNo. : 13ZM00E6

Block No.	Ref. No.	Note	Part No.	Description	Reqd. QTY						Serial No.	Parts catalogue code	
					GCV	GCV	GCV	GCV	GCV	GCV			
					135	135E	160	160A	135A	160E			
					-	-	-	-	-	1	1		
E-11	1	T	28400-ZMO-003ZB	STARTER ASSY., RECOIL *R8*..... BRIGHT RED	1	-	-	-	-	-	----- 1126301	N1E, N2E, N2E3, N2U	
					-	-	1	-	-	-	----- 1297891	N1E2, N1U, N2E, N2E3, N2U, N3V	
		T	28400-ZMO-013ZB	*R8*..... BRIGHT RED	1	-	-	-	-	-	----- 1623804	N2E7, N2E9	
					1	-	-	-	-	-	1126302 -----	N1E, N2E3	
					1	-	-	-	-	-	1126302 1623804	N2E, N2U	
					-	-	1	-	-	-	----- 2424487	N2E7, N2E9	
					-	-	1	-	-	-	1297892 2424487	N1E2, N1U, N2E, N2E3, N2U, N3V	
		L	28400-ZMO-632ZD	STARTER ASSY., RECOIL (LONG ROPE) *R280*..... POWER RED	1	-	-	-	-	-	----- -----	A1E7, A1E8, A2E4, A2E7, A2E8, A2E9, A2G7	
					1	-	-	-	-	-	1126302 -----	A1E, A2E, A2G	
					-	-	1	-	-	-	----- -----	N3U	
					-	-	1	-	-	-	2425100 -----	A1E, A1E7, A1E8, A1P, A2E, A2E4, A2E7, A2E8, A2E9 A2G7, N1R	
E-12	6	T	19610-ZMO-000ZB	COVER COMP., FAN *R8*..... BRIGHT RED	-	-	1	-	-	-	----- 1417474	A1E, A2E, N1E2, N1U, N2E, N2E3, N2U, N3V	
		T	19610-ZMO-010ZB	*R8*..... BRIGHT RED	-	-	1	-	-	-	----- 2424487	A1E7, A1E8, A2E4, A2E7, A2E8, A2E9, A2G7, N1R, N2E7 N2E9	
					-	-	1	-	-	-	1417475 2424487	A1E, A2E, N1E2, N1U, N2E, N2E3, N2U, N3V	
					-	-	-	-	-	1	----- -----	A2G9	
		T	19610-ZM1-000ZB	*R8*..... BRIGHT RED	1	-	-	-	-	-	----- 1187905	A1E, A2E, N1E, N2E, N2E3, N2U	

NOTE A:PART NO. CHANGE D:NEWLY PROVIDED E:PART NO. DELETION K:REQUIRED NO. CORRECTION L:APPLICATION SERIAL NO. CORRECTION  
T:APPLICATION CORRECTION Z:REMARKS CHANGE



# PARTS CATALOGUE NEWS

Honda Motor Co., Ltd. Service Division

Printed in Japan

CODE NO.	BOOKLET TYPE	13ZM00E6
	MICRO- FICHE	13ZM00EF/FF
PARTS CATALOGUE TITLE	GCV135 GCV135E GCV160 GCV160A GCV135A GCV160E	
NEWS NO.	010	

## GCV160A-A1M,N1L,N7S1 AND S3H2 TYPES sales parts information

NOTE: This Parts Catalogue News explains only the parts of the different model that are produced to conform to addition of the GCV160A-A1M,N1L,N7S1 and S3H2 types.

As for the parts not listed on this Parts Catalogue News, use the parts of the GCV160A-A1A,N1A,N7A1 and S3A types.

NOTE A:PART NO. CHANGE D:NEWLY PROVIDED E:PART NO. DELETION K:REQUIRED NO. CORRECTION L:APPLICATION SERIAL NO. CORRECTION  
T:APPLICATION CORRECTION Z:REMARKS CHANGE

Model	Type		Parts catalogue type	Applicable engine serial No.	Applicable carburetor identification No.
GCV160A	A1A	Base model	A1A	GJAEA-1000001~	BB62B D
	A1M	Additional model	A1M		BB62B E
	N1A	Base model	N1A		BB62B D
	N1L	Additional model	N1L		BB62B E
	N7A1	Base model	N7A1		BB62F A
	N7S1	Additional model	N7S1		BB62F B
	S3A	Base model	S3A		BB62G A
	S3H2	Additional model	S3H2		BB62G B

## PARTS CATALOGUE NEWS

BOOKNo. : 13ZM00E6

Block No.	Ref. No.	Part No.	Description	Reqd. QTY						Base Part No.	Parts catalogue code
				GCV	GCV	GCV	GCV	GCV	GCV		
				135	135E	160	160A	135A	160E		
E-3	1	12000-ZL8-415	BARREL ASSY., CYLINDER .....	-	-	-	1	-	-	12000-ZL8-405	A1M, N1L
E-8	1	13101-Z2A-000	PISTON .....	-	-	-	1	-	-	13101-ZL8-000	
	6	13010-Z0L-003	RING SET, PISTON (RIKEN) .....	-	-	-	1	-	-	13010-ZL8-003	
		13010-Z0L-004	RING SET, PISTON (TEIKOKU) ...	-	-	-	1	-	-	13010-ZL8-024	
E-10	1	14320-ZL8-010	PULLEY COMP., CAMSHAFT .....	-	-	-	1	-	-	14320-ZL8-000	A1M, N1L
	3	14400-Z0J-014	BELT, TIMING (84HU7 G-200) ...	-	-	-	1	-	-	14400-Z0J-004	A1M, N1L
	4	14431-Z0J-000	ARM, IN. VALVE ROCKER .....	-	-	-	1	-	-	14431-ZL8-000	
	5	14441-Z0J-000	ARM, EX. VALVE ROCKER .....	-	-	-	1	-	-	14441-ZL8-000	
	10	14771-Z0J-000	RETAINER, VALVE SPRING .....	-	-	-	2	-	-	14771-ZE1-000	
E-12	2		COCK ASSY., FUEL .....	-	-	-	0	-	-	16950-ZG9-M03	
	3		BRACKET, FUEL COCK .....	-	-	-	0	-	-	16956-ZG9-M00	
	4	17620-ZL8-013	CAP ASSY., FUEL TANK .....	-	-	-	1	-	-	17620-ZL8-003	A1M
	5		TUBE, FUEL .....	-	-	-	0	-	-	17702-ZM0-000	
	6		COVER COMP., FAN *T93*..... HUSQVARNA GRAY	-	-	-	0	-	-	19610-Z0L-800ZD	S3H2
		19610-Z0L-000ZA	*NH1*..... BLACK	-	-	-	1	-	-	19610-ZM0-010ZA	A1M, N1L
		19610-Z0L-800ZA	*NH1*..... BLACK	-	-	-	1	-	-	19610-Z0L-800ZC	S3H2
	11	95001-55150-40	TUBE, FUEL, 5.3X150 (95001-55001-60M)	-	-	-	1	-	-	17701-Z0L-000	A1M, N1L, S3H2
	14		CLIP, TUBE (C9) .....	-	-	-	0	-	-	95002-50000	
	20	17703-Z0L-790	TUBE B, FUEL .....	-	-	-	1	-	-	17703-Z0L-780	N7S1
	31	16950-ZM0-003	COCK ASSY., FUEL .....	-	-	-	1	-	-		
32	17702-ZM0-800	TUBE, FUEL .....	-	-	-	1	-	-			
33	95002-02080	CLIP, TUBE (B8) .....	-	-	-	1	-	-			
E-14	7	16100-ZM0-804	CARBURETOR ASSY. (BB62B E) ...	-	-	-	1	-	-	16100-ZM0-803	A1M, N1L

NOTE A:PART NO. CHANGE D:NEWLY PROVIDED E:PART NO.DELETION K:REQUIRED NO. CORRECTION L:APPLICATION SERIAL NO. CORRECTION  
T:APPLICATION CORRECTION Z:REMARKS CHANGE



## PARTS CATALOGUE NEWS

BOOKNo. : 13ZM00E6

Block No.	Ref. No.	Part No.	Description	Reqd. QTY						Base Part No.	Parts catalogue code
				GCV	GCV	GCV	GCV	GCV	GCV		
				135	135E	160	160A	135A	160E		
		16100-ZOL-782	CARBURETOR ASSY. (BB62F B) ...	-	-	-	1	-	-	16100-ZOL-781	N7S1
		16100-ZOL-802	CARBURETOR ASSY. (BB62G B) ...	-	-	-	1	-	-	16100-ZOL-801	S3H2
E-15	2	17211-ZL8-013	ELEMENT, AIR CLEANER .....	-	-	-	1	-	-	17211-ZL8-003	
E-16	2	18321-ZOL-J00	PROTECTOR, MUFFLER .....	-	-	-	1	-	-	18321-ZL8-A00	S3H2
		18321-ZOL-000	.....	-	-	-	1	-	-	18321-ZL8-000	A1M, N1L
E-19	3	30500-ZL8-004	COIL ASSY., IGNITION (TEC) (USE FOR F/W OF TEC)	-	-	-	1	-	-	30500-Z0J-003	A1M, N7S1, S3H2
	4	31105-ZM0-000	FLYWHEEL ASSY. (TEC) (USE FOR IGN. COIL OF TEC)	-	-	-	1	-	-	31105-ZOL-010	A1M, N7S1, S3H2
	5	32195-ZOL-000	CORD, STOP SWITCH .....	-	-	-	1	-	-	32195-ZM0-000	A1M
	14		CLIP A, CABLE (NIFCO) .....	-	-	-	0	-	-	90681-959-003	N1L
		51125-ZOL-003	HOLDER, WIRE (FASTEX) .....	-	-	-	1	-	-		A1M, S3H2
	19	51125-ZOL-003	HOLDER, WIRE (FASTEX) .....	-	-	-	1	-	-		N1L, N7S1
		90681-959-003	CLIP A, CABLE (NIFCO) .....	-	-	-	1	-	-		N1L
E-22	6		HOLDER, CABLE .....	-	-	-	0	-	-	16576-891-000	A1M, N7S1
	17		SPRING, CONTROL ADJUSTING ....	-	-	-	0	-	-	16584-883-300	N7S1
	18		COLLAR, STOPPER .....	-	-	-	0	-	-	16599-ZG1-M10	N7S1
	19		SCREW, RECESSED, 5X28 .....	-	-	-	0	-	-	90016-ZE7-W00	N7S1
	24	16617-VG3-000	HOLDER, CABLE .....	-	-	-	1	-	-		A1M, N7S1

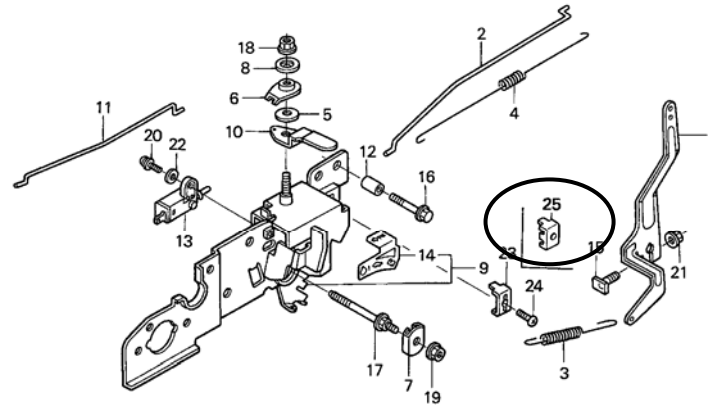
NOTE A:PART NO. CHANGE D:NEWLY PROVIDED E:PART NO.DELETION K:REQUIRED NO. CORRECTION L:APPLICATION SERIAL NO. CORRECTION  
T:APPLICATION CORRECTION Z:REMARKS CHANGE

PARTS CATALOGUE NEWS

BOOKNo. : 13ZM00E6

Block No.	Ref. No.	Part No.	Description	Reqd. QTY						Base Part No.	Parts catalogue code
				GCV 135	GCV 135E	GCV 160	GCV 160A	GCV 135A	GCV 160E		

E-22-1 CONTROL (2)



ZM00-E2201D

E-22-1	23		HOLDER, CABLE .....	-	-	-	0	-	-	16576-891-000	N1L
	25	16617-VG3-000	HOLDER, CABLE .....	-	-	-	1	-	-		N1L
E-22-2	1	16551-ZM0-010	ARM, GOVERNOR .....	-	-	-	1	-	-		S3H2
	2	16555-ZOL-800	ROD, GOVERNOR .....	-	-	-	1	-	-		S3H2
	3	16561-ZOL-000	SPRING, GOVERNOR .....	-	-	-	1	-	-		S3H2
	4	16562-ZM0-000	SPRING, THROTTLE RETURN .....	-	-	-	1	-	-		S3H2
	6	16580-ZOL-810	BASE COMP., CONTROL .....	-	-	-	1	-	-		S3H2
	12	90015-ZE5-010	BOLT, GOVERNOR ARM .....	-	-	-	1	-	-		S3H2
	13	90016-ZE8-000	BOLT, FLANGE, 6X45 (CT200) .....	-	-	-	1	-	-		S3H2
	15	94050-06000	NUT, FLANGE, 6MM .....	-	-	-	1	-	-		S3H2
E-28	1	87101-ZM0-010	EMBLEM (GCV160 5.5) .....	-	-	-	1	-	-	87101-ZM0-000	A1M, N1L
	9	87528-ZOL-800	MARK, CHOKE INDICATION .....	-	-	-	1	-	-	87528-ZOL-V20	S3H2

NOTE A:PART NO. CHANGE D:NEWLY PROVIDED E:PART NO.DELETION K:REQUIRED NO. CORRECTION L:APPLICATION SERIAL NO. CORRECTION  
T:APPLICATION CORRECTION Z:REMARKS CHANGE



# PARTS CATALOGUE NEWS

Honda Motor Co., Ltd. Service Division

## PARTS CATALOGUE - CORRECTED

Printed in Japan

CODE NO.	BOOKLET TYPE	13ZM00E6
	MICRO-FICHE	13ZM00EF/FF
PARTS CATALOGUE TITLE	GCV135 GCV135E GCV160 GCV160A GCV135A GCV160E	
NEWS NO.	011	

Block No.	Ref. No.	Note	Part No.	Description	Reqd. QTY						Serial No.	Parts catalogue code	
					GCV 135	GCV 135E	GCV 160	GCV 160A	GCV 135A	GCV 160E			
E-19	3		30500-Z0J-003	COIL ASSY., IGNITION (PHELON) (USE FOR F/W OF PHELON)	-	-	-	1	-	-	-----	-----	A2R, BHH, EHHB, E1A2, E1A4, E1G7, E2G7, E5A4, N1A N1AF, N1C, N1E1, N1E7, N1L, N1W7, N1W8, N1W9, N2E7 N2E8, N2E9, N5A, N5AF, N5C, RTL1, R1A, R3A, R3A1
					-	-	-	1	-	-	-----	3092797	A1A, A1AE, A1AF, A1AS, A1C, A1E, A1E7, A1E8, A1W7 A2A, A2C, A2E7, A2E8, A2E9, A2G7, A3A, A3E, A7E1 N1R, N1U, N2U, N3U, N3V, N7A1, STA1, S1A, S1A1, S3A
	A	30500-ZL8-004	COIL ASSY., IGNITION (TEC) (USE FOR F/W OF TEC)	1	1	1	-	1	1	-----	-----	A1M, N7S1, S3A2, S3H, S3H2	
	-	-	-	1	-	-	3092798	-----	A1A, A1AE, A1AF, A1AS, A1C, A1E, A1E7, A1E8, A1W7 A2A, A2C, A2E7, A2E8, A2E9, A2G7, A3A, A3E, A7E1 N1R, N1U, N2U, N3U, N3V, N7A1, STA1, S1A, S1A1, S3A				
	4		31105-Z0L-010	FLYWHEEL ASSY. (PHELON) (USE FOR IGN. COIL OF PHELON)	-	-	-	1	-	-	-----	3092797	A1A, A1AE, A1AF, A1AS, A1C, A1E, A1E7, A1E8, A1W7 A2A, A2C, A2E7, A2E8, A2E9, A2G7, A3A, A3E, A7E1 N1R, N1U, N2U, N3U, N3V, N7A1, STA1, S1A, S1A1, S3A
					A	31105-ZM0-000	FLYWHEEL ASSY. (TEC) (USE FOR IGN. COIL OF TEC)	1	1	1	1	-	1

NOTE A:PART NO. CHANGE D:NEWLY PROVIDED E:PART NO. DELETION K:REQUIRED NO. CORRECTION L:APPLICATION SERIAL NO. CORRECTION  
T:APPLICATION CORRECTION Z:REMARKS CHANGE

PARTS CATALOGUE NEWS

BOOKNo. : 13ZM00E6

Block No.	Ref. No.	Note	Part No.	Description	Reqd. QTY						Serial No.	Parts catalogue code	
					GCV	GCV	GCV	GCV	GCV	GCV			
					135	135E	160	160A	135A	160E			
					-	-	1	-	-	1	-----	A1A, A1C, A1E, A1E7, A1E8, A1G9, A1J, A1U, A1W2 A1W7, A2A, A2A9, A2C, A2E, A2E4, A2E7, A2E8, A2E9 A2G4, A2G7, A2G9, A2U, A3E, A3E7, A3W7, A3W8 A4E, A7E1, N1, N1D, N1R, N1U, N2, N2D, N2U, N3U N3V, N7A1, S1E1, S2E, S2E1	
					-	-	-	1	-	-	3092798	-----	A1A, A1AE, A1AF, A1AS, A1C, A1E, A1E7, A1E8, A1W7 A2A, A2C, A2E7, A2E8, A2E9, A2G7, A3A, A3E, A7E1 N1R, N1U, N2U, N3U, N3V, N7A1, STA1, S1A, S1A1, S3A

NOTE A:PART NO. CHANGE D:NEWLY PROVIDED E:PART NO.DELETION K:REQUIRED NO. CORRECTION L:APPLICATION SERIAL NO. CORRECTION  
T:APPLICATION CORRECTION Z:REMARKS CHANGE



# PARTS CATALOGUE NEWS

Honda Motor Co., Ltd. Service Division

## PARTS CATALOGUE - CORRECTED

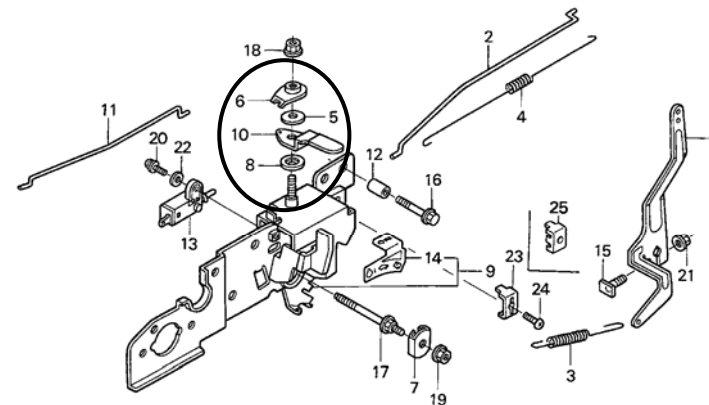
Printed in Japan

CODE NO.	BOOKLET TYPE	13ZM00E6
	MICRO-FICHE	13ZM00EF/FF
PARTS CATALOGUE TITLE	GCV135 GCV135E GCV160 GCV160A GCV135A GCV160E	
NEWS NO.	012	

Block No.	Ref. No.	Note	Part No.	Description	Reqd. QTY	Serial No.	Parts catalogue code
					GCV 135 GCV 135E GCV 160 GCV 160A GCV 135A GCV 160E		

E-22-1 CONTROL (2)

**ILLUSTRATION CORRECTED**



ZM00-E2201E

NOTE A:PART NO. CHANGE D:NEWLY PROVIDED E:PART NO.DELETION K:REQUIRED NO. CORRECTION L:APPLICATION SERIAL NO. CORRECTION  
T:APPLICATION CORRECTION Z:REMARKS CHANGE



# PARTS CATALOGUE NEWS

Honda Motor Co., Ltd. Service Division

## PARTS CATALOGUE - CORRECTED

Printed in Japan

CODE NO.	BOOKLET TYPE	13ZM00E6
	MICRO- FICHE	13ZM00EF/FF
PARTS CATALOGUE TITLE	GCV135 GCV135E GCV160 GCV160A GCV135A GCV160E	
NEWS NO.	013	

Block No.	Ref. No.	Note	Part No.	Description	Reqd. QTY						Serial No.	Parts catalogue code
					GCV 135	GCV 135E	GCV 160	GCV 160A	GCV 135A	GCV 160E		
E-12	2	L	16950-ZG9-M03	COCK ASSY., FUEL .....	1	-	-	-	-	-	----- 1623712	A1A, A1C, A1E, A1E7, A1E8, A2A, A2C, A2E, A2E4, A2E7 A2E8, A2E9, A2G, A2G7, A2R, A7E1, N1D, N1G, N1S N1S7, N1U, N1W, N1W1, N1W7, N1W8, N2E, N2E1, N2E7 N2E8, N2E9, N2U, N7E1, N7E2
					-	1	-	1	-	-	----- -----	A1G9, E1G7, E2G7, R1A, R3A, R3A1
					-	1	-	-	-	1	----- -----	A1E, A1E7, A1E8, A1G7, A1W7, A2E, A2E7, A2E8, A2E9 A2G7, A2G9, A7E1, N1E, N1E7, N1S, N1S7, N1W, N1W7 N1W8, N1W9, N2E, N2E1, N2E3, N2E7, N2E8, N2E9, N7A1 N7E1, N7E2
					-	-	1	-	-	-	----- 2439088	A1A, A1C, A1E, A1E7, A1E8, A1G7, A1P, A1W2, A1W7 A2A, A2C, A2E, A2E4, A2E7, A2E8, A2E9, A2G7, A2R A3E, A7E1, N1, N1D, N1E1, N1E2, N1E7, N1R, N1U, N1W N1W1, N1W2, N1W7, N1W8, N1W9, N2, N2E, N2E1, N2E3 N2E7, N2E8, N2E9, N2U, N3U, N3V, N7A1
					-	-	-	1	-	-	----- 2510374	A1A, A1AE, A1AF, A1AS, A1C, A1E7, A1E8, A1W7, A2A A2C, A2E7, A2E8, A2E9, A2G7, A2R, A3A, A7E1, BHH N1A, N1AF, N1C, N1E7, N1U, N1W7, N1W8, N1W9, N2E7 N2E8, N2E9, N2U, N3V, N5A, N5AF, N5C, N7A1, STA1 S1A, S1A1, S3A
					-	-	-	-	1	-		

NOTE A:PART NO. CHANGE D:NEWLY PROVIDED E:PART NO.DELETION K:REQUIRED NO. CORRECTION L:APPLICATION SERIAL NO. CORRECTION  
T:APPLICATION CORRECTION Z:REMARKS CHANGE

PARTS CATALOGUE NEWS

BOOKNo. : 13ZM00E6

Block No.	Ref. No.	Note	Part No.	Description	Reqd. QTY						Serial No.	Parts catalogue code		
					GCV 135	GCV 135E	GCV 160	GCV 160A	GCV 135A	GCV 160E				
	3	L	16956-ZG9-M00	BRACKET, FUEL COCK .....	-	1	-	1	-	-	-	-----	-----	A1G9, E1G7, E2G7, R1A, R3A, R3A1
					-	1	-	-	-	1	-	-----	-----	A1E, A1E7, A1E8, A1G7, A1W7, A2E, A2E7, A2E8, A2E9 A2G7, A2G9, N1E, N1E7, N1S, N1S7, N1W, N1W7, N1W8 N1W9, N2E, N2E1, N2E3, N2E7, N2E8, N2E9
					-	-	-	1	-	-	-----	2510374		A1A, A1AE, A1AF, A1AS, A1C, A1E7, A1E8, A1W7, A2A A2C, A2E7, A2E8, A2E9, A2G7, A2R, A3A, A7E1, BHH N1A, N1AF, N1C, N1E7, N1U, N1W7, N1W8, N1W9, N2E7 N2E8, N2E9, N2U, N3V, N5A, N5AF, N5C, N7A1, STA1 S1A, S1A1, S3A
					-	-	-	-	1	-	-----	-----		
	5	L	17702-ZM0-000	TUBE, FUEL .....	1	1	1	1	-	-	-----	-----		A1G9, A1J, A1U, A2U, A4E, E1G7, E2G7, N2D, N2E2, R1A R3A, R3A1
					1	1	-	-	-	1	-----	-----		A1D, A1E1, A1G7, A1W7, A2D, A2E1, A2G9, A3E, N1E N1E7, N1W9, N2E3, N7A1, S2E, S2E1
					1	-	-	-	-	-	-----	-----		N1E1
					1	-	-	-	-	-	-----	1623712		A1A, A1C, A1E, A1E7, A1E8, A2A, A2C, A2E, A2E4, A2E7 A2E8, A2E9, A2G, A2G7, A2R, A7E1, N1D, N1G, N1S N1S7, N1U, N1W, N1W1, N1W7, N1W8, N2E, N2E1, N2E7 N2E8, N2E9, N2U, N7E1, N7E2
					-	1	-	-	-	1	-----	-----		A1E, A1E7, A1E8, A2E, A2E7, A2E8, A2E9, A2G, A2G7 A7E1, N1G, N1S, N1S7, N1W, N1W7, N1W8, N2E, N2E1 N2E7, N2E8, N2E9, N7E1, N7E2
					-	-	1	-	-	-	-----	2439088		A1A, A1C, A1E, A1E7, A1E8, A1G7, A1P, A1W2, A1W7 A2A, A2C, A2E, A2E4, A2E7, A2E8, A2E9, A2G7, A2R A3E, A7E1, N1, N1D, N1E1, N1E2, N1E7, N1R, N1U, N1W N1W1, N1W2, N1W7, N1W8, N1W9, N2, N2E, N2E1, N2E3 N2E7, N2E8, N2E9, N2U, N3U, N3V, N7A1
					-	-	-	1	-	-	-----	2510374		A1A, A1AE, A1AF, A1AS, A1C, A1E7, A1E8, A1W7, A2A A2C, A2E7, A2E8, A2E9, A2G7, A2R, A3A, A7E1, BHH N1A, N1AF, N1C, N1E7, N1U, N1W7, N1W8, N1W9, N2E7 N2E8, N2E9, N2U, N3V, N5A, N5AF, N5C, N7A1, STA1 S1A, S1A1, S3A
					-	-	-	-	1	-	-----	-----		
	11		17701-Z0L-000	TUBE, FUEL TANK .....	-	-	-	1	-	-	-----	-----		E1G7, E2G7, R1A, R3A, R3A1

NOTE A:PART NO. CHANGE D:NEWLY PROVIDED E:PART NO.DELETION K:REQUIRED NO. CORRECTION L:APPLICATION SERIAL NO. CORRECTION  
T:APPLICATION CORRECTION Z:REMARKS CHANGE

PARTS CATALOGUE NEWS

BOOKNo. : 13ZM00E6

Block No.	Ref. No.	Note	Part No.	Description	Reqd. QTY						Serial No.	Parts catalogue code	
					GCV 135	GCV 135E	GCV 160	GCV 160A	GCV 135A	GCV 160E			
					-	-	-	1	-	-	-----	2510374	A1A, A1AE, A1AF, A1AS, A1C, A1E7, A1E8, A1W7, A2A A2C, A2E7, A2E8, A2E9, A2G7, A2R, A3A, BHH, N1A N1AF, N1C, N1E7, N1U, N1W7, N1W8, N1W9, N2E7, N2E8 N2E9, N2U, N3V, N5A, N5AF, N5C, STA1, S1A, S1A1, S3A
		A	95001-55150-40	TUBE, FUEL, 5. 3X150 (95001-55001-60M)	-	-	-	1	-	-	-----	2510375	A1A, A1AE, A1AF, A1AS, A1C, A1E7, A1E8, A1W7, A2A A2C, A2E7, A2E8, A2E9, A2G7, A2R, A3A, BHH, N1A N1AF, N1C, N1E7, N1U, N1W7, N1W8, N1W9, N2E7, N2E8 N2E9, N2U, N3V, N5A, N5AF, N5C, STA1, S1A, S1A1, S3A
	14	L	95002-50000	CLIP, TUBE (C9) .....	1	1	1	1	-	-	-----	-----	A1G9, A1J, A1U, A2U, A4E, E1G7, E2G7, N2D, N2E2, R1A R3A, R3A1
					1	1	-	-	-	1	-----	-----	A1D, A1E1, A1G7, A1W7, A2D, A2E1, A2G9, A3E, N1E N1E7, N1W9, N2E3, N7A1, S2E, S2E1
					1	-	-	-	-	-	-----	-----	N1E1
					1	-	-	-	-	-	-----	1623712	A1A, A1C, A1E, A1E7, A1E8, A2A, A2C, A2E, A2E4, A2E7 A2E8, A2E9, A2G, A2G7, A2R, A7E1, N1D, N1G, N1S N1S7, N1U, N1W, N1W1, N1W7, N1W8, N2E, N2E1, N2E7 N2E8, N2E9, N2U, N7E1, N7E2
					-	1	-	-	-	1	-----	-----	A1E, A1E7, A1E8, A2E, A2E7, A2E8, A2E9, A2G, A2G7 A7E1, N1G, N1S, N1S7, N1W, N1W7, N1W8, N2E, N2E1 N2E7, N2E8, N2E9, N7E1, N7E2
					-	-	1	-	-	-	-----	2439088	A1A, A1C, A1E, A1E7, A1E8, A1G7, A1P, A1W2, A1W7 A2A, A2C, A2E, A2E4, A2E7, A2E8, A2E9, A2G7, A2R A3E, A7E1, N1, N1D, N1E1, N1E2, N1E7, N1R, N1U, N1W N1W1, N1W2, N1W7, N1W8, N1W9, N2, N2E, N2E1, N2E3 N2E7, N2E8, N2E9, N2U, N3U, N3V, N7A1
					-	-	-	1	-	-	-----	2510374	A1A, A1AE, A1AF, A1AS, A1C, A1E7, A1E8, A1W7, A2A A2C, A2E7, A2E8, A2E9, A2G7, A2R, A3A, A7E1, BHH N1A, N1AF, N1C, N1E7, N1U, N1W7, N1W8, N1W9, N2E7 N2E8, N2E9, N2U, N3V, N5A, N5AF, N5C, N7A1, STA1 S1A, S1A1, S3A
					-	-	-	-	1	-	-----	-----	
	31	T	16950-ZMO-003	COCK ASSY., FUEL .....	1	-	-	-	-	-	-----	1623713	A1A, A1C, A1E, A1E7, A1E8, A2A, A2C, A2E, A2E4, A2E7 A2E8, A2E9, A2G, A2G7, A2R, A7E1, N1D, N1G, N1S N1S7, N1U, N1W, N1W1, N1W7, N1W8, N2E, N2E1, N2E7 N2E8, N2E9, N2U, N7E1, N7E2
					-	1	-	1	-	1	-----	-----	A2G4, N1E1, N1R, N2KA

NOTE A:PART NO. CHANGE D:NEWLY PROVIDED E:PART NO. DELETION K:REQUIRED NO. CORRECTION L:APPLICATION SERIAL NO. CORRECTION  
T:APPLICATION CORRECTION Z:REMARKS CHANGE



PARTS CATALOGUE NEWS

BOOKNo. : 13ZM00E6

Block No.	Ref. No.	Note	Part No.	Description	Reqd. QTY						Serial No.	Parts catalogue code		
					GCV 135	GCV 135E	GCV 160	GCV 160A	GCV 135A	GCV 160E				
					-	1	-	-	-	-	1	-----	-----	A2R, N1U
					-	-	1	-	-	-	1	-----	-----	N1J1
					-	-	1	-	-	-	-	2439089	-----	A1A, A1C, A1E, A1E7, A1E8, A1G7, A1P, A1W2, A1W7 A2A, A2C, A2E, A2E4, A2E7, A2E8, A2E9, A2G7, A2R A3E, A7E1, N1, N1D, N1E1, N1E2, N1E7, N1R, N1U, N1W N1W1, N1W2, N1W7, N1W8, N1W9, N2, N2E, N2E1, N2E3 N2E7, N2E8, N2E9, N2U, N3U, N3V, N7A1
					-	-	-	1	-	-	1	-----	-----	A1E, A1G9, A1M, A1P, A2A9, A3E, A3E7, A3W7, A3W8 EHHB, E1A2, E1A4, E5A4, NBL1, N1D, N1E2, N1L, N1T8 N1T9, N3T8, N3T9, N3U, N3W8, N3W9, N7S1, RTL1, STL1 S1E1, S3A2, S3H, S3H2
					-	-	-	1	-	-	-	2510375	-----	A1A, A1AE, A1AF, A1AS, A1C, A1E7, A1E8, A1W7, A2A A2C, A2E7, A2E8, A2E9, A2G7, A2R, A3A, A7E1, BHH N1A, N1AF, N1C, N1E7, N1U, N1W7, N1W8, N1W9, N2E7 N2E8, N2E9, N2U, N3V, N5A, N5AF, N5C, N7A1, STA1 S1A, S1A1, S3A
	32	T	17702-ZM0-800	TUBE, FUEL .....	1	-	-	-	-	-	-	1623713	-----	A1A, A1C, A1E, A1E7, A1E8, A2A, A2C, A2E, A2E4, A2E7 A2E8, A2E9, A2G, A2G7, A2R, A7E1, N1D, N1G, N1S N1S7, N1U, N1W, N1W1, N1W7, N1W8, N2E, N2E1, N2E7 N2E8, N2E9, N2U, N7E1, N7E2
					-	1	-	1	-	-	1	-----	-----	A2G4, N1E1, N1R, N2KA
					-	1	-	-	-	-	1	-----	-----	A2R, N1U
					-	-	1	-	-	-	1	-----	-----	N1J1
					-	-	1	-	-	-	-	2439089	-----	A1A, A1C, A1E, A1E7, A1E8, A1G7, A1P, A1W2, A1W7 A2A, A2C, A2E, A2E4, A2E7, A2E8, A2E9, A2G7, A2R A3E, A7E1, N1, N1D, N1E1, N1E2, N1E7, N1R, N1U, N1W N1W1, N1W2, N1W7, N1W8, N1W9, N2, N2E, N2E1, N2E3 N2E7, N2E8, N2E9, N2U, N3U, N3V, N7A1
					-	-	-	1	-	-	1	-----	-----	A1E, A1G9, A1M, A1P, A2A9, A3E, A3E7, A3W7, A3W8 EHHB, E1A2, E1A4, E5A4, NBL1, N1D, N1E2, N1L, N1T8 N1T9, N3T8, N3T9, N3U, N3W8, N3W9, N7S1, RTL1, STL1 S1E1, S3A2, S3H, S3H2
					-	-	-	1	-	-	-	2510375	-----	A1A, A1AE, A1AF, A1AS, A1C, A1E7, A1E8, A1W7, A2A A2C, A2E7, A2E8, A2E9, A2G7, A2R, A3A, A7E1, BHH N1A, N1AF, N1C, N1E7, N1U, N1W7, N1W8, N1W9, N2E7 N2E8, N2E9, N2U, N3V, N5A, N5AF, N5C, N7A1, STA1 S1A, S1A1, S3A

NOTE A:PART NO. CHANGE D:NEWLY PROVIDED E:PART NO.DELETION K:REQUIRED NO. CORRECTION L:APPLICATION SERIAL NO. CORRECTION  
T:APPLICATION CORRECTION Z:REMARKS CHANGE

PARTS CATALOGUE NEWS

BOOKNo. : 13ZM00E6

Block No.	Ref. No.	Note	Part No.	Description	Reqd. QTY						Serial No.	Parts catalogue code
					GCV 135	GCV 135E	GCV 160	GCV 160A	GCV 135A	GCV 160E		
	33	D	95002-02080	CLIP, TUBE (B8) .....	1	-	-	-	-	-	1623713 -----	A1A, A1C, A1E, A1E7, A1E8, A2A, A2C, A2E, A2E4, A2E7 A2E8, A2E9, A2G, A2G7, A2R, A7E1, N1D, N1G, N1S N1S7, N1U, N1W, N1W1, N1W7, N1W8, N2E, N2E1, N2E7 N2E8, N2E9, N2U, N7E1, N7E2
					-	1	-	1	-	1	-----	A2G4, N1E1, N1R, N2KA
					-	1	-	-	-	1	-----	A2R, N1U
					-	-	1	-	-	1	-----	N1J1
					-	-	1	-	-	-	2439089 -----	A1A, A1C, A1E, A1E7, A1E8, A1G7, A1P, A1W2, A1W7 A2A, A2C, A2E, A2E4, A2E7, A2E8, A2E9, A2G7, A2R A3E, A7E1, N1, N1D, N1E1, N1E2, N1E7, N1R, N1U, N1W N1W1, N1W2, N1W7, N1W8, N1W9, N2, N2E, N2E1, N2E3 N2E7, N2E8, N2E9, N2U, N3U, N3V, N7A1
					-	-	-	1	-	1	-----	A1E, A1G9, A1M, A1P, A2A9, A3E, A3E7, A3W7, A3W8 EHHB, E1A2, E1A4, E5A4, NBL1, N1D, N1E2, N1L, N1T8 N1T9, N3T8, N3T9, N3U, N3W8, N3W9, N7S1, RTL1, STL1 S1E1, S3A2, S3H, S3H2
					-	-	-	1	-	-	2510375 -----	A1A, A1AE, A1AF, A1AS, A1C, A1E7, A1E8, A1W7, A2A A2C, A2E7, A2E8, A2E9, A2G7, A2R, A3A, A7E1, BHH N1A, N1AF, N1C, N1E7, N1U, N1W7, N1W8, N1W9, N2E7 N2E8, N2E9, N2U, N3V, N5A, N5AF, N5C, N7A1, STA1 S1A, S1A1, S3A

NOTE A:PART NO. CHANGE D:NEWLY PROVIDED E:PART NO. DELETION K:REQUIRED NO. CORRECTION L:APPLICATION SERIAL NO. CORRECTION  
T:APPLICATION CORRECTION Z:REMARKS CHANGE



# PARTS CATALOGUE NEWS

Honda Motor Co., Ltd. Service Division

## PARTS CATALOGUE - CORRECTED

Printed in Japan

CODE NO.	BOOKLET TYPE	13ZM00E6
	MICRO-FICHE	13ZM00EF/FF
PARTS CATALOGUE TITLE	GCV135 GCV135E GCV160 GCV160A GCV135A GCV160E	
NEWS NO.	014	

Block No.	Ref. No.	Note	Part No.	Description	Reqd. QTY						Serial No.	Parts catalogue code
					GCV 135	GCV 135E	GCV 160	GCV 160A	GCV 135A	GCV 160E		
E-11	1	T	28400-ZMO-633ZA	STARTER ASSY., RECOIL (LONG ROPE)								
				*NH1*.....BLACK	-	1	-	1	-	1	-----	A1A, A1AE, A1AF, A1AS, A1C, A1E, A1E7, A1E8, A1G7 A1M, A1P, A2A, A2C, A2E, A2E7, A2E8, A2E9, A2G7, A3A A3E, A3E7, A3W8, BHH, EHHB, E1A2, E1G7, E2G7, N1R N1S, N1S7, N1T8, N1T9, N1W, N1W7, N2KA, N3T8, N3T9 N3U, N3W8, N3W9, R1A, R3A, S1A, S2E, S3A, S3A2, S3H S3H2
					-	-	-	-	-	1	-----	A1W7, N1W8, N1W9
	T	28400-ZMO-633ZC	*YR288R*.....WOLF ORANGE	-	1	-	1	-	1	-----	A1W7, A3W7, E1G7, E2G7, N1W8, N1W9, N3W8, N3W9, R1A R3A	
					-	-	-	-	-	1	-----	N1W7
E-12	6	T	19610-Z1L-000ZA	COVER COMP., FAN								
				*NH1*.....BLACK	-	-	-	-	-	1	-----	A1G9, A2A9, A2G4, A2R, A3E9, A3W8, N1D, N1E1, N1E2 N1J1, N1R, N1T8, N1T9, N3T8, N3T9, N3W8, N3W9
	T	19610-Z1L-000ZC	*Y166R*.....WOLF YELLOW	-	-	-	-	-	1	-----	A3W7, N3W8, N3W9	

NOTE A:PART NO. CHANGE D:NEWLY PROVIDED E:PART NO. DELETION K:REQUIRED NO. CORRECTION L:APPLICATION SERIAL NO. CORRECTION  
T:APPLICATION CORRECTION Z:REMARKS CHANGE

August 04, 2005



## PARTS CATALOGUE NEWS

Honda Motor Co., Ltd. Service Division

Printed in Japan

CODE NO.	BOOKLET TYPE	13ZM00E6
	MICRO- FICHE	13ZM00EF/FF
PARTS CATALOGUE TITLE	GCV135 GCV135E GCV160 GCV160A GCV135A GCV160E	
NEWS NO.	015	

### GCV160E-A3E9 TYPE sales parts information

NOTE: This Parts Catalogue News explains only the parts of the different model that are produced to conform to addition of the GCV160E-A3E9 type.

As for the parts not listed on this Parts Catalogue News, use the parts of the GCV160E-A3E7 type.

BOOKNo. : 13ZM00E6

## • Models, parts catalogue codes and applicable serial numbers

Model	Type		Parts catalogue type	Applicable engine serial No.	Applicable carburetor identification No.
GCV160E	A3E7	Base type	A3E7	GJAAE-1000001~	BB62B D
	A3E9	Additional type	A3E9		BB62B E

## • Features of each type

		Base type	Additional type
Specifications	Model	GCV160E	
	Type	A3E7	A3E9
Crankshaft	20ØX133.8mm		
	22.2ØX100.4mm		
	22.2ØX117.4mm		
	22.2ØX135.7mm		
	25ØX117.4mm		
	25ØX135.7mm	●	●
Recoil starter			●
Recoil starter (Long rope)		●	
Flywheel brake		●	●

NOTE A:PART NO. CHANGE D:NEWLY PROVIDED E:PART NO. DELETION K:REQUIRED NO. CORRECTION L:APPLICATION SERIAL NO. CORRECTION  
T:APPLICATION CORRECTION Z:REMARKS CHANGE

PARTS CATALOGUE NEWS

BOOKNo. : 13ZM00E6

Block No.	Ref. No.	Part No.	Description	Reqd. QTY						Base Part No.	Parts catalogue code
				GCV 135	GCV 135E	GCV 160	GCV 160A	GCV 135A	GCV 160E		
E-8	1	13101-Z2A-000	PISTON .....	-	-	-	-	-	1	13101-ZL8-000	
	6	13010-Z0L-003	RING SET, PISTON (RIKEN) .....	-	-	-	-	-	1	13010-ZL8-003	
		13010-Z0L-004	RING SET, PISTON (TEIKOKU) ...	-	-	-	-	-	1	13010-ZL8-024	
E-10	4	14431-Z0J-000	ARM, IN. VALVE ROCKER .....	-	-	-	-	-	1	14431-ZL8-000	
	5	14441-Z0J-000	ARM, EX. VALVE ROCKER .....	-	-	-	-	-	1	14441-ZL8-000	
	7	14711-ZL8-000	VALVE, IN. ....	-	-	-	-	-	1	14711-Z0J-000	
E-11	1		STARTER ASSY., RECOIL (LONG ROPE) *NH1*..... BLACK	-	-	-	-	-	0	28400-ZM0-633ZA	
	9	28462-ZL8-003	ROPE, RECOIL STARTER .....	-	-	-	-	-	1	28462-ZL8-631	
	14	28400-Z0M-801	STARTER ASSY., RECOIL .....	-	-	-	-	-	1		
	15	66871-KY2-700	NUT, UPPER COWL .....	-	-	-	-	-	3		
	6	19610-Z1L-000ZA	COVER COMP., FAN *NH1*..... BLACK	-	-	-	-	-	1	19610-ZM0-010ZA	
E-14	7	16100-ZM0-804	CARBURETOR ASSY. (BB62B E) ...	-	-	-	-	-	1	16100-ZM0-803	
E-15	2	17211-ZL8-013	ELEMENT, AIR CLEANER .....	-	-	-	-	-	1	17211-ZL8-003	
E-22	6		HOLDER, CABLE .....	-	-	-	-	-	0	16576-891-000	
	24	16617-VG3-000	HOLDER, CABLE .....	-	-	-	-	-	1		
E-27	1	16613-883-610	GROMMET, CHOKE ROD .....	-	-	-	-	-	2		
	2	19721-Z0M-000ZA	COVER, TOP *NH1*..... BLACK	-	-	-	-	-	1		
	3	90137-SH3-000	SCREW, TAPPING, 4X16 .....	-	-	-	-	-	3		
E-28	1	87101-ZM0-800	EMBLEM (GCV160 5.5) .....	-	-	-	-	-	1	87101-ZM0-010	
	19		LABEL, E-SPEC (15.5X27.5) ....	-	-	-	-	-	0	87135-ZE2-020	

NOTE A:PART NO. CHANGE D:NEWLY PROVIDED E:PART NO.DELETION K:REQUIRED NO. CORRECTION L:APPLICATION SERIAL NO. CORRECTION  
T:APPLICATION CORRECTION Z:REMARKS CHANGE



# PARTS CATALOGUE NEWS

Honda Motor Co., Ltd. Service Division

## PARTS CATALOGUE - CORRECTED

Printed in Japan

CODE NO.	BOOKLET TYPE	13ZM00E6
	MICRO-FICHE	13ZM00EF/FF
PARTS CATALOGUE TITLE	GCV135 GCV135E GCV160 GCV160A GCV135A GCV160E	
NEWS NO.	016	

Block No.	Ref. No.	Note	Part No.	Description	Reqd. QTY						Serial No.	Parts catalogue code	
					GCV 135	GCV 135E	GCV 160	GCV 160A	GCV 135A	GCV 160E			
E-12	6	T	19610-ZOL-800ZA	COVER COMP., FAN *NH1*.....BLACK	-	-	-	1	-	-	-----	-----	STA1, STL1, S1A, S1A1, S3A, S3H2
E-15	2	T	17211-ZL8-013	ELEMENT, AIR CLEANER .....	-	-	-	1	-	1	-----	-----	A1M, A3W7, A3W8, NBL1, N1L, N3T8, N3T9, N3W8, N3W9 N7S1, RTL1, STL1, S3A2, S3H, S3H2
		A	17211-ZL8-023	.....	-	-	-	-	-	1	-----	-----	A3E9

NOTE A:PART NO. CHANGE D:NEWLY PROVIDED E:PART NO.DELETION K:REQUIRED NO. CORRECTION L:APPLICATION SERIAL NO. CORRECTION  
T:APPLICATION CORRECTION Z:REMARKS CHANGE



# PARTS CATALOGUE NEWS

Honda Motor Co., Ltd. Service Division

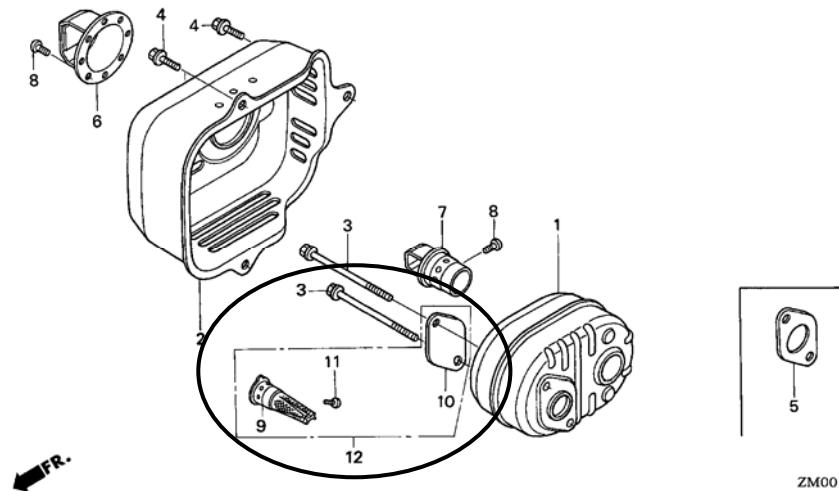
## PARTS CATALOGUE - CORRECTED

Printed in Japan

CODE NO.	BOOKLET TYPE	13ZM00E6
	MICRO-FICHE	13ZM00EF/FF
PARTS CATALOGUE TITLE	GCV135 GCV135E GCV160 GCV160A GCV135A GCV160E	
NEWS NO.	017	

Block No.	Ref. No.	Note	Part No.	Description	Reqd. QTY	Serial No.	Parts catalogue code
					GCV 135 GCV 135E GCV 160 GCV 160A GCV 135A GCV 160E		

E-16 MUFFLER



ZM00-E1600F

NOTE A:PART NO. CHANGE D:NEWLY PROVIDED E:PART NO.DELETION K:REQUIRED NO. CORRECTION L:APPLICATION SERIAL NO. CORRECTION  
T:APPLICATION CORRECTION Z:REMARKS CHANGE



PARTS CATALOGUE NEWS

BOOKNo. : 13ZM00E6

Block No.	Ref. No.	Note	Part No.	Description	Reqd. QTY						Serial No.	Parts catalogue code	
					GCV 135	GCV 135E	GCV 160	GCV 160A	GCV 135A	GCV 160E			
E-16	9	T	18350-ZL8-000	ARRESTER COMP., SPARK .....	1	1	1	1	-	1	-----	-----	A1E8, A2E8, A3W7, A3W8, N1T8, N1T9, N3T8, N3T9 N3W8, N3W9
					(1)	(1)	(1)	(1)	-	(1)	-----	-----	A1A, A1AE, A1AF, A1AS, A1C, A1M, A2A, A2A9, A2C, A2R A3A, BHH, EHHB, E1A2, E1A4, E5A4, NBL1, N1A, N1AF N1C, N1L, N2KA, N5A, N5AF, N5C, N7A1, N7S1, RTL1 R1A, R3A, R3A1, STA1, STL1, S1A, S1A1, S3A, S3A2 S3H, S3H2
					-	-	-	-	(1)	-			
	10	T	18356-ZL8-000	PLATE, ARRESTER NUMBER .....	(1)	(1)	(1)	(1)	-	(1)	-----	-----	A1A, A1AE, A1AF, A1AS, A1C, A1M, A2A, A2A9, A2C, A2R A3A, BHH, EHHB, E1A2, E1A4, E5A4, NBL1, N1A, N1AF N1C, N1L, N2KA, N5A, N5AF, N5C, N7A1, N7S1, RTL1 R1A, R3A, R3A1, STA1, STL1, S1A, S1A1, S3A, S3A2 S3H, S3H2
					-	-	-	-	(1)	-			
	11	T	90055-ZE1-000	SCREW, TAPPING, 4X6 .....	1	1	1	1	-	1	-----	-----	A1E8, A2E8, A3W7, A3W8, N1T8, N1T9, N3T8, N3T9 N3W8, N3W9
					(1)	(1)	(1)	(1)	-	(1)	-----	-----	A1A, A1AE, A1AF, A1AS, A1C, A1M, A2A, A2A9, A2C, A2R A3A, BHH, EHHB, E1A2, E1A4, E5A4, NBL1, N1A, N1AF N1C, N1L, N2KA, N5A, N5AF, N5C, N7A1, N7S1, RTL1 R1A, R3A, R3A1, STA1, STL1, S1A, S1A1, S3A, S3A2 S3H, S3H2
					-	-	-	-	(1)	-			
	12	D	06180-Z0J-000	ARRESTER KIT, SPARK .....	-	-	-	(1)	-	-	-----	-----	A1A, A1AE, A1AF, A1AS, A2A, A2R, A3A, BHH, EHHB E1A2, E1A4, E5A4, NBL1, N1A, N1AF, N1C, N5A, N5AF N5C, N7A1, RTL1, R1A, R3A, R3A1, STA1, STL1, S1A S1A1, S3A, S3A2, S3H

NOTE A:PART NO. CHANGE D:NEWLY PROVIDED E:PART NO. DELETION K:REQUIRED NO. CORRECTION L:APPLICATION SERIAL NO. CORRECTION  
T:APPLICATION CORRECTION Z:REMARKS CHANGE



# PARTS CATALOGUE NEWS

Honda Motor Co., Ltd. Service Division

## PARTS CATALOGUE - CORRECTED

Printed in Japan

CODE NO.	BOOKLET TYPE	13ZM00E6
	MICRO-FICHE	13ZM00EF/FF
PARTS CATALOGUE TITLE	GCV135 GCV135E GCV160 GCV160A GCV135A GCV160E	
NEWS NO.	018	

Block No.	Ref. No.	Note	Part No.	Description	Reqd. QTY						Serial No.	Parts catalogue code
					GCV 135	GCV 135E	GCV 160	GCV 160A	GCV 135A	GCV 160E		
E-12	2	T	16950-ZG9-M03	COCK ASSY., FUEL .....	1	-	-	-	-	-	----- 1623712	A1A, A1C, A1E, A1E7, A1E8, A2A, A2C, A2E, A2E4, A2E7 A2E8, A2E9, A2G, A2G7, A2R, A7E1, N1D, N1G, N1S N1S7, N1U, N1W, N1W1, N1W7, N1W8, N2E, N2E1, N2E7 N2E8, N2E9, N2U, N7E1, N7E2
					-	1	-	-	-	1	-----	A1E, A1E7, A1E8, A1G7, A1W7, A2E, A2E7, A2E8, A2E9 A2G7, A2G9, A7E1, N1E, N1E7, N1S, N1S7, N1W, N1W7 N1W8, N1W9, N2E, N2E1, N2E3, N2E7, N2E8, N2E9, N7A1 N7E1, N7E2
					-	1	-	-	-	-	-----	A1G9
					-	-	1	-	-	-	----- 2439088	A1A, A1C, A1E, A1E7, A1E8, A1G7, A1P, A1W2, A1W7 A2A, A2C, A2E, A2E4, A2E7, A2E8, A2E9, A2G7, A2R A3E, A7E1, N1, N1D, N1E1, N1E2, N1E7, N1R, N1U, N1W N1W1, N1W2, N1W7, N1W8, N1W9, N2, N2E, N2E1, N2E3 N2E7, N2E8, N2E9, N2U, N3U, N3V, N7A1
					-	-	-	1	-	-	----- 2510374	A1A, A1AE, A1AF, A1AS, A1C, A1E7, A1E8, A1W7, A2A A2C, A2E7, A2E8, A2E9, A2G7, A2R, A3A, A7E1, BHH N1A, N1AF, N1C, N1E7, N1U, N1W7, N1W8, N1W9, N2E7 N2E8, N2E9, N2U, N3V, N5A, N5AF, N5C, N7A1, STA1 S1A, S1A1, S3A
					-	-	-	-	1	-	-----	

NOTE A:PART NO. CHANGE D:NEWLY PROVIDED E:PART NO. DELETION K:REQUIRED NO. CORRECTION L:APPLICATION SERIAL NO. CORRECTION  
T:APPLICATION CORRECTION Z:REMARKS CHANGE

PARTS CATALOGUE NEWS

BOOKNo. : 13ZM00E6

Block No.	Ref. No.	Note	Part No.	Description	Reqd. QTY						Serial No.	Parts catalogue code	
					GCV 135	GCV 135E	GCV 160	GCV 160A	GCV 135A	GCV 160E			
	3	T	16956-ZG9-M00	BRACKET, FUEL COCK .....	-	1	-	-	-	1	-----	-----	A1E, A1E7, A1E8, A1G7, A1W7, A2E, A2E7, A2E8, A2E9 A2G7, A2G9, N1E, N1E7, N1S, N1S7, N1W, N1W7, N1W8 N1W9, N2E, N2E1, N2E3, N2E7, N2E8, N2E9
					-	1	-	-	-	-	-----	-----	A1G9
					-	-	-	1	-	-	-----	2510374	A1A, A1AE, A1AF, A1AS, A1C, A1E7, A1E8, A1W7, A2A A2C, A2E7, A2E8, A2E9, A2G7, A2R, A3A, A7E1, BHH N1A, N1AF, N1C, N1E7, N1U, N1W7, N1W8, N1W9, N2E7 N2E8, N2E9, N2U, N3V, N5A, N5AF, N5C, N7A1, STA1 S1A, S1A1, S3A
					-	-	-	-	1	-	-----	-----	
	5	T	17702-ZM0-000	TUBE, FUEL .....	1	1	1	-	-	-	-----	-----	A1G9, A1J, A1U, A2U, A4E, N2D, N2E2
					1	1	-	-	-	1	-----	-----	A1D, A1E1, A1G7, A1W7, A2D, A2E1, A2G9, A3E, N1E N1E7, N1W9, N2E3, N7A1, S2E, S2E1
					1	-	-	-	-	-	-----	-----	N1E1
					1	-	-	-	-	-	-----	1623712	A1A, A1C, A1E, A1E7, A1E8, A2A, A2C, A2E, A2E4, A2E7 A2E8, A2E9, A2G, A2G7, A2R, A7E1, N1D, N1G, N1S N1S7, N1U, N1W, N1W1, N1W7, N1W8, N2E, N2E1, N2E7 N2E8, N2E9, N2U, N7E1, N7E2
					-	1	-	-	-	1	-----	-----	A1E, A1E7, A1E8, A2E, A2E7, A2E8, A2E9, A2G, A2G7 A7E1, N1G, N1S, N1S7, N1W, N1W7, N1W8, N2E, N2E1 N2E7, N2E8, N2E9, N7E1, N7E2
					-	-	1	-	-	-	-----	2439088	A1A, A1C, A1E, A1E7, A1E8, A1G7, A1P, A1W2, A1W7 A2A, A2C, A2E, A2E4, A2E7, A2E8, A2E9, A2G7, A2R A3E, A7E1, N1, N1D, N1E1, N1E2, N1E7, N1R, N1U, N1W N1W1, N1W2, N1W7, N1W8, N1W9, N2, N2E, N2E1, N2E3 N2E7, N2E8, N2E9, N2U, N3U, N3V, N7A1
					-	-	-	1	-	-	-----	2510374	A1A, A1AE, A1AF, A1AS, A1C, A1E7, A1E8, A1W7, A2A A2C, A2E7, A2E8, A2E9, A2G7, A2R, A3A, A7E1, BHH N1A, N1AF, N1C, N1E7, N1U, N1W7, N1W8, N1W9, N2E7 N2E8, N2E9, N2U, N3V, N5A, N5AF, N5C, N7A1, STA1 S1A, S1A1, S3A
					-	-	-	-	1	-	-----	-----	
	11	T	17701-ZOL-000	TUBE, FUEL TANK .....	-	-	-	1	-	-	-----	2510374	A1A, A1AE, A1AF, A1AS, A1C, A1E7, A1E8, A1W7, A2A A2C, A2E7, A2E8, A2E9, A2G7, A2R, A3A, BHH, N1A N1AF, N1C, N1E7, N1U, N1W7, N1W8, N1W9, N2E7, N2E8 N2E9, N2U, N3V, N5A, N5AF, N5C, STA1, S1A, S1A1, S3A

NOTE A:PART NO. CHANGE D:NEWLY PROVIDED E:PART NO.DELETION K:REQUIRED NO. CORRECTION L:APPLICATION SERIAL NO. CORRECTION  
T:APPLICATION CORRECTION Z:REMARKS CHANGE

PARTS CATALOGUE NEWS

BOOKNo. : 13ZM00E6

Block No.	Ref. No.	Note	Part No.	Description	Reqd. QTY						Serial No.	Parts catalogue code	
					GCV 135	GCV 135E	GCV 160	GCV 160A	GCV 135A	GCV 160E			
		T	95001-55150-40	TUBE, FUEL, 5. 3X150 (95001-55001-60M)	-	-	1	1	-	1	-----	-----	A1E, A1G7, A1M, A1P, A3E, EHHB, E1A2, E1A4, E1G7 E2G7, E5A4, NBL1, N1D, N1E1, N1E2, N1J1, N1L, N1R N3U, RTL1, R1A, R3A, R3A1, STL1, S3A2, S3H, S3H2
					-	-	1	-	-	1	-----	-----	A1A, A1C, A1E7, A1E8, A1G9, A1J, A1U, A1W2, A1W7 A2A, A2A9, A2C, A2E, A2E4, A2E7, A2E8, A2E9, A2G4 A2G7, A2G9, A2R, A2U, A3E7, A3E9, A3W7, A3W8, A4E N1, N1E7, N1T8, N1T9, N1U, N1W, N1W1, N1W2, N1W7 N1W8, N1W9, N2, N2D, N2E, N2E1, N2E2, N2E3, N2E7 N2E8, N2E9, N2U, N3T8, N3T9, N3V, N3W8, N3W9, S1E1 S2E, S2E1
					-	-	-	1	-	-	2510375	-----	A1A, A1AE, A1AF, A1AS, A1C, A1E7, A1E8, A1W7, A2A A2C, A2E7, A2E8, A2E9, A2G7, A2R, A3A, BHH, N1A N1AF, N1C, N1E7, N1U, N1W7, N1W8, N1W9, N2E7, N2E8 N2E9, N2U, N3V, N5A, N5AF, N5C, STA1, S1A, S1A1, S3A
	14	T	95002-50000	CL IP, TUBE (C9) .....	1	1	1	-	-	-	-----	-----	A1G9, A1J, A1U, A2U, A4E, N2D, N2E2
					1	1	-	-	-	1	-----	-----	A1D, A1E1, A1G7, A1W7, A2D, A2E1, A2G9, A3E, N1E N1E7, N1W9, N2E3, N7A1, S2E, S2E1
					1	-	-	-	-	-	-----	-----	N1E1
					1	-	-	-	-	-	-----	1623712	A1A, A1C, A1E, A1E7, A1E8, A2A, A2C, A2E, A2E4, A2E7 A2E8, A2E9, A2G, A2G7, A2R, A7E1, N1D, N1G, N1S N1S7, N1U, N1W, N1W1, N1W7, N1W8, N2E, N2E1, N2E7 N2E8, N2E9, N2U, N7E1, N7E2
					-	1	-	-	-	1	-----	-----	A1E, A1E7, A1E8, A2E, A2E7, A2E8, A2E9, A2G, A2G7 A7E1, N1G, N1S, N1S7, N1W, N1W7, N1W8, N2E, N2E1 N2E7, N2E8, N2E9, N7E1, N7E2
					-	-	1	-	-	-	-----	2439088	A1A, A1C, A1E, A1E7, A1E8, A1G7, A1P, A1W2, A1W7 A2A, A2C, A2E, A2E4, A2E7, A2E8, A2E9, A2G7, A2R A3E, A7E1, N1, N1D, N1E1, N1E2, N1E7, N1R, N1U, N1W N1W1, N1W2, N1W7, N1W8, N1W9, N2, N2E, N2E1, N2E3 N2E7, N2E8, N2E9, N2U, N3U, N3V, N7A1
					-	-	-	1	-	-	-----	2510374	A1A, A1AE, A1AF, A1AS, A1C, A1E7, A1E8, A1W7, A2A A2C, A2E7, A2E8, A2E9, A2G7, A2R, A3A, A7E1, BHH N1A, N1AF, N1C, N1E7, N1U, N1W7, N1W8, N1W9, N2E7 N2E8, N2E9, N2U, N3V, N5A, N5AF, N5C, N7A1, STA1 S1A, S1A1, S3A
					-	-	-	-	1	-			

NOTE A:PART NO. CHANGE D:NEWLY PROVIDED E:PART NO.DELETION K:REQUIRED NO. CORRECTION L:APPLICATION SERIAL NO. CORRECTION  
T:APPLICATION CORRECTION Z:REMARKS CHANGE

PARTS CATALOGUE NEWS

BOOKNo. : 13ZM00E6

Block No.	Ref. No.	Note	Part No.	Description	Reqd. QTY						Serial No.	Parts catalogue code
					GCV 135	GCV 135E	GCV 160	GCV 160A	GCV 135A	GCV 160E		
	31	T	16950-ZMO-003	COCK ASSY., FUEL .....	1	-	-	-	-	-	1623713	----- A1A, A1C, A1E, A1E7, A1E8, A2A, A2C, A2E, A2E4, A2E7 A2E8, A2E9, A2G, A2G7, A2R, A7E1, N1D, N1G, N1S N1S7, N1U, N1W, N1W1, N1W7, N1W8, N2E, N2E1, N2E7 N2E8, N2E9, N2U, N7E1, N7E2
					-	1	-	1	-	1	-----	----- A2G4, N1E1, N1R, N2KA
					-	1	-	-	-	1	-----	----- A2R, N1U
					-	-	1	-	-	1	-----	----- N1J1
					-	-	1	-	-	-	2439089	----- A1A, A1C, A1E, A1E7, A1E8, A1G7, A1P, A1W2, A1W7 A2A, A2C, A2E, A2E4, A2E7, A2E8, A2E9, A2G7, A2R A3E, A7E1, N1, N1D, N1E1, N1E2, N1E7, N1R, N1U, N1W N1W1, N1W2, N1W7, N1W8, N1W9, N2, N2E, N2E1, N2E3 N2E7, N2E8, N2E9, N2U, N3U, N3V, N7A1
					-	-	-	1	-	1	-----	----- A1E, A1G9, A1M, A1P, A2A9, A3E, A3E7, A3E9, A3W7 A3W8, EHHB, E1A2, E1A4, E1G7, E2G7, E5A4, NBL1, N1D N1E2, N1L, N1T8, N1T9, N3T8, N3T9, N3U, N3W8, N3W9 N7S1, RTL1, R1A, R3A, R3A1, STL1, S1E1, S3A2, S3H S3H2
					-	-	-	1	-	-	2510375	----- A1A, A1AE, A1AF, A1AS, A1C, A1E7, A1E8, A1W7, A2A A2C, A2E7, A2E8, A2E9, A2G7, A2R, A3A, A7E1, BHH N1A, N1AF, N1C, N1E7, N1U, N1W7, N1W8, N1W9, N2E7 N2E8, N2E9, N2U, N3V, N5A, N5AF, N5C, N7A1, STA1 S1A, S1A1, S3A
	32	T	17702-ZMO-800	TUBE, FUEL .....	1	-	-	-	-	-	1623713	----- A1A, A1C, A1E, A1E7, A1E8, A2A, A2C, A2E, A2E4, A2E7 A2E8, A2E9, A2G, A2G7, A2R, A7E1, N1D, N1G, N1S N1S7, N1U, N1W, N1W1, N1W7, N1W8, N2E, N2E1, N2E7 N2E8, N2E9, N2U, N7E1, N7E2
					-	1	-	1	-	1	-----	----- A2G4, N1E1, N1R, N2KA
					-	1	-	-	-	1	-----	----- A2R, N1U
					-	-	1	-	-	1	-----	----- N1J1
					-	-	1	-	-	-	2439089	----- A1A, A1C, A1E, A1E7, A1E8, A1G7, A1P, A1W2, A1W7 A2A, A2C, A2E, A2E4, A2E7, A2E8, A2E9, A2G7, A2R A3E, A7E1, N1, N1D, N1E1, N1E2, N1E7, N1R, N1U, N1W N1W1, N1W2, N1W7, N1W8, N1W9, N2, N2E, N2E1, N2E3 N2E7, N2E8, N2E9, N2U, N3U, N3V, N7A1

NOTE A:PART NO. CHANGE D:NEWLY PROVIDED E:PART NO. DELETION K:REQUIRED NO. CORRECTION L:APPLICATION SERIAL NO. CORRECTION  
T:APPLICATION CORRECTION Z:REMARKS CHANGE

PARTS CATALOGUE NEWS

BOOKNo. : 13ZM00E6

Block No.	Ref. No.	Note	Part No.	Description	Reqd. QTY						Serial No.	Parts catalogue code	
					GCV 135	GCV 135E	GCV 160	GCV 160A	GCV 135A	GCV 160E			
					-	-	-	1	-	1	-----	-----	A1E, A1G9, A1M, A1P, A2A9, A3E, A3E7, A3E9, A3W7 A3W8, EHHB, E1A2, E1A4, E1G7, E2G7, E5A4, NBL1, N1D N1E2, N1L, N1T8, N1T9, N3T8, N3T9, N3U, N3W8, N3W9 N7S1, RTL1, R1A, R3A, R3A1, STL1, S1E1, S3A2, S3H S3H2
					-	-	-	1	-	-	2510375	-----	A1A, A1AE, A1AF, A1AS, A1C, A1E7, A1E8, A1W7, A2A A2C, A2E7, A2E8, A2E9, A2G7, A2R, A3A, A7E1, BHH N1A, N1AF, N1C, N1E7, N1U, N1W7, N1W8, N1W9, N2E7 N2E8, N2E9, N2U, N3V, N5A, N5AF, N5C, N7A1, STA1 S1A, S1A1, S3A
	33	T	95002-02080	CLIP, TUBE (B8) .....	1	-	-	-	-	-	1623713	-----	A1A, A1C, A1E, A1E7, A1E8, A2A, A2C, A2E, A2E4, A2E7 A2E8, A2E9, A2G, A2G7, A2R, A7E1, N1D, N1G, N1S N1S7, N1U, N1W, N1W1, N1W7, N1W8, N2E, N2E1, N2E7 N2E8, N2E9, N2U, N7E1, N7E2
					-	1	-	1	-	1	-----	-----	A2G4, N1E1, N1R, N2KA
					-	1	-	-	-	1	-----	-----	A2R, N1U
					-	-	1	-	-	1	-----	-----	N1J1
					-	-	1	-	-	-	2439089	-----	A1A, A1C, A1E, A1E7, A1E8, A1G7, A1P, A1W2, A1W7 A2A, A2C, A2E, A2E4, A2E7, A2E8, A2E9, A2G7, A2R A3E, A7E1, N1, N1D, N1E1, N1E2, N1E7, N1R, N1U, N1W N1W1, N1W2, N1W7, N1W8, N1W9, N2, N2E, N2E1, N2E3 N2E7, N2E8, N2E9, N2U, N3U, N3V, N7A1
					-	-	-	1	-	1	-----	-----	A1E, A1G9, A1M, A1P, A2A9, A3E, A3E7, A3E9, A3W7 A3W8, EHHB, E1A2, E1A4, E1G7, E2G7, E5A4, NBL1, N1D N1E2, N1L, N1T8, N1T9, N3T8, N3T9, N3U, N3W8, N3W9 N7S1, RTL1, R1A, R3A, R3A1, STL1, S1E1, S3A2, S3H S3H2
					-	-	-	1	-	-	2510375	-----	A1A, A1AE, A1AF, A1AS, A1C, A1E7, A1E8, A1W7, A2A A2C, A2E7, A2E8, A2E9, A2G7, A2R, A3A, A7E1, BHH N1A, N1AF, N1C, N1E7, N1U, N1W7, N1W8, N1W9, N2E7 N2E8, N2E9, N2U, N3V, N5A, N5AF, N5C, N7A1, STA1 S1A, S1A1, S3A
E-16	12	T	06180-Z0J-000	ARRESTER KIT, SPARK .....	-	-	-	(1)	-	-	-----	-----	A1A, A1AE, A1AF, A1AS, A2A, A2R, A3A, BHH, EHHB E1A2, E1A4, E5A4, NBL1, N1A, N1AF, N1C, N5A, N5AF N5C, N7A1, N7S1, RTL1, R1A, R3A, R3A1, STA1, STL1 S1A, S1A1, S3A, S3A2, S3H

NOTE A:PART NO. CHANGE D:NEWLY PROVIDED E:PART NO.DELETION K:REQUIRED NO. CORRECTION L:APPLICATION SERIAL NO. CORRECTION  
T:APPLICATION CORRECTION Z:REMARKS CHANGE



# PARTS CATALOGUE NEWS

Honda Motor Co., Ltd. Service Division

## PARTS CATALOGUE - CORRECTED

Printed in Japan

CODE NO.	BOOKLET TYPE	13ZM00E6
	MICRO-FICHE	13ZM00EF/FF
PARTS CATALOGUE TITLE	GCV135 GCV135E GCV160 GCV160A GCV135A GCV160E	
NEWS NO.	019	

Block No.	Ref. No.	Note	Part No.	Description	Reqd. QTY						Serial No.	Parts catalogue code	
					GCV 135	GCV 135E	GCV 160	GCV 160A	GCV 135A	GCV 160E			
E-12	8	T	33609-GK4-620	COLLAR, FR. WINKER .....	1	1	1	-	1	1			
					-	-	-	1	-	-	-----	-----	A1A, A1AS, A1C, A1E, A1E7, A1E8, A1M, A1W7, A2A, A2C A2E7, A2E8, A2E9, A2G7, A2R, A3E, A7E1, BHH, EHHB E1G7, E2G7, NBL1, N1A, N1C, N1E1, N1E7, N1L, N1R N1U, N1W7, N1W8, N1W9, N2E7, N2E8, N2E9, N2U, N3U N3V, N5A, N5C, N7A1, N7S1
		T	91501-ZOL-800	COLLAR, FUEL COCK .....	-	-	-	1	-	-	-----	-----	A1AE, A1AF, A3A, E1A2, E1A4, E5A4, N1AF, N5AF, RTL1 R1A, R3A, R3A1, STA1, STL1, S1A, S1A1, S3A, S3A2 S3H, S3H2
E-19	5	E	32195-ZOL-820	*PARTS NO. DELETION									

NOTE A:PART NO. CHANGE D:NEWLY PROVIDED E:PART NO. DELETION K:REQUIRED NO. CORRECTION L:APPLICATION SERIAL NO. CORRECTION  
T:APPLICATION CORRECTION Z:REMARKS CHANGE



# PARTS CATALOGUE NEWS

Honda Motor Co., Ltd. Service Division

## PARTS CATALOGUE - CORRECTED

Printed in Japan

CODE NO.	BOOKLET TYPE	13ZM00E6
	MICRO-FICHE	13ZM00EF/FF
PARTS CATALOGUE TITLE	GCV135 GCV135E GCV160 GCV160A GCV135A GCV160E	
NEWS NO.	020	

Block No.	Ref. No.	Note	Part No.	Description	Reqd. QTY						Serial No.	Parts catalogue code
					GCV 135	GCV 135E	GCV 160	GCV 160A	GCV 135A	GCV 160E		
E-12	6	T	19610-ZOL-000ZD	COVER COMP., FAN *R280*..... POWER RED	-	-	-	1	-	-	-----	A1E, A3E, N1E1, N1R, N3U, S3H
		D	19610-ZOL-800ZB	*R280*..... POWER RED	-	-	-	1	-	-	-----	S3A

NOTE A:PART NO. CHANGE D:NEWLY PROVIDED E:PART NO.DELETION K:REQUIRED NO. CORRECTION L:APPLICATION SERIAL NO. CORRECTION  
T:APPLICATION CORRECTION Z:REMARKS CHANGE





# PARTS CATALOGUE NEWS

Honda Motor Co., Ltd. Service Division

## PARTS CATALOGUE - CORRECTED

Printed in Japan

CODE NO.	BOOKLET TYPE	13ZM00E6
	MICRO-FICHE	13ZM00EF/FF
PARTS CATALOGUE TITLE	GCV135 GCV135E GCV160 GCV160A GCV135A GCV160E	
NEWS NO.	021	

Block No.	Ref. No.	Note	Part No.	Description	Reqd. QTY						Serial No.	Parts catalogue code	
					GCV 135	GCV 135E	GCV 160	GCV 160A	GCV 135A	GCV 160E			
E-14	7	L	16100-ZOL-781	CARBURETOR ASSY. (BB62F A) ...	-	-	1	-	-	1	-----	A7E1, N7A1	
					-	-	-	1	-	-	-----	1456295	A7E1, N7A1
			T	16100-ZOL-782	CARBURETOR ASSY. (BB62F B) ...	-	-	-	1	-	-	-----	N7S1
					-	-	-	1	-	-	1456296	-----	A7E1, N7A1
E-16	2	T	18321-ZL8-000	PROTECTOR, MUFFLER .....	1	1	1	-	-	1	-----	A1A, A1C, A1D, A1E, A1E1, A1E7, A1E8, A1G7, A1G9 A1J, A1U, A1W2, A1W7, A2A, A2A9, A2C, A2D, A2E, A2E1 A2E4, A2E7, A2E8, A2E9, A2G4, A2G7, A2G9, A2R, A2U A3E, A3E7, A3E9, A3W7, A3W8, A4E, N1, N1D, N1E, N1E1 N1E2, N1E7, N1J1, N1R, N1T8, N1T9, N1U, N1W, N1W1 N1W2, N1W7, N1W8, N1W9, N2, N2D, N2E, N2E1, N2E2 N2E3, N2E7, N2E8, N2E9, N2KA, N2U, N3T8, N3T9, N3U N3V, N3W9, S1E1, S2E, S2E1	
					-	-	-	-	1	-	-----	A1A, A1AF, A1AS, A1C, A1E, A1E7, A1E8, A1M, A1W7 A2A, A2C, A2E7, A2E8, A2E9, A2G7, A2R, A3A, A3E E1A2, E1A4, E1G7, E2G7, E5A4, N1A, N1AF, N1C, N1E1 N1E7, N1L, N1R, N1U, N1W7, N1W8, N1W9, N2E7, N2E8 N2E9, N2U, N3U, N3V, N5A, N5AF, N5C, R1A, R3A1, S1A S1A1, S3A2	
			T	18321-ZOL-000	.....	-	-	-	1	-	-----		

NOTE A:PART NO. CHANGE D:NEWLY PROVIDED E:PART NO. DELETION K:REQUIRED NO. CORRECTION L:APPLICATION SERIAL NO. CORRECTION  
T:APPLICATION CORRECTION Z:REMARKS CHANGE



# PARTS CATALOGUE NEWS

Honda Motor Co., Ltd. Service Division

## PARTS CATALOGUE - CORRECTED

Printed in Japan

CODE NO.	BOOKLET TYPE	13ZM00E6
	MICRO- FICHE	13ZM00EF/FF
PARTS CATALOGUE TITLE	GCV135 GCV135E GCV160 GCV160A GCV135A GCV160E	
NEWS NO.	022	

Block No.	Ref. No.	Note	Part No.	Description	Reqd. QTY						Serial No.	Parts catalogue code	
					GCV 135	GCV 135E	GCV 160	GCV 160A	GCV 135A	GCV 160E			
E-14	7		16100-ZM0-803	CARBURETOR ASSY. (BB62B D) ...	-	-	1	-	-	1	-----	-----	A1E7, A1E8, A1G7, A1G9, A1W2, A1W7, A2A9, A2E4 A2E7, A2E8, A2E9, A2G4, A2G7, A2G9, A2R, A3E7, N1E7 N1J1, N1R, N1T8, N1T9, N1W1, N1W2, N1W7, N1W8, N1W9 N2E7, N2E8, N2E9, N3U
					-	-	1	-	-	-	1676296	-----	A1A, A1C, A2A, A2C
					-	-	1	-	-	-	1733303	-----	A1E, A1J, A1P, A1U, A2E, A2U, A3E, A4E, N1, N1D, N1E1 N1E2, N1U, N1W, N2, N2D, N2E, N2E1, N2E2, N2E3, N2U N3V
					-	-	-	1	-	-	-----	2225727	A1AE, A1AF, A3A, N1AF, N5AF
					-	-	-	1	-	-	-----	3201357	A1A, A1AS, A1C, A1E, A1E7, A1E8, A1W7, A2A, A2C A2E7, A2E8, A2E9, A2G7, A2R, A3E, BHH, EHHB, E1A2 E1A4, E1G7, E2G7, E5A4, N1A, N1C, N1E1, N1E7, N1R N1U, N1W7, N1W8, N1W9, N2E7, N2E8, N2E9, N2U, N3U N3V, N5A, N5C
					-	-	-	-	-	1	-----	-----	A1P, N1D, N1E1, N1E2
	L		16100-Z0L-801	CARBURETOR ASSY. (BB62G A) ...	-	-	-	1	-	-	-----	3172195	R1A, R3A, R3A1, STA1, S1A, S1A1, S3A
					-	-	-	-	-	1	-----	-----	S1E1, S2E, S2E1

NOTE A:PART NO. CHANGE D:NEWLY PROVIDED E:PART NO. DELETION K:REQUIRED NO. CORRECTION L:APPLICATION SERIAL NO. CORRECTION  
T:APPLICATION CORRECTION Z:REMARKS CHANGE

PARTS CATALOGUE NEWS

BOOKNo. : 13ZM00E6

Block No.	Ref. No.	Note	Part No.	Description	Reqd. QTY						Serial No.	Parts catalogue code	
					GCV 135	GCV 135E	GCV 160	GCV 160A	GCV 135A	GCV 160E			
		T	16100-ZMO-804	CARBURETOR ASSY. (BB62B E) ...	-	-	-	1	-	1	-----	-----	A1M, A3E9, A3W7, A3W8, NBL1, N1L, N3T8, N3T9, N3W8 N3W9
					-	-	-	1	-	-	3201358	-----	A1A, A1AS, A1C, A1E, A1E7, A1E8, A1W7, A2A, A2C A2E7, A2E8, A2E9, A2G7, A2R, A3E, BHH, EHHB, E1A2 E1A4, E1G7, E2G7, E5A4, N1A, N1C, N1E1, N1E7, N1R N1U, N1W7, N1W8, N1W9, N2E7, N2E8, N2E9, N2U, N3U N3V, N5A, N5C
		T	16100-ZOL-802	CARBURETOR ASSY. (BB62G B) ...	-	-	-	1	-	-	-----	-----	RTL1, STL1, S3H2
					-	-	-	1	-	-	3172196	-----	R1A, R3A, R3A1, STA1, S1A, S1A1, S3A
		A	16100-ZOL-811	CARBURETOR ASSY. (BB62H A) ...	-	-	-	1	-	-	2225728	3036309	A1AE, A1AF, A3A, N1AF, N5AF
		A	16100-ZOL-812	CARBURETOR ASSY. (BB62H B) ...	-	-	-	1	-	-	3036310	-----	A1AE, A1AF, A3A, N1AF, N5AF
E-22	2	T	16555-ZMO-000	ROD, GOVERNOR .....	-	-	1	-	-	1	-----	-----	A1A, A1C, A1E, A1E7, A1E8, A1G7, A1G9, A1J, A1P, A1U A1W2, A1W7, A2A, A2A9, A2C, A2E, A2E4, A2E7, A2E8 A2E9, A2G4, A2G7, A2G9, A2U, A3E, A3E7, A3E9, A3W7 A3W8, A4E, A7E1, N1, N1D, N1E1, N1E2, N1E7, N1J1 N1R, N1T8, N1T9, N1U, N1W, N1W1, N1W2, N1W7, N1W8 N1W9, N2, N2D, N2E, N2E1, N2E2, N2E3, N2E7, N2E8 N2E9, N2U, N3T8, N3T9, N3U, N3V, N3W8, N3W9, N7A1
		T	16555-ZOL-800	.....	-	-	-	1	-	1	-----	-----	A1A, A1AS, A1C, A1E, A1M, A2A, A2C, A3E, BHH, BHH1 EHHB, E1G7, E2G7, NBL1, N1U, N2U, N3U, N3V, N7S1 S1E1, S2E, S2E1
					-	-	-	1	-	-	-----	-----	A1E7, A1E8, A1W7, A2E7, A2E8, A2E9, A2G7, A7E1 N1E1, N1E7, N1R, N1W7, N1W8, N1W9, N2E7, N2E8, N2E9 N7A1
E-22-1	2	T	16555-ZMO-000	ROD, GOVERNOR .....	-	-	1	-	-	1	-----	-----	A2R
		D	16555-ZOL-800	.....	-	-	-	1	-	-	-----	-----	A2R, N1A, N1C, N1L, N5A, N5C
E-22-2	2	E	16555-ZMO-000	*PARTS NO. DELETION									
		T	16555-ZOL-800	ROD, GOVERNOR .....	-	-	-	1	-	-	-----	-----	A1AE, A1AF, A3A, E1A2, E1A4, E5A4, N1AF, N5AF, N5MF RTL1, R1A, R3A, R3A1, STA1, STL1, S1A, S1A1, S1M S3A2, S3H, S3H2
E-28	4		87101-ZMO-V50	EMBLEM (WOLF) .....	1	1	1	-	-	1	-----	-----	A1W2, A1W7, N1W1, N1W2, N1W8
					-	-	1	-	-	-	-----	2414990	N1W9
					-	-	-	1	-	-	-----	2324321	A1W7, N1W8

NOTE A:PART NO. CHANGE D:NEWLY PROVIDED E:PART NO.DELETION K:REQUIRED NO. CORRECTION L:APPLICATION SERIAL NO. CORRECTION  
T:APPLICATION CORRECTION Z:REMARKS CHANGE

PARTS CATALOGUE NEWS

BOOKNo. : 13ZM00E6

Block No.	Ref. No.	Note	Part No.	Description	Reqd. QTY						Serial No.	Parts catalogue code
					GCV 135	GCV 135E	GCV 160	GCV 160A	GCV 135A	GCV 160E		
		A	87101-ZMO-V51	.....	-	-	-	1	-	-	2324322 -----	A1W7, N1W8
	9	T	87528-ZOL-800	MARK, CHOKE INDICATION .....	-	1	-	1	-	1	-----	STA1, S1A, S1A1, S1E1, S2E, S2E1, S3H2
		T	87528-ZOL-V20	.....	-	-	-	1	-	-	-----	RTL1, R1A, R3A, R3A1, STL1, S3A
	14	T	87594-VG3-010	MARK, OIL CAUTION .....	-	-	-	1	-	-	-----	NBL1, RTL1, R3A1, STA1, STL1

NOTE A:PART NO. CHANGE D:NEWLY PROVIDED E:PART NO. DELETION K:REQUIRED NO. CORRECTION L:APPLICATION SERIAL NO. CORRECTION  
T:APPLICATION CORRECTION Z:REMARKS CHANGE



# PARTS CATALOGUE NEWS

Honda Motor Co., Ltd. Service Division

Printed in Japan

CODE NO.	BOOKLET TYPE	13ZM00E6
	MICRO-FICHE	13ZM00EF/FF
PARTS CATALOGUE TITLE	GCV135 GCV135E GCV160 GCV160A GCV135A GCV160E	
NEWS NO.	023	

## GCV160A-BHH1,N5MF AND S1M TYPES sales parts information

NOTE: This Parts Catalogue News explains only the parts of the different model that are produced to conform to addition of the GCV160A-BHH1,N5MF and S1M types.

As for the parts not listed on this Parts Catalogue News, use the parts of the GCV160A-BHH,N5AF and S3H types.

**•Models, parts catalogue codes and applicable serial numbers**

Model	Type		Parts catalogue type	Applicable engine serial No.	Applicable carburetor identification No.
GCV160A	BHH	Base model	BHH	GJAEA-1000001~	BB62B D
	BHH1	Additional model	BHH1		BB62W A
	N5AF	Base model	N5AF		BB62B D
	N5MF	Additional model	N5MF		BB65A A
	S3H	Base model	S3H		BB62S A
	S1M	Additional model	S1M		BB65E A

NOTE A:PART NO.CHANGE D:NEWLY PROVIDED E:PART NO.DELETION K:REQUIRED NO. CORRECTION L:APPLICATION SERIAL NO. CORRECTION  
T:APPLICATION CORRECTION Z:REMARKS CHANGE

•Features of each type		Base type	Additional type	Base type	Additional type	Base type	Additional type
Model		GCV160A					
Specifications		BHH	BHH1	N5AF	N5MF	S3H	S1M
Crankshaft	20Øx133.8mm	●	●				
	22.2Øx100.4mm			●	●		
	22.2Øx117.4mm						
	22.2Øx135.7mm						●
	25Øx117.4mm						
	25Øx135.7mm					●	
Recoil starter				●	●		
Recoil starter (Long rope)		●	●			●	●
Flywheel brake						●	●

NOTE A:PART NO. CHANGE D:NEWLY PROVIDED E:PART NO. DELETION K:REQUIRED NO. CORRECTION L:APPLICATION SERIAL NO. CORRECTION  
T:APPLICATION CORRECTION Z:REMARKS CHANGE

PARTS CATALOGUE NEWS

BOOKNo. : 13ZM00E6

Block No.	Ref. No.	Part No.	Description	Reqd. QTY						Base Part No.	Parts catalogue code
				GCV 135	GCV 135E	GCV 160	GCV 160A	GCV 135A	GCV 160E		
E-6	3	15625-Z2L-801	PACKING, OIL FILLER CAP .....	-	-	-	1	-	-	15625-ZE1-003	N5MF
	7	15650-Z0L-000	GAUGE ASSY., OIL LEVEL .....	-	-	-	1	-	-	15650-ZM0-003	N5MF
E-7	1	13310-ZM0-000	CRANKSHAFT COMP. ....	-	-	-	1	-	-		S1M
	3		CRANKSHAFT COMP. ....	-	-	-	0	-	-	13310-ZM0-610	S1M
E-8	1	13101-Z2A-000	PISTON .....	-	-	-	1	-	-	13101-ZL8-000	BHH1, N5MF
	3	13200-Z0J-000	ROD ASSY., CONNECTING .....	-	-	-	1	-	-	13200-ZL8-000	
	6	13010-Z0L-003	RING SET, PISTON (RIKEN) .....	-	-	-	1	-	-	13010-ZL8-003	BHH1, N5MF
		13010-Z0L-004	RING SET, PISTON (TEIKOKU) ...	-	-	-	1	-	-	13010-ZL8-024	BHH1, N5MF
E-10	10	14771-Z0J-000	RETAINER, VALVE SPRING .....	-	-	-	2	-	-	14771-ZE1-000	BHH1, N5MF
E-11	1	28400-Z0L-V20ZB	STARTER ASSY., RECOIL (LONG ROPE) *R280*. .... POWER RED	-	-	-	1	-	-	28400-ZM0-633ZA	BHH1
	9	28462-Z0L-V20	ROPE, RECOIL STARTER (BLACK) (LONG TYPE)	-	-	-	1	-	-	28462-ZL8-631	BHH1

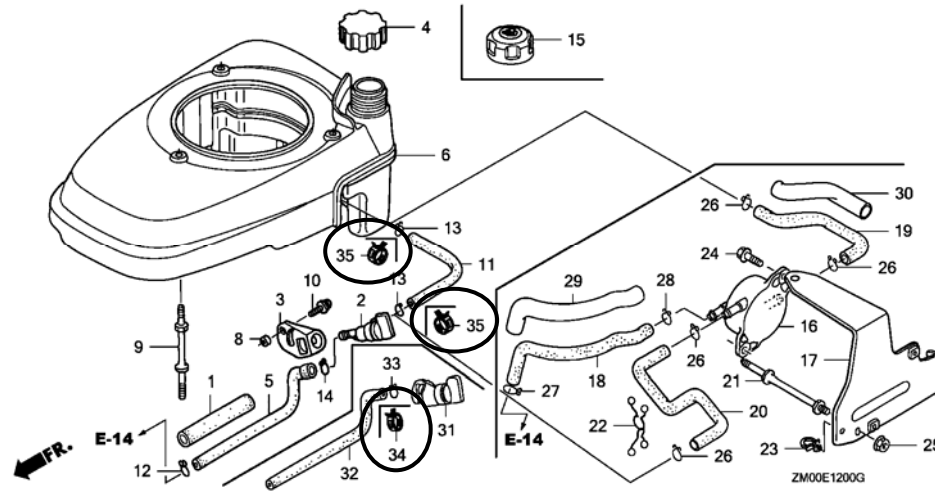
NOTE A:PART NO. CHANGE D:NEWLY PROVIDED E:PART NO.DELETION K:REQUIRED NO. CORRECTION L:APPLICATION SERIAL NO. CORRECTION  
T:APPLICATION CORRECTION Z:REMARKS CHANGE

PARTS CATALOGUE NEWS

BOOKNo. : 13ZM00E6

Block No.	Ref. No.	Part No.	Description	Reqd. QTY						Base Part No.	Parts catalogue code
				GCV 135	GCV 135E	GCV 160	GCV 160A	GCV 135A	GCV 160E		

E-12 FAN COVER



E-12	6		COVER COMP., FAN *NH1*..... BLACK	-	-	-	0	-	-	19610-ZOL-000ZA	S1M
			*T93*..... HUSQVARNA GRAY	-	-	-	0	-	-	19610-ZOL-000ZF	BHH1
		19610-ZOL-000ZD	*R280*..... POWER RED	-	-	-	1	-	-	19610-ZOL-000ZC	BHH1
	11	91425-ZOL-801	TUBE, FUEL, 5.3X150 (FKM) .....	-	-	-	1	-	-	95001-55150-40	
	12		CLIP, TUBE (B8) .....	-	-	-	0	-	-	95002-02080	
	13		CLIP, TUBE (B10) .....	-	-	-	0	-	-	95002-02100	
	32	17702-ZOL-801	TUBE, FUEL (FKM) .....	-	-	-	1	-	-	17702-ZMO-800	
	33		CLIP, TUBE (B8) .....	-	-	-	0	-	-	95002-02080	
	34	95002-40800-08	CLAMP, TUBE (D8) .....	-	-	-	2	-	-		
	35	95002-41000-08	CLAMP, TUBE (D10) .....	-	-	-	2	-	-		
E-14	7	16100-ZOL-003	CARBURETOR ASSY. (BB62W A) ...	-	-	-	1	-	-	16100-ZMO-803	BHH1

NOTE A:PART NO. CHANGE D:NEWLY PROVIDED E:PART NO.DELETION K:REQUIRED NO. CORRECTION L:APPLICATION SERIAL NO. CORRECTION  
T:APPLICATION CORRECTION Z:REMARKS CHANGE

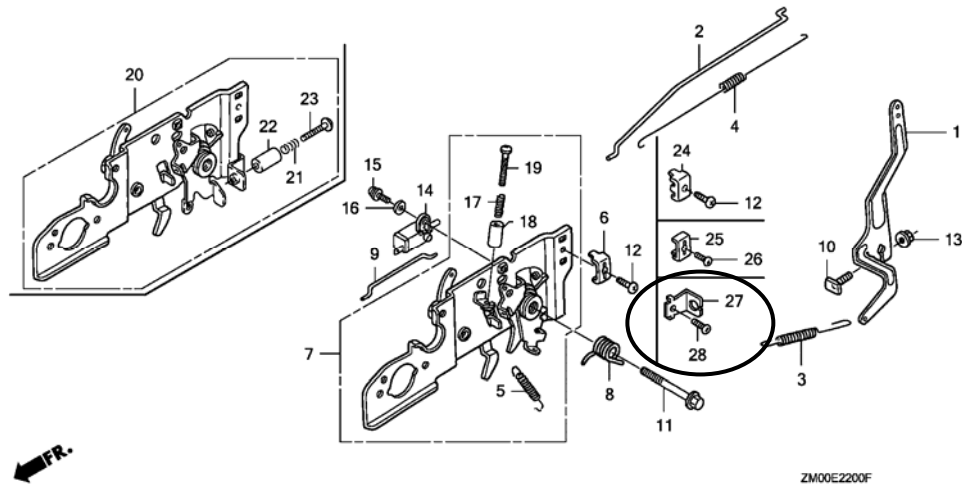


PARTS CATALOGUE NEWS

BOOKNo. : 13ZM00E6

Block No.	Ref. No.	Part No.	Description	Reqd. QTY						Base Part No.	Parts catalogue code
				GCV 135	GCV 135E	GCV 160	GCV 160A	GCV 135A	GCV 160E		
		16100-ZOL-861	CARBURETOR ASSY. (BB65A A) ...	-	-	-	1	-	-	16100-ZMO-803	N5MF
		16100-ZOL-871	CARBURETOR ASSY. (BB65E A) ...	-	-	-	1	-	-	16100-ZOL-841	S1M
E-16	2	18321-ZOL-J00	PROTECTOR, MUFFLER .....	-	-	-	1	-	-	18321-ZL8-A00	BHH1
	9		ARRESTER COMP., SPARK .....	-	-	-	(0)	-	-	18350-ZL8-000	BHH1
	10		PLATE, ARRESTER NUMBER .....	-	-	-	(0)	-	-	18356-ZL8-000	BHH1
	11		SCREW, TAPPING, 4X6 .....	-	-	-	(0)	-	-	90055-ZE1-000	BHH1
	12		ARRESTER KIT, SPARK .....	-	-	-	(0)	-	-	06180-Z0J-000	BHH1
E-19	2	19612-ZOL-000	PLATE, SIDE .....	-	-	-	1	-	-	19612-ZMO-J20	N5MF

E-22 CONTROL (1)



E-22	2	16555-ZOL-800	ROD, GOVERNOR .....	-	-	-	1	-	-	16555-ZMO-000	BHH1
	6		HOLDER, CABLE .....	-	-	-	0	-	-	16576-891-000	BHH1
	7	16580-ZMO-J61	BASE COMP., CONTROL .....	-	-	-	1	-	-	16580-ZMO-J22	BHH1
	12		SCREW, PAN, 5X16 .....	-	-	-	0	-	-	93500-05016-0A	BHH1

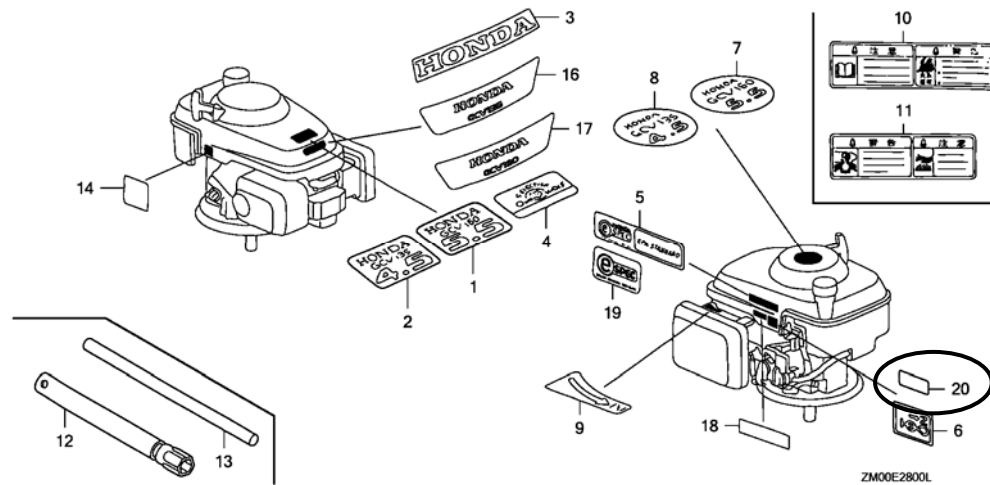
NOTE A:PART NO. CHANGE D:NEWLY PROVIDED E:PART NO.DELETION K:REQUIRED NO. CORRECTION L:APPLICATION SERIAL NO. CORRECTION  
T:APPLICATION CORRECTION Z:REMARKS CHANGE

PARTS CATALOGUE NEWS

BOOKNo. : 13ZM00E6

Block No.	Ref. No.	Part No.	Description	Reqd. QTY						Base Part No.	Parts catalogue code
				GCV 135	GCV 135E	GCV 160	GCV 160A	GCV 135A	GCV 160E		
	17	16584-883-300	SPRING, CONTROL ADJUSTING ....	-	-	-	1	-	-	BHH1	
	18	16599-ZG1-M10	COLLAR, STOPPER .....	-	-	-	1	-	-	BHH1	
	19	90016-ZE7-W00	SCREW, RECESSED, 5X28 .....	-	-	-	1	-	-	BHH1	
	27	16617-Z0L-800	HOLDER, CABLE .....	-	-	-	1	-	-	BHH1	
	28	93500-05008-0A	SCREW, PAN, 5X8 .....	-	-	-	1	-	-	BHH1	
E-22-2	2	16555-Z0L-800	ROD, GOVERNOR .....	-	-	-	1	-	-	16555-ZM0-000	N5MF, S1M
	3	16561-ZM0-V30	SPRING, GOVERNOR .....	-	-	-	1	-	-	16561-ZM0-000	N5MF

E-28 LABEL



E-28	1	87101-ZM0-010	MARK, EMBLEM (GCV160 5.5) ....	-	-	-	1	-	-	87101-ZM0-000	N5MF
	20	87114-ZH7-821	LABEL, WARNING (NOT CERTIFIED FOR SALE)	-	-	-	1	-	-		N5MF, S1M
		87114-ZH7-840	.....	-	-	-	1	-	-		BHH1
E-40	12		BEARING, RADIAL BALL, 6006 (SST)	-	-	-	0	-	-	91051-VE1-G00	BHH1

NOTE A:PART NO. CHANGE D:NEWLY PROVIDED E:PART NO.DELETION K:REQUIRED NO. CORRECTION L:APPLICATION SERIAL NO. CORRECTION  
T:APPLICATION CORRECTION Z:REMARKS CHANGE

PARTS CATALOGUE NEWS

BOOKNo. : 13ZM00E6

Block No.	Ref. No.	Part No.	Description	Reqd. QTY						Base Part No.	Parts catalogue code
				GCV 135	GCV 135E	GCV 160	GCV 160A	GCV 135A	GCV 160E		
	15	75110-Z0L-000	PLATE ASSY., BALL CONTROL ....	-	-	-	1	-	-	BHH1	
E-40-1	1	18348-Z0L-000	CAP, MUFFLER .....	-	-	-	1	-	-	N5MF	
	3	90055-ZE1-000	SCREW, TAPPING, 4X6 .....	-	-	-	2	-	-	N5MF	

NOTE A:PART NO. CHANGE D:NEWLY PROVIDED E:PART NO.DELETION K:REQUIRED NO. CORRECTION L:APPLICATION SERIAL NO. CORRECTION  
T:APPLICATION CORRECTION Z:REMARKS CHANGE



# PARTS CATALOGUE NEWS

Honda Motor Co., Ltd. Service Division

## PARTS CATALOGUE - CORRECTED

Printed in Japan

CODE NO.	BOOKLET TYPE	13ZM00E6
	MICRO- FICHE	13ZM00EF/FF
PARTS CATALOGUE TITLE	GCV135 GCV135E GCV160 GCV160A GCV135A GCV160E	
NEWS NO.	024	

Block No.	Ref. No.	Note	Part No.	Description	Reqd. QTY						Serial No.	Parts catalogue code		
					GCV 135	GCV 135E	GCV 160	GCV 160A	GCV 135A	GCV 160E				
E-8	1	T	13101-ZL8-000	PISTON .....	1	1	1	-	1	-	-----	A1E7, A1E8, A1G7, A1G9, A1P, A1W7, A2A9 A2E7, A2E8, A2E9, A2G4, A2G7, A2G9, A2R A3E7, A3W7, A3W8, A7E1, N1D, N1E1, N1E2 N1E7, N1J1, N1R, N1T8, N1T9, N1W7, N1W8 N1W9, N2E7, N2E8, N2E9, N3T8, N3T9, N3W8 N3W9, N7A1, S1E1, S2E, S2E1		
					-	-	-	-	-	1			-----	A1A, A1AE, A1AF, A1AS, A1C, A1E, A1M, A2A A2C, A3A, A3E, A3E9, BHH, BHH1, EHHB, E1A2 E1A4, E1G7, E2G7, E5A4, NBL1, N1A, N1AF N1C, N1L, N1U, N2U, N3U, N3V, N5A, N5AF N5C, N5MF, N7S1, RTL1, R1A, R3A, R3A1 STA1, STL1, S1A, S1A1, S1M, S3A, S3A2, S3H S3H2
					-	-	-	1	-	-				
6	T	13010-ZL8-003	RING SET, PISTON (RIKEN) .....	1	1	1	-	1	-					

NOTE A:PART NO. CHANGE D:NEWLY PROVIDED E:PART NO. DELETION K:REQUIRED NO. CORRECTION L:APPLICATION SERIAL NO. CORRECTION  
T:APPLICATION CORRECTION Z:REMARKS CHANGE

PARTS CATALOGUE NEWS

BOOKNo. : 13ZM00E6

Block No.	Ref. No.	Note	Part No.	Description	Reqd. QTY						Serial No.	Parts catalogue code	
					GCV 135	GCV 135E	GCV 160	GCV 160A	GCV 135A	GCV 160E			
					-	-	-	-	-	1	-----	-----	A1E7, A1E8, A1G7, A1G9, A1P, A1W7, A2A9 A2E7, A2E8, A2E9, A2G4, A2G7, A2G9, A2R A3E7, A3W7, A3W8, A7E1, N1D, N1E1, N1E2 N1E7, N1J1, N1R, N1T8, N1T9, N1W7, N1W8 N1W9, N2E7, N2E8, N2E9, N3T8, N3T9, N3W8 N3W9, N7A1, S1E1, S2E, S2E1
		T	13010-ZOL-003	.....	-	-	-	1	-	1	-----	-----	A1A, A1AE, A1AF, A1AS, A1C, A1E, A1M, A2A A2C, A3A, A3E, A3E9, BHH, BHH1, EHHB, E1A2 E1A4, E1G7, E2G7, E5A4, NBL1, N1A, N1AF N1C, N1L, N1U, N2U, N3U, N3V, N5A, N5AF N5C, N5MF, N7S1, RTL1, R1A, R3A, R3A1 STA1, STL1, S1A, S1A1, S1M, S3A, S3A2, S3H S3H2
					-	-	-	1	-	-	-----	-----	A1E7, A1E8, A1W7, A2E7, A2E8, A2E9, A2G7 A2R, A7E1, N1E1, N1E7, N1R, N1W7, N1W8 N1W9, N2E7, N2E8, N2E9, N7A1
E-22	12	T	93500-05016-0A	SCREW, PAN, 5X16 .....	1	1	1	1	-	1	-----	-----	A1A, A1C, A1D, A1E, A1E1, A1E7, A1E8, A1G7, A1G9 A1J, A1M, A1P, A1U, A1W2, A1W7, A2A, A2A9, A2C, A2D A2E, A2E1, A2E4, A2E7, A2E8, A2E9, A2G, A2G4, A2G7 A2G9, A2U, A3E, A3E7, A3E9, A3W7, A3W8, A4E, A7E1 E1G7, E2G7, NBL1, N1, N1D, N1E, N1E1, N1E2, N1E7 N1G, N1J1, N1R, N1S, N1S7, N1T8, N1T9, N1U, N1W N1W1, N1W2, N1W7, N1W8, N1W9, N2, N2D, N2E, N2E1 N2E2, N2E3, N2E7, N2E8, N2E9, N2KA, N2U, N3T8, N3T9 N3U, N3V, N3W8, N3W9, N7A1, N7E1, N7E2, N7S1
	24	T	16617-VG3-000	HOLDER, CABLE .....	1	-	-	-	-	-	1623932	-----	A1A, A1C, A1E, A1E7, A1E8, A2A, A2C, A2E, A2E4, A2E7 A2E8, A2E9, A2G, A2G7, A7E1, N1D, N1G, N1S, N1S7 N1U, N1W, N1W1, N1W7, N1W8, N2E, N2E1, N2E7, N2E8 N2E9, N2U, N7E1, N7E2
					-	1	-	1	-	1	-----	-----	A2G4, N1E1, N1R, N2KA
					-	1	-	-	-	-	-----	-----	N1U
					-	-	1	-	-	-	2439634	-----	A1A, A1C, A1E, A1E7, A1E8, A1G7, A1P, A1W2, A1W7 A2A, A2C, A2E, A2E4, A2E7, A2E8, A2E9, A2G7, A3E A7E1, N1, N1D, N1E1, N1E2, N1E7, N1J1, N1R, N1U, N1W N1W1, N1W2, N1W7, N1W8, N1W9, N2, N2E, N2E1, N2E3 N2E7, N2E8, N2E9, N2U, N3U, N3V, N7A1
					-	-	-	1	-	1	-----	-----	A1E, A1G9, A1M, A1P, A2A9, A3E, A3E9, A3W7, A3W8 E1G7, E2G7, NBL1, N1D, N1E2, N1J1, N1T8, N1T9, N3T8 N3T9, N3U, N3W8, N3W9, N7S1

NOTE A:PART NO. CHANGE D:NEWLY PROVIDED E:PART NO. DELETION K:REQUIRED NO. CORRECTION L:APPLICATION SERIAL NO. CORRECTION  
T:APPLICATION CORRECTION Z:REMARKS CHANGE

PARTS CATALOGUE NEWS

BOOKNo. : 13ZM00E6

Block No.	Ref. No.	Note	Part No.	Description	Reqd. QTY						Serial No.	Parts catalogue code
					GCV 135	GCV 135E	GCV 160	GCV 160A	GCV 135A	GCV 160E		
	27	T	16617-ZOL-800	HOLDER, CABLE .....	-	-	-	1	-	-	-----	BHH, BHH1, EHHB
	28	T	93500-05008-0A	SCREW, PAN, 5X8 .....	-	-	-	1	-	-	-----	BHH, BHH1, EHHB

NOTE A:PART NO. CHANGE D:NEWLY PROVIDED E:PART NO.DELETION K:REQUIRED NO. CORRECTION L:APPLICATION SERIAL NO. CORRECTION  
 T:APPLICATION CORRECTION Z:REMARKS CHANGE



# PARTS CATALOGUE NEWS

Honda Motor Co., Ltd. Service Division

## PARTS CATALOGUE - CORRECTED

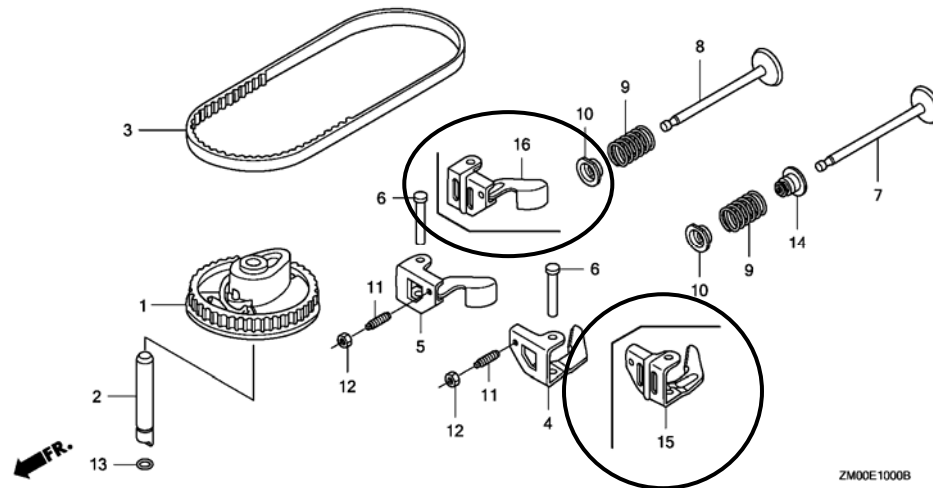
Printed in Japan

CODE NO.	BOOKLET TYPE	13ZM00E6
	MICRO-FICHE	13ZM00EF/FF
PARTS CATALOGUE TITLE	GCV135 GCV135E GCV160 GCV160A GCV135A GCV160E	
NEWS NO.	025	

Block No.	Ref. No.	Note	Part No.	Description	Reqd. QTY	Serial No.	Parts catalogue code
					GCV 135 GCV 135E GCV 160 GCV 160A GCV 135A GCV 160E		

### E-10 CAMSHAFT PULLEY

Ref. No.	LON	(Relative ref. Number) Service item	F. R. T.
4		(15)	
1111A2		ARM, ROCKER :INTAKE ..... . INCLUDES: Valve clearance adjustment	0.3
1111A2A		. Replace exhaust rocker arm add .....	0.1
5		(16)	
1111A1		ARM, ROCKER :EXHAUST ..... . INCLUDES: Valve clearance adjustment	0.3
1111A1A		. Replace intake rocker arm add .....	0.1



E-10 4 E 14431-Z0J-000 \*PARTS NO. DELETION

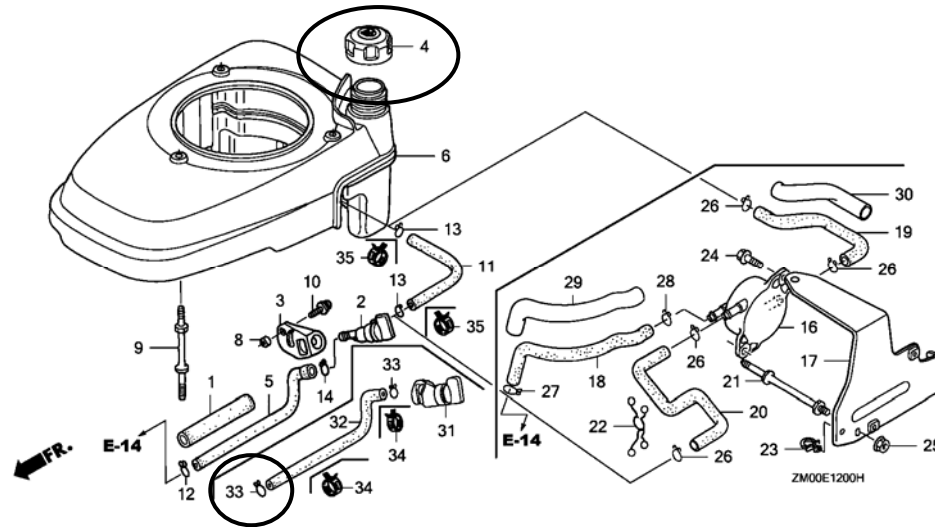
NOTE A:PART NO. CHANGE D:NEWLY PROVIDED E:PART NO.DELETION K:REQUIRED NO. CORRECTION L:APPLICATION SERIAL NO. CORRECTION  
T:APPLICATION CORRECTION Z:REMARKS CHANGE

PARTS CATALOGUE NEWS

BOOKNo. : 13ZM00E6

Block No.	Ref. No.	Note	Part No.	Description	Reqd. QTY						Serial No.	Parts catalogue code
					GCV 135	GCV 135E	GCV 160	GCV 160A	GCV 135A	GCV 160E		
	5	E	14441-Z0J-000	*PARTS NO. DELETION								
	15	D	14431-Z0J-000	ARM, IN. VALVE ROCKER .....	-	1	-	-	-	-	-----	A1E, A1E7, A1E8, A1G9, A2E, A2E7, A2E8, A2E9, A2G4 A2G7, A2G9, A2R, A7E1, N1E, N1S, N1S7, N1U, N1W N1W7, N1W8, N2E, N2E1, N2E3, N2E7, N2E8, N2E9, N2KA N7E1, N7E2, S2E, S2E1
					-	-	-	1	1	1		
	16	D	14441-Z0J-000	ARM, EX. VALVE ROCKER .....	-	1	-	-	-	-	-----	A1E, A1E7, A1E8, A1G9, A2E, A2E7, A2E8, A2E9, A2G4 A2G7, A2G9, A2R, A7E1, N1E, N1S, N1S7, N1U, N1W N1W7, N1W8, N2E, N2E1, N2E3, N2E7, N2E8, N2E9, N2KA N7E1, N7E2, S2E, S2E1
					-	-	-	1	1	1		

E-12 FAN COVER



E-12	4	D	17620-Z0M-000	CAP ASSY., FUEL TANK .....	-	1	-	-	-	1		
	12	T	95002-02080	CLIP, TUBE (B8) .....	1	1	1	-	-	-	-----	A1G9, A1J, A1U, A2U, A4E, N2D, N2E2
					1	1	-	-	-	1	-----	A1D, A1E1, A1G7, A1W7, A2D, A2E1, A2G9, A3E, N1E N1E7, N1W9, N2E3, N7A1, S2E, S2E1

NOTE A:PART NO. CHANGE D:NEWLY PROVIDED E:PART NO.DELETION K:REQUIRED NO. CORRECTION L:APPLICATION SERIAL NO. CORRECTION  
T:APPLICATION CORRECTION Z:REMARKS CHANGE



PARTS CATALOGUE NEWS

BOOKNo. : 13ZM00E6

Block No.	Ref. No.	Note	Part No.	Description	Reqd. QTY						Serial No.	Parts catalogue code
					GCV 135	GCV 135E	GCV 160	GCV 160A	GCV 135A	GCV 160E		
					1	-	-	-	-	-	-	N1E1
					1	-	-	-	-	-	1623712	A1A, A1C, A1E, A1E7, A1E8, A2A, A2C, A2E, A2E4, A2E7 A2E8, A2E9, A2G, A2G7, A2R, A7E1, N1D, N1G, N1S N1S7, N1U, N1W, N1W1, N1W7, N1W8, N2E, N2E1, N2E7 N2E8, N2E9, N2U, N7E1, N7E2
					-	1	-	-	-	1		A1E, A1E7, A1E8, A2E, A2E7, A2E8, A2E9, A2G, A2G7 A7E1, N1G, N1S, N1S7, N1W, N1W7, N1W8, N2E, N2E1 N2E7, N2E8, N2E9, N7E1, N7E2
					-	-	1	-	-	-	2439088	A1A, A1C, A1E, A1E7, A1E8, A1G7, A1P, A1W2, A1W7 A2A, A2C, A2E, A2E4, A2E7, A2E8, A2E9, A2G7, A2R A3E, A7E1, N1, N1D, N1E1, N1E2, N1E7, N1R, N1U, N1W N1W1, N1W2, N1W7, N1W8, N1W9, N2, N2E, N2E1, N2E3 N2E7, N2E8, N2E9, N2U, N3U, N3V, N7A1
					-	-	-	1	-	-	2510374	A1A, A1AE, A1AF, A1AS, A1C, A1E7, A1E8, A1W7, A2A A2C, A2E7, A2E8, A2E9, A2G7, A2R, A3A, A7E1, BHH N1A, N1AF, N1C, N1E7, N1U, N1W7, N1W8, N1W9, N2E7 N2E8, N2E9, N2U, N3V, N5A, N5AF, N5C, N7A1, STA1 S1A, S1A1, S3A
					-	-	-	-	1	-		
	15	E	17620-Z0M-000	*PARTS NO. DELETION								
	33	K	95002-02080	CLIP, TUBE (B8) .....	2	-	-	-	-	-	1623713	A1A, A1C, A1E, A1E7, A1E8, A2A, A2C, A2E, A2E4, A2E7 A2E8, A2E9, A2G, A2G7, A2R, A7E1, N1D, N1G, N1S N1S7, N1U, N1W, N1W1, N1W7, N1W8, N2E, N2E1, N2E7 N2E8, N2E9, N2U, N7E1, N7E2
					-	2	-	2	-	2		A2G4, N1E1, N1R, N2KA
					-	2	-	-	-	2		A2R, N1U
					-	-	2	-	-	2		N1J1
					-	-	2	-	-	-	2439089	A1A, A1C, A1E, A1E7, A1E8, A1G7, A1P, A1W2, A1W7 A2A, A2C, A2E, A2E4, A2E7, A2E8, A2E9, A2G7, A2R A3E, A7E1, N1, N1D, N1E1, N1E2, N1E7, N1R, N1U, N1W N1W1, N1W2, N1W7, N1W8, N1W9, N2, N2E, N2E1, N2E3 N2E7, N2E8, N2E9, N2U, N3U, N3V, N7A1

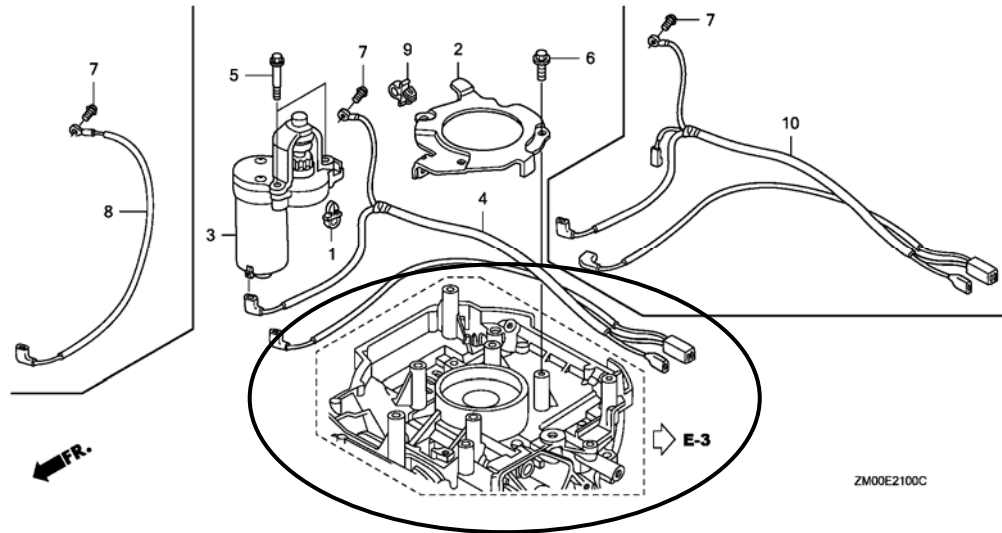
NOTE A:PART NO. CHANGE D:NEWLY PROVIDED E:PART NO. DELETION K:REQUIRED NO. CORRECTION L:APPLICATION SERIAL NO. CORRECTION  
T:APPLICATION CORRECTION Z:REMARKS CHANGE

PARTS CATALOGUE NEWS

BOOKNo. : 13ZM00E6

Block No.	Ref. No.	Note	Part No.	Description	Reqd. QTY						Serial No.	Parts catalogue code
					GCV 135	GCV 135E	GCV 160	GCV 160A	GCV 135A	GCV 160E		
					-	-	-	2	-	2		A1E, A1G9, A1M, A1P, A2A9, A3E, A3E7, A3E9, A3W7 A3W8, EHHB, E1A2, E1A4, E1G7, E2G7, E5A4, NBL1, N1D N1E2, N1L, N1T8, N1T9, N3T8, N3T9, N3U, N3W8, N3W9 N7S1, RTL1, R1A, R3A, R3A1, STL1, S1E1, S3A2, S3H S3H2
					-	-	-	2	-	-	2510375	A1A, A1AE, A1AF, A1AS, A1C, A1E7, A1E8, A1W7, A2A A2C, A2E7, A2E8, A2E9, A2G7, A2R, A3A, A7E1, BHH N1A, N1AF, N1C, N1E7, N1U, N1W7, N1W8, N1W9, N2E7 N2E8, N2E9, N2U, N3V, N5A, N5AF, N5C, N7A1, STA1 S1A, S1A1, S3A

E-21 STARTER MOTOR



E-21	6	K	90013-883-000	BOLT, FLANGE, 6X12(CT200) . . . .	-	-	-	3	-	-		EHHB, E1A2, E1A4, E1G7, E2G7, E5A4, RTL1, R1A, R3A R3A1
------	---	---	---------------	-----------------------------------	---	---	---	---	---	---	--	--

NOTE A:PART NO. CHANGE D:NEWLY PROVIDED E:PART NO.DELETION K:REQUIRED NO. CORRECTION L:APPLICATION SERIAL NO. CORRECTION  
T:APPLICATION CORRECTION Z:REMARKS CHANGE



# PARTS CATALOGUE NEWS

Honda Motor Co., Ltd. Service Division

February 04, 2006

CODE NO.	BOOKLET TYPE	13ZM00E6
	MICRO-FICHE	13ZM00EF/FF
PARTS CATALOGUE TITLE	GCV135 GCV135E GCV160 GCV160A GCV135A GCV160E	
NEWS NO.	026	

Printed in Japan

## GCV160A-S2G7 TYPE sales parts information

NOTE: This Parts Catalogue News explains only the parts of the different model that are produced to conform to addition of the GCV160A-S2G7 type.

As for the parts not listed on this Parts Catalogue News, use the parts of the GCV160A-A2G7 type.

### •Models, parts catalogue codes and applicable serial numbers

Model	Type		Parts catalogue type	Applicable engine serial No.	Applicable carburetor identification No.
GCV160A	A2G7	Base model	A2G7	GJAEA-1000001~	BB62B D / E
	S2G7	Additional model	S2G7		BB65E A

•Features of each type		Base type	Additional type
<b>Specifications</b>		<b>Model</b>	<b>GCV160A</b>
		<b>Type</b>	<b>A2G7</b> <b>S2G7</b>
Crankshaft	20 Ø X 133.8mm		
	22.2 Ø X 100.4mm		
	22.2 Ø X 117.4mm	●	●
	22.2 Ø X 135.7mm		
	25 Ø X 117.4mm		
	25 Ø X 135.7mm		
Recoil starter			
Recoil starter (Long rope)		●	●
Flywheel brake		●	●

NOTE A:PART NO. CHANGE D:NEWLY PROVIDED E:PART NO. DELETION K:REQUIRED NO. CORRECTION L:APPLICATION SERIAL NO. CORRECTION  
T:APPLICATION CORRECTION Z:REMARKS CHANGE

## PARTS CATALOGUE NEWS

BOOKNo. : 13ZM00E6

Block No.	Ref. No.	Part No.	Description	Reqd. QTY						Base Part No.	Parts catalogue code
				GCV 135	GCV 135 E	GCV 160	GCV 160 A	GCV 135 A	GCV 160 E		
E-3	1	12000-ZOL-406	BARREL ASSY., CYLINDER .....	-	-	-	1	-	-	12000-ZL8-415	
E-8	3	13200-Z0J-000	ROD ASSY., CONNECTING .....	-	-	-	1	-	-	13200-ZL8-000	
	6	13010-ZOL-004	RING SET, PISTON (TEIKOKU) ...	-	-	-	1	-	-	13010-ZL8-024	
E-10	1	14320-ZL8-010	PULLEY COMP., CAMSHAFT .....	-	-	-	1	-	-	14320-ZL8-000	
	3	14400-Z0J-014	BELT, TIMING (84HU7 G-200) ...	-	-	-	1	-	-	14400-Z0J-004	
	10	14771-Z0J-000	RETAINER, VALVE SPRING .....	-	-	-	2	-	-	14771-ZE1-000	
E-11	1	STARTER ASSY., RECOIL (LONG ROPE)								28400-ZM0-633ZD	
		*R280*..... POWER RED	-	-	-	0	-	-			
E-12	6	COVER COMP., FAN								19610-ZOL-000ZB	
		*R8*..... BRIGHT RED	-	-	-	0	-	-			
E-14	4		SCREW SET .....	-	-	-	0	-	-	16016-ZG0-W00	
	6		SCREW SET (THROTTLE STOP) ....	-	-	-	0	-	-	16029-ZG0-901	
	7		CARBURETOR ASSY. (BB62B E) ...	-	-	-	0	-	-	16100-ZM0-804	
		16100-ZOL-871	CARBURETOR ASSY. (BB65E A) ...	-	-	-	1	-	-		
	9		NOZZLE, MAIN .....	-	-	-	0	-	-	16166-ZM0-003	
		16166-ZOL-841	.....	-	-	-	1	-	-		
	10		INSULATOR, CARBURETOR .....	-	-	-	0	-	-	16211-ZL8-000	
	13		PACKING, CARBURETOR .....	-	-	-	0	-	-	16228-ZL8-000	
		16228-ZOL-840	PACKING, CARBURETOR (CHOKE SIDE)	-	-	-	1	-	-		
	16	99101-124-0650	JET, MAIN, #65 .....	-	-	-	(1)	-	-	99101-124-0600	
		99101-124-0680	JET, MAIN, #68 .....	-	-	-	(1)	-	-	99101-124-0620	
		99101-124-0700	JET, MAIN, #70 .....	-	-	-	1	-	-	99101-124-0650	
19	16210-ZOL-840	INSULATOR COMP. ....	-	-	-	1	-	-			
20	16268-ZOL-840	SPRING, CHOKE LEVER RETURN ...	-	-	-	1	-	-			

NOTE A:PART NO. CHANGE D:NEWLY PROVIDED E:PART NO.DELETION K:REQUIRED NO. CORRECTION L:APPLICATION SERIAL NO. CORRECTION  
T:APPLICATION CORRECTION Z:REMARKS CHANGE

## PARTS CATALOGUE NEWS

BOOKNo. : 13ZMO0E6

Block No.	Ref. No.	Part No.	Description	Reqd. QTY						Base Part No.	Parts catalogue code
				GCV 135	GCV 135 E	GCV 160	GCV 160 A	GCV 135 A	GCV 160 E		
	21	16600-ZOL-840	CONTROL ASSY., CHOKE .....	-	-	-	1	-	-		
	22	93891-04035-00	SCREW-WASHER, 4X35 .....	-	-	-	1	-	-		
E-19	14	51125-ZOL-003	HOLDER, WIRE (FASTEX) .....	-	-	-	1	-	-		
E-22	5		SPRING, LEVER .....	-	-	-	0	-	-	16576-ZE7-300	
	6		HOLDER, CABLE .....	-	-	-	0	-	-	16576-891-000	
	7		BASE COMP., CONTROL .....	-	-	-	0	-	-	16580-ZM0-871	
	9		ROD, CHOKE .....	-	-	-	0	-	-	16674-ZM0-000	
	12		SCREW, PAN, 5X16 .....	-	-	-	0	-	-	93500-05016-0A	
	20	16580-ZOM-810	BASE COMP., CONTROL .....	-	-	-	1	-	-		
	21	16584-883-300	SPRING, CONTROL ADJUSTING ....	-	-	-	1	-	-		
	22	16599-ZG1-M10	COLLAR, STOPPER .....	-	-	-	1	-	-		
	23	90016-ZE7-W00	SCREW, RECESSED, 5X28 .....	-	-	-	1	-	-		
E-28	1	87101-ZM0-010	MARK, EMBLEM (GCV160 5.5) ....	-	-	-	1	-	-	87101-ZM0-000	
	19		LABEL, E-SPEC (15.5X27.5) ....	-	-	-	0	-	-	87135-ZE2-020	
	20	87114-ZH7-840	LABEL, WARNING (NOT CERTIFIED FOR SALE)	-	-	-	1	-	-		

NOTE A:PART NO. CHANGE D:NEWLY PROVIDED E:PART NO.DELETION K:REQUIRED NO. CORRECTION L:APPLICATION SERIAL NO. CORRECTION  
T:APPLICATION CORRECTION Z:REMARKS CHANGE



# PARTS CATALOGUE NEWS

Honda Motor Co., Ltd. Service Division

## PARTS CATALOGUE - CORRECTED

Printed in Japan

CODE NO.	BOOKLET TYPE	13ZM00E6
	MICRO-FICHE	13ZM00EF/FF
PARTS CATALOGUE TITLE	GCV135 GCV135E GCV160 GCV160A GCV135A GCV160E	
NEWS NO.	027	

Block No.	Ref. No.	Note	Part No.	Description	Reqd. QTY						Serial No.	Parts catalogue code		
					GCV 135	GCV 135 E	GCV 160	GCV 160 A	GCV 135 A	GCV 160 E				
E-6	3	L	15625-ZE1-003	PACKING, OIL FILLER CAP .....	1	1	1	-	-	1	-----	-----	A1A, A1C, A1D, A2A, A2C, A2D, A2R, N1, N1D, N1J1, N2 N2D	
					1	-	1	1	-	-	-----	-----	A1J, A1M, N1L	
					-	-	-	1	-	-	-----	3724306	A1A, A1AF, A1AS, A1C, A2A, A2C, A2R, A3A, N1A, N1AF N1C, N5A, N5AF, N5C, S1A, S1A1, S3A2	
					-	-	-	-	1	-	-----	-----	N5MF	
		T	15625-Z2L-801	.....	-	-	-	1	-	-	-----	-----	3724307	A1A, A1AF, A1AS, A1C, A2A, A2C, A2R, A3A, N1A, N1AF N1C, N5A, N5AF, N5C, S1A, S1A1, S3A2
	7	L	15650-ZM0-003	GAUGE ASSY., OIL LEVEL .....	1	1	1	-	-	1	-----	-----	A1A, A1C, A1D, A2A, A2C, A2D, A2R, N1, N1D, N1J1, N2 N2D	
					1	-	1	1	-	-	-----	-----	A1J, A1M, N1L	
					-	-	-	1	-	-	-----	3724306	A1A, A1AF, A1AS, A1C, A2A, A2C, A2R, A3A, N1A, N1AF N1C, N5A, N5AF, N5C, S1A, S1A1, S3A2	
					-	-	-	-	1	-	-----	-----	N5MF	
		T	15650-Z0L-000	.....	-	-	-	1	-	-	-----	-----	N5MF	

NOTE A:PART NO. CHANGE D:NEWLY PROVIDED E:PART NO. DELETION K:REQUIRED NO. CORRECTION L:APPLICATION SERIAL NO. CORRECTION  
T:APPLICATION CORRECTION Z:REMARKS CHANGE

PARTS CATALOGUE NEWS

BOOKNo. : 13ZM00E6

Block No.	Ref. No.	Note	Part No.	Description	Reqd. QTY						Serial No.	Parts catalogue code	
					GCV 135	GCV 135 E	GCV 160	GCV 160 A	GCV 135 A	GCV 160 E			
					-	-	-	1	-	-	3724307	-----	A1A, A1AF, A1AS, A1C, A2A, A2C, A2R, A3A, N1A, N1AF N1C, N5A, N5AF, N5C, S1A, S1A1, S3A2
E-11	1		28400-ZMO-633ZA	STARTER ASSY., RECOIL (LONG ROPE) *NH1*.....BLACK	-	1	-	1	-	1	-----	-----	A1A, A1AE, A1AF, A1AS, A1C, A1E, A1E7, A1E8, A1G7 A1M, A1P, A2A, A2C, A2E, A2E7, A2E8, A2E9, A2G7, A3A A3E, A3E7, A3W8, EHHB, E1A2, E1G7, E2G7, N1R, N1S N1S7, N1T8, N1T9, N1W, N1W7, N2KA, N3T8, N3T9, N3U N3W8, N3W9, R1A, R3A, S1A, S1M, S2E, S2G7, S3A2, S3H
					-	-	-	1	-	-	-----	3396966	BHH, S3A, S3H2
					-	-	-	-	-	1	-----	-----	A1W7, N1W8, N1W9
		A	28400-ZOL-V20ZA	*NH1*.....BLACK	-	-	-	1	-	-	3396967	-----	BHH, S3A, S3H2
	9	L	28462-ZL8-631	ROPE, RECOIL STARTER (LONG TYPE)	1	1	1	1	-	1	-----	-----	A1A, A1AE, A1AF, A1AS, A1C, A1D, A1E, A1E1, A1E7 A1E8, A1G7, A1J, A1M, A1P, A1U, A1W2, A1W7, A2A, A2C A2D, A2E, A2E1, A2E4, A2E7, A2E8, A2E9, A2G, A2G7 A2U, A3A, A3E, A3E7, A3W7, A3W8, A4E, EHHB, E1A2 E1G7, E2G7, N1, N1G, N1R, N1S, N1S7, N1T8, N1T9, N1W N1W1, N1W2, N1W7, N1W8, N1W9, N2, N2KA, N3T8, N3T9 N3U, N3W8, N3W9, R1A, R3A, S1A, S1A1, S1M, S2E, S2G7 S3A2, S3H
					-	-	-	1	-	-	-----	3396966	BHH, S3A, S3H2
		T	28462-ZOL-V20	ROPE, RECOIL STARTER (BLACK) (LONG TYPE)	-	-	-	1	-	-	-----	-----	BHH1
					-	-	-	1	-	-	3396967	-----	BHH, S3A, S3H2
E-12	20	L	17703-ZOL-780	TUBE B, FUEL .....	-	-	1	-	-	1	-----	-----	A7E1, N7A1
					-	-	-	1	-	-	-----	2642930	A7E1, N7A1
		T	17703-ZOL-790	.....	-	-	-	1	-	-	-----	-----	N7S1
					-	-	-	1	-	-	2642931	-----	A7E1, N7A1
E-14	7	L	16100-ZMO-804	CARBURETOR ASSY. (BB62B E) ...	-	-	-	1	-	1	-----	-----	A1M, A3E9, A3W7, A3W8, N1L, N3T8, N3T9, N3W8, N3W9
					-	-	-	1	-	-	-----	3698326	NBL1

NOTE A:PART NO. CHANGE D:NEWLY PROVIDED E:PART NO. DELETION K:REQUIRED NO. CORRECTION L:APPLICATION SERIAL NO. CORRECTION  
T:APPLICATION CORRECTION Z:REMARKS CHANGE



PARTS CATALOGUE NEWS

BOOKNo. : 13ZM00E6

Block No.	Ref. No.	Note	Part No.	Description	Reqd. QTY						Serial No.	Parts catalogue code	
					GCV 135	GCV 135 E	GCV 160	GCV 160 A	GCV 135 A	GCV 160 E			
					-	-	-	1	-	-	3201358	-----	A1E, A1E7, A1E8, A1W7, A2E7, A2E8, A2E9, A2G7, A3E EHHB, E1A2, E1A4, E1G7, E2G7, E5A4, N1E1, N1E7, N1R N1U, N1W7, N1W8, N1W9, N2E7, N2E8, N2E9, N2U, N3U N3V
		T	16100-ZOL-003	CARBURETOR ASSY. (BB62W A) ...	-	-	-	1	-	-	3201358	3698326	A1A, A1AS, A1C, A2A, A2C, A2R, BHH, N1A, N1C, N5A, N5C
					-	-	-	1	-	-	-----	-----	BHH1
					-	-	-	1	-	-	3698327	-----	A1A, A1AS, A1C, A2A, A2C, A2R, BHH, NBL1, N1A, N1C N5A, N5C
E-16	2	L	18321-ZL8-A00	PROTECTOR, MUFFLER (BLACK) ...	1	1	1	-	-	1	-----	-----	A1P, A2G, N1G, N1S, N1S7
					-	-	-	1	-	-	-----	2307311	A1AE, BHH, S3A
		T	18321-ZOL-J00	PROTECTOR, MUFFLER .....	-	-	-	1	-	-	-----	-----	BHH1, EHHB, NBL1, RTL1, R3A, STA1, STL1, S1M, S3H S3H2
					-	-	-	1	-	-	2307312	-----	A1AE, BHH, S3A
E-19	22		31105-ZOL-820	FLYWHEEL ASSY. ....	-	-	-	1	-	-	-----	3671989	RTL1
		A	31105-ZOL-821	.....	-	-	-	1	-	-	-----	-----	E1A2, E1G7, E2G7, R1A, R3A, R3A1
					-	-	-	1	-	-	3671990	-----	RTL1

NOTE A:PART NO. CHANGE D:NEWLY PROVIDED E:PART NO. DELETION K:REQUIRED NO. CORRECTION L:APPLICATION SERIAL NO. CORRECTION  
T:APPLICATION CORRECTION Z:REMARKS CHANGE



# PARTS CATALOGUE NEWS

Honda Motor Co., Ltd. Service Division

Printed in Japan

CODE NO.	BOOKLET TYPE	13ZM00E6
	MICRO- FICHE	13ZM00EF/FF
PARTS CATALOGUE TITLE	GCV135 GCV135E GCV160 GCV160A GCV135A GCV160E	
NEWS NO.	028	

## GCV160A-N5R TYPE sales parts information

NOTE: This Parts Catalogue News explains only the parts of the different model that are produced to conform to addition of the GCV160A-N5R type.

As for the parts not listed on this Parts Catalogue News, use the parts of the GCV160A-N5AF type.

### •Models, parts catalogue codes and applicable serial numbers

Model	Type		Parts catalogue type	Applicable engine serial No.	Applicable carburetor identification No.
GCV160A	N5AF	Base model	N5AF	GJAEA-1000001~	BB62B D BB62H A / B
	N5R	Additional model	N5R		BB65A A

•Features of each type		Base type	Additional type	
Model		GCV160A		
Specifications		Type	N5AF	N5R
Crankshaft	20Øx133.8mm			
	22.2Øx100.4mm	●	●	
	22.2Øx117.4mm			
	22.2Øx135.7mm			
	25Øx117.4mm			
	25Øx135.7mm			
Recoil starter		●	●	
Recoil starter (Long rope)				
Flywheel brake				

## PARTS CATALOGUE NEWS

BOOKNo. : 13ZM00E6

Block No.	Ref. No.	Part No.	Description	Reqd. QTY						Base Part No.	Parts catalogue code
				GCV 135	GCV 135 E	GCV 160	GCV 160 A	GCV 135 A	GCV 160 E		
E-6	1	11300-ZM0-407	PAN ASSY., OIL .....	-	-	-	1	-	-	11300-ZOL-405	
	24		BOLT, DRAIN PLUG, 12X15 .....	-	-	-	0	-	-	90131-883-000	
	25		WASHER, DRAIN PLUG, 12MM .....	-	-	-	0	-	-	94109-12000	
E-8	3	13200-Z0J-000	ROD ASSY., CONNECTING .....	-	-	-	1	-	-	13200-ZL8-000	
	6	13010-ZOL-004	RING SET, PISTON (TEIKOKU) ...	-	-	-	1	-	-	13010-ZL8-024	
E-10	10	14771-Z0J-000	RETAINER, VALVE SPRING .....	-	-	-	2	-	-	14771-ZE1-000	
E-11	1	28400-ZL8-023ZC	STARTER ASSY., RECOIL *R280*..... POWER RED	-	-	-	1	-	-	28400-ZL8-023ZA	
E-12	6	19610-ZOL-000ZD	COVER COMP., FAN *R280*..... POWER RED	-	-	-	1	-	-	19610-ZOL-000ZA	
	11	91425-ZOL-801	TUBE, FUEL, 5.3X150(FKM) .....	-	-	-	1	-	-	95001-55150-40	
	13		CLIP, TUBE (B10) .....	-	-	-	0	-	-	95002-02100	
	32	17702-ZOL-801	TUBE, FUEL (FKM) .....	-	-	-	1	-	-	17702-ZM0-800	
	33		CLIP, TUBE (B8) .....	-	-	-	0	-	-	95002-02080	
	34	95002-40800-08	CLAMP, TUBE (D8) .....	-	-	-	2	-	-		
	35	95002-41000-08	CLAMP, TUBE (D10) .....	-	-	-	2	-	-		
E-14	7	16100-ZOL-861	CARBURETOR ASSY. (BB65A A) ...	-	-	-	1	-	-	16100-ZOL-812	
E-19	2	19612-ZOL-000	PLATE, SIDE .....	-	-	-	1	-	-	19612-ZM0-J20	
E-22-2	3	16561-ZM0-V30	SPRING, GOVERNOR .....	-	-	-	1	-	-	16561-ZM0-000	
E-28	1		MARK, EMBLEM (GCV160 5.5) ....	-	-	-	0	-	-	87101-ZM0-000	
	20	87114-ZH7-821	LABEL, WARNING (NOT CERTIFIED FOR SALE)	-	-	-	1	-	-		

NOTE A:PART NO. CHANGE D:NEWLY PROVIDED E:PART NO.DELETION K:REQUIRED NO. CORRECTION L:APPLICATION SERIAL NO. CORRECTION  
T:APPLICATION CORRECTION Z:REMARKS CHANGE



# PARTS CATALOGUE NEWS

Honda Motor Co., Ltd. Service Division

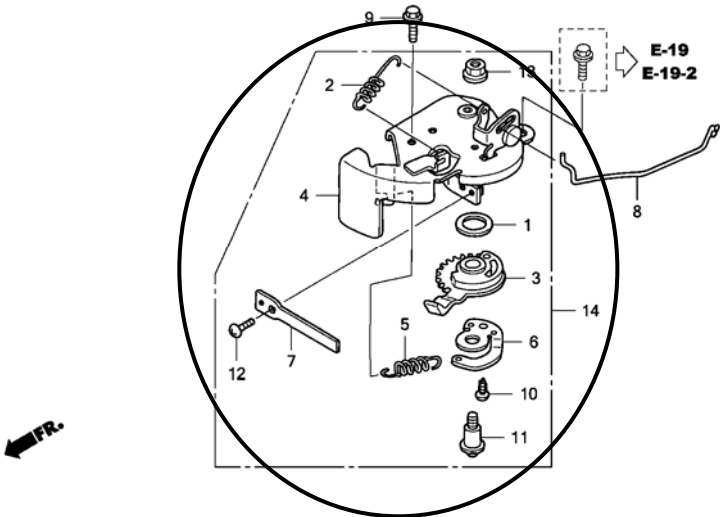
## PARTS CATALOGUE - CORRECTED

Printed in Japan

CODE NO.	BOOKLET TYPE	13ZM00E6
	MICRO-FICHE	13ZM00EF/FF
PARTS CATALOGUE NEWS	GCV135 GCV135E GCV160 GCV160A GCV135A GCV160E	
NEWS NO.	029	

Block No.	Ref. No.	Note	Part No.	Description	Reqd. QTY						Serial No.	Parts catalogue code
					GCV 135	GCV 135E	GCV 160	GCV 160A	GCV 135A	GCV 160E		

E-22-3 CHOKE BASE



ZM00E2203C

E-22-3	14	D	16610-ZOL-800	LEVER ASSY., CHOKE .....	-	-	-	1	-	1	-----	RTL1, R1A, R3A, R3A1, STA1, STL1, S1A, S1A1, S1E1 S2E, S2E1, S3A, S3H2
--------	----	---	---------------	--------------------------	---	---	---	---	---	---	-------	---

NOTE A:PART NO. CHANGE D:NEWLY PROVIDED E:PART NO. DELETION K:REQUIRED NO. CORRECTION L:APPLICATION SERIAL NO. CORRECTION  
T:APPLICATION CORRECTION Z:REMARKS CHANGE

PARTS CATALOGUE NEWS

BOOKNo. : 13ZM00E6

Block No.	Ref. No.	Note	Part No.	Description	Reqd. QTY						Serial No.	Parts catalogue code
					GCV 135	GCV 135 E	GCV 160	GCV 160 A	GCV 135 A	GCV 160 E		
		D	16610-ZOM-800	.....	-	1	-	-	-	-	-----	S2E, S2E1

NOTE A:PART NO. CHANGE D:NEWLY PROVIDED E:PART NO.DELETION K:REQUIRED NO. CORRECTION L:APPLICATION SERIAL NO. CORRECTION  
 T:APPLICATION CORRECTION Z:REMARKS CHANGE



# PARTS CATALOGUE NEWS

Honda Motor Co., Ltd. Service Division

## PARTS CATALOGUE - CORRECTED

Printed in Japan

CODE NO.	BOOKLET TYPE	13ZM00E6
	MICRO- FICHE	13ZM00EF/FF
PARTS CATALOGUE NEWS	GCV135 GCV135E GCV160 GCV160A GCV135A GCV160E	
NEWS NO.	030	

Block No.	Ref. No.	Note	Part No.	Description	Reqd. QTY						Serial No.	Parts catalogue code
					GCV 135	GCV 135 E	GCV 160	GCV 160 A	GCV 135 A	GCV 160 E		
E-12	2	T	16950-ZG9-M02	COCK ASSY., FUEL .....	1	-	1	-	-	-	-----	A1D, A1E1, A1J, A1U, A2D, A2E1, A2U, A4E, N1E, N2D N2E2
					1	-	-	-	-	-	-----	A3E, N1E1, N2E3
					-	1	-	-	-	-	-----	A2G, N1G
	T	16950-ZG9-M03	.....	1	-	-	-	-	-	-----	1623712	A1A, A1C, A1E, A1E7, A1E8, A2A, A2C, A2E, A2E4, A2E7 A2E8, A2E9, A2G, A2G7, A2R, A7E1, N1D, N1G, N1S N1S7, N1U, N1W, N1W1, N1W7, N1W8, N2E, N2E1, N2E7 N2E8, N2E9, N2U, N7E1, N7E2
				-	1	-	-	-	-	-----	A1G9	
					-	1	-	-	-	-----	1694818	A1E, A1E7, A1E8, A2E, A2E7, A2E8, A2E9, A2G7, A2G9 A7E1, N1E, N1S, N1S7, N1W, N1W7, N1W8, N2E, N2E1 N2E3, N2E7, N2E8, N2E9, N7E1, N7E2, S2E, S2E1
					-	-	1	-	-	-----	2439088	A1A, A1C, A1E, A1E7, A1E8, A1G7, A1P, A1W2, A1W7 A2A, A2C, A2E, A2E4, A2E7, A2E8, A2E9, A2G7, A2R A3E, A7E1, N1, N1D, N1E1, N1E2, N1E7, N1R, N1U, N1W N1W1, N1W2, N1W7, N1W8, N1W9, N2, N2E, N2E1, N2E3 N2E7, N2E8, N2E9, N2U, N3U, N3V, N7A1

NOTE A:PART NO. CHANGE D:NEWLY PROVIDED E:PART NO. DELETION K:REQUIRED NO. CORRECTION L:APPLICATION SERIAL NO. CORRECTION  
T:APPLICATION CORRECTION Z:REMARKS CHANGE

PARTS CATALOGUE NEWS

BOOKNo. : 13ZM00E6

Block No.	Ref. No.	Note	Part No.	Description	Reqd. QTY						Serial No.	Parts catalogue code
					GCV 135	GCV 135 E	GCV 160	GCV 160 A	GCV 135 A	GCV 160 E		
					-	-	-	1	-	-	----- 2510374	A1A, A1AE, A1AF, A1AS, A1C, A1E7, A1E8, A1W7, A2A A2C, A2E7, A2E8, A2E9, A2G7, A2R, A3A, A7E1, BHH N1A, N1AF, N1C, N1E7, N1U, N1W7, N1W8, N1W9, N2E7 N2E8, N2E9, N2U, N3V, N5A, N5AF, N5C, N7A1, STA1 S1A, S1A1, S3A
					-	-	-	-	1	-		
					-	-	-	-	-	1	----- 1197181	A1E7, A1E8, A1G7, A1W7, A2E7, A2E8, A2E9, A2G7 A2G9, A7E1, N1E7, N1W7, N1W8, N1W9, N2E7, N2E8 N2E9, N7A1, S2E, S2E1
	3	T	16956-ZM0-000	BRACKET, FUEL COCK .....	1	-	1	-	-	-	----- -----	A1D, A1E1, A1J, A1U, A2D, A2E1, A2U, A4E, N1E, N2D N2E2
					1	-	-	-	-	-	----- -----	A3E, N1E1, N2E3
					1	-	-	-	-	-	----- 1623712	A1A, A1C, A1E, A1E7, A1E8, A2A, A2C, A2E, A2E4, A2E7 A2E8, A2E9, A2G, A2G7, A2R, A7E1, N1D, N1G, N1S N1S7, N1U, N1W, N1W1, N1W7, N1W8, N2E, N2E1, N2E7 N2E8, N2E9, N2U, N7E1, N7E2
					-	1	-	-	-	-	----- -----	A2G, N1G
					-	-	1	-	-	-	----- 2439088	A1A, A1C, A1E, A1E7, A1E8, A1G7, A1P, A1W2, A1W7 A2A, A2C, A2E, A2E4, A2E7, A2E8, A2E9, A2G7, A2R A3E, A7E1, N1, N1D, N1E1, N1E2, N1E7, N1R, N1U, N1W N1W1, N1W2, N1W7, N1W8, N1W9, N2, N2E, N2E1, N2E3 N2E7, N2E8, N2E9, N2U, N3U, N3V, N7A1
		T	16956-ZG9-M00	.....	-	1	-	-	-	-	----- -----	A1G9
					-	1	-	-	-	-	----- 1694818	A1E, A1E7, A1E8, A2E, A2E7, A2E8, A2E9, A2G7, A2G9 A7E1, N1E, N1S, N1S7, N1W, N1W7, N1W8, N2E, N2E1 N2E3, N2E7, N2E8, N2E9, N7E1, N7E2
					-	-	-	1	-	-	----- 2510374	A1A, A1AE, A1AF, A1AS, A1C, A1E7, A1E8, A1W7, A2A A2C, A2E7, A2E8, A2E9, A2G7, A2R, A3A, A7E1, BHH N1A, N1AF, N1C, N1E7, N1U, N1W7, N1W8, N1W9, N2E7 N2E8, N2E9, N2U, N3V, N5A, N5AF, N5C, N7A1, STA1 S1A, S1A1, S3A
					-	-	-	-	1	-		
					-	-	-	-	-	1	----- 1197181	A1E7, A1E8, A1G7, A1W7, A2E7, A2E8, A2E9, A2G7 A2G9, A7E1, N1E7, N1W7, N1W8, N1W9, N2E7, N2E8 N2E9, N7A1

NOTE A:PART NO. CHANGE D:NEWLY PROVIDED E:PART NO.DELETION K:REQUIRED NO. CORRECTION L:APPLICATION SERIAL NO. CORRECTION  
T:APPLICATION CORRECTION Z:REMARKS CHANGE



PARTS CATALOGUE NEWS

BOOKNo. : 13ZM00E6

Block No.	Ref. No.	Note	Part No.	Description	Reqd. QTY						Serial No.	Parts catalogue code
					GCV 135	GCV 135 E	GCV 160	GCV 160 A	GCV 135 A	GCV 160 E		
	5	L	17702-ZMO-000	TUBE, FUEL .....	1	1	1	-	-	-	-----	A1D, A1E1, A1G9, A1J, A1U, A2D, A2E1, A2U, A4E, N2D N2E2
					1	-	-	-	-	-	-----	A3E, N1E, N1E1, N2E3
					1	-	-	-	-	-	-----	1623712 A1A, A1C, A1E, A1E7, A1E8, A2A, A2C, A2E, A2E4, A2E7 A2E8, A2E9, A2G, A2G7, A2R, A7E1, N1D, N1G, N1S N1S7, N1U, N1W, N1W1, N1W7, N1W8, N2E, N2E1, N2E7 N2E8, N2E9, N2U, N7E1, N7E2
					-	1	-	-	-	-	-----	A2G, N1G
					-	1	-	-	-	-	-----	1694818 A1E, A1E7, A1E8, A2E, A2E7, A2E8, A2E9, A2G7, A2G9 A7E1, N1E, N1S, N1S7, N1W, N1W7, N1W8, N2E, N2E1 N2E3, N2E7, N2E8, N2E9, N7E1, N7E2, S2E, S2E1
					-	-	1	-	-	-	-----	2439088 A1A, A1C, A1E, A1E7, A1E8, A1G7, A1P, A1W2, A1W7 A2A, A2C, A2E, A2E4, A2E7, A2E8, A2E9, A2G7, A2R A3E, A7E1, N1, N1D, N1E1, N1E2, N1E7, N1R, N1U, N1W N1W1, N1W2, N1W7, N1W8, N1W9, N2, N2E, N2E1, N2E3 N2E7, N2E8, N2E9, N2U, N3U, N3V, N7A1
					-	-	-	1	-	-	-----	2510374 A1A, A1AE, A1AF, A1AS, A1C, A1E7, A1E8, A1W7, A2A A2C, A2E7, A2E8, A2E9, A2G7, A2R, A3A, A7E1, BHH N1A, N1AF, N1C, N1E7, N1U, N1W7, N1W8, N1W9, N2E7 N2E8, N2E9, N2U, N3V, N5A, N5AF, N5C, N7A1, STA1 S1A, S1A1, S3A
					-	-	-	-	1	-	-----	
					-	-	-	-	-	1	-----	1197181 A1E7, A1E8, A1G7, A1W7, A2E7, A2E8, A2E9, A2G7 A2G9, A7E1, N1E7, N1W7, N1W8, N1W9, N2E7, N2E8 N2E9, N7A1, S2E, S2E1
	6	L	19610-ZMO-010ZA	COVER COMP., FAN *NH1*.....BLACK	-	-	1	1	-	-	-----	A1G7, A2E4, A2R, N1A, N1C, N1J1, N5A, N5C
					-	-	1	-	-	-	-----	A1E7, A1E8, A2E7, A2E8, A2E9, A2G7, A7E1, N1E7 N1W7, N1W8, N1W9, N2E7, N2E8, N2E9, N3U, N3V, N7A1
					-	-	1	-	-	-	-----	1417475 A1A, A1C, A1E, A1J, A1U, A2A, A2C, A2E, A2U, A3E, A4E N1, N1D, N1E1, N1E2, N1U, N1W, N2, N2D, N2E, N2E1 N2E2, N2E3, N2U
					-	-	-	1	-	-	-----	A1A, A1C, A2A, A2C

NOTE A:PART NO. CHANGE D:NEWLY PROVIDED E:PART NO.DELETION K:REQUIRED NO. CORRECTION L:APPLICATION SERIAL NO. CORRECTION  
T:APPLICATION CORRECTION Z:REMARKS CHANGE

PARTS CATALOGUE NEWS

BOOKNo. : 13ZM00E6

Block No.	Ref. No.	Note	Part No.	Description	Reqd. QTY						Serial No.	Parts catalogue code
					GCV 135	GCV 135 E	GCV 160	GCV 160 A	GCV 135 A	GCV 160 E		
					-	-	-	-	-	1	----- 1215355	A1E7, A1E8, A1G7, A1W7, A2E7, A2E8, A2E9, A2G7 A2G9, A3E7, A7E1, N1E7, N1W7, N1W8, N1W9, N2E7 N2E8, N2E9, N7A1
		L	19610-ZM0-010ZC	*Y166R*..... WOLF YELLOW	-	-	1	1	-	-	-----	A1W2, A1W7, N1W1, N1W2, N1W8, N1W9
					-	-	-	-	-	1	----- 1215355	A1W7, N1W7, N1W8, N1W9
		T	19610-ZM0-010ZD	*R280*..... POWER RED	-	-	1	-	-	-	-----	N3U
					-	-	1	-	-	-	2424488	A1E, A1E7, A1E8, A2E, A2E4, A2E7, A2E8, A2E9, A2G7 N1E2, N1R, N1U, N2E, N2E3, N2E7, N2E9, N2U, N3V
					-	-	-	-	-	1	----- 1215355	A1E7, A1E8, A2E7, A2E8, A2E9, A2G7, N1E7, N1W7 N2E7, N2E8, N2E9
		T	19610-Z1L-000ZA	*NH1*..... BLACK	-	-	-	-	-	1	-----	A1G9, A2A9, A2G4, A2R, A3E9, A3W8, N1D, N1E1, N1E2 N1J1, N1R, N1T8, N1T9, N3T8, N3T9, N3W8, N3W9
					-	-	-	-	-	1	1215356	A1E7, A1E8, A1G7, A1W7, A2E7, A2E8, A2E9, A2G7 A2G9, A3E7, A7E1, N1E7, N1W7, N1W8, N1W9, N2E7 N2E8, N2E9, N7A1
		T	19610-Z1L-000ZB	*R280*..... POWER RED	-	-	-	-	-	1	-----	A1G9, A2G4, A2R, N1D, N1E1, N1E2, N1J1, N1R
					-	-	-	-	-	1	1215356	A1E7, A1E8, A2E7, A2E8, A2E9, A2G7, N1E7, N1W7 N2E7, N2E8, N2E9
		T	19610-Z1L-000ZC	*Y166R*..... WOLF YELLOW	-	-	-	-	-	1	-----	A3W7, A3W8, N3W8, N3W9
					-	-	-	-	-	1	1215356	A1W7, N1W7, N1W8, N1W9
12		L	95002-02080	CLIP, TUBE (B8) .....	1	1	1	-	-	-	-----	A1D, A1E1, A1G9, A1J, A1U, A2D, A2E1, A2U, A4E, N2D N2E2
					1	-	-	-	-	-	-----	A3E, N1E, N1E1, N2E3
					1	-	-	-	-	-	----- 1623712	A1A, A1C, A1E, A1E7, A1E8, A2A, A2C, A2E, A2E4, A2E7 A2E8, A2E9, A2G, A2G7, A2R, A7E1, N1D, N1G, N1S N1S7, N1U, N1W, N1W1, N1W7, N1W8, N2E, N2E1, N2E7 N2E8, N2E9, N2U, N7E1, N7E2
					-	1	-	-	-	-	-----	A2G, N1G
					-	1	-	-	-	-	----- 1694818	A1E, A1E7, A1E8, A2E, A2E7, A2E8, A2E9, A2G7, A2G9 A7E1, N1E, N1S, N1S7, N1W, N1W7, N1W8, N2E, N2E1 N2E3, N2E7, N2E8, N2E9, N7E1, N7E2, S2E, S2E1

NOTE A:PART NO. CHANGE D:NEWLY PROVIDED E:PART NO. DELETION K:REQUIRED NO. CORRECTION L:APPLICATION SERIAL NO. CORRECTION  
T:APPLICATION CORRECTION Z:REMARKS CHANGE

PARTS CATALOGUE NEWS

BOOKNo. : 13ZM00E6

Block No.	Ref. No.	Note	Part No.	Description	Reqd. QTY						Serial No.	Parts catalogue code	
					GCV 135	GCV 135 E	GCV 160	GCV 160 A	GCV 135 A	GCV 160 E			
					-	-	1	-	-	-	-----	2439088	A1A, A1C, A1E, A1E7, A1E8, A1G7, A1P, A1W2, A1W7 A2A, A2C, A2E, A2E4, A2E7, A2E8, A2E9, A2G7, A2R A3E, A7E1, N1, N1D, N1E1, N1E2, N1E7, N1R, N1U, N1W N1W1, N1W2, N1W7, N1W8, N1W9, N2, N2E, N2E1, N2E3 N2E7, N2E8, N2E9, N2U, N3U, N3V, N7A1
					-	-	-	1	-	-	-----	2510374	A1A, A1AE, A1AF, A1AS, A1C, A1E7, A1E8, A1W7, A2A A2C, A2E7, A2E8, A2E9, A2G7, A2R, A3A, A7E1, BHH N1A, N1AF, N1C, N1E7, N1U, N1W7, N1W8, N1W9, N2E7 N2E8, N2E9, N2U, N3V, N5A, N5AF, N5C, N7A1, STA1 S1A, S1A1, S3A
					-	-	-	-	1	-			
					-	-	-	-	-	1	-----	1197181	A1E7, A1E8, A1G7, A1W7, A2E7, A2E8, A2E9, A2G7 A2G9, A7E1, N1E7, N1W7, N1W8, N1W9, N2E7, N2E8 N2E9, N7A1, S2E, S2E1
	14	L	95002-50000	CL IP, TUBE (C9) .....	1	1	1	-	-	-	-----	-----	A1D, A1E1, A1G9, A1J, A1U, A2D, A2E1, A2U, A4E, N2D N2E2
					1	-	-	-	-	-	-----	-----	A3E, N1E, N1E1, N2E3
					1	-	-	-	-	-	-----	1623712	A1A, A1C, A1E, A1E7, A1E8, A2A, A2C, A2E, A2E4, A2E7 A2E8, A2E9, A2G, A2G7, A2R, A7E1, N1D, N1G, N1S N1S7, N1U, N1W, N1W1, N1W7, N1W8, N2E, N2E1, N2E7 N2E8, N2E9, N2U, N7E1, N7E2
					-	1	-	-	-	-	-----	-----	A2G, N1G
					-	1	-	-	-	-	-----	1694818	A1E, A1E7, A1E8, A2E, A2E7, A2E8, A2E9, A2G7, A2G9 A7E1, N1E, N1S, N1S7, N1W, N1W7, N1W8, N2E, N2E1 N2E3, N2E7, N2E8, N2E9, N7E1, N7E2, S2E, S2E1
					-	-	1	-	-	-	-----	2439088	A1A, A1C, A1E, A1E7, A1E8, A1G7, A1P, A1W2, A1W7 A2A, A2C, A2E, A2E4, A2E7, A2E8, A2E9, A2G7, A2R A3E, A7E1, N1, N1D, N1E1, N1E2, N1E7, N1R, N1U, N1W N1W1, N1W2, N1W7, N1W8, N1W9, N2, N2E, N2E1, N2E3 N2E7, N2E8, N2E9, N2U, N3U, N3V, N7A1
					-	-	-	1	-	-	-----	2510374	A1A, A1AE, A1AF, A1AS, A1C, A1E7, A1E8, A1W7, A2A A2C, A2E7, A2E8, A2E9, A2G7, A2R, A3A, A7E1, BHH N1A, N1AF, N1C, N1E7, N1U, N1W7, N1W8, N1W9, N2E7 N2E8, N2E9, N2U, N3V, N5A, N5AF, N5C, N7A1, STA1 S1A, S1A1, S3A
					-	-	-	-	1	-			

NOTE A:PART NO. CHANGE D:NEWLY PROVIDED E:PART NO.DELETION K:REQUIRED NO. CORRECTION L:APPLICATION SERIAL NO. CORRECTION  
T:APPLICATION CORRECTION Z:REMARKS CHANGE

PARTS CATALOGUE NEWS

BOOKNo. : 13ZM00E6

Block No.	Ref. No.	Note	Part No.	Description	Reqd. QTY						Serial No.	Parts catalogue code
					GCV 135	GCV 135 E	GCV 160	GCV 160 A	GCV 135 A	GCV 160 E		
					-	-	-	-	-	1	----- 1197181	A1E7, A1E8, A1G7, A1W7, A2E7, A2E8, A2E9, A2G7 A2G9, A7E1, N1E7, N1W7, N1W8, N1W9, N2E7, N2E8 N2E9, N7A1, S2E, S2E1
	31	T	16950-ZM0-003	COCK ASSY., FUEL .....	1	-	-	-	-	-	1623713 -----	A1A, A1C, A1E, A1E7, A1E8, A2A, A2C, A2E, A2E4, A2E7 A2E8, A2E9, A2G, A2G7, A2R, A7E1, N1D, N1G, N1S N1S7, N1U, N1W, N1W1, N1W7, N1W8, N2E, N2E1, N2E7 N2E8, N2E9, N2U, N7E1, N7E2
					-	1	-	1	-	1	----- -----	A2G4, N1E1, N1R, N2KA
					-	1	-	-	-	1	----- -----	A2R, N1U
					-	1	-	-	-	-	1694819 -----	A1E, A1E7, A1E8, A2E, A2E7, A2E8, A2E9, A2G7, A2G9 A7E1, N1E, N1S, N1S7, N1W, N1W7, N1W8, N2E, N2E1 N2E3, N2E7, N2E8, N2E9, N7E1, N7E2, S2E, S2E1
					-	-	1	-	-	1	----- -----	N1J1
					-	-	1	-	-	-	2439089 -----	A1A, A1C, A1E, A1E7, A1E8, A1G7, A1P, A1W2, A1W7 A2A, A2C, A2E, A2E4, A2E7, A2E8, A2E9, A2G7, A2R A3E, A7E1, N1, N1D, N1E1, N1E2, N1E7, N1R, N1U, N1W N1W1, N1W2, N1W7, N1W8, N1W9, N2, N2E, N2E1, N2E3 N2E7, N2E8, N2E9, N2U, N3U, N3V, N7A1
					-	-	-	1	-	1	----- -----	A1E, A1G9, A1M, A1P, A2A9, A3E, A3E7, A3E9, A3W7 A3W8, BHH1, EHHB, E1A2, E1A4, E1G7, E2G7, E5A4 NBL1, N1D, N1E2, N1L, N1T8, N1T9, N3T8, N3T9, N3U N3W8, N3W9, N5MF, N5R, N7S1, RTL1, R1A, R3A, R3A1 STL1, S1E1, S1M, S2G7, S3A2, S3H, S3H2
					-	-	-	1	-	-	2510375 -----	A1A, A1AE, A1AF, A1AS, A1C, A1E7, A1E8, A1W7, A2A A2C, A2E7, A2E8, A2E9, A2G7, A2R, A3A, A7E1, BHH N1A, N1AF, N1C, N1E7, N1U, N1W7, N1W8, N1W9, N2E7 N2E8, N2E9, N2U, N3V, N5A, N5AF, N5C, N7A1, STA1 S1A, S1A1, S3A
					-	-	-	-	-	1	1197182 -----	A1E7, A1E8, A1G7, A1W7, A2E7, A2E8, A2E9, A2G7 A2G9, A7E1, N1E7, N1W7, N1W8, N1W9, N2E7, N2E8 N2E9, N7A1, S2E, S2E1
	32	T	17702-ZM0-800	TUBE, FUEL .....	1	-	-	-	-	-	1623713 -----	A1A, A1C, A1E, A1E7, A1E8, A2A, A2C, A2E, A2E4, A2E7 A2E8, A2E9, A2G, A2G7, A2R, A7E1, N1D, N1G, N1S N1S7, N1U, N1W, N1W1, N1W7, N1W8, N2E, N2E1, N2E7 N2E8, N2E9, N2U, N7E1, N7E2
					-	1	-	1	-	1	----- -----	A2G4, N1E1, N1R, N2KA

NOTE A:PART NO. CHANGE D:NEWLY PROVIDED E:PART NO.DELETION K:REQUIRED NO. CORRECTION L:APPLICATION SERIAL NO. CORRECTION  
T:APPLICATION CORRECTION Z:REMARKS CHANGE

PARTS CATALOGUE NEWS

BOOKNo. : 13ZM00E6

Block No.	Ref. No.	Note	Part No.	Description	Reqd. QTY						Serial No.	Parts catalogue code		
					GCV 135	GCV 135 E	GCV 160	GCV 160 A	GCV 135 A	GCV 160 E				
					-	1	-	-	-	-	-	-----	-----	A2R, N1U
					-	1	-	-	-	-	-	1694819	-----	A1E, A1E7, A1E8, A2E, A2E7, A2E8, A2E9, A2G7, A2G9 A7E1, N1E, N1S, N1S7, N1W, N1W7, N1W8, N2E, N2E1 N2E3, N2E7, N2E8, N2E9, N7E1, N7E2, S2E, S2E1
					-	-	1	-	-	1	-	-----	-----	N1J1
					-	-	1	-	-	-	-	2439089	-----	A1A, A1C, A1E, A1E7, A1E8, A1G7, A1P, A1W2, A1W7 A2A, A2C, A2E, A2E4, A2E7, A2E8, A2E9, A2G7, A2R A3E, A7E1, N1, N1D, N1E1, N1E2, N1E7, N1R, N1U, N1W N1W1, N1W2, N1W7, N1W8, N1W9, N2, N2E, N2E1, N2E3 N2E7, N2E8, N2E9, N2U, N3U, N3V, N7A1
					-	-	-	1	-	1	-	-----	-----	A1E, A1G9, A1M, A1P, A3E, A3E7, A3E9, A3W7, A3W8 EHHB, E1A2, E1A4, E1G7, E2G7, E5A4, NBL1, N1D, N1E2 N1L, N1T8, N1T9, N3T8, N3T9, N3U, N3W8, N3W9, N7S1 RTL1, R1A, R3A, R3A1, STL1, S1E1, S2G7, S3A2, S3H S3H2
					-	-	-	1	-	-	-	2510375	-----	A1A, A1AE, A1AF, A1AS, A1C, A1E7, A1E8, A1W7, A2A A2C, A2E7, A2E8, A2E9, A2G7, A2R, A3A, A7E1, BHH N1A, N1AF, N1C, N1E7, N1U, N1W7, N1W8, N1W9, N2E7 N2E8, N2E9, N2U, N3V, N5A, N5AF, N5C, N7A1, STA1 S1A, S1A1, S3A
					-	-	-	-	-	1	-	-----	1762462	A2A9, A2R
					-	-	-	-	-	1	-	1197182	-----	A1E7, A1E8, A1G7, A1W7, A2E7, A2E8, A2E9, A2G7 A2G9, A7E1, N1E7, N1W7, N1W8, N1W9, N2E7, N2E8 N2E9, S2E, S2E1
					-	-	-	-	-	1	-	1197182	1762462	N7A1
		T	17702-ZOL-801	TUBE, FUEL (FKM) .....	-	-	-	1	-	-	-	-----	-----	BHH1, N5MF, N5R, S1M
					-	-	-	-	-	1	-	1762463	-----	A2A9, A2R, N7A1
	33	T	95002-02080	CLIP, TUBE (B8) .....	2	-	-	-	-	-	-	1623713	-----	A1A, A1C, A1E, A1E7, A1E8, A2A, A2C, A2E, A2E4, A2E7 A2E8, A2E9, A2G, A2G7, A2R, A7E1, N1D, N1G, N1S N1S7, N1U, N1W, N1W1, N1W7, N1W8, N2E, N2E1, N2E7 N2E8, N2E9, N2U, N7E1, N7E2
					-	2	-	2	-	2	-	-----	-----	A2G4, N1E1, N1R, N2KA
					-	2	-	-	-	-	-	-----	-----	A2R, N1U

NOTE A:PART NO. CHANGE D:NEWLY PROVIDED E:PART NO.DELETION K:REQUIRED NO. CORRECTION L:APPLICATION SERIAL NO. CORRECTION  
T:APPLICATION CORRECTION Z:REMARKS CHANGE

PARTS CATALOGUE NEWS

BOOKNo. : 13ZM00E6

Block No.	Ref. No.	Note	Part No.	Description	Reqd. QTY						Serial No.	Parts catalogue code	
					GCV 135	GCV 135 E	GCV 160	GCV 160 A	GCV 135 A	GCV 160 E			
					-	2	-	-	-	-	1694819	-----	A1E, A1E7, A1E8, A2E, A2E7, A2E8, A2E9, A2G7, A2G9, A7E1, N1E, N1S, N1S7, N1W, N1W7, N1W8, N2E, N2E1, N2E3, N2E7, N2E8, N2E9, N7E1, N7E2, S2E, S2E1
					-	-	2	-	-	2	-----	-----	N1J1
					-	-	2	-	-	-	2439089	-----	A1A, A1C, A1E, A1E7, A1E8, A1G7, A1P, A1W2, A1W7, A2A, A2C, A2E, A2E4, A2E7, A2E8, A2E9, A2G7, A2R, A3E, A7E1, N1, N1D, N1E1, N1E2, N1E7, N1R, N1U, N1W, N1W1, N1W2, N1W7, N1W8, N1W9, N2, N2E, N2E1, N2E3, N2E7, N2E8, N2E9, N2U, N3U, N3V, N7A1
					-	-	-	2	-	2	-----	-----	A1E, A1G9, A1M, A1P, A3E, A3E7, A3E9, A3W7, A3W8, EHHB, E1A2, E1A4, E1G7, E2G7, E5A4, NBL1, N1D, N1E2, N1L, N1T8, N1T9, N3T8, N3T9, N3U, N3W8, N3W9, N7S1, RTL1, R1A, R3A, R3A1, STL1, S1E1, S2G7, S3A2, S3H, S3H2
					-	-	-	2	-	-	2510375	-----	A1A, A1AE, A1AF, A1AS, A1C, A1E7, A1E8, A1W7, A2A, A2C, A2E7, A2E8, A2E9, A2G7, A2R, A3A, A7E1, BHH, N1A, N1AF, N1C, N1E7, N1U, N1W7, N1W8, N1W9, N2E7, N2E8, N2E9, N2U, N3V, N5A, N5AF, N5C, N7A1, STA1, S1A, S1A1, S3A
					-	-	-	-	-	2	-----	1762462	A2A9, A2R
					-	-	-	-	-	2	1197182	-----	A1E7, A1E8, A1G7, A1W7, A2E7, A2E8, A2E9, A2G7, A2G9, A7E1, N1E7, N1W7, N1W8, N1W9, N2E7, N2E8, N2E9, S2E, S2E1
					-	-	-	-	-	2	1197182	1762462	N7A1
	34	T	95002-40800-08	CLAMP, TUBE (D8) .....	-	-	-	2	-	-	-----	-----	BHH1, N5MF, N5R, S1M
					-	-	-	-	-	2	1762463	-----	A2A9, A2R, N7A1
E-14	7		16100-ZM1-822	CARBURETOR ASSY. (BB64F A) ...	1	-	-	-	-	-	-----	-----	A1E7, A1E8, A2E4, A2E7, A2E8, A2E9, A2G7, N1S7, N1W7, N1W8, N2E7, N2E8, N2E9
					1	-	-	-	-	-	1580465	-----	A2R
					1	-	-	-	-	-	1623460	-----	A1A, A1C, A1E, A2A, A2C, A2E, A2G, N1D, N1E1, N1G, N1S, N1U, N1W, N1W1, N2E, N2E1, N2U
					-	1	-	-	-	-	-----	1982270	A1E, A1E7, A1E8, A1G9, A2E, A2E7, A2E8, A2E9, A2G4, A2G7, A2G9, A2R, N1E, N1S, N1S7, N1U, N1W, N1W7, N1W8, N2E, N2E1, N2E3, N2E7, N2E8, N2E9, N2KA

NOTE A:PART NO. CHANGE D:NEWLY PROVIDED E:PART NO.DELETION K:REQUIRED NO. CORRECTION L:APPLICATION SERIAL NO. CORRECTION  
T:APPLICATION CORRECTION Z:REMARKS CHANGE

PARTS CATALOGUE NEWS

BOOKNo. : 13ZM00E6

Block No.	Ref. No.	Note	Part No.	Description	Reqd. QTY						Serial No.	Parts catalogue code	
					GCV 135	GCV 135 E	GCV 160	GCV 160 A	GCV 135 A	GCV 160 E			
					-	-	-	-	1	-			
		L	16100-ZM0-803	CARBURETOR ASSY. (BB62B D) ...	-	-	1	-	-	-	-----	-----	A1E7, A1E8, A1G7, A1W2, A1W7, A2E4, A2E7, A2E8 A2E9, A2G7, A2R, N1E7, N1J1, N1R, N1W1, N1W2, N1W7 N1W8, N1W9, N2E7, N2E8, N2E9, N3U
					-	-	1	-	-	-	1676296	-----	A1A, A1C, A2A, A2C
					-	-	1	-	-	-	1733303	-----	A1E, A1J, A1P, A1U, A2E, A2U, A3E, A4E, N1, N1D, N1E1 N1E2, N1U, N1W, N2, N2D, N2E, N2E1, N2E2, N2E3, N2U N3V
					-	-	-	1	-	-	-----	2225727	A1AE, A1AF, A3A, N1AF, N5AF
					-	-	-	1	-	-	-----	3201357	A1A, A1AS, A1C, A1E, A1E7, A1E8, A1W7, A2A, A2C A2E7, A2E8, A2E9, A2G7, A2R, A3E, BHH, EHHB, E1A2 E1A4, E1G7, E2G7, E5A4, N1A, N1C, N1E1, N1E7, N1R N1U, N1W7, N1W8, N1W9, N2E7, N2E8, N2E9, N2U, N3U N3V, N5A, N5C
					-	-	-	-	-	1	-----	1524971	A1E7, A1E8, A1G7, A1G9, A1P, A1W7, A2A9, A2E7, A2E8 A2E9, A2G4, A2G7, A2G9, A2R, A3E7, N1D, N1E1, N1E2 N1E7, N1J1, N1R, N1T8, N1T9, N1W7, N1W8, N1W9, N2E7 N2E8, N2E9
		A	16100-ZM1-823	CARBURETOR ASSY. (BB64F B) ...	-	1	-	-	-	-	1982271	-----	A1E, A1E7, A1E8, A1G9, A2E, A2E7, A2E8, A2E9, A2G4 A2G7, A2G9, A2R, N1E, N1S, N1S7, N1U, N1W, N1W7 N1W8, N2E, N2E1, N2E3, N2E7, N2E8, N2E9, N2KA
		L	16100-ZOL-781	CARBURETOR ASSY. (BB62F A) ...	-	-	1	-	-	-	-----	-----	A7E1, N7A1
					-	-	-	1	-	-	-----	1456295	A7E1, N7A1
					-	-	-	-	-	1	-----	1527131	A7E1, N7A1
		T	16100-ZM0-804	CARBURETOR ASSY. (BB62B E) ...	-	-	-	1	-	1	-----	-----	A1M, A3E9, A3W7, A3W8, N1L, N3T8, N3T9, N3W8, N3W9
					-	-	-	1	-	-	-----	3698326	NBL1
					-	-	-	1	-	-	3201358	-----	A1E, A1E7, A1E8, A1W7, A2E7, A2E8, A2E9, A2G7, A3E EHHB, E1A2, E1A4, E1G7, E2G7, E5A4, N1E1, N1E7, N1R N1U, N1W7, N1W8, N1W9, N2E7, N2E8, N2E9, N2U, N3U N3V
					-	-	-	1	-	-	3201358	3698326	A1A, A1AS, A1C, A2A, A2C, A2R, BHH, N1A, N1C, N5A, N5C

NOTE A:PART NO. CHANGE D:NEWLY PROVIDED E:PART NO.DELETION K:REQUIRED NO. CORRECTION L:APPLICATION SERIAL NO. CORRECTION  
T:APPLICATION CORRECTION Z:REMARKS CHANGE

PARTS CATALOGUE NEWS

BOOKNo. : 13ZM00E6

Block No.	Ref. No.	Note	Part No.	Description	Reqd. QTY						Serial No.	Parts catalogue code
					GCV 135	GCV 135 E	GCV 160	GCV 160 A	GCV 135 A	GCV 160 E		
					-	-	-	-	-	1	1524972	A1E7, A1E8, A1G7, A1G9, A1P, A1W7, A2A9, A2E7, A2E8 A2E9, A2G4, A2G7, A2G9, A2R, A3E7, N1D, N1E1, N1E2 N1E7, N1J1, N1R, N1T8, N1T9, N1W7, N1W8, N1W9, N2E7 N2E8, N2E9
		T	16100-ZOL-782	CARBURETOR ASSY. (BB62F B) ...	-	-	-	1	-	-		N7S1
					-	-	-	1	-	-	1456296	A7E1, N7A1
					-	-	-	-	-	1	1527132	A7E1, N7A1
E-22	6	L	16576-891-000	HOLDER, CABLE .....	1	-	1	-	-	-		A1D, A1E1, A1J, A1U, A2D, A2E1, A2U, A4E, N1E, N2D N2E2
					1	-	-	-	-	-		A3E, N1E1, N2E3
					1	-	-	-	-	-	1623931	A1A, A1C, A1E, A1E7, A1E8, A2A, A2C, A2E, A2E4, A2E7 A2E8, A2E9, A2G, A2G7, A7E1, N1D, N1G, N1S, N1S7 N1U, N1W, N1W1, N1W7, N1W8, N2E, N2E1, N2E7, N2E8 N2E9, N2U, N7E1, N7E2
					-	1	-	1	-	-		A1A, A1C, A1W7, A2A, A2C, A2G, BHH, N1E7, N1G, N1W9 N2U, N3V, N7A1
					-	1	-	-	-	-	1811604	A1E, A1E7, A1E8, A1G9, A2E, A2E7, A2E8, A2E9, A2G7 A2G9, A7E1, N1E, N1S, N1S7, N1W, N1W7, N1W8, N2E N2E1, N2E3, N2E7, N2E8, N2E9, N7E1, N7E2
					-	-	1	-	-	-	2439633	A1A, A1C, A1E, A1E7, A1E8, A1G7, A1P, A1W2, A1W7 A2A, A2C, A2E, A2E4, A2E7, A2E8, A2E9, A2G7, A3E A7E1, N1, N1D, N1E1, N1E2, N1E7, N1J1, N1R, N1U, N1W N1W1, N1W2, N1W7, N1W8, N1W9, N2, N2E, N2E1, N2E3 N2E7, N2E8, N2E9, N2U, N3U, N3V, N7A1
					-	-	-	1	-	-		A1E7, A1E8, A2E7, A2E8, A2E9, A2G7, A7E1, N1U, N1W7 N1W8, N2E7, N2E8, N2E9
					-	-	-	-	-	1	1239887	A1E7, A1E8, A1G7, A1W7, A2E7, A2E8, A2E9, A2G7 A2G9, A3E7, A7E1, N1E7, N1W7, N1W8, N1W9, N2E7 N2E8, N2E9, N7A1
	8	L	16593-ZMO-000	SPRING, CONTROL LEVER RETURN .	1	1	1	1	-	1		A1W2, A1W7, BHH, BHH1, EHHB, NBL1, N1D, N1E, N1E1 N1E2, N1E7, N1G, N1J1, N1R, N1T9, N1U, N1W, N1W1 N1W2, N1W9, N2D, N2E, N2E1, N2E2, N2E3, N2E7, N2E8 N2E9, N2KA, N2U, N3T9, N3U, N3V, N3W9
					1	1	-	-	-	-		N1W7, N1W8

NOTE A:PART NO. CHANGE D:NEWLY PROVIDED E:PART NO.DELETION K:REQUIRED NO. CORRECTION L:APPLICATION SERIAL NO. CORRECTION  
T:APPLICATION CORRECTION Z:REMARKS CHANGE



PARTS CATALOGUE NEWS

BOOKNo. : 13ZM00E6

Block No.	Ref. No.	Note	Part No.	Description	Reqd. QTY						Serial No.	Parts catalogue code
					GCV 135	GCV 135 E	GCV 160	GCV 160 A	GCV 135 A	GCV 160 E		
					-	-	-	-	-	1	----- 1684422	A3W7, A3W8
	24	T	16617-VG3-000	HOLDER, CABLE .....	1	-	-	-	-	-	1623932 -----	A1A, A1C, A1E, A1E7, A1E8, A2A, A2C, A2E, A2E4, A2E7 A2E8, A2E9, A2G, A2G7, A7E1, N1D, N1G, N1S, N1S7 N1U, N1W, N1W1, N1W7, N1W8, N2E, N2E1, N2E7, N2E8 N2E9, N2U, N7E1, N7E2
					-	1	-	1	-	1	----- -----	A2G4, N1E1, N1R, N2KA
					-	1	-	-	-	-	----- -----	N1U
					-	1	-	-	-	-	1811605 -----	A1E, A1E7, A1E8, A1G9, A2E, A2E7, A2E8, A2E9, A2G7 A2G9, A7E1, N1E, N1S, N1S7, N1W, N1W7, N1W8, N2E N2E1, N2E3, N2E7, N2E8, N2E9, N7E1, N7E2
					-	-	1	-	-	-	2439634 -----	A1A, A1C, A1E, A1E7, A1E8, A1G7, A1P, A1W2, A1W7 A2A, A2C, A2E, A2E4, A2E7, A2E8, A2E9, A2G7, A3E A7E1, N1, N1D, N1E1, N1E2, N1E7, N1J1, N1R, N1U, N1W N1W1, N1W2, N1W7, N1W8, N1W9, N2, N2E, N2E1, N2E3 N2E7, N2E8, N2E9, N2U, N3U, N3V, N7A1
					-	-	-	1	-	1	----- -----	A1E, A1G9, A1M, A1P, A2A9, A3E, A3E9, A3W7, A3W8 E1G7, E2G7, NBL1, N1D, N1E2, N1J1, N1T8, N1T9, N3T8 N3T9, N3U, N3W8, N3W9, N7S1
					-	-	-	-	-	1	1239888 -----	A1E7, A1E8, A1G7, A1W7, A2E7, A2E8, A2E9, A2G7 A2G9, A3E7, A7E1, N1E7, N1W7, N1W8, N1W9, N2E7 N2E8, N2E9, N7A1

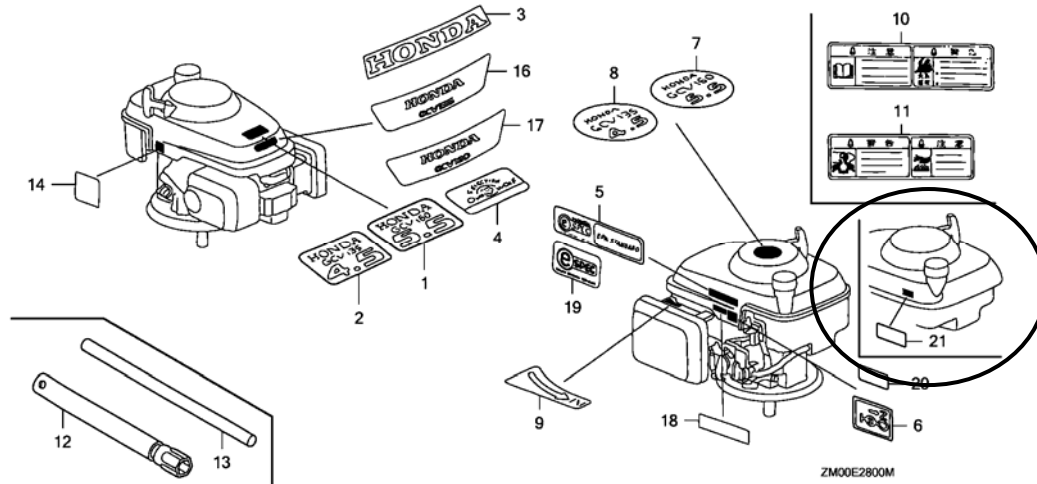
NOTE A:PART NO. CHANGE D:NEWLY PROVIDED E:PART NO. DELETION K:REQUIRED NO. CORRECTION L:APPLICATION SERIAL NO. CORRECTION  
T:APPLICATION CORRECTION Z:REMARKS CHANGE

PARTS CATALOGUE NEWS

BOOKNo. : 13ZM00E6

Block No.	Ref. No.	Note	Part No.	Description	Reqd. QTY						Serial No.	Parts catalogue code
					GCV 135 E	GCV 135 E	GCV 160	GCV 160 A	GCV 135 A	GCV 160 E		

E-28 LABEL/TOOL



E-28	4	L	87101-ZM0-V50	EMBLEM (WOLF) .....	1	1	1	-	-	-	-----	-----	A1W2, A1W7, N1W1, N1W2, N1W8	
											-----	2414990	N1W9	
											-----	2324321	A1W7, N1W8	
											-----	1284378	A1W7, N1W8	
		T	87101-ZM0-V51	.....	-	-	-	1	-	-	-----	2324322	A1W7, N1W8	
											-----	1284379	1344979	A1W7, N1W8
		T	87101-ZM0-U30	MARK, EMBLEM (WOLF) .....	-	-	-	-	-	1	-----	-----	A3W7, N3W8, N3W9	
											-----	1344980	-----	A1W7, N1W8, N1W9
	19	T	87135-ZE2-020	LABEL, E-SPEC (15.5X27.5) ....	1	1	-	1	-	-	-----	-----	N1U	
											-----	-----	A1E, A1P, A2E, A2E4, A2G, N1D, N1E2, N1G, N1R, N1S N1S7, N1W, N1W1, N2E, N2E1, N2U, N3U, N3V	
											-----	-----	A1E7, A1E8, A2E7, A2E8, A2E9, A2G7, A7E1, N1W7 N1W8, N2E7, N2E8, N2E9	

NOTE A:PART NO. CHANGE D:NEWLY PROVIDED E:PART NO.DELETION K:REQUIRED NO. CORRECTION L:APPLICATION SERIAL NO. CORRECTION  
T:APPLICATION CORRECTION Z:REMARKS CHANGE

PARTS CATALOGUE NEWS

BOOKNo. : 13ZM00E6

Block No.	Ref. No.	Note	Part No.	Description	Reqd. QTY						Serial No.	Parts catalogue code
					GCV 135	GCV 135 E	GCV 160	GCV 160 A	GCV 135 A	GCV 160 E		
					-	1	-	-	-	-	----- 1935252	A1E, A1E7, A1E8, A1G9, A2E, A2E7, A2E8, A2E9, A2G4 A2G7, A2G9, A7E1, N1E, N1S, N1S7, N1W, N1W7, N1W8 N2E, N2E1, N2E3, N2E7, N2E8, N2E9, S2E, S2E1
					-	-	1	-	-	1	-----	N1J1
					-	-	1	-	-	-	2436352 -----	A1E, A1E7, A1E8, A1G7, A1P, A1W2, A1W7, A2E, A2E4 A2E7, A2E8, A2E9, A2G7, A3E, A7E1, N1, N1D, N1E1 N1E2, N1E7, N1R, N1U, N1W, N1W1, N1W2, N1W7, N1W8 N1W9, N2, N2E, N2E1, N2E3, N2E7, N2E8, N2E9, N2U N3U, N3V
					-	-	-	1	-	1	-----	A3E, N1E1
					-	-	-	1	-	-	----- 2786632	A1E7, A1E8, A1W7, A2E7, A2E8, A2E9, A2G7, A7E1 N1E7, N1W7, N1W8, N1W9, N2E7, N2E8, N2E9
					-	-	-	-	-	1	----- 1423175	A1E7, A1E8, A1G7, A1G9, A1W7, A2E7, A2E8, A2E9 A2G4, A2G7, A2G9, A3E7, A7E1, N1E7, N1T8, N1T9 N1W7, N1W8, N1W9, N2E7, N2E8, N2E9, S1E1, S2E, S2E1
	20	T	87114-ZH7-840	LABEL, WARNING (NOT CERTIFIED FOR SALE)	-	-	-	1	-	-	-----	BHH1, S2G7
					-	-	-	-	-	1	1739042 -----	A1E7, A1E8, A1G7, A1W7, A2E7, A2E8, A2E9, A2G4 A2G7, A2G9, A3E7, A3E9, A3W7, A3W8, A7E1, N1E1 N1E2, N1E7, N1J1, N1T8, N1T9, N1W7, N1W8, N1W9 N2E7, N2E8, N2E9, N3T8, N3T9, N3W8, N3W9, S1E1, S2E S2E1
		D	87114-Z3E-000	.....	-	-	-	-	-	1	1764463 -----	N7A1
	21	D	87114-ZH7-840	LABEL, WARNING (NOT CERTIFIED FOR SALE)	-	-	-	-	-	1	1739042 -----	A1P

NOTE A:PART NO. CHANGE D:NEWLY PROVIDED E:PART NO.DELETION K:REQUIRED NO. CORRECTION L:APPLICATION SERIAL NO. CORRECTION  
T:APPLICATION CORRECTION Z:REMARKS CHANGE



# PARTS CATALOGUE NEWS

Honda Motor Co., Ltd. Service Division

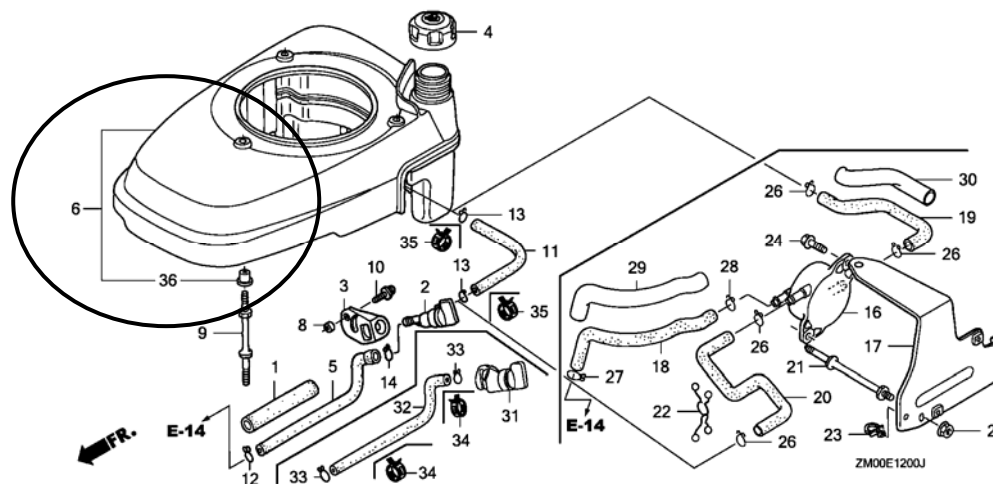
## PARTS CATALOGUE - CORRECTED

Printed in Japan

CODE NO.	BOOKLET TYPE	13ZM00E6
	MICRO-FICHE	13ZM00EF/FF
PARTS CATALOGUE NEWS	GCV135 GCV135E GCV160 GCV160A GCV135A GCV160E	
NEWS NO.	031	

Block No.	Ref. No.	Note	Part No.	Description	Reqd. QTY						Serial No.	Parts catalogue code
					GCV 135	GCV 135 E	GCV 160	GCV 160 A	GCV 135 A	GCV 160 E		

E-12 FAN COVER



E-12	36	D	19619-ZL8-300	COLLAR, FAN COVER .....	3	3	3	3	3	3		
------	----	---	---------------	-------------------------	---	---	---	---	---	---	--	--

NOTE A:PART NO. CHANGE D:NEWLY PROVIDED E:PART NO.DELETION K:REQUIRED NO. CORRECTION L:APPLICATION SERIAL NO. CORRECTION  
 T:APPLICATION CORRECTION Z:REMARKS CHANGE



# PARTS CATALOGUE NEWS

Honda Motor Co., Ltd. Service Division

## PARTS CATALOGUE - CORRECTED

Printed in Japan

CODE NO.	BOOKLET TYPE	13ZM00E6
	MICRO- FICHE	13ZM00EF/FF
PARTS CATALOGUE NEWS	GCV135 GCV135E GCV160 GCV160A GCV135A GCV160E	
NEWS NO.	032	

Block No.	Ref. No.	Note	Part No.	Description	Reqd. QTY						Serial No.	Parts catalogue code
					GCV 135	GCV 135 E	GCV 160	GCV 160 A	GCV 135 A	GCV 160 E		
E-12	6	L	19610-ZOM-000ZA	COVER COMP., FAN	-	1	-	-	-	-	----- 1688157	A1E, A1E7, A1E8, A2E, A2E7, A2E8, A2E9, A2G7, A2G9 N1E, N1S, N1W, N2E, N2E1, N2E3, N2E7, N2E8, N2E9
				*R8*..... BRIGHT RED	-	1	-	-	-	-	-----	A1G9, A2G4, A2R, N1U
	T	19610-ZOM-000ZC	*R280*..... POWER RED	-	1	-	-	-	-	1688158 -----	A1E, A1E7, A1E8, A2E, A2E7, A2E8, A2E9, A2G7, A2G9 N1E, N1S, N1W, N2E, N2E1, N2E3, N2E7, N2E8, N2E9	
E-27	2	L	19721-ZOM-000ZD	COVER, TOP	-	1	-	-	-	-	----- 1695817	A2G9
				*R8*..... BRIGHT RED	-	-	-	-	-	1	----- 1196409	A2G9, S2E1
	T	19721-ZOM-000ZE	*R280*..... POWER RED	-	1	-	-	-	1	-----	A1G9	
	-	-	-	-	-	-	-	1	1695818 -----	A2G9		
-	-	-	-	-	-	-	-	1	1196410 -----	A2G9, S2E1		

NOTE A:PART NO. CHANGE D:NEWLY PROVIDED E:PART NO. DELETION K:REQUIRED NO. CORRECTION L:APPLICATION SERIAL NO. CORRECTION  
T:APPLICATION CORRECTION Z:REMARKS CHANGE



# PARTS CATALOGUE NEWS

Honda Motor Co., Ltd. Service Division

## PARTS CATALOGUE - CORRECTED

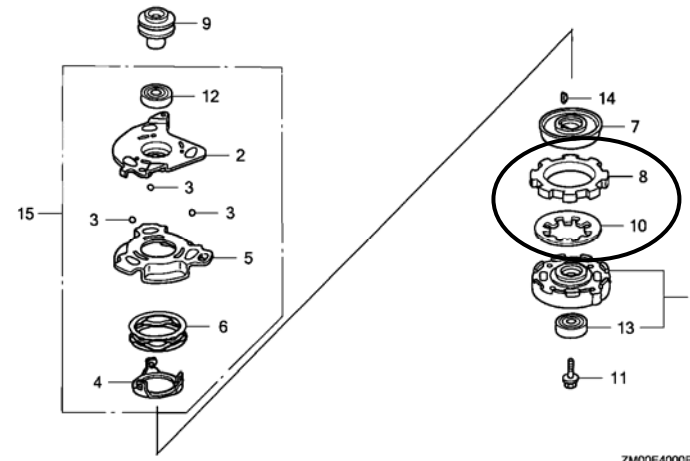
Printed in Japan

CODE NO.	BOOKLET TYPE	13ZM00E6
	MICRO-FICHE	13ZM00EF/FF
PARTS CATALOGUE NEWS	GCV135 GCV135E GCV160 GCV160A GCV135A GCV160E	
NEWS NO.	033	

Block No.	Ref. No.	Note	Part No.	Description	Reqd. QTY			Serial No.	Parts catalogue code
					GCV 135	GCV 135 E	GCV 160		

E-40 BLADE HOLDER

**ILLUSTRATION CORRECTED**



NOTE A:PART NO. CHANGE D:NEWLY PROVIDED E:PART NO. DELETION K:REQUIRED NO. CORRECTION L:APPLICATION SERIAL NO. CORRECTION  
 T:APPLICATION CORRECTION Z:REMARKS CHANGE



# PARTS CATALOGUE NEWS

Honda Motor Co., Ltd. Service Division

## PARTS CATALOGUE - CORRECTED

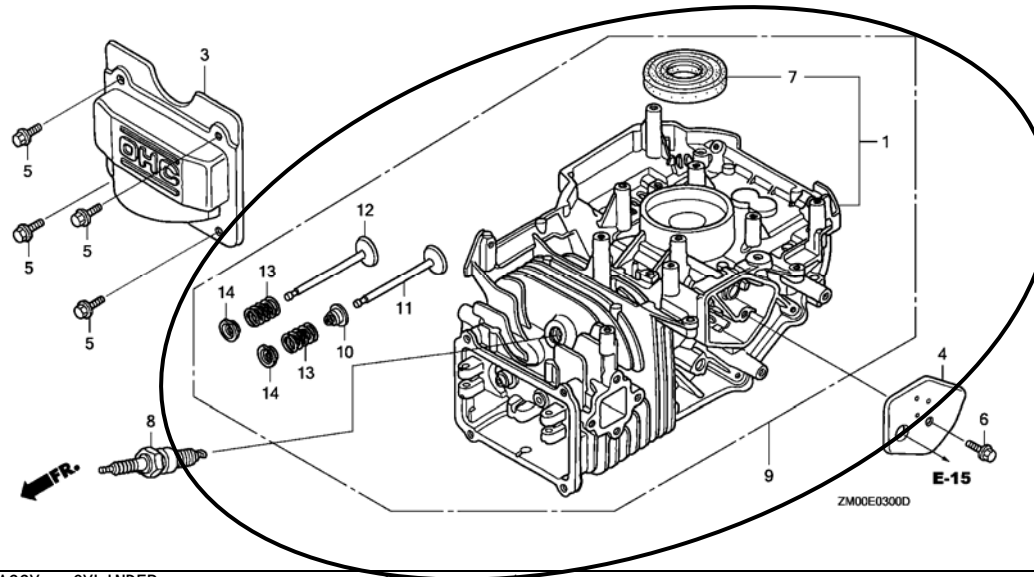
Printed in Japan

CODE NO.	BOOKLET TYPE	13ZM00E6
	MICRO-FICHE	13ZM00EF/FF
PARTS CATALOGUE NEWS	GCV135 GCV135E GCV160 GCV160A GCV135A GCV160E	
NEWS NO.	034	

Block No.	Ref. No.	Note	Part No.	Description	Reqd. QTY						Serial No.	Parts catalogue code
					GCV 135	GCV 135 E	GCV 160	GCV 160 A	GCV 135 A	GCV 160 E		

### E-3 CYLINDER BARREL

Service Item	F.R.T.
SEAL, VALVE STEM.....	1.2
VALVE, EX.....	1.3
(ADD 0.1 FOR EACH.)	
VALVE, IN.	
(ADD 0.1 FOR EACH.)	



E-3	9	D	12000-ZL8-425	BARREL ASSY., CYLINDER .....	-	-	-	-	-	-	-
-----	---	---	---------------	------------------------------	---	---	---	---	---	---	---

NOTE A:PART NO. CHANGE D:NEWLY PROVIDED E:PART NO.DELETION K:REQUIRED NO. CORRECTION L:APPLICATION SERIAL NO. CORRECTION  
T:APPLICATION CORRECTION Z:REMARKS CHANGE

PARTS CATALOGUE NEWS

BOOKNo. : 13ZM00E6

Block No.	Ref. No.	Note	Part No.	Description	Reqd. QTY						Serial No.	Parts catalogue code	
					GCV 135	GCV 135 E	GCV 160	GCV 160 A	GCV 135 A	GCV 160 E			
					-	-	-	1	-	-	-----	-----	A1A, A1AE, A1AF, A1AS, A1C, A1E, A1E7, A1E8, A1M A1W7, A2A, A2C, A2E7, A2E8, A2E9, A2G7, A2R, A3A A3E, A7E1, BHH, BHH1, NBL1, N1A, N1AF, N1C, N1E1 N1E7, N1L, N1R, N1U, N1W7, N1W8, N1W9, N2E7, N2E8 N2E9, N2U, N3U, N3V, N5A, N5AF, N5C, N5MF, N5R, N7A1 N7S1, STA1, STL1, S1A, S1A1, S3A, S3H2
		D	12000-ZL9-425	.....	1	1	-	-	1	-			
	10	D	12209-ZM0-003	SEAL, VALVE STEM .....	1	1	1	-	-	-	-----	-----	A1E7, A1E8, A1G7, A1G9, A1W7, A2E4, A2E7, A2E8 A2E9, A2G4, A2G7, A2G9, A7E1, N1E7, N1J1, N1R, N1S7 N1W7, N1W8, N1W9, N2E7, N2E8, N2E9, N2KA, N3U, N7A1 N7E1, N7E2, S2E, S2E1
					1	-	-	-	-	-	1623460	-----	A1A, A1C, A1E, A2A, A2C, A2E, A2G, A2R, N1D, N1E1 N1G, N1S, N1U, N1W, N1W1, N2E, N2E1, N2U
					-	1	-	-	-	-	-----	-----	A1E, A2E, A2R, N1E, N1S, N1U, N1W, N2E, N2E1, N2E3
					-	-	1	-	-	-	2296433	-----	A1A, A1C, A1E, A1P, A1W2, A2A, A2C, A2E, A2R, A3E, N1 N1D, N1E1, N1E2, N1U, N1W, N1W1, N1W2, N2, N2E, N2E1 N2E3, N2U, N3V
					-	-	-	1	1	1			
	11	D	14711-ZL8-000	VALVE, IN. ....	1	-	1	-	1	-			
					-	1	-	-	-	1	-----	-----	A2G, A3E9, A3W7, A3W8, N1G, N3T8, N3T9, N3W8, N3W9
		D	14711-Z0J-000	.....	-	1	-	-	-	1	-----	-----	A1E, A1E7, A1E8, A1G7, A1G9, A1P, A1W7, A2A9, A2E A2E7, A2E8, A2E9, A2G4, A2G7, A2G9, A2R, A3E7, A7E1 N1D, N1E, N1E1, N1E2, N1E7, N1J1, N1R, N1S, N1S7 N1T8, N1T9, N1U, N1W, N1W7, N1W8, N1W9, N2E, N2E1 N2E3, N2E7, N2E8, N2E9, N2KA, N7A1, N7E1, N7E2 S1E1, S2E, S2E1
					-	-	-	1	-	-			
	12	D	14721-ZL8-000	VALVE, EX. ....	1	1	1	1	1	1			
	13	D	14751-ZL8-000	SPRING, VALVE .....	2	2	2	2	2	2			
	14	D	14771-ZE1-000	RETAINER, IN. VALVE SPRING ...	2	2	2	-	2	2			

NOTE A:PART NO. CHANGE D:NEWLY PROVIDED E:PART NO.DELETION K:REQUIRED NO. CORRECTION L:APPLICATION SERIAL NO. CORRECTION  
T:APPLICATION CORRECTION Z:REMARKS CHANGE

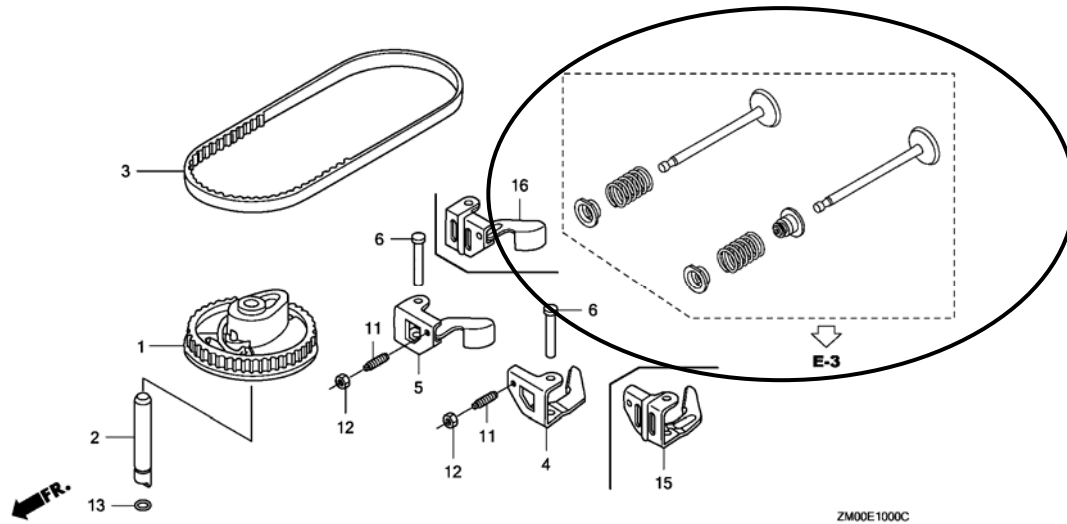


PARTS CATALOGUE NEWS

BOOKNo. : 13ZM00E6

Block No.	Ref. No.	Note	Part No.	Description	Reqd. QTY						Serial No.	Parts catalogue code
					GCV 135	GCV 135 E	GCV 160	GCV 160 A	GCV 135 A	GCV 160 E		
					-	-	-	2	-	-		A1A, A1AE, A1AF, A1AS, A1C, A1E7, A1E8, A1W7, A2A A2C, A2E7, A2E8, A2E9, A2G7, A2R, A3A, A7E1, BHH N1A, N1AF, N1C, N1E7, N1U, N1W7, N1W8, N1W9, N2E7 N2E8, N2E9, N2U, N3V, N5A, N5AF, N5C, N7A1, S1A S1A1, S3A
		D	14771-Z0J-000	RETAINER, VALVE SPRING .....	-	-	-	2	-	-		A1E, A1M, A3E, BHH1, EHHB, E1A2, E1A4, E1G7, E2G7 E5A4, NBL1, N1E1, N1L, N1R, N3U, N5MF, N5R, N7S1 RTL1, R1A, R3A, R3A1, STA1, STL1, S1M, S2G7, S3A2 S3H, S3H2

E-10 CAMSHAFT PULLEY



E-10	7	E	14711-ZL8-000	*PARTS NO. DELETION
		E	14711-Z0J-000	*PARTS NO. DELETION
	8	E	14721-ZL8-000	*PARTS NO. DELETION
	9	E	14751-ZL8-000	*PARTS NO. DELETION
	10	E	14771-ZE1-000	*PARTS NO. DELETION
		E	14771-Z0J-000	*PARTS NO. DELETION

NOTE A:PART NO. CHANGE D:NEWLY PROVIDED E:PART NO. DELETION K:REQUIRED NO. CORRECTION L:APPLICATION SERIAL NO. CORRECTION  
T:APPLICATION CORRECTION Z:REMARKS CHANGE

PARTS CATALOGUE NEWS

BOOKNo. : 13ZM00E6

Block No.	Ref. No.	Note	Part No.	Description	Reqd. QTY						Serial No.	Parts catalogue code
					GCV 135	GCV 135 E	GCV 160	GCV 160 A	GCV 135 A	GCV 160 E		
	14	E	12209-ZMO-003	*PARTS NO. DELETION								

NOTE A:PART NO. CHANGE D:NEWLY PROVIDED E:PART NO.DELETION K:REQUIRED NO. CORRECTION L:APPLICATION SERIAL NO. CORRECTION  
T:APPLICATION CORRECTION Z:REMARKS CHANGE



# PARTS CATALOGUE NEWS

Honda Motor Co., Ltd. Service Division

## PARTS CATALOGUE - CORRECTED

**PARTS NAME CORRECTED**

Printed in Japan

CODE NO.	BOOKLET TYPE	13ZM00E6
	MICRO-FICHE	13ZM00EF/FF
PARTS CATALOGUE NEWS	GCV135 GCV135E GCV160 GCV160A GCV135A GCV160E	
NEWS NO.	035	

Block No.	Ref. No.	Note	Part No.	Description	Reqd. QTY						Serial No.	Parts catalogue code
					GCV 135	GCV 135 E	GCV 160	GCV 160 A	GCV 135 A	GCV 160 E		
E-19	17	Z	31110-ZL9-003	FLYWHEEL COMP. (TEC) (USE FOR IGN. COIL OF TEC)	1	1	-	-	-	-	-----	A2R, N1E, N1E1, N2E, N2E1, N2E2, N2E3, N2E7, N2E8 N2E9, N2KA
					-	-	-	-	1	-		
		Z	31110-ZL8-004	FLYWHEEL COMP. (TEC) (USE FOR IGN. COIL OF TEC)	-	-	1	-	-	1	-----	A2R, N1E1, N1E2, N1E7, N2E, N2E1, N2E2, N2E3, N2E7 N2E8, N2E9
		Z	31110-Z0J-013	FLYWHEEL COMP. (PHELON) (USE FOR IGN. COIL OF PHELON)	-	-	-	1	-	-	-----	A2R, N1A, N1AF, N1C, N1E1, N1E7, N1L, N2E7, N2E8 N2E9, N5A, N5AF, N5C, N5MF, N5R
		Z	31110-Z0L-831	FLYWHEEL COMP. (PHELON) (USE FOR IGN. COIL OF PHELON)	-	-	-	1	-	-	-----	E1A4, E5A4
	22	Z	31105-Z0L-820	FLYWHEEL ASSY. (PHELON) (USE FOR IGN. COIL OF PHELON)	-	-	-	1	-	-	-----	3671989 RTL1
		Z	31105-Z0L-821	FLYWHEEL ASSY. (PHELON) (USE FOR IGN. COIL OF PHELON)	-	-	-	1	-	-	-----	E1A2, E1G7, E2G7, R1A, R3A, R3A1
					-	-	-	1	-	-	3671990	----- RTL1

NOTE A:PART NO. CHANGE D:NEWLY PROVIDED E:PART NO. DELETION K:REQUIRED NO. CORRECTION L:APPLICATION SERIAL NO. CORRECTION  
T:APPLICATION CORRECTION Z:REMARKS CHANGE

## PARTS CATALOGUE NEWS

BOOKNo. : 13ZM00E6

Block No.	Ref. No.	Note	Part No.	Description	Reqd. QTY						Serial No.	Parts catalogue code
					GCV 135	GCV 135 E	GCV 160	GCV 160 A	GCV 135 A	GCV 160 E		
		Z	31105-ZOL-830	FLYWHEEL ASSY. (PHELON) (USE FOR IGN. COIL OF PHELON)	-	-	-	1	-	-	-----	EHHB
		Z	31105-ZOL-831	FLYWHEEL ASSY. (PHELON) (USE FOR IGN. COIL OF PHELON)	-	-	-	1	-	-	-----	EHHB

NOTE A:PART NO. CHANGE D:NEWLY PROVIDED E:PART NO.DELETION K:REQUIRED NO. CORRECTION L:APPLICATION SERIAL NO. CORRECTION  
T:APPLICATION CORRECTION Z:REMARKS CHANGE



# PARTS CATALOGUE NEWS

Honda Motor Co., Ltd. Service Division

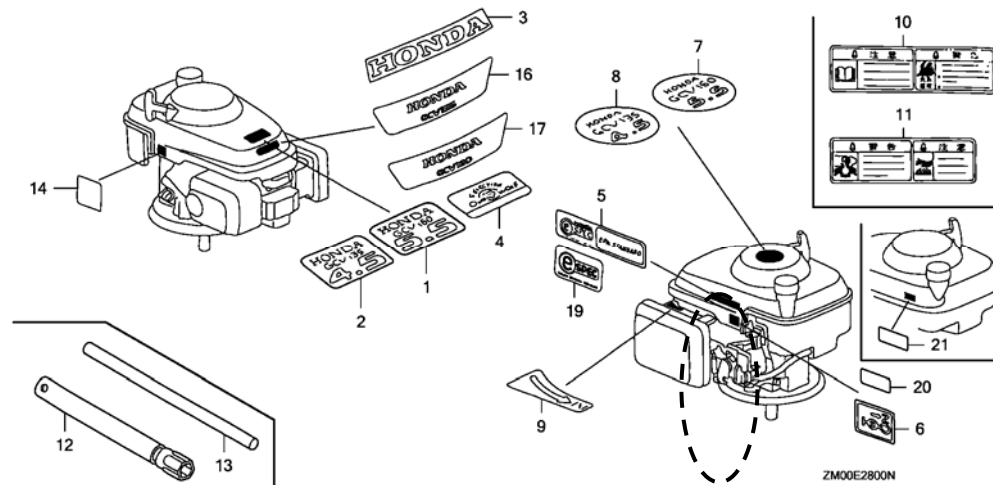
## PARTS CATALOGUE - CORRECTED

Printed in Japan

CODE NO.	BOOKLET TYPE	13ZM00E6
	MICRO-FICHE	13ZM00EF/FF
PARTS CATALOGUE NEWS	GCV135 GCV135E GCV160 GCV160A GCV135A GCV160E	
NEWS NO.	036	

Block No.	Ref. No.	Note	Part No.	Description	Reqd. QTY			Serial No.	Parts catalogue code
					GCV 135	GCV 135 E	GCV 160		

E-28 LABEL/TOOL



E-28 18 E 87637-ZM3-800 \*PARTS NO. DELETION

NOTE A:PART NO. CHANGE D:NEWLY PROVIDED E:PART NO.DELETION K:REQUIRED NO. CORRECTION L:APPLICATION SERIAL NO. CORRECTION  
T:APPLICATION CORRECTION Z:REMARKS CHANGE



# PARTS CATALOGUE NEWS

Honda Motor Co., Ltd. Service Division

## PARTS CATALOGUE - CORRECTED

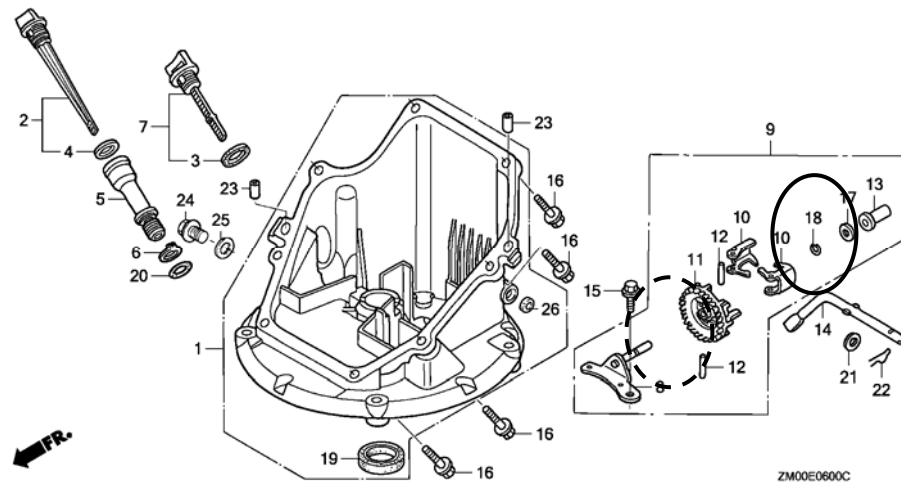
Printed in Japan

CODE NO.	BOOKLET TYPE	13ZM00E6
	MICRO-FICHE	13ZM00EF/FF
PARTS CATALOGUE NEWS	GCV135 GCV135E GCV160 GCV160A GCV135A GCV160E	
NEWS NO.	037	

Block No.	Ref. No.	Note	Part No.	Description	Reqd. QTY			Serial No.	Parts catalogue code
					GCV 135	GCV 135 E	GCV 160		

E-6 OIL PAN

**ILLUSTRATION CORRECTED**



NOTE A:PART NO. CHANGE D:NEWLY PROVIDED E:PART NO.DELETION K:REQUIRED NO. CORRECTION L:APPLICATION SERIAL NO. CORRECTION  
 T:APPLICATION CORRECTION Z:REMARKS CHANGE



# PARTS CATALOGUE NEWS

Honda Motor Co., Ltd. Service Division

## PARTS CATALOGUE - CORRECTED

Printed in Japan

CODE NO.	BOOKLET TYPE	13ZM00E6
	MICRO-FICHE	13ZM00EF/FF
PARTS CATALOGUE NEWS	GCV135 GCV135E GCV160 GCV160A GCV135A GCV160E	
NEWS NO.	038	

Block No.	Ref. No.	Note	Part No.	Description	Reqd. QTY						Serial No.	Parts catalogue code	
					GCV 135	GCV 135 E	GCV 160	GCV 160 A	GCV 135 A	GCV 160 E			
E-8	6	T	13010-ZL8-024	RING SET, PISTON (TEIKOKU) ...	1	1	1	1	-	1	-----	-----	A1A, A1AE, A1AF, A1AS, A1C, A1E, A1E7, A1E8, A1G7 A1G9, A1P, A1W2, A1W7, A2A, A2A9, A2C, A2E, A2E4 A2E7, A2E8, A2E9, A2G4, A2G7, A2G9, A2R, A3A, A3E7 A3W7, A3W8, A7E1, BHH, NBL1, N1, N1A, N1AF, N1C, N1D N1E1, N1E2, N1E7, N1J1, N1R, N1S, N1S7, N1T8, N1T9 N1U, N1W, N1W1, N1W2, N1W7, N1W8, N1W9, N2, N2E N2E1, N2E7, N2E8, N2E9, N2KA, N2U, N3T8, N3T9, N3U N3V, N3W8, N3W9, N5A, N5AF, N5C, N7A1, N7E1, N7E2 RTL1, STA1, STL1, S1A, S1A1, S1E1, S2E, S2E1, S3A
					1	-	-	-	-	-	-----	-----	A2G, N1G
					-	1	1	1	-	-	-----	-----	A3E, N1E, N2E3
					-	-	-	-	1	-			
		T	13010-ZOL-004	RING SET, PISTON (STD.) (TEIKOKU)	-	-	-	1	-	1	-----	-----	A1M, A3E9, BHH1, N1L, N5MF, N5R, N7S1, S1M, S2G7 S3A2, S3H, S3H2
					-	-	-	1	-	-	-----	-----	EHHB, E1A2, E1A4, E1G7, E2G7, E5A4, R1A, R3A, R3A1

NOTE A:PART NO. CHANGE D:NEWLY PROVIDED E:PART NO. DELETION K:REQUIRED NO. CORRECTION L:APPLICATION SERIAL NO. CORRECTION  
T:APPLICATION CORRECTION Z:REMARKS CHANGE



# PARTS CATALOGUE NEWS

Honda Motor Co., Ltd. Service Division

## PARTS CATALOGUE - CORRECTED

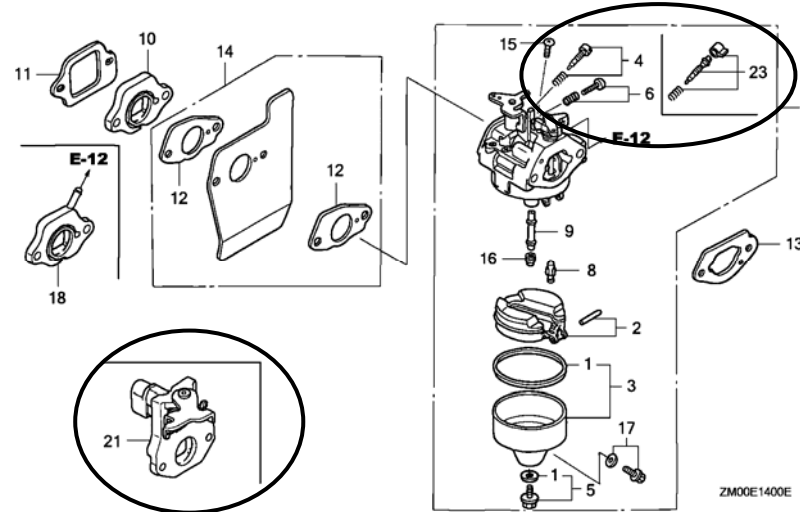
Printed in Japan

CODE NO.	BOOKLET TYPE	13ZM00E6
	MICRO-FICHE	13ZM00EF/FF
PARTS CATALOGUE NEWS	GCV135 GCV135E GCV160 GCV160A GCV135A GCV160E	
NEWS NO.	039	

Block No.	Ref. No.	Note	Part No.	Description	Reqd. QTY			Serial No.	Parts catalogue code
					GCV 135	GCV 135 E	GCV 160		

### E-14 CARBURETOR

Ref. No.	(Relative ref. Number) Description	FRT
4	(23) 3111D7 SCREW SET, PILOT .....	0.2



E-14      4      E      16016-ZG0-W00      \*PARTS NO. DELETION

NOTE A:PART NO. CHANGE D:NEWLY PROVIDED E:PART NO.DELETION K:REQUIRED NO. CORRECTION L:APPLICATION SERIAL NO. CORRECTION  
T:APPLICATION CORRECTION Z:REMARKS CHANGE



PARTS CATALOGUE NEWS

BOOKNo. : 13ZM00E6

Block No.	Ref. No.	Note	Part No.	Description	Reqd. QTY						Serial No.	Parts catalogue code	
					GCV 135	GCV 135 E	GCV 160	GCV 160 A	GCV 135 A	GCV 160 E			
	19	E	16210-ZOL-840	*PARTS NO. DELETION									
	20	E	16268-ZOL-840	*PARTS NO. DELETION									
	22	E	93891-04035-00	*PARTS NO. DELETION									
	23	D	16016-ZG0-W00	SCREW SET .....	1	1	1	1	-	1	-----		A1A, A1AE, A1AF, A1AS, A1E7, A1E8, A1G7, A1G9, A1M A1W2, A1W7, A2A, A2A9, A2E4, A2E7, A2E8, A2E9, A2G4 A2G7, A2G9, A2R, A3A, A3E7, A3E9, A3W7, A3W8, A7E1 BHH, BHH1, EHHB, E1A2, E1A4, E1G7, E2G7, E5A4, NBL1 N1A, N1AF, N1C, N1E7, N1J1, N1L, N1R, N1S, N1S7 N1T8, N1T9, N1W1, N1W2, N1W7, N1W8, N1W9, N2E7 N2E8, N2E9, N2KA, N3T8, N3T9, N3U, N3W8, N3W9, N5A N5AF, N5C, N7A1, N7E1, N7E2, N7S1
				(CARBURETOR NO.)	1	-	-	1	-	1	-----		A1C, A1P, A2C, N1E2, N3V
				(CARBURETOR NO.)	1	-	-	-	-	-	BB64B C	-----	A1D, A1E, A1E1, A1J, A1U, A2D, A2E, A2E1, A2G, A2U A3E, A4E, N1D, N1E, N1E1, N1G, N1U, N1W, N2D, N2E N2E1, N2E2, N2E3, N2U
				(CARBURETOR NO.)	-	1	-	1	-	1	-----	-----	A1E, A2E, A2G, A3E, N1D, N1E, N1E1, N1G, N1U, N1W N2E, N2E1, N2E3, N2U
				(CARBURETOR NO.)	-	-	1	-	-	-	BB62B D	-----	A1E, A1J, A1P, A1U, A2E, A2U, A3E, A4E, N1, N1D, N1E1 N1E2, N1U, N1W, N2, N2D, N2E, N2E1, N2E2, N2E3, N2U N3V
					-	-	-	-	1	-			

NOTE A:PART NO. CHANGE D:NEWLY PROVIDED E:PART NO. DELETION K:REQUIRED NO. CORRECTION L:APPLICATION SERIAL NO. CORRECTION  
T:APPLICATION CORRECTION Z:REMARKS CHANGE



# PARTS CATALOGUE NEWS

Honda Motor Co., Ltd. Service Division

## PARTS CATALOGUE - CORRECTED

Printed in Japan

CODE NO.	BOOKLET TYPE	13ZM00E6
	MICRO-FICHE	13ZM00EF/FF
PARTS CATALOGUE NEWS	GCV135 GCV135E GCV160 GCV160A GCV135A GCV160E	
NEWS NO.	040	

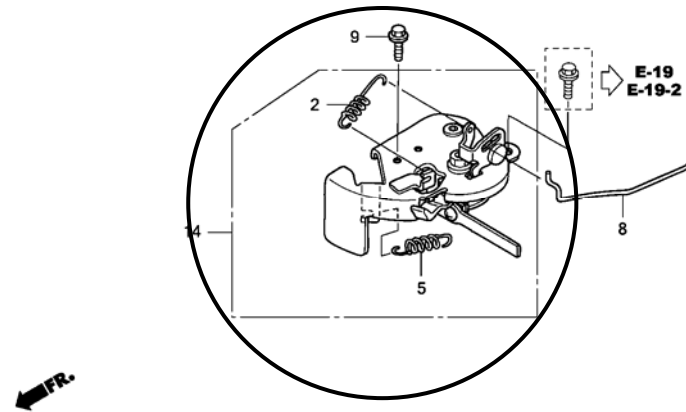
Block No.	Ref. No.	Note	Part No.	Description	Reqd. QTY						Serial No.	Parts catalogue code
					GCV 135	GCV 135 E	GCV 160	GCV 160 A	GCV 135 A	GCV 160 E		
E-3	1	T	12000-ZL9-415	BARREL ASSY., CYLINDER .....	1	-	-	-	-	-	-----	A1E7, A1E8, A2E7, A2E8, A2E9, A2G7, A7E1, N1S7 N1W7, N1W8, N2E7, N2E8, N2E9, N7E1, N7E2
		T	12000-ZL8-415	.....	-	-	1	-	-	-	-----	A1E7, A1E8, A1G7, A1W7, A2E7, A2E8, A2E9, A2G7 A7E1, N1E7, N1J1, N1R, N1W7, N1W8, N1W9, N2E7, N2E8 N2E9, N3U, N7A1
	9	T	12000-ZL8-425	BARREL ASSY., CYLINDER .....	-	-	-	1	-	-	-----	A1AE, A1AF, A1AS, A1C, A1E, A1E7, A1E8, A1M, A1W7 A2C, A2E7, A2E8, A2E9, A2G7, A3A, A3E, A7E1, BHH BHH1, NBL1, N1AF, N1C, N1E1, N1E7, N1L, N1R, N1U N1W7, N1W8, N1W9, N2E7, N2E8, N2E9, N2U, N3U, N3V N5AF, N5C, N5MF, N5R, N7A1, N7S1, STA1, STL1, S1A S1A1, S3A, S3H2
		T	12000-ZL9-425	.....	-	1	-	-	-	-	-----	A1E7, A1E8, A1G9, A2E7, A2E8, A2E9, A2G4, A2G7 A2G9, A2R, A7E1, N1S7, N1U, N1W7, N1W8, N2E7, N2E8 N2E9, N2KA, N2KE, N7E1, N7E2, S2E, S2E1

NOTE A:PART NO. CHANGE D:NEWLY PROVIDED E:PART NO.DELETION K:REQUIRED NO. CORRECTION L:APPLICATION SERIAL NO. CORRECTION  
T:APPLICATION CORRECTION Z:REMARKS CHANGE

PARTS CATALOGUE NEWS

BOOKNo. : 13ZM00E6

Block No.	Ref. No.	Note	Part No.	Description	Reqd. QTY						Serial No.	Parts catalogue code
					GCV 135 E	GCV 135 E	GCV 160	GCV 160 A	GCV 135 A	GCV 160 E		
E-22-3			CHOKE BASE									



ZM00E2203D

E-22-3	1	E	16251-ZOL-800	*PARTS NO. DELETION
	3	E	16612-ZOL-800	*PARTS NO. DELETION
	4	E	16613-ZOM-800	*PARTS NO. DELETION
		E	16613-ZOL-800	*PARTS NO. DELETION
	6	E	16616-ZOL-800	*PARTS NO. DELETION
	7	E	16619-ZOL-800	*PARTS NO. DELETION
	10	E	90102-SP1-003	*PARTS NO. DELETION
	11	E	90141-KT8-000	*PARTS NO. DELETION
	12	E	93500-04008-OH	*PARTS NO. DELETION
	13	E	94050-05000	*PARTS NO. DELETION

NOTE A:PART NO. CHANGE D:NEWLY PROVIDED E:PART NO. DELETION K:REQUIRED NO. CORRECTION L:APPLICATION SERIAL NO. CORRECTION  
T:APPLICATION CORRECTION Z:REMARKS CHANGE



# PARTS CATALOGUE NEWS

Honda Motor Co., Ltd. Service Division

CODE NO.	BOOKLET TYPE	13ZM00E6
	MICRO- FICHE	13ZM00EF/FF
PARTS CATALOGUE NEWS	GCV135 GCV135E GCV160 GCV160A GCV135A GCV160E	
NEWS NO.	041	

Printed in Japan

## GCV135E-N2KE,GCV160A-C1E,C1E1,C2E AND C2E1 TYPES sales parts information

NOTE: This Parts Catalogue News explains only the parts of the different model that are produced to conform to addition of the GCV135E-N2KE,GCV160A-C1E,C1E1,C2E and C2E1 types.  
As for the parts not listed on this Parts Catalogue News, use the parts of the GCV135E-N2KA and GCV160A-E1A2 types.

### •Models, parts catalogue codes and applicable serial numbers

Model	Type		Parts catalogue type	Applicable engine serial No.	Applicable carburetor identification No.
GCV135E	N2KA	Base type	N2KA	GJAFE-1000001~	BB64F A / B
	N2KE	Additional type	N2KE		BB64F B
GCV160A	E1A2	Base type	E1A2	GJAEA-8000001~	BB62B D / E
	C1E	Additional type	C1E	GJAEA-1000001~	BB62B E
	C1E1		C1E1		
	C2E		C2E		
	C2E1		C2E1		

•Features of each type		Base type	Additional type	Base type	Additional type			
		GCV135E		GCV160A				
Specifications	Model	N2KA	N2KE	E1A2	C1E	C1E1	C2E	C2E1
	Type							
Crankshaft	20Øx133.8mm							
	22.2Øx100.4mm							
	22.2Øx117.4mm	●	●				●	●
	22.2Øx135.7mm			●	●	●		
	25Øx117.4mm							
	25Øx135.7mm							
Recoil starter						●		●
Recoil starter (Long rope)		●	●	●	●		●	
Flywheel brake				●	●	●	●	●

PARTS CATALOGUE NEWS

BOOKNo. : 13ZM00E6

Block No.	Ref. No.	Part No.	Description	Reqd. QTY						Base Part No.	Parts catalogue code
				GCV 135	GCV 135 E	GCV 160	GCV 160 A	GCV 135 A	GCV 160 E		
E-3	11	14711-ZL8-000	VALVE, IN. ....	-	1	-	-	-	-	14711-Z0J-000	
E-7	1		CRANKSHAFT COMP. ....	-	-	-	0	-	-	13310-ZM0-000	C2E, C2E1
	2	13310-ZM0-600	CRANKSHAFT COMP. ....	-	-	-	1	-	-		C2E, C2E1
E-8	1	13101-Z2A-010	PISTON .....	-	1	-	-	-	-	13101-ZL8-000	
		13101-Z2A-010	.....	-	-	-	1	-	-	13101-Z2A-000	
	3	13200-Z0J-000	ROD ASSY., CONNECTING .....	-	-	-	1	-	-	13200-ZL8-000	
	6		RING SET, PISTON (TEIKOKU) ...	-	0	-	-	-	-	13010-ZL8-024	
		13010-Z0L-014	RING SET, PISTON (STD.) (TEIKOKU)	-	1	-	-	-	-	13010-ZL8-003	
		13010-Z0L-014	.....	-	-	-	1	-	-	13010-Z0L-004	
E-11	1		STARTER ASSY., RECOIL (LONG ROPE)							28400-ZM0-633ZA	
			*NH1*..... BLACK	-	-	-	0	-	-		C1E1, C2E1
			*R280*..... POWER RED	-	-	-	0	-	-	28400-ZM0-633ZD	C1E1, C2E1
		28400-ZM0-633ZC	*YR288*..... WOLF ORANGE	-	-	-	1	-	-		C1E, C2E
	9	28462-ZL8-003	ROPE, RECOIL STARTER .....	-	-	-	1	-	-	28462-ZL8-631	C1E1, C2E1
	14	28400-Z0M-801	STARTER ASSY., RECOIL .....	-	-	-	1	-	-		C1E1, C2E1
	15	66871-KY2-700	NUT, UPPER COWL .....	-	-	-	3	-	-		C1E1, C2E1

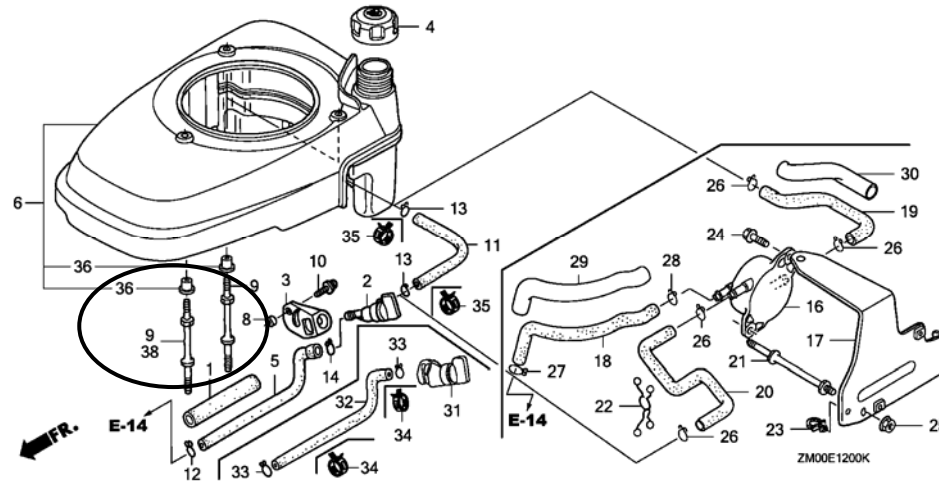
PARTS CATALOGUE NEWS

BOOKNo. : 13ZMO0E6

Block No.	Ref. No.	Part No.	Description	Reqd. QTY						Base Part No.	Parts catalogue code
				GCV 135 E	GCV 135 E	GCV 160 A	GCV 160 A	GCV 135 A	GCV 160 E		

E-12 FAN COVER

Ref. No.	(Relative ref. Number)	Description	FRT
6	1141G8	COVER, ENGINE COOLING FAN . . . .	0.2



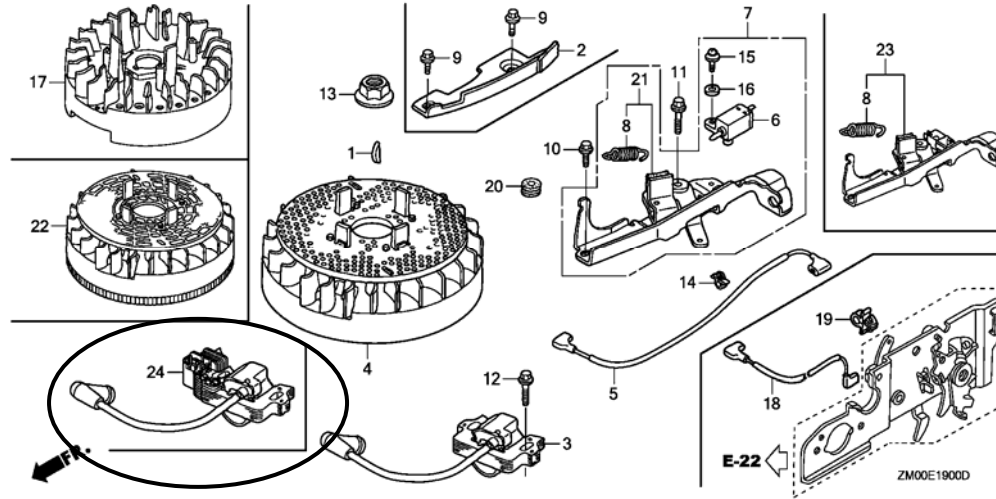
E-12	6	COVER COMP., FAN *R280* . . . . . POWER RED	- - - 0 - -	19610-ZOL-820ZB	C1E1, C2E1
		19610-ZOL-820ZC *T89* . . . . . CRAFTSMAN RED	- - - 1 - -		C1E, C2E
		19610-ZOL-820ZD *T90* . . . . . EHP ORANGE	- - - 1 - -		C1E, C2E
		19610-ZOL-820ZE *Y166R* . . . . . WOLF YELLOW	- - - 1 - -		C1E, C2E
	9	90043-ZL8-000 BOLT, STUD (H=42.5MM) . . . . .	- - - 2 - -	90043-ZL8-000	
	38	90043-ZOL-820 BOLT, STUD (H=37.5MM) . . . . .	- - - 1 - -		
E-16	9	ARRESTER COMP., SPARK . . . . .	- - - (0) - -	18350-ZL8-000	
	10	PLATE, ARRESTER NUMBER . . . . .	- - - (0) - -	18356-ZL8-000	
	11	SCREW, TAPPING, 4X6 . . . . .	- - - (0) - -	90055-ZE1-000	
	12	ARRESTER KIT, SPARK . . . . .	- - - (0) - -	06180-Z0J-000	

BOOKNo. : 13ZM00E6

Block No.	Ref. No.	Part No.	Description	Reqd. QTY						Base Part No.	Parts catalogue code
				GCV 135 E	GCV 135 E	GCV 160 A	GCV 160 A	GCV 135 A	GCV 160 E		

**E-19 FLYWHEEL (1)**

Ref. No.	(Relative ref. Number)	Description	FRT
3	(24)	COIL, IGNITION (ONE) .....	0.2
6141A5			



E-19	3	COIL ASSY., IGNITION (PHELON) (USE FOR F/W OF PHELON)	-	-	-	0	-	-	30500-Z0J-003
	24	30500-Z0L-821 COIL ASSY., IGNITION .....	-	-	-	1	-	-	

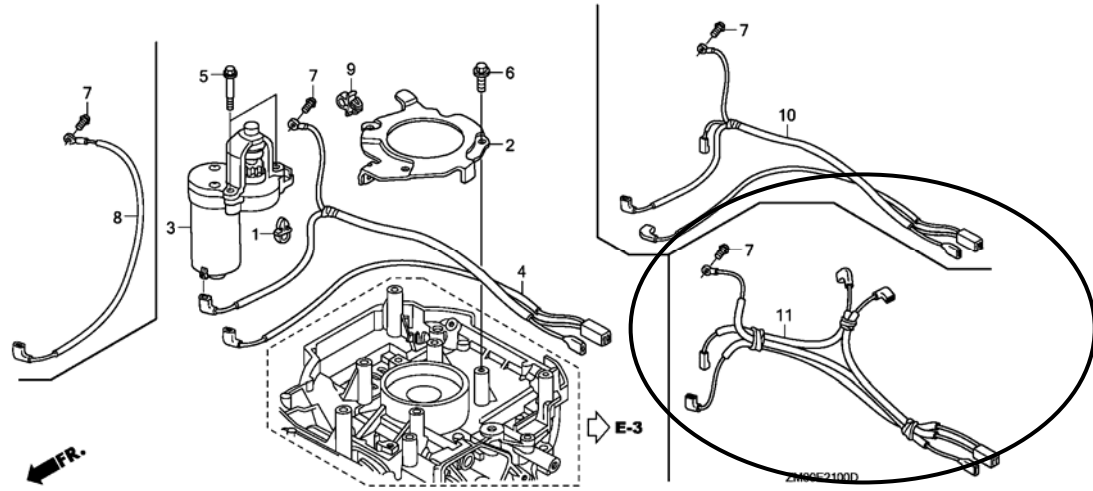


BOOKNo. : 13ZM00E6

Block No.	Ref. No.	Part No.	Description	Reqd. QTY						Base Part No.	Parts catalogue code
				GCV 135 E	GCV 135 E	GCV 160 A	GCV 160 A	GCV 135 A	GCV 160 E		

**E-21 STARTER MOTOR**

Ref. No.	(Relative ref. Number)	Description	FRT
4	(11)	CORD, TERMINAL EARTH .....	0.3
6121D4			



E-21	4		CORD, TERMINAL EARTH .....	-	-	-	0	-	-	32222-ZOL-820
	9		HOLDER, WIRE (FASTEX) .....	-	-	-	0	-	-	51125-ZOL-003
			CLIP A, CABLE (NIFCO) .....	-	-	-	0	-	-	90681-959-003
		22534-ZOL-820	HOLDER, WIRE .....	-	-	-	1	-	-	
	11	32223-ZOL-820	CORD, COMBINATION .....	-	-	-	1	-	-	
E-22	1	16551-ZM0-010	ARM, GOVERNOR .....	-	-	-	1	-	-	
	2	16555-ZOL-800	ROD, GOVERNOR .....	-	-	-	1	-	-	
	3	16561-ZM0-870	SPRING, GOVERNOR .....	-	-	-	1	-	-	
	4	16562-ZM0-000	SPRING, THROTTLE RETURN .....	-	-	-	1	-	-	
	5	16576-ZE7-300	SPRING, LEVER .....	-	-	-	1	-	-	
	7	16580-ZM0-871	BASE COMP., CONTROL .....	-	-	-	1	-	-	
		16580-ZM0-882	.....	-	1	-	-	-	-	16580-ZM0-881

PARTS CATALOGUE NEWS

BOOKNo. : 13ZM00E6

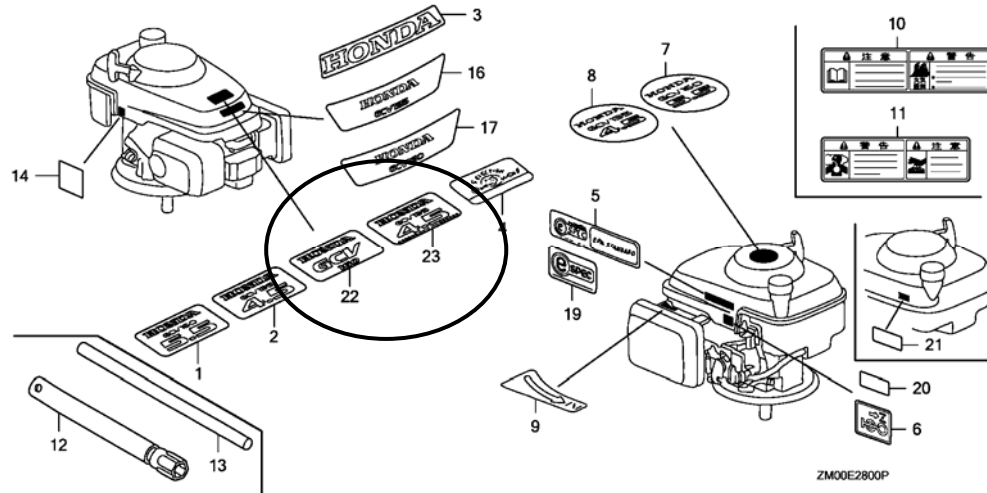
Block No.	Ref. No.	Part No.	Description	Reqd. QTY						Base Part No.	Parts catalogue code
				GCV 135	GCV 135 E	GCV 160	GCV 160 A	GCV 135 A	GCV 160 E		
	9	16674-ZM0-000	ROD, CHOKE .....	-	-	-	1	-	-		
	10	90015-ZE5-010	BOLT, GOVERNOR ARM .....	-	-	-	1	-	-		
	11	90016-ZM0-000	BOLT, FLANGE, 6X45 (CT200) ....	-	-	-	1	-	-		
	12	93500-05016-0A	SCREW, PAN, 5X16 .....	-	-	-	1	-	-		
	13	94050-06000	NUT, FLANGE, 6MM .....	-	-	-	1	-	-		
	17	16584-883-300	SPRING, CONTROL ADJUSTING ....	-	-	-	1	-	-		
	18	16599-ZG1-M10	COLLAR, STOPPER .....	-	-	-	1	-	-		
	19	90016-ZE7-W00	SCREW, RECESSED, 5X28 .....	-	-	-	1	-	-		
	24	16617-VG3-000	HOLDER, CABLE .....	-	-	-	1	-	-		
E-22-2	1		ARM, GOVERNOR .....	-	-	-	0	-	-	16551-ZM0-010	
	2		ROD, GOVERNOR .....	-	-	-	0	-	-	16555-ZOL-800	
	3		SPRING, GOVERNOR .....	-	-	-	0	-	-	16561-ZM0-000	
	5		SPACER, CONTROL LEVER .....	-	-	-	0	-	-	16578-ZOL-810	
	6		BASE COMP., CONTROL .....	-	-	-	0	-	-	16580-ZOL-810	
	7		LEVER, CHOKE .....	-	-	-	0	-	-	16612-ZOL-810	
	8		GROMMET, CHOKE ROD .....	-	-	-	0	-	-	16613-893-000	
	10		ROD, CHOKE .....	-	-	-	0	-	-	16674-ZOL-810	
	12		BOLT, GOVERNOR ARM .....	-	-	-	0	-	-	90015-ZE5-010	
	13		BOLT, FLANGE, 6X45 (CT200) ....	-	-	-	0	-	-	90016-ZE8-000	
	14		CLIP A, CABLE (NIFCO) .....	-	-	-	0	-	-	90681-959-003	
	15		NUT, FLANGE, 6MM .....	-	-	-	0	-	-	94050-06000	
	16		CIRCLIP, EXTERNAL, 14MM .....	-	-	-	0	-	-	94511-14000	
E-27	1	16613-883-610	GROMMET, CHOKE ROD .....	-	-	-	2	-	-	C1E1, C2E1	
	2	19721-ZOL-000ZA	COVER, TOP *NH1*..... BLACK	-	-	-	1	-	-	C1E1, C2E1	

PARTS CATALOGUE NEWS

BOOKNo. : 13ZM00E6

Block No.	Ref. No.	Part No.	Description	Reqd. QTY						Base Part No.	Parts catalogue code
				GCV 135	GCV 135 E	GCV 160	GCV 160 A	GCV 135 A	GCV 160 E		
		19721-ZOL-000ZB	*NH246*..... LOOSEY GRAY	-	-	-	1	-	-	C1E1, C2E1	
		19721-ZOL-000ZC	*R280R*..... POWER RED	-	-	-	1	-	-	C1E1, C2E1	
	3	90137-SH3-000	SCREW, TAPPING, 4X16 .....	-	-	-	3	-	-	C1E1, C2E1	

E-28 LABEL/TOOL



E-28	1		MARK, EMBLEM (GCV160 5.5) ....	-	-	-	0	-	-	87101-ZM0-010
	2		MARK, EMBLEM (GCV135 4.5) ....	-	0	-	-	-	-	87101-ZM1-010
	20	87114-ZH7-840	LABEL, WARNING (NOT CERTIFIED FOR SALE)	-	1	-	-	-	-	
	21	87114-ZH7-840	LABEL, WARNING (NOT CERTIFIED FOR SALE)	-	-	-	1	-	-	
	22	87101-ZM0-020	MARK, EMBLEM (GCV160 5.5) ....	-	-	-	1	-	-	
	23	87101-ZM1-800	MARK, EMBLEM (GCV135 4.5) ....	-	1	-	-	-	-	



# PARTS CATALOGUE NEWS

Honda Motor Co., Ltd. Service Division

## PARTS CATALOGUE - CORRECTED

Printed in Japan

CODE NO.	BOOKLET TYPE	13ZM00E6
	MICRO-FICHE	13ZM00EF/FF
PARTS CATALOGUE NEWS	GCV135 GCV135E GCV160 GCV160A GCV135A GCV160E	
NEWS NO.	042	

Block No.	Ref. No.	Note	Part No.	Description	Reqd. QTY						Serial No.		Parts catalogue code		
					GCV 135	GCV 135 E	GCV 160	GCV 160 A	GCV 135 A	GCV 160 E					
E-28	1	T	87101-ZMO-000	MARK, EMBLEM (GCV160 5.5) . . . .	-	-	1	1	-	-	-	-	-	-	A1E8, A1G7, A1J, A2A, A2E8, A2E9, A2G7, N1C, N1E7 N1W7, N2E7, N2E8, N2E9, N5C, S1A1
					-	-	1	-	-	-	-	-	-	-	A1A, A1E7, A2E7, A2R, N1R
					-	-	1	-	-	-	-	-	1212768	-	N2U
					-	-	1	-	-	-	-	-	2414991	2425659	N1W9
					-	-	-	1	-	-	-	-	-	-	A1C, A2C
					-	-	1	1	-	-	-	-	-	-	N1U
					-	-	1	-	-	-	1	-	-	-	A1C, A2C, N1J1
					-	-	1	-	-	-	-	-	2425660	-	N1W9
E-28	1	T	87101-ZMO-010	. . . . .	-	-	-	1	-	1	-	-	-	A1A, A1AF, A1AS, A1E, A1E7, A1G7, A1G9, A1M, A2A9 A2E7, A2G9, A2R, A3E, A3E7, A3W8, E1A2, E1A4, E1G7 E2G7, E5A4, N1A, N1AF, N1D, N1E1, N1E2, N1L, N1R N1T8, N1T9, N1W9, N3T8, N3T9, N5A, N5AF, N5MF, R1A R3A1, S1A, S1E1, S2E, S2E1, S2G7, S3A2	
					-	-	-	-	-	1	-	-	-	-	A1E8, A2E8, A2E9, A2G7, N1E7, N1W7, N2E7, N2E8, N2E9

NOTE A:PART NO. CHANGE D:NEWLY PROVIDED E:PART NO.DELETION K:REQUIRED NO. CORRECTION L:APPLICATION SERIAL NO. CORRECTION  
T:APPLICATION CORRECTION Z:REMARKS CHANGE



# PARTS CATALOGUE NEWS

Honda Motor Co., Ltd. Service Division

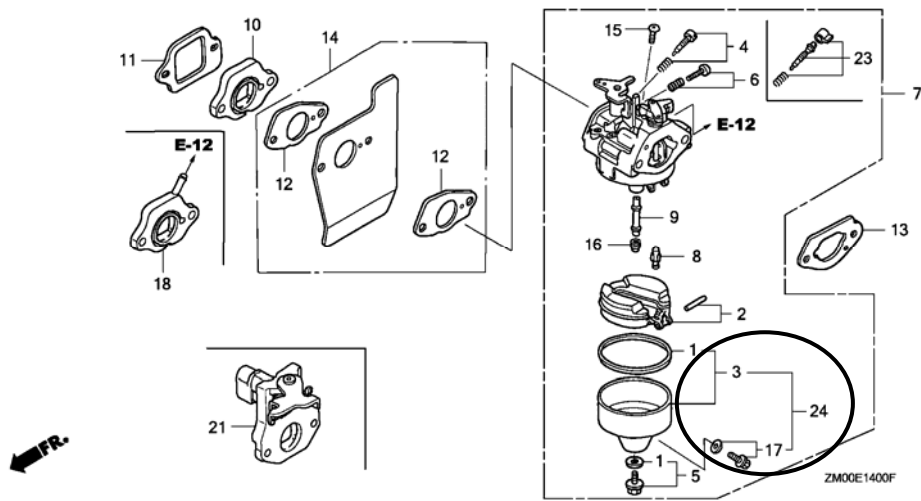
## PARTS CATALOGUE - CORRECTED

Printed in Japan

CODE NO.	BOOKLET TYPE	13ZM00E6
	MICRO-FICHE	13ZM00EF/FF
PARTS CATALOGUE NEWS	GCV135 GCV135E GCV160 GCV160A GCV135A GCV160E	
NEWS NO.	043	

Block No.	Ref. No.	Note	Part No.	Description	Reqd. QTY			Serial No.	Parts catalogue code
					GCV 135 E	GCV 135 A	GCV 160 A		

E-14 CARBURETOR



E-14 3 E 16015-887-782 \*PARTS NO. DELETION

NOTE A:PART NO. CHANGE D:NEWLY PROVIDED E:PART NO.DELETION K:REQUIRED NO. CORRECTION L:APPLICATION SERIAL NO. CORRECTION T:APPLICATION CORRECTION Z:REMARKS CHANGE

PARTS CATALOGUE NEWS

BOOKNo. : 13ZM00E6

Block No.	Ref. No.	Note	Part No.	Description	Reqd. QTY						Serial No.	Parts catalogue code	
					GCV 135	GCV 135 E	GCV 160	GCV 160 A	GCV 135 A	GCV 160 E			
	24	D	16015-887-782	CHAMBER SET, FLOAT .....	1	-	1	-	-	1	-----	A1E7, A1E8, A1G7, A1G9, A1W2, A1W7, A2A9, A2E4 A2E7, A2E8, A2E9, A2G4, A2G7, A2G9, A2R, A3E7, A3E9 A3W7, A3W8, A7E1, N1E7, N1J1, N1R, N1S, N1S7, N1T8 N1T9, N1W1, N1W2, N1W7, N1W8, N1W9, N2E7, N2E8 N2E9, N3T8, N3T9, N3U, N3W8, N3W9, N7A1, N7E1, N7E2 S1E1, S2E, S2E1	
				(CARBURETOR NO.)	1	-	-	-	-	-	BB64A C	-----	A1D, A1E, A1E1, A1J, A1U, A2D, A2E, A2E1, A2G, A2U A3E, A4E, N1D, N1E, N1E1, N1G, N1U, N1W, N2D, N2E N2E1, N2E2, N2E3, N2U
				(CARBURETOR NO.)	1	-	-	-	-	-	BB64B C	-----	A1A, A1C, A2A, A2C
					-	1	-	1	1	-			
				(CARBURETOR NO.)	-	-	1	-	-	-	BB62A D	-----	A1E, A1J, A1P, A1U, A2E, A2U, A3E, A4E, N1, N1D, N1E1 N1E2, N1U, N1W, N2, N2D, N2E, N2E1, N2E2, N2E3, N2U N3V
				(CARBURETOR NO.)	-	-	1	-	-	-	BB62B D	-----	A1A, A1C, A2A, A2C
					-	-	-	-	-	1	-----	-----	A1P, N1D, N1E1, N1E2
E-15	6	T	17231-ZOL-000	COVER, AIR CLEANER .....	-	1	-	-	-	-	-----	-----	A2G, N1G
		T	17231-ZOL-030	.....	-	1	-	-	-	1	-----	-----	A1E, A1E7, A1E8, A1G7, A1G9, A1P, A1W7, A2A9, A2E A2E7, A2E8, A2E9, A2G4, A2G7, A2G9, A2R, A3E7, A3E9 A3W7, A3W8, A7E1, N1D, N1E, N1E1, N1E2, N1E7, N1J1 N1R, N1S, N1S7, N1T8, N1T9, N1U, N1W, N1W7, N1W8 N1W9, N2E, N2E1, N2E3, N2E7, N2E8, N2E9, N2KA, N2KE N3T8, N3T9, N3W8, N3W9, N7A1, N7E1, N7E2, S1E1, S2E S2E1
					-	-	-	1	1	-			

NOTE A:PART NO. CHANGE D:NEWLY PROVIDED E:PART NO.DELETION K:REQUIRED NO. CORRECTION L:APPLICATION SERIAL NO. CORRECTION  
T:APPLICATION CORRECTION Z:REMARKS CHANGE



## PARTS CATALOGUE NEWS

Honda Motor Co., Ltd. Service Division

Printed in Japan

CODE NO.	BOOKLET TYPE	13ZM00E6
	MICRO- FICHE	13ZM00EF/FF
PARTS CATALOGUE NEWS		GCV135 GCV135E GCV160 GCV160A GCV135A GCV160E
NEWS NO.		044

### GCV160E-A3T9 AND S2E3 TYPES sales parts information

NOTE: This Parts Catalogue News explains only the parts of the different model that are produced to conform to addition of the GCV160E-A3T9 and S2E3 types.

As for the parts not listed on this Parts Catalogue News, use the parts of the GCV160E-N3T9 and S2E1 types.

#### •Models, parts catalogue codes and applicable serial numbers

Model	Type		Parts catalogue type	Applicable engine serial No.	Applicable carburetor identification No.
GCV160E	N3T9	Base model	N3T9	GJAAE-1000001~	BB62B E
	A3T9	Additional model	A3T9		BB62G A
	S2E1	Base model	S2E1		BB65K A
	S2E3	Additional model	S2E3		

•Features of each type		Base type	Additional type	Base type	Additional type
Specifications	Model	GCV160E			
	Type	N3T9	A3T9	S2E1	S2E3
Crankshaft	20Øx133.8mm				
	22.2Øx100.4mm				
	22.2Øx117.4mm			●	●
	22.2Øx135.7mm				
	25Øx117.4mm				
	25Øx135.7mm	●	●		
Recoil starter				●	●
Recoil starter (Long rope)		●	●		
Flywheel brake			●		●

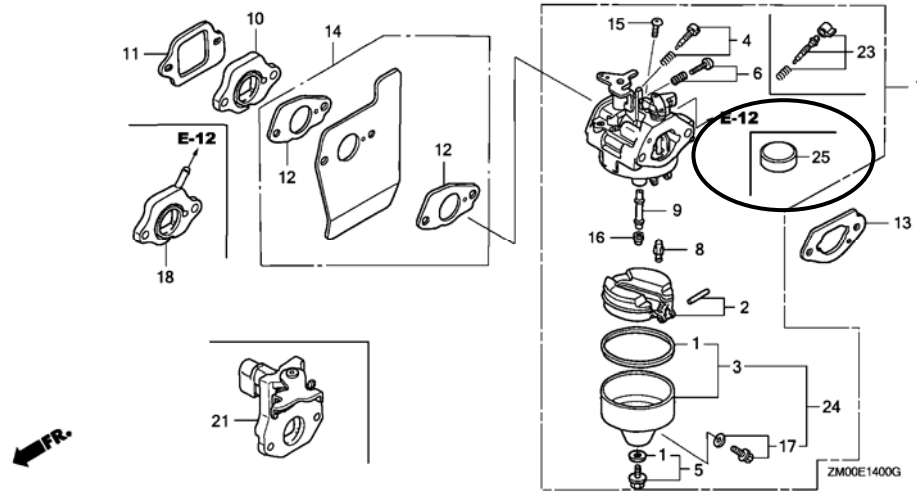


PARTS CATALOGUE NEWS

BOOKNo. : 13ZM00E6

Block No.	Ref. No.	Part No.	Description	Reqd. QTY						Base Part No.	Parts catalogue code
				GCV 135	GCV 135 E	GCV 160	GCV 160 A	GCV 135 A	GCV 160 E		
E-3	1	12000-Z0L-406	BARREL ASSY., CYLINDER .....	-	-	-	-	-	1	S2E3	
	9		BARREL ASSY., CYLINDER .....	-	-	-	-	-	0	12000-ZL8-425	S2E3
	11	14711-ZL8-000	VALVE, IN. ....	-	-	-	-	-	1	14711-Z0J-000	S2E3
E-8	1	13101-Z2A-010	PISTON .....	-	-	-	-	-	1	13101-ZL8-000	
	6		RING SET, PISTON (TEIKOKU) ...	-	-	-	-	-	0	13010-ZL8-024	A3T9
		13010-Z0L-003	RING SET, PISTON (RIKEN) .....	-	-	-	-	-	1	13010-ZL8-003	S2E3
		13010-Z0L-014	RING SET, PISTON (STD.) (TEIKOKU)	-	-	-	-	-	1	13010-ZL8-003	A3T9
		13010-Z0L-014	.....	-	-	-	-	-	1	13010-ZL8-024	S2E3
E-12	6	19610-Z1L-000ZA	COVER COMP., FAN *NH1*..... BLACK	-	-	-	-	-	1	19610-Z1L-800ZA	S2E3
		19610-Z1L-000ZB	*R280*..... POWER RED	-	-	-	-	-	1	19610-Z1L-800ZB	S2E3

E-14 CARBURETOR



E-14	6	16029-ZG0-901	SCREW SET (THROTTLE STOP) ....	-	-	-	-	-	1	S2E3
------	---	---------------	--------------------------------	---	---	---	---	---	---	------

## PARTS CATALOGUE NEWS

BOOKNo. : 13ZM00E6

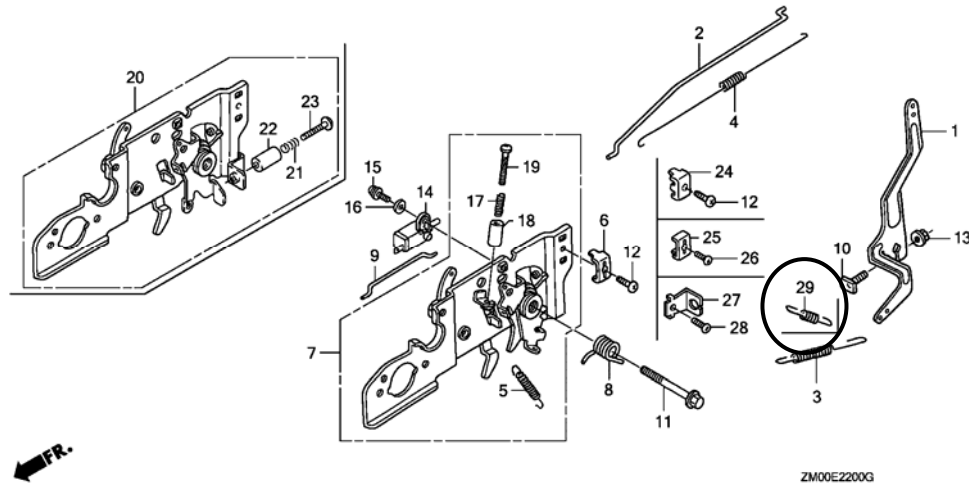
Block No.	Ref. No.	Part No.	Description	Reqd. QTY						Base Part No.	Parts catalogue code
				GCV 135	GCV 135 E	GCV 160	GCV 160 A	GCV 135 A	GCV 160 E		
	7	16100-Z1L-851	CARBURETOR ASSY. (BB65K A) ...	-	-	-	-	-	1	16100-Z0L-801	S2E3
	9	16166-Z1L-851	NOZZLE, MAIN .....	-	-	-	-	-	1	16166-ZM0-003	S2E3
	10		INSULATOR, CARBURETOR .....	-	-	-	-	-	0	16211-ZL8-000	S2E3
	21	16600-Z0L-840	CONTROL ASSY., CHOKE .....	-	-	-	-	-	1		S2E3
	23	16016-ZG0-W00	SCREW SET .....	-	-	-	-	-	1		S2E3
	25	16148-Z1L-851	CAP, CHOKE DUST .....	-	-	-	-	-	1		S2E3
E-19	2		PLATE, SIDE .....	-	-	-	-	-	0	19612-ZM0-J20	A3T9
	4	31105-ZM0-000	FLYWHEEL ASSY. (TEC) (USE FOR IGN. COIL OF TEC)	-	-	-	-	-	1	31105-ZL8-000	A3T9
	5	32195-ZM0-000	CORD, STOP SWITCH .....	-	-	-	-	-	1		A3T9
		32195-ZM0-000	.....	-	-	-	-	-	1	32195-ZM0-800	S2E3
	6	35120-ZM0-003	SWITCH ASSY., ENGINE STOP (N. C)	-	-	-	-	-	1		A3T9
	7	75100-ZM0-000	BRAKE ASSY. ....	-	-	-	-	-	1		
	8	75113-ZM0-000	SPRING, BRAKE LEVER .....	-	-	-	-	-	1		A3T9
	9		BOLT, FLANGE, 6X12 (CT200) ....	-	-	-	-	-	0	90013-883-000	A3T9
	10	90014-952-000	BOLT, FLANGE, 6X14 (CT200) ....	-	-	-	-	-	1		A3T9
	11	90018-ZE1-000	BOLT, FLANGE, 6X23 (CT200) ....	-	-	-	-	-	1		A3T9
	14	90681-959-003	CLIP A, CABLE (NIFCO) .....	-	-	-	-	-	1		A3T9
	15	93892-04012-00	SCREW-WASHER, 4X12 .....	-	-	-	-	-	1		A3T9
	16	94103-04000	WASHER, PLAIN, 4MM .....	-	-	-	-	-	1		A3T9
	18		CORD, STOP SWITCH .....	-	-	-	-	-	0	32195-ZM0-800	A3T9
	19		CLIP A, CABLE (NIFCO) .....	-	-	-	-	-	0	90681-959-003	A3T9
	20		GROMMET A, RR. COVER (8X16X6.6)	-	-	-	-	-	0	11344-MB0-000	S2E3
	21		BRAKE SUB ASSY. ....	-	-	-	-	-	0	75110-Z0L-800	S2E3

PARTS CATALOGUE NEWS

BOOKNo. : 13ZM00E6

Block No.	Ref. No.	Part No.	Description	Reqd. QTY						Base Part No.	Parts catalogue code
				GCV 135 E	GCV 135 E	GCV 160	GCV 160 A	GCV 135 A	GCV 160 E		

E-22 CONTROL (1)



E-22	2	16555-ZM0-000	ROD, GOVERNOR .....	-	-	-	-	-	1	16555-ZOL-800	S2E3
	3	16561-Z1L-870	SPRING, GOVERNOR .....	-	-	-	-	-	1	16561-ZM0-870	A3T9
	5	16576-ZE7-300	SPRING, LEVER .....	-	-	-	-	-	1		S2E3
	7	16580-ZM0-J62	BASE COMP., CONTROL .....	-	-	-	-	-	1	16580-ZM0-J61	A3T9
		16580-Z1L-850	.....	-	-	-	-	-	1		S2E3
	12	93500-05016-0A	SCREW, PAN, 5X16 .....	-	-	-	-	-	1		S2E3
	14		SWITCH ASSY., ENGINE STOP (N. 0)	-	-	-	-	-	0	35120-ZL8-003	A3T9
	15		SCREW-WASHER, 4X12 .....	-	-	-	-	-	0	93892-04012-00	A3T9
	16		WASHER, PLAIN, 4MM .....	-	-	-	-	-	0	94103-04000	A3T9
	17	16584-883-300	SPRING, CONTROL ADJUSTING ....	-	-	-	-	-	1		S2E3
	18	16599-ZG1-M10	COLLAR, STOPPER .....	-	-	-	-	-	1		S2E3

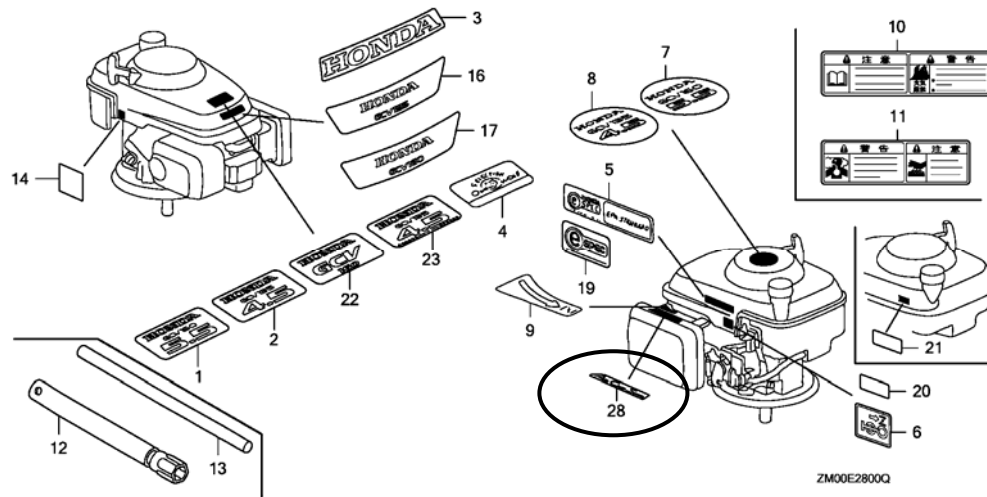
PARTS CATALOGUE NEWS

BOOKNo. : 13ZM00E6

Block No.	Ref. No.	Part No.	Description	Reqd. QTY						Base Part No.	Parts catalogue code
				GCV 135	GCV 135 E	GCV 160	GCV 160 A	GCV 135 A	GCV 160 E		
	19	90016-ZE7-W00	SCREW, RECESSED, 5X28 .....	-	-	-	-	-	1		S2E3
	20		BASE COMP., CONTROL .....	-	-	-	-	-	0	16580-Z0M-810	S2E3
	21		SPRING, CONTROL ADJUSTING ....	-	-	-	-	-	0	16584-883-300	S2E3
	22		COLLAR, STOPPER .....	-	-	-	-	-	0	16599-ZG1-M10	S2E3
	23		SCREW, RECESSED, 5X28 .....	-	-	-	-	-	0	90016-ZE7-W00	S2E3
	24	16617-VG3-000	HOLDER, CABLE .....	-	-	-	-	-	1		S2E3
	29	16563-Z1L-850	SPRING, IDLE GOVERNOR .....	-	-	-	-	-	1		S2E3
E-22-3	2		SPRING, CABLE RETURN .....	-	-	-	-	-	0	16592-ZJ1-000	S2E3
	5		SPRING, CHOKE LEVER .....	-	-	-	-	-	0	16614-Z0L-800	S2E3
	8		ROD, STOP .....	-	-	-	-	-	0	16632-Z0L-800	S2E3
	9		BOLT, FLANGE, 6X20 .....	-	-	-	-	-	0	90022-888-000	S2E3
	14		LEVER ASSY., CHOKE .....	-	-	-	-	-	0	16610-Z0L-800	S2E3

E-28

LABEL/TOOL



PARTS CATALOGUE NEWS

BOOKNo. : 13ZM00E6

Block No.	Ref. No.	Part No.	Description	Reqd. QTY						Base Part No.	Parts catalogue code
				GCV 135	GCV 135 E	GCV 160	GCV 160 A	GCV 135 A	GCV 160 E		
E-28	1		MARK, EMBLEM (GCV160 5.5) ....	-	-	-	-	-	0	87101-ZM0-010	
	9		MARK, CHOKE INDICATION .....	-	-	-	-	-	0	87528-ZOL-800	S2E3
	22	87101-ZM0-801	MARK, EMBLEM (GCV160) .....	-	-	-	-	-	1		
	28	87529-ZOY-840	MARK, AUTO CHOKE .....	-	-	-	-	-	1		S2E3



# PARTS CATALOGUE NEWS

Honda Motor Co., Ltd. Service Division

## PARTS CATALOGUE - CORRECTED

Printed in Japan

CODE NO.	BOOKLET TYPE	13ZM00E6
	MICRO-FICHE	13ZM00EF/FF
PARTS CATALOGUE NEWS	GCV135 GCV135E GCV160 GCV160A GCV135A GCV160E	
NEWS NO.	045	

Block No.	Ref. No.	Note	Part No.	Description	Reqd. QTY						Serial No.	Parts catalogue code
					GCV 135	GCV 135 E	GCV 160	GCV 160 A	GCV 135 A	GCV 160 E		
E-21	9	T	51125-ZOL-003	HOLDER, WIRE (FASTEX) .....	-	-	-	1	-	-	-----	E1A2

NOTE A:PART NO. CHANGE D:NEWLY PROVIDED E:PART NO.DELETION K:REQUIRED NO. CORRECTION L:APPLICATION SERIAL NO. CORRECTION  
 T:APPLICATION CORRECTION Z:REMARKS CHANGE



# PARTS CATALOGUE NEWS

Honda Motor Co., Ltd. Service Division

## PARTS CATALOGUE - CORRECTED

Printed in Japan

CODE NO.	BOOKLET TYPE	13ZM00E6
	MICRO- FICHE	13ZM00EF/FF
PARTS CATALOGUE NEWS	GCV135 GCV135E GCV160 GCV160A GCV135A GCV160E	
NEWS NO.	046	

Block No.	Ref. No.	Note	Part No.	Description	Reqd. QTY						Serial No.	Parts catalogue code	
					GCV 135	GCV 135 E	GCV 160	GCV 160 A	GCV 135 A	GCV 160 E			
E-8	1	L	13101-Z2A-000	PISTON .....	-	-	-	1	-	-	-----	A1A, A1AE, A1AF, A1AS, A1C, A1E, A1E7, A1E8, A1M A1W7, A2A, A2C, A2E7, A2E8, A2E9, A2G7, A2R, A3A A3E, A7E1, BHH, BHH1, EHBB, E1A2, E1A4, E1G7, E2G7 E5A4, NBL1, N1A, N1AF, N1C, N1E1, N1E7, N1L, N1R N1U, N1W7, N1W8, N1W9, N2E7, N2E8, N2E9, N2U, N3U N3V, N5A, N5AF, N5C, N5MF, N5R, N7A1, N7S1, RTL1 R1A, R3A, R3A1, STA1, STL1, S1A, S1A1, S1M, S2G7 S3A, S3A2, S3H, S3H2	
					-	-	-	-	-	1	-----	2033972	A3E9
		T	13101-Z2A-010	.....	-	1	-	1	-	1	-----	-----	A3T9, C1E, C1E1, C2E, C2E1, N2KE, S2E3
					-	-	-	-	-	1	2033973	-----	A3E9
	6	L	13010-Z0L-003	RING SET, PISTON (RIKEN) .....	-	-	-	1	-	-	-----	-----	S2E3
					-	-	-	-	-	1	-----	2033972	A3E9
		L	13010-Z0L-004	RING SET, PISTON (STD.) (TEIKOKU)	-	-	-	1	-	-	-----	-----	A1M, BHH1, EHBB, E1A2, E1A4, E1G7, E2G7, E5A4, N1L N5MF, N5R, N7S1, R1A, R3A, R3A1, S1M, S2G7, S3A2 S3H, S3H2

NOTE A:PART NO. CHANGE D:NEWLY PROVIDED E:PART NO. DELETION K:REQUIRED NO. CORRECTION L:APPLICATION SERIAL NO. CORRECTION  
T:APPLICATION CORRECTION Z:REMARKS CHANGE

PARTS CATALOGUE NEWS

BOOKNo. : 13ZM00E6

Block No.	Ref. No.	Note	Part No.	Description	Reqd. QTY						Serial No.	Parts catalogue code	
					GCV 135	GCV 135 E	GCV 160	GCV 160 A	GCV 135 A	GCV 160 E			
					-	-	-	-	-	1	----- 2033972	A3E9	
		T	13010-ZOL-014	.....	-	1	-	1	-	1	-----	A3T9, C1E, C1E1, C2E, C2E1, N2KE, S2E3	
					-	-	-	-	-	1	2033973	A3E9	
E-12	11		95001-55135-40	TUBE, FUEL, 5. 3X135 (95001-55001-60M)	1	1	-	-	-	-	-----	A1A, A1C, A1D, A1E, A1E1, A1E7, A1E8, A1G9, A1J, A1U A2A, A2C, A2D, A2E, A2E1, A2E4, A2E7, A2E8, A2E9 A2G, A2G4, A2G7, A2G9, A2U, A3E, A4E, N1D, N1E, N1E1 N1G, N1S, N1S7, N1U, N1W, N1W1, N1W7, N1W8, N2D, N2E N2E1, N2E2, N2E3, N2E7, N2E8, N2E9, N2KE, N2U, S2E S2E1	
					1	-	-	-	-	-	-----	A2R	
					-	1	-	-	-	-	-----	2363395	A2R, N2KA
					-	-	-	-	1	-	-----	A2R, N2KA	
		A	91425-ZOM-801	TUBE, FUEL, 5. 3X135 (FKM) .....	-	1	-	-	-	-	2363396	A2R, N2KA	
		L	95001-55150-40	TUBE, FUEL, 5. 3X150 (95001-55001-60M)	-	-	1	1	-	1	-----	A1E, A1G7, A1M, A1P, A3E, C1E, C1E1, C2E, C2E1, EHHB E1A2, E1A4, E1G7, E2G7, E5A4, NBL1, N1D, N1E1, N1E2 N1J1, N1L, N1R, N3U, RTL1, R1A, R3A, R3A1, STL1 S2G7, S3H2	
					-	-	1	-	-	1	-----	A1A, A1C, A1E7, A1E8, A1G9, A1J, A1U, A1W2, A1W7 A2A, A2A9, A2C, A2E, A2E4, A2E7, A2E8, A2E9, A2G4 A2G7, A2G9, A2R, A2U, A3E7, A3E9, A3T9, A3W7, A3W8 A4E, N1, N1E7, N1T8, N1T9, N1U, N1W, N1W1, N1W2 N1W7, N1W8, N1W9, N2, N2D, N2E, N2E1, N2E2, N2E3 N2E7, N2E8, N2E9, N2U, N3T8, N3T9, N3V, N3W8, N3W9 S1E1, S2E, S2E1, S2E3	
					-	-	-	1	-	-	-----	4803407	S3A2, S3H
					-	-	-	1	-	-	2510375	A1A, A1AS, A1C, A1E7, A1E8, A1W7, A2A, A2C, A2E7 A2E8, A2E9, A2G7, A2R, BHH, N1A, N1C, N1E7, N1U N1W7, N1W8, N1W9, N2E7, N2E8, N2E9, N2U, N3V, N5A N5C, STA1, S1A, S1A1, S3A	
					-	-	-	1	-	-	2510375	4062255	A1AE, A1AF, A3A, N1AF, N5AF
		T	91425-ZOL-801	TUBE, FUEL, 5. 3X150 (FKM) .....	-	-	-	1	-	-	-----	BHH1, N5MF, N5R, S1M	
					-	-	-	1	-	-	4062256	A1AE, A1AF, A3A, N1AF, N5AF	

NOTE A:PART NO. CHANGE D:NEWLY PROVIDED E:PART NO. DELETION K:REQUIRED NO. CORRECTION L:APPLICATION SERIAL NO. CORRECTION  
T:APPLICATION CORRECTION Z:REMARKS CHANGE



PARTS CATALOGUE NEWS

BOOKNo. : 13ZM00E6

Block No.	Ref. No.	Note	Part No.	Description	Reqd. QTY						Serial No.	Parts catalogue code	
					GCV 135	GCV 135 E	GCV 160	GCV 160 A	GCV 135 A	GCV 160 E			
					-	-	-	1	-	-	4803408	-----	S3A2, S3H
	13	L	95002-02100	CLIP, TUBE (B10) .....	2	2	2	2	-	2	-----	-----	A1A, A1AS, A1C, A1D, A1E, A1E1, A1E7, A1E8, A1G7 A1G9, A1J, A1M, A1P, A1U, A1W2, A1W7, A2A, A2A9, A2C A2D, A2E, A2E1, A2E4, A2E7, A2E8, A2E9, A2G, A2G4 A2G7, A2G9, A2U, A3E, A3E7, A3E9, A3T9, A3W7, A3W8 A4E, BHH, C1E, C1E1, C2E, C2E1, EHBB, E1A2, E1A4 E1G7, E2G7, E5A4, NBL1, N1, N1A, N1C, N1D, N1E, N1E1 N1E2, N1E7, N1G, N1J1, N1L, N1R, N1S, N1S7, N1T8 N1T9, N1U, N1W, N1W1, N1W2, N1W7, N1W8, N1W9, N2 N2D, N2E, N2E1, N2E2, N2E3, N2E7, N2E8, N2E9, N2KE N2U, N3T8, N3T9, N3U, N3V, N3W8, N3W9, N5A, N5C RTL1, R1A, R3A, R3A1, STA1, STL1, S1A, S1A1, S1E1 S2E, S2E1, S2E3, S2G7, S3A, S3H2
					2	-	2	2	-	2	-----	-----	A2R
					-	2	-	-	-	-	-----	2363395	A2R, N2KA
					-	-	-	2	-	-	-----	4062255	A1AE, A1AF, A3A, N1AF, N5AF
					-	-	-	2	-	-	-----	4803407	S3A2, S3H
					-	-	-	-	2	-			
	32	L	17702-ZM0-800	TUBE, FUEL .....	1	-	-	-	-	-	1623713	-----	A1A, A1C, A1E, A1E7, A1E8, A2A, A2C, A2E, A2E4, A2E7 A2E8, A2E9, A2G, A2G7, A2R, A7E1, N1D, N1G, N1S N1S7, N1U, N1W, N1W1, N1W7, N1W8, N2E, N2E1, N2E7 N2E8, N2E9, N2U, N7E1, N7E2
					-	1	-	1	-	1	-----	-----	A2G4, N1E1, N1R, N2KE
					-	1	-	-	-	-	-----	-----	N1U
					-	1	-	-	-	-	-----	2363395	A2R, N2KA
					-	1	-	-	-	-	1694819	-----	A1E, A1E7, A1E8, A2E, A2E7, A2E8, A2E9, A2G7, A2G9 A7E1, N1E, N1S, N1S7, N1W, N1W7, N1W8, N2E, N2E1 N2E3, N2E7, N2E8, N2E9, N7E1, N7E2, S2E, S2E1
					-	-	1	-	-	1	-----	-----	N1J1
					-	-	1	-	-	-	2439089	-----	A1A, A1C, A1E, A1E7, A1E8, A1G7, A1P, A1W2, A1W7 A2A, A2C, A2E, A2E4, A2E7, A2E8, A2E9, A2G7, A2R A3E, A7E1, N1, N1D, N1E1, N1E2, N1E7, N1R, N1U, N1W N1W1, N1W2, N1W7, N1W8, N1W9, N2, N2E, N2E1, N2E3 N2E7, N2E8, N2E9, N2U, N3U, N3V, N7A1

NOTE A:PART NO. CHANGE D:NEWLY PROVIDED E:PART NO.DELETION K:REQUIRED NO. CORRECTION L:APPLICATION SERIAL NO. CORRECTION  
T:APPLICATION CORRECTION Z:REMARKS CHANGE

PARTS CATALOGUE NEWS

BOOKNo. : 13ZM00E6

Block No.	Ref. No.	Note	Part No.	Description	Reqd. QTY						Serial No.	Parts catalogue code	
					GCV 135	GCV 135 E	GCV 160	GCV 160 A	GCV 135 A	GCV 160 E			
					-	-	-	1	-	1	-----	-----	A1E, A1G9, A1M, A1P, A3E, A3E7, A3E9, A3T9, A3W7 A3W8, C1E, C1E1, C2E, C2E1, EHBB, E1A2, E1A4, E1G7 E2G7, E5A4, NBL1, N1D, N1E2, N1L, N1T8, N1T9, N3T8 N3T9, N3U, N3W8, N3W9, N7S1, RTL1, R1A, R3A, R3A1 STL1, S1E1, S2E3, S2G7, S3H2
					-	-	-	1	-	-	-----	4803407	S3A2, S3H
					-	-	-	1	-	-	2510375	-----	A1A, A1AS, A1C, A1E7, A1E8, A1W7, A2A, A2C, A2E7 A2E8, A2E9, A2G7, A2R, A7E1, BHH, N1A, N1C, N1E7 N1U, N1W7, N1W8, N1W9, N2E7, N2E8, N2E9, N2U, N3V N5A, N5C, N7A1, STA1, S1A, S1A1, S3A
					-	-	-	1	-	-	2510375	4062255	A1AE, A1AF, A3A, N1AF, N5AF
					-	-	-	-	-	1	-----	1762462	A2A9, A2R
					-	-	-	-	-	1	1197182	-----	A1E7, A1E8, A1G7, A1W7, A2E7, A2E8, A2E9, A2G7 A2G9, A7E1, N1E7, N1W7, N1W8, N1W9, N2E7, N2E8 N2E9, S2E, S2E1
					-	-	-	-	-	1	1197182	1762462	N7A1
		T	17702-ZOL-801	TUBE, FUEL (FKM) .....	-	1	-	-	-	-	2363396	-----	A2R, N2KA
					-	-	-	1	-	-	-----	-----	BHH1, N5MF, N5R, S1M
					-	-	-	1	-	-	4062256	-----	A1AE, A1AF, A3A, N1AF, N5AF
					-	-	-	1	-	-	4803408	-----	S3A2, S3H
					-	-	-	-	-	1	1762463	-----	A2A9, A2R, N7A1
	33	L	95002-02080	CLIP, TUBE (B8) .....	2	-	-	-	-	-	1623713	-----	A1A, A1C, A1E, A1E7, A1E8, A2A, A2C, A2E, A2E4, A2E7 A2E8, A2E9, A2G, A2G7, A2R, A7E1, N1D, N1G, N1S N1S7, N1U, N1W, N1W1, N1W7, N1W8, N2E, N2E1, N2E7 N2E8, N2E9, N2U, N7E1, N7E2
					-	2	-	2	-	2	-----	-----	A2G4, N1E1, N1R, N2KE
					-	2	-	-	-	-	-----	-----	N1U
					-	2	-	-	-	-	-----	2363395	A2R, N2KA
					-	2	-	-	-	-	1694819	-----	A1E, A1E7, A1E8, A2E, A2E7, A2E8, A2E9, A2G7, A2G9 A7E1, N1E, N1S, N1S7, N1W, N1W7, N1W8, N2E, N2E1 N2E3, N2E7, N2E8, N2E9, N7E1, N7E2, S2E, S2E1

NOTE A:PART NO. CHANGE D:NEWLY PROVIDED E:PART NO. DELETION K:REQUIRED NO. CORRECTION L:APPLICATION SERIAL NO. CORRECTION  
T:APPLICATION CORRECTION Z:REMARKS CHANGE

PARTS CATALOGUE NEWS

BOOKNo. : 13ZM00E6

Block No.	Ref. No.	Note	Part No.	Description	Reqd. QTY						Serial No.	Parts catalogue code	
					GCV 135	GCV 135 E	GCV 160	GCV 160 A	GCV 135 A	GCV 160 E			
					-	-	2	-	-	2	-----	-----	N1J1
					-	-	2	-	-	-	2439089	-----	A1A, A1C, A1E, A1E7, A1E8, A1G7, A1P, A1W2, A1W7 A2A, A2C, A2E, A2E4, A2E7, A2E8, A2E9, A2G7, A2R A3E, A7E1, N1, N1D, N1E1, N1E2, N1E7, N1R, N1U, N1W N1W1, N1W2, N1W7, N1W8, N1W9, N2, N2E, N2E1, N2E3 N2E7, N2E8, N2E9, N2U, N3U, N3V, N7A1
					-	-	-	2	-	2	-----	-----	A1E, A1G9, A1M, A1P, A3E, A3E7, A3E9, A3T9, A3W7 A3W8, C1E, C1E1, C2E, C2E1, EHHB, E1A2, E1A4, E1G7 E2G7, E5A4, NBL1, N1D, N1E2, N1L, N1T8, N1T9, N3T8 N3T9, N3U, N3W8, N3W9, N7S1, RTL1, R1A, R3A, R3A1 STL1, S1E1, S2E3, S2G7, S3H2
					-	-	-	2	-	-	-----	4803407	S3A2, S3H
					-	-	-	2	-	-	2510375	-----	A1A, A1AS, A1C, A1E7, A1E8, A1W7, A2A, A2C, A2E7 A2E8, A2E9, A2G7, A2R, A7E1, BHH, N1A, N1C, N1E7 N1U, N1W7, N1W8, N1W9, N2E7, N2E8, N2E9, N2U, N3V N5A, N5C, N7A1, STA1, S1A, S1A1, S3A
					-	-	-	2	-	-	2510375	4062255	A1AE, A1AF, A3A, N1AF, N5AF
					-	-	-	-	-	2	-----	1762462	A2A9, A2R
					-	-	-	-	-	2	1197182	-----	A1E7, A1E8, A1G7, A1W7, A2E7, A2E8, A2E9, A2G7 A2G9, A7E1, N1E7, N1W7, N1W8, N1W9, N2E7, N2E8 N2E9, S2E, S2E1
					-	-	-	-	-	2	1197182	1762462	N7A1
	34	T	95002-40800-08	CLAMP, TUBE (D8) .....	-	2	-	-	-	-	2363396	-----	A2R, N2KA
					-	-	-	2	-	-	-----	-----	BHH1, N5MF, N5R, S1M
					-	-	-	2	-	-	4062256	-----	A1AE, A1AF, A3A, N1AF, N5AF
					-	-	-	2	-	-	4803408	-----	S3A2, S3H
					-	-	-	-	-	2	1762463	-----	A2A9, A2R, N7A1
	35	T	95002-41000-08	CLAMP, TUBE (D10) .....	-	2	-	-	-	-	2363396	-----	A2R, N2KA
					-	-	-	2	-	-	-----	-----	BHH1, N5MF, N5R, S1M
					-	-	-	2	-	-	4062256	-----	A1AE, A1AF, A3A, N1AF, N5AF
					-	-	-	2	-	-	4803408	-----	S3A2, S3H

NOTE A:PART NO. CHANGE D:NEWLY PROVIDED E:PART NO.DELETION K:REQUIRED NO. CORRECTION L:APPLICATION SERIAL NO. CORRECTION  
T:APPLICATION CORRECTION Z:REMARKS CHANGE

PARTS CATALOGUE NEWS

BOOKNo. : 13ZM00E6

Block No.	Ref. No.	Note	Part No.	Description	Reqd. QTY						Serial No.	Parts catalogue code	
					GCV 135	GCV 135 E	GCV 160	GCV 160 A	GCV 135 A	GCV 160 E			
E-14	7		16100-ZM1-823	CARBURETOR ASSY. (BB64F B) ...	-	1	-	-	-	-	-	-----	N2KE
					-	1	-	-	-	-	1982271	-----	A1E, A1E7, A1E8, A1G9, A2E, A2E7, A2E8, A2E9, A2G4 A2G7, A2G9, N1E, N1S, N1S7, N1U, N1W, N1W7, N1W8 N2E, N2E1, N2E3, N2E7, N2E8, N2E9
					-	1	-	-	-	-	1982271	2363395	A2R, N2KA
					-	1	-	-	-	-	2363396	-----	A2R, N2KA
					-	-	-	1	-	-	3036310	4062255	A1AE, A1AF, A3A, N1AF, N5AF
					-	-	-	1	-	-	-----	4803407	S3A2, S3H
					-	-	-	1	-	-	-----	-----	N5MF, N5R
E-19	2	T	19612-ZM0-J20	PLATE, SIDE .....	-	1	1	1	-	1	-----	-----	BHH1, N1E, N1E2, N1G, N1J1, N1W, N1W1, N1W2, N2E N2E1, N2E2, N2E3, N7E1, N7E2
					1	1	1	-	-	1	-----	-----	N1E1, N1E7, N1R, N1W7, N1W8, N1W9, N2E7, N2E8, N2E9 N7A1
					1	-	-	-	-	-	1623728	-----	A2R, N1D, N1U, N2U
					-	1	-	-	-	1	-----	-----	A2R, N1D, N1T8, N1T9, N1U, N2KA, N2KE, N3T8, N3T9 N3W8, N3W9
					-	-	1	-	-	-	2340424	-----	A2R, N1D, N1U, N2U, N3U, N3V
E-19	2	T	19612-ZOL-000	.....	-	-	-	1	-	-	-----	5008780	BHH, N1AF, N1E1, N1E7, N1L, N1R, N1W7, N1W8, N1W9 N2E7, N2E8, N2E9, N3U, N5AF, N7A1, N7S1
					-	-	-	1	-	-	1360692	5008780	A2R, N1A, N1C, N1U, N2U, N3V, N5A, N5C
					-	-	-	-	1	-	-----	-----	EHHB, N5MF, N5R
					-	-	-	1	-	-	5008781	-----	A2R, BHH, N1A, N1AF, N1C, N1E1, N1E7, N1L, N1R, N1U N1W7, N1W8, N1W9, N2E7, N2E8, N2E9, N2U, N3U, N3V N5A, N5AF, N5C, N7A1, N7S1

NOTE A:PART NO. CHANGE D:NEWLY PROVIDED E:PART NO.DELETION K:REQUIRED NO. CORRECTION L:APPLICATION SERIAL NO. CORRECTION  
T:APPLICATION CORRECTION Z:REMARKS CHANGE

PARTS CATALOGUE NEWS

BOOKNo. : 13ZM00E6

Block No.	Ref. No.	Note	Part No.	Description	Reqd. QTY						Serial No.	Parts catalogue code	
					GCV 135	GCV 135 E	GCV 160	GCV 160 A	GCV 135 A	GCV 160 E			
	17	E	31110-ZOL-831	*PARTS NO. DELETION									
		D	31110-ZOL-832	FLYWHEEL COMP. (PHELON) (USE FOR IGN. COIL OF PHELON)	-	-	-	1	-	-	-----	-----	E1A4, E5A4
E-19-1	2		19612-ZMO-J20	PLATE, SIDE .....	-	-	-	1	-	-	-----	5008780	NBL1
		A	19612-ZOL-000	.....	-	-	-	1	-	-	5008781	-----	NBL1
E-22-3	2	T	16592-ZJ1-000	SPRING, CABLE RETURN .....	-	1	-	-	-	1	-----	-----	S1E1, S2E, S2E1
					-	-	-	1	-	-	-----	4361726	RTL1, STA1, STL1, S1A, S1A1, S3A, S3H2
		A	16592-Z2D-800	SPRING, RETURN .....	-	-	-	1	-	-	-----	-----	R1A, R3A, R3A1
					-	-	-	1	-	-	4361727	-----	RTL1, STA1, STL1, S1A, S1A1, S3A, S3H2
	5	T	16614-ZOL-800	SPRING, CHOKE LEVER .....	-	1	-	-	-	1	-----	-----	S1E1, S2E, S2E1
					-	-	-	1	-	-	-----	4361726	RTL1, STA1, STL1, S1A, S1A1, S3A, S3H2
		A	16614-Z2D-800	.....	-	-	-	1	-	-	-----	-----	R1A, R3A, R3A1
					-	-	-	1	-	-	4361727	-----	RTL1, STA1, STL1, S1A, S1A1, S3A, S3H2
	14	T	16610-ZOL-800	LEVER ASSY., CHOKE .....	-	-	-	1	-	-	-----	4361726	RTL1, STA1, STL1, S1A, S1A1, S3A, S3H2
					-	-	-	-	-	1	-----	-----	S1E1, S2E, S2E1
		A	16610-Z2D-801	.....	-	-	-	1	-	-	-----	-----	R1A, R3A, R3A1
					-	-	-	1	-	-	4361727	-----	RTL1, STA1, STL1, S1A, S1A1, S3A, S3H2
E-28	19	L	87135-ZE2-020	LABEL, E-SPEC (15.5X27.5) ....	1	1	-	-	-	1	-----	-----	N1R, N1U, N2U
					1	-	-	1	-	1	-----	-----	A1E, A1P, A2E, A2E4, A2G, N1D, N1E2, N1G, N1S, N1S7 N1W, N1W1, N2E, N2E1
					1	-	-	-	-	-	-----	-----	A1E7, A1E8, A2E7, A2E8, A2E9, A2G7, A7E1, N1W7 N1W8, N2E7, N2E8, N2E9
					-	1	-	-	-	-	-----	1935252	A1E, A1E7, A1E8, A1G9, A2E, A2E7, A2E8, A2E9, A2G4 A2G7, A2G9, A7E1, N1E, N1S, N1S7, N1W, N1W7, N1W8 N2E, N2E1, N2E3, N2E7, N2E8, N2E9, S2E, S2E1
					-	-	1	-	-	1	-----	-----	N1J1

NOTE A:PART NO. CHANGE D:NEWLY PROVIDED E:PART NO.DELETION K:REQUIRED NO. CORRECTION L:APPLICATION SERIAL NO. CORRECTION  
T:APPLICATION CORRECTION Z:REMARKS CHANGE

PARTS CATALOGUE NEWS

BOOKNo. : 13ZM00E6

Block No.	Ref. No.	Note	Part No.	Description	Reqd. QTY						Serial No.	Parts catalogue code	
					GCV 135	GCV 135 E	GCV 160	GCV 160 A	GCV 135 A	GCV 160 E			
					-	-	1	-	-	-	2436352	-----	A1E, A1E7, A1E8, A1G7, A1P, A1W2, A1W7, A2E, A2E4 A2E7, A2E8, A2E9, A2G7, A3E, A7E1, N1, N1D, N1E1 N1E2, N1E7, N1R, N1U, N1W, N1W1, N1W2, N1W7, N1W8 N1W9, N2, N2E, N2E1, N2E3, N2E7, N2E8, N2E9, N2U N3U, N3V
					-	-	-	1	-	-	-----	-----	A3E
					-	-	-	1	-	-	-----	2175263	N1E1, N1R, N1U, N2U, N3U, N3V
					-	-	-	1	-	-	-----	2786632	A1E7, A1E8, A1W7, A2E7, A2E8, A2E9, A2G7, A7E1 N1E7, N1W7, N1W8, N1W9, N2E7, N2E8, N2E9
					-	-	-	-	-	1	-----	-----	N1E1
					-	-	-	-	-	1	-----	1423175	A1E7, A1E8, A1G7, A1G9, A1W7, A2E7, A2E8, A2E9 A2G4, A2G7, A2G9, A3E7, A7E1, N1E7, N1T8, N1T9 N1W7, N1W8, N1W9, N2E7, N2E8, N2E9, S1E1, S2E, S2E1
	20	D	87114-ZH7-810	LABEL, WARNING (NOT CERTIFIED FOR SALE)	-	-	-	1	-	-	-----	-----	N1R, N1U, N2U, N3U, N3V
		D	87114-ZH7-820	.....	-	1	-	-	-	-	-----	2363395	A2R
					-	-	-	1	-	-	-----	4062255	A1AE, A1AF, A3A, N1AF, N5AF
					-	-	-	1	-	-	-----	4803407	S3A2, S3H
		T	87114-ZH7-821	.....	-	1	-	-	-	-	2363396	-----	A2R
					-	-	-	1	-	-	-----	-----	A1A, A1AS, A1C, A2A, A2C, A2R, BHH, EHHB, E1A2, E1A4 E5A4, NBL1, N1A, N1C, N5A, N5C, N5MF, N5R, N7A1 RTL1, R1A, R3A, R3A1, STA1, STL1, S1A, S1A1, S1M, S3A
					-	-	-	1	-	-	4062256	-----	A1AE, A1AF, A3A, N1AF, N5AF
					-	-	-	1	-	-	4803408	-----	S3A2, S3H
		T	87114-Z3E-000	.....	-	1	-	-	-	-	2500797	-----	N2KA, N7E1, N7E2
					-	-	-	-	-	1	1764463	-----	N7A1

NOTE A:PART NO. CHANGE D:NEWLY PROVIDED E:PART NO.DELETION K:REQUIRED NO. CORRECTION L:APPLICATION SERIAL NO. CORRECTION  
T:APPLICATION CORRECTION Z:REMARKS CHANGE



# PARTS CATALOGUE NEWS

Honda Motor Co., Ltd. Service Division

## PARTS CATALOGUE - CORRECTED

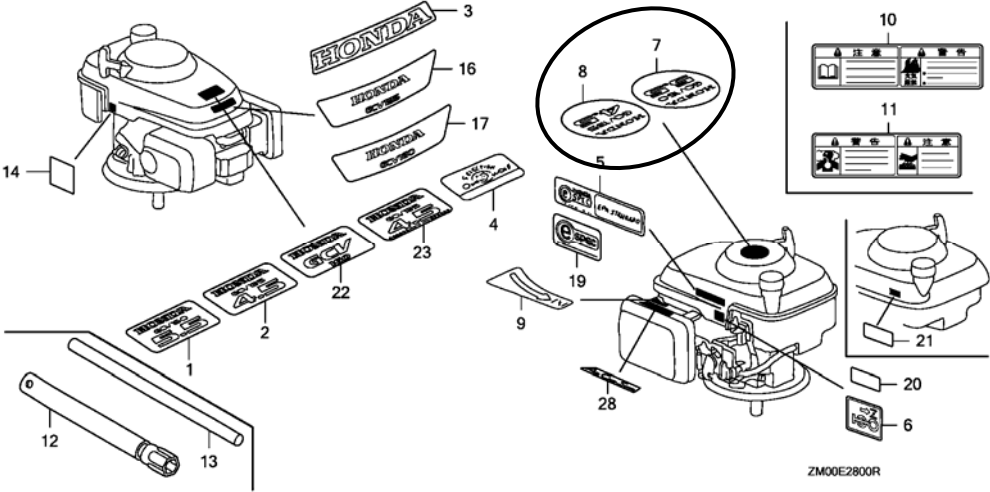
Printed in Japan

CODE NO.	BOOKLET TYPE	13ZM00E6
	MICRO-FICHE	13ZM00EF/FF
PARTS CATALOGUE NEWS	GCV135 GCV135E GCV160 GCV160A GCV135A GCV160E	
NEWS NO.	047	

Block No.	Ref. No.	Note	Part No.	Description	Reqd. QTY			Serial No.	Parts catalogue code
					GCV 135	GCV 135 E	GCV 160		

E-28 LABEL/TOOL

ILLUSTRATION CORRECTED



NOTE A:PART NO. CHANGE D:NEWLY PROVIDED E:PART NO.DELETION K:REQUIRED NO. CORRECTION L:APPLICATION SERIAL NO. CORRECTION  
 T:APPLICATION CORRECTION Z:REMARKS CHANGE



# PARTS CATALOGUE NEWS

Honda Motor Co., Ltd. Service Division

## PARTS CATALOGUE - CORRECTED

Printed in Japan

CODE NO.	BOOKLET TYPE	13ZM00E6
	MICRO-FICHE	13ZM00EF/FF
PARTS CATALOGUE NEWS	GCV135 GCV135E GCV160 GCV160A GCV135A GCV160E	
NEWS NO.	048	

Block No.	Ref. No.	Note	Part No.	Description	Reqd. QTY						Serial No.	Parts catalogue code
					GCV 135	GCV 135 E	GCV 160	GCV 160 A	GCV 135 A	GCV 160 E		
E-11	1	T	28400-ZOL-V20ZA	STARTER ASSY., RECOIL (LONG ROPE) *NH1*.....BLACK	-	-	-	1	-	-	-----	BHH1
					-	-	-	1	-	-	3396967	BHH, S3A, S3H2
E-12	6	T	19610-ZOL-000ZA	COVER COMP., FAN *NH1*.....BLACK	-	-	-	1	-	-	-----	A1AE, A1AF, A1AS, A1C, A1E, A1E7, A1E8, A1M, A2C A2E7, A2E8, A2E9, A2G7, A3E, A7E1, BHH1, NBL1, N1AF N1C, N1E1, N1E7, N1L, N1R, N1U, N1W7, N2E7, N2E8 N2E9, N2U, N3U, N3V, N5AF, N5C, N5MF, N7A1, N7S1 S2G7, S3A2, S3H

NOTE A:PART NO. CHANGE D:NEWLY PROVIDED E:PART NO. DELETION K:REQUIRED NO. CORRECTION L:APPLICATION SERIAL NO. CORRECTION  
T:APPLICATION CORRECTION Z:REMARKS CHANGE





## PARTS CATALOGUE NEWS

Honda Motor Co., Ltd. Service Division

Printed in Japan

CODE NO.	BOOKLET TYPE	13ZM00E6
	MICRO- FICHE	13ZM00EF/FF
PARTS CATALOGUE NEWS		GCV135 GCV135E GCV160 GCV160A GCV135A GCV160E
NEWS NO.		049

**GCV135E-A3G9,A4G4,A4G7,A4G9, GCV160A-C3E,C3E1,C4E,C4E1,  
GCV160E-A3G9,A4G4,A4G7,A4G9,S2E2,S3E9,S3G9,S4E4,S4E9,S4G4  
AND S4G9 TYPES sales parts information**

NOTE: This Parts Catalogue News explains only the parts of the different model that are produced to conform to addition of the GCV135E-A3G9,A4G4,A4G7,A4G9, GCV160A-C3E,C3E1,C4E,C4E1, GCV160E-A3G9,A4G4,A4G7,A4G9,S2E2,S3E9,S3G9,S4E4,S4E9,S4G4 and S4G9 types.

As for the parts not listed on this Parts Catalogue News, use the parts of the GCV135E-A1G9,A2G4,A2G7,A2G9, GCV160A-C1E,C1E1,C2E,C2E1, GCV160E-A1G9,A2A9,A2G4,A2G7,A2G9,A3E9 and S2E3 types.

**•Models, parts catalogue codes and applicable serial numbers**

Model	Type		Parts catalogue type	Applicable engine serial No.	Applicable carburetor identification No.
GCV135E	A1G9	Base Type	A1G9	GJAFE-1000001~	BB64F A / B
	A3G9	Additional Type	A3G9		BB64F B
	A2G4	Base Type	A2G4		BB64F A / B
	A4G4	Additional Type	A4G4		BB64F B
	A2G7	Base Type	A2G7		BB64F A / B
	A4G7	Additional Type	A4G7		BB64F B
	A2G9	Base Type	A2G9		BB64F A / B
	A4G9	Additional Type	A4G9		BB64F B
GCV160A	C1E	Base Type	C1E	GJAEA-1000001~	BB62B E
	C3E	Additional Type	C3E		BB62W A
	C1E1	Base Type	C1E1		BB62B E
	C3E1	Additional Type	C3E1		BB62W A
	C2E	Base Type	C2E		BB62B E
	C4E	Additional Type	C4E		BB62W A
	C2E1	Base Type	C2E1		BB62B E
	C4E1	Additional Type	C4E1		BB62W A

Model	Type		Parts catalogue type	Applicable engine serial No.	Applicable carburetor identification No.
GCV160E	A1G9	Base Type	A1G9	GJAAE-1000001~	BB62B D / E
	A3G9	Additional Type	A3G9		BB62W A
	A2G4	Base Type	A2G4		BB62B D / E
	A4G4	Additional Type	A4G4		BB62W A
	A2G7	Base Type	A2G7		BB62B D / E
	A4G7	Additional Type	A4G7		BB62W A
	A2G9	Base Type	A2G9		BB62B D / E
	A4G9	Additional Type	A4G9		BB62W A
	A2A9	Base Type	A2A9		BB62B D / E
	S2E2	Additional Type	S2E2		BB65E A
	A3E9	Base Type	A3E9		BB62B E
	S3E9	Additional Type	S3E9		BB65E A
	S2E3	Base Type	S2E3		BB65K A
	S3G9	Additional Type	S3G9		BB62B D / E
	A2G4	Base Type	A2G4		BB62B D / E
	S4E4	Additional Type	S4E4		BB65E A

## PARTS CATALOGUE NEWS

BOOKNo. : 13ZM00E6

Model	Type		Parts catalogue type	Applicable engine serial No.	Applicable carburetor identification No.
GCV160E	A3E9	Base Type	A3E9	GJAAE- 1000001~	BB62B E
	S4E9	Additional Type	S4E9		BB65E A
	S2E3	Base Type	S2E3		BB65K A
	S4G4	Additional Type	S4G4		
	S2E3	Base Type	S2E3		
	S4G9	Additional Type	S4G9		

•Features of each type		Base type	Additional type	Base type	Additional type	Base type	Additional type	Base type	Additional type
		GCV135E							
Specifications		A1G9	A3G9	A2G4	A4G4	A2G7	A4G7	A2G9	A4G9
Crankshaft	20mm Ø Straight (133.8mm)								
	22.2mm Ø Straight (100.4mm)								
	22.2mm Ø Straight (117.4mm)			●		●		●	
	22.2mm Ø Straight (135.7mm)	●							
	25mm Ø Straight (117.4mm)				●		●		●
	25mm Ø Straight (135.7mm)		●						
	M14 Stepped thread (137.4mm)								
Recoil starter		●	●	●	●			●	●
Recoil starter (Long rope)						●	●		
Flywheel brake		●	●	●	●	●	●	●	●

Specifications		Model	Base type	Additional type	Base type	Additional type	Base type	Additional type	Base type	Additional type
		Type	GCV160A							
			C1E	C3E	C1E1	C3E1	C2E	C4E	C2E1	C4E1
Crankshaft	20mm Ø Straight (133.8mm)									
	22.2mm Ø Straight (100.4mm)									
	22.2mm Ø Straight (117.4mm)					●			●	
	22.2mm Ø Straight (135.7mm)		●		●					
	25mm Ø Straight (117.4mm)							●		●
	25mm Ø Straight (135.7mm)			●		●				
	M14 Stepped thread (137.4mm)									
Recoil starter					●	●			●	●
Recoil starter (Long rope)			●	●			●	●		
Flywheel brake			●	●	●	●	●	●	●	●

		Base type	Additional type	Base type	Additional type	Base type	Additional type	Base type	Additional type
Specifications		Model	GCV160E						
		Type	A1G9	A3G9	A2G4	A4G4	A2G7	A4G7	A2G9
Crankshaft	20mm Ø Straight (133.8mm)								
	22.2mm Ø Straight (100.4mm)								
	22.2mm Ø Straight (117.4mm)			●		●		●	
	22.2mm Ø Straight (135.7mm)	●							
	25mm Ø Straight (117.4mm)				●		●		●
	25mm Ø Straight (135.7mm)		●						
	M14 Stepped thread (137.4mm)								
Recoil starter		●	●	●	●			●	●
Recoil starter (Long rope)						●	●		
Flywheel brake		●	●	●	●	●	●	●	●

		Base type	Additional type	Base type	Additional type	Base type	Additional type	Base type	Additional type
<b>Specifications</b>		<b>Model</b>	<b>GCV160E</b>						
		<b>Type</b>	<b>A2A9</b>	<b>S2E2</b>	<b>A3E9</b>	<b>S3E9</b>	<b>S2E3</b>	<b>S3G9</b>	<b>A2G4</b>
Crankshaft	20mm Ø Straight (133.8mm)								
	22.2mm Ø Straight (100.4mm)								
	22.2mm Ø Straight (117.4mm)	●	●			●		●	
	22.2mm Ø Straight (135.7mm)								
	25mm Ø Straight (117.4mm)								●
	25mm Ø Straight (135.7mm)			●	●		●		
	M14 Stepped thread (137.4mm)								
Recoil starter		●	●	●	●	●	●	●	●
Recoil starter (Long rope)									
Flywheel brake		●	●	●	●	●	●	●	●



		Base type	Additional type	Base type	Additional type	Base type	Additional type
Specifications		Model	GCV160E				
		Type	A3E9	S4E9	S2E3	S4G4	S2E3
Crankshaft	20mm Ø Straight (133.8mm)						
	22.2mm Ø Straight (100.4mm)						
	22.2mm Ø Straight (117.4mm)			●		●	
	22.2mm Ø Straight (135.7mm)						
	25mm Ø Straight (117.4mm)		●		●		●
	25mm Ø Straight (135.7mm)	●					
	M14 Stepped thread (137.4mm)						
Recoil starter		●	●	●	●	●	●
Recoil starter (Long rope)							
Flywheel brake		●	●	●	●	●	●

## PARTS CATALOGUE NEWS

BOOKNo. : 13ZM00E6

Block No.	Ref. No.	Part No.	Description	Reqd. QTY						Base Part No.	Parts catalogue code
				GCV 135	GCV 135 E	GCV 160	GCV 160 A	GCV 135 A	GCV 160 E		
E-3	1	12000-Z0L-406	BARREL ASSY., CYLINDER .....	-	-	-	-	-	1		S2E2, S3E9, S4E4, S4E9
	6	90014-952-000	BOLT, FLANGE, 6X14 (CT200) ....	-	-	-	3	-	-	90014-952-000	
	8	98079-55846	PLUG, SPARK (BPR5ES) (NGK) ....	-	-	-	1	-	-	98079-56846	
	9		BARREL ASSY., CYLINDER .....	-	-	-	-	-	0	12000-ZL8-425	S2E2, S3E9, S4E4, S4E9
	11	14711-ZL8-000	VALVE, IN. (TECHNOSTAR) .....	-	-	-	1	-	-		
		14711-ZL8-000	.....	-	1	-	-	-	-	14711-Z0J-000	
				-	-	-	-	-	1		A3G9, A4G4, A4G7, A4G9, S2E2, S4E4
E-6	1		PAN ASSY., OIL .....	-	0	-	0	-	0	11300-ZM0-405	
	15	90014-952-000	BOLT, FLANGE, 6X14 (CT200) ....	-	-	-	3	-	-	90014-952-000	
E-7	1		CRANKSHAFT COMP. ....	-	-	-	0	-	0	13310-ZM0-000	A3G9, C3E, C3E1
			.....	-	0	-	-	-	-	13310-ZM1-000	A3G9
	2		CRANKSHAFT COMP. ....	-	-	-	0	-	0	13310-ZM0-600	A4G4, A4G7, A4G9, C4E, C4E1, S3G9, S4E4, S4G4, S4G9
			.....	-	0	-	-	-	-	13310-ZM1-600	A4G4, A4G7, A4G9
	3		CRANKSHAFT COMP. ....	-	-	-	-	-	0	13310-ZM0-610	S4E9
		13310-ZM0-610	.....	-	-	-	1	-	1		A3G9, C3E, C3E1, S3G9
		13310-ZM1-610	.....	-	1	-	-	-	-		A3G9
	4	13310-ZM0-620	CRANKSHAFT COMP. ....	-	-	-	1	-	1		A4G4, A4G7, A4G9, C4E, C4E1, S4E4, S4E9, S4G4, S4G9
		13310-ZM1-620	.....	-	1	-	-	-	-		A4G4, A4G7, A4G9
					-	-	-	-	-		
E-8	1	13101-Z2A-010	PISTON .....	-	1	-	-	-	-	13101-ZL8-000	
				-	-	-	-	-	1		A3G9, A4G4, A4G7, A4G9, S2E2, S4E4
	6		RING SET, PISTON (TEIKOKU) ...	-	0	-	-	-	-	13010-ZL8-024	
				-	-	-	-	-	0		A3G9, A4G4, A4G7, A4G9, S4E4
			RING SET, PISTON (RIKEN) .....	-	-	-	-	-	0	13010-Z0L-003	S3G9, S4G4, S4G9
	13010-Z0L-003	.....	-	-	-	-	-	1	13010-ZL8-003	S2E2	

PARTS CATALOGUE NEWS

BOOKNo. : 13ZM00E6

Block No.	Ref. No.	Part No.	Description	Reqd. QTY						Base Part No.	Parts catalogue code
				GCV 135	GCV 135 E	GCV 160	GCV 160 A	GCV 135 A	GCV 160 E		
		13010-Z0L-014	RING SET, PISTON (STD.) (TEIKOKU)	-	1	-	-	-	-	13010-ZL8-003	
				-	-	-	-	-	1		A3G9, A4G4, A4G7, A4G9, S4E4
		13010-Z0L-014	.....	-	-	-	-	-	1	13010-ZL8-024	S2E2
E-10	1	14320-ZL8-010	PULLEY COMP., CAMSHAFT .....	-	1	-	-	-	-	14320-ZL8-000	A4G7
	3	14400-ZL9-013	BELT, TIMING (79HU7 G-200) ...	-	1	-	-	-	-	14400-ZL9-003	A4G7
E-11	1		STARTER ASSY., RECOIL (LONG ROPE)							28400-ZM0-633ZC	
			*YR288R*..... WOLF ORANGE	-	-	-	0	-	-		C3E, C4E
			*R280*..... POWER RED	-	0	-	0	-	0	28400-ZM0-633ZD	A4G7, C3E, C4E
	9	28462-ZL8-631	ROPE, RECOIL STARTER (LONG TYPE)	-	1	-	1	-	1	28462-ZL8-003	A3G9, A4G4, A4G9, C3E1, C4E1, S2E2, S3E9, S3G9, S4E4, S4E9 S4G4, S4G9
	15	66871-611-000	NUT, CENTER PANEL .....	-	3	-	3	-	3	66871-KY2-700	A3G9, A4G4, A4G9, C3E1, C4E1, S2E2, S3E9, S3G9, S4E4, S4E9 S4G4, S4G9
E-12	2		COCK ASSY., FUEL .....	-	0	-	-	-	-	16950-ZG9-M03	A3G9
	3		BRACKET, FUEL COCK .....	-	0	-	-	-	-	16956-ZG9-M00	A3G9
	4		CAP ASSY., FUEL TANK .....	-	-	-	0	-	-	17620-ZL8-013	
		17620-Z0M-000	.....	-	-	-	1	-	-		
	5		TUBE, FUEL .....	-	0	-	-	-	-	17702-ZM0-000	A3G9
	6		COVER COMP., FAN							19610-ZM0-010ZB	
			*R8*..... BRIGHT RED	-	-	-	-	-	0		A4G9
			*NH1*..... BLACK	-	0	-	-	-	-	19610-ZM1-010ZA	A4G7
			*R8*..... BRIGHT RED	-	0	-	-	-	-	19610-ZM1-010ZB	A4G7
			*R280*..... POWER RED	-	-	-	0	-	-	19610-Z0L-820ZB	C3E, C4E
			*T89*..... CRAFTSMAN RED	-	-	-	0	-	-	19610-Z0L-820ZC	C3E, C4E
			*T90*..... EHP ORANGE	-	-	-	0	-	-	19610-Z0L-820ZD	C3E, C4E
			*Y166R*..... WOLF YELLOW	-	-	-	0	-	-	19610-Z0L-820ZE	C3E, C4E

PARTS CATALOGUE NEWS

BOOKNo. : 13ZM00E6

Block No.	Ref. No.	Part No.	Description	Reqd. QTY						Base Part No.	Parts catalogue code
				GCV 135	GCV 135 E	GCV 160	GCV 160 A	GCV 135 A	GCV 160 E		
			*R280*.....POWER RED	-	0	-	-	-	-	19610-Z0M-000ZC	
			*R280*.....POWER RED	-	-	-	-	-	0	19610-Z1L-000ZB	A3G9, A4G4, A4G7
		19610-Z1L-000ZB	*R280*.....POWER RED	-	-	-	-	-	1		S2E2, S3E9, S4E9
	12		CLIP, TUBE (B8) .....	-	0	-	-	-	-	95002-02080	A3G9
	14		CLIP, TUBE (C9) .....	-	0	-	-	-	-	95002-50000	A3G9
	31	16950-ZM0-003	COCK ASSY., FUEL .....	-	1	-	-	-	-		A3G9
	32	17702-ZM0-800	TUBE, FUEL .....	-	1	-	-	-	-		A3G9
		17702-ZM0-800	.....	-	-	-	-	-	1	17702-Z0L-801	S2E2
	33	95002-02080	CLIP, TUBE (B8) .....	-	2	-	-	-	-		A3G9
				-	-	-	-	-	2		S2E2
	34		CLAMP, TUBE (D8) .....	-	-	-	-	-	0	95002-40800-08	S2E2
E-14	6		SCREW SET (THROTTLE STOP) ....	-	-	-	-	-	0	16029-ZG0-901	S2E2, S3E9, S4E4, S4E9
	7		CARBURETOR ASSY. (BB62B E) ...	-	-	-	-	-	0	16100-ZM0-804	S2E2, S3E9, S4E4, S4E9
		16100-Z0L-003	CARBURETOR ASSY. (BB62W A) ...	-	-	-	1	-	-	16100-ZM0-804	
				-	-	-	-	-	1		A3G9, A4G4, A4G7, A4G9
		16100-Z0L-871	CARBURETOR ASSY. (BB65E A) ...	-	-	-	-	-	1		S2E2, S3E9, S4E4, S4E9
	8	16155-ZM0-013	VALVE, FLOAT .....	-	1	-	-	-	-	16155-ZM0-013	
				-	-	-	-	-	1		A3G9, A4G4, A4G7, A4G9, S2E2, S4E4
	9		NOZZLE, MAIN .....	-	-	-	-	-	0	16166-ZM0-003	S2E2, S3E9, S4E4, S4E9
		16166-Z0L-841	.....	-	-	-	-	-	1		S2E2, S3E9, S4E4, S4E9
	10		INSULATOR, CARBURETOR .....	-	-	-	-	-	0	16211-ZL8-000	S2E2, S3E9, S4E4, S4E9
	16		JET, MAIN, #62 .....	-	-	-	-	-	(0)	99101-124-0620	S2E2, S3E9, S4E4, S4E9
			JET, MAIN, #65 .....	-	-	-	-	-	0	99101-124-0650	S2E2, S3E9, S4E4, S4E9
		99101-124-0700	JET, MAIN, #70 .....	-	-	-	-	-	1	99101-124-0600	S2E2, S3E9, S4E4, S4E9

PARTS CATALOGUE NEWS

BOOKNo. : 13ZM00E6

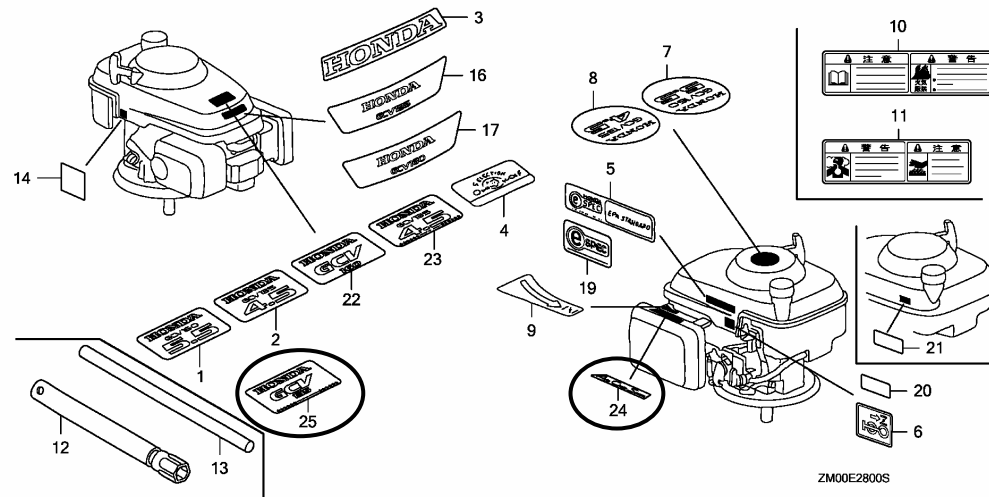
Block No.	Ref. No.	Part No.	Description	Reqd. QTY						Base Part No.	Parts catalogue code
				GCV 135	GCV 135 E	GCV 160	GCV 160 A	GCV 135 A	GCV 160 E		
	21	16600-ZOL-840	CONTROL ASSY., CHOKE .....	-	-	-	-	-	1		S2E2, S3E9, S4E4, S4E9
	23		SCREW SET .....	-	-	-	-	-	0	16016-ZG0-W00	S2E2, S3E9, S4E4, S4E9
E-15	2		ELEMENT, AIR CLEANER .....	-	-	-	-	-	0	17211-ZL8-003	A3G9, S2E2
E-16	9		ARRESTER COMP., SPARK .....	-	-	-	-	-	(0)	18350-ZL8-000	S2E2
	10		PLATE, ARRESTER NUMBER .....	-	-	-	-	-	(0)	18356-ZL8-000	S2E2
	11		SCREW, TAPPING, 4X6 .....	-	-	-	-	-	(0)	90055-ZE1-000	S2E2
E-19	3	30500-ZL8-014	COIL ASSY., IGNITION (TEC) (USE FOR F/W OF TEC)	-	1	-	-	-	1	30500-ZL8-004	
E-22	5		SPRING, LEVER .....	-	-	-	-	-	0	16576-ZE7-300	S2E2, S3E9, S4E4, S4E9
	7		BASE COMP., CONTROL .....	-	-	-	-	-	0	16580-ZM0-871	S2E2, S3E9, S4E4, S4E9
		16580-ZM0-872	.....	-	1	-	1	-	-	16580-ZM0-871	
			.....	-	-	-	-	-	1		A3G9, A4G4, A4G7, A4G9
	9		ROD, CHOKE .....	-	-	-	-	-	0	16674-ZM0-000	S2E2, S3E9, S4E4, S4E9
	17		SPRING, CONTROL ADJUSTING ....	-	-	-	-	-	0	16584-883-300	S2E2, S3E9, S4E4, S4E9
	18		COLLAR, STOPPER .....	-	-	-	-	-	0	16599-ZG1-M10	S2E2, S3E9, S4E4, S4E9
	19		SCREW, RECESSED, 5X28 .....	-	-	-	-	-	0	90016-ZE7-W00	S2E2, S3E9, S4E4, S4E9
	20	16580-ZOM-811	BASE COMP., CONTROL .....	-	-	-	-	-	1		S2E2, S3E9, S4E4, S4E9
	21	16584-883-300	SPRING, CONTROL ADJUSTING ....	-	-	-	-	-	1		S2E2, S3E9, S4E4, S4E9
	22	16599-ZG1-M10	COLLAR, STOPPER .....	-	-	-	-	-	1		S2E2, S3E9, S4E4, S4E9
	23	90016-ZE7-W00	SCREW, RECESSED, 5X28 .....	-	-	-	-	-	1		S2E2, S3E9, S4E4, S4E9
E-27	1		GROMMET, CHOKE ROD .....	-	-	-	-	-	0	16613-883-610	S4G4
	2		COVER, TOP							19721-ZOL-000ZB	
			*NH246*..... LOOSEY GRAY	-	-	-	0	-	-		C3E1, C4E1
			*R280R*..... POWER RED	-	-	-	0	-	-	19721-ZOL-000ZC	C3E1, C4E1
			*NH1*..... BLACK	-	-	-	-	-	0	19721-ZOM-000ZA	S4G4

PARTS CATALOGUE NEWS

BOOKNo. : 13ZM00E6

Block No.	Ref. No.	Part No.	Description	Reqd. QTY						Base Part No.	Parts catalogue code
				GCV 135	GCV 135 E	GCV 160	GCV 160 A	GCV 135 A	GCV 160 E		
			*NH246*..... LOOSEY GRAY	-	0	-	-	-	0	19721-ZOM-000ZB	A4G9, S4G4
			*R280*..... POWER RED	-	0	-	-	-	0	19721-ZOM-000ZE	A3G9, A4G9, S4G4
		19721-ZOM-000ZB	*NH246*..... LOOSEY GRAY	-	-	-	-	-	1		S2E2, S3E9, S4E9
		19721-ZOM-000ZE	*R280*..... POWER RED	-	-	-	-	-	1		S2E2, S3E9, S4E9
	3		SCREW, TAPPING, 4X16 .....	-	-	-	-	-	0	90137-SH3-000	S4G4

E-28 LABEL/TOOL



E-28	1		MARK, EMBLEM (GCV160 5.5) ....	-	-	-	-	-	0	87101-ZM0-010	A3G9, A4G7, A4G9, S2E2
			.....	-	-	-	-	-	0	87101-ZM0-800	S3E9, S4E9
	2		MARK, EMBLEM (GCV135 4.5) ....	-	0	-	-	-	-	87101-ZM1-000	A4G9
			.....	-	0	-	-	-	-	87101-ZM1-010	A3G9, A4G7
	16	87102-ZOM-V62	MARK, EMBLEM (GCV135) .....	-	1	-	-	-	-	87102-ZOM-V60	A4G4
	17	87102-Z1L-V52	MARK, EMBLEM (GCV160) .....	-	-	-	-	-	1		S4G4
		87102-Z1L-V52	.....	-	-	-	-	-	1	87102-Z1L-V50	A4G4, S4E4

PARTS CATALOGUE NEWS

BOOKNo. : 13ZM00E6

Block No.	Ref. No.	Part No.	Description	Reqd. QTY						Base Part No.	Parts catalogue code
				GCV 135	GCV 135 E	GCV 160	GCV 160 A	GCV 135 A	GCV 160 E		
	20	87114-ZH7-840	LABEL, WARNING (NOT CERTIFIED FOR SALE)	-	1	-	1	-	-		
				-	-	-	-	-	1		A3G9, S2E2
	21		LABEL, WARNING (NOT CERTIFIED FOR SALE)	-	-	-	0	-	-	87114-ZH7-840	
	22		MARK, EMBLEM (GCV160) .....	-	-	-	-	-	0	87101-ZM0-801	S4G4
		87101-ZM0-801	.....	-	-	-	-	-	1		A3G9, A4G7, A4G9, S2E2, S3E9, S4E9
	24	87529-Z0Y-840	MARK, AUTO CHOKE .....	-	-	-	-	-	1		S2E2, S3E9, S4E4, S4E9
	25	87101-ZM1-801	MARK, EMBLEM (GCV135) .....	-	1	-	-	-	-		A3G9, A4G7, A4G9



# PARTS CATALOGUE NEWS

Honda Motor Co., Ltd. Service Division

## PARTS CATALOGUE - CORRECTED

Printed in Japan

CODE NO.	BOOKLET TYPE	13ZM00E6
	MICRO-FICHE	13ZM00EF/FF
PARTS CATALOGUE NEWS	GCV135 GCV135E GCV160 GCV160A GCV135A GCV160E	
NEWS NO.	050	

Block No.	Ref. No.	Note	Part No.	Description	Reqd. QTY						Serial No.	Parts catalogue code
					GCV 135	GCV 135 E	GCV 160	GCV 160 A	GCV 135 A	GCV 160 E		
E-12	6	T	19610-ZOM-000ZC	COVER COMP., FAN	-	1	-	-	-	-	-----	A1G9, A2G4, A2R, A4G9, N1U
				*R280*..... POWER RED	-	1	-	-	-	-	1688158	A1E, A1E7, A1E8, A2E, A2E7, A2E8, A2E9, A2G7, A2G9 N1E, N1S, N1W, N2E, N2E1, N2E3, N2E7, N2E8, N2E9
		T	19610-Z1L-000ZB	*R280*..... POWER RED	-	-	-	-	-	1	-----	A1G9, A2G4, A2R, A4G9, N1D, N1E1, N1E2, N1J1, N1R S2E2, S2E3, S3E9, S3G9, S4E4, S4E9, S4G4, S4G9
					-	-	-	-	-	1	1215356	A1E7, A1E8, A2E7, A2E8, A2E9, A2G7, N1E7, N1W7 N2E7, N2E8, N2E9
E-27	2	T	19721-ZOM-000ZE	COVER, TOP	-	1	-	-	-	1	-----	A1G9, A4G9, S2E2, S2E3, S3E9, S3G9, S4E9, S4G9
				*R280*..... POWER RED	-	1	-	-	-	-	1695818	A2G9
					-	-	-	-	-	1	1196410	A2G9, S2E1

NOTE A:PART NO. CHANGE D:NEWLY PROVIDED E:PART NO. DELETION K:REQUIRED NO. CORRECTION L:APPLICATION SERIAL NO. CORRECTION  
T:APPLICATION CORRECTION Z:REMARKS CHANGE





# PARTS CATALOGUE NEWS

Honda Motor Co., Ltd. Service Division

## PARTS CATALOGUE - CORRECTED

Printed in Japan

CODE NO.	BOOKLET TYPE	13ZM00E6
	MICRO-FICHE	13ZM00EF/FF
PARTS CATALOGUE NEWS	GCV135 GCV135E GCV160 GCV160A GCV135A GCV160E	
NEWS NO.	051	

Block No.	Ref. No.	Note	Part No.	Description	Reqd. QTY						Serial No.	Parts catalogue code	
					GCV 135	GCV 135 E	GCV 160	GCV 160 A	GCV 135 A	GCV 160 E			
E-12	11	L	95001-55150-40	TUBE, FUEL, 5.3X150 (95001-55001-60M)	-	-	1	1	-	1	-----	-----	A1E, A1G7, A1M, A1P, A3E, C1E, C1E1, C2E, C2E1, C3E, C3E1, C4E, C4E1, EHHB, E1A2, E1A4, E1G7, E2G7, E5A4, N1D, N1E1, N1E2, N1J1, N1L, N1R, N3U, RTL1, R1A, R3A, R3A1, STL1, S2G7, S3H2
					-	-	1	-	-	1	-----	-----	A1A, A1C, A1E7, A1E8, A1G9, A1J, A1U, A1W2, A1W7, A2A, A2A9, A2C, A2E, A2E4, A2E7, A2E8, A2E9, A2G4, A2G7, A2G9, A2R, A2U, A3E7, A3E9, A3G9, A3T9, A3W7, A3W8, A4E, A4G4, A4G7, A4G9, N1, N1E7, N1T8, N1T9, N1U, N1W, N1W1, N1W2, N1W7, N1W8, N1W9, N2, N2D, N2E, N2E1, N2E2, N2E3, N2E7, N2E8, N2E9, N2U, N3T8, N3T9, N3V, N3W8, N3W9, S1E1, S2E, S2E1, S2E2, S2E3, S3E9, S3G9, S4E4, S4E9, S4G4, S4G9
					-	-	-	1	-	-	-----	3698326	NBL1
					-	-	-	1	-	-	-----	4803407	S3A2, S3H
					-	-	-	1	-	-	2510375	-----	A1E7, A1E8, A1W7, A2E7, A2E8, A2E9, A2G7, N1E7, N1U, N1W7, N1W8, N1W9, N2E7, N2E8, N2E9, N2U, N3V, STA1, S1A, S1A1, S3A
					-	-	-	1	-	-	2510375	3698326	A1A, A1AS, A1C, A2A, A2C, A2R, BHH, N1A, N1C, N5A, N5C
					-	-	-	1	-	-	2510375	4062255	A1AE, A1AF, A3A, N1AF, N5AF

NOTE A:PART NO. CHANGE D:NEWLY PROVIDED E:PART NO.DELETION K:REQUIRED NO. CORRECTION L:APPLICATION SERIAL NO. CORRECTION  
T:APPLICATION CORRECTION Z:REMARKS CHANGE

PARTS CATALOGUE NEWS

BOOKNo. : 13ZM00E6

Block No.	Ref. No.	Note	Part No.	Description	Reqd. QTY						Serial No.	Parts catalogue code
					GCV 135	GCV 135 E	GCV 160	GCV 160 A	GCV 135 A	GCV 160 E		
		T	91425-ZOL-801	TUBE, FUEL, 5. 3X150 (FKM) .....	-	-	-	1	-	-	-----	BHH1, N5MF, N5R, S1M
					-	-	-	1	-	-	3698327	A1A, A1AS, A1C, A2A, A2C, A2R, BHH, NBL1, N1A, N1C N5A, N5C
					-	-	-	1	-	-	4062256	A1AE, A1AF, A3A, N1AF, N5AF
					-	-	-	1	-	-	4803408	S3A2, S3H
	13	L	95002-02100	CLIP, TUBE (B10) .....	2	2	2	2	-	2	-----	A1E, A1E7, A1E8, A1M, A1W7, A2E7, A2E8, A2E9, A2G7 A3E, C1E, C1E1, C2E, C2E1, C3E, C3E1, C4E, C4E1 EHHB, E1A2, E1A4, E1G7, E2G7, E5A4, N1E1, N1E7, N1L N1R, N1U, N1W7, N1W8, N1W9, N2E7, N2E8, N2E9, N2U N3U, N3V, RTL1, R1A, R3A, R3A1, STA1, STL1, S1A S1A1, S2G7, S3A, S3H2
					2	2	2	-	-	2	-----	A1A, A1C, A1D, A1E1, A1G7, A1G9, A1J, A1P, A1U, A1W2 A2A, A2A9, A2C, A2D, A2E, A2E1, A2E4, A2G, A2G4 A2G9, A2U, A3E7, A3E9, A3G9, A3T9, A3W7, A3W8, A4E A4G4, A4G7, A4G9, N1, N1D, N1E, N1E2, N1G, N1J1, N1S N1S7, N1T8, N1T9, N1W, N1W1, N1W2, N2, N2D, N2E N2E1, N2E2, N2E3, N2KE, N3T8, N3T9, N3W8, N3W9 S1E1, S2E, S2E1, S2E2, S2E3, S3E9, S3G9, S4E4, S4E9 S4G4, S4G9
					2	-	2	-	-	2	-----	A2R
					-	2	-	-	-	-	-----	2363395 A2R, N2KA
					-	-	-	2	-	-	-----	3698326 A1A, A1AS, A1C, A2A, A2C, A2R, BHH, NBL1, N1A, N1C N5A, N5C
					-	-	-	2	-	-	-----	4062255 A1AE, A1AF, A3A, N1AF, N5AF
					-	-	-	2	-	-	-----	4803407 S3A2, S3H
					-	-	-	-	2	-		
					-	2	-	2	-	2	-----	A3G9, A4G4, A4G7, A4G9, C3E, C3E1, C4E, C4E1, S2E2 S3E9, S3G9, S4E4, S4E9, S4G4, S4G9
	32	L	17702-ZM0-800	TUBE, FUEL .....	1	-	-	-	-	-	1623713	A1A, A1C, A1E, A1E7, A1E8, A2A, A2C, A2E, A2E4, A2E7 A2E8, A2E9, A2G, A2G7, A2R, A7E1, N1D, N1G, N1S N1S7, N1U, N1W, N1W1, N1W7, N1W8, N2E, N2E1, N2E7 N2E8, N2E9, N2U, N7E1, N7E2
					-	1	-	1	-	1	-----	A2G4, A3G9, A4G4, A4G7, A4G9, N1E1, N1R, N2KE

NOTE A:PART NO. CHANGE D:NEWLY PROVIDED E:PART NO. DELETION K:REQUIRED NO. CORRECTION L:APPLICATION SERIAL NO. CORRECTION  
T:APPLICATION CORRECTION Z:REMARKS CHANGE

PARTS CATALOGUE NEWS

BOOKNo. : 13ZM00E6

Block No.	Ref. No.	Note	Part No.	Description	Reqd. QTY						Serial No.	Parts catalogue code		
					GCV 135	GCV 135 E	GCV 160	GCV 160 A	GCV 135 A	GCV 160 E				
					-	1	-	-	-	-	-	-----	-----	N1U
					-	1	-	-	-	-	-	-----	2363395	A2R, N2KA
					-	1	-	-	-	-	-	1694819	-----	A1E, A1E7, A1E8, A2E, A2E7, A2E8, A2E9, A2G7, A2G9 A7E1, N1E, N1S, N1S7, N1W, N1W7, N1W8, N2E, N2E1 N2E3, N2E7, N2E8, N2E9, N7E1, N7E2, S2E, S2E1
					-	-	1	-	-	1	-	-----	-----	N1J1
					-	-	1	-	-	-	-	2439089	-----	A1A, A1C, A1E, A1E7, A1E8, A1G7, A1P, A1W2, A1W7 A2A, A2C, A2E, A2E4, A2E7, A2E8, A2E9, A2G7, A2R A3E, A7E1, N1, N1D, N1E1, N1E2, N1E7, N1R, N1U, N1W N1W1, N1W2, N1W7, N1W8, N1W9, N2, N2E, N2E1, N2E3 N2E7, N2E8, N2E9, N2U, N3U, N3V, N7A1
					-	-	-	1	-	1	-	-----	-----	A1E, A1G9, A1M, A1P, A3E, A3E7, A3E9, A3T9, A3W7 A3W8, C1E, C1E1, C2E, C2E1, C3E, C3E1, C4E, C4E1 EHHB, E1A2, E1A4, E1G7, E2G7, E5A4, N1D, N1E2, N1L N1T8, N1T9, N3T8, N3T9, N3U, N3W8, N3W9, N7S1, RTL1 R1A, R3A, R3A1, STL1, S1E1, S2E2, S2E3, S2G7, S3E9 S3G9, S3H2, S4E4, S4E9, S4G4, S4G9
					-	-	-	1	-	-	-	-----	3698326	NBL1
					-	-	-	1	-	-	-	-----	4803407	S3A2, S3H
					-	-	-	1	-	-	-	2510375	-----	A1E7, A1E8, A1W7, A2E7, A2E8, A2E9, A2G7, A7E1 N1E7, N1U, N1W7, N1W8, N1W9, N2E7, N2E8, N2E9, N2U N3V, N7A1, STA1, S1A, S1A1, S3A
					-	-	-	1	-	-	-	2510375	3698326	A1A, A1AS, A1C, A2A, A2C, A2R, BHH, N1A, N1C, N5A, N5C
					-	-	-	1	-	-	-	2510375	4062255	A1AE, A1AF, A3A, N1AF, N5AF
					-	-	-	-	-	1	-	-----	1762462	A2A9, A2R
					-	-	-	-	-	1	-	1197182	-----	A1E7, A1E8, A1G7, A1W7, A2E7, A2E8, A2E9, A2G7 A2G9, A7E1, N1E7, N1W7, N1W8, N1W9, N2E7, N2E8 N2E9, S2E, S2E1
					-	-	-	-	-	1	-	1197182	1762462	N7A1
		T	17702-ZOL-801	TUBE, FUEL (FKM) .....	-	1	-	-	-	-	-	2363396	-----	A2R, N2KA
					-	-	-	1	-	-	-	-----	-----	BHH1, N5MF, N5R, S1M

NOTE A:PART NO. CHANGE D:NEWLY PROVIDED E:PART NO. DELETION K:REQUIRED NO. CORRECTION L:APPLICATION SERIAL NO. CORRECTION  
T:APPLICATION CORRECTION Z:REMARKS CHANGE

PARTS CATALOGUE NEWS

BOOKNo. : 13ZM00E6

Block No.	Ref. No.	Note	Part No.	Description	Reqd. QTY						Serial No.	Parts catalogue code
					GCV 135	GCV 135 E	GCV 160	GCV 160 A	GCV 135 A	GCV 160 E		
					-	-	-	1	-	-	3698327	A1A, A1AS, A1C, A2A, A2C, A2R, BHH, NBL1, N1A, N1C N5A, N5C
					-	-	-	1	-	-	4062256	A1AE, A1AF, A3A, N1AF, N5AF
					-	-	-	1	-	-	4803408	S3A2, S3H
					-	-	-	-	-	1	1762463	A2A9, A2R, N7A1
	33	L	95002-02080	CLIP, TUBE (B8) .....	2	-	-	-	-	-	1623713	A1A, A1C, A1E, A1E7, A1E8, A2A, A2C, A2E, A2E4, A2E7 A2E8, A2E9, A2G, A2G7, A2R, A7E1, N1D, N1G, N1S N1S7, N1U, N1W, N1W1, N1W7, N1W8, N2E, N2E1, N2E7 N2E8, N2E9, N2U, N7E1, N7E2
					-	2	-	2	-	2	-----	A2G4, A3G9, A4G4, A4G7, A4G9, N1E1, N1R, N2KE
					-	2	-	-	-	-	-----	N1U
					-	2	-	-	-	-	-----	2363395 A2R, N2KA
					-	2	-	-	-	-	1694819	A1E, A1E7, A1E8, A2E, A2E7, A2E8, A2E9, A2G7, A2G9 A7E1, N1E, N1S, N1S7, N1W, N1W7, N1W8, N2E, N2E1 N2E3, N2E7, N2E8, N2E9, N7E1, N7E2, S2E, S2E1
					-	-	2	-	-	2	-----	N1J1
					-	-	2	-	-	-	2439089	A1A, A1C, A1E, A1E7, A1E8, A1G7, A1P, A1W2, A1W7 A2A, A2C, A2E, A2E4, A2E7, A2E8, A2E9, A2G7, A2R A3E, A7E1, N1, N1D, N1E1, N1E2, N1E7, N1R, N1U, N1W N1W1, N1W2, N1W7, N1W8, N1W9, N2, N2E, N2E1, N2E3 N2E7, N2E8, N2E9, N2U, N3U, N3V, N7A1
					-	-	-	2	-	2	-----	A1E, A1G9, A1M, A1P, A3E, A3E7, A3E9, A3T9, A3W7 A3W8, C1E, C1E1, C2E, C2E1, C3E, C3E1, C4E, C4E1 EHHB, E1A2, E1A4, E1G7, E2G7, E5A4, N1D, N1E2, N1L N1T8, N1T9, N3T8, N3T9, N3U, N3W8, N3W9, N7S1, RTL1 R1A, R3A, R3A1, STL1, S1E1, S2E2, S2E3, S2G7, S3E9 S3G9, S3H2, S4E4, S4E9, S4G4, S4G9
					-	-	-	2	-	-	-----	3698326 NBL1
					-	-	-	2	-	-	-----	4803407 S3A2, S3H
					-	-	-	2	-	-	2510375	A1E7, A1E8, A1W7, A2E7, A2E8, A2E9, A2G7, A7E1 N1E7, N1U, N1W7, N1W8, N1W9, N2E7, N2E8, N2E9, N2U N3V, N7A1, STA1, S1A, S1A1, S3A
					-	-	-	2	-	-	2510375 3698326	A1A, A1AS, A1C, A2A, A2C, A2R, BHH, N1A, N1C, N5A, N5C

NOTE A:PART NO. CHANGE D:NEWLY PROVIDED E:PART NO. DELETION K:REQUIRED NO. CORRECTION L:APPLICATION SERIAL NO. CORRECTION  
T:APPLICATION CORRECTION Z:REMARKS CHANGE

PARTS CATALOGUE NEWS

BOOKNo. : 13ZM00E6

Block No.	Ref. No.	Note	Part No.	Description	Reqd. QTY						Serial No.		Parts catalogue code
					GCV 135	GCV 135 E	GCV 160	GCV 160 A	GCV 135 A	GCV 160 E			
					-	-	-	2	-	-	2510375	4062255	A1AE, A1AF, A3A, N1AF, N5AF
					-	-	-	-	-	2	-----	1762462	A2A9, A2R
					-	-	-	-	-	2	1197182	-----	A1E7, A1E8, A1G7, A1W7, A2E7, A2E8, A2E9, A2G7 A2G9, A7E1, N1E7, N1W7, N1W8, N1W9, N2E7, N2E8 N2E9, S2E, S2E1
					-	-	-	-	-	2	1197182	1762462	N7A1
	34	T	95002-40800-08	CLAMP, TUBE (D8) .....	-	2	-	-	-	-	2363396	-----	A2R, N2KA
					-	-	-	2	-	-	-----	-----	BHH1, N5MF, N5R, S1M
					-	-	-	2	-	-	3698327	-----	A1A, A1AS, A1C, A2A, A2C, A2R, BHH, NBL1, N1A, N1C N5A, N5C
					-	-	-	2	-	-	4062256	-----	A1AE, A1AF, A3A, N1AF, N5AF
					-	-	-	2	-	-	4803408	-----	S3A2, S3H
					-	-	-	-	-	2	1762463	-----	A2A9, A2R, N7A1
	35	T	95002-41000-08	CLAMP, TUBE (D10) .....	-	2	-	-	-	-	2363396	-----	A2R, N2KA
					-	-	-	2	-	-	-----	-----	BHH1, N5MF, N5R, S1M
					-	-	-	2	-	-	3698327	-----	A1A, A1AS, A1C, A2A, A2C, A2R, BHH, NBL1, N1A, N1C N5A, N5C
					-	-	-	2	-	-	4062256	-----	A1AE, A1AF, A3A, N1AF, N5AF
					-	-	-	2	-	-	4803408	-----	S3A2, S3H
E-28	20	L	87114-Z3E-000	LABEL, WARNING (NOT CERTIFIED FOR SALE)	-	1	-	-	-	-	2363396	-----	N2KA, N7E1, N7E2
					-	-	-	-	-	1	1764463	-----	N7A1

NOTE A:PART NO. CHANGE D:NEWLY PROVIDED E:PART NO.DELETION K:REQUIRED NO. CORRECTION L:APPLICATION SERIAL NO. CORRECTION  
T:APPLICATION CORRECTION Z:REMARKS CHANGE



# PARTS CATALOGUE NEWS

Honda Motor Co., Ltd. Service Division

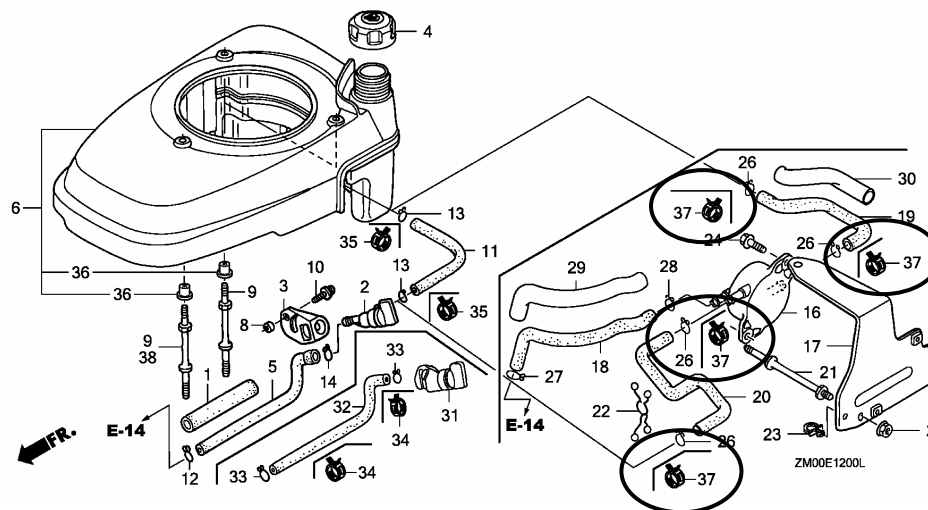
## PARTS CATALOGUE - CORRECTED

Printed in Japan

CODE NO.	BOOKLET TYPE	13ZM00E6
	MICRO-FICHE	13ZM00EF/FF
PARTS CATALOGUE NEWS		GCV135 GCV135E GCV160 GCV160A GCV135A GCV160E
NEWS NO.		052

Block No.	Ref. No.	Note	Part No.	Description	Reqd. QTY			Serial No.	Parts catalogue code
					GCV 135	GCV 135 E	GCV 160		

E-12 FAN COVER



NOTE A:PART NO. CHANGE D:NEWLY PROVIDED E:PART NO.DELETION K:REQUIRED NO. CORRECTION L:APPLICATION SERIAL NO. CORRECTION  
T:APPLICATION CORRECTION Z:REMARKS CHANGE

PARTS CATALOGUE NEWS

BOOKNo. : 13ZM00E6

Block No.	Ref. No.	Note	Part No.	Description	Reqd. QTY						Serial No.	Parts catalogue code						
					GCV 135	GCV 135 E	GCV 160	GCV 160 A	GCV 135 A	GCV 160 E								
E-12	11	L	95001-55150-40	TUBE, FUEL, 5. 3X150 (95001-55001-60M)	-	-	1	1	-	1	-----	-----	A1E, A1G7, A1M, A1P, A3E, C1E, C1E1, C2E, C2E1, C3E, C3E1, C4E, C4E1, EHHB, E1A2, E1A4, E1G7, E2G7, E5A4, N1D, N1E1, N1E2, N1J1, N1L, N1R, N3U, S2G7, S3H2					
					-	-	1	-	-	1	-----	-----	A1A, A1C, A1E7, A1E8, A1G9, A1J, A1U, A1W2, A1W7, A2A, A2A9, A2C, A2E, A2E4, A2E7, A2E8, A2E9, A2G4, A2G7, A2G9, A2R, A2U, A3E7, A3E9, A3G9, A3T9, A3W7, A3W8, A4E, A4G4, A4G7, A4G9, N1, N1E7, N1T8, N1T9, N1U, N1W, N1W1, N1W2, N1W7, N1W8, N1W9, N2, N2D, N2E, N2E1, N2E2, N2E3, N2E7, N2E8, N2E9, N2U, N3T8, N3T9, N3V, N3W8, N3W9, S1E1, S2E, S2E1, S2E2, S2E3, S3E9, S3G9, S4E4, S4E9, S4G4, S4G9					
					-	-	-	1	-	-	-----	3698326	NBL1					
					-	-	-	1	-	-	-----	4030139	RTL1, R1A, R3A, R3A1, STL1					
					-	-	-	1	-	-	-----	4803407	S3A2, S3H					
					-	-	-	1	-	-	2510375	-----	A1E7, A1E8, A1W7, A2E7, A2E8, A2E9, A2G7, N1E7, N1U, N1W7, N1W8, N1W9, N2E7, N2E8, N2E9, N2U, N3V					
					-	-	-	1	-	-	2510375	3698326	A1A, A1AS, A1C, A2A, A2C, A2R, BHH, N1A, N1C, N5A, N5C					
					-	-	-	1	-	-	2510375	4030139	STA1, S1A, S1A1, S3A					
					-	-	-	1	-	-	2510375	4062255	A1AE, A1AF, A3A, N1AF, N5AF					
						T		91425-ZOL-801	TUBE, FUEL, 5. 3X150 (FKM) . . . . .	-	-	-	1	-	-	-----	-----	BHH1, N5MF, N5R, S1M
-	-	-	1	-						-	3698327	-----	A1A, A1AS, A1C, A2A, A2C, A2R, BHH, NBL1, N1A, N1C, N5A, N5C					
-	-	-	1	-						-	4030140	-----	RTL1, R1A, R3A, R3A1, STA1, STL1, S1A, S1A1, S3A					
-	-	-	1	-						-	4062256	-----	A1AE, A1AF, A3A, N1AF, N5AF					
-	-	-	1	-						-	4803408	-----	S3A2, S3H					
13	L		95002-02100	CLIP, TUBE (B10) . . . . .						2	2	2	2	-	2	-----	-----	A1E, A1E7, A1E8, A1M, A1W7, A2E7, A2E8, A2E9, A2G7, A3E, C1E, C1E1, C2E, C2E1, C3E, C3E1, C4E, C4E1, EHHB, E1A2, E1A4, E1G7, E2G7, E5A4, N1E1, N1E7, N1L, N1R, N1U, N1W7, N1W8, N1W9, N2E7, N2E8, N2E9, N2U, N3U, N3V, S2G7, S3H2

NOTE A:PART NO. CHANGE D:NEWLY PROVIDED E:PART NO.DELETION K:REQUIRED NO. CORRECTION L:APPLICATION SERIAL NO. CORRECTION  
T:APPLICATION CORRECTION Z:REMARKS CHANGE

PARTS CATALOGUE NEWS

BOOKNo. : 13ZM00E6

Block No.	Ref. No.	Note	Part No.	Description	Reqd. QTY						Serial No.	Parts catalogue code	
					GCV 135	GCV 135 E	GCV 160	GCV 160 A	GCV 135 A	GCV 160 E			
					2	2	2	-	-	2	-----	-----	A1A, A1C, A1D, A1E1, A1G7, A1G9, A1J, A1P, A1U, A1W2 A2A, A2A9, A2C, A2D, A2E, A2E1, A2E4, A2G, A2G4 A2G9, A2U, A3E7, A3E9, A3G9, A3T9, A3W7, A3W8, A4E A4G4, A4G7, A4G9, N1, N1D, N1E, N1E2, N1G, N1J1, N1S N1S7, N1T8, N1T9, N1W, N1W1, N1W2, N2, N2D, N2E N2E1, N2E2, N2E3, N2KE, N3T8, N3T9, N3W8, N3W9 S1E1, S2E, S2E1, S2E2, S2E3, S3E9, S3G9, S4E4, S4E9 S4G4, S4G9
					2	-	2	-	-	2	-----	-----	A2R
					-	2	-	-	-	-	-----	2363395	A2R, N2KA
					-	-	-	2	-	-	-----	3698326	A1A, A1AS, A1C, A2A, A2C, A2R, BHH, NBL1, N1A, N1C N5A, N5C
					-	-	-	2	-	-	-----	4030139	RTL1, R1A, R3A, R3A1, STA1, STL1, S1A, S1A1, S3A
					-	-	-	2	-	-	-----	4062255	A1AE, A1AF, A3A, N1AF, N5AF
					-	-	-	2	-	-	-----	4803407	S3A2, S3H
					-	-	-	-	2	-			
	19		17701-Z0M-780	TUBE, FUEL TANK .....	1	1	1	1	-	1	-----	-----	A7E1, N7E1, N7E2, N7S1
					-	-	1	-	-	1	-----	-----	N7A1
					-	-	-	1	-	-	-----	4029852	N7A1
	A		17701-Z0L-771	TUBE, FUEL TANK (FKM) .....	-	-	-	1	-	-	4029853	-----	N7A1
	20		17703-Z0L-790	TUBE B, FUEL .....	-	-	-	1	-	-	-----	-----	N7S1
					-	-	-	1	-	-	2642931	-----	A7E1
					-	-	-	1	-	-	2642931	4029852	N7A1
	A		17703-Z0L-771	TUBE B, FUEL (FKM) .....	-	-	-	1	-	-	4029853	-----	N7A1
	26	L	95002-02100	CLIP, TUBE (B10) .....	4	4	4	4	-	4	-----	-----	A7E1, N7E1, N7E2, N7S1
					-	-	4	-	-	4	-----	-----	N7A1
					-	-	-	4	-	-	-----	4029852	N7A1

NOTE A:PART NO. CHANGE D:NEWLY PROVIDED E:PART NO.DELETION K:REQUIRED NO. CORRECTION L:APPLICATION SERIAL NO. CORRECTION  
T:APPLICATION CORRECTION Z:REMARKS CHANGE



PARTS CATALOGUE NEWS

BOOKNo. : 13ZM00E6

Block No.	Ref. No.	Note	Part No.	Description	Reqd. QTY						Serial No.	Parts catalogue code
					GCV 135	GCV 135 E	GCV 160	GCV 160 A	GCV 135 A	GCV 160 E		
	32	L	17702-ZMO-800	TUBE, FUEL .....	1	-	-	-	-	-	1623713	A1A, A1C, A1E, A1E7, A1E8, A2A, A2C, A2E, A2E4, A2E7 A2E8, A2E9, A2G, A2G7, A2R, A7E1, N1D, N1G, N1S N1S7, N1U, N1W, N1W1, N1W7, N1W8, N2E, N2E1, N2E7 N2E8, N2E9, N2U, N7E1, N7E2
					-	1	-	1	-	1	-----	A2G4, A3G9, A4G4, A4G7, A4G9, N1E1, N1R, N2KE
					-	1	-	-	-	-	-----	N1U
					-	1	-	-	-	-	-----	2363395 A2R, N2KA
					-	1	-	-	-	-	1694819	A1E, A1E7, A1E8, A2E, A2E7, A2E8, A2E9, A2G7, A2G9 A7E1, N1E, N1S, N1S7, N1W, N1W7, N1W8, N2E, N2E1 N2E3, N2E7, N2E8, N2E9, N7E1, N7E2, S2E, S2E1
					-	-	1	-	-	1	-----	N1J1
					-	-	1	-	-	-	2439089	A1A, A1C, A1E, A1E7, A1E8, A1G7, A1P, A1W2, A1W7 A2A, A2C, A2E, A2E4, A2E7, A2E8, A2E9, A2G7, A2R A3E, A7E1, N1, N1D, N1E1, N1E2, N1E7, N1R, N1U, N1W N1W1, N1W2, N1W7, N1W8, N1W9, N2, N2E, N2E1, N2E3 N2E7, N2E8, N2E9, N2U, N3U, N3V, N7A1
					-	-	-	1	-	1	-----	A1E, A1G9, A1M, A1P, A3E, A3E7, A3E9, A3T9, A3W7 A3W8, C1E, C1E1, C2E, C2E1, C3E, C3E1, C4E, C4E1 EHHB, E1A2, E1A4, E1G7, E2G7, E5A4, N1D, N1E2, N1L N1T8, N1T9, N3T8, N3T9, N3U, N3W8, N3W9, N7S1, R3A1 S1E1, S2E2, S2E3, S2G7, S3E9, S3G9, S3H2, S4E4 S4E9, S4G4, S4G9
					-	-	-	1	-	-	-----	3698326 NBL1
					-	-	-	1	-	-	-----	4030139 RTL1, R1A, R3A, STL1
					-	-	-	1	-	-	-----	4803407 S3A2, S3H
					-	-	-	1	-	-	2510375	A1E7, A1E8, A1W7, A2E7, A2E8, A2E9, A2G7, A7E1 N1E7, N1U, N1W7, N1W8, N1W9, N2E7, N2E8, N2E9, N2U N3V
					-	-	-	1	-	-	2510375	3698326 A1A, A1AS, A1C, A2A, A2C, A2R, BHH, N1A, N1C, N5A, N5C
					-	-	-	1	-	-	2510375	4029852 N7A1
					-	-	-	1	-	-	2510375	4030139 STA1, S1A, S1A1, S3A
					-	-	-	1	-	-	2510375	4062255 A1AE, A1AF, A3A, N1AF, N5AF

NOTE A:PART NO. CHANGE D:NEWLY PROVIDED E:PART NO.DELETION K:REQUIRED NO. CORRECTION L:APPLICATION SERIAL NO. CORRECTION  
T:APPLICATION CORRECTION Z:REMARKS CHANGE

PARTS CATALOGUE NEWS

BOOKNo. : 13ZM00E6

Block No.	Ref. No.	Note	Part No.	Description	Reqd. QTY						Serial No.	Parts catalogue code
					GCV 135	GCV 135 E	GCV 160	GCV 160 A	GCV 135 A	GCV 160 E		
					-	-	-	-	-	1	----- 1762462	A2A9, A2R
					-	-	-	-	-	1	1197182 -----	A1E7, A1E8, A1G7, A1W7, A2E7, A2E8, A2E9, A2G7 A2G9, A7E1, N1E7, N1W7, N1W8, N1W9, N2E7, N2E8 N2E9, S2E, S2E1
					-	-	-	-	-	1	1197182 1762462	N7A1
		T	17702-Z0L-801	TUBE, FUEL (FKM) .....	-	1	-	-	-	-	2363396 -----	A2R, N2KA
					-	-	-	1	-	-	-----	BHH1, N5MF, N5R, S1M
					-	-	-	1	-	-	3698327 -----	A1A, A1AS, A1C, A2A, A2C, A2R, BHH, NBL1, N1A, N1C N5A, N5C
					-	-	-	1	-	-	4029853 -----	N7A1
					-	-	-	1	-	-	4030140 -----	RTL1, R1A, R3A, STA1, STL1, S1A, S1A1, S3A
					-	-	-	1	-	-	4062256 -----	A1AE, A1AF, A3A, N1AF, N5AF
					-	-	-	1	-	-	4803408 -----	S3A2, S3H
					-	-	-	-	-	1	1762463 -----	A2A9, A2R, N7A1
	33	L	95002-02080	CLIP, TUBE (B8) .....	2	-	-	-	-	-	1623713 -----	A1A, A1C, A1E, A1E7, A1E8, A2A, A2C, A2E, A2E4, A2E7 A2E8, A2E9, A2G, A2G7, A2R, A7E1, N1D, N1G, N1S N1S7, N1U, N1W, N1W1, N1W7, N1W8, N2E, N2E1, N2E7 N2E8, N2E9, N2U, N7E1, N7E2
					-	2	-	2	-	2	-----	A2G4, A3G9, A4G4, A4G7, A4G9, N1E1, N1R, N2KE
					-	2	-	-	-	-	-----	N1U
					-	2	-	-	-	-	----- 2363395	A2R, N2KA
					-	2	-	-	-	-	1694819 -----	A1E, A1E7, A1E8, A2E, A2E7, A2E8, A2E9, A2G7, A2G9 A7E1, N1E, N1S, N1S7, N1W, N1W7, N1W8, N2E, N2E1 N2E3, N2E7, N2E8, N2E9, N7E1, N7E2, S2E, S2E1
					-	-	2	-	-	2	-----	N1J1
					-	-	2	-	-	-	2439089 -----	A1A, A1C, A1E, A1E7, A1E8, A1G7, A1P, A1W2, A1W7 A2A, A2C, A2E, A2E4, A2E7, A2E8, A2E9, A2G7, A2R A3E, A7E1, N1, N1D, N1E1, N1E2, N1E7, N1R, N1U, N1W N1W1, N1W2, N1W7, N1W8, N1W9, N2, N2E, N2E1, N2E3 N2E7, N2E8, N2E9, N2U, N3U, N3V, N7A1

NOTE A:PART NO. CHANGE D:NEWLY PROVIDED E:PART NO.DELETION K:REQUIRED NO. CORRECTION L:APPLICATION SERIAL NO. CORRECTION  
T:APPLICATION CORRECTION Z:REMARKS CHANGE

PARTS CATALOGUE NEWS

BOOKNo. : 13ZM00E6

Block No.	Ref. No.	Note	Part No.	Description	Reqd. QTY						Serial No.	Parts catalogue code	
					GCV 135	GCV 135 E	GCV 160	GCV 160 A	GCV 135 A	GCV 160 E			
					-	-	-	2	-	2	-----	-----	A1E, A1G9, A1M, A1P, A3E, A3E7, A3E9, A3T9, A3W7 A3W8, C1E, C1E1, C2E, C2E1, C3E, C3E1, C4E, C4E1 EHHB, E1A2, E1A4, E1G7, E2G7, E5A4, N1D, N1E2, N1L N1T8, N1T9, N3T8, N3T9, N3U, N3W8, N3W9, N7S1, R1A R3A, R3A1, S1E1, S2E2, S2E3, S2G7, S3E9, S3G9, S3H2 S4E4, S4E9, S4G4, S4G9
					-	-	-	2	-	-	-----	3698326	NBL1
					-	-	-	2	-	-	-----	4030139	RTL1, STL1
					-	-	-	2	-	-	-----	4803407	S3A2, S3H
					-	-	-	2	-	-	2510375	-----	A1E7, A1E8, A1W7, A2E7, A2E8, A2E9, A2G7, A7E1 N1E7, N1U, N1W7, N1W8, N1W9, N2E7, N2E8, N2E9, N2U N3V
					-	-	-	2	-	-	2510375	3698326	A1A, A1AS, A1C, A2A, A2C, A2R, BHH, N1A, N1C, N5A, N5C
					-	-	-	2	-	-	2510375	4029852	N7A1
					-	-	-	2	-	-	2510375	4030139	STA1, S1A, S1A1, S3A
					-	-	-	2	-	-	2510375	4062255	A1AE, A1AF, A3A, N1AF, N5AF
					-	-	-	-	-	2	-----	1762462	A2A9, A2R
					-	-	-	-	-	2	1197182	-----	A1E7, A1E8, A1G7, A1W7, A2E7, A2E8, A2E9, A2G7 A2G9, A7E1, N1E7, N1W7, N1W8, N1W9, N2E7, N2E8 N2E9, S2E, S2E1
					-	-	-	-	-	2	1197182	1762462	N7A1
	34	T	95002-40800-08	CLAMP, TUBE (D8) .....	-	2	-	-	-	-	2363396	-----	A2R, N2KA
					-	-	-	2	-	-	-----	-----	BHH1, N5MF, N5R, S1M
					-	-	-	2	-	-	3698327	-----	A1A, A1AS, A1C, A2A, A2C, A2R, BHH, NBL1, N1A, N1C N5A, N5C
					-	-	-	2	-	-	4029853	-----	N7A1
					-	-	-	2	-	-	4030140	-----	RTL1, R1A, R3A, R3A1, STA1, STL1, S1A, S1A1, S3A
					-	-	-	2	-	-	4062256	-----	A1AE, A1AF, A3A, N1AF, N5AF
					-	-	-	2	-	-	4803408	-----	S3A2, S3H

NOTE A:PART NO. CHANGE D:NEWLY PROVIDED E:PART NO.DELETION K:REQUIRED NO. CORRECTION L:APPLICATION SERIAL NO. CORRECTION  
T:APPLICATION CORRECTION Z:REMARKS CHANGE

PARTS CATALOGUE NEWS

BOOKNo. : 13ZM00E6

Block No.	Ref. No.	Note	Part No.	Description	Reqd. QTY						Serial No.	Parts catalogue code	
					GCV 135	GCV 135 E	GCV 160	GCV 160 A	GCV 135 A	GCV 160 E			
					-	-	-	-	-	2	1762463	-----	A2A9, A2R, N7A1
	35	T	95002-41000-08	CLAMP, TUBE (D10) .....	-	2	-	-	-	-	2363396	-----	A2R, N2KA
					-	-	-	2	-	-	-----	-----	BHH1, N5MF, N5R, S1M
					-	-	-	2	-	-	3698327	-----	A1A, A1AS, A1C, A2A, A2C, A2R, BHH, NBL1, N1A, N1C N5A, N5C
					-	-	-	2	-	-	4030140	-----	RTL1, R1A, R3A, R3A1, STA1, STL1, S1A, S1A1, S3A
					-	-	-	2	-	-	4062256	-----	A1AE, A1AF, A3A, N1AF, N5AF
					-	-	-	2	-	-	4803408	-----	S3A2, S3H
	37	D	95002-41000-08	CLAMP, TUBE (D10) .....	-	-	-	4	-	-	4029853	-----	N7A1
E-14	7		16100-ZOL-782	CARBURETOR ASSY. (BB62F B) ...	-	-	-	1	-	-	-----	-----	N7S1
					-	-	-	1	-	-	1456296	-----	A7E1
					-	-	-	1	-	-	1456296	4029852	N7A1
					-	-	-	-	-	1	1527132	-----	A7E1, N7A1
			16100-ZOL-802	CARBURETOR ASSY. (BB62G B) ...	-	-	-	1	-	-	-----	-----	S3H2
					-	-	-	1	-	-	4030139	-----	RTL1, STL1
					-	-	-	1	-	-	3172196	4030139	R1A, R3A, R3A1, STA1, S1A, S1A1, S3A
	A		16100-ZOL-851	CARBURETOR ASSY. (BB62Z A) ...	-	-	-	1	-	-	4030140	-----	RTL1, R1A, R3A, R3A1, STA1, STL1, S1A, S1A1, S3A
	A		16100-Z1L-003	CARBURETOR ASSY. (BB62Y A) ...	-	-	-	1	-	-	4029853	-----	N7A1

NOTE A:PART NO. CHANGE D:NEWLY PROVIDED E:PART NO. DELETION K:REQUIRED NO. CORRECTION L:APPLICATION SERIAL NO. CORRECTION  
T:APPLICATION CORRECTION Z:REMARKS CHANGE



# PARTS CATALOGUE NEWS

Honda Motor Co., Ltd. Service Division

## PARTS CATALOGUE - CORRECTED

Printed in Japan

CODE NO.	BOOKLET TYPE	13ZM00E6
	MICRO- FICHE	13ZM00EF/FF
PARTS CATALOGUE NEWS	GCV135 GCV135E GCV160 GCV160A GCV135A GCV160E	
NEWS NO.	053	

Block No.	Ref. No.	Note	Part No.	Description	Reqd. QTY							Serial No.	Parts catalogue code
					GCV 135	GCV 135 E	GCV 160	GCV 160 A	GCV 135 A	GCV 160 E			
E-11	9	T	28462-ZL8-003	ROPE, RECOIL STARTER .....	1	1	1	1	-	1			A2R, A7E1, E1A4, E5A4, N1A, N1AF, N1C, N1D, N1E N1E1, N1E2, N1E7, N1J1, N1L, N1U, N2D, N2E, N2E1 N2E2, N2E3, N2E7, N2E8, N2E9, N2U, N3V, N5A, N5AF N5C, N5MF, N5R, N7A1, N7E1, N7E2, N7S1
					-	-	-	-	1	-			
		T	28462-ZL8-631	ROPE, RECOIL STARTER (LONG TYPE)	1	1	1	1	-	1			A1A, A1AE, A1AF, A1AS, A1C, A1D, A1E, A1E1, A1E7 A1E8, A1G7, A1G9, A1J, A1M, A1P, A1U, A1W2, A1W7 A2A, A2A9, A2C, A2D, A2E, A2E1, A2E4, A2E7, A2E8 A2E9, A2G, A2G4, A2G7, A2G9, A2U, A3A, A3E, A3E7 A3E9, A3G9, A3T9, A3W7, A3W8, A4E, A4G4, A4G7, A4G9 C1E, C1E1, C2E, C2E1, C3E, C3E1, C4E, C4E1, EHHB E1A2, E1G7, E2G7, N1, N1G, N1R, N1S, N1S7, N1T8 N1T9, N1W, N1W1, N1W2, N1W7, N1W8, N1W9, N2, N2KA N2KE, N3T8, N3T9, N3U, N3W8, N3W9, R1A, R3A, S1A S1A1, S1E1, S1M, S2E, S2E1, S2E2, S2E3, S2G7, S3A2 S3E9, S3G9, S3H, S4E4, S4E9, S4G4, S4G9
					-	-	-	1	-	-	3396966	BHH, S3A, S3H2	

NOTE A:PART NO. CHANGE D:NEWLY PROVIDED E:PART NO. DELETION K:REQUIRED NO. CORRECTION L:APPLICATION SERIAL NO. CORRECTION  
T:APPLICATION CORRECTION Z:REMARKS CHANGE



# PARTS CATALOGUE NEWS

Honda Motor Co., Ltd. Service Division

## PARTS CATALOGUE - CORRECTED

Printed in Japan

CODE NO.	BOOKLET TYPE	13ZM00E6
	MICRO- FICHE	13ZM00EF/FF
PARTS CATALOGUE NEWS	GCV135 GCV135E GCV160 GCV160A GCV135A GCV160E	
NEWS NO.	054	

Block No.	Ref. No.	Note	Part No.	Description	Reqd. QTY						Serial No.	Parts catalogue code
					GCV 135	GCV 135 E	GCV 160	GCV 160 A	GCV 135 A	GCV 160 E		
E-8	1	L	13101-Z2A-000	PISTON .....	-	-	-	1	-	-	----- 5383514	A1A, A1AE, A1AF, A1AS, A1C, A1E, A1E7, A1E8, A1M A1W7, A2A, A2C, A2E7, A2E8, A2E9, A2G7, A2R, A3A A3E, A7E1, BHH, BHH1, NBL1, N1A, N1AF, N1C, N1E1 N1E7, N1L, N1R, N1U, N1W7, N1W8, N1W9, N2E7, N2E8 N2E9, N2U, N3U, N3V, N5A, N5AF, N5C, N5MF, N5R, N7A1 N7S1, RTL1, STA1, STL1, S1A, S1A1, S1M, S2G7, S3A S3A2, S3H, S3H2
					-	-	-	1	-	-	----- 8024760	EHHB, E1A2, E1A4, E1G7, E2G7, E5A4, R1A, R3A, R3A1
					-	-	-	-	-	1	----- 2033972	A3E9
		T	13101-Z2A-010	.....	-	1	-	1	-	1	-----	A3G9, A3T9, A4G4, A4G7, A4G9, C1E, C1E1, C2E, C2E1 C3E, C3E1, C4E, C4E1, N2KE, S2E2, S2E3, S3E9, S3G9 S4E4, S4E9, S4G4, S4G9
					-	-	-	1	-	-	5383515 -----	A1A, A1AE, A1AF, A1AS, A1C, A1E, A1E7, A1E8, A1M A1W7, A2A, A2C, A2E7, A2E8, A2E9, A2G7, A2R, A3A A3E, A7E1, BHH, BHH1, NBL1, N1A, N1AF, N1C, N1E1 N1E7, N1L, N1R, N1U, N1W7, N1W8, N1W9, N2E7, N2E8 N2E9, N2U, N3U, N3V, N5A, N5AF, N5C, N5MF, N5R, N7A1 N7S1, RTL1, STA1, STL1, S1A, S1A1, S1M, S2G7, S3A S3A2, S3H, S3H2
					-	-	-	1	-	-	8024761 -----	EHHB, E1A2, E1A4, E1G7, E2G7, E5A4, R1A, R3A, R3A1

NOTE A:PART NO. CHANGE D:NEWLY PROVIDED E:PART NO. DELETION K:REQUIRED NO. CORRECTION L:APPLICATION SERIAL NO. CORRECTION  
T:APPLICATION CORRECTION Z:REMARKS CHANGE

PARTS CATALOGUE NEWS

BOOKNo. : 13ZM00E6

Block No.	Ref. No.	Note	Part No.	Description	Reqd. QTY						Serial No.	Parts catalogue code	
					GCV 135	GCV 135 E	GCV 160	GCV 160 A	GCV 135 A	GCV 160 E			
					-	-	-	-	-	1	2033973	-----	A3E9
	6	L	13010-ZOL-003	RING SET, PISTON (RIKEN) .....	-	-	-	1	-	1	-----	-----	C1E, C1E1, C2E, C2E1, C3E, C3E1, C4E, C4E1, S2E2, S2E3
					-	-	-	1	-	-	-----	5383514	A1A, A1AE, A1AF, A1AS, A1C, A1E, A1E7, A1E8, A1M, A1W7, A2A, A2C, A2E7, A2E8, A2E9, A2G7, A2R, A3A, A3E, A7E1, BHH, BHH1, NBL1, N1A, N1AF, N1C, N1E1, N1E7, N1L, N1R, N1U, N1W7, N1W8, N1W9, N2E7, N2E8, N2E9, N2U, N3U, N3V, N5A, N5AF, N5C, N5MF, N5R, N7A1, N7S1, RTL1, STA1, STL1, S1A, S1A1, S1M, S2G7, S3A, S3A2, S3H, S3H2
					-	-	-	1	-	-	-----	8024760	EHHB, E1A2, E1A4, E1G7, E2G7, E5A4, R1A, R3A, R3A1
					-	-	-	-	-	1	-----	2033972	A3E9
		T	13010-ZOL-004	RING SET, PISTON (STD.) (TEIKOKU)	-	-	-	1	-	-	-----	5383514	A1A, A1AE, A1AF, A1AS, A1C, A1E, A1E7, A1E8, A1M, A1W7, A2A, A2C, A2E7, A2E8, A2E9, A2G7, A2R, A3A, A3E, A7E1, BHH, BHH1, NBL1, N1A, N1AF, N1C, N1E1, N1E7, N1L, N1R, N1U, N1W7, N1W8, N1W9, N2E7, N2E8, N2E9, N2U, N3U, N3V, N5A, N5AF, N5C, N5MF, N5R, N7A1, N7S1, RTL1, STA1, STL1, S1A, S1A1, S1M, S2G7, S3A, S3A2, S3H, S3H2
					-	-	-	1	-	-	-----	8024760	EHHB, E1A2, E1A4, E1G7, E2G7, E5A4, R1A, R3A, R3A1
					-	-	-	-	-	1	-----	2033972	A3E9
		T	13010-ZOL-014	.....	-	1	-	1	-	1	-----	-----	A3G9, A3T9, A4G4, A4G7, A4G9, C1E, C1E1, C2E, C2E1, C3E, C3E1, C4E, C4E1, N2KE, S2E2, S2E3, S3E9, S3G9, S4E4, S4E9, S4G4, S4G9
					-	-	-	1	-	-	5383515	-----	A1A, A1AE, A1AF, A1AS, A1C, A1E, A1E7, A1E8, A1M, A1W7, A2A, A2C, A2E7, A2E8, A2E9, A2G7, A2R, A3A, A3E, A7E1, BHH, BHH1, NBL1, N1A, N1AF, N1C, N1E1, N1E7, N1L, N1R, N1U, N1W7, N1W8, N1W9, N2E7, N2E8, N2E9, N2U, N3U, N3V, N5A, N5AF, N5C, N5MF, N5R, N7A1, N7S1, RTL1, STA1, STL1, S1A, S1A1, S1M, S2G7, S3A, S3A2, S3H, S3H2
					-	-	-	1	-	-	8024761	-----	EHHB, E1A2, E1A4, E1G7, E2G7, E5A4, R1A, R3A, R3A1
					-	-	-	-	-	1	2033973	-----	A3E9

NOTE A:PART NO. CHANGE D:NEWLY PROVIDED E:PART NO.DELETION K:REQUIRED NO. CORRECTION L:APPLICATION SERIAL NO. CORRECTION  
T:APPLICATION CORRECTION Z:REMARKS CHANGE

PARTS CATALOGUE NEWS

BOOKNo. : 13ZM00E6

Block No.	Ref. No.	Note	Part No.	Description	Reqd. QTY						Serial No.	Parts catalogue code						
					GCV 135	GCV 135 E	GCV 160	GCV 160 A	GCV 135 A	GCV 160 E								
E-12	11	L	95001-55150-40	TUBE, FUEL, 5.3X150 (95001-55001-60M)	-	-	1	1	-	1	-----	-----	A1E, A1G7, A1M, A1P, A3E, C1E, C1E1, C2E, C2E1, C3E C3E1, C4E, C4E1, EHHB, E1A2, E1A4, E1G7, E2G7 E5A4, N1D, N1E1, N1E2, N1J1, N1L, N1R, N3U, S2G7 S3H2					
					-	-	1	-	-	1	-----	-----	A1A, A1C, A1E7, A1E8, A1G9, A1J, A1U, A1W2, A1W7 A2A, A2A9, A2C, A2E, A2E4, A2E7, A2E8, A2E9, A2G4 A2G7, A2G9, A2R, A2U, A3E7, A3E9, A3G9, A3T9, A3W7 A3W8, A4E, A4G4, A4G7, A4G9, N1, N1E7, N1T8, N1T9 N1U, N1W, N1W1, N1W2, N1W7, N1W8, N1W9, N2, N2D N2E, N2E1, N2E2, N2E3, N2E7, N2E8, N2E9, N2U, N3T8 N3T9, N3V, N3W8, N3W9, S1E1, S2E, S2E1, S2E2, S2E3 S3E9, S3G9, S4E4, S4E9, S4G4, S4G9					
					-	-	-	1	-	-	-----	3698326	NBL1					
					-	-	-	1	-	-	-----	4030139	RTL1, STL1					
					-	-	-	1	-	-	-----	8020871	R1A, R3A, R3A1					
					-	-	-	1	-	-	-----	4803407	S3A2, S3H					
					-	-	-	1	-	-	2510375	-----	A1E7, A1E8, A1W7, A2E7, A2E8, A2E9, A2G7, N1E7, N1U N1W7, N1W8, N1W9, N2E7, N2E8, N2E9, N2U, N3V					
					-	-	-	1	-	-	2510375	3698326	A1A, A1AS, A1C, A2A, A2C, A2R, BHH, N1A, N1C N5A, N5C					
					-	-	-	1	-	-	2510375	4030139	STA1, S1A, S1A1, S3A					
					-	-	-	1	-	-	2510375	4062255	A1AE, A1AF, A3A, N1AF, N5AF					
					L	91425-ZOL-801		91425-ZOL-801	TUBE, FUEL, 5.3X150 (FKM)	-	-	-	1	-	-	-----	-----	BHH1, N5MF, N5R, S1M
										-	-	-	1	-	-	3698327	-----	A1A, A1AS, A1C, A2A, A2C, A2R, BHH, NBL1, N1A, N1C N5A, N5C
										-	-	-	1	-	-	4030140	-----	RTL1, STA1, STL1, S1A, S1A1, S3A
										-	-	-	1	-	-	8020872	-----	R1A, R3A, R3A1
-	-	-	1	-						-	4062256	-----	A1AE, A1AF, A3A, N1AF, N5AF					
-	-	-	1	-						-	4803408	-----	S3A2, S3H					

NOTE A:PART NO. CHANGE D:NEWLY PROVIDED E:PART NO.DELETION K:REQUIRED NO. CORRECTION L:APPLICATION SERIAL NO. CORRECTION  
T:APPLICATION CORRECTION Z:REMARKS CHANGE



PARTS CATALOGUE NEWS

BOOKNo. : 13ZM00E6

Block No.	Ref. No.	Note	Part No.	Description	Reqd. QTY						Serial No.	Parts catalogue code	
					GCV 135	GCV 135 E	GCV 160	GCV 160 A	GCV 135 A	GCV 160 E			
	13	L	95002-02100	CLIP, TUBE (B10) .....	2	2	2	2	-	2	-----	-----	A1E, A1E7, A1E8, A1M, A1W7, A2E7, A2E8, A2E9, A2G7 A3E, C1E, C1E1, C2E, C2E1, C3E, C3E1, C4E, C4E1 EHHB, E1A2, E1A4, E1G7, E2G7, E5A4, N1E1, N1E7, N1L N1R, N1U, N1W7, N1W8, N1W9, N2E7, N2E8, N2E9, N2U N3U, N3V, S2G7, S3H2
					2	2	2	-	-	2	-----	-----	A1A, A1C, A1D, A1E1, A1G7, A1G9, A1J, A1P, A1U, A1W2 A2A, A2A9, A2C, A2D, A2E, A2E1, A2E4, A2G, A2G4 A2G9, A2U, A3E7, A3E9, A3G9, A3T9, A3W7, A3W8 A4E, A4G4, A4G7, A4G9, N1, N1D, N1E, N1E2, N1G N1J1, N1S, N1S7, N1T8, N1T9, N1W, N1W1, N1W2, N2 N2D, N2E, N2E1, N2E2, N2E3, N2KE, N3T8, N3T9 N3W8, N3W9, S1E1, S2E, S2E1, S2E2, S2E3, S3E9 S3G9, S4E4, S4E9, S4G4, S4G9
					2	-	2	-	-	2	-----	-----	A2R
					-	2	-	-	-	-	-----	2363395	A2R, N2KA
					-	-	-	2	-	-	-----	3698326	A1A, A1AS, A1C, A2A, A2C, A2R, BHH, NBL1 N1A, N1C, N5A, N5C
					-	-	-	2	-	-	-----	4030139	RTL1, STA1, STL1, S1A, S1A1, S3A
					-	-	-	2	-	-	-----	8020871	R1A, R3A, R3A1
					-	-	-	2	-	-	-----	4062255	A1AE, A1AF, A3A, N1AF, N5AF
					-	-	-	2	-	-	-----	4803407	S3A2, S3H
					-	-	-	-	2	-			
	32	L	17702-ZM0-800	TUBE, FUEL .....	1	-	-	-	-	-	1623713	-----	A1A, A1C, A1E, A1E7, A1E8, A2A, A2C, A2E, A2E4 A2E7, A2E8, A2E9, A2G, A2G7, A2R, A7E1, N1D, N1G N1S, N1S7, N1U, N1W, N1W1, N1W7, N1W8, N2E, N2E1 N2E7, N2E8, N2E9, N2U, N7E1, N7E2
					-	1	-	1	-	1	-----	-----	A2G4, A3G9, A4G4, A4G7, A4G9, N1E1, N1R, N2KE
					-	1	-	-	-	-	-----	-----	N1U
					-	1	-	-	-	-	-----	2363395	A2R, N2KA
					-	1	-	-	-	-	1694819	-----	A1E, A1E7, A1E8, A2E, A2E7, A2E8, A2E9, A2G7, A2G9 A7E1, N1E, N1S, N1S7, N1W, N1W7, N1W8, N2E, N2E1 N2E3, N2E7, N2E8, N2E9, N7E1, N7E2, S2E, S2E1
					-	-	1	-	-	1	-----	-----	N1J1

NOTE A:PART NO. CHANGE D:NEWLY PROVIDED E:PART NO. DELETION K:REQUIRED NO. CORRECTION L:APPLICATION SERIAL NO. CORRECTION  
T:APPLICATION CORRECTION Z:REMARKS CHANGE

PARTS CATALOGUE NEWS

BOOKNo. : 13ZM00E6

Block No.	Ref. No.	Note	Part No.	Description	Reqd. QTY						Serial No.	Parts catalogue code	
					GCV 135	GCV 135 E	GCV 160	GCV 160 A	GCV 135 A	GCV 160 E			
					-	-	1	-	-	-	2439089	-----	A1A, A1C, A1E, A1E7, A1E8, A1G7, A1P, A1W2, A1W7 A2A, A2C, A2E, A2E4, A2E7, A2E8, A2E9, A2G7, A2R A3E, A7E1, N1, N1D, N1E1, N1E2, N1E7, N1R, N1U N1W, N1W1, N1W2, N1W7, N1W8, N1W9, N2, N2E, N2E1 N2E3, N2E7, N2E8, N2E9, N2U, N3U, N3V, N7A1
					-	-	-	1	-	1	-----	-----	A1E, A1G9, A1M, A1P, A3E, A3E7, A3E9, A3T9, A3W7 A3W8, C1E, C1E1, C2E, C2E1, C3E, C3E1, C4E, C4E1 EHHB, E1A2, E1A4, E1G7, E2G7, E5A4, N1D, N1E2, N1L N1T8, N1T9, N3T8, N3T9, N3U, N3W8, N3W9, N7S1 S1E1S2E2, S2E3, S2G7, S3E9, S3G9, S3H2, S4E4 S4E9, S4G4, S4G9
					-	-	-	1	-	-	-----	3698326	NBL1
					-	-	-	1	-	-	-----	4030139	RTL1, STL1
					-	-	-	1	-	-	-----	8020871	R1A, R3A, R3A1
					-	-	-	1	-	-	-----	4803407	S3A2, S3H
					-	-	-	1	-	-	2510375	-----	A1E7, A1E8, A1W7, A2E7, A2E8, A2E9, A2G7, A7E1, N1E7 N1U, N1W7, N1W8, N1W9, N2E7, N2E8, N2E9, N2U, N3V
					-	-	-	1	-	-	2510375	3698326	A1A, A1AS, A1C, A2A, A2C, A2R, BHH, N1A, N1C, N5A, N5C
					-	-	-	1	-	-	2510375	4029852	N7A1
					-	-	-	1	-	-	2510375	4030139	STA1, S1A, S1A1, S3A
					-	-	-	1	-	-	2510375	4062255	A1AE, A1AF, A3A, N1AF, N5AF
					-	-	-	-	-	1	-----	1762462	A2A9, A2R
					-	-	-	-	-	1	1197182	-----	A1E7, A1E8, A1G7, A1W7, A2E7, A2E8, A2E9, A2G7 A2G9, A7E1, N1E7, N1W7, N1W8, N1W9, N2E7, N2E8 N2E9, S2E, S2E1
					-	-	-	-	-	1	1197182	1762462	N7A1
		L	17702-ZOL-801	TUBE, FUEL (FKM) .....	-	1	-	-	-	-	2363396	-----	A2R, N2KA
					-	-	-	1	-	-	-----	-----	BHH1, N5MF, N5R, S1M
					-	-	-	1	-	-	3698327	-----	A1A, A1AS, A1C, A2A, A2C, A2R, BHH, NBL1, N1A, N1C N5A, N5C
					-	-	-	1	-	-	4029853	-----	N7A1

NOTE A:PART NO. CHANGE D:NEWLY PROVIDED E:PART NO.DELETION K:REQUIRED NO. CORRECTION L:APPLICATION SERIAL NO. CORRECTION  
T:APPLICATION CORRECTION Z:REMARKS CHANGE

PARTS CATALOGUE NEWS

BOOKNo. : 13ZM00E6

Block No.	Ref. No.	Note	Part No.	Description	Reqd. QTY						Serial No.	Parts catalogue code	
					GCV 135	GCV 135 E	GCV 160	GCV 160 A	GCV 135 A	GCV 160 E			
					-	-	-	1	-	-	4030140	-----	RTL1, STA1, STL1, S1A, S1A1, S3A
					-	-	-	1	-	-	8020872	-----	R1A, R3A, R3A1
					-	-	-	1	-	-	4062256	-----	A1AE, A1AF, A3A, N1AF, N5AF
					-	-	-	1	-	-	4803408	-----	S3A2, S3H
					-	-	-	-	-	1	1762463	-----	A2A9, A2R, N7A1
	33	L	95002-02080	CLIP, TUBE (B8) .....	2	-	-	-	-	-	1623713	-----	A1A, A1C, A1E, A1E7, A1E8, A2A, A2C, A2E, A2E4, A2E7 A2E8, A2E9, A2G, A2G7, A2R, A7E1, N1D, N1G, N1S N1S7, N1U, N1W, N1W1, N1W7, N1W8, N2E, N2E1, N2E7 N2E8, N2E9, N2U, N7E1, N7E2
					-	2	-	2	-	2	-----	-----	A2G4, A3G9, A4G4, A4G7, A4G9, N1E1, N1R, N2KE
					-	2	-	-	-	-	-----	-----	N1U
					-	2	-	-	-	-	-----	2363395	A2R, N2KA
					-	2	-	-	-	-	1694819	-----	A1E, A1E7, A1E8, A2E, A2E7, A2E8, A2E9, A2G7, A2G9 A7E1, N1E, N1S, N1S7, N1W, N1W7, N1W8, N2E, N2E1 N2E3, N2E7, N2E8, N2E9, N7E1, N7E2, S2E, S2E1
					-	-	2	-	-	2	-----	-----	N1J1
					-	-	2	-	-	-	2439089	-----	A1A, A1C, A1E, A1E7, A1E8, A1G7, A1P, A1W2, A1W7 A2A, A2C, A2E, A2E4, A2E7, A2E8, A2E9, A2G7, A2R A3E, A7E1, N1, N1D, N1E1, N1E2, N1E7, N1R, N1U N1W, N1W1, N1W2, N1W7, N1W8, N1W9, N2, N2E, N2E1 N2E3, N2E7, N2E8, N2E9, N2U, N3U, N3V, N7A1
					-	-	-	2	-	2	-----	-----	A1E, A1G9, A1M, A1P, A3E, A3E7, A3E9, A3T9, A3W7 A3W8, C1E, C1E1, C2E, C2E1, C3E, C3E1, C4E, C4E1 EHHB, E1A2, E1A4, E1G7, E2G7, E5A4, N1D, N1E2, N1L N1T8, N1T9, N3T8, N3T9, N3U, N3W8, N3W9, N7S1, S1E1 S2E2, S2E3, S2G7, S3E9, S3G9, S3H2, S4E4, S4E9 S4G4, S4G9
					-	-	-	2	-	-	-----	3698326	NBL1
					-	-	-	2	-	-	-----	4030139	RTL1, STL1
					-	-	-	2	-	-	-----	4803407	S3A2, S3H
					-	-	-	2	-	-	-----	8020871	R1A, R3A, R3A1

NOTE A:PART NO. CHANGE D:NEWLY PROVIDED E:PART NO.DELETION K:REQUIRED NO. CORRECTION L:APPLICATION SERIAL NO. CORRECTION  
T:APPLICATION CORRECTION Z:REMARKS CHANGE

PARTS CATALOGUE NEWS

BOOKNo. : 13ZM00E6

Block No.	Ref. No.	Note	Part No.	Description	Reqd. QTY						Serial No.	Parts catalogue code	
					GCV 135	GCV 135 E	GCV 160	GCV 160 A	GCV 135 A	GCV 160 E			
					-	-	-	2	-	-	2510375	-----	A1E7, A1E8, A1W7, A2E7, A2E8, A2E9, A2G7, A7E1 N1E7, N1U, N1W7, N1W8, N1W9, N2E7, N2E8, N2E9, N2U N3V
					-	-	-	2	-	-	2510375	3698326	A1A, A1AS, A1C, A2A, A2C, A2R, BHH, N1A, N1C N5A, N5C
					-	-	-	2	-	-	2510375	4029852	N7A1
					-	-	-	2	-	-	2510375	4030139	STA1, S1A, S1A1, S3A
					-	-	-	2	-	-	2510375	4062255	A1AE, A1AF, A3A, N1AF, N5AF
					-	-	-	-	-	2	-----	1762462	A2A9, A2R
					-	-	-	-	-	2	1197182	-----	A1E7, A1E8, A1G7, A1W7, A2E7, A2E8, A2E9, A2G7 A2G9, A7E1, N1E7, N1W7, N1W8, N1W9, N2E7, N2E8 N2E9, S2E, S2E1
					-	-	-	-	-	2	1197182	1762462	N7A1
	34	L	95002-40800-08	CLAMP, TUBE (D8) .....	-	2	-	-	-	-	2363396	-----	A2R, N2KA
					-	-	-	2	-	-	-----	-----	BHH1, N5MF, N5R, S1M
					-	-	-	2	-	-	3698327	-----	A1A, A1AS, A1C, A2A, A2C, A2R, BHH, NBL1, N1A, N1C N5A, N5C
					-	-	-	2	-	-	4029853	-----	N7A1
					-	-	-	2	-	-	4030140	-----	RTL1, STA1, STL1, S1A, S1A1, S3A
					-	-	-	2	-	-	4062256	-----	A1AE, A1AF, A3A, N1AF, N5AF
					-	-	-	2	-	-	4803408	-----	S3A2, S3H
					-	-	-	-	-	2	1762463	-----	A2A9, A2R, N7A1
					-	-	-	2	-	-	8020872	-----	R1A, R3A, R3A1
	35	L	95002-41000-08	CLAMP, TUBE (D10) .....	-	2	-	-	-	-	2363396	-----	A2R, N2KA
					-	-	-	2	-	-	-----	-----	BHH1, N5MF, N5R, S1M
					-	-	-	2	-	-	3698327	-----	A1A, A1AS, A1C, A2A, A2C, A2R, BHH, NBL1, N1A, N1C N5A, N5C
					-	-	-	2	-	-	4030140	-----	RTL1, STA1, STL1, S1A, S1A1, S3A

NOTE A:PART NO. CHANGE D:NEWLY PROVIDED E:PART NO.DELETION K:REQUIRED NO. CORRECTION L:APPLICATION SERIAL NO. CORRECTION  
T:APPLICATION CORRECTION Z:REMARKS CHANGE

PARTS CATALOGUE NEWS

BOOKNo. : 13ZM00E6

Block No.	Ref. No.	Note	Part No.	Description	Reqd. QTY						Serial No.	Parts catalogue code	
					GCV 135	GCV 135 E	GCV 160	GCV 160 A	GCV 135 A	GCV 160 E			
					-	-	-	2	-	-	4062256	-----	A1AE, A1AF, A3A, N1AF, N5AF
					-	-	-	2	-	-	4803408	-----	S3A2, S3H
					-	-	-	2	-	-	8020872	-----	R1A, R3A, R3A1
E-14	7	L	16100-Z0L-802	CARBURETOR ASSY. (BB62G B) ..	-	-	-	1	-	-	-----	-----	S3H2
					-	-	-	1	-	-	-----	4030139	RTL1, STL1
					-	-	-	1	-	-	3172196	4030139	STA1, S1A, S1A1, S3A
					-	-	-	1	-	-	3172196	8020871	R1A, R3A, R3A1
		L	16100-Z0L-851	CARBURETOR ASSY. (BB62Z A) ..	-	-	-	1	-	-	4030140	-----	RTL1, STA1, STL1, S1A, S1A1, S3A
					-	-	-	1	-	-	8020872	-----	R1A, R3A, R3A1
E-28	20	T	87114-ZH7-840	LABEL, WARNING (NOT CERTIFIED FOR SALE)	-	1	-	1	-	1	-----	-----	A3G9, A3T9, A4G4, A4G7, A4G9, BHH1, C3E, C3E1, C4E C4E1, N2KE, S2E2, S2E3, S2G7, S3E9, S3G9, S4E4 S4E9, S4G4, S4G9
					-	-	-	1	-	-	5125202	-----	A1E, A1E7, A1E8, A1M, A1W7, A2E7, A2E8, A2E9, A2G7 A3E, A7E1, N1E7, N1L, N1W7, N1W8, N1W9, N2E7, N2E8 N2E9, N7S1, S3H2
					-	-	-	1	-	-	8015580	-----	E1G7, E2G7
					-	-	-	-	-	1	1739042	-----	A1E7, A1E8, A1G7, A1W7, A2E7, A2E8, A2E9, A2G4 A2G7, A2G9, A3E7, A3E9, A3W7, A3W8, A7E1, N1E1 N1E2, N1E7, N1J1, N1T8, N1T9, N1W7, N1W8, N1W9 N2E7, N2E8, N2E9, N3T8, N3T9, N3W8, N3W9, S1E1, S2E S2E1

NOTE A:PART NO. CHANGE D:NEWLY PROVIDED E:PART NO.DELETION K:REQUIRED NO. CORRECTION L:APPLICATION SERIAL NO. CORRECTION  
T:APPLICATION CORRECTION Z:REMARKS CHANGE



# PARTS CATALOGUE NEWS

Honda Motor Co., Ltd. Service Division

## PARTS CATALOGUE - CORRECTED

Printed in Japan

CODE NO.	BOOKLET TYPE	13ZM00E6
	MICRO- FICHE	13ZM00EF/FF
PARTS CATALOGUE NEWS	GCV135 GCV135E GCV160 GCV160A GCV135A GCV160E	
NEWS NO.	055	

Block No.	Ref. No.	Note	Part No.	Description	Reqd. QTY						Serial No.	Parts catalogue code	
					GCV 135	GCV 135 E	GCV 160	GCV 160 A	GCV 135 A	GCV 160 E			
E-22-2	1	T	16551-ZMO-010	ARM, GOVERNOR .....	-	-	-	1	-	-	-----	-----	A1AE, A1AF, A3A, E1A2, E1A4, E5A4, N1AF, N5AF, N5MF, N5R, RTL1, R1A, R3A, R3A1, STA1, STL1, S1A, S1A1, S1M, S3A, S3A2, S3H, S3H2
	2	T	16555-ZOL-800	ROD, GOVERNOR .....	-	-	-	1	-	-	-----	-----	A1AE, A1AF, A3A, E1A2, E1A4, E5A4, N1AF, N5AF, N5MF, N5R, RTL1, R1A, R3A, R3A1, STA1, STL1, S1A, S1A1, S1M, S3A, S3A2, S3H, S3H2
	3	T	16561-ZOL-000	SPRING, GOVERNOR .....	-	-	-	1	-	-	-----	-----	A1AE, A1AF, A3A, RTL1, R1A, R3A, R3A1, STA1, STL1, S1A, S1A1, S1M, S3A, S3A2, S3H, S3H2
	4	T	16562-ZMO-000	SPRING, THROTTLE RETURN .....	-	-	-	1	-	-	-----	-----	A1AE, A1AF, A3A, N1AF, N5AF, N5MF, N5R, RTL1, R1A, R3A, R3A1, STA1, STL1, S1A, S1A1, S1M, S3A, S3A2, S3H, S3H2
	6	T	16580-ZOL-810	BASE COMP., CONTROL .....	-	-	-	1	-	-	-----	-----	A1AE, A1AF, A3A, E1A2, RTL1, R1A, R3A, R3A1, STA1, STL1, S1A, S1A1, S1M, S3A, S3A2, S3H, S3H2
	12	T	90015-ZE5-010	BOLT, GOVERNOR ARM .....	-	-	-	1	-	-	-----	-----	A1AE, A1AF, A3A, E1A2, E1A4, E5A4, N1AF, N5AF, N5MF, N5R, RTL1, R1A, R3A, R3A1, STA1, STL1, S1A, S1A1, S1M, S3A, S3A2, S3H, S3H2
	13	T	90016-ZE8-000	BOLT, FLANGE, 6X45(CT200) .....	-	-	-	1	-	-	-----	-----	A1AE, A1AF, A3A, E1A2, E1A4, E5A4, N1AF, N5AF, N5MF, N5R, RTL1, R1A, R3A, R3A1, STA1, STL1, S1A, S1A1, S1M, S3A, S3A2, S3H, S3H2

NOTE A:PART NO. CHANGE D:NEWLY PROVIDED E:PART NO.DELETION K:REQUIRED NO. CORRECTION L:APPLICATION SERIAL NO. CORRECTION  
T:APPLICATION CORRECTION Z:REMARKS CHANGE

PARTS CATALOGUE NEWS

BOOKNo. : 13ZM00E6

Block No.	Ref. No.	Note	Part No.	Description	Reqd. QTY						Serial No.	Parts catalogue code
					GCV 135	GCV 135 E	GCV 160	GCV 160 A	GCV 135 A	GCV 160 E		
	15	T	94050-06000	NUT, FLANGE, 6MM .....	-	-	-	1	-	-	-----	A1AE, A1AF, A3A, E1A2, E1A4, E5A4, N1AF, N5AF, N5MF N5R, RTL1, R1A, R3A, R3A1, STA1, STL1, S1A, S1A1 S1M, S3A, S3A2, S3H, S3H2

NOTE A:PART NO. CHANGE D:NEWLY PROVIDED E:PART NO.DELETION K:REQUIRED NO. CORRECTION L:APPLICATION SERIAL NO. CORRECTION  
T:APPLICATION CORRECTION Z:REMARKS CHANGE

September 16, 2007



# PARTS CATALOGUE NEWS

Honda Motor Co., Ltd. Service Division

## PARTS CATALOGUE - CORRECTED

Printed in Japan

CODE NO.	BOOKLET TYPE	13ZM00E6
	MICRO- FICHE	13ZM00EF/FF
PARTS CATALOGUE NEWS	GCV135 GCV135E GCV160 GCV160A GCV135A GCV160E	
NEWS NO.	056	

Block No.	Ref. No.	Note	Part No.	Description	Reqd. QTY							Serial No.	Parts catalogue code
					GCV 135	GCV 135 E	GCV 160	GCV 160 A	GCV 135 A	GCV 160 E			
E-3	6	K	90014-952-000	BOLT, FLANGE, 6X14(CT200) ....	1	1	1	1	1	1			
E-6	15	K	90014-952-000	BOLT, FLANGE, 6X14(CT200) ....	1	1	1	1	1	1			

NOTE A:PART NO. CHANGE D:NEWLY PROVIDED E:PART NO.DELETION K:REQUIRED NO. CORRECTION L:APPLICATION SERIAL NO. CORRECTION  
T:APPLICATION CORRECTION Z:REMARKS CHANGE



September 20, 2007



## PARTS CATALOGUE NEWS

Honda Motor Co., Ltd. Service Division

Printed in Japan

CODE NO.	BOOKLET TYPE	13ZM00E6
	MICRO- FICHE	13ZM00EF/FF
PARTS CATALOGUE NEWS	GCV135 GCV135E GCV160 GCV160A GCV135A GCV160E	
NEWS NO.	057	

### **GCV135E-S2E2,S2E3,S3E9,S3G9,S4E4,S4E9,S4G4 AND S4G9 TYPES sales parts information**

NOTE: This Parts Catalogue News explains only the parts of the different model that are produced to conform to addition of the GCV135E-S2E2,S2E3,S3E9,S3G9,S4E4,S4E9,S4G4 and S4G9 types.

As for the parts not listed on this Parts Catalogue News, use the parts of the GCV135E-S2E1 type.

•Models, parts catalogue codes and applicable serial numbers

Model	Type		Parts catalogue type	Applicable engine serial No.	Applicable carburetor identification No.
GCV135E	S2E1	Base type	S2E1	GJAFE-1000001~	BB64H A
	S2E2	Additional type	S2E2		BB64N A
	S2E3		S2E3		BB64P A
	S3E9		S3E9		BB64N A
	S3G9		S3G9		BB64P A
	S4E4		S4E4		BB64N A
	S4E9		S4E9		BB64P A
	S4G4		S4G4		
	S4G9		S4G9		

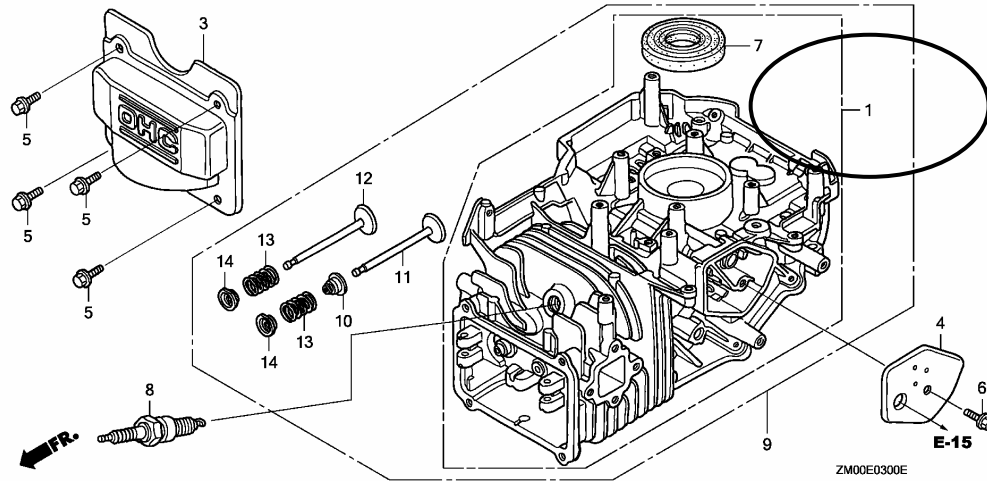
•Features of each type		Base type	Additional type							
		GCV135E								
Specifications	Model									
	Type	S2E1	S2E2	S2E3	S3E9	S3G9	S4E4	S4E9	S4G4	S4G9
Crankshaft	20Øx133.8mm									
	22.2Øx100.4mm									
	22.2Øx117.4mm	●	●	●						
	22.2Øx135.7mm									
	25Øx117.4mm						●	●	●	●
	25Øx135.7mm				●	●				
Recoil starter										
Recoil starter (Long rope)		●	●	●	●	●	●	●	●	●
Flywheel brake		●	●	●	●	●	●	●	●	●

PARTS CATALOGUE NEWS

BOOKNo. : 13ZM00E6

Block No.	Ref. No.	Part No.	Description	Reqd. QTY						Base Part No.	Parts catalogue code
				GCV 135 E	GCV 135 E	GCV 160 A	GCV 160 A	GCV 135 A	GCV 160 E		

E-3 CYLINDER BARREL



E-3	1	12000-Z0M-405	BARREL ASSY., CYLINDER .....	-	1	-	-	-	-	
	8	98079-54846	PLUG, SPARK (BPR4ES) (NGK) ....	-	1	-	-	-	-	98079-56846
	9		BARREL ASSY., CYLINDER .....	-	0	-	-	-	-	12000-ZL9-425
	11	14711-ZL8-000	VALVE, IN. (TECHNOSTAR) .....	-	1	-	-	-	-	14711-Z0J-000
E-7	2		CRANKSHAFT COMP. ....	-	0	-	-	-	-	13310-ZM1-600 S3E9, S3G9, S4E4, S4E9, S4G4, S4G9
	3	13310-ZM1-610	CRANKSHAFT COMP. ....	-	1	-	-	-	-	S3E9, S3G9
	4	13310-ZM1-620	CRANKSHAFT COMP. ....	-	1	-	-	-	-	S4E4, S4E9, S4G4, S4G9
E-8	1	13101-Z2A-010	PISTON .....	-	1	-	-	-	-	13101-ZL8-000
	6		RING SET, PISTON (TEIKOKU) ...	-	0	-	-	-	-	13010-ZL8-024
		13010-Z0L-014	RING SET, PISTON (STD.) (TEIKOKU)	-	1	-	-	-	-	13010-ZL8-003
E-11	15	66871-611-000	NUT, CENTER PANEL .....	-	3	-	-	-	-	66871-KY2-700

## PARTS CATALOGUE NEWS

BOOKNo. : 13ZM00E6

Block No.	Ref. No.	Part No.	Description	Reqd. QTY						Base Part No.	Parts catalogue code
				GCV 135	GCV 135 E	GCV 160	GCV 160 A	GCV 135 A	GCV 160 E		
E-12	6	19610-ZOM-000ZB	COVER COMP., FAN *NH1*.....BLACK	-	1	-	-	-	-	19610-ZOM-800ZA	
		19610-ZOM-000ZC	*R280*.....POWER RED	-	1	-	-	-	-		
E-14	6	16029-ZG0-901	SCREW SET (THROTTLE STOP) ....	-	1	-	-	-	-		S2E3, S3G9, S4G4, S4G9
	7	16100-ZOM-841	CARBURETOR ASSY. (BB64N A) ...	-	1	-	-	-	-	16100-ZOM-801	S2E2, S3E9, S4E4, S4E9
		16100-ZOM-851	CARBURETOR ASSY. (BB64P A) ...	-	1	-	-	-	-	16100-ZOM-801	S2E3, S3G9, S4G4, S4G9
	9	16166-ZOM-841	NOZZLE, MAIN .....	-	1	-	-	-	-	16166-ZM1-003	
	10		INSULATOR, CARBURETOR .....	-	0	-	-	-	-	16211-ZL8-000	
	13		PACKING, CARBURETOR .....	-	0	-	-	-	-	16228-ZL8-000	
		16228-ZOL-840	PACKING, CARBURETOR (CHOKE SIDE)	-	1	-	-	-	-		
	16	99101-124-0620	JET, MAIN, #62 .....	-	(1)	-	-	-	-	99101-124-0580	
		99101-124-0650	JET, MAIN, #65 .....	-	1	-	-	-	-	99101-124-0620	
	21	16600-ZOL-840	CONTROL ASSY., CHOKE .....	-	1	-	-	-	-		
	23	16016-ZG0-W00	SCREW SET .....	-	1	-	-	-	-		S2E3, S3G9, S4G4, S4G9
25	16148-Z1L-851	CAP, CHOKE DUST .....	-	1	-	-	-	-			
E-15	3	17220-ZM0-010	CASE ASSY., AIR CLEANER .....	-	1	-	-	-	-	17220-ZM0-000	
E-19	3	30500-ZL8-014	COIL ASSY., IGNITION (TEC) (USE FOR F/W OF TEC)	-	1	-	-	-	-	30500-ZL8-004	
	5	32195-ZM0-000	CORD, STOP SWITCH .....	-	1	-	-	-	-	32195-ZM0-800	
	7	75100-ZM0-000	BRAKE ASSY. ....	-	1	-	-	-	-		
	20		GROMMET A, RR. COVER (8X16X6.6)	-	0	-	-	-	-	11344-MB0-000	
		21		BRAKE SUB ASSY. ....	-	0	-	-	-	-	75110-ZOL-800
E-22	2	16555-ZM1-000	ROD, GOVERNOR .....	-	1	-	-	-	-	16555-ZOM-800	
	5	16576-ZE7-300	SPRING, LEVER .....	-	1	-	-	-	-		S2E3, S3G9, S4G4, S4G9

## PARTS CATALOGUE NEWS

BOOKNo. : 13ZM00E6

Block No.	Ref. No.	Part No.	Description	Reqd. QTY						Base Part No.	Parts catalogue code
				GCV 135	GCV 135 E	GCV 160	GCV 160 A	GCV 135 A	GCV 160 E		
	7	16580-Z1L-850	BASE COMP., CONTROL .....	-	1	-	-	-	-	16580-ZOM-810	S2E3, S3G9, S4G4, S4G9
	12	93500-05016-0A	SCREW, PAN, 5X16 .....	-	1	-	-	-	-		
	17	16584-883-300	SPRING, CONTROL ADJUSTING ....	-	1	-	-	-	-	16584-883-300	S2E3, S3G9, S4G4, S4G9
	18	16599-ZG1-M10	COLLAR, STOPPER .....	-	1	-	-	-	-	16599-ZG1-M10	S2E3, S3G9, S4G4, S4G9
	19	90016-ZE7-W00	SCREW, RECESSED, 5X28 .....	-	1	-	-	-	-	90016-ZE7-W00	S2E3, S3G9, S4G4, S4G9
	20		BASE COMP., CONTROL .....	-	0	-	-	-	-	16580-ZOM-810	S2E3, S3G9, S4G4, S4G9
		16580-ZOM-811	.....	-	1	-	-	-	-	16580-ZOM-810	S2E2, S3E9, S4E4, S4E9
	21		SPRING, CONTROL ADJUSTING ....	-	0	-	-	-	-	16584-883-300	S2E3, S3G9, S4G4, S4G9
	22		COLLAR, STOPPER .....	-	0	-	-	-	-	16599-ZG1-M10	S2E3, S3G9, S4G4, S4G9
	23		SCREW, RECESSED, 5X28 .....	-	0	-	-	-	-	90016-ZE7-W00	S2E3, S3G9, S4G4, S4G9
	24	16617-VG3-000	HOLDER, CABLE .....	-	1	-	-	-	-		
	29	16563-ZOM-850	SPRING, IDLE GOVERNOR .....	-	1	-	-	-	-		S2E3, S3G9, S4G4, S4G9
E-22-3	2		SPRING, CABLE RETURN .....	-	0	-	-	-	-	16592-ZJ1-000	
	5		SPRING, CHOKE LEVER .....	-	0	-	-	-	-	16614-ZOL-800	
	8		ROD, STOP .....	-	0	-	-	-	-	16632-ZOL-800	
	9		BOLT, FLANGE, 6X20 .....	-	0	-	-	-	-	90022-888-000	
	14		LEVER ASSY., CHOKE .....	-	0	-	-	-	-	16610-ZOM-800	
E-27	1		GROMMET, CHOKE ROD .....	-	0	-	-	-	-	16613-883-610	S4E4, S4G4
	2		COVER, TOP							19721-ZOM-000ZA	
			*NH1*..... BLACK	-	0	-	-	-	-		S4E4, S4G4
		19721-ZOM-000ZB	*NH246*..... LOOSEY GRAY	-	1	-	-	-	-		S2E2, S2E3, S4E9, S4G9
		19721-ZOM-000ZE	*R280*..... POWER RED	-	1	-	-	-	-		S2E2, S2E3, S3E9, S3G9, S4E9, S4G9
	3		SCREW, TAPPING, 4X16 .....	-	0	-	-	-	-	93903-24480	S4E4, S4G4
		90137-SH3-000	.....	-	3	-	-	-	-	93903-24480	S2E2, S2E3, S3E9, S3G9, S4E9, S4G9
E-28	2		MARK, EMBLEM (GCV135 4.5) ....	-	0	-	-	-	-	87101-ZM1-000	

PARTS CATALOGUE NEWS

BOOKNo. : 13ZM00E6

Block No.	Ref. No.	Part No.	Description	Reqd. QTY						Base Part No.	Parts catalogue code
				GCV 135	GCV 135 E	GCV 160	GCV 160 A	GCV 135 A	GCV 160 E		
	9		MARK, CHOKE INDICATION .....	-	0	-	-	-	-	87528-ZOL-800	
	16	87102-ZOM-V62	MARK, EMBLEM (GCV135) .....	-	1	-	-	-	-		S4E4, S4G4
	20	87114-ZH7-840	LABEL, WARNING (NOT CERTIFIED FOR SALE)	-	1	-	-	-	-		
	24	87529-ZOY-840	MARK, AUTO CHOKE .....	-	1	-	-	-	-		
	25	87101-ZM1-801	MARK, EMBLEM (GCV135) .....	-	1	-	-	-	-		S2E2, S2E3, S3E9, S3G9, S4E9, S4G9