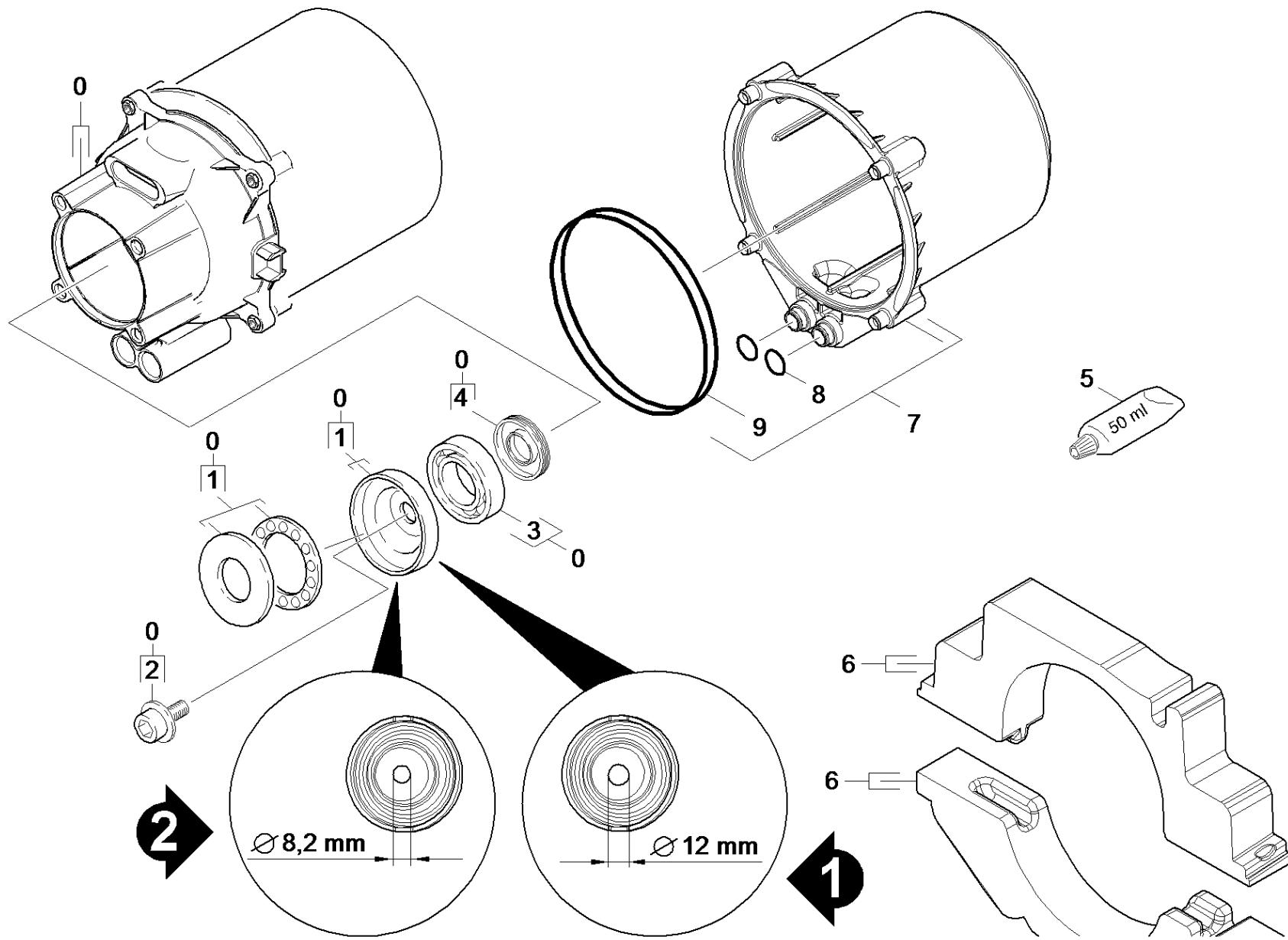


30 Motor

Overview technical documents/Home & Garden/High pressure cleaner cold water/Electric motor/K 5/K 5.700 *EU (1.181-300.0)/Spare parts list K5.700 Modul Range/30 Motor



30 Motor

Overview technical documents/Home & Garden/High pressure cleaner cold water/Electric motor/K 5/K 5.700 *EU (1.181-300.0)/Spare parts list K5.700 Modul Range/30 Motor

Rez.daļas/nodil.pakļ.dajas	Poz.	Materiāla Nr.	Nosaukums	Daudzums	Pārdoš. vienība
X-X	0	9.001-814.0	Motors, pilns komplekts	1.000	ST
X-X	1	9.001-880.0	Slīpā paplāksne, pilns komplekts 11°45'	1.000	ST
	1	9.001-289.0	Slīpā paplāksne	1.000	ST
	2	9.086-205.0	Screw	1.000	ST
	3	7.401-010.0	Lodīšu gultnis 6303 -St DIN 625	1.000	ST
	4	9.078-007.0	Rotary shaft seal 17x35x5	1.000	ST
	5	6.964-092.0	Viskoza eļļa 50 ml	1.000	ST
X-X	6	9.001-799.0	web	1.000	ST
X-X	7	9.001-918.0	Motora vāks	1.000	ST
X-X	8	9.080-455.0	Seal 10x2,8	2.000	ST
X-X	9	9.080-453.0	O-Ring seal 95x6	2.000	ST