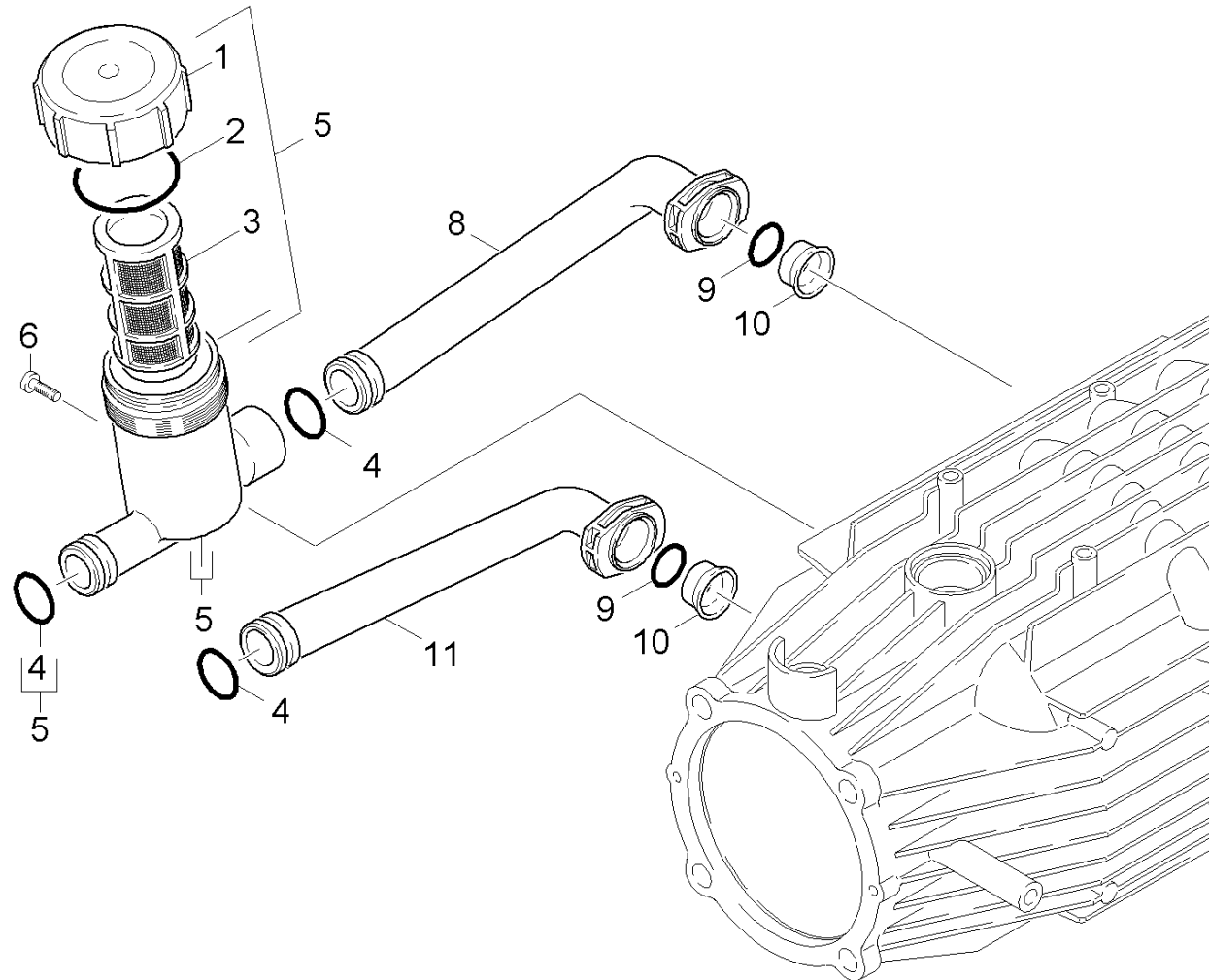


## 24 Water filter

Overview technical documents/Professional/High pressure cleaner cold water/Electric motor/HD 10/25-4 SX Plus \*EU-II (1.286-507.0)/Spare parts list HD 10/25 SX/20 Pump set/24 Water filter



## 24 Water filter

Overview technical documents/Professional/High pressure cleaner cold water/Electric motor/HD 10/25-4 SX Plus \*EU-II (1.286-507.0)/Spare parts list HD 10/25 SX/20 Pump set/24 Water filter

Rez.daļas/nodil.pakļ.daļas	Poz.	Materiāla Nr.	Nosaukums	Daudzums	Pārdoš. vienība	no sēr. Nr..	līdz sēr. Nr.
X-X	1	5.064-453.0	Cover qusty grey	1.000	ST	0000000000	0000000000
X-X	2	5.363-613.0	Blīve	1.000	ST	0000000000	0000000000
X-X	3	6.414-681.0	Filter cartridge	1.000	ST	0000000000	0000000000
X-X	4	6.362-686.0	Gredzenblīve 20,0 X 3,0	3.000	ST	0000000000	0000000000
X-X	5	4.730-161.0	Filter from 4.730-106.0	1.000	ST	0000000000	0000000000
	6	6.303-153.0	Screw M5x15-ST-R2R (IN6RD)	1.000	ST	0000000000	0000000000
X-X	8	5.427-307.0	Cauruļvads	1.000	ST	0000000000	0000000000
X-X	9	6.362-579.0	Gredzenblīve 17,5 X 3,5	2.000	ST	0000000000	0000000000
X-X	10	5.110-341.0	Sleeve	2.000	ST	0000000000	0000000000
X-X	11	5.427-298.0	Īsais cauruļvads	1.000	ST	0000000000	0000000000