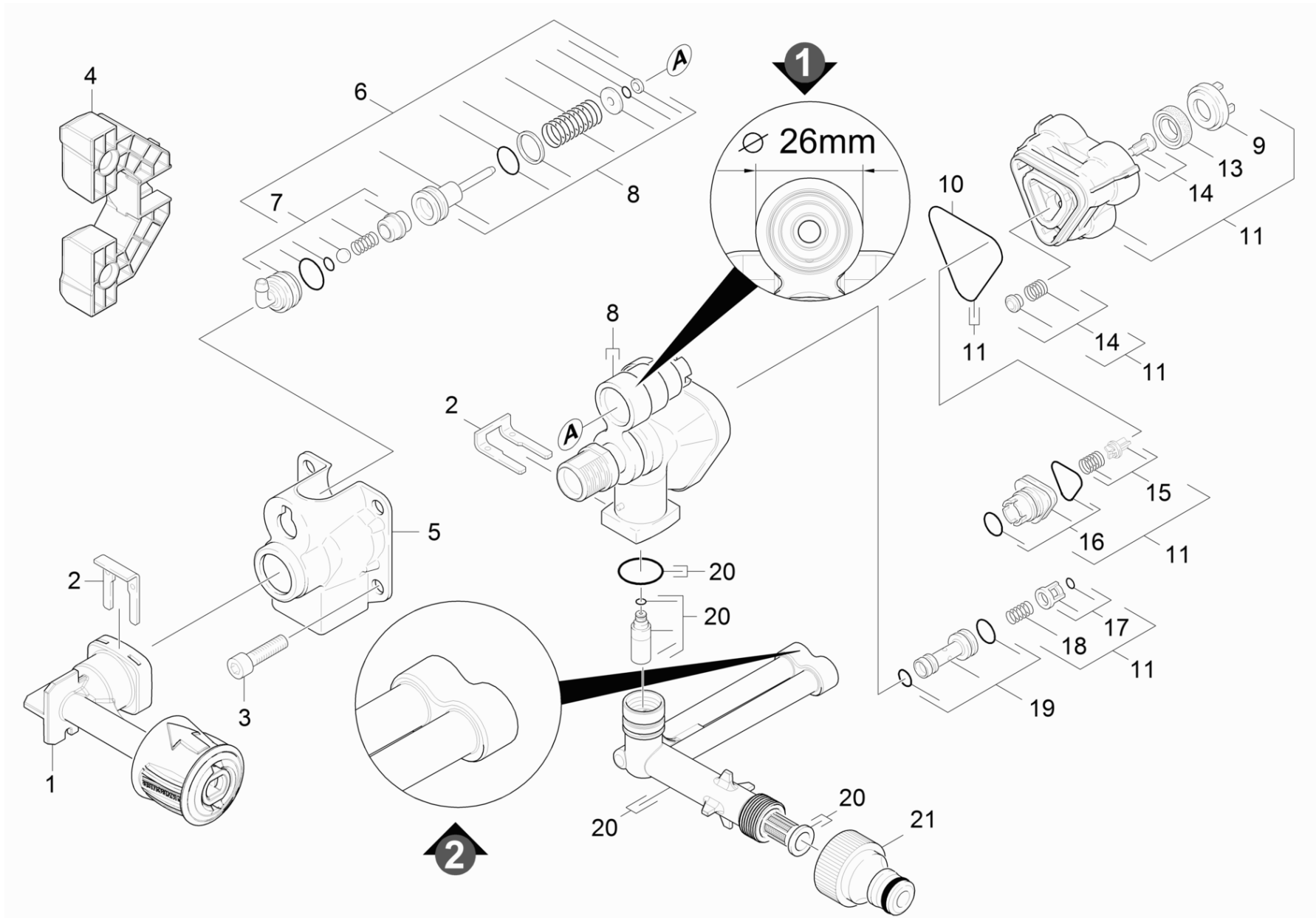


22 Housing

Overview technical documents/Home & Garden/High pressure cleaner cold water/Electric motor/K 4/K 4 (1.180-150.0)/Spare parts list K4 Classic/20 Pump set/22 Housing



22 Housing

Overview technical documents/Home & Garden/High pressure cleaner cold water/Electric motor/K 4/K 4 (1.180-150.0)/Spare parts list K4 Classic/20 Pump set/22 Housing

Rez.daļas/nodil.pakļ.daļas	Poz.	Materiāla Nr.	Nosaukums	Daudzums	Pārdoš. vienība
X-X	1	9.001-749.0	augstsp. caurules savienojošais elements	1.000	ST
	2	9.039-148.0	metal fork	2.000	ST
	3	9.086-200.0	Screw M 8x55 Class 8.8	4.000	ST
	4	9.037-673.0	Sūkņa balstenis (tilts)	1.000	ST
	5	9.039-308.0	Cover K130	1.000	ST
	6	9.001-981.0	Piston and water intake wcm	1.000	ST
	7	9.001-741.0	Korpusa kompaktais modulis, priekšējais	1.000	ST
X	8	9.002-010.0	Conversion kit housing new D=22mm	1.000	ST
X	9	9.038-428.0	Supportring 6,7 mm	3.000	ST
Pozīcijas teksts: 1.180-151.0/-154.0/100.0/-130.0/-150.0/-153.0/-156.0/-163.0					
	9	9.037-059.0	Balstgredzens	3.000	ST
	10	9.081-422.0	Veidnes blīve	1.000	ST
X-X	11	9.001-693.0	Cilindra galvas rezerves daļu kompl. WCP	1.000	ST
X	12	9.080-455.0	Seal 10x2,8	2.000	ST
	13	6.362-875.0	Gredzens ar gropi	3.000	ST
	14	9.001-110.0	Veidnes detaļa, pilns komplekts	1.000	ST
	15	9.001-149.0	Vārstu komplekts	1.000	ST
	16	9.001-106.0	Savienotājdetaļa	1.000	ST
	17	9.001-107.0	Aptvere, pilns komplekts	1.000	ST
	18	9.047-026.0	Atspere	1.000	ST
	19	9.001-108.0	Inžektors, pilns komplekts	1.000	ST
X	20	9.001-980.0	inlet fitting Ratio 1 spare parts	1.000	ST
	21	6.465-031.0	connection	1.000	ST