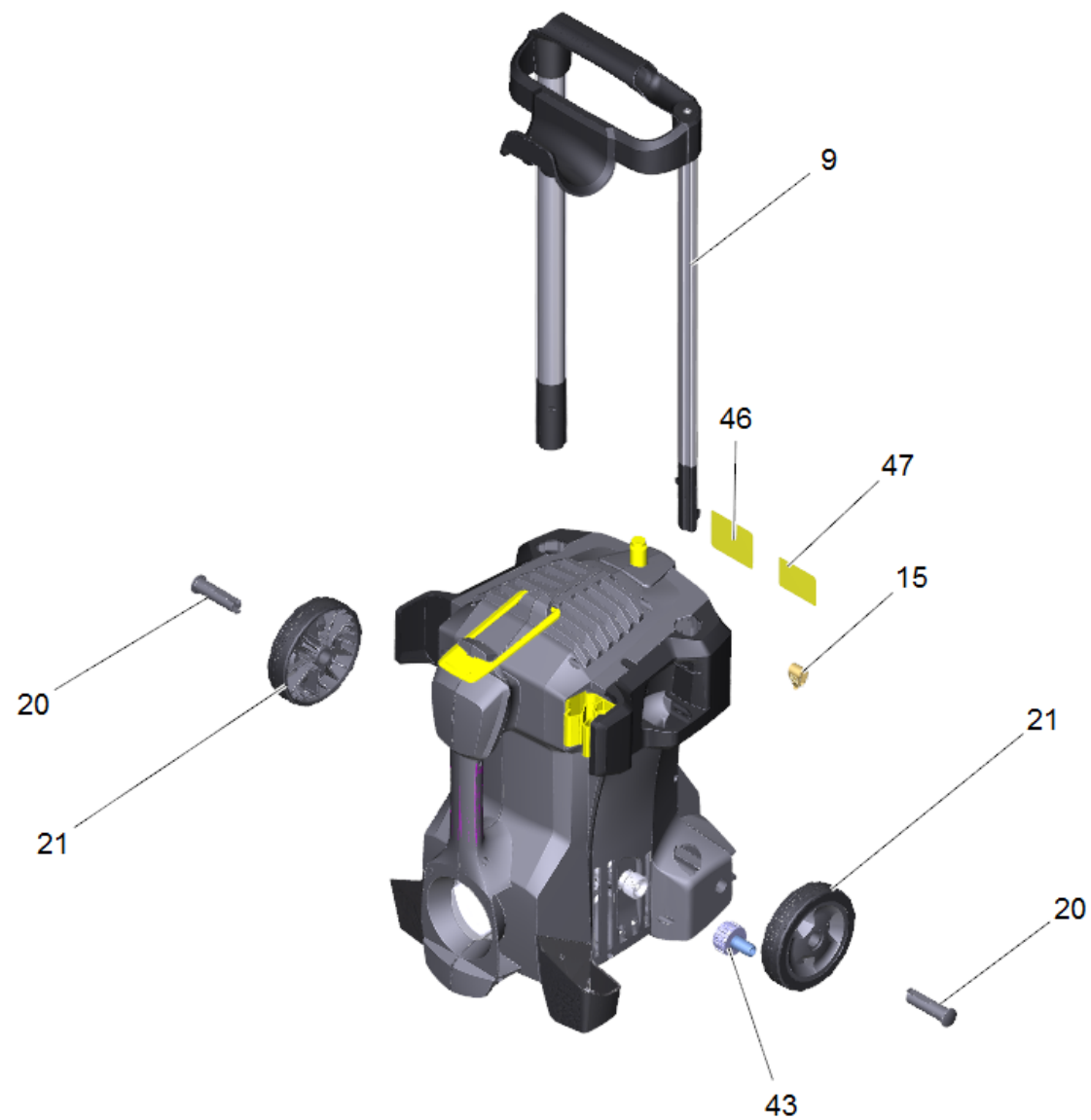


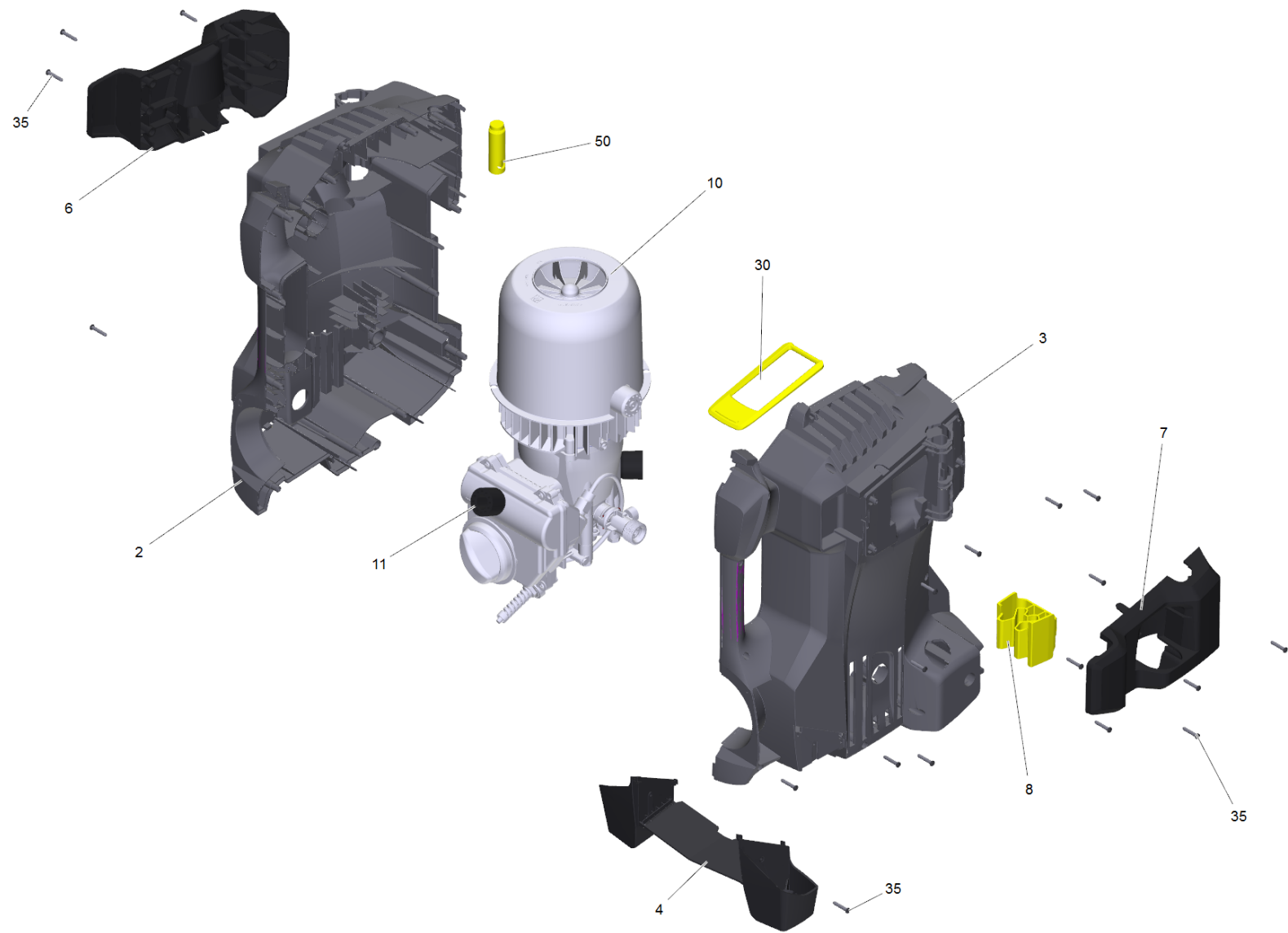
Spare parts list

(5.973-198.0) Spare parts list PRO HD 600

Table of contents

Spare parts list PRO HD 600 (5.973-198.0)	3
9 Handhold complete	6
10 Pump set ProHD 600	8
1 Piston guidance complete HD-P	10
2 Cylinder head complete without RM	12
70 Nozzle insert (4.769-035.0)	14
3 Motor complete only for replacement (4.532-106.0)	16
1 Motor complete	18
16 Electric box complete (4.800-852.0)	20
100 Pump set HD-P/ProHD (2.883-037.0)	22
1 Suction valve complete (4.580-308.0)	23
2 Valve (3 Stück) (2.884-916.0)	25
3 Joining piece only for replacement (4.030-125.0)	27
10 Excess-current complete for replacement D6,0 PUR (4.580-665.3)	29
999 Moulded part complete only for replaceme (4.030-123.0)	31
12 Valve pin complete (4.584-022.0)	33
13 Drain plug only for replacement (4.132-007.0)	35
43 Screw connector part (4.401-056.0)	37
999 Accessories	39
11 Hand trigger gun	40
12 Hand trigger gun	42
1 HAND TRIGGER GUN EASY PRESS (4.775-463.0)	44
13 High pressure hose	46
1 Hose assembly standard DN6 25MPa 10m (6.391-238.0)	48
14 Jet pipe	50
1 Jet pipe packaged only for replacement (4.760-663.0)	52
15 Screw connector part	54
16 Power nozzle	56





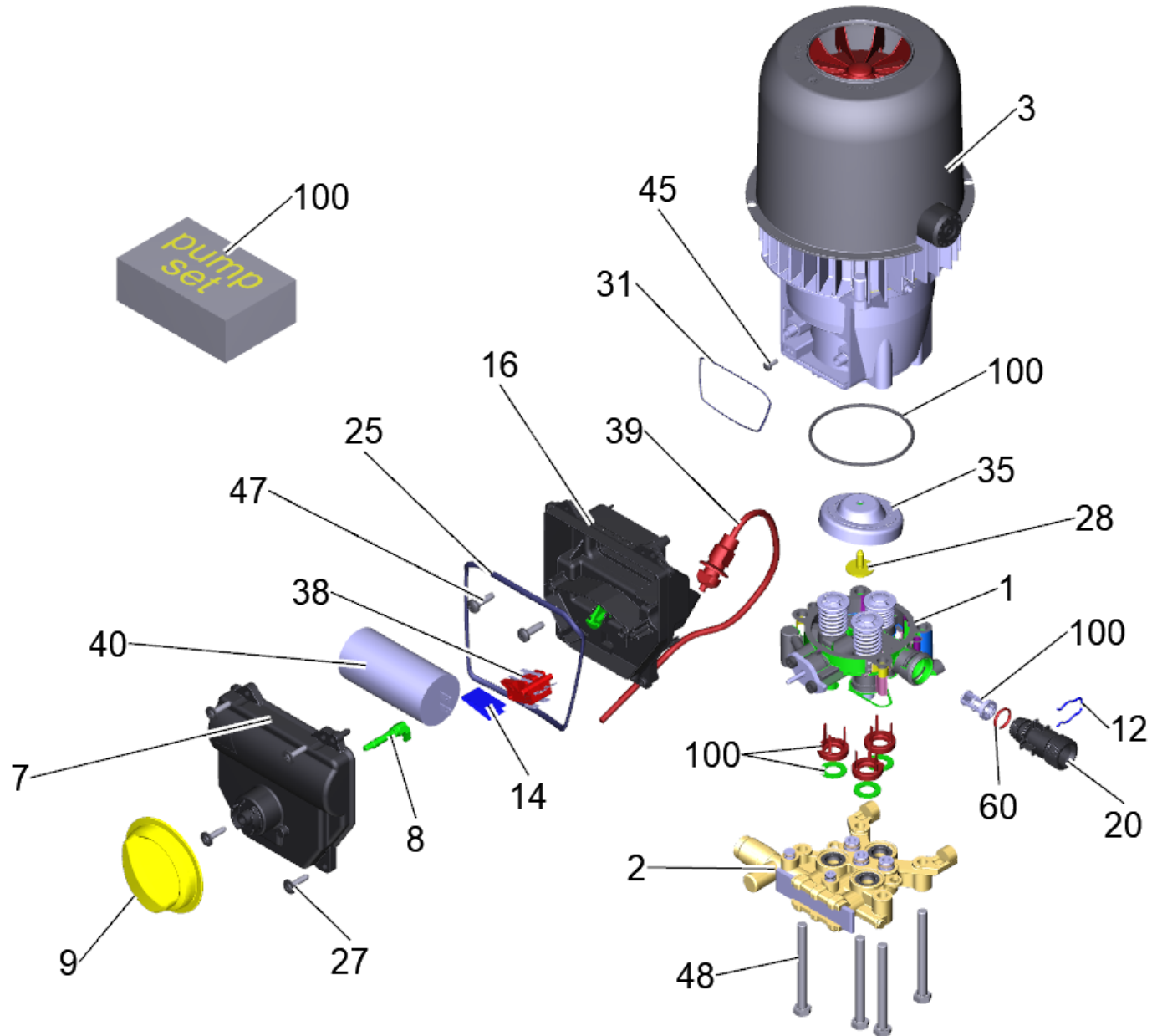
Spare parts list PRO HD 600 (5.973-198.0)

POS	Article no.	Description	Quantity	Unit
9		Handhold complete	1	PC
999		Accessories	1	PC
10		Pump set ProHD 600	1	PC
43	4.401-056.0	Screw connector part	1	PC
20	5.317-789.0	Bolt	2	PC
30	5.379-043.0	Strap	1	PC
46	5.384-666.0	Label 87 dB	1	PC
47	5.387-620.0	Warning sticker-Prevent from freezing	1	PC
21	5.515-023.0	Wheel D120	2	PC
2	5.645-847.3	Housing left for replacement	1	PC
3	5.645-848.3	Housing right for replacement	1	PC
8	5.645-849.0	Holder jet pipe	1	PC
50	5.645-852.0	Retainer accessories	1	PC
4	5.645-992.0	Tubular brush-holder with crosshead	1	PC
7	5.646-024.0	Holder right	1	PC
6	5.646-025.0	Holder left	1	PC
11	5.767-005.0	Rubber buffer	3	PC
35	6.303-566.0	Screw 4,2x22 R2R	20	PC
15	6.647-681.0	Cable clip	1	PC



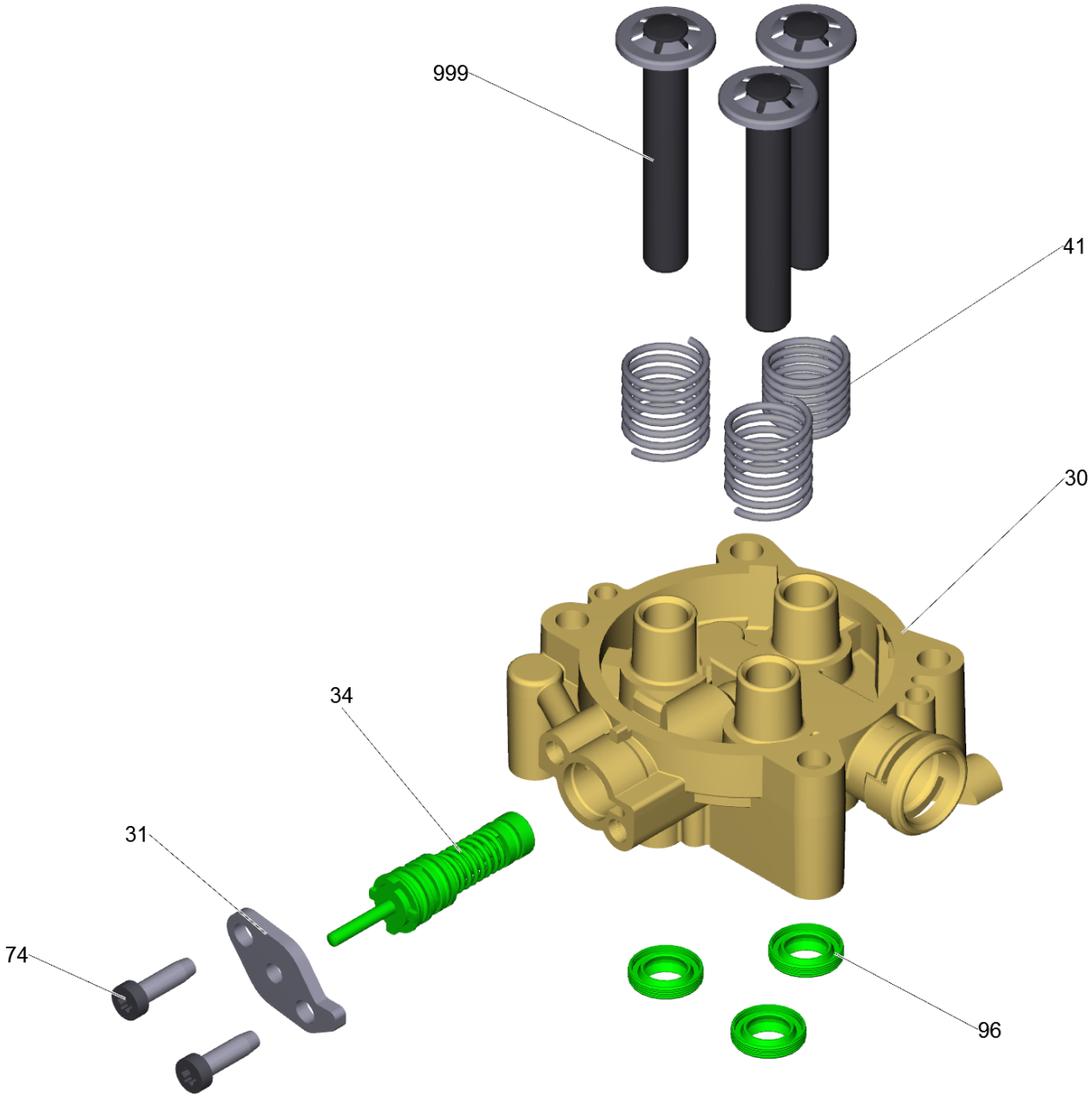
9 Handhold complete

POS	Article no.	Description	Quantity	Unit
1	5.324-177.0	Hand grip	1	PC
3	5.645-871.0	End piece	2	PC
2	5.645-889.0	Tube Trolley	2	PC
4	6.303-562.0	Saucer-head screw D4x55	4	PC



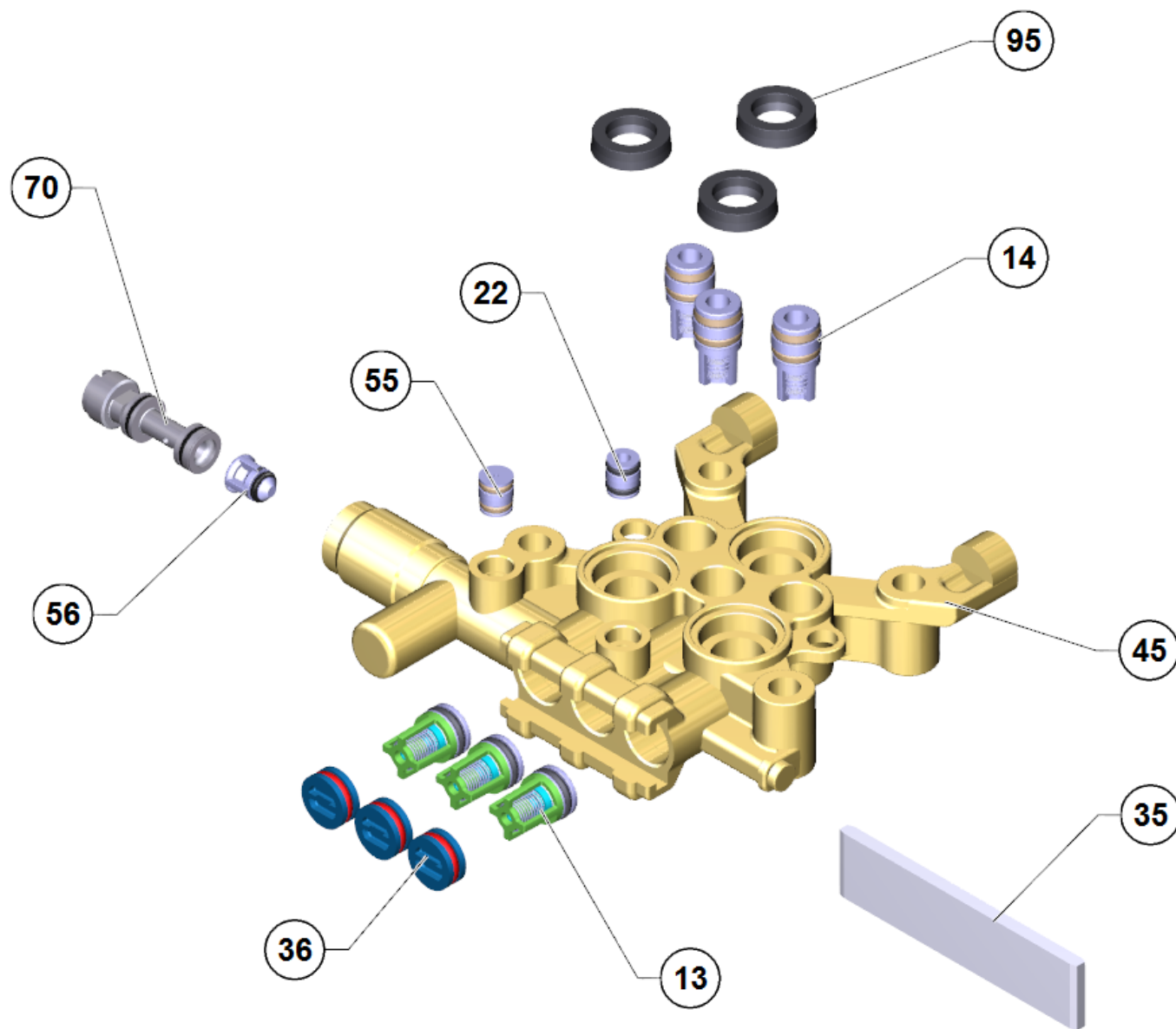
10 Pump set ProHD 600

POS	Article no.	Description	Quantity	Unit
1		Piston guidance complete HD-P	1	PC
2		Cylinder head complete without RM	1	PC
100	2.883-037.0	Pump set HD-P/ProHD	1	PC
3	4.532-106.0	Motor complete only for replacement	1	PC
16	4.800-852.0	Electric box complete	1	PC
12	5.048-915.0	Clamp	1	PC
7	5.064-037.0	Cover electric box	1	PC
8	5.100-192.0	Selector shaft	1	PC
14	5.337-027.0	Plate spring	1	PC
20	5.443-002.0	Tube water intake	1	PC
25	6.273-194.0	Cord cellular rubber	1	PC
26	6.288-050.0	Engine oil 1L	1	PC
27	6.303-125.0	Screw 5x20-Sonder In6Rd+Spitze	4	PC
28	6.304-048.0	Cylinder head screw M6x19	1	PC
31	6.362-887.0	O-Ring seal 65,0 X 2,5	1	PC
60	6.363-610.0	O-Ring seal 13 x 3 -NBR	1	PC
35	6.401-350.0	Wobble plate	1	PC
38	6.631-946.0	Micro switch	1	PC
39	6.650-438.0	Cable with plug	1	PC
40	6.661-129.0	Capacitor 25MF	1	PC
45	7.303-031.0	Screw M4x10 -St-P2R (In6Rd)	1	PC
47	7.303-048.0	Screw M6x20 -St-R3R (In6Rd)	2	PC
48	7.304-098.0	Hexagonal head screw M8x80-8.8-A2E ISO	4	PC
9	9.761-531.0	Handle (5.322-151.0)	1	PC



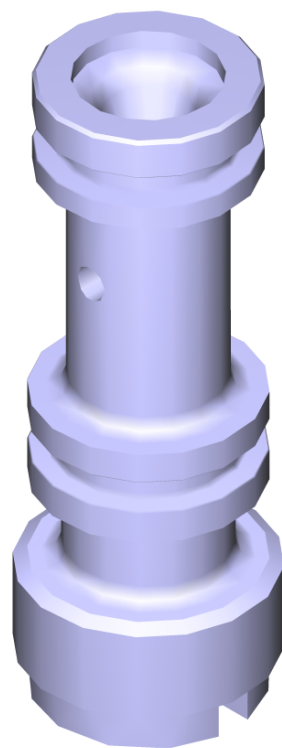
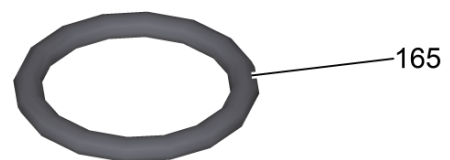
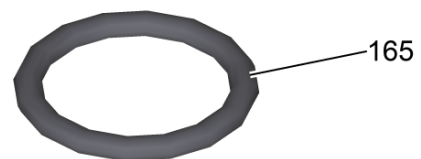
1 Piston guidance complete HD-P

POS	Article no.	Description	Quantity	Unit
31		Part at pump set	1	PC
34		Part at pump set	1	PC
96		Part at pump set	1	PC
999	4.553-234.0	Piston complete only for replacement D12	3	PC
30	5.060-094.3	Piston guidance only for replacement	1	PC
41	5.332-391.0	Pressure spring	3	PC
120	6.288-044.0	Silicon grease 100 G	1	PC
125	6.288-050.0	Engine oil 1L	1	PC
74	7.303-048.0	Screw M6x20 -St-R3R (In6Rd)	2	PC



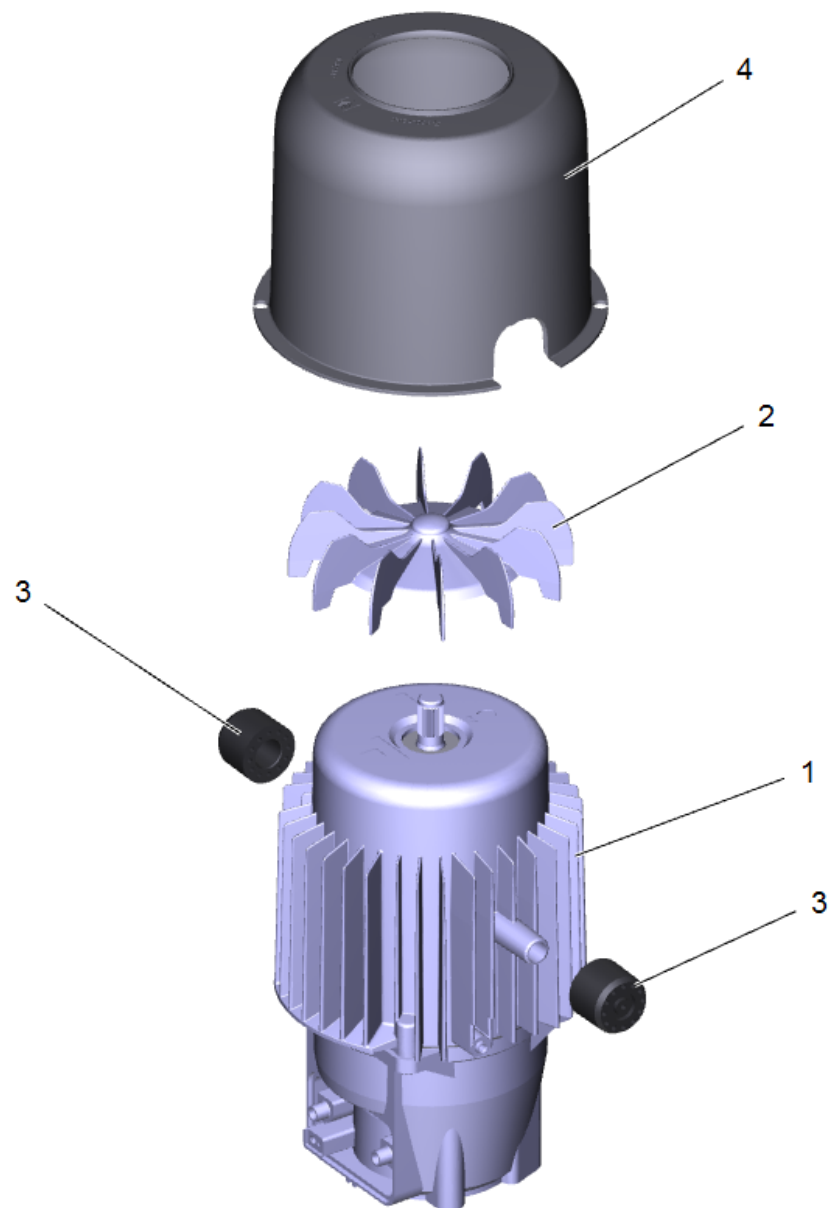
2 Cylinder head complete without RM

POS	Article no.	Description	Quantity	Unit
13		Part at pump set	1	PC
14		Part at pump set	1	PC
22		Part at pump set	1	PC
36		Part at pump set	1	PC
55		Part at pump set	1	PC
56		Part at pump set	1	PC
95		Part at pump set	1	PC
70	4.769-035.0	Nozzle insert	1	PC
35	5.003-062.0	Plate	1	PC
45	5.550-001.0	Cylinder head without cleaning agents	1	PC



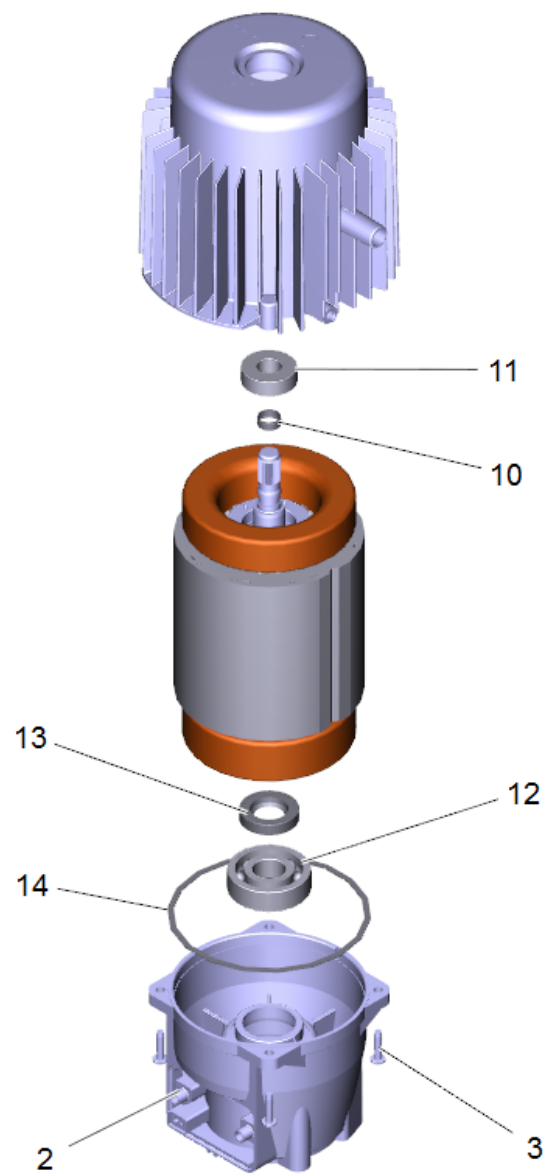
70 Nozzle insert (4.769-035.0)

POS	Article no.	Description	Quantity	Unit
165	6.362-384.0	O-Ring seal 9x1,5 - NBR 70	2	PC



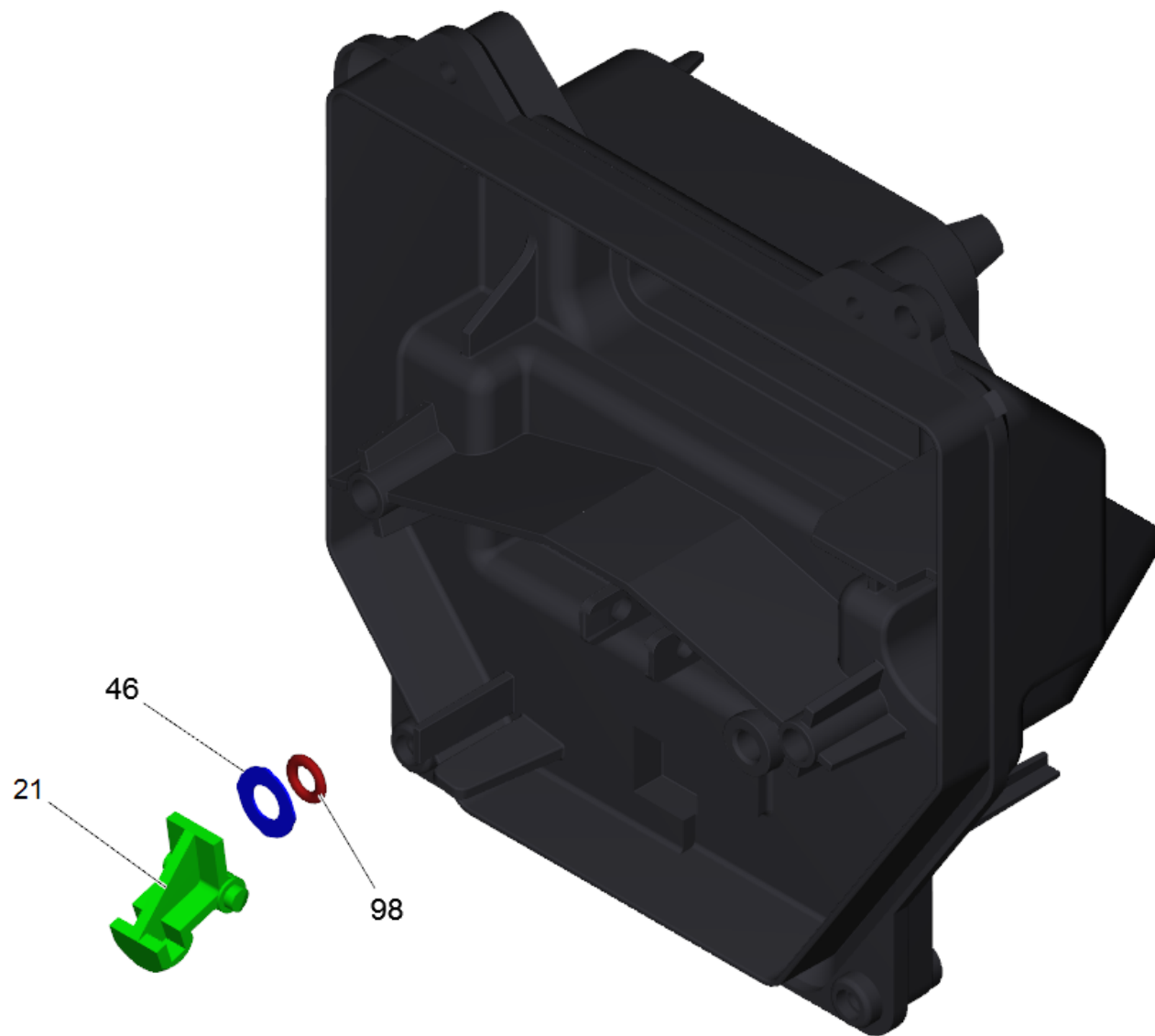
3 Motor complete only for replacement (4.532-106.0)

POS	Article no.	Description	Quantity	Unit
1		Motor complete	1	PC
2	5.600-038.0	Blower wheel	1	PC
4	5.692-124.0	Air circulation	1	PC
3	5.767-005.0	Rubber buffer	2	PC



1 Motor complete

POS	Article no.	Description	Quantity	Unit	Remark
11	4.401-198.0	Ball bearing 6202-2RS -Wälzl.St DIN 625	1	PC	
2	5.093-271.0	Bearing plate A	1	PC	
14	5.363-590.0	Joint ring	1	PC	
3	6.303-320.0	Screw M 5x 20-St-R2R	4	PC	
10	6.343-218.0	Tolerance ring 15x6	1	PC	
13	6.367-051.0	Rotary shaft seal -20X37X8 NBR	1	PC	shaft Ø20mm
12	6.401-427.3	Angular contact ball bearing	1	PC	
13	7.367-018.0	Radial shaft seal ring A26x37x7 -NBR DI	1	PC	shaft Ø26mm

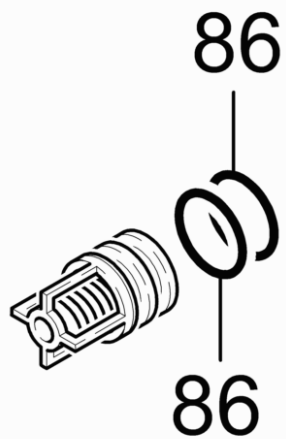


16 Electric box complete (4.800-852.0)

POS	Article no.	Description	Quantity	Unit
21	4.047-003.0	Rocker switch complete	1	PC
46	5.115-610.0	Washer	1	PC
98	6.506-019.0	O-Ring seal 3,68X 1,78	1	PC

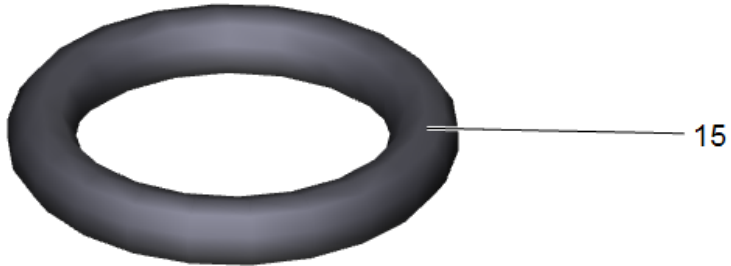
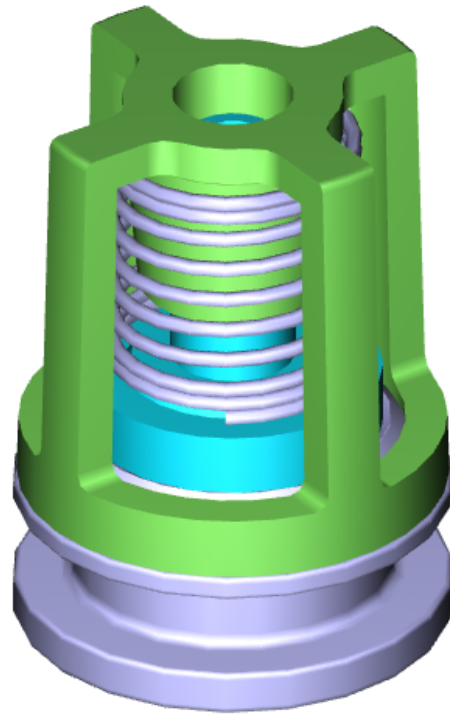
100 Pump set HD-P/ProHD (2.883-037.0)

POS	Article no.	Description	Quantity	Unit
2	2.884-916.0	Valve (3 Stück)	3	PC
4	4.030-070.0	Throttle complete	1	PC
3	4.030-125.0	Joining piece only for replacement	1	PC
900	4.100-792.0	Set of gaskets	1	PC
13	4.132-007.0	Drain plug only for replacement	3	PC
1	4.580-308.0	Suction valve complete	3	PC
10	4.580-665.3	Excess-current complete for replacement D6,0 PUR	1	PC
12	4.584-022.0	Valve pin complete	1	PC
8	5.064-127.0	Cover	1	PC
11	5.731-004.0	Fine filter short (2015/17)	1	PC
6	6.288-088.0	Grease Molikote 55 M	1	PC
9	7.303-042.0	Screw M5x25 -St-R2R (In6Rd)	2	PC



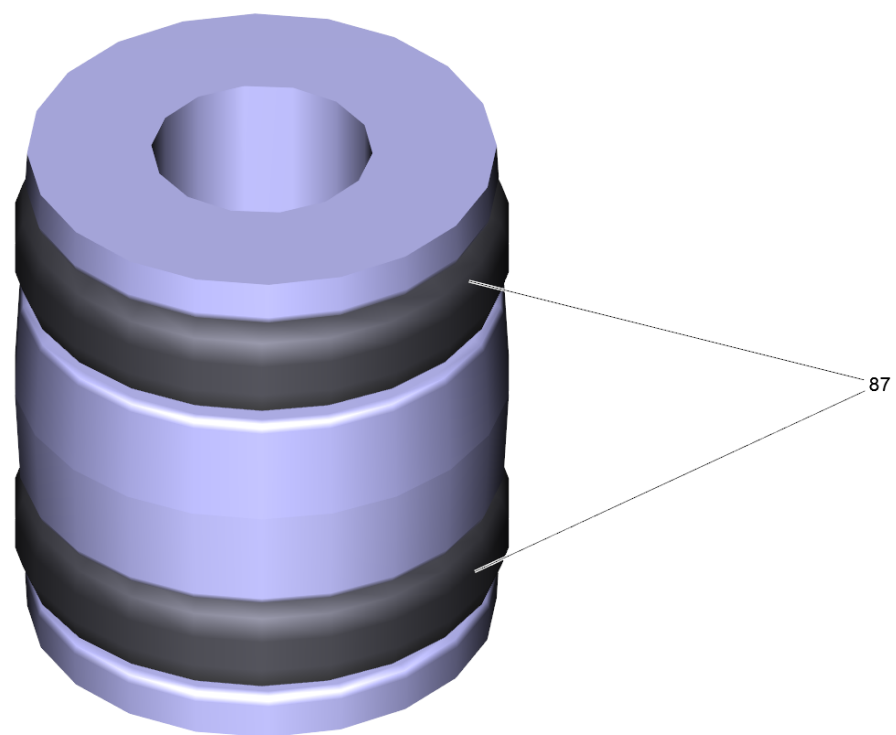
1 Suction valve complete (4.580-308.0)

POS	Article no.	Description	Quantity	Unit
86	6.363-614.0	O-Ring seal 9 x 2 -NBR90	2	PC



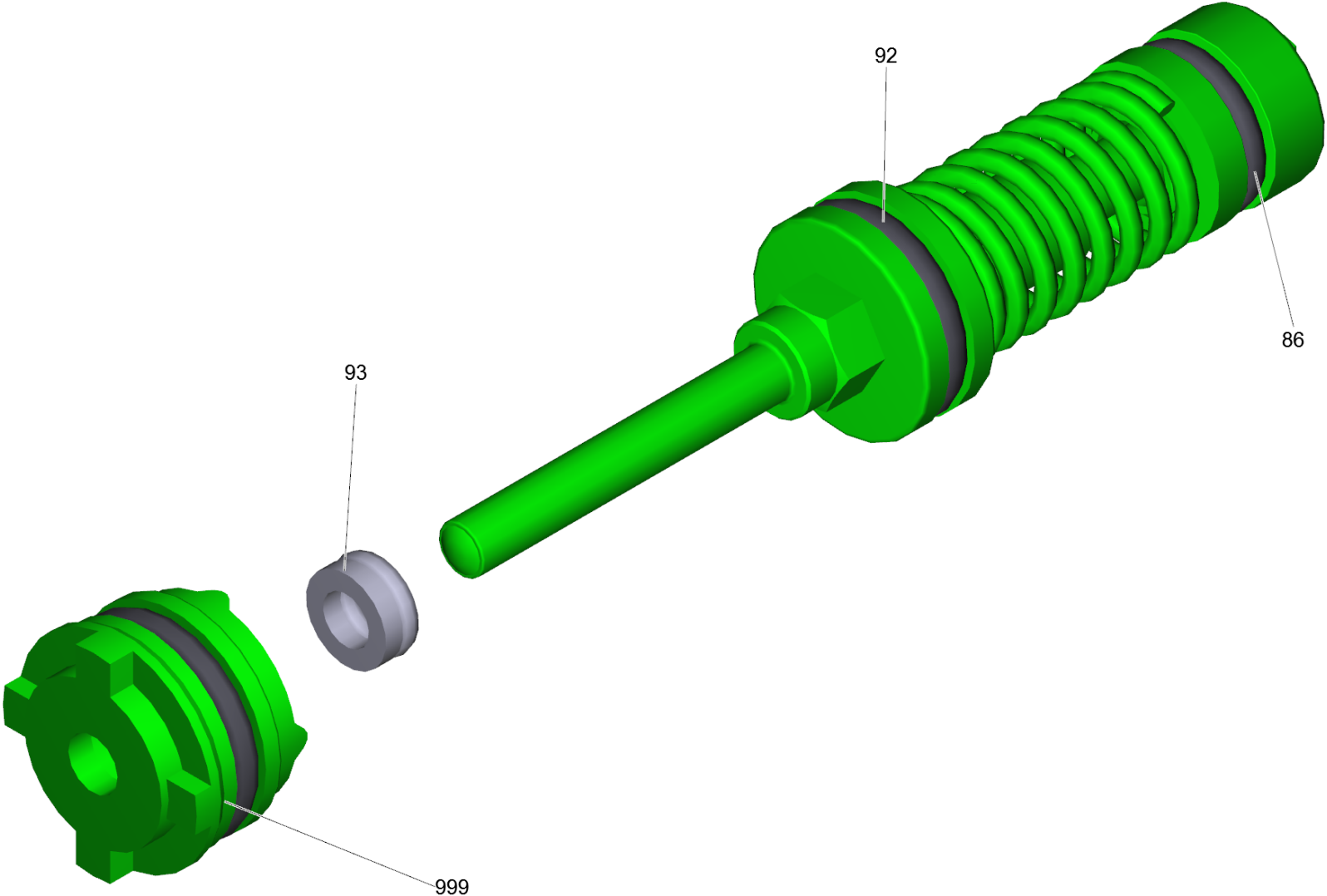
2 Valve (3 Stück) (2.884-916.0)

POS	Article no.	Description	Quantity	Unit
15	6.362-077.0	O-Ring seal 10 x 2,2 NBR 70	3	PC



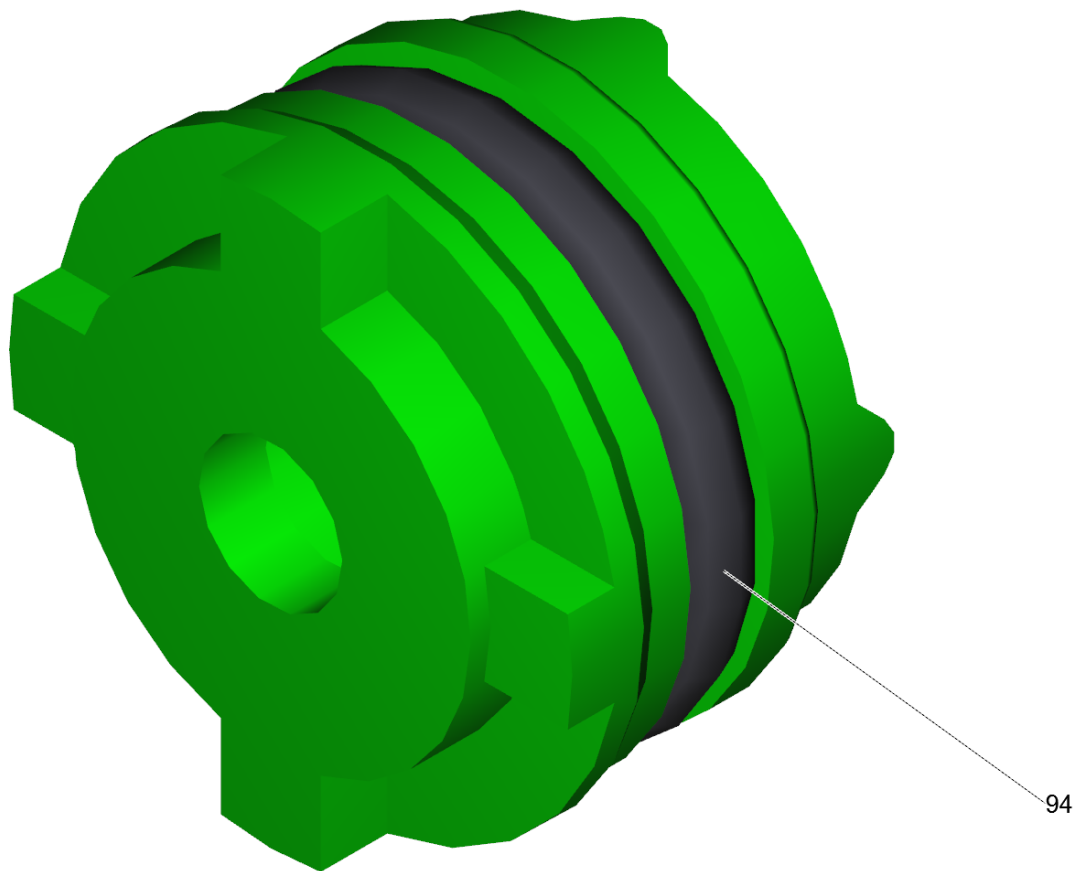
3 Joining piece only for replacement (4.030-125.0)

POS	Article no.	Description	Quantity	Unit
87	6.362-176.0	O-Ring seal 6,07x1,78	2	PC



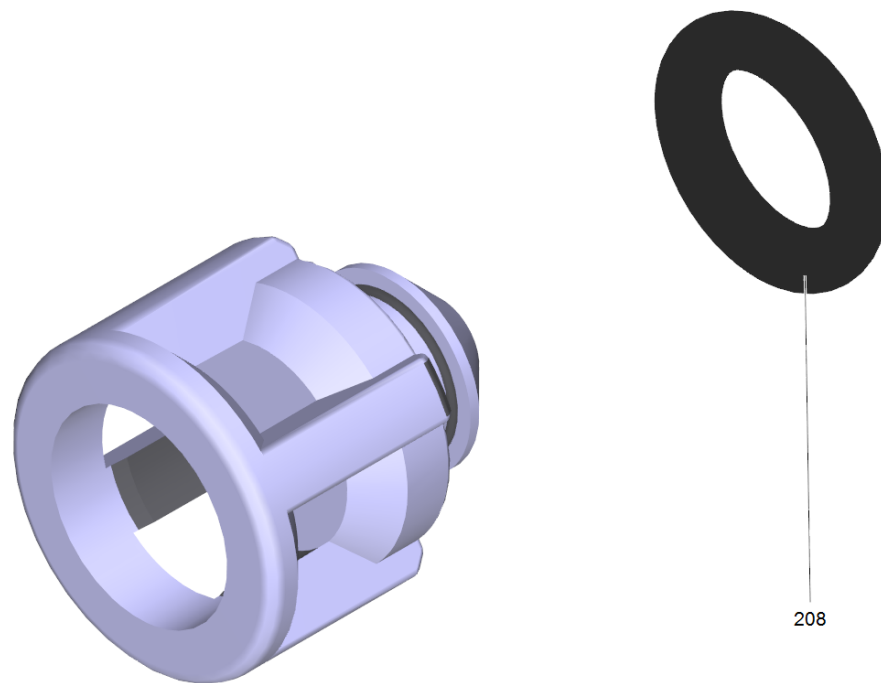
10 Excess-current complete for replacement D6,0 PUR (4.580-665.3)

POS	Article no.	Description	Quantity	Unit
999	4.030-123.0	Moulded part complete only for replaceme	1	PC
93	6.362-852.0	O-Ring seal complete 3,69	1	PC
92	6.363-281.0	O-Ring seal 12.42x1.78 -PUR 84	1	PC
86	6.363-614.0	O-Ring seal 9 x 2 -NBR90	1	PC



999 Moulded part complete only for replaceme (4.030-123.0)

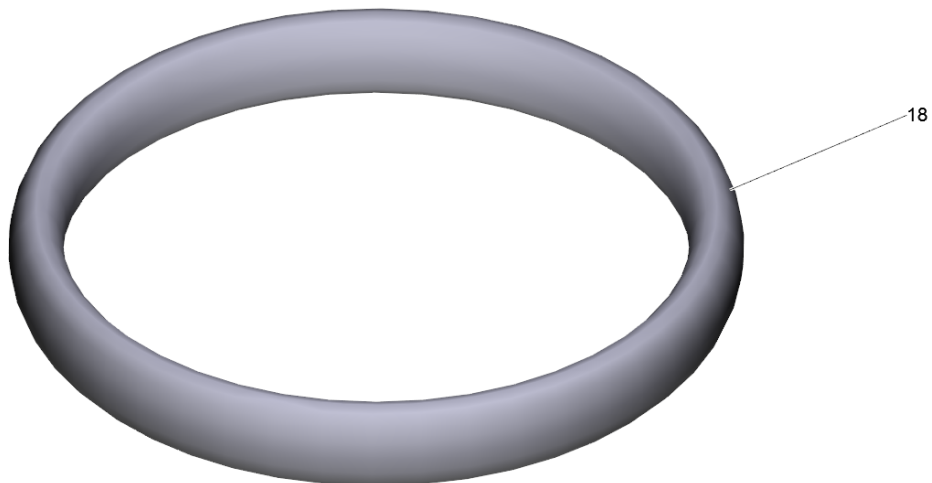
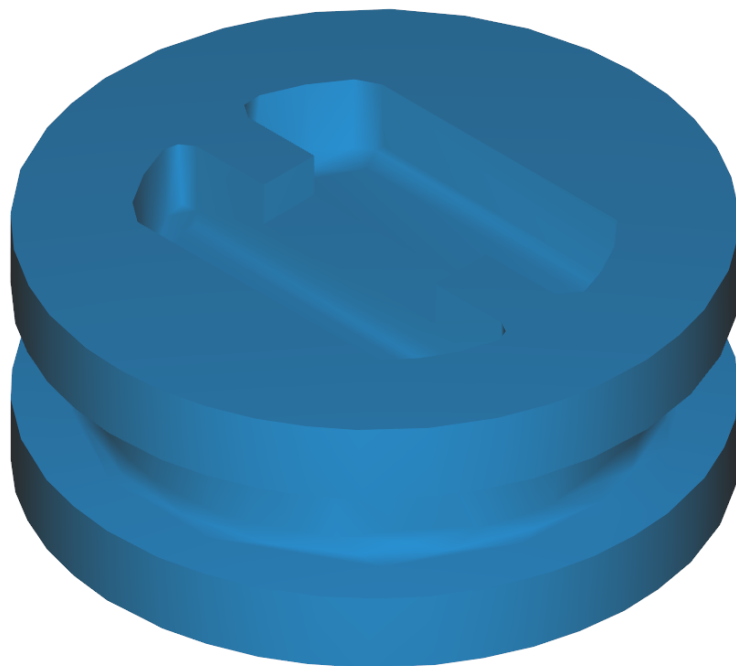
POS	Article no.	Description	Quantity	Unit
94	6.362-169.0	O-Ring seal 12,0 X 2,0	1	PC



208

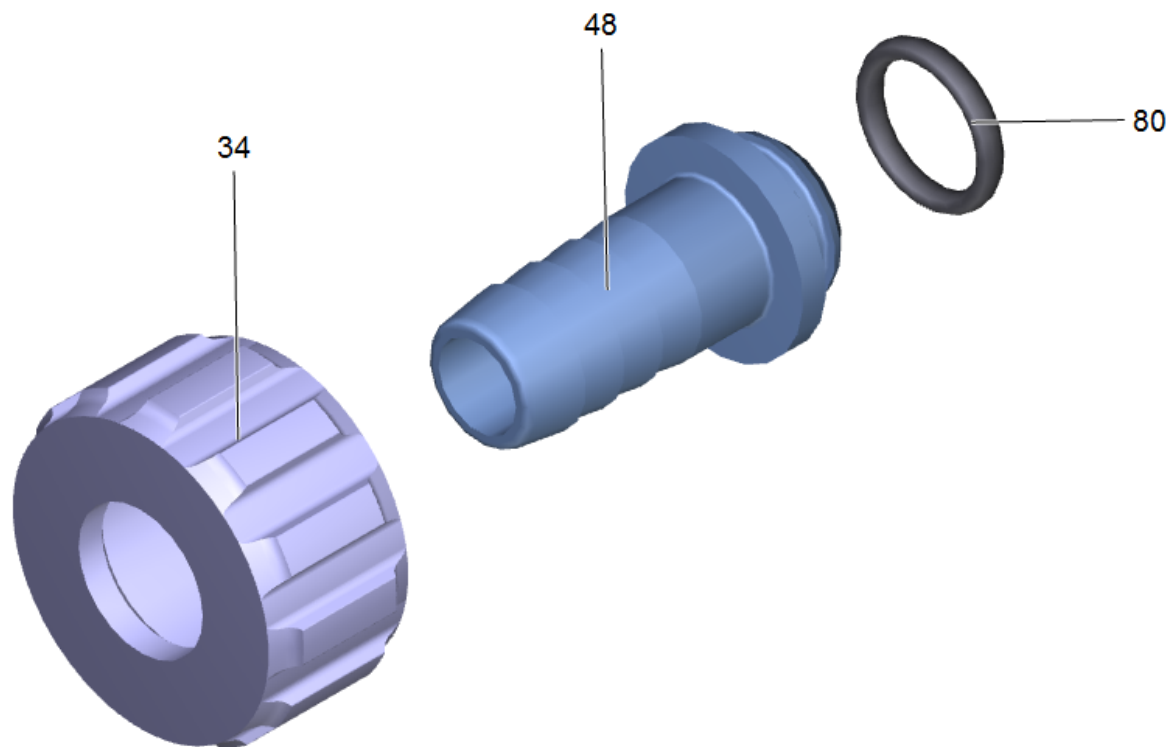
12 Valve pin complete (4.584-022.0)

POS	Article no.	Description	Quantity	Unit
208	6.363-613.0	O-Ring seal 4 x 2 -NBR90	1	PC



13 Drain plug only for replacement (4.132-007.0)

POS	Article no.	Description	Quantity	Unit
18	6.362-458.0	O-Ring seal 11,0x2,0-NBR 70	1	PC



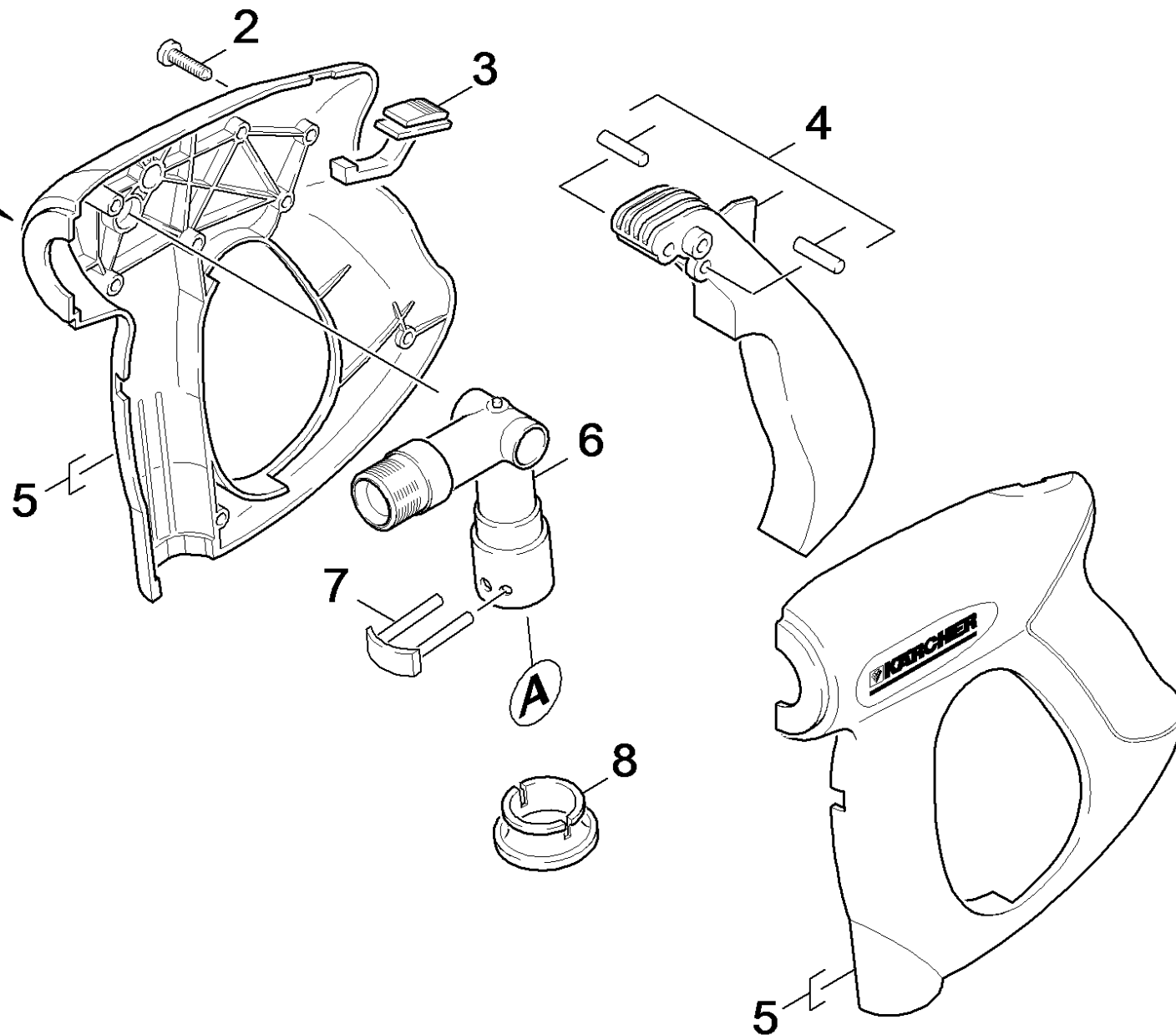
43 Screw connector part (4.401-056.0)

POS	Article no.	Description	Quantity	Unit
34	5.310-065.0	Nut	1	PC
48	5.443-229.0	Hose stem	1	PC
80	6.362-078.0	O-Ring seal 13,3x2,4	1	PC

999 Accessories

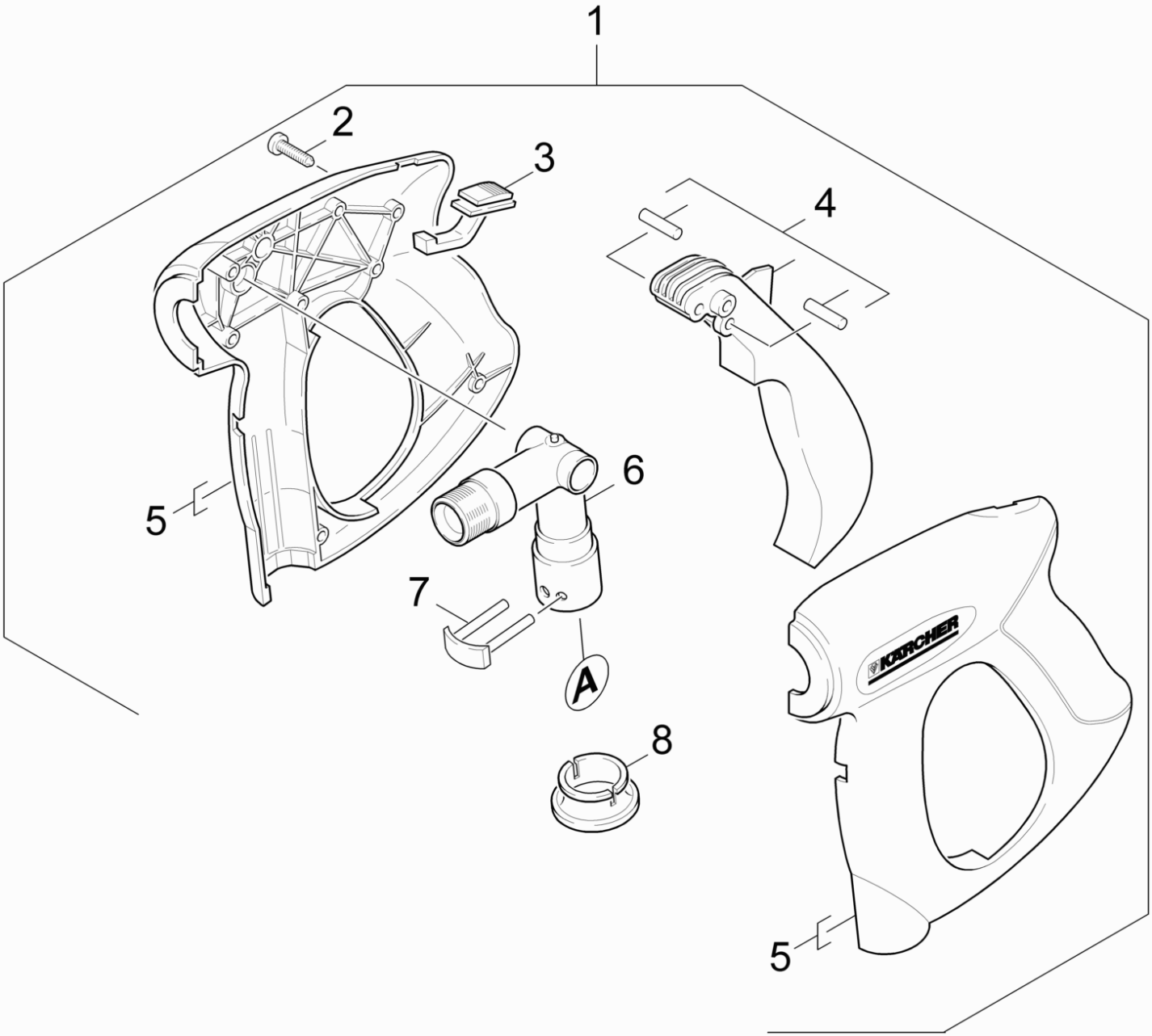
POS	Description	Quantity	Unit	Foot note text
11	Hand trigger gun	1	PC	VERSION 1
12	Hand trigger gun	1	PC	VERSION 2
13	High pressure hose	1	PC	
14	Jet pipe	1	PC	
15	Screw connector part	1	PC	
16	Power nozzle	1	PC	

max.30MPa
60°C



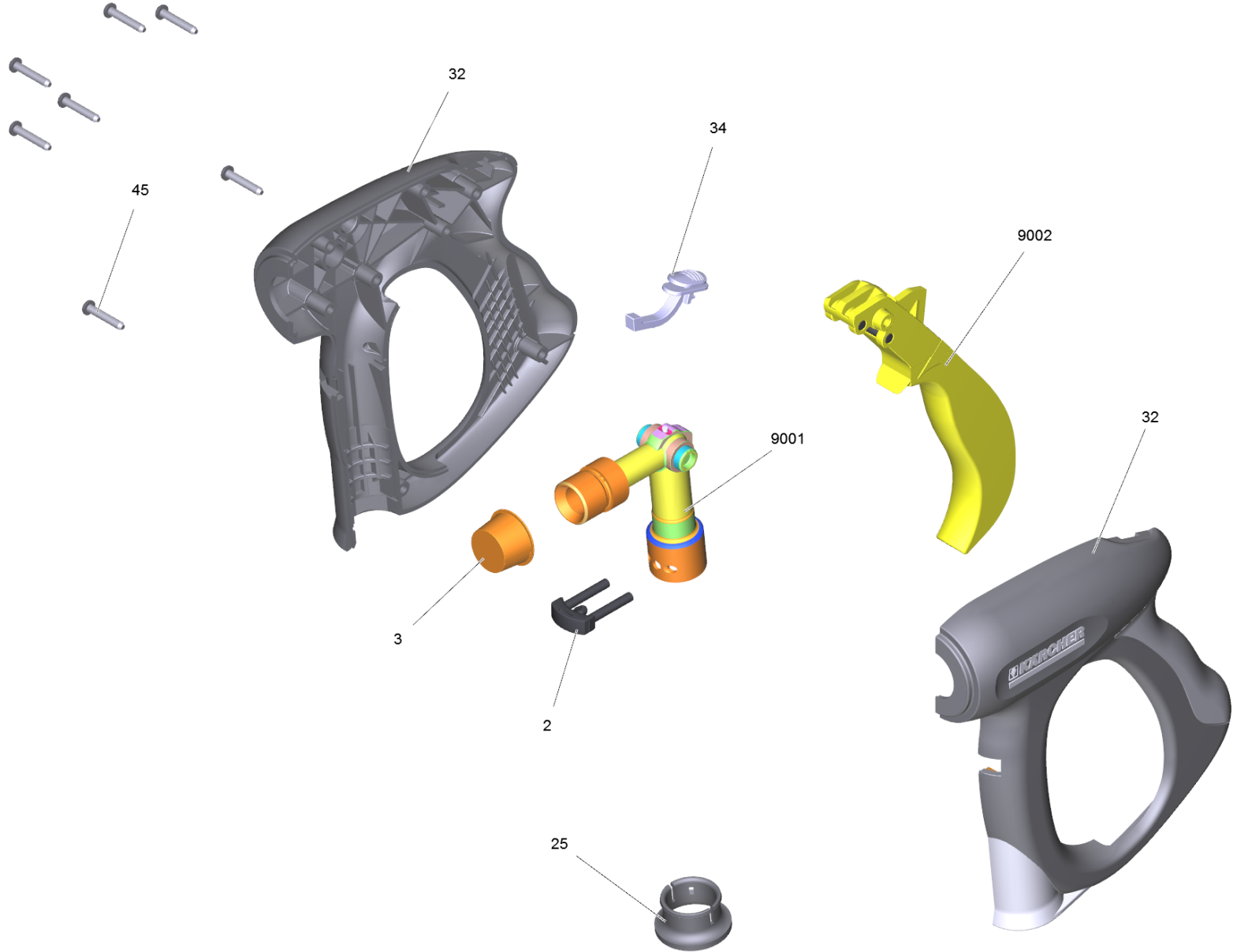
11 Hand trigger gun

POS	Article no.	Description	Quantity	Unit
7	4.037-013.0	Hook	1	PC
6	4.427-215.0	Manifold complete only for replacement	1	PC
4	4.481-209.3	Lever complete for replacement	1	PC
8	5.110-596.0	Sleeve	1	PC
5	5.322-013.0	Handhold few cold water Easy-Press	1	PC
3	5.481-331.0	Slider	1	PC
2	7.303-096.0	Screw 4x22-ST-10.9-R2R (IN6RD)	7	PC



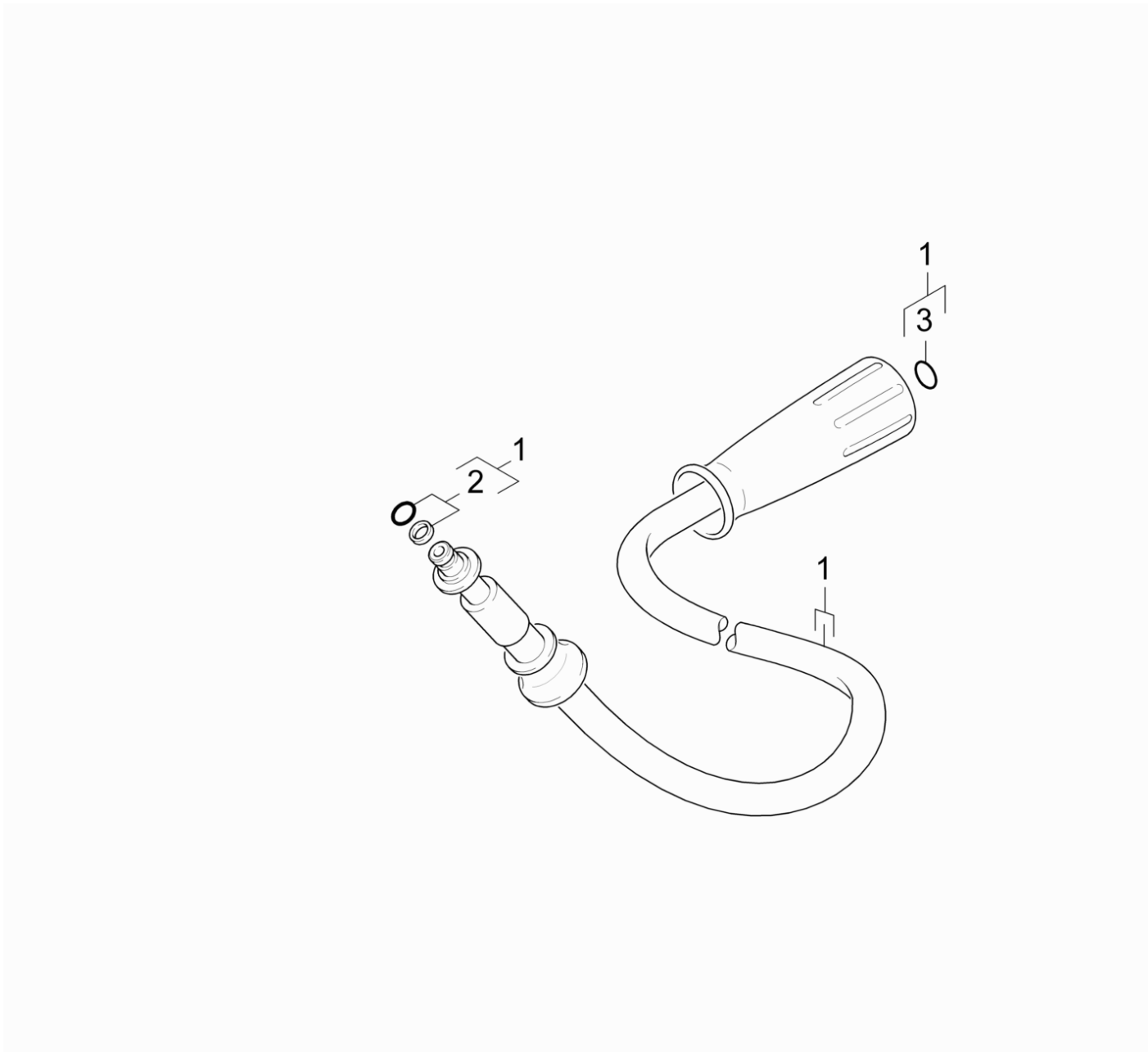
12 Hand trigger gun

POS	Article no.	Description	Quantity	Unit
7	4.037-013.0	Hook	1	PC
6	4.427-215.0	Manifold complete only for replacement	1	PC
4	4.481-209.3	Lever complete for replacement	1	PC
1	4.775-463.0	HAND TRIGGER GUN EASY PRESS	1	PC
8	5.110-596.0	Sleeve	1	PC
5	5.321-669.3	Handhold few	1	PC
3	5.481-331.0	Slider	1	PC
2	7.303-096.0	Screw 4x22-ST-10.9-R2R (IN6RD)	7	PC



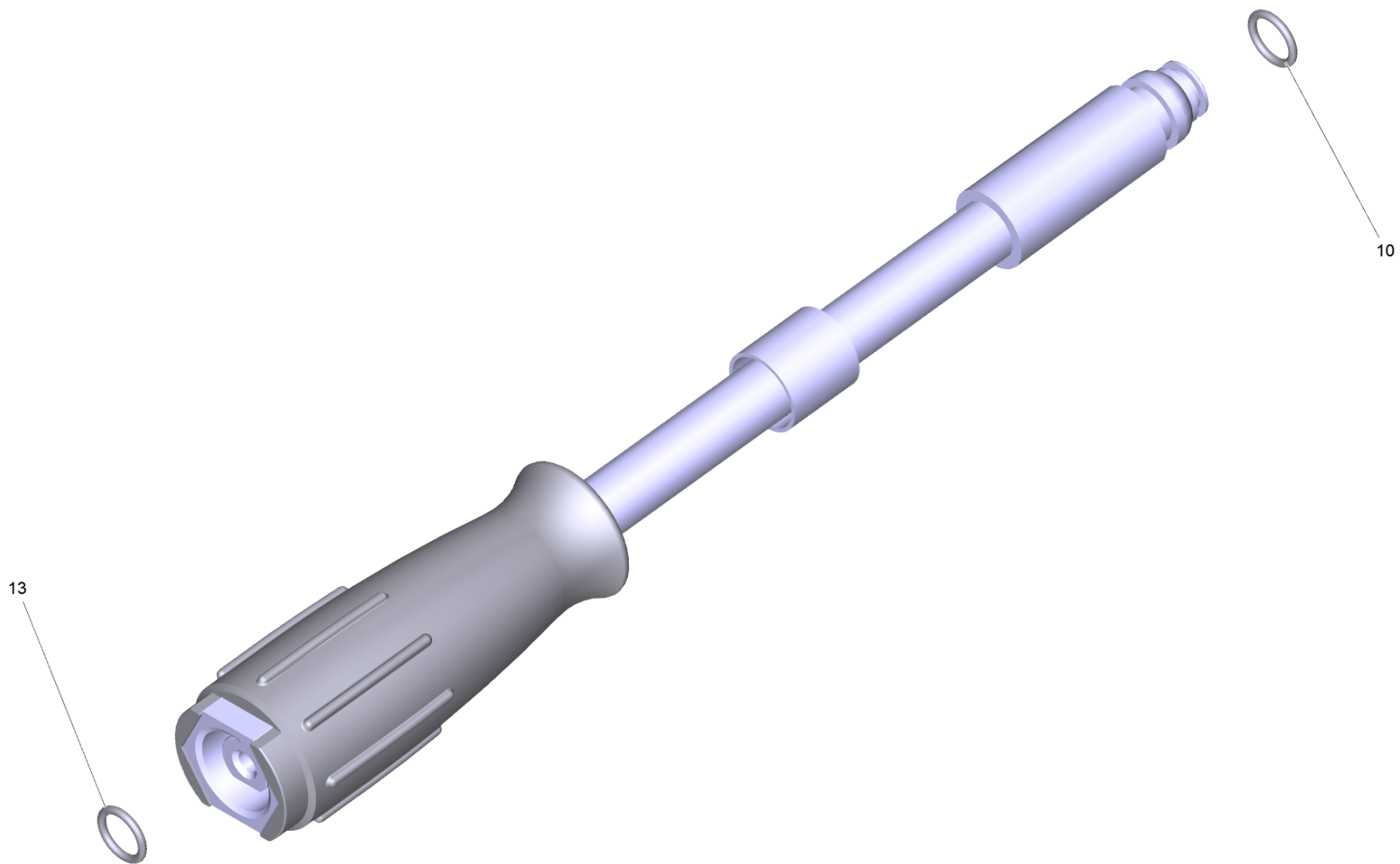
1 HAND TRIGGER GUN EASY PRESS (4.775-463.0)

POS	Article no.	Description	Quantity	Unit
2	4.037-013.0	Hook	1	PC
9001	4.427-215.0	Manifold complete only for replacement	1	PC
9002	4.481-209.3	Lever complete for replacement	1	PC
25	5.110-596.0	Sleeve	1	PC
32	5.321-669.3	Handhold few	1	PC
34	5.481-331.0	Slider	1	PC
1041	6.288-044.0	Silicon grease 100 G	1	PC
3	6.368-012.0	Protecting cap 22X1,5	1	PC
4	6.869-075.0	Metal bonding agent 1,5 ml	1	PC
	cart_info_txt: This material is not available due to hazardous good regulation. Please procure this or a similar material from a local supplier of your choice.			
45	7.303-096.0	Screw 4x22-ST-10.9-R2R (IN6RD)	7	PC



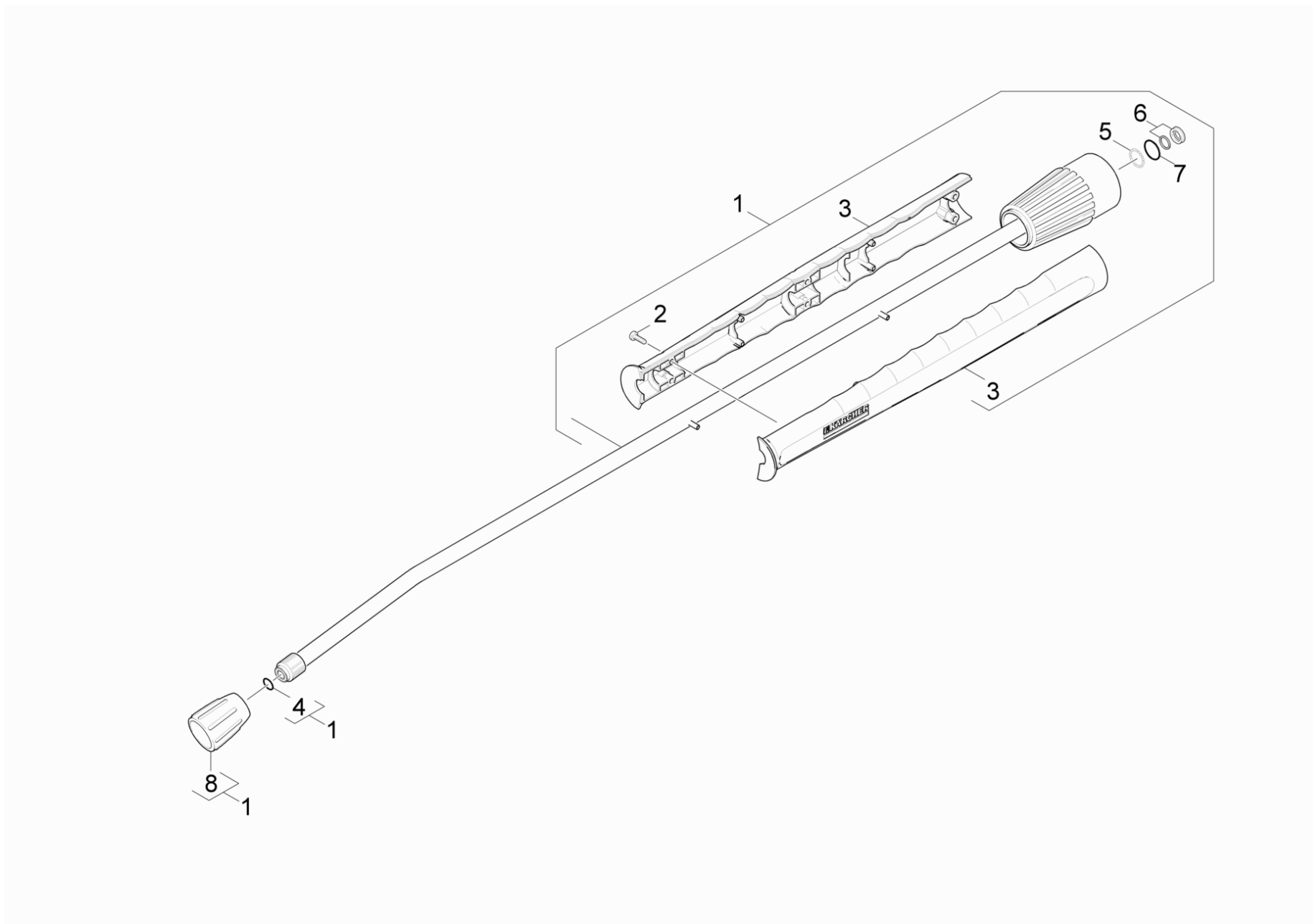
13 High pressure hose

POS	Article no.	Description	Quantity	Unit
3	2.880-990.0	Spare part set O-Ring 5x -Kaercher	1	PC
2	4.363-691.0	O-Ring seal kpl. -nur fuer Ersatz-	1	PC
1	6.391-238.0	Hose assembly standard DN6 25MPa 10m	1	PC



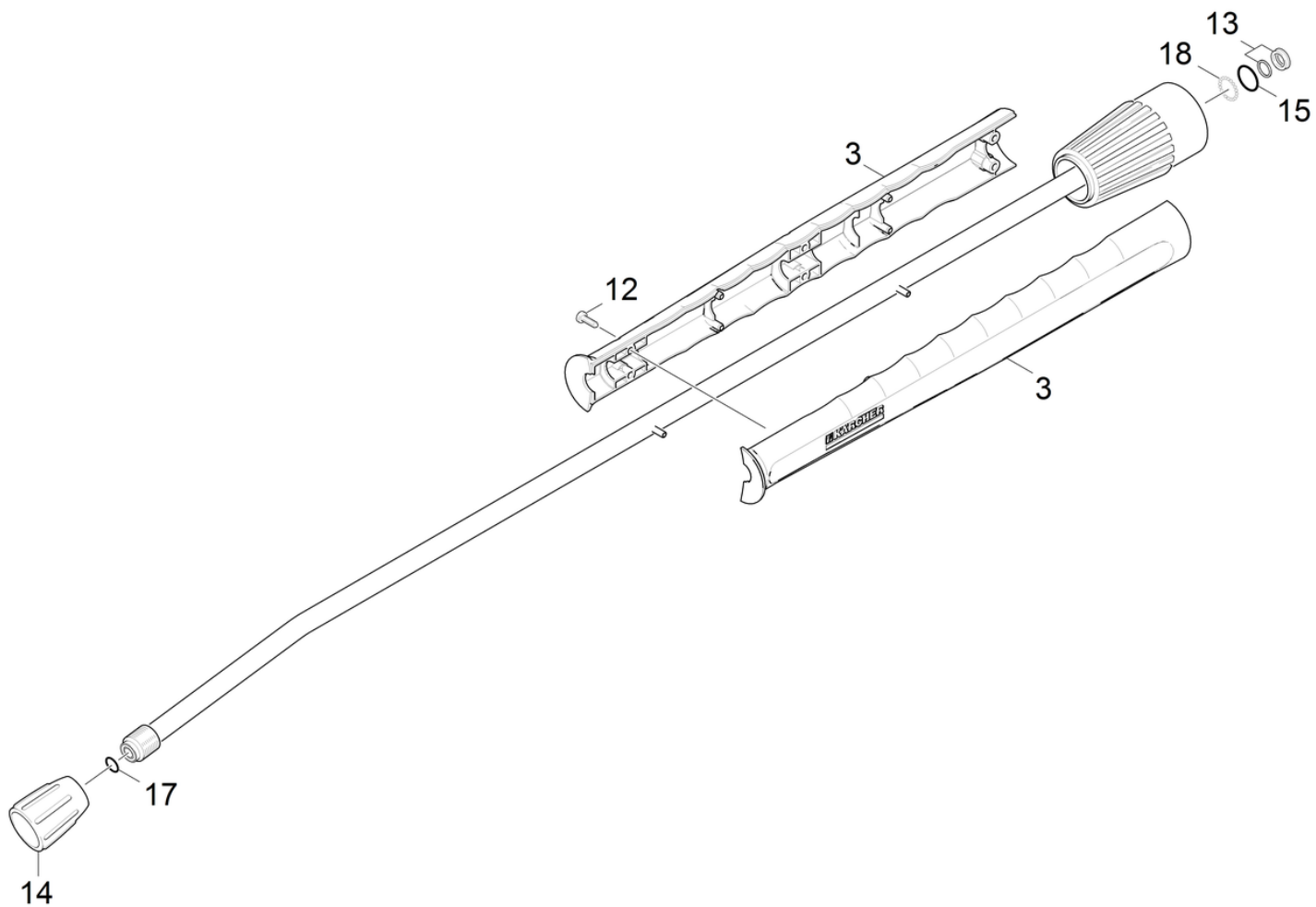
1 Hose assembly standard DN6 25MPa 10m (6.391-238.0)

POS	Article no.	Description	Quantity	Unit
13	2.880-990.0	Spare part set O-Ring 5x -Kaercher	1	PC
10	4.363-691.0	O-Ring seal kpl. -nur fuer Ersatz-	1	PC



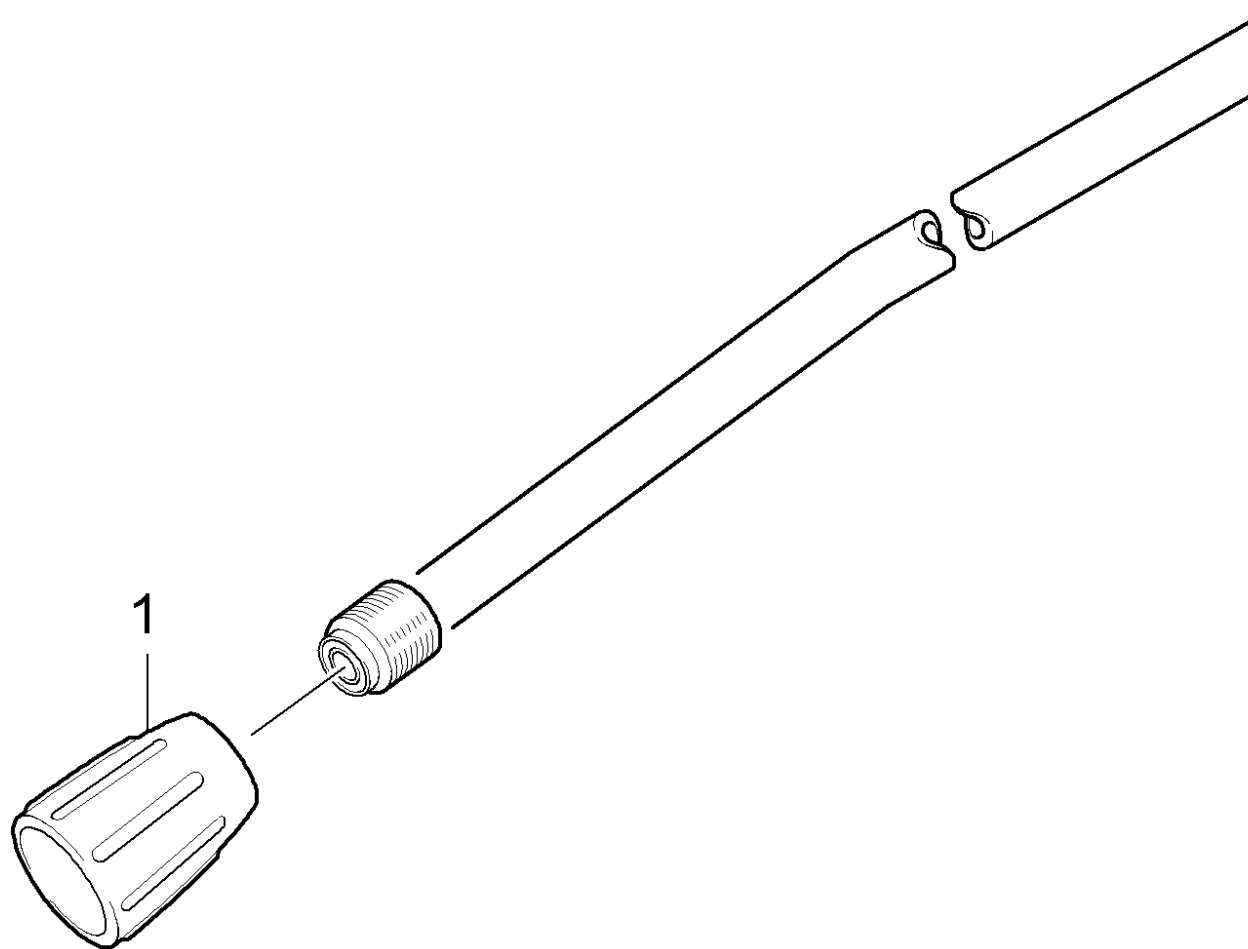
14 Jet pipe

POS	Article no.	Description	Quantity	Unit
4	2.880-990.0	Spare part set O-Ring 5x -Kaercher	1	PC
6	4.363-692.0	Grooved ring kpl. -nur fuer Ersatz-	1	PC
1	4.760-663.0	Jet pipe packaged only for replacement	1	PC
3	5.321-855.0	Handhold few jet pipe with welding bolt	1	PC
8	5.401-210.0	Screw connector part	1	PC
7	6.362-524.0	O-Ring seal 17,0 X 1,5	1	PC
2	7.303-129.0	Screw 4x16-10.9-R2R (K-In6Rd)	6	PC
5	7.401-915.0	Sphere 2,5 G40 -1.4034 DIN 5401	20	PC



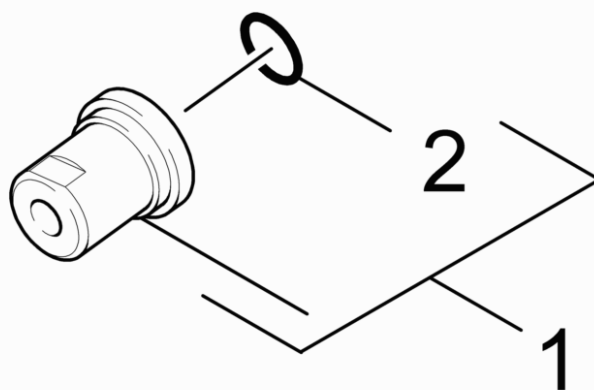
1 Jet pipe packaged only for replacement (4.760-663.0)

POS	Article no.	Description	Quantity	Unit
3	5.321-855.0	Handhold few jet pipe with welding bolt	1	PC
14	5.401-210.0	Screw connector part	1	PC
13	6.362-064.0	Quad joint ring 9.19x2.62	1	PC
15	6.362-524.0	O-Ring seal 17,0 X 1,5	1	PC
12	7.303-129.0	Screw 4x16-10.9-R2R (K-In6Rd)	6	PC
17	7.362-501.0	O-Ring seal 10x2 EPDM 70 DIN 3770	1	PC
18	7.401-915.0	Sphere 2,5 G40 -1.4034 DIN 5401	20	PC



15 Screw connector part

POS	Article no.	Description	Quantity	Unit
1	5.401-210.0	Screw connector part	1	PC



16 Power nozzle

POS	Article no.	Description	Quantity	Unit
2	2.880-990.0	Spare part set O-Ring 5x -Kaercher	1	PC
1	2.883-032.0	Power nozzle for replacement 15027	1	PC