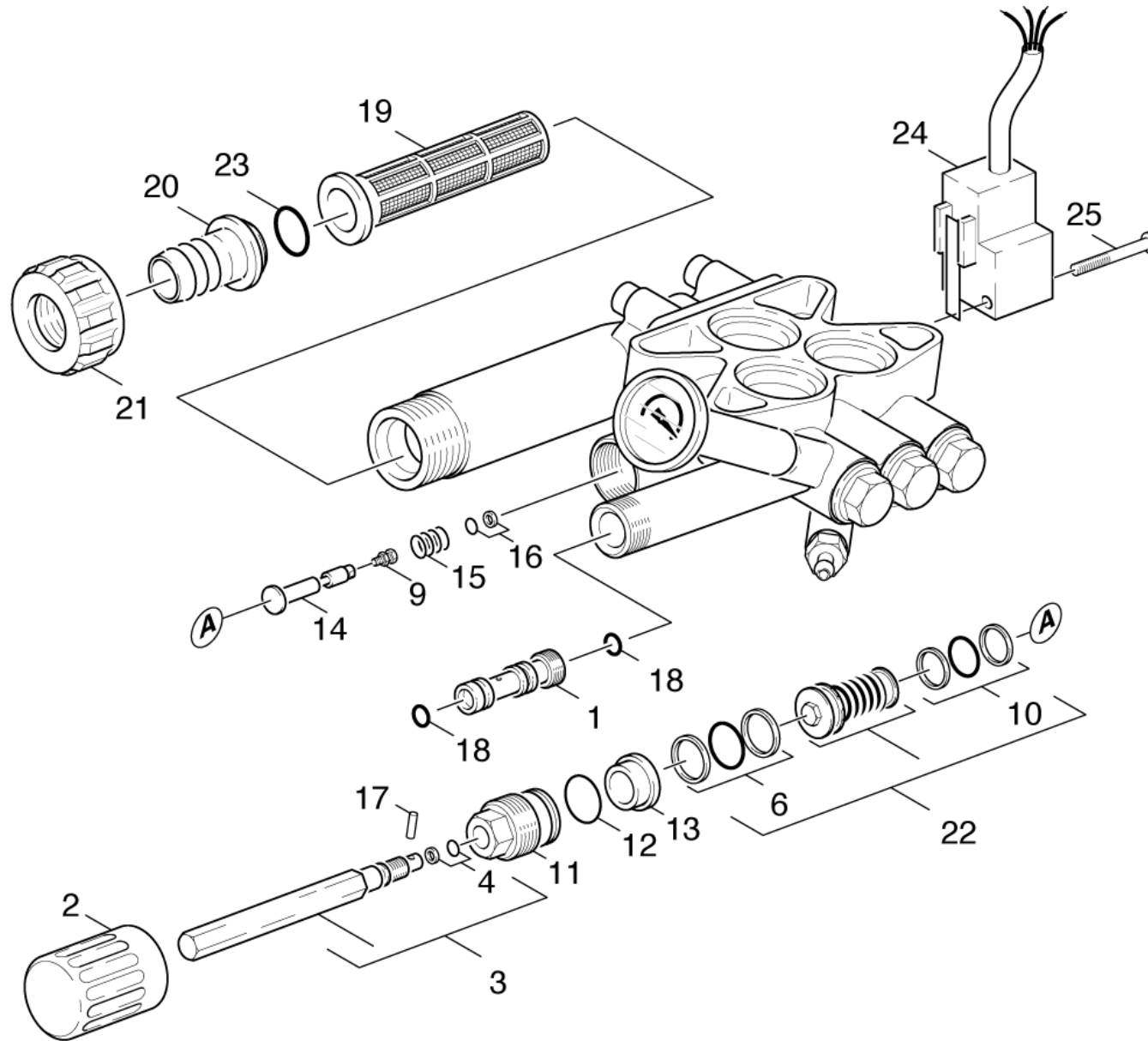


## 22 Cylinder head

Overview technical documents/Professional/High pressure cleaner cold water/Electric motor/HD 895 S \*EU-II (1.086-261.0)/Spare parts list HD 895 S/20 Pump set/22 Cylinder head



## 22 Cylinder head

Overview technical documents/Professional/High pressure cleaner cold water/Electric motor/HD 895 S \*EU-II (1.086-261.0)/Spare parts list HD 895 S/20 Pump set/22 Cylinder head

Rez.daļas/nodil.pakļ.daļas	Poz.	Materiāla Nr.	Nosaukums	Daudzums	Pārdoš. vienība	no sēr. Nr..	līdz sēr. Nr.
X	1	5.769-137.0	Nozzle insert	1.000	ST	0000000000	0000000000
X	2	5.321-307.0	Tureklis	1.000	ST	0000000000	0000000000
	3	4.291-012.0	spindle complete	1.000	ST	0000000000	0000000000
X-X	4	6.362-468.0	Gredzenblīve, pilns komplekts 1ST.-R.	1.000	ST	0000000000	0000000000
X-X	6	6.362-977.0	Gredzenblīve, pilns komplekts 2ST.-R.	1.000	ST	0000000000	0000000000
X	9	6.304-134.0	Screw with nut	1.000	ST	0000000000	0000000000
X-X	10	6.362-450.0	Gredzenblīve, pilns komplekts 2ST.-R.	1.000	ST	0000000000	0000000000
X	11	5.583-147.0	Valve screw	1.000	ST	0000000000	0000000000
	12	6.362-989.0	Gredzenblīve 18x2 - NBR 80	1.000	ST	0000000000	0000000000
X	13	5.110-630.0	Uzmava	1.000	ST	0000000000	0000000000
X-X	14	5.316-792.0	Skrūve	1.000	ST	0000000000	0000000000
X-X	15	5.332-461.0	Spirālveida atspere	1.000	ST	0000000000	0000000000
X-X	16	6.362-587.0	Gredzenblīve, pilns kompl. 2,9 -NBR 70	1.000	ST	0000000000	0000000000
X	17	7.314-629.0	Rievota tapa 2x10 -A1 ISO 8742	1.000	ST	0000000000	0000000000
X-X	18	6.362-384.0	Gredzenblīve 9x1,5 - NBR 70	2.000	ST	0000000000	0000000000
X	19	5.731-581.0	Water filter	1.000	ST	0000000000	0000000000
X-X	20	5.443-291.0	Caurules nipelis	1.000	ST	0000000000	0000000000
X-X	21	5.310-076.0	Uzgrieznis	1.000	ST	0000000000	0000000000
X-X	22	4.580-318.0	Excess-current complete only for replace	1.000	ST	0000000000	0000000000
X-X	23	6.362-161.0	Gredzenblīve 19,3 X 2,4	1.000	ST	0000000000	0000000000
X-X	24	6.635-323.0	Divfāzu slēdzis	1.000	ST	0000000000	0000000000
	25	7.306-320.0	Oval head screw M 5x40-A2-70 ISO 7045	1.000	ST	0000000000	0000000000