

## **Spare parts list**

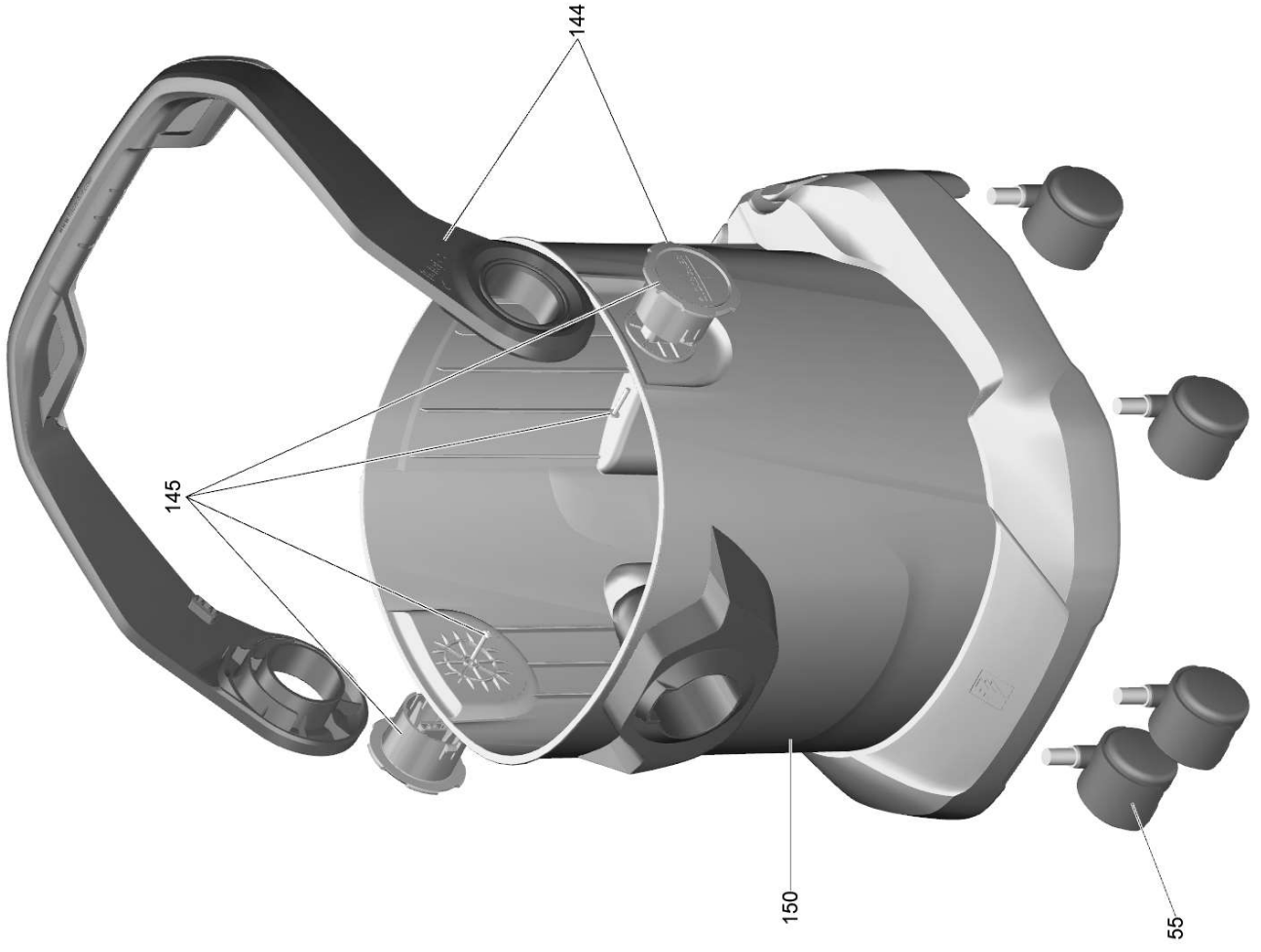
(1.628-306.0) WD 5 P V-25/5/22 (YYY) \*EU

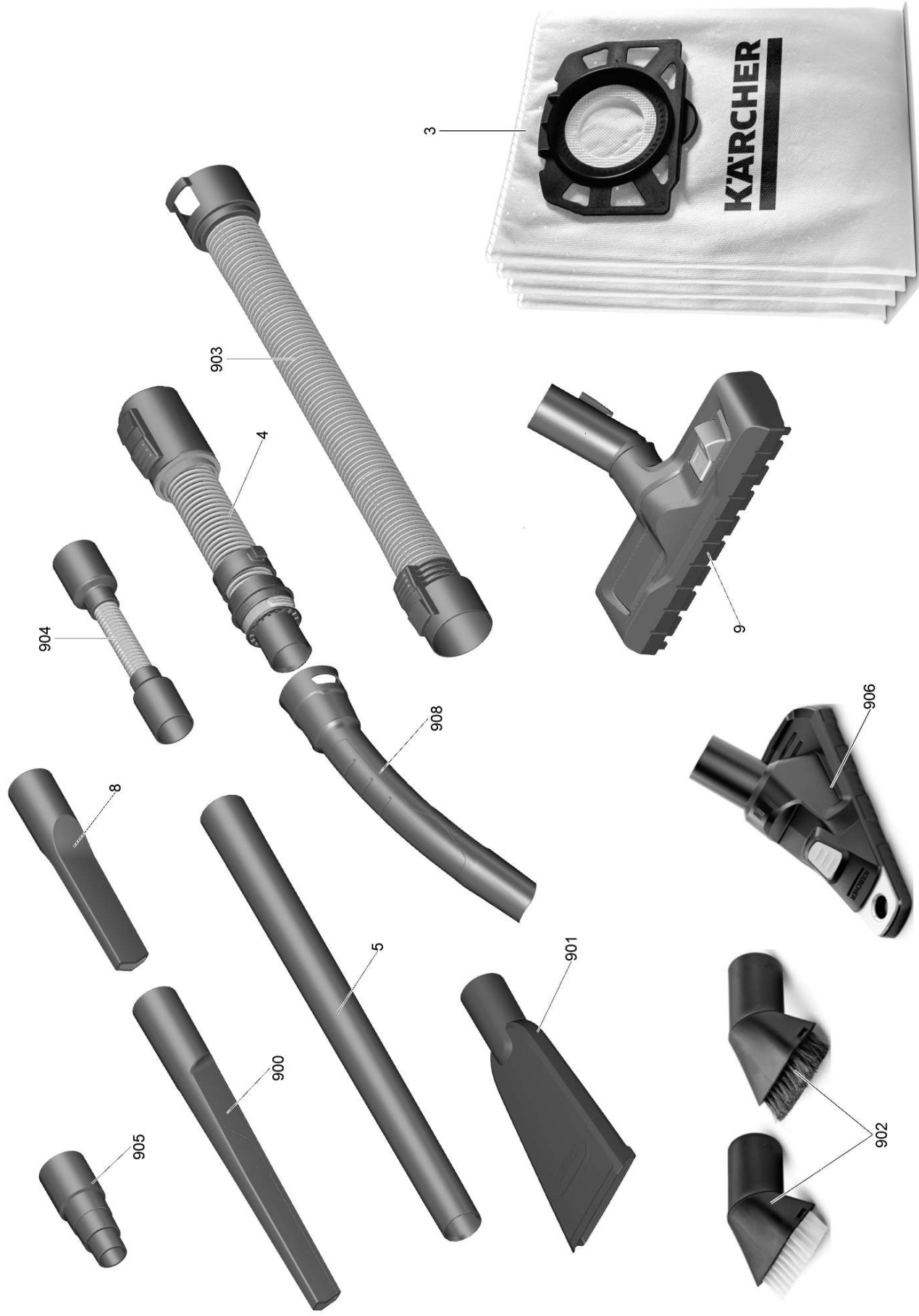
## Table of contents

---

WD 5 P V-25/5/22 (YYY) *EU (1.628-306.0)	3
4 Suction hose complete for replacement 2,2m - without handhold (4.440-135.3)	8
4 Suction hose complete for replacement AS 3,5m 2,2m - with handhold (4.440-140.3)	10
21 Vacuum kit for power tools WD 2St. (2.863-112.0)	12
41 Motor bracket complete (9.002-089.0)	13
50 Housing float complete	15
57 Filter box complete (9.002-091.0)	17
150 Tank plastics for replacement 25L YBBY- (4.628-020.3)	19
904 Vacuum kit for power tools WD 2St. (2.863-112.0)	21





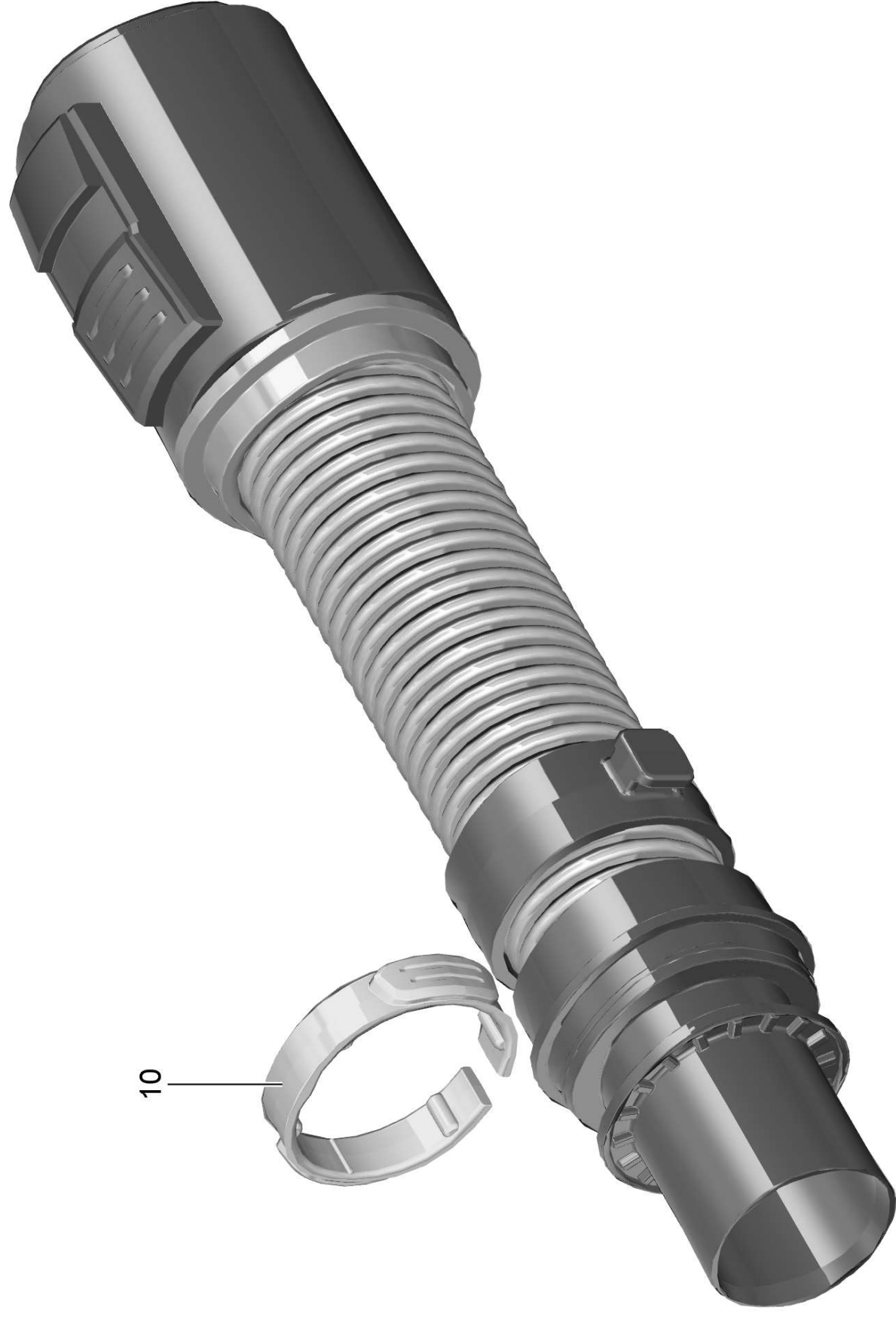


## WD 5 P V-25/5/22 (YYY) \*EU (1.628-306.0)

POS	Article no.	Description	Quantity	Unit
50		Housing float complete	1	PC
9	2.863-000.0	Wet and dry nozzle switchable WD/SE	1	PC
90	2.863-005.0	Flat-pleated filter WD	1	PC
3	2.863-006.0	Filter bag fleece WD 4St.	1	PC
908	2.863-012.0	Hand grip suction hose	1	PC
21	2.863-112.0	Vacuum kit for power tools WD 2St.	1	PC
904	2.863-112.0	Vacuum kit for power tools WD 2St.	1	PC
902	2.863-221.0	Suction brush kit WD 2pc.	1	PC
906	2.863-234.0	Drill Dust Catcher WD	1	PC
903	2.863-305.0	Extension suction hose 3,5m	1	PC
900	2.863-306.0	Crevice nozzle extra long WD	1	PC
5	2.863-308.0	Extension suction tube WD ID 35	2	PC
901	2.863-316.0	Car nozzle	1	PC
4	4.440-135.3	Suction hose complete for replacement 2,2m - without handhold	1	PC
4	4.440-140.3	Suction hose complete for replacement AS 3,5m 2,2m - with handhold	1	PC
903	4.441-068.0	Hose extension packaged 1,5 m	1	PC
100	4.624-436.3	Blower motor complete for replacement 1100W Domel PT	1	PC
150	4.628-020.3	Tank plastics for replacement 25L YBBY-	1	PC
43	4.628-024.3	Cover complete for replacement WD 5/6 -Y	1	PC
87	4.682-004.0	Electronics for replacement WD5/WD6	1	PC
8	5.130-600.3	Crevice nozzle DN 35	1	PC
56	5.628-056.3	Screen cover for replacement WD 5/6 PT	1	PC
103	5.628-059.3	Ring printed for replacement ON/OFF PT	1	PC
210	6.633-534.0	Oval head screw with Kombi-Torx 3x18	2	PC
88	6.646-561.0	Plug socket *EU	1	PC
81	6.651-285.3	Cable with plug for replacement 3x1,5mm² *EU -8.5m	1	PC
41	9.002-089.0	Motor bracket complete	1	PC
57	9.002-091.0	Filter box complete	1	PC
144	9.002-093.0	Handle complete	1	PC
145	9.002-094.0	Flange hand grip complete	1	PC
55	9.012-975.0	Pivot wheel Ø50	5	PC
45	9.013-059.0	Connection complete	1	PC
55	9.036-479.0	Castor D50	5	PC

WD 5 P V-25/5/22 (YYY) \*EU (1.628-306.0)

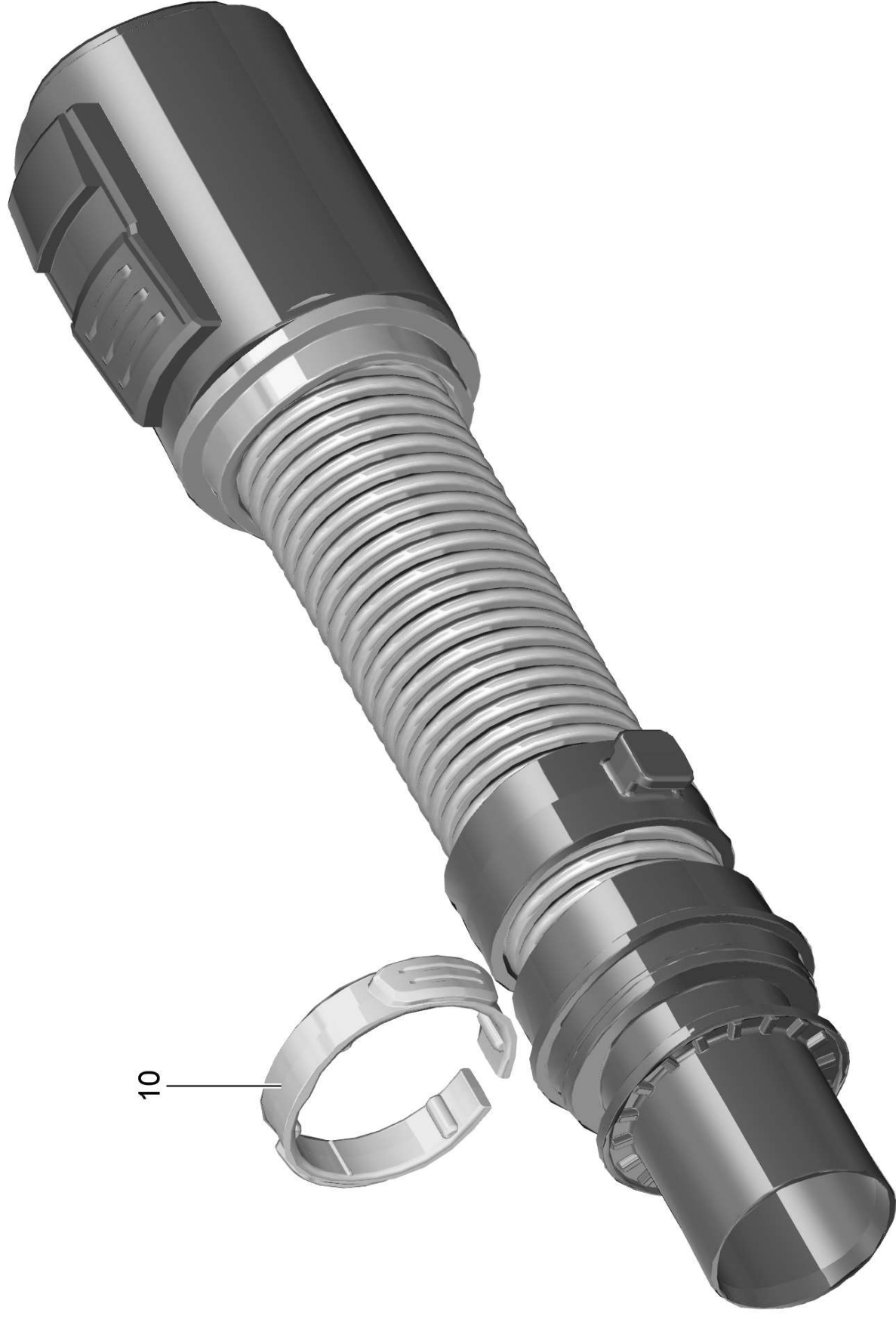
POS	Article no.	Description	Quantity	Unit
	Item text1: replaced by 9.012-975.0			
49	9.036-997.0	Strain relief	1	PC
42	9.038-271.0	Air circulation	1	PC
156	9.038-278.0	Lever spring	1	PC
157	9.038-279.0	Flap filter	1	PC
131	9.038-287.0	Retainer accessories	1	PC
104	9.038-363.0	Rotary switch PT WD	1	PC
5	9.039-339.0	Suction tube nichtrostender Stahl	2	PC
154	9.047-111.0	Spring WD	2	PC
26	9.048-061.0	Connecting sleeve	1	PC
905	9.048-061.0	Connecting sleeve	1	PC
20	9.086-221.0	Screw ATF 4.1x22	16	PC



10

4 Suction hose complete for replacement 2,2m - without handhold (4.440-135.3)

POS	Article no.	Description	Quantity	Unit
10	6.645-688.0	Spring washer suction hose	1	PC

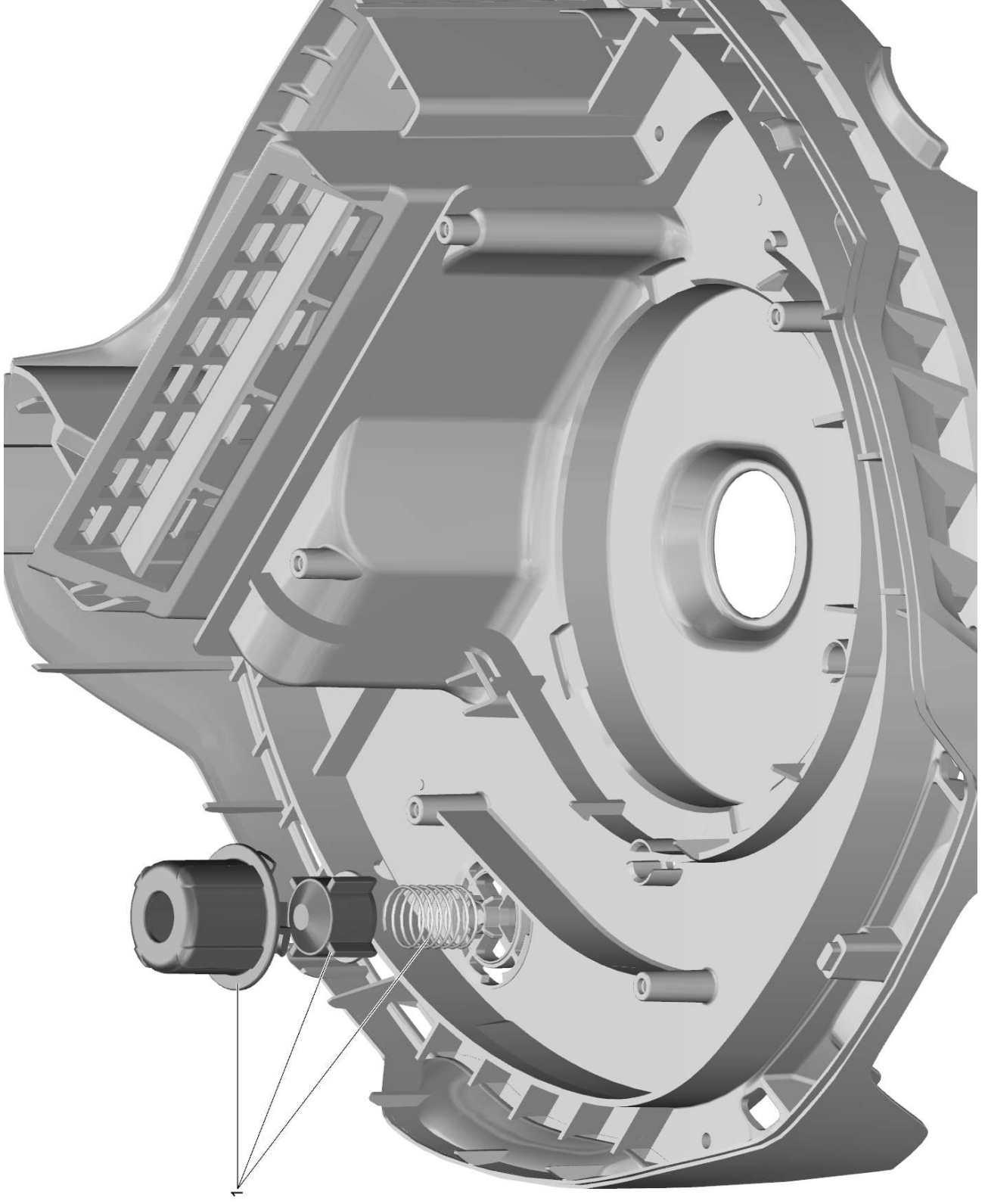


4 Suction hose complete for replacement AS 3,5m 2,2m - with handhold (4.440-140.3)

POS	Article no.	Description	Quantity	Unit
10	6.645-688.0	Spring washer suction hose	1	PC

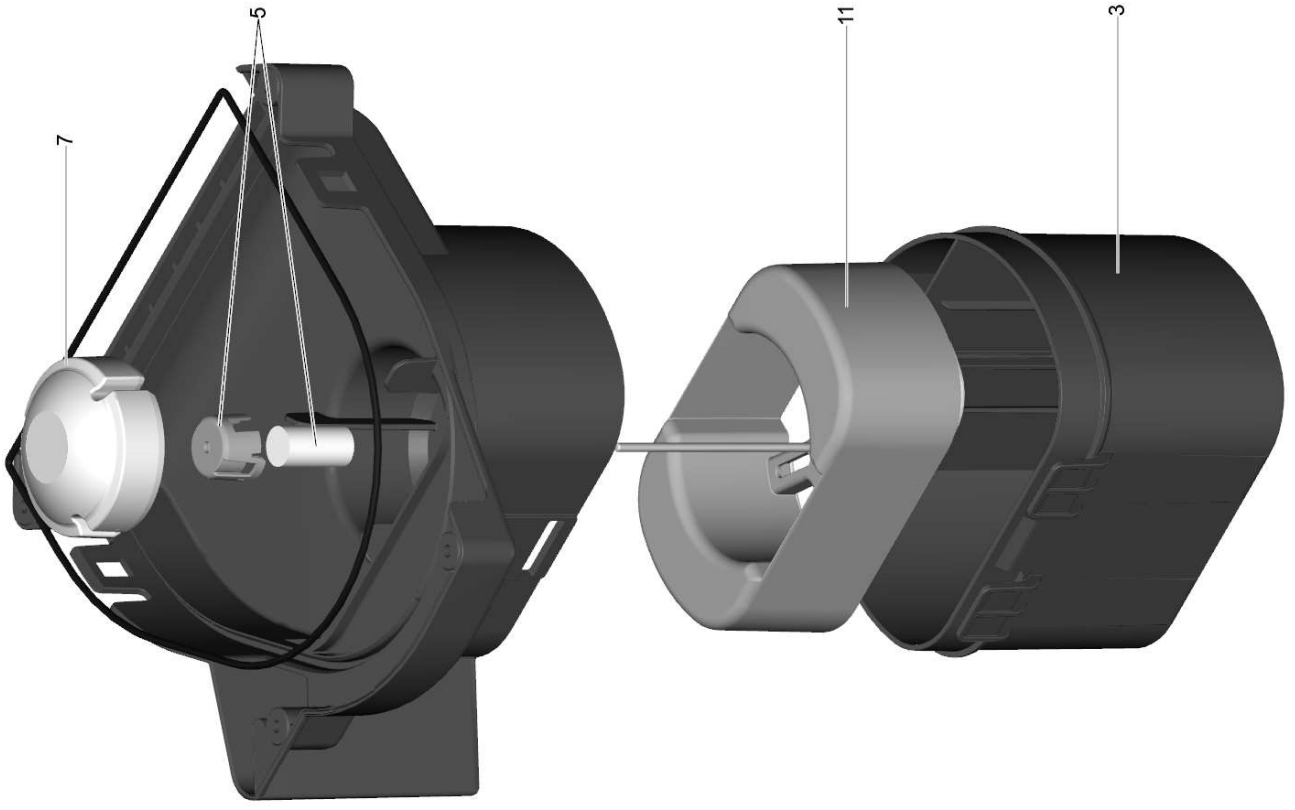
21 Vacuum kit for power tools WD 2St. (2.863-112.0)

POS	Article no.	Description	Quantity	Unit
10	9.048-061.0	Connecting sleeve	1	PC



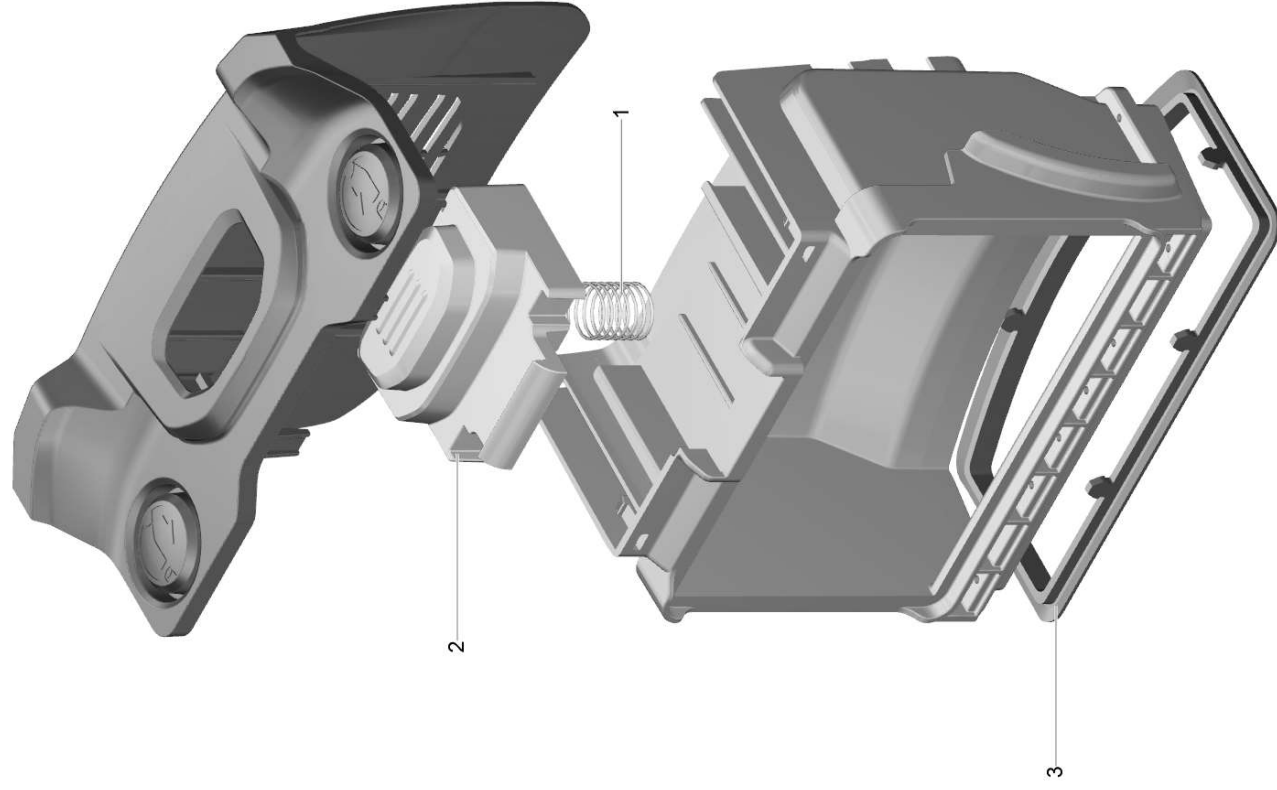
41 Motor bracket complete (9.002-089.0)

POS	Article no.	Description	Quantity	Unit
1	9.002-036.0	Safety valve complete WD 4	1	PC



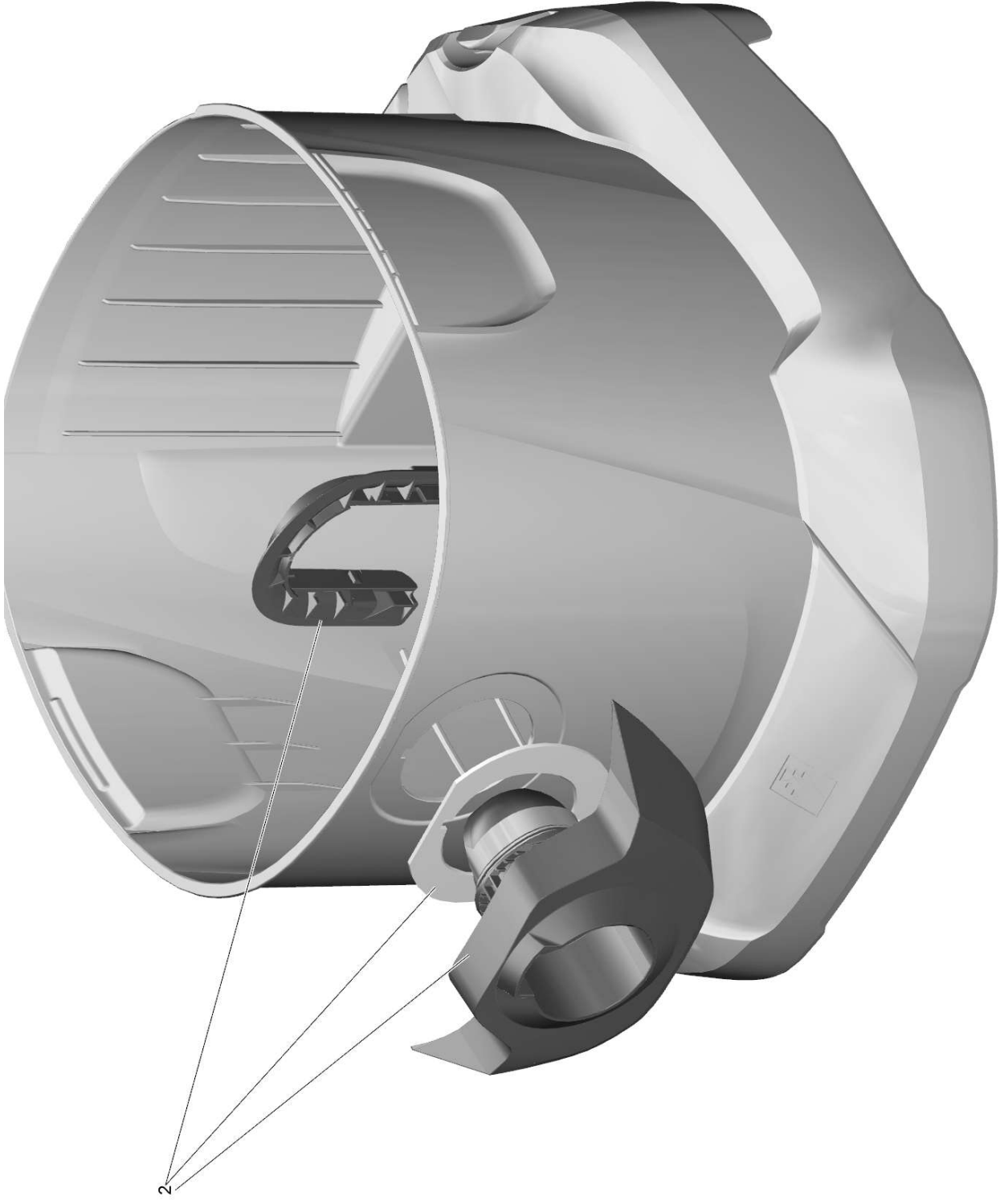
50 Housing float complete

POS	Article no.	Description	Quantity	Unit
11	9.002-032.0	Float complete WD 4	1	PC
5	9.002-034.0	Seal float complete WD 4	1	PC
7	9.038-070.0	Float valve	1	PC
3	9.038-264.0	Float cage	1	PC



57 Filter box complete (9.002-091.0)

POS	Article no.	Description	Quantity	Unit
1	6.330-415.0	Pressure spring VC6	1	PC
2	9.038-283.0	Fbox button WD5	1	PC
3	9.079-080.0	Fbox Sealing	1	PC



150 Tank plastics for replacement 25L YBBY- (4.628-020.3)

POS	Article no.	Description	Quantity	Unit
2	2.885-872.0	Set suction connection packaged	1	PC

904 Vacuum kit for power tools WD 2St. (2.863-112.0)

POS	Article no.	Description	Quantity	Unit
10	9.048-061.0	Connecting sleeve	1	PC