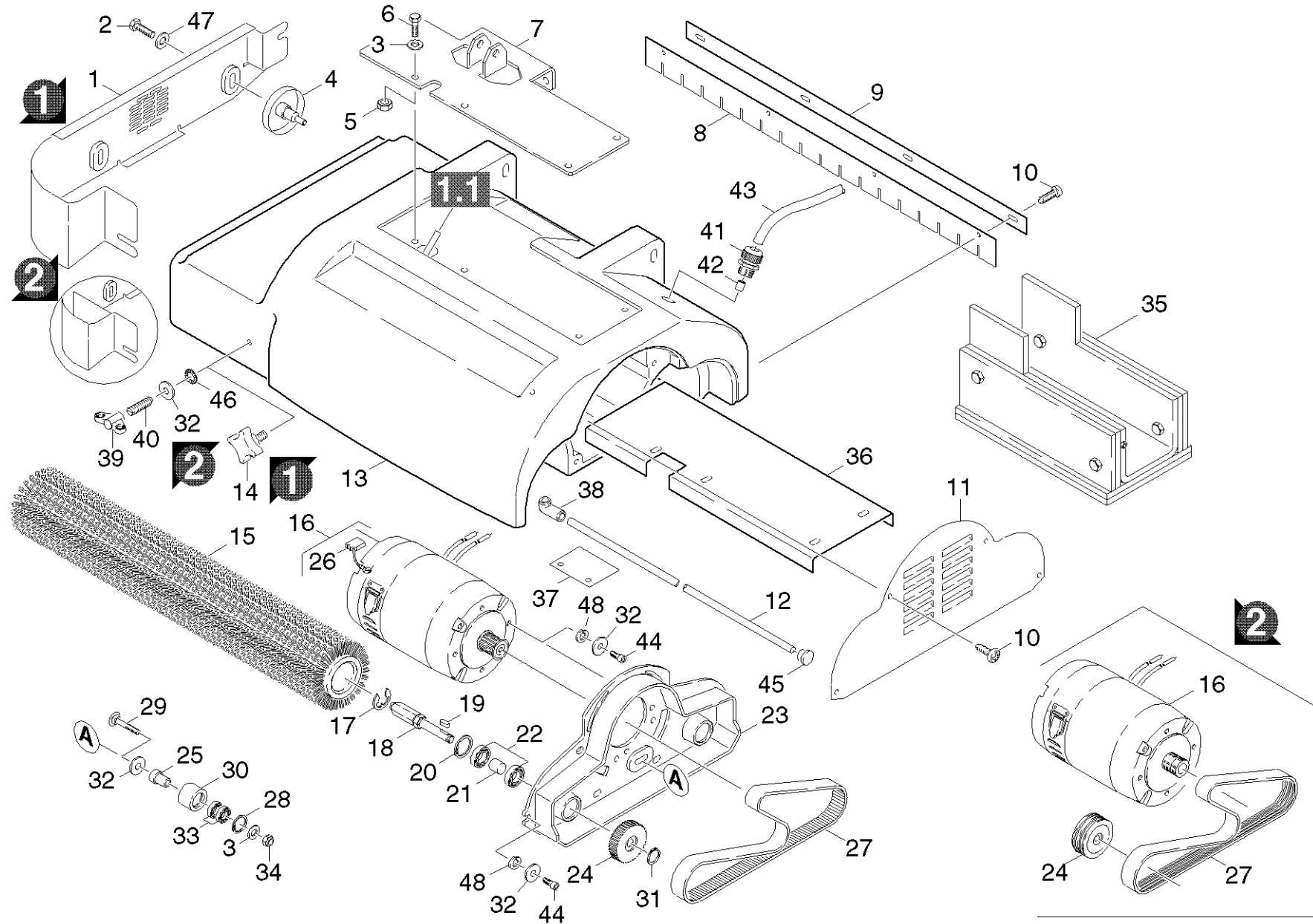


70 Power brush BR

Overview technical documents/Professional/Floor cleaner/Ride-on/BD TRIKE PACK *EU (1.161-104.0)/Spare parts list BR/BD TRIKE/70 Power brush BR



70 Power brush BR

Overview technical documents/Professional/Floor cleaner/Ride-on/BD TRIKE PACK *EU (1.161-104.0)/Spare parts list BR/BD TRIKE/70 Power brush BR

Rez.daļas/nodil.pakļ.daļas	Poz.	Materiāla Nr.	Nosaukums	Daudzums	Pārdoš. vienība	no sēr. Nr..	līdz sēr. Nr.	Daž. informācija
X	22	7.401-169.0	Ball bearing 6201-2RS-WAELZLAGST DIN 625	6.000	ST	0000000000	0000000000	
X-X	17	7.343-304.0	Washer	2.000	ST	0000000000	0000000000	
X-X	20	7.343-231.0	Sprostpaplāksne 32x1,2 -St-ph DIN 472	2.000	ST	0000000000	0000000000	
X	28	7.343-151.0	Bloķētājgredzens 28x1,2-FST-RF DIN 472	1.000	ST	0000000000	0000000000	
X-X	31	7.343-003.0	Bloķētājgredzens 12x1-Rf-St DIN 471	2.000	ST	0000000000	0000000000	
X-X	19	7.318-007.0	parallel key	1.000	ST	0000000000	0000000000	
X-X	48	7.313-015.0	Spring washer B 8-1.4310 DIN 127	9.000	ST	0000000000	0000000000	
X-X	32	7.312-289.0	Paplāksne 8 -A2 ISO 7093-1	12.000	ST	0000000000	0000000000	
X-X	46	7.312-022.0	Sprostpaplāksne A8,4-1.4310 DIN679	2.000	ST	0000000000	0000000000	
X-X	3	7.312-017.0	wascher	8.000	ST	0000000000	0000000000	
X-X	34	7.311-427.0	Hexagon nut M8 -04-A2E ISO 10511	1.000	ST	0000000000	0000000000	
X-X	5	7.311-068.0	Seštūra uzgrieznis M 8-A2-70 ISO 4032	6.000	ST	0000000000	0000000000	
X-X	40	7.307-356.0	Tapa ar vītņi M 8 x 30-A2-21H ISO 4029	2.000	ST	0000000000	0000000000	
X-X	44	7.306-218.0	Skrūve M 8x16-A2-70 DIN 7984	9.000	ST	0000000000	0000000000	
X-X	6	7.306-144.0	Cylinder head screw M 8x20-A2-70 ISO 47	6.000	ST	0000000000	0000000000	
	2	7.306-040.0	Cylinder head screw M8x16 -8.8-A2E ISO4	2.000	ST	0000000000	0000000000	
X-X	29	7.303-186.0	Saucer-head screw M8x40 -St-A0P DIN 603	1.000	ST	0000000000	0000000000	
X-X	10	7.303-104.0	Skrūve 5x16 -A2-70 (IN6RD)	8.000	ST	0000000000	0000000000	
	42	6.648-495.0	Multiple sealing insert M25 2x6	1.000	ST	0000000000	0000000000	
	41	6.648-401.0	Kabeļa ievads, melns M25X1,5	1.000	ST	0000000000	0000000000	
	43	6.642-014.0	Insulating hose 13	1.000	M	0000000000	0000000000	
X-X	26	6.610-238.0	Carbon brush set	1.000	ST	0000000000	0000000000	FA.ATAS
	26	6.610-237.0	Carbon brush set	1.000	ST	0000000000	0000000000	FA.AMER
X-X	33	6.401-363.0	Lodīšu gultnis	2.000	ST	0000000000	0000000000	
	45	6.368-068.0	drain plug	1.000	ST	0000000000	0000000000	

70 Power brush BR

Overview technical documents/Professional/Floor cleaner/Ride-on/BD TRIKE PACK *EU (1.161-104.0)/Spare parts list BR/BD TRIKE/70 Power brush BR

Rez.daļas/nodil.pakļ.daļas	Poz.	Materiāla Nr.	Nosaukums	Daudzums	Pārdoš. vienība	no sēr. Nr..	līdz sēr. Nr.	Daž. informācija
X-X	27	6.348-413.0	Ribbed belt 10 PJ 914	1.000	ST	0000024920	0000000000	
X-X	27	6.348-377.0	Toothed belt HTD 925-5M-25-CXPIII	1.000	ST	0000000000	0000024919	
	14	6.321-054.0	Star handle M8X16	2.000	ST	0000000000	0000000000	
X-X	47	6.312-125.0	Washer egde locking washer M8	2.000	ST	0000000000	0000000000	
X-X	39	6.310-128.0	Wing nut M 8	2.000	ST	0000000000	0000000000	
X-X	15	5.762-133.0	Roller brush green (old colour grey)	2.000	ST	0000000000	0000000000	
X-X	15	5.762-132.0	Roller brush orange (old colour red)	2.000	ST	0000000000	0000000000	
X-X	15	5.762-131.0	Roller brush white (old colour black)	2.000	ST	0000000000	0000000000	
X-X	15	5.762-130.0	Pusegmenta birste, sarkana (ex - balta)	2.000	ST	0000000000	0000000000	
X-X	24	5.625-447.0	Belt pulley	2.000	ST	0000024920	0000000000	
X-X	24	5.625-334.0	Toothed belt pulley	2.000	ST	0000000000	0000024919	
X	30	5.401-227.0	Roller	1.000	ST	0000000000	0000000000	
X-X	38	5.379-027.0	rubber bushing	1.000	ST	0000000000	0000000000	
	8	5.190-224.0	Strip PU	1.000	ST	0000000000	0000000000	
X-X	8	5.190-098.0	Strip	1.000	ST	0000000000	0000000000	
	25	5.110-919.0	Sleeve	1.000	ST	0000000000	0000000000	
X	25	5.110-678.0	Sleeve	1.000	ST	0000000000	0000000000	
X-X	21	5.110-569.0	Sleeve	1.000	ST	0000000000	0000000000	
X-X	18	5.100-170.0	Driveshaft	2.000	ST	0000000000	0000000000	
	13	5.060-720.0	Brush housing	1.000	ST	0000000000	0000000000	
	36	5.048-466.0	Sheet metal component	1.000	ST	0000000000	0000000000	
X-X	23	5.044-147.0	Retainer plate transmission	1.000	ST	0000000000	0000000000	
X	12	5.029-462.0	Tube	1.000	ST	0000000000	0000000000	
	37	5.007-288.0	Plate rubber bushing head BR	1.000	ST	0000000000	0000000000	
	9	5.006-029.0	Plate	1.000	ST	0000000000	0000000000	

70 Power brush BR

Overview technical documents/Professional/Floor cleaner/Ride-on/BD TRIKE PACK *EU (1.161-104.0)/Spare parts list BR/BD TRIKE/70 Power brush BR

Rez.daļas/nodil.pakļ.daļas	Poz.	Materiāla Nr.	Nosaukums	Daudzums	Pārdoš. vienība	no sēr. Nr.	līdz sēr. Nr.	Daž. informācija
	11	5.006-023.0	Cover plate	1.000	ST	0000000000	0000000000	
	7	5.001-857.0	Plate	1.000	ST	0000000000	0000000000	
	16	4.623-695.0	Motor complete	1.000	ST	0000000000	0000000000	
Pozīcijas teksts: //1.161-110.0								
	16	4.623-633.0	Motor complete	1.000	ST	0000000000	0000000000	
	16	4.623-489.0	Motor complete only for replacement	1.000	ST	0000000000	0000000000	
	1	4.044-065.0	Holder-up	1.000	ST	0000000000	0000000000	
X-X	4	4.038-678.0	Sheet metal component	2.000	ST	0000000000	0000000000	
	35	4.031-071.0	Additional weight	1.000	ST	0000000000	0000000000	