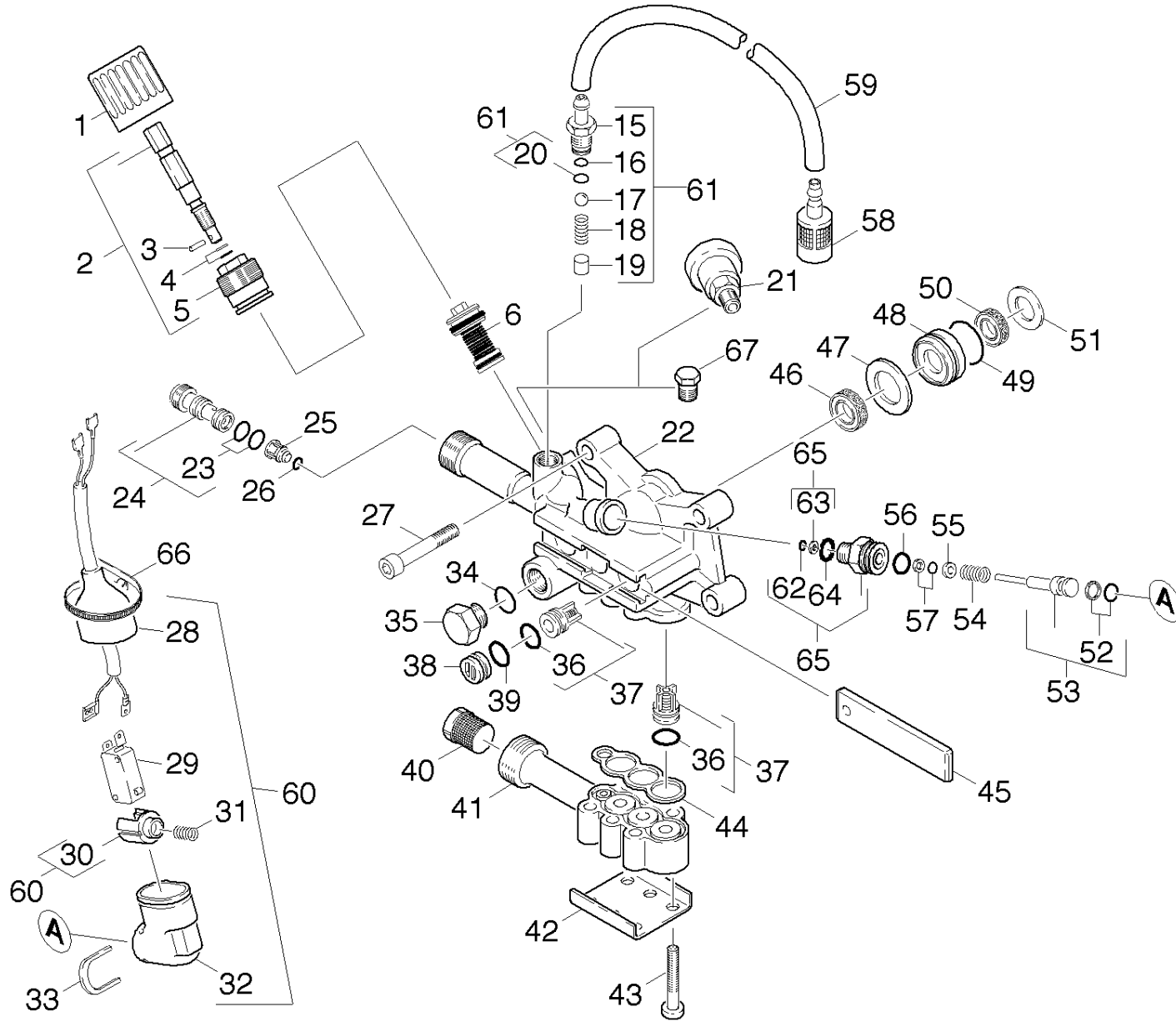


## 21 Cylinder head

Overview technical documents/Professional/High pressure cleaner cold water/Stationary/HD 600

\*EU (1.284-101.0)/Spare parts list HD 600 230V 50HZ 1PH/20 Pump set/21 Cylinder head



## 21 Cylinder head

Overview technical documents/Professional/High pressure cleaner cold water/Stationary/HD 600

\*EU (1.284-101.0)/Spare parts list HD 600 230V 50HZ 1PH/20 Pump set/21 Cylinder head

Rez.daļas/nodil.pakļ.daļas	Poz.	Materiāla Nr.	Nosaukums	Daudzums	Pārdoš. vienība	no sēr. Nr..	līdz sēr. Nr.
	1	5.321-307.0	Tureklis	1.000	ST	0000000000	0000000000
	2	4.291-014.0	Spindle complete	1.000	ST	0000000000	0000000000
	3	7.314-629.0	Rievota tapa 2x10 -A1 ISO 8742	1.000	ST	0000000000	0000000000
X	4	6.362-468.0	Gredzenblīve, pilns komplekts 1ST.-R.	1.000	ST	0000000000	0000000000
	5	5.583-147.0	Valve screw	1.000	ST	0000000000	0000000000
X	6	4.591-038.0	Overflow valve	1.000	ST	0000000000	0000000000
	15	5.443-448.0	Nipple chemistry	1.000	ST	0000000000	0000000000
	16	6.362-451.0	O-Ring seal 8,0 x 1,0	1.000	ST	0000000000	0000000000
	17	7.401-908.0	Sfēra 7 G300 -1.4301 DIN 5401	1.000	ST	0000000000	0000000000
	18	5.332-258.0	Spirālveida atspere	1.000	ST	0000000000	0000000000
	19	5.110-714.0	Uzmava	1.000	ST	0000000000	0000000000
	20	6.362-175.0	Gredzenblīve 5,28x 1,78	1.000	ST	0000000000	0000000000
X-X	21	6.421-215.0	Manometrs 0-300 bāri	1.000	ST	0000000000	0000000000
	22	5.550-277.0	Cylinder head	1.000	ST	0000000000	0000000000
Pozīcijas teksts: / 1.284-101.0 / -102.0 / -104.0							
	22	5.550-296.0	Cylinder head	1.000	ST	0000000000	0000000000
Pozīcijas teksts: / 1.284-105.0 / -106.0 / -107.0							
	23	6.362-384.0	Gredzenblīve 9x1,5 - NBR 70	2.000	ST	0000000000	0000000000
	24	4.769-032.0	nozzle insert	1.000	ST	0000000000	0000000000
	24	4.769-034.0	Nozzle insert only for replacement	1.000	ST	0000000000	0000000000
Pozīcijas teksts: / 1.284-107.0							
	25	5.584-091.0	Pretvārsta ass	1.000	ST	0000000000	0000000000
X	26	6.363-613.0	Gredzenblīve 4 x 2 -NBR90	1.000	ST	0000000000	0000000000
	27	7.306-047.0	Cil. galvas skr. M8x60 -8.8-A2E ISO4	4.000	ST	0000000000	0000000000
	28	6.647-536.0	Control cable	1.000	ST	0000000000	0000000000

## 21 Cylinder head

Overview technical documents/Professional/High pressure cleaner cold water/Stationary/HD 600

\*EU (1.284-101.0)/Spare parts list HD 600 230V 50HZ 1PH/20 Pump set/21 Cylinder head

Rez.daļas/nodil.pakļ.daļas	Poz.	Materiāla Nr.	Nosaukums	Daudzums	Pārdoš. vienība	no sēr. Nr..	līdz sēr. Nr.
X	29	6.631-807.0	Mikroslēdzis	1.000	ST	0000000000	0000000000
	30	5.053-051.0	Kronšteins	1.000	ST	0000000000	0000000000
	31	5.332-322.0	Atspere	1.000	ST	0000000000	0000000000
	32	5.042-860.0	Turētājs	1.000	ST	0000000000	0000000000
	33	5.034-494.0	Retaining bracket	1.000	ST	0000000000	0000000000
	34	6.362-101.0	Gredzenblīve 8 X 2	1.000	ST	0000000000	0000000000
	35	5.411-070.0	Vītņtapa	1.000	ST	0000000000	0000000000
	36	6.362-077.0	Gredzenblīve 10 x 2,2 NBR 70	6.000	ST	0000000000	0000000000
X-X	37	2.884-916.0	Valve (3 Stück) from 2.885-299.0	2.000	ST	0000000000	0000000000
X-X	38	4.132-007.0	Spare part	4.000	ST	0000000000	0000000000
	39	6.363-273.0	Gredzenblīve 11,0 x 2,0	4.000	ST	0000000000	0000000000
	40	6.414-252.0	Sieta filtrs	1.000	ST	0000000000	0000000000
	41	5.063-616.0	Sūknēšanas kameras vāks	1.000	ST	0000000000	0000000000
	42	5.003-068.0	Plate suction cover	1.000	ST	0000000000	0000000000
	43	7.306-129.0	Skrūve M6x40 -8.8-R3R (In6Rd)	4.000	ST	0000000000	0000000000
	44	5.365-182.0	Profilētā blīve	1.000	ST	0000000000	0000000000
	45	5.003-062.0	Plate	1.000	ST	0000000000	0000000000
X-X	46	6.365-432.0	Gredzens ar gropi 14x22x5.3	3.000	ST	0000000000	0000000000
X-X	47	5.115-465.0	Paplāksne	3.000	ST	0000000000	0000000000
	48	5.112-576.0	Bukse	3.000	ST	0000000000	0000000000
X-X	49	6.362-376.0	Gredzenblīve 24,0 X 1,5	3.000	ST	0000000000	0000000000
X-X	50	6.365-438.0	Kompaktā blīve	3.000	ST	0000000000	0000000000
X	51	5.115-744.0	Paplāksne	3.000	ST	0000000000	0000000000
	52	6.362-467.0	Gredzenblīve, pilns komplekts 1ST.-R.	1.000	ST	0000000000	0000000000
	53	4.553-183.0	Piston complete	1.000	ST	0000000000	0000000000

## 21 Cylinder head

Overview technical documents/Professional/High pressure cleaner cold water/Stationary/HD 600

\*EU (1.284-101.0)/Spare parts list HD 600 230V 50HZ 1PH/20 Pump set/21 Cylinder head

Rez.daļas/nodil.pakļ.daļas	Poz.	Materiāla Nr.	Nosaukums	Daudzums	Pārdoš. vienība	no sēr. Nr..	līdz sēr. Nr.
	54	5.332-157.0	Spirālveida atspere	1.000	ST	0000000000	0000000000
	55	5.115-616.0	Washer	1.000	ST	0000000000	0000000000
	56	6.362-528.0	Gredzenblīve 9,5 X 2,0	1.000	ST	0000000000	0000000000
X	57	6.362-587.0	Gredzenblīve, pilns kompl. 2,9 -NBR 70	1.000	ST	0000000000	0000000000
	58	4.862-032.0	Filtras	1.000	ST	0000000000	0000000000
	59	6.388-216.0	Šļūtene DN 5	1.000	M	0000000000	0000000000
	60	4.744-096.0	Switch complete	1.000	ST	0000000000	0000000000
X	60	4.744-109.0	Switch complete	1.000	ST	0000000000	0000000000
Pozīcijas teksts: / 1.284-107.0							
	61	2.883-862.0	Spare part set chemistry	1.000	ST	0000000000	0000000000
	62	6.362-634.0	O-ring seal	1.000	ST	0000000000	0000000000
	63	5.115-597.0	Washer	1.000	ST	0000000000	0000000000
	64	6.362-586.0	O-ring seal	1.000	ST	0000000000	0000000000
	65	4.411-008.0	Screw plug	1.000	ST	0000000000	0000000000
X-X	66	6.648-638.0	Cable tie T 30L	1.000	ST	0000000000	0000000000
	67	5.411-094.0	Screw plug	1.000	ST	0000000000	0000000000
Pozīcijas teksts: / 1.284-102.0							
	100	2.883-869.0	pump set	1.000	ST	0000000000	0000000000