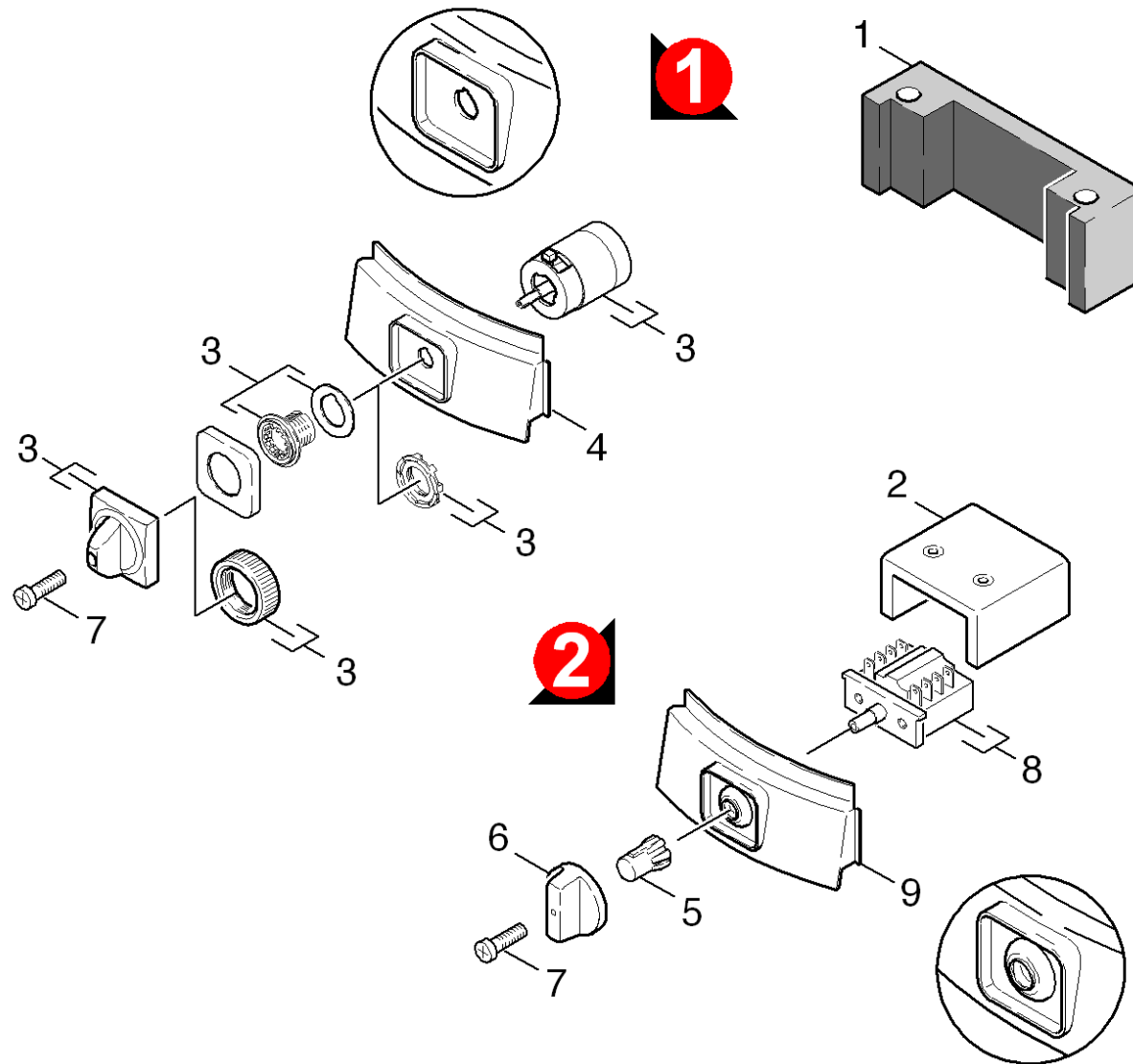


12 Switch

Professional \ Vacuum cleaner \ Wet-/dry vacuum cleaner \ NT 700 M.ZUB -DV *EU \ Spare parts list NT 700 \ Top part \ Switch



12 Switch

Professional \ Vacuum cleaner \ Wet-/dry vacuum cleaner \ NT 700 M.ZUB -DV *EU \ Spare parts list NT 700 \ Top part \ Switch



POS	Article no.	Description	Quantity	Unit	Foot note text
5	6.631-768.0	Clamp handhold	1	PC	VERSION 2
6	5.321-435.0	Handhold	1	PC	VERSION 2
7	7.306-050.0	Screw M2,5x10 -8.8-R2R (In6Rd)	1	PC	
1	7.777-999.0	Stockpiling discontinued	1	PC	
2	7.777-999.0	Stockpiling discontinued	1	PC	VERSION 2
	Item text1: / 1.937-121.0 / -141.0 / -291.0				
	Item text2: / -601.0 / -611.0 / -701.0				
4	7.777-999.0	Stockpiling discontinued	1	PC	VERSION 1
	Item text1: / 1.937-121.0 bis up to jusq. 15414 / -131.0 bis up to jusq. 14023 / -141.0 bis up to jusq. 15414 / -281.0 bis up to jusq. 10301 / -291.0 bis up to jusq. 10201 / -521.0 bis up to jusq. 15414 / -601.0 bis up to jusq. 10101 / -671.0 bis up to jusq. 10000				
8	7.777-999.0	Stockpiling discontinued	1	PC	VERSION 1
9	7.777-999.0	Stockpiling discontinued	1	PC	VERSION 2
3	6.631-610.0	Switch	1	PC	VERSION 1
	Item text1: / 1.937-121.0 bis up to jusq. 15414 / -131.0 bis up to jusq. 14023 / -141.0 bis up to jusq. 15414 / -281.0 bis up to jusq. 10301 / -291.0 bis up to jusq. 10201 / -521.0 bis up to jusq. 15414 / -601.0 bis up to jusq. 10101 / -671.0 bis up to jusq. 10000				