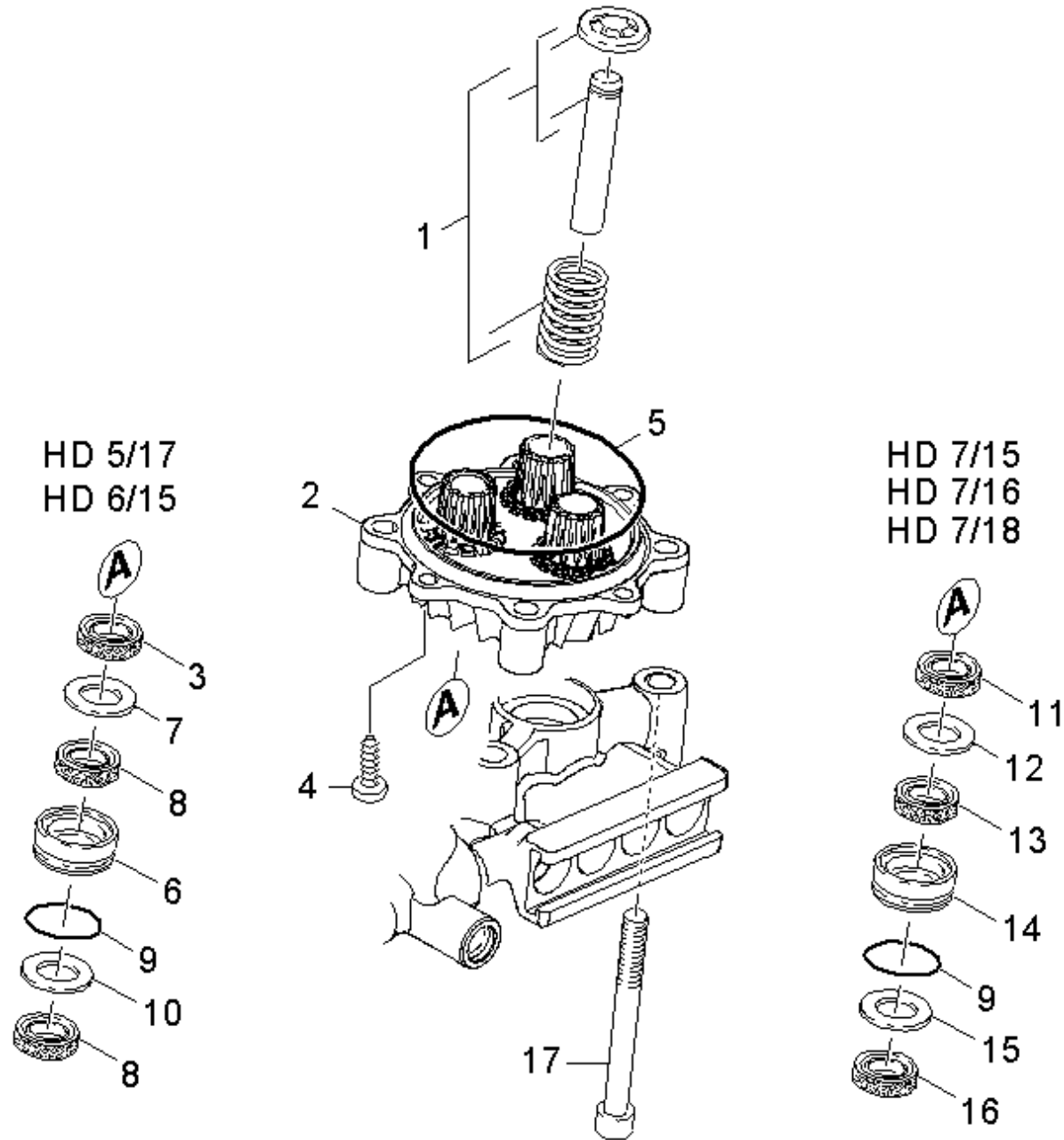


22 Thrust guidance

Professional \ High pressure cleaner cold water \ Electric motor \ HD 6/15 C PLUS *EU \ Spare parts list HD 6/15, HD 7/18 \ Pump set \ Thrust guidance

KÄRCHER



22 Thrust guidance

Professional \ High pressure cleaner cold water \ Electric motor \ HD 6/15 C PLUS *EU \ Spare parts list HD 6/15, HD 7/18 \ Pump set \ Thrust guidance



POS	Article no.	Description	Quantity	Unit	Foot note text
6	5.112-726.0	Bush	3.000	ST	
	Item text1: 1.150-601.0/-602.0/-603.0/-604.0/-606.0/-607.0/-608.0 /-609.0/-612.0/-613.0/-615.0/-619.0/-622.0 / 1.214-120.0/-121.0/-122.0 /-123.0				
14	5.112-576.3	Bush	3.000	ST	
	Item text1: 1.151-601.0/ -602.0/ -603.0/ -604.0				
	Item text2: -605.0/ -606.0/ -607.0/-608.0/-612.0				
13	6.365-438.0	Compact seal	3.000	ST	
	Item text1: 1.151-601.0 / -602.0 / -603.0 / -604.0				
	Item text2: -605.0/ -606.0/ -607.0/-608.0/-612.0				
17	7.306-106.0	Cylinder head screw M8x70 -8.8-A2E ISO4	4.000	ST	
8	6.365-563.0	Grooved ring	6.000	ST	FÜR KOLBEN KERMIK BESCHICHTET
	Item text1: 1.150-609.0				
3	6.365-001.0	Grooved ring 12x20x4/6	3.000	ST	
	Item text1: 1.150-601.0/-602.0/-603/-604.0/-606.0/-607.0/-608.0 /-609.0/-612.0/-613.0/-615.0/-619.0/-622.0 / 1.214-120.0/-121./-122.0 /-123.0				
8	6.365-477.0	Grooved ring 12x20x5,3/2,8	6.000	ST	
	Item text1: 1.150-601.0/-602.0/-603.0/-604.0/-606.0/-607.0/-608.0 /-609.0/-612.0/-613.0/-615.0/-619.0/-622.0 / 1.214-120.0/-121.0/-122.0 /-123.0				
16	6.365-432.0	Grooved ring 14x22x5.3	3.000	ST	
	Item text1: 1.151-606.0 /-607.0				
11	6.365-340.0	Grooved ring 14X22X5/7	3.000	ST	
	Item text1: 1.151-601.0 /-602.0 /-603.0 /-604.0				
	Item text2: -605.0/-606.0/ -607.0/-608.0/-612.0				
9	6.362-376.0	O-Ring seal 24,0 X 1,5	3.000	ST	
5	6.363-077.0	O-Ring seal 75x3	1.000	ST	
1	4.553-309.0	Piston -nur fuer Ersatz-	3.000	ST	KERAMIK BESCHICHTET
	Item text1: 1.150-609.0				
1	4.553-306.0	Piston -nur fuer Ersatz-	3.000	ST	KERAMIK BESCHICHTET
	Item text1: 1.150-601.0 /-602.0 /-603.0 /-608.0 /				
	Item text2: -613.0 /-619.0				
1	4.553-254.0	Piston complete	3.000	ST	
	Item text1: 1.151-607.0				
1	4.553-242.0	Piston complete	3.000	ST	
	Item text1: 1.151-601.0/ -602.0/ -603.0/ -604.0/				
	Item text2: -605.0 /-612.0				
1	4.553-258.0	Piston complete D14	3.000	ST	

22 Thrust guidance

Professional \ High pressure cleaner cold water \ Electric motor \ HD 6/15 C PLUS *EU \ Spare parts list HD 6/15, HD 7/18 \ Pump set \ Thrust guidance



POS	Article no.	Description	Quantity	Unit	Foot note text
		Item text1: 1.151-608.0			
1	4.553-273.0	Piston complete only for replacement	3.000	ST	
		Item text1: 1.150-609.0 / -615.0 /			
1	4.553-231.0	Piston complete only for replacement	3.000	ST	
		Item text1: 1.150-601.0 /-602.0 /-603 /-604.0 /-606.0 /-607.0 / 1.150-608.0 /-612.0 /-613.0 /-619.0 /-622.0			
1	4.553-275.0	Piston complete only for replacement	3.000	ST	
		Item text1: 1.214-121.0			
1	4.553-264.0	Piston complete only for replacement	3.000	ST	
		Item text1: 1.151-606.0			
1	4.553-274.0	Piston complete only for replacement	3.000	ST	
		Item text1: 1.214-120.0 / -122.0 / -123.0 /			
4	7.303-047.0	Screw M6x16 -St-R3R (In6Rd)	2.000	ST	
2	5.062-754.3	Thrust guidance	1.000	ST	
		Item text1: 1.151-601.0 / -602.0/ -603.0/ -604.0			
		Item text2: -605.0/ -606.0/ -607.0 /-608.0 /-612.0			
2	5.061-018.3	Thrust guidance	1.000	ST	
		Item text1: 1.150-601.0/-602.0/-603/-604.0/-606.0/-607.0/ -608.0/-609.0/-612.0/-613.0/-615.0/-619.0/-622.0/ 1.214-120.0/-121.0/-122.0/-123.0			
15	5.115-465.0	Washer	3.000	ST	
		Item text1: 1.151-601.0 / -602.0 / -603.0 / -604.0			
		Item text2: -605.0/ -606.0/ -607.0/-608.0/-612.0			
7	5.116-093.0	Washer	3.000	ST	
		Item text1: 1.150-601.0/-602.0/-603.0/-604.0/-606.0/-607.0/-608.0 /-609.0/-612.0/-613.0/-615.0/-619.0/-622.0 / 1.214-120.0/-121.0/-122.0 /-123.0			
10	5.115-721.0	Washer	3.000	ST	
		Item text1: 1.150-601.0/-602.0/-603.0/-604.0/-606.0/-607.0/-608.0 /-609.0/-612.0/-613.0/-615.0/-619.0/-622.0 / 1.241-120.0/-121.0/-122.0 /-123.0			
12	5.115-744.0	Washer	3.000	ST	
		Item text1: 1.151-601.0 / -602.0 / -603.0 / -604.0			
		Item text2: -605.0/ -606.0/ -607.0/-608.0/-612.0			