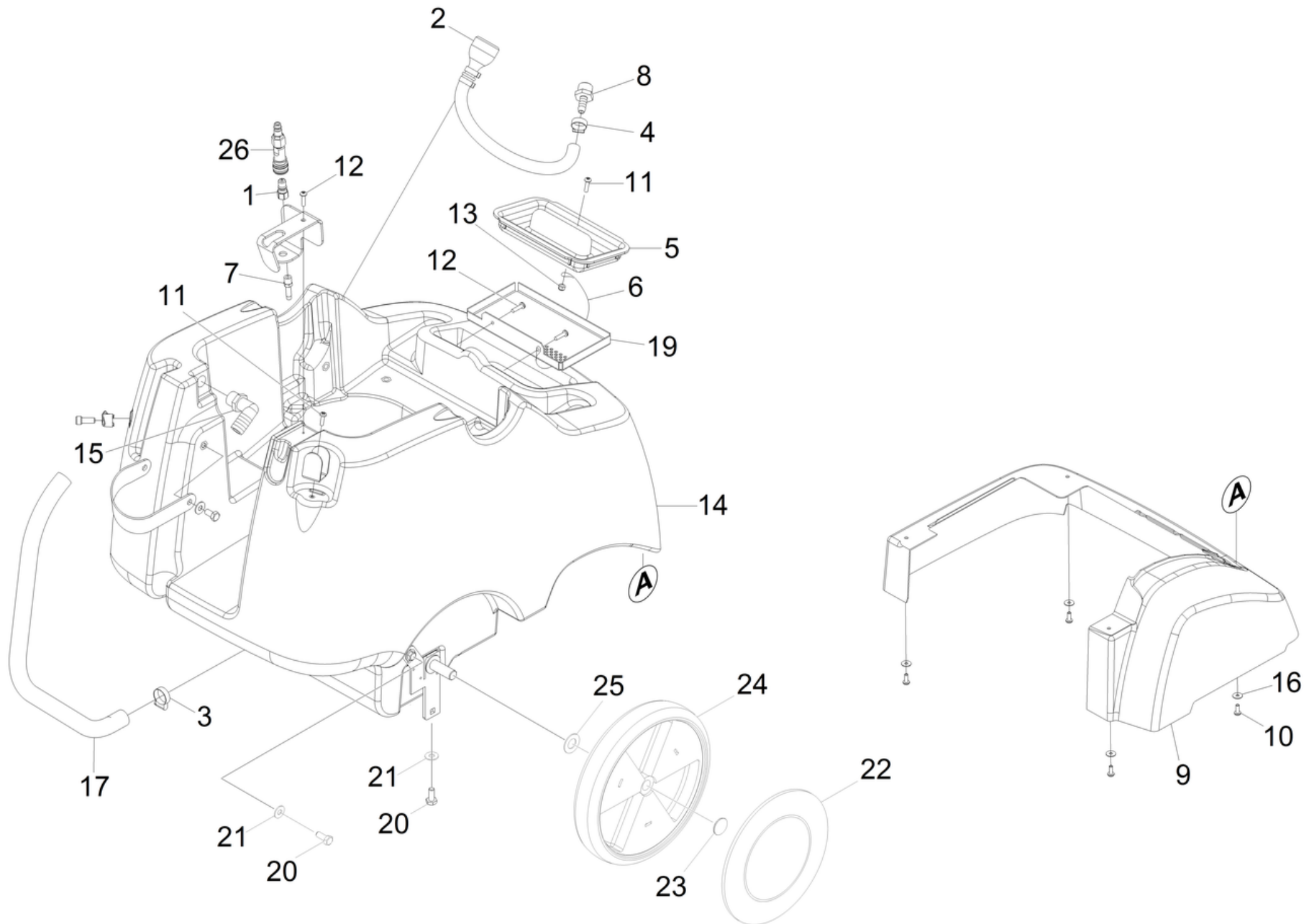


# 21 Fresh water tank

Professional \ Floor cleaner \ Walk behind \ BRC 45/45 C \ BRC 45/45 C \ Spare parts list BRC 45/45C - Clipper Duo \ Tank \ Fresh water tank



## 21 Fresh water tank

Professional \ Floor cleaner \ Walk behind \ BRC 45/45 C \ BRC 45/45 C \ Spare parts list BRC 45/45C - Clipper Duo \ Tank \ Fresh water tank



POS	Article no.	Description	Quantity	Unit	Foot note text
1	8.620-082.0	Nipple 1/8	1	PC	
2	8.626-069.0	HOSE ASM, FCT ADPTR X 60"	1	PC	
3	8.623-311.0	CLAMP, 1.0" WORM GEAR	1	PC	
4	8.623-309.0	CLAMP, 1/4 ID HOSE	1	PC	
5	8.623-479.0	COVER, CLP SOLUTION	1	PC	
6	8.624-608.0	LANYARD, 18.0 W/LOOP & EYE	1	PC	
7	8.619-752.0	Hosebarb 1/8MPT X 1/4 DL	1	PC	
8	8.619-792.0	HOSEBARB, 1/2MPT X 3/8 NYL DL	1	PC	
9	8.630-193.0	X-REF TO 8.639-526.0 1/15	1	PC	
10	8.600-686.0	SCREW, 10-16 X .5 PHPNHMS HL SS	4	PC	
11	8.627-395.0	SCREW, 6-32 X .5 PHPNHMS SS	1	PC	
12	8.627-629.0	SCREW, 10 X .75 PPNHMS HI LOW ST BLK ZN	3	PC	
13	8.627-092.0	NUT, 6-32 HEX NYLOCK SS	1	PC	
14	8.629-920.0	X-REF TO 8.641-279.0	1	PC	YELLOW
14	8.633-565.0	TANK, SOLN, TRIM, MD GRY	1	PC	GREY
15	8.624-079.0	Hosebarb 1/2 MPT X 3/4 90D	1	PC	
16	8.601-065.0	WASHER, .203 X .562 X .040 FLT	1	PC	
17	8.629-959.0	Hose 3/4id X .12w Clr X 25"	1	PC	
19	8.629-939.0	BAFFLE, FILL PORT	1	PC	
20	8.627-649.0	SCREW, 5/16-18 X .625 HHCS SS	5	PC	
21	8.601-067.0	WASHER, 5/16 FLT SS	5	PC	
22	8.630-007.0	HUBCAP, 9.75" WHEEL, BLACK	2	PC	
23	8.600-166.0	HUBCAP, 5/8" SHAFT	2	PC	
24	8.622-605.0	WHEEL, 9.75" X 1.5"	2	PC	
25	8.601-073.0	WASHER, 5/8 X .64 X 1.188 SS	2	PC	
26	8.631-030.0	ASSY, ADPT, 1/8MX1/4FPT NIPPLE	1	PC	