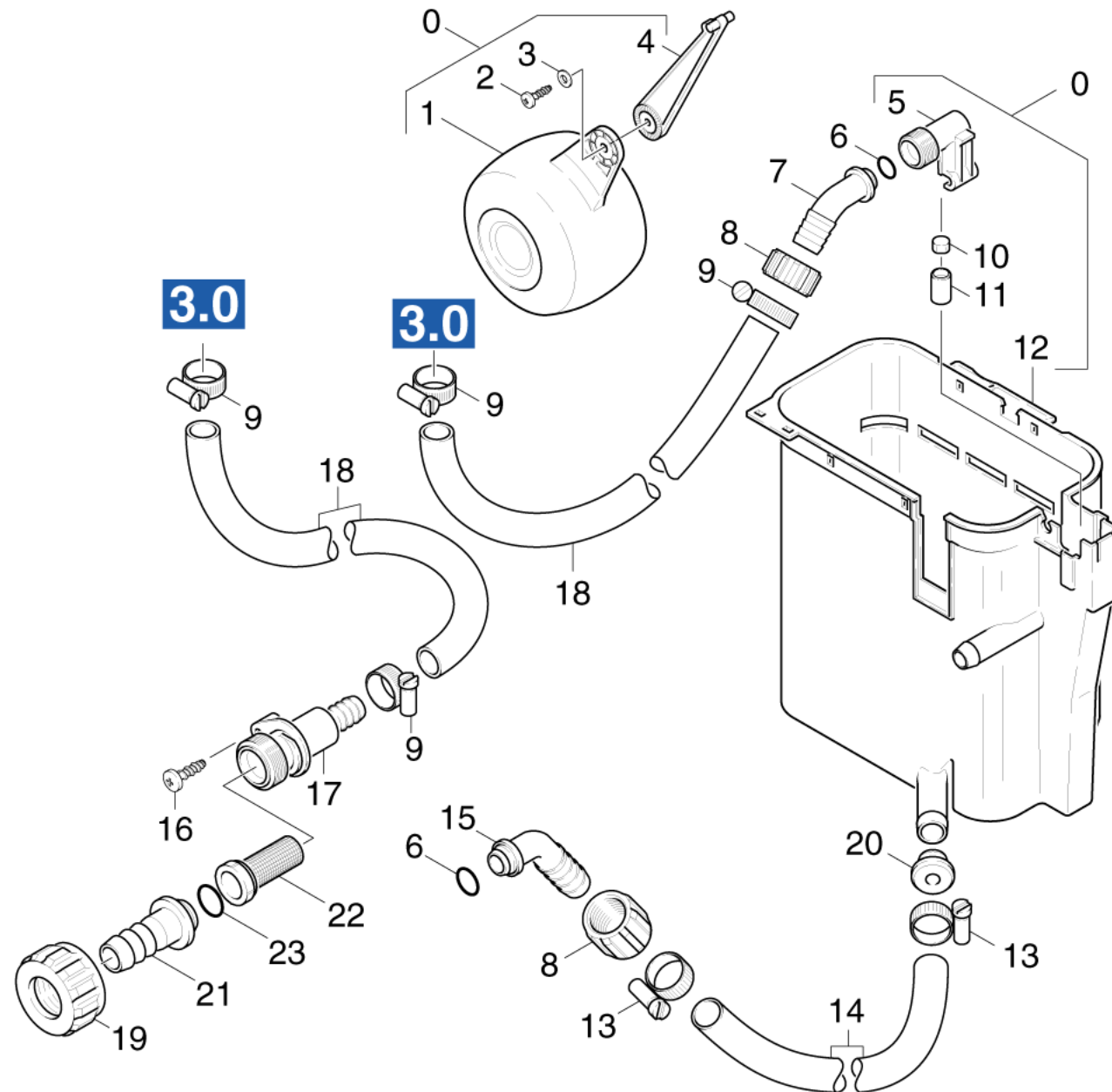


81 Float chest

Professional \ High pressure cleaner hotwater \ Electric motor \ HDS 895 *VEX /EU-I \ Spare parts list HDS 895 \ Float chest \ Float chest



81 Float chest

Professional \ High pressure cleaner hotwater \ Electric motor \ HDS 895 *VEX /EU-I \ Spare parts list HDS 895 \ Float chest \ Float chest

KÄRCHER

POS	Preces Nr.	Apraksts	Skaitis	Vienība	Sērijas numurs no	Sērijas numurs līdz	Zemsvītras piezīme
7	5.443-285.0	Caurules nipelis	1.000	ST	0000000000	0000000000	
21	5.443-291.0	Caurules nipelis	1.000	ST	0000000000	0000000000	
17	5.427-154.0	Cauruļvads	1.000	ST	0000000000	0000000000	
0	3.593-082.0	float valve	1.000	ST	0000000000	0000000000	
6	6.362-078.0	Gredzenblīve 13,3x2,4	2.000	ST	0000000000	0000000000	
23	6.362-161.0	Gredzenblīve 19,3 X 2,4	1.000	ST	0000000000	0000000000	
14	6.389-556.0	Hose 19x4	1.000	ST	0000000000	0000000000	
9	6.388-547.0	Hose clip	4.000	ST	0000000000	0000000000	
13	6.388-548.0	Hose clip	2.000	ST	0000000000	0000000000	
18	6.388-719.0	Hose DN17	1.000	M	0000000000	0000000000	TO ORDER AS CUT GOODS
15	5.443-211.0	Hose stem	1.000	ST	0000000000	0000000000	
3	7.312-282.0	Paplāksne 5 -A2 ISO 7093-1	1.000	ST	0000000000	0000000000	
10	5.364-095.0	Plakana blīve	1.000	ST	0000000000	0000000000	
1	5.585-004.0	Pludiņš	1.000	ST	0000000000	0000000000	
16	7.303-112.0	Screw 6x20 -10.9-R2R (In6Rd)	1.000	ST	0000000000	0000000000	
22	6.414-141.0	Sieta filtrs	1.000	ST	0000000000	0000000000	
2	7.303-104.0	Skrūve 5x16 -A2-70 (IN6RD)	1.000	ST	0000000000	0000000000	
20	5.112-286.0	Sleeve	1.000	ST	0000000000	0000000000	
4	5.481-118.0	Svira	1.000	ST	0000000000	0000000000	
12	5.070-140.0	Tvertne	1.000	ST	0000000000	0000000000	
8	5.310-062.0	Uzgrieznis	2.000	ST	0000000000	0000000000	
19	5.310-076.0	Uzgrieznis	1.000	ST	0000000000	0000000000	
5	5.587-147.0	Valve housing	1.000	ST	0000000000	0000000000	
11	5.584-085.0	Vārsta ass	1.000	ST	0000000000	0000000000	