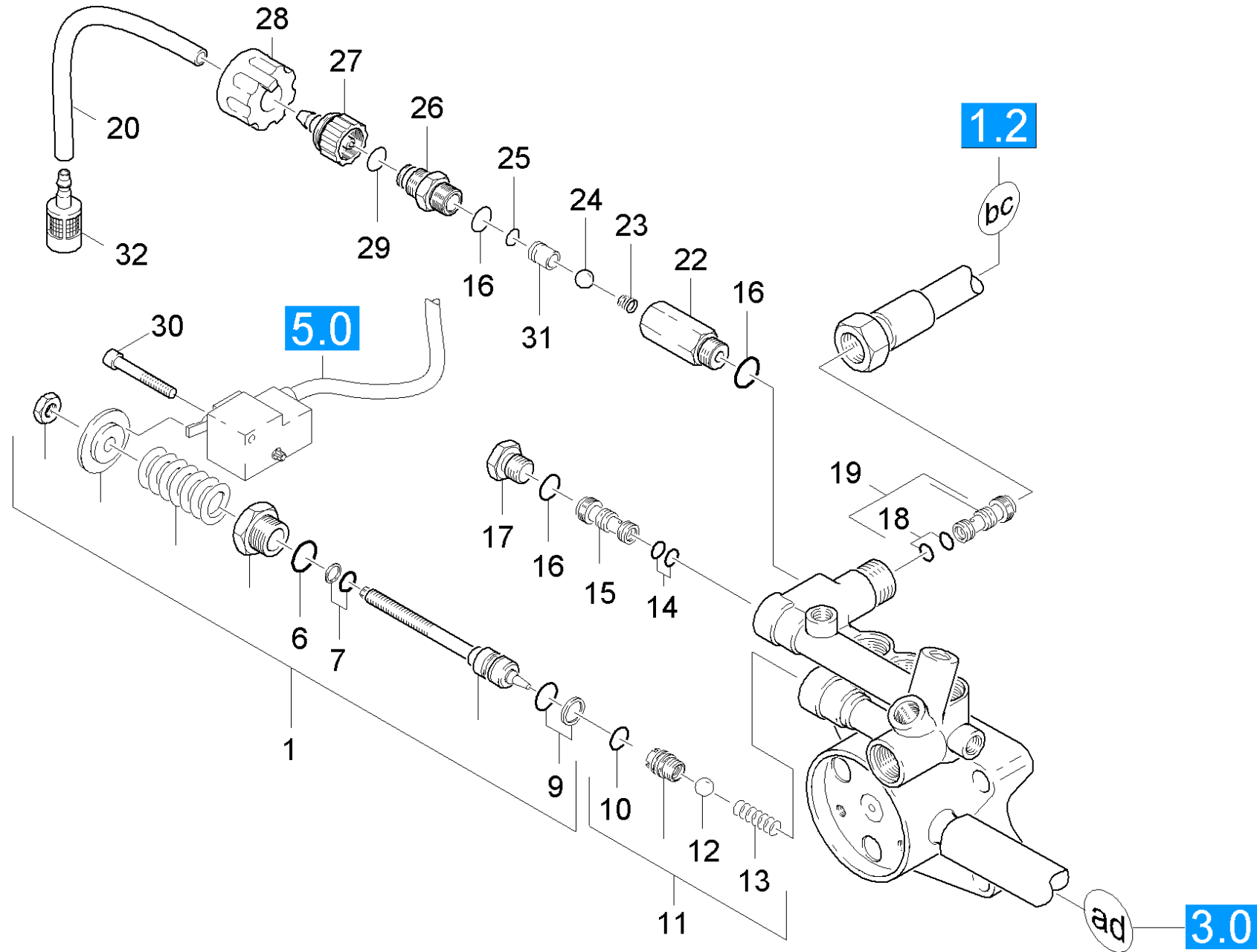


## 21 Excess-current

Professional \ High pressure cleaner cold water \ Electric motor \ HD 16/15 PLUS \*EU-I \ Spare parts list HD 16/15 \ Pump set \ Excess-current

**KÄRCHER**



## 21 Excess-current

Professional \ High pressure cleaner cold water \ Electric motor \ HD 16/15 PLUS \*EU-I \ Spare parts list HD 16/15 \ Pump set \ Excess-current

**KÄRCHER**

POS	Article no.	Description	Quantity	Unit
30	7.306-136.0	Cylinder head screw M 5x35-A4-70 ISO 47	1.000	ST
1	4.591-042.0	Excess-current	1.000	ST
32	5.731-652.0	Filter with weight	1.000	ST
28	5.321-318.0	Handhold	1.000	ST
13	5.332-999.0	Helical spring	1.000	ST
23	5.332-124.0	Helical spring	1.000	ST
20	6.388-216.0	Hose DN 5	1.000	M
27	5.443-281.0	Hose stem	1.000	ST
19	5.769-152.0	Nozzle insert D1,9/D2,5/L38	1.000	ST
15	5.769-135.0	Nozzle insert D2,8/ D3,4/ L38	1.000	ST
29	6.362-151.0	O-Ring d. 10 x 2 NBR 70	1.000	ST
25	6.362-383.0	O-Ring seal 6,0 X 2,0	1.000	ST
18	6.362-384.0	O-Ring seal 9x1,5 - NBR 70	4.000	ST
14	6.362-384.0	O-Ring seal 9x1,5 - NBR 70	1.000	ST
10	6.362-858.0	O-Ring seal 11,0 X 1,5	1.000	ST
16	6.362-533.0	O-Ring seal 14,0 X 1,5-NBR 70	3.000	ST
6	6.362-445.0	O-Ring seal 16,0 X 2,4-NBR 80	1.000	ST
7	6.362-365.0	O-Ring seal complete 1ST.-R.- 7,65X 1,7	1.000	ST
9	6.363-333.0	O-Ring seal complete 12,42 H-NBR 85 1St-	1.000	ST
17	5.411-107.0	Screw plug	1.000	ST
26	5.402-523.0	Screw union	1.000	ST
22	5.402-678.0	Screw union	1.000	ST
12	7.401-907.0	Sphere 3/8 G200-1.4301 DIN 5401	1.000	ST
24	7.401-908.0	Sphere 7 G300 -1.4301 DIN 5401	1.000	ST
31	5.028-692.0	Tube	1.000	ST
11	4.481-226.0	Valve seat complete	1.000	ST