

Spare parts list

(1.673-155.0) K 2 Basic *EU

Table of contents

K 2 Basic *EU (1.673-155.0)	4
Spare parts list K2 Basic *EU (CORE) (5.972-077.0)	5
10 Housing	6
5 Spare parts set strain relief with cable (2.885-475.0)	8
5 Spare parts set strain relief with cable (2.885-486.0)	10
20 Pump set	12
21 Pump set	14
22 Cylinder head	15
23 Thrust guidance	17
24 Pump set R V	19
3 Spare parts set nipple chemistry RV (2.885-396.0)	21
4 Spare parts set control piston with nipp (2.885-397.0)	22
2 Spare parts set nipple chemistry RV (2.885-396.0)	24
5 Cylinder head for replacement (981) RV (4.551-144.0)	25
1 Cylinder head complete RV K2.0X	26
Cylinder head only for replacement (4.551-159.3)	28
40 Cylinder head RV K2.0X	30
45 Spare parts set control piston with nipp (2.885-397.0)	32
2 Spare parts set nipple chemistry RV (2.885-396.0)	34
43 Thrust guidance complete quadruple	35
7 Suction cover for replacement with SV5 ((4.063-913.0)	37
12 High-pressure outlet for replacement wit (4.063-914.0)	39
30 Motor	41
31 Motor	43
32 Motor	45
10 Spare part set planet wheel (4.100-662.0)	47
40 Accessories	49
41 Hand trigger gun	50
4 HK 4 high pressure hose set+pistol *DE (2.643-912.0)	52
1 G 180 Q Trigger gun Quick Connect (2.642-889.0)	54
2 High pressure hose 13,5MPa/4 40°C QCS B (6.396-713.0)	56
42 Hand trigger gun	57
1 G 120 Q (4.775-830.0)	59
3 High pressure hose 12MPa/10 40°C NQC B (6.396-228.0)	61
3 High pressure hose 12MPa/4 40°C NQCS B (6.396-525.0)	63
43 Vario-Power Jet pipe K2	65
2 VPS K2 0287 (4.760-723.0)	67
44 Vario-Power Jet pipe K2	69

Table of contents

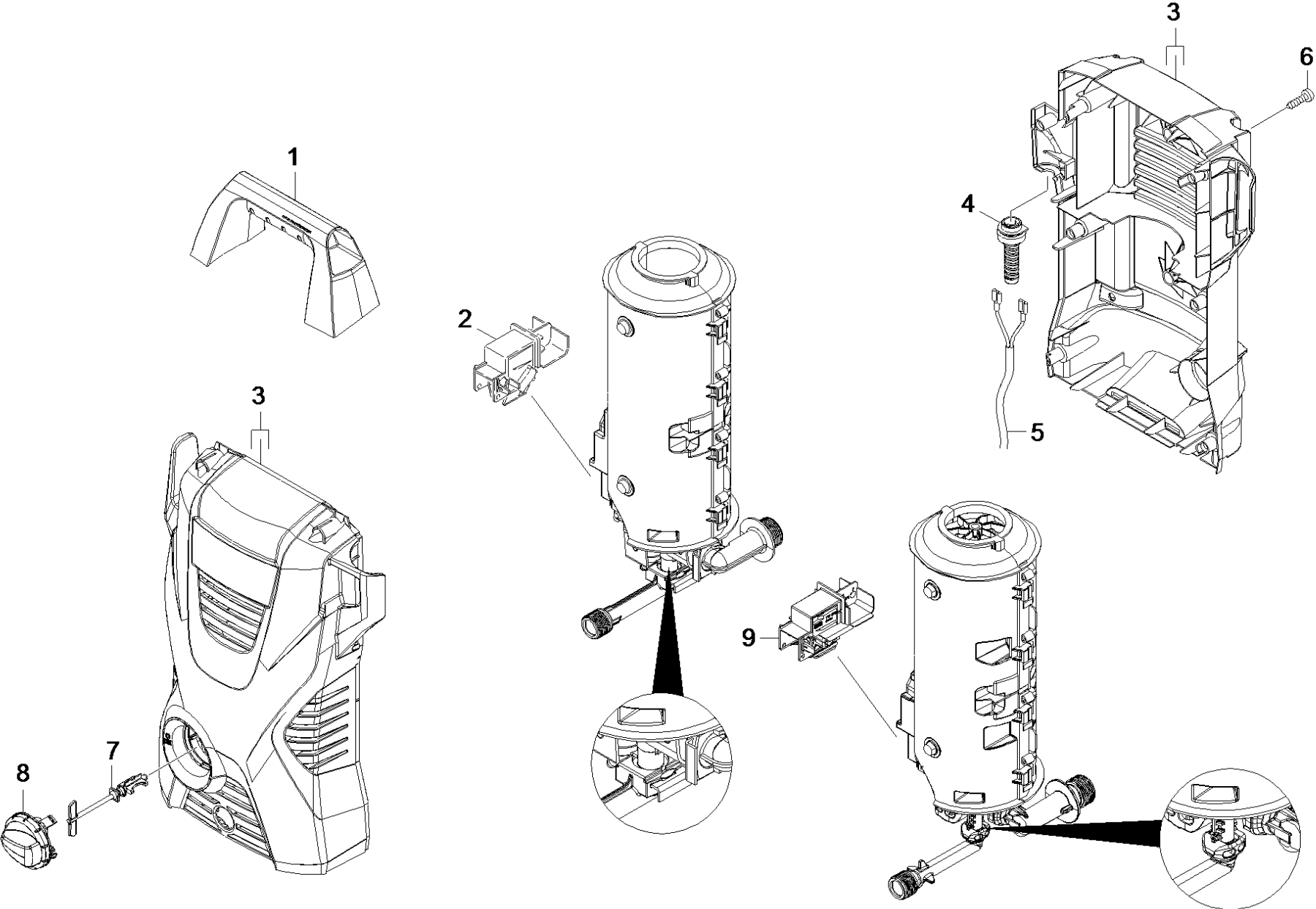
2 VPS K2 025 (4.760-535.0)	71
45 Dirt blaster	73
2 Dirt blaster K2 027 St (4.764-243.0)	75
46 Washing brush	77
47 Foam lance	79
48 Surface cleaner T 50	81
3 Single-step jet pipe extension (2.643-240.0)	83
8 Spare parts nozzles T-Racer (2.643-338.0)	85
49 Surface cleaner	88
1 Spare parts nozzles T-Racer (2.643-338.0)	90
2 Spare part set rotor complete (2.883-000.0)	93
6 Single-step jet pipe extension (2.643-240.0)	95
1 Spare parts list K2 Basic *EU (2017)	97
1 Pump set RVu K2*EU (0,75kW;QC)INA	99
103 Gear complete 6°12'/4,02 RV upr. (INA)	101
901 Spare part set planet wheel (4.100-662.0)	103
901 Suction cover for replacement with SV5 ((4.063-913.0)	105
902 High-pressure outlet with clamp for repl (4.064-047.0)	107
903 Cylinder head for replacement (981) RV (4.551-144.0)	109
1 Cylinder head complete RV K2.0X	110
Cylinder head only for replacement (4.551-159.3)	112
40 Cylinder head RV K2.0X	114
45 Spare parts set control piston with nipp (2.885-397.0)	116
2 Spare parts set nipple chemistry RV (2.885-396.0)	118
43 Thrust guidance complete quadruple	119
1 Pump set RVu K2*EU (0,75kW;QC/S)INA	121
103 Gear complete 6°12'/4,02 RV upr. (INA)	123
901 Spare part set planet wheel (4.100-662.0)	125
901 Suction cover for replacement with SV5 ((4.063-913.0)	127
902 High-pressure outlet with clamp for repl (4.064-047.0)	129
903 Cylinder head for replacement (016) RV (4.551-171.0)	131
9002 Spare parts set control piston with clos (2.885-424.0)	133
7 Dirt blaster Entry 026 St (4.764-317.0)	135
10 G 120 Q (4.775-830.0)	137
13 High pressure hose 12MPa/4 40°C QCS B (6.396-513.0)	139
85 Switch with axle RV	141
87 Spare parts set strain relief with cable (2.885-475.0)	143

K 2 Basic *EU (1.673-155.0)

POS	Article no.	Description	Quantity	Unit	Foot note text
0	5.972-077.0	Spare parts list K2 Basic *EU (CORE)	1.000	ST	
1		Spare parts list K2 Basic *EU (2017)	1.000	ST	NEW VERSION

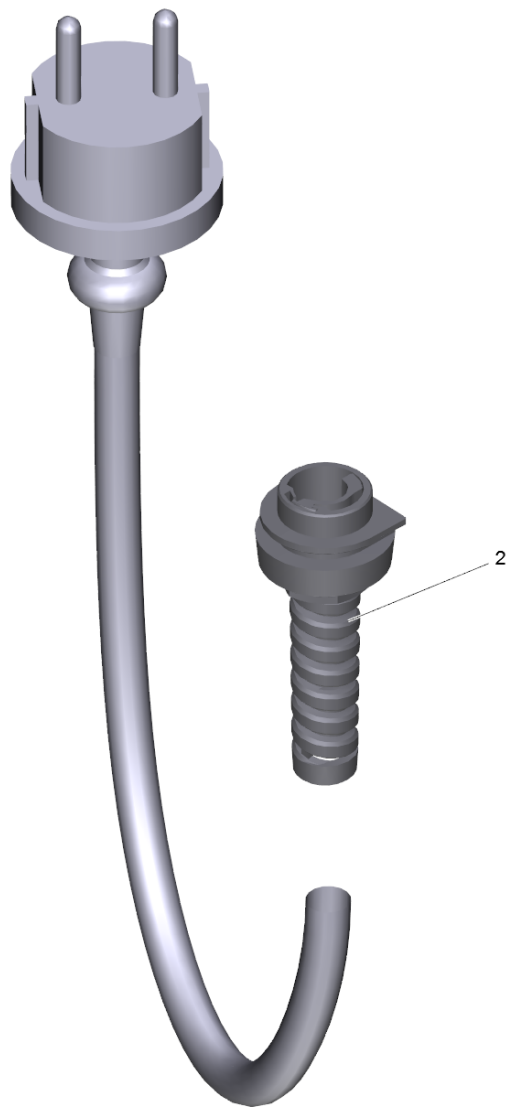
Spare parts list K2 Basic *EU (CORE) (5.972-077.0)

POS	Description	Quantity	Unit
10	Housing	1.000	ST
20	Pump set	1.000	ST
30	Motor	1.000	ST
40	Accessories	1.000	ST



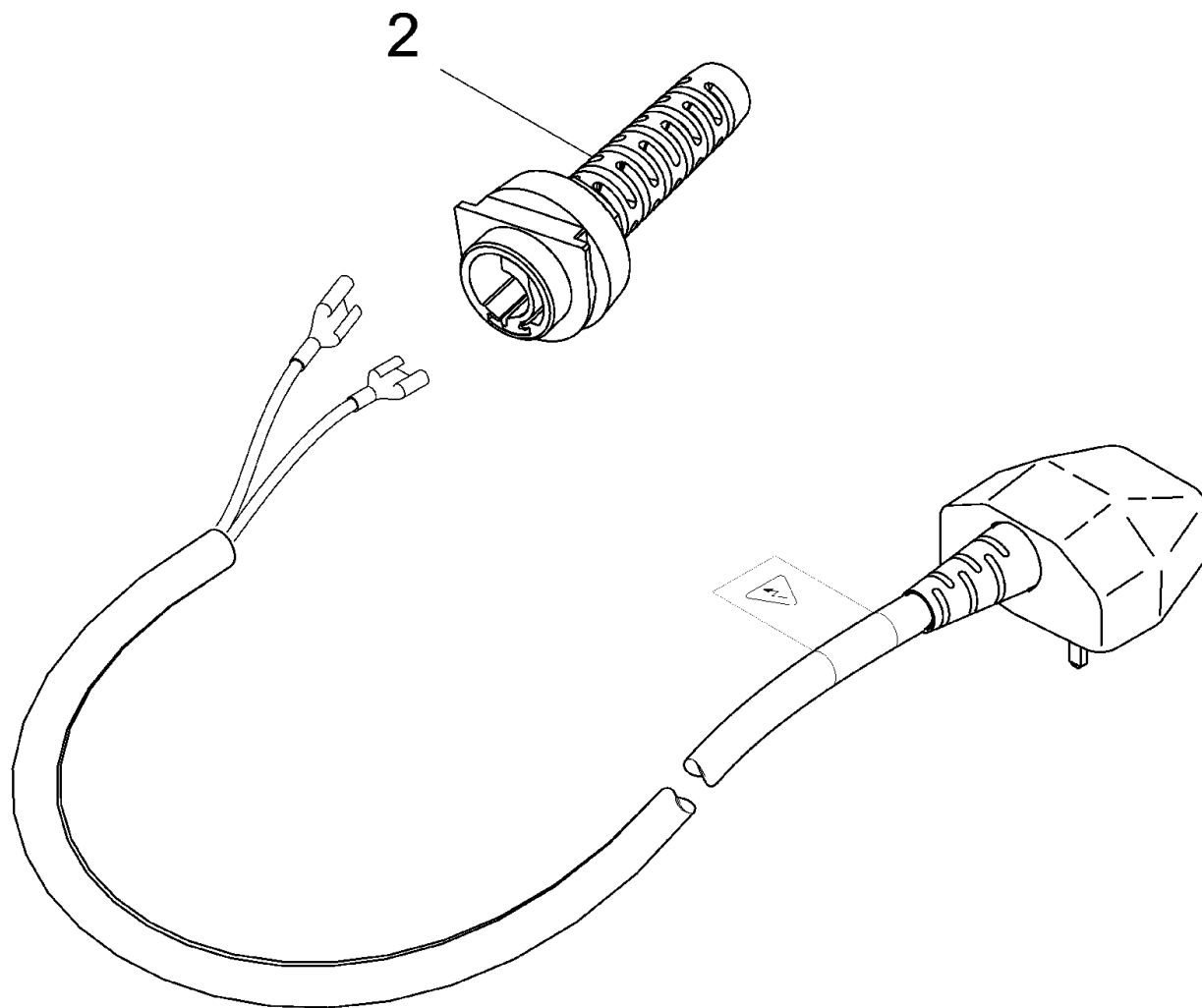
10 Housing

POS	Article no.	Description	Quantity	Unit
1	5.322-038.0	Handhold small K2 Modul-Range	1.000	ST
2	6.630-357.0	Switch complete UL/CSA+Ers. (ohne Fluege	1.000	ST
3	5.067-550.0	Housing pair replacement KÄRCHER	1.000	ST
4	9.760-372.0	strain relief	1.000	ST
5	2.885-487.0	Spare parts set strain relief with cable	1.000	ST
	Item text1: 1.673-152.0			
5	2.885-486.0	Spare parts set strain relief with cable	1.000	ST
	Item text1: 1.673-151.0			
5	2.885-475.0	Spare parts set strain relief with cable	1.000	ST
	Item text1: 1.673-150.0 /-153.0 /-155.0			
6	7.303-096.0	Screw 4x22 -ST-10.9-R2R (IN6RD)	7.000	ST
7	5.105-659.0	Axle UZS 75.5mm	1.000	ST
8	5.322-039.0	Handhold switch Modul Range	1.000	ST
9	6.630-768.0	Switch replacement + UL/CSA RV	1.000	ST



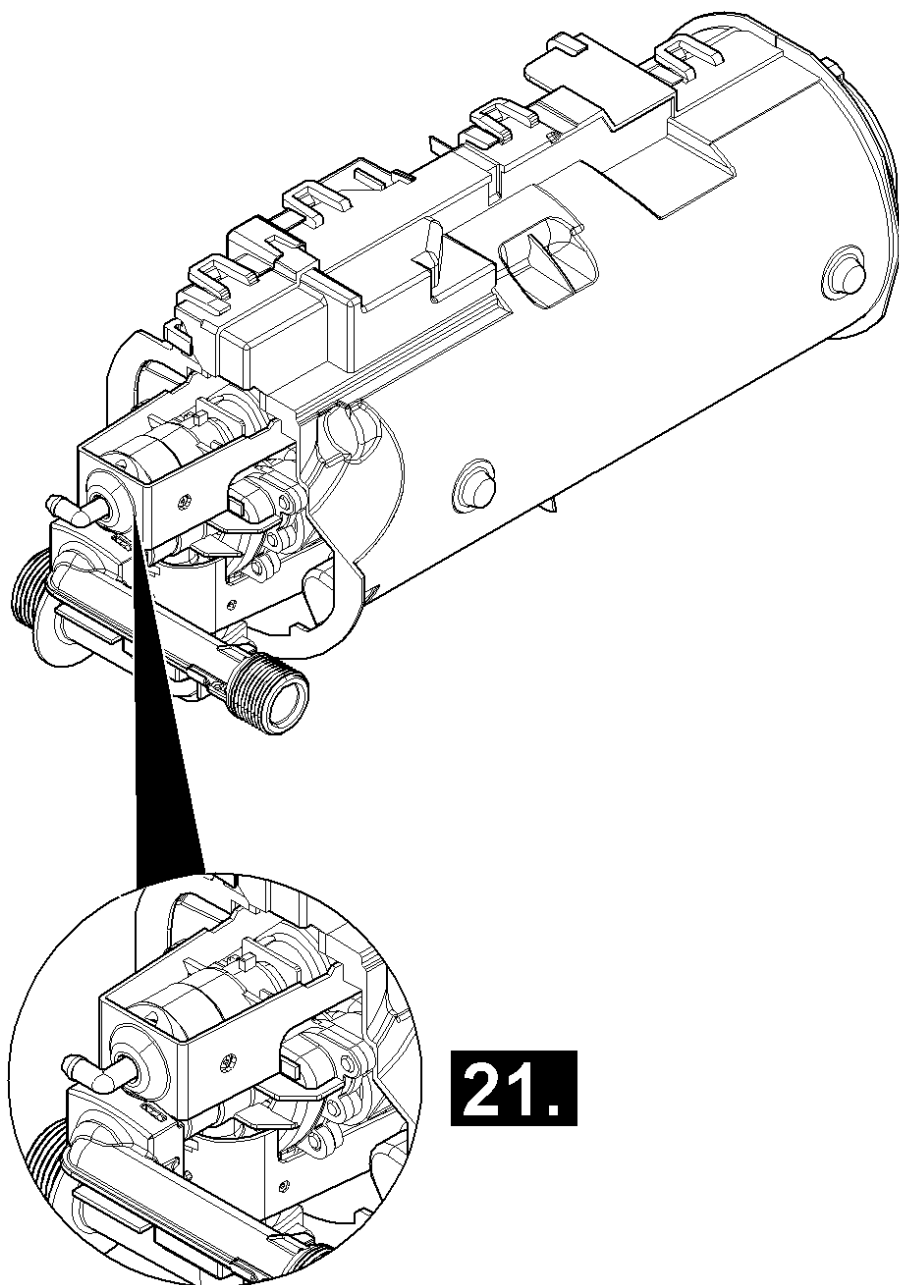
5 Spare parts set strain relief with cable (2.885-475.0)

POS	Article no.	Description	Quantity	Unit
2	9.760-372.0	strain relief	1.000	ST

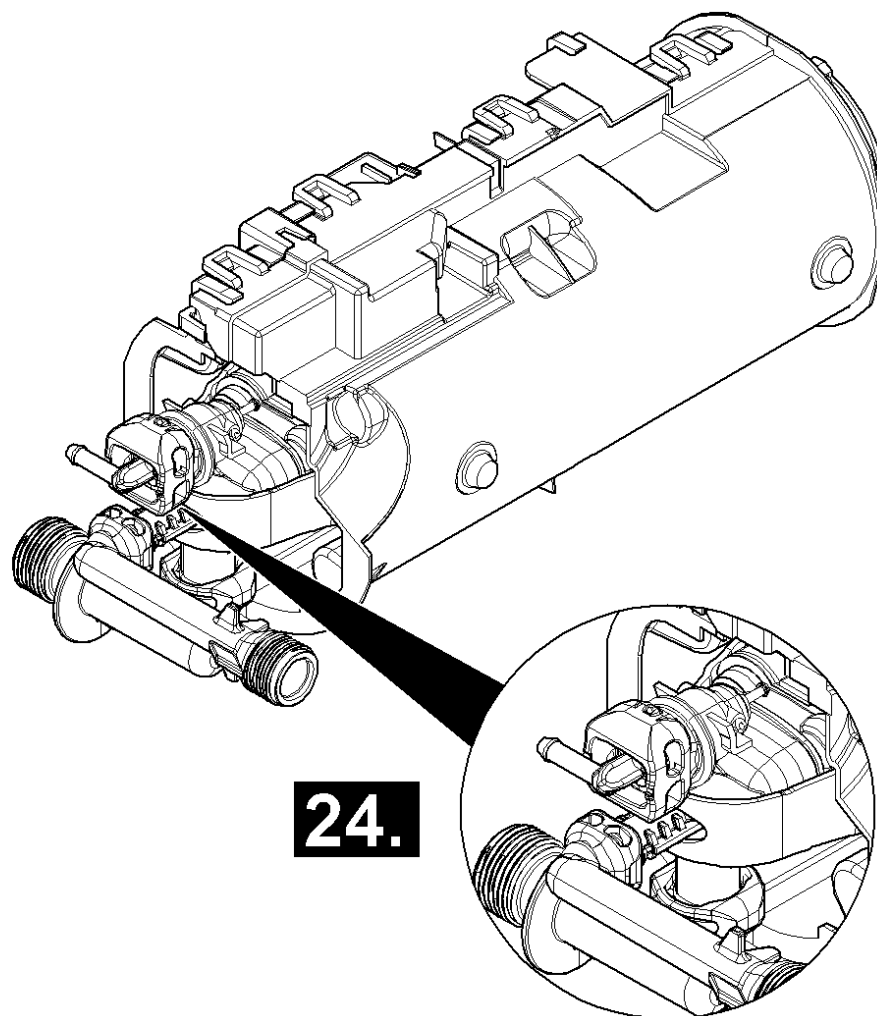


5 Spare parts set strain relief with cable (2.885-486.0)

POS	Article no.	Description	Quantity	Unit
2	9.760-372.0	strain relief	1.000	ST



21.



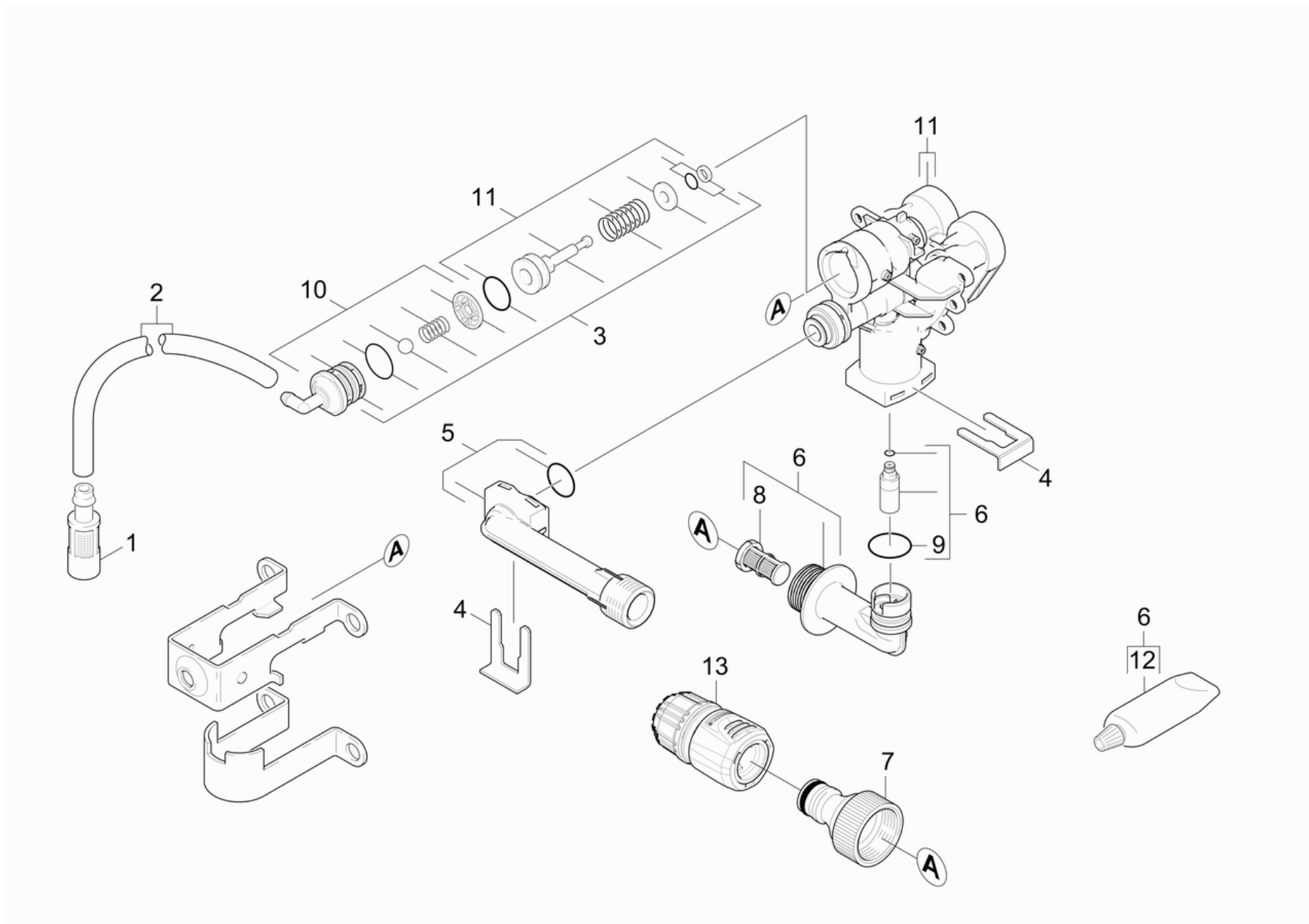
24.

20 Pump set

POS	Description	Quantity	Unit	Foot note text
21	Pump set	1.000	ST	VERSION 1
24	Pump set R V	1.000	ST	VERSION 2

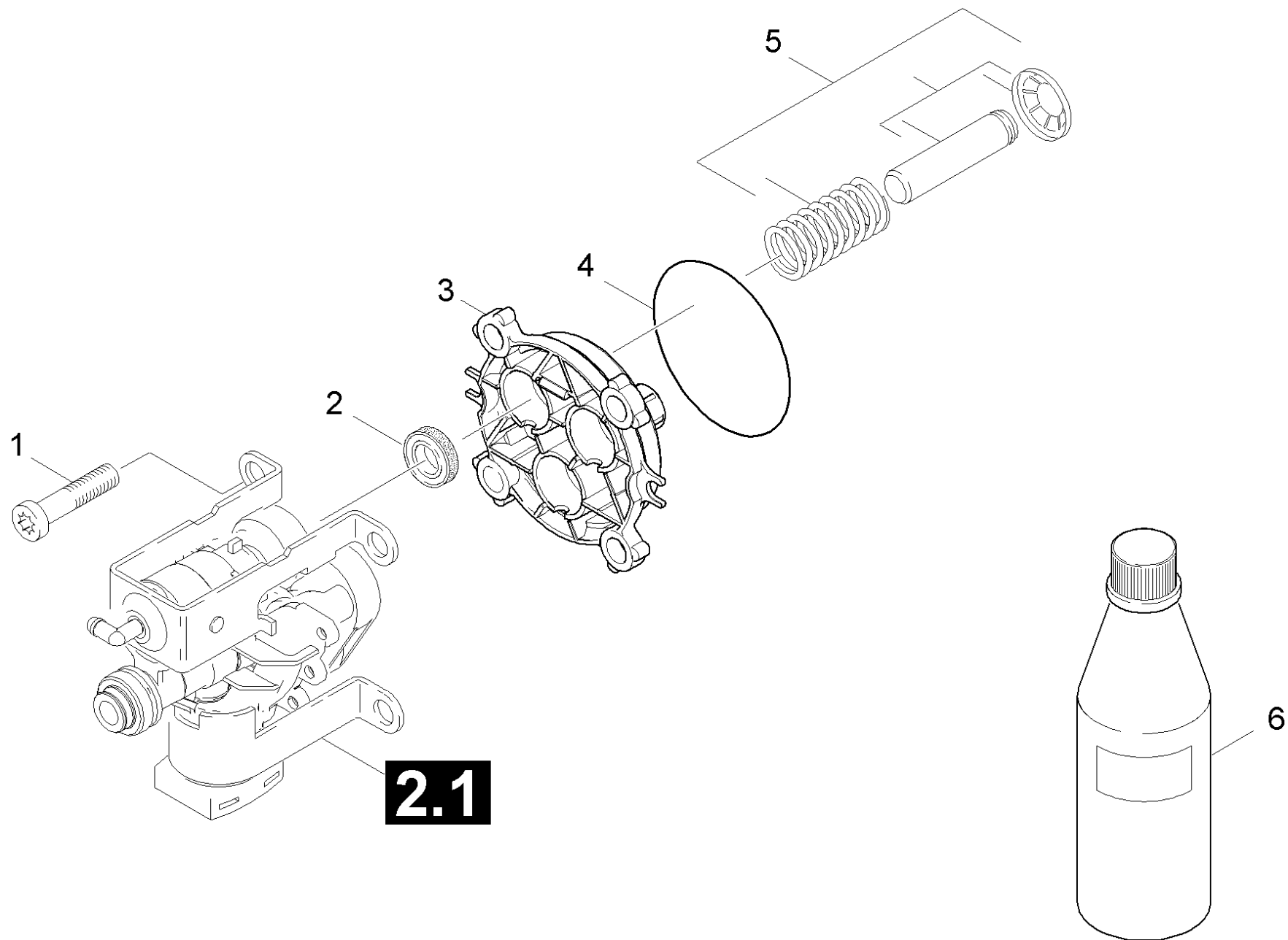
21 Pump set

POS	Description	Quantity	Unit
22	Cylinder head	1.000	ST
23	Thrust guidance	1.000	ST



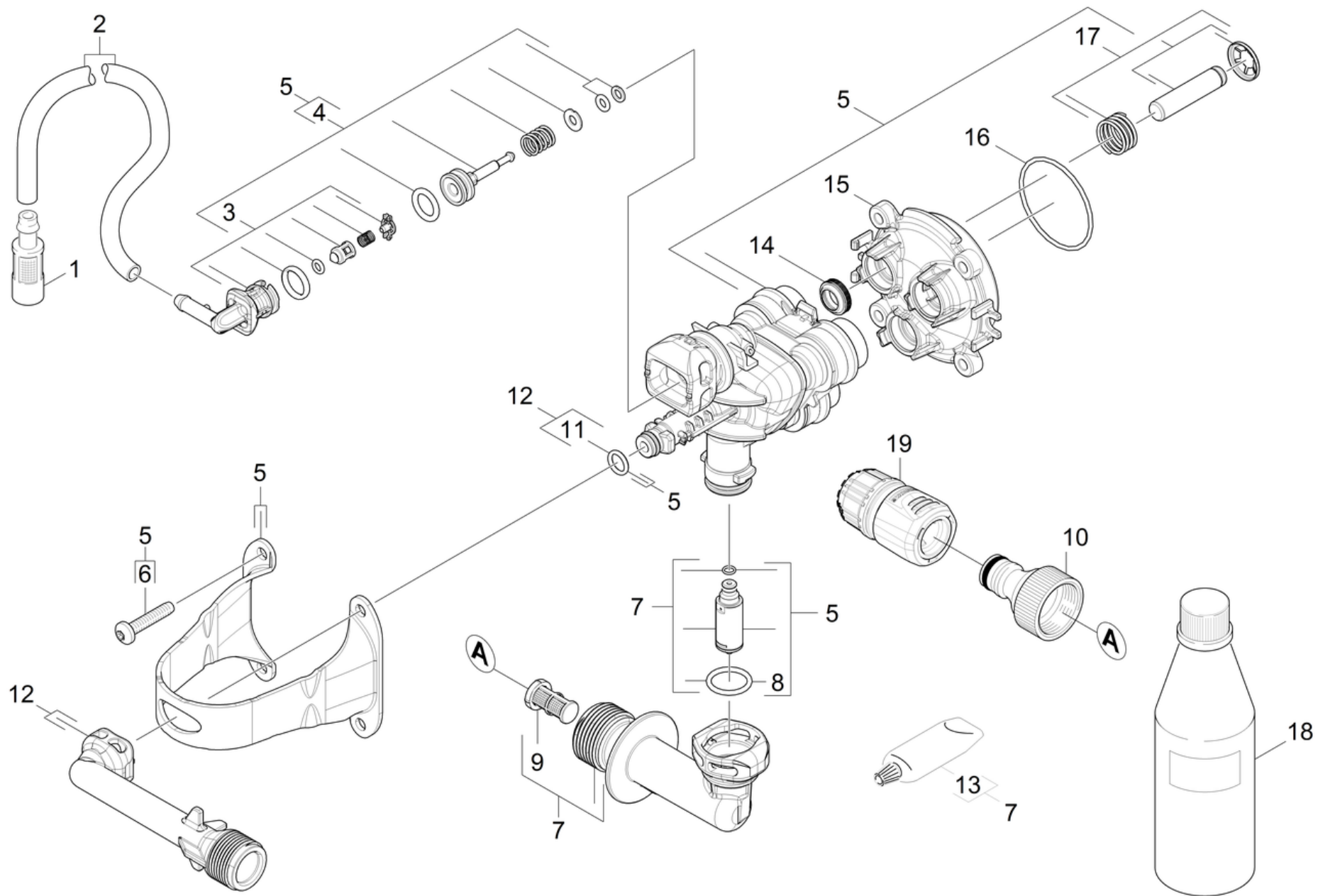
22 Cylinder head

POS	Article no.	Description	Quantity	Unit	Foot note text
1	5.731-652.0	Filter with weight	1.000	ST	
2	6.388-216.0	Hose DN 5	1.000	M	TO ORDER AS CUT GOODS
3	2.885-285.0	Spare parts set control piston with nipp	1.000	ST	
4	5.048-406.0	Clamp	2.000	ST	
5	4.063-783.0	Outlet high-pressure with O-Ring seal	1.000	ST	
6	4.063-855.0	Suction cover and safety valve (K2.14/15	1.000	ST	
7	6.465-031.0	Connection 3/4	1.000	ST	
8	5.731-004.0	Fine filter short (2015/17)	1.000	ST	
9	6.506-016.0	O-Ring seal 15,54x2,62-NBR 70	1.000	ST	
10	2.885-325.0	Spare parts set nipple chemistry (-90°)	1.000	ST	
11	4.551-056.0	Cylinder head for replacement (684)	1.000	ST	
12	6.288-072.0	Silicon grease	1.000	ST	
13	4.645-332.0	HOSE CONNECTOR 1/2" / 5/8" OPP	1.000	ST	
	Item text1: 1.673-138.0				



23 Thrust guidance

POS	Article no.	Description	Quantity	Unit
1	6.303-497.0	Screw M8x35-8.8-A2E (IN6RD)	4.000	ST
2	6.365-393.0	Oil sealing 12x20x4/6	3.000	ST
3	5.060-853.0	Thrust guidance PA6.6	1.000	ST
4	6.362-902.0	O-Ring 60x2,5 NBR 70	1.000	ST
5	2.884-859.0	Spare part set piston GSF	3.000	ST
6	6.288-112.0	Engine oil 10W-60, 1L	1.000	ST

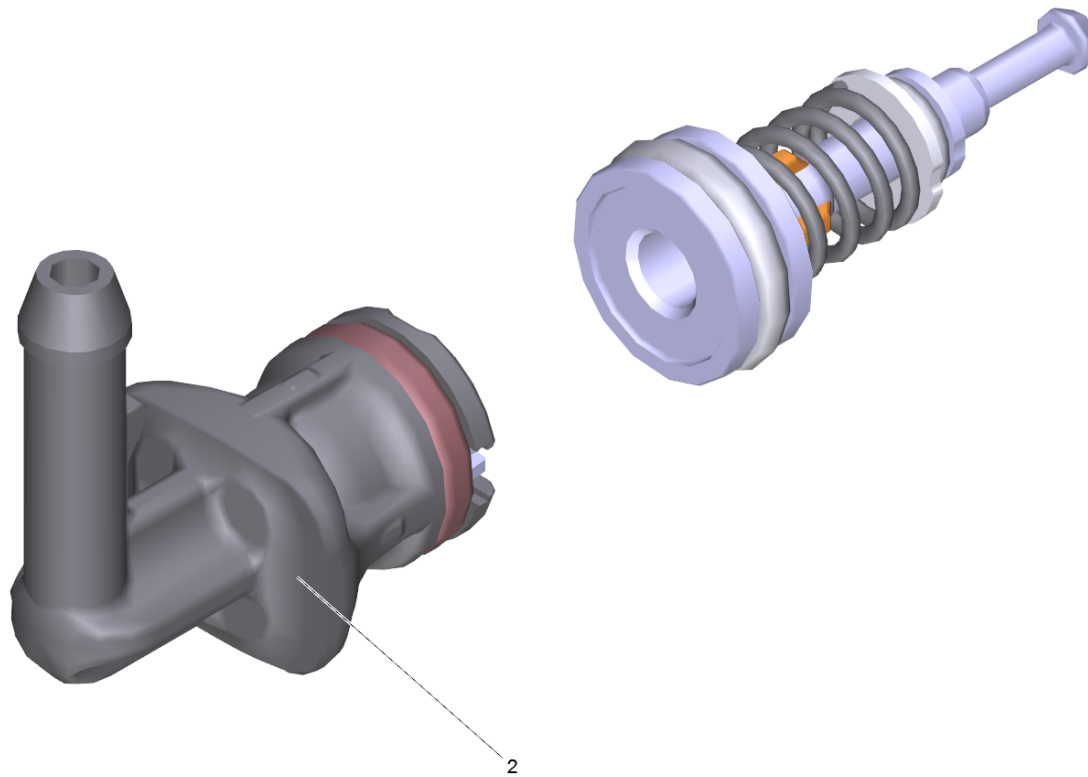


24 Pump set R V

POS	Article no.	Description	Quantity	Unit	Remark	Foot note text
1	5.731-652.0	Filter with weight	1.000	ST		
2	6.388-216.0	Hose DN 5	1.000	M		TO ORDER AS CUT GOODS
3	2.885-396.0	Spare parts set nipple chemistry RV	1.000	ST		
4	2.885-397.0	Spare parts set control piston with nipp	1.000	ST		
5	4.551-144.0	Cylinder head for replacement (981) RV	1.000	ST		
6	6.303-519.0	Screw M5x25-10.9-A2E (IN6RD/T25)	4.000	ST	7 +/-1 Nm	
7	4.063-913.0	Suction cover for replacement with SV5 (1.000	ST		
8	6.362-427.0	O-Ring seal 15,0x2,0	1.000	ST		
9	5.731-004.0	Fine filter short (2015/17)	1.000	ST		
10	6.465-031.0	Connection 3/4	1.000	ST		
11	6.362-113.0	O-Ring seal 6,0 x 2,0 NBR 70	1.000	ST		
12	4.063-914.0	High-pressure outlet for replacement wit	1.000	ST		
13	6.288-072.0	Silicon grease	1.000	ST		
14	6.365-581.0	Grooved ring 12x18x4/6 NBR 75 Shore A	3.000	ST		
15	5.062-412.0	Thrust guidance V2 R V	1.000	ST		
16	6.362-826.0	O-Ring seal 61,6x2,62	1.000	ST		
17	2.885-398.0	Spare parts set piston with spring RV	3.000	ST		
18	6.288-112.0	Engine oil 10W-60, 1L	1.000	ST		
19	4.645-332.0	HOSE CONNECTOR 1/2" / 5/8" OPP	1.000	ST		
	Item text1: 1.673-138.0					

3 Spare parts set nipple chemistry RV (2.885-396.0)

POS	Article no.	Description	Quantity	Unit
2	6.288-088.0	Grease Molikote 55 M	1.000	ST



4 Spare parts set control piston with nipp (2.885-397.0)

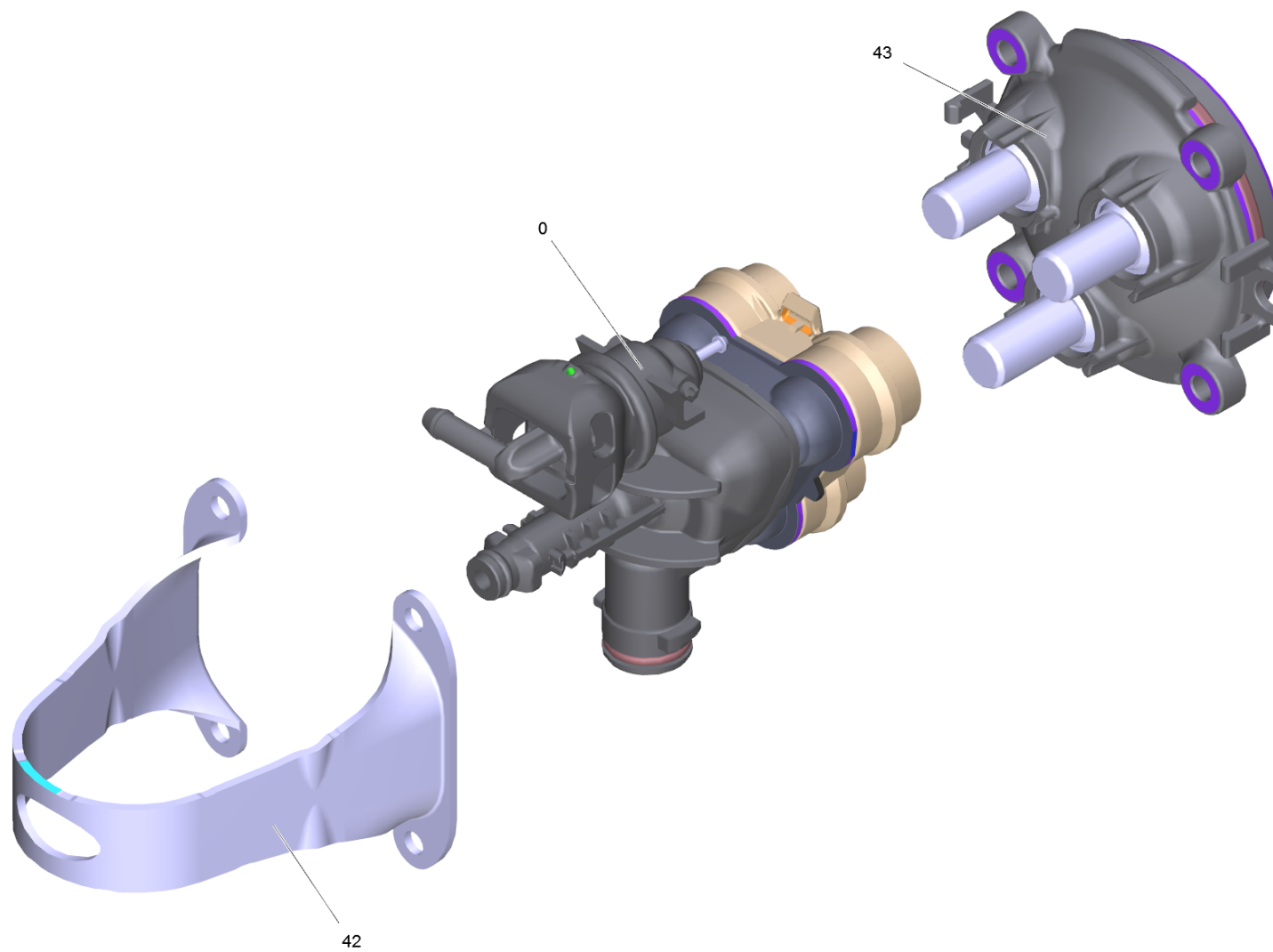
POS	Article no.	Description	Quantity	Unit
2	2.885-396.0	Spare parts set nipple chemistry RV	1.000	ST

2 Spare parts set nipple chemistry RV (2.885-396.0)

POS	Article no.	Description	Quantity	Unit
2	6.288-088.0	Grease Molikote 55 M	1.000	ST

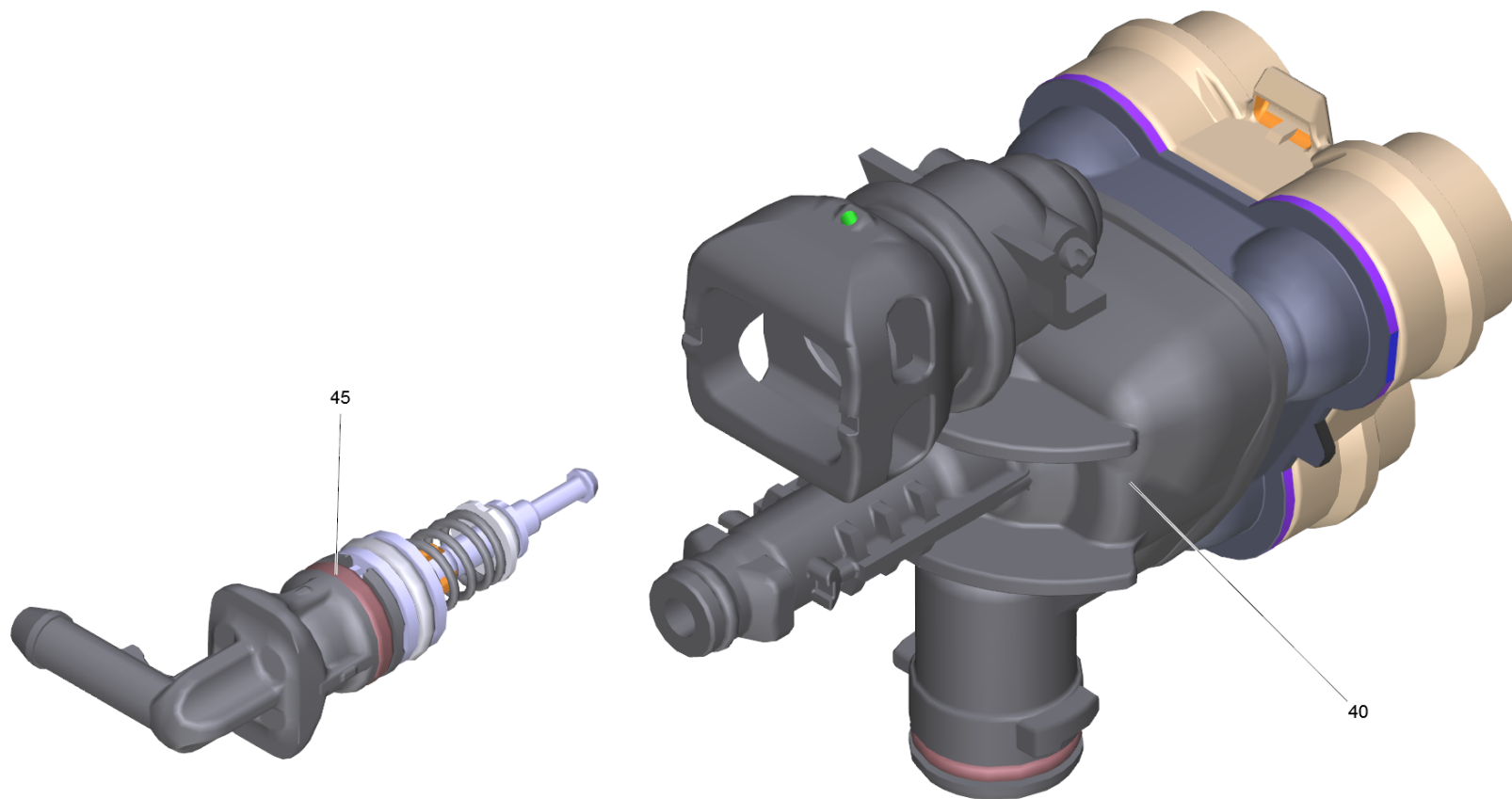
5 Cylinder head for replacement (981) RV (4.551-144.0)

POS	Description	Quantity	Unit
1	Cylinder head complete RV K2.0X	1.000	ST



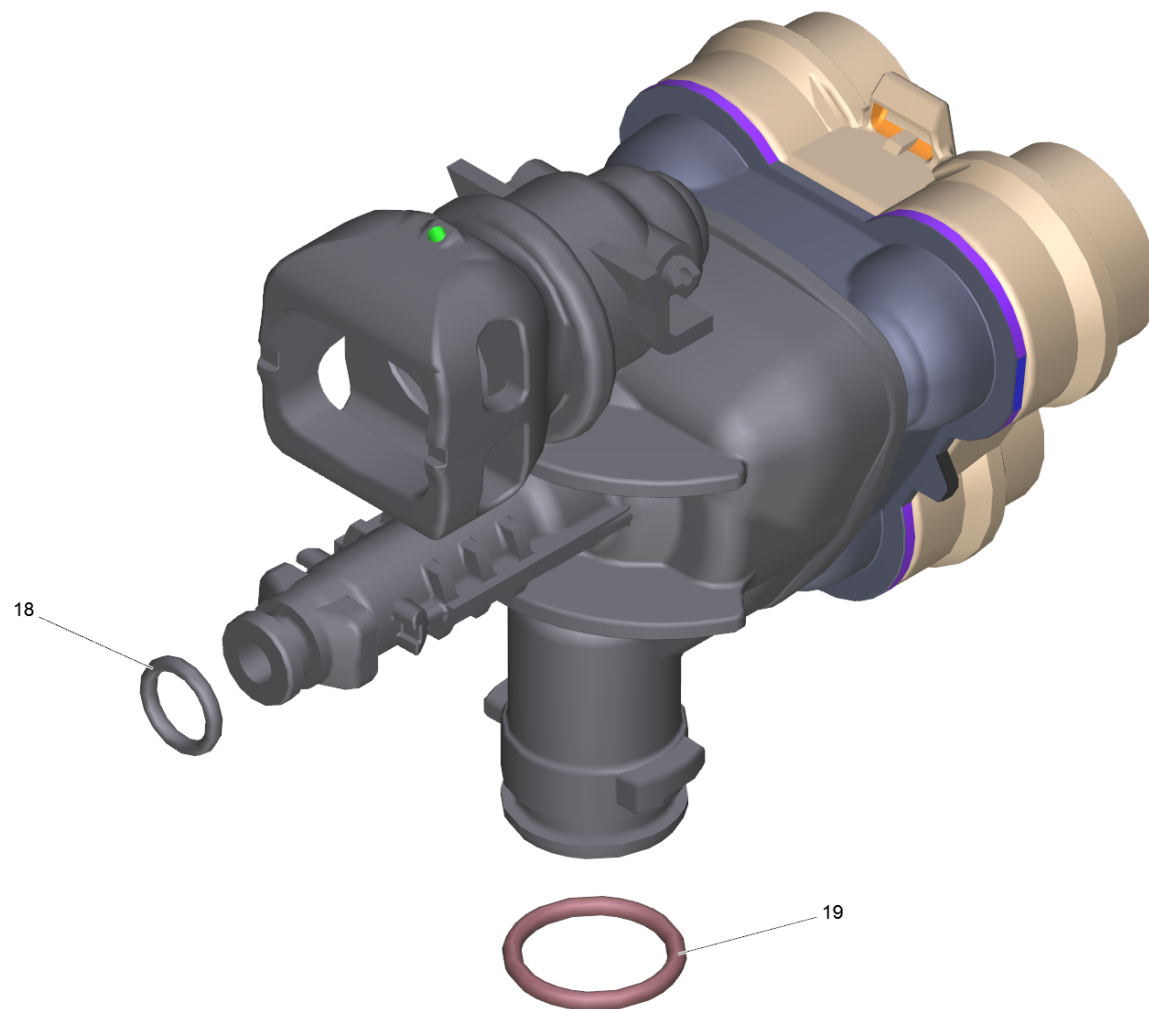
1 Cylinder head complete RV K2.0X

POS	Article no.	Description	Quantity	Unit
0	4.551-159.3	Cylinder head only for replacement	1.000	ST
42	5.051-384.0	Sheet metal component 4-fach	1.000	ST
43		Thrust guidance complete quadruple	1.000	ST



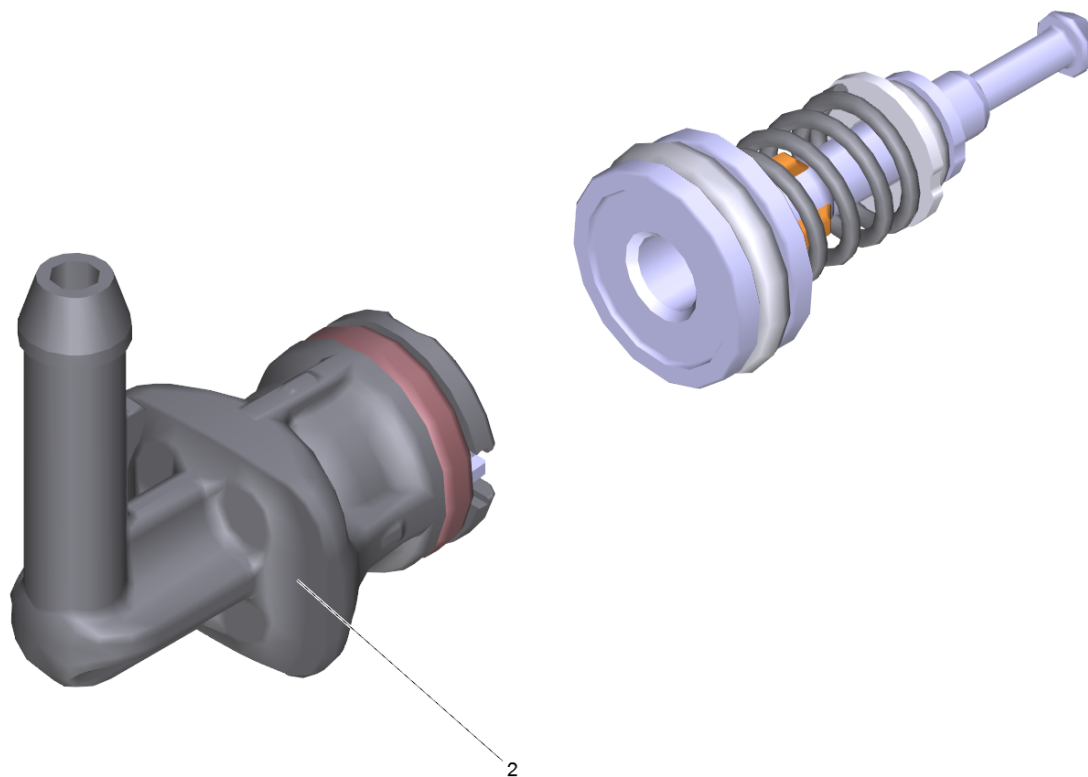
Cylinder head only for replacement (4.551-159.3)

POS	Article no.	Description	Quantity	Unit
40		Cylinder head RV K2.0X	1.000	ST
45	2.885-397.0	Spare parts set control piston with nipp	1.000	ST



40 Cylinder head RV K2.0X

POS	Article no.	Description	Quantity	Unit
18	6.362-113.0	O-Ring seal 6,0 x 2,0 NBR 70	1.000	ST
19	6.362-427.0	O-Ring seal 15,0x2,0	1.000	ST

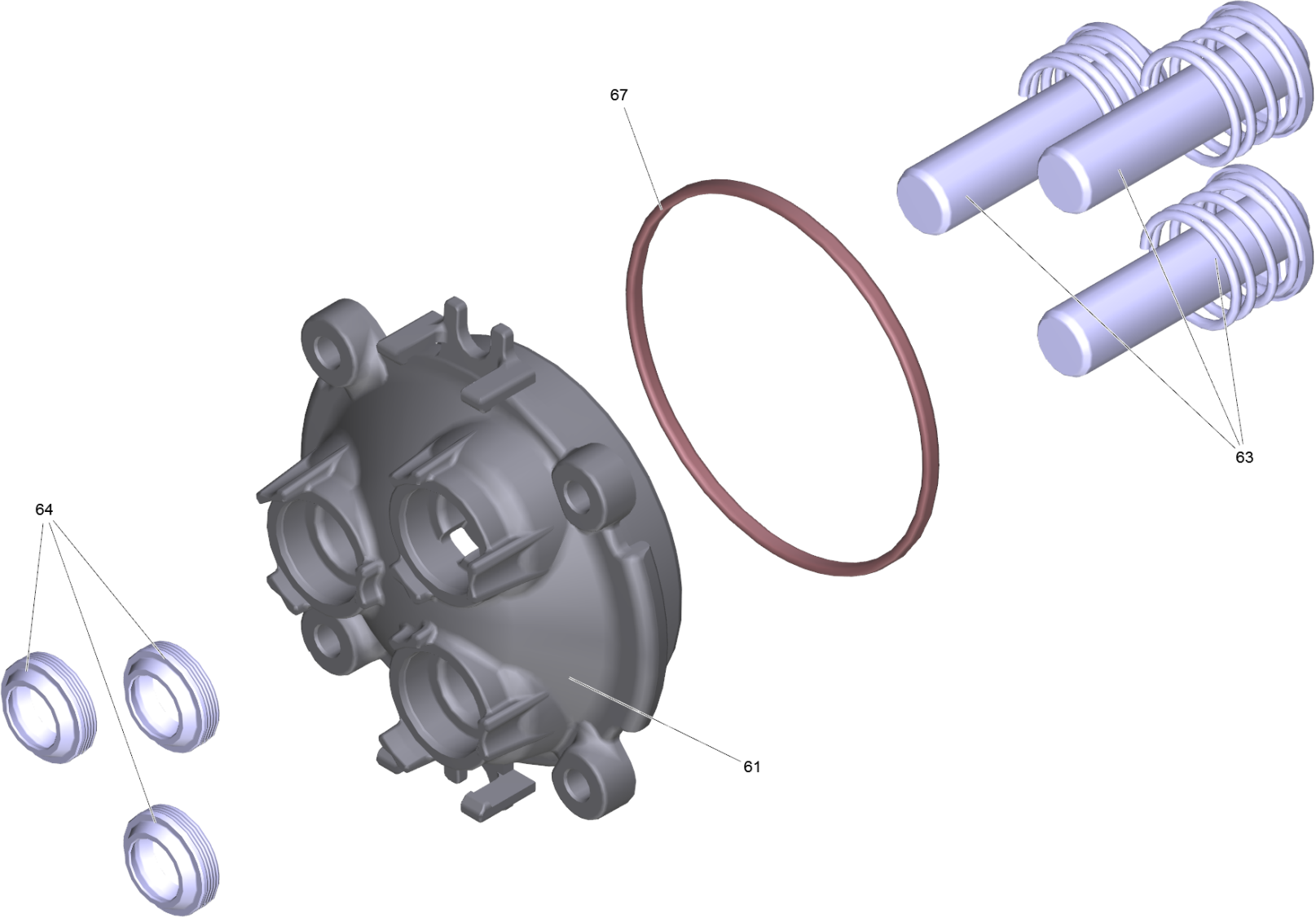


45 Spare parts set control piston with nipp (2.885-397.0)

POS	Article no.	Description	Quantity	Unit
2	2.885-396.0	Spare parts set nipple chemistry RV	1.000	ST

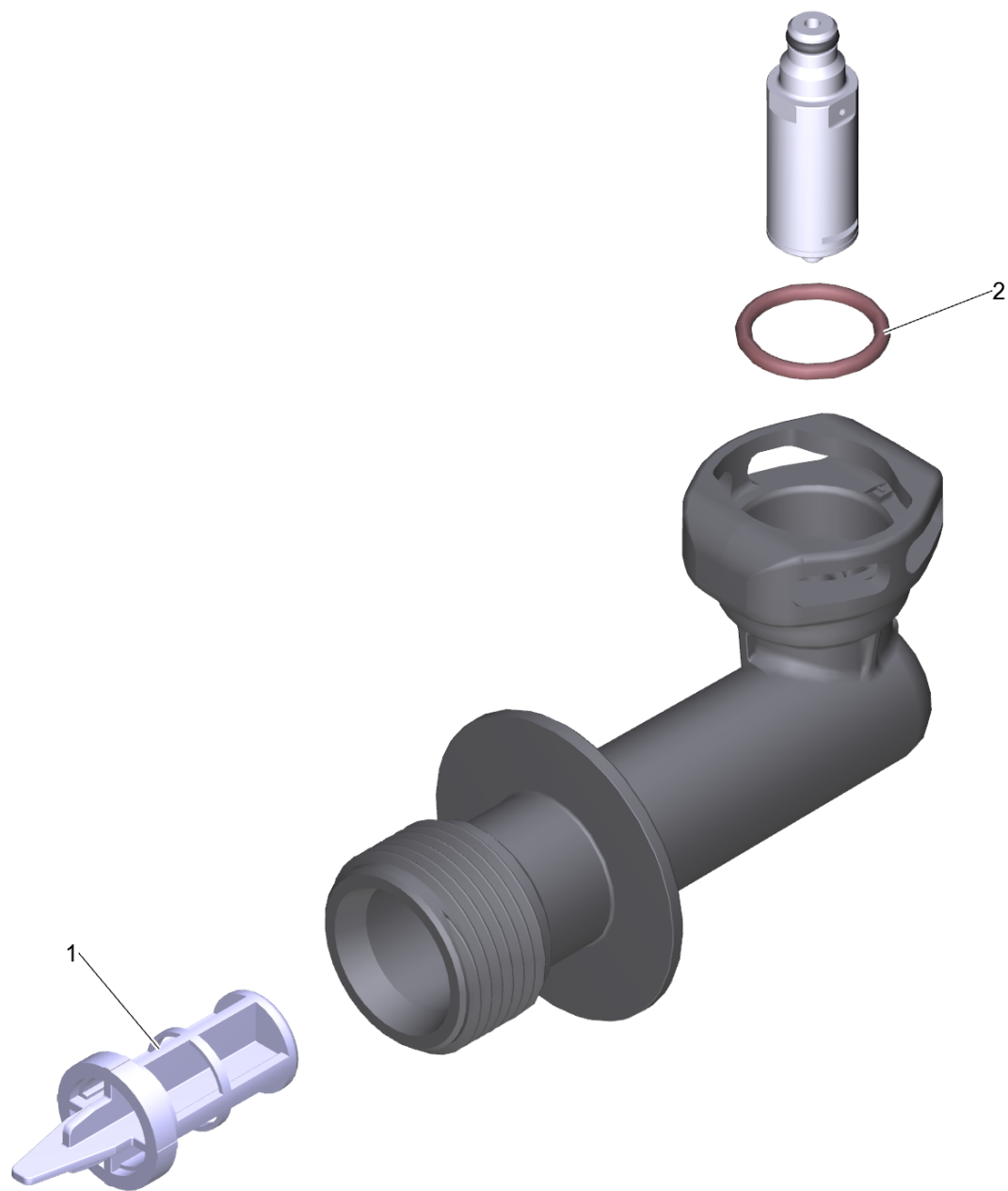
2 Spare parts set nipple chemistry RV (2.885-396.0)

POS	Article no.	Description	Quantity	Unit
2	6.288-088.0	Grease Molikote 55 M	1.000	ST



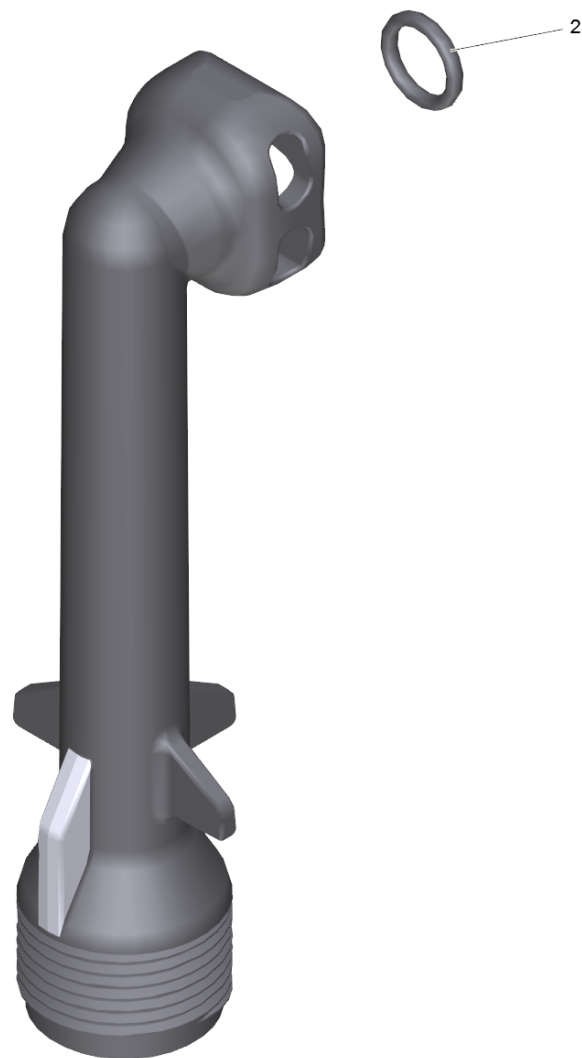
43 Thrust guidance complete quadruple

POS	Article no.	Description	Quantity	Unit
61	5.062-412.0	Thrust guidance V2 R V	1.000	ST
63	2.885-398.0	Spare parts set piston with spring RV	1.000	ST
64	6.365-581.0	Grooved ring 12x18x4/6 NBR 75 Shore A	3.000	ST
67	6.362-826.0	O-Ring seal 61,6x2,62	1.000	ST



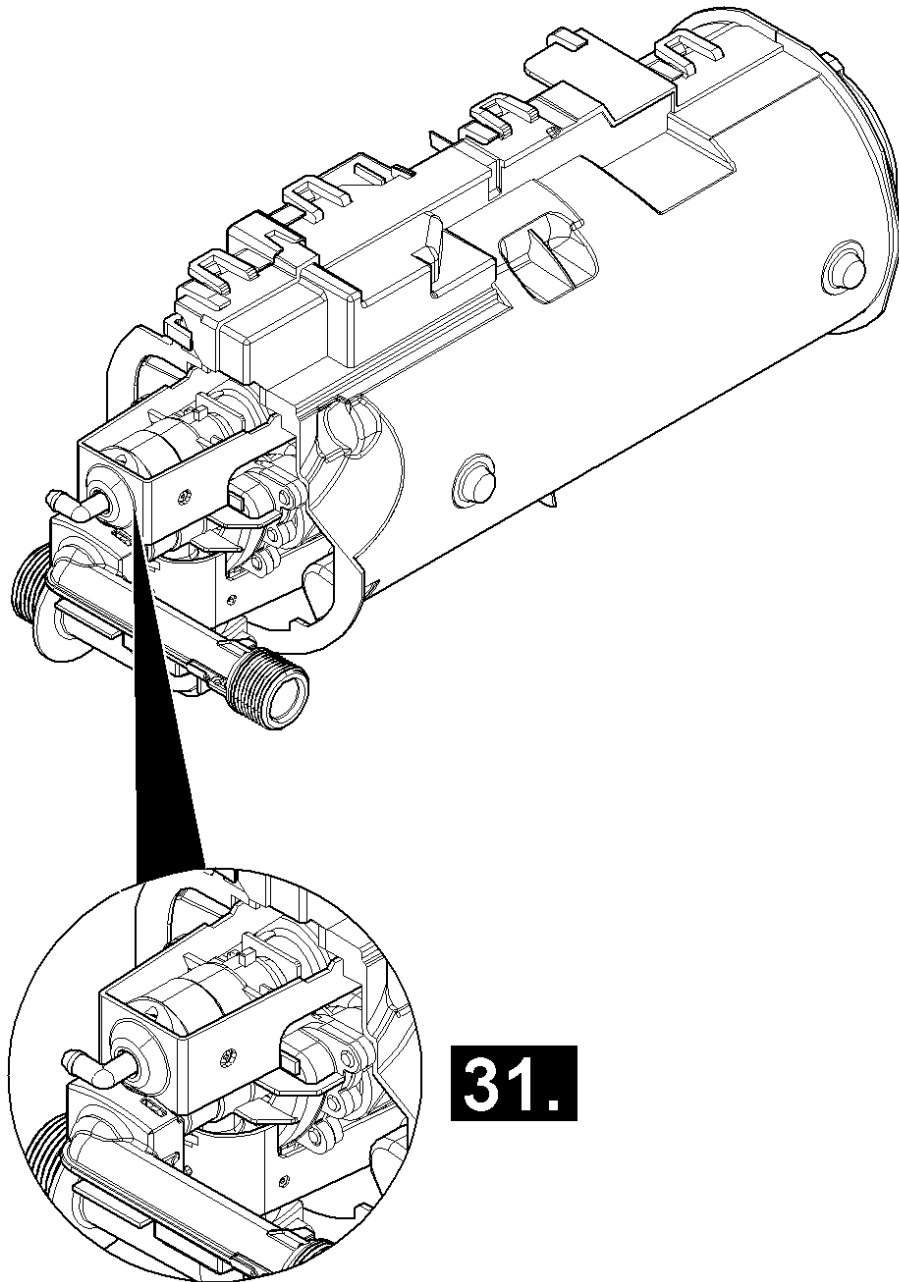
7 Suction cover for replacement with SV5 (4.063-913.0)

POS	Article no.	Description	Quantity	Unit
1	5.731-004.0	Fine filter short (2015/17)	1.000	ST
2	6.362-427.0	O-Ring seal 15,0x2,0	1.000	ST

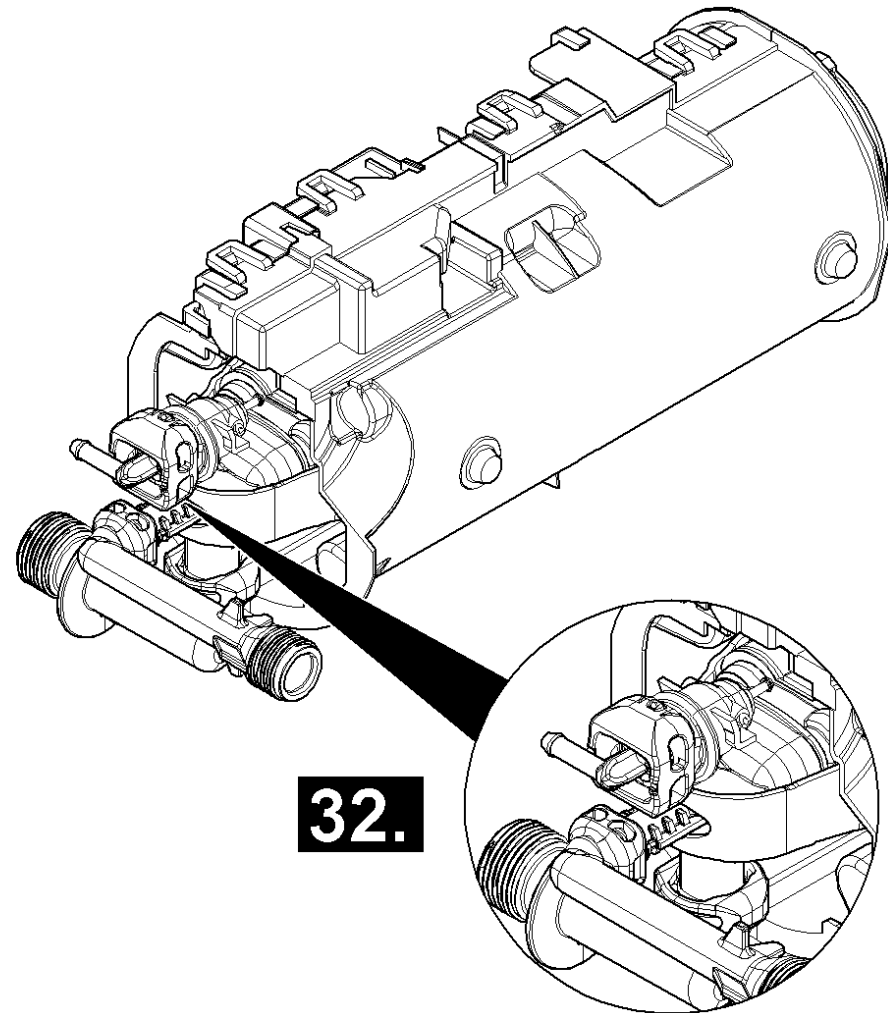


12 High-pressure outlet for replacement wit (4.063-914.0)

POS	Article no.	Description	Quantity	Unit
2	6.362-113.0	O-Ring seal 6,0 x 2,0 NBR 70	1.000	ST



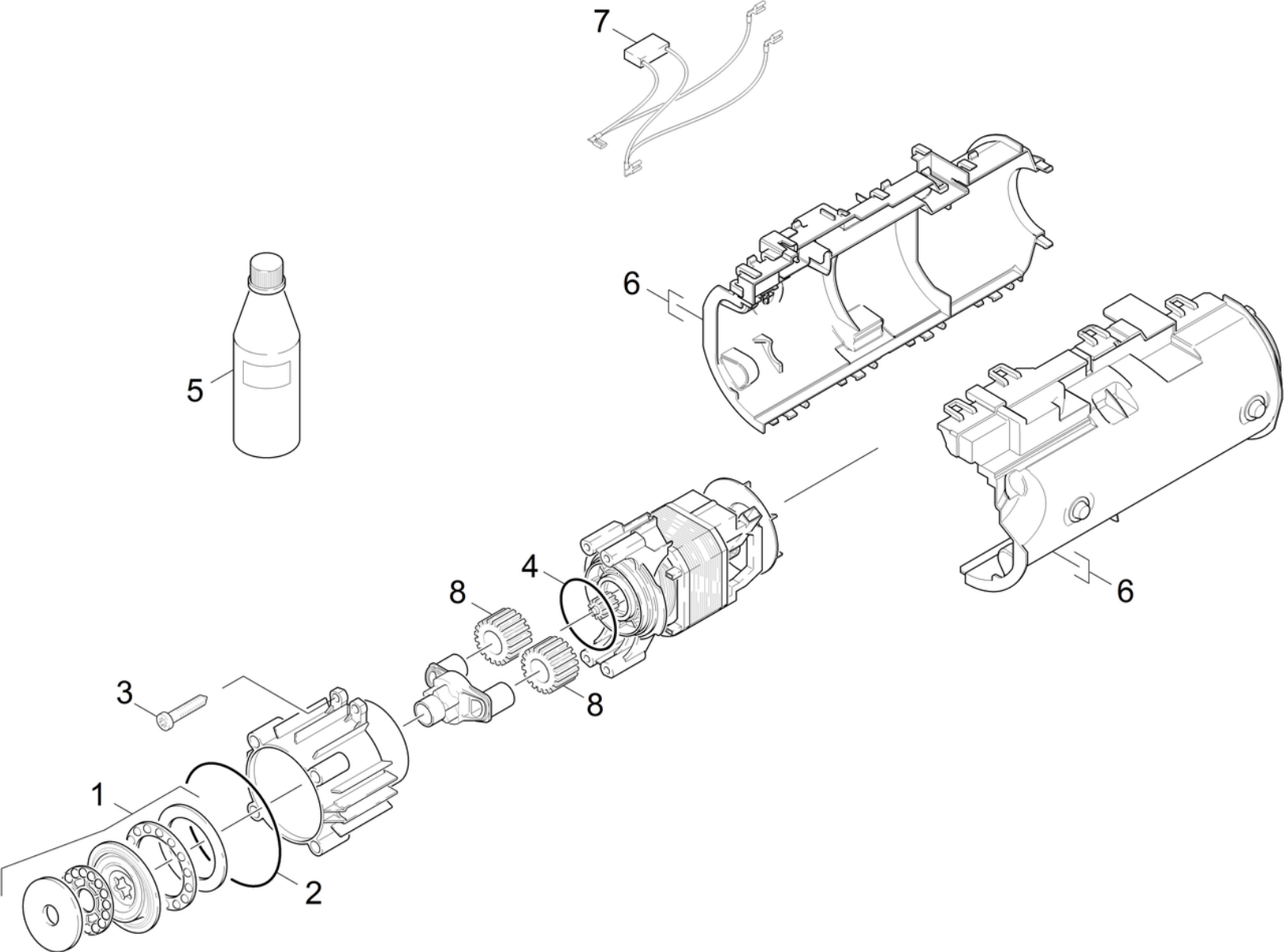
31.



32.

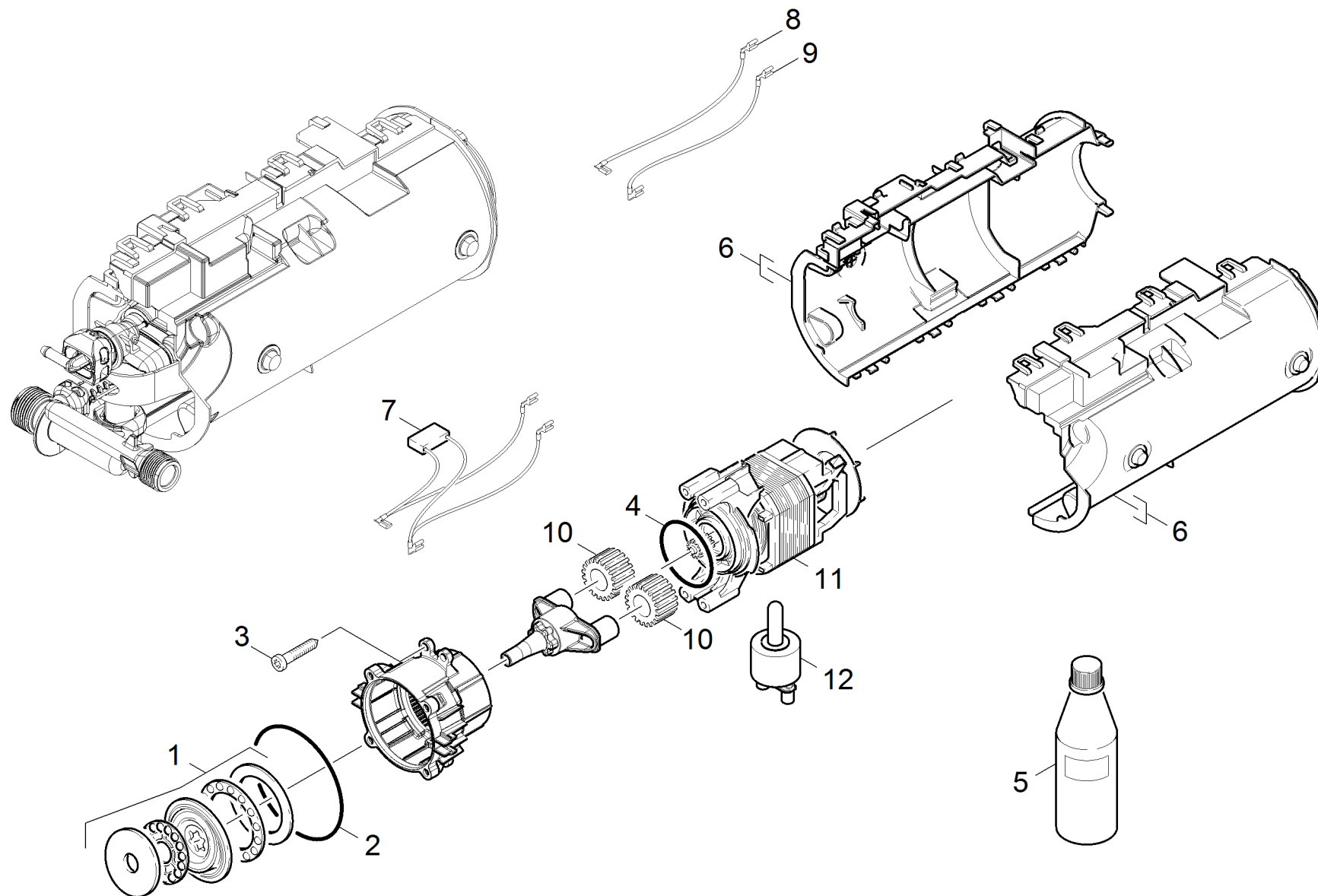
30 Motor

POS	Description	Quantity	Unit	Foot note text
31	Motor	1.000	ST	VERSION 1
32	Motor	1.000	ST	VERSION 2



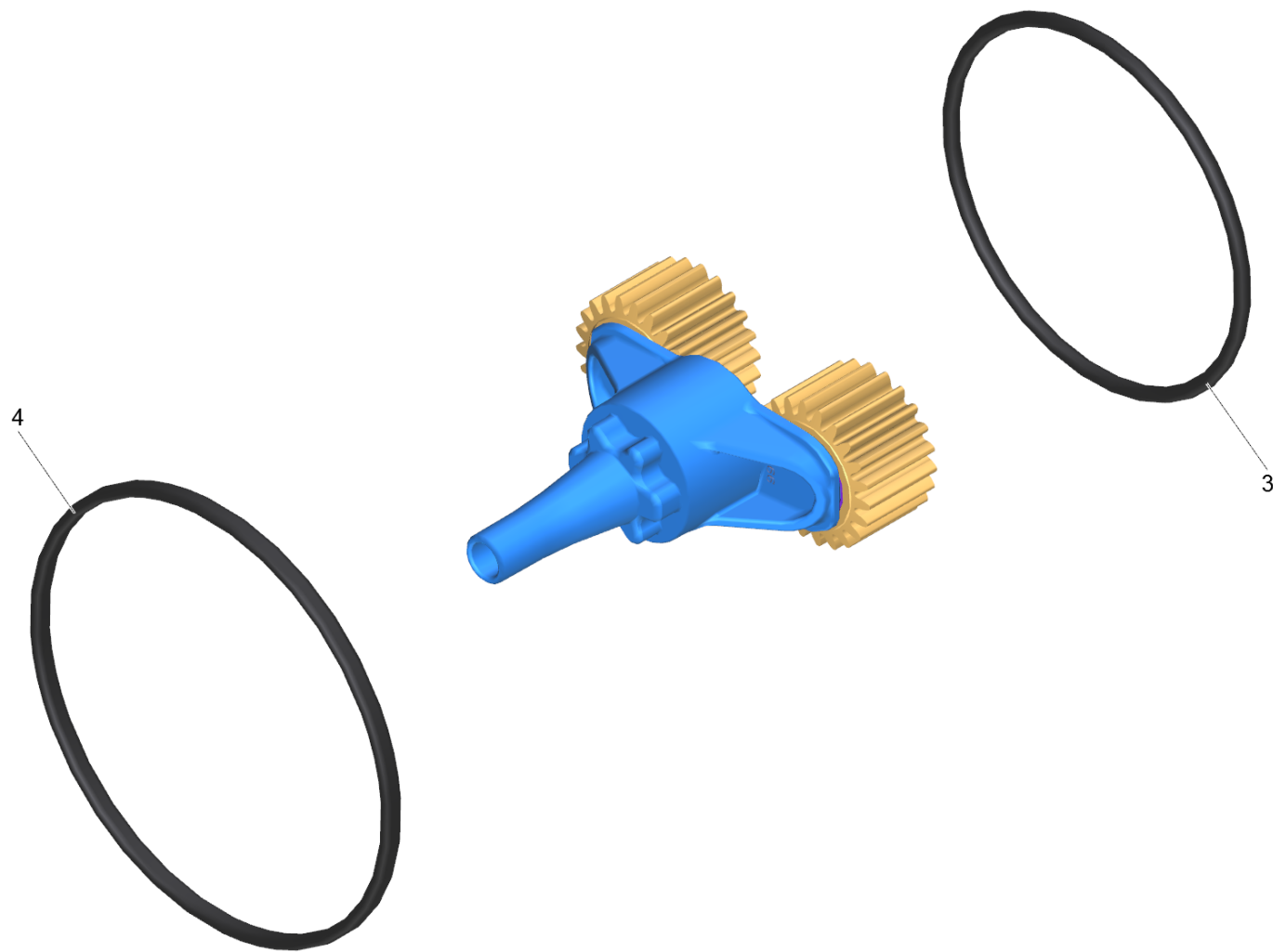
31 Motor

POS	Article no.	Description	Quantity	Unit
1	4.120-196.0	Wobble plate complete 5-parts 6°40'/4,32	1.000	ST
2	6.362-902.0	O-Ring 60x2,5 NBR 70	1.000	ST
3	6.303-260.0	Screw 5x26,4	4.000	ST
4	6.363-340.0	O-Ring 50 x 2,2 NBR 80	1.000	ST
5	6.288-112.0	Engine oil 10W-60, 1L	1.000	ST
6	4.067-049.0	Motor housing set replacement L+R (K2.90	1.000	ST
7	6.648-389.0	Cable with capacitor 220nF (225/280mm)	1.000	ST
8	5.352-093.0	Planet wheel N-cor (z22) - FEES	2.000	ST



32 Motor

POS	Article no.	Description	Quantity	Unit
1	4.120-228.0	Wobble plate complete 5-parts 6°12'4,02ex	1.000	ST
2	6.362-826.0	O-Ring seal 61,6x2,62	1.000	ST
3	6.303-260.0	Screw 5x26,4	4.000	ST
4	6.363-657.0	O-Ring seal 50x2.35 NBR 70	1.000	ST
5	6.288-112.0	Engine oil 10W-60, 1L	1.000	ST
6	4.067-071.0	Motor housing set replacement K2 RV	1.000	ST
7	6.648-389.0	Cable with capacitor 220nF (225/280mm)	1.000	ST
8	6.648-586.0	Cable motor brown AWG18x270mm	1.000	ST
9	6.648-587.0	Cable motor red AWG18x225mm	1.000	ST
10	4.100-662.0	Spare part set planet wheel	2.000	ST
11	4.100-622.0	Motor only for replacement	1.000	ST
	Item text1: all other 1.673-xxx.0			
11	4.100-623.0	Motor only for replacement	1.000	ST
	Item text1: 1.673-270.0			
12	2.100-023.0	Special tool motor K2	1.000	ST
	Item text1: Pay attention to Assembly instruction!			
	Item text2: Montageanleitung beachten!			

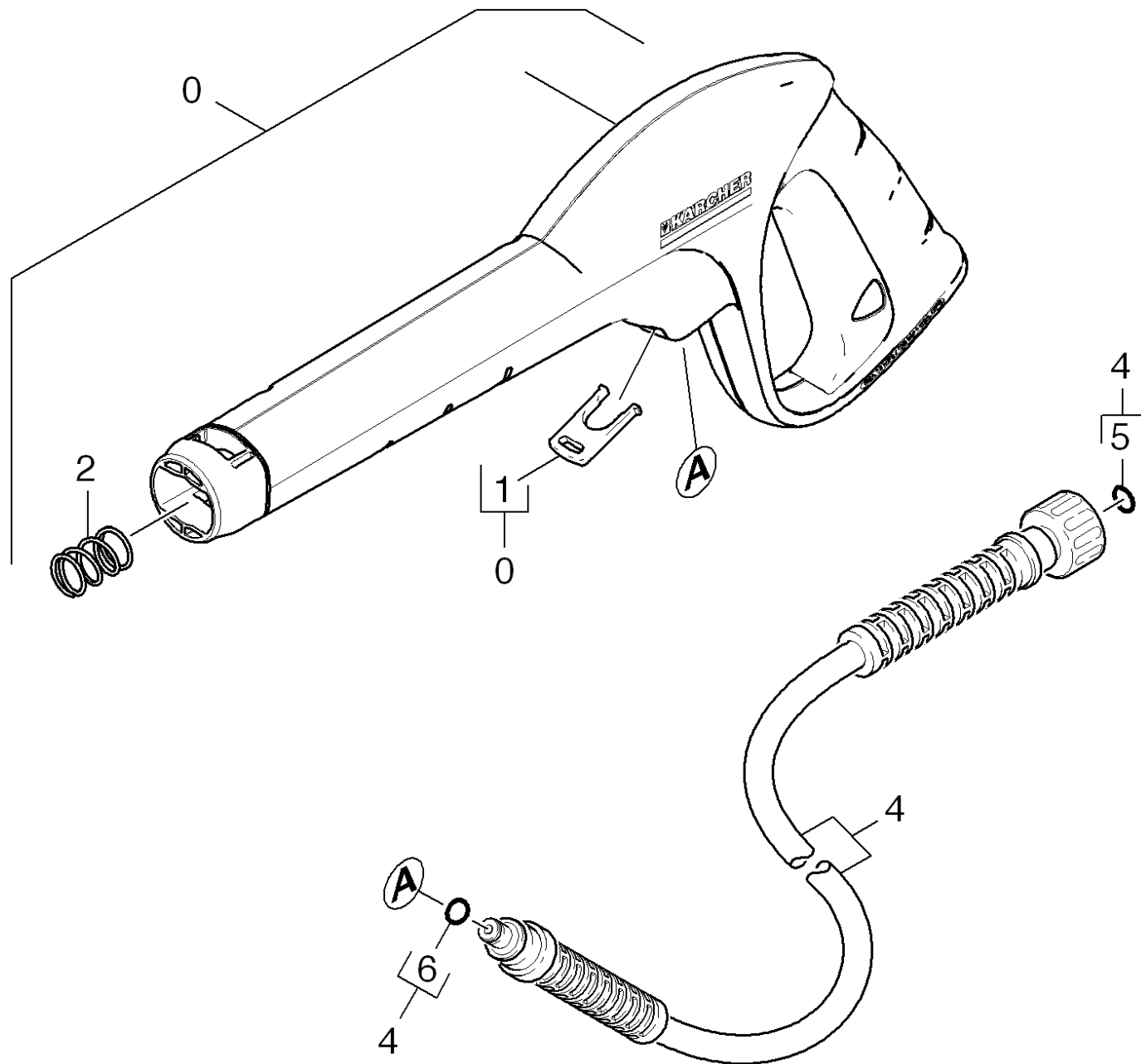


10 Spare part set planet wheel (4.100-662.0)

POS	Article no.	Description	Quantity	Unit
3	6.363-657.0	O-Ring seal 50x2.35 NBR 70	1.000	ST
4	6.362-826.0	O-Ring seal 61,6x2,62	1.000	ST

40 Accessories

POS	Description	Quantity	Unit	Remark	Foot note text
41	Hand trigger gun	1.000	ST		VERSION 1
42	Hand trigger gun	1.000	ST		VERSION 2
43	Vario-Power Jet pipe K2	1.000	ST	RATIO IV	
44	Vario-Power Jet pipe K2	1.000	ST	RATIO V	
45	Dirt blaster	1.000	ST		
46	Washing brush	1.000	ST		
47	Foam lance	1.000	ST		
48	Surface cleaner T 50	1.000	ST	T 50	
49	Surface cleaner	1.000	ST	T 150	



41 Hand trigger gun

POS	Article no.	Description	Quantity	Unit
0	2.641-959.0	G 160 pistol	1.000	ST
1	5.037-185.0	Clamp	1.000	ST
2	5.332-464.0	Pressure spring	1.000	ST
4	2.643-912.0	HK 4 high pressure hose set+pistol *DE	1.000	ST
5	2.880-990.0	Spare part set O-Ring 5x -Kaercher	1.000	ST
6	6.362-498.0	O-Ring seal 6,75x1,78 NBR 70	1.000	ST



4 HK 4 high pressure hose set+pistol *DE (2.643-912.0)

POS	Article no.	Description	Quantity	Unit
1	2.642-889.0	G 180 Q Trigger gun Quick Connect	1.000	ST
2	6.396-713.0	High pressure hose 13,5MPa/4 40°C QCS B	1.000	ST
3	4.470-041.0	High pressure quick-fitting pipe union A	1.000	ST

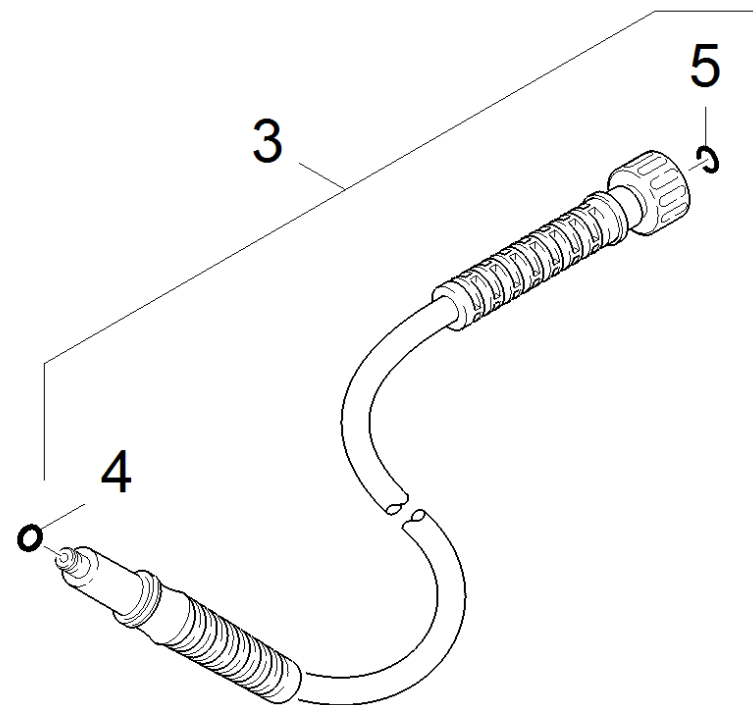
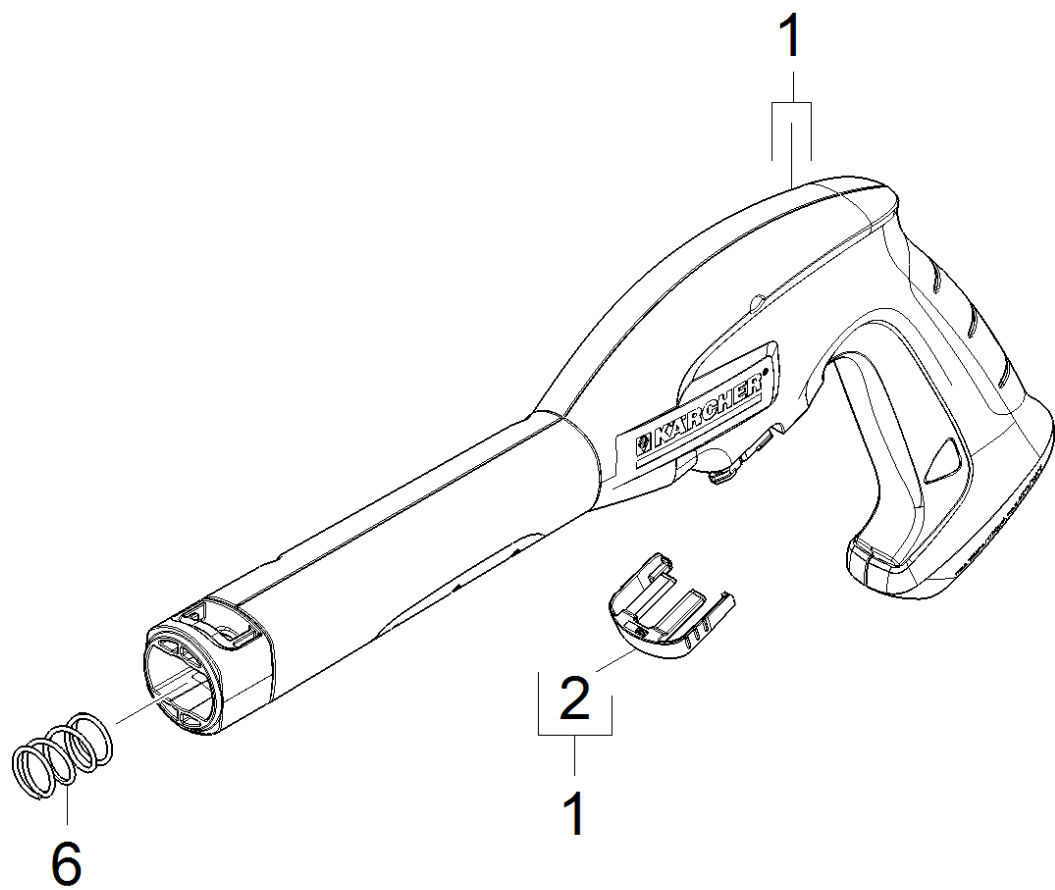


1 G 180 Q Trigger gun Quick Connect (2.642-889.0)

POS	Article no.	Description	Quantity	Unit
1	5.332-464.0	Pressure spring	1.000	ST

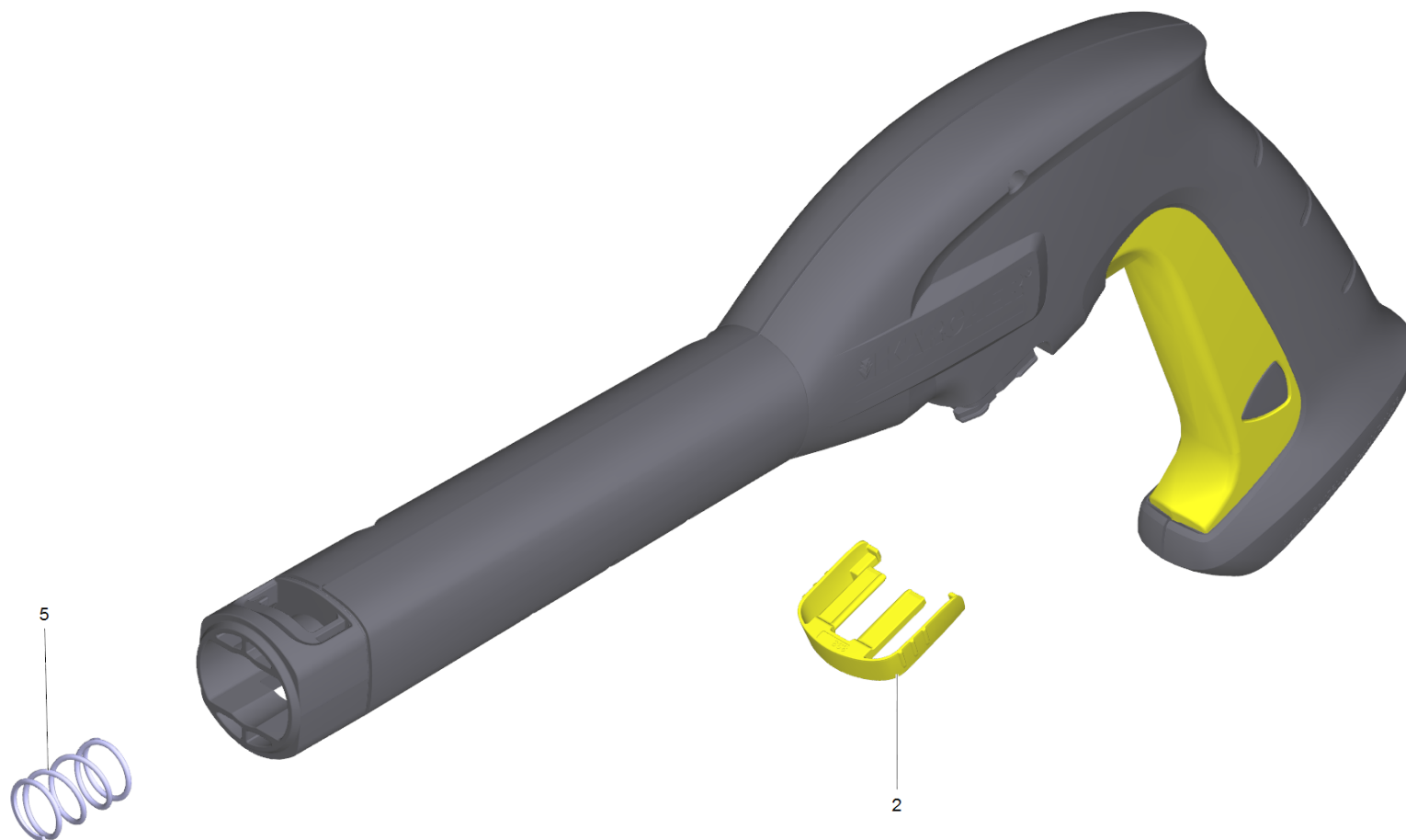
2 High pressure hose 13,5MPa/4 40°C QCS B (6.396-713.0)

POS	Article no.	Description	Quantity	Unit
9500	2.640-729.0	O-Ring seal set	1.000	ST



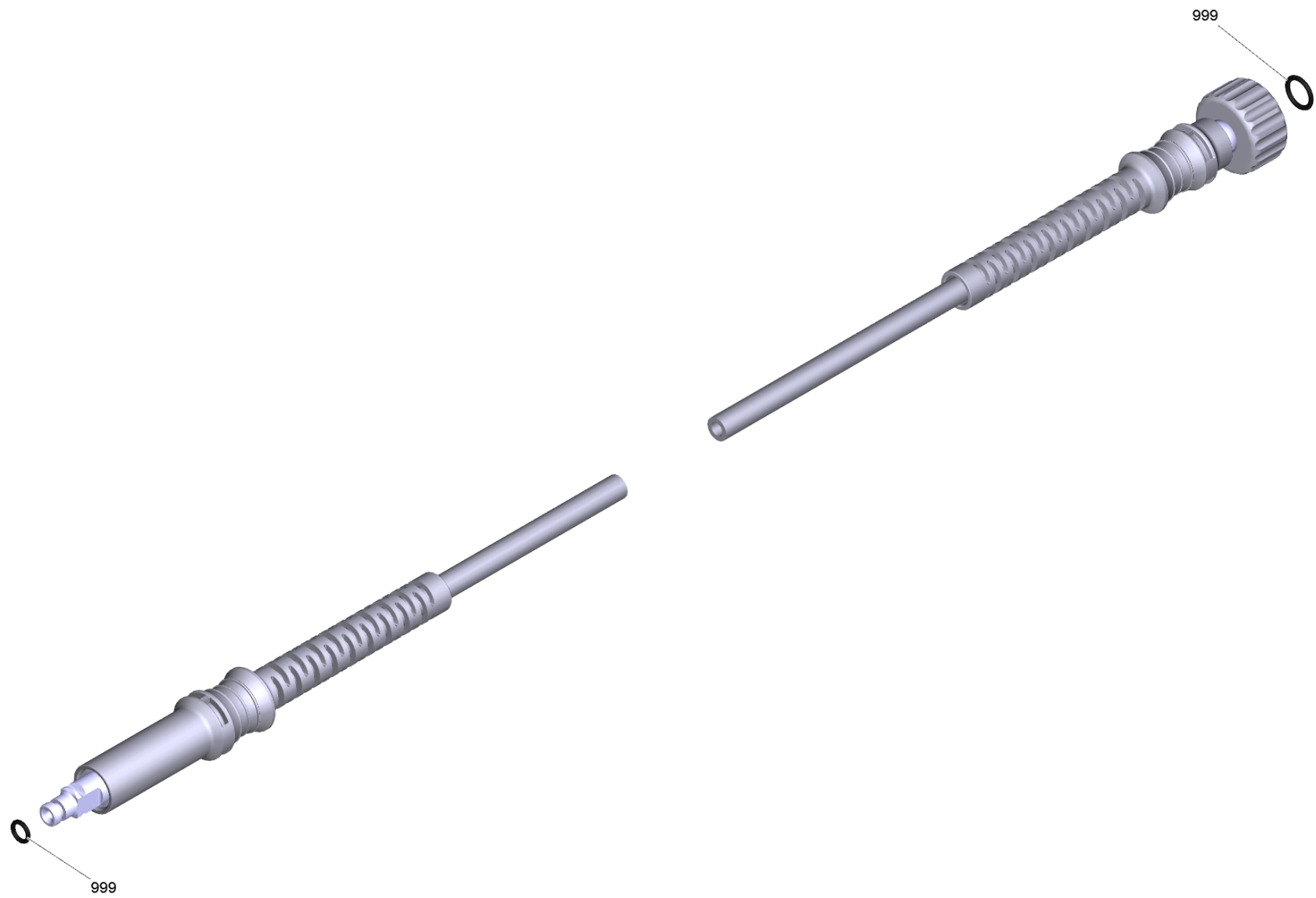
42 Hand trigger gun

POS	Article no.	Description	Quantity	Unit
1	4.775-830.0	G 120 Q	1.000	ST
2	5.037-333.0	Clamp pistol Entry	1.000	ST
3	6.396-525.0	High pressure hose 12MPa/4 40°C NQCS B	1.000	ST
	Item text1: 1.601-506.0/-520.0/-521.0			
3	6.396-228.0	High pressure hose 12MPa/10 40°C NQC B	1.000	ST
4	6.363-410.0	O-Ring seal 5,7x1,78 NBR 90Shore	1.000	ST
5	2.880-990.0	Spare part set O-Ring 5x -Kaercher	1.000	ST
6	5.332-464.0	Pressure spring	1.000	ST



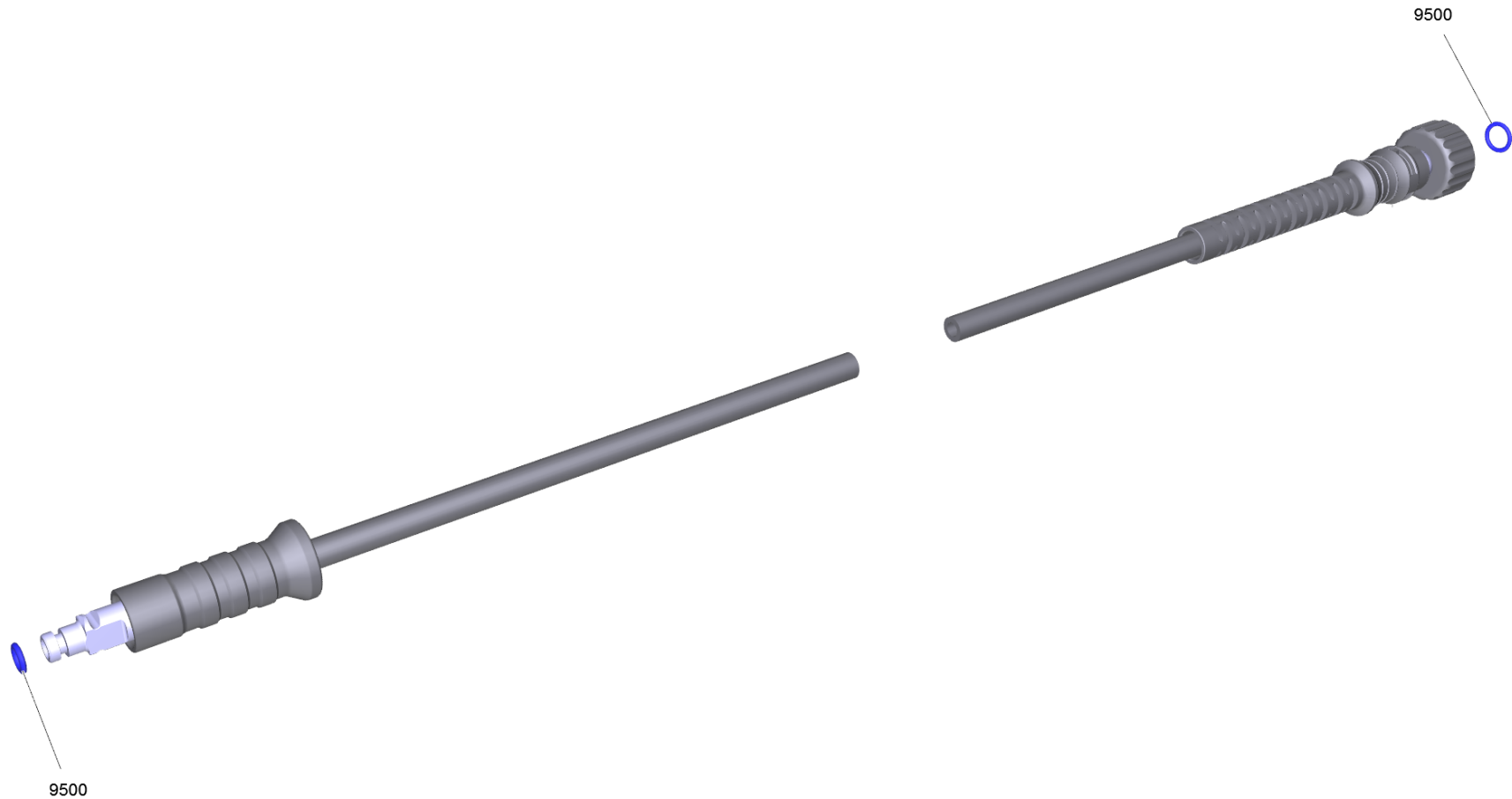
1 G 120 Q (4.775-830.0)

POS	Article no.	Description	Quantity	Unit
2	5.037-333.0	Clamp pistol Entry	1.000	ST
5	5.332-464.0	Pressure spring	1.000	ST



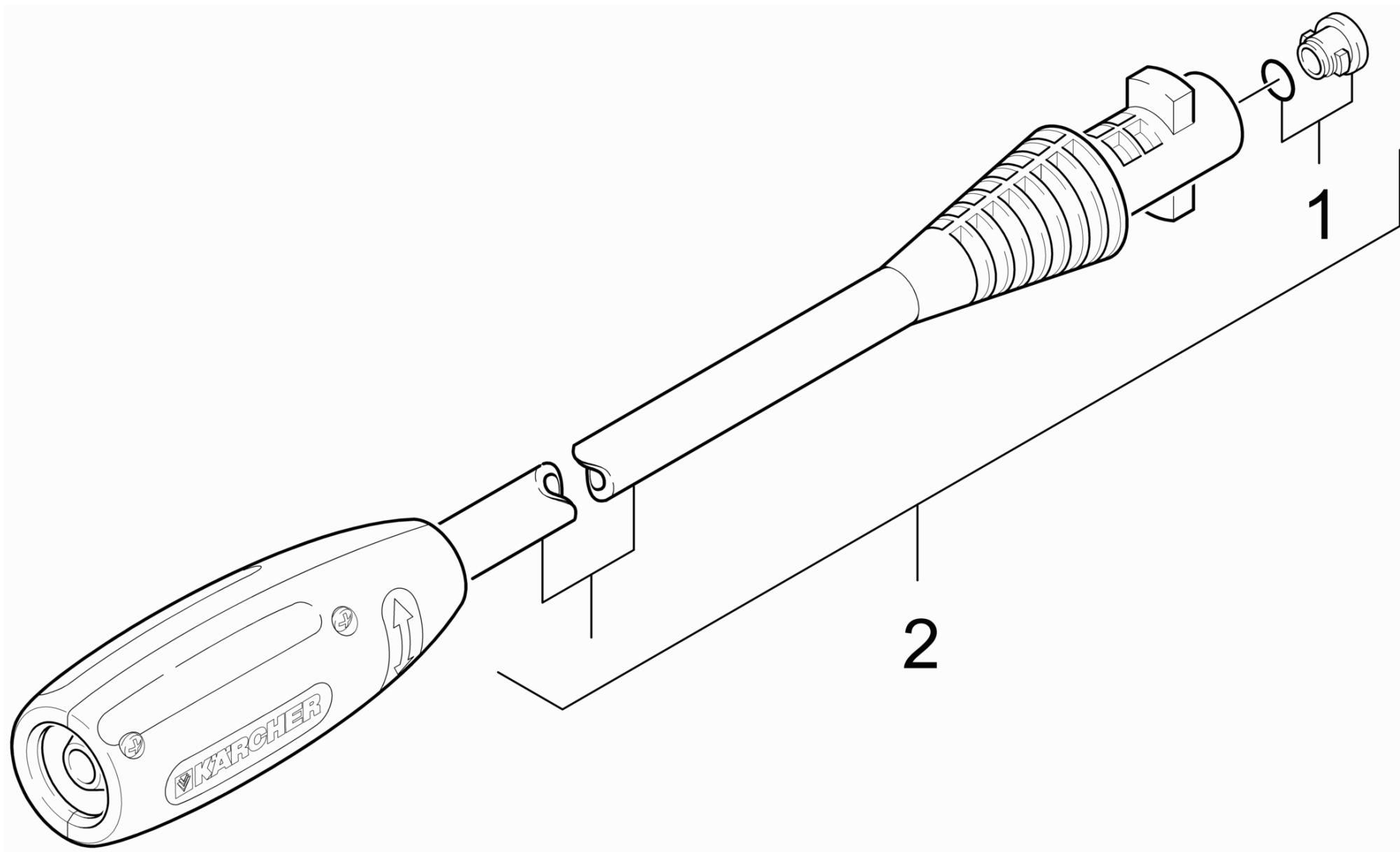
3 High pressure hose 12MPa/10 40°C NQC B (6.396-228.0)

POS	Article no.	Description	Quantity	Unit
999	2.640-729.0	O-Ring seal set	1.000	ST



3 High pressure hose 12MPa/4 40°C NQCS B (6.396-525.0)

POS	Article no.	Description	Quantity	Unit
9500	2.640-729.0	O-Ring seal set	1.000	ST



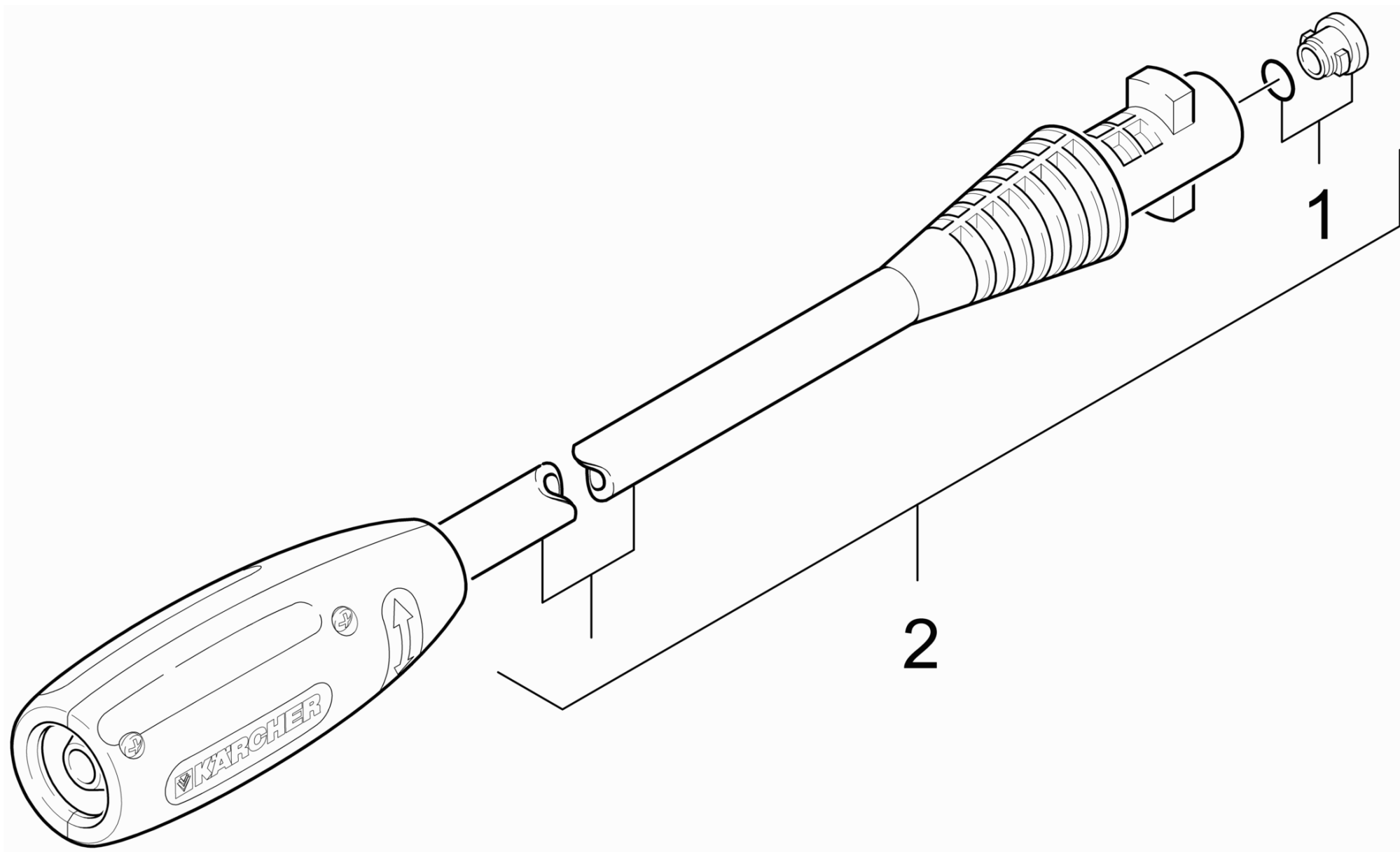
43 Vario-Power Jet pipe K2

POS	Article no.	Description	Quantity	Unit
1	2.640-729.0	O-Ring seal set	1.000	ST
2	4.760-723.0	VPS K2 0287	1.000	ST



2 VPS K2 0287 (4.760-723.0)

POS	Article no.	Description	Quantity	Unit
1	2.640-729.0	O-Ring seal set	1.000	ST

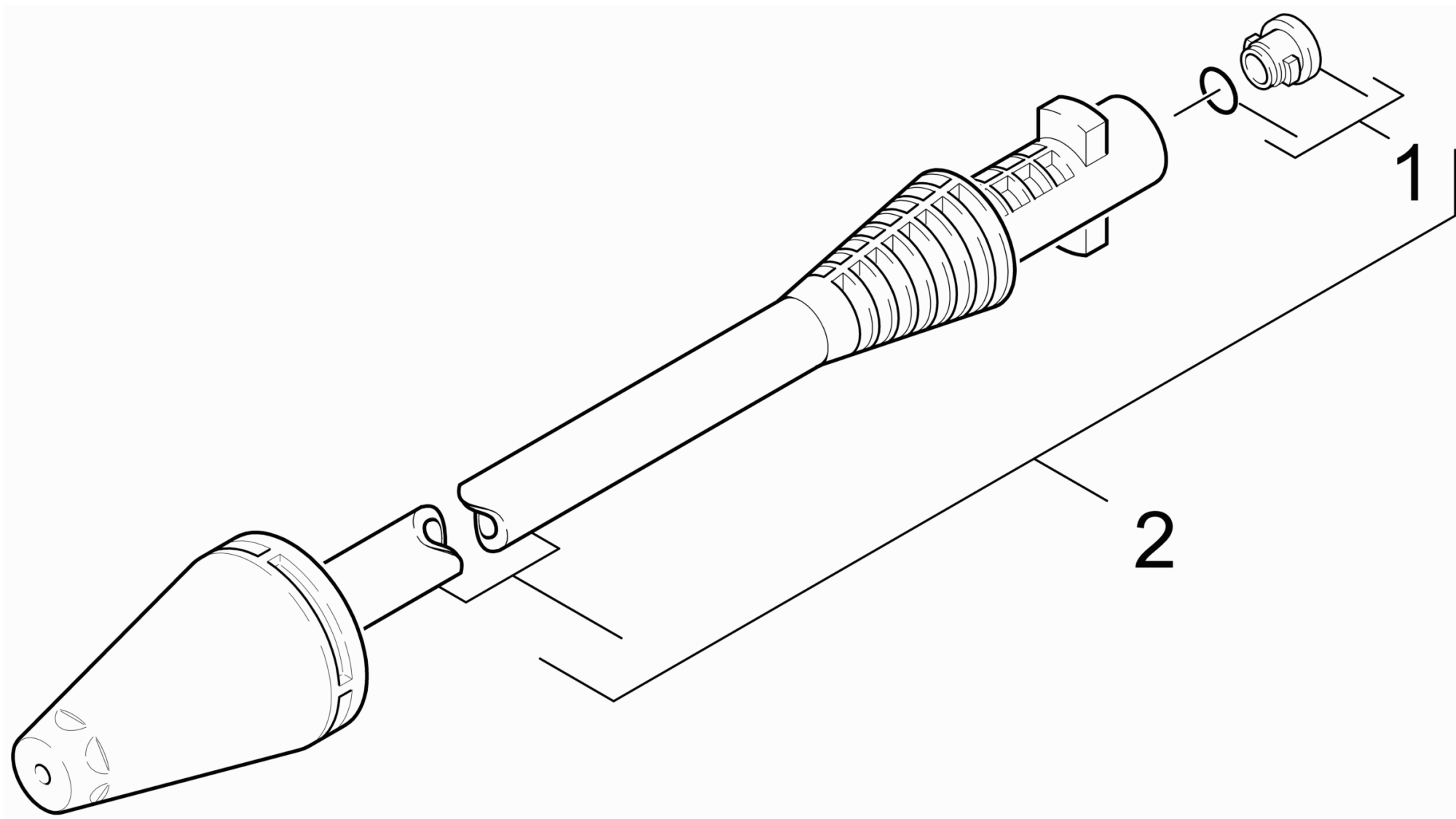


44 Vario-Power Jet pipe K2

POS	Article no.	Description	Quantity	Unit
1	2.640-729.0	O-Ring seal set	1.000	ST
2	4.760-535.0	VPS K2 025	1.000	ST



POS	Article no.	Description	Quantity	Unit
1	2.640-729.0	O-Ring seal set	1.000	ST



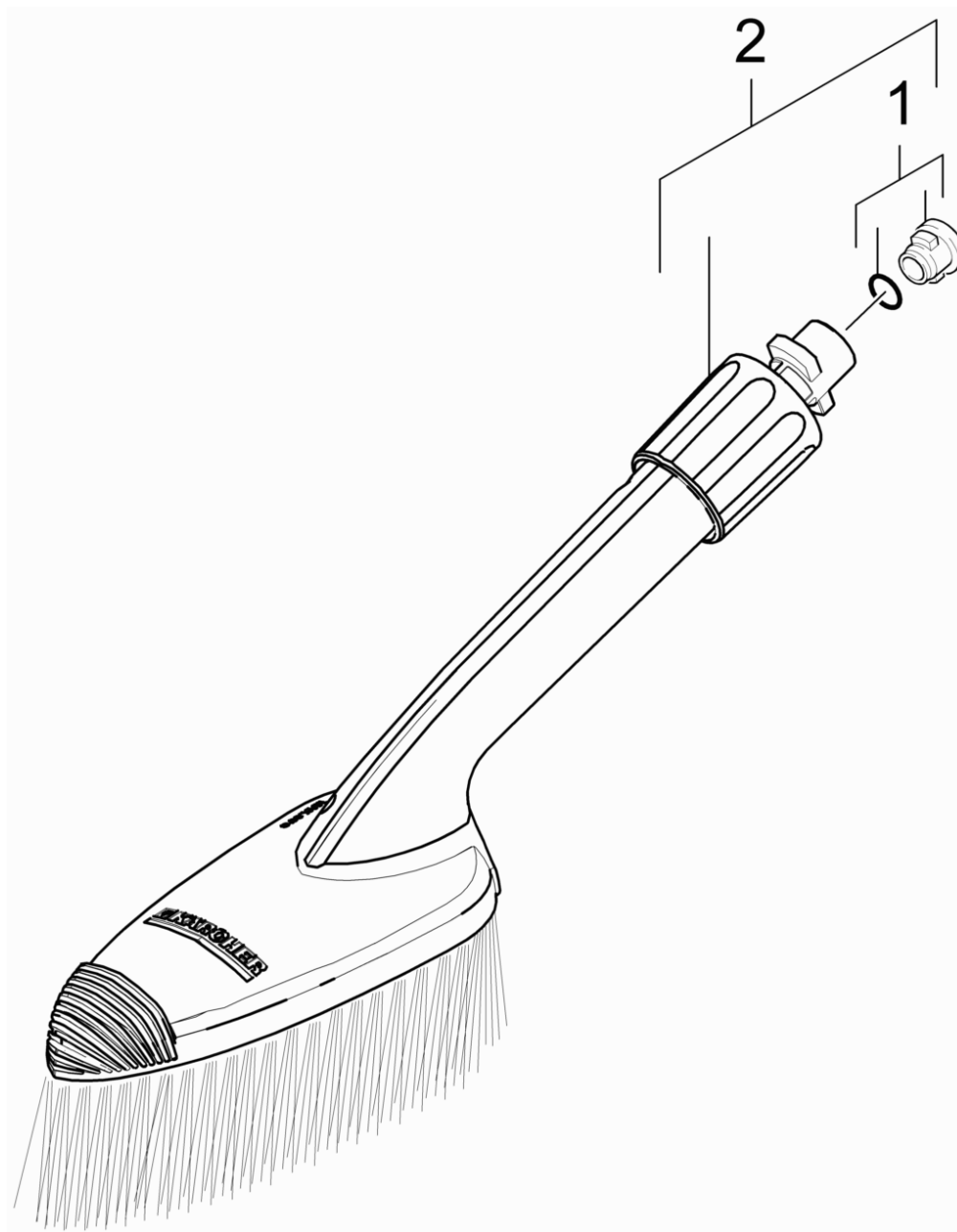
45 Dirt blaster

POS	Article no.	Description	Quantity	Unit
1	2.640-729.0	O-Ring seal set	1.000	ST
2	4.764-243.0	Dirt blaster K2 027 St	1.000	ST



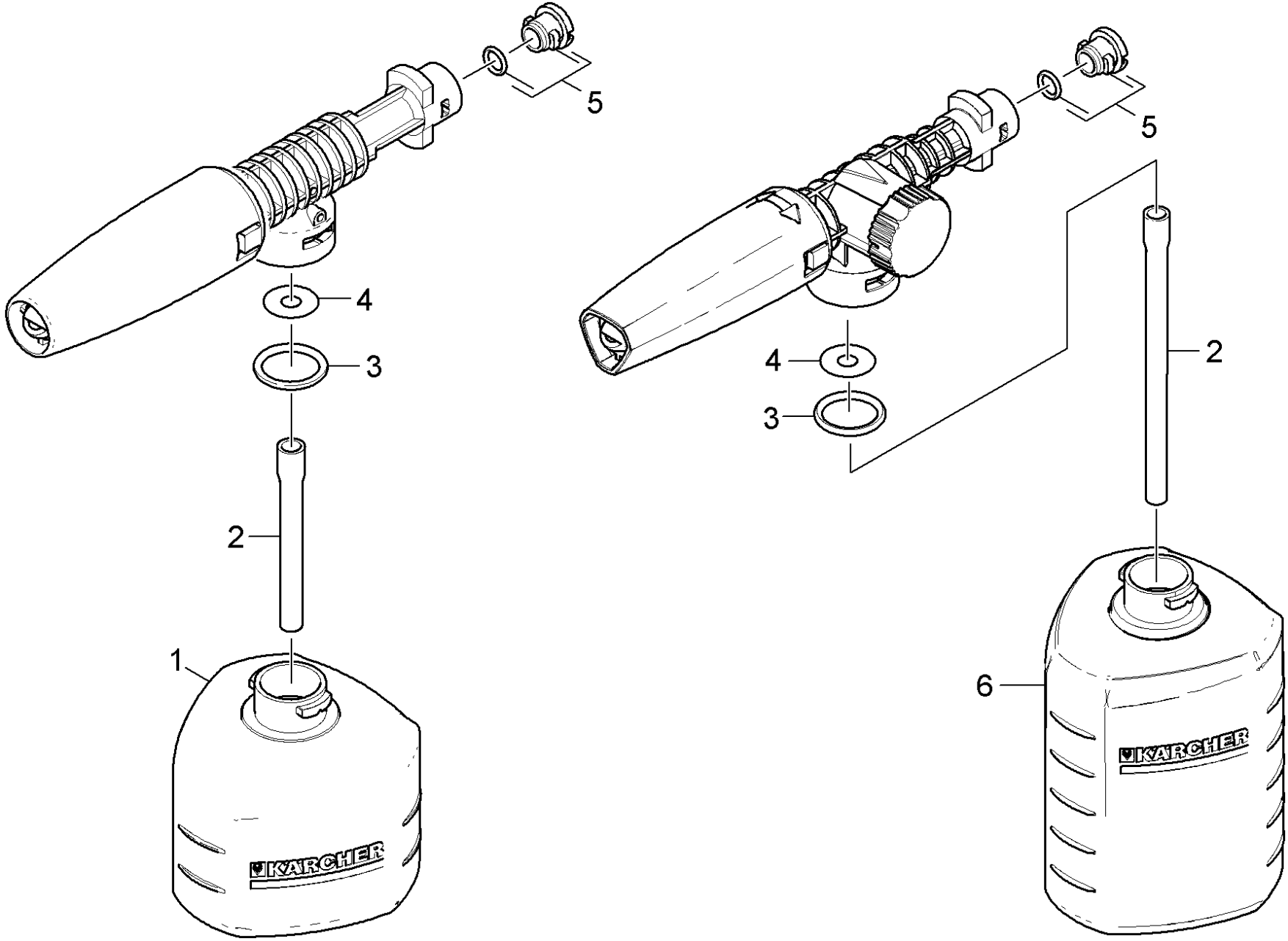
2 Dirt blaster K2 027 St (4.764-243.0)

POS	Article no.	Description	Quantity	Unit
1	2.640-729.0	O-Ring seal set	1.000	ST



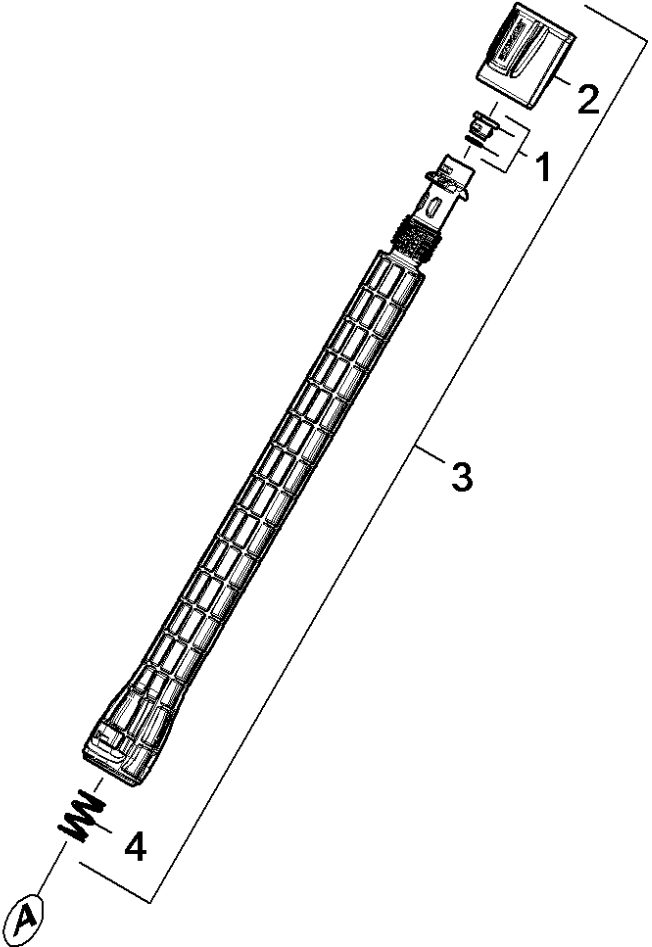
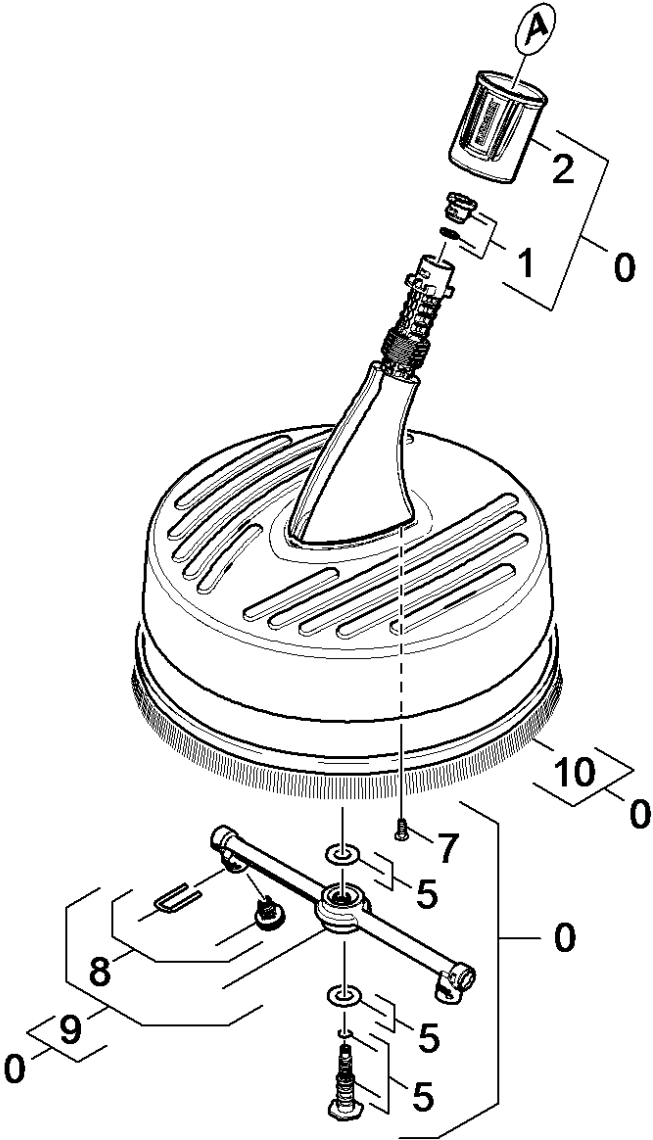
46 Washing brush

POS	Article no.	Description	Quantity	Unit
1	2.640-729.0	O-Ring seal set	1.000	ST
2	2.640-589.0	Brush lengthwise	1.000	ST



47 Foam lance

POS	Article no.	Description	Quantity	Unit	Foot note text
1	5.071-203.0	Tank cleaning agents 0,3 l	1.000	ST	
2	6.388-216.0	Hose DN 5	1.000	M	TO ORDER AS CUT GOODS
3	6.362-874.0	O-Ring seal 21x3 - NBR 70	2.000	ST	
4	5.367-026.0	Diaphragm	1.000	ST	
5	2.640-729.0	O-Ring seal set	2.000	ST	
6	5.071-202.0	Tank cleaning agents 0,6 l	1.000	ST	



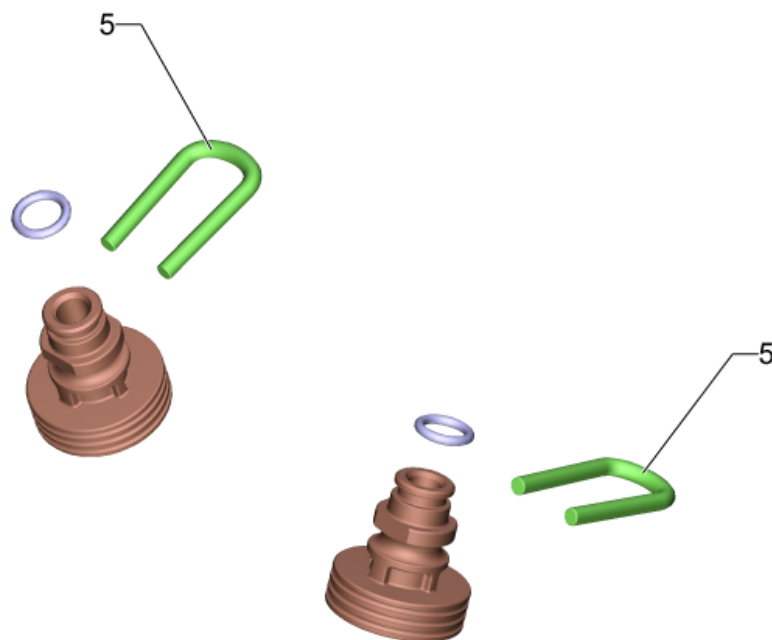
48 Surface cleaner T 50




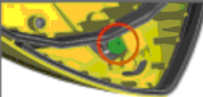




POS	Article no.	Description	Quantity	Unit
0	2.641-746.0	T 50 Gerätebeilage	1.000	ST
1	2.640-729.0	O-Ring seal set	2.000	ST
2	5.310-160.0	Nut Kaercher	2.000	ST
3	2.643-240.0	Single-step jet pipe extension	1.000	ST
4	5.332-464.0	Pressure spring	1.000	ST
5	2.883-994.0	Spare part set set of gaskets neutrally	1.000	ST
7	7.303-106.0	Screw 4x12 -10.9-R2R (IN6RD)	3.000	ST
8	2.643-338.0	Spare parts nozzles T-Racer	1.000	ST
9	2.884-530.0	Spare part set rotor T 50	1.000	ST
10	6.369-978.0	Strip brush complete	1.000	ST









3 Single-step jet pipe extension (2.643-240.0)

POS	Article no.	Description	Quantity	Unit
3	2.640-729.0	O-Ring seal set	1.000	ST
8	5.332-464.0	Pressure spring	1.000	ST
10	5.310-160.0	Nut Kaercher	1.000	ST



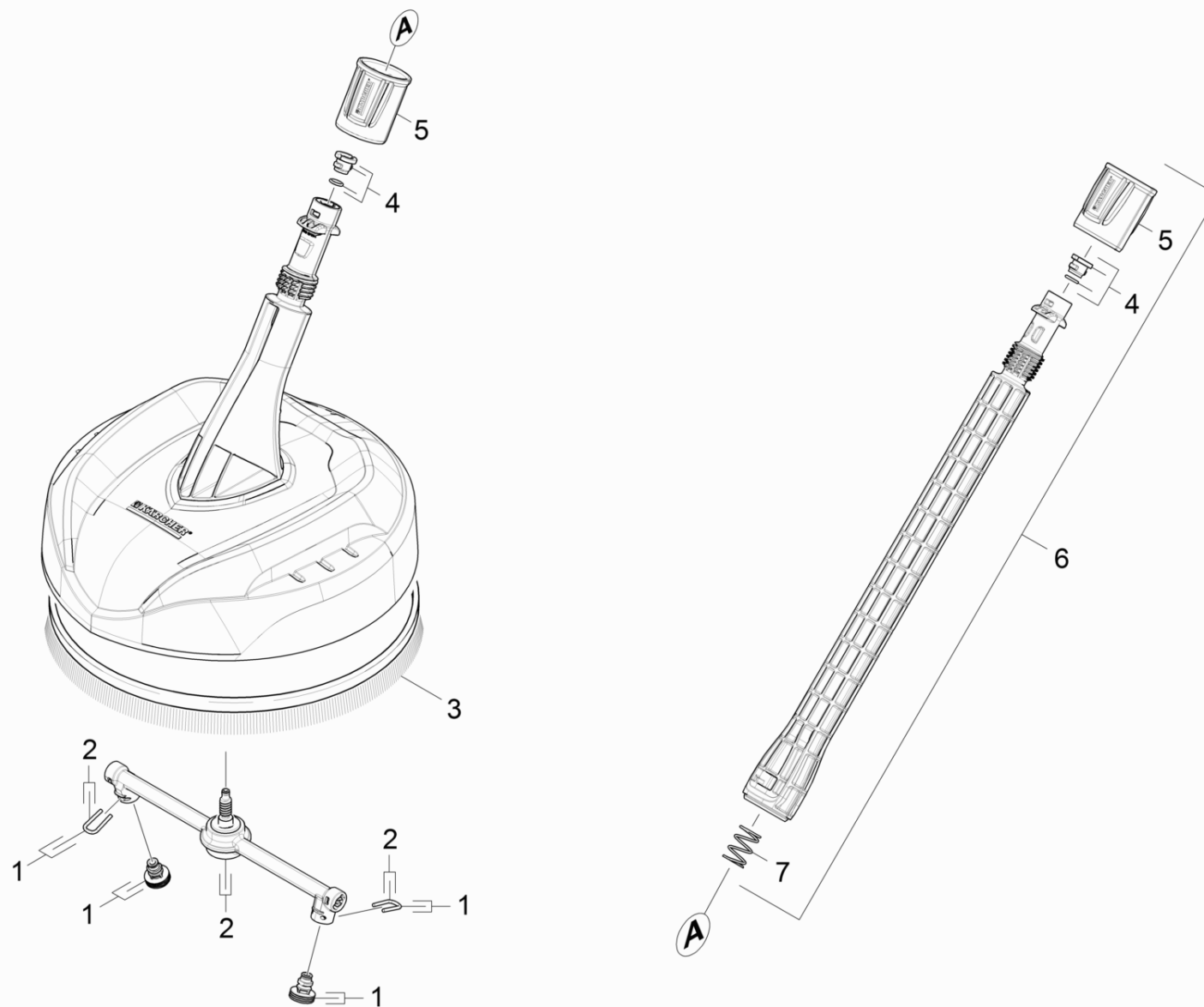
T 50, T 70, T 80, T 100 T 150, T 200, T 250, T 300, T 400, T 450, T 550	K 2 - K 5		
	K 6 - K 7		
T 400, T 450 T 550			
T 200, T 250	K 6 - K 7		
T 350 Gas			

	K 3 - K 5	
	K 6 - K 7	

	K 2	
	K 3 - K 5	

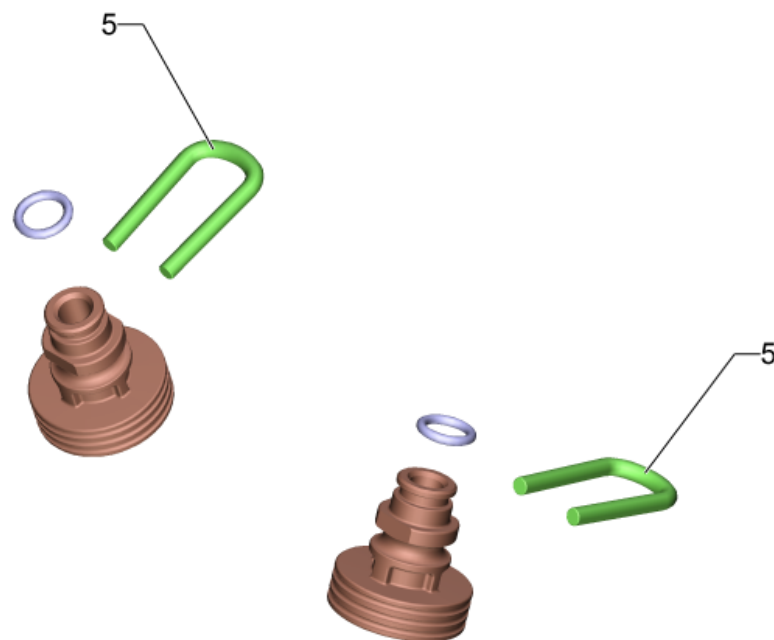
8 Spare parts nozzles T-Racer (2.643-338.0)

POS	Article no.	Description	Quantity	Unit	Remark	Foot note text
1	4.764-155.0	Nozzle complete 15015	1.000	ST	<13 MPa (<130 bar)	GREY
	Item text1: 015					
2	4.764-156.0	Nozzle complete 15020	1.000	ST	13 MPa (130 bar) - 16 MPa (160 bar)	YELLOW
	Item text1: 020					
3		Nozzle complete 15027	1.000	ST		BLACK
	Item text1: 027					
4	4.764-190.0	Nozzle kpl. 75047	1.000	ST		GREEN
	Item text1: 047					
5	5.037-151.0	Clamp	2.000	ST		




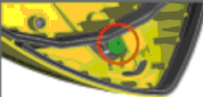









49 Surface cleaner




POS	Article no.	Description	Quantity	Unit
1	2.643-338.0	Spare parts nozzles T-Racer	1.000	ST
2	2.883-000.0	Spare part set rotor complete	1.000	ST
3	6.369-978.0	Strip brush complete	1.000	ST
4	2.640-729.0	O-Ring seal set	2.000	ST
5	5.310-160.0	Nut Kaercher	2.000	ST
6	2.643-240.0	Single-step jet pipe extension	1.000	ST
7	5.332-434.0	Helical spring	1.000	ST



1 Spare parts nozzles T-Racer (2.643-338.0)

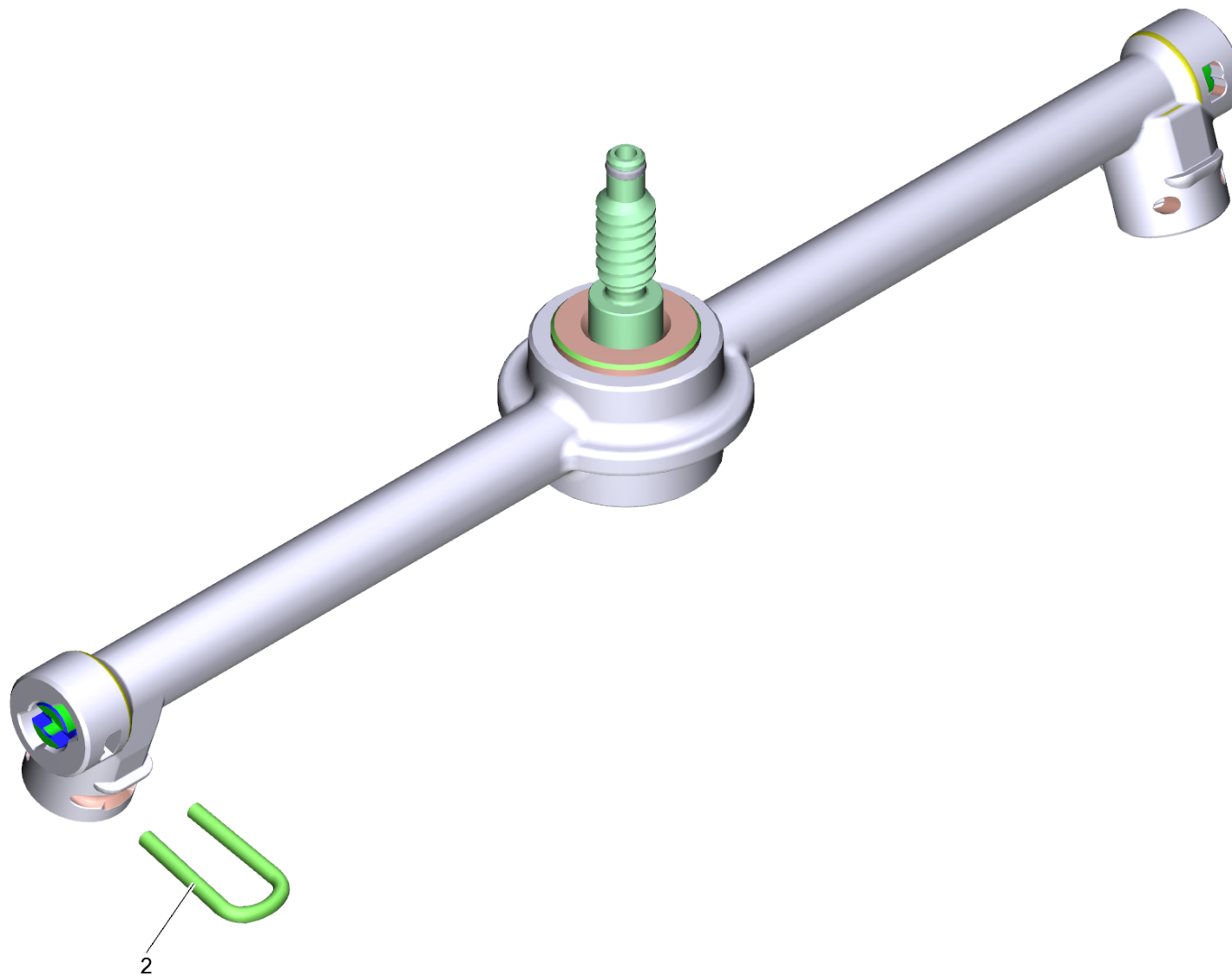
T 50, T 70, T 80, T 100 T 150, T 200, T 250, T 300, T 400, T 450, T 550	K 2 - K 5		
	K 6 - K 7		
T 400, T 450 T 550			
T 200, T 250	K 6 - K 7		
T 350 Gas			

	K 3 - K 5	
	K 6 - K 7	

	K 2	
	K 3 - K 5	

1 Spare parts nozzles T-Racer (2.643-338.0)

POS	Article no.	Description	Quantity	Unit	Remark	Foot note text
1	4.764-155.0	Nozzle complete 15015	1.000	ST	<13 MPa (<130 bar)	GREY
		Item text1: 015				
2	4.764-156.0	Nozzle complete 15020	1.000	ST	13 MPa (130 bar) - 16 MPa (160 bar)	YELLOW
		Item text1: 020				
3		Nozzle complete 15027	1.000	ST		BLACK
		Item text1: 027				
4	4.764-190.0	Nozzle kpl. 75047	1.000	ST		GREEN
		Item text1: 047				
5	5.037-151.0	Clamp	2.000	ST		



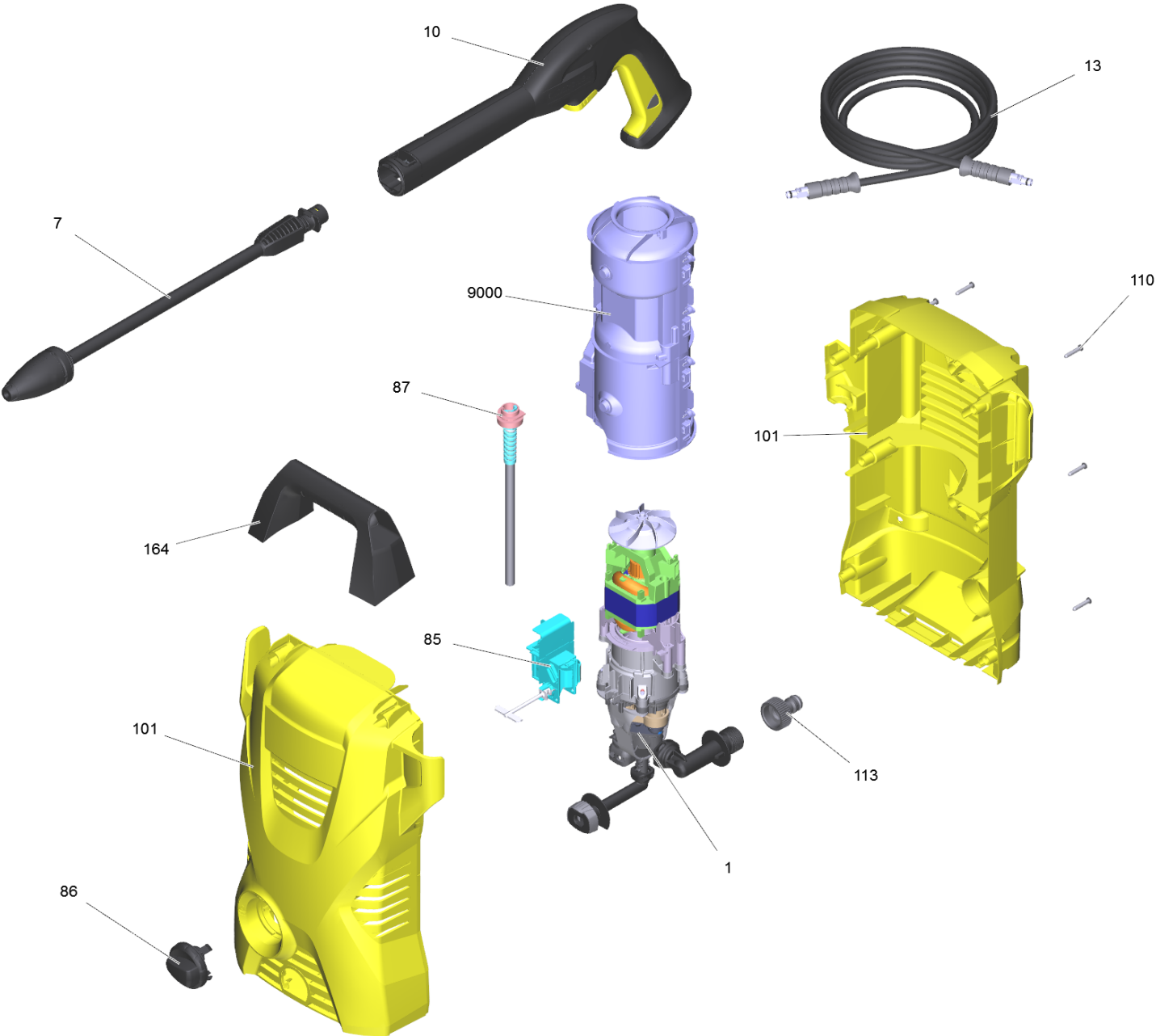
2 Spare part set rotor complete (2.883-000.0)

POS	Article no.	Description	Quantity	Unit
2	5.037-151.0	Clamp	2.000	ST



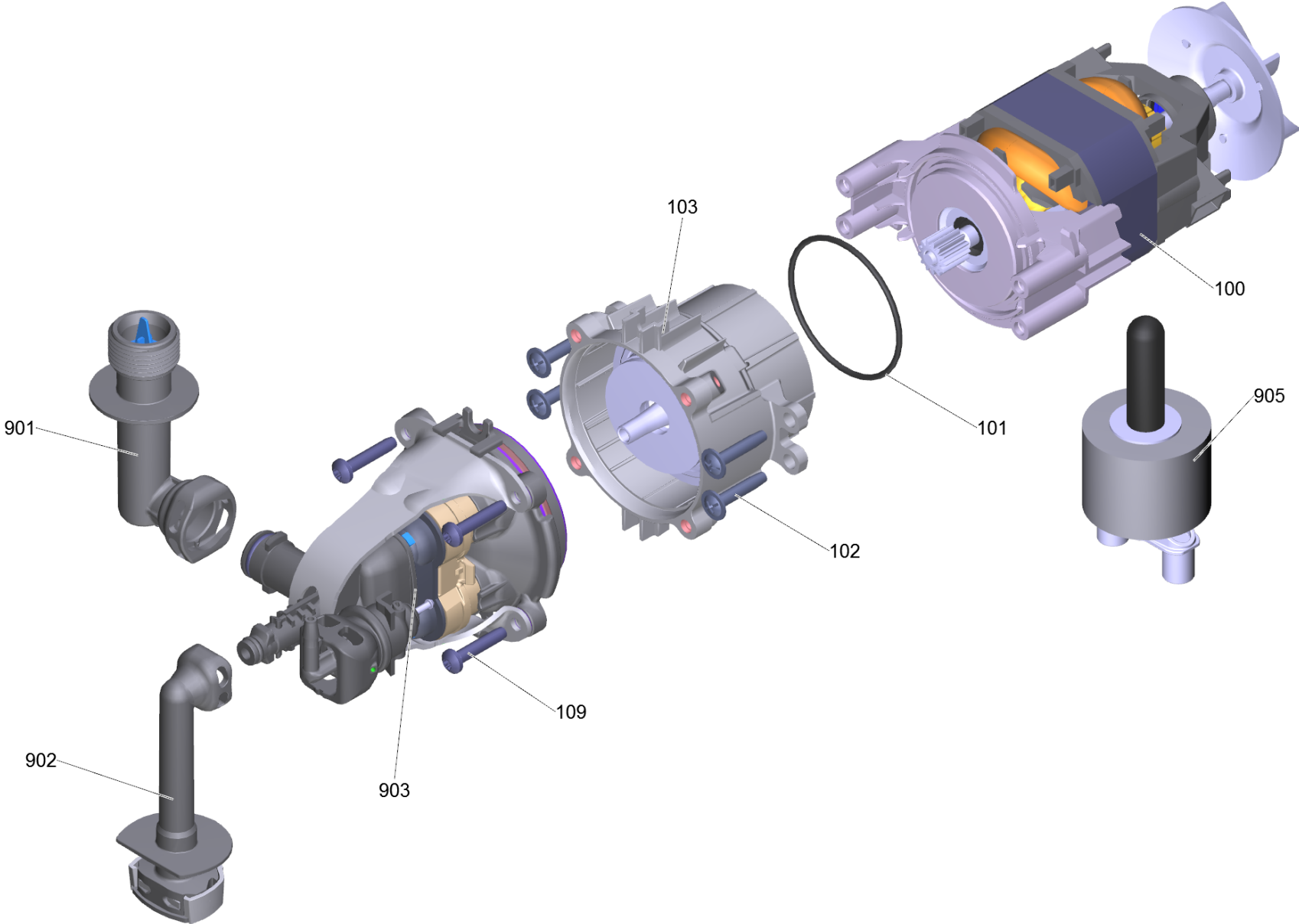
6 Single-step jet pipe extension (2.643-240.0)

POS	Article no.	Description	Quantity	Unit
3	2.640-729.0	O-Ring seal set	1.000	ST
8	5.332-464.0	Pressure spring	1.000	ST
10	5.310-160.0	Nut Kaercher	1.000	ST



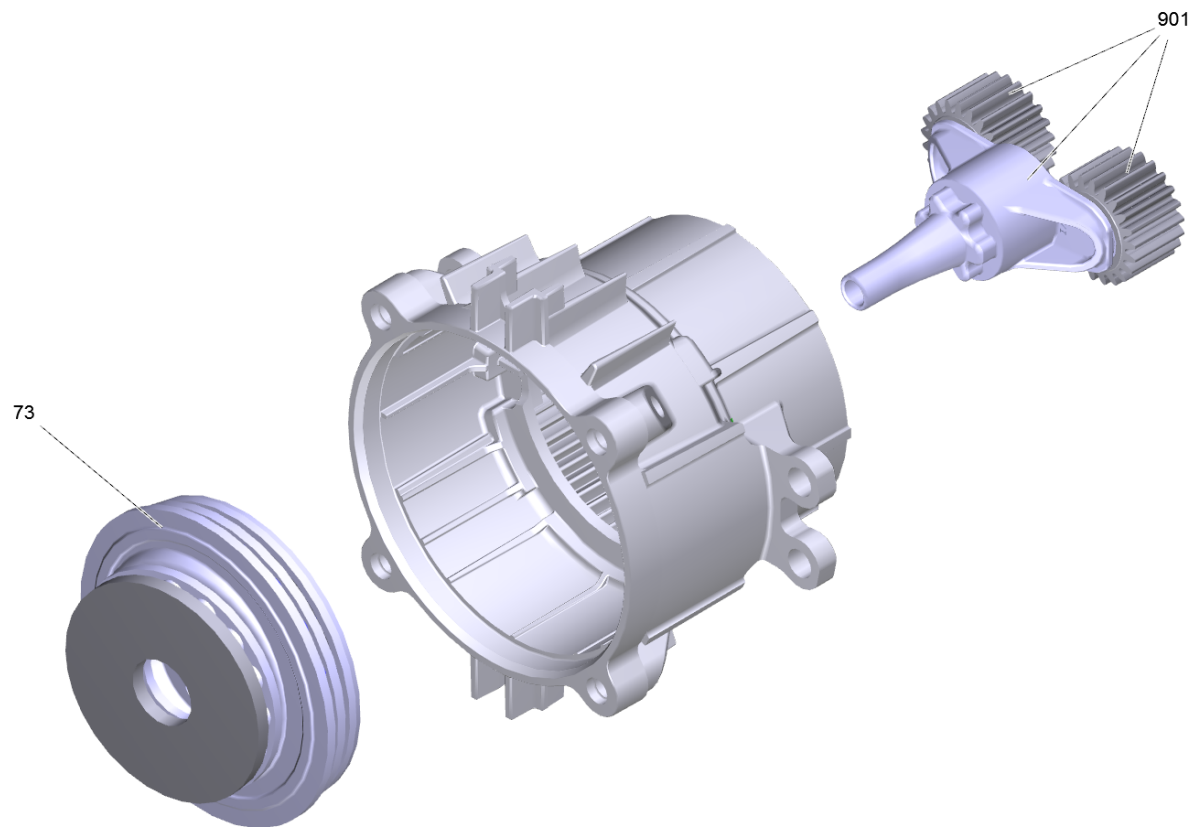
1 Spare parts list K2 Basic *EU (2017)

POS	Article no.	Description	Quantity	Unit
1		Pump set RVu K2*EU (0,75kW;QC/S)INA	1.000	ST
		Item text1: without cleaning agents function		
		Item text2: ohne Reinigungsmittelfunktion		
1		Pump set RVu K2*EU (0,75kW;QC)INA	1.000	ST
		Item text1: with cleaning agents function		
		Item text2: mit Reinigungsmittelfunktion		
7	4.764-317.0	Dirt blaster Entry 026 St	1.000	ST
10	4.775-830.0	G 120 Q	1.000	ST
13	6.396-513.0	High pressure hose 12MPa/4 40°C QCS B	1.000	ST
85		Switch with axle RV	1.000	ST
86	5.322-039.0	Handhold switch Modul Range	1.000	ST
87	2.885-475.0	Spare parts set strain relief with cable	1.000	ST
101	5.067-616.3	Housing pair	1.000	ST
104	5.387-620.0	Warning sticker-Prevent from freezing	1.000	ST
110	6.303-150.0	Screw 4,2x 22	7.000	ST
113	6.465-031.0	Connection 3/4	1.000	ST
164	5.322-038.0	Handhold small K2 Modul-Range	1.000	ST
9000	4.067-071.0	Motor housing set replacement K2 RV	1.000	ST



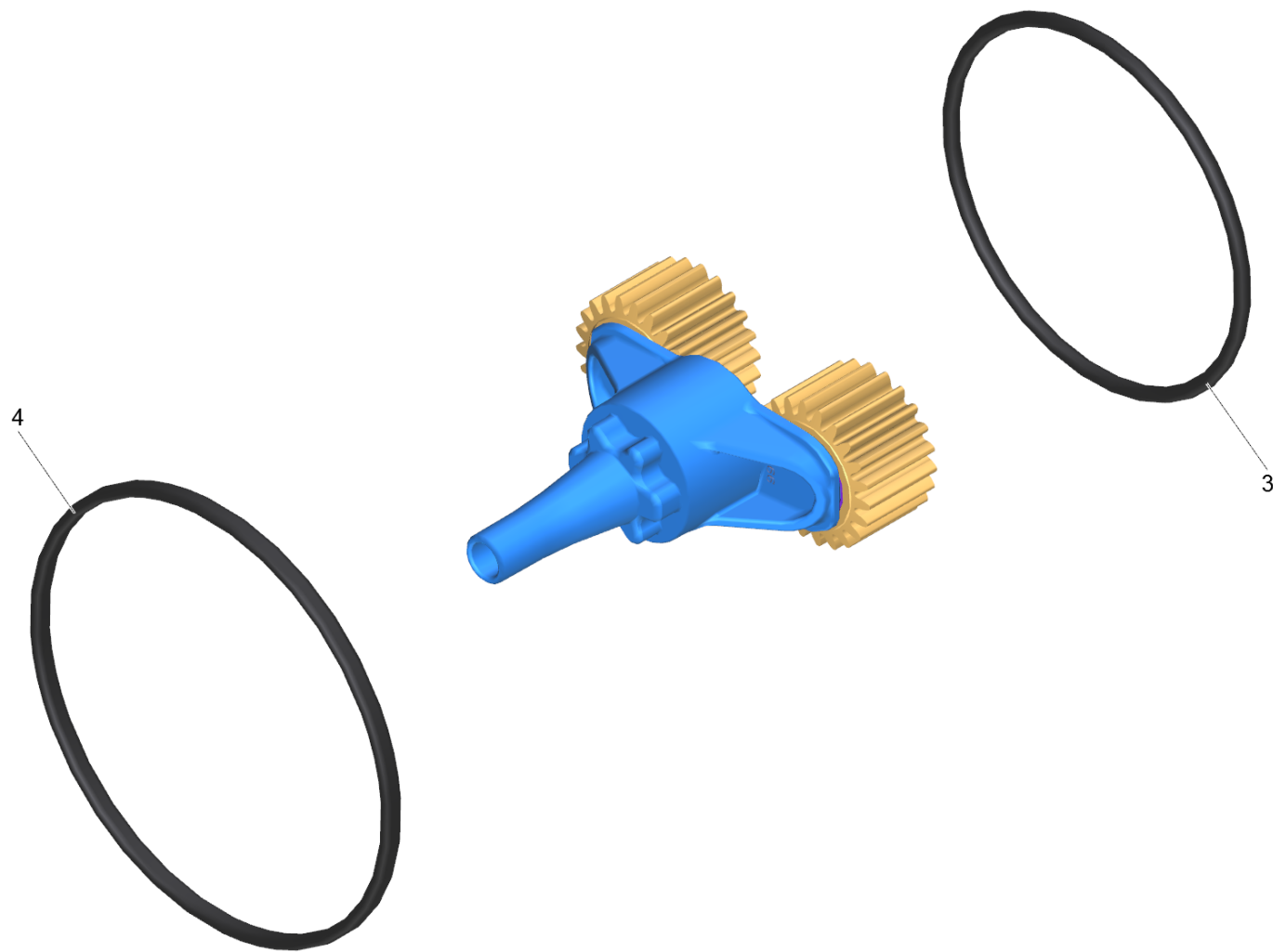
1 Pump set RVu K2*EU (0,75kW;QC)INA

POS	Article no.	Description	Quantity	Unit
100	4.100-622.0	Motor only for replacement	1.000	ST
101	6.363-657.0	O-Ring seal 50x2.35 NBR 70	1.000	ST
102	6.303-260.0	Screw 5x26,4	4.000	ST
103		Gear complete 6°12'4,02 RV upr. (INA)	1.000	ST
109	6.303-519.0	Screw M5x25-10.9-A2E (IN6RD/T25)	4.000	ST
901	4.063-913.0	Suction cover for replacement with SV5 (1.000	ST
902	4.064-047.0	High-pressure outlet with clamp for repl	1.000	ST
903	4.551-144.0	Cylinder head for replacement (981) RV	1.000	ST
904	6.288-112.0	Engine oil 10W-60, 1L	1.000	ST
905	2.100-023.0	Special tool motor K2	1.000	ST
		Item text1: Pay attention to Assembly instruction!		
		Item text2: Montageanleitung beachten!		



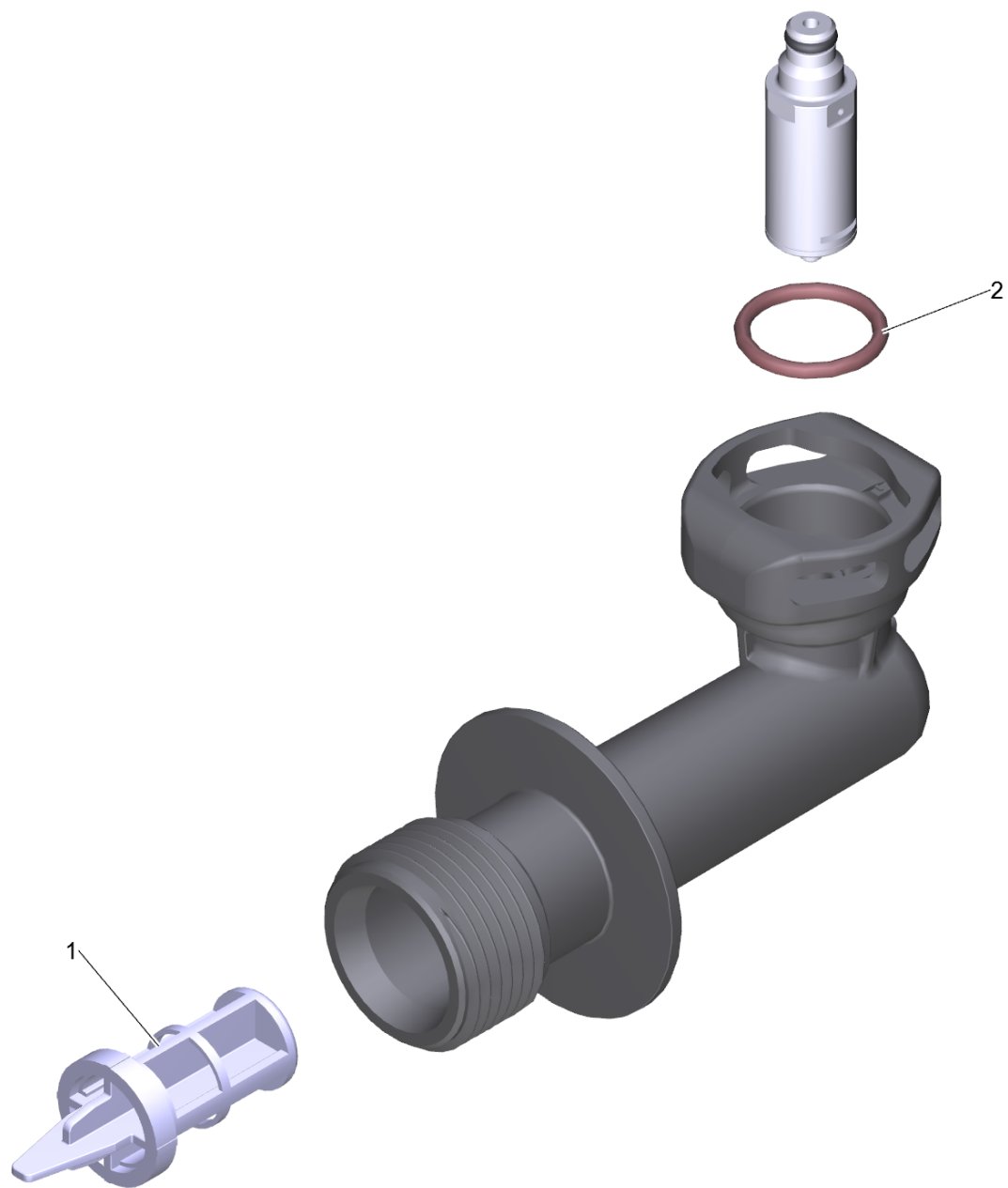
103 Gear complete 6°12'4,02 RV upr. (INA)

POS	Article no.	Description	Quantity	Unit
73	4.120-228.0	Wobble plate complete 5-parts 6°12'4,02ex	1.000	ST
901	4.100-662.0	Spare part set planet wheel	1.000	ST



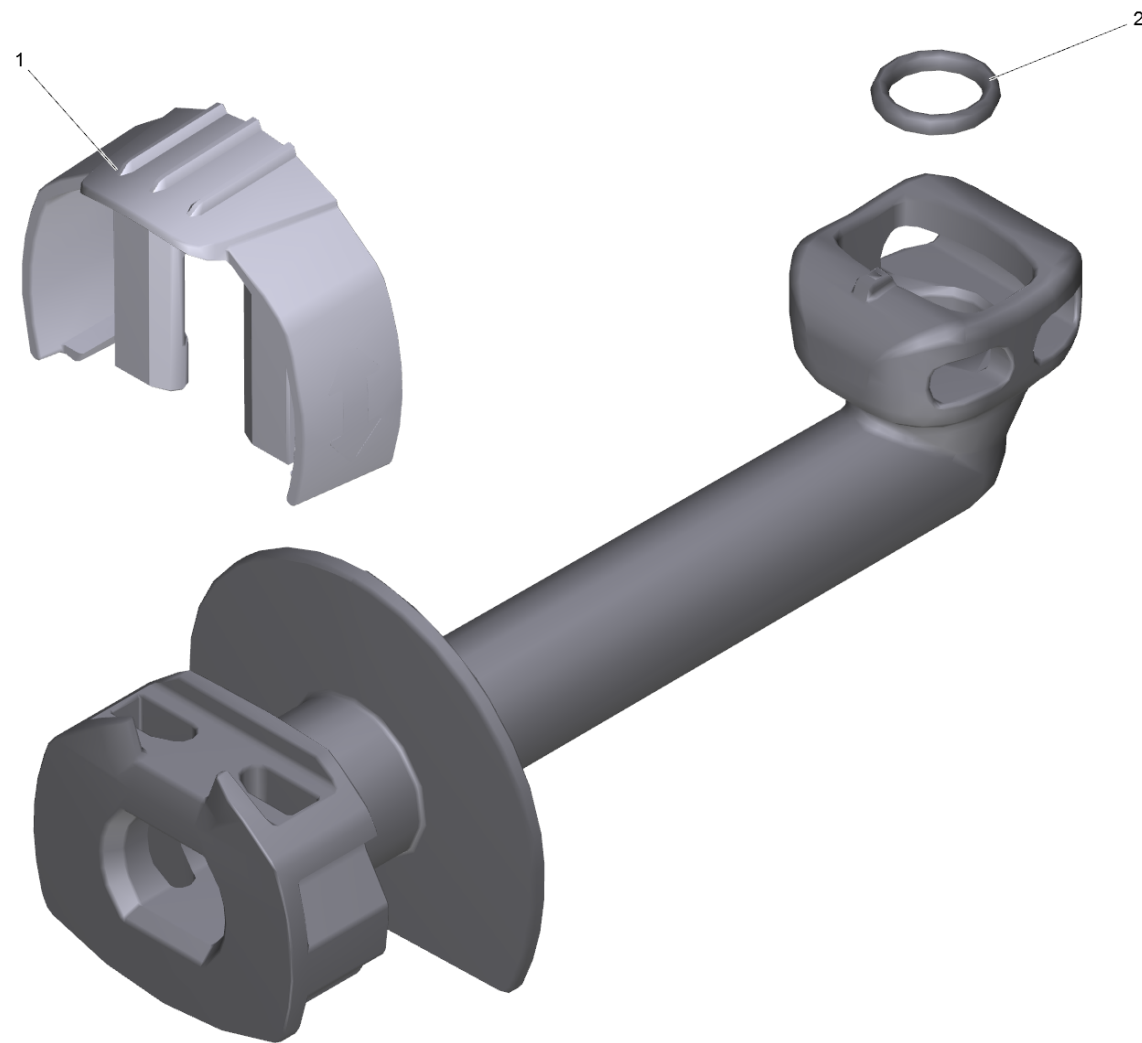
901 Spare part set planet wheel (4.100-662.0)

POS	Article no.	Description	Quantity	Unit
3	6.363-657.0	O-Ring seal 50x2.35 NBR 70	1.000	ST
4	6.362-826.0	O-Ring seal 61,6x2,62	1.000	ST



901 Suction cover for replacement with SV5 (4.063-913.0)

POS	Article no.	Description	Quantity	Unit
1	5.731-004.0	Fine filter short (2015/17)	1.000	ST
2	6.362-427.0	O-Ring seal 15,0x2,0	1.000	ST

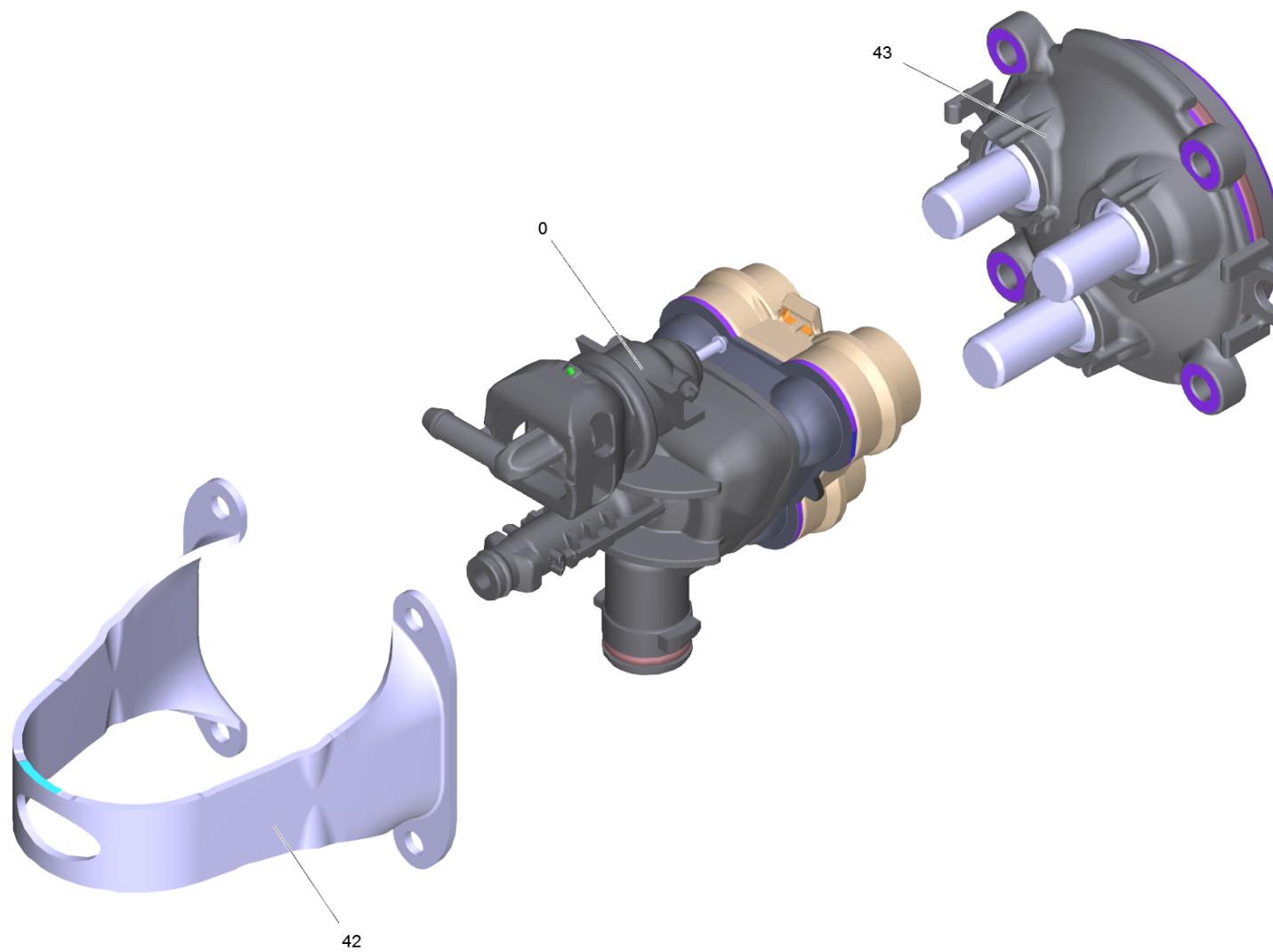


902 High-pressure outlet with clamp for repl (4.064-047.0)

POS	Article no.	Description	Quantity	Unit
1	5.037-463.0	Clamp for high-pressure outlet	1.000	ST
2	6.362-113.0	O-Ring seal 6,0 x 2,0 NBR 70	1.000	ST

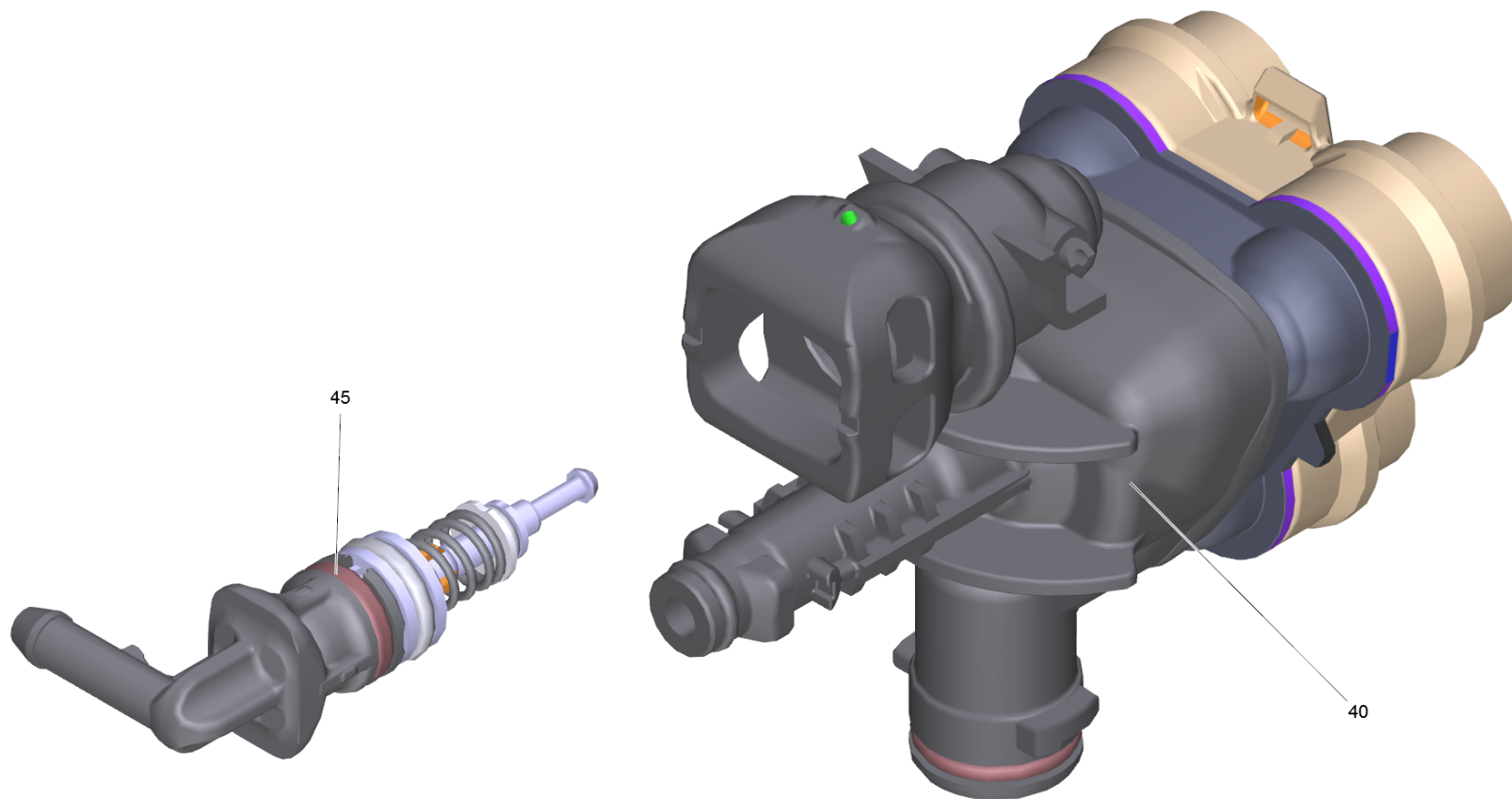
903 Cylinder head for replacement (981) RV (4.551-144.0)

POS	Description	Quantity	Unit
1	Cylinder head complete RV K2.0X	1.000	ST



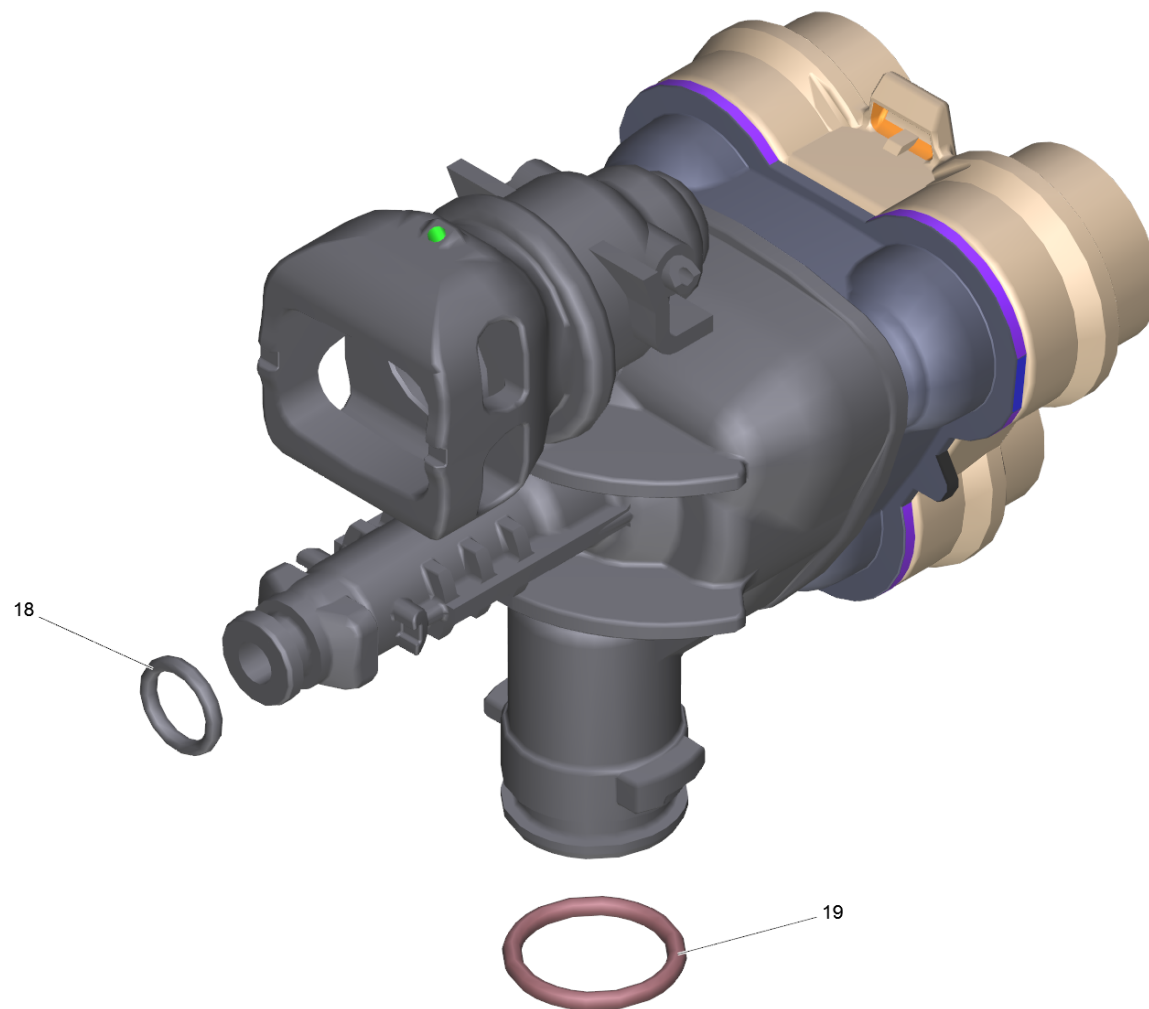
1 Cylinder head complete RV K2.0X

POS	Article no.	Description	Quantity	Unit
0	4.551-159.3	Cylinder head only for replacement	1.000	ST
42	5.051-384.0	Sheet metal component 4-fach	1.000	ST
43		Thrust guidance complete quadruple	1.000	ST



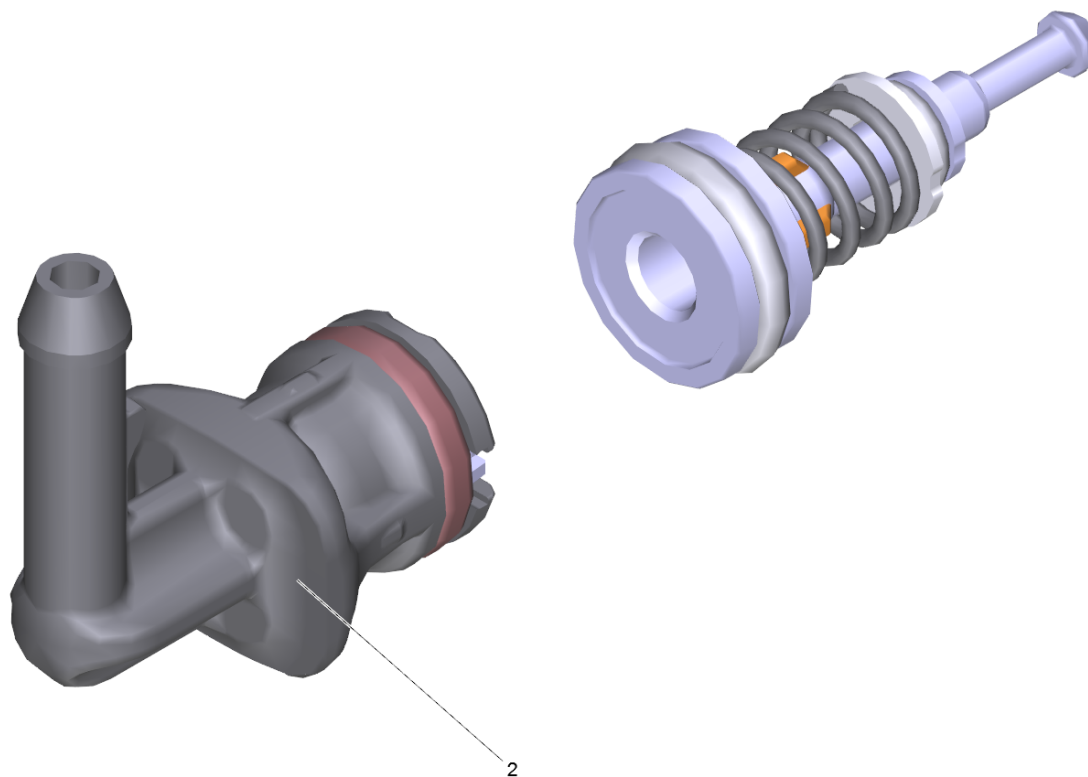
Cylinder head only for replacement (4.551-159.3)

POS	Article no.	Description	Quantity	Unit
40		Cylinder head RV K2.0X	1.000	ST
45	2.885-397.0	Spare parts set control piston with nipp	1.000	ST



40 Cylinder head RV K2.0X

POS	Article no.	Description	Quantity	Unit
18	6.362-113.0	O-Ring seal 6,0 x 2,0 NBR 70	1.000	ST
19	6.362-427.0	O-Ring seal 15,0x2,0	1.000	ST

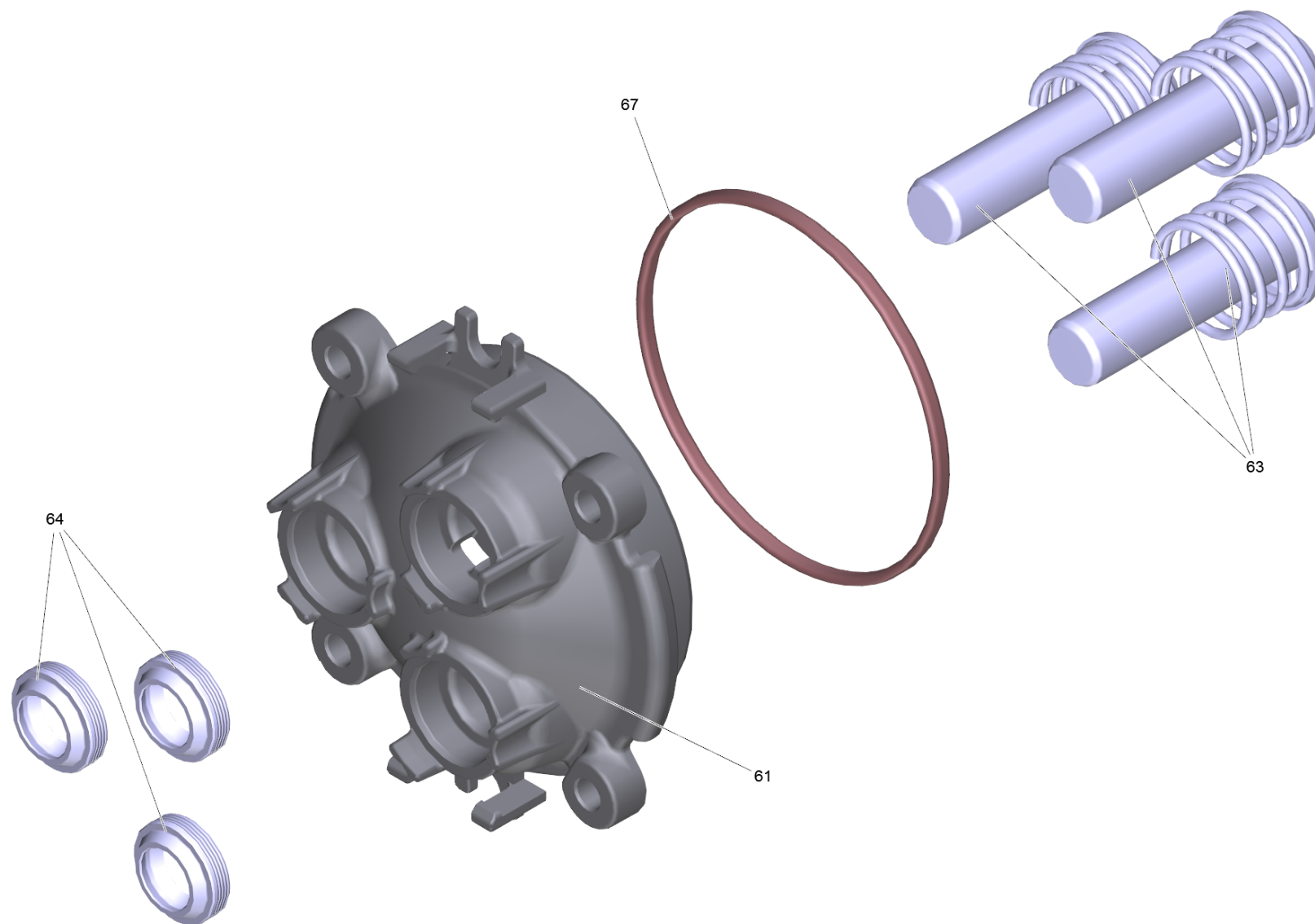


45 Spare parts set control piston with nipp (2.885-397.0)

POS	Article no.	Description	Quantity	Unit
2	2.885-396.0	Spare parts set nipple chemistry RV	1.000	ST

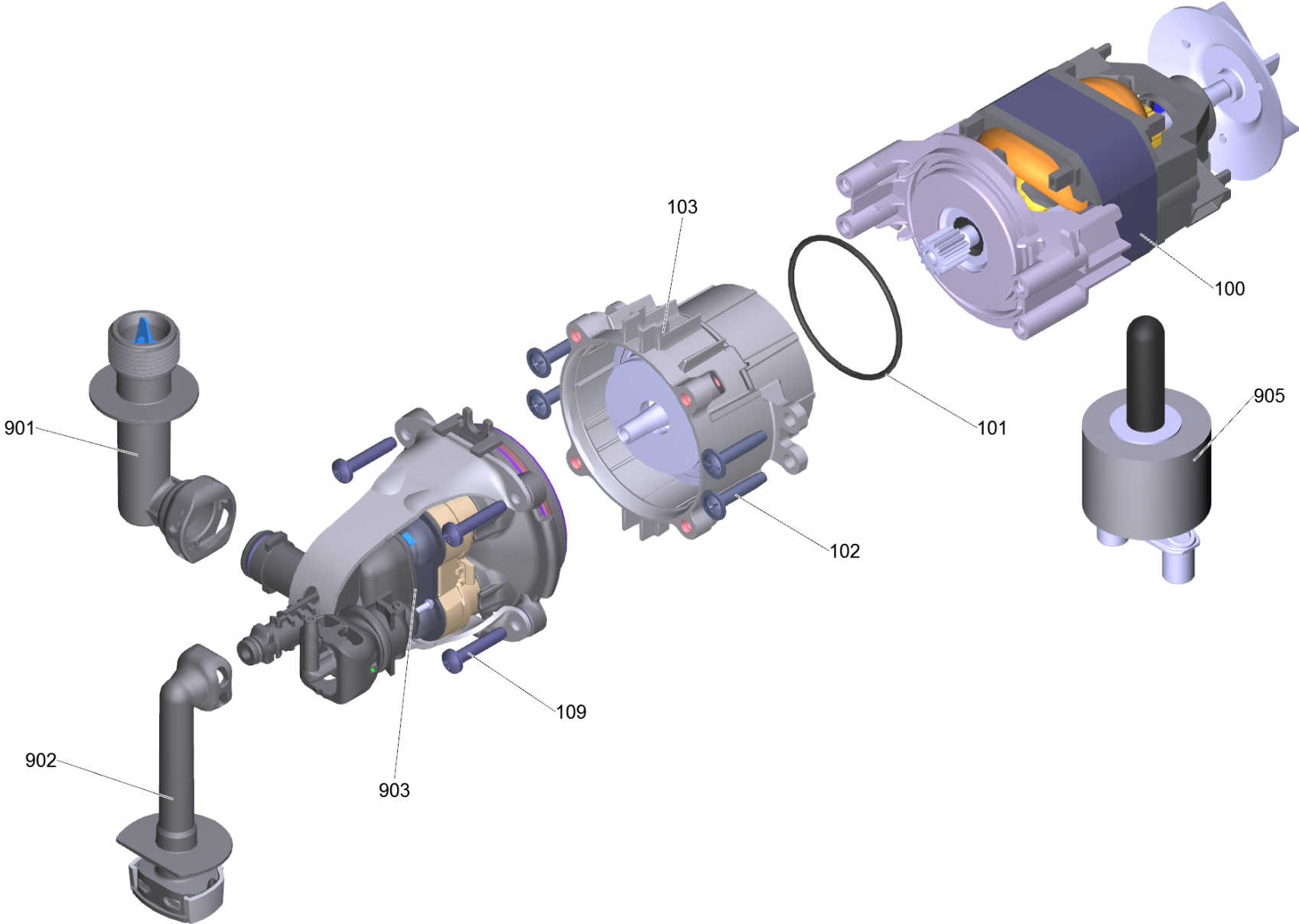
2 Spare parts set nipple chemistry RV (2.885-396.0)

POS	Article no.	Description	Quantity	Unit
2	6.288-088.0	Grease Molikote 55 M	1.000	ST



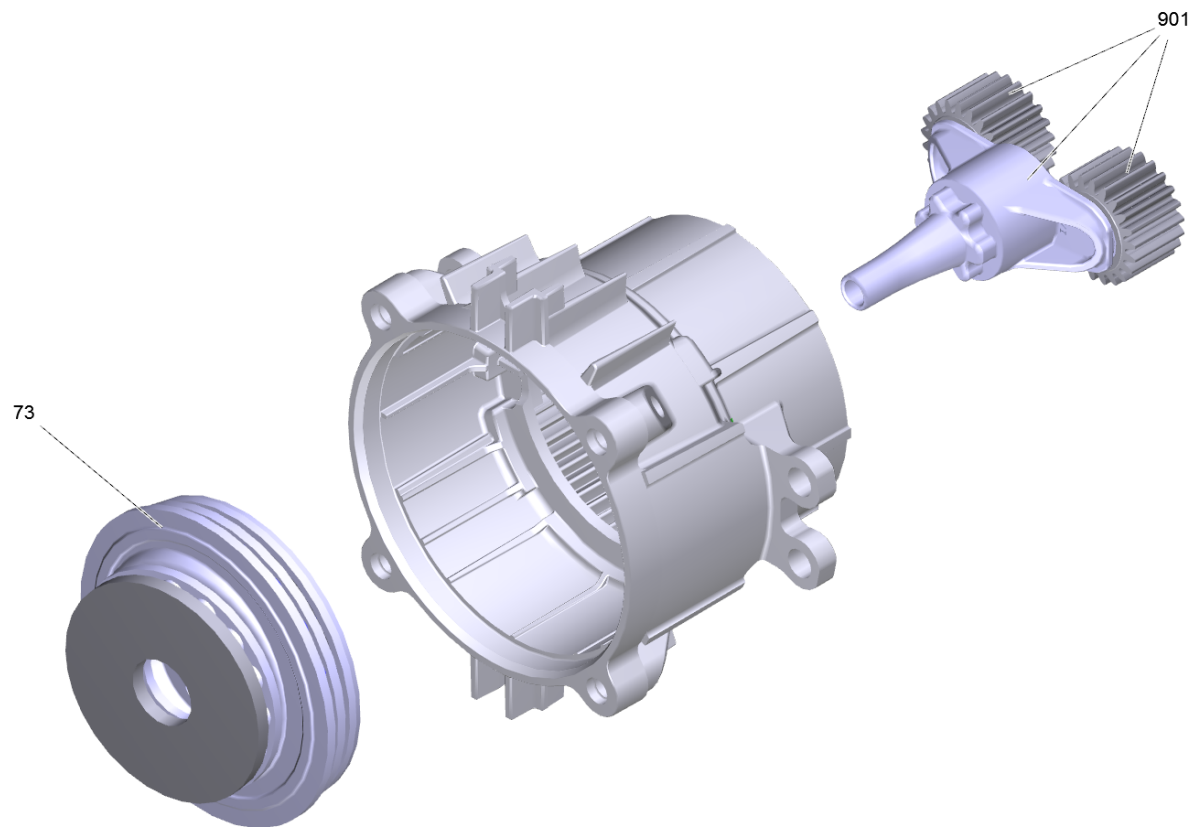
43 Thrust guidance complete quadruple

POS	Article no.	Description	Quantity	Unit
61	5.062-412.0	Thrust guidance V2 R V	1.000	ST
63	2.885-398.0	Spare parts set piston with spring RV	1.000	ST
64	6.365-581.0	Grooved ring 12x18x4/6 NBR 75 Shore A	3.000	ST
67	6.362-826.0	O-Ring seal 61,6x2,62	1.000	ST



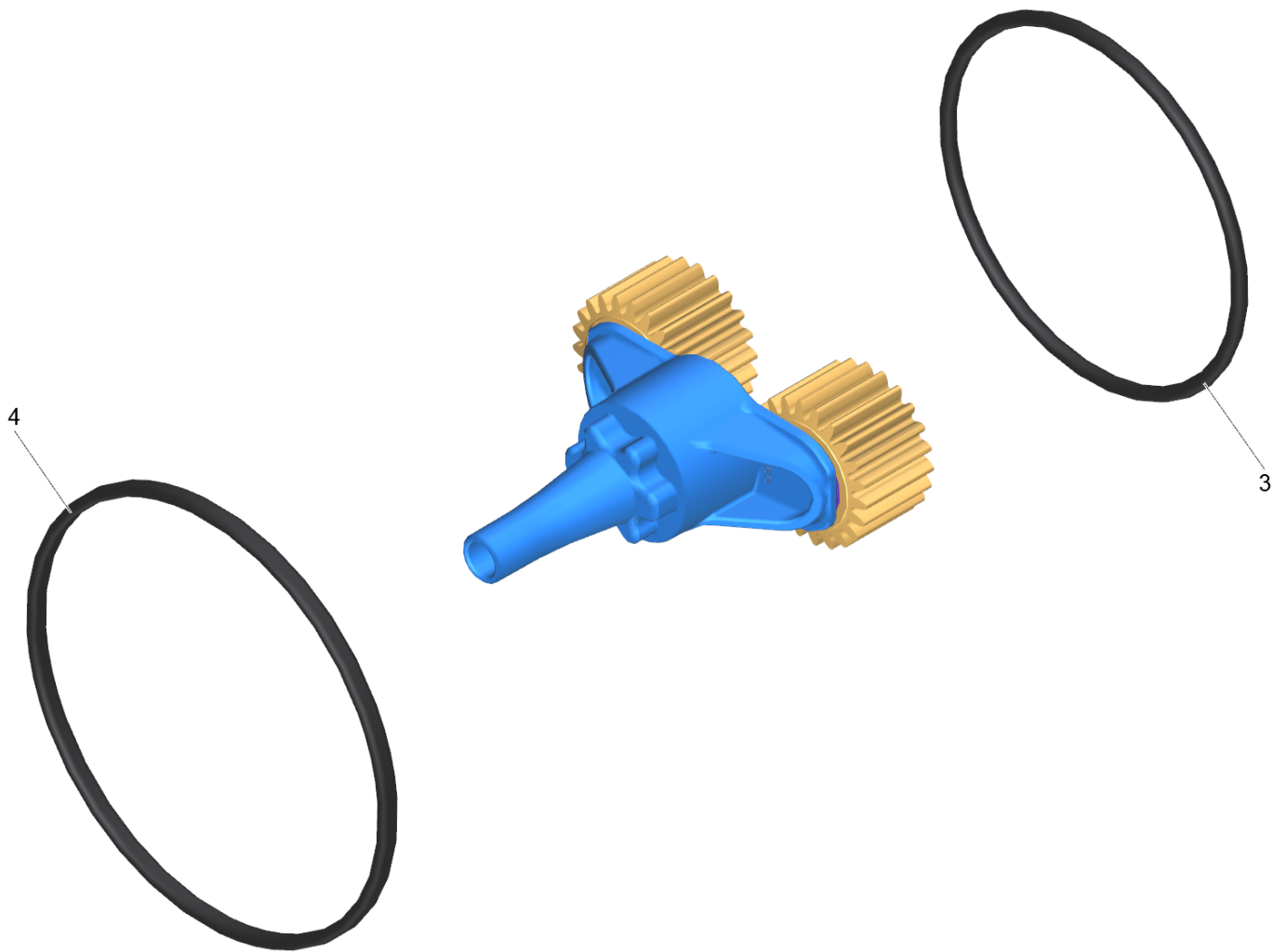
1 Pump set RVu K2*EU (0,75kW;QC/S)INA

POS	Article no.	Description	Quantity	Unit
100	4.100-622.0	Motor only for replacement	1.000	ST
101	6.363-657.0	O-Ring seal 50x2.35 NBR 70	1.000	ST
102	6.303-260.0	Screw 5x26,4	4.000	ST
103		Gear complete 6°12'4,02 RV upr. (INA)	1.000	ST
109	6.303-519.0	Screw M5x25-10.9-A2E (IN6RD/T25)	4.000	ST
901	4.063-913.0	Suction cover for replacement with SV5 (1.000	ST
902	4.064-047.0	High-pressure outlet with clamp for repl	1.000	ST
903	4.551-171.0	Cylinder head for replacement (016) RV	1.000	ST
904	6.288-112.0	Engine oil 10W-60, 1L	1.000	ST
905	2.100-023.0	Special tool motor K2	1.000	ST
		Item text1: Pay attention to Assembly instruction!		
		Item text2: Montageanleitung beachten!		



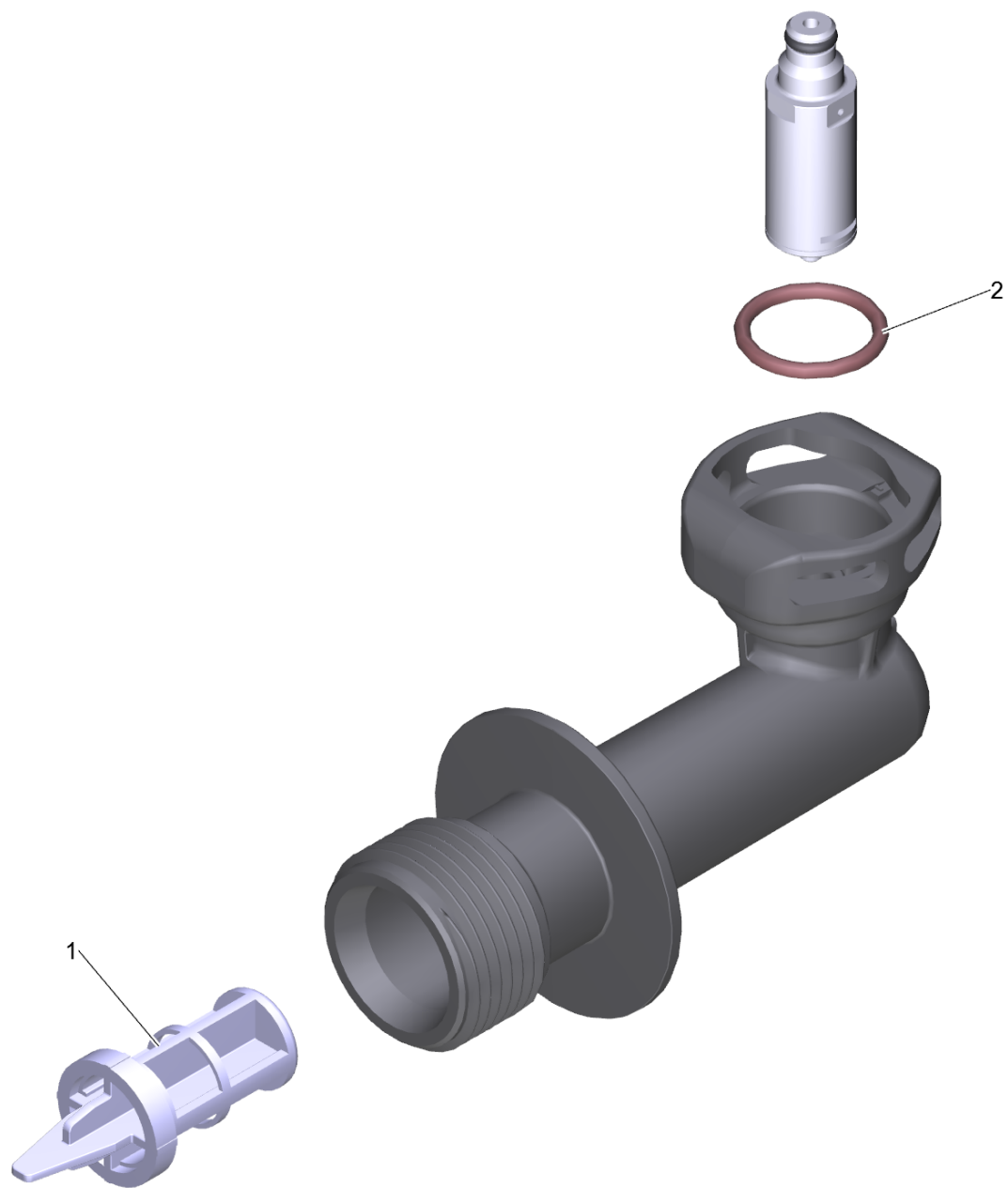
103 Gear complete 6°12'4,02 RV upr. (INA)

POS	Article no.	Description	Quantity	Unit
73	4.120-228.0	Wobble plate complete 5-parts 6°12'4,02ex	1.000	ST
901	4.100-662.0	Spare part set planet wheel	1.000	ST



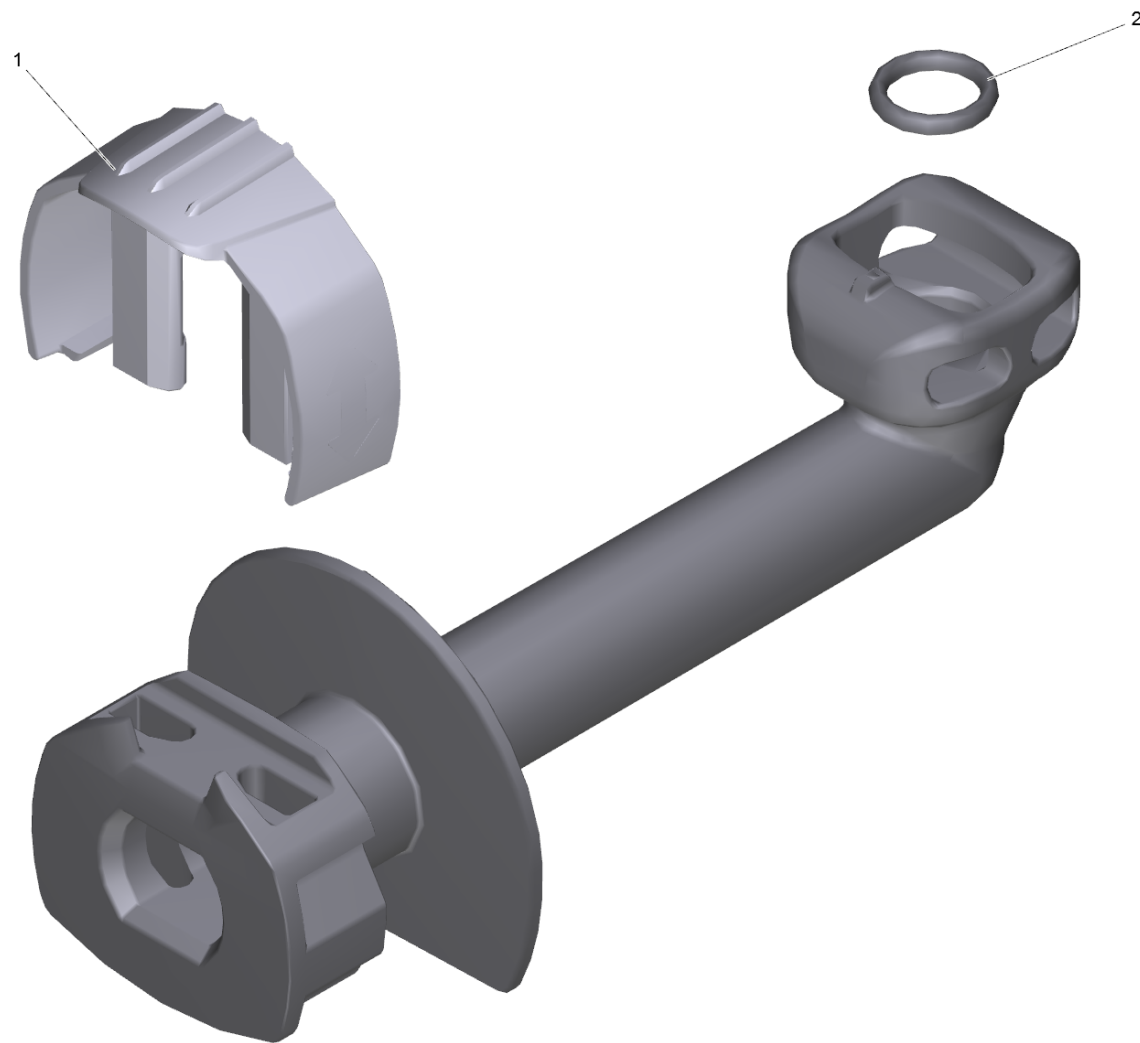
901 Spare part set planet wheel (4.100-662.0)

POS	Article no.	Description	Quantity	Unit
3	6.363-657.0	O-Ring seal 50x2.35 NBR 70	1.000	ST
4	6.362-826.0	O-Ring seal 61,6x2,62	1.000	ST



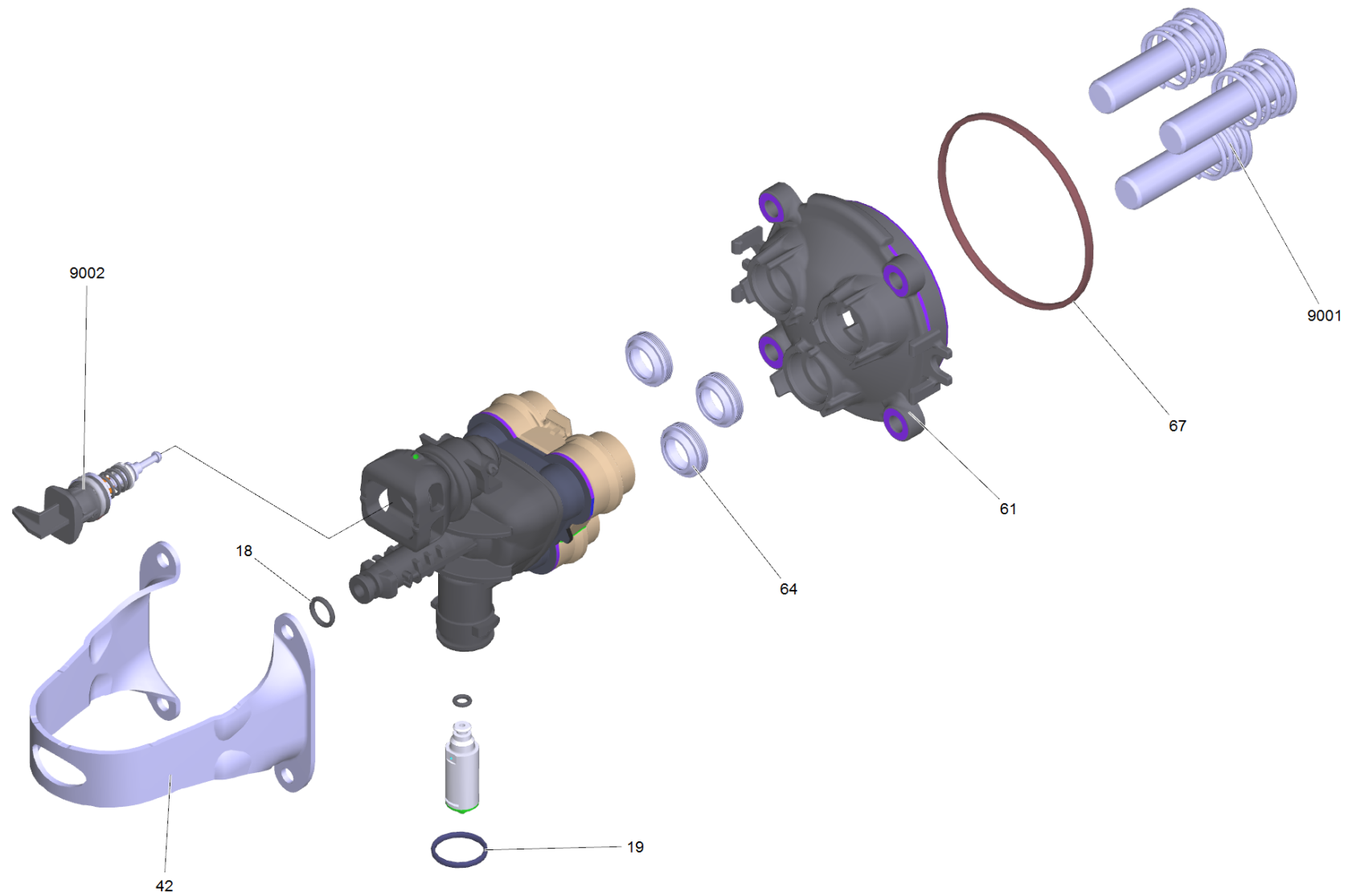
901 Suction cover for replacement with SV5 (4.063-913.0)

POS	Article no.	Description	Quantity	Unit
1	5.731-004.0	Fine filter short (2015/17)	1.000	ST
2	6.362-427.0	O-Ring seal 15,0x2,0	1.000	ST



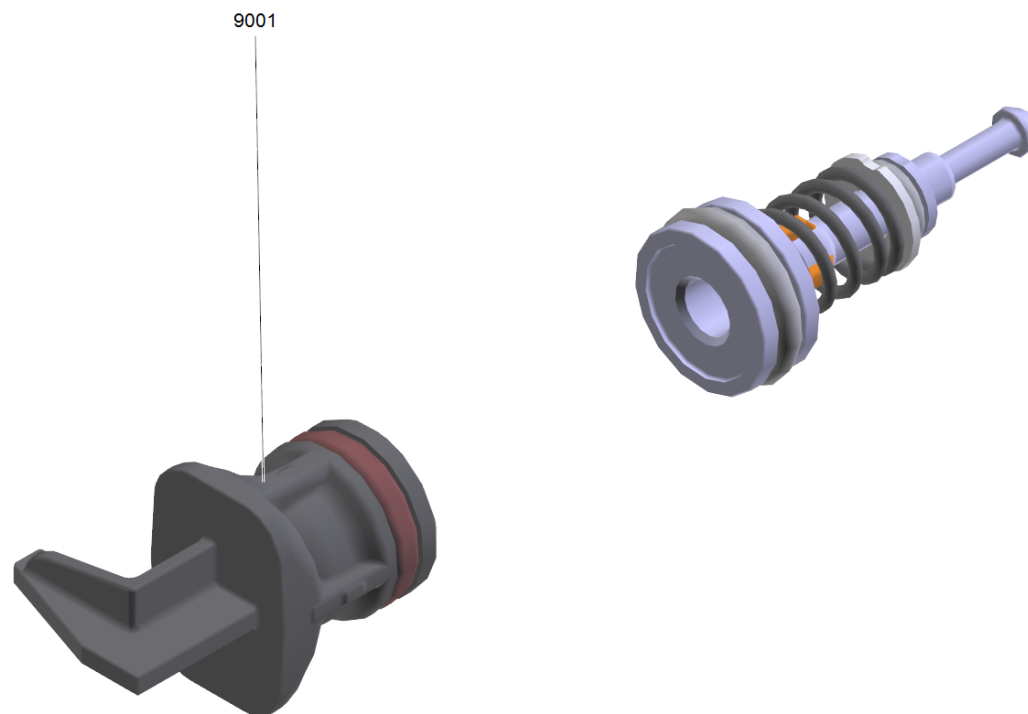
902 High-pressure outlet with clamp for repl (4.064-047.0)

POS	Article no.	Description	Quantity	Unit
1	5.037-463.0	Clamp for high-pressure outlet	1.000	ST
2	6.362-113.0	O-Ring seal 6,0 x 2,0 NBR 70	1.000	ST



903 Cylinder head for replacement (016) RV (4.551-171.0)

POS	Article no.	Description	Quantity	Unit
18	6.362-113.0	O-Ring seal 6,0 x 2,0 NBR 70	1.000	ST
19	6.362-427.0	O-Ring seal 15,0x2,0	1.000	ST
42	5.051-384.0	Sheet metal component 4-fach	1.000	ST
61	5.062-412.0	Thrust guidance V2 R V	1.000	ST
64	6.365-581.0	Grooved ring 12x18x4/6 NBR 75 Shore A	3.000	ST
67	6.362-826.0	O-Ring seal 61,6x2,62	1.000	ST
9001	2.885-398.0	Spare parts set piston with spring RV	1.000	ST
9002	2.885-424.0	Spare parts set control piston with clos	1.000	ST



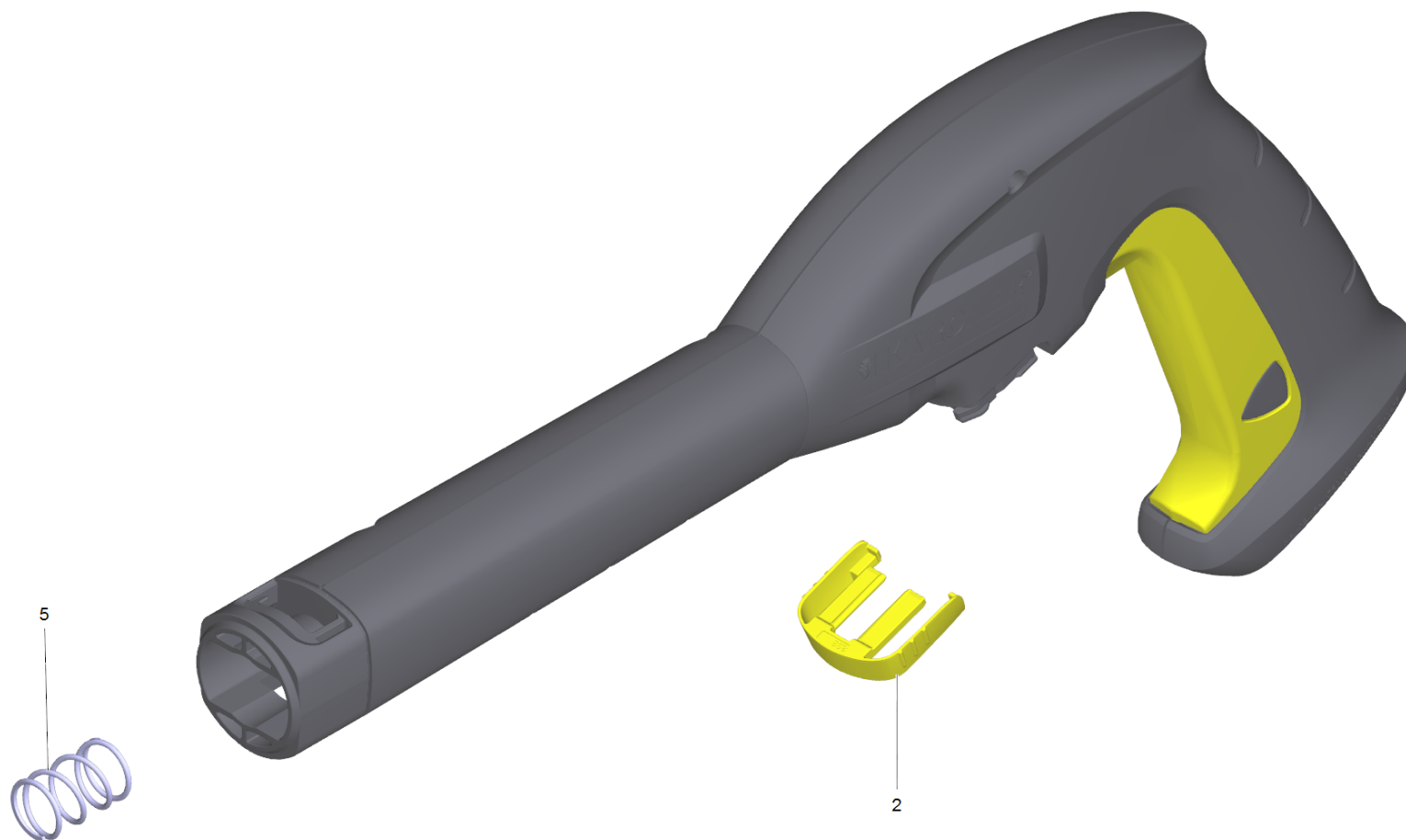
9002 Spare parts set control piston with clos (2.885-424.0)

POS	Article no.	Description	Quantity	Unit
9001	2.885-423.0	Spare parts set closure part chemistry R	1.000	ST



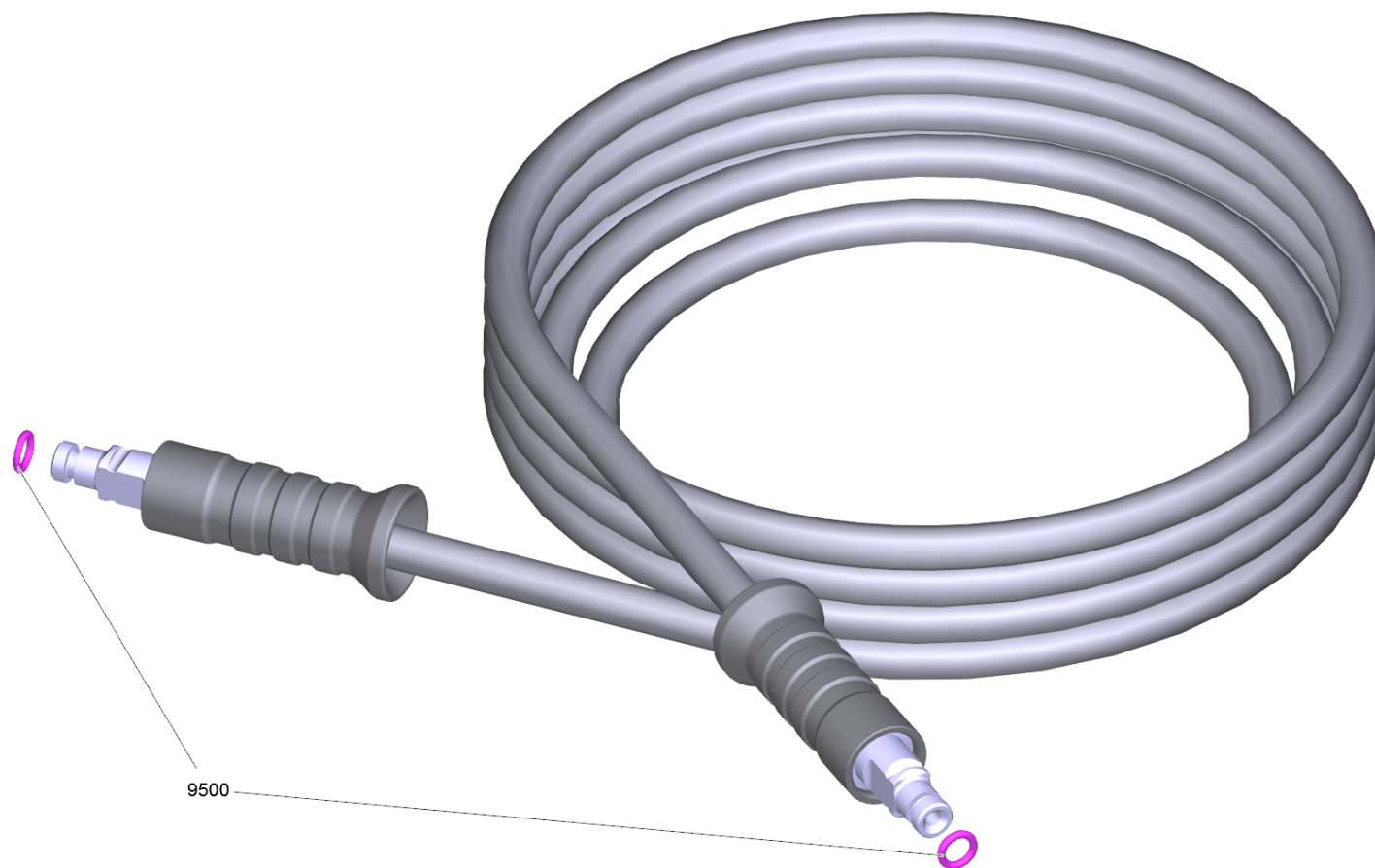
7 Dirt blaster Entry 026 St (4.764-317.0)

POS	Article no.	Description	Quantity	Unit
1	2.640-729.0	O-Ring seal set	1.000	ST



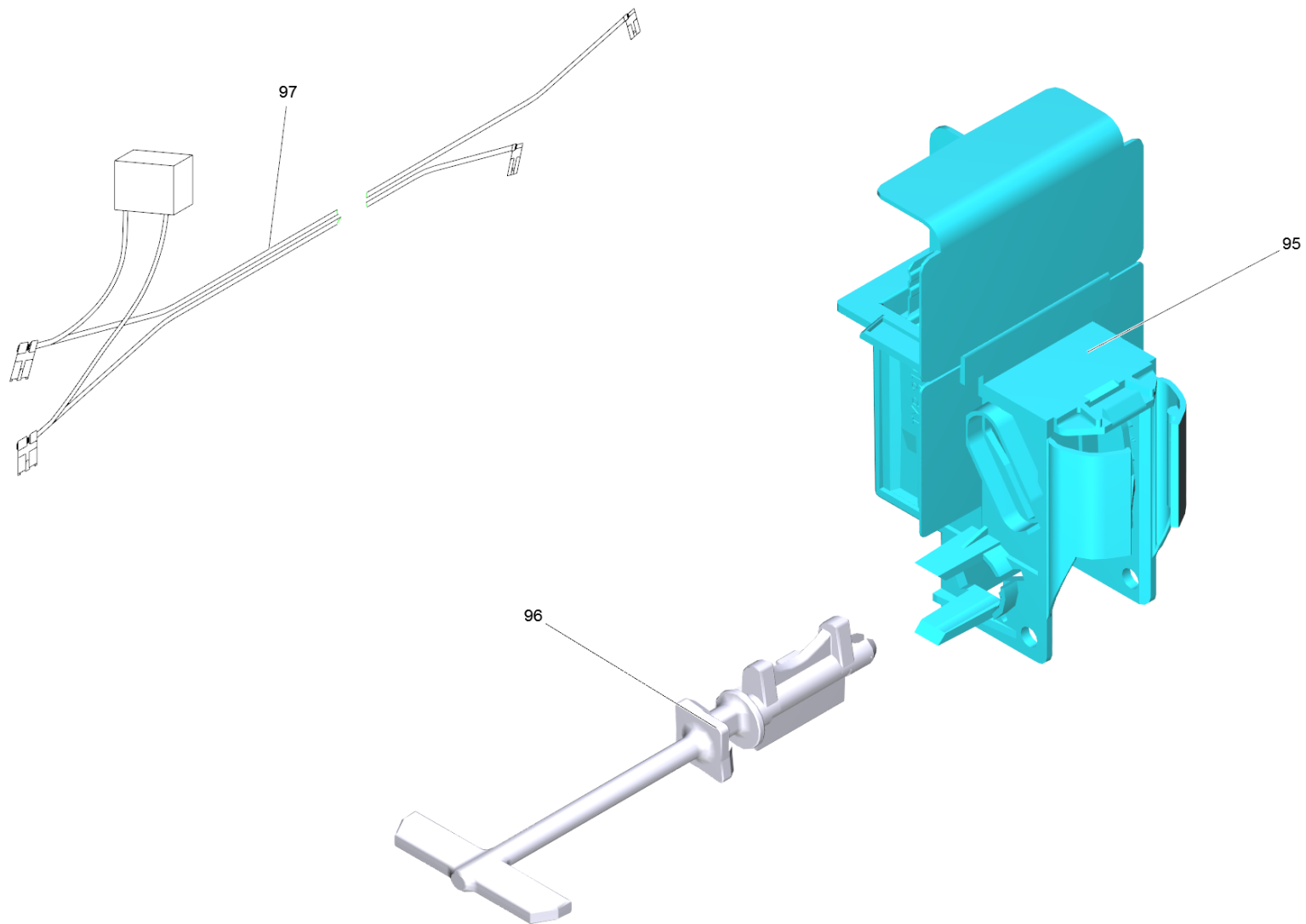
10 G 120 Q (4.775-830.0)

POS	Article no.	Description	Quantity	Unit
2	5.037-333.0	Clamp pistol Entry	1.000	ST
5	5.332-464.0	Pressure spring	1.000	ST



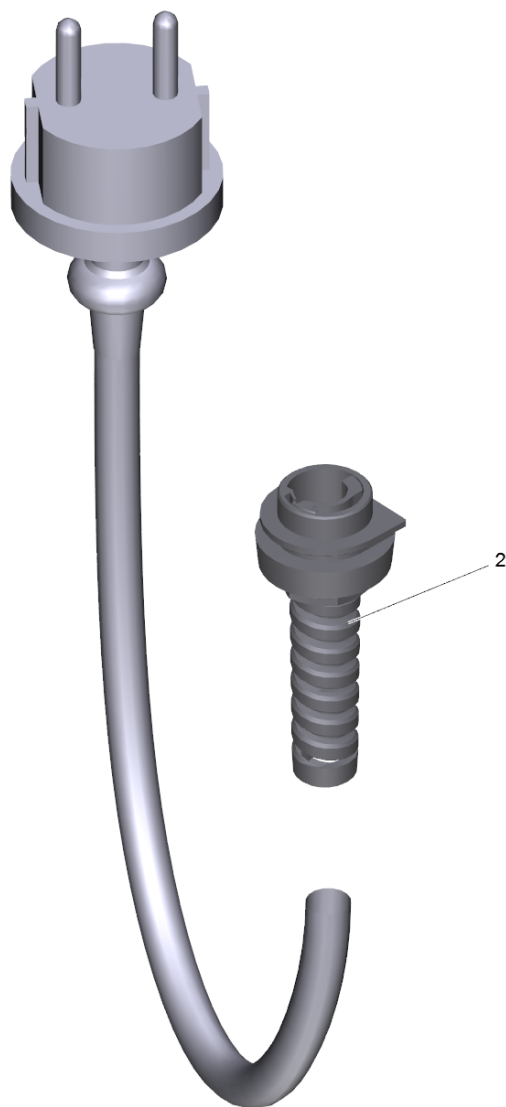
13 High pressure hose 12MPa/4 40°C QCS B (6.396-513.0)

POS	Article no.	Description	Quantity	Unit
9500	2.640-729.0	O-Ring seal set	1.000	ST



85 Switch with axle RV

POS	Article no.	Description	Quantity	Unit
95	6.630-768.0	Switch replacement + UL/CSA RV	1.000	ST
96	5.105-659.0	Axle UZS 75.5mm	1.000	ST
97	6.648-389.0	Cable with capacitor 220nF (225/280mm)	1.000	ST



87 Spare parts set strain relief with cable (2.885-475.0)

POS	Article no.	Description	Quantity	Unit
2	9.760-372.0	strain relief	1.000	ST