

## **Spare parts list**

(1.367-156.0) HD 9/50-4 Cage

## Table of contents

---

HD 9/50-4 Cage (1.367-156.0)	4
90 Spare parts list HD 9/50-4 400V (5.971-996.0)	5
10 Frame	6
1 Spare part set cover grey (2.885-353.0)	8
1 Cover complete only for replacement (4.100-586.0)	10
20 Pump set	12
21 Piston	13
25 Safety valve 64 MPa (4.590-095.0)	16
34 Gear Hub 25 D14 (4.626-011.0)	18
7 Spare part set piston rod (4.880-006.0)	20
1 Piston rod complete (4.551-008.0)	22
35 Cylinder head complete D14 (4.550-936.0)	24
45 Cylinder head complete D14 (4.550-936.0)	26
100 Spare parts set industry pump 500 bar (2.885-140.0)	28
22 Excess-current	30
8 Spare parts set excess-current only for (2.885-113.0)	32
18 Valve complete (4.580-740.0)	34
23 Water filter	36
1 Water filter complete (6.415-960.0)	38
20 Pump set Leuco	40
21 Piston Leuco	41
1 Pump Leuco ET5R950	43
900 Cylinder head cpl. Leuco KRP1350/1550 (6.100-594.0)	45
901 Gear cpl. Leuco KRP1550 (6.100-600.0)	47
101 Set bearing side closed (6.100-422.0)	49
104 Set bearing side open (6.100-423.0)	51
2 Safety valve 64 MPa (4.590-095.0)	53
22 Excess-current	55
8 Spare parts set excess-current only for (2.885-113.0)	57
18 Valve complete (4.580-740.0)	59
23 Water filter	61
1 Water filter complete (6.415-960.0)	63
30 Motor	65
40 Accessories	67
41 Hand trigger gun	68
Hand trigger gun only for replacement (4.775-824.0)	70
40 Spare part set piston 65MPa (2.885-214.0)	72
60 Spare part set adapter 65MPa (2.885-216.0)	74

## Table of contents

---

6 Spare part set adapter 65MPa (2.885-216.0)	76
11 Spare part set piston 65MPa (2.885-214.0)	78
42 High pressure hose	80
1 Hose assembly DN8 64MPa 30m (6.391-020.0)	82
1 Hose assembly DN8 64MPa 10m (6.391-848.0)	84
43 Jet pipe	86
Jet pipe complete 700 mm 65 MPa (4.760-679.0)	88
9 Power Rotary Jet 50 MPa (6.415-915.0)	90
11 Power Rotary Jet F8 030 (6.415-069.0)	91
44 HD protective clothing	93
50 Electric control box	95
4 Electric control box complete (4.080-000.0)	97
60 Add-on kit castor	98
70 ABS protection against water shortage el	100

HD 9/50-4 Cage (1.367-156.0)

---

POS	Article no.	Description	Quantity	Unit
90	5.971-996.0	Spare parts list HD 9/50-4 400V	1	PC

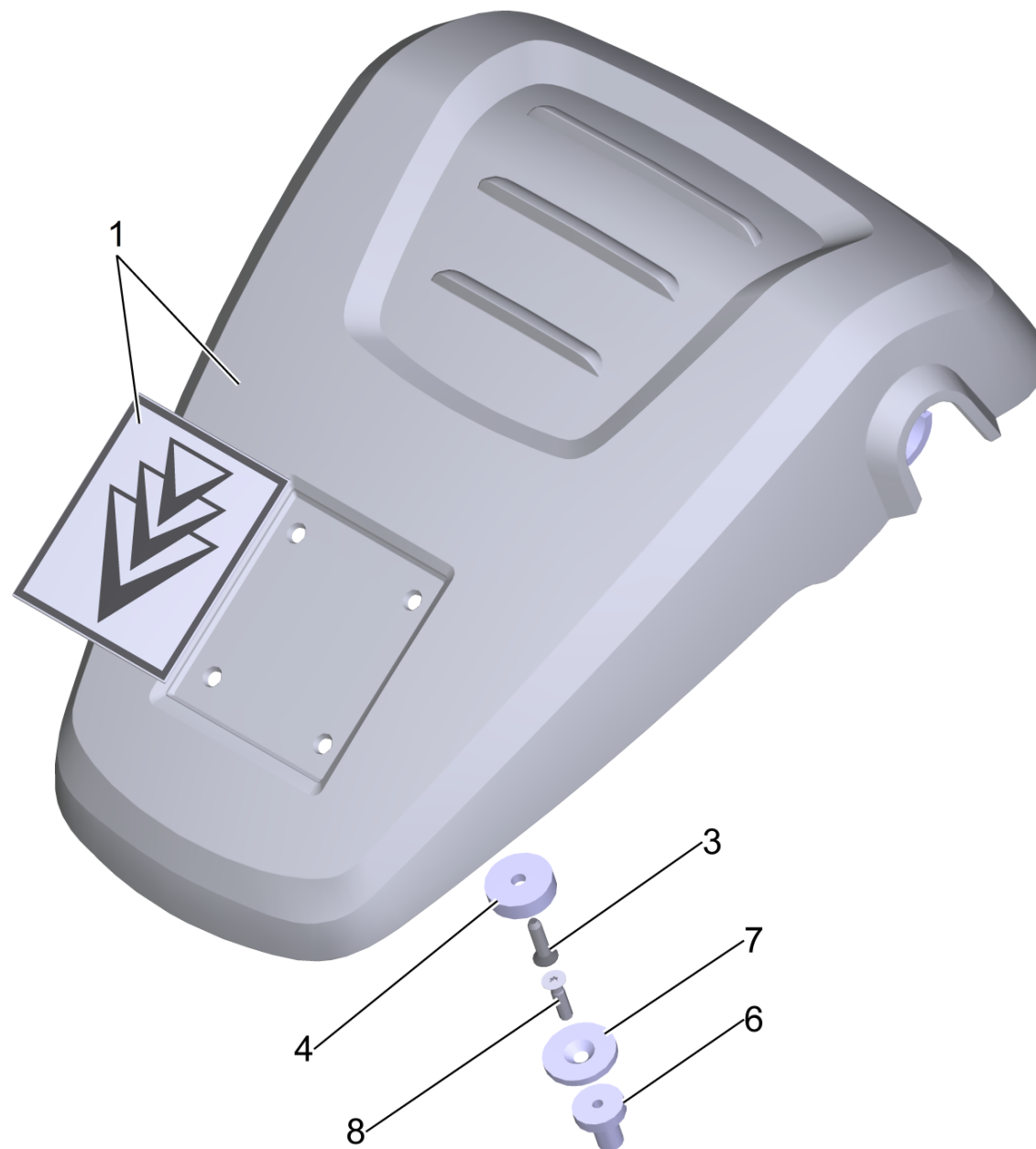
90 Spare parts list HD 9/50-4 400V (5.971-996.0)

POS	Description	Quantity	Unit	valid from	valid until	Remark
10	Frame	1	PC			
20	Pump set	1	PC		12651	Kaercher
20	Pump set Leuco	1	PC	12652		Leuco
30	Motor	1	PC			
40	Accessories	1	PC			
50	Electric control box	1	PC			
60	Add-on kit castor	1	PC			
70	ABS protection against water shortage el	1	PC			



## 10 Frame

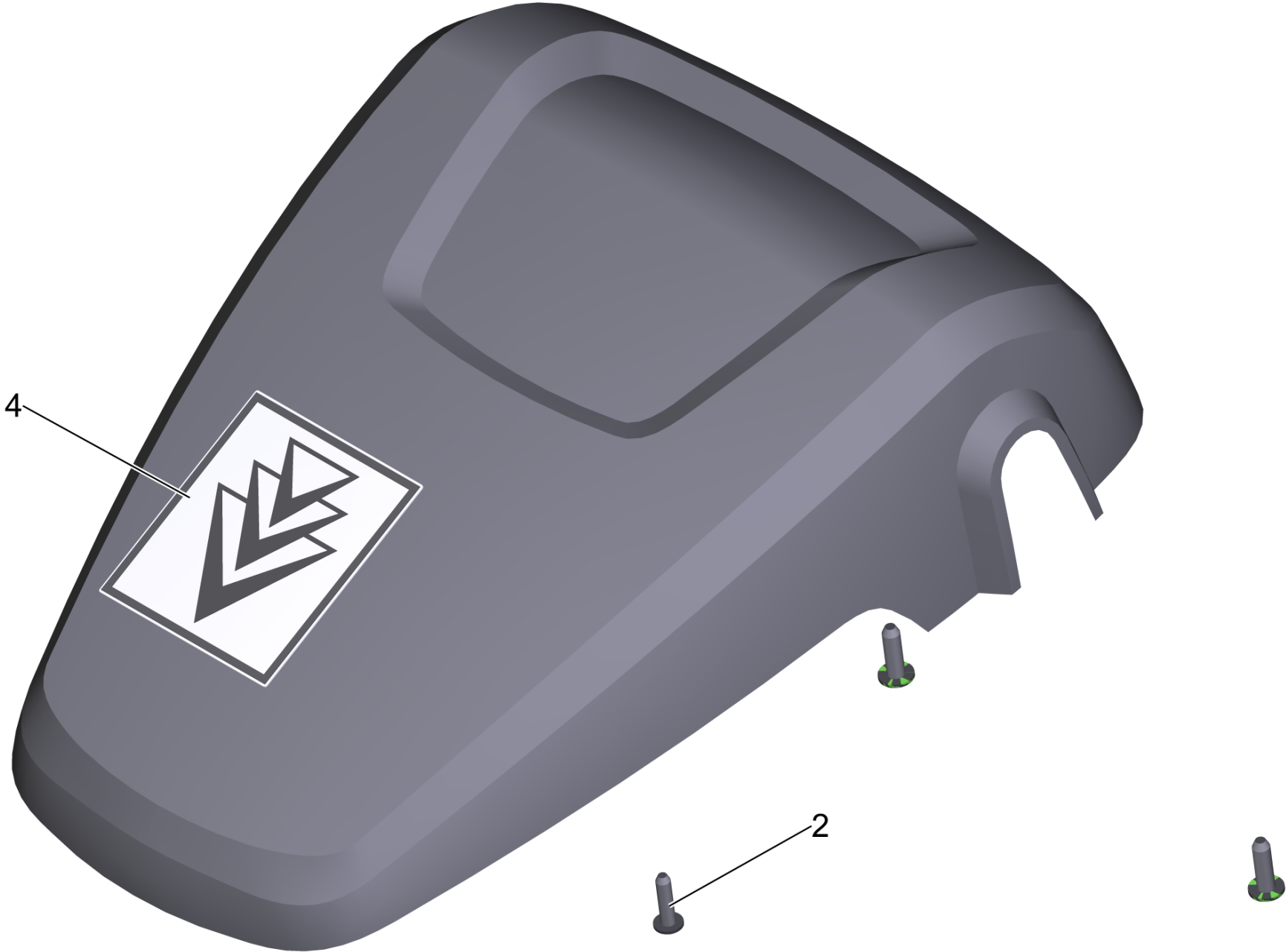
POS	Article no.	Description	Quantity	Unit	Remark
1	2.885-353.0	Spare part set cover grey	1	PC	
2	7.303-112.0	Screw 6x20-10.9-R2R (In6Rd)	4	PC	
3	7.777-999.0	Stockpiling discontinued	1	PC	
4	7.303-046.0	Screw M6x12 -St-R3R (In6Rd)	9	PC	
5	7.306-043.0	Cylinder head screw M8x30-8.8-A2E ISO 4762	4	PC	
6	6.343-137.0	Quick-fastener	2	PC	
7	6.515-002.0	Wheel 305x105	2	PC	Ø 307 mm Polyurethane foam
8	6.339-100.0	Rubber buffer	2	PC	
12	5.110-378.0	Sleeve	2	PC	
13	7.312-289.0	Washer 8-A2 ISO 7093-1	2	PC	
14	7.311-432.0	Hexagon nut M8-1.4305 DIN 985	2	PC	
15	6.647-728.0	Cable with plug 32A 4x4mm <sup>2</sup> x5,5m	1	PC	
15	9.383-111.0	PLUG 32A 380/440V	1	PC	
16	5.017-883.0	Angle for cable	1	PC	
18	5.034-127.0	Retaining bracket grey	1	PC	
19	5.050-913.0	Sheet metal component accessory shed	1	PC	
21	7.312-003.0	Washer 6 -200HV-A3E ISO 7089	2	PC	
22	7.311-425.0	Hexagon nut M6-04-A2E DIN 985	2	PC	
23	7.303-047.0	Screw M6x16 -St-R3R (In6Rd)	2	PC	
24	7.306-192.0	Screw M6x12-A2-70 (In6Rd)	4	PC	
25	5.050-574.0	Sheet metal component electric control b	1	PC	
26	5.052-078.0	Stand grau	1	PC	
40	4.051-284.0	Frame complete grey	1	PC	



## 1 Spare part set cover grey (2.885-353.0)

---

<b>POS</b>	<b>Article no.</b>	<b>Description</b>	<b>Quantity</b>	<b>Unit</b>
1	4.100-586.0	Cover complete only for replacement	1	PC
3	7.303-128.0	Countersunk screw 5x20 -10.9-R2R (In6Rd)	1	PC
4		Magnet F25C-4016	1	PC
6	6.347-150.0	Blind nut	1	PC
7	6.312-142.0	Washer Sch-27vBS	1	PC
8	7.303-223.0	Countersunk screw M 5x20 -A2-70 ISO7046-2 (In6Rd)	1	PC



1 Cover complete only for replacement (4.100-586.0)

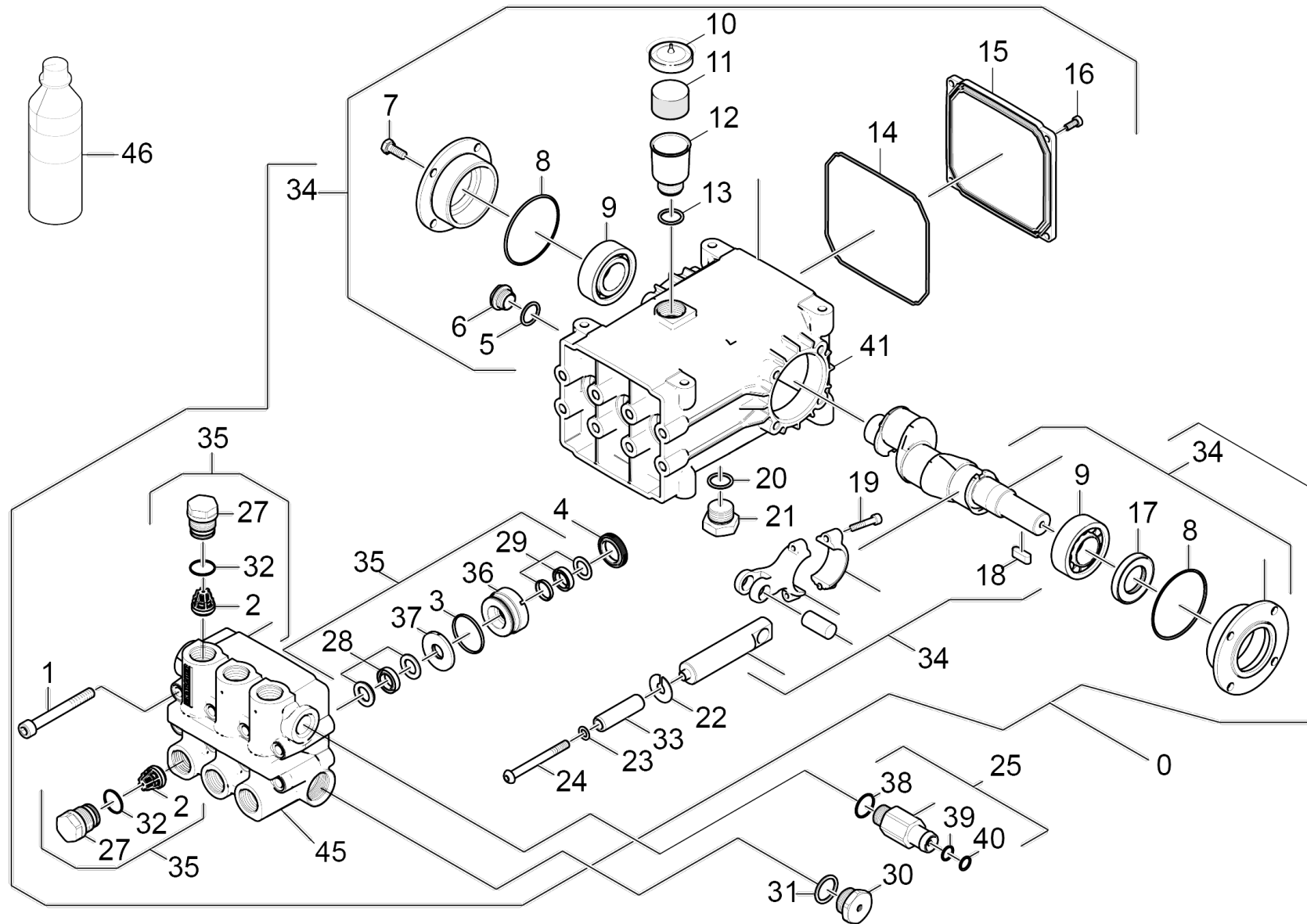
---

<b>POS</b>	<b>Article no.</b>	<b>Description</b>	<b>Quantity</b>	<b>Unit</b>
2	7.303-112.0	Screw 6x20-10.9-R2R (In6Rd)	3	PC
4	5.385-508.0	Label signet clipped XL Professional	1	PC

## 20 Pump set

---

<b>POS</b>	<b>Article no.</b>	<b>Description</b>	<b>Quantity</b>	<b>Unit</b>
21		Piston	1	PC
22		Excess-current	1	PC
23		Water filter	1	PC
25	6.288-016.0	Gear oil 1L	2	PC

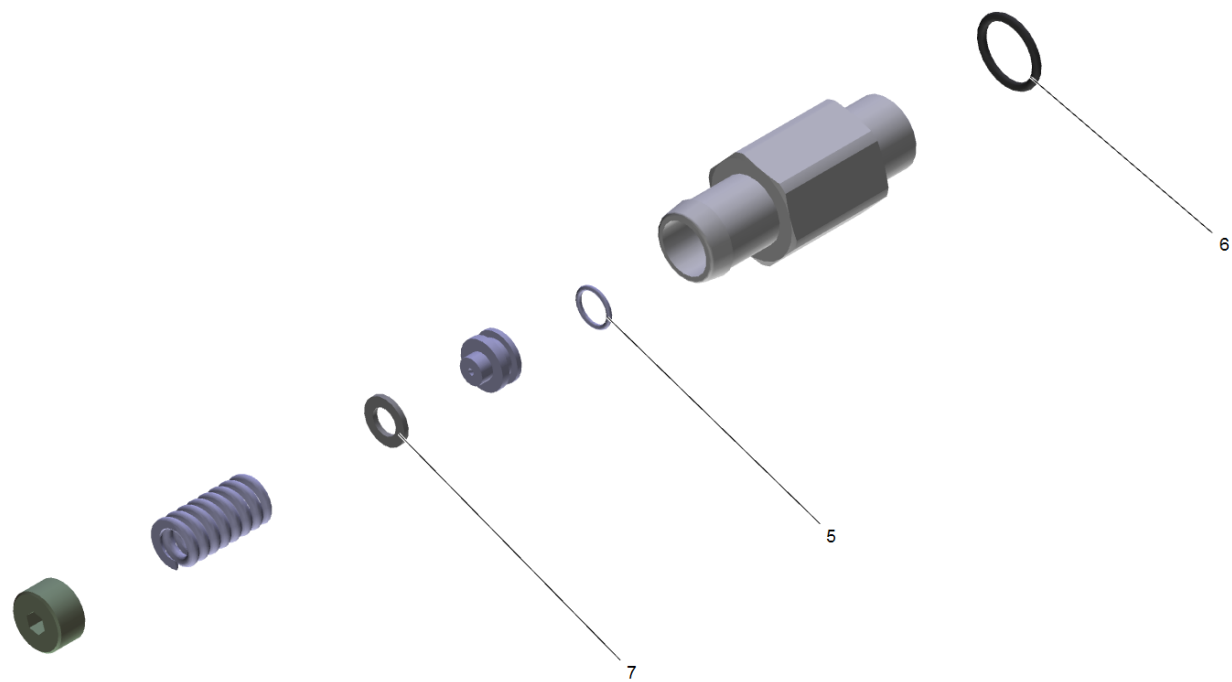


## 21 Piston

POS	Article no.	Description	Quantity	Unit	Remark	Foot note text
0	3.533-134.0	Pump set complete Hub25 D14	1	PC		
1	7.306-807.0	Cylinder head screw M10x85-8.8-A3E ISO 4762	8	PC		
2	2.885-158.0	Spare part set valve	2	PC		3 QTY.
3	6.362-377.0	O-Ring seal 38,0 X 2,0-NBR 70	3	PC		
4	6.367-032.0	Rotary shaft seal 24X 35-NBR	3	PC		
5	6.362-585.0	Seal	1	PC		
6	5.411-062.0	Screw plug	1	PC		
7	7.304-397.0	Hexagonal head screw M8x20-8.8-A2E ISO	8	PC		
8	6.362-887.0	O-Ring seal 65,0 X 2,5	2	PC		
9	6.401-384.0	Cylindere bearing NJ 2206 E P/C3	2	PC		
10	5.064-457.0	Cover plate qusty grey oil	1	PC		
11	5.132-107.0	Plug	1	PC		
12	5.070-194.0	Tank	1	PC		
13	6.362-168.0	O-Ring seal 22,3 X 2,4-NBR 70	1	PC		
14	6.363-257.0	O-Ring seal	1	PC		
15	5.064-154.0	Cover	1	PC		
16	7.306-022.0	Cylinder head screw M6x20-8.8-A2E ISO 4762	4	PC		
17	6.367-099.0	Rotary shaft seal 52x30	1	PC		
18	7.318-038.0	Parallel key A8x7x40-C45+C DIN 6885-1	1	PC		
19	7.306-024.0	Cylinder head screw M6x30-8.8-A2E ISO 4762	6	PC		
20	6.363-319.0	O-Ring seal 21,5X3,2	1	PC		
21	5.411-177.0	Screw plug	1	PC		
22	5.116-327.0	Washer lift 25 D14	3	PC		
23	5.116-370.0	Joint ring	3	PC		
24	7.306-259.0	Screw M6x70 -A4-70 ISO 7380-1	3	PC		
25	4.590-095.0	Safety valve 64 MPa	1	PC		
27	5.583-204.0	Valve screw M 20x1	6	PC		
28	6.365-538.3	Set of gaskets for replacement	3	PC		
29	6.365-539.3	Set of gaskets for replacement	3	PC		

## 21 Piston

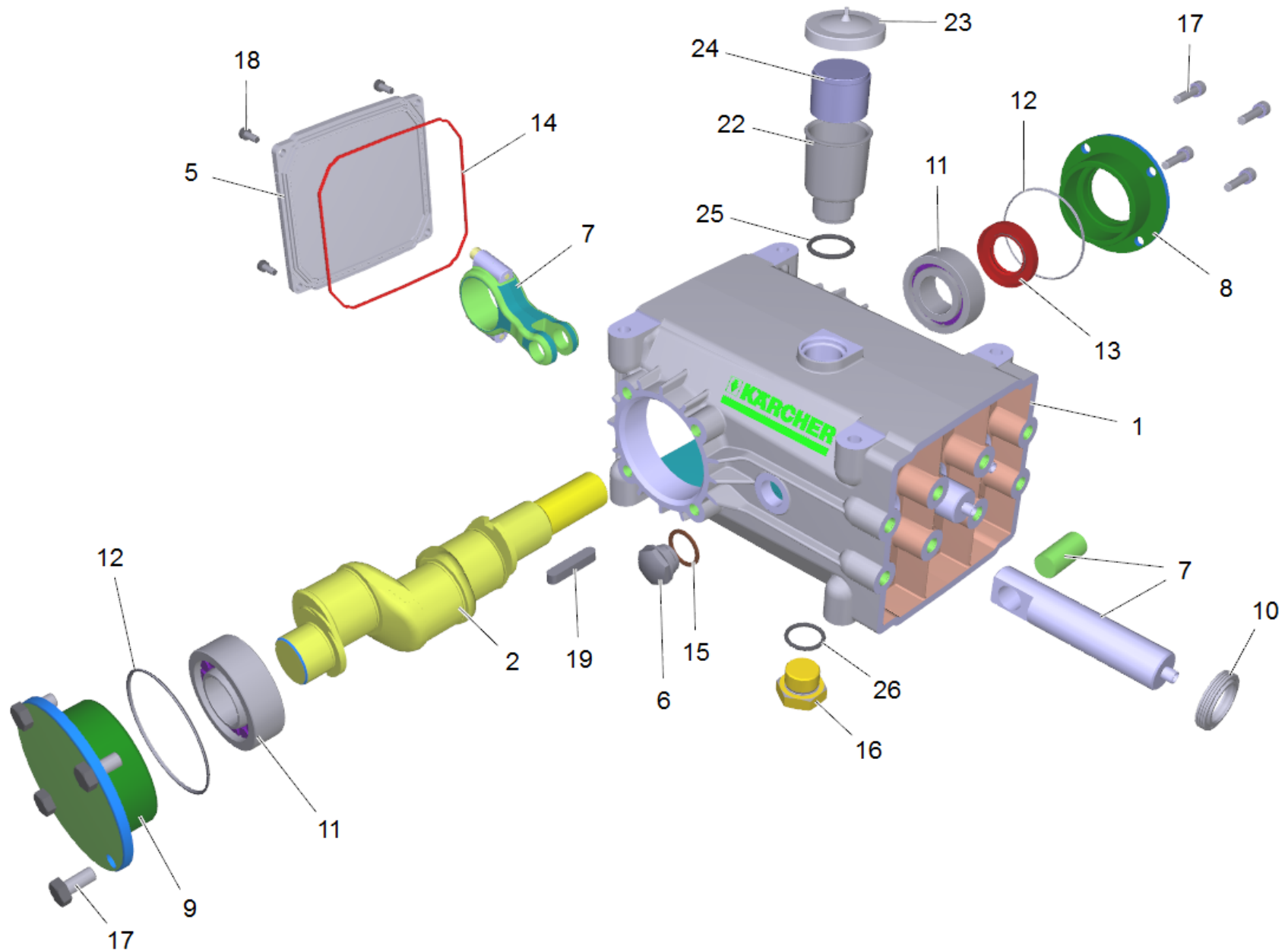
POS	Article no.	Description	Quantity	Unit	Remark	Foot note text
30	5.409-609.0	Drain plug 1"	1	PC		
31	6.363-437.0	O-Ring seal 30x3	1	PC		
32	6.363-513.0	O-Ring seal 14x2 PUR 94	6	PC		
33	5.111-044.0	Sleeve D14	3	PC		
34	4.626-011.0	Gear Hub 25 D14	1	PC		
35	4.550-936.0	Cylinder head complete D14	1	PC	Item 27 4x included	
36	5.511-011.0	Screw plug D14	3	PC		
37	5.112-819.0	Bush D14	3	PC		
38	6.362-079.0	O-Ring seal 18,0 X 2,5	1	PC		
39	6.362-170.0	O-Ring seal 11,3 X 2,4-NBR 70	1	PC		
40	7.312-073.0	Washer 8 -CuZn ISO 7092	1	PC		
41	5.064-151.0	Crankcase	1	PC		
45	4.550-936.0	Cylinder head complete D14	1	PC		
46	6.288-016.0	Gear oil 1L	1	PC		
100	2.885-140.0	Spare parts set industry pump 500 bar	1	PC		



25 Safety valve 64 MPa (4.590-095.0)

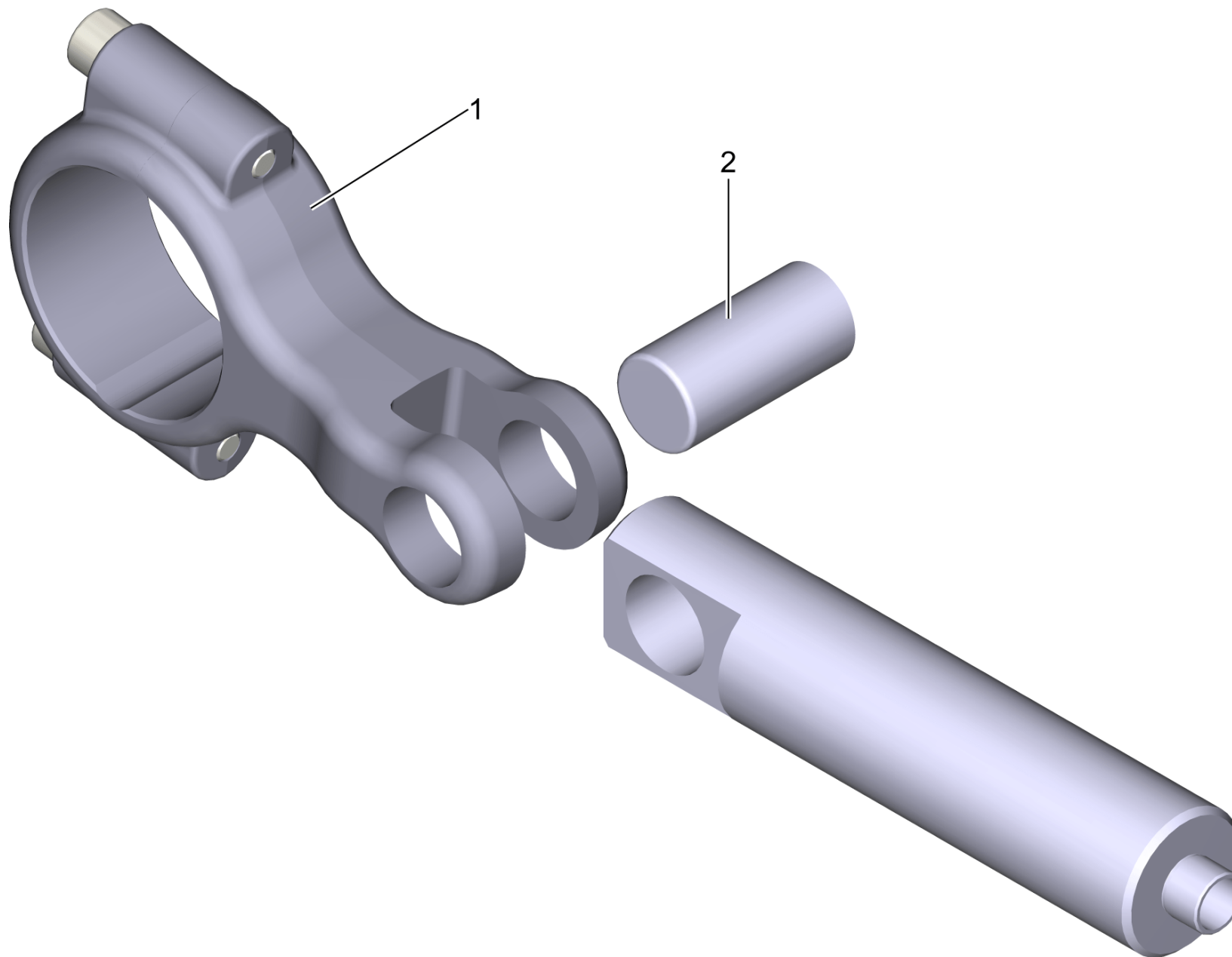
---

POS	Article no.	Description	Quantity	Unit
5	6.362-170.0	O-Ring seal 11,3 X 2,4-NBR 70	1	PC
6	6.362-079.0	O-Ring seal 18,0 X 2,5	1	PC
7	7.312-073.0	Washer 8 -CuZn ISO 7092	1	PC



## 34 Gear Hub 25 D14 (4.626-011.0)

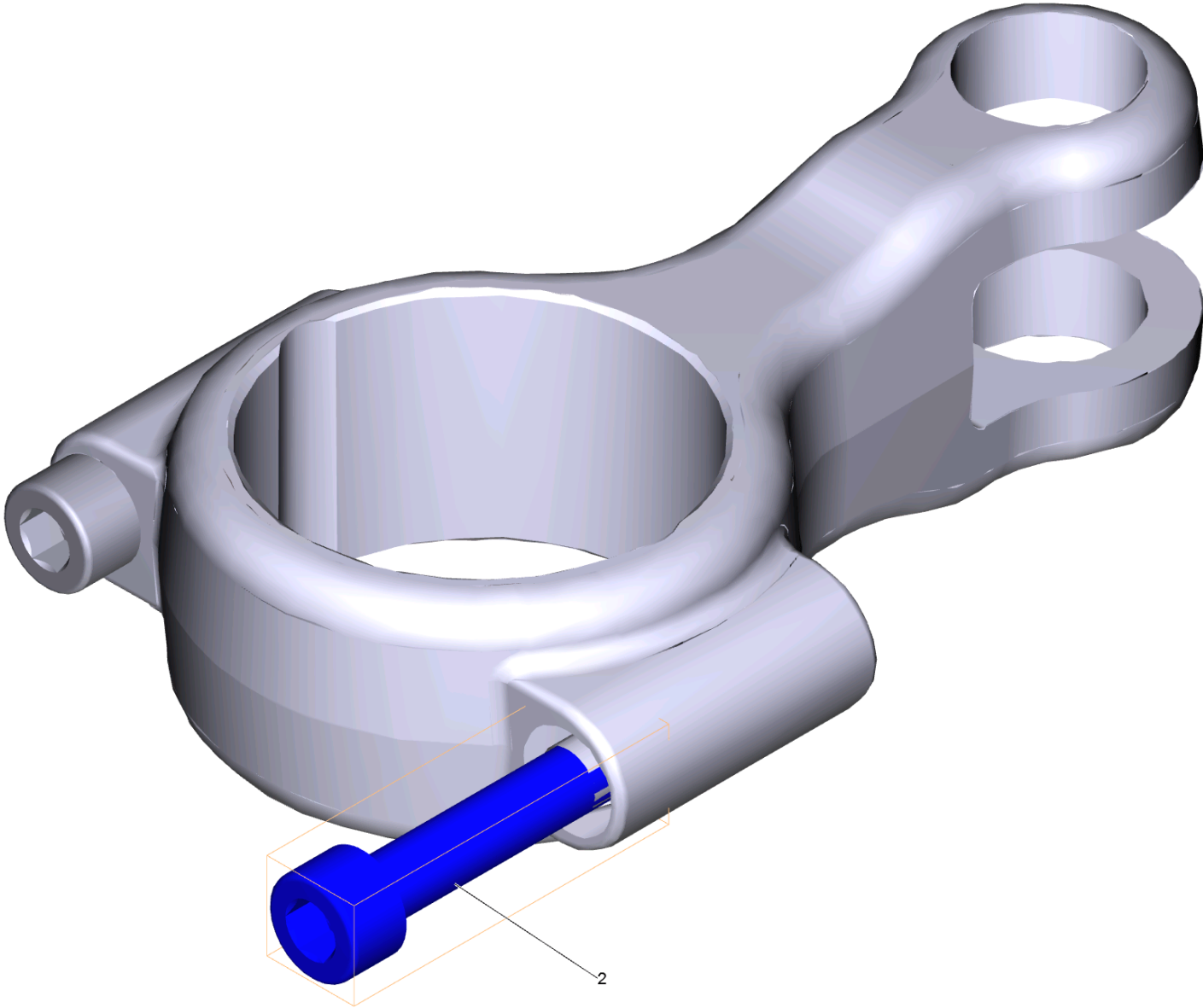
POS	Article no.	Description	Quantity	Unit
1	5.064-151.0	Crankcase	1	PC
2	5.103-036.0	Crankshaft lift 25	1	PC
5	5.064-154.0	Cover	1	PC
6	5.411-062.0	Screw plug	1	PC
7	4.880-006.0	Spare part set piston rod	3	PC
8	5.064-218.0	Bearing cover A	1	PC
9	5.064-219.0	Bearing cover B	1	PC
10	6.367-032.0	Rotary shaft seal 24X 35-NBR	3	PC
11	6.401-384.0	Cylindere bearing NJ 2206 E P/C3	2	PC
12	6.362-887.0	O-Ring seal 65,0 X 2,5	2	PC
13	6.367-099.0	Rotary shaft seal 52x30	1	PC
14	6.363-257.0	O-Ring seal	1	PC
15	6.362-585.0	Seal	1	PC
16	5.411-177.0	Screw plug	1	PC
17	7.304-397.0	Hexagonal head screw M8x20-8.8-A2E ISO	8	PC
18	7.306-022.0	Cylinder head screw M6x20-8.8-A2E ISO 4762	4	PC
19	7.318-038.0	Parallel key A8x7x40-C45+C DIN 6885-1	1	PC
22	5.070-194.0	Tank	1	PC
23	5.064-457.0	Cover plate qusty grey oil	1	PC
24	5.132-107.0	Plug	1	PC
24	5.132-187.0	Plug	1	PC
25	6.362-168.0	O-Ring seal 22,3 X 2,4-NBR 70	1	PC
26	6.363-319.0	O-Ring seal 21,5X3,2	1	PC



7 Spare part set piston rod (4.880-006.0)

---

<b>POS</b>	<b>Article no.</b>	<b>Description</b>	<b>Quantity</b>	<b>Unit</b>
1	4.551-008.0	Piston rod complete	1	PC
2	6.316-128.0	Bolt D16 x33	1	PC

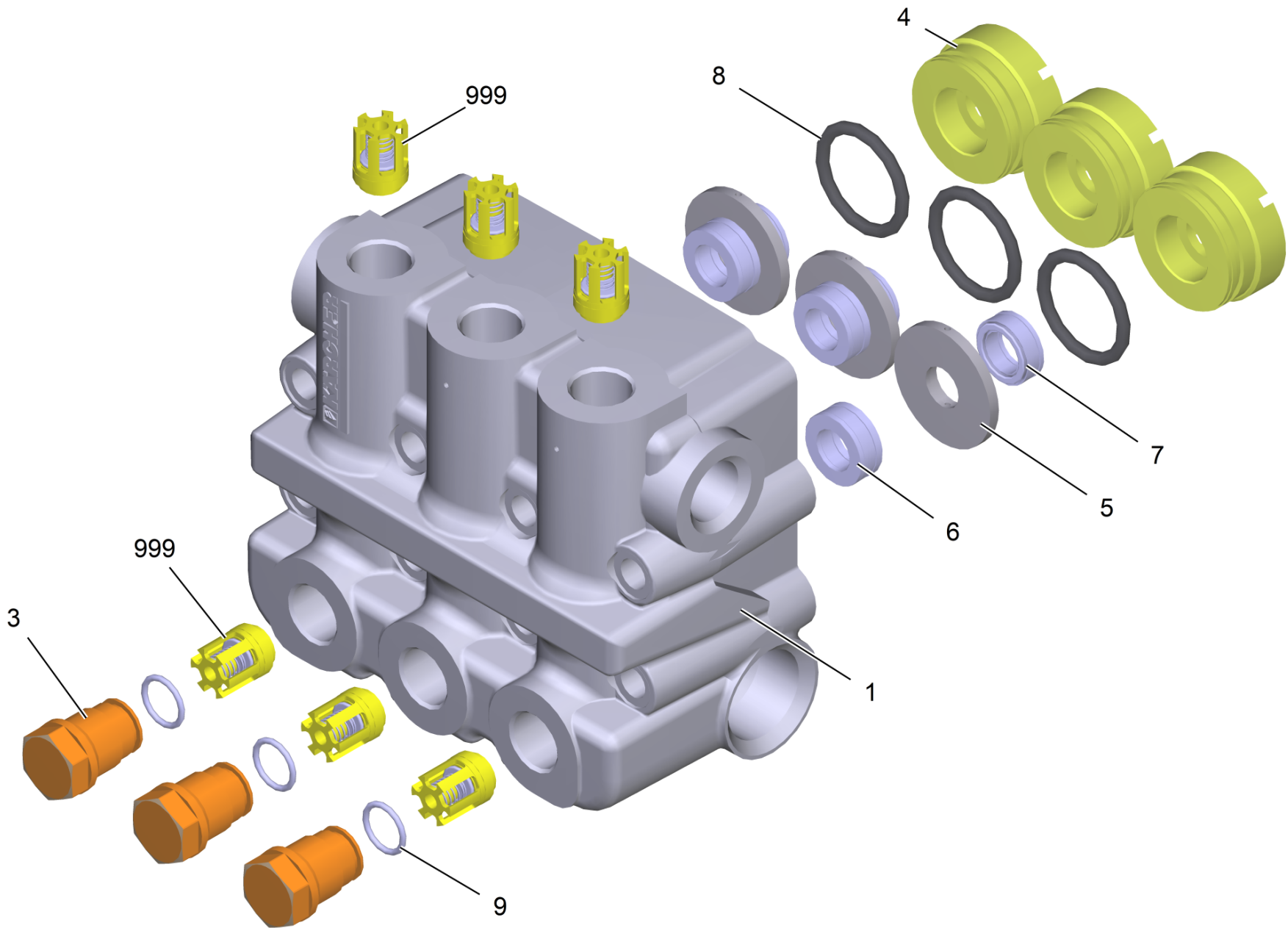


1 Piston rod complete (4.551-008.0)

---

POS	Article no.	Description	Quantity	Unit
2	7.306-024.0	Cylinder head screw M6x30-8.8-A2E ISO 4762	2	PC

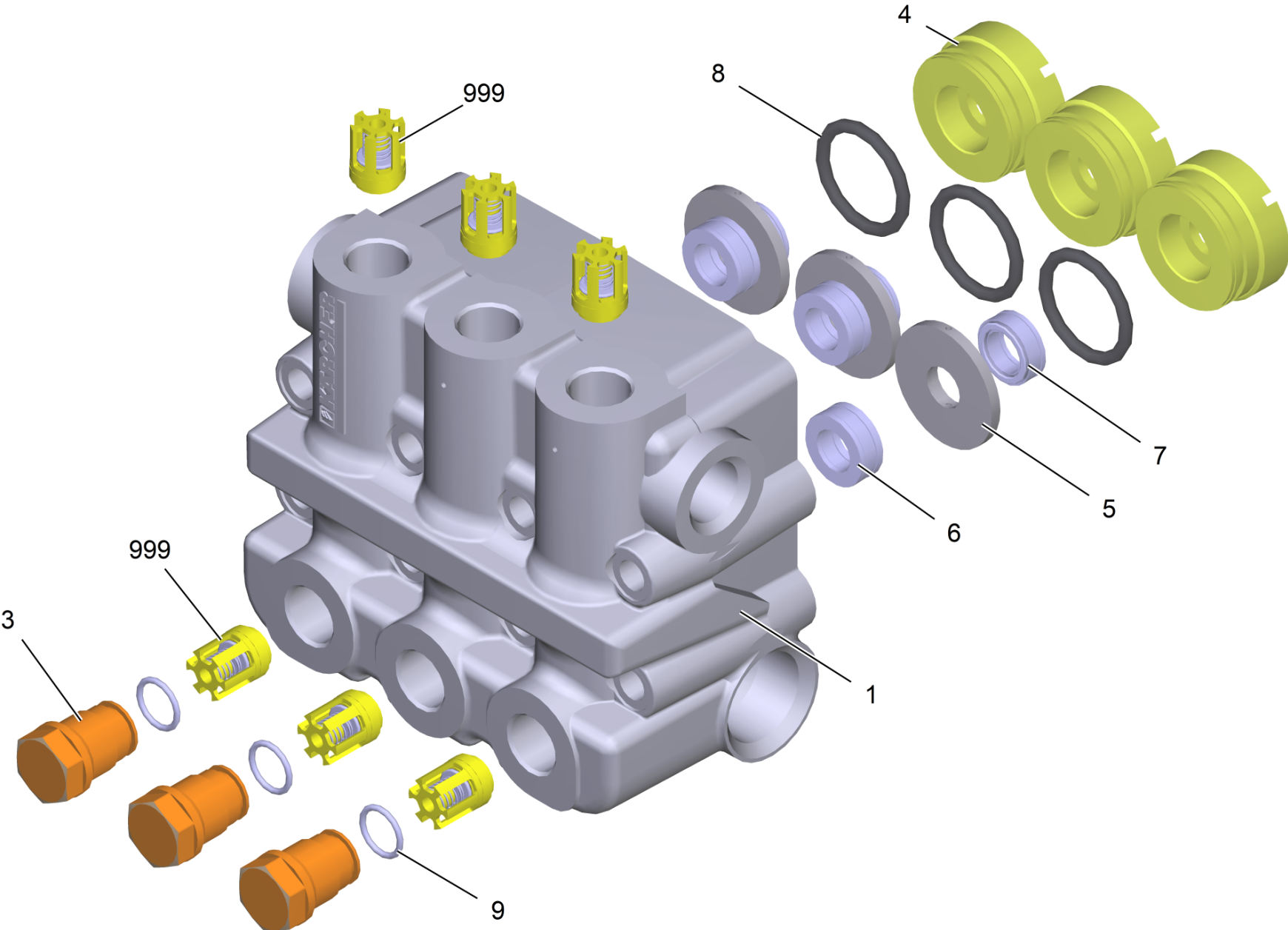
---



### 35 Cylinder head complete D14 (4.550-936.0)

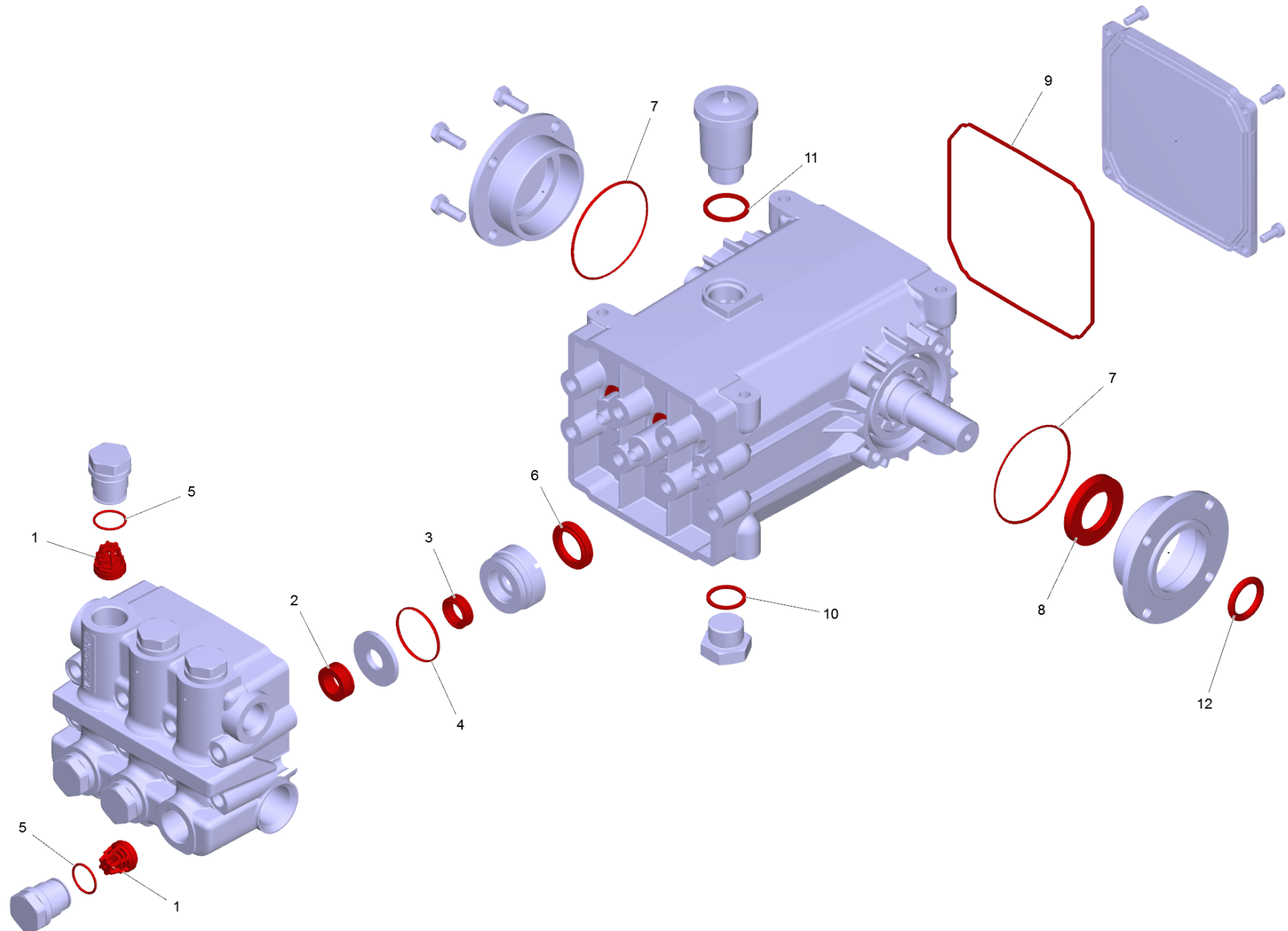
---

<b>POS</b>	<b>Article no.</b>	<b>Description</b>	<b>Quantity</b>	<b>Unit</b>
1	5.550-366.0	Cylinder head D14	1	PC
2	2.885-158.0	Spare part set valve	1	PC
3	5.583-204.0	Valve screw M 20x1	4	PC
4	5.511-011.0	Screw plug D14	3	PC
5	5.112-819.0	Bush D14	3	PC
6	6.365-538.3	Set of gaskets for replacement	3	PC
7	6.365-539.3	Set of gaskets for replacement	3	PC
8	6.362-377.0	O-Ring seal 38,0 X 2,0-NBR 70	3	PC
9	6.363-513.0	O-Ring seal 14x2 PUR 94	4	PC



45 Cylinder head complete D14 (4.550-936.0)

POS	Article no.	Description	Quantity	Unit
1	5.550-366.0	Cylinder head D14	1	PC
2	2.885-158.0	Spare part set valve	1	PC
3	5.583-204.0	Valve screw M 20x1	4	PC
4	5.511-011.0	Screw plug D14	3	PC
5	5.112-819.0	Bush D14	3	PC
6	6.365-538.3	Set of gaskets for replacement	3	PC
7	6.365-539.3	Set of gaskets for replacement	3	PC
8	6.362-377.0	O-Ring seal 38,0 X 2,0-NBR 70	3	PC
9	6.363-513.0	O-Ring seal 14x2 PUR 94	4	PC



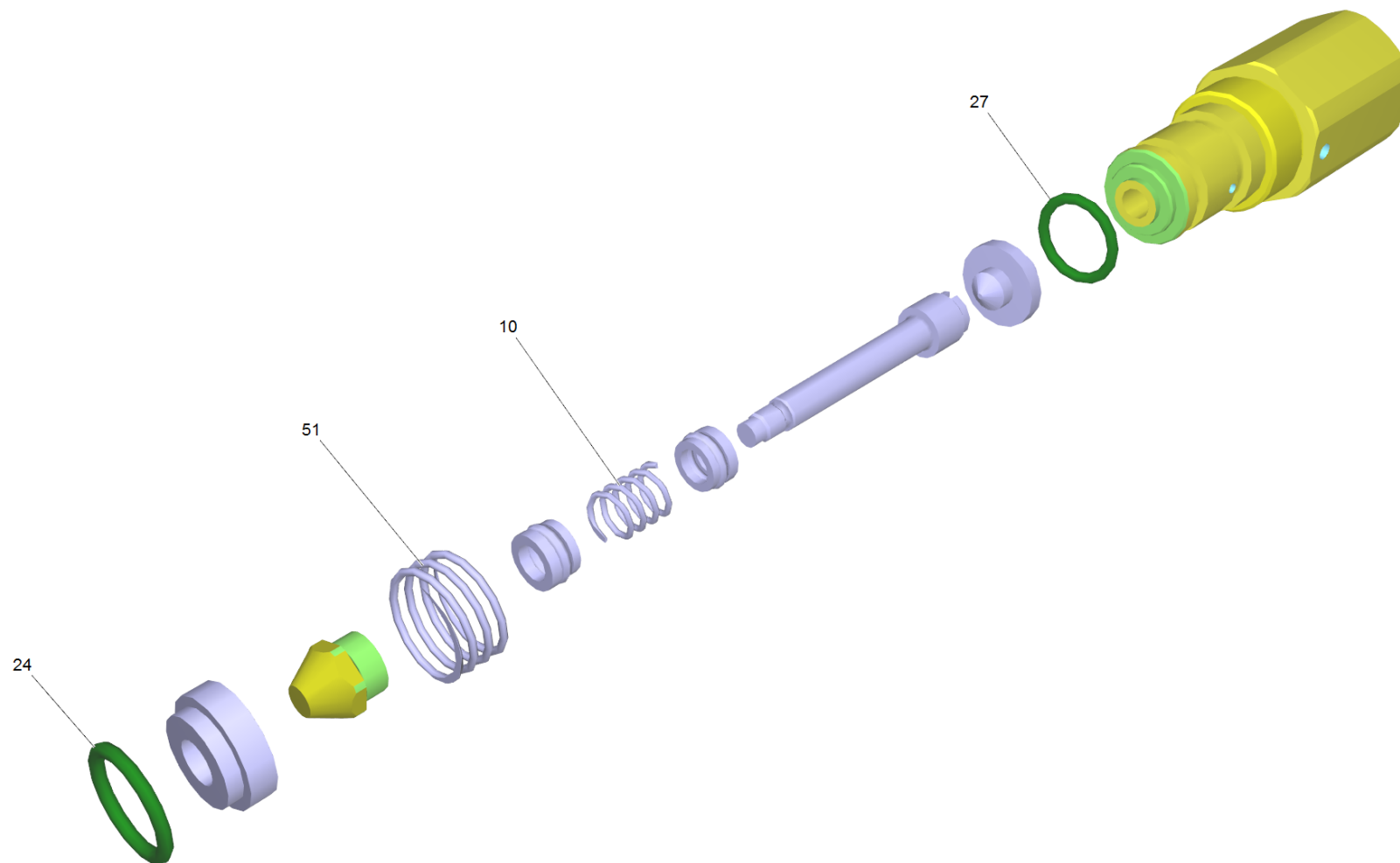
100 Spare parts set industry pump 500 bar (2.885-140.0)

POS	Article no.	Description	Quantity	Unit	Foot note text
1	2.885-158.0	Spare part set valve	2	PC	3 QTY.
2	6.365-538.3	Set of gaskets for replacement	3	PC	
3	6.365-539.3	Set of gaskets for replacement	3	PC	
4	6.362-377.0	O-Ring seal 38,0 X 2,0-NBR 70	3	PC	
5	6.363-513.0	O-Ring seal 14x2 PUR 94	6	PC	
6	6.367-032.0	Rotary shaft seal 24X 35-NBR	3	PC	
7	6.362-887.0	O-Ring seal 65,0 X 2,5	2	PC	
8	6.367-099.0	Rotary shaft seal 52x30	1	PC	
9	6.363-257.0	O-Ring seal	1	PC	
10	6.362-168.0	O-Ring seal 22,3 X 2,4-NBR 70	1	PC	
11	6.363-319.0	O-Ring seal 21,5X3,2	1	PC	
12	6.363-328.0	O-Ring seal 23.16x5.33	1	PC	



## 22 Excess-current

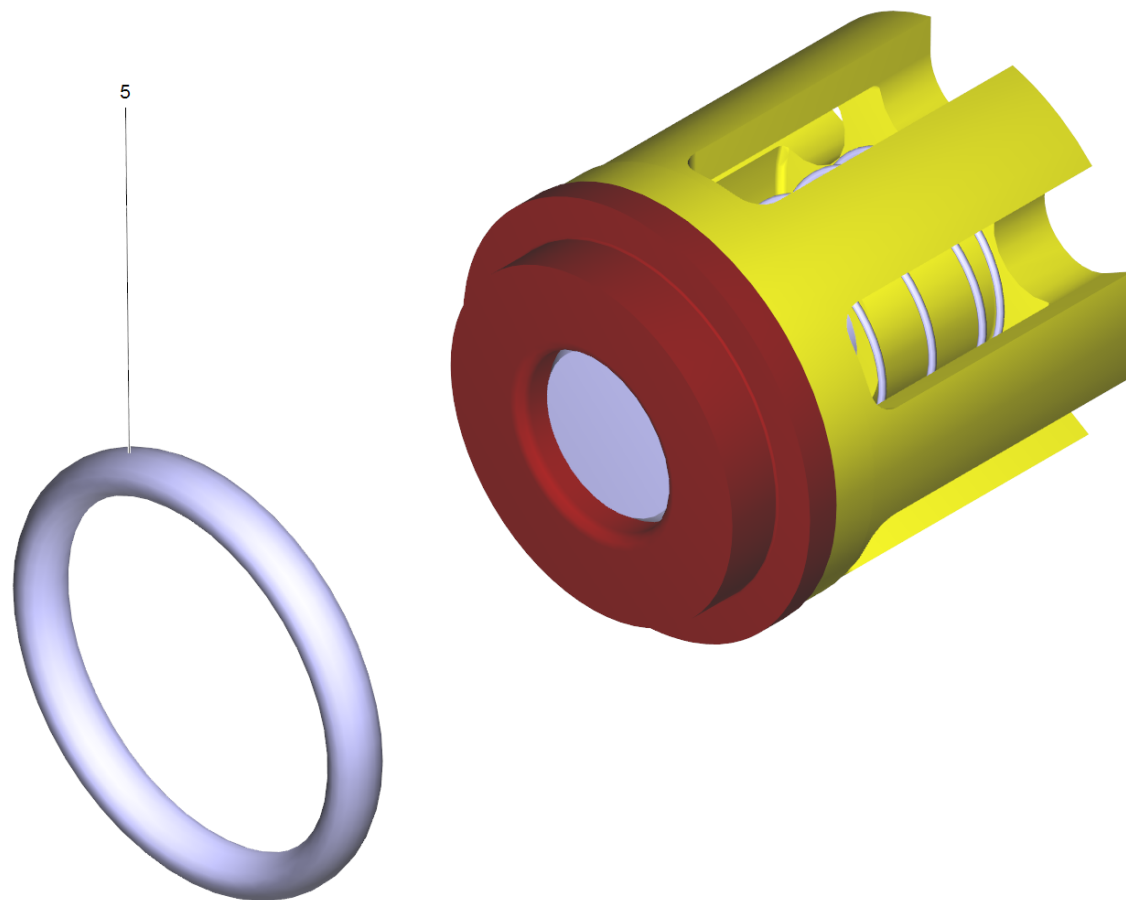
POS	Article no.	Description	Quantity	Unit
0	4.580-810.0	Excess-current complete 50 MPa	1	PC
1	6.363-006.0	O-Ring seal 20X2,8	1	PC
2	6.362-511.0	O-Ring seal 31,47X 1,78	1	PC
3	6.363-453.0	O-Ring seal 29.75 x 3,53	1	PC
4	6.362-161.0	O-Ring seal 19,3 X 2,4	1	PC
5	6.362-579.0	O-Ring seal 17,5 X 3,5	1	PC
8	2.885-113.0	Spare parts set excess-current only for	1	PC
10	5.322-103.0	Handle	1	PC
11	6.444-955.0	Nut	1	PC
	<b>Item text1:</b> replaced by 7.311-002.0			
11	7.311-002.0	Hexagon nut M5 -6-A2E ISO 4032	1	PC
12	7.307-017.0	Threaded pin M5x40-St-45H-A2E ISO 4026	1	PC
13	5.304-070.0	Hexagonal head screw	1	PC
14	7.401-921.0	Sphere 4 G20 -1.4034 DIN 5401	1	PC
15	5.311-204.0	Hexagon nut M22x1,5	1	PC
16	5.367-003.0	Diaphragm	1	PC
17	2.885-163.0	Spare parts set control piston 50 MPa	1	PC
18	4.580-740.0	Valve complete	1	PC
19	5.332-963.0	Helical spring 50 MPa	1	PC
20	6.421-357.0	Pressure gauge 0-80 MPa	1	PC
21	5.402-731.0	Screw union	1	PC
22	6.363-420.0	O-Ring seal 18,72 x 2,62 PUR 94	1	PC
23	5.769-201.0	Control injector	1	PC
24	5.304-102.0	Hollow screw	1	PC
25	5.304-096.0	Hollow screw intake	1	PC
26	5.584-145.0	Valve pin excess-current	1	PC
27	5.582-142.0	Bush	1	PC
28	5.404-082.0	Hollow screw	1	PC
29	5.401-313.0	Screw connector part	1	PC
30	4.744-234.0	Switch complete	1	PC



8 Spare parts set excess-current only for (2.885-113.0)

---

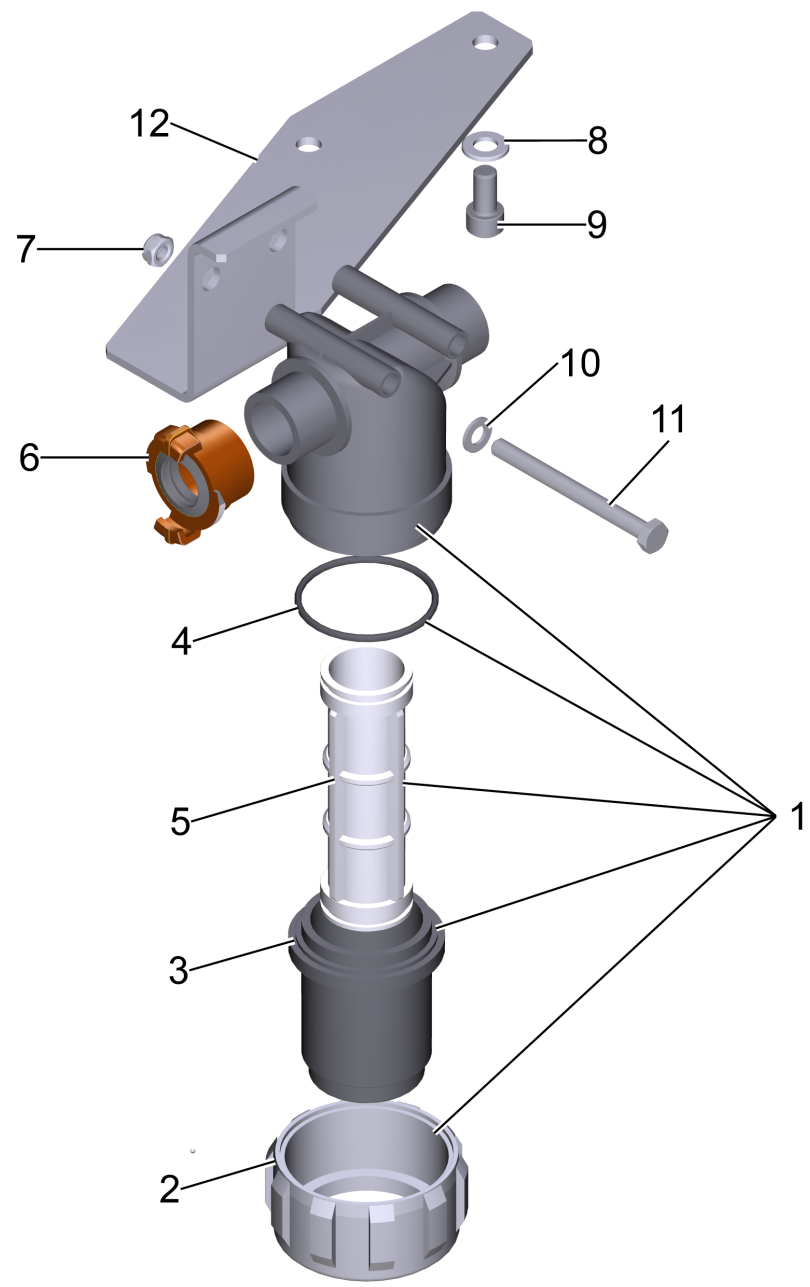
<b>POS</b>	<b>Article no.</b>	<b>Description</b>	<b>Quantity</b>	<b>Unit</b>
10	5.332-999.0	Helical spring	1	PC
24	6.363-372.0	O-Ring seal 13x2 PUR 94	1	PC
27	6.363-366.0	O-Ring seal 15,54 x 2,62 PUR 94	1	PC
51	5.332-557.0	Pressure spring	1	PC



18 Valve complete (4.580-740.0)

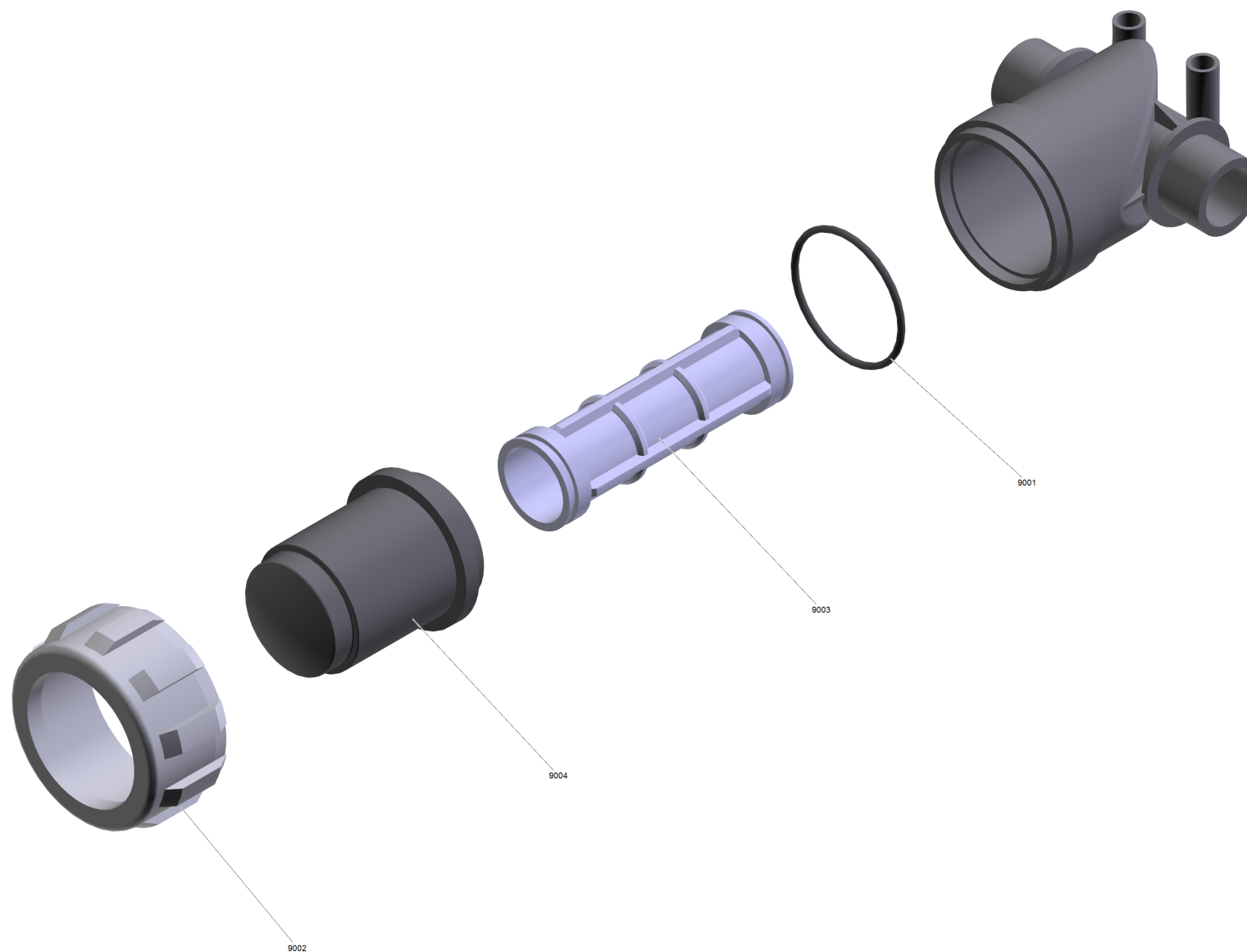
---

POS	Article no.	Description	Quantity	Unit
5	6.363-372.0	O-Ring seal 13x2 PUR 94	1	PC



## 23 Water filter

POS	Article no.	Description	Quantity	Unit
1	6.415-960.0	Water filter complete	1	PC
2	6.392-980.0	Union nut grey only for replacement	1	PC
3	6.414-688.0	Filter cup	1	PC
4	6.363-166.0	O-Ring seal	1	PC
5	6.414-666.0	Filter cartridge only for replacement	1	PC
6	6.388-458.0	Hose coupling	1	PC
7	7.311-432.0	Hexagon nut M8-1.4305 DIN 985	2	PC
8	7.312-066.0	Washer 10 -A2 ISO 7089	4	PC
9	7.306-234.0	Cylinder head screw M10x20-A4-70 ISO 4762	2	PC
10	7.312-017.0	Washer 8-A2 ISO 7089	2	PC
11	7.304-060.0	Hexagonal head screw M 8x90-A2-70 ISO 4	2	PC
12	5.052-109.0	Sheet metal component holder Leuco	1	PC



## 1 Water filter complete (6.415-960.0)

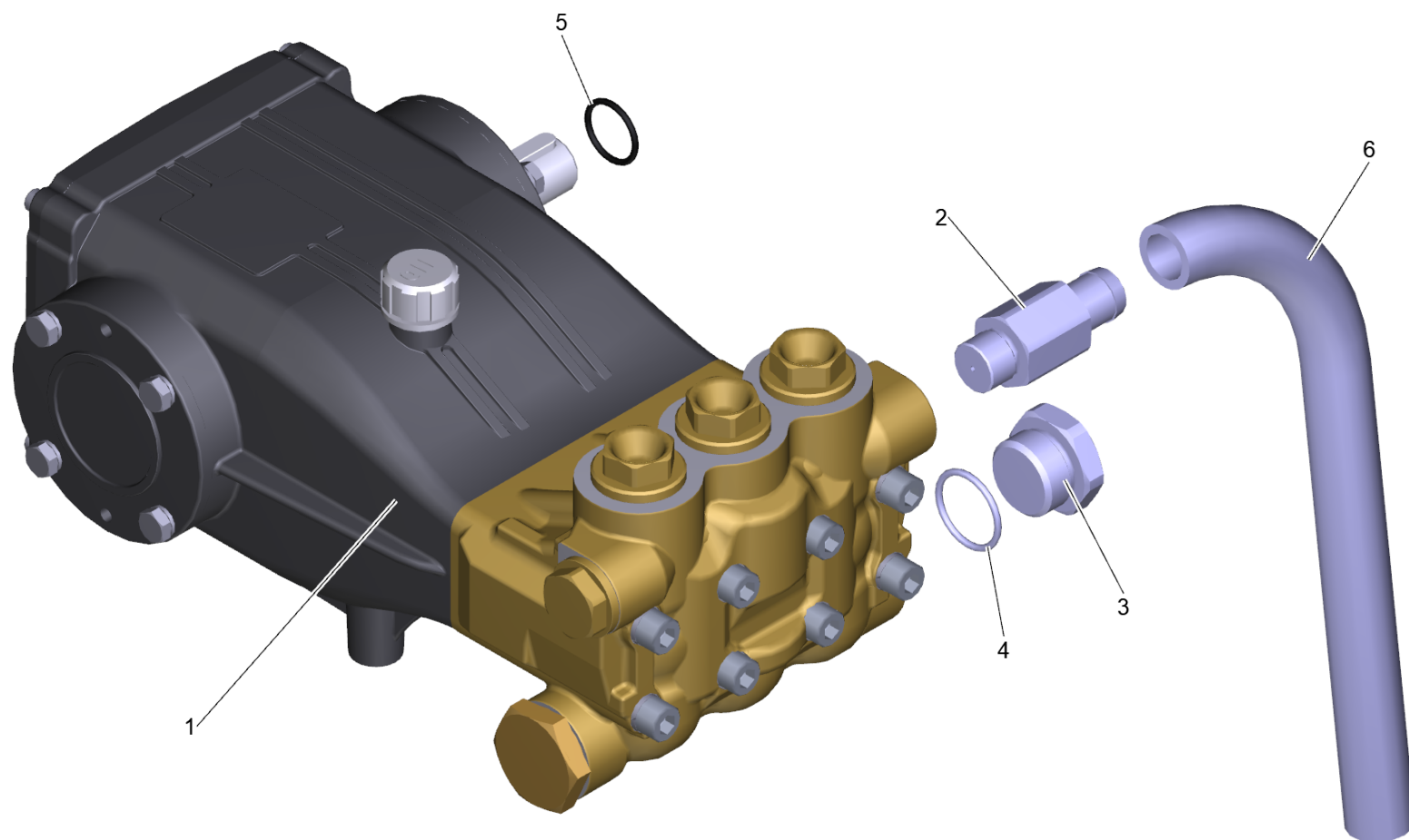
---

<b>POS</b>	<b>Article no.</b>	<b>Description</b>	<b>Quantity</b>	<b>Unit</b>
9001	6.363-166.0	O-Ring seal	1	PC
9002	6.392-980.0	Union nut grey only for replacement	1	PC
9003	6.414-666.0	Filter cartridge only for replacement	1	PC
9004	6.414-688.0	Filter cup	1	PC

20 Pump set Leuco

---

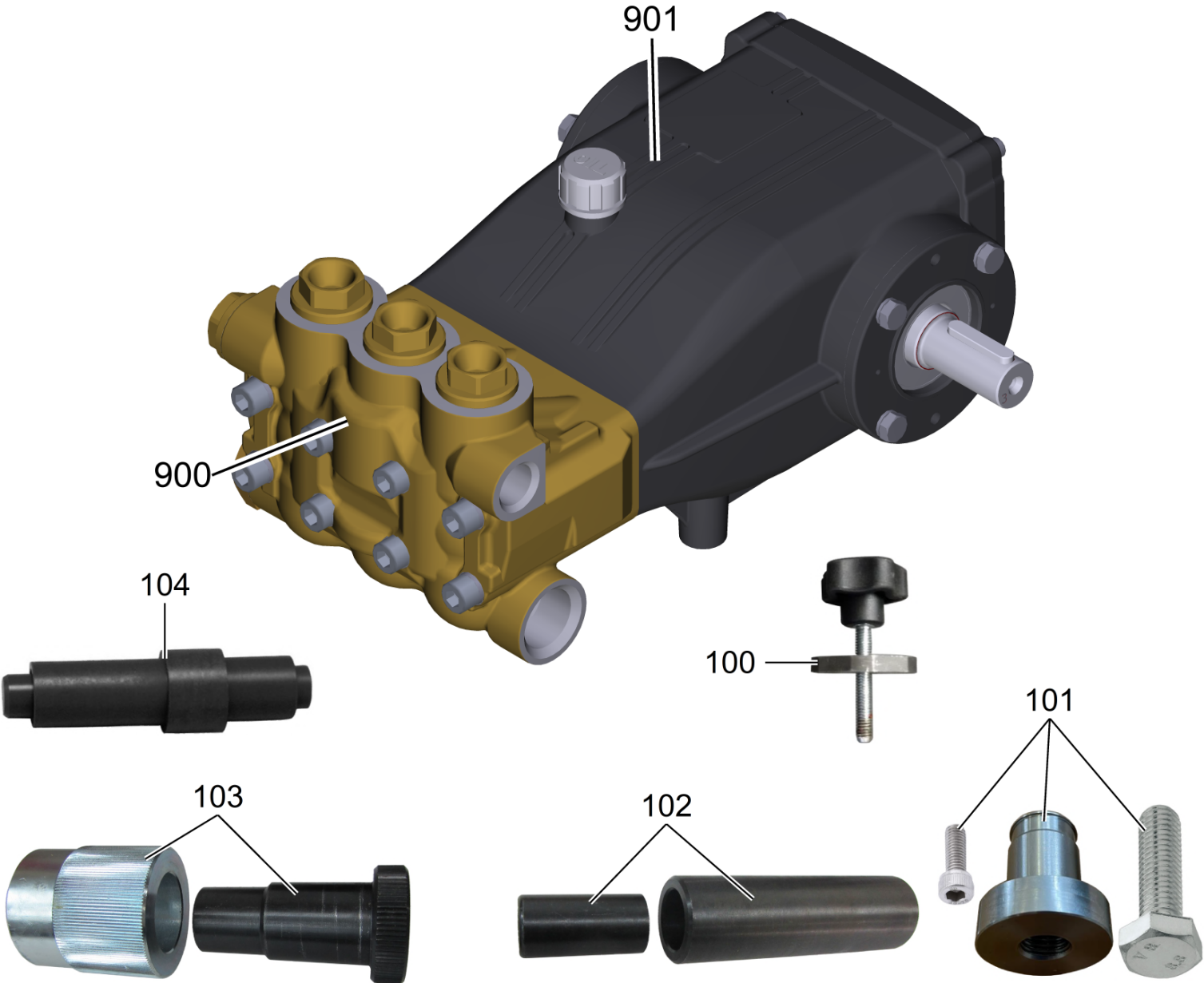
<b>POS</b>	<b>Article no.</b>	<b>Description</b>	<b>Quantity</b>	<b>Unit</b>
21		Piston Leuco	1	PC
22		Excess-current	1	PC
23		Water filter	1	PC
25	6.288-016.0	Gear oil 1L	2	PC



## 21 Piston Leuco

---

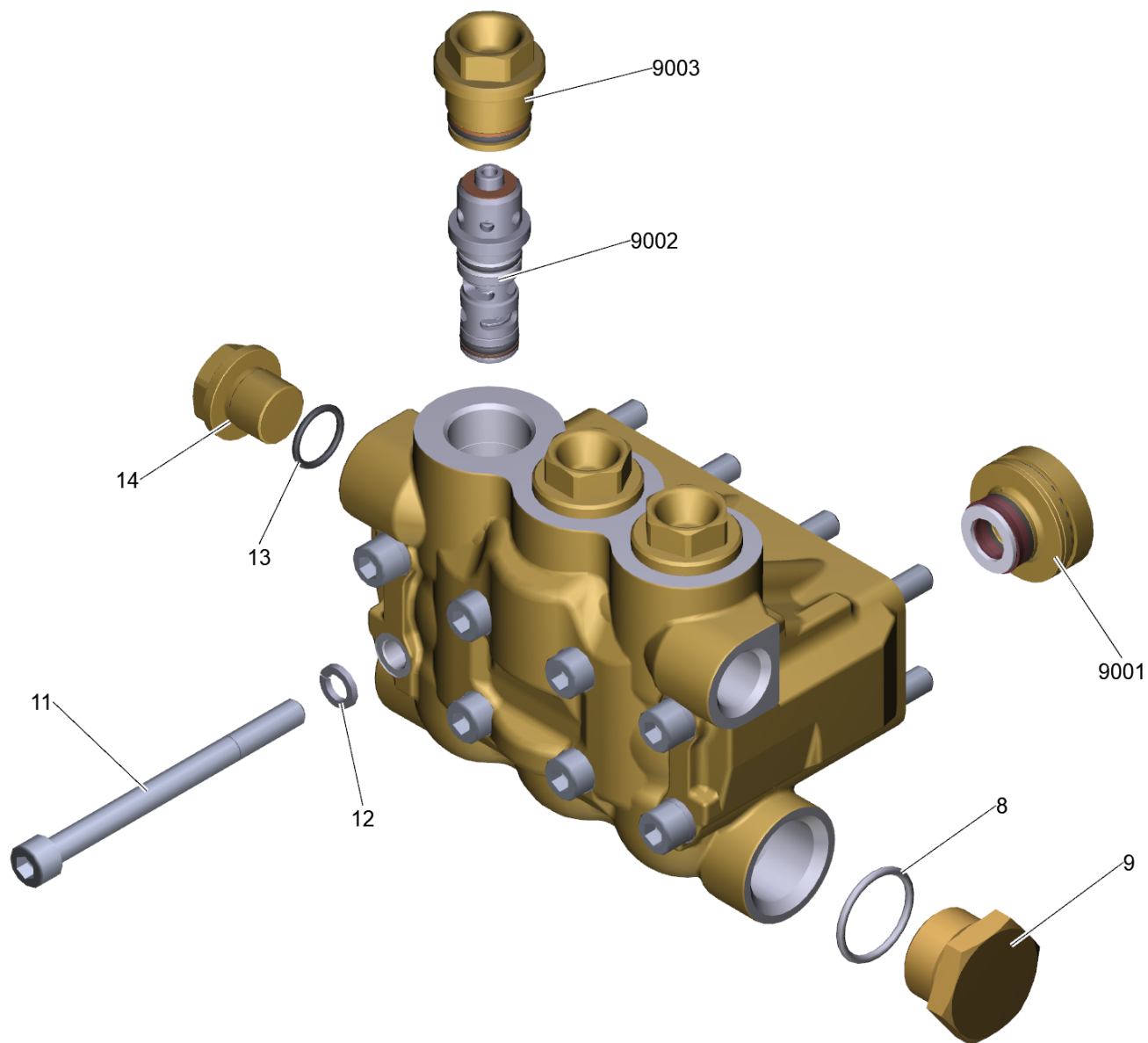
<b>POS</b>	<b>Article no.</b>	<b>Description</b>	<b>Quantity</b>	<b>Unit</b>
1		Pump Leuco ET5R950	1	PC
2	4.590-095.0	Safety valve 64 MPa	1	PC
3	5.409-609.0	Drain plug 1"	1	PC
4	6.363-437.0	O-Ring seal 30x3	1	PC
5	6.363-328.0	O-Ring seal 23.16x5.33	1	PC
6	6.388-293.0	Elbow hose	1	PC



## 1 Pump Leuco ET5R950

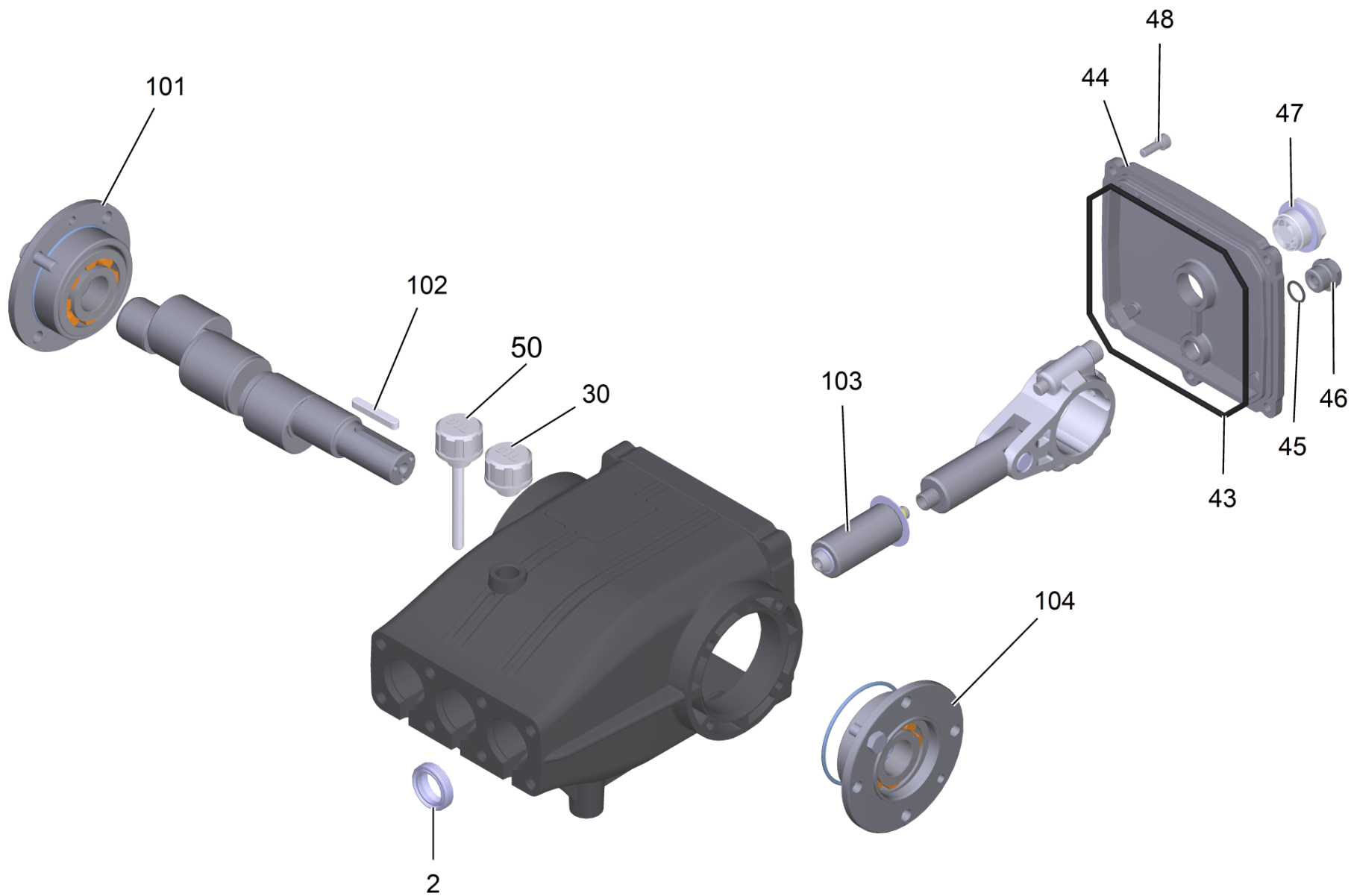
---

<b>POS</b>	<b>Article no.</b>	<b>Description</b>	<b>Quantity</b>	<b>Unit</b>
100	6.100-463.0	Tool - extractor valve	1	PC
101	6.100-645.0	Spare parts set special tools	1	PC
102	6.100-697.0	Assembly tool seal oil	1	PC
103	6.100-698.0	Assembly tool seal high pressure	1	PC
104	5.901-106.0	Assembly mandril A=23,5mm-B=16mm	1	PC
900	6.100-594.0	Cylinder head cpl. Leuco KRP1350/1550	1	PC
901	6.100-600.0	Gear cpl. Leuco KRP1550	1	PC



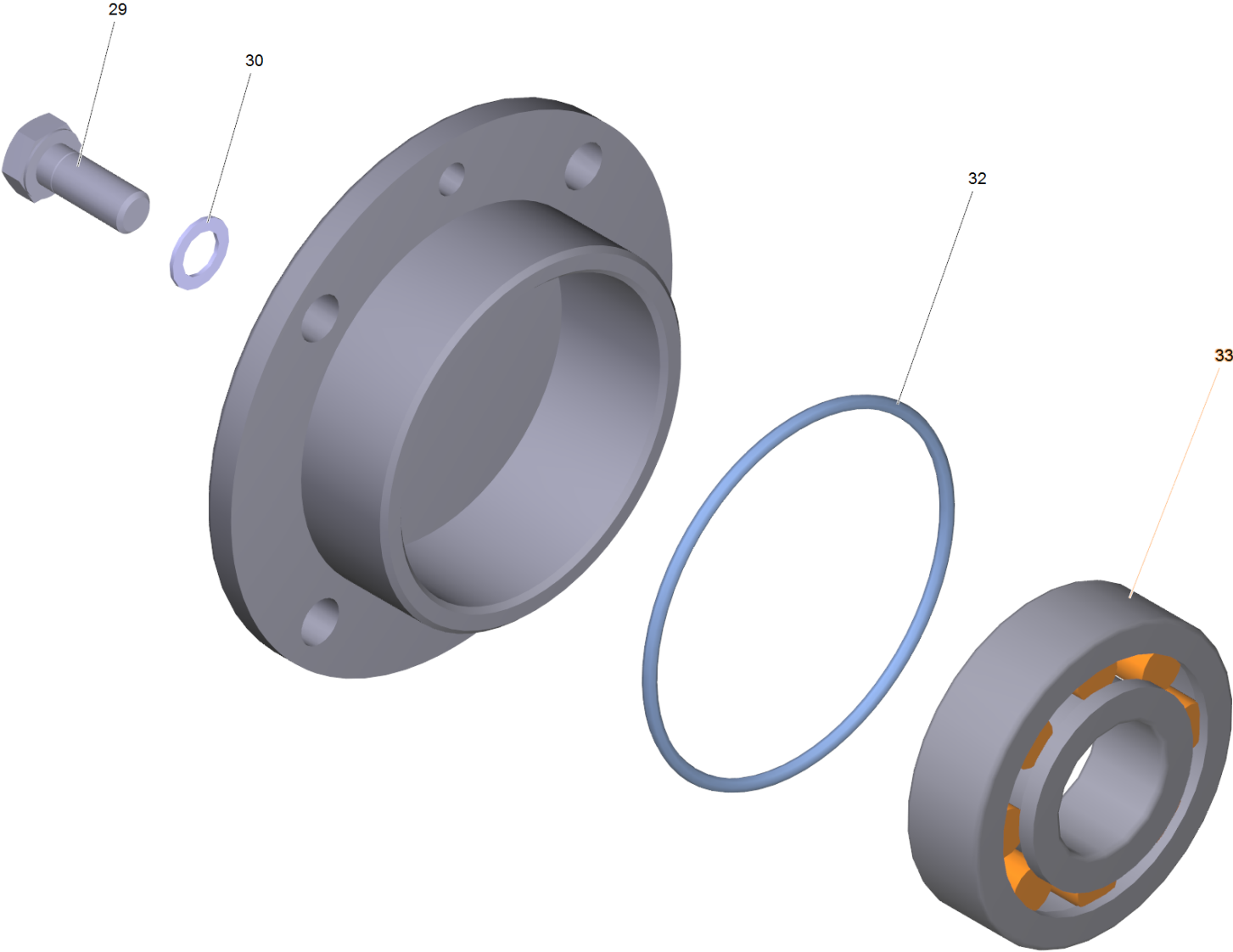
900 Cylinder head cpl. Leuco KRP1350/1550 (6.100-594.0)

POS	Article no.	Description	Quantity	Unit	Foot note text
8	6.100-576.0	O-Ring seal 3x30mm	1	PC	
9	6.100-577.0	Screw plug G1"	1	PC	
11	6.100-578.0	Screw M10x120	8	PC	
12	7.313-013.0	Spring washer B10-1.4310 DIN 127	8	PC	
13	6.100-579.0	O-Ring seal 2,62x18,72mm	1	PC	
14	6.100-580.0	Screw plug M22x1	1	PC	
9001	6.100-572.0	Set seals	1	PC	SET WITH 3 PIECES
9002	6.100-570.0	Valve cpl.	1	PC	SET WITH 3 PIECES
9003	6.100-575.0	Valve screw cpl.	3	PC	



901 Gear cpl. Leuco KRP1550 (6.100-600.0)

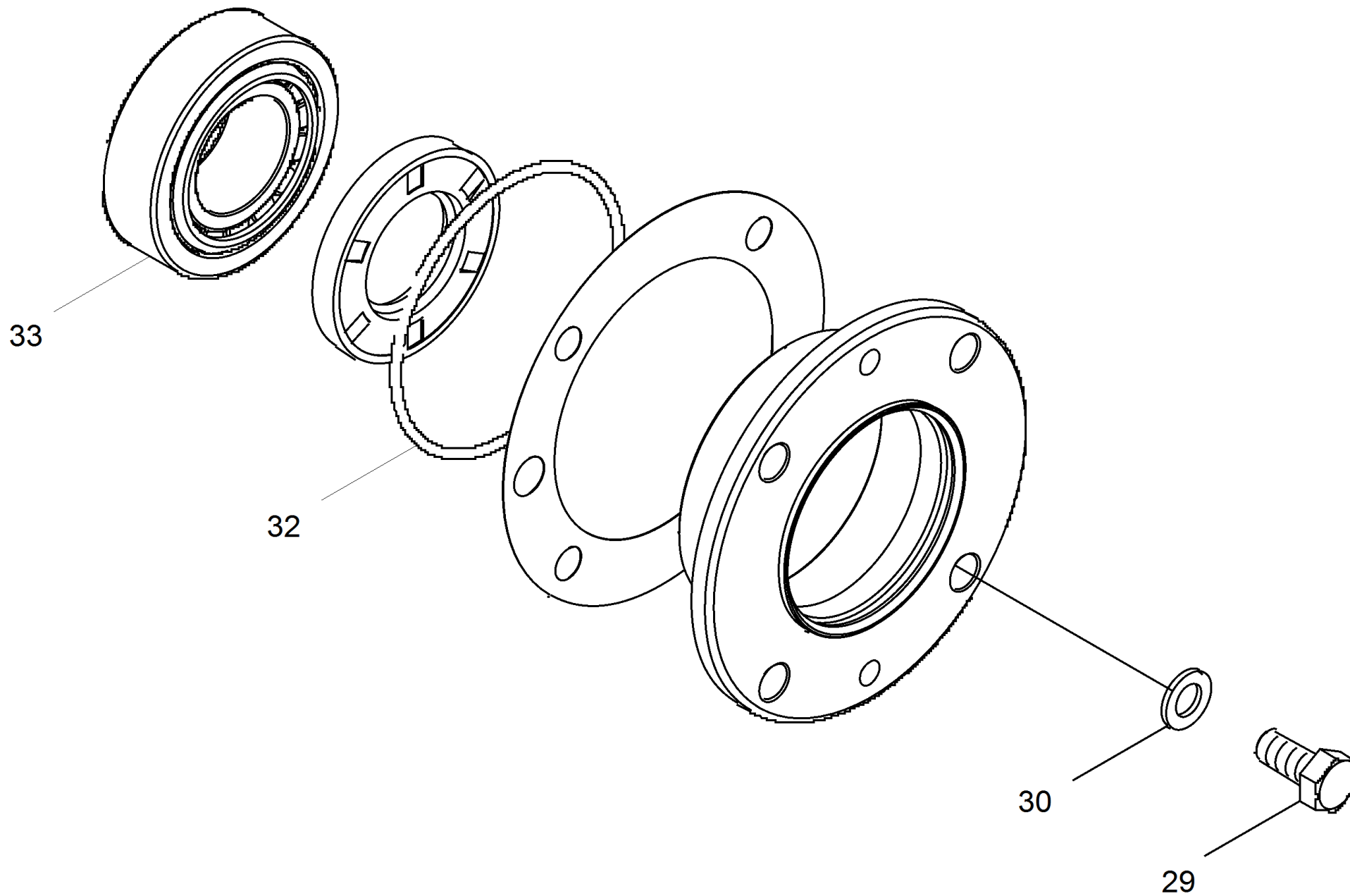
POS	Article no.	Description	Quantity	Unit
2	9.802-606.0	Seal oil	3	PC
30	6.401-006.0	Cover oil	1	PC
43	6.100-414.0	O-Ring seal Ø2,62x152,07	1	PC
44	6.063-000.0	Cover crank housing	1	PC
45	6.363-685.0	O-Ring seal 1.78x14.00	1	PC
46	6.382-015.0	Screw plug	1	PC
47	9.761-093.0	Oil inspection glass G3/4"	1	PC
48	6.100-434.0	Screw only for replacement	4	PC
50	6.423-179.0	Oil level gauge	1	PC
101	6.100-422.0	Set bearing side closed	1	PC
102	6.100-475.0	Parallel key only for replacement	1	PC
103	6.100-574.0	Sleeve cpl.	3	PC
104	6.100-423.0	Set bearing side open	1	PC



## 101 Set bearing side closed (6.100-422.0)

---

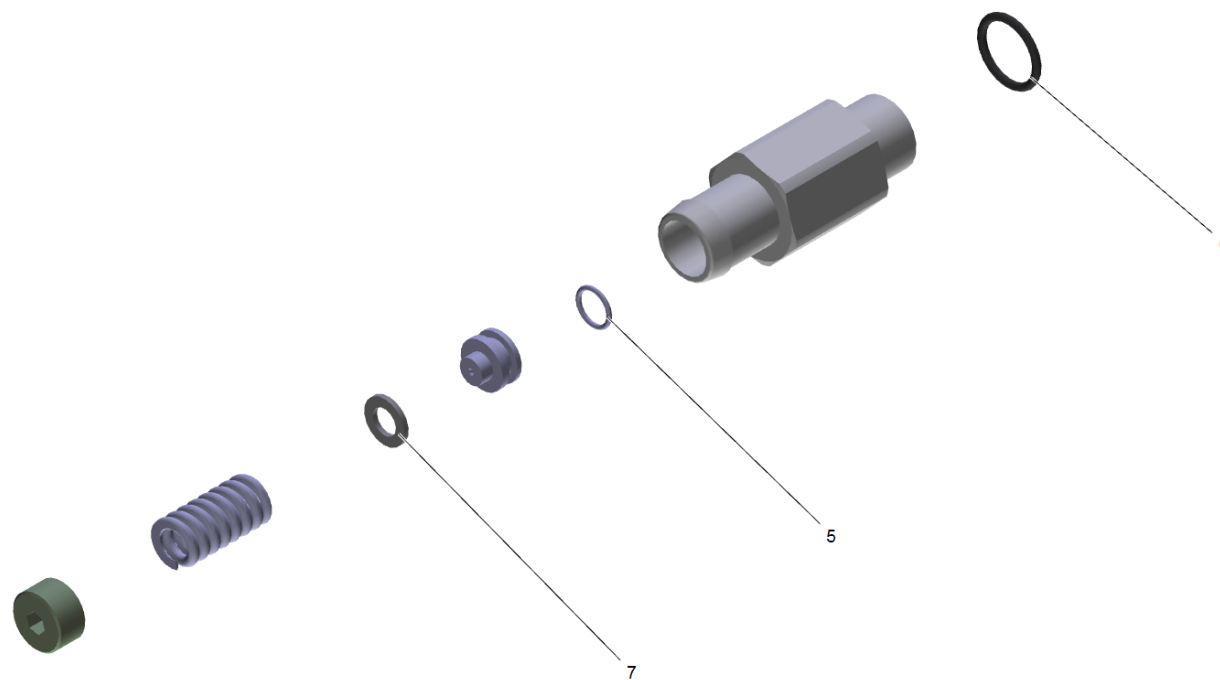
POS	Article no.	Description	Quantity	Unit
29	6.304-002.0	Hexagonal head screw	4	PC
30	6.313-008.0	Washer	4	PC
32	6.363-690.0	O-Ring seal D71.12x2.62	1	PC
33	6.401-008.0	Bearing roll	1	PC
	<b>Item text1:</b> successor of 6.401-208.0			
33		Taper roller bearing 32206 ET3	1	PC



## 104 Set bearing side open (6.100-423.0)

---

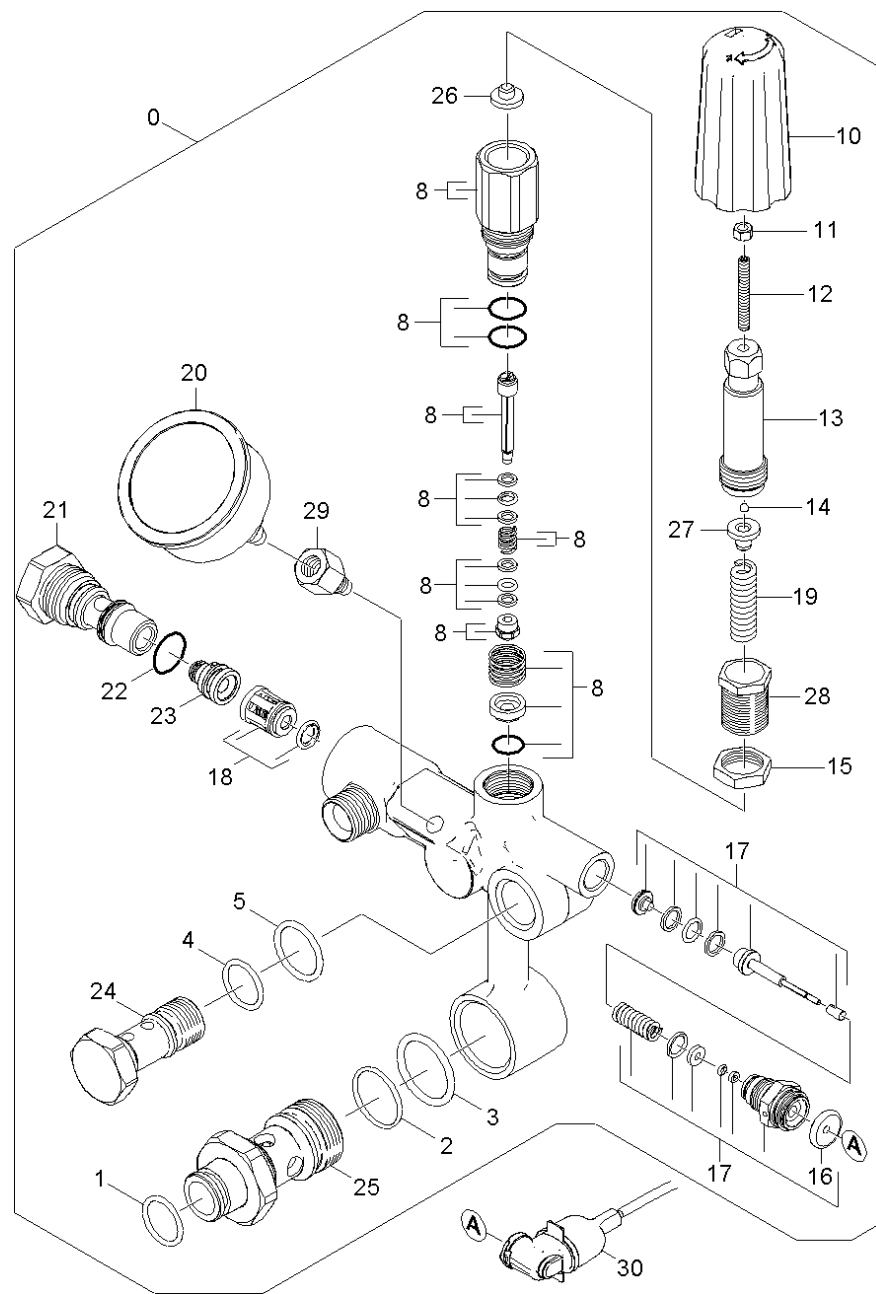
<b>POS</b>	<b>Article no.</b>	<b>Description</b>	<b>Quantity</b>	<b>Unit</b>
29	6.304-002.0	Hexagonal head screw	4	PC
30	6.313-008.0	Washer	4	PC
32	6.363-690.0	O-Ring seal D71.12x2.62	1	PC
33	6.100-413.0	Bearing roll	1	PC



## 2 Safety valve 64 MPa (4.590-095.0)

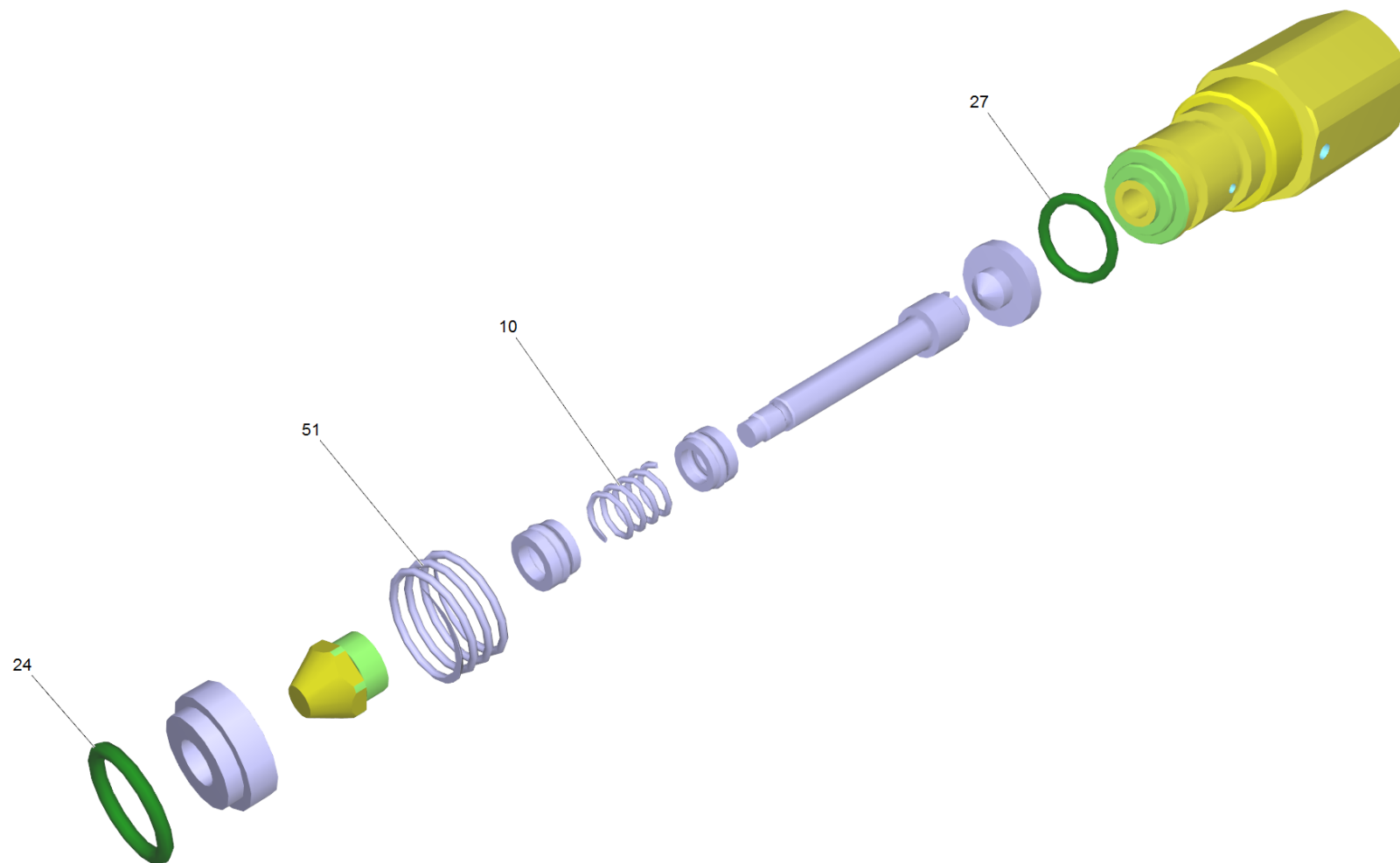
---

<b>POS</b>	<b>Article no.</b>	<b>Description</b>	<b>Quantity</b>	<b>Unit</b>
5	6.362-170.0	O-Ring seal 11,3 X 2,4-NBR 70	1	PC
6	6.362-079.0	O-Ring seal 18,0 X 2,5	1	PC
7	7.312-073.0	Washer 8 -CuZn ISO 7092	1	PC



## 22 Excess-current

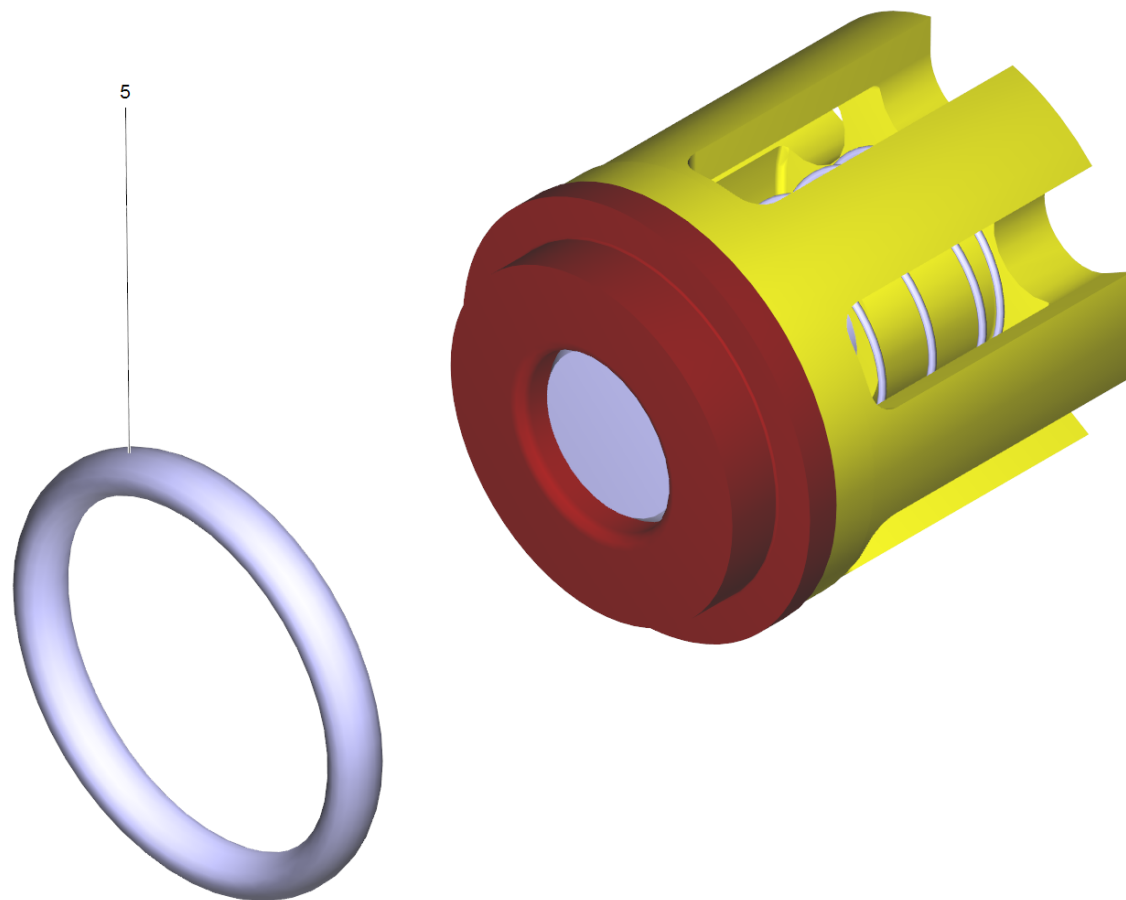
POS	Article no.	Description	Quantity	Unit
0	4.580-810.0	Excess-current complete 50 MPa	1	PC
1	6.363-006.0	O-Ring seal 20X2,8	1	PC
2	6.362-511.0	O-Ring seal 31,47X 1,78	1	PC
3	6.363-453.0	O-Ring seal 29.75 x 3,53	1	PC
4	6.362-161.0	O-Ring seal 19,3 X 2,4	1	PC
5	6.362-579.0	O-Ring seal 17,5 X 3,5	1	PC
8	2.885-113.0	Spare parts set excess-current only for	1	PC
10	5.322-103.0	Handle	1	PC
11	6.444-955.0	Nut	1	PC
	<b>Item text1:</b> replaced by 7.311-002.0			
11	7.311-002.0	Hexagon nut M5 -6-A2E ISO 4032	1	PC
12	7.307-017.0	Threaded pin M5x40-St-45H-A2E ISO 4026	1	PC
13	5.304-070.0	Hexagonal head screw	1	PC
14	7.401-921.0	Sphere 4 G20 -1.4034 DIN 5401	1	PC
15	5.311-204.0	Hexagon nut M22x1,5	1	PC
16	5.367-003.0	Diaphragm	1	PC
17	2.885-163.0	Spare parts set control piston 50 MPa	1	PC
18	4.580-740.0	Valve complete	1	PC
19	5.332-963.0	Helical spring 50 MPa	1	PC
20	6.421-357.0	Pressure gauge 0-80 MPa	1	PC
21	5.402-731.0	Screw union	1	PC
22	6.363-420.0	O-Ring seal 18,72 x 2,62 PUR 94	1	PC
23	5.769-201.0	Control injector	1	PC
24	5.304-102.0	Hollow screw	1	PC
25	5.304-096.0	Hollow screw intake	1	PC
26	5.584-145.0	Valve pin excess-current	1	PC
27	5.582-142.0	Bush	1	PC
28	5.404-082.0	Hollow screw	1	PC
29	5.401-313.0	Screw connector part	1	PC
30	4.744-234.0	Switch complete	1	PC



8 Spare parts set excess-current only for (2.885-113.0)

---

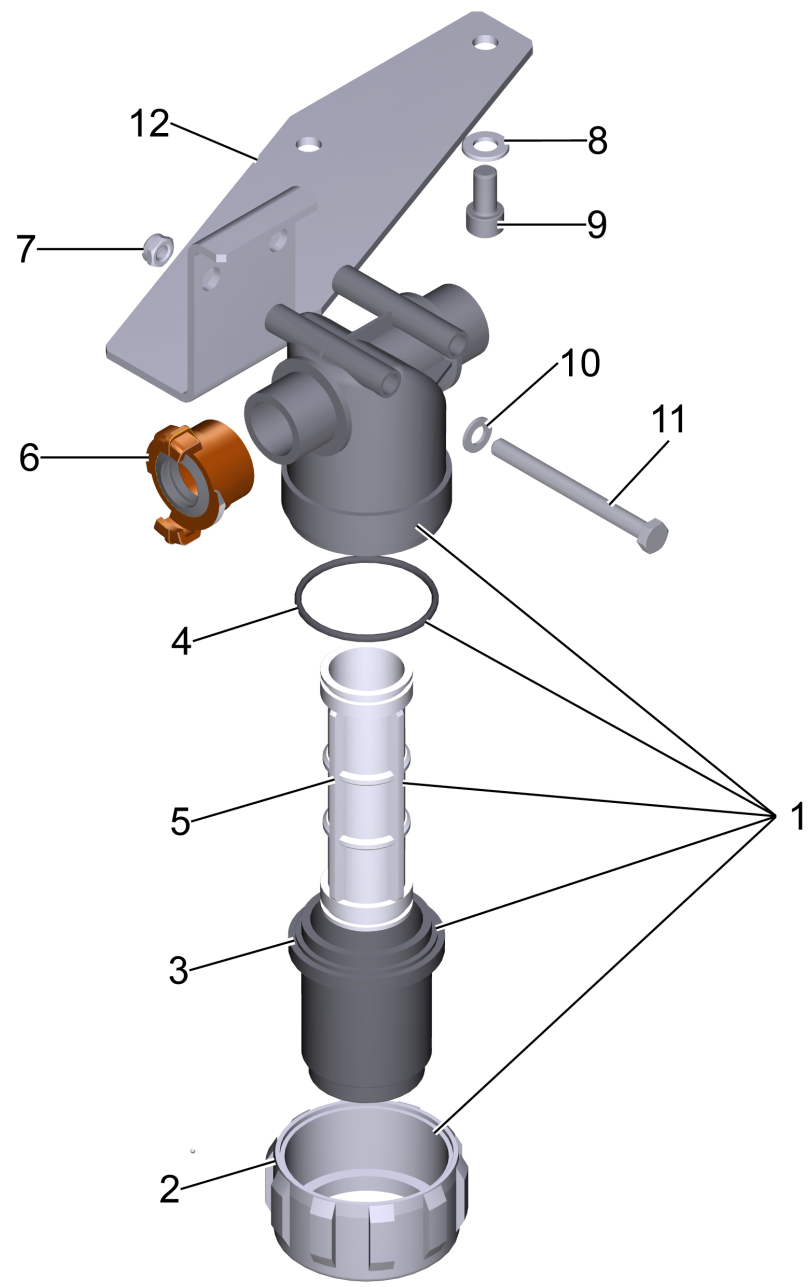
<b>POS</b>	<b>Article no.</b>	<b>Description</b>	<b>Quantity</b>	<b>Unit</b>
10	5.332-999.0	Helical spring	1	PC
24	6.363-372.0	O-Ring seal 13x2 PUR 94	1	PC
27	6.363-366.0	O-Ring seal 15,54 x 2,62 PUR 94	1	PC
51	5.332-557.0	Pressure spring	1	PC



18 Valve complete (4.580-740.0)

---

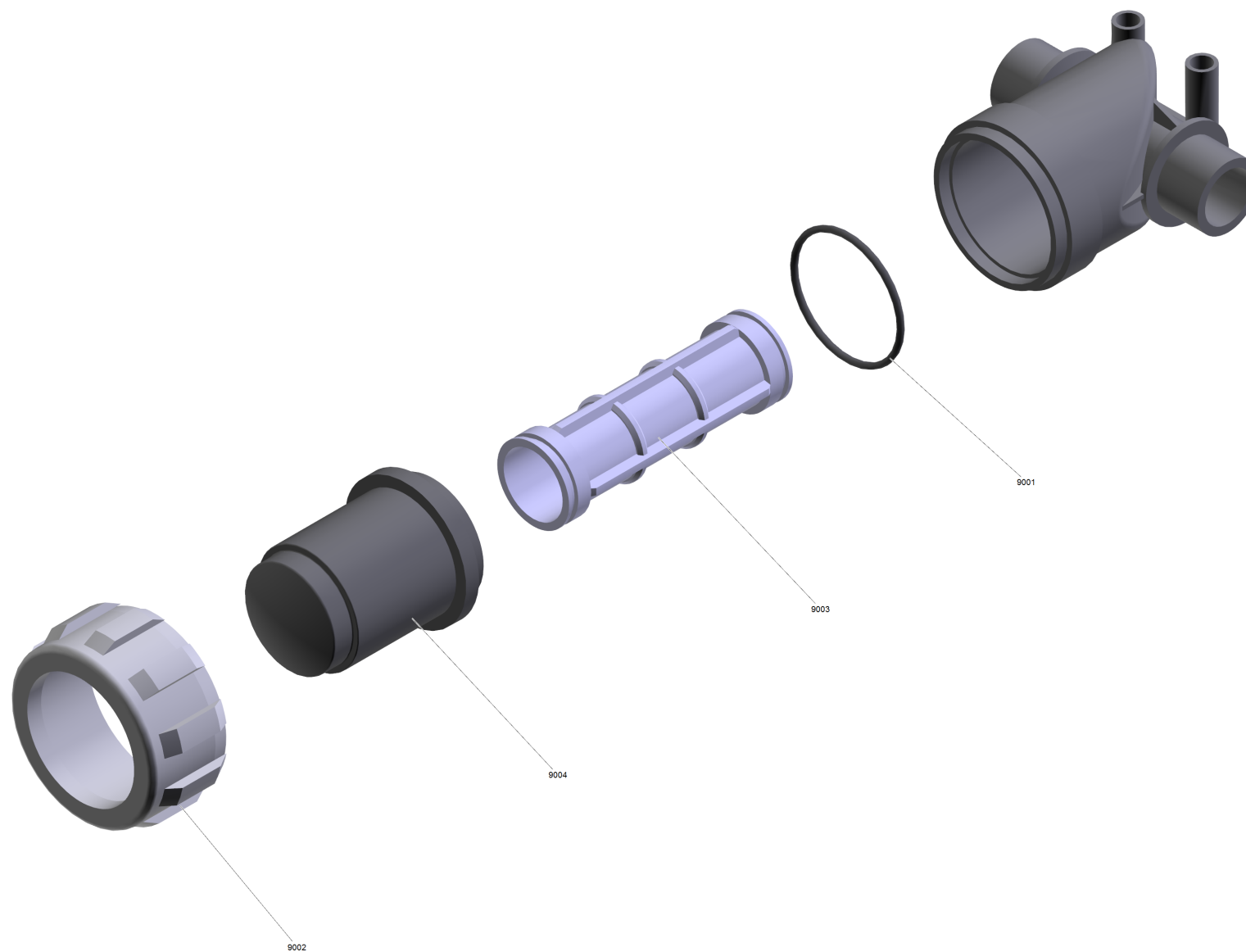
POS	Article no.	Description	Quantity	Unit
5	6.363-372.0	O-Ring seal 13x2 PUR 94	1	PC



## 23 Water filter

---

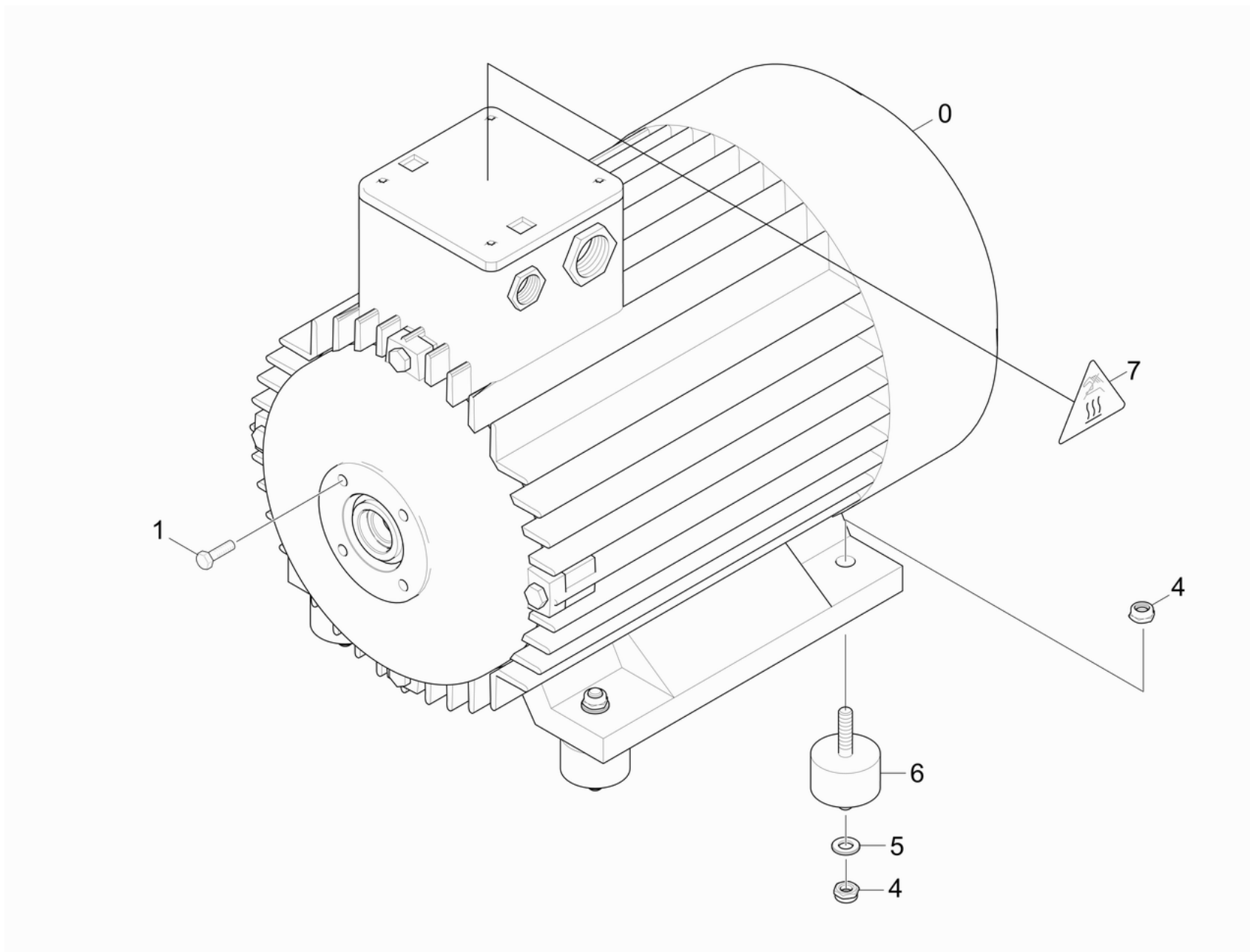
POS	Article no.	Description	Quantity	Unit
1	6.415-960.0	Water filter complete	1	PC
2	6.392-980.0	Union nut grey only for replacement	1	PC
3	6.414-688.0	Filter cup	1	PC
4	6.363-166.0	O-Ring seal	1	PC
5	6.414-666.0	Filter cartridge only for replacement	1	PC
6	6.388-458.0	Hose coupling	1	PC
7	7.311-432.0	Hexagon nut M8-1.4305 DIN 985	2	PC
8	7.312-066.0	Washer 10 -A2 ISO 7089	4	PC
9	7.306-234.0	Cylinder head screw M10x20-A4-70 ISO 4762	2	PC
10	7.312-017.0	Washer 8-A2 ISO 7089	2	PC
11	7.304-060.0	Hexagonal head screw M 8x90-A2-70 ISO 4	2	PC
12	5.052-109.0	Sheet metal component holder Leuco	1	PC



## 1 Water filter complete (6.415-960.0)

---

<b>POS</b>	<b>Article no.</b>	<b>Description</b>	<b>Quantity</b>	<b>Unit</b>
9001	6.363-166.0	O-Ring seal	1	PC
9002	6.392-980.0	Union nut grey only for replacement	1	PC
9003	6.414-666.0	Filter cartridge only for replacement	1	PC
9004	6.414-688.0	Filter cup	1	PC



## 30 Motor

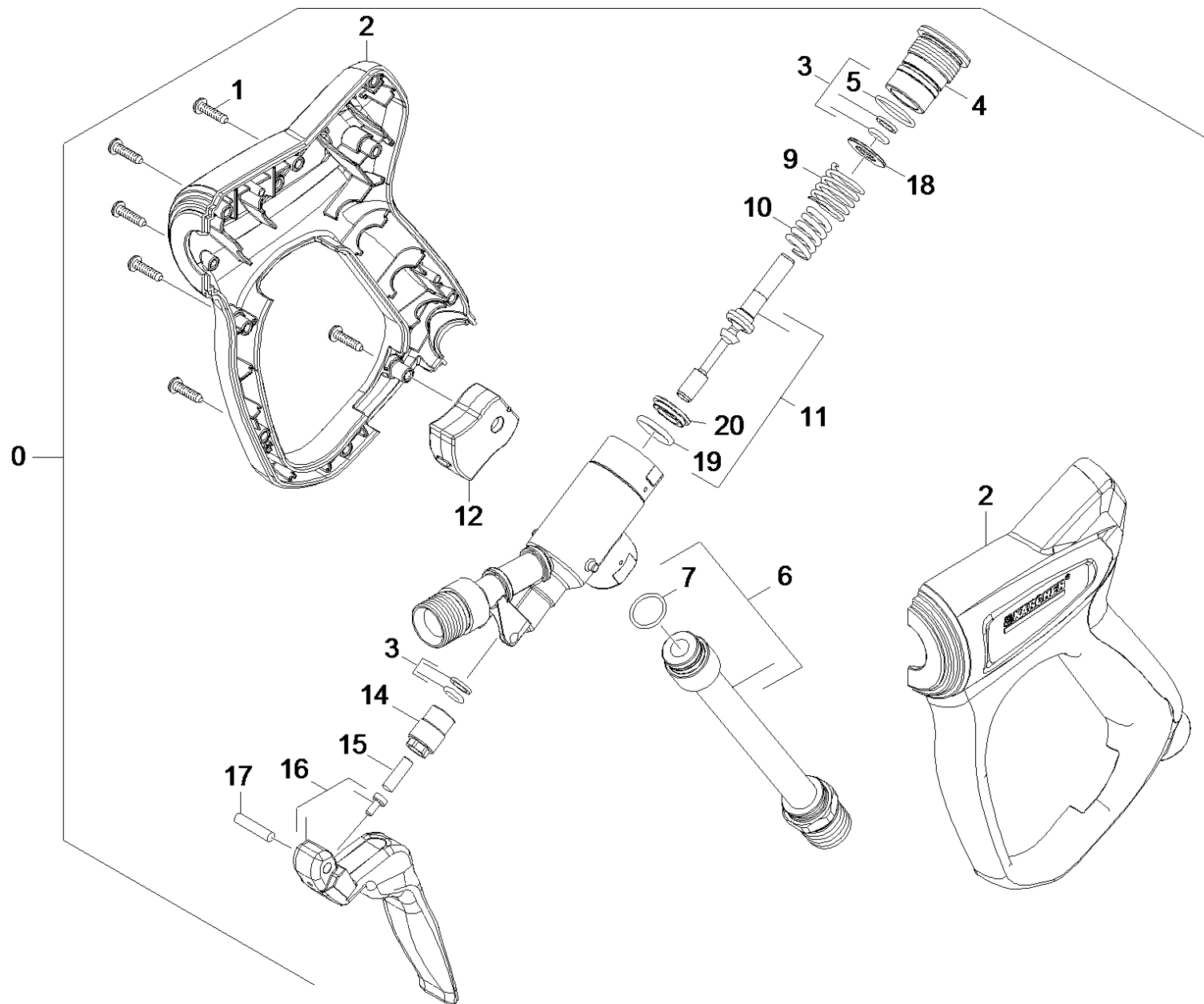
---

POS	Article no.	Description	Quantity	Unit
0	6.491-959.0	Electric motor 15 kW	1	PC
1	7.304-537.0	Hexagonal head screw M 8x30-A4-70 ISO 4	4	PC
4	7.311-088.0	Hexagon nut M10-8-A2K EN 1664	8	PC
5	7.312-290.0	Washer 10-A2 ISO 7093-1	4	PC
6	6.339-075.0	Rubber buffer D50X30	4	PC
7	6.643-943.0	Warning sign hot	1	PC
<b>Item text1:</b>		1.367-152.0/-154.0/-155.0/-156.0/-157.0		

## 40 Accessories

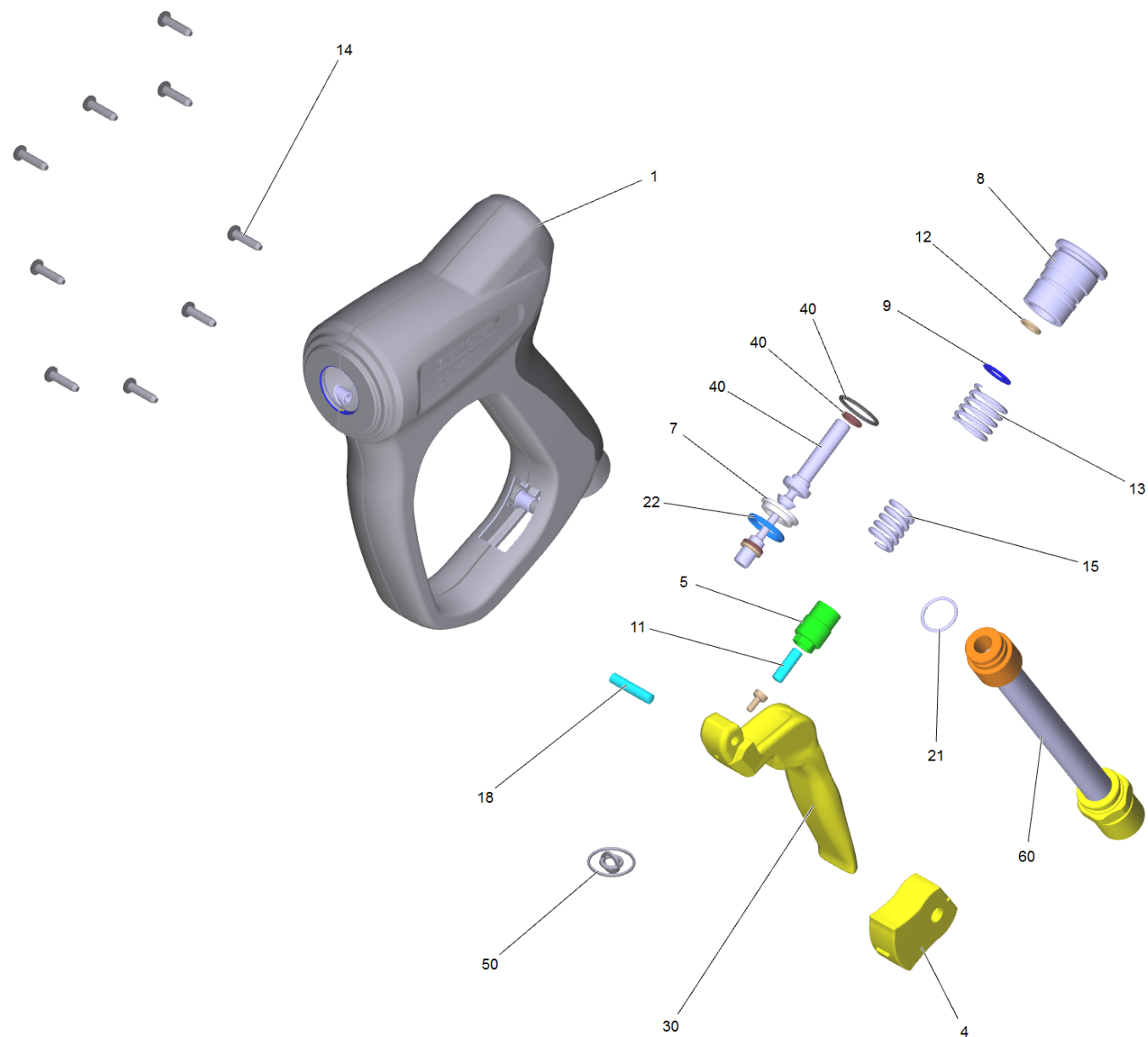
---

<b>POS</b>	<b>Description</b>	<b>Quantity</b>	<b>Unit</b>
41	Hand trigger gun	1	PC
42	High pressure hose	1	PC
43	Jet pipe	1	PC
44	HD protective clothing	1	PC



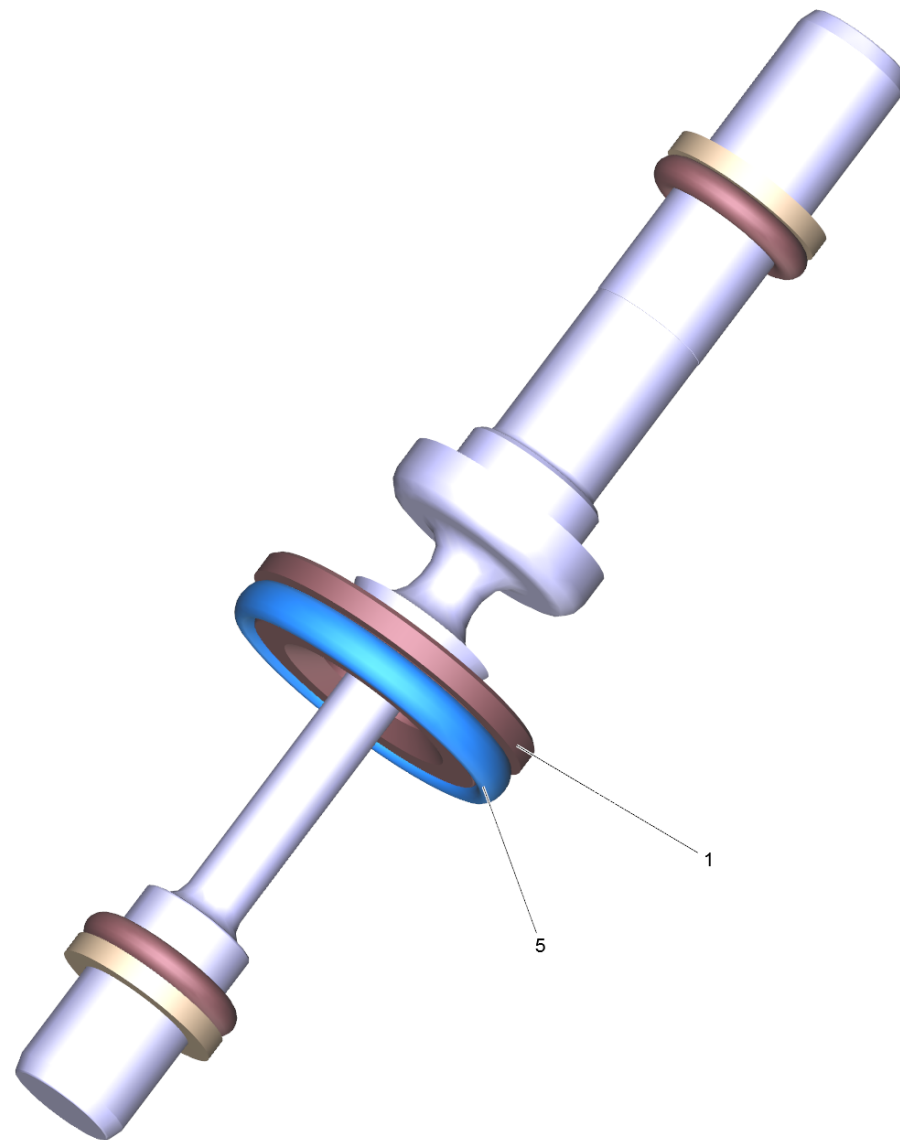
## 41 Hand trigger gun

POS	Article no.	Description	Quantity	Unit
0	4.775-824.0	Hand trigger gun only for replacement	1	PC
1	7.303-129.0	Screw 4x16-10.9-R2R (K-In6Rd)	9	PC
2	5.322-044.0	Handhold few 65MPa 3000l/h	1	PC
3	2.885-215.0	Spare part set seal 65MPa	1	PC
4	5.411-529.0	Screw plug 65MPa	1	PC
5	6.362-062.0	O-Ring seal 18 x 1,5 - FKM 80	1	PC
6	2.885-216.0	Spare part set adapter 65MPa	1	PC
7	6.363-608.0	O-Ring seal 15x1,5 NBR 90	1	PC
9	5.332-046.0	Helical spring	1	PC
10	5.332-977.0	Spring	1	PC
11	2.885-214.0	Spare part set piston 65MPa	1	PC
12	5.424-145.0	Trigger safety latch yellow	1	PC
14	5.401-330.0	Screw connector 65MPa	1	PC
15	5.317-403.0	Pin	1	PC
16	2.885-212.0	Spare part set lever yellow	1	PC
17	7.314-042.0	Straight pin 5m6x26-A1 ISO 2338	1	PC
18	5.114-572.0	Supportring 65MPa	1	PC
19	6.362-174.0	O-Ring seal 16,0 X 2,0-NBR 70	1	PC
20	5.363-768.0	Sealing insert 65MPa	1	PC



Hand trigger gun only for replacement (4.775-824.0)

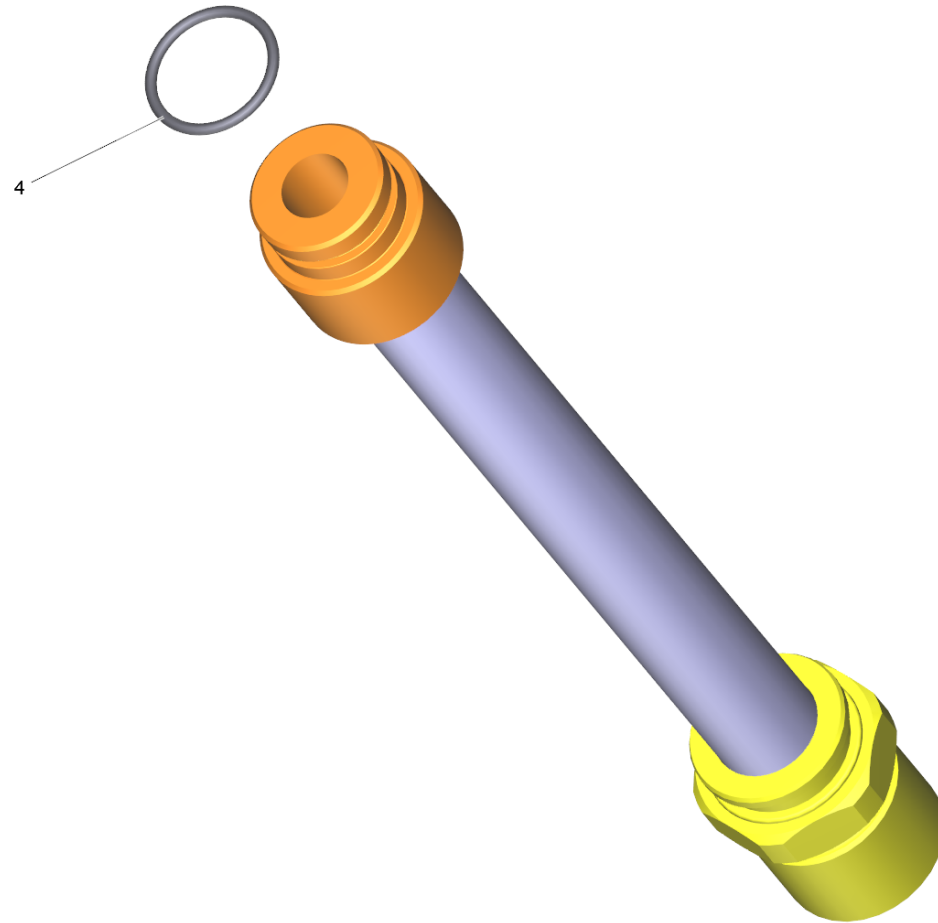
POS	Article no.	Description	Quantity	Unit
1	5.322-044.0	Handhold few 65MPa 3000l/h	1	PC
4	5.424-145.0	Trigger safety latch yellow	1	PC
5	5.401-330.0	Screw connector 65MPa	1	PC
7	5.363-768.0	Sealing insert 65MPa	1	PC
8	5.411-529.0	Screw plug 65MPa	1	PC
9	5.114-572.0	Supportring 65MPa	1	PC
11	5.317-403.0	Pin	1	PC
12	5.114-573.0	Supportring	2	PC
13	5.332-046.0	Helical spring	1	PC
14	7.303-129.0	Screw 4x16-10.9-R2R (K-In6Rd)	9	PC
15	5.332-977.0	Spring	1	PC
18	7.314-042.0	Straight pin 5m6x26-A1 ISO 2338	1	PC
21	6.363-608.0	O-Ring seal 15x1,5 NBR 90	1	PC
22	6.362-174.0	O-Ring seal 16,0 X 2,0-NBR 70	1	PC
30	2.885-212.0	Spare part set lever yellow	1	PC
40	2.885-214.0	Spare part set piston 65MPa	1	PC
50	2.885-215.0	Spare part set seal 65MPa	1	PC
60	2.885-216.0	Spare part set adapter 65MPa	1	PC



40 Spare part set piston 65MPa (2.885-214.0)

---

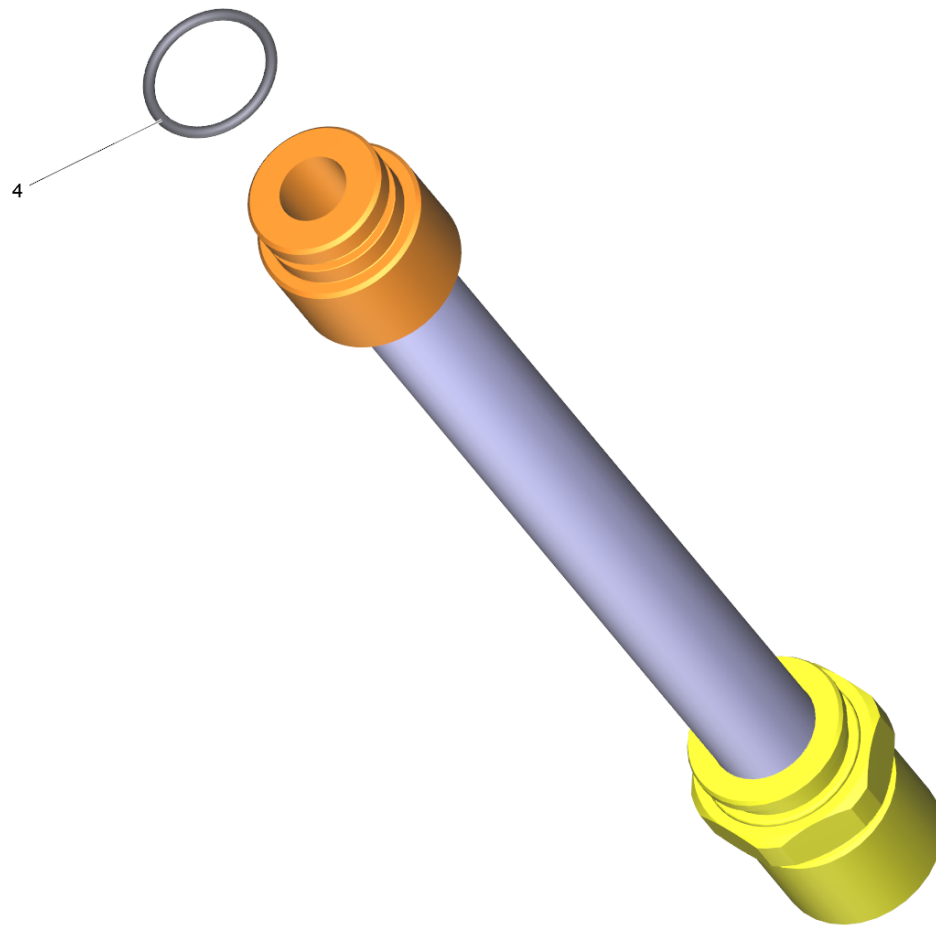
<b>POS</b>	<b>Article no.</b>	<b>Description</b>	<b>Quantity</b>	<b>Unit</b>
1	5.363-768.0	Sealing insert 65MPa	1	PC
5	6.362-174.0	O-Ring seal 16,0 X 2,0-NBR 70	1	PC



60 Spare part set adapter 65MPa (2.885-216.0)

---

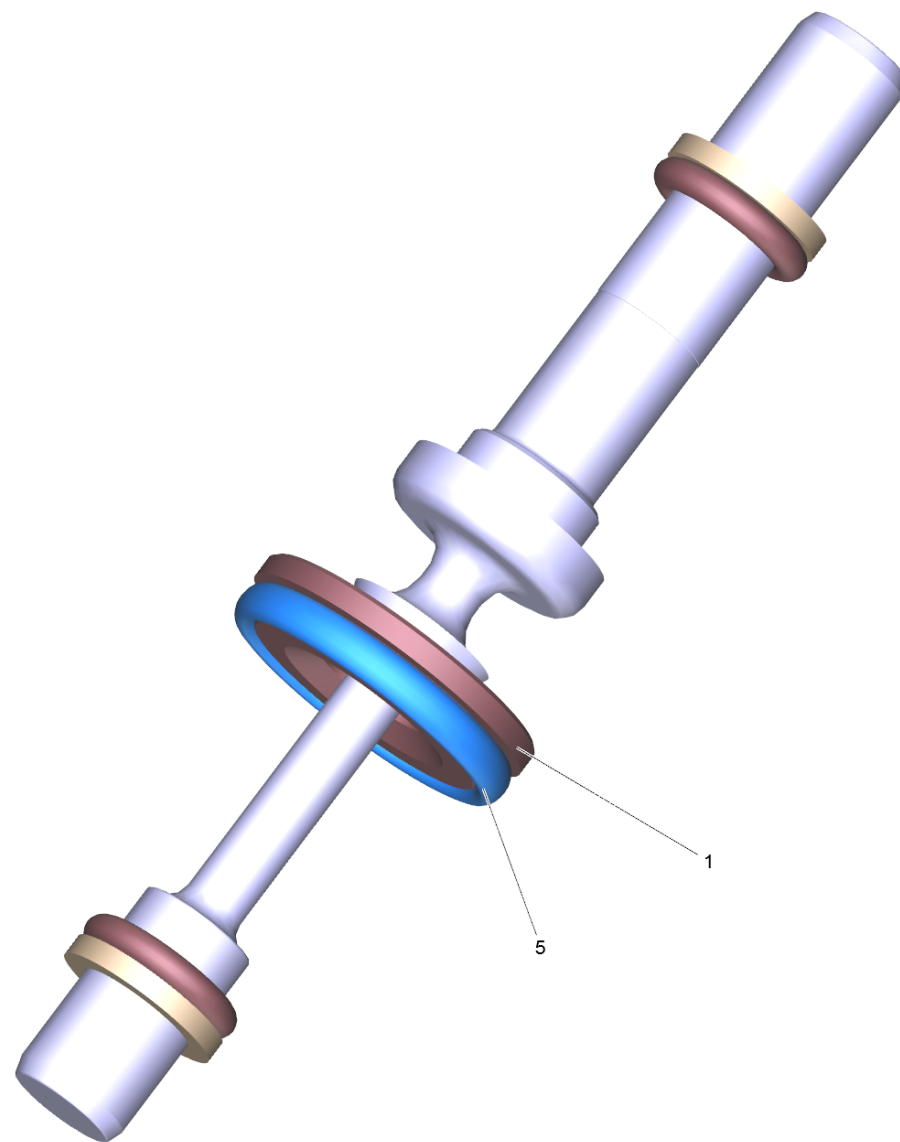
<b>POS</b>	<b>Article no.</b>	<b>Description</b>	<b>Quantity</b>	<b>Unit</b>
4	6.363-608.0	O-Ring seal 15x1,5 NBR 90	1	PC



6 Spare part set adapter 65MPa (2.885-216.0)

---

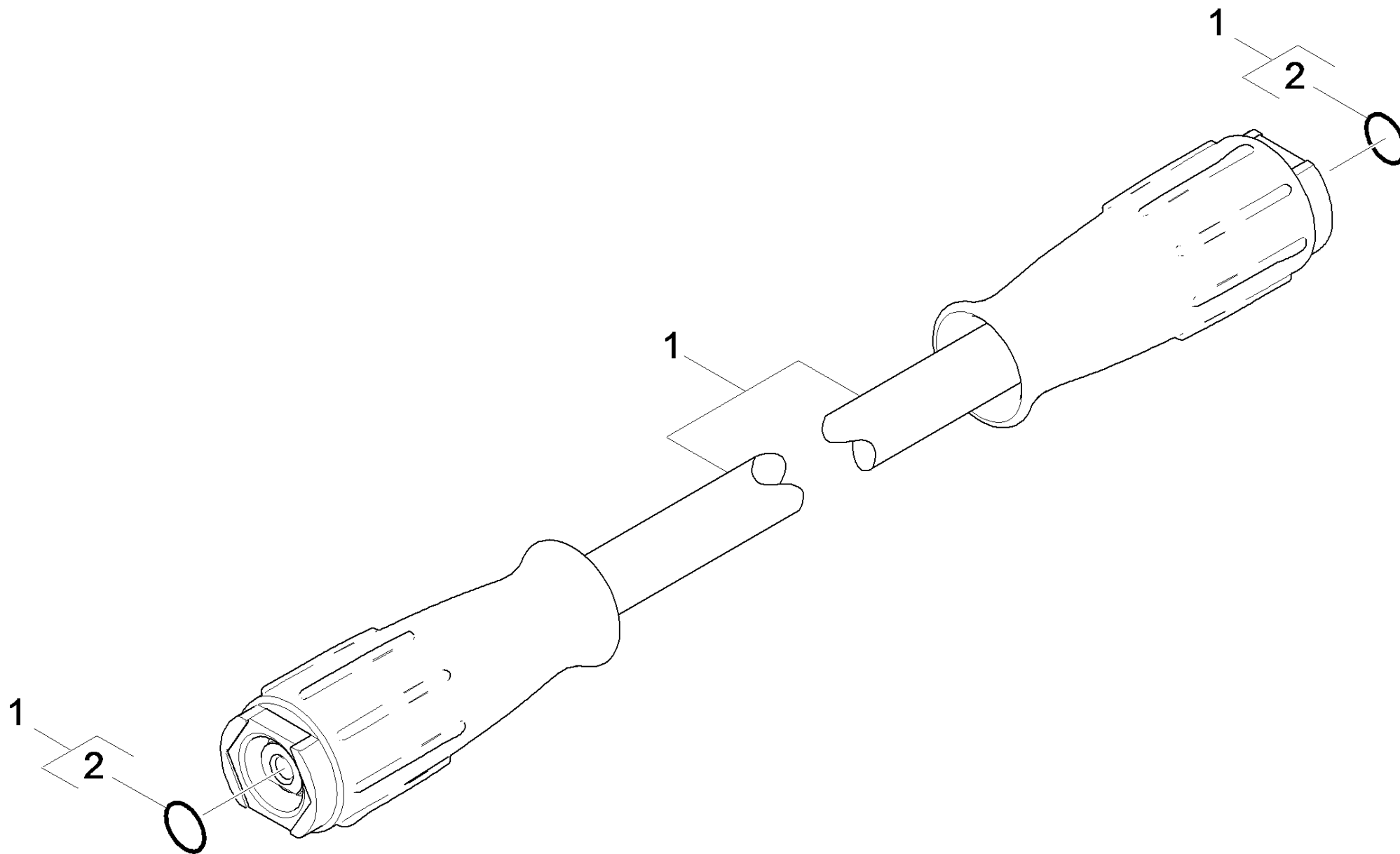
POS	Article no.	Description	Quantity	Unit
4	6.363-608.0	O-Ring seal 15x1,5 NBR 90	1	PC



11 Spare part set piston 65MPa (2.885-214.0)

---

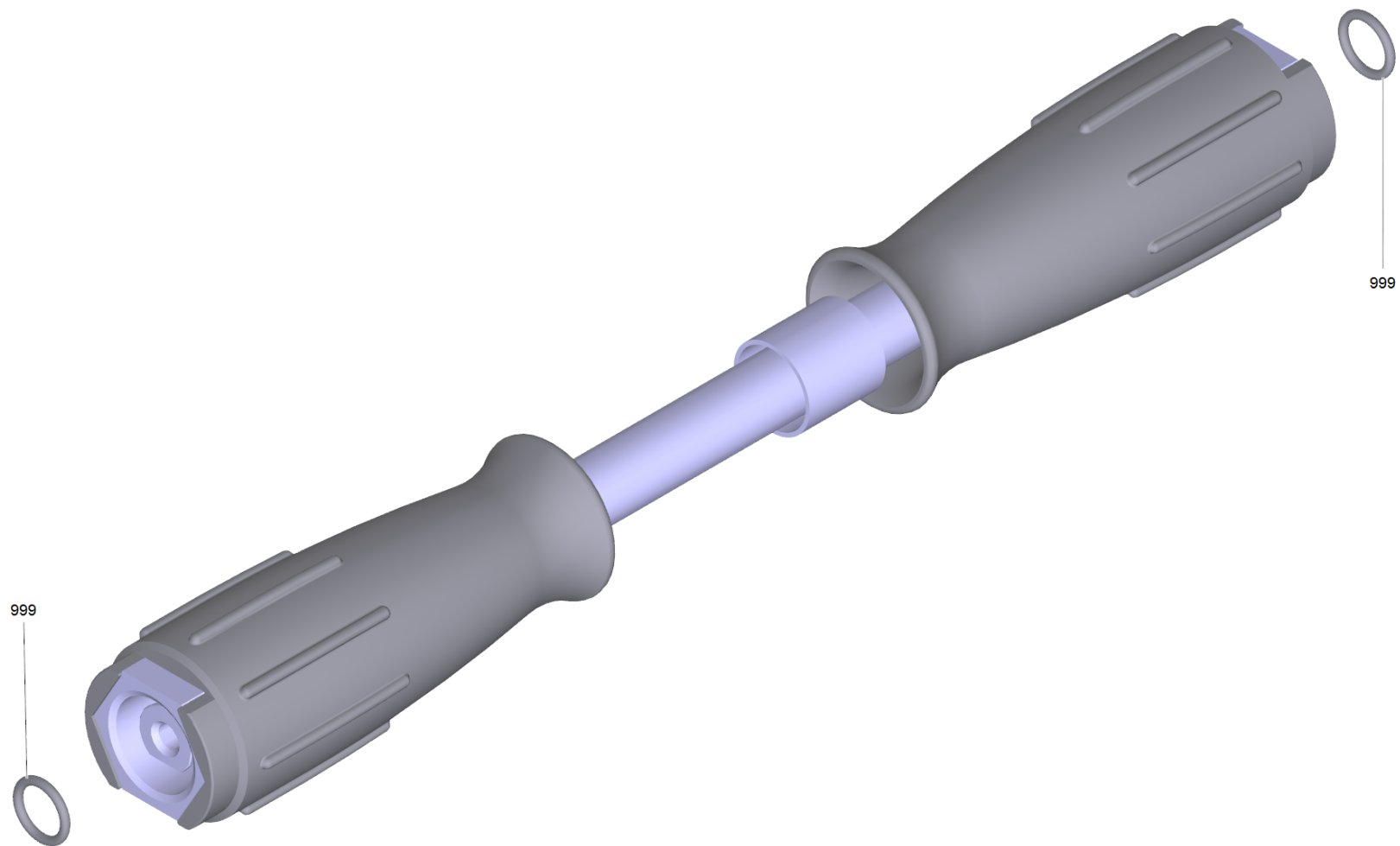
<b>POS</b>	<b>Article no.</b>	<b>Description</b>	<b>Quantity</b>	<b>Unit</b>
1	5.363-768.0	Sealing insert 65MPa	1	PC
5	6.362-174.0	O-Ring seal 16,0 X 2,0-NBR 70	1	PC



## 42 High pressure hose

---

<b>POS</b>	<b>Article no.</b>	<b>Description</b>	<b>Quantity</b>	<b>Unit</b>
1	6.391-020.0	Hose assembly DN8 64MPa 30m	1	PC
1	6.391-848.0	Hose assembly DN8 64MPa 10m	1	PC
1	6.391-856.0	Hose assembly DN8 64MPa 3m	1	PC
1	6.391-857.0	Hose assembly DN8 64MPa 20m	1	PC
2	2.880-990.0	Spare part set O-Ring 5x -Kaercher	1	PC

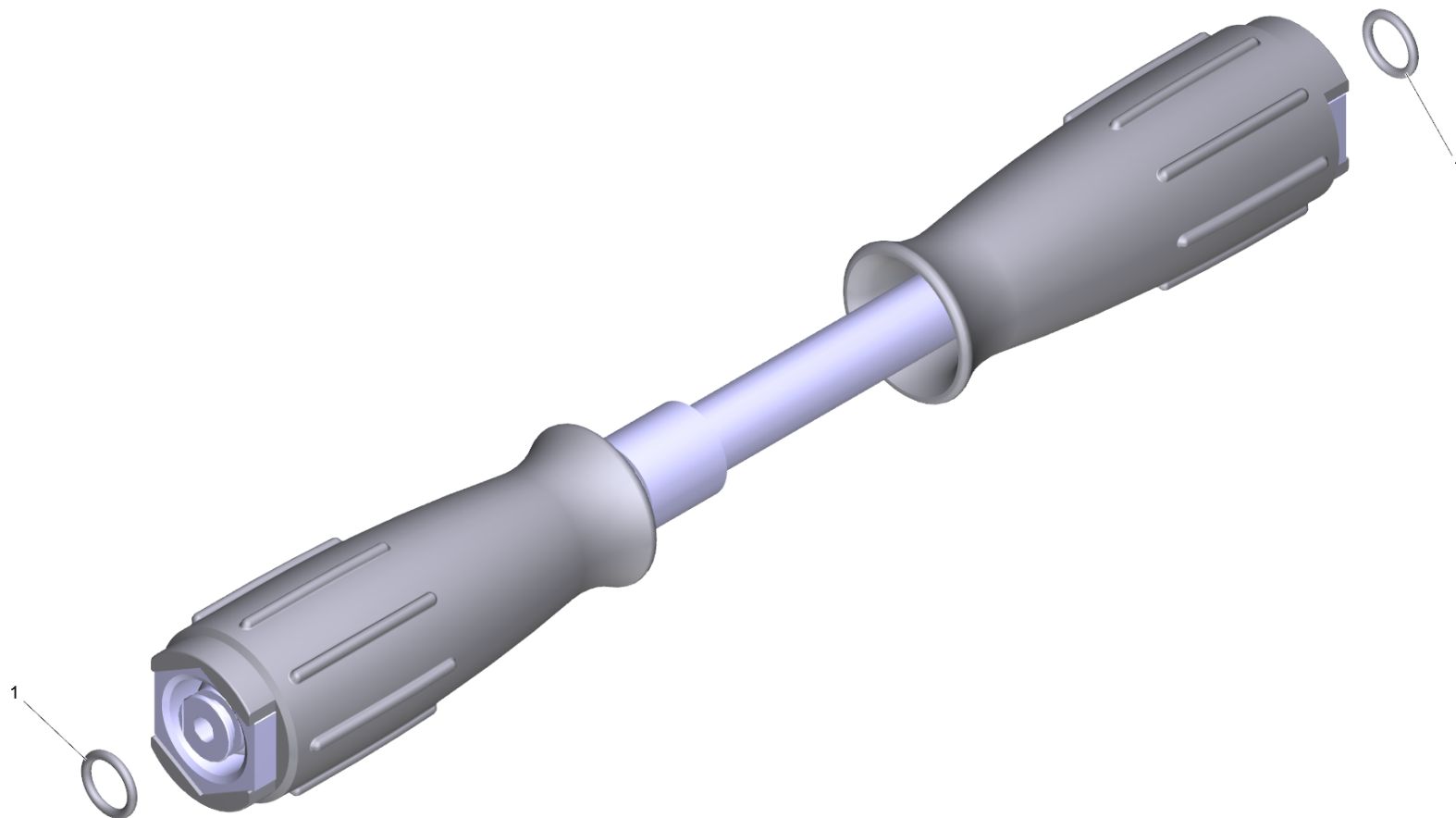


1 Hose assembly DN8 64MPa 30m (6.391-020.0)

---

<b>POS</b>	<b>Article no.</b>	<b>Description</b>	<b>Quantity</b>	<b>Unit</b>
999	2.880-990.0	Spare part set O-Ring 5x -Kaercher	1	PC

---

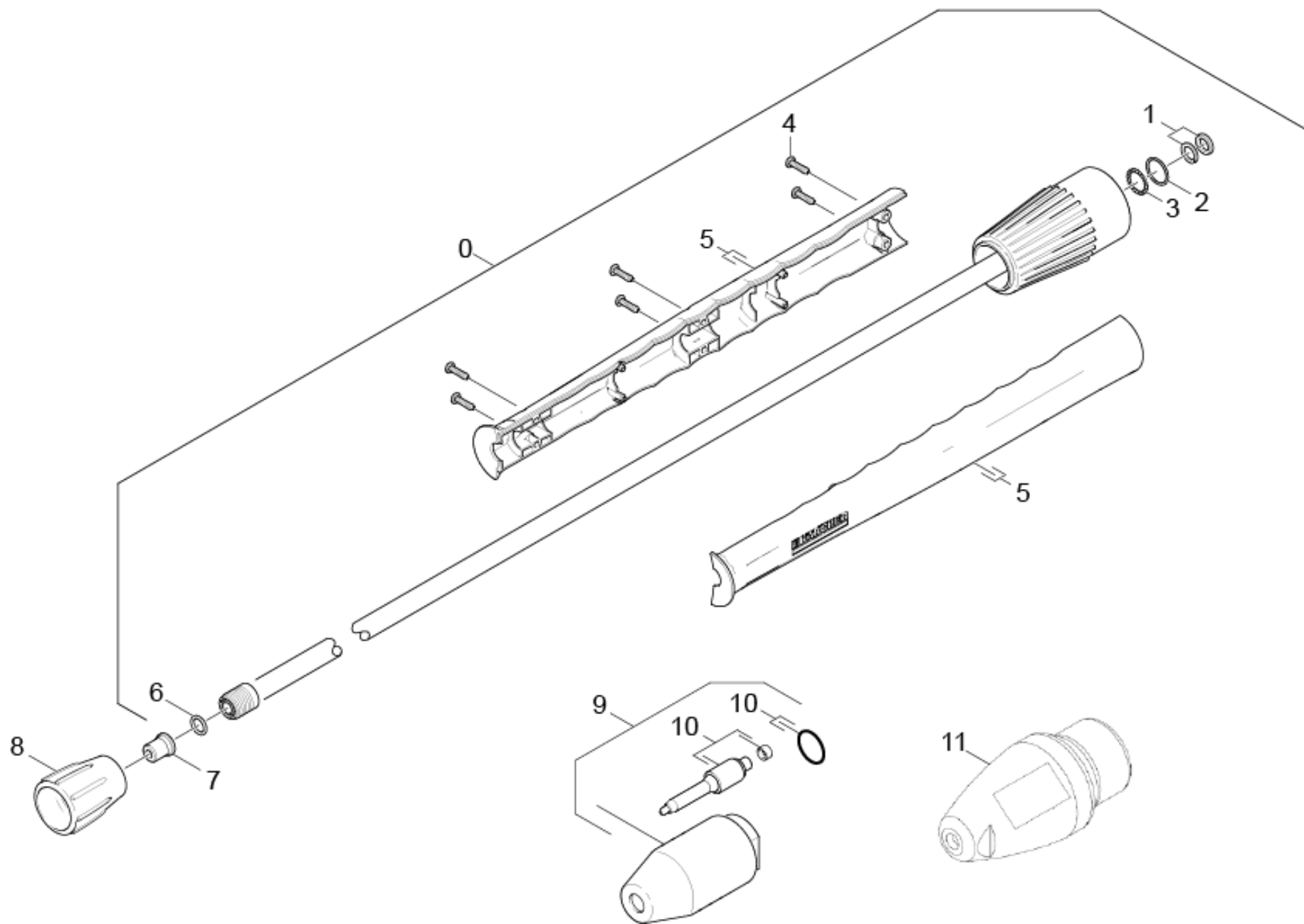


1 Hose assembly DN8 64MPa 10m (6.391-848.0)

---

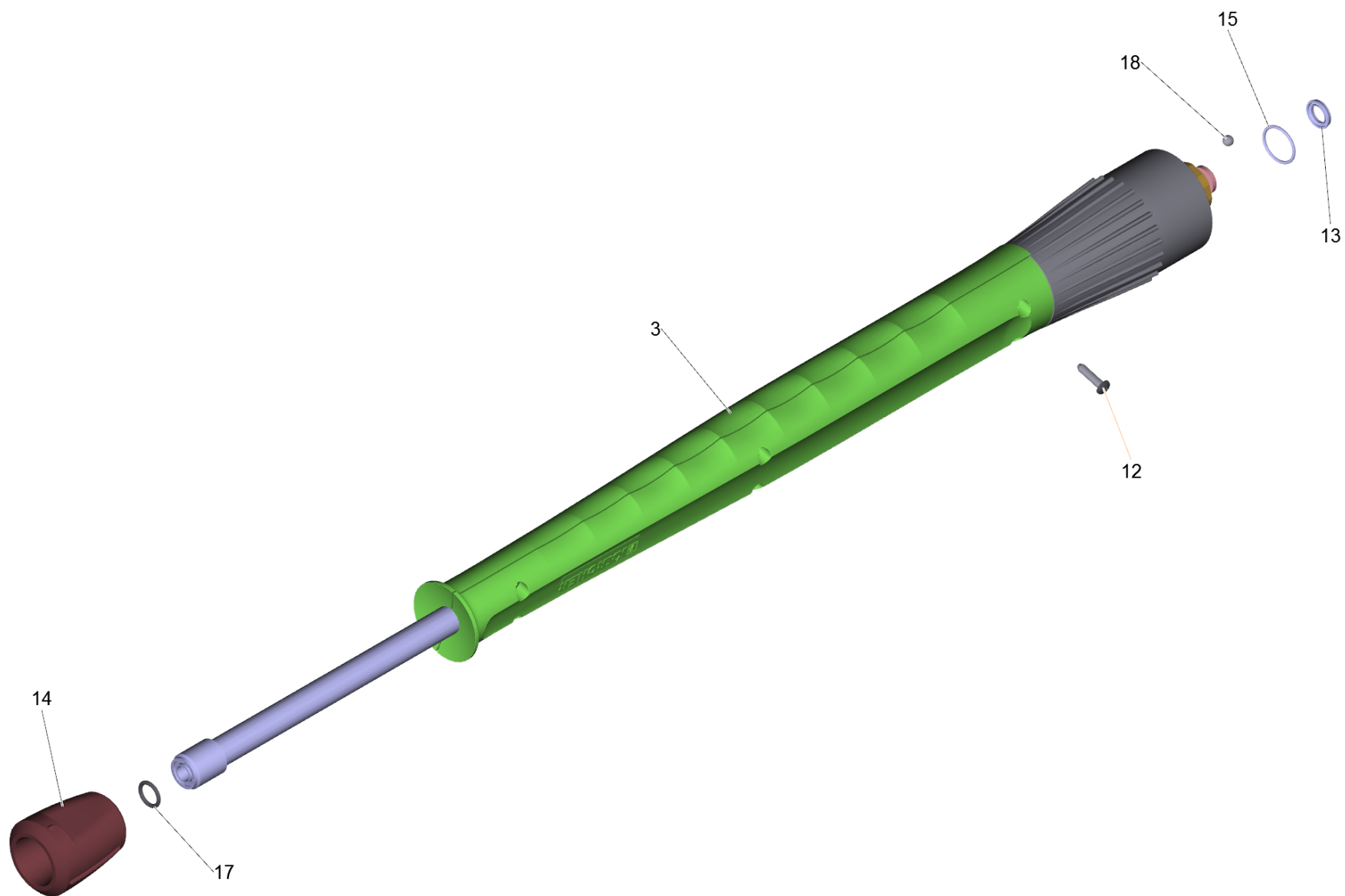
POS	Article no.	Description	Quantity	Unit
1	2.880-990.0	Spare part set O-Ring 5x -Kaercher	1	PC

---



## 43 Jet pipe

POS	Article no.	Description	Quantity	Unit	Remark
0	4.760-679.0	Jet pipe complete 700 mm 65 MPa	1	PC	
1	4.363-692.0	Grooved ring kpl. -nur fuer Ersatz-	1	PC	
		<b>Item text1:</b> successor of 4.363-695.0			
1	4.363-695.0	Grooved ring only for replacement	1	PC	
		<b>Item text1:</b> replaced by 4.363-692.0			
2	6.362-524.0	O-Ring seal 17,0 X 1,5	1	PC	
3	7.401-915.0	Sphere 2,5 G20 -1.4034 DIN 5401	1	PC	
4	7.303-129.0	Screw 4x16-10.9-R2R (K-In6Rd)	6	PC	
5	5.321-937.3	Handhold few jet pipe packaged 60 MPa	1	PC	
6	2.880-990.0	Spare part set O-Ring 5x -Kaercher	1	PC	
7	5.765-159.0	Power nozzle hardened 0030 Tol. 1%	1	PC	0 GRAD
7	5.765-164.0	Power nozzle hardened 15030 Tol. 1%	1	PC	15 GRAD
8	5.401-321.0	Screw connector part	1	PC	
9	6.415-915.0	Power Rotary Jet 50 MPa	1	PC	
10	6.025-437.0	Nozzles set Power Rotary Jet F8 50 MPa	1	PC	
		<b>Item text1:</b> 6415-915.0			
11	6.415-069.0	Power Rotary Jet F8 030	1	PC	



Jet pipe complete 700 mm 65 MPa (4.760-679.0)

POS	Article no.	Description	Quantity	Unit
3	5.321-937.3	Handhold few jet pipe packaged 60 MPa	1	PC
12	7.303-129.0	Screw 4x16-10.9-R2R (K-In6Rd)	6	PC
13	4.363-692.0	Grooved ring kpl. -nur fuer Ersatz-	1	PC
	<b>Item text1:</b> successor of 4.363-695.0			
13	4.363-695.0	Grooved ring only for replacement	1	PC
	<b>Item text1:</b> replaced by 4.363-692.0			
14	5.401-321.0	Screw connector part	1	PC
15	6.362-524.0	O-Ring seal 17,0 X 1,5	1	PC
17	2.880-990.0	Spare part set O-Ring 5x -Kaercher	1	PC
18	7.401-915.0	Sphere 2,5 G20 -1.4034 DIN 5401	20	PC

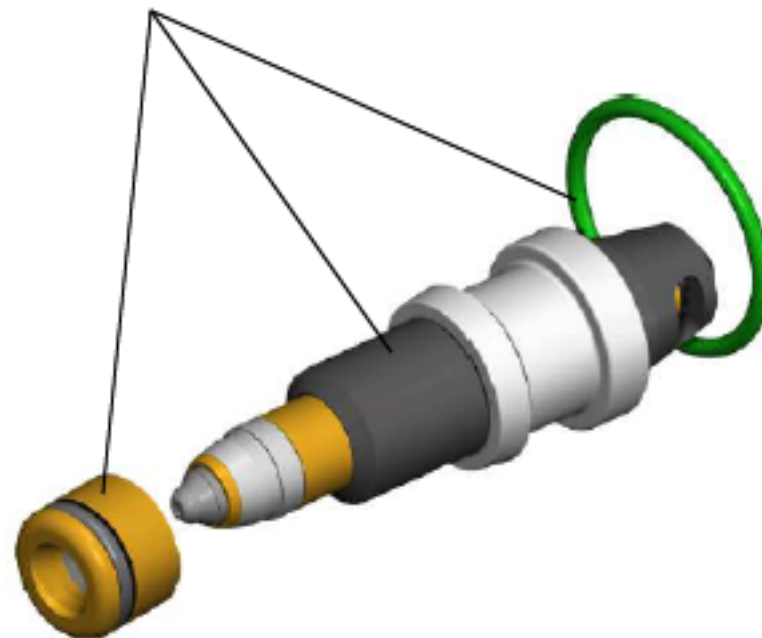
9 Power Rotary Jet 50 MPa (6.415-915.0)

---

<b>POS</b>	<b>Description</b>	<b>Quantity</b>	<b>Unit</b>
1	Component for orientation only	1	PC

---

9000



11 Power Rotary Jet F8 030 (6.415-069.0)

---

<b>POS</b>	<b>Article no.</b>	<b>Description</b>	<b>Quantity</b>	<b>Unit</b>
9000	6.812-000.0	Repair set Power Rotary Jet F8 030	1	PC

M

901



L

902



XL

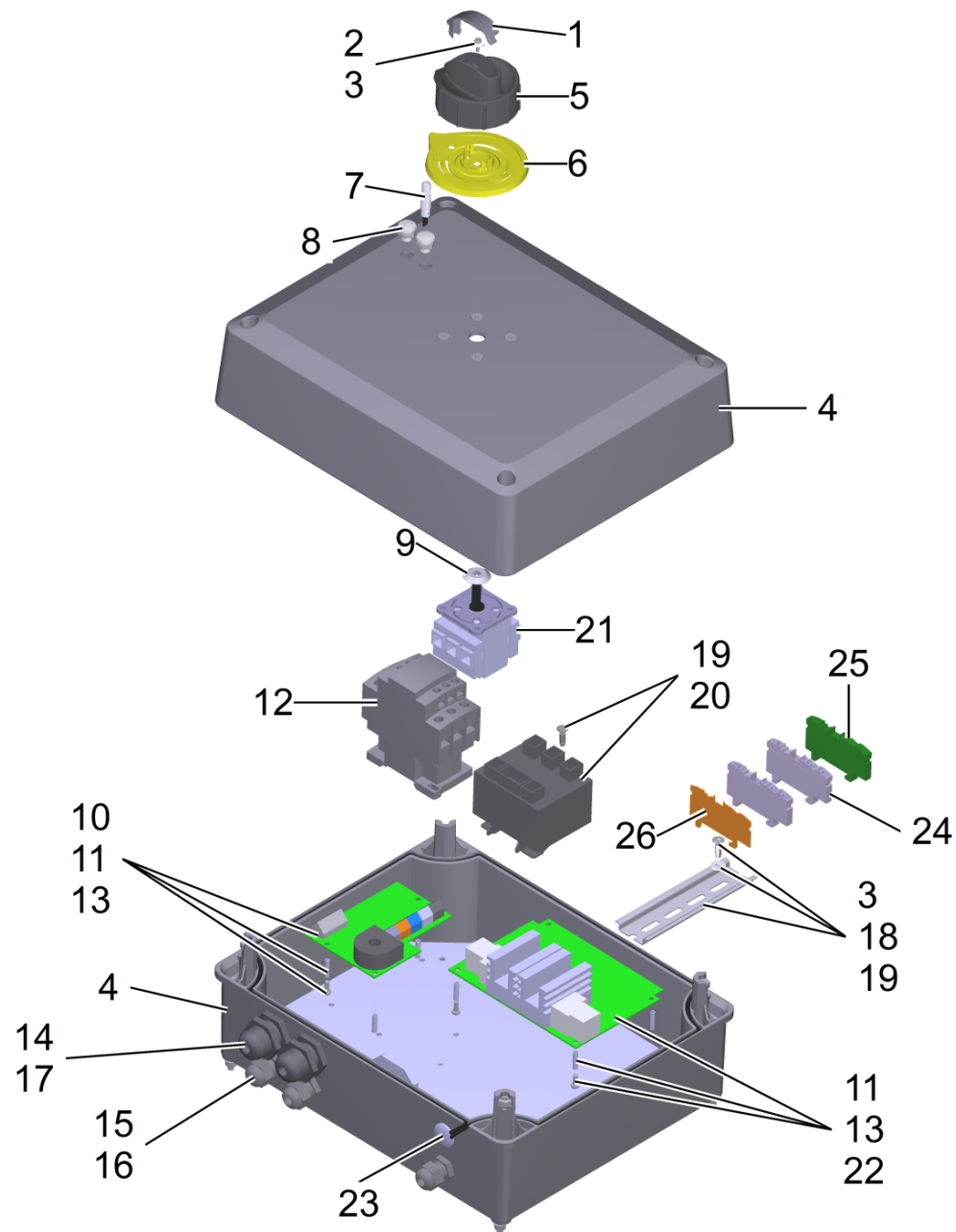
903



#### 44 HD protective clothing

---

<b>POS</b>	<b>Article no.</b>	<b>Description</b>	<b>Quantity</b>	<b>Unit</b>
901	6.547-055.0	HD size M Overall size M	1	PC
902	6.547-056.0	HD Overall size L	1	PC
903	6.547-057.0	HD protective clothing Overall size XL	1	PC



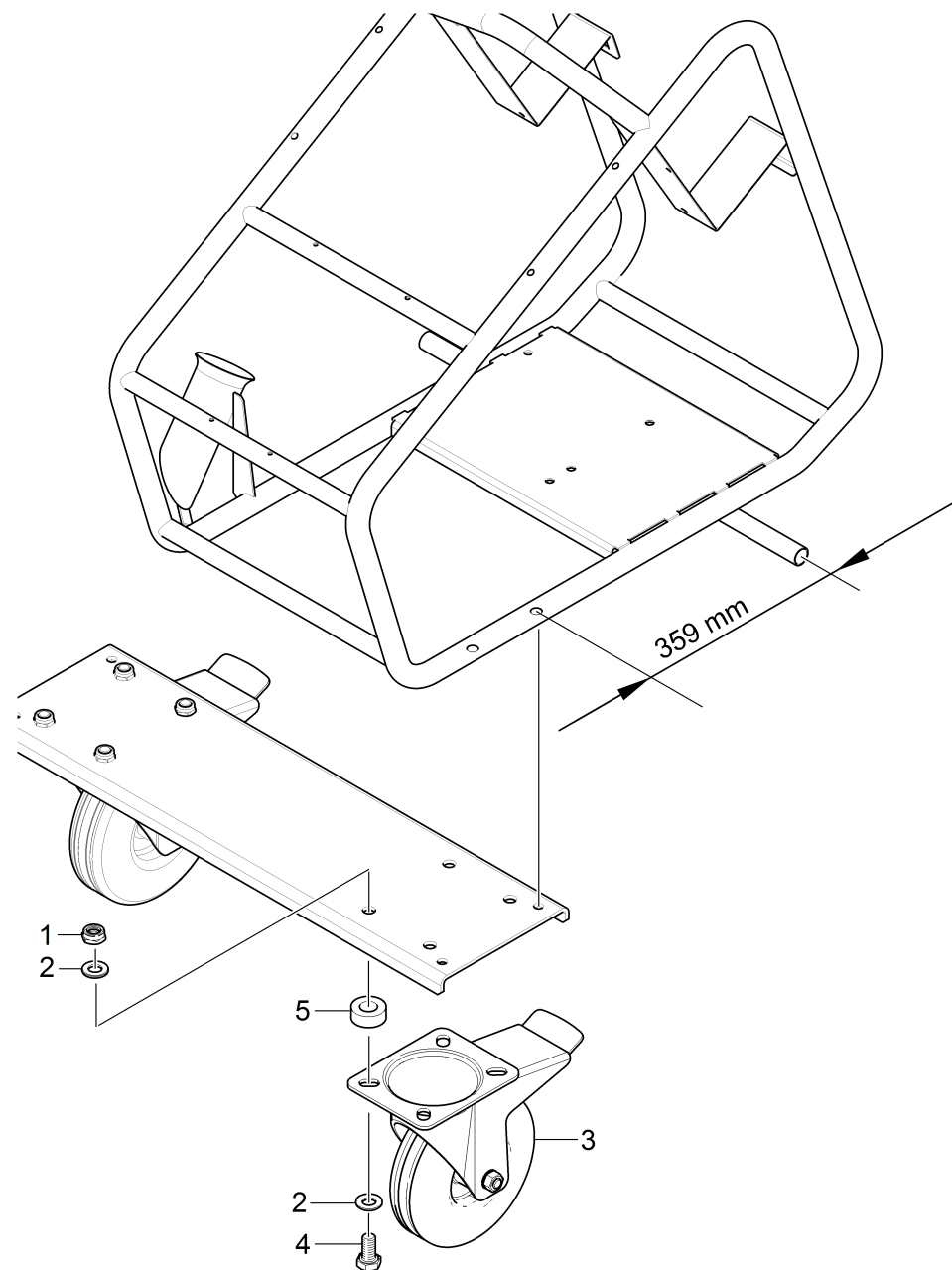
## 50 Electric control box

POS	Article no.	Description	Quantity	Unit
1	6.632-419.0	Cover	1	PC
2	7.303-061.0	Sheet metal screw ST2,9x9,5-St-R2R (In6Rd)	1	PC
3	7.312-293.0	Washer 4-A2 ISO 7093-1	1	PC
4	4.080-000.0	Electric control box complete	1	PC
5	6.632-458.0	Turning knob side brush high-pressure	1	PC
6	6.632-418.0	Plate	1	PC
7	6.651-687.0	Pilot lamp hose insulated	1	PC
8	6.651-642.0	Housing	2	PC
9	6.630-091.0	Seal for step switch	1	PC
10	6.682-965.3	Phase failure protection motor Protectio	1	PC
11	6.647-425.0	Distance holder	7	PC
12	6.632-334.0	Power contactor LC1 D32 B7	1	PC
13	7.303-326.0	Sheet metal screw ST3,5x9,5 -St-flZn/nc4	7	PC
14	6.648-206.0	Locknut black M25	2	PC
15	6.648-415.0	Locknut black M16	4	PC
16	6.648-399.0	Cable gland black M16x1,5	3	PC
17	6.648-401.0	Cable gland black M25X1,5	2	PC
18	7.233-313.0	Mounting rail TH 35-7,5 -ST-ZE EN 60715	1	m
19	7.303-071.0	Sheet metal screw ST4,2X9,5 -St-A2K (In	3	PC
20	6.622-241.0	Control transformer 400V	1	PC
21	6.632-450.0	Main switch 15kW	1	PC
22	6.682-948.0	Smooth running HD 13/35-4	1	PC
23	6.648-423.0	Blind plug grey M16X1,5	1	PC
24	6.644-368.0	Modular terminal triple-pole grey	2	PC
25	6.644-369.0	Modular terminal triple-pole green/yello	1	PC
26	6.644-370.0	End plate clamp triple-pole	1	PC

#### 4 Electric control box complete (4.080-000.0)

---

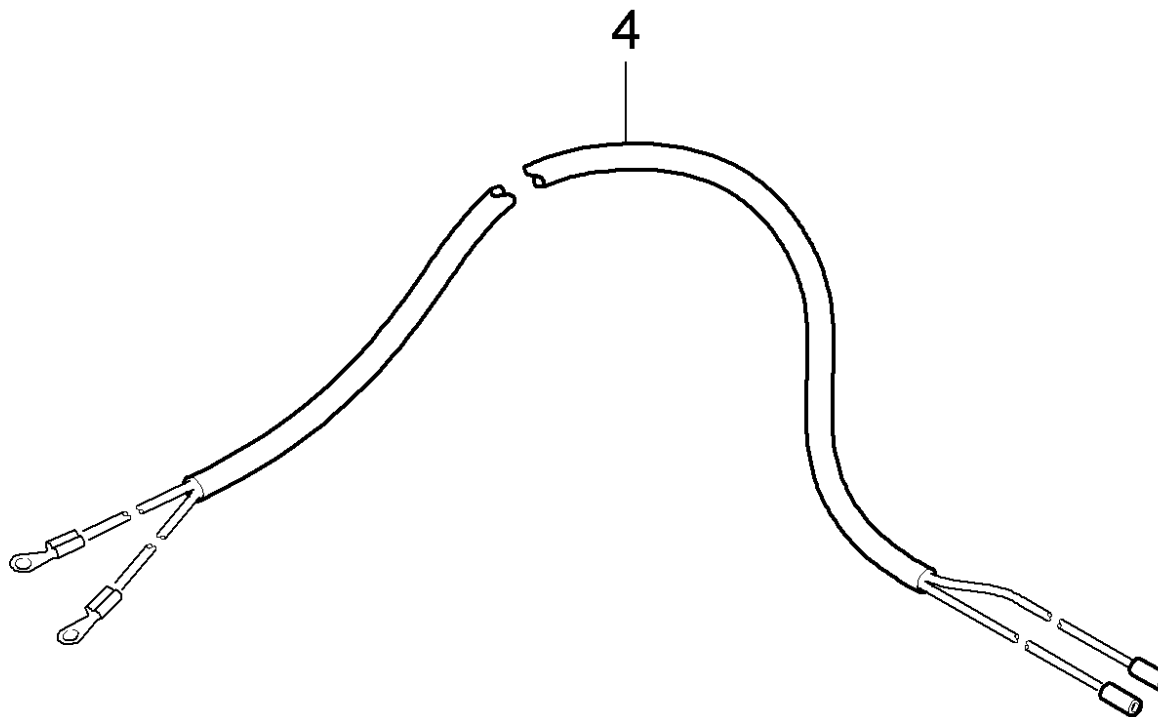
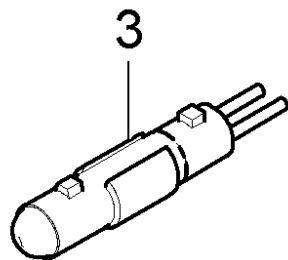
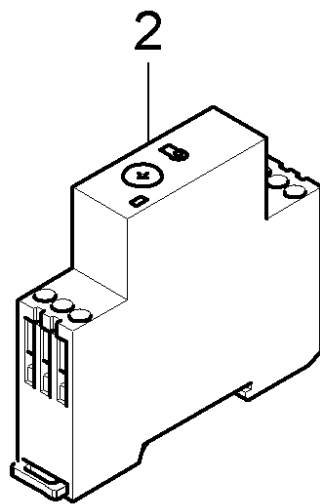
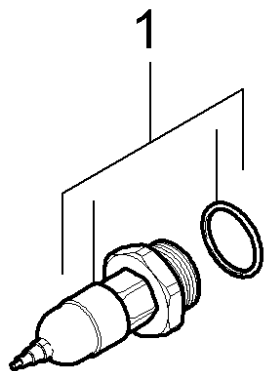
<b>POS</b>	<b>Article no.</b>	<b>Description</b>	<b>Quantity</b>	<b>Unit</b>
3	7.306-105.0	Screw M6x30 -8.8-R3R (In6Rd)	4	PC
4	7.311-003.0	Hexagon nut M6 -8-A2E ISO 4032	4	PC



## 60 Add-on kit castor

---

<b>POS</b>	<b>Article no.</b>	<b>Description</b>	<b>Quantity</b>	<b>Unit</b>
1	7.311-427.0	Hexagon nut M8-04-A2E DIN 985	8	PC
2	7.312-004.0	Washer 8 -200HV-A3E ISO 7089	16	PC
3	6.435-793.0	Castor 155mm	2	PC
4	7.304-395.0	Hexagonal head screw M8x16-8.8-A2E ISO	8	PC
5	5.111-205.0	Sleeve	8	PC



## 70 ABS protection against water shortage el

---

<b>POS</b>	<b>Article no.</b>	<b>Description</b>	<b>Quantity</b>	<b>Unit</b>
1	4.411-015.0	Screw plug pressure switch G1"	1	PC
2	6.633-585.0	Time relay	1	PC
3	6.651-645.0	Pilot lamp	1	PC
4	6.649-632.0	Control cable protection against water s	1	PC
5	4.411-017.0	Screw plug pressure switch G3/4"	1	PC