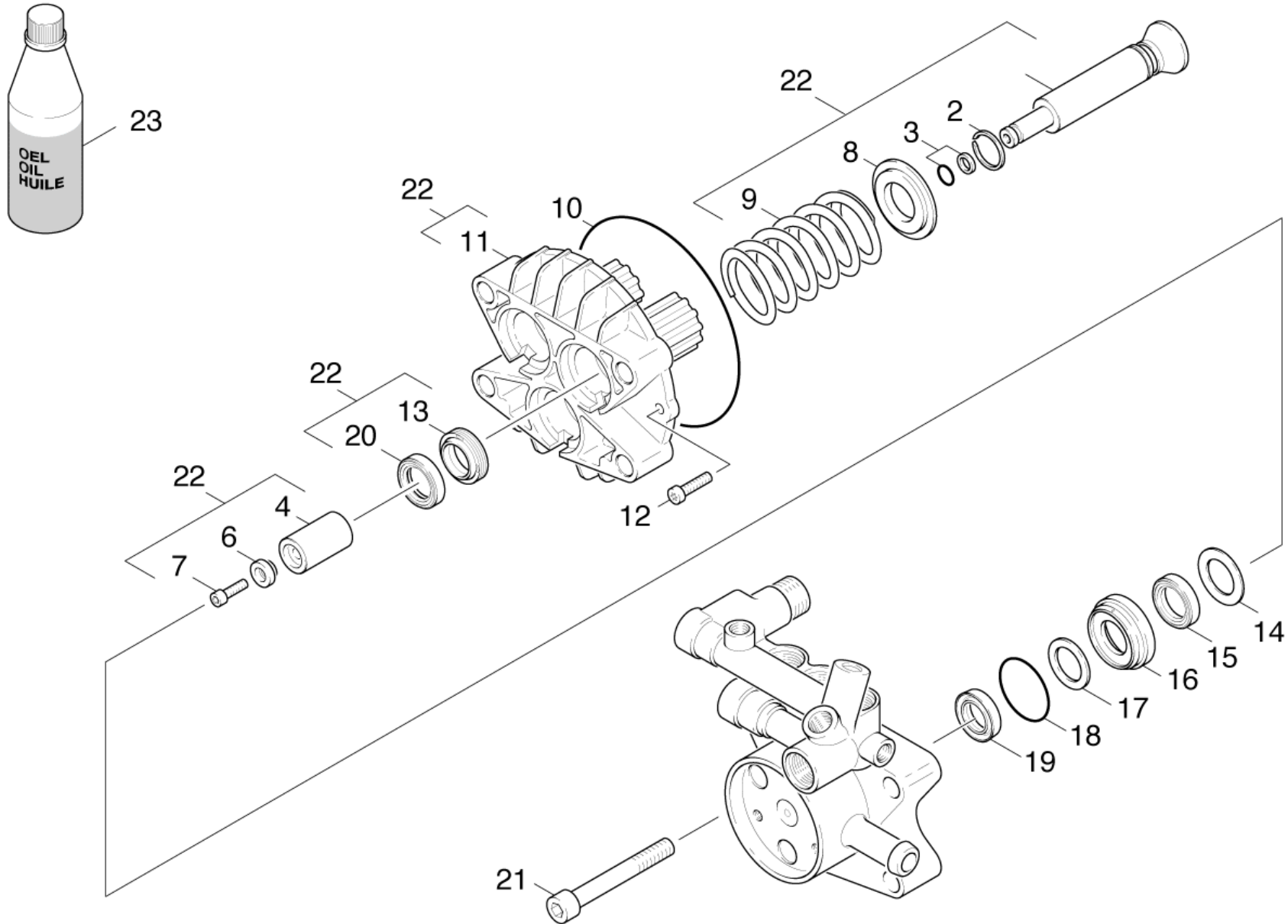


23 Piston

Professional \ High pressure cleaner cold water \ Electric motor \ HD 16/15 PLUS*EU-II \ Spare parts list HD 16/15 \ Pump set \ Piston



23 Piston

Professional \ High pressure cleaner cold water \ Electric motor \ HD 16/15 PLUS*EU-II \ Spare parts list HD 16/15 \ Pump set \ Piston

KÄRCHER

POS	Article no.	Description	Quantity	Unit
2	6.343-142.0	Snap ring WR 22	3.000	ST
3	6.362-365.0	O-Ring seal complete 1ST.-R.- 7,65X 1,7	3.000	ST
4	5.110-293.0	Sleeve ceramic	3.000	ST
6	5.110-914.0	Sleeve	3.000	ST
7	7.306-158.0	Cylinder head screw M 5x20-A4-70 ISO 47	3.000	ST
8	5.115-522.0	Washer	3.000	ST
9	5.332-531.0	Helical spring	3.000	ST
10	6.362-796.0	O-Ring seal 107,62X 2,62	1.000	ST
11	5.060-955.0	Housing	1.000	ST
12	7.306-105.0	Screw M6x30 -8.8-R3R (In6Rd)	2.000	ST
13	6.365-059.0	Grooved ring 22X30X6/8	3.000	ST
14	5.115-314.0	Washer	3.000	ST
15	6.365-069.0	Compact seal 24X36X7	3.000	ST
16	5.112-685.0	Bush	3.000	ST
17	5.115-480.0	Washer	3.000	ST
18	6.362-092.0	O-Ring seal 36,0 X 2,0-NBR 70	3.000	ST
19	6.365-347.0	Grooved ring	3.000	ST
20	5.115-978.0	Washer	3.000	ST
21	7.306-430.0	Cylinder head screw M12x90- 10.9-A3K ISO 4762	4.000	ST
22	4.060-522.0	Thrust guidance complete	1.000	ST
23	6.288-016.0	Gear oil 1L	1.000	ST