

Spare parts list

(1.515-255.0) BD 40/25 C Bp

Table of contents

BD 40/25 C Bp (1.515-255.0)	3
6 Spare parts list BR/BD 40/25 C (5.970-442.0)	4
10 Tank	5
11 Tank	6
12 Individual parts	9
20 Frame	11
21 Frame BR	12
22 Frame BD	15
30 Individual parts	18
40 Electricics	21
41 Control system mains	22
42 Electric equipment mains	24
43 Electricics battery	26
44 Cable harness (4.822-375.0)	30
50 Brush-head	32
51 Brush-head BR	33
52 Brush-head BD "Ep"	36
53 Brush-head BD "Bp"	39
60 Suction mechanism	42
61 Suction bar	43
62 Suction bar	46
63 Suction bar	49
Suction bar straight 770mm (4.777-407.0)	52
10 Suction bar pre-assembled straight 770mm	54
9000 Add-on kit rollers suction bar (2.640-023.0)	55
46 Roller suction bar (4.035-339.0)	57
70 Accessories pad roll	59
3 Hub pad roll BR VS (5.120-313.0)	61
80 Battery quick-charge set (2.642-554.0)	63

BD 40/25 C Bp (1.515-255.0)

POS	Article no.	Description	Quantity	Unit
6	5.970-442.0	Spare parts list BR/BD 40/25 C	1.000	ST

6 Spare parts list BR/BD 40/25 C (5.970-442.0)

POS	Description	Quantity	Unit
70	Accessories pad roll	1.000	ST
80	Battery quick-charge set (2.642-554.0)	1.000	ST
50	Brush-head	1.000	ST
40	Electricics	1.000	ST
20	Frame	1.000	ST
30	Individual parts	1.000	ST
60	Suction mechanism	1.000	ST
10	Tank	1.000	ST

10 Tank

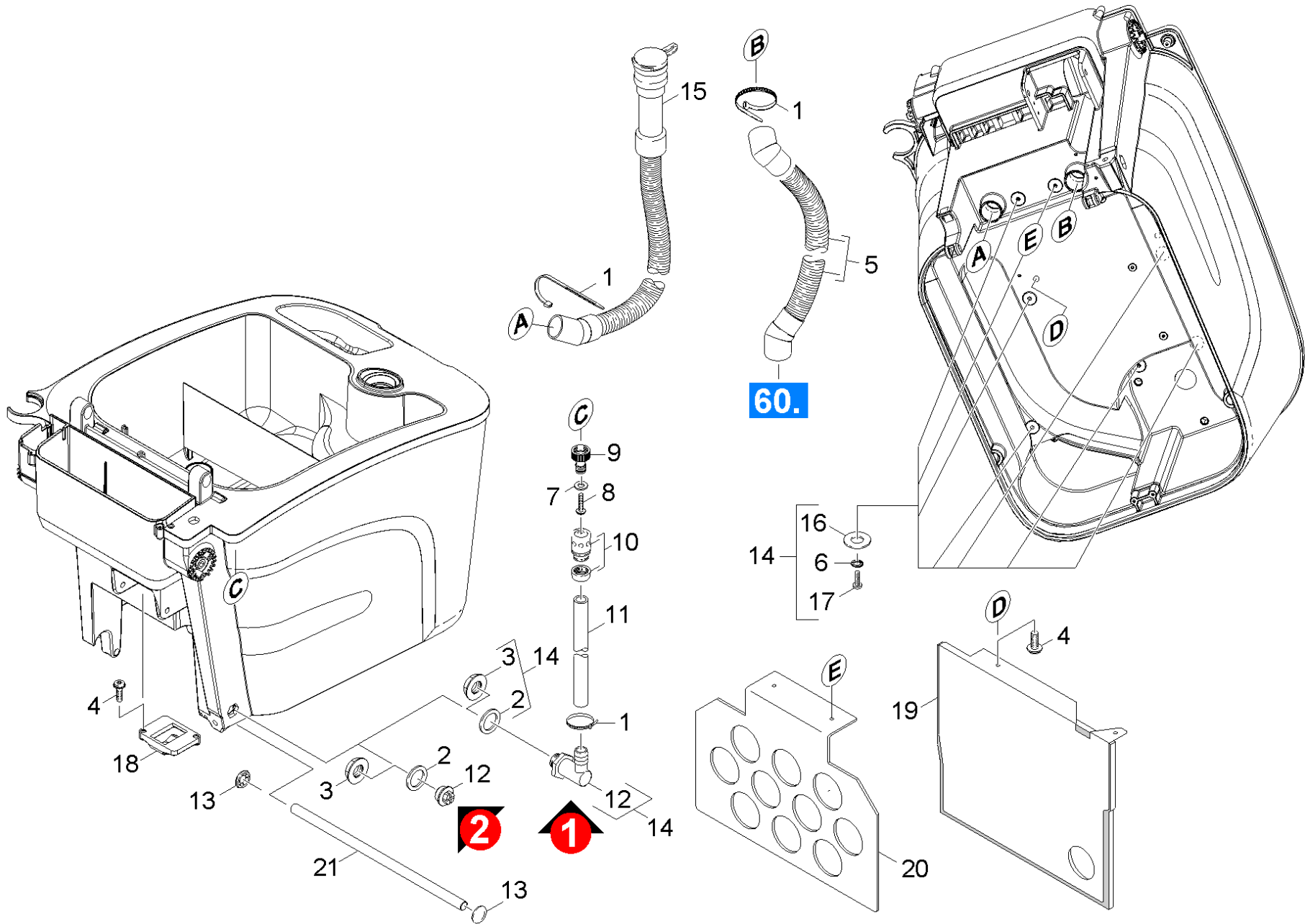
POS	Description	Quantity	Unit
12	Individual parts	1.000	ST
11	Tank	1.000	ST

11 Tank

POS	Article no.	Description	Quantity	Unit	Remark	Foot note text
27	6.490-260.0	Carbon brush set	1.000	ST		VERSION 2
	Item text1: /1.515-201/-202/-205/-206/-207/-251 /-252/-255/-256/-257/-258/-301/-302 /-303/-304/-306/-308/-351/-352/-353 /-354/-355/-356.0					
27	6.490-230.0	Carbon brush set	1.000	ST		VERSION 3
	Item text1: /1.515-201/-202/-205/-206/-207/-251 /-252/-255/-256/-257/-258/-301/-302 /-303/-304/-306/-308/-351/-352/-353 /-354/-355/-356.0					
27	6.610-221.0	Carbon brush set	1.000	ST		VERSION 1
	Item text1: //1.515-103/-105/ -106/-108/-153/					
	Item text2: -155/ -156/-159.0					
27	6.490-264.0	Carbon brush set	1.000	ST		VERSION 2
	Item text1: /1.515-101.0 / -102.0 / -107.0 / -108.0					
	Item text2: / -152.0 / -159.0					
3	4.032-012.0	Covering cap replacement	1.000	ST		
17	4.063-817.0	Cover replacement	1.000	ST		
8	5.585-042.0	Float	1.000	ST		
25	7.311-541.0	Hexagon nut M 6-8-A2E EN 1661	3.000	ST		
19	6.388-713.0	Hose clip	1.000	ST		
23	5.363-574.0	Joint ring	1.000	ST		
6	5.363-658.0	Joint ring	1.000	ST		
12	5.515-266.0	Joint ring fluffing strainer	1.000	ST		
15	5.363-647.0	Joint ring FW-SW	3.000	ST		
16	5.008-164.0	Plate closure tank	1.000	ST		
10	5.032-664.0	Plug vacuum channel	1.000	ST		
24	6.339-241.0	Rubber buffer 2xM6 D20 H12	3.000	ST	L=12mm	
24	6.339-021.0	Rubber buffer 2xM6-D20 H15	3.000	ST	L=15mm	
28	6.303-200.0	Screw 5x25-IN6RD	8.000	ST		
5	7.303-112.0	Screw 6x20 -10.9-R2R (In6Rd)	3.000	ST		
21	7.306-193.0	Screw M6x16 -A2-70 (In6Rd)	1.000	ST		
11	6.273-104.0	Seal cellular rubber /sealing soft tube	1.000	M		TO ORDER AS CUT GOODS
1	6.366-043.0	Sealing profile	1.000	M		TO ORDER AS CUT GOODS
26	5.363-669.0	Seal L shape	1.000	ST		
2	6.273-196.0	Seal string cellular rubber	1.000	M		TO ORDER AS CUT GOODS
18	6.388-949.0	Soundproof hose	1.000	ST		
	Item text1: /1.515-101/ -102/-103/-105/-106 /-107/-151/-152/-153/-155 /-156/-157.0					
18	6.390-215.0	Soundproof hose	1.000	ST		

11 Tank

POS	Article no.	Description	Quantity	Unit	Remark	Foot note text
	Item text1: /1.515-108/-159/-201/-202/-205/-206 /-207/-251/-252/-255/-256/-257/-258 /-301/-302/-303/-304/-306/-308/-351 /-352/-353/-354/-355/-356.0					
9	7.777-999.0	Stockpiling discontinued	1.000	ST		
20	5.308-056.0	Stud bolt	3.000	ST		
	Item text1: /1.515-155/ -156/-159.0					
20	5.317-125.0	Stud bolt	3.000	ST		
	Item text1: /1.515-101/-102/-103/-105/-106/-108 /-151/-152/-153/-201/-202/-205/-206 /-251/-252/-255/-256/-258/-301/-302 /-303/-304/-306/-308/-351/-352/-353 /-354/-355/-356.0					
14	4.071-221.0	Tank complete only for replacement BR/BD	1.000	ST		GREY
14	3.071-035.0	Tank replacement	1.000	ST		YELLOW
22	4.035-056.0	Vacuum motor replacement	1.000	ST		
	Item text1: /1.515-101/-102/-107/-108/-151					
	Item text2: /-152/-157/-159.0					
22	4.035-054.0	Vacuum motor replacement	1.000	ST		CARBON BRUSHES NOT REMOVEABLE
	Item text1: /1.515-201/-202/-205/-206/-207/-251 /-252/-255/-256/-257/-258/-301/-302 /-303/-304/-306/-308/-351/-352/-353 /-354/-355/-356.0					
22	4.035-055.0	Vacuum motor replacement	1.000	ST		
	Item text1: /1.515-103/-105/-106/-153					
	Item text2: /-155/-156.0					
7	7.312-266.0	Washer 6-A2 ISO 7094	1.000	ST		
13	5.071-157.0	Waste water tank	1.000	ST		

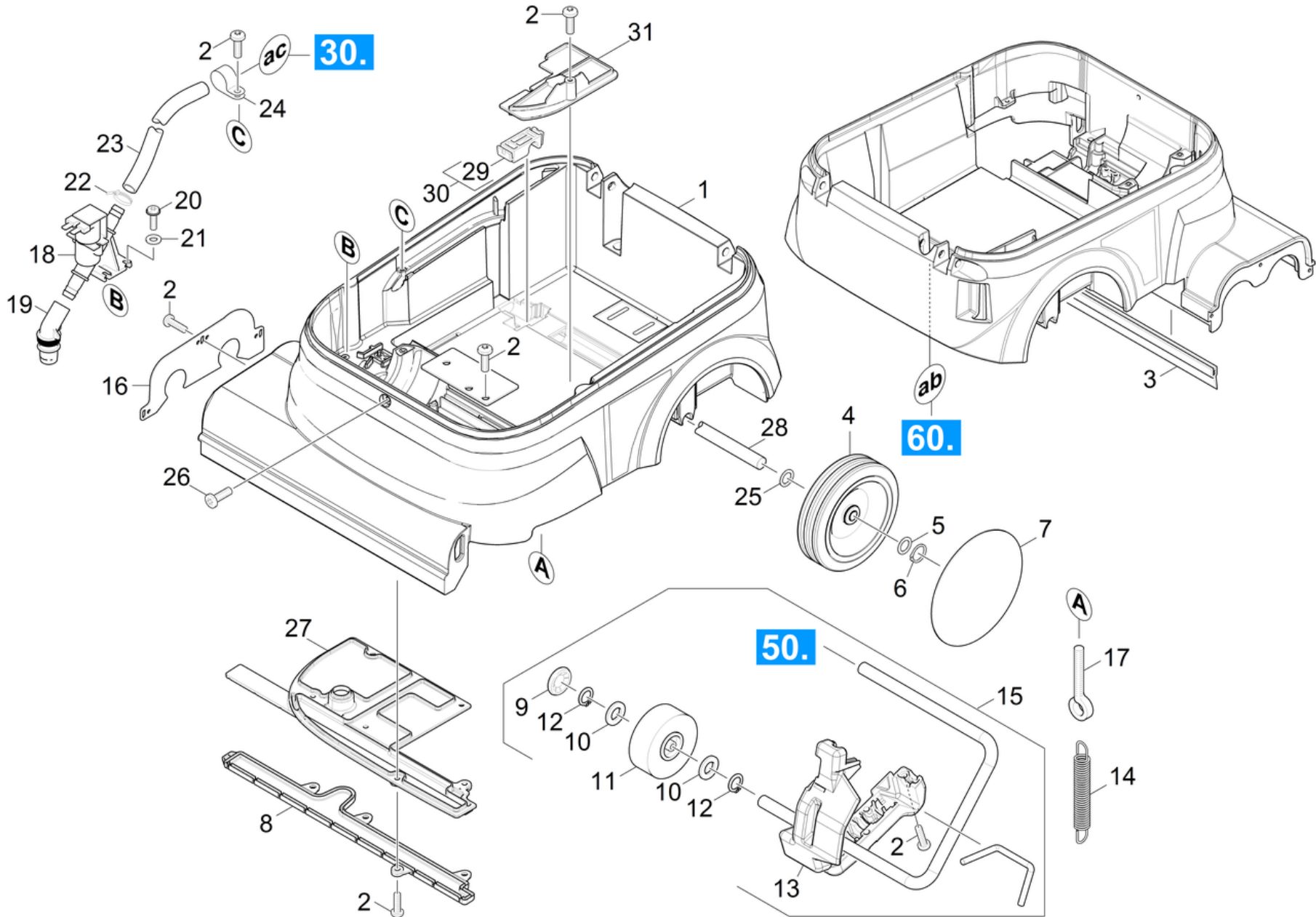


12 Individual parts

POS	Article no.	Description	Quantity	Unit	Remark	Foot note text
12	6.395-163.3	Angle bushing G1-2	1.000	ST	BR/BD 40/25 C EP//BR/BD 40/25 C BP	VERSION 1
21	5.105-403.0	Axle tank	1.000	ST		
1	6.641-474.0	Cable tape 8-210	3.000	ST		
9	6.391-468.0	Connection without seal 3/4"	1.000	ST	BR/BD 40/25 C EP//BR/BD 40/25 C BP	VERSION 1
15	6.391-307.0	Drain hose	1.000	ST		OIL RESISTANT
12	6.382-012.0	Drain plug plastics BR/BD 530 Ep Ratio	1.000	ST	ECO	VERSION 2
20	5.061-371.0	Guard plate	1.000	ST		
	Item text1: /1.515-107/-108/ -157/-159..0					
10	4.645-332.0	HOSE CONNECTOR 1/2" / 5/8" OPP	1.000	ST	BR/BD 40/25 C EP//BR/BD 40/25 C BP	VERSION 1
11	6.391-372.0	Hose silicon	1.000	ST	BR/BD 40/25 C EP//BR/BD 40/25 C BP	VERSION 1
16	5.363-648.0	Joint ring D14	7.000	ST		
18	5.032-826.0	Notch lever suction bar	1.000	ST		
19	4.008-008.0	Plate replacement sound insulation	1.000	ST		
	Item text1: /1.515-101/-102/-103/ -105/ -106					
	Item text2: /-151/-152/-153/ -155/-156.0					
13	6.343-127.0	Quick-fastener	2.000	ST		
4	7.303-107.0	Screw 5x16 -10.9-P2R (K-In6Rd)	4.000	ST		
17	7.303-086.0	Screw 5x30 -10.9-R2R (K-In6Rd)	8.000	ST		
8	7.303-118.0	Screw 5x40 -A2-70 (IN6Rd)	1.000	ST	BR/BD 40/25 C EP//BR/BD 40/25 C BP	VERSION 1
2	5.515-253.0	Seal D34	1.000	ST		
6	7.312-041.0	Serrated lock washer A5,3-1.4310 DIN 67	7.000	ST		
3	5.131-066.0	Sleeve discharge tank	1.000	ST		
5	6.391-474.0	Suction hose	1.000	ST		OIL RESISTANT
14	3.071-035.0	Tank replacement	1.000	ST	BR/BD 40/25 C EP//BR/BD 40/25 C BP	VERSION 1
7	7.312-282.0	Washer 5 -A2 ISO 7093-1	1.000	ST	BR/BD 40/25 C EP//BR/BD 40/25 C BP	VERSION 1

20 Frame

POS	Description	Quantity	Unit
22	Frame BD	1.000	ST
21	Frame BR	1.000	ST

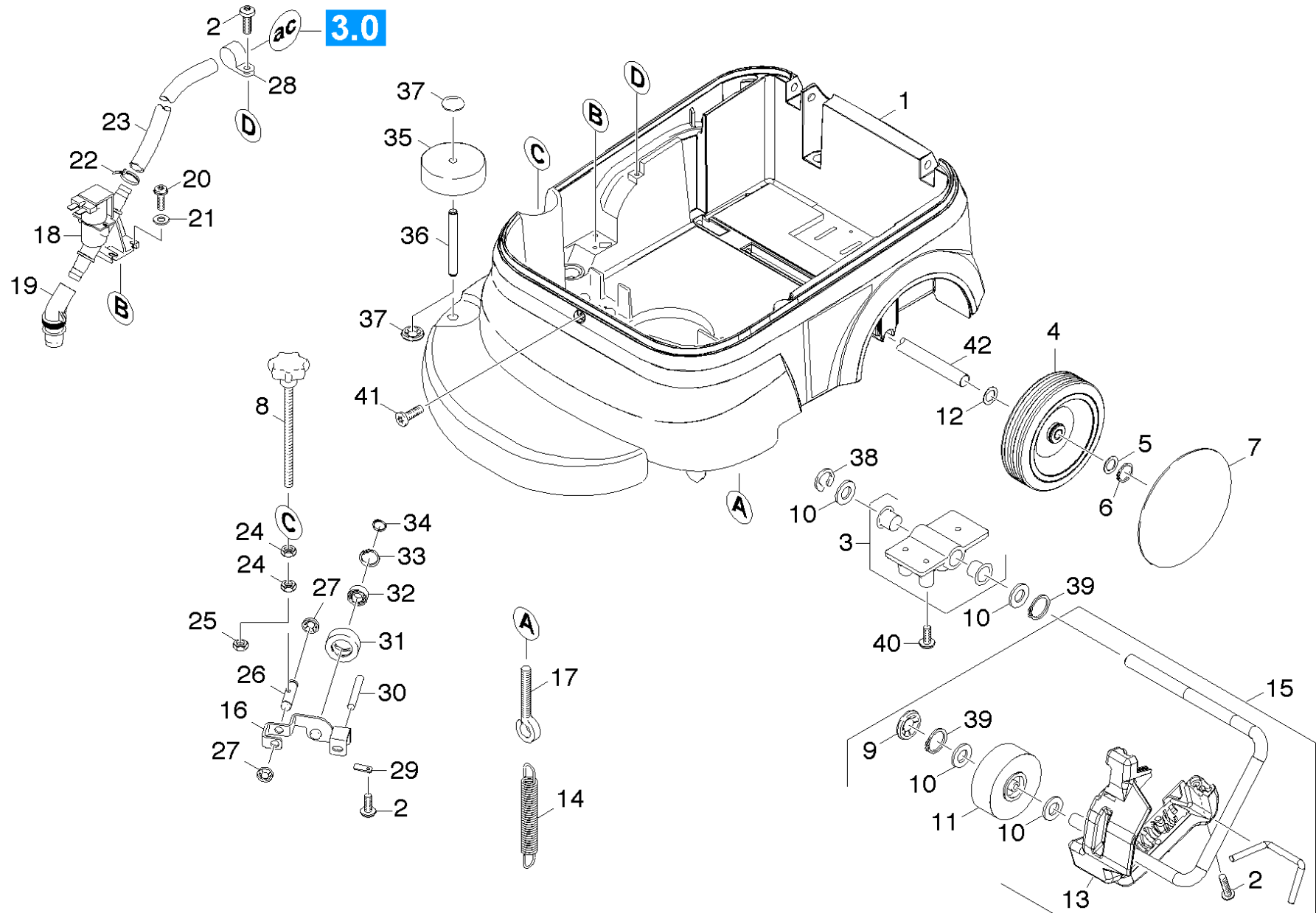


21 Frame BR

POS	Article no.	Description	Quantity	Unit	Remark	Foot note text
28	5.105-404.0	Axle wheel D15	1.000	ST		
22	6.641-474.0	Cable tape 8-210	1.000	ST		
15	4.044-067.0	Carriage replacement	1.000	ST		
30	2.882-701.0	Conversion kit adjustment axle	1.000	ST		
27	5.032-774.0	Covering cap brushes room	1.000	ST		
31	5.032-773.0	Covering cap motor exhaust air	1.000	ST		
29	5.051-240.0	Distance holder axle -14mm	2.000	ST		
29	5.051-238.0	Distance holder axle 0mm	2.000	ST		
14	6.330-241.0	Extension spring	1.000	ST		
17	6.951-256.0	Eye screw zinc-plated M5x15	1.000	ST		
1	5.050-243.0	Frame BR40/25C	1.000	ST		
8	5.032-654.0	Gutter	1.000	ST		
13	4.762-388.0	Half shell replacement	1.000	ST		
24	6.373-876.0	Hose clip	1.000	ST		
12	7.343-003.0	Locking ring 12x1-Rf-St DIN 471	2.000	ST		
6	7.343-004.0	Locking ring 15x1-FST-PHR DIN 471	2.000	ST		
16	5.011-993.0	Plate bearing brush BR 40/25	1.000	ST		
9	6.343-224.0	Quick-fastener	1.000	ST		
11	5.515-280.0	Roller D60	1.000	ST		
19	5.379-028.0	Rubber bushing rubber	1.000	ST		
20	7.303-026.0	Screw 4x16 -A2-70 (In6Rd)	2.000	ST		
2	7.303-212.0	Screw 5x20 -A2-70 (In6Rd)	15.000	ST		
26	7.306-090.0	Screw M6x16 -8.8-R3R (In6Rd)	1.000	ST		
25	7.343-065.0	Shim ring 15x21x0,5-A2 DIN 988	2.000	ST		
18	6.473-495.0	Solenoid valve 120V 60Hz	1.000	ST	120V	
18	4.672-003.0	Solenoid valve replacement 24V	1.000	ST	24V	
18	4.472-002.0	Solenoid valve replacement 220-240V 50/6	1.000	ST	220-240V	
23	6.390-892.0	Spiral hose NW12	1.000	M		TO ORDER AS CUT GOODS
3	6.951-255.0	Splash guard brush	1.000	ST		
5	5.115-608.0	Washer	2.000	ST		
21	7.312-293.0	Washer 4-A2 ISO 7093-1	2.000	ST		
10	7.312-054.0	Washer 12-A2 ISO 7090	2.000	ST		

21 Frame BR

POS	Article no.	Description	Quantity	Unit	Remark	Foot note text
7	6.435-301.0	Wheel cap neutrally	2.000	ST		BLACK
7	6.435-860.0	Wheel cap neutrally BR/BD 40/25 C	2.000	ST		GREY
4	6.435-356.0	Wheel D200	2.000	ST		

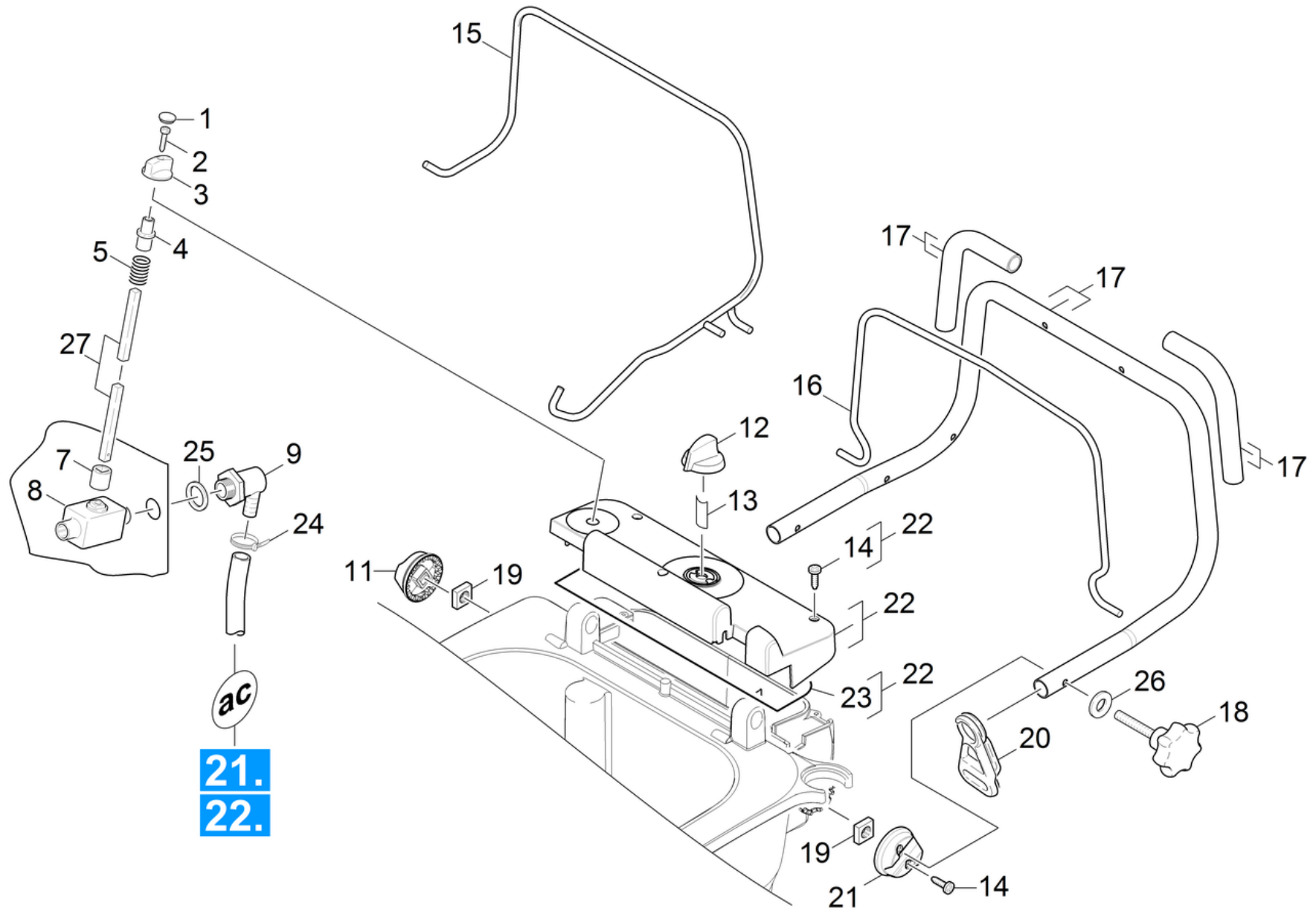


22 Frame BD

POS	Article no.	Description	Quantity	Unit	Remark	Foot note text
26	5.105-565.0	Axle	1.000	ST		
36	5.105-566.0	Axle deflector roll	1.000	ST		
30	5.105-564.0	Axle pressure roller	1.000	ST		
42	5.105-404.0	Axle wheel D15	1.000	ST		
32	7.401-128.0	Ball bearing 6202-2RS -Wälzl.St DIN 625	1.000	ST		
3	4.251-047.0	Bearing support replacement	1.000	ST		
22	6.641-474.0	Cable tape 8-210	1.000	ST		
15	4.044-063.0	Carriage complete BD	1.000	ST		
35	5.515-275.0	Deflector roll	1.000	ST		
14	6.330-241.0	Extension spring	1.000	ST		
17	6.951-256.0	Eye screw zinc-plated M5x15	1.000	ST		
1	5.050-261.0	Frame BD	1.000	ST		
13	4.762-388.0	Half shell replacement	1.000	ST		
25	7.311-432.0	Hexagon nut M 8-1.4305 ISO 10511	1.000	ST		
24	7.311-068.0	Hexagon nut M 8-A2-70 ISO 4032	2.000	ST		
28	6.373-876.0	Hose clip	1.000	ST		
16	4.044-068.0	Lever pressure roller	1.000	ST		
39	7.343-003.0	Locking ring 12x1-Rf-St DIN 471	2.000	ST		
6	7.343-004.0	Locking ring 15x1-FST-PHR DIN 471	2.000	ST		
34	7.343-015.0	Locking ring 15x1-FST-RF DIN 471	1.000	ST		
33	7.343-167.0	Locking ring 35x1,5-FST-BR DIN 472	1.000	ST		
38	7.343-047.0	Lock washer 10-FST-A2E DIN 6799	1.000	ST		
27	7.343-206.0	Lock washer 12-2.1030 DIN 6799	2.000	ST		
9	6.343-224.0	Quick-fastener	1.000	ST		
37	6.343-224.0	Quick-fastener	2.000	ST		
11	5.515-280.0	Roller D60	1.000	ST		
31	4.035-198.0	Roller for replacement	1.000	ST		
19	5.379-028.0	Rubber bushing rubber	1.000	ST		
20	7.303-026.0	Screw 4x16 -A2-70 (In6Rd)	2.000	ST		
2	7.303-212.0	Screw 5x20 -A2-70 (In6Rd)	8.000	ST		
40	7.303-113.0	Screw 6x25 -10.9-R2R (In6Rd)	3.000	ST		
41	7.306-090.0	Screw M6x16 -8.8-R3R (In6Rd)	1.000	ST		

22 Frame BD

POS	Article no.	Description	Quantity	Unit	Remark	Foot note text
12	7.343-065.0	Shim ring 15x21x0,5-A2 DIN 988	2.000	ST		
18	6.473-495.0	Solenoid valve 120V 60Hz	1.000	ST	120V	
18	4.672-003.0	Solenoid valve replacement 24V	1.000	ST	24V	
18	4.472-002.0	Solenoid valve replacement 220-240V 50/6	1.000	ST	220-240V	
23	6.390-892.0	Spiral hose NW12	1.000	M		TO ORDER AS CUT GOODS
8	6.321-189.0	Star grip	1.000	ST		
29	5.004-990.0	Strap pressure roller	2.000	ST		
5	5.115-608.0	Washer	2.000	ST		
21	7.312-293.0	Washer 4-A2 ISO 7093-1	2.000	ST		
10	7.312-054.0	Washer 12-A2 ISO 7090	4.000	ST		
7	6.435-301.0	Wheel cap neutrally	2.000	ST		BLACK
7	6.435-860.0	Wheel cap neutrally BR/BD 40/25 C	2.000	ST		GREY
4	6.435-356.0	Wheel D200	2.000	ST		



30 Individual parts

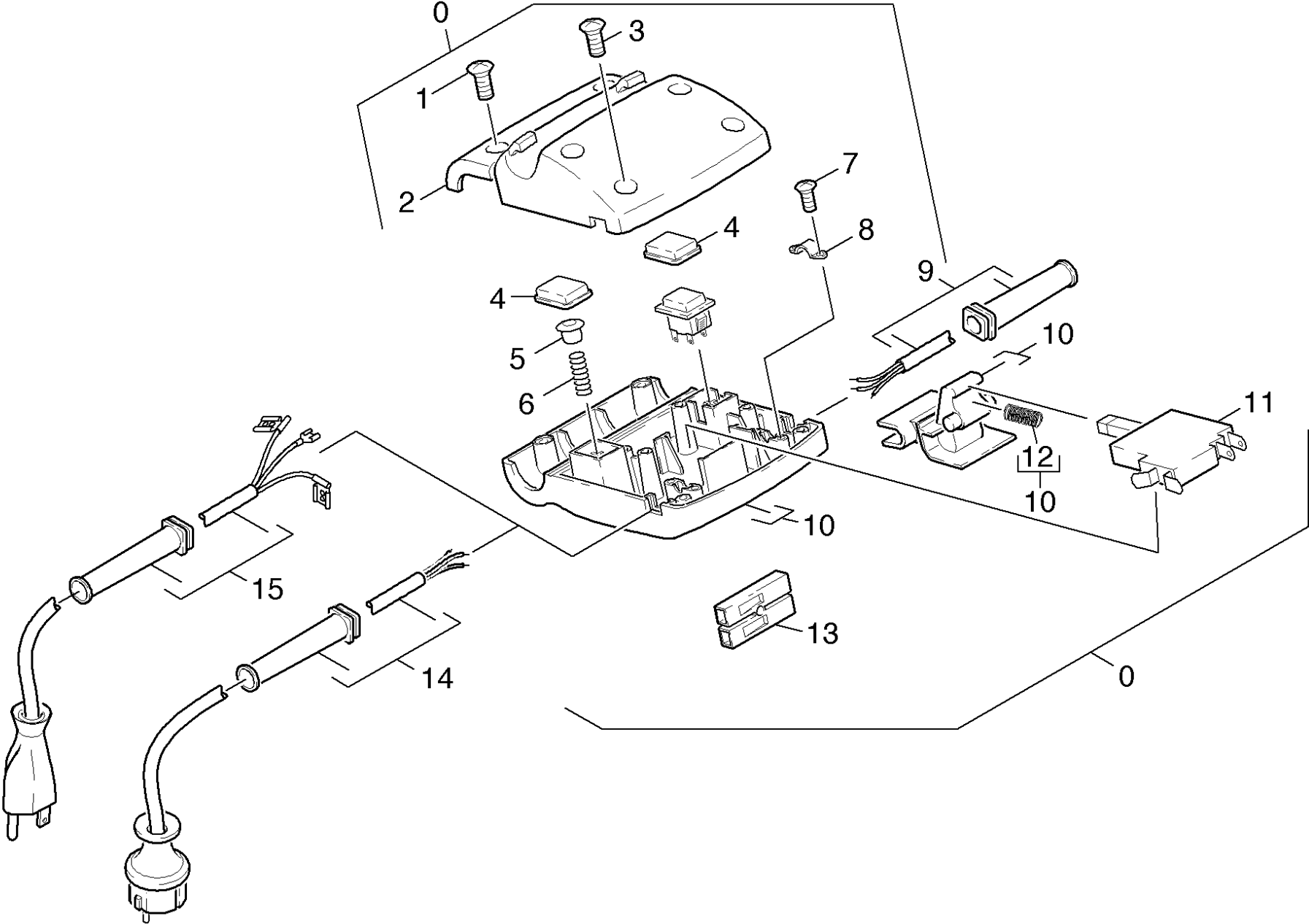
POS	Article no.	Description	Quantity	Unit
9	6.395-162.0	Angle bushing G3-8	1.000	ST
8	6.412-289.0	Ball valve	1.000	ST
27	5.107-265.0	Bar square	1.000	ST
24	6.641-474.0	Cable tape 8-210	1.000	ST
4	5.470-034.0	Coupler	1.000	ST
7	5.470-068.0	Coupler	1.000	ST
22	4.032-013.0	Covering cap replacement	1.000	ST
21	5.032-755.0	Fixing retaining bracket left	1.000	ST
11	5.032-754.0	Fixing retaining bracket right	1.000	ST
3	5.321-509.0	Handhold	1.000	ST
12	5.321-738.0	Handhold operational concept	1.000	ST
5	5.332-290.0	Helical spring	1.000	ST
25	5.515-274.0	Joint ring	1.000	ST
1	6.368-076.0	Ornamental hub cap D10/D12	1.000	ST
16	4.034-233.0	Retaining bracket complete replacement B	1.000	ST
		Item text1: /1.515-102/-103/-108/-152/-153		
		Item text2: /-159.0		
15	4.034-234.0	Retaining bracket complete replacement B	1.000	ST
		Item text1: //1.515-202/-252/-304/-354.0		
17	4.034-137.0	Retaining bracket handhold replacement	1.000	ST
		Item text1: //1.515-201/-202/-205/-206/-207/-251 /-252/-255/-256/-257/-301/-302/-303 /-304/-307/-351/-352/-353/-354/ -357.0		
17	4.034-132.0	Retaining bracket replacement	1.000	ST
		Item text1: //1.515-101/-102/-103/ -105/ -106/ -107/		
		Item text2: -151/-152/-153/-155/ -156/ -157.0		
15	4.034-138.0	Retaining bracket replacement Bp	1.000	ST
		Item text1: //1.515-201/-205/-206/-207/-251/-255/ -256/-257/-301/-302/-303/-307/-351/-352/ -353/-357.0		
16	4.034-133.0	Retaining bracket replacement Bp	1.000	ST
		Item text1: //1.515-101/ -105/ -106/ -107/ -151/		
		Item text2: -155/ -156/ -157.0		
14	7.303-108.0	Screw 5x20 -10.9-R2R (In6Rd)	5.000	ST
23	5.362-009.0	Seal control panel	1.000	ST
2	7.303-065.0	Sheet metal screw ST3,5X25-ST-A2R (IN6R)	1.000	ST
13	6.313-014.0	Spring element	1.000	ST

30 Individual parts

POS	Article no.	Description	Quantity	Unit
19	7.311-570.0	Square nut M8 -05-A2E DIN 557	2.000	ST
18	6.321-179.0	Star grip	2.000	ST
20	6.641-776.0	Strain relief	1.000	ST
Item text1: /1.515-101/-102/-103/-105/-106/-107 /-108/-151/-152/-153/-155/-156/-157 /-159/-301/-302/-303/-304/-306/-307 /-308/-351/-352/-353/-354/-355/-356 /-357.0				
26	7.312-277.0	Washer 8-200HV-A2E ISO7093-1	2.000	ST

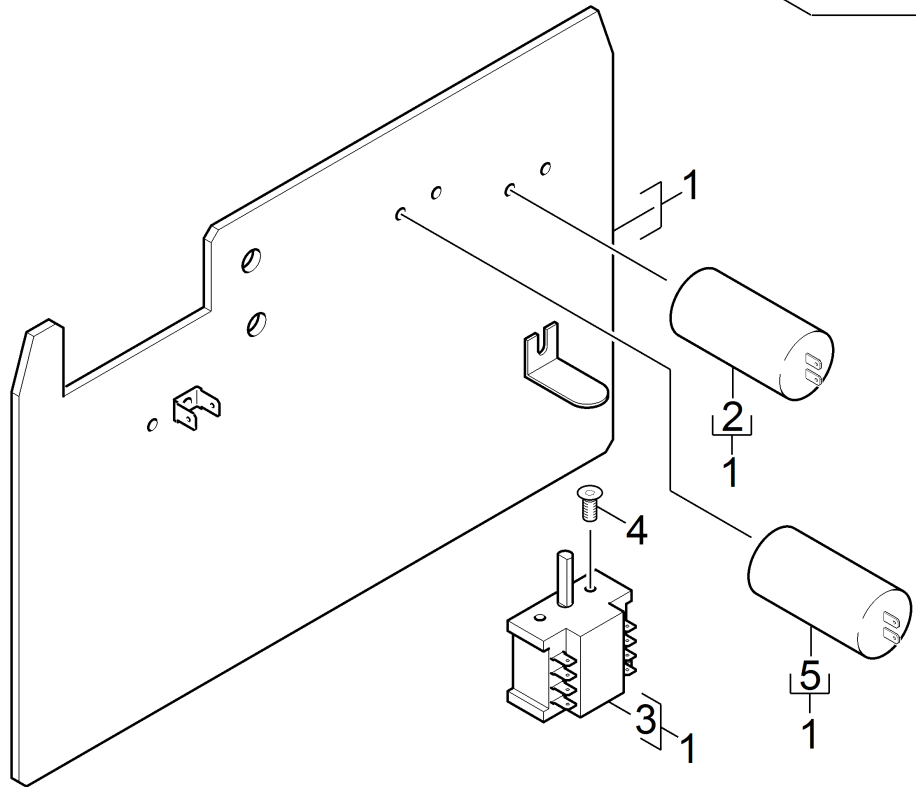
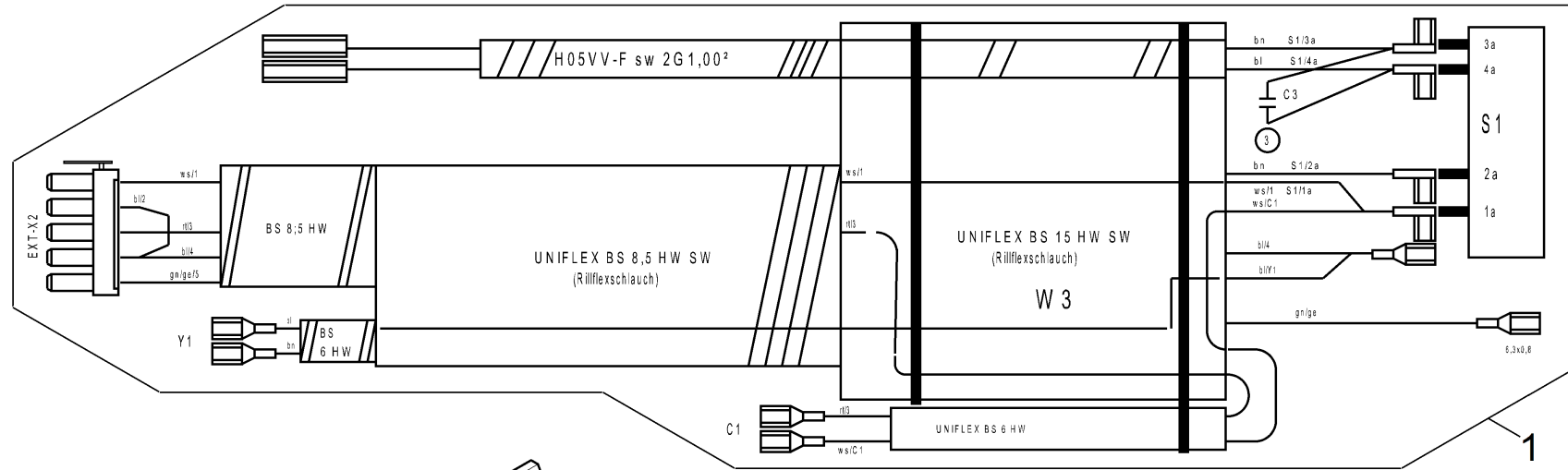
40 Electricics

POS	Description	Quantity	Unit
44	Cable harness (4.822-375.0) Item text1: 1.515-301.0 / -302.0 / -303.0 / -304.0 / -306.0 / -307.0 / -308.0 / -351.0 / -352.0 / -354.0 / -355.0 / -356.0 / -357.0	1.000	ST
41	Control system mains	1.000	ST
42	Electric equipment mains	1.000	ST
43	Electricics battery	1.000	ST



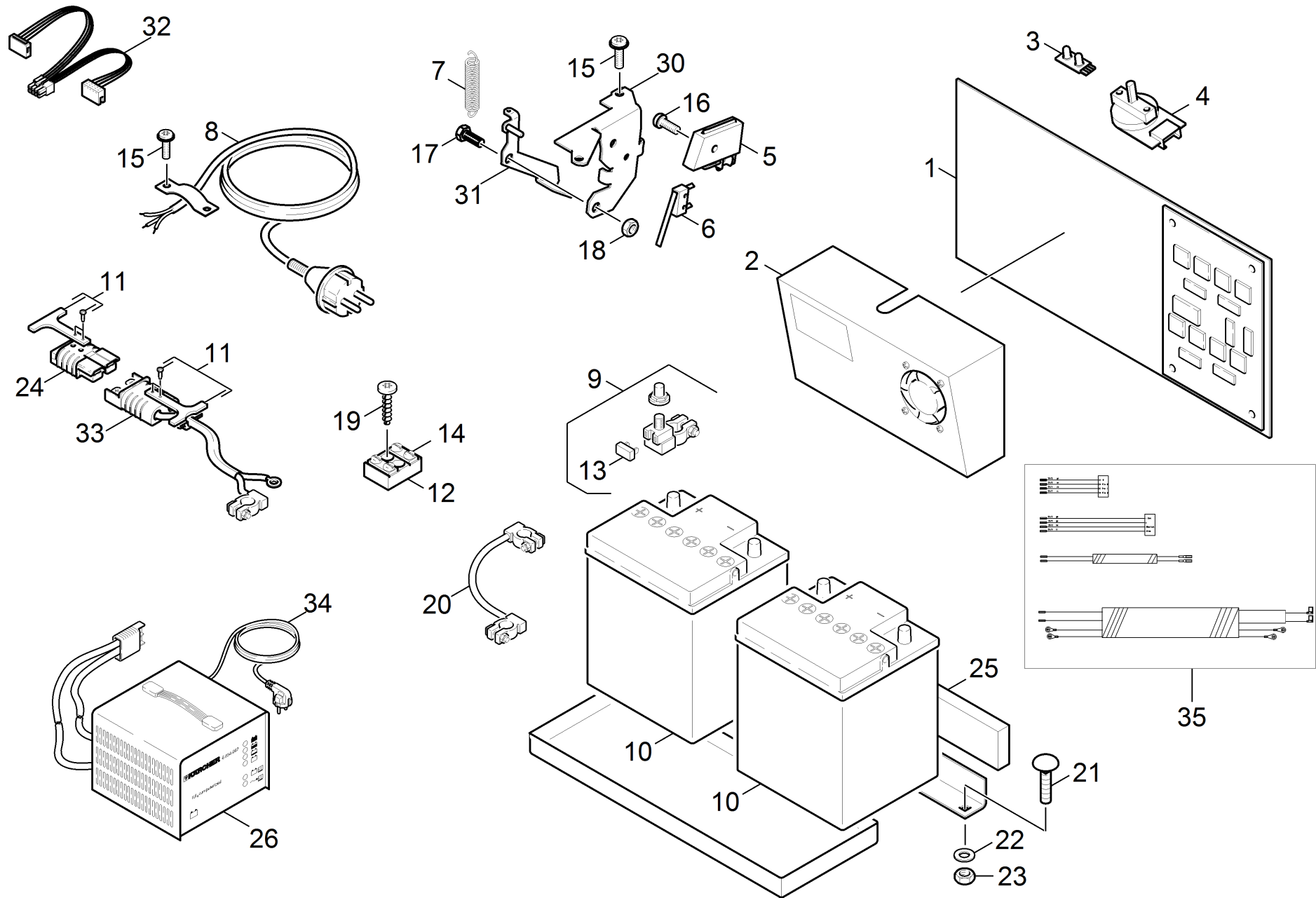
41 Control system mains

POS	Article no.	Description	Quantity	Unit
8	6.373-319.0	Cable clamp R 8	2.000	ST
14	4.822-086.0	Cable harness with plug	1.000	ST
	Item text1: /1.515-101/-102/ -107/-108/ -151/-152			
	Item text2: /-157/-159.0			
15	4.822-106.0	Cable harness with plug BR VARIO USA	1.000	ST
	Item text1: //1.515 -103/-105/-106/-153/-155/-156.0			
9	6.649-196.0	Cable with rubber bushing	1.000	ST
4	6.631-618.0	Cap	2.000	ST
12	5.332-462.0	Helical spring	1.000	ST
6	5.332-447.0	Helical spring 0,63X10X28X5,5	1.000	ST
2	5.031-507.0	Housing push handle above	1.000	ST
10	4.031-012.0	Housing push handle bottom	1.000	ST
0	4.605-076.0	Housing replacement	1.000	ST
	Item text1: /1.515-101/ -107/-108/ -151/ -157			
	Item text2: /-159.0			
0	4.605-085.0	Housing switch 120V 60Hz	1.000	ST
	Item text1: /1.515-102/-103/-105/ -106/-152/-153/			
	Item text2: -155/ -156.0			
13	6.648-094.0	Insulation sheath double 6,3	1.000	ST
11	6.630-392.0	Main switch	1.000	ST
	Item text1: //1.515-101/-102/ -107/-108/ -151/-152			
	Item text2: /-157/-159.0			
11	6.630-408.0	Main switch 120V 60Hz	1.000	ST
	Item text1: /1.515-103/-105/ -106/-153/ -155			
	Item text2: / -156.0			
5	6.368-311.0	Plug 8,5	1.000	ST
7	7.303-102.0	Screw 3,5x12 -A2-70-bk (In6Rd)	4.000	ST
1	6.303-200.0	Screw 5x25-IN6RD	2.000	ST
3	7.303-063.0	Sheet metal screw ST3,5X16-ST-R2R (IN6R	6.000	ST



42 Electric equipment mains

POS	Article no.	Description	Quantity	Unit
2	6.661-220.0	Capacitor	1.000	ST
	Item text1: //1.515 -103/-105/ -106/-153/ -155			
	Item text2: / -156.0			
5	6.661-290.3	Capacitor 30mF	1.000	ST
	Item text1: /1.515-101/-102/ -107/-108/-151/-152			
	Item text2: /-153/-155/-156/-157/-159.0			
4	7.305-036.0	Countersunk screw M4x12 -A2-70-s (IN6RD	2.000	ST
1	2.816-091.0	Electric equipment AWG BD 40/25Ep	1.000	ST
	Item text1: /1.515-153/-155/ -156.0			
1	2.816-089.0	Electric equipment AWG BR40/25Ep	1.000	ST
	Item text1: /1.515-103/-105/ -106.0			
1	2.816-085.0	Electric equipment BD 40/25 Ep	1.000	ST
	Item text1: /1.515-151/-152/ -157/-159.0			
1	2.816-082.0	Electric equipment BR 40/25 Ep	1.000	ST
	Item text1: /1.515-101/-102/ -107/-108.0			
3	6.630-391.0	Switch mains	1.000	ST



43 Electricics battery

POS	Article no.	Description	Quantity	Unit	Remark	Foot note text
26	6.654-329.0	Battery charger 12A IEB	1.000	ST		
	Item text1: /6.654-093.0					
26	6.654-329.0	Battery charger 12A IEB	1.000	ST		
	Item text1: /6.654-264.0					
26	6.654-067.0	Battery charger 24V	1.000	ST		LOW-MAINTENANCE
	Item text1: /1.515-201/-202/-207/-251/-252/-257					
	Item text2: /-258.0					
2	6.654-233.0	Battery charger only for replacement	1.000	ST		
	Item text1: /1.515-301/ -302/ -303/ -304/-306/-307					
	Item text2: /-308/-351/-352/-355/-356/-357.0					
20	6.649-879.0	Cable battery 25 mm². 160 mm	1.000	ST		
	Item text1: /1.515-301/ -302/ -303/-306/-307 /-308/-351/-352/-353/-355/-356 /-357.0					
33	4.839-421.0	Cable battery only for replacement	1.000	ST		
35		Cable harness 40/25 Bp	1.000	ST		
32	5.820-091.0	Cable W2, W3	1.000	ST		
8	6.649-247.0	Cable with plug	1.000	ST	/*EU	
	Item text1: /1.515-301/-302/-303/-304/-306/-307/-308					
	Item text2: /-351/-352/-354/-355/-356/-357.0					
8	6.649-497.0	Cable with plug *GB	1.000	ST	/*GB	
	Item text1: /1.515-353.0					
3	6.682-776.0	Circuit board LED BR/BD 40/25	1.000	ST		
20	6.650-440.0	Connecting cable battery 25 mm²	1.000	ST		
	Item text1: /1.515-304.0 / -354.0					
25	5.005-286.0	Distance plate battery	3.000	ST	300mmx30mmx10mm	
	Item text1: /1.515-307/-357.0					
25	5.005-399.0	Distance plate battery	3.000	ST	300mmx35mmx10mm	
	Item text1: /1.515-307/-308/-356/-357.0					
10	6.654-093.0	Drive battery 12V 76AH	2.000	ST	76Ah	MAINTENANCE-FREE
10	6.654-226.3	Drive battery maintenance free 60Ah	2.000	ST	60Ah	MAINTENANCE-FREE
10	6.654-264.0	Drive battery maintenance free 80Ah	2.000	ST	80Ah	MAINTENANCE-FREE
1	6.682-777.0	Electronics BR/BD 40/25 Bp	1.000	ST		
	Item text1: /1.515-201/-202/ -205/ -206/ -207/ -251					
	Item text2: /-252/-255/ -256/ -257/-258.0					

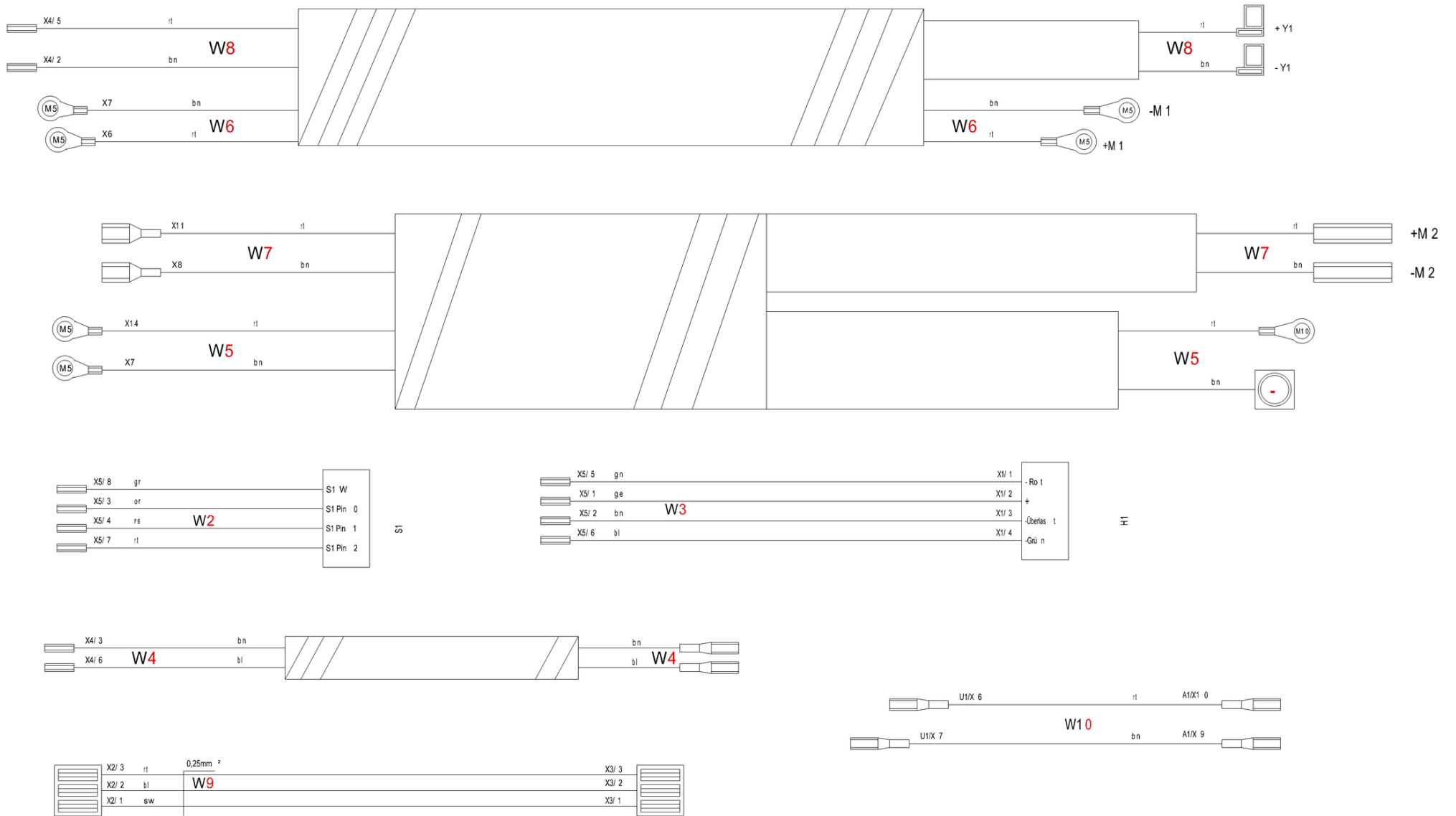
43 Electricics battery

POS	Article no.	Description	Quantity	Unit	Remark	Foot note text
1	6.682-042.0	Electronics BR/BD 40/25 Bp	1.000	ST		
	Item text1: /1.515-304.0 / -354.0					
1	6.682-778.0	Electronics BR/BD 40/25 Bp Pack	1.000	ST		
	Item text1: /1.515-351.0					
1	6.682-913.0	Electronics BR/BD 40/25 C Bp Pack	1.000	ST		
	Item text1: /1.515-301.0 / -303.0					
1	6.682-915.0	Electronics BR/BD 40/25 C Bp Pack ECO	1.000	ST		
	Item text1: /1.515-307/-308/-356/-357.0					
1	6.682-914.0	Electronics BR/BD 40/25 C Bp Pack Nass	1.000	ST		
	Item text1: /1.515-302/-306/-352/-355.0					
7	6.330-011.0	Extension spring	1.000	ST		
13	6.644-362.0	Fuse replacement 75A	1.000	ST		
11	6.321-192.0	Hand grip SB50-HDL	2.000	ST		
17	7.304-382.0	Hexagonal head screw M 6x12-8.8-A2E ISO	1.000	ST		
18	7.311-425.0	Hexagon nut M6 -04-A2E ISO 10511	1.000	ST		
23	7.311-022.0	Hexagon nut M 6-A2-70 ISO 7040	2.000	ST		
5	5.060-998.0	Housing micro switch	1.000	ST		
6	6.630-331.0	Micro switch	1.000	ST		
24	6.646-140.0	Plug two-pole 50A-	1.000	ST		
9	6.643-954.0	Pole binder single 75A	1.000	ST		
34	6.650-114.0	Power cable only for replacement	1.000	ST		
21	7.303-139.0	Saucer-head screw M6x20 -A2 DIN 603	2.000	ST		
16	7.303-129.0	Screw 4x16 -10.9-R2R (K-In6Rd)	1.000	ST		
15	7.303-107.0	Screw 5x16 -10.9-P2R (K-In6Rd)	3.000	ST		
19	7.303-212.0	Screw 5x20 -A2-70 (In6Rd)	1.000	ST		
14	7.306-067.0	Screw M 5x8-ST- 8.8-R2R (IN6RD)	4.000	ST		
31	5.044-748.0	Sheet metal component lever	1.000	ST		
30	5.044-747.0	Sheet metal component switch	1.000	ST		
12	6.643-840.0	Strip terminal	1.000	ST	(+7.306-067.0)	
4	2.630-001.0	Switch program selection	1.000	ST		

43 Electricics battery

POS	Article no.	Description	Quantity	Unit	Remark	Foot note text
22	7.312-266.0	Washer 6-A2 ISO 7094	2.000	ST		

44 Cable harness (4.822-375.0)

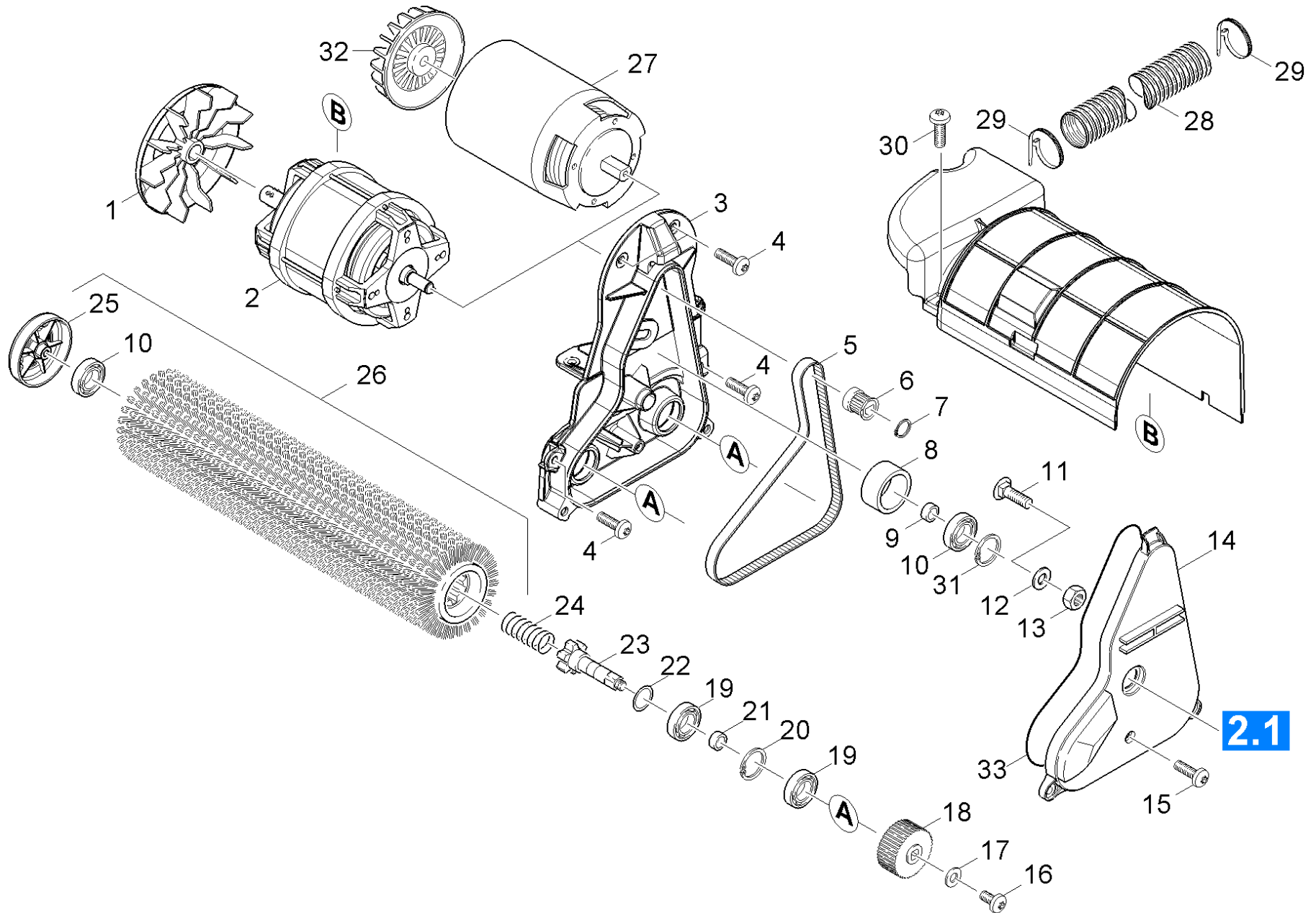


44 Cable harness (4.822-375.0)

POS	Article no.	Description	Quantity	Unit
1	4.822-375.0	Cable harness 40/25 Bp PACK	1.000	ST

50 Brush-head

POS	Description	Quantity	Unit
53	Brush-head BD "Bp" Item text1: /1.515-251/-255/-256/-257/-258 /-351/-352/-353/-354/-355/-356 /-357.0	1.000	ST
52	Brush-head BD "Ep" Item text1: /1.515-151/-152/-153/-155/-156 Item text2: /-157/-159.0	1.000	ST
51	Brush-head BR	1.000	ST

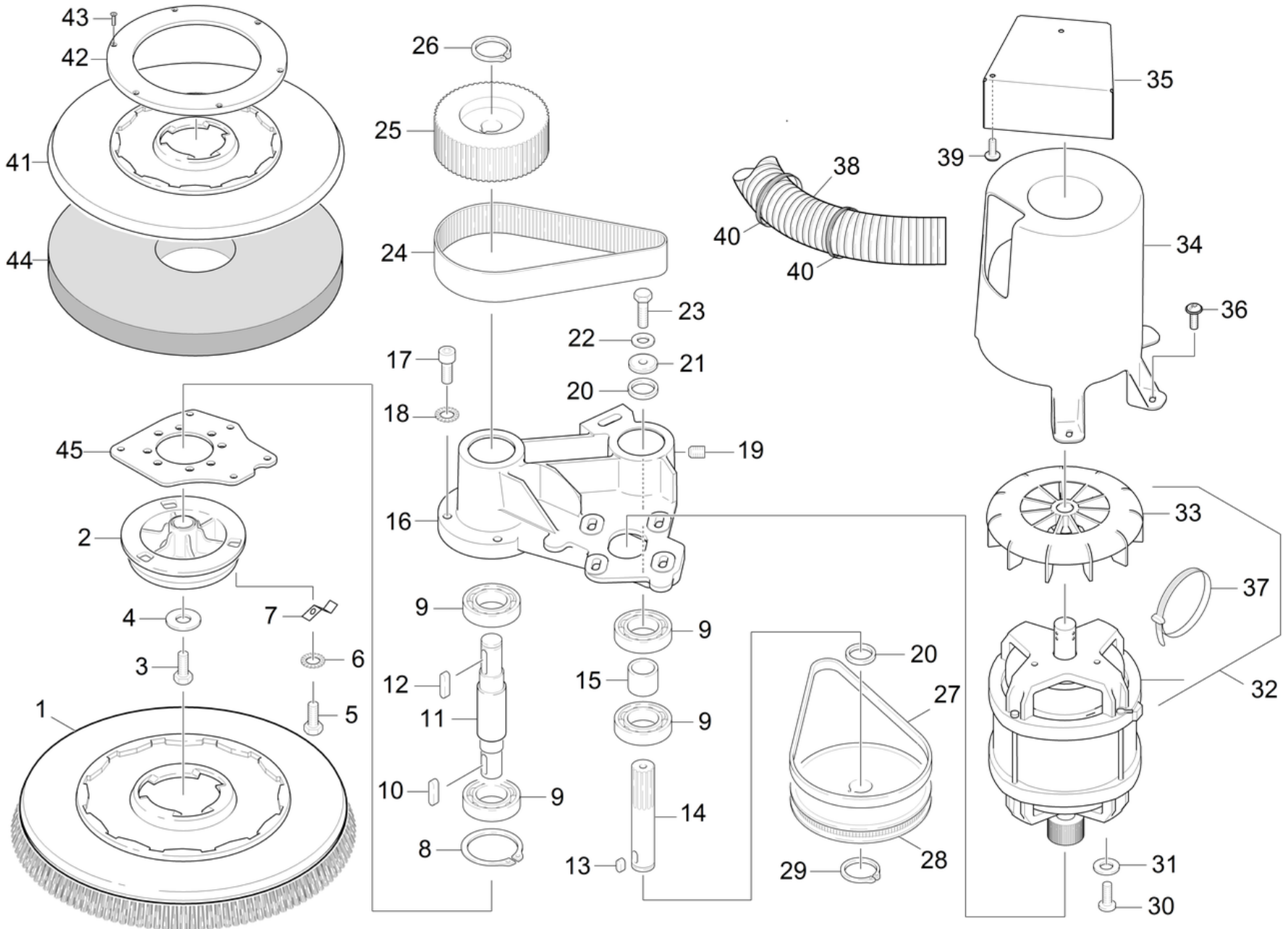


51 Brush-head BR

POS	Article no.	Description	Quantity	Unit	Foot note text
10	6.401-363.0	Ball bearing	2.000	ST	
19	7.401-115.0	Ball bearing 6002-2RS -WAE LZLAGST DIN 62	4.000	ST	
6	5.625-318.0	Belt pulley 21Z	1.000	ST	
18	5.625-357.0	Belt pulley 56Z HTD 3M	2.000	ST	
1	6.612-764.0	Blower wheel	1.000	ST	
	Item text1: /1.515-101/-102/-103/-105/-106/-107				
	Item text2: /-108.0				
32	6.613-025.0	Blower wheel	1.000	ST	
29	6.647-081.0	Cable tape	2.000	ST	
	Item text1: /1.515-101/-102/103/-105/-106.0				
14	5.032-632.0	Covering cap gear	1.000	ST	
27	6.613-293.0	Direct current motor	1.000	ST	
	Item text1: //1.515-201/-202/-205/-206/-207/-301				
	Item text2: /-302/-303/-304/-306/-307/-308.0				
3	4.093-001.0	Gear case replacement	1.000	ST	
24	5.332-114.0	Helical spring	2.000	ST	
13	7.311-510.0	Hexagon nut M 8-8-A2E ISO 7040	1.000	ST	
28	6.391-445.0	Hose air circulation	1.000	ST	
	Item text1: /1.515-101/-102/103/-105/-106.0				
22	6.363-469.0	Joint ring stainless steel Nilos 6002	2.000	ST	
7	7.343-003.0	Locking ring 12x1-Rf-St DIN 471	1.000	ST	
31	7.343-151.0	Locking ring 28x1,2-FST-RF DIN 472	1.000	ST	
20	7.343-231.0	Locking ring 32x1,2 -St-ph DIN 472	2.000	ST	
2	6.612-889.0	Motor 120V 60Hz	1.000	ST	
	Item text1: //1.515-103/-105/ -106.0				
2	4.612-005.0	Motor replacement	1.000	ST	
	Item text1: /1.515-101/-102/ -107/-108.0				
26	4.762-481.0	Roller brush black complete	2.000	ST	
26	4.762-252.0	Roller brush green (old colour grey)	2.000	ST	
26	4.762-274.0	Roller brush horsehair nature BR VS 400	2.000	ST	
26	4.762-251.0	Roller brush orange (old colour red)	2.000	ST	
26	4.762-003.0	Roller brush red complete	2.000	ST	
26	4.762-250.0	Roller brush white (old colour black)	2.000	ST	

51 Brush-head BR

POS	Article no.	Description	Quantity	Unit	Foot note text
11	7.303-194.0	Saucer-head screw M8x25-St-A0P DIN 603	1.000	ST	
30	7.303-212.0	Screw 5x20 -A2-70 (In6Rd)	2.000	ST	
	Item text1: /1.515-101/-102/103/-105/-106.0				
16	6.304-180.0	Screw M6X12-A2/70-ISO7045 (IN6RD)	2.000	ST	
15	7.303-047.0	Screw M6x16 -St-R3R (In6Rd)	3.000	ST	
4	7.306-194.0	Screw M6x20 -A2-70 (In6Rd)	4.000	ST	
33	6.273-037.0	Seal string cellular rubber 3	1.000	M	TO ORDER AS CUT GOODS
23	5.100-494.0	Shaft transmission replacement	2.000	ST	
25	4.038-677.0	Sheet metal component thread deflector	2.000	ST	
21	5.110-996.0	Spacer sleeve bearing	2.000	ST	
9	5.110-027.0	Spacer sleeve roller	1.000	ST	
8	5.317-126.0	Tension roller gear BR 40/25	1.000	ST	
5	6.348-417.0	Toothed belt HTD-570-3M-15 CXPIII	1.000	ST	
17	7.312-276.0	Washer 6 -200HV-A2E ISO7093-1	2.000	ST	
12	7.312-017.0	Washer 8-A2 ISO 7089	1.000	ST	

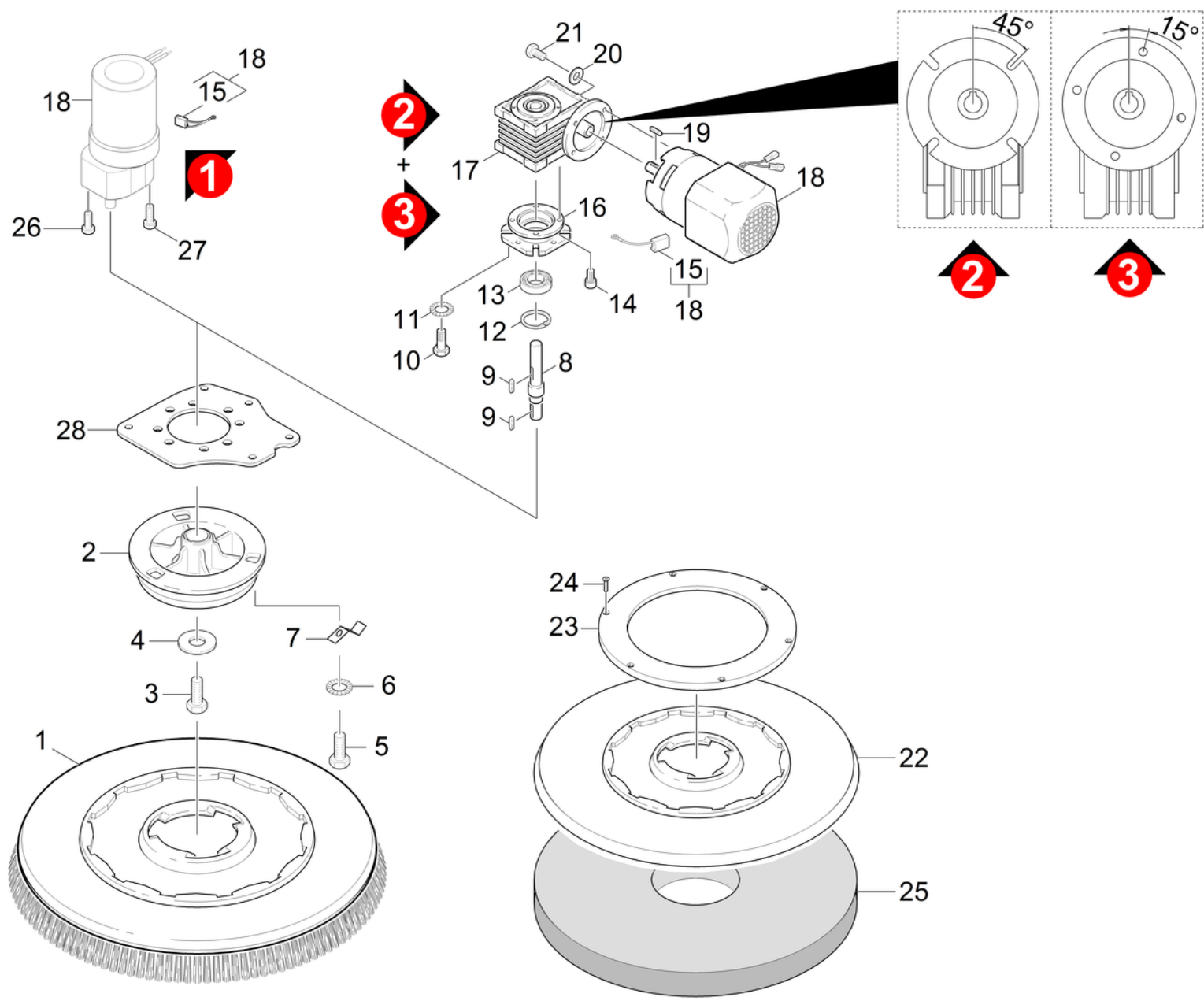


52 Brush-head BD "Ep"

POS	Article no.	Description	Quantity	Unit	Foot note text
34	5.692-078.0	Air circulation	1.000	ST	
9	7.401-173.0	Ball bearing 6204-2RS-WAELZLAGST DIN 625	4.000	ST	
33	6.612-764.0	Blower wheel	1.000	ST	
20	5.112-616.0	Bush	2.000	ST	
15	5.112-619.0	Bush for belt drive	1.000	ST	
40	6.647-081.0	Cable tape	2.000	ST	
37	6.649-025.0	Cable tie 3,6x140	1.000	ST	
44	6.371-236.0	Diamond pad green set 5x Ø381	1.000	ST	GREEN
44	6.371-252.0	Diamond pad white set 5x Ø381	1.000	ST	BROWN
44	6.371-252.0	Diamond pad white set 5x Ø381	1.000	ST	WHITE
44	6.371-253.0	Diamond pad yellow set 5x Ø381	1.000	ST	VIOLET
44	6.371-253.0	Diamond pad yellow set 5x Ø381	1.000	ST	YELLOW
1	6.907-152.0	Disc brush black	1.000	ST	
1	6.907-160.0	Disc brush multicoloured	1.000	ST	
1	6.907-153.0	Disc brush nature	1.000	ST	
1	6.907-151.0	Disc brush red	1.000	ST	
1	6.907-154.0	Disc brush white	1.000	ST	
41	6.906-493.0	Disk pad	1.000	ST	
2	4.122-140.0	Flange complete	1.000	ST	
21	5.115-913.0	Flanged pulley	1.000	ST	
3	6.304-176.0	Hexagonal head screw M8x16-A4-70 ISO 401	1.000	ST	
16	5.044-897.0	Holder belt drive	1.000	ST	
38	6.391-461.0	Hose air circulation BD	1.000	ST	
26	7.343-018.0	Locking ring 18x1,2-Rf-St DIN 471	1.000	ST	
29	7.343-007.0	Locking ring 20x1,2-FST-RF DIN 471	1.000	ST	
8	7.343-115.0	Locking ring 47x1,75 -St-ph DIN 472	1.000	ST	
32	4.623-749.0	Motor replacement BD	1.000	ST	
	Item text1: /1.515-151/-152/-157/-159.0				
32	4.623-785.0	Motor replacement BD 40/25 Ep 120V	1.000	ST	
	Item text1: /1.515-153/-155.0				
13	7.318-004.0	Parallel key 6x6x12 -C45R DIN 6885-1	1.000	ST	
10	7.318-030.0	Parallel key 6x6x25 -C45R DIN 6885-1	1.000	ST	
12	7.318-031.0	Parallel key 6x6x28 -C45R DIN 6885-1	1.000	ST	

52 Brush-head BD "Ep"

POS	Article no.	Description	Quantity	Unit	Foot note text
35	5.008-885.0	Plate air circulation BD	1.000	ST	
	Item text1: /1.515-151/-157/-159.0				
35	5.008-958.0	Plate air circulation BD *USA	1.000	ST	
	Item text1: /1.515-155/-156.0				
45	5.008-854.0	Plate flange	1.000	ST	
7	5.337-033.0	Plate spring	3.000	ST	
42	5.114-543.0	Ring disk	1.000	ST	
39	7.303-107.0	Screw 5x16 -10.9-P2R (K-In6Rd)	2.000	ST	
36	7.303-108.0	Screw 5x20 -10.9-R2R (In6Rd)	3.000	ST	
	Item text1: /1.515-151/-157/-159.0				
36	7.303-111.0	Screw 5x50 -10.9-R2R (K-In6Rd)	3.000	ST	
	Item text1: /1.515-155/-156.0				
43	7.303-114.0	Screw 6 x 35-ST-10.9-R2R (IN6RD)	6.000	ST	
5	7.306-213.0	Screw M5x6 -A2-70 (In6Rd)	3.000	ST	
23	7.306-191.0	Screw M6x10 -A2-70 (In6Rd)	1.000	ST	
30	7.306-092.0	Screw M6x20-ST- 8.8-R3R (IN6RD)	4.000	ST	
17	7.303-068.0	Screw M8x20 -St-R3R (In6Rd)	4.000	ST	
6	7.312-041.0	Serrated lock washer A5,3-1.4310 DIN 67	3.000	ST	
18	7.312-022.0	Serrated lock washer A8,4-1.4310 DIN679	4.000	ST	
11	5.100-378.0	Shaft belt drive 1 BD 530	1.000	ST	
14	5.100-379.0	Shaft belt drive 2	1.000	ST	
19	7.307-301.0	Threaded pin M10X 12-A1-50 ISO 7435	1.000	ST	
27	6.348-383.0	Toothed belt HTD-447-3M-15 CXPIII	1.000	ST	
24	6.348-384.0	Toothed belt HTD-475-5M-40 CXPIII	1.000	ST	
25	5.625-402.0	Toothed lock washer 63Z	1.000	ST	
28	5.625-403.0	Toothed lock washer 125Z	1.000	ST	
22	7.312-003.0	Washer 6 -200HV-A3E ISO 7090	1.000	ST	
31	7.312-292.0	Washer 6 -A2 ISO 7093-1	4.000	ST	
4	7.312-268.0	Washer 8 -A2 ISO 7094	1.000	ST	



53 Brush-head BD "Bp"

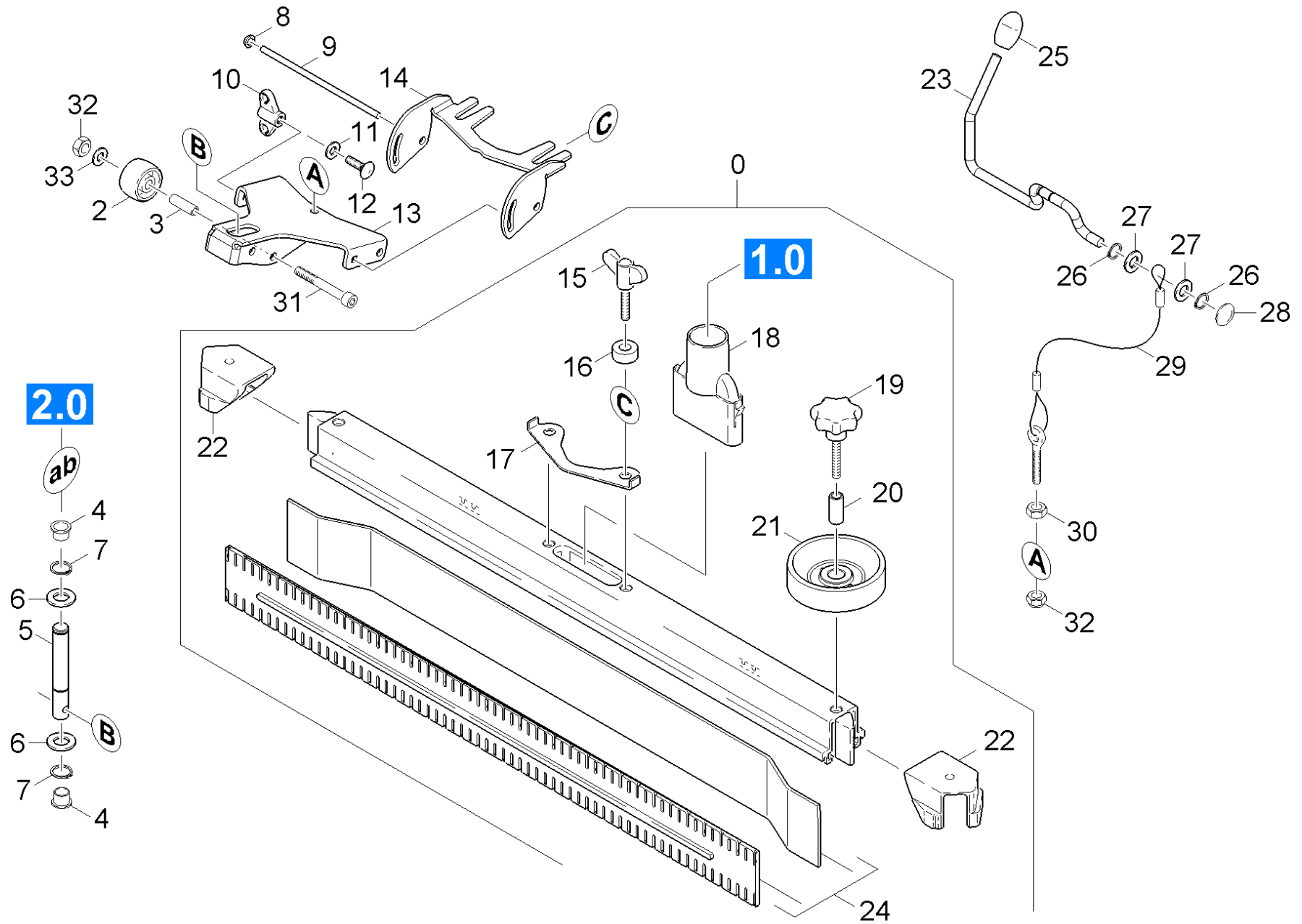
POS	Article no.	Description	Quantity	Unit	Remark	Foot note text
13	7.401-173.0	Ball bearing 6204-2RS-WAELZLAGST DIN 625	1.000	ST		
15	6.610-216.0	Carbon brush set	1.000	ZSA	AMER	VERSION 1
15	6.610-239.0	Carbon brush set ATAS	1.000	ST	ATAS	VERSION 2+3
18	2.882-700.0	Conversion kit spur gear worm gearing BD	1.000	ST		VERSION 1
25	6.371-236.0	Diamond pad green set 5x Ø381	1.000	ST		GREEN
25	6.371-252.0	Diamond pad white set 5x Ø381	1.000	ST		WHITE
25	6.371-252.0	Diamond pad white set 5x Ø381	1.000	ST		BROWN
25	6.371-253.0	Diamond pad yellow set 5x Ø381	1.000	ST		YELLOW
25	6.371-253.0	Diamond pad yellow set 5x Ø381	1.000	ST		VIOLET
18	6.613-289.3	Direct current motor	1.000	ST		VERSION 2
18	6.613-289.3	Direct current motor	1.000	ST		VERSION 3
1	6.907-152.0	Disc brush black	1.000	ST		
1	6.907-160.0	Disc brush multicoloured	1.000	ST		
1	6.907-153.0	Disc brush nature	1.000	ST		
1	6.907-151.0	Disc brush red	1.000	ST		
1	6.907-154.0	Disc brush white	1.000	ST		
22	6.906-964.0	Disk pad BD 40/25	1.000	ST		
	Item text1: /1.515-256/-353.0					
2	4.122-140.0	Flange complete	1.000	ST		
16	5.122-470.0	Flange worked	1.000	ST		
21	7.304-521.0	Hexagonal head screw M 6x16-A4-70 ISO 4	4.000	ST		
3	6.304-176.0	Hexagonal head screw M8x16-A4-70 ISO 401	1.000	ST		
12	7.343-115.0	Locking ring 47x1,75 -St-ph DIN 472	1.000	ST		
19	7.318-070.0	Parallel key 5x5x20-C45R DIN 6885-1	1.000	ST		
9	7.318-030.0	Parallel key 6x6x25 -C45R DIN 6885-1	2.000	ST		
28	5.008-854.0	Plate flange	1.000	ST		
7	5.337-033.0	Plate spring	3.000	ST		
23	5.114-543.0	Ring disk	1.000	ST		
26	7.303-107.0	Screw 5x16 -10.9-P2R (K-In6Rd)	1.000	ST		
24	7.303-114.0	Screw 6 x 35-ST-10.9-R2R (IN6RD)	6.000	ST		

53 Brush-head BD "Bp"

POS	Article no.	Description	Quantity	Unit	Remark	Foot note text
5	7.306-213.0	Screw M5x6 -A2-70 (In6Rd)	3.000	ST		
27	7.306-078.0	Screw M5x20 -8.8-R2R (In6Rd)	5.000	ST		
14	7.306-089.0	Screw M6x12 -8.8-R2R (In6Rd)	4.000	ST		
10	7.303-067.0	Screw M8x16-ST-R3R (IN6RD)	4.000	ST		
6	7.312-041.0	Serrated lock washer A5,3-1.4310 DIN 67	3.000	ST		
11	7.312-022.0	Serrated lock washer A8,4-1.4310 DIN679	4.000	ST		
8	5.100-187.0	Shaft	1.000	ST		
20	7.312-026.0	Washer 6 -A2 ISO 7090	4.000	ST		
4	7.312-268.0	Washer 8 -A2 ISO 7094	1.000	ST		
17	6.454-001.0	Worm gearing i=25	1.000	ST		VERSION 3
17	6.454-197.0	Worm gearing i=25	1.000	ST		VERSION 2

60 Suction mechanism

POS	Description	Quantity	Unit	Foot note text
63	Suction bar	1.000	ST	VERSION 3
62	Suction bar	1.000	ST	VERSION 2
61	Suction bar	1.000	ST	VERSION 1

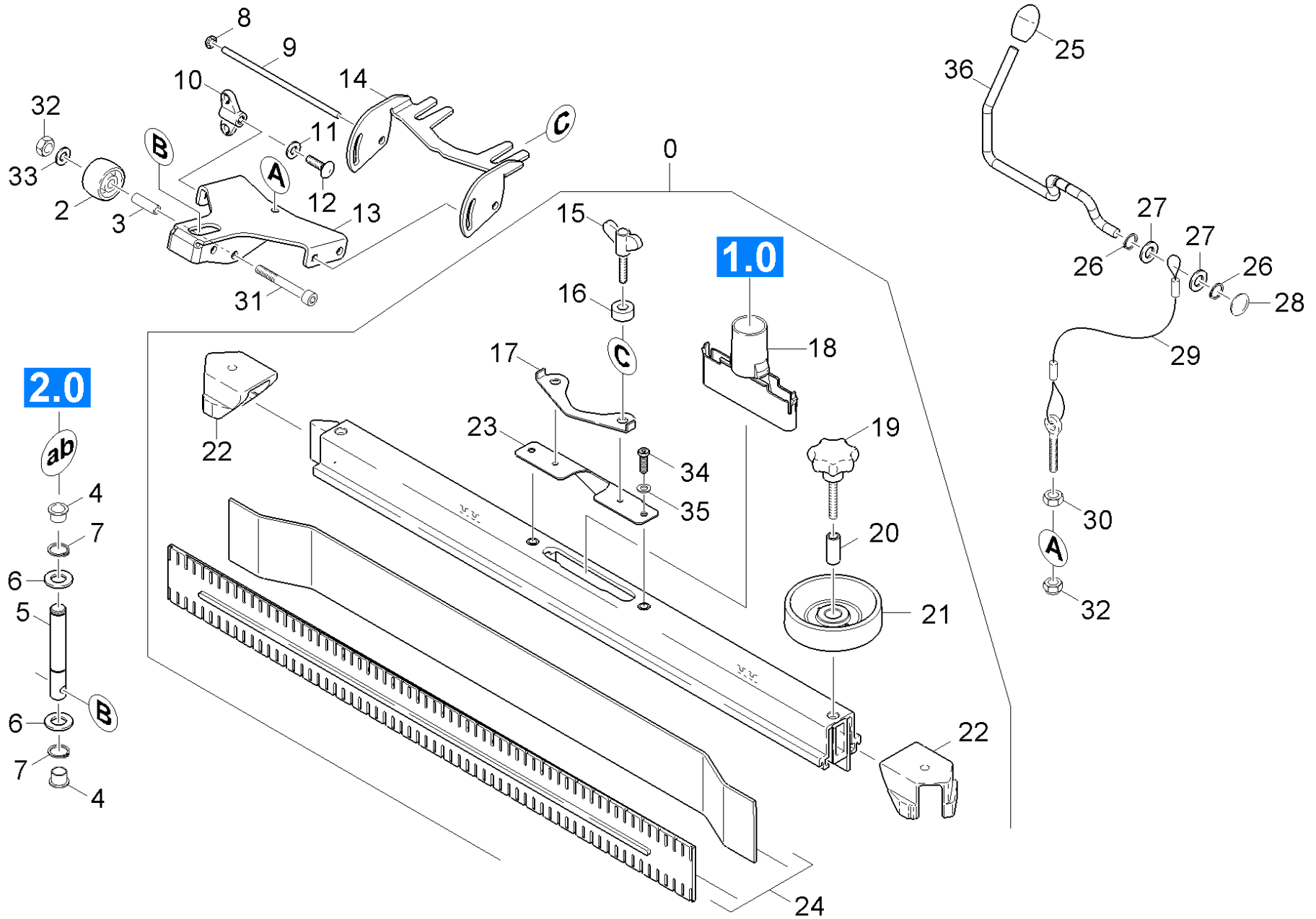


61 Suction bar

POS	Article no.	Description	Quantity	Unit
9	5.107-202.0	Bar	1.000	ST
4	6.437-484.0	Bearing bush	2.000	ST
5	5.317-130.0	Bolt suction bar	1.000	ST
3	5.112-633.0	Bush	1.000	ST
31	7.306-222.0	Cylinder head screw M8x55 -A4-70 ISO 47	2.000	ST
21	5.515-267.0	Deflector roll	2.000	ST
22	2.885-294.0	End piece left / right spare parts set	1.000	ST
32	7.311-427.0	Hexagon nut M8 -04-A2E ISO 10511	3.000	ST
30	7.311-224.0	Hexagon nut M 8-04-A2E ISO 4035	1.000	ST
13	5.044-723.0	Holder suction bar	1.000	ST
8	6.343-132.0	Lock washer 8	2.000	ST
26	7.343-205.0	Lock washer 9-St-A2E DIN 6799	2.000	ST
7	7.343-306.0	Lock washer 12-St-A2E DIN 6799	1.000	ST
17	5.007-217.0	Plate	1.000	ST
25	6.321-185.0	Push button	1.000	ST
28	6.343-191.0	Quick-fastener	1.000	ST
23	5.034-735.0	Retaining bracket suction bar	1.000	ST
14	5.058-987.0	Rocker suction bar	1.000	ST
2	5.435-004.0	Roller D40	1.000	ST
29	4.172-024.0	Rope complete	1.000	ST
24	6.273-262.0	Rubber lip set anti stripe oil resistant	1.000	ZSA
24	6.273-254.0	Rubber lip set oil resistant	1.000	ZSA
24	6.273-353.0	Rubber lip set standard	1.000	SET
12	7.303-139.0	Saucer-head screw M6x20 -A2 DIN 603	1.000	ST
20	5.094-231.0	Sleeve suction bar in VA	2.000	ST
16	5.112-810.0	Sleeve VA	2.000	ST
19	6.321-239.0	Star grip VA Ø50x43	2.000	ST
0	4.777-300.0	Suction bar 770AB oLR	1.000	ST
18	5.031-989.0	Suction nipple	1.000	ST
11	7.312-292.0	Washer 6 -A2 ISO 7093-1	1.000	ST
33	7.312-017.0	Washer 8-A2 ISO 7089	2.000	ST
27	7.312-005.0	Washer 10-200HV-A3E ISO 7090	2.000	ST
6	7.312-057.0	Washer 16 -A2 ISO 7090	2.000	ST

61 Suction bar

POS	Article no.	Description	Quantity	Unit
10	6.310-180.0	Wing nut M6	1.000	ST
15	5.305-296.0	Wing screw M8x40 VA	2.000	ST

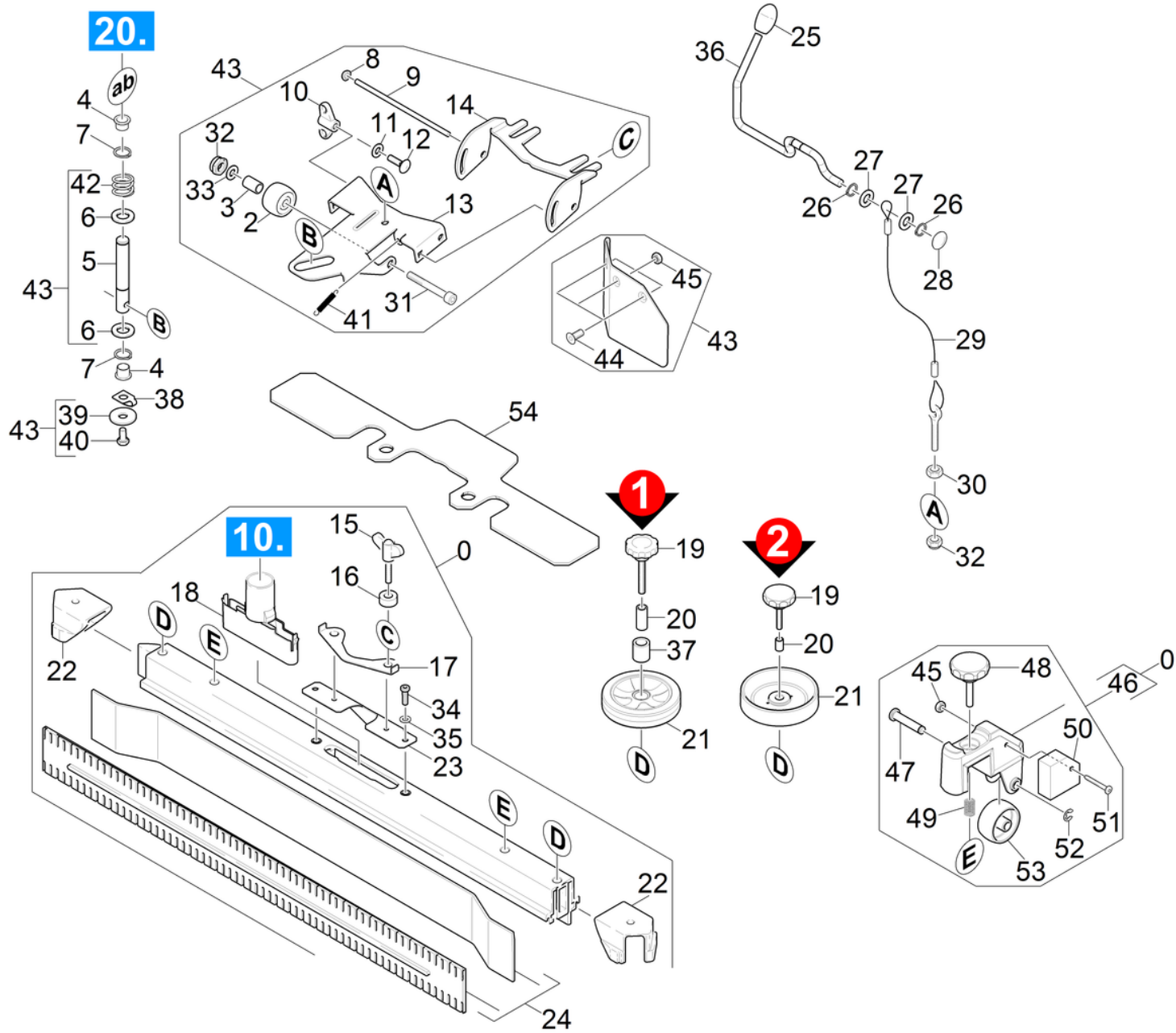


62 Suction bar

POS	Article no.	Description	Quantity	Unit
9	5.107-202.0	Bar	1.000	ST
4	6.437-484.0	Bearing bush	2.000	ST
5	5.317-130.0	Bolt suction bar	1.000	ST
3	5.112-633.0	Bush	1.000	ST
13	2.882-673.0	Conversion kit suction beam retraction s	1.000	ST
31	7.306-222.0	Cylinder head screw M8x55 -A4-70 ISO 47	2.000	ST
21	5.515-267.0	Deflector roll	2.000	ST
22	2.885-294.0	End piece left / right spare parts set	1.000	ST
32	7.311-427.0	Hexagon nut M8 -04-A2E ISO 10511	3.000	ST
30	7.311-224.0	Hexagon nut M 8-04-A2E ISO 4035	1.000	ST
8	6.343-132.0	Lock washer 8	2.000	ST
26	7.343-205.0	Lock washer 9-St-A2E DIN 6799	2.000	ST
7	7.343-306.0	Lock washer 12-St-A2E DIN 6799	1.000	ST
17	5.007-217.0	Plate	1.000	ST
25	6.321-185.0	Push button	1.000	ST
28	6.343-191.0	Quick-fastener	1.000	ST
36	5.034-735.0	Retaining bracket suction bar	1.000	ST
14	5.058-987.0	Rocker suction bar	1.000	ST
2	5.435-004.0	Roller D40	1.000	ST
29	4.172-024.0	Rope complete	1.000	ST
24	6.273-262.0	Rubber lip set anti stripe oil resistant	1.000	ZSA
24	6.273-254.0	Rubber lip set oil resistant	1.000	ZSA
24	6.273-353.0	Rubber lip set standard	1.000	SET
12	7.303-139.0	Saucer-head screw M6x20 -A2 DIN 603	1.000	ST
34	7.306-221.0	Screw M 8x25-A2-70 DIN 7984	2.000	ST
20	5.094-231.0	Sleeve suction bar in VA	2.000	ST
16	5.112-810.0	Sleeve VA	2.000	ST
19	6.321-239.0	Star grip VA Ø50x43	2.000	ST
0	4.777-300.0	Suction bar 770AB oLR	1.000	ST
23	5.100-559.0	Suction bar support plate	1.000	ST
18	5.033-601.0	Suction nipple	1.000	ST
11	7.312-292.0	Washer 6 -A2 ISO 7093-1	1.000	ST
35	7.312-017.0	Washer 8-A2 ISO 7089	2.000	ST

62 Suction bar

POS	Article no.	Description	Quantity	Unit
33	7.312-017.0	Washer 8-A2 ISO 7089	2.000	ST
27	7.312-005.0	Washer 10-200HV-A3E ISO 7090	2.000	ST
6	7.312-057.0	Washer 16 -A2 ISO 7090	2.000	ST
10	6.310-180.0	Wing nut M6	1.000	ST
15	5.305-296.0	Wing screw M8x40 VA	2.000	ST



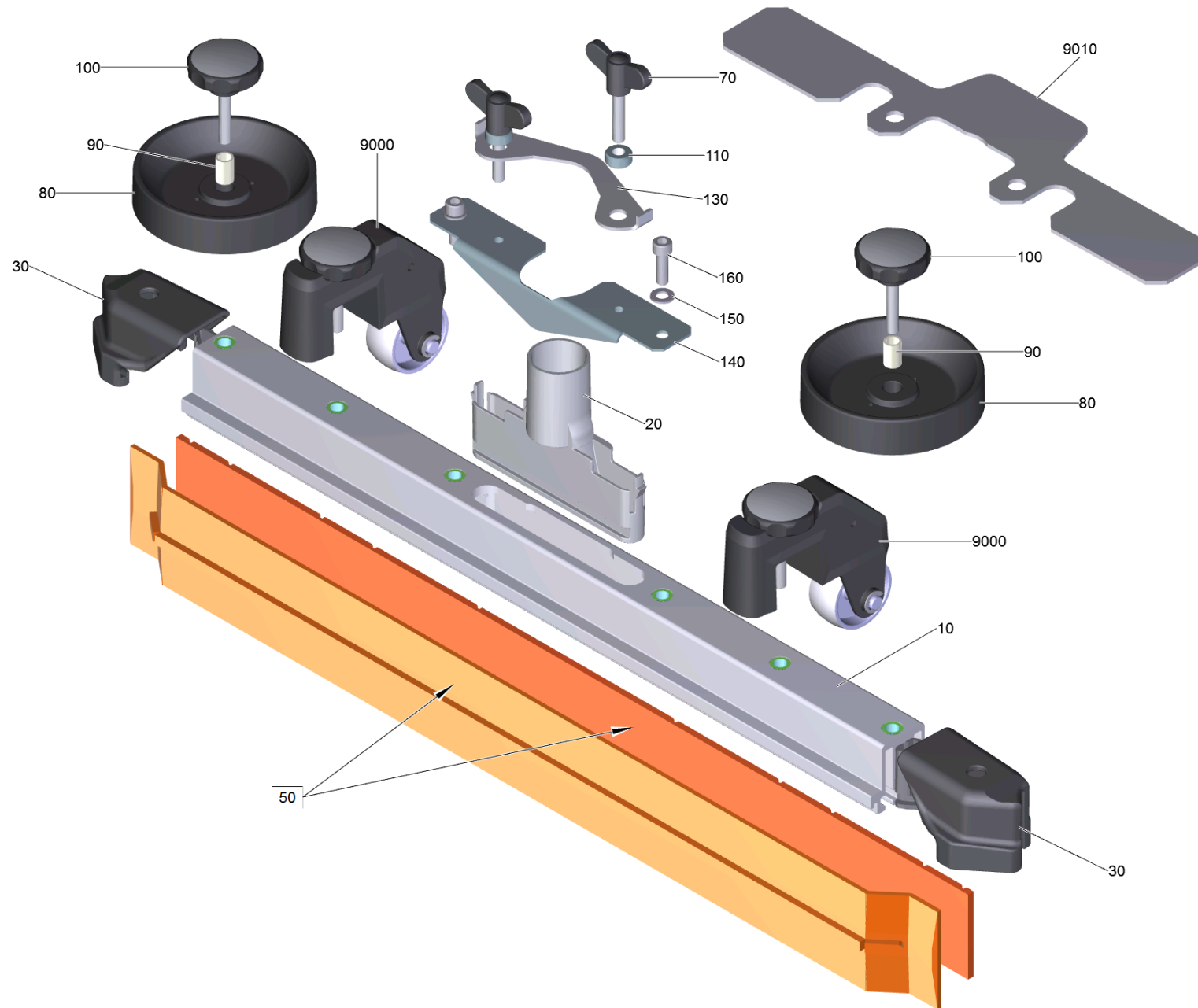
63 Suction bar

POS	Article no.	Description	Quantity	Unit
54	5.128-339.0	Additional weight suction bar	1.000	ST
50	5.100-560.0	Additional weight suction bar 300 g	2.000	ST
9	5.107-202.0	Bar	1.000	ST
4	6.437-484.0	Bearing bush	2.000	ST
47	5.304-098.0	Bolt	2.000	ST
5	5.317-357.0	Bolt suction bar BR/BD 40/25	1.000	ST
43	2.882-673.0	Conversion kit suction beam retraction s	1.000	ST
44	7.305-050.0	Countersunk screw M5x20 -A2-70-s (In6Rd	3.000	ST
34	7.306-142.0	Cylinder head screw M 8x25-A4-70 ISO 47	2.000	ST
31	7.306-012.0	Cylinder head screw M10x90-A4-70 DIN 91	2.000	ST
21	5.515-346.0	Deflector roll suction bar D120	2.000	ST
22	2.885-294.0	End piece left / right spare parts set	1.000	ST
41	6.330-448.0	Extension spring	1.000	ST
40	7.304-546.0	Hexagonal head screw M 8x12-A2-70 ISO 4	1.000	ST
45	7.311-431.0	Hexagon nut M 5-1.4305 ISO 10511	3.000	ST
30	7.311-224.0	Hexagon nut M 8-04-A2E ISO 4035	1.000	ST
32	7.311-441.0	Hexagon nut M10-1.4305 ISO 10511	3.000	ST
13	5.044-904.0	Holder suction bar long hole	1.000	ST
52	7.343-303.0	Locking ring 8-A2 DIN 6799	2.000	ST
8	6.343-132.0	Lock washer 8	2.000	ST
26	7.343-205.0	Lock washer 9-St-A2E DIN 6799	2.000	ST
7	7.343-306.0	Lock washer 12-St-A2E DIN 6799	1.000	ST
17	5.007-217.0	Plate	1.000	ST
38	5.001-987.0	Plate bracket fuer Kette	1.000	ST
42	5.332-349.0	Pressure spring	1.000	ST
49	5.332-504.0	Pressure spring	2.000	ST
25	6.321-185.0	Push button	1.000	ST
28	6.343-191.0	Quick-fastener	1.000	ST
36	5.034-735.0	Retaining bracket suction bar	1.000	ST
14	5.058-987.0	Rocker suction bar	1.000	ST
2	5.435-004.0	Roller D40	1.000	ST
46	4.035-339.0	Roller suction bar	2.000	ST
29	4.172-024.0	Rope complete	1.000	ST

63 Suction bar

POS	Article no.	Description	Quantity	Unit
24	6.273-262.0	Rubber lip set anti stripe oil resistant	1.000	ZSA
24	6.273-354.0	Rubber lip set oil resistant	1.000	SET
24	6.273-353.0	Rubber lip set standard	1.000	SET
12	7.303-139.0	Saucer-head screw M6x20 -A2 DIN 603	1.000	ST
51	7.306-185.0	Screw M5x 35-A2-70 (IN6RD)	2.000	ST
20	5.094-231.0	Sleeve suction bar in VA	2.000	ST
16	5.112-810.0	Sleeve VA	2.000	ST
37	5.094-405.0	Spacer sleeve external	2.000	ST
20	5.094-404.0	Spacer sleeve inside	2.000	ST
3	5.112-865.0	Spacer sleeve suction bar right	1.000	ST
19	6.321-243.0	Star grip stainless steel D50x48	2.000	ST
19	6.321-239.0	Star grip VA Ø50x43	2.000	ST
48	6.321-240.0	Star grip with inscription VA Ø50x43	2.000	ST
0	4.777-300.0	Suction bar 770AB oLR	1.000	ST
0	4.777-407.0	Suction bar straight 770mm	1.000	ST
23	5.100-559.0	Suction bar support plate	1.000	ST
18	5.033-601.0	Suction nipple	1.000	ST
11	7.312-292.0	Washer 6 -A2 ISO 7093-1	1.000	ST
35	7.312-017.0	Washer 8-A2 ISO 7089	2.000	ST
33	7.312-066.0	Washer 10 -A2 ISO 7090	2.000	ST
27	7.312-005.0	Washer 10-200HV-A3E ISO 7090	2.000	ST
39	7.312-269.0	Washer 10-A2 ISO 7094	1.000	ST
6	7.312-057.0	Washer 16 -A2 ISO 7090	4.000	ST
53	6.435-401.0	Wheel D54	2.000	ST
21	5.515-338.0	Wheel D121	2.000	ST
10	6.310-180.0	Wing nut M6	1.000	ST
15	5.305-296.0	Wing screw M8x40 VA	2.000	ST

Suction bar straight 770mm (4.777-407.0)

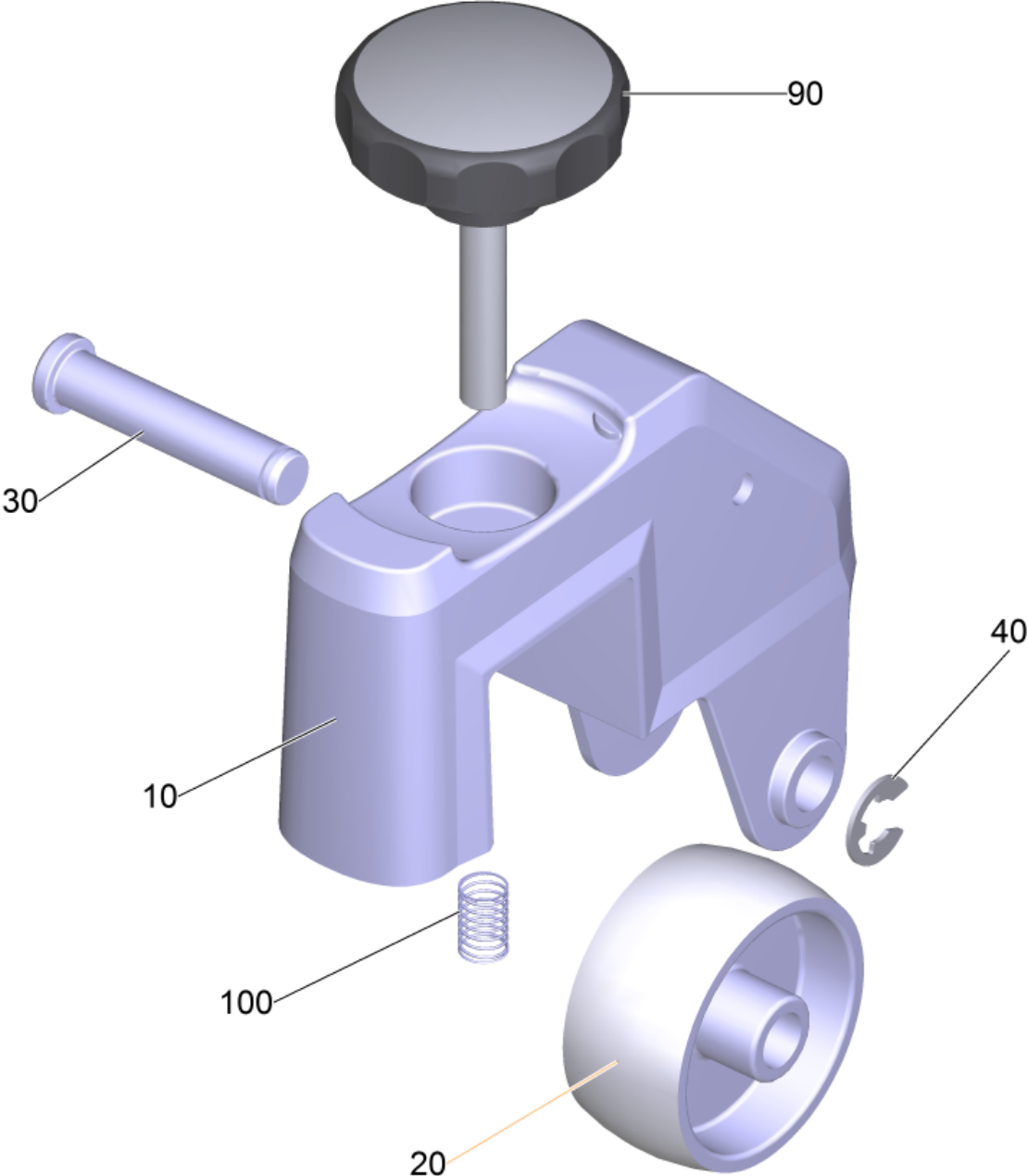


Suction bar straight 770mm (4.777-407.0)

POS	Article no.	Description	Quantity	Unit
9000	2.640-023.0	Add-on kit rollers suction bar	1.000	ST
9010	5.128-339.0	Additional weight suction bar	1.000	ST
160	7.306-142.0	Cylinder head screw M 8x25-A4-70 ISO 47	2.000	ST
80	5.515-346.0	Deflector roll suction bar D120	2.000	ST
30	2.885-294.0	End piece left / right spare parts set	1.000	ST
50	6.273-262.0	Rubber lip set anti stripe oil resistant	1.000	ZSA
50	6.273-354.0	Rubber lip set oil resistant	1.000	SET
50	6.273-353.0	Rubber lip set standard	1.000	SET
130	5.036-102.0	Sheet metal bracket suction bar	1.000	ST
90	5.094-231.0	Sleeve suction bar in VA	2.000	ST
110	5.112-810.0	Sleeve VA	2.000	ST
100	6.321-239.0	Star grip VA Ø50x43	2.000	ST
10		Suction bar pre-assembled straight 770mm	1.000	ST
140	5.100-559.0	Suction bar support plate	1.000	ST
20	5.033-601.0	Suction nipple	1.000	ST
150	7.312-017.0	Washer 8-A2 ISO 7089	2.000	ST
70	5.305-296.0	Wing screw M8x40 VA	2.000	ST

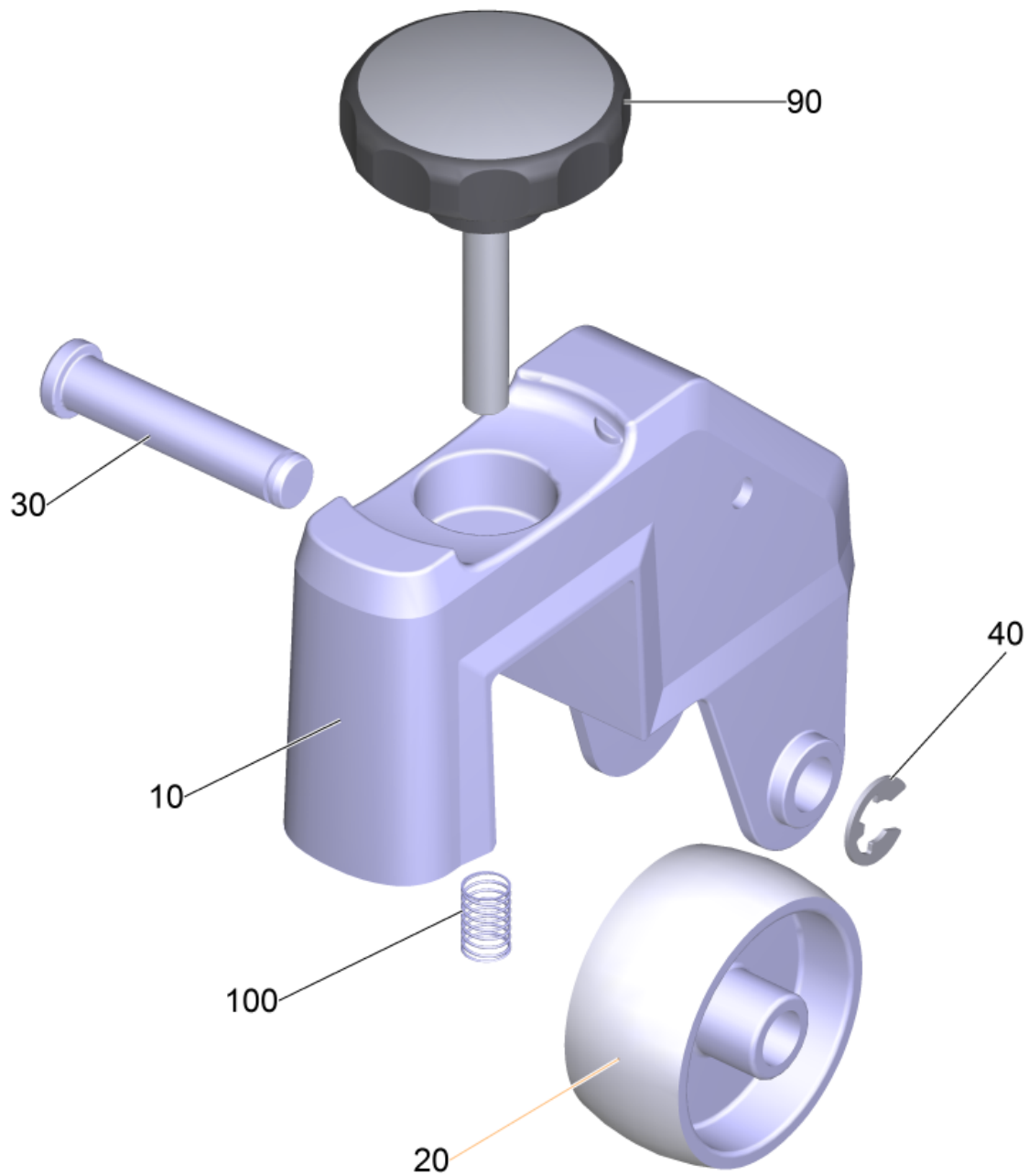
10 Suction bar pre-assembled straight 770mm

POS	Article no.	Description	Quantity	Unit
20	5.033-578.0	End piece inside left	1.000	ST
30	5.033-579.0	End piece inside right	1.000	ST



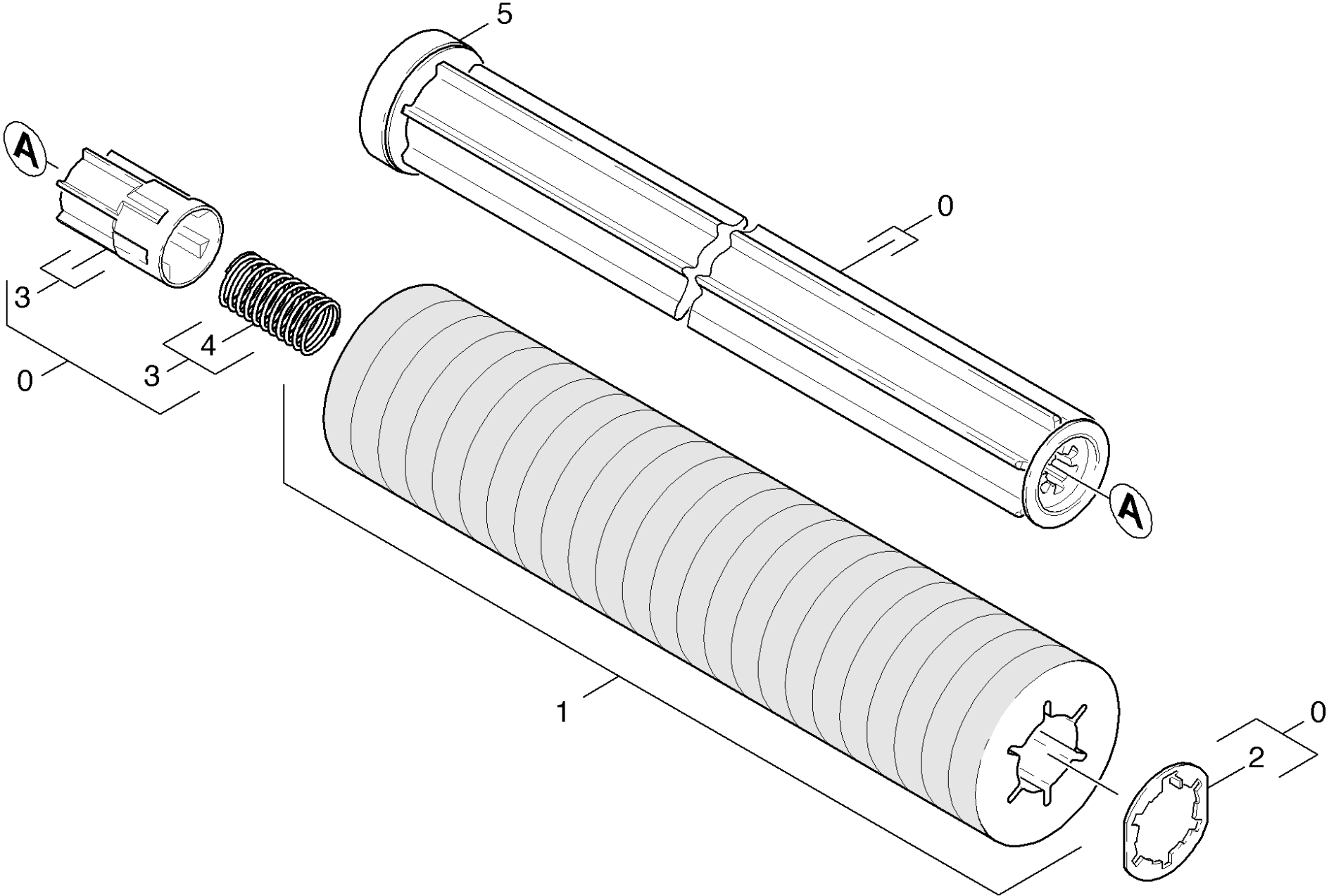
9000 Add-on kit rollers suction bar (2.640-023.0)

POS	Article no.	Description	Quantity	Unit
30	5.317-781.0	Bolt roller	2.000	ST
40	7.343-303.0	Locking ring 8-A2 DIN 6799	2.000	ST
100	5.332-504.0	Pressure spring	2.000	ST
10	5.101-139.0	Roller holder weight	2.000	ST
90	6.321-240.0	Star grip with inscription VA Ø50x43	2.000	ST
20	6.435-401.0	Wheel D54	2.000	ST



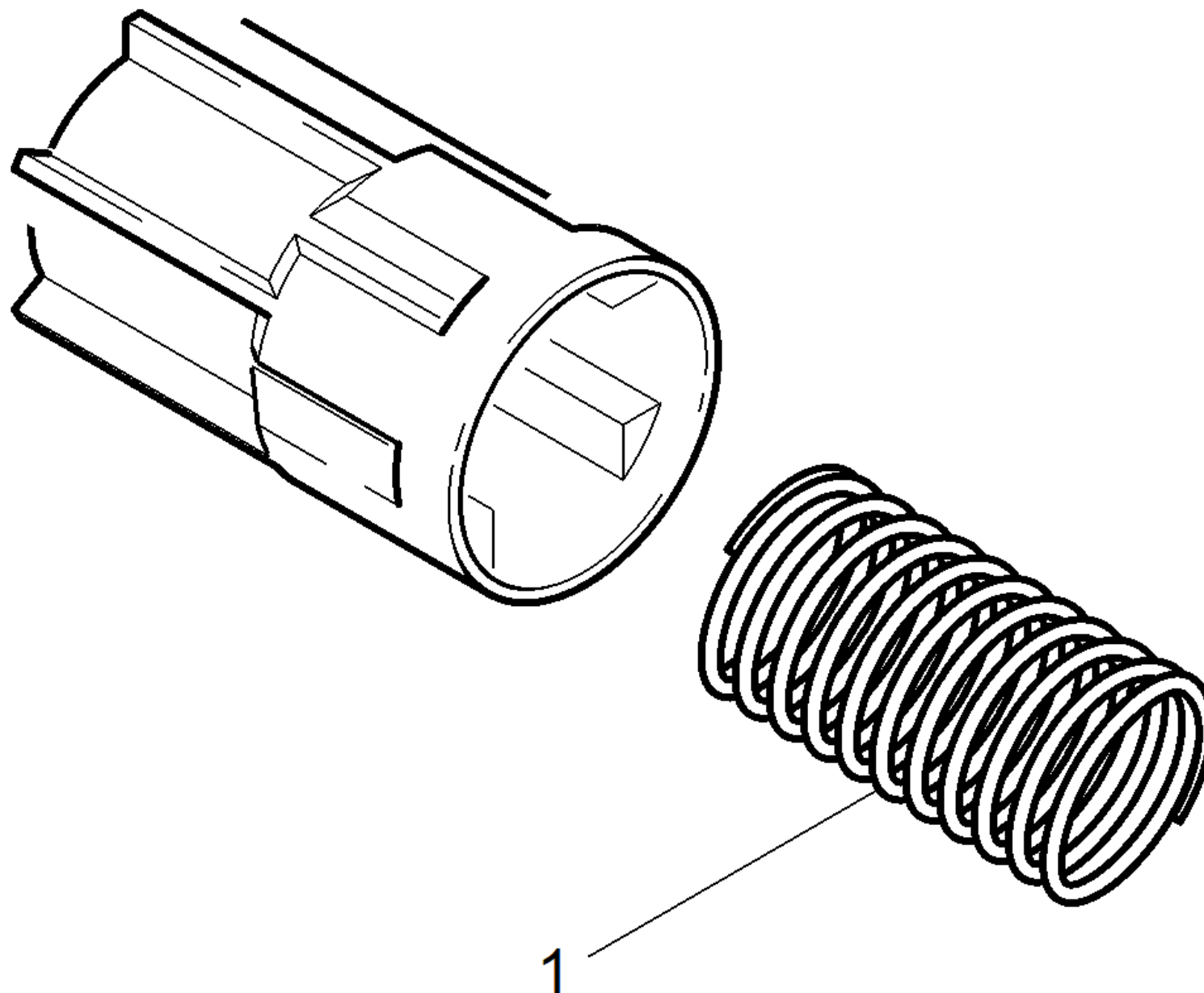
46 Roller suction bar (4.035-339.0)

POS	Article no.	Description	Quantity	Unit
30	5.317-781.0	Bolt roller	1.000	ST
40	7.343-303.0	Locking ring 8-A2 DIN 6799	1.000	ST
100	5.332-504.0	Pressure spring	1.000	ST
10	5.101-139.0	Roller holder weight	1.000	ST
90	6.321-240.0	Star grip with inscription VA Ø50x43	1.000	ST
20	6.435-401.0	Wheel D54	1.000	ST



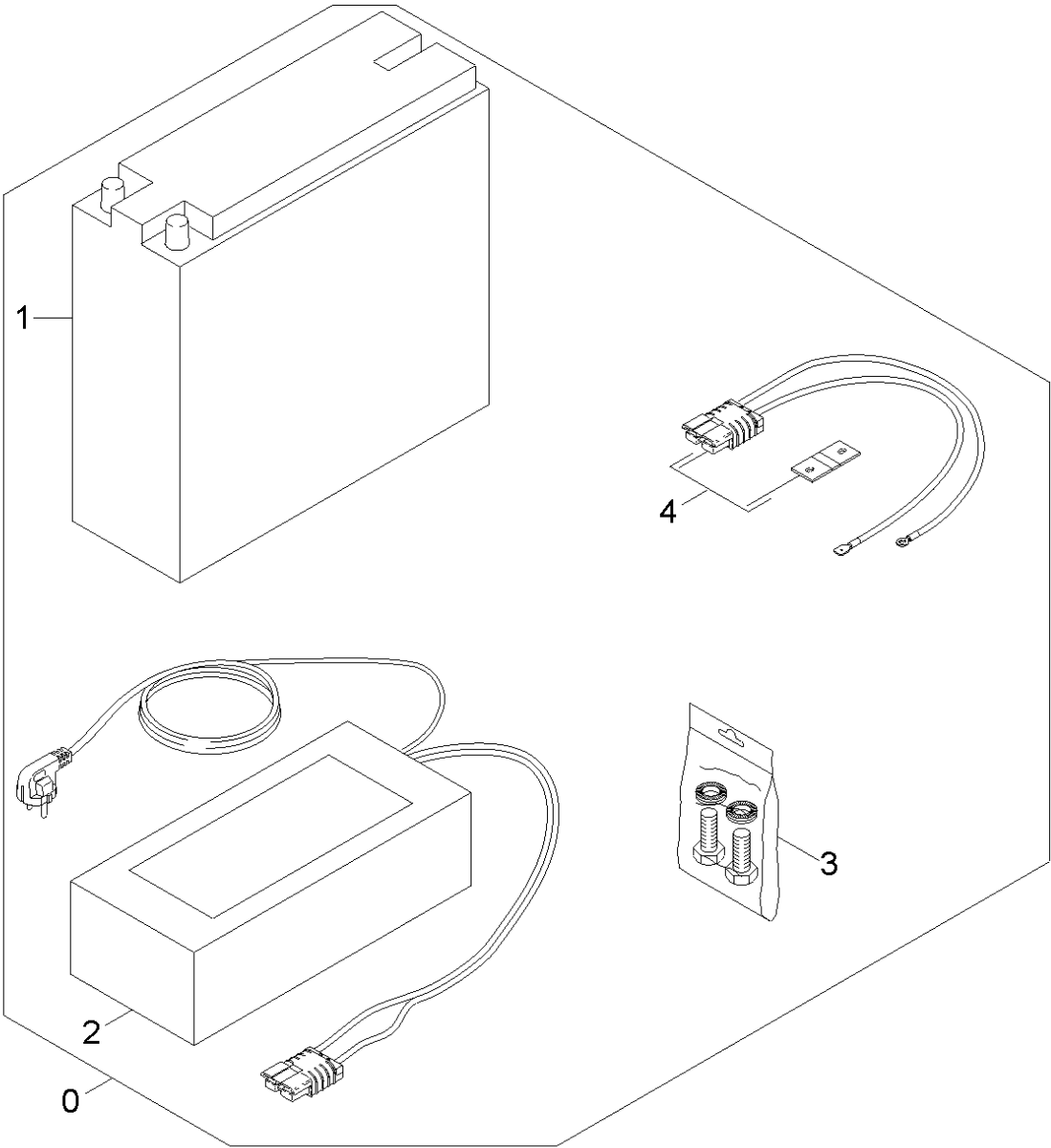
70 Accessories pad roll

POS	Article no.	Description	Quantity	Unit
4	5.332-469.0	Helical spring	1.000	ST
3	5.120-313.0	Hub pad roll BR VS	1.000	ST
1	4.114-004.0	Micro-fibre roll	1.000	ST
1	6.369-725.0	Pad green with sleeve	1.000	ZSA
1	6.369-726.0	Pad red with sleeve	1.000	ZSA
1	6.369-727.0	Pad white with sleeve BR VS 400	1.000	ZSA
1	6.369-724.0	Pad yellow with sleeve	1.000	ZSA
1	8.635-691.0	ROLLER, STRIPPING, 16" CYLINDRICAL	1.000	ST
0	4.762-228.0	Roll Pad BR VS 400	1.000	ST
5	4.038-677.0	Sheet metal component thread deflector	1.000	ST
2	4.115-003.0	Washer closure	1.000	ST



3 Hub pad roll BR VS (5.120-313.0)

POS	Article no.	Description	Quantity	Unit
1	5.332-469.0	Helical spring	1.000	ST



80 Battery quick-charge set (2.642-554.0)

POS	Article no.	Description	Quantity	Unit
1	6.642-554.0	Battery 12V/58Ah	1.000	ST
2	6.642-559.0	Battery charger 24V/30A	1.000	ST
0	2.642-554.0	Battery quick-charge set I 24V/58Ah	1.000	ST
4	6.642-567.0	Set assembly I	1.000	ST
3	6.642-564.0	Set fixing I, II, V, VI	1.000	ST