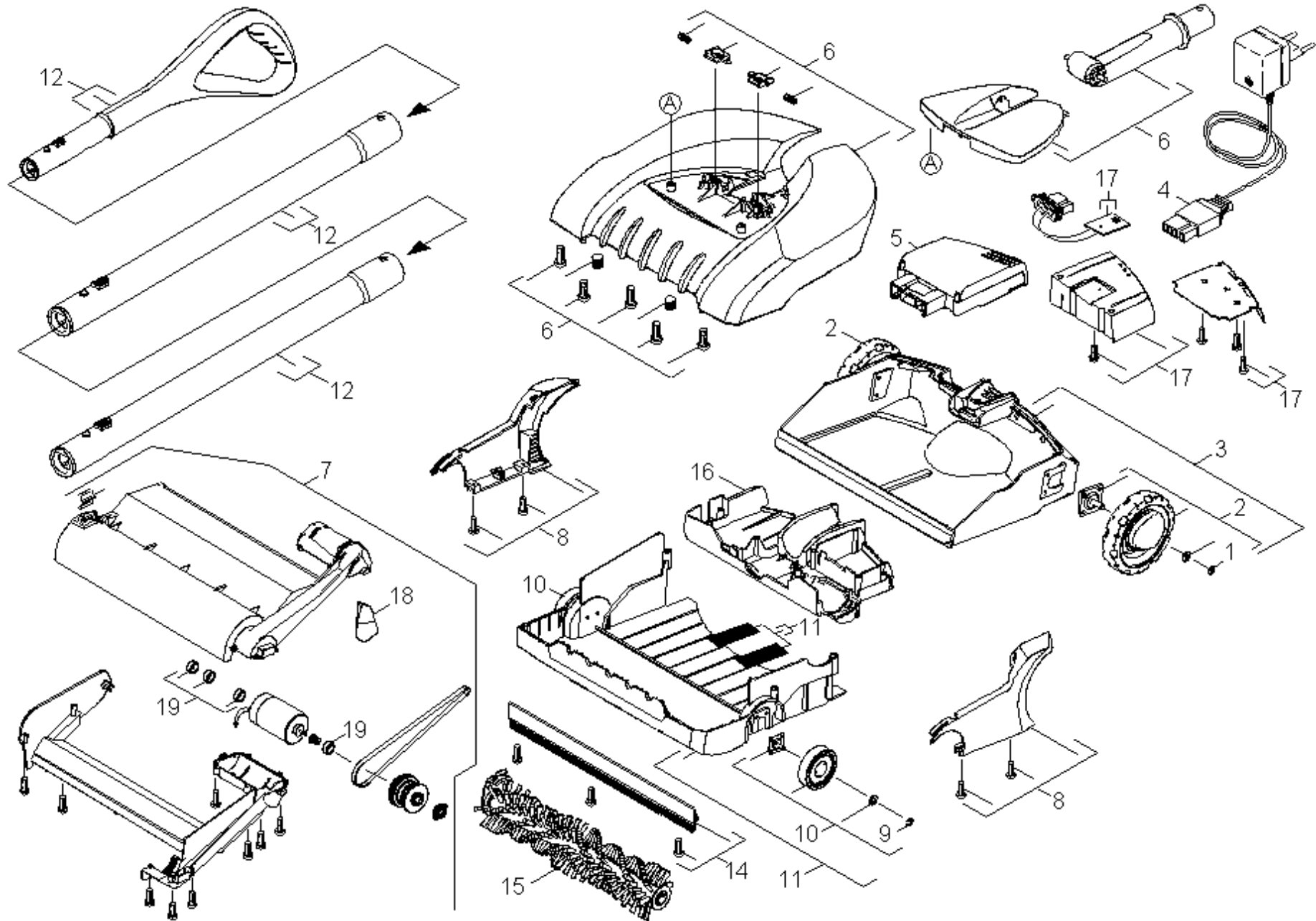


10 Individual parts

Home and Garden \ Sweepers \ Electric motor \ K 85 *EU \ Spare parts list K85 \ Individual parts



10 Individual parts

Home and Garden \ Sweepers \ Electric motor \ K 85 *EU \ Spare parts list K85 \ Individual parts

KÄRCHER

POS	Article no.	Description	Quantity	Unit	valid from	valid until
1	7.343-200.0	Lock washer 5-FST-PHR DIN 6799	1	PC		
2	4.070-674.0	Wheel rear for replacement	1	PC		
3	7.777-999.0	Stockpiling discontinued	1	PC		
4	6.645-915.0	BC 1/1.8 *EU	1	PC		
4	7.777-999.0	Stockpiling discontinued	1	PC		33399
5	7.777-999.0	Stockpiling discontinued	1	PC	33400	
5	7.777-999.0	Stockpiling discontinued	1	PC		33399
6	4.032-022.0	Covering cap complete	1	PC		
7	7.777-999.0	Stockpiling discontinued	1	PC		
8	4.070-669.0	Side parts replacement	1	PC		
9	7.343-305.0	Lock washer 3,2-A2 DIN 6799	1	PC		
10	4.070-673.0	Wheel front for replacement	1	PC		
11	4.070-668.0	Housing bottom part replacement	1	PC		
12	7.777-999.0	Stockpiling discontinued	1	PC		
14	7.777-999.0	Stockpiling discontinued	1	PC		
15	4.762-427.0	Roller brush complete	1	PC		
16	4.258-006.0	False floor complete	1	PC		
17	4.070-671.0	Switch unit complete	1	PC		
18	5.070-794.0	Skirting	1	PC		
19	7.777-999.0	Stockpiling discontinued	1	PC		