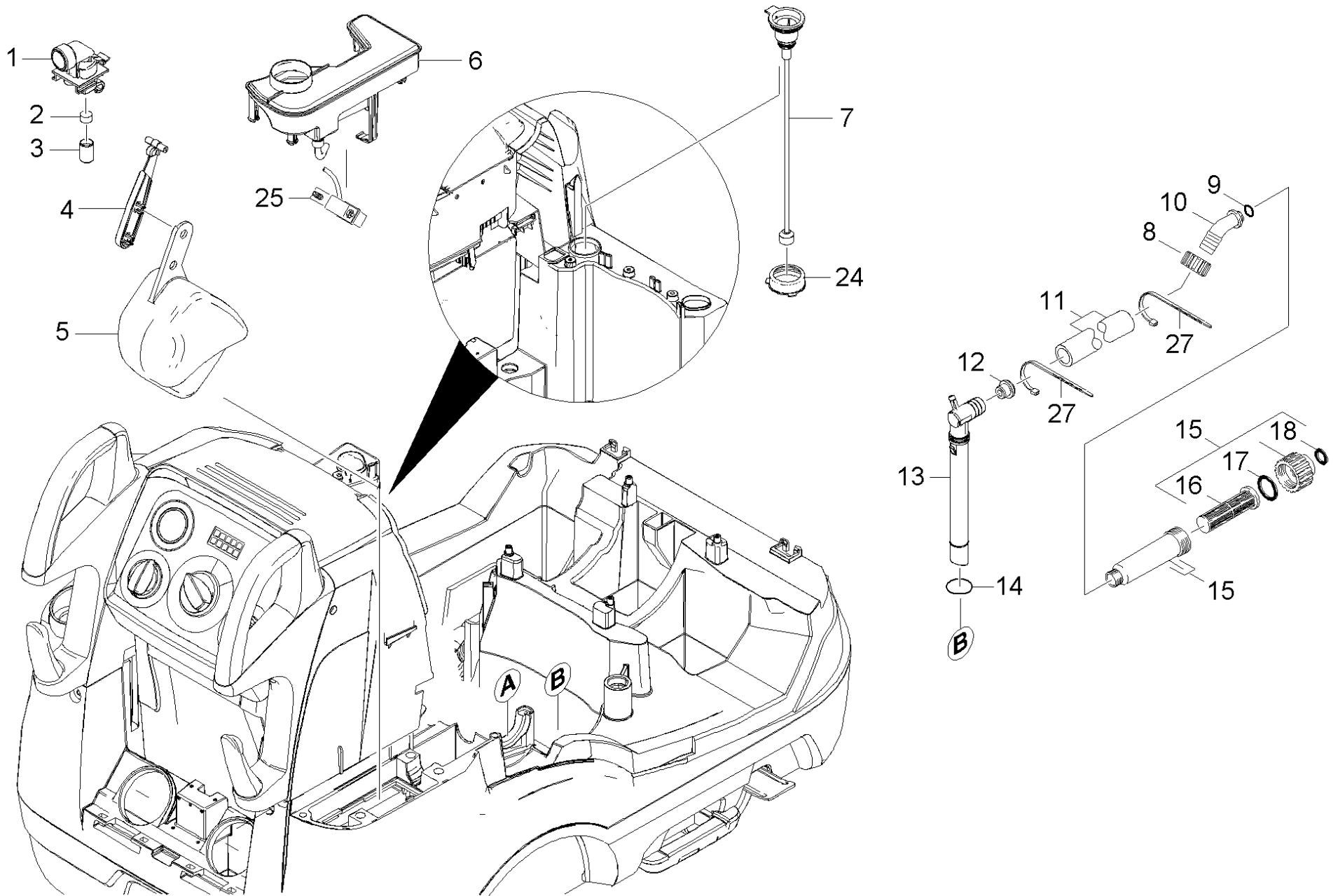


80 Float valve

Professional \ High pressure cleaner hotwater \ Electric motor \ HDS 13/20-4 SX *EU-II \ Spare parts list HDS 13/20-4 SX *EU-II \ Float valve



80 Float valve

Professional \ High pressure cleaner hotwater \ Electric motor \ HDS 13/20-4 SX *EU-II \ Spare parts list HDS 13/20-4 SX *EU-II \ Float valve

KÄRCHER

POS	Article no.	Description	Quantity	Unit
12	5.112-411.0	Bush	1.000	ST
27	6.641-474.0	Cable tape 8-210	2.000	ST
13	5.443-553.0	Connection piece	1.000	ST
2	5.364-095.0	Flat gasket	1.000	ST
5	5.585-030.0	Float	1.000	ST
10	5.443-365.0	HOSE STEM (HDS555C)	1.000	ST
7	4.747-092.0	Level probe	1.000	ST
4	5.481-256.0	Lever	1.000	ST
8	5.310-167.0	Nut G 3/4"	1.000	ST
9	6.362-078.0	O-Ring seal 13,3x2,4	1.000	ST
14	6.362-161.0	O-Ring seal 19,3 X 2,4	1.000	ST
11	6.392-258.0	Piece of tube 19x4x280	1.000	ST
24	5.365-289.0	Rubber bushing transmitter feeder	1.000	ST
18	5.363-545.0	Seal	1.000	ST
17	5.363-336.0	Seal	1.000	ST
25	4.686-030.0	Solenoid valve only for replacement	1.000	ST
6	4.070-658.3	Tank complete	1.000	ST
1	5.587-214.0	Valve housing	1.000	ST
3	5.584-085.0	Valve pin	1.000	ST
16	5.731-587.0	Water filter	1.000	ST
15	4.730-168.3	Water filter complete	1.000	ST