

## **Spare parts list**

(1.347-301.0) A 2801 \*EU

## Table of contents

---

A 2801 *EU (1.347-301.0)	3
Spare parts list K 2801 / A 2801 (5.958-831.0)	4
10 Top part	5
20 Bottom part	7
30 Turbine	9
10 SET VERSCHLUSS (2.884-295.0)	11
40 Float	12
50 Accessories	14

A 2801 \*EU (1.347-301.0)

---

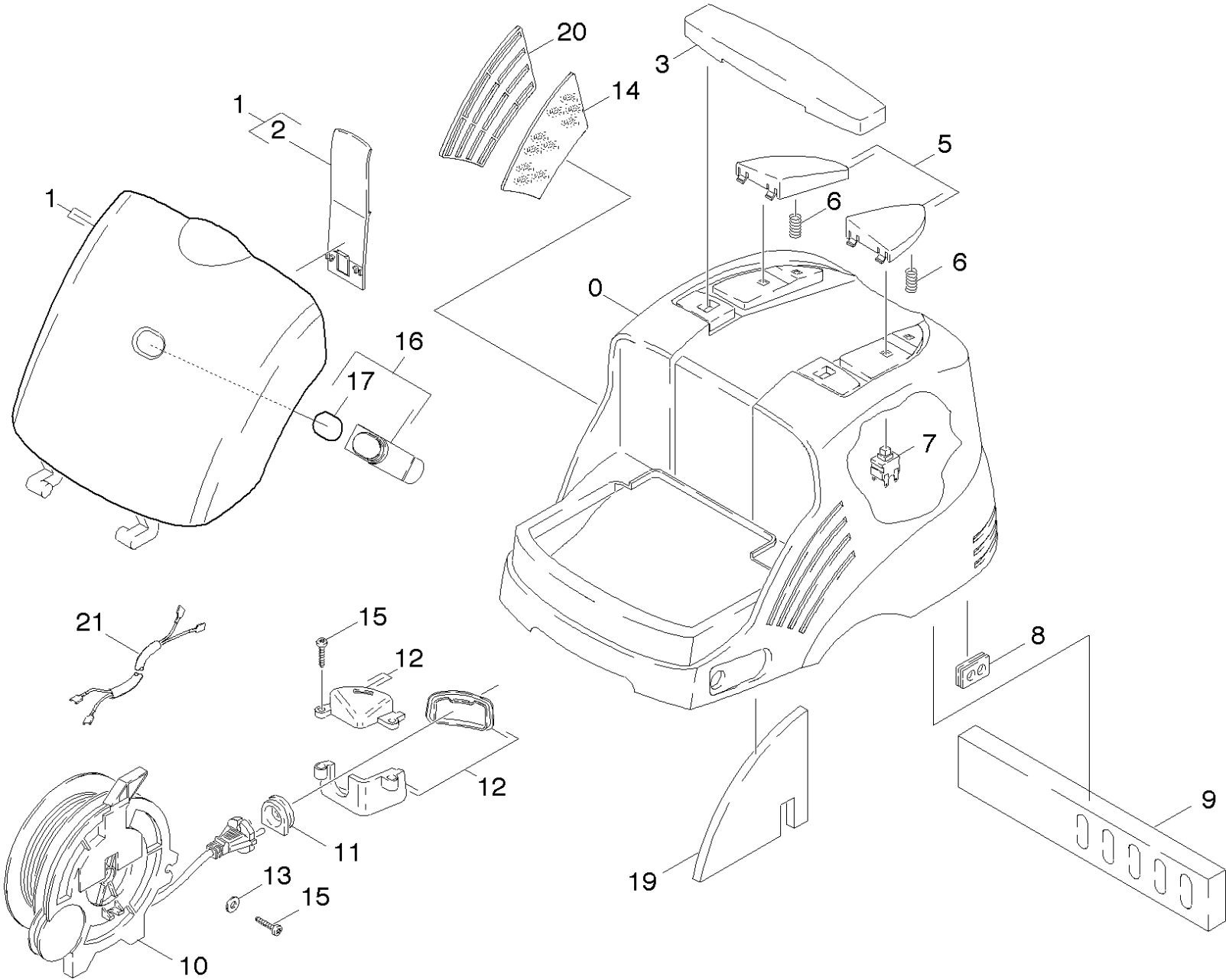
POS	Article no.	Description	Quantity	Unit
0	5.958-831.0	Spare parts list K 2801 / A 2801	1.000	ST
	Item text2: 13473010			

---

Spare parts list K 2801 / A 2801 (5.958-831.0)

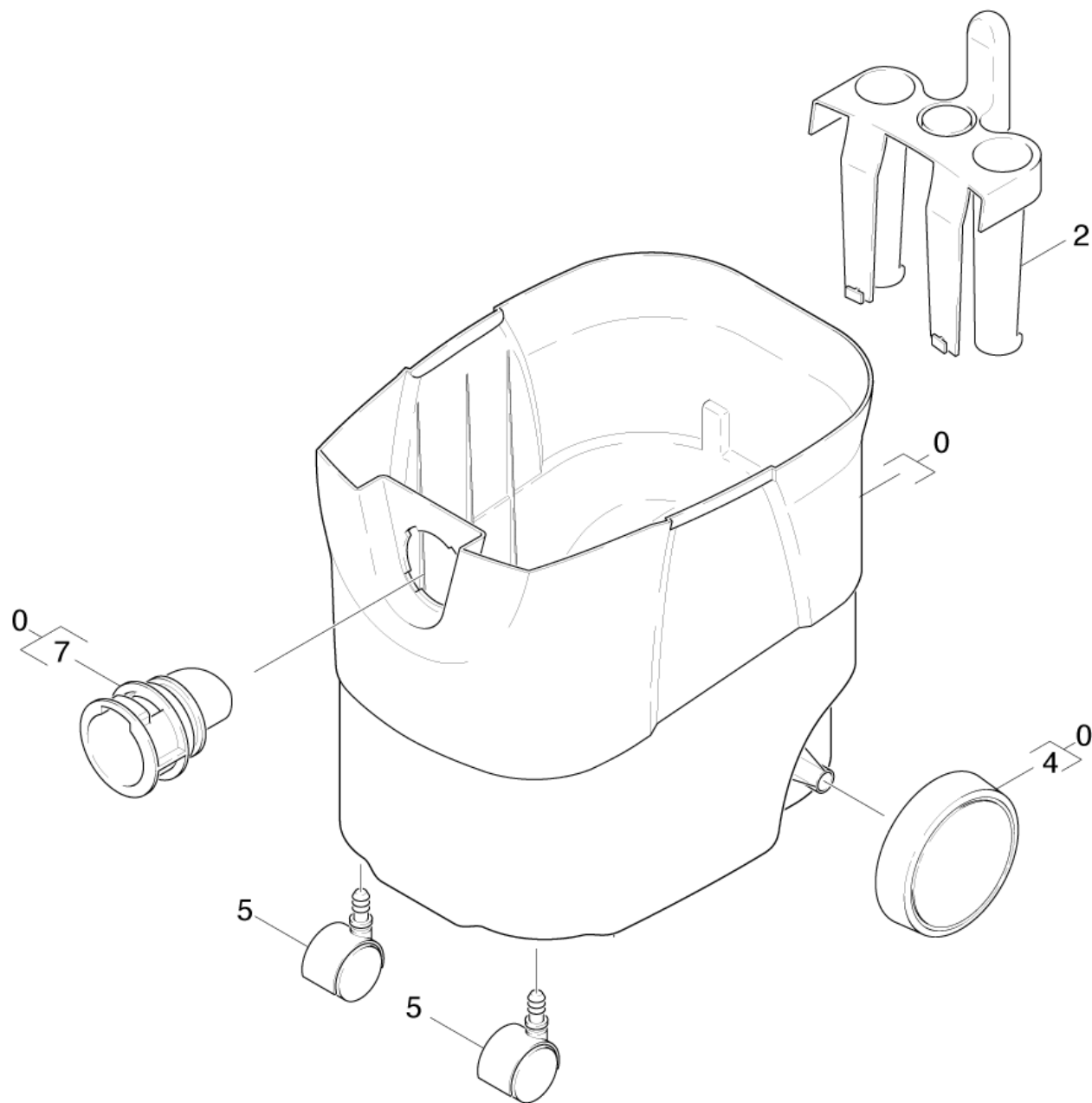
---

<b>POS</b>	<b>Description</b>	<b>Quantity</b>	<b>Unit</b>
50	Accessories	1.000	ST
20	Bottom part	1.000	ST
40	Float	1.000	ST
10	Top part	1.000	ST
30	Turbine	1.000	ST



## 10 Top part

POS	Article no.	Description	Quantity	Unit	Serial number from	Serial number to	Foot note text
8	9.048-055.0	Cable gland	1.000	ST			
11	9.048-043.0	Cable gland	1.000	ST			
12	2.884-293.0	Cable routing complete black	1.000	ST	200000		YELLOW
12	2.884-293.0	Cable routing complete black	1.000	ST		199999	GREY
21	9.084-094.0	Cable set	1.000	ST			
10	9.011-559.0	Cable take-up stand	1.000	ST			
	<b>Item text1:</b> / 1.347-302.0 / -402.0						
10	9.011-447.0	Cable up scooter 2x1	1.000	ST			
	<b>Item text1:</b> / 1.347-301.0 / -401.0						
2	9.036-904.0	Closure	1.000	ST			
1	9.001-259.0	Cover filter	1.000	ST			
	<b>Item text1:</b> / 9.036-904.0						
16	9.001-254.0	Filter pilot complete	1.000	ST			
19	9.086-517.0	Filter PPI	1.000	ST			
9	9.086-515.0	Filter PPI	1.000	ST			
20	9.036-658.0	Flap filter	1.000	ST		199999	GREY
20	9.036-919.0	Flap filter	1.000	ST	200000		YELLOW
3	9.036-909.0	Handhold	1.000	ST			
6	9.047-040.0	Helical spring	2.000	ST			
0	9.036-916.0	Housing	1.000	ST			YELLOW
14	9.086-522.0	Micro filter K 2801	1.000	ST			
17	6.959-211.0	O-Ring seal 22 x 1,8	1.000	ST			
5	2.884-291.0	Pushbutton complete	1.000	ST			
15	9.086-183.0	Screw 4x16	3.000	ST			
0	7.777-999.0	Stockpiling discontinued	1.000	ST			GREY
10	7.777-999.0	Stockpiling discontinued	1.000	ST			
	<b>Item text1:</b> / 1.347-304.0 / -404.0						
7	6.630-437.0	Switch on/off	1.000	ST			
13	7.312-001.0	Washer 4 -200HV-A3E ISO 7089	1.000	ST			

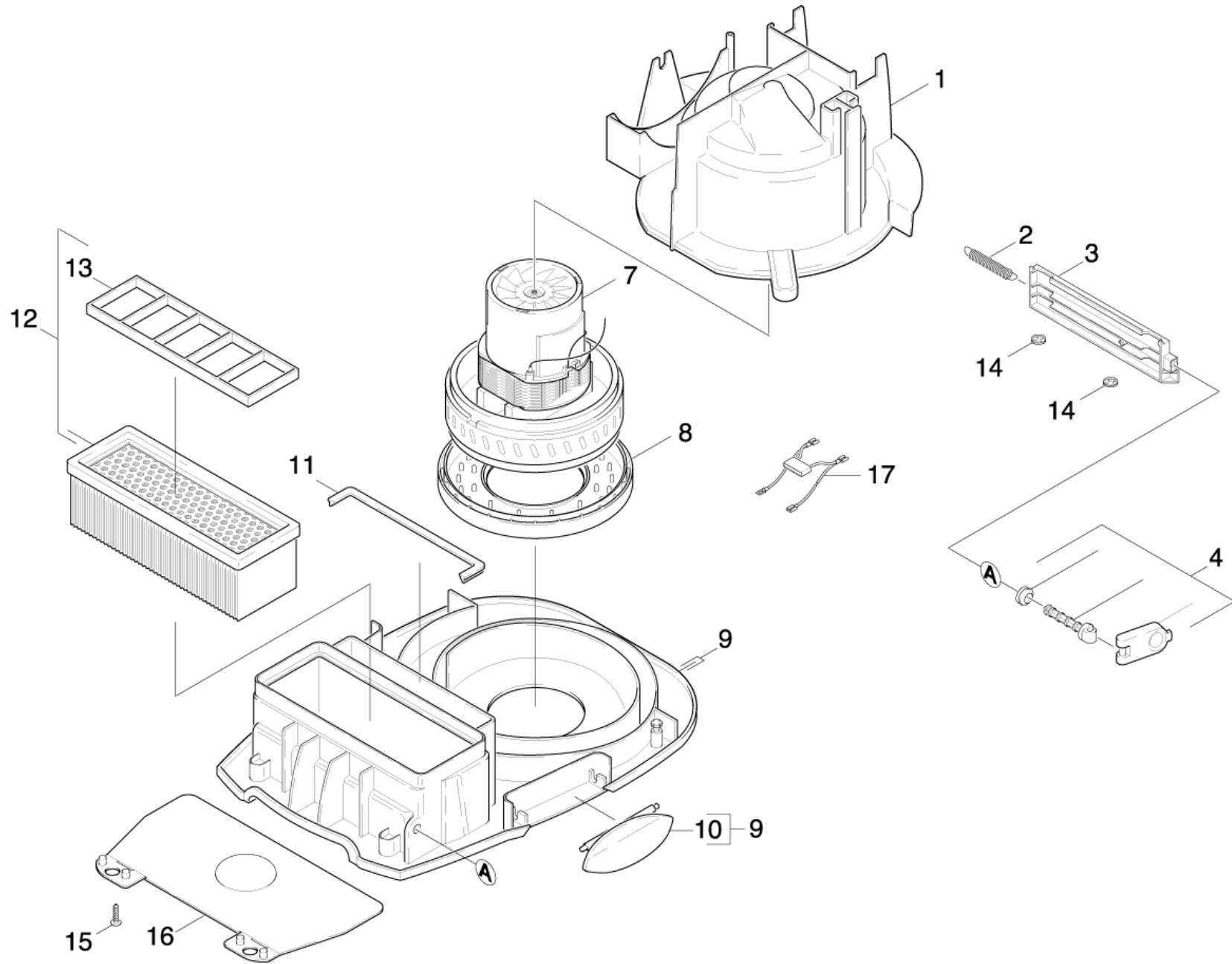


## 20 Bottom part

---

<b>POS</b>	<b>Article no.</b>	<b>Description</b>	<b>Quantity</b>	<b>Unit</b>
5	9.036-479.0	Castor D50	2.000	ST
7	9.036-905.0	Connecting nipple	1.000	ST
2	9.036-912.0	Holder accessories	1.000	ST
0	9.001-242.0	Tank complete A2801	1.000	ST
4	9.036-470.0	Wheel	2.000	ST





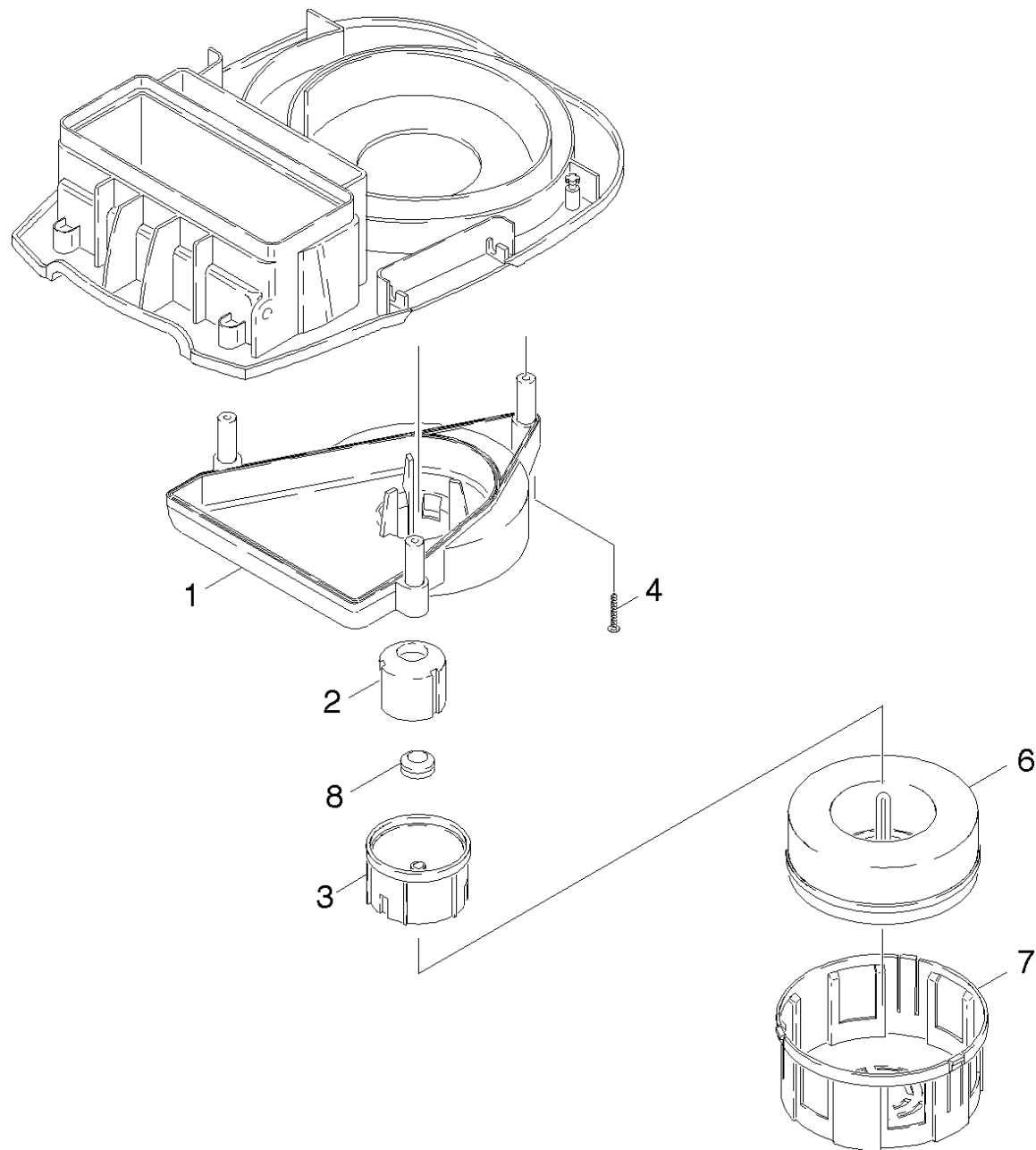
## 30 Turbine

POS	Article no.	Description	Quantity	Unit
16	9.036-632.0	Baffle plate	1.000	ST
17	9.084-069.0	Cable	1.000	ST
2	9.047-042.0	Extension spring	1.000	ST
13	9.036-497.0	Filter frame	1.000	ST
4	9.011-797.0	Filter vibrator	1.000	ST
1	9.036-614.0	Motor housing	1.000	ST
3	9.036-475.0	Moulded part	1.000	ST
11	9.048-042.0	Profile gasket	1.000	ST
8	5.365-226.0	Profile gasket	1.000	ST
14	6.343-169.0	Quick-fastener	2.000	ST
15	6.303-223.0	Screw 4,2X22	1.000	ST
12	6.414-498.0	Set flat-pleated filter	1.000	ST
10	2.884-295.0	SET VERSCHLUSS	1.000	ST
9	2.884-294.0	Spare parts set motor bracket black	1.000	ST
7	6.490-106.0	Vacuum motor 230V	1.000	ST
	<b>Item text1:</b> / 1.347-301.0 / -302.0 / -401.0			
	<b>Item text2:</b> / -402.0			
7	6.490-107.0	Vacuum motor 240V	1.000	ST
	<b>Item text1:</b> / 1.347-303.0 / -304.0 / -403.0			
	<b>Item text2:</b> / -404.0			

10 SET VERSCHLUSS (2.884-295.0)

---

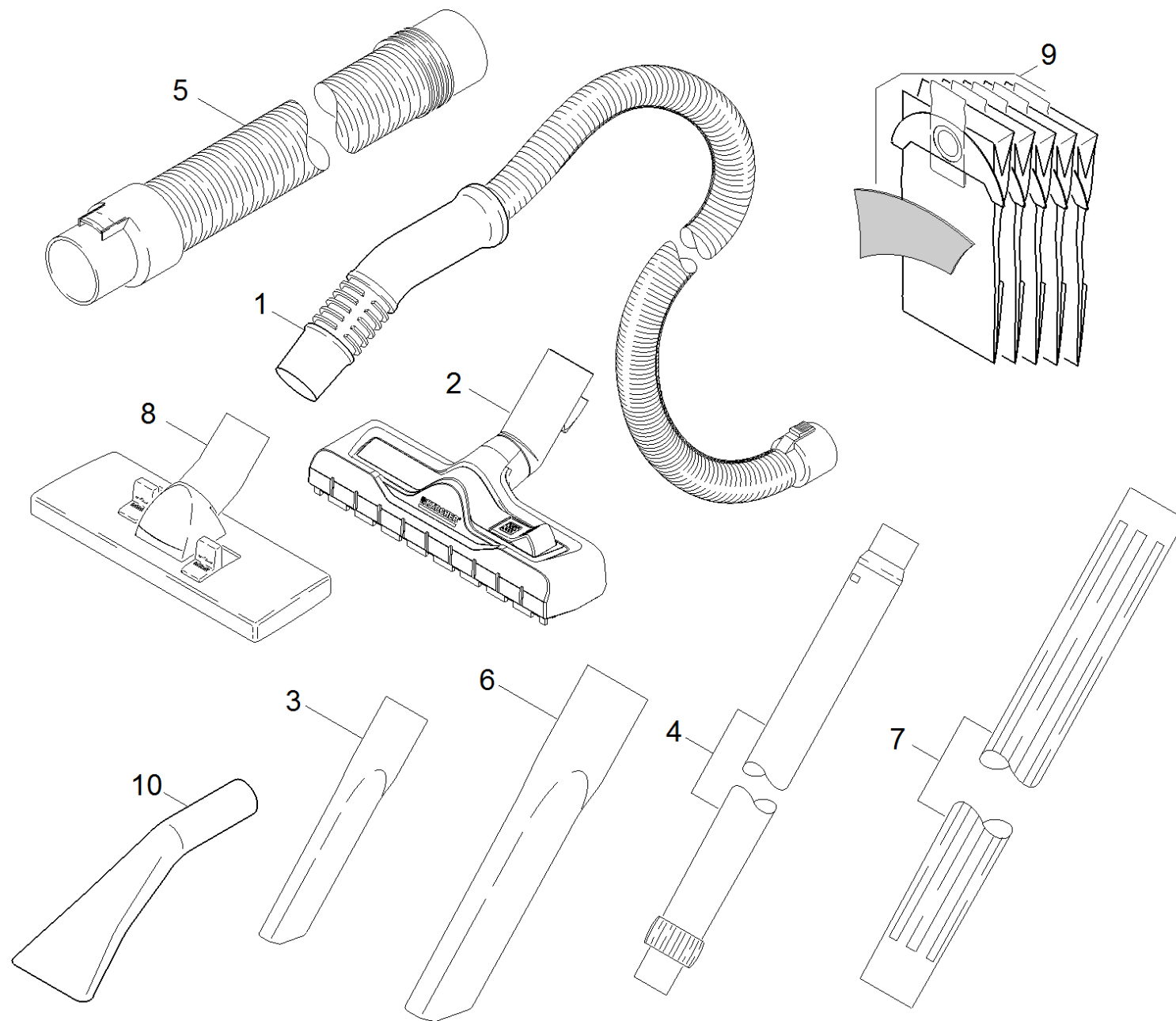
POS	Article no.	Description	Quantity	Unit
10	9.036-911.0	Closure black A2701/A2801	2.000	ST



## 40 Float

---

<b>POS</b>	<b>Article no.</b>	<b>Description</b>	<b>Quantity</b>	<b>Unit</b>
3	9.036-514.0	Cap closure	1.000	ST
1	9.036-615.0	Covering cap	1.000	ST
7	9.036-509.0	Covering cap float	1.000	ST
6	9.036-513.0	Float	1.000	ST
2	9.036-515.0	Float	1.000	ST
8	9.048-065.0	Ring S 6	1.000	ST
4	6.303-223.0	Screw 4,2X22	3.000	ST



## 50 Accessories

POS	Article no.	Description	Quantity	Unit
10	2.863-145.0	Car nozzle packaged	1.000	ST
	<b>Item text1:</b> / 1.347-401.0			
8	6.906-511.0	Combination nozzle DN35	1.000	ST
	<b>Item text1:</b> / 1.347-401.0 / -402.0 / -403.0 / -404.0			
3	6.900-385.0	Crevice nozzle DN35	1.000	ST
6	6.903-234.0	Crevice nozzle DN60	1.000	ST
	<b>Item text1:</b> / 1.347-401.0 / -402.0 / -404.0			
9	6.904-263.0	Filter bags 5St.	1.000	ZSA
2	2.863-000.0	Floor tool switchable packaged	1.000	ST
1	9.012-004.0	Suction hose DN35x2	1.000	ST
5	9.011-441.0	Suction hose DN60x2	1.000	ST
	<b>Item text1:</b> / 1.347-401.0 / -402.0 / -404.0			
7	6.902-042.0	Suction tube DN 60	1.000	ST
	<b>Item text1:</b> / 1.347-401.0 / -402.0 / -404.0			
4	2.862-125.0	Telescopic tube	1.000	ST