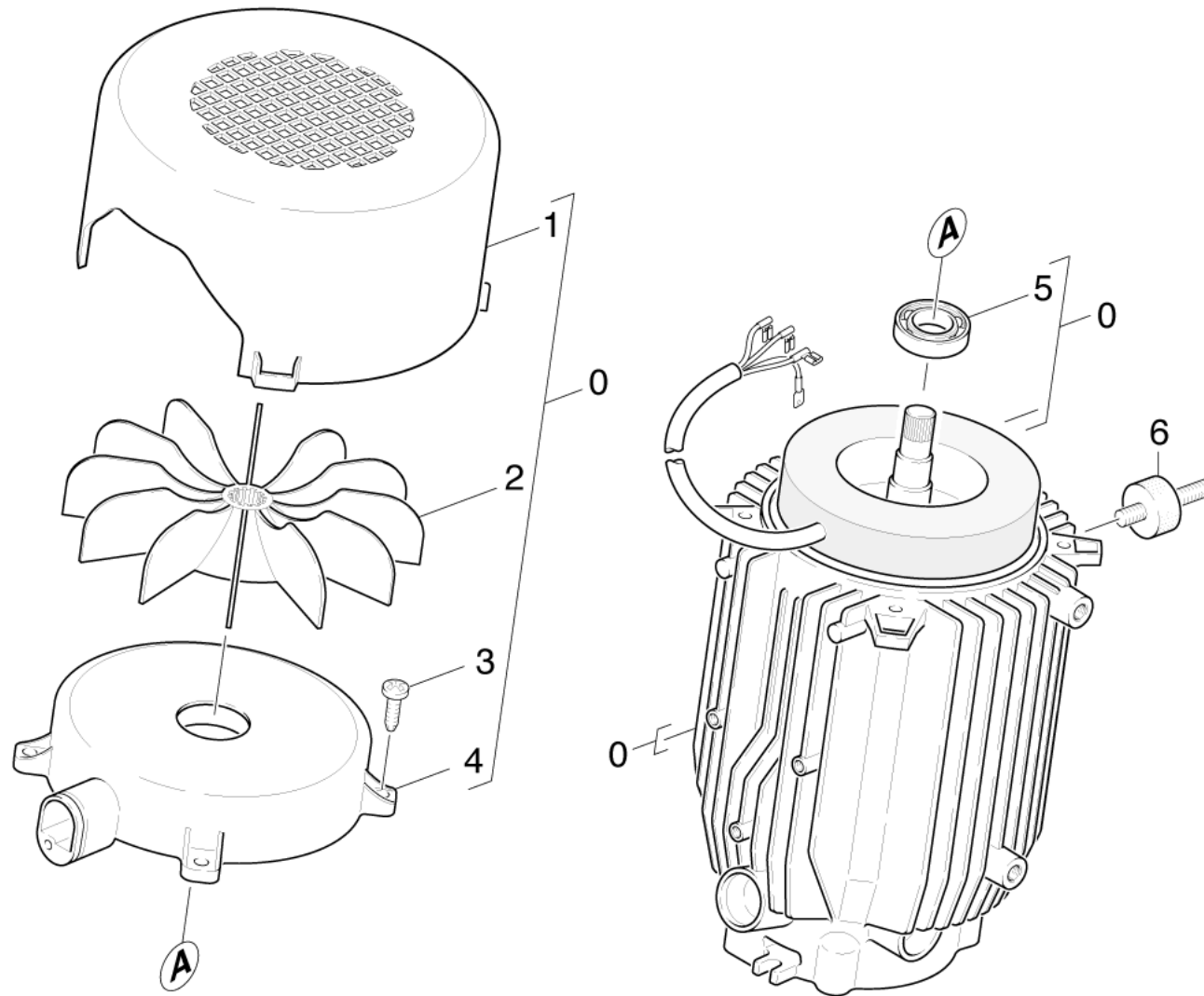


# 31 Motor

Professional \ High pressure cleaner cold water \ Electric motor \ HD 650 \*EU \ Spare parts list HD 650 230V 1 PH 50 HZ \ Motor \ Motor



## 31 Motor

Professional \ High pressure cleaner cold water \ Electric motor \ HD 650 \*EU \ Spare parts list HD 650 230V 1 PH 50 HZ \ Motor \ Motor

**KÄRCHER**

POS	Article no.	Description	Quantity	Unit
0	4.623-387.0	Motor complete only for replacement (WS)	1	PC
		<b>Item text1:</b> / 1.150-101.0 / -103.0 / -113.0		
		<b>Item text2:</b> / -121.0 / -301.0 / -311.0 / -803.0		
0	4.623-454.0	Motor complete only for replacement	1	PC
		<b>Item text1:</b> / 1.150-114.0		
4	5.063-802.0	Bearing cover B	1	PC
		<b>Item text1:</b> / 1.150-109.0 / -114.0		
4	5.093-041.0	Bearing cover B	1	PC
2	5.600-060.3	Blower wheel for replacement	1	PC
1	5.692-033.0	Air circulation	1	PC
3	6.303-320.0	Screw M 5x 20-St-R2R	1	PC
6	6.339-182.0	Rubber buffer	2	PC
5	6.401-331.0	Ball bearing	1	PC
0	7.777-999.0	Stockpiling discontinued	1	PC
		<b>Item text1:</b> / 1.150-109.0		
0	7.777-999.0	Stockpiling discontinued	1	PC
		<b>Item text1:</b> / 1.150-102.0 / -104.0 / -804.0		
		<b>Item text2:</b> / -805.0		