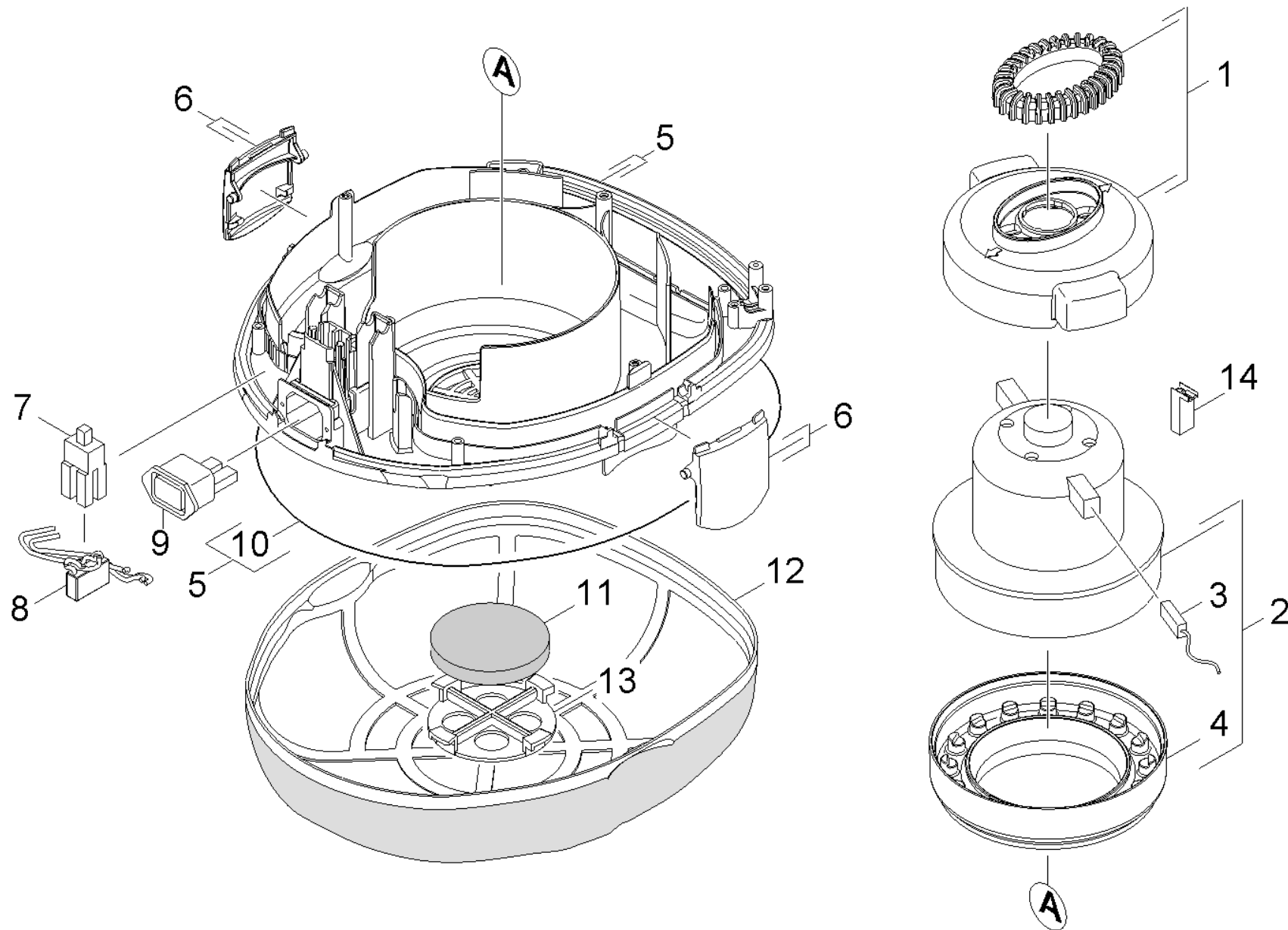


## 20 Vacuum motor

Overview technical documents/Professional/Vacuum cleaner/Dry vacuum cleaner/T 15/1 \*EU (1.355-201.0)/Spare parts list T 15/1/20 Vacuum motor



## 20 Vacuum motor

Overview technical documents/Professional/Vacuum cleaner/Dry vacuum cleaner/T 15/1 \*EU (1.355-201.0)/Spare parts list T 15/1/20 Vacuum motor

Rez.daļas/nodil.pakļ.daļas	Poz.	Materiāla Nr.	Nosaukums	Daudzums	Pārdoš. vienība
	1	4.605-071.0	Housing complete	1.000	ST
X-X	2	4.610-066.0	Motor	1.000	ST
	3	6.610-258.0	Cabon brush set	1.000	ST
	4	5.363-618.0	Bearing motor bottom T12/1	1.000	ST
	5	4.605-098.0	Housing complete only for replacement	1.000	ST
	6	5.033-412.0	Locking clip	2.000	ST
X	7	6.630-437.0	ieslēgšanas/izslēgšanas slēdzis	1.000	ST
	8	4.839-333.0	electrical small partst 12/1	1.000	ST
Pozīcijas teksts: 1.355-201.0 / -202.0 / -203.0 / 204.0 / -207.0 / -208.0 / -211.0 / -212.0 / -213.0 / -214.0 / -217.0 / -218.0 / -221.0 / -223.0					
	8	4.839-404.0	Electrical small parts T15/1 *CN	1.000	ST
Pozīcijas teksts: 1.355-209.0 / -219.0					
	9	6.646-200.0	Plug socket	1.000	ST
	10	6.273-240.0	Seal string cellular rubber D6	1.000	ST
X-X	11	6.414-611.0	Filtri 5 gab.	1.000	ZSA
	12	4.731-011.0	Filtering basket packaged	1.000	ST
	12	5.731-640.0	Filtra grozs	1.000	ST
	13	5.032-674.0	Grate filter motor protecting	1.000	ST
	14	6.490-268.0	Thermal switch 130°C	1.000	ST