

Spare parts list

(1.071-800.0) HDS 13/20-4 S *EU-I

Table of contents

HDS 13/20-4 S *EU-I (1.071-800.0)	4
Spare parts list HDS 13/20 -4S *EU-I (5.972-204.0)	5
10 Housing	6
11 Housing top part	7
8 Device cover complete only for replaceme (4.066-426.0)	9
1 Device cover complete basalt grey RAL 70	10
30 Conversion kit holder large Kessel (2.882-692.0)	12
6 Spare parts list reversion kit holder gr (5.953-328.0)	13
10 Conversion kit holder boiler	14
12 Housing bottom part	16
26 Cover fuel complete (4.064-013.0)	18
20 Pump set	20
21 Cylinder head	21
12 Piston complete (4.553-287.0)	24
16 Valve complete (4.580-611.0)	26
20 Valve (3 Stueck) (2.884-512.0)	28
22 Cylinder head complete (4.550-887.0)	30
34 Piston complete only for replacement (4.553-197.0)	32
40 Valve complete (4.580-594.0)	34
100 Spare part set pump (2.885-033.0)	36
1 Valve (3 Stueck) (2.884-512.0)	38
3 Valve complete (4.580-594.0)	40
4 Valve complete (4.580-611.0)	42
22 Piston	44
4 Piston complete only for replacement (4.553-280.0)	46
30 Motor	48
Motor complete only for replacement (4.623-921.0)	51
6 Piece of tube	53
40 Blower	54
12 Conversion kit blower wheel (2.641-430.0)	56
50 Fuel pump and filter	58
3 Fuel pump only for replacement (4.473-032.0)	60
6 Filter complete (4.730-167.3)	62
1 Filter complete (4.730-167.0)	63
60 Electric control box	65
70 Flow heater	67
71 Burner cover	68
7 Cover pressure boiler only for replaceme (4.654-288.0)	70

Table of contents

11 Conversion kit ignition electrode (2.638-974.0)	72
72 Heating coil	74
1 Vessel mantel complete (4.652-143.0)	76
6 Heating coil (4.680-144.0)	78
73 Burner bottom	79
2 Bottom pressure boiler (4.655-048.0)	81
80 Float valve	83
90 Safety system	85
10 Safety valve complete replacement (4.580-709.0)	87
100 Accessories	89
101 Hand trigger gun	90
1 HAND TRIGGER GUN EASY PRESS (4.775-463.0)	92
9002 Lever complete (4.481-209.0)	94
4 Lever complete (4.481-209.0)	96
102 Rotary controller	98
1 Rotary controller 700L (4.775-471.0)	100
103 High pressure hose	102
1 Hose assembly only for replacement DN8 4 (6.391-351.0)	104
104 Jet pipe	106
1 Jet pipe packaged only for replacement (4.760-660.0)	108
14 Screw connector part (5.401-210.0)	110
8 Screw connector part (5.401-210.0)	111
105 Power nozzle	112
110 Control panel	114

HDS 13/20-4 S *EU-I (1.071-800.0)

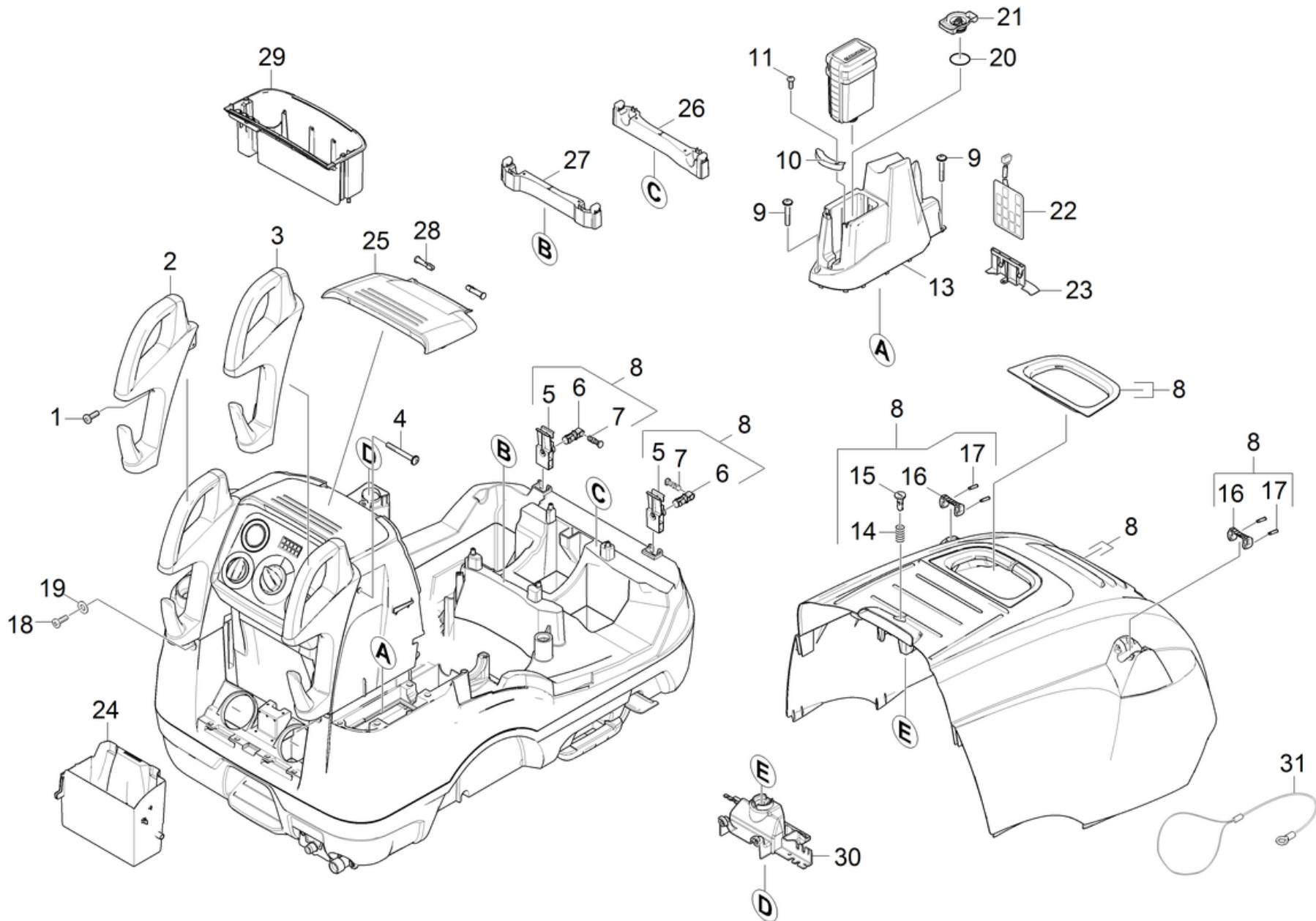
POS	Article no.	Description	Quantity	Unit
0	5.972-204.0	Spare parts list HDS 13/20 -4S *EU-I	1.000	ST

Spare parts list HDS 13/20 -4S *EU-I (5.972-204.0)

POS	Description	Quantity	Unit
10	Housing	1.000	ST
20	Pump set	1.000	ST
30	Motor	1.000	ST
40	Blower	1.000	ST
50	Fuel pump and filter	1.000	ST
60	Electric control box	1.000	ST
70	Flow heater	1.000	ST
80	Float valve	1.000	ST
90	Safety system	1.000	ST
100	Accessories	1.000	ST
110	Control panel	1.000	ST

10 Housing

POS	Description	Quantity	Unit
11	Housing top part	1.000	ST
12	Housing bottom part	1.000	ST

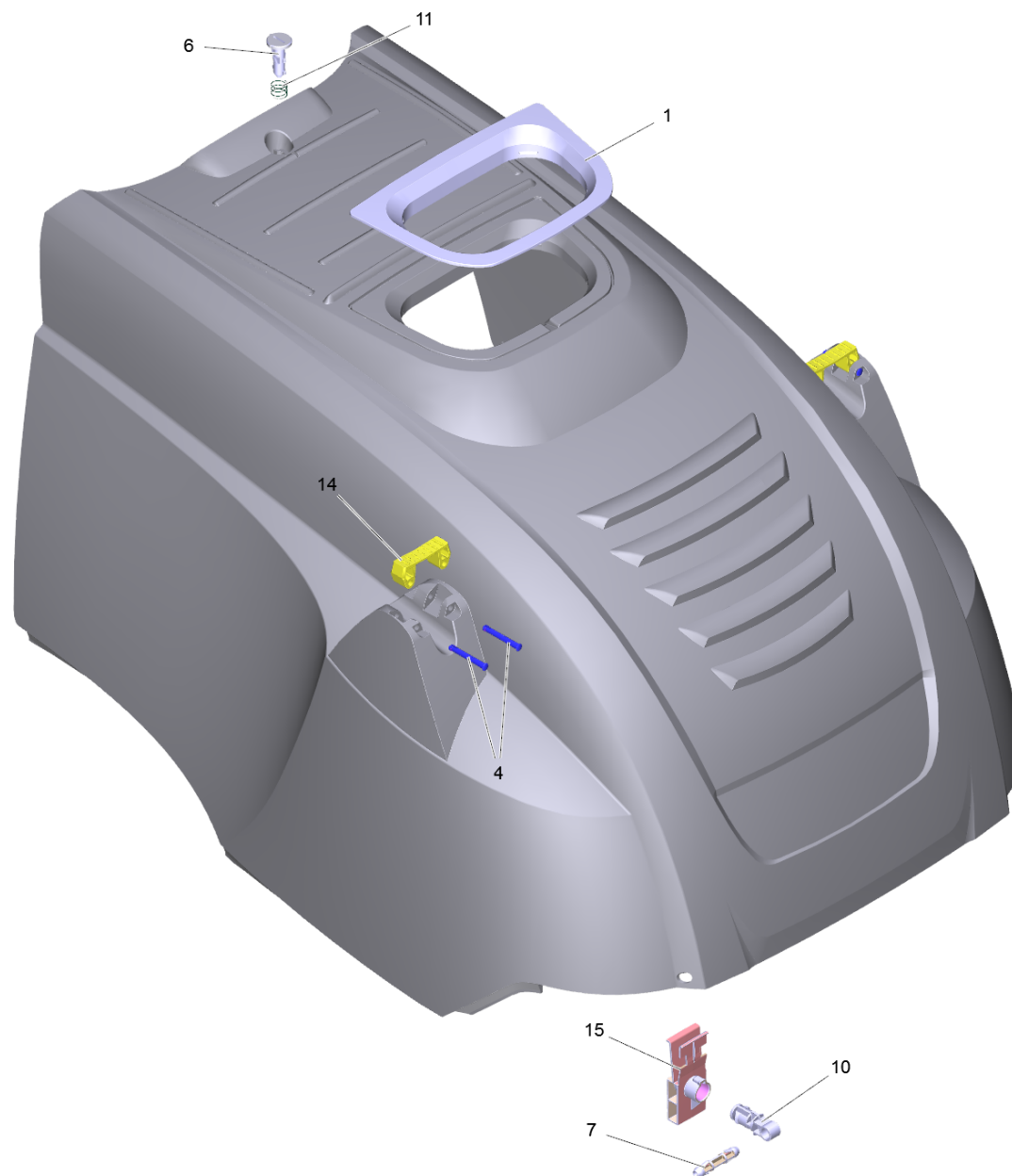


11 Housing top part

POS	Article no.	Description	Quantity	Unit
1	7.303-069.0	Screw M 8x25-ST-R3R (IN6RD)	2.000	ST
2	5.321-830.0	Sliding handle left	1.000	ST
3	5.321-831.3	Sliding handle right	1.000	ST
4	7.303-209.0	Screw 6x50 -10.9-R2R (K-In6Rd)	2.000	ST
5	5.501-083.0	Hinge cover black	2.000	ST
6	5.317-779.0	Bolt hinge black	2.000	ST
7	5.317-291.0	Bolt	2.000	ST
8	4.066-426.0	Device cover complete only for replaceme	1.000	ST
9	7.303-086.0	Screw 5x30 -10.9-R2R (K-In6Rd)	2.000	ST
10	5.033-381.0	Profile	1.000	ST
11	7.303-106.0	Screw 4x12 -10.9-R2R (IN6RD)	1.000	ST
13	5.033-344.0	Covering cap DGT	1.000	ST
14	5.332-236.0	Helical spring	1.000	ST
15	5.317-765.0	Bolt closure cover	1.000	ST
16	5.424-162.0	Fixing jet pipe	2.000	ST
17	5.314-143.0	Pin fixing jet pipe	4.000	ST
18	6.303-497.0	Screw M8x35-8.8-A2E (IN6RD)	2.000	ST
19	7.312-277.0	Washer 8-200HV-A2E ISO7093-1	2.000	ST
20	6.362-377.0	O-Ring seal 38,0 X 2,0-NBR 70	1.000	ST
21	5.425-495.0	CONNECTION PIECE DGT	1.000	ST
22	2.885-055.0	Circuit board	1.000	ST
23	5.044-889.0	Holder circuit board	1.000	ST
24	5.033-155.0	Flap	1.000	ST
25	5.033-113.0	Flap	1.000	ST
26	5.190-249.0	Strip front	1.000	ST
27	5.190-250.0	Strip rear	1.000	ST
28	5.317-220.0	Bolt	2.000	ST
29	5.033-112.0	Storage compartment	1.000	ST
30	2.882-692.0	Conversion kit holder large Kessel	1.000	ST
31	6.431-274.0	Tackle cover	1.000	ST
32	5.061-455.0	Sheet metal component	1.000	ST

8 Device cover complete only for replaceme (4.066-426.0)

POS	Description	Quantity	Unit
1	Device cover complete basalt grey RAL 70	1.000	ST



1 Device cover complete basalt grey RAL 70

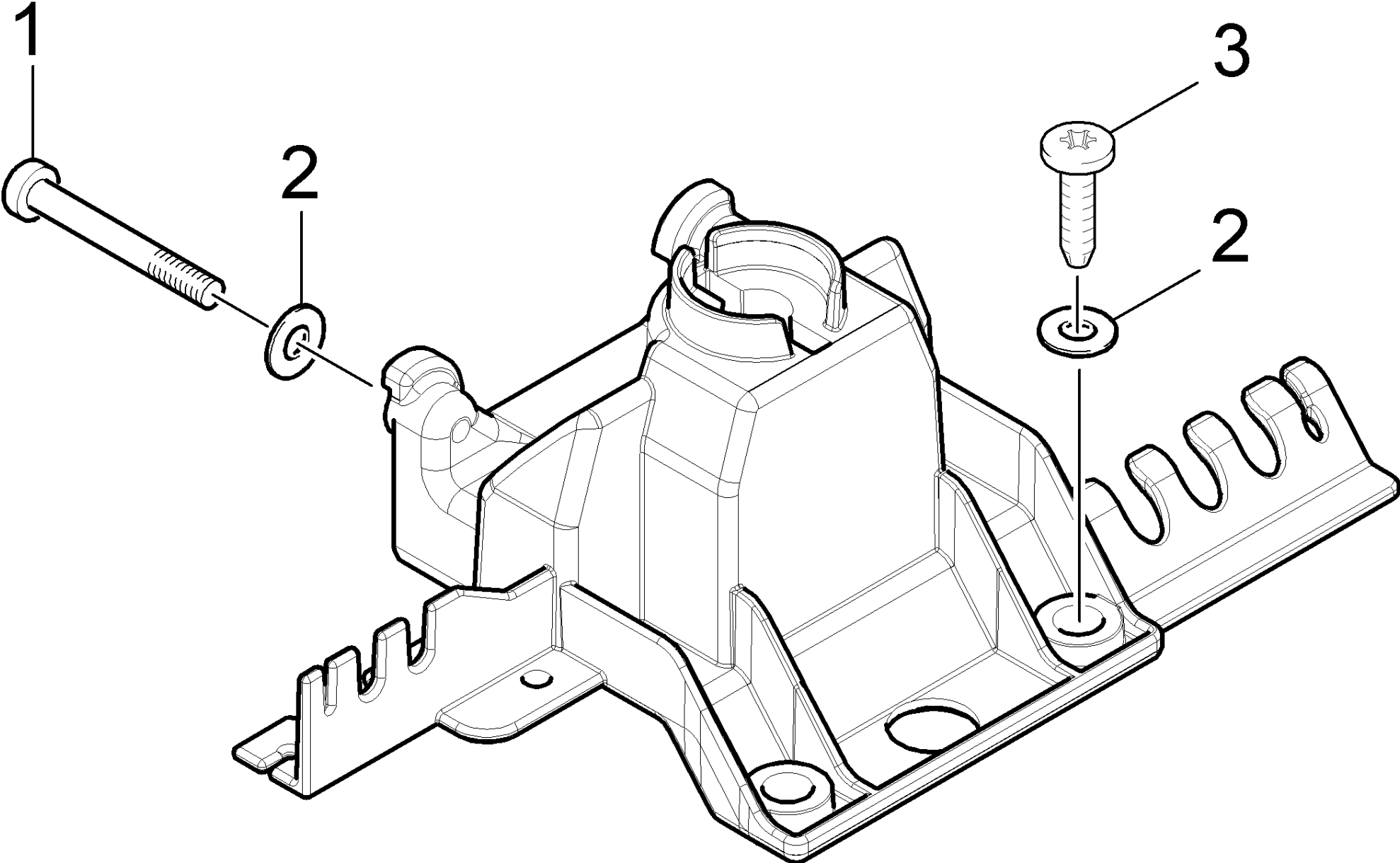
POS	Article no.	Description	Quantity	Unit
1	5.061-455.0	Sheet metal component	1.000	ST
4	5.314-143.0	Pin fixing jet pipe	4.000	ST
6	5.317-765.0	Bolt closure cover	1.000	ST
7	5.317-291.0	Bolt	2.000	ST
10	5.317-779.0	Bolt hinge black	2.000	ST
11	5.332-236.0	Helical spring	1.000	ST
14	5.424-162.0	Fixing jet pipe	2.000	ST
15	5.501-083.0	Hinge cover black	2.000	ST

30 Conversion kit holder large Kessel (2.882-692.0)

POS	Article no.	Description	Quantity	Unit
6	5.953-328.0	Spare parts list reversion kit holder gr	1.000	ST

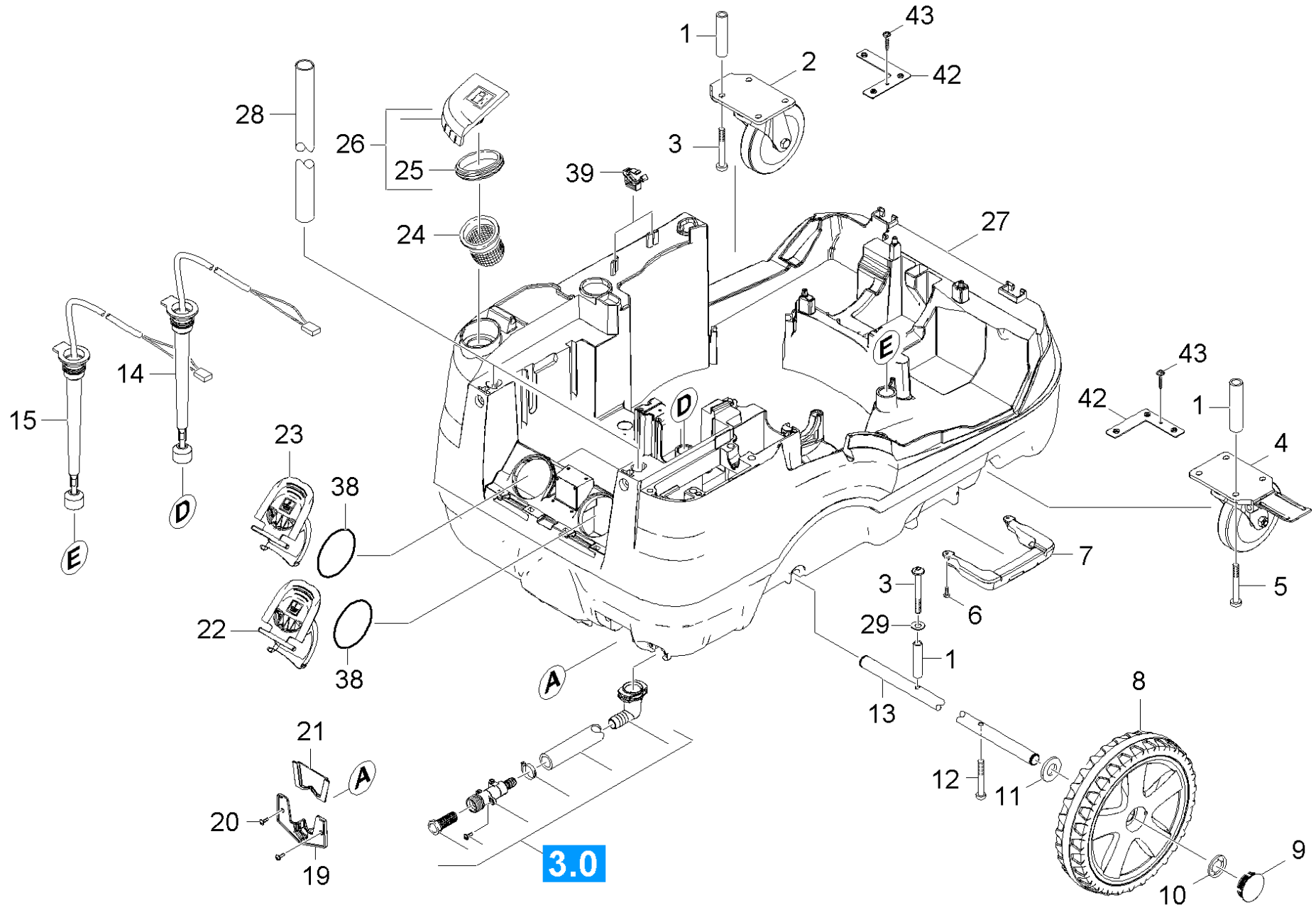
6 Spare parts list reversion kit holder gr (5.953-328.0)

POS	Description	Quantity	Unit
10	Conversion kit holder boiler	1.000	ST



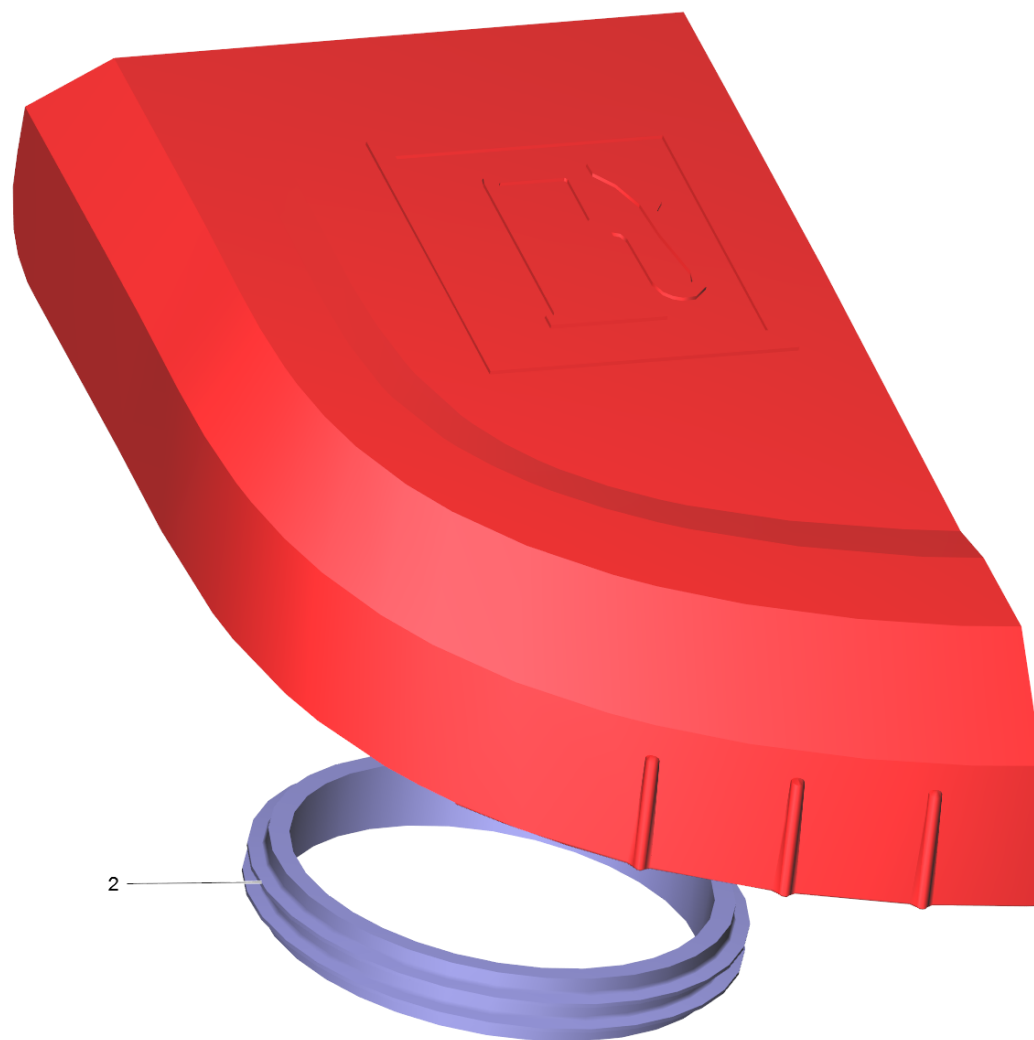
10 Conversion kit holder boiler

POS	Article no.	Description	Quantity	Unit
1	7.303-111.0	Screw 5x50 -10.9-R2R (K-In6Rd)	2.000	ST
2	7.312-278.0	Washer 5-200HV-A2E ISO7093-1	4.000	ST
3	6.303-320.0	Screw M 5x 20-St-R2R	2.000	ST



12 Housing bottom part

POS	Article no.	Description	Quantity	Unit	Foot note text
1	5.111-065.0	Spacer sleeve	7.000	ST	
2	6.435-777.0	Castor D 160	1.000	ST	
3	7.303-236.0	Screw M 8x60-St-A3E (IN6RD)	4.000	ST	
4	6.435-747.0	Castor	1.000	ST	
5	7.303-237.0	Screw M 8x70-St-A3K (IN6RD)	3.000	ST	
6	7.303-046.0	Screw M6x12 -St-R3R (In6Rd)	4.000	ST	
7	5.424-136.0	Fixing	2.000	ST	
8	4.515-345.0	Wheel complete	2.000	ST	
9	2.889-086.0	Set wheel cap	1.000	ST	SET OF 2 PIECES
10	6.343-162.0	Lock washer -25	2.000	ST	
11	7.312-060.0	Washer 24-100HV-A3E ISO 7091	2.000	ST	
12	7.303-236.0	Screw M 8x60-St-A3E (IN6RD)	1.000	ST	
13	5.105-652.0	Axle	1.000	ST	
14	4.747-095.0	Level probe	1.000	ST	
15	4.747-096.0	Level probe	1.000	ST	
19	5.263-087.0	Tensioning part	1.000	ST	
20	7.303-086.0	Screw 5x30 -10.9-R2R (K-In6Rd)	2.000	ST	
21	5.263-088.0	Tensioning part	1.000	ST	
22	5.064-231.0	Cover chemistry 2	1.000	ST	
23	5.064-221.0	Cover chemistry 1	1.000	ST	
24	5.731-039.0	Filter	1.000	ST	
25	5.363-300.0	Joint ring	1.000	ST	
26	4.064-013.0	Cover fuel complete	1.000	ST	
27	4.051-109.0	Frame neue M-Klasse Ersatz	1.000	ST	
28	5.027-292.0	Tube handhold	2.000	ST	
29	7.312-277.0	Washer 8-200HV-A2E ISO7093-1	1.000	ST	
38	6.363-443.0	O-Ring seal 75x5	2.000	ST	
39	5.802-306.0	Holder cable	2.000	ST	
42	5.424-137.0	Fixing castor	2.000	ST	
43	7.303-107.0	Screw 5x16 -10.9-P2R (K-In6Rd)	2.000	ST	

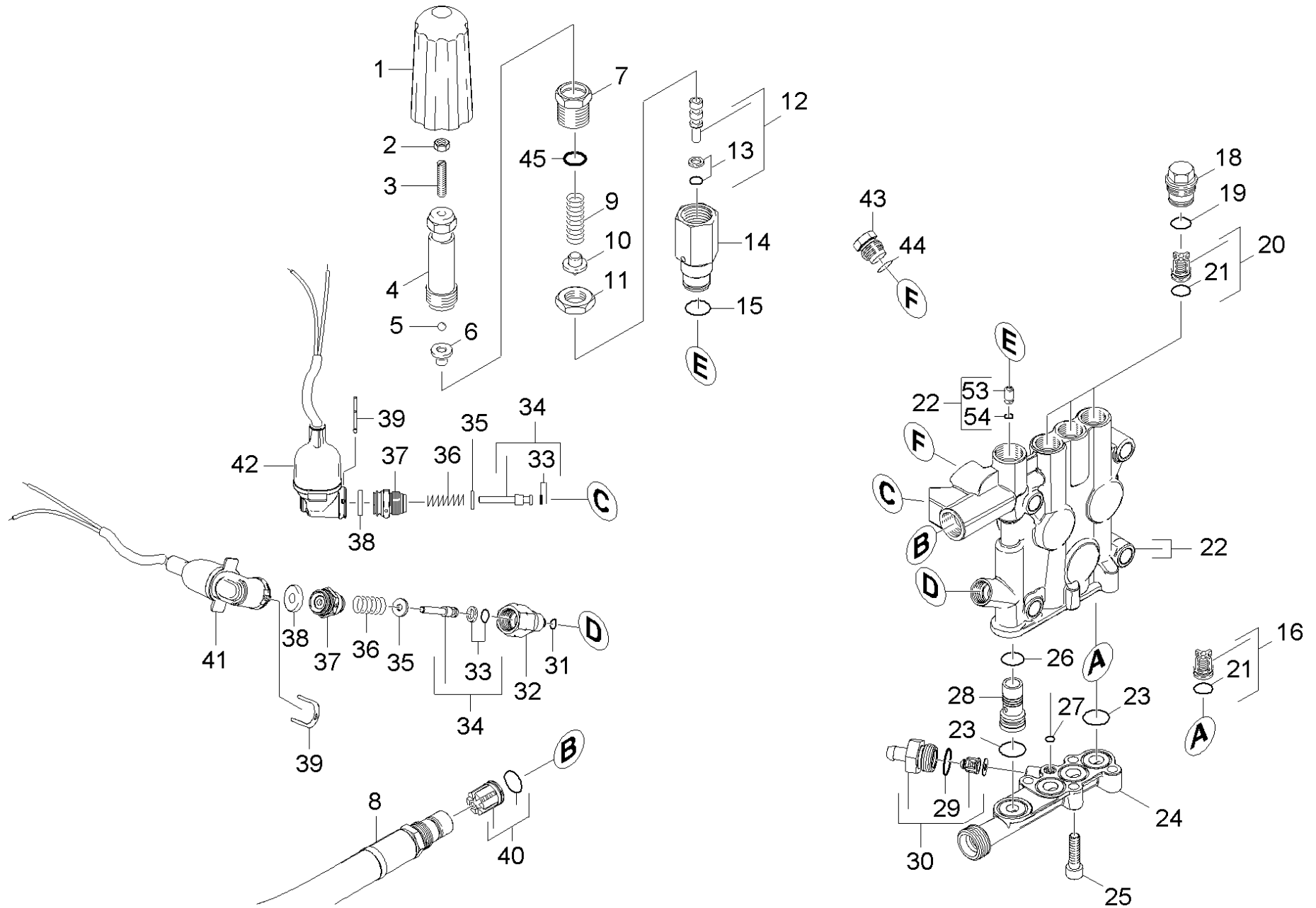


26 Cover fuel complete (4.064-013.0)

POS	Article no.	Description	Quantity	Unit
2	5.363-300.0	Joint ring	1.000	ST

20 Pump set

POS	Description	Quantity	Unit
21	Cylinder head	1.000	ST
22	Piston	1.000	ST

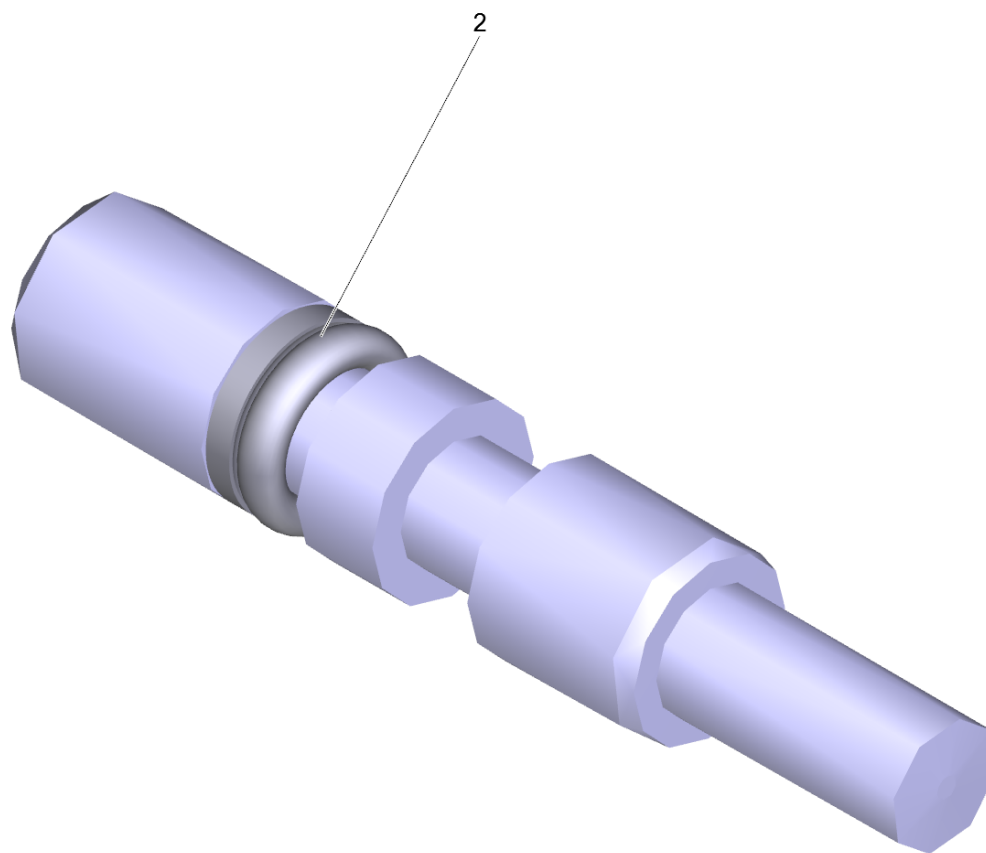


21 Cylinder head

POS	Article no.	Description	Quantity	Unit
1	5.322-103.0	Handle	1.000	ST
2	7.311-002.0	Hexagon nut M5 -6-A2E ISO 4032	1.000	ST
3	7.307-017.0	Threaded pin M5x40 -St-45H-A2E ISO 4026	1.000	ST
4	5.304-070.0	Hexagonal head screw	1.000	ST
5	7.401-931.0	Sphere 5 K13 -1.4401 DIN 5401	1.000	ST
6	5.582-121.0	Valve disc	1.000	ST
7	5.404-082.0	Hollow screw	1.000	ST
8	6.391-629.0	High pressure hose DN 13	1.000	ST
9	5.332-444.0	Helical spring	1.000	ST
10	5.584-114.0	Valve pin	1.000	ST
11	5.311-204.0	Hexagon nut M22x1,5	1.000	ST
12	4.553-287.0	Piston complete	1.000	ST
13	6.362-468.0	O-Ring seal complete 1ST.-R.	1.000	ST
14	5.402-746.0	Connection piece	1.000	ST
15	6.362-427.0	O-Ring seal 15,0x2,0	1.000	ST
16	4.580-611.0	Valve complete	3.000	ST
18	5.583-146.3	Valve screw	3.000	ST
19	6.362-481.0	O-Ring seal 14,0 x 2,0 NBR 80	3.000	ST
20	2.884-512.0	Valve (3 Stueck)	1.000	ST
21	6.363-003.0	O-Ring seal 13,0 X 2,0-NBR 90	6.000	ST
22	4.550-887.0	Cylinder head complete	1.000	ST
23	6.363-536.0	O-Ring seal 21x1,5	4.000	ST
24	5.427-418.0	Manifold water intake	1.000	ST
25	7.306-043.0	Cylinder head screw M8x30 -8.8-A2E ISO	4.000	ST
26	6.362-381.0	O-Ring seal 13x2 - NBR 70	1.000	ST
27	6.362-703.0	O-Ring seal 6,0x1,5-NBR 70	1.000	ST
28	5.110-867.0	Sleeve	1.000	ST
29	6.362-427.0	O-Ring seal 15,0x2,0	1.000	ST
30	4.580-581.3	Valve complete	1.000	ST
31	6.362-853.0	O-Ring seal 4,47x1,78	1.000	ST
32	5.402-705.3	Joining piece	1.000	ST
33	6.363-037.0	O-Ring seal complete 1ST.-R.	2.000	ST
34	4.553-197.0	Piston complete only for replacement	2.000	ST

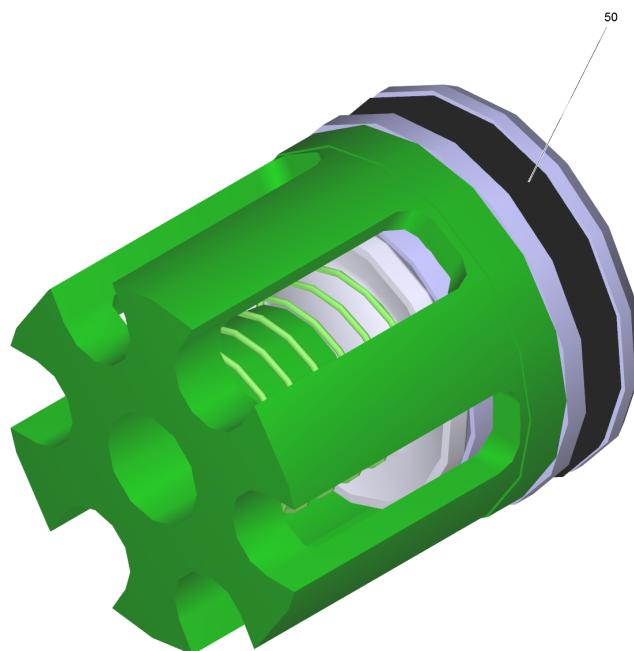
21 Cylinder head

POS	Article no.	Description	Quantity	Unit
35	5.115-796.0	Washer	2.000	ST
36	5.332-268.0	Helical spring	2.000	ST
37	5.411-148.0	Screw plug	2.000	ST
38	5.367-030.0	Diaphragm	2.000	ST
39	5.034-494.0	Retaining bracket	2.000	ST
40	4.580-594.0	Valve complete	1.000	ST
41	4.744-225.3	Switch complete	1.000	ST
42	4.744-224.0	Switch complete	1.000	ST
43	5.411-504.0	Screw plug	1.000	ST
44	6.362-176.0	O-Ring seal 6,07x1,78	1.000	ST
45	6.362-079.0	O-Ring seal 18,0 X 2,5	1.000	ST
53	5.581-239.0	Valve seat	1.000	ST
54	6.362-386.0	O-Ring seal 5,0 x 1,5-NBR 80	1.000	ST
100	2.885-033.0	Spare part set pump	1.000	ST



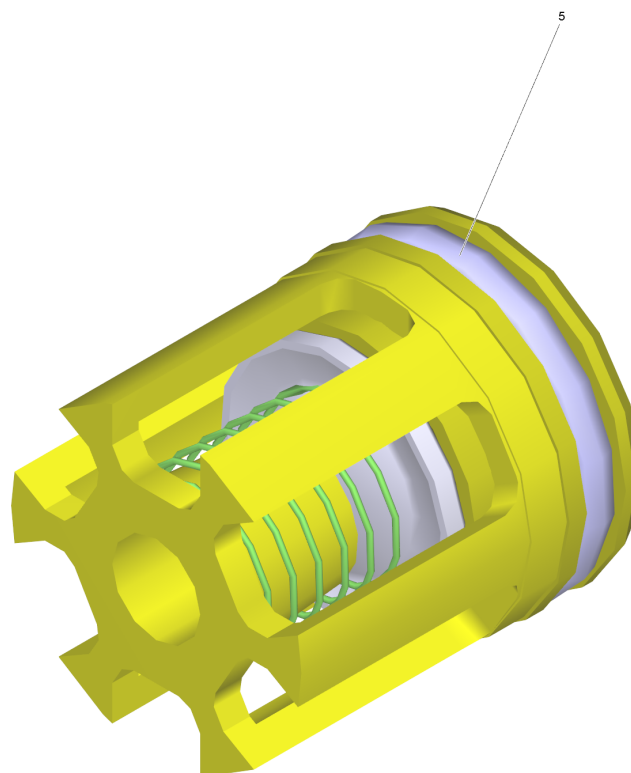
12 Piston complete (4.553-287.0)

POS	Article no.	Description	Quantity	Unit
2	6.362-468.0	O-Ring seal complete 1ST.-R.	1.000	ST



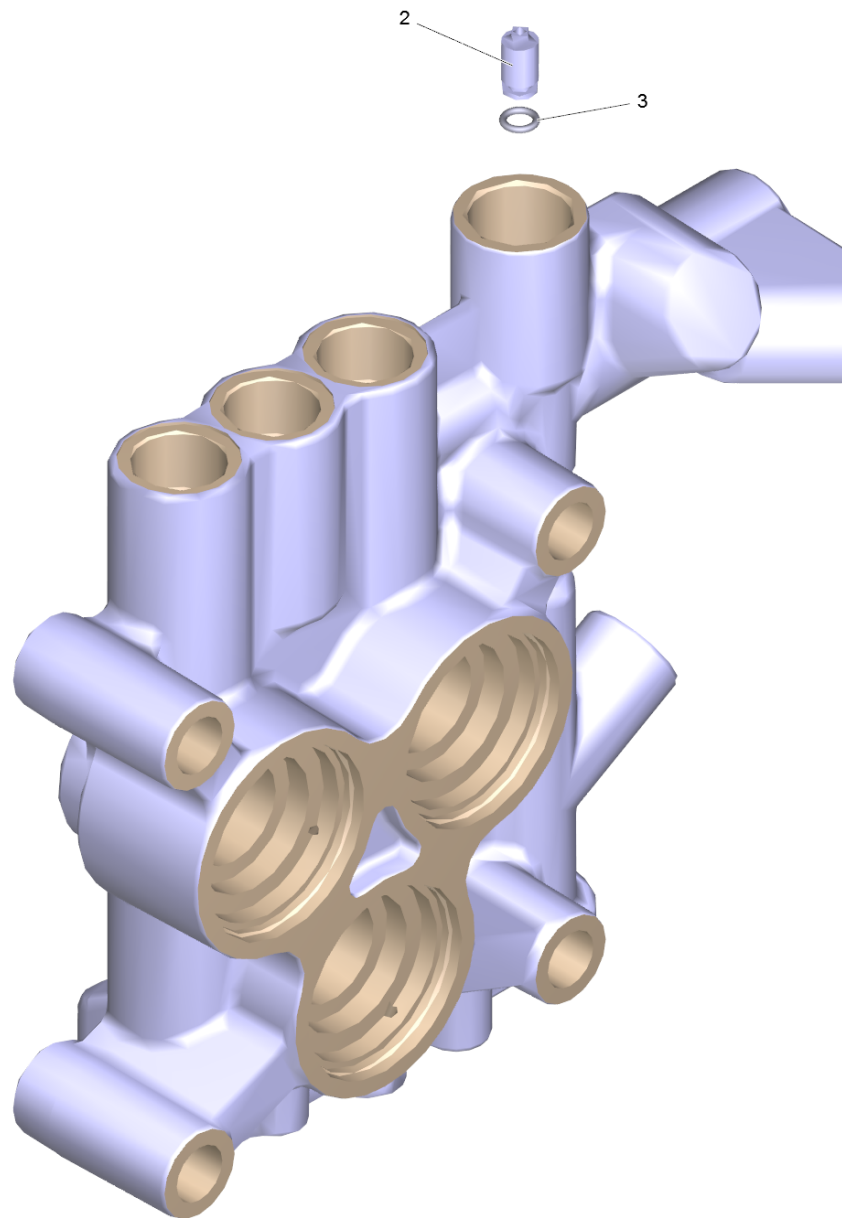
16 Valve complete (4.580-611.0)

POS	Article no.	Description	Quantity	Unit
50	6.363-003.0	O-Ring seal 13,0 X 2,0-NBR 90	1.000	ST



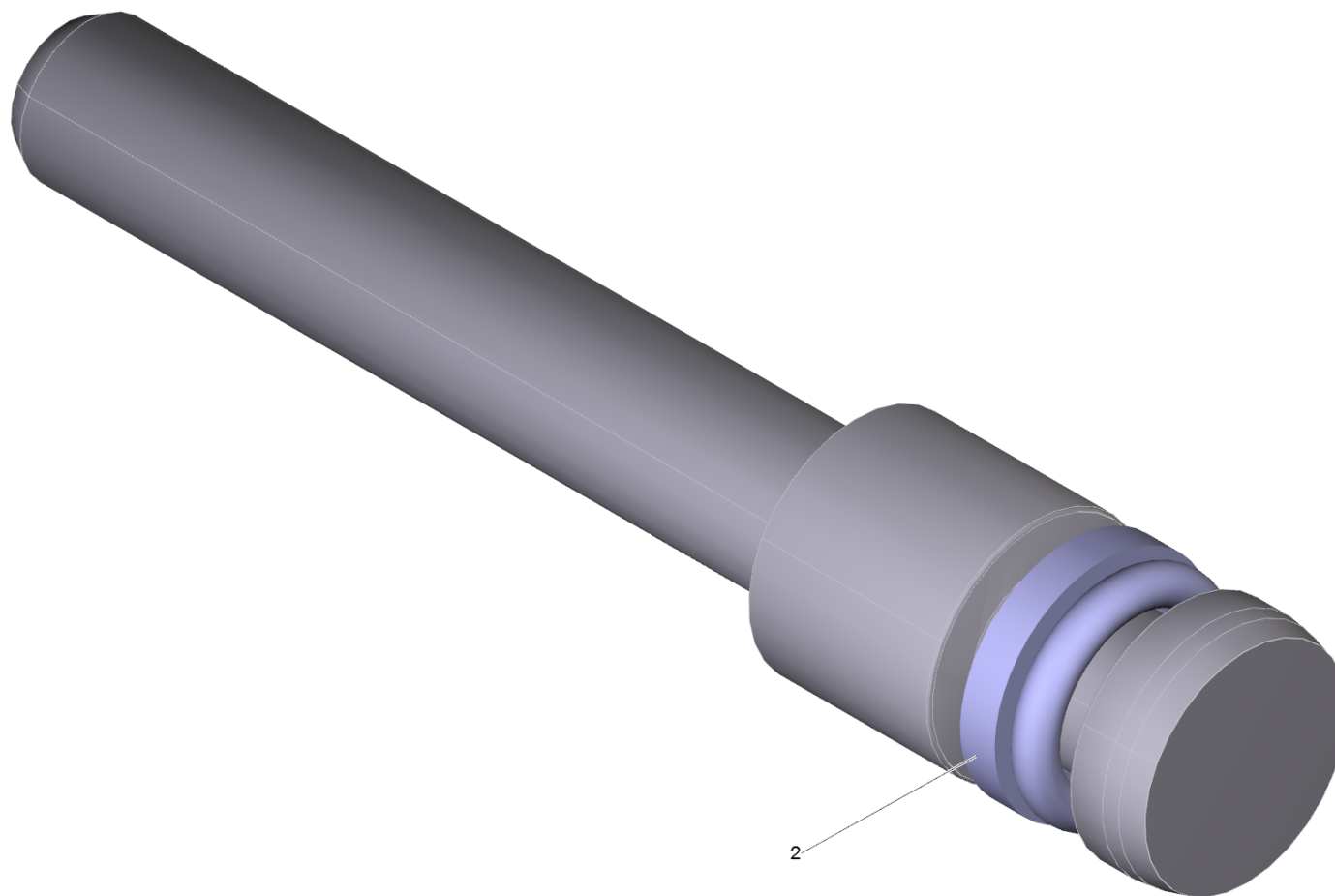
20 Valve (3 Stueck) (2.884-512.0)

POS	Article no.	Description	Quantity	Unit
5	6.363-003.0	O-Ring seal 13,0 X 2,0-NBR 90	1.000	ST



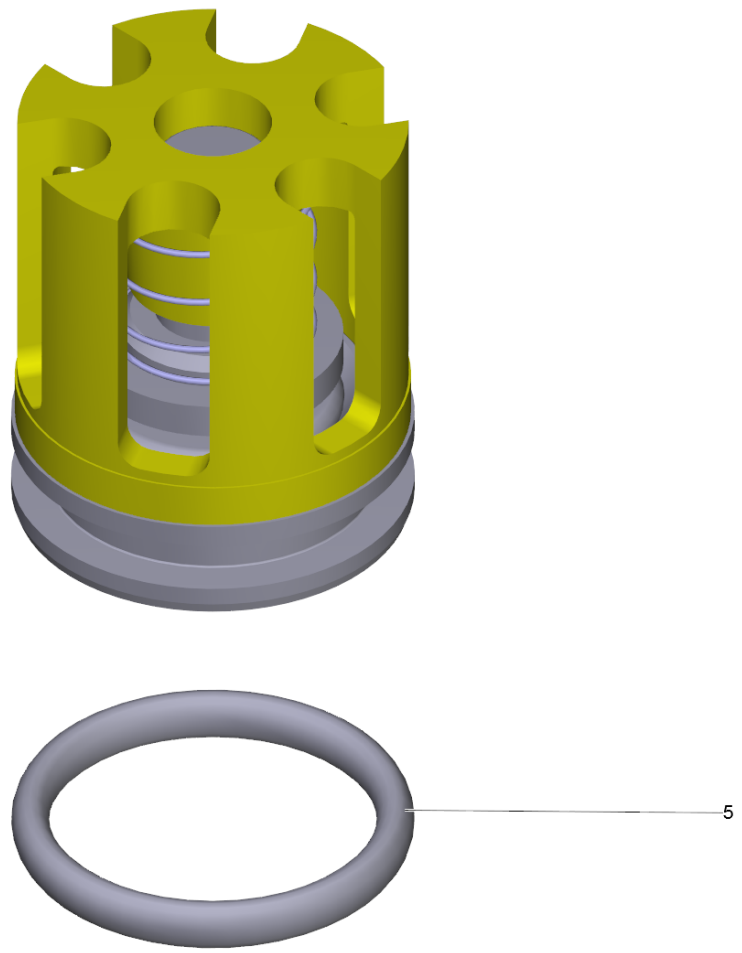
22 Cylinder head complete (4.550-887.0)

POS	Article no.	Description	Quantity	Unit
2	5.581-239.0	Valve seat	1.000	ST
3	6.362-386.0	O-Ring seal 5,0 x 1,5-NBR 80	1.000	ST



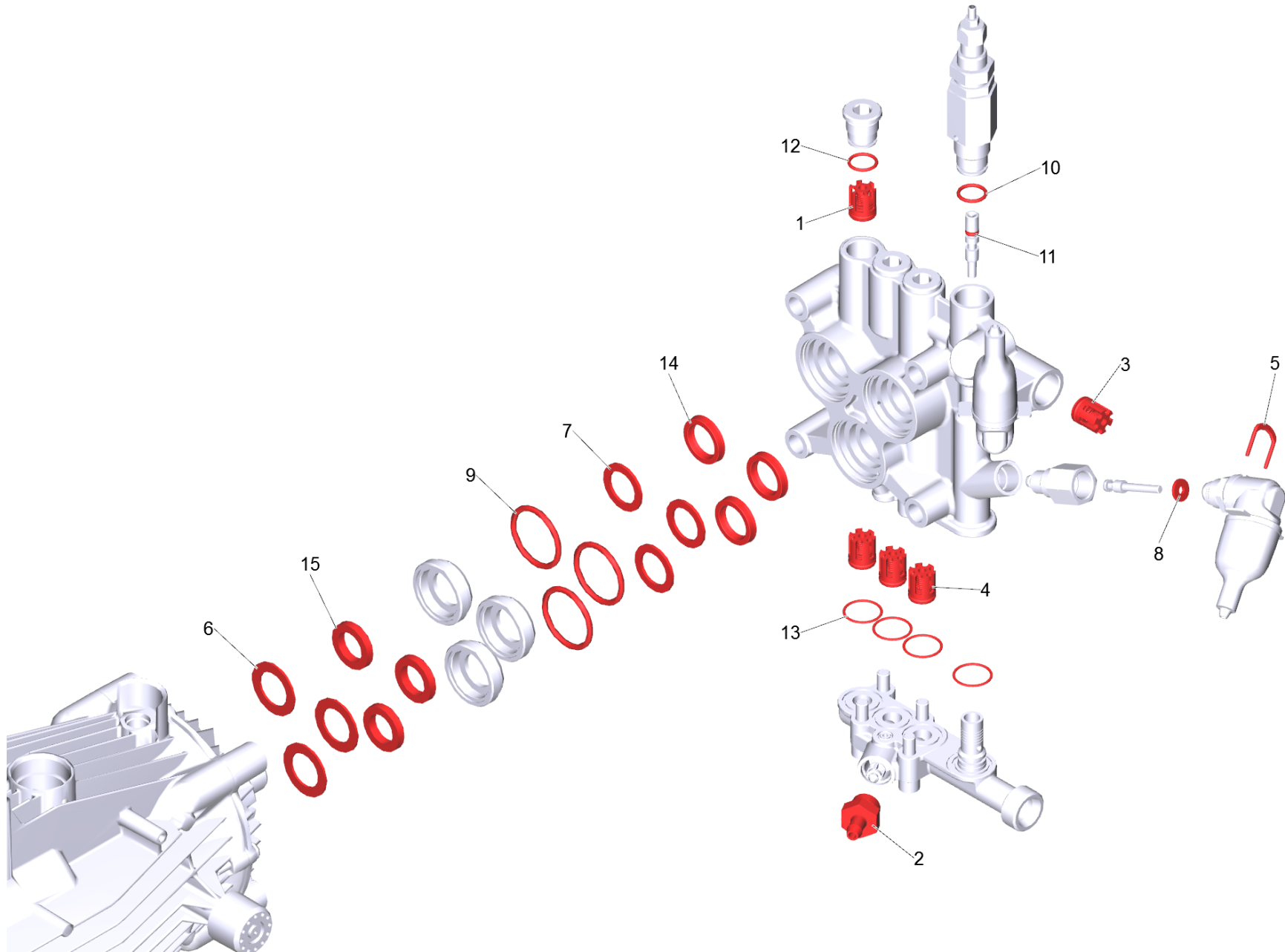
34 Piston complete only for replacement (4.553-197.0)

POS	Article no.	Description	Quantity	Unit
2	6.363-037.0	O-Ring seal complete 1ST.-R.	1.000	ST



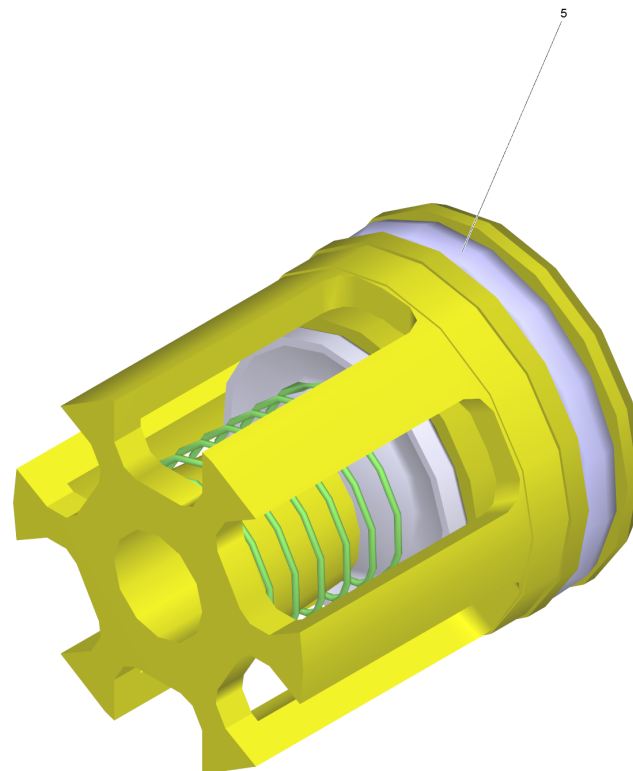
40 Valve complete (4.580-594.0)

POS	Article no.	Description	Quantity	Unit
5	6.362-381.0	O-Ring seal 13x2 - NBR 70	1.000	ST



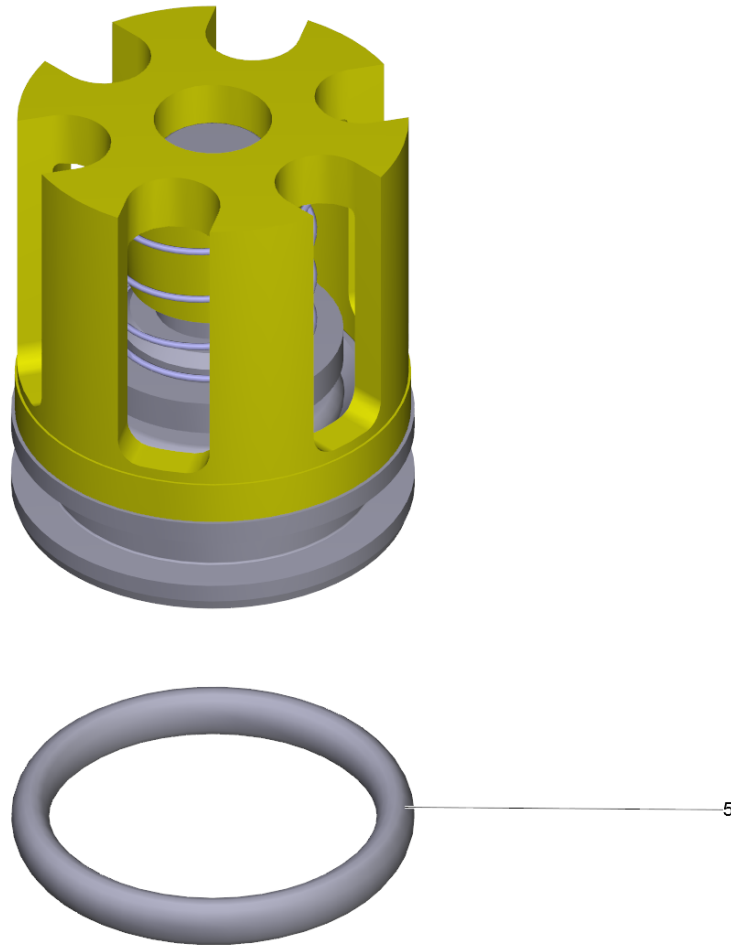
100 Spare part set pump (2.885-033.0)

POS	Article no.	Description	Quantity	Unit
1	2.884-512.0	Valve (3 Stueck)	1.000	ST
2	4.580-581.3	Valve complete	1.000	ST
3	4.580-594.0	Valve complete	1.000	ST
4	4.580-611.0	Valve complete	3.000	ST
5	5.034-494.0	Retaining bracket	2.000	ST
6	5.115-520.0	Washer	3.000	ST
7	5.115-521.0	Washer	3.000	ST
8	5.115-796.0	Washer	2.000	ST
9	6.362-092.0	O-Ring seal 36,0 X 2,0-NBR 70	3.000	ST
10	6.362-427.0	O-Ring seal 15,0x2,0	1.000	ST
11	6.362-468.0	O-Ring seal complete 1ST.-R.	1.000	ST
12	6.362-481.0	O-Ring seal 14,0 x 2,0 NBR 80	3.000	ST
13	6.362-547.0	O-Ring seal 20,0x1,5-NBR 70	4.000	ST
14	6.365-055.0	Grooved ring 22x30x5	3.000	ST
15	6.365-056.0	Compact seal 22X32X6	3.000	ST



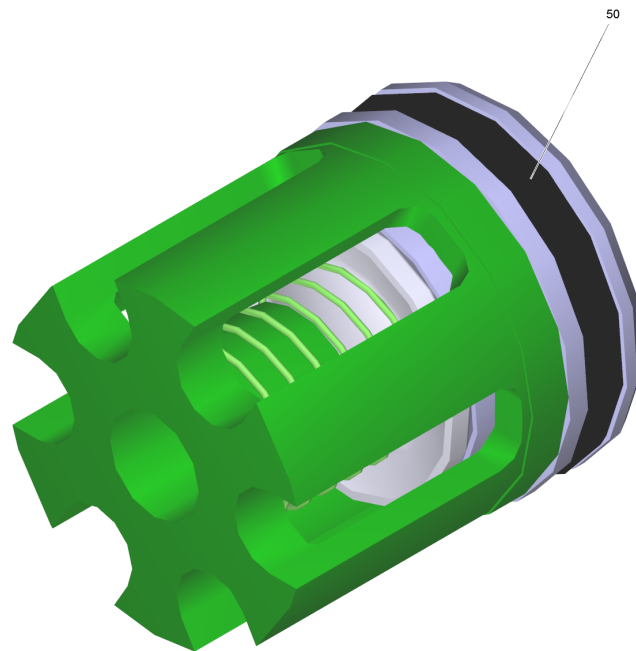
1 Valve (3 Stueck) (2.884-512.0)

POS	Article no.	Description	Quantity	Unit
5	6.363-003.0	O-Ring seal 13,0 X 2,0-NBR 90	1.000	ST



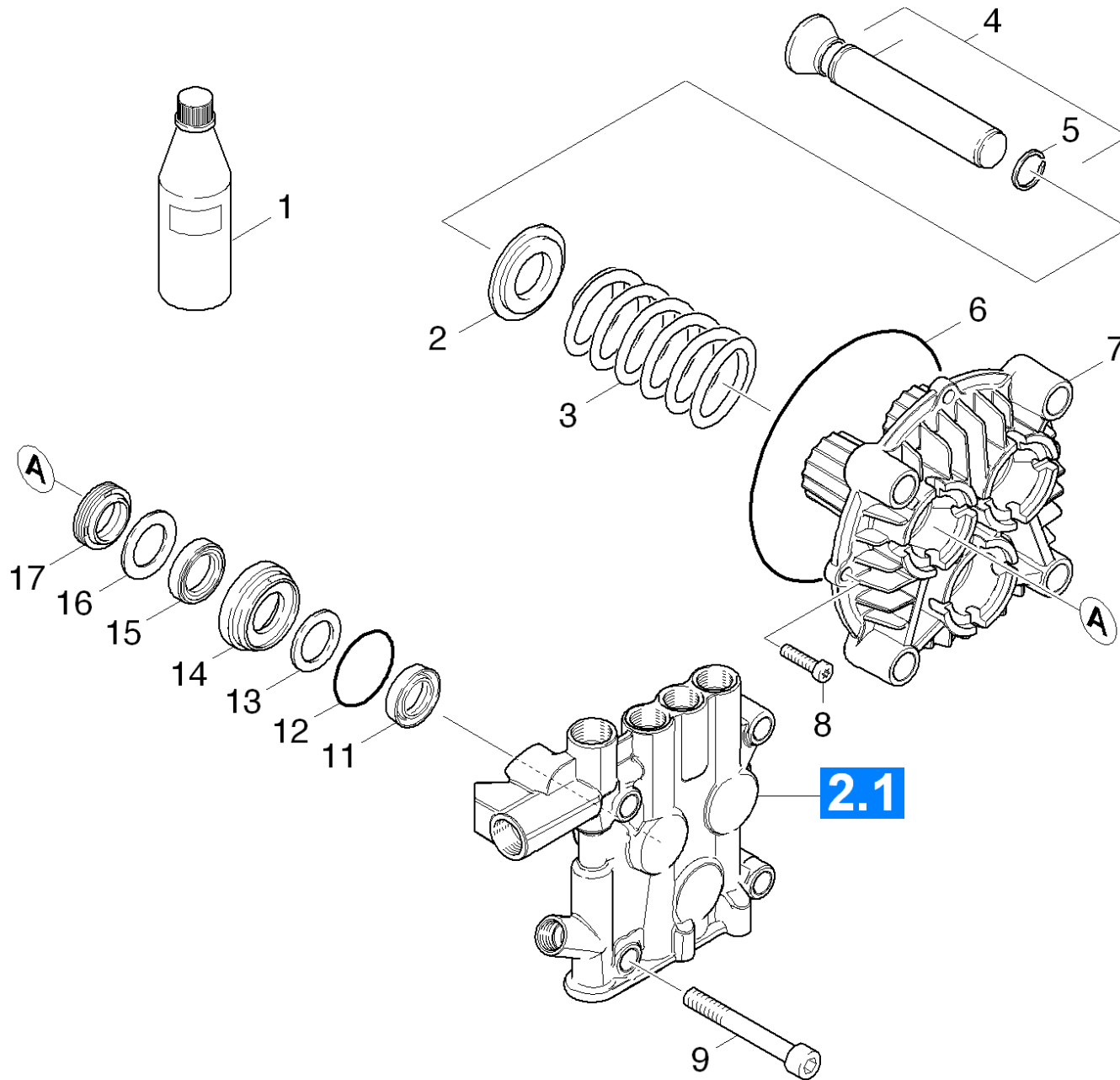
3 Valve complete (4.580-594.0)

POS	Article no.	Description	Quantity	Unit
5	6.362-381.0	O-Ring seal 13x2 - NBR 70	1.000	ST



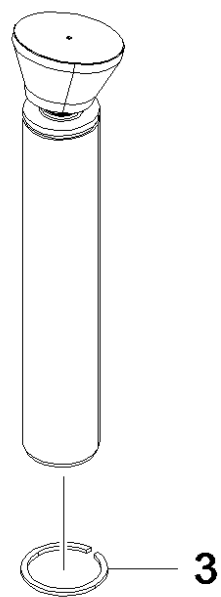
4 Valve complete (4.580-611.0)

POS	Article no.	Description	Quantity	Unit
50	6.363-003.0	O-Ring seal 13,0 X 2,0-NBR 90	1.000	ST



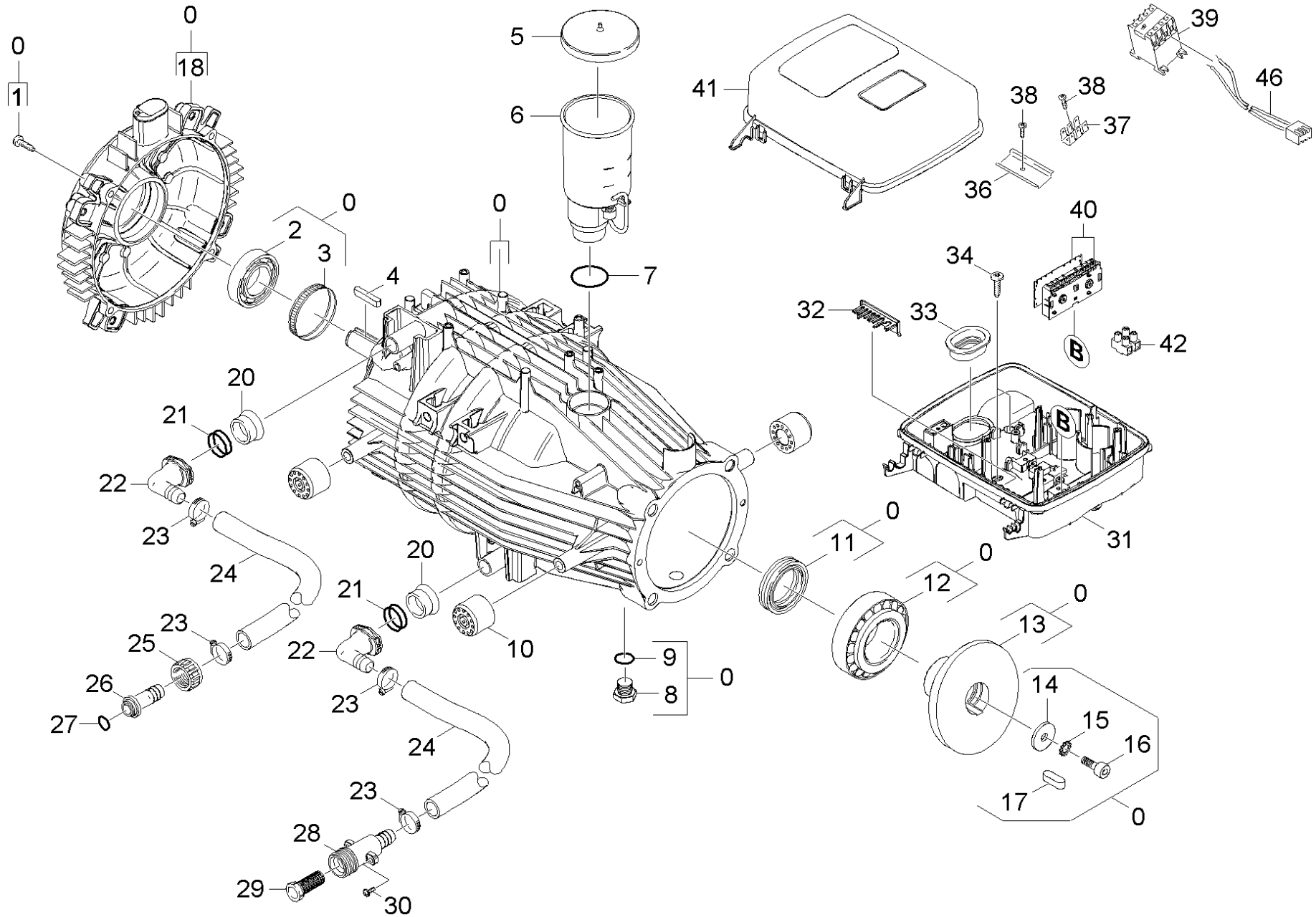
22 Piston

POS	Article no.	Description	Quantity	Unit
1	6.288-016.0	Gear oil 1L	1.000	ST
2	5.116-065.0	Washer D22	3.000	ST
3	5.332-187.0	Helical spring	3.000	ST
4	4.553-280.0	Piston complete only for replacement	3.000	ST
5	6.472-331.0	Snap ring 20	3.000	ST
6	6.363-228.0	O-Ring seal 114 x 3	1.000	ST
7	5.060-954.3	Thrust guidance D22	1.000	ST
8	7.306-105.0	Screw M6x30 -8.8-R3R (In6Rd)	2.000	ST
9	7.306-155.0	Cylinder head screw M12x100 -8.8-A3E IS	4.000	ST
11	6.365-055.0	Grooved ring 22x30x5	3.000	ST
12	6.362-092.0	O-Ring seal 36,0 X 2,0-NBR 70	3.000	ST
13	5.115-521.0	Washer	3.000	ST
14	5.112-414.3	Bush	3.000	ST
15	6.365-056.0	Compact seal 22X32X6	3.000	ST
16	5.115-520.0	Washer	3.000	ST
17	6.365-059.0	Grooved ring 22X30X6/8	3.000	ST



4 Piston complete only for replacement (4.553-280.0)

POS	Article no.	Description	Quantity	Unit
3	6.343-142.0	Snap ring WR 22	1.000	ST

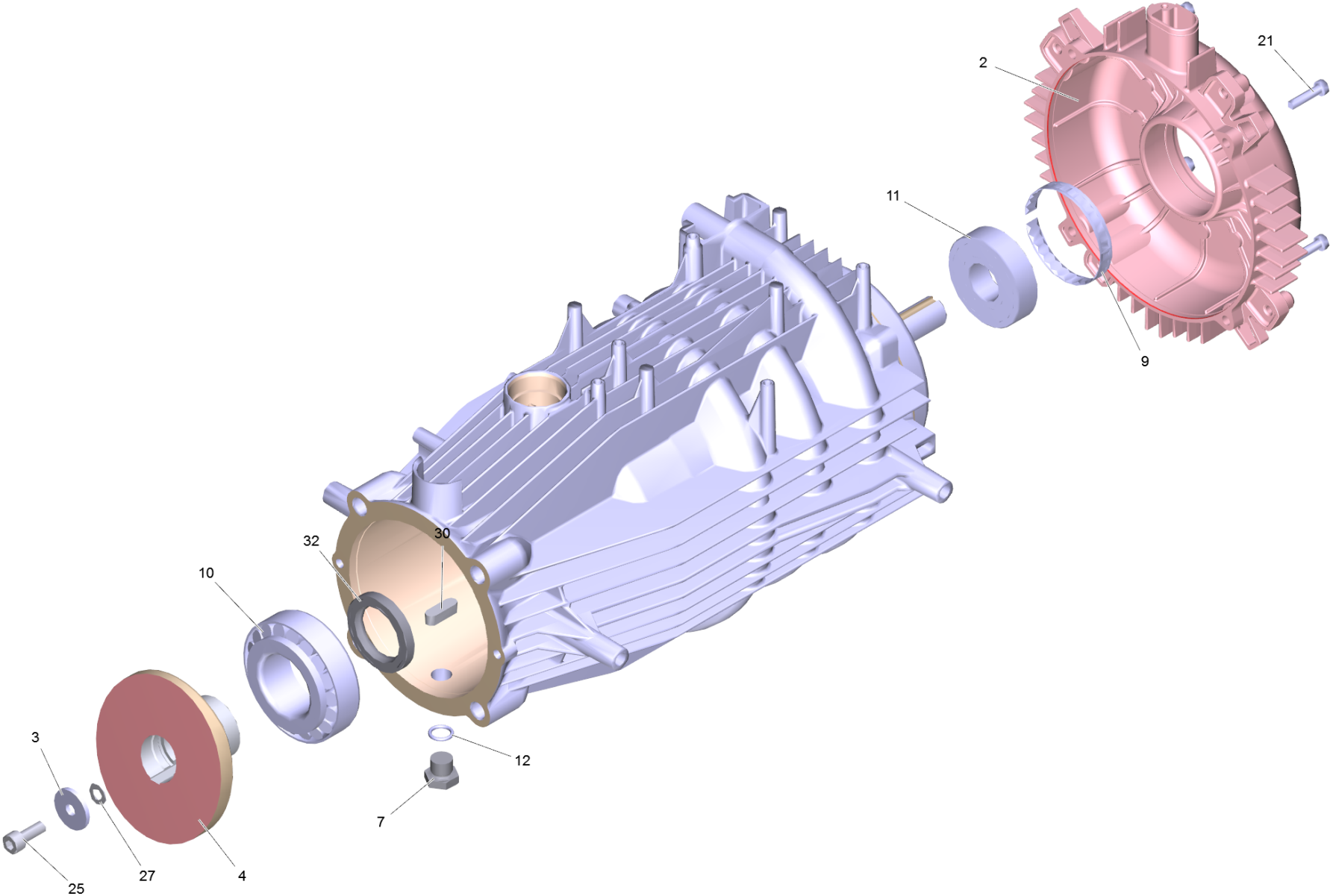


30 Motor

POS	Article no.	Description	Quantity	Unit	Foot note text
0	4.623-921.0	Motor complete only for replacement	1.000	ST	
1	6.303-515.0	Self-tapping screw M6x25	4.000	ST	
2	6.401-253.0	Ball bearing 6305-2Z	1.000	ST	
3	6.343-010.0	Tolerance ring 62x10	1.000	ST	
4	7.318-111.0	Parallel key A 6x6x36 -C45K DIN 6885-1	2.000	ST	
5	5.064-459.0	Cover grey	1.000	ST	
6	4.070-904.0	Tank only for replacement	1.000	ST	
7	6.362-722.0	O-Ring seal 28,0 X 3,0	1.000	ST	
8	5.411-100.0	Screw plug	2.000	ST	
9	6.362-028.0	O-Ring seal 11x2,2 NBR 70	2.000	ST	
10	5.767-005.0	Rubber buffer	4.000	ST	
11	7.367-009.0	Radial shaft seal ring A35x52x7-NBR DIN	1.000	ST	
12	6.401-225.3	Taper roller bearing 41	1.000	ST	
13	5.120-353.3	Wobble plate	1.000	ST	
14	5.115-565.0	Washer	1.000	ST	
15	7.312-159.0	Toothed lock washer A8,4-FST-PH DIN 679	1.000	ST	
16	7.306-041.0	Cylinder head screw M8x20 -8.8-A2E ISO	1.000	ST	
17	7.318-035.0	Parallel key 8x7x25 -C45K DIN 6885-1	1.000	ST	
18	5.064-006.0	Bearing cover B	1.000	ST	
20	5.110-341.0	Sleeve	2.000	ST	
21	6.362-579.0	O-Ring seal 17,5 X 3,5	4.000	ST	
22	5.427-415.0	Manifold	2.000	ST	
23	7.373-022.0	Hose clip A-16-27x9 -W2-2 DIN3017	4.000	ST	
24	6.390-320.0	Hose DN 16	1.000	M	TO ORDER AS CUT GOODS
25	5.310-061.0	Nut R 3/4"	1.000	ST	
26	5.443-224.0	Hose stem	1.000	ZST	
27	6.362-078.0	O-Ring seal 13,3x2,4	1.000	ST	
28	5.427-432.0	Manifold	1.000	ST	
29	6.414-141.0	Strainer	1.000	ST	
30	7.303-086.0	Screw 5x30 -10.9-R2R (K-In6Rd)	2.000	ST	
31	5.061-319.0	Housing electric box	1.000	ST	
32	5.263-091.0	Tensioning part	1.000	ST	
33	5.365-181.0	Profile gasket	1.000	ST	

30 Motor

POS	Article no.	Description	Quantity	Unit	Foot note text
34	6.303-153.0	Screw M5x15-ST-R2R (IN6RD)	3.000	ST	
36	5.802-261.0	Mounting part	1.000	ST	
37	6.641-270.0	Plug	1.000	ST	
38	7.303-106.0	Screw 4x12 -10.9-R2R (IN6RD)	2.000	ST	
39	6.632-334.0	Power contactor LC1 D32 B7	1.000	ST	
40	2.885-054.0	Frame circuit board complete	1.000	ST	
41	5.064-226.0	Cover electric box	1.000	ST	
42	6.643-151.0	Strip terminal one-pole 16mm ²	1.000	ZST	
46	6.649-384.0	Cable 2x0,35 350mm	1.000	ST	

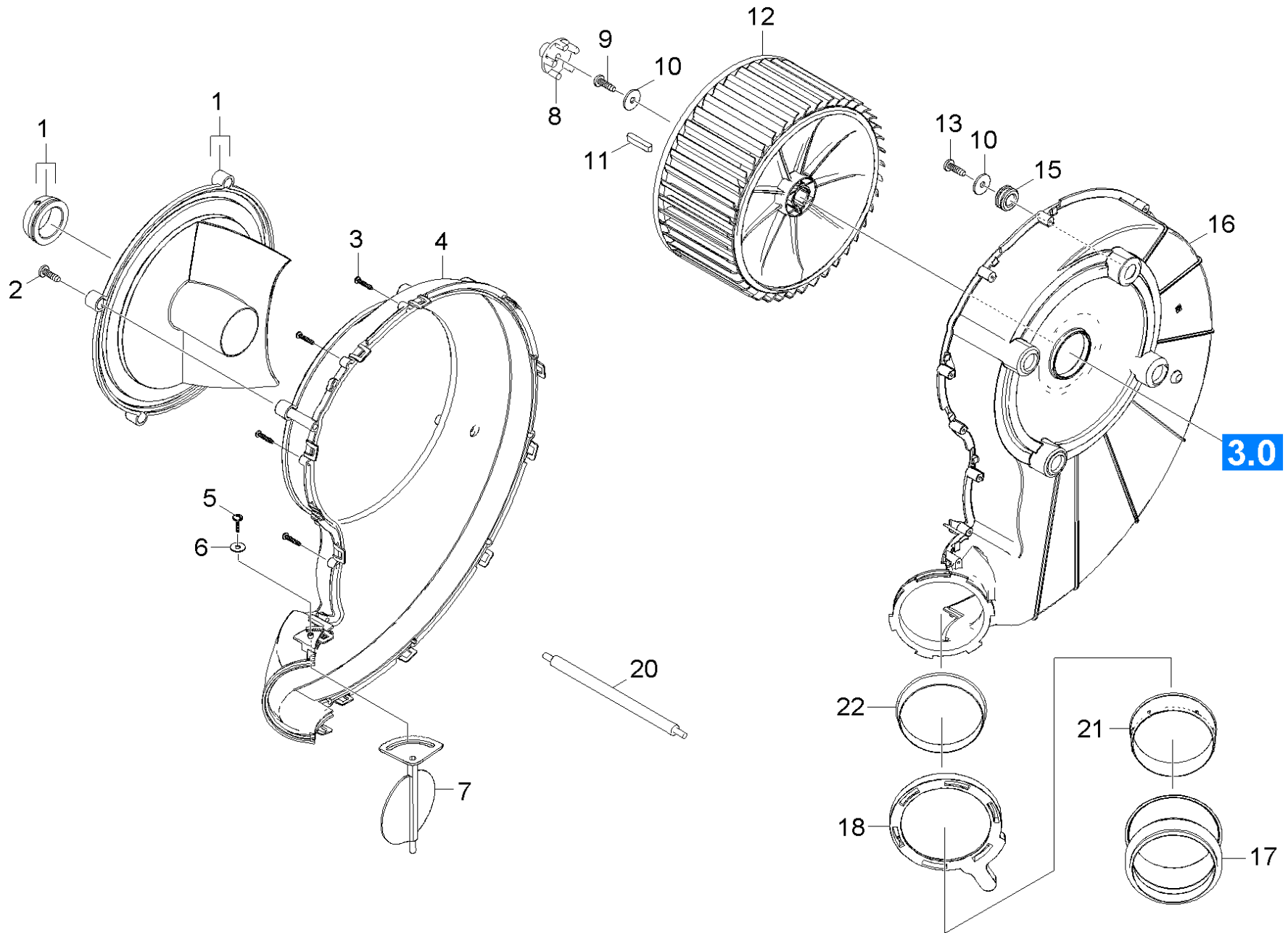


Motor complete only for replacement (4.623-921.0)

POS	Article no.	Description	Quantity	Unit
2	5.064-006.0	Bearing cover B	1.000	ST
3	5.115-565.0	Washer	1.000	ST
4	5.120-353.3	Wobble plate	1.000	ST
6		Piece of tube	2.000	ST
7	5.411-100.0	Screw plug	1.000	ST
9	6.343-010.0	Tolerance ring 62x10	1.000	ST
10	6.401-225.3	Taper roller bearing 41	1.000	ST
11	6.401-253.0	Ball bearing 6305-2Z	1.000	ST
12	6.362-028.0	O-Ring seal 11x2,2 NBR 70	1.000	ST
21	6.303-515.0	Self-tapping screw M6x25	4.000	ST
25	7.306-041.0	Cylinder head screw M8x20 -8.8-A2E ISO	1.000	ST
27	7.312-159.0	Toothed lock washer A8,4-FST-PH DIN 679	1.000	ST
30	7.318-035.0	Parallel key 8x7x25 -C45K DIN 6885-1	1.000	ST
32	7.367-009.0	Radial shaft seal ring A35x52x7-NBR DIN	1.000	ST

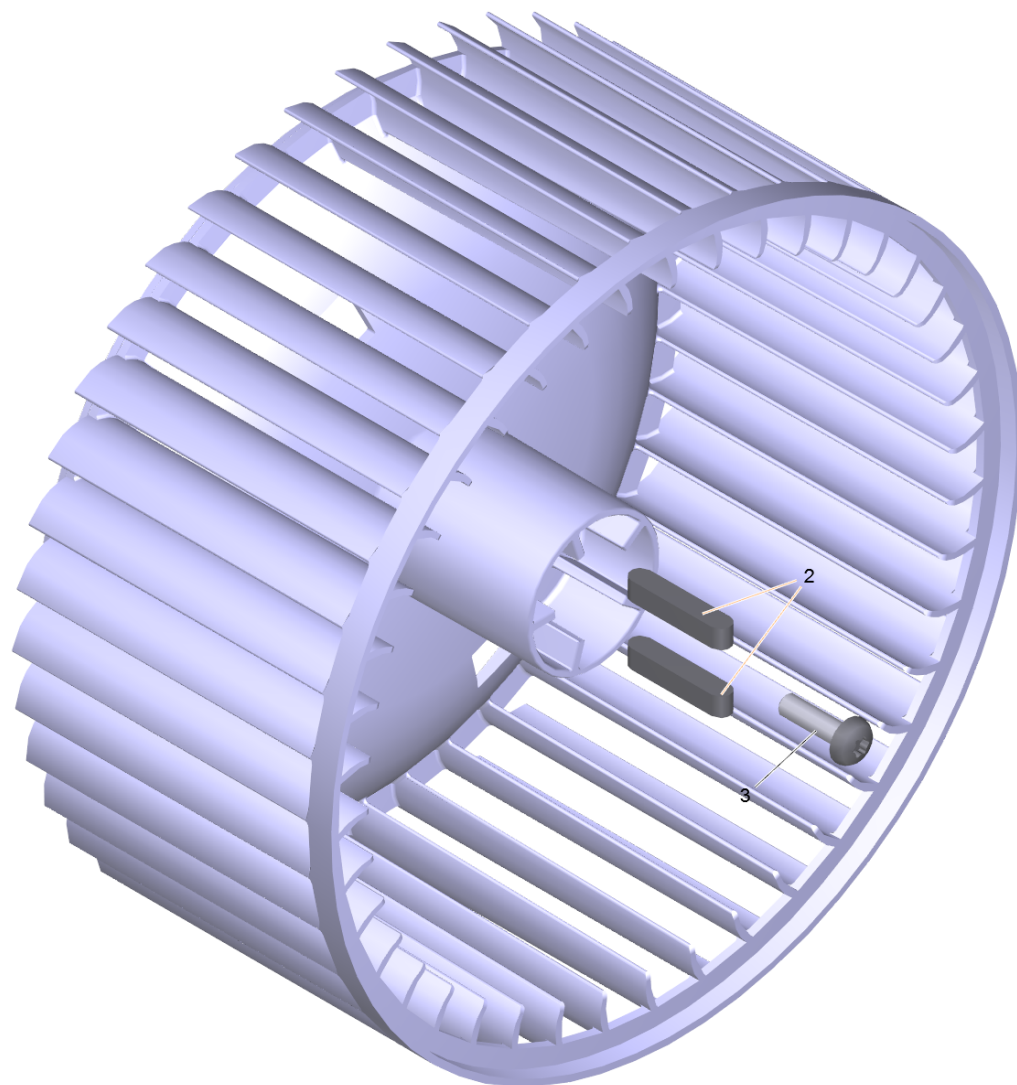
6 Piece of tube

POS	Article no.	Description	Quantity	Unit
1	6.642-043.0	Insulating hose 10	0.090	M
1	6.642-043.0	Insulating hose 10	0.090	M



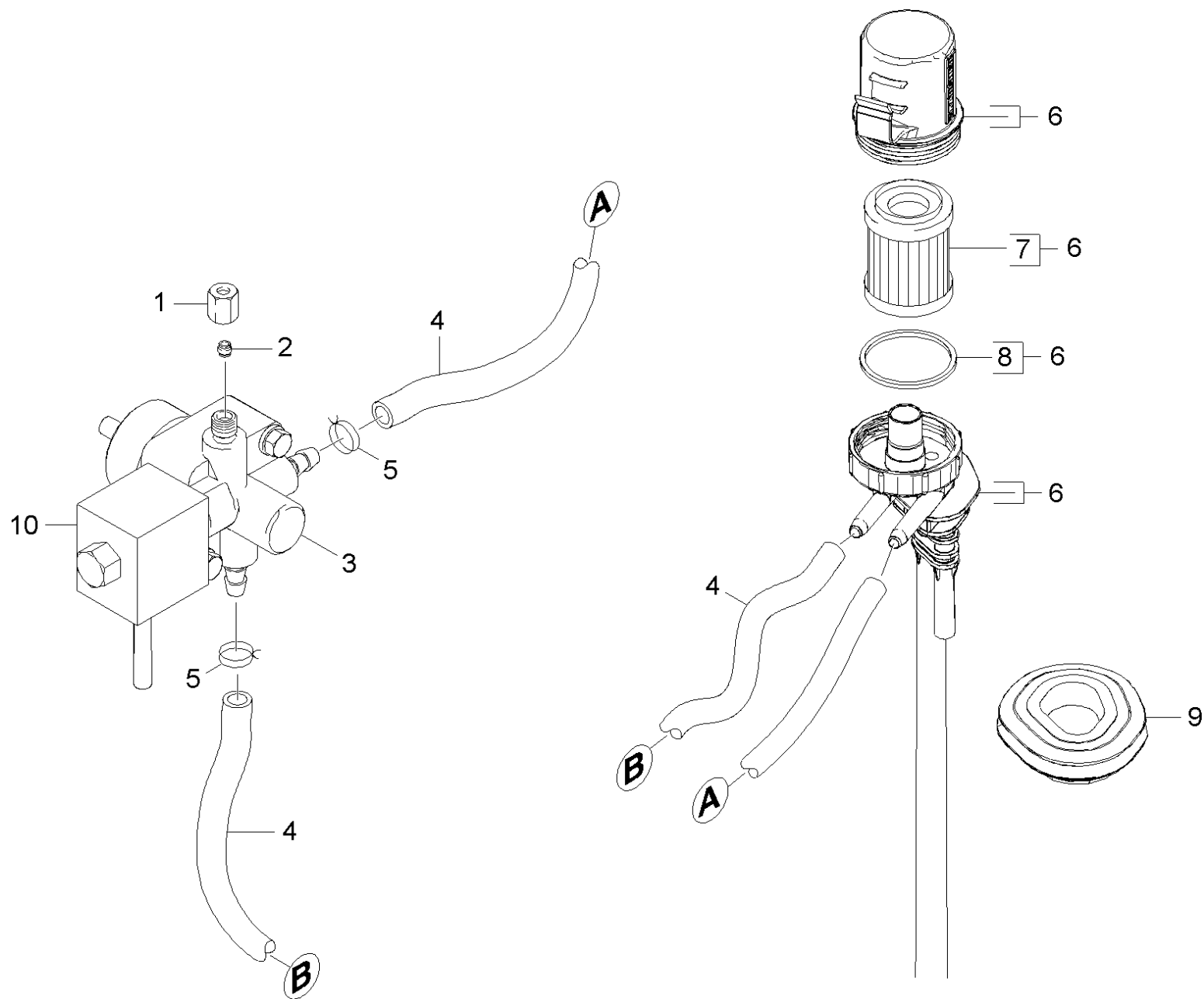
40 Blower

POS	Article no.	Description	Quantity	Unit
1	5.064-266.0	Cover blower internal part	1.000	ST
2	7.303-129.0	Screw 4x16 -10.9-R2R (K-In6Rd)	4.000	ST
3	7.303-084.0	Screw 4x25 -10.9-R2R (K-In6Rd)	14.000	ST
4	5.064-238.0	Cover blower	1.000	ST
5	7.303-107.0	Screw 5x16 -10.9-P2R (K-In6Rd)	1.000	ST
6	7.312-278.0	Washer 5-200HV-A2E ISO7093-1	1.000	ST
7	5.606-009.0	Air flap	1.000	ST
8	5.471-097.0	Coupler fuel pump	1.000	ST
9	6.304-145.0	Screw M 6X20-R3R (IN6RD)	1.000	ST
10	7.312-260.0	Washer 6 -100HV-A3E ISO 7094	5.000	ST
11	7.318-032.0	Parallel key 6x6x32-C45K DIN 6885	2.000	ST
12	2.641-430.0	Conversion kit blower wheel	1.000	ST
13	7.303-048.0	Screw M6x20 -St-R3R (In6Rd)	4.000	ST
15	5.379-019.0	Rubber ring	4.000	ST
16	5.605-307.0	Housing	1.000	ST
17	5.195-251.0	Seal air circulation	1.000	ST
18	5.075-036.0	Closure	1.000	ST
20	5.043-056.0	Holder	1.000	ST
21	5.263-094.0	Tensioning part air circulation	1.000	ST
22	5.263-096.0	Tensioning part air circulation	1.000	ST



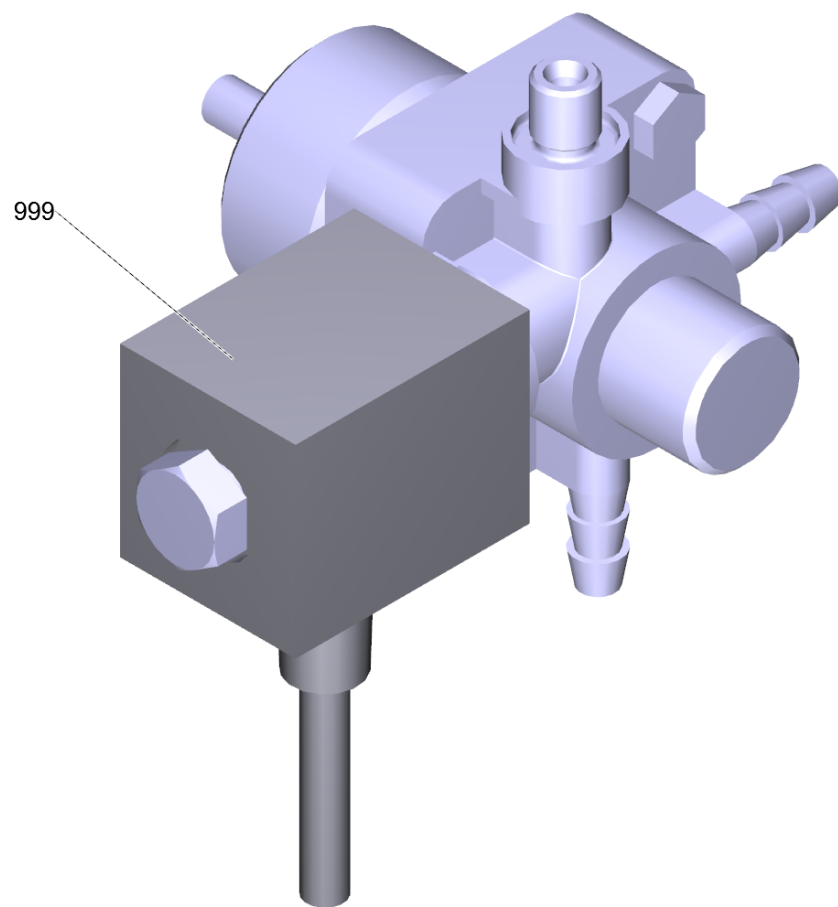
12 Conversion kit blower wheel (2.641-430.0)

POS	Article no.	Description	Quantity	Unit
2	7.318-111.0	Parallel key A 6x6x36 -C45K DIN 6885-1	2.000	ST
3	6.304-145.0	Screw M 6X20-R3R (IN6RD)	1.000	ST



50 Fuel pump and filter

POS	Article no.	Description	Quantity	Unit	Foot note text
1	6.389-262.0	Union nut A 4-LL	1.000	ST	
2	6.389-263.0	Cutting ring d.4	1.000	ST	
3	4.473-032.0	Fuel pump only for replacement	1.000	ST	
4	6.391-820.0	Hose	1.000	M	TO ORDER AS CUT GOODS
5	6.388-559.0	Hose clip	2.000	ST	
6	4.730-167.3	Filter complete	1.000	ST	
7	6.414-559.0	Filter fuel	1.000	ST	
8	5.363-629.0	Seal	1.000	ST	
9	5.365-290.0	Rubber bushing fuel	1.000	ST	
10	6.473-554.0	Coil Brennstoffpumpe	1.000	ST	

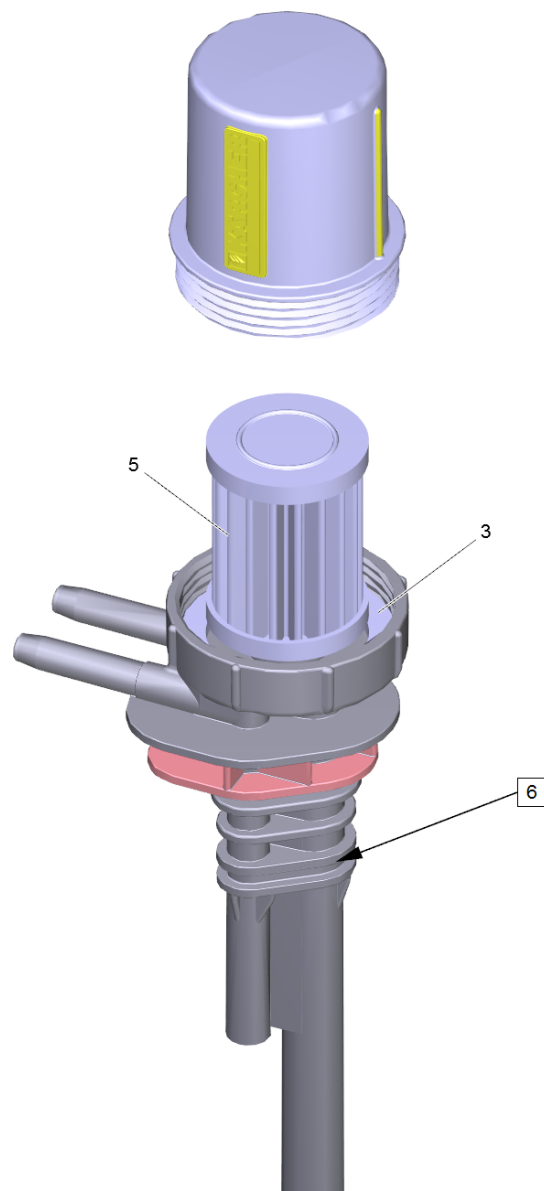


3 Fuel pump only for replacement (4.473-032.0)

POS	Article no.	Description	Quantity	Unit
999	6.473-554.0	Coil Brennstoffpumpe	1.000	ST

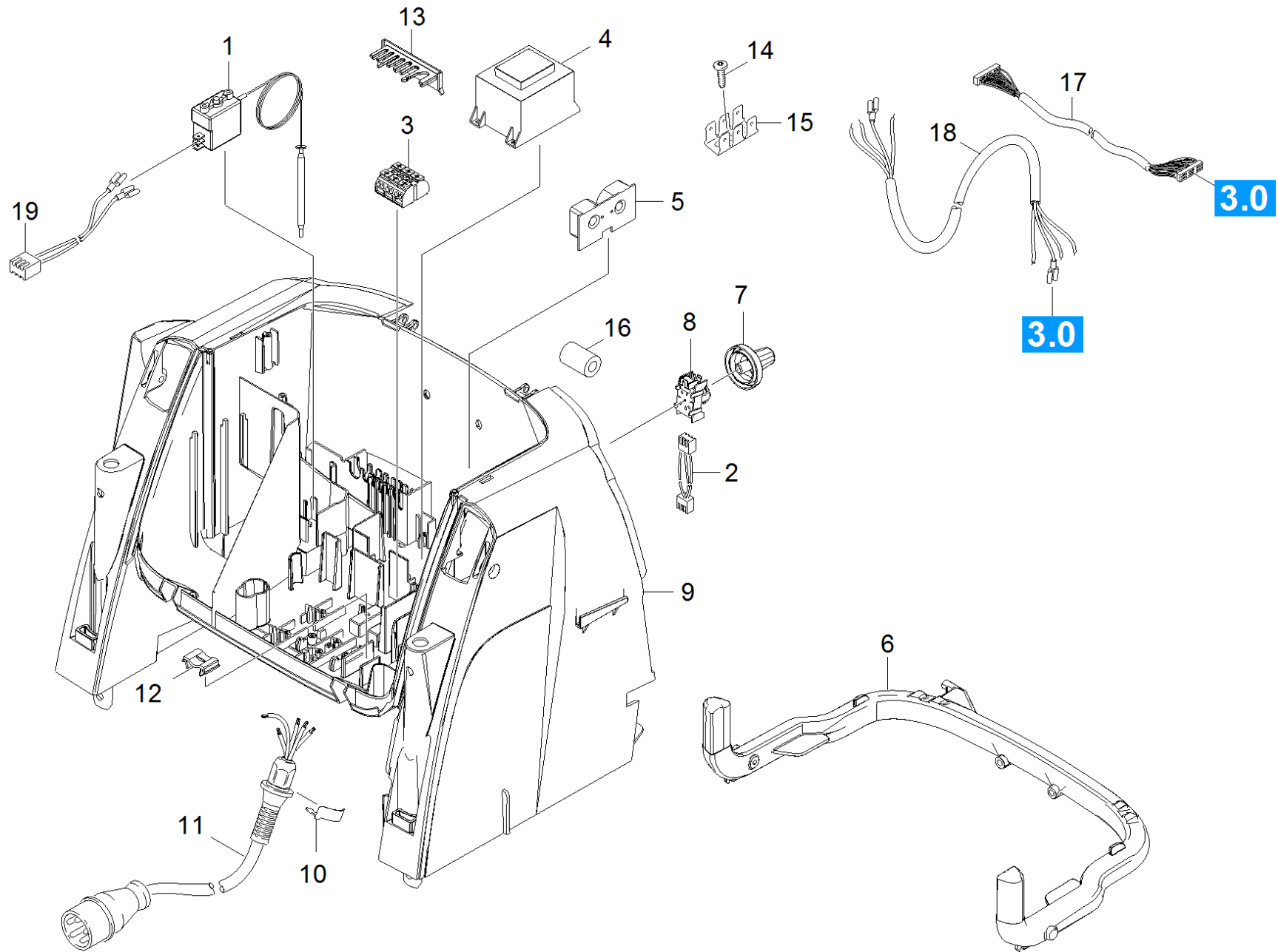
6 Filter complete (4.730-167.3)

POS	Article no.	Description	Quantity	Unit
1	4.730-167.0	Filter complete	1.000	ST



1 Filter complete (4.730-167.0)

POS	Article no.	Description	Quantity	Unit
3	5.363-629.0	Seal	1.000	ST
5	6.414-559.0	Filter fuel	1.000	ST
6	6.362-079.0	O-Ring seal 18,0 X 2,5	1.000	ST

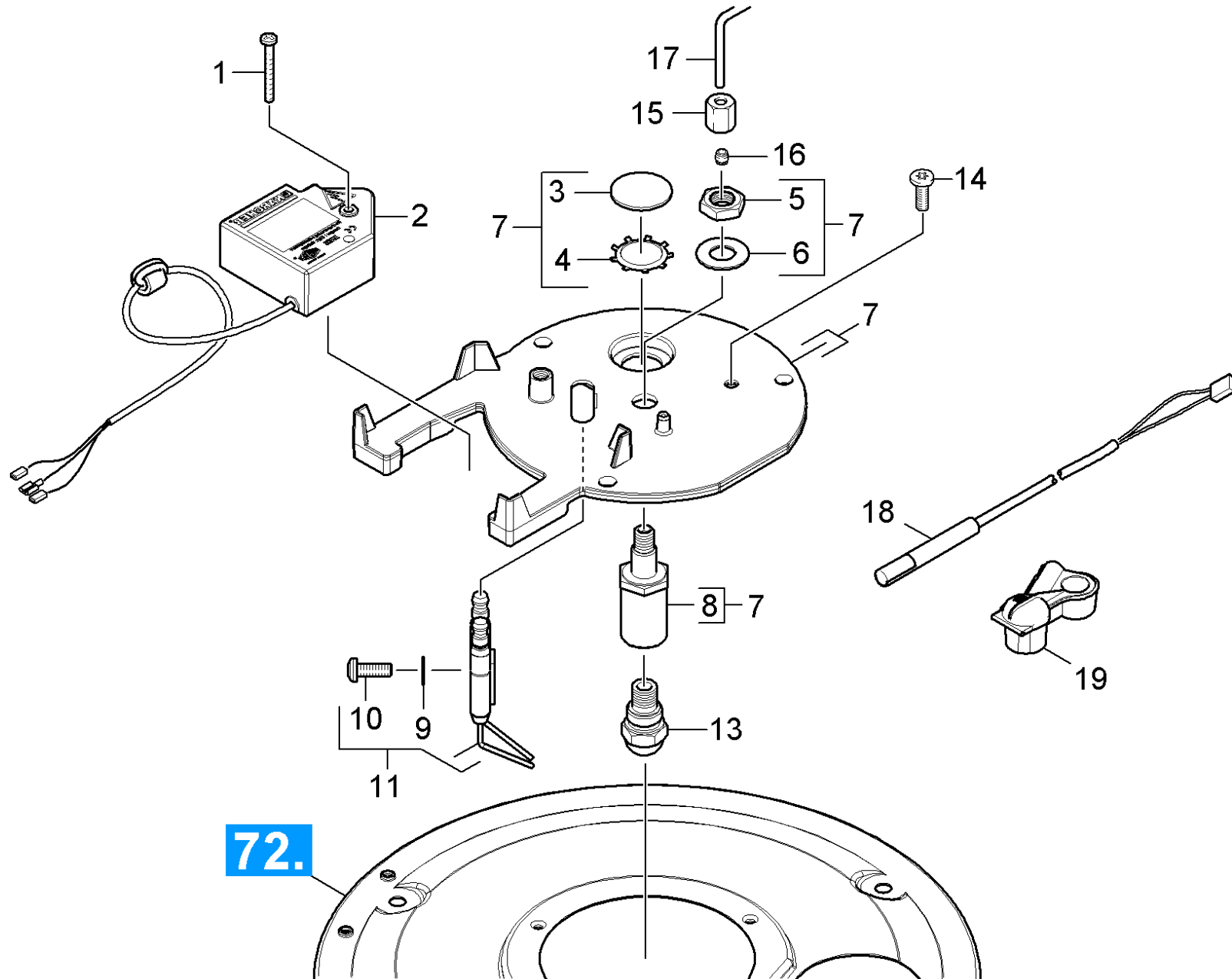


60 Electric control box

POS	Article no.	Description	Quantity	Unit
1	4.686-029.0	Thermostat only for replacement	1.000	ST
2	5.820-088.0	Cable	1.000	ST
3	6.644-364.0	Terminal clamp four-core triple-pole	1.000	ST
4	6.622-283.3	Control transformer	1.000	ST
5	6.682-881.0	Circuit board current transformer	1.000	ST
6	5.033-111.0	Profile	1.000	ST
7	5.324-172.0	Handle qusty grey RAL 7037	1.000	ST
8	6.630-423.0	Switch service	1.000	ST
9	5.801-153.0	Mounting plate	1.000	ST
10	6.343-186.0	Locking ring	1.000	ST
11	6.649-380.0	Cable with plug 4x2,5mm ²	1.000	ST
12	5.802-307.0	Holder cable	1.000	ST
13	5.263-091.0	Tensioning part	1.000	ST
14	7.303-106.0	Screw 4x12 -10.9-R2R (IN6RD)	1.000	ST
15	6.641-270.0	Plug	1.000	ST
16	6.614-007.0	Ferrite ring	1.000	ST
17	2.885-110.0	Control cable complete only for replacem	1.000	ST
18	6.649-340.0	Cable 4x1,5	1.000	ST
19	6.649-383.0	Cable 2x0,35 700mm	1.000	ST

70 Flow heater

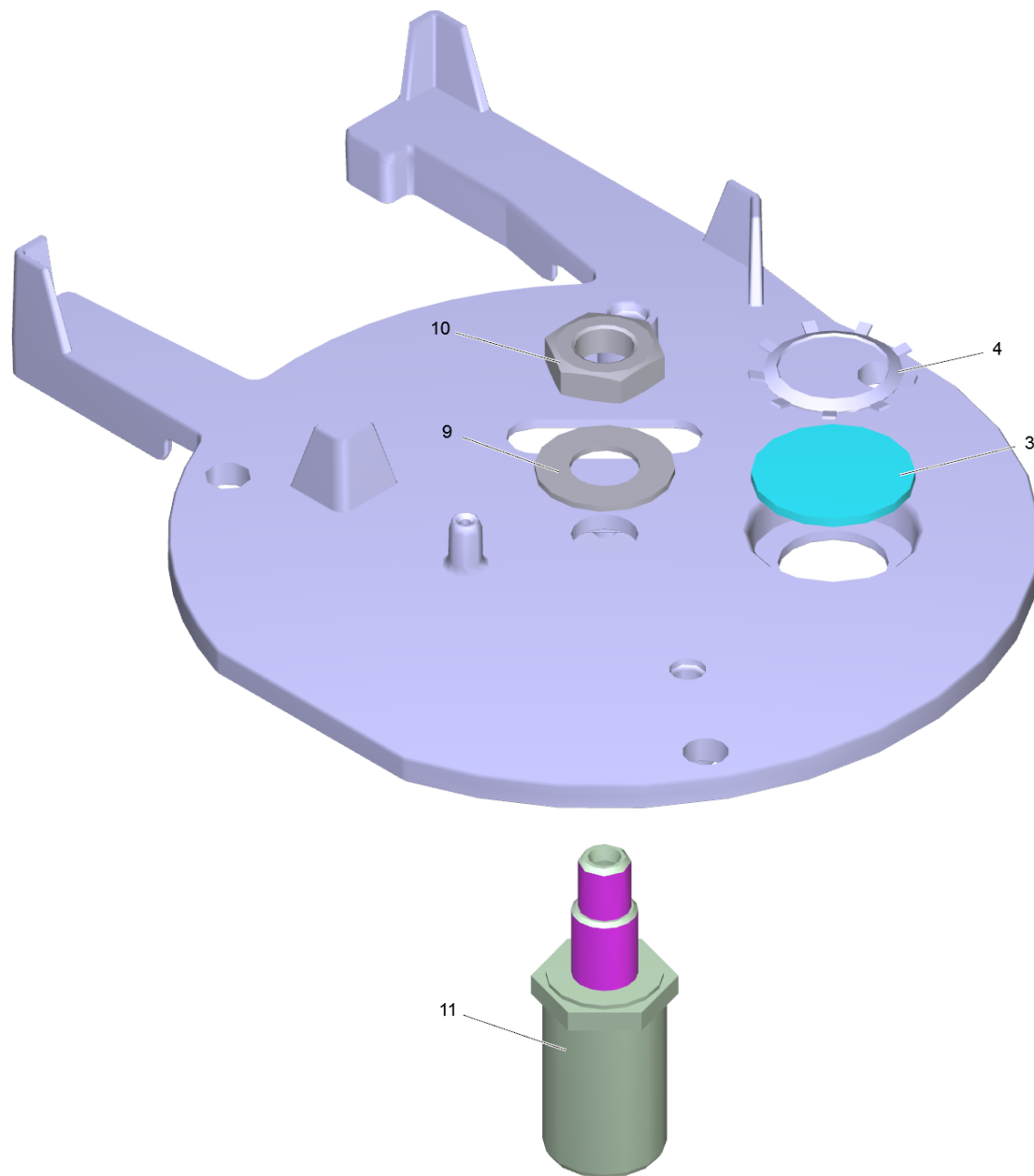
POS	Description	Quantity	Unit
71	Burner cover	1.000	ST
72	Heating coil	1.000	ST
73	Burner bottom	1.000	ST



72.

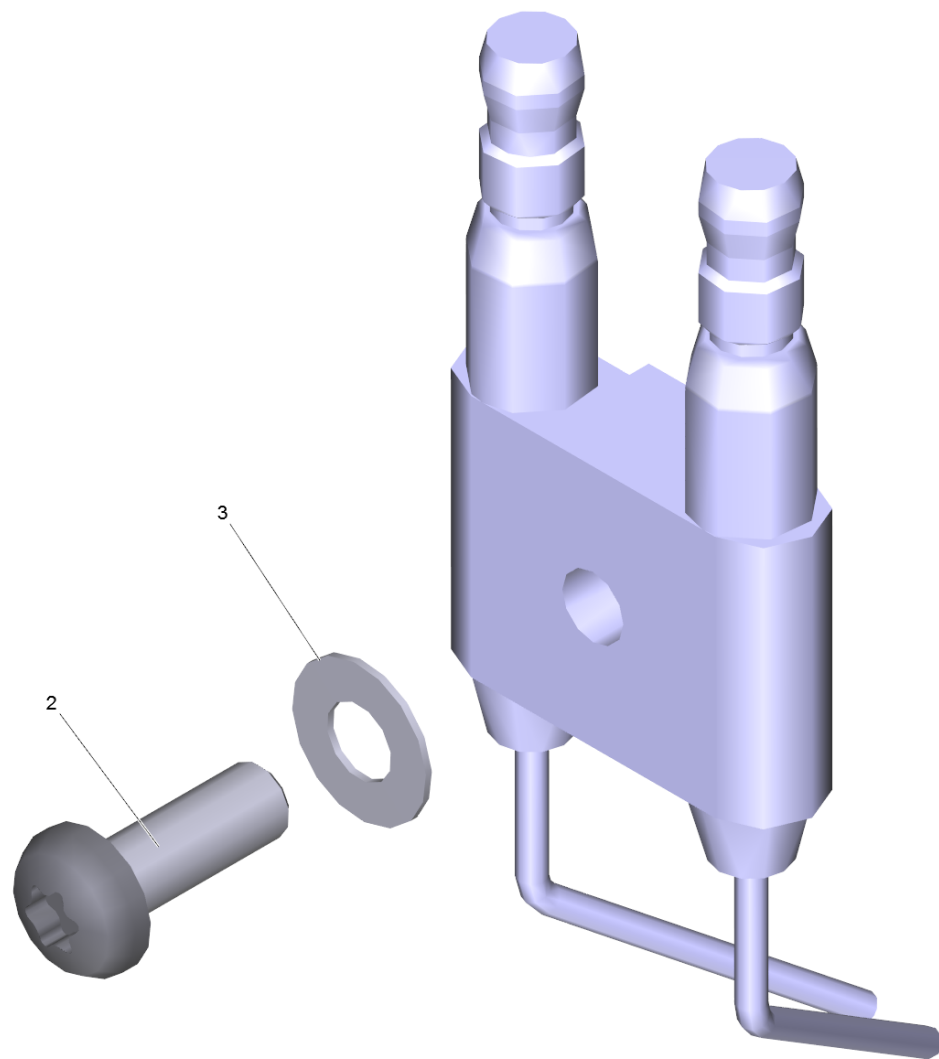
71 Burner cover

POS	Article no.	Description	Quantity	Unit
1	7.303-240.0	Screw M5x40-ST-A2E (IN6RD)	1.000	ST
2	4.622-038.0	Ignition transformer only for replacemen	1.000	ST
3	6.278-018.0	Glass pane	1.000	ST
4	6.343-165.0	Serrated ring	1.000	ST
5	7.311-101.0	Hexagon nut M10x1 -04-A2E ISO 8675	1.000	ST
6	7.312-302.0	Spring washer B10-FST-A2E DIN 137	1.000	ST
7	4.654-288.0	Cover pressure boiler only for replaceme	1.000	ST
8	5.667-055.0	Nozzle holder	1.000	ST
9	7.312-304.0	Spring washer B 5-FST-A2E DIN 137	1.000	ST
10	7.306-217.0	Screw M5x14 -8.8-R2R (In6Rd)	1.000	ST
11	2.638-974.0	Conversion kit ignition electrode	1.000	ST
13	6.415-564.0	Burner nozzle	1.000	ST
14	7.303-038.0	Screw M5x12 -St-P2R (In6Rd)	3.000	ST
15	6.389-262.0	Union nut A 4-LL	1.000	ST
16	6.389-263.0	Cutting ring d.4	1.000	ST
17	5.423-347.0	Conduit fuel	1.000	ST
18	6.664-055.0	Probe	1.000	ST
19	5.034-982.0	Holder photocell	1.000	ST



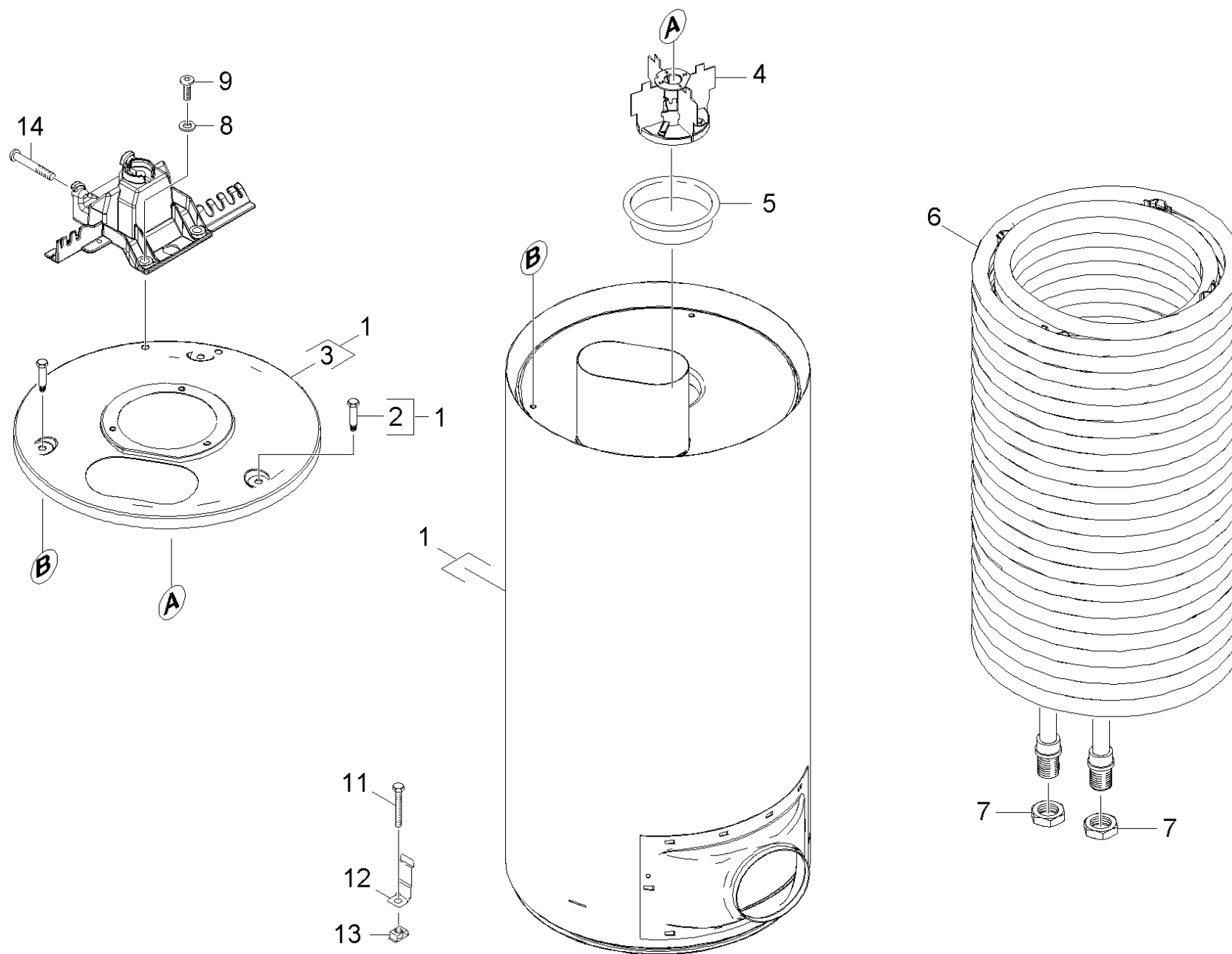
7 Cover pressure boiler only for replaceme (4.654-288.0)

POS	Article no.	Description	Quantity	Unit
3	6.278-018.0	Glass pane	1.000	ST
4	6.343-165.0	Serrated ring	1.000	ST
9	7.312-302.0	Spring washer B10-FST-A2E DIN 137	1.000	ST
10	7.311-101.0	Hexagon nut M10x1 -04-A2E ISO 8675	1.000	ST
11	5.667-055.0	Nozzle holder	1.000	ST



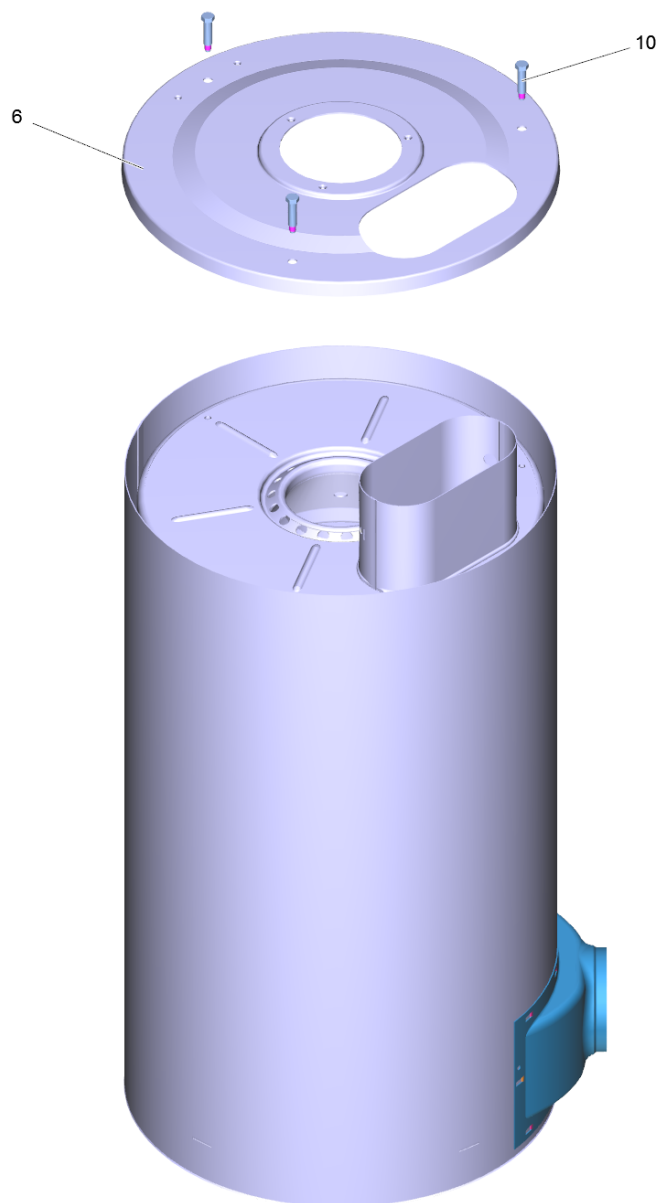
11 Conversion kit ignition electrode (2.638-974.0)

POS	Article no.	Description	Quantity	Unit
2	7.306-217.0	Screw M5x14 -8.8-R2R (In6Rd)	1.000	ST
3	7.312-304.0	Spring washer B 5-FST-A2E DIN 137	1.000	ST



72 Heating coil

POS	Article no.	Description	Quantity	Unit	Foot note text
1	4.652-143.0	Vessel mantel complete	1.000	ST	
2	6.303-258.0	Self-tapping screw	3.000	ST	
3	5.654-079.0	Cover pressure boiler external	1.000	ST	
4	4.663-088.0	Baffle plate complete	1.000	ST	
5	5.664-256.0	Flame tube	1.000	ST	
6	4.680-149.0	Heating coil VA	1.000	ST	STAINLESS STEEL CONSTRUCTION
6	4.680-144.0	Heating coil	1.000	ST	
7	7.311-112.0	Hexagon nut M22X1,5 -22H-A2E DIN 936	2.000	ST	
8	7.312-278.0	Washer 5-200HV-A2E ISO7093-1	2.000	ST	
9	6.303-320.0	Screw M 5x 20-St-R2R	2.000	ST	
11	7.304-051.0	Hexagonal head screw M 8x16-8.8-P2R EN	4.000	ST	
12	5.044-420.0	Holder	4.000	ST	
13	6.310-081.0	Cage nut M 8	4.000	ST	
14	7.303-111.0	Screw 5x50 -10.9-R2R (K-In6Rd)	2.000	ST	

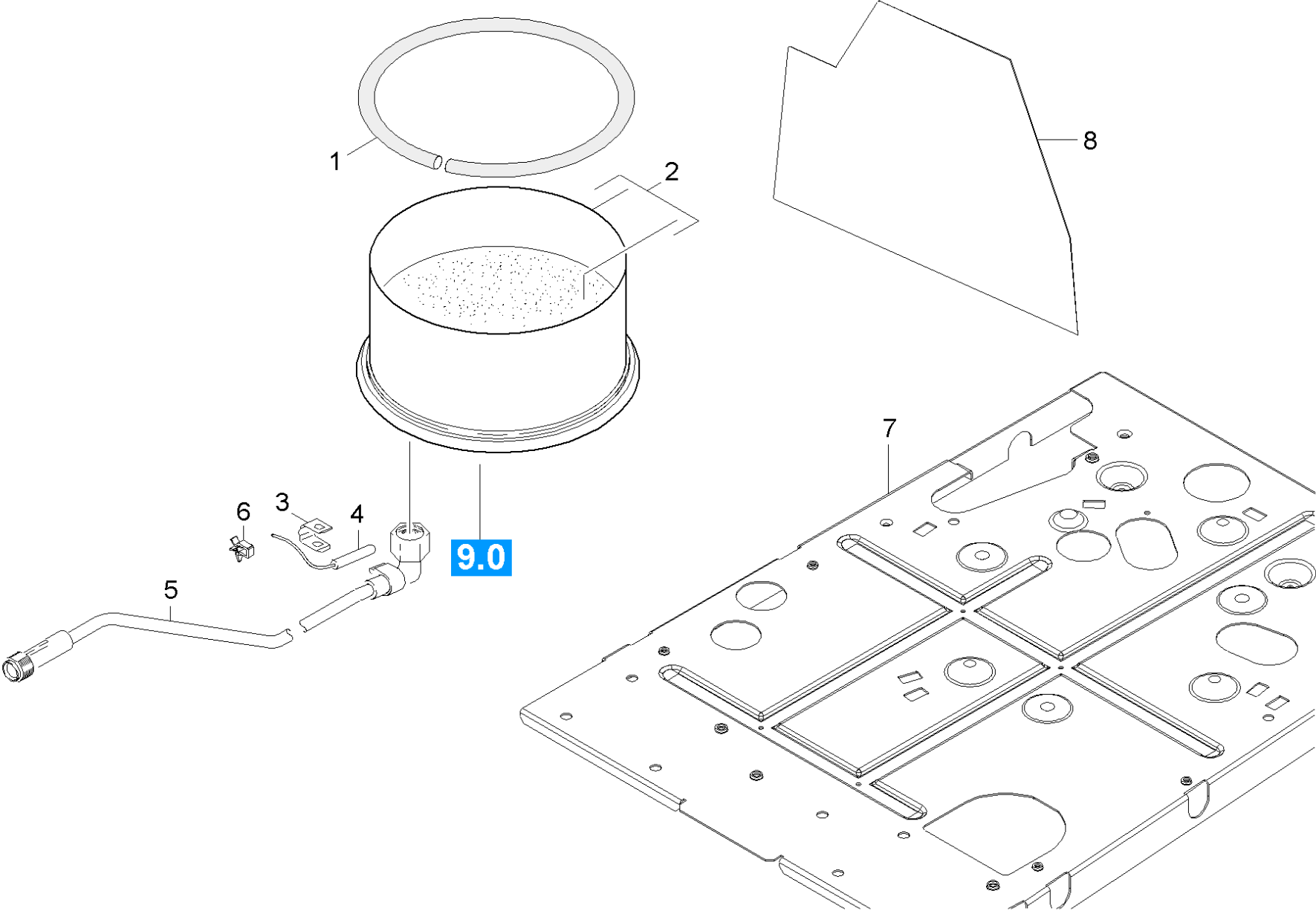


1 Vessel mantel complete (4.652-143.0)

POS	Article no.	Description	Quantity	Unit
6	5.654-079.0	Cover pressure boiler external	1.000	ST
10	6.303-258.0	Self-tapping screw	3.000	ST

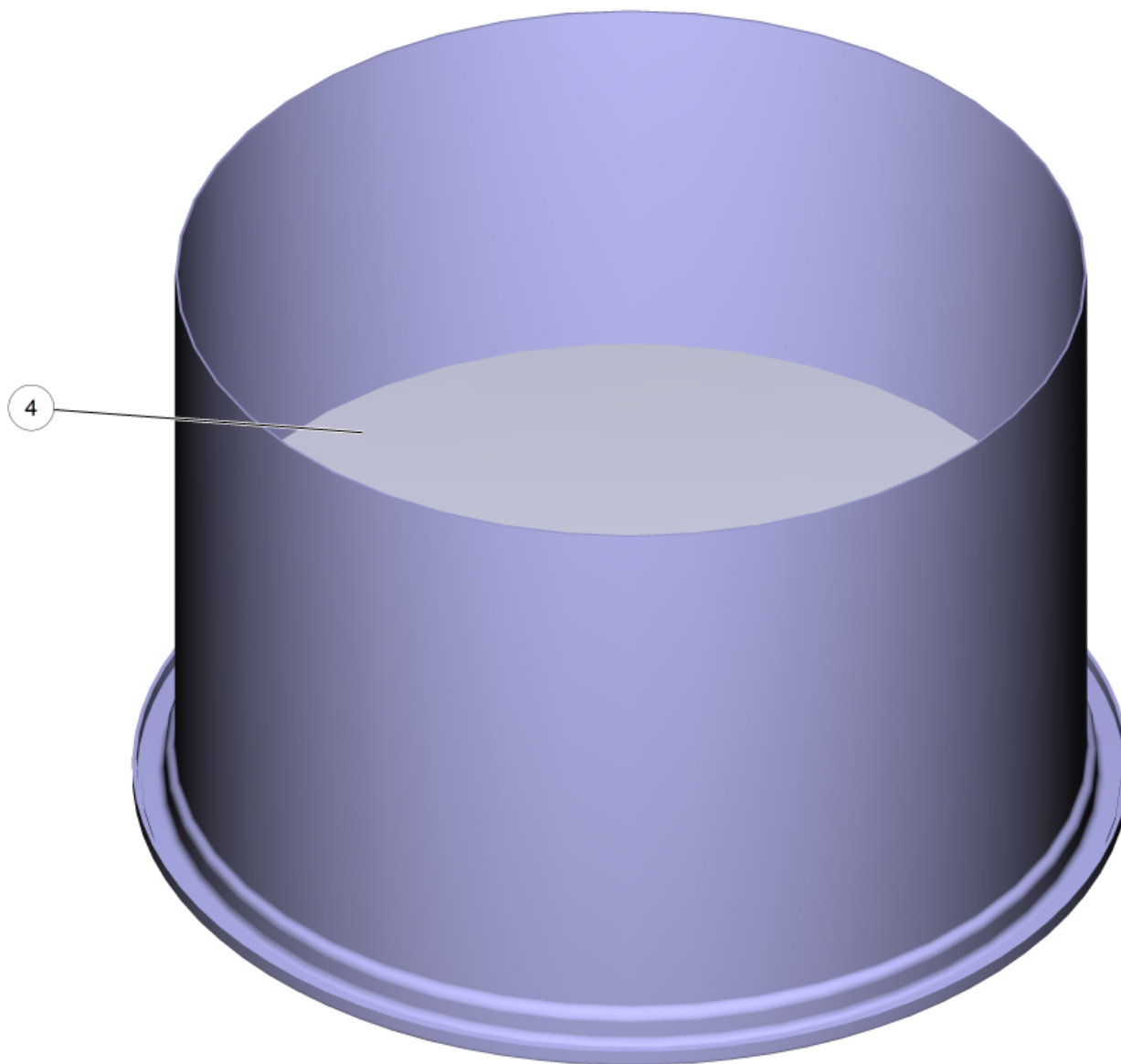
6 Heating coil (4.680-144.0)

POS	Article no.	Description	Quantity	Unit
999	5.363-360.0	Seal	2.000	ST



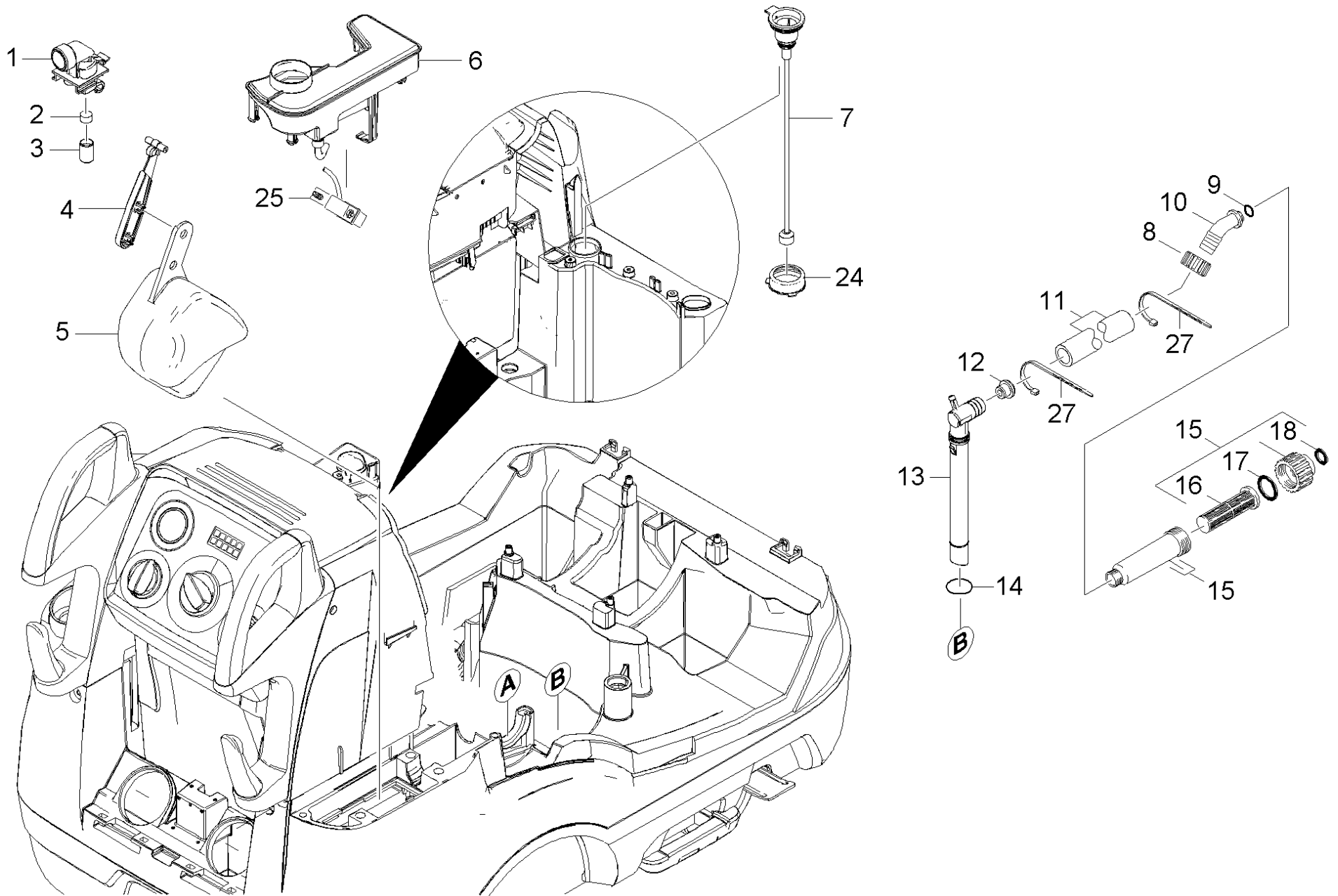
73 Burner bottom

POS	Article no.	Description	Quantity	Unit
1	6.366-039.0	Seal string	1.000	ZST
2	4.655-048.0	Bottom pressure boiler	1.000	ST
3	5.263-064.0	Tensioning part	1.000	ST
4	4.686-031.0	Thermostat only for replacement	1.000	ST
5	4.427-320.0	Manifold complete	1.000	ST
6	6.970-929.0	Clip	1.000	ST
7	5.051-114.0	Base plate boiler	1.000	ST
8	5.424-142.0	Foil shield	1.000	ST



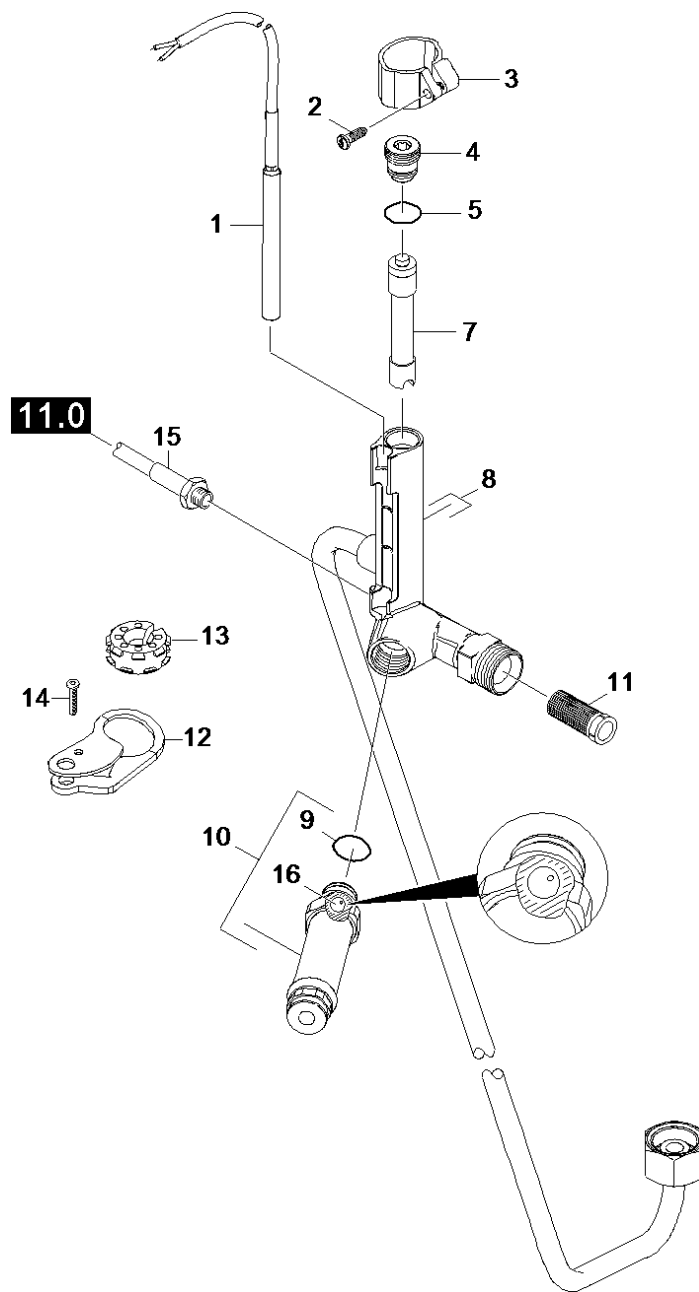
2 Bottom pressure boiler (4.655-048.0)

POS	Article no.	Description	Quantity	Unit
4	2.889-061.0	Refractory material 8kg	1.000	ST



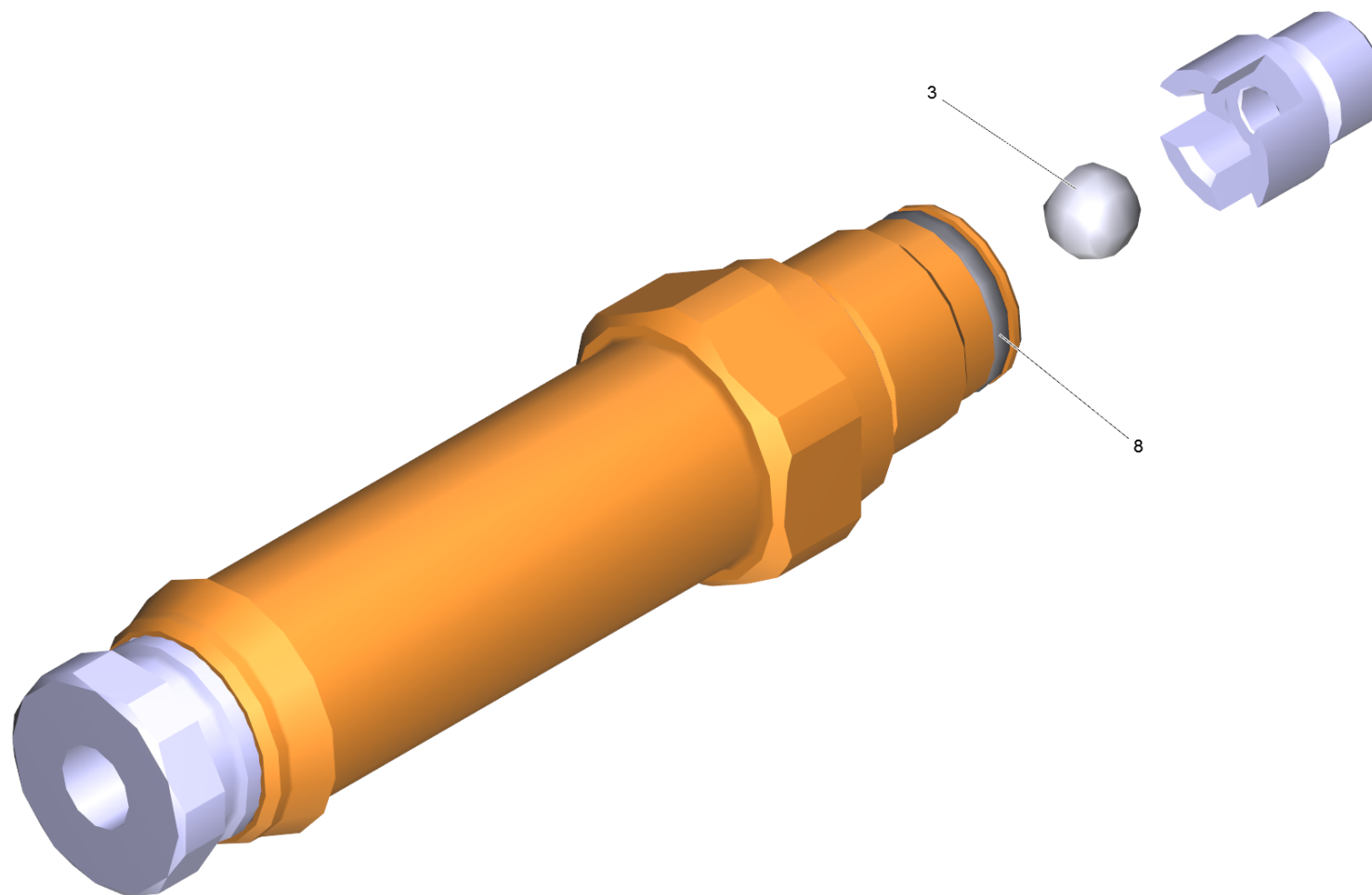
80 Float valve

POS	Article no.	Description	Quantity	Unit
1	5.587-214.0	Valve housing	1.000	ST
2	5.364-095.0	Flat gasket	1.000	ST
3	5.584-085.0	Valve pin	1.000	ST
4	5.481-256.0	Lever	1.000	ST
5	5.585-030.0	Float	1.000	ST
6	4.070-658.3	Tank complete	1.000	ST
7	4.747-097.0	Level probe -nur für Ersatz-	1.000	ST
	Item text1: 1.071-620.0/-621.0/-623.0/-650.0/-652.0			
7	4.747-092.0	Level probe	1.000	ST
	Item text1: 1.071-800.0			
8	5.310-167.0	Nut G 3/4"	1.000	ST
9	6.362-078.0	O-Ring seal 13,3x2,4	1.000	ST
10	5.443-365.0	HOSE STEM (HDS555C)	1.000	ST
11	6.392-258.0	Piece of tube 19x4x280	1.000	ST
12	5.112-411.0	Bush	1.000	ST
13	5.443-553.0	Connection piece	1.000	ST
14	6.362-161.0	O-Ring seal 19,3 X 2,4	1.000	ST
15	4.730-168.3	Water filter complete	1.000	ST
16	5.731-587.0	Water filter	1.000	ST
17	5.363-336.0	Seal	1.000	ST
18	5.363-545.0	Seal	1.000	ST
24	5.365-289.0	Rubber bushing transmitter feeder	1.000	ST
25	4.686-030.0	Solenoid valve only for replacement	1.000	ST
27	6.641-474.0	Cable tape 8-210	2.000	ST



90 Safety system

POS	Article no.	Description	Quantity	Unit
1	2.885-051.0	Reed switch replacement	1.000	ST
2	6.303-122.0	M4 .2X13 DIN 7981 TORX T15 PAN HD HI/LO	1.000	ST
3	5.041-076.0	Clamp	1.000	ST
4	5.305-162.0	Shaped screw	1.000	ST
5	6.362-482.0	O-Ring seal 10 x 1,5-NBR 70	1.000	ST
7	4.551-058.0	Cartridge protection against water short	1.000	ST
8	4.427-039.0	Manifold complete screw plug	1.000	ST
9	6.362-845.0	O-Ring seal 10,82x 1,78	1.000	ST
10	4.580-709.0	Safety valve complete replacement	1.000	ST
11	6.414-566.0	Strainer WMS	1.000	ST
12	5.378-150.0	Holder pipe	1.000	ST
13	5.767-023.0	Rubber buffer	1.000	ST
14	7.303-108.0	Screw 5x20 -10.9-R2R (In6Rd)	1.000	ST
15	6.389-811.0	High pressure hose	1.000	ST
16	6.401-429.0	Sphere polyamide 8mm	1.000	ST

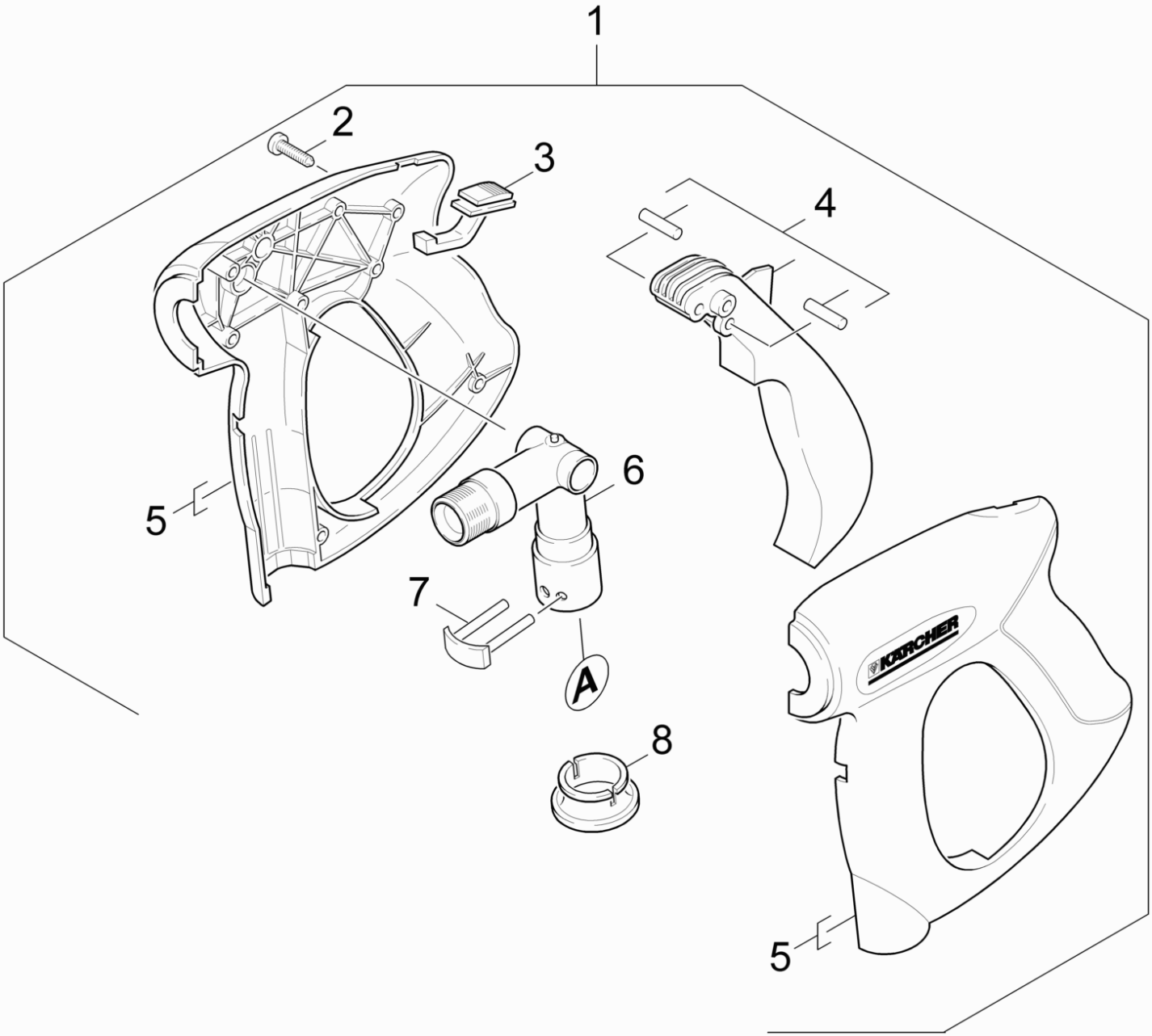


10 Safety valve complete replacement (4.580-709.0)

POS	Article no.	Description	Quantity	Unit
3	6.401-429.0	Sphere polyamide 8mm	1.000	ST
8	6.362-845.0	O-Ring seal 10,82x 1,78	1.000	ST

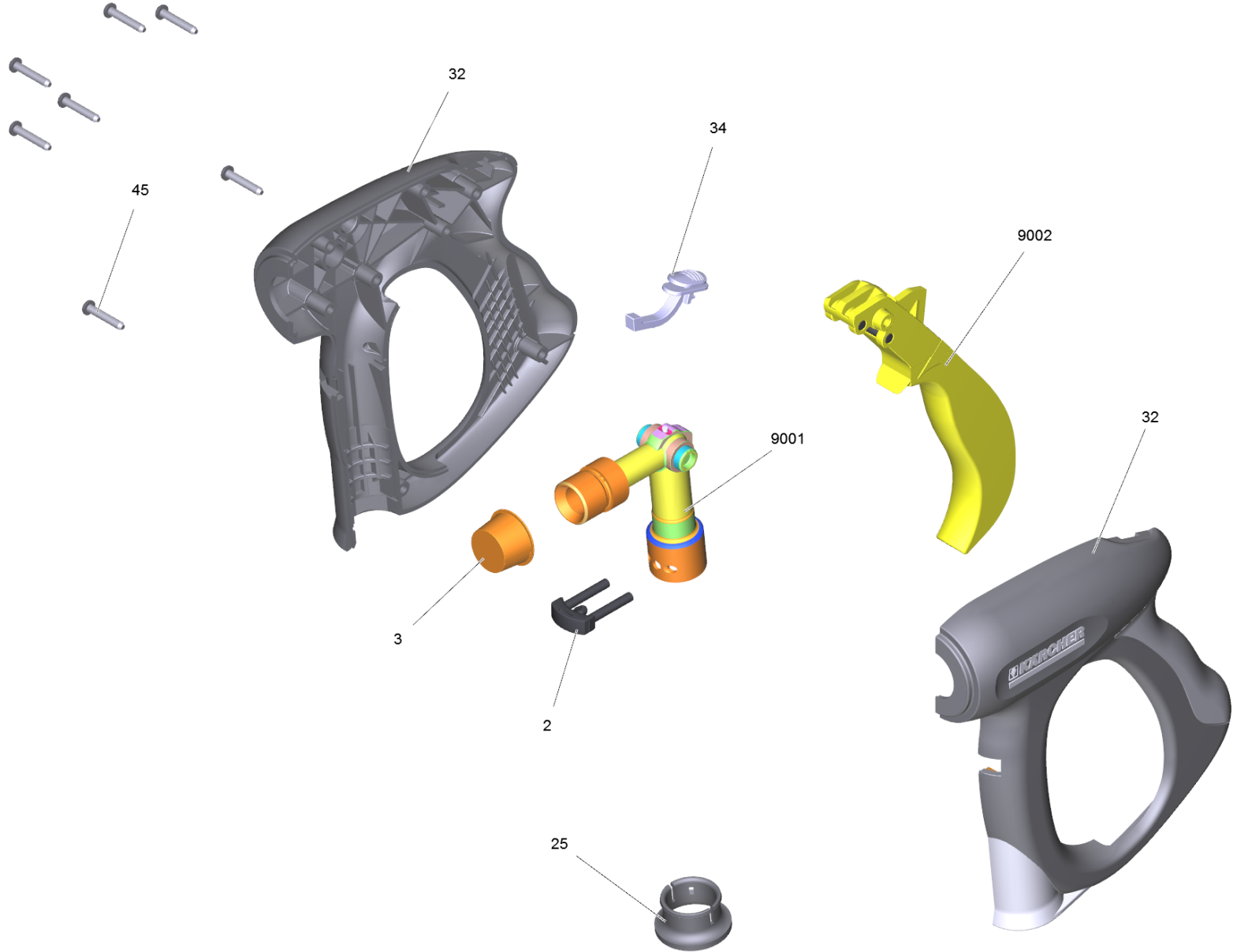
100 Accessories

POS	Description	Quantity	Unit
101	Hand trigger gun	1.000	ST
102	Rotary controller	1.000	ST
103	High pressure hose	1.000	ST
104	Jet pipe	1.000	ST
105	Power nozzle	1.000	ST



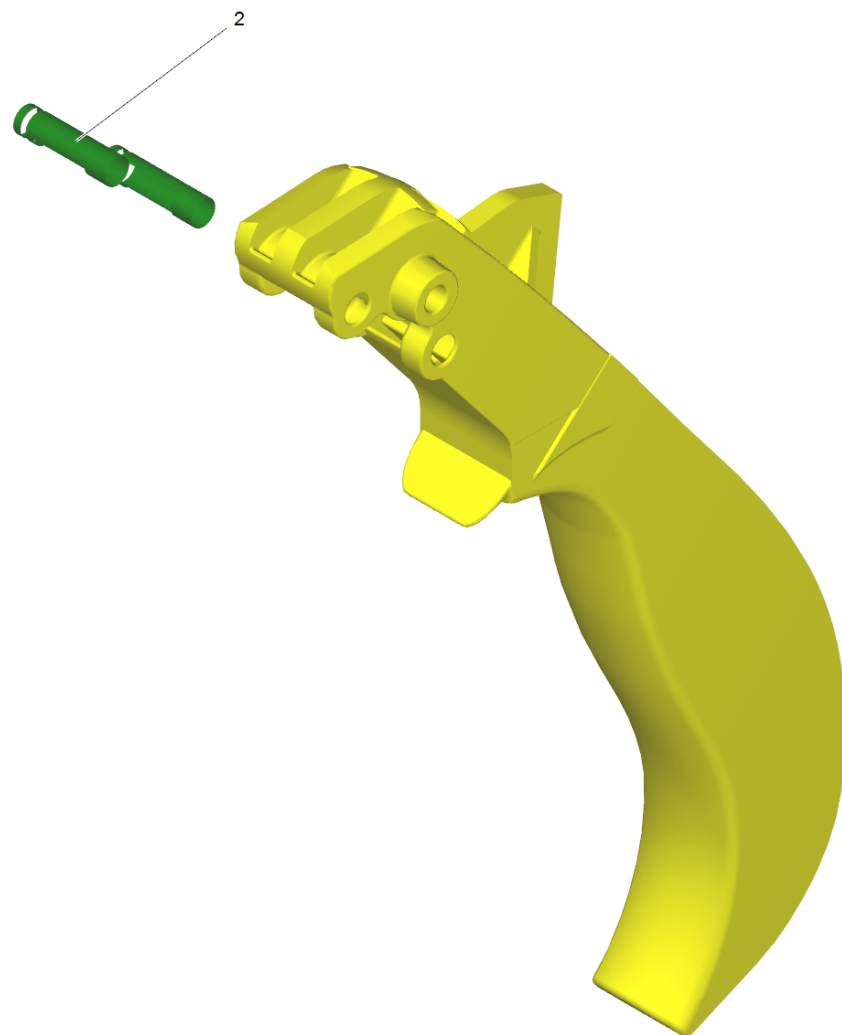
101 Hand trigger gun

POS	Article no.	Description	Quantity	Unit
1	4.775-463.0	HAND TRIGGER GUN EASY PRESS	1.000	ST
2	7.303-096.0	Screw 4x22 -ST-10.9-R2R (IN6RD)	7.000	ST
3	5.481-331.0	Slider	1.000	ST
4	4.481-209.0	Lever complete	1.000	ST
5	5.321-669.3	Handhold few	1.000	ST
6	4.427-215.0	Manifold complete only for replacement	1.000	ST
7	4.037-013.0	Hook	1.000	ST
8	5.110-596.0	Sleeve	1.000	ST



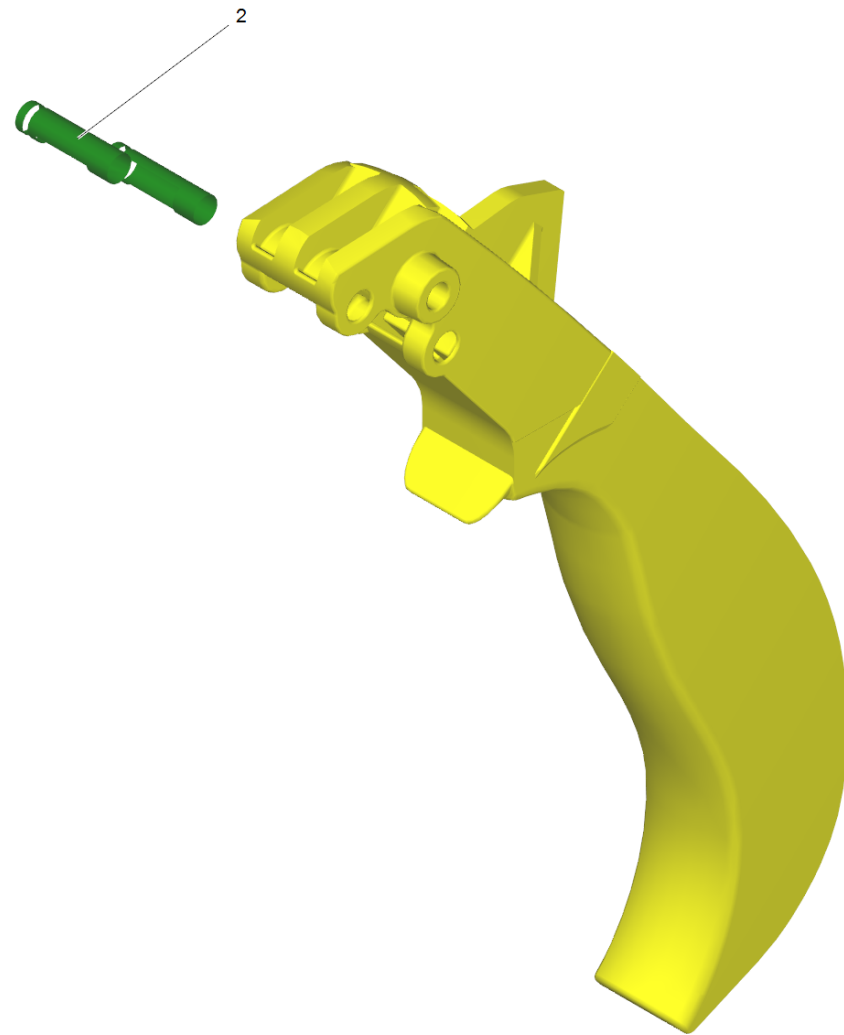
1 HAND TRIGGER GUN EASY PRESS (4.775-463.0)

POS	Article no.	Description	Quantity	Unit
2	4.037-013.0	Hook	1.000	ST
3	6.368-012.0	Protecting cap 22X1,5	1.000	ST
4	6.869-075.0	Metal bonding agent 1,5 ml	1.000	ST
25	5.110-596.0	Sleeve	1.000	ST
32	5.321-669.3	Handhold few	1.000	ST
34	5.481-331.0	Slider	1.000	ST
45	7.303-096.0	Screw 4x22 -ST-10.9-R2R (IN6RD)	7.000	ST
1041	6.288-044.0	Silicon grease 100 G	1.000	ST
9001	4.427-215.0	Manifold complete only for replacement	1.000	ST
9002	4.481-209.0	Lever complete	1.000	ST



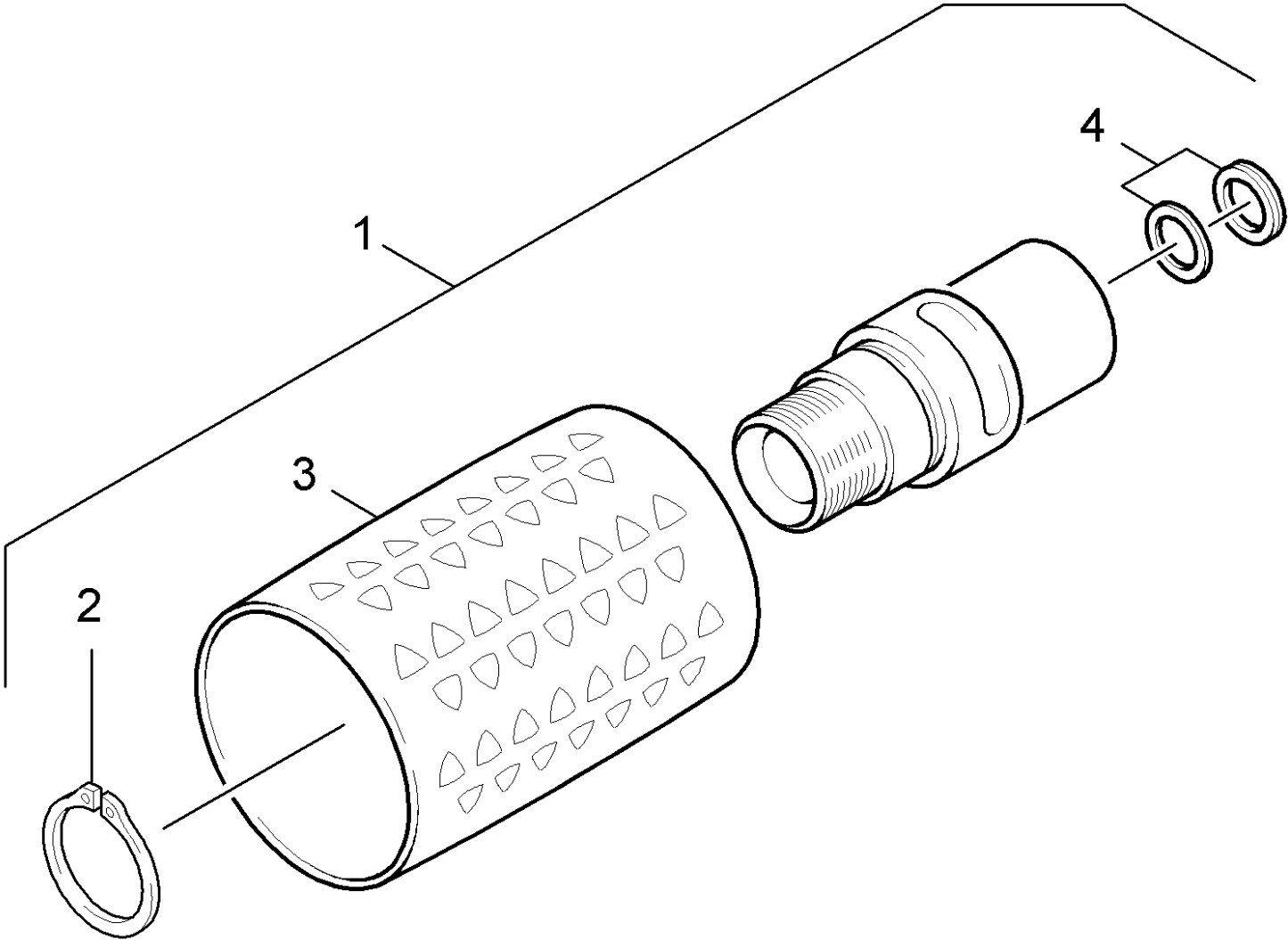
9002 Lever complete (4.481-209.0)

POS	Article no.	Description	Quantity	Unit
2	5.314-119.0	Pin	2.000	ST



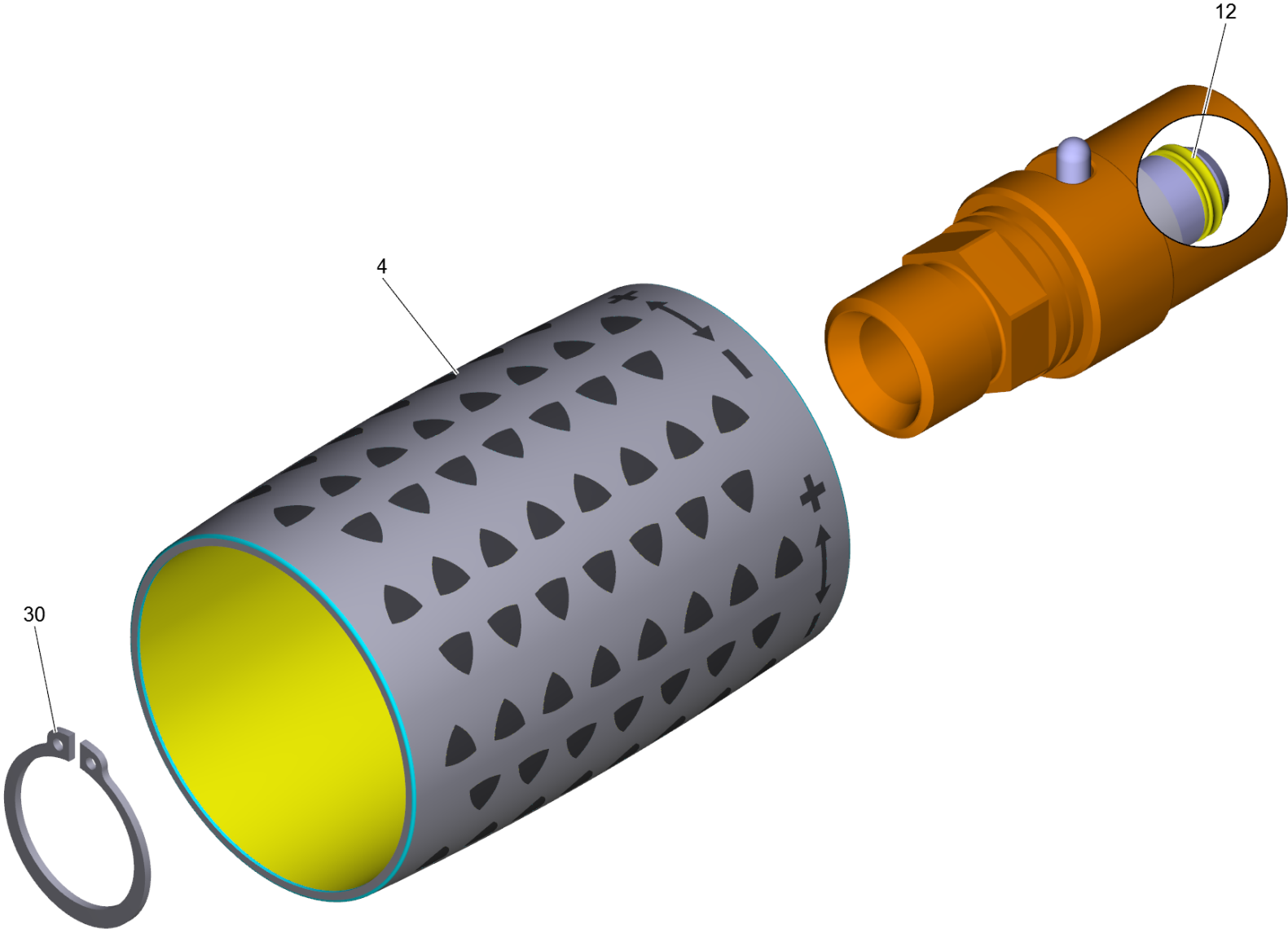
4 Lever complete (4.481-209.0)

POS	Article no.	Description	Quantity	Unit
2	5.314-119.0	Pin	2.000	ST



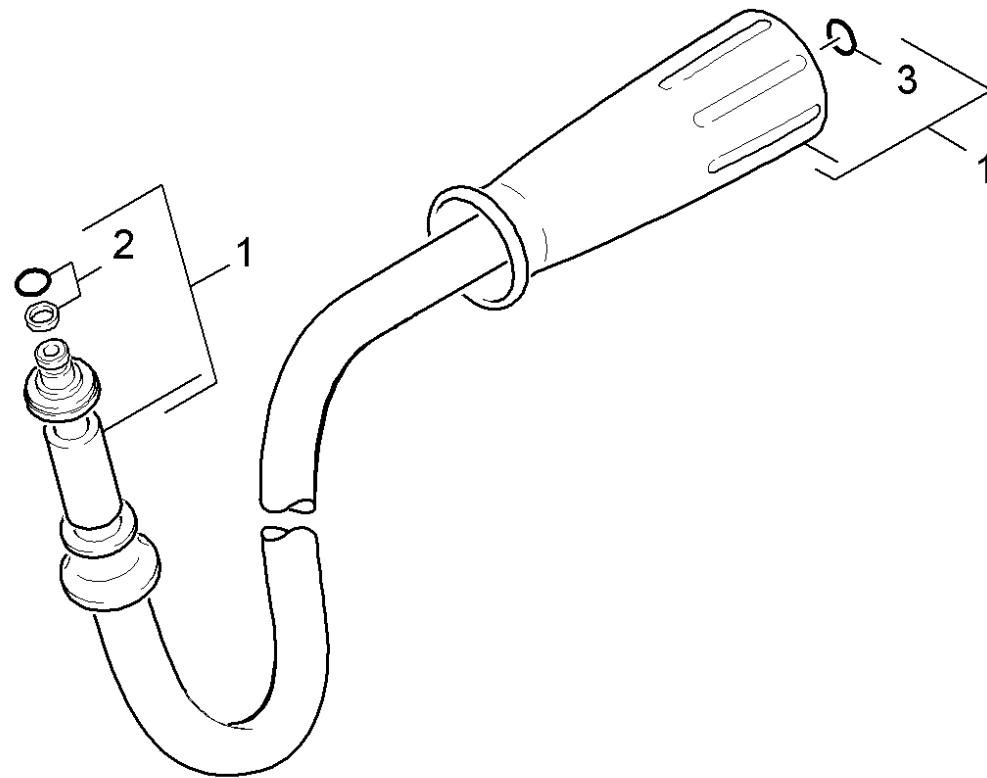
102 Rotary controller

POS	Article no.	Description	Quantity	Unit
1	4.775-471.0	Rotary controller 700L	1.000	ST
2	7.343-069.0	Locking ring 25x1,2-1.4122 DIN 471	1.000	ST
3	5.321-668.0	Handle	1.000	ST
4	4.363-695.0	Grooved ring only for replacement	1.000	ST



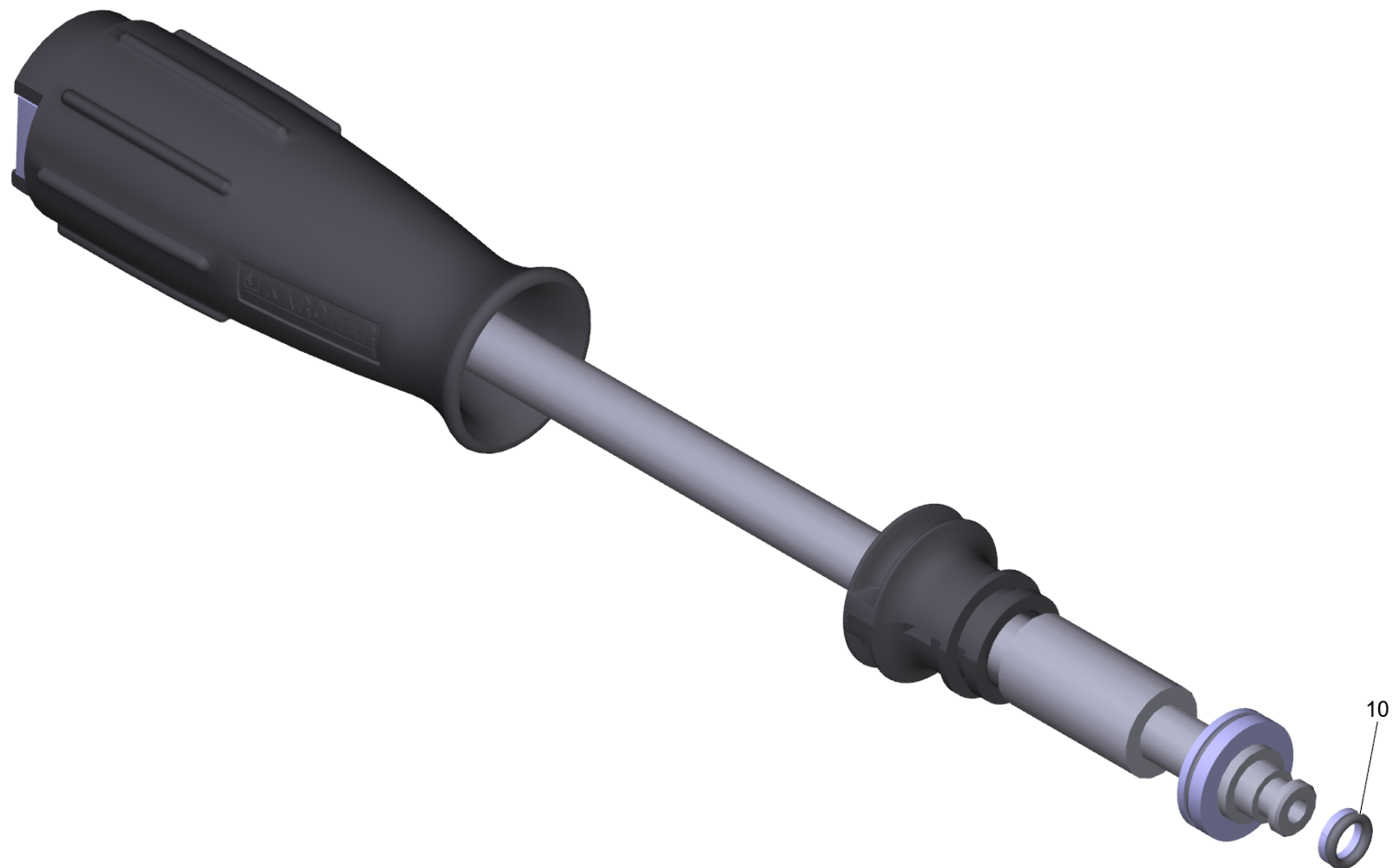
1 Rotary controller 700L (4.775-471.0)

POS	Article no.	Description	Quantity	Unit
4	5.321-668.0	Handle	1.000	ST
12	6.362-064.0	Quad joint ring 9.19x2.62	1.000	ST
30	7.343-069.0	Locking ring 25x1,2-1.4122 DIN 471	1.000	ST



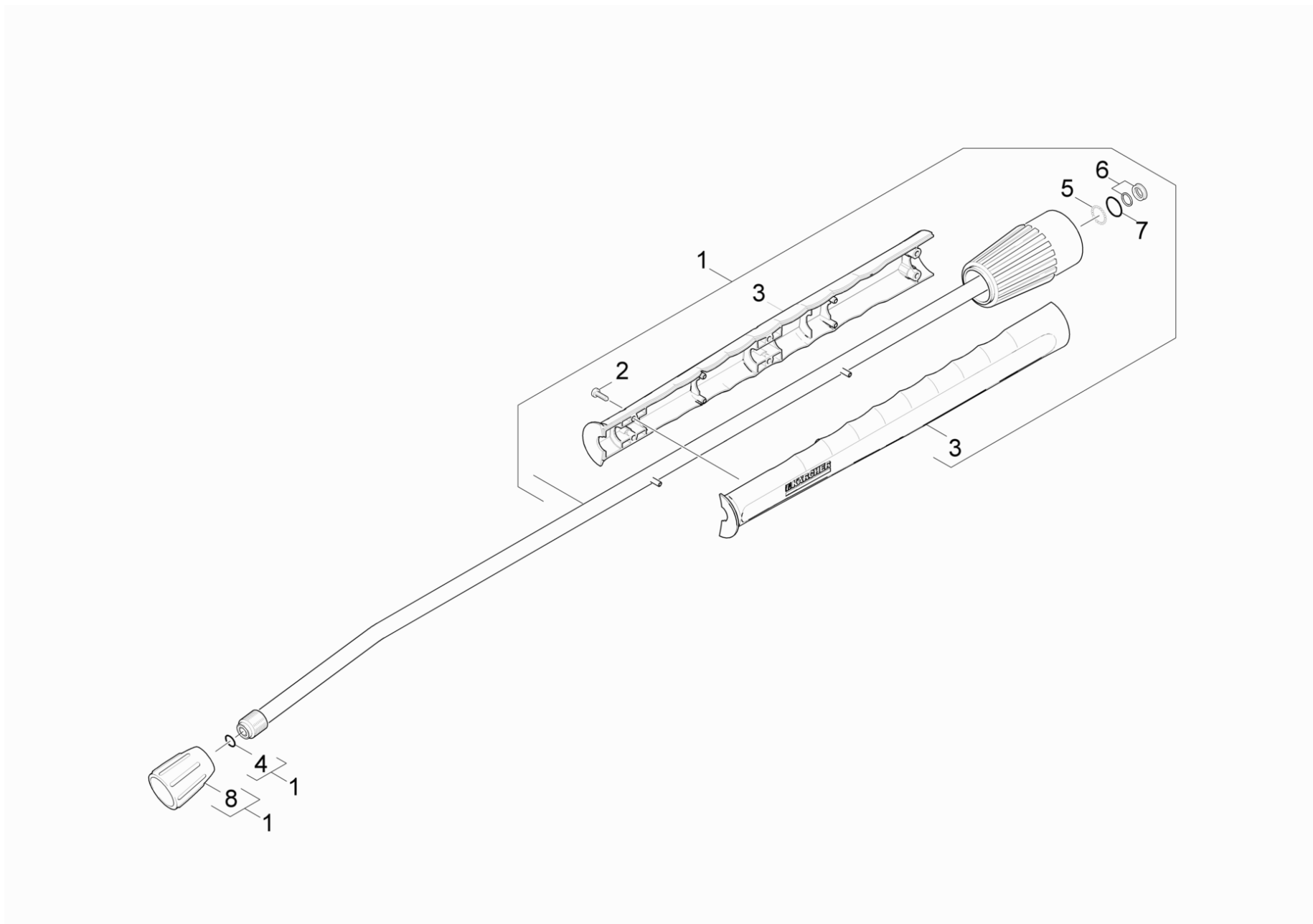
103 High pressure hose

POS	Article no.	Description	Quantity	Unit
1	6.391-351.0	Hose assembly only for replacement DN8 4	1.000	ST
2	4.363-691.0	O-Ring seal kpl. -nur fuer Ersatz-	1.000	ST
3	2.880-990.0	Spare part set O-Ring 5x -Kaercher	1.000	ST



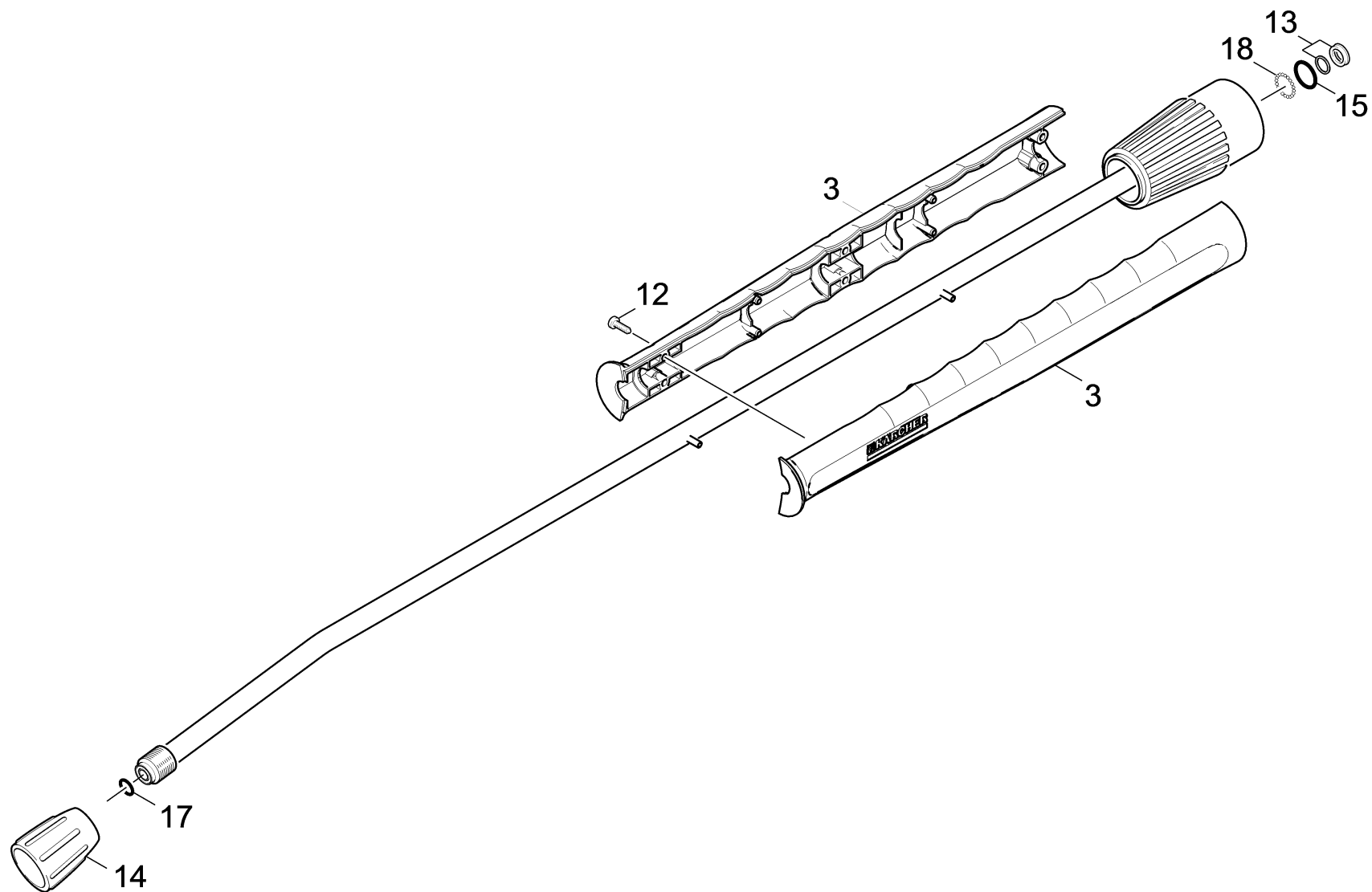
1 Hose assembly only for replacement DN8 4 (6.391-351.0)

POS	Article no.	Description	Quantity	Unit
10	4.363-691.0	O-Ring seal kpl. -nur fuer Ersatz-	1.000	ST



104 Jet pipe

POS	Article no.	Description	Quantity	Unit
1	4.760-660.0	Jet pipe packaged only for replacement	1.000	ST
2	7.303-129.0	Screw 4x16 -10.9-R2R (K-In6Rd)	6.000	ST
3	5.321-855.0	Handhold few jet pipe with welding bolt	1.000	ST
4	2.880-990.0	Spare part set O-Ring 5x -Kaercher	1.000	ST
5	7.401-915.0	Sphere 2,5 G40 -1.4034 DIN 5401	20.000	ST
6	4.363-692.0	Grooved ring kpl. -nur fuer Ersatz-	1.000	ST
7	6.362-524.0	O-Ring seal 17,0 X 1,5	1.000	ST
8	5.401-210.0	Screw connector part	1.000	ST



1 Jet pipe packaged only for replacement (4.760-660.0)

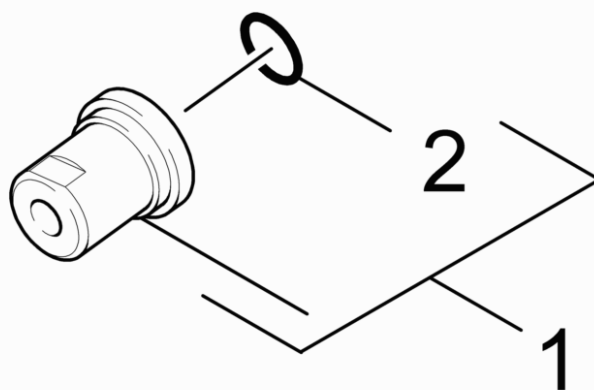
POS	Article no.	Description	Quantity	Unit
3	5.321-855.0	Handhold few jet pipe with welding bolt	1.000	ST
12	7.303-129.0	Screw 4x16 -10.9-R2R (K-In6Rd)	6.000	ST
13	4.363-692.0	Grooved ring kpl. -nur fuer Ersatz-	1.000	ST
14	5.401-210.0	Screw connector part	1.000	ST
15	6.362-524.0	O-Ring seal 17,0 X 1,5	1.000	ST
17	2.880-990.0	Spare part set O-Ring 5x -Kaercher	1.000	ST
18	7.401-915.0	Sphere 2,5 G40 -1.4034 DIN 5401	1.000	ST

14 Screw connector part (5.401-210.0)

POS	Description	Quantity	Unit
10	SCREW CONNECTOR PART	1.000	ST

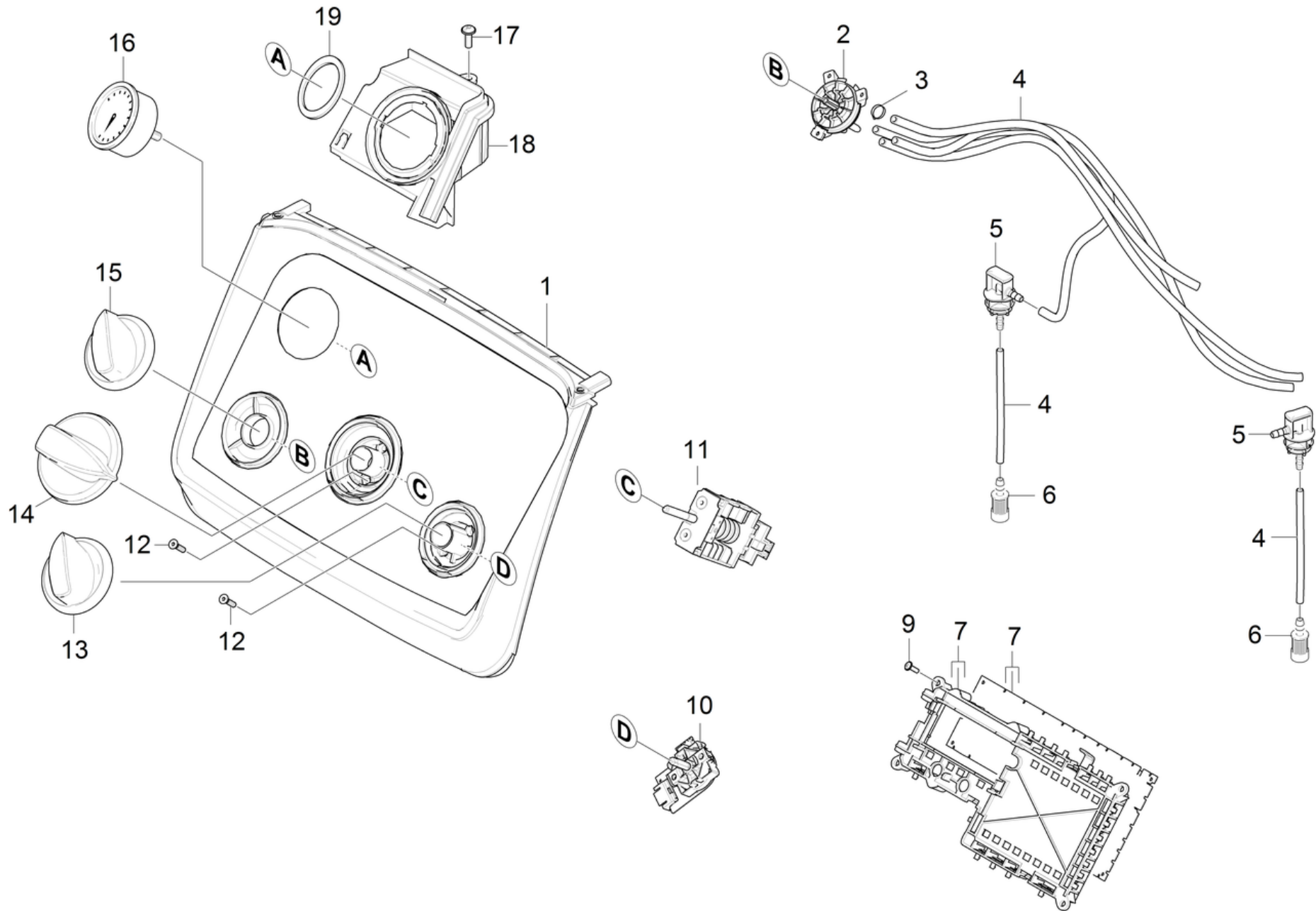
8 Screw connector part (5.401-210.0)

POS	Description	Quantity	Unit
10	SCREW CONNECTOR PART	1.000	ST



105 Power nozzle

POS	Article no.	Description	Quantity	Unit
1	2.883-404.0	Power nozzle 25070	1.000	ST
1	2.885-043.0	Steam nozzle 40100	1.000	ST
2	2.880-990.0	Spare part set O-Ring 5x -Kaercher	1.000	ST



110 Control panel

POS	Article no.	Description	Quantity	Unit	Foot note text
1	4.841-389.0	Control panel only for replacement	1.000	ST	
2	4.063-842.0	Proportioning valve chemistry	1.000	ST	
3	6.388-559.0	Hose clip	4.000	ST	
4	6.391-341.0	Hose chemistry DN 6	1.000	M	TO ORDER AS CUT GOODS
5	5.132-195.0	Plug aspiration chemistry	2.000	ST	
6	5.731-638.0	Filter with weight	2.000	ST	
7	2.885-053.0	Frame circuit board complete	1.000	ST	
9	7.303-106.0	Screw 4x12 -10.9-R2R (IN6RD)	2.000	ST	
10	4.630-005.0	Switch temperature only for replacement	1.000	ST	
11	6.630-421.3	Switch program selection	1.000	ST	
12	7.305-019.0	Countersunk screw M4x16 -8.8-R2R (In6Rd	4.000	ST	
13	5.321-847.0	Handle	1.000	ST	
14	5.321-848.0	Handle	1.000	ST	
15	5.321-844.0	Handle	1.000	ST	
16	4.423-020.0	Pressure gauge only for replacement 0-25	1.000	ST	
17	7.303-106.0	Screw 4x12 -10.9-R2R (IN6RD)	1.000	ST	
18	5.044-850.0	Holder pressure gauge	1.000	ST	
19	5.363-721.0	Joint ring	1.000	ST	