

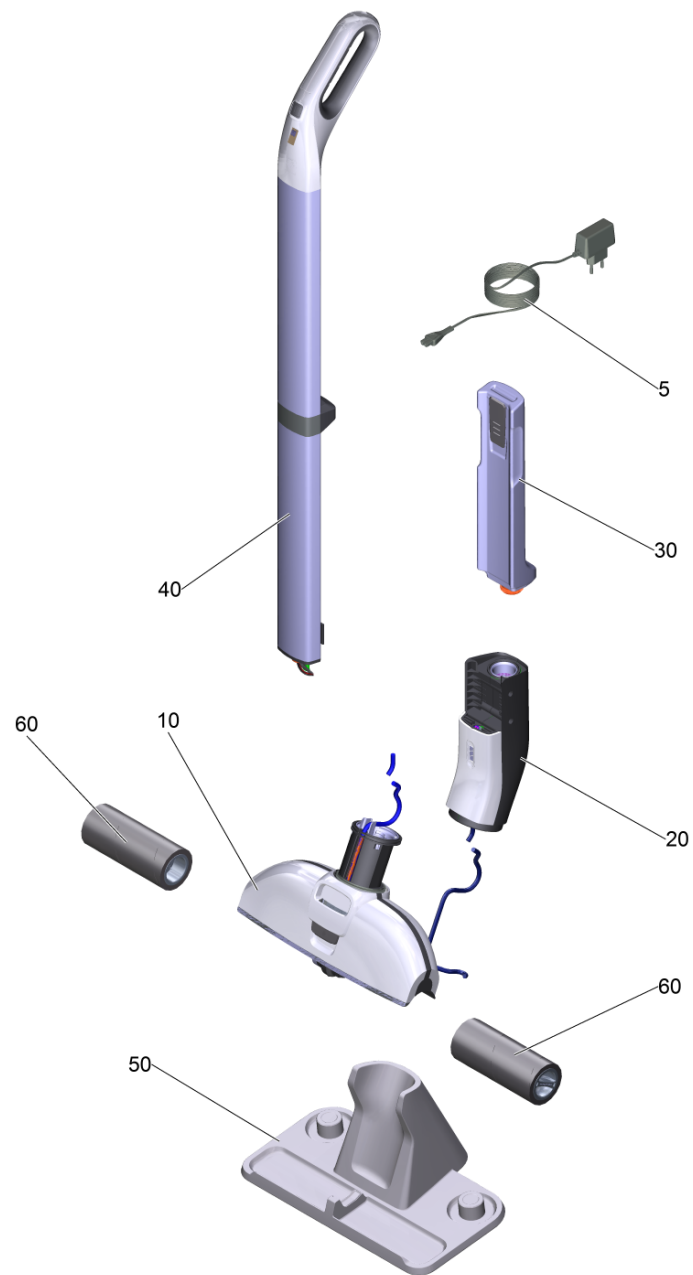
## **Spare parts list**

(1.055-300.0) FC 3 Cordless \*EU

## Table of contents

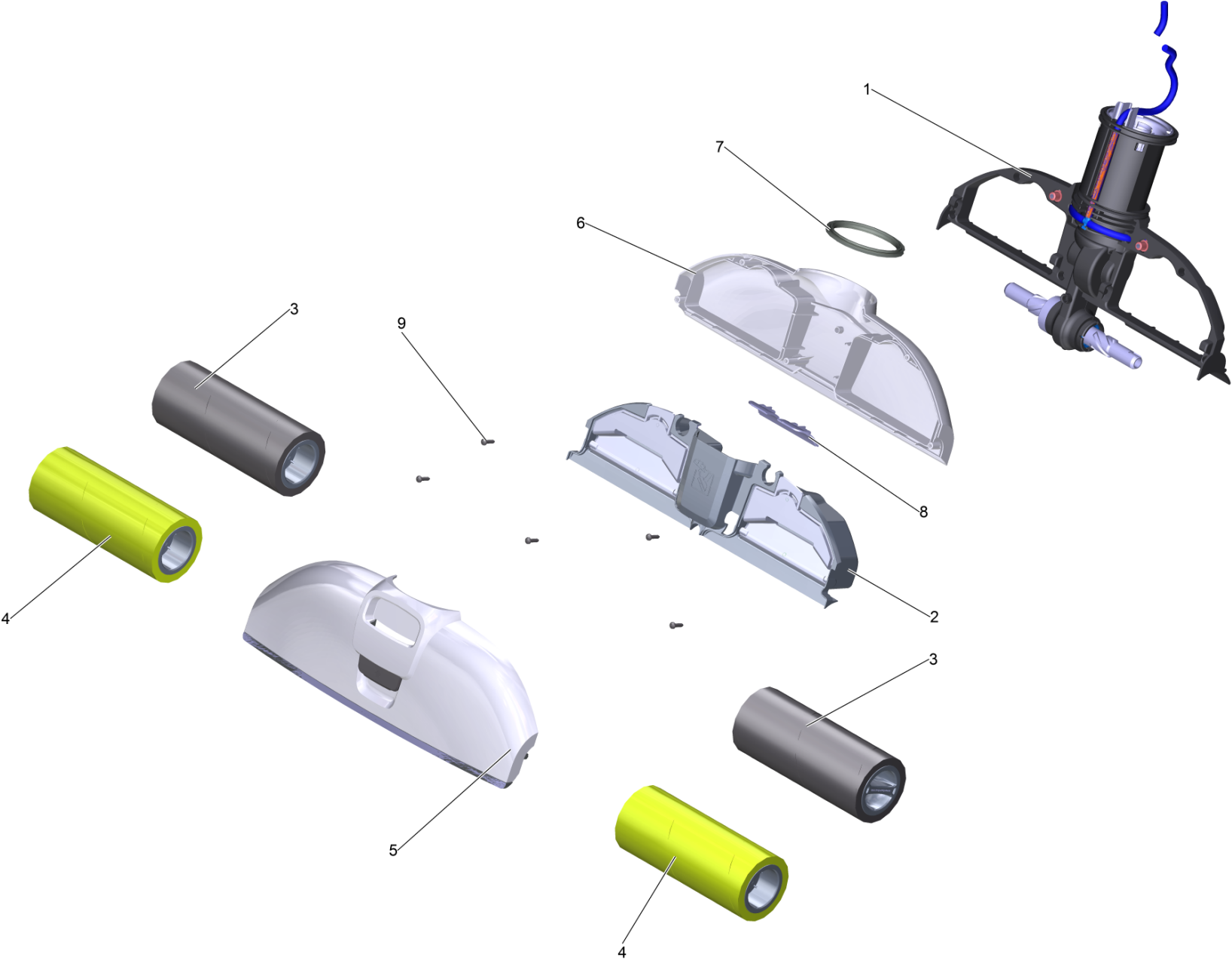
---

FC 3 Cordless *EU (1.055-300.0)	3
10 Head brush FC 3	5
20 Joint housing complete yellow (4.055-120.0)	7
30 Clean water tank complete	9
40 Handle Stick complete	11



FC 3 Cordless \*EU (1.055-300.0)

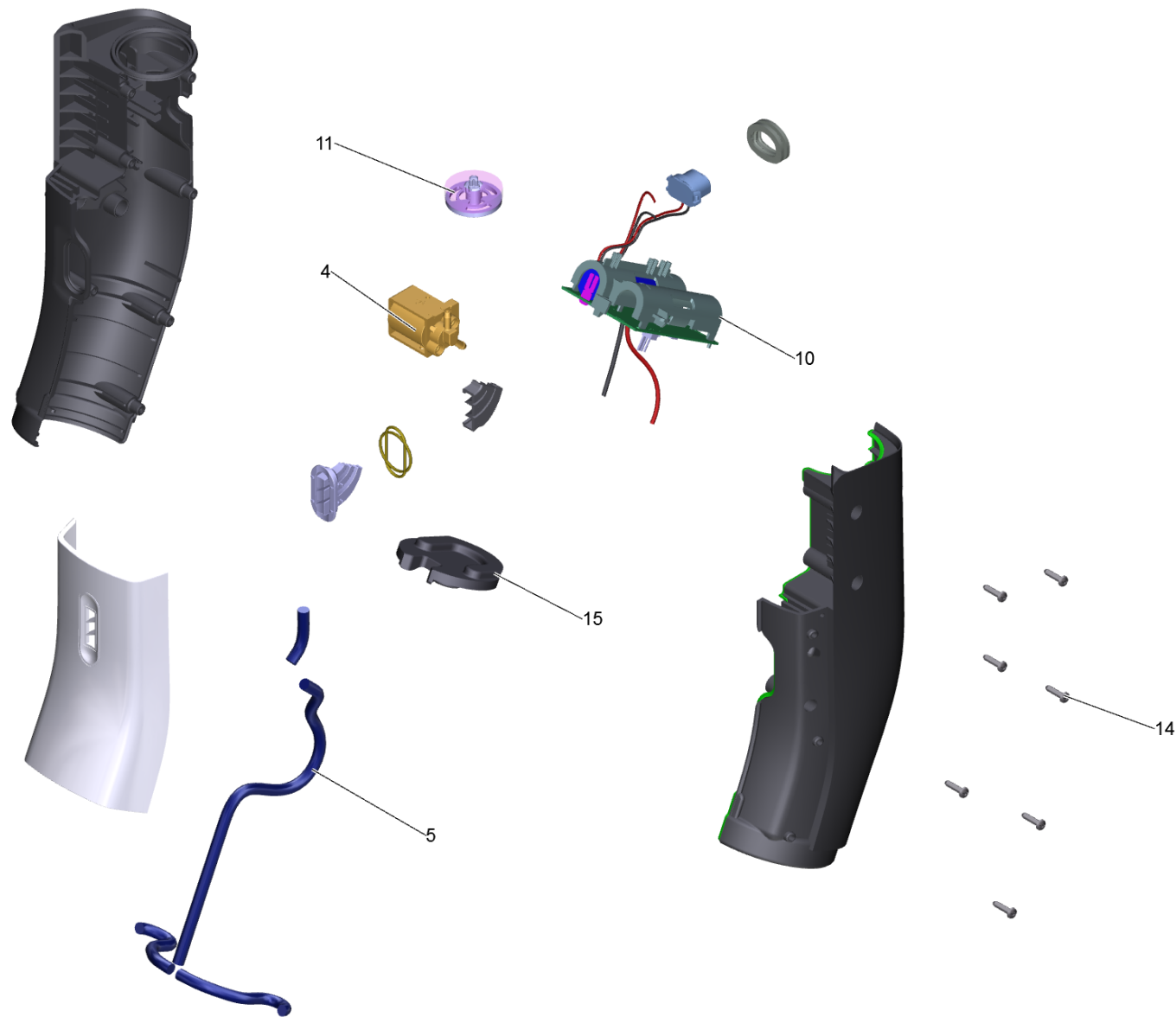
POS	Article no.	Description	Quantity	Unit
5	6.654-370.3	Power supply only for replacement	1.000	ST
10		Head brush FC 3	1.000	ST
20	4.055-120.0	Joint housing complete yellow	1.000	ST
30		Clean water tank complete	1.000	ST
40		Handle Stick complete	1.000	ST
50	5.055-555.0	Parking station FC 3	1.000	ST
60	2.055-007.0	Set of rollers grey set grau	1.000	ST
60	2.055-006.0	Set of rollers yellow set gelb	1.000	ST



## 10 Head brush FC 3

---

<b>POS</b>	<b>Article no.</b>	<b>Description</b>	<b>Quantity</b>	<b>Unit</b>
1	4.071-568.0	Spare parts set drive complete	1.000	ST
2	4.055-121.0	Dirt water tank complete	1.000	ST
3	2.055-007.0	Set of rollers grey set grau	1.000	ST
4	2.055-006.0	Set of rollers yellow set gelb	1.000	ST
5	4.055-122.0	Cover dirt water tank complete	1.000	ST
6	5.055-549.0	Cover bottom	1.000	ST
7	5.055-518.0	Sealing joint	1.000	ST
8	5.055-548.0	Cover guiding wall	1.000	ST
9	6.303-557.0	Screw 3x12 Kombitorx T8	5.000	ST

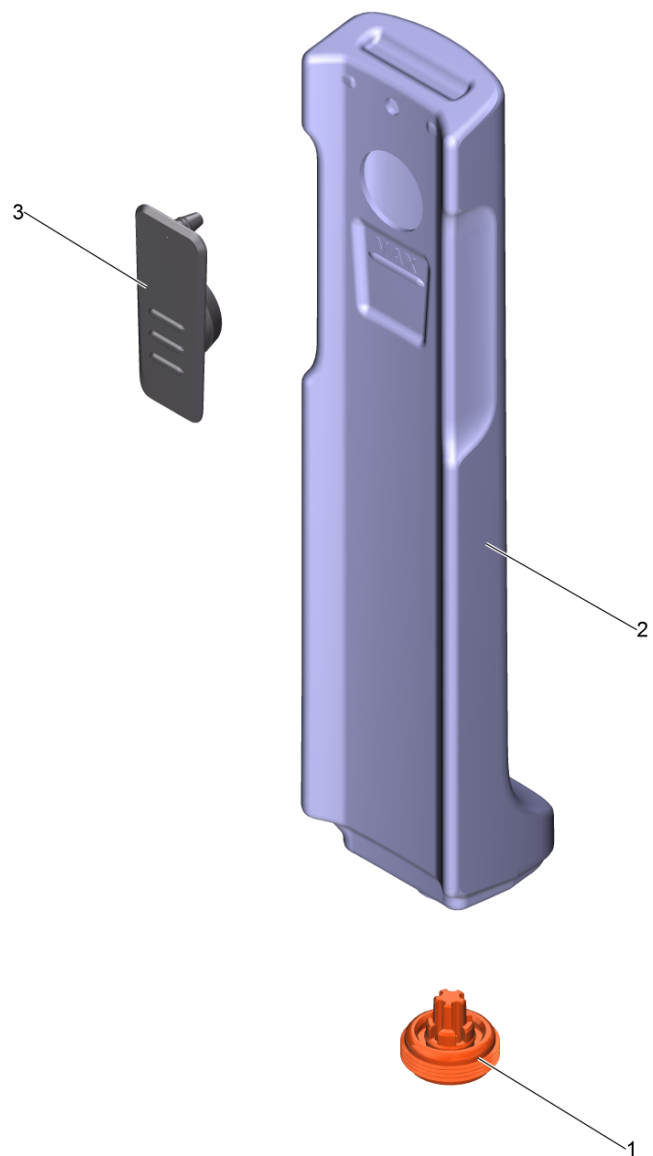


20 Joint housing complete yellow (4.055-120.0)

---

<b>POS</b>	<b>Article no.</b>	<b>Description</b>	<b>Quantity</b>	<b>Unit</b>
4	6.686-611.0	Solenoid valve	1.000	ST
5	6.901-025.0	Hose silicon	1.000	ST
10	4.055-153.0	Electronics FC 3 cordless	1.000	ST
11	4.055-110.0	Filter complete for replacement	1.000	ST
14	6.303-557.0	Screw 3x12 Kombitorx T8	7.000	ST
15	5.055-563.0	Bulkhead	1.000	ST

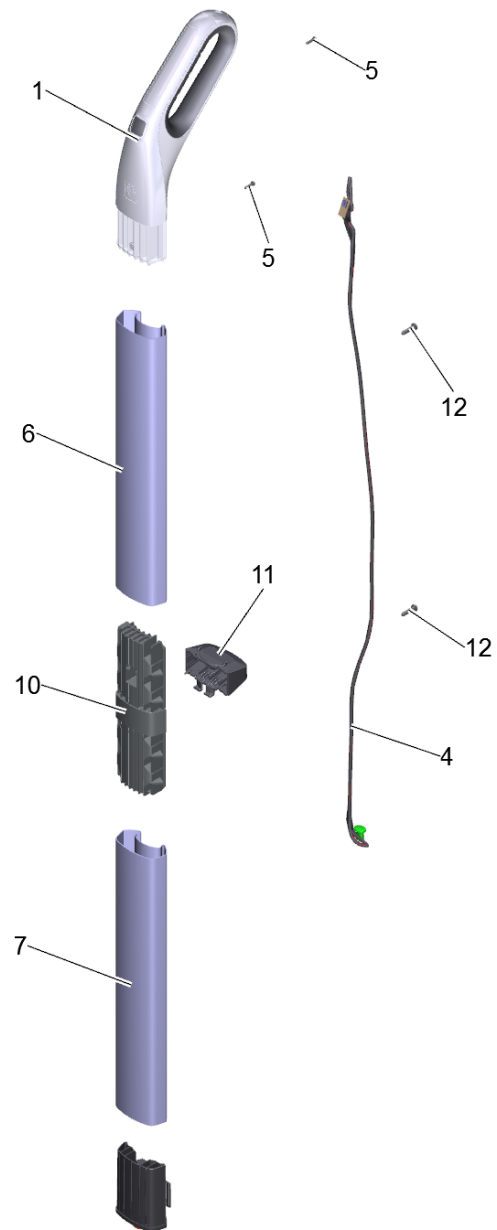




### 30 Clean water tank complete

---

<b>POS</b>	<b>Article no.</b>	<b>Description</b>	<b>Quantity</b>	<b>Unit</b>
1	4.055-112.0	Valve complete for replacement	1.000	ST
2	5.055-525.0	Clean water tank	1.000	ST
3	5.055-526.0	Lock clip	1.000	ST



## 40 Handle Stick complete

---

<b>POS</b>	<b>Article no.</b>	<b>Description</b>	<b>Quantity</b>	<b>Unit</b>
1	4.055-157.0	Hand grip yellow for replacement	1.000	ST
4	6.650-807.0	Cable handle complete	1.000	ST
5	6.303-557.0	Screw 3x12 Kombitorx T8	2.000	ST
6	5.055-532.3	Profile aluminium	1.000	ST
7	5.055-551.3	Profile aluminium printed	1.000	ST
10	5.055-534.0	Connector	1.000	ST
11	5.055-533.0	Cap connector	1.000	ST
12	7.303-026.0	Screw 4x16 -A2-70 (In6Rd)	2.000	ST