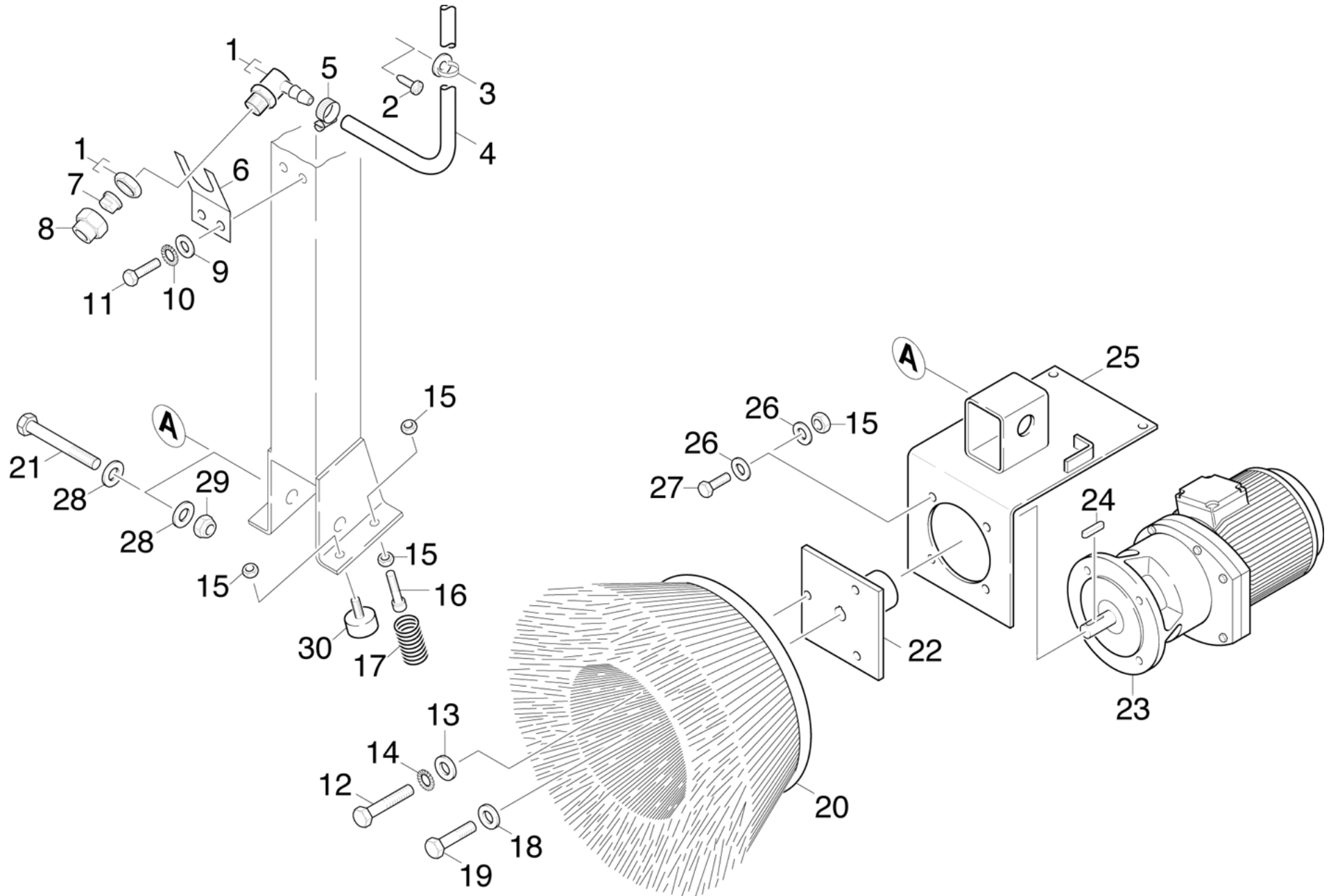


42 Wheel wash bottom

Professional \ Systems engineering \ Wash units \ Passenger vehicle \ CWH 4316 \ Documentation CWH 4000 \ Spare parts list CWH 4000 \ Wheel wash \ Wheel wash bottom



42 Wheel wash bottom

Professional \ Systems engineering \ Wash units \ Passenger vehicle \ CWH 4316 \ Documentation CWH 4000 \ Spare parts list CWH 4000 \ Wheel wash \ Wheel wash bottom



POS	Article no.	Description	Quantity	Unit	Foot note text
16	7.306-144.0	Cylinder head screw M 8x20-A2-70 ISO 47	4.000	ST	
20	6.903-411.0	Disc brush D.330	2.000	ST	
22	4.122-038.0	Flange	2.000	ST	
17	5.332-204.0	Helical spring	4.000	ST	
27	7.304-537.0	Hexagonal head screw M 8x30-A4-70 ISO 4	8.000	ST	
12	7.304-806.0	Hexagonal head screw M10x45-A4-70 ISO 4	6.000	ST	
21	7.304-014.0	Hexagonal head screw M16x110-A4-70 ISO	2.000	ST	
15	7.311-068.0	Hexagon nut M 8-A2-70 ISO 4032	12.000	ST	
29	7.311-442.0	Hexagon nut M16-1.4305 ISO 10511	2.000	ST	
5	7.373-019.0	Hose clip A 10-16x9-W4 DIN3017	2.000	ST	
4	6.388-247.0	Hose DN8 -PVC	1.000	M	TO ORDER AS CUT GOODS
1	6.389-252.0	Hose nozzle	2.000	ST	
3	6.647-726.0	Mounting base for cable tie	4.000	ST	
7	6.415-698.0	Nozzle mouthpiece 6520	2.000	ST	
11	7.306-182.0	Pan head screw M5x16 -A2-70 ISO 14583	4.000	ST	
24	7.318-019.0	Parallel key 6x4x32-C45R DIN 6885	2.000	ST	
30	6.339-094.0	Rubber buffer	4.000	ST	
2	7.306-181.0	Screw M 5x 12-A2-70 (In6Rd)	4.000	ST	
19	7.306-184.0	Screw M5x30 -A2-70 (In6Rd)	2.000	ST	
10	7.312-041.0	Serrated lock washer A5,3-1.4310 DIN 67	4.000	ST	
14	7.312-023.0	Serrated lock washer A10,5-1.4310 DIN 6	6.000	ST	
25	7.777-999.0	Stockpiling discontinued	2.000	ST	
6	7.777-999.0	Stockpiling discontinued	2.000	ST	
23	6.611-560.0	Traction motor 0,18KW	2.000	ST	50HZ VERSION
23	5.623-075.0	Traction motor RAWA	1.000	ST	60HZ VERSION
8	6.415-363.0	Union nut 11/16Z	2.000	ST	
9	7.312-052.0	Washer 5 -A2 ISO 7089	4.000	ST	
18	7.312-264.0	Washer 5-100HV-A3E ISO 7094	2.000	ST	
26	7.312-017.0	Washer 8-A2 ISO 7089	16.000	ST	
13	7.312-014.0	Washer 10-A4 ISO 7090	6.000	ST	
28	7.312-057.0	Washer 16 -A2 ISO 7090	4.000	ST	