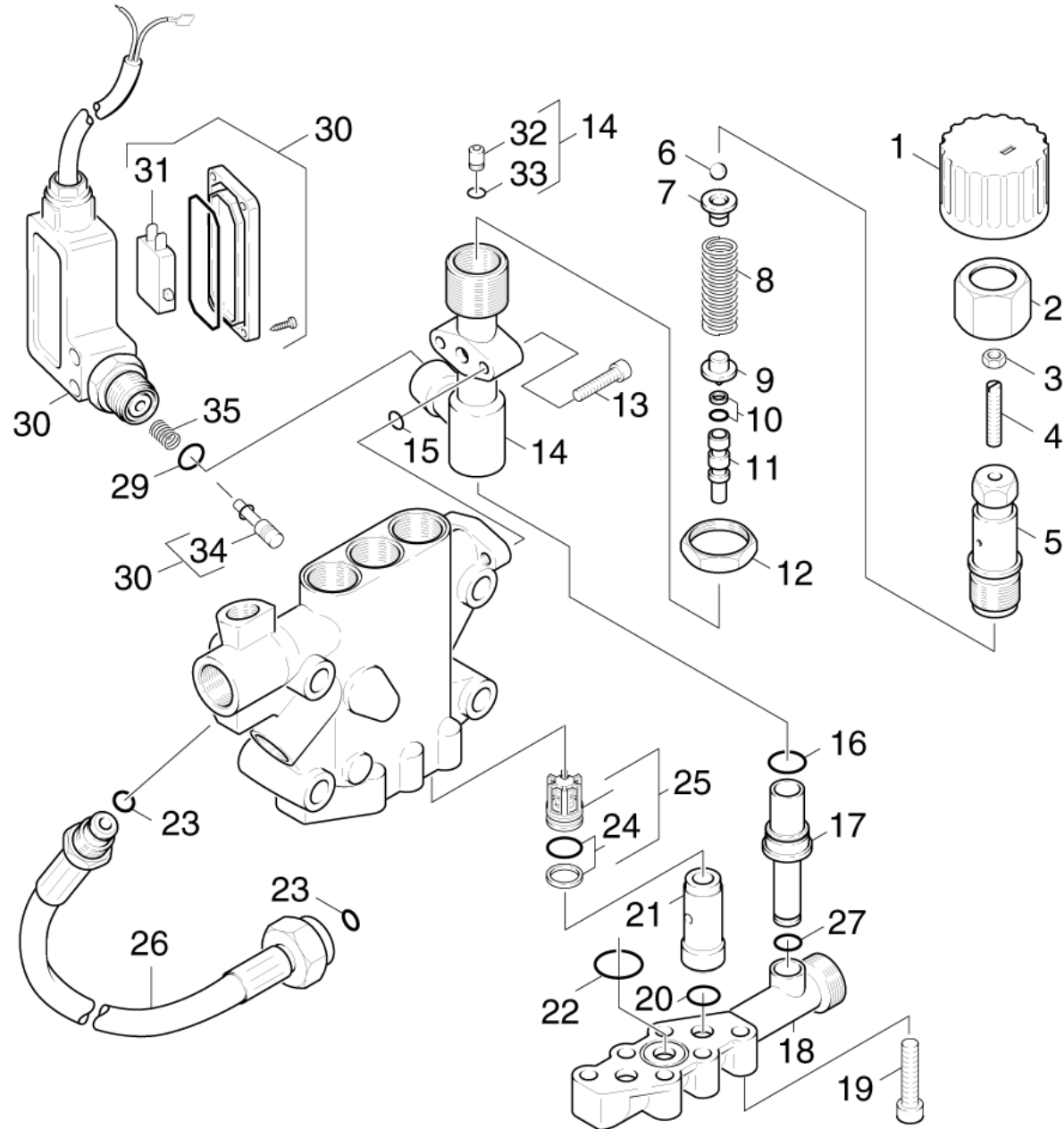


## 23 Suction side

Professional \ High pressure cleaner hotwater \ Electric motor \ HDS 695 S \*EU \ Spare parts list HDS 695 S \ Pump set \ Suction side



## 23 Suction side

Professional \ High pressure cleaner hotwater \ Electric motor \ HDS 695 S \*EU \ Spare parts list HDS 695 S \ Pump set \ Suction side

| POS | Article no. | Description                              | Quantity | Unit |
|-----|-------------|--|----------|------|
| 26  | 6.389-568.0 | Connection hose d14 DN8 max.31,5MPa 0,4m | 1        | PC   |
| 17  | 5.402-499.0 | CONNECTION PIECE                         | 1        | PC   |
| 19  | 7.306-044.0 | Cylinder head screw M8x35 -8.8-A2E ISO4  | 6        | PC   |
| 1   | 5.321-406.0 | Handhold                                 | 1        | PC   |
| 8   | 5.332-285.0 | Helical spring                           | 1        | PC   |
| 5   | 5.304-061.0 | Hexagonal head screw                     | 1        | PC   |
| 2   | 5.311-164.0 | Hexagon nut                              | 1        | PC   |
| 3   | 7.311-003.0 | Hexagon nut M6 -8-A2E ISO 4032           | 1        | PC   |
| 12  | 5.311-165.0 | Hexagon nut M30x1,5                      | 1        | PC   |
| 14  | 4.060-224.0 | Housing complete                         | 1        | PC   |
| 29  | 2.880-154.0 | O-Ring kit                               | 1        | PC   |
| 33  | 6.362-703.0 | O-Ring seal 6,0x1,5-NBR 70               | 1        | PC   |
| 27  | 6.362-797.0 | O-Ring seal 9,0 X 2,0                    | 1        | PC   |
| 15  | 6.362-482.0 | O-Ring seal 10 x 1,5-NBR 70              | 1        | PC   |
| 23  | 6.362-392.0 | O-Ring seal 10,0 X 2,0                   | 2        | PC   |
| 20  | 6.362-153.0 | O-Ring seal 15,3 X 2,4-NBR 70            | 2        | PC   |
| 16  | 6.362-534.0 | O-Ring seal 18,0 X 2,0-NBR 70            | 1        | PC   |
| 22  | 6.362-547.0 | O-Ring seal 20,0x1,5-NBR 70              | 1        | PC   |
| 10  | 6.363-115.0 | O-Ring seal complete 1ST.-R.             | 1        | PC   |
| 24  | 4.363-693.0 | O-Ring seal kpl. -nur fuer Ersatz-       | 3        | PC   |
| 11  | 5.553-249.0 | Piston                                   | 1        | PC   |
| 34  | 6.630-038.0 | Piston complete                          | 1        | PC   |
| 35  | 6.330-202.0 | Pressure spring 8 bar                    | 1        | PC   |
| 30  | 6.630-050.0 | Pressure switch                          | 1        | PC   |
| 13  | 7.306-105.0 | Screw M6x30 -8.8-R3R (In6Rd)             | 1        | PC   |
| 21  | 5.110-518.0 | Sleeve                                   | 1        | PC   |
| 6   | 7.401-918.0 | Sphere 6 G300 -1.4301 DIN 5401           | 1        | PC   |
| 31  | 6.631-792.0 | Switch                                   | 1        | PC   |
| 4   | 7.307-418.0 | Threaded pin M6x35 -St-45H-A2E ISO 4026  | 1        | PC   |
| 25  | 2.884-906.0 | TRIPLE VALVE                             | 2        | PC   |
| 7   | 5.582-103.0 | Valve disc                               | 1        | PC   |
| 18  | 5.587-141.0 | Valve housing                            | 1        | PC   |
| 9   | 5.584-077.0 | Valve pin                                | 1        | PC   |

## 23 Suction side

Professional \ High pressure cleaner hotwater \ Electric motor \ HDS 695 S \*EU \ Spare parts list HDS 695 S \ Pump set \ Suction side



| POS | Article no. | Description | Quantity | Unit |
|-----|-------------|-------------|----------|------|
| 32  | 5.581-143.0 | Valve seat  | 1        | PC   |