

Spare parts list

(1.573-822.0) IVS 100/75 M

Table of contents

IVS 100/75 M (1.573-822.0)	5
4 Spare parts list IVS 100/75 M (5.977-671.0)	6
10 Individual parts appliance top part	7
20 Vacuum motor	10
113 Silencer 7,5 kW (4.462-019.0)	13
114 Silencer supply air complete (4.462-020.0)	15
30 Tank	17
40 Accessories overview industry vacuum cle	20
1 Suction set dry fine dust DN42 (2.869-106.0)	24
1 Suction hose PVC el. DN42 3m (6.907-292.0)	26
2 Elbow coated el. DN42 (6.902-202.0)	28
3 Suction tube coated 750mm, el. DN42 (6.902-182.0)	30
4 Multi-purpose nozzle 370mm DN42 (6.902-185.0)	32
6 Suction brush round 45° DN42 (6.902-193.0)	34
2 Suction set liquids with solids (2.869-107.0)	36
1 Suction hose ME-PU el. DN42 3m (6.907-304.0)	38
2 Elbow coated el. DN42 (6.902-202.0)	40
3 Suction tube coated 750mm, el. DN42 (6.902-182.0)	42
4 Multi-purpose nozzle 370mm DN42 (6.902-185.0)	44
3 Suction set solids little liquid (2.869-108.0)	46
1 Suction hose ME-PU el. DN52 3m (6.907-306.0)	48
2 Elbow coated el. DN52 (6.902-201.0)	50
3 Suction tube coated 850mm, el. DN52 (6.902-181.0)	52
4 Multi-purpose nozzle 370mm DN52 (6.902-184.0)	54
6 Surface nozzle aluminium 150mm DN52 (6.902-187.0)	56
4 Suction set dry coarse particles DN52 (2.869-109.0)	58
1 Suction hose PU el. DN52 3m (6.907-300.0)	60
2 Elbow coated el. DN52 (6.902-201.0)	62
3 Suction tube coated 850mm, el. DN52 (6.902-181.0)	64
4 Multi-purpose nozzle 370mm DN52 (6.902-184.0)	66
6 Surface nozzle aluminium 150mm DN52 (6.902-187.0)	68
6 Vacuum cleaner connection DN72 auf DN61 (6.902-001.0)	70
7 Reducer DN52 auf DN42 (6.902-179.0)	72
7 Reducer DN72 auf DN52 (6.902-180.0)	74
8 Suction tube coated 850mm, el. DN52 (6.902-181.0)	76
8 Suction tube coated 750mm, el. DN42 (6.902-182.0)	78
9 Multi-purpose nozzle 370mm DN52 (6.902-184.0)	80
9 Multi-purpose nozzle 370mm DN42 (6.902-185.0)	82

Table of contents

9 Multi-purpose nozzle 500mm DN52 (6.902-186.0)	84
9 Multi-purpose nozzle 370mm el. leit., DN (6.902-213.0)	86
10 Surface nozzle aluminium 150mm DN52 (6.902-187.0)	88
10 Surface nozzle aluminium 150mm DN42 (6.902-188.0)	90
11 Crevice nozzle zinc-plated 17mm DN52 (6.902-189.0)	92
11 Crevice nozzle zinc-plated 28mm DN72 (6.902-191.0)	94
12 Suction brush round 45° DN52 (6.902-192.0)	96
12 Suction brush round 45° DN42 (6.902-193.0)	98
16 Elbow coated el. DN52 (6.902-201.0)	100
16 Elbow coated el. DN42 (6.902-202.0)	102
16 Elbow coated el. DN72 (6.902-203.0)	104
18 Suction and blow nozzle straight DN42 (6.902-205.0)	106
19 Y-Piece DN72 auf 2x DN52 (6.902-206.0)	108
22 Suction hose PVC el. DN42 3m (6.907-292.0)	110
22 Suction hose PVC el. DN42 5m (6.907-293.0)	112
22 Suction hose PVC el. DN52 3m (6.907-294.0)	114
22 Suction hose PVC el. DN52 5m (6.907-295.0)	116
22 Suction hose PVC el. DN72 3m (6.907-296.0)	118
22 Suction hose PVC el. DN72 5m (6.907-297.0)	120
22 Suction hose PU el. DN42 3m (6.907-298.0)	122
22 Suction hose PU el. DN42 5m (6.907-299.0)	124
22 Suction hose PU el. DN52 3m (6.907-300.0)	126
22 Suction hose PU el. DN52 5m (6.907-301.0)	128
22 Suction hose PU el. DN72 3m (6.907-302.0)	130
22 Suction hose PU el. DN72 5m (6.907-303.0)	132
22 Suction hose ME-PU el. DN42 3m (6.907-304.0)	134
22 Suction hose ME-PU el. DN42 5m (6.907-305.0)	136
22 Suction hose ME-PU el. DN52 3m (6.907-306.0)	138
22 Suction hose ME-PU el. DN52 5m (6.907-307.0)	140
22 Suction hose ME-PU el. DN72 3m (6.907-308.0)	142
22 Suction hose ME-PU el. DN72 5m (6.907-309.0)	144
23 Extension hose PVC el. DN42 3m (6.907-310.0)	146
23 Extension hose PVC el. DN42 5m (6.907-311.0)	148
23 Extension hose PVC el. DN52 3m (6.907-312.0)	150
23 Extension hose PVC el. DN52 5m (6.907-313.0)	152
23 Extension hose PU el. DN42 3m (6.907-314.0)	154
23 Extension hose PU el. DN42 5m (6.907-315.0)	156
23 Extension hose PU el. DN52 3m (6.907-316.0)	158

Table of contents

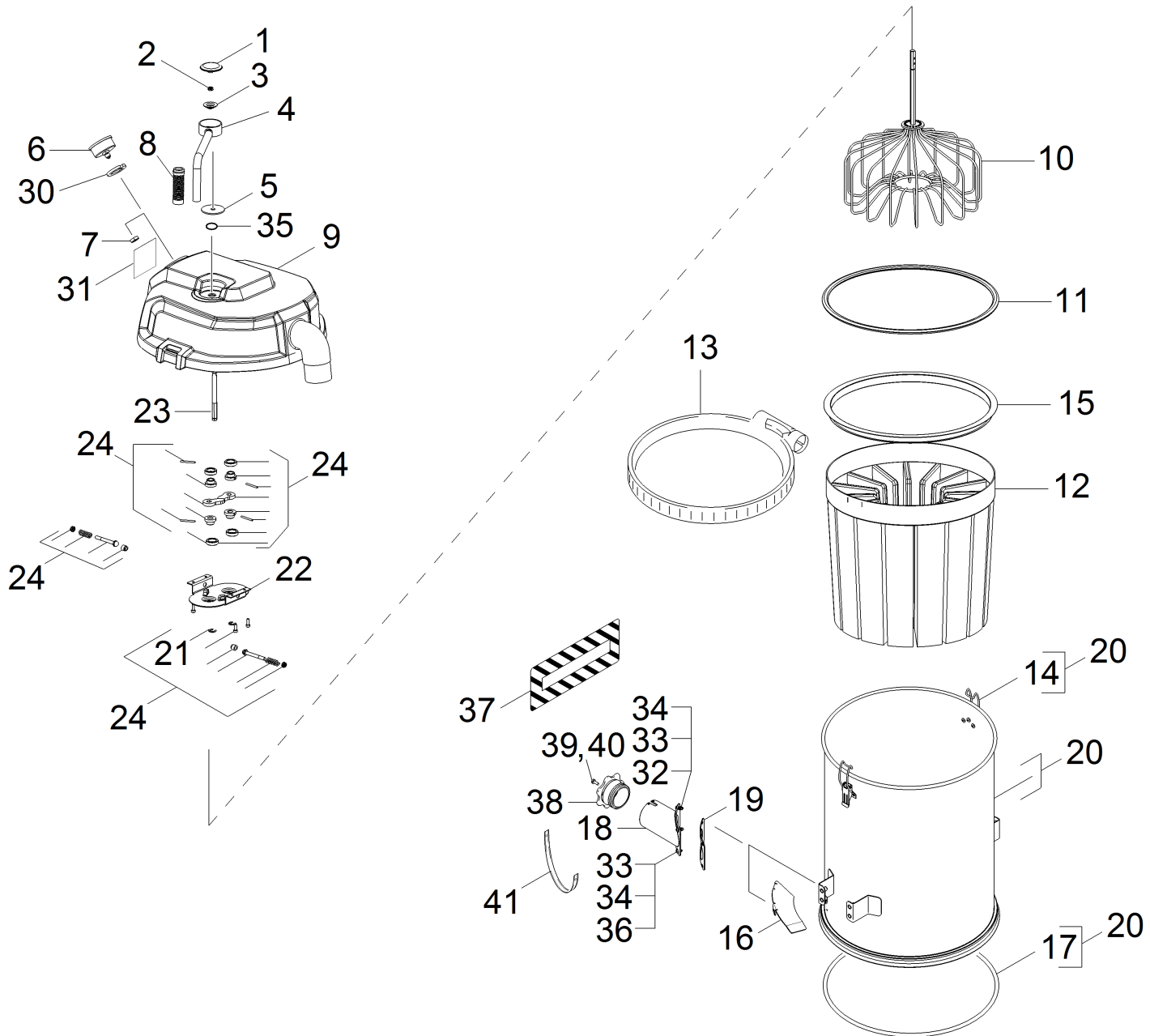
23 Extension hose PU el. DN52 5m (6.907-317.0)	160
23 Extension hose ME-PU el. DN42 3m (6.907-318.0)	162
23 Extension hose ME-PU el. DN42 5m (6.907-319.0)	164
23 Extension hose ME-PU el. DN52 3m (6.907-320.0)	166
23 Extension hose ME-PU el. DN52 5m (6.907-321.0)	168
26 Nozzle elastic plastics DN72 (6.902-198.0)	170

IVS 100/75 M (1.573-822.0)

POS	Article no.	Description	Quantity	Unit
4	5.977-671.0	Spare parts list IVS 100/75 M	1.000	ST

4 Spare parts list IVS 100/75 M (5.977-671.0)

POS	Article no.	Description	Quantity	Unit
40		Accessories overview industry vacuum cle	1.000	ST
10		Individual parts appliance top part	1.000	ST
50	2.273-001.0	Remote control	1.000	ST
30		Tank	1.000	ST
20		Vacuum motor	1.000	ST

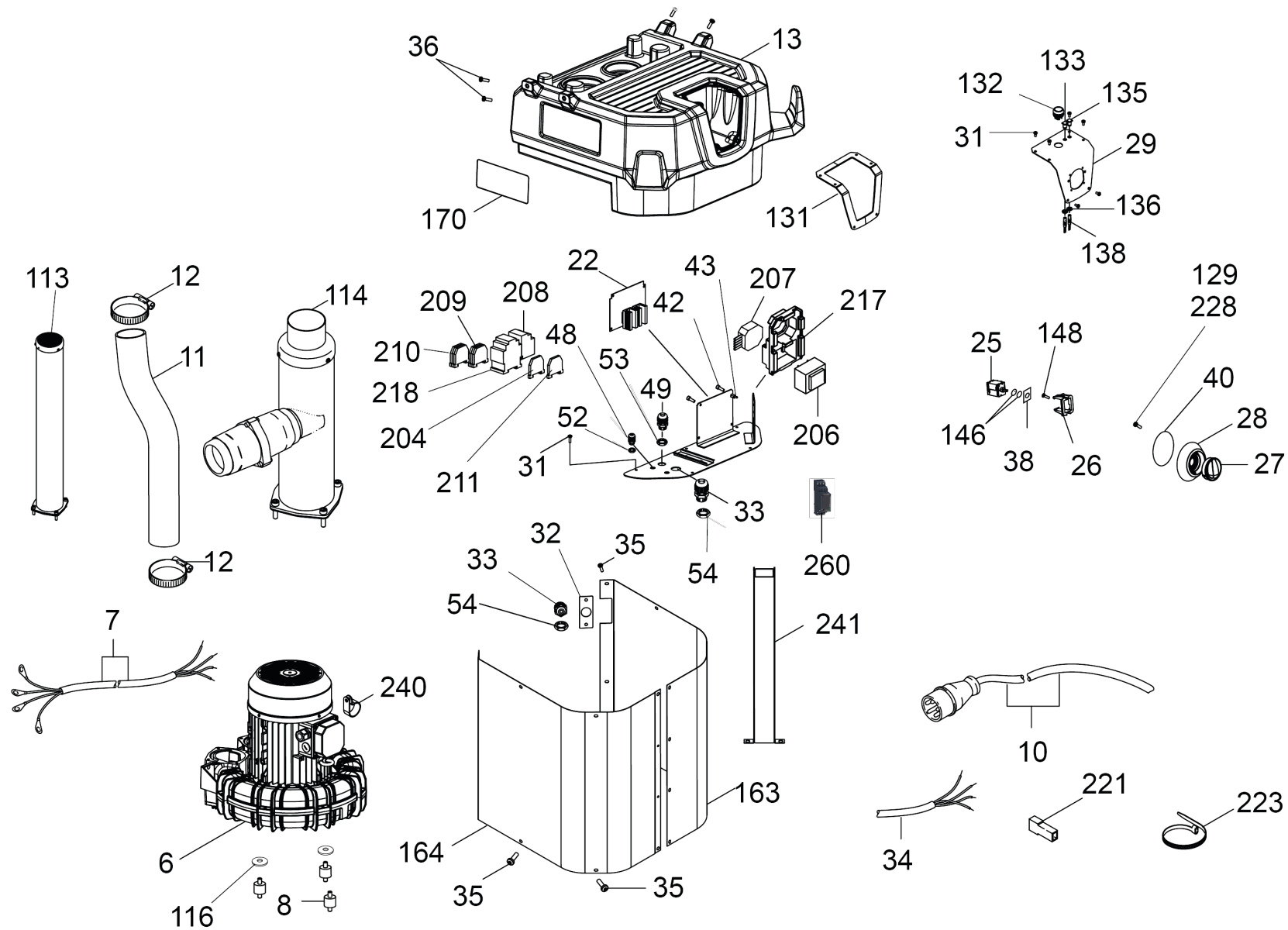


10 Individual parts appliance top part

POS	Article no.	Description	Quantity	Unit
16	5.640-738.0	Air guide	1.000	ST
1	5.326-000.0	Cap carrier handle	1.000	ST
40	7.311-334.0	Cap nut M6 -A1-50 DIN 917	1.000	ST
15	5.114-010.0	Centering ring	1.000	ST
13	9.480-557.0	Clamp Ø540mm x 9mm	1.000	ST
17	6.362-857.0	Cord cellular rubber D10	1.000	ST
9	5.069-518.3	Cover filter	1.000	ST
10	4.034-039.0	Filter vibrator	1.000	ST
12	6.907-651.0	Filter white PTFE	1.000	ST
8	6.439-006.0	Handhold rubber	1.000	ST
34	7.311-431.0	Hexagon nut M 5-1.4305 DIN 985	4.000	ST
2	7.311-432.0	Hexagon nut M 8-1.4305 DIN 985	1.000	ST
22	4.060-040.0	Housing gear	1.000	ST
37	5.393-962.0	Label label M	1.000	ST
31		Label signet glued XL Professional	1.000	ST
4	4.481-036.0	Lever filter cleaning	1.000	ST
14	6.375-727.0	Locking clip	2.000	ST
21	7.343-047.0	Lock washer 10-FST-A2E DIN 6799	2.000	ST
7	5.310-134.0	Nut 1/4 BSPT 521364	1.000	ST
35	6.362-151.0	O-Ring d. 10 x 2 NBR 70	1.000	ST
32	7.306-182.0	Pan head screw M5x16 -A2-70 ISO 14583	3.000	ST
38	5.132-190.0	Plug suction connection	1.000	ST
6	6.421-031.0	Pressure gauge	1.000	ST
20	4.071-251.3	Ring filter complete	1.000	ST
41	6.437-656.0	Rope	1.000	ST
36	7.306-181.0	Screw M 5x 12-A2-70 (In6Rd)	1.000	ST
39	7.306-193.0	Screw M6x16 -A2-70 (In6Rd)	1.000	ST
11	5.362-148.0	Seal	1.000	ST
30	5.362-013.0	Seal pressure gauge	1.000	ST
19	5.363-771.0	Seal suction nipple	1.000	ST
24	4.823-082.0	Set filter cleaning	1.000	ST
23	5.101-586.0	Shaft gear	1.000	ST
18	5.033-618.0	Suction nipple	1.000	ST

10 Individual parts appliance top part

POS	Article no.	Description	Quantity	Unit
3	5.116-246.0	Supporting disk	1.000	ST
5	5.116-237.0	Washer	1.000	ST
33	7.312-282.0	Washer 5 -A2 ISO 7093-1	5.000	ST

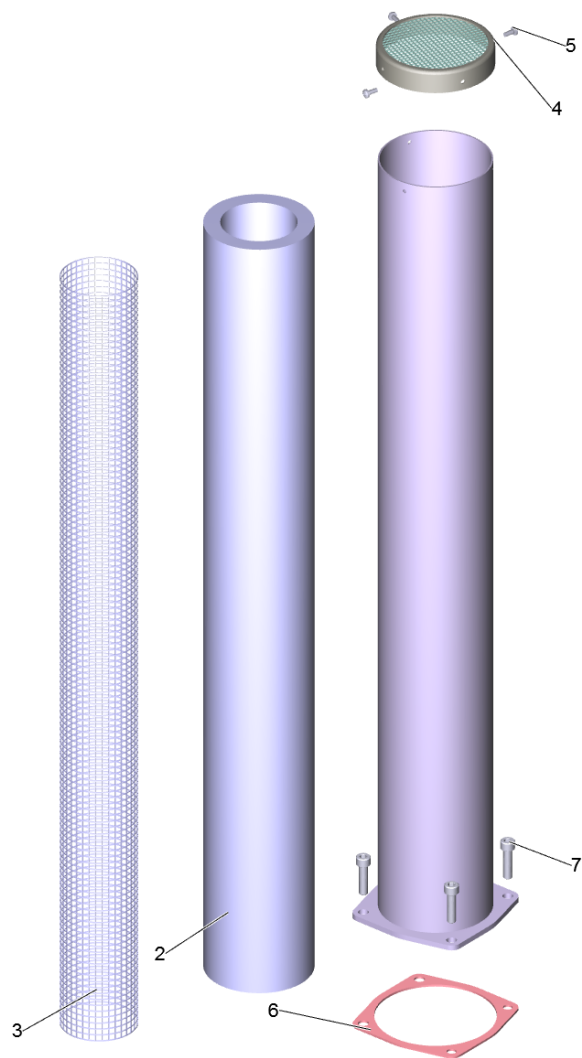


20 Vacuum motor

POS	Article no.	Description	Quantity	Unit
209	9.477-520.0	Binder protective conductor only for rep	3.000	ST
210	9.477-519.0	Binder protective conductor only for rep	3.000	ST
33	6.648-401.0	Cable gland black M25X1,5	2.000	ST
49	6.648-344.0	Cable gland grey M20X1,5	1.000	ST
48	6.641-006.0	Cable gland M12x1,5	2.000	ST
223	6.641-463.0	Cable tape	2.000	ST
7	6.650-825.0	Cable vac motor	1.000	ST
240	6.641-478.0	Clamp 22,0	1.000	ST
218	6.632-421.0	Contactora 7,5 kW / 220 V	1.000	ST
29	5.841-098.0	Control panel IVS 100/55 /75	1.000	ST
164	4.396-000.0	Covering vac motor	1.000	ST
163	4.396-001.0	Covering vac motor	1.000	ST
13	5.069-519.3	Cover vac motor	1.000	ST
43	6.646-437.0	Distance pin	4.000	ST
34	4.839-628.0	Electrical small parts IVS 100/75 M	1.000	ST
27	5.744-025.0	Handle	1.000	ST
136	6.310-183.0	Hexagon nut M10x0.75	2.000	ST
217	5.410-198.0	Holder	1.000	ST
26	5.394-906.0	Holder switch	1.000	ST
12	6.902-225.0	Hose clip Ø 60-80 mm	2.000	ST
221	6.647-748.0	Insulation sheath	1.000	ST
170	5.385-513.0	Label logo glued XL Professional	1.000	ST
135	6.651-671.0	Lens housing green	1.000	ST
133	6.651-674.0	Lens housing rot	1.000	ST
53	6.648-416.0	Locknut black M20	1.000	ST
54	6.648-206.0	Locknut black M25	2.000	ST
52	6.648-445.0	Locknut M12x1,5 CuZn	2.000	ST
204	6.644-561.0	Modular terminal 4-polig 2,5mm ²	1.000	ST
211	6.644-542.0	Modular terminal four-pole 2,5mm ²	1.000	ST
260	6.632-033.0	Monitoring relay	1.000	ST
146	6.362-487.0	O-Ring seal 5,7 X 1,9-NBR 70	2.000	ST
208	6.633-481.0	Overload relay	1.000	ST
138	6.651-038.0	Pilot lamp	1.000	ST

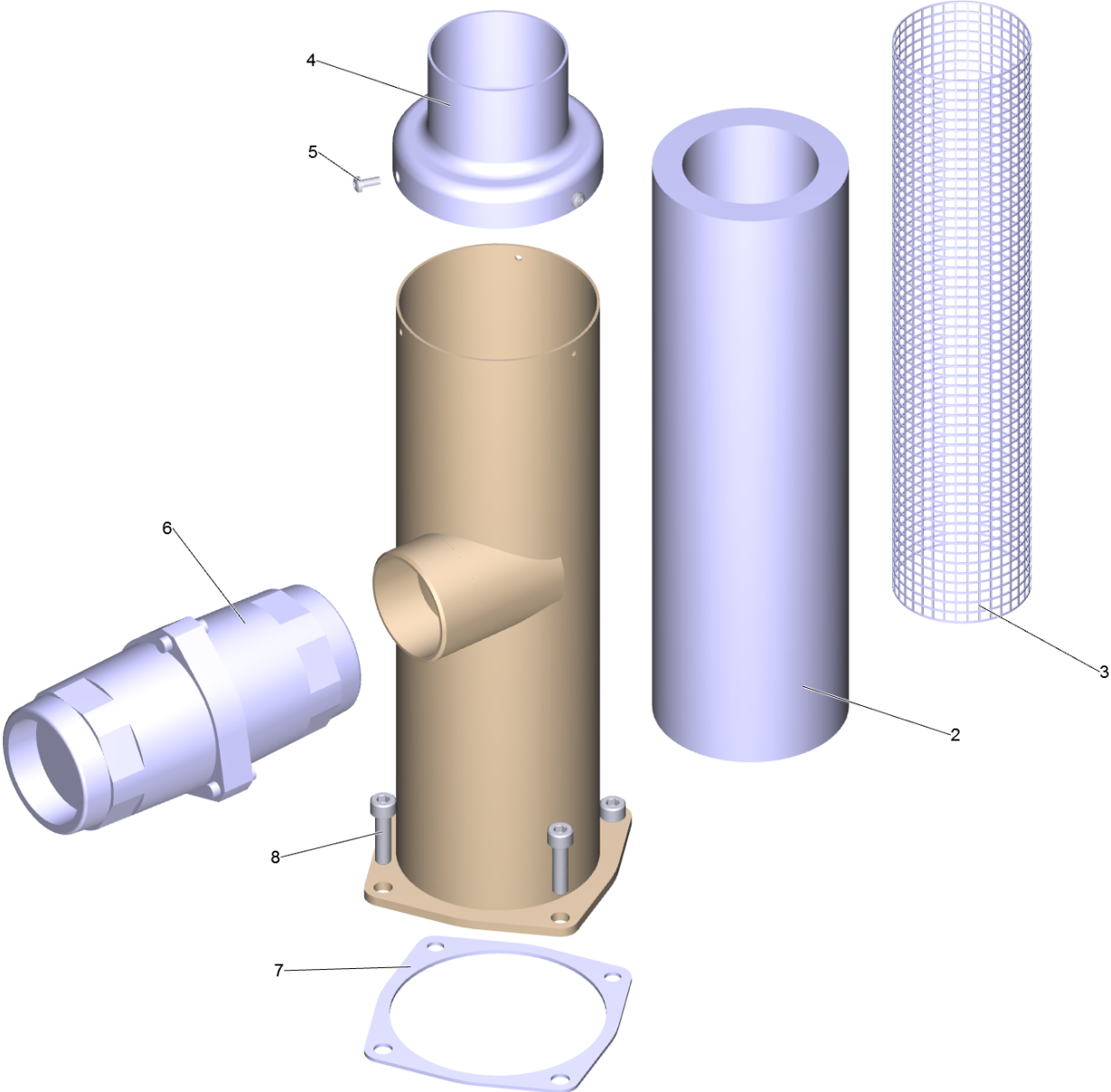
20 Vacuum motor

POS	Article no.	Description	Quantity	Unit
32	5.640-743.0	Plate holder	1.000	ST
10	6.650-823.0	Power cable rubber *EU 8,3m	1.000	ST
132	6.634-010.0	Pushbutton	1.000	ST
207	6.635-036.0	Receiver ELTAKO Type TF61L-230V	1.000	ST
28	5.033-965.0	Retainer handle	1.000	ST
25	6.630-425.0	Rotary switch	1.000	ST
8	6.339-045.0	Rubber buffer M8, 55-65 Shore A	3.000	ST
129	7.303-129.0	Screw 4x16 -10.9-R2R (K-In6Rd)	4.000	ST
148	7.303-117.0	Screw 4x20 -A2-70 (In6Rd)	2.000	ST
42	7.306-205.0	Screw M4x8 -A2-70 (In6Rd)	4.000	ST
31	7.306-180.0	Screw M5x10-A2-70 (In6Rd)	11.000	ST
36	7.306-186.0	Screw M5x40 -A2-70 (In6Rd)	4.000	ST
35	7.306-089.0	Screw M6x12 -8.8-R2R (In6Rd)	12.000	ST
131	5.363-323.0	Seal control panel	1.000	ST
38	5.363-799.0	Seal handle	1.000	ST
40	6.363-590.0	Seal string D4	1.000	ST
113	4.462-019.0	Silencer 7,5 kW	1.000	ST
114	4.462-020.0	Silencer supply air complete	1.000	ST
22	6.682-948.0	Smooth running HD 13/35-4	1.000	ST
241	5.036-326.0	Stay cover vac motor	1.000	ST
11	6.907-615.0	Suction hose filter vac motor	1.000	ST
206	6.622-184.0	Transformer 10VA 230V	1.000	ST
6	6.490-328.0	Vac motor 7,5 kW	1.000	ST
228	7.312-293.0	Washer 4-A2 ISO 7093-1	4.000	ST
116	7.312-285.0	Washer 10 -200HV-A2E ISO7093-1	2.000	ST



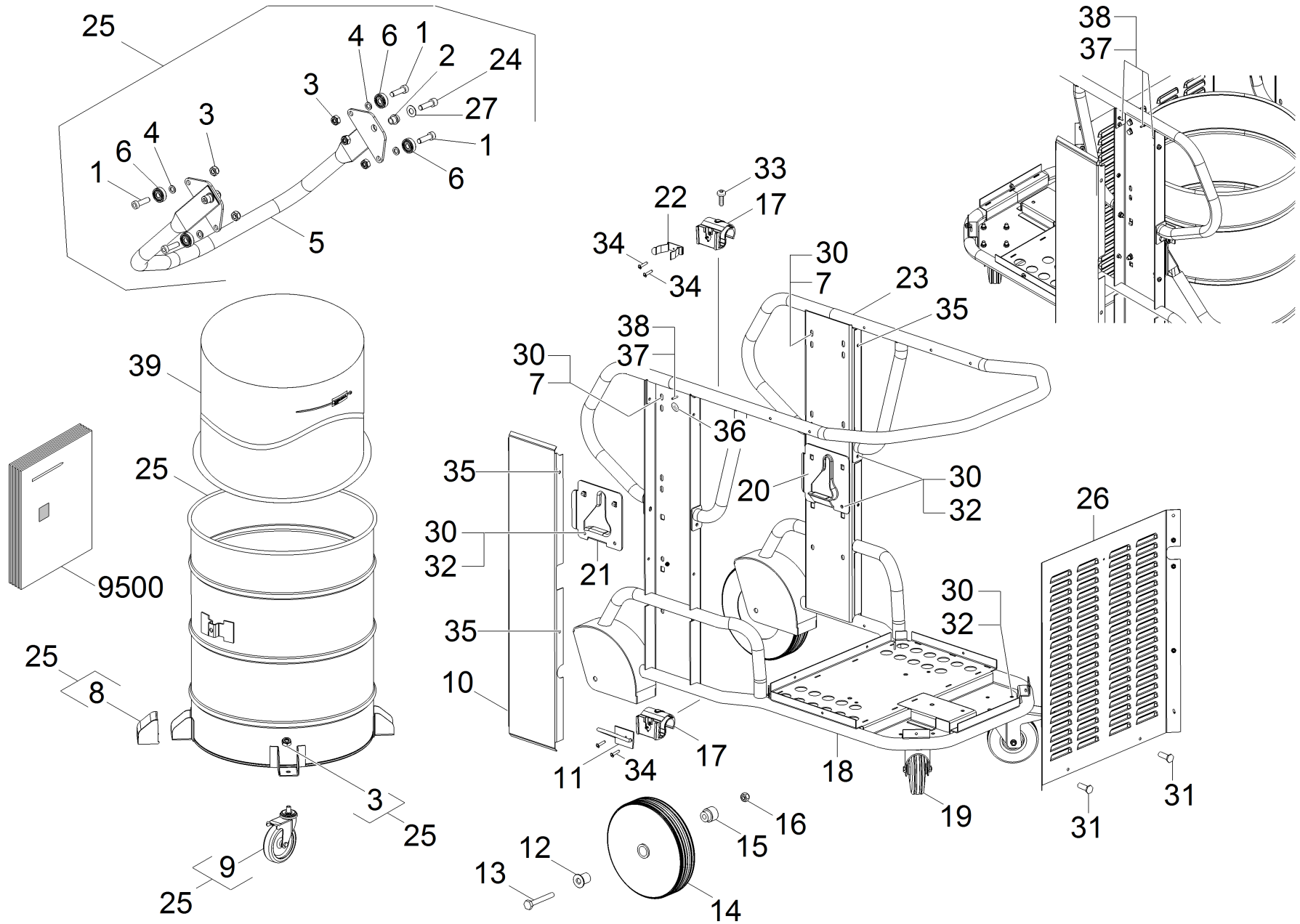
113 Silencer 7,5 kW (4.462-019.0)

POS	Article no.	Description	Quantity	Unit
4	4.091-002.0	Cover silencer	1.000	ST
2	5.365-037.0	Foam silencer	1.000	ST
3	5.195-566.0	Grate silencer	1.000	ST
7	7.304-516.0	Hexagonal head screw M8x20-A4-70 ISO 40	4.000	ST
5	7.306-205.0	Screw M4x8 -A2-70 (In6Rd)	3.000	ST
6	5.363-324.0	Seal	1.000	ST



114 Silencer supply air complete (4.462-020.0)

POS	Article no.	Description	Quantity	Unit
4	5.091-003.0	Adapter hose	1.000	ST
2	5.365-039.0	Foam silencer supply air	1.000	ST
3	5.195-570.0	Grate silencer supply air	1.000	ST
8	7.304-516.0	Hexagonal head screw M8x20-A4-70 ISO 40	4.000	ST
5	7.306-205.0	Screw M4x8 -A2-70 (In6Rd)	3.000	ST
7	5.363-324.0	Seal	1.000	ST
6	6.413-600.0	Valve 2"	1.000	ST

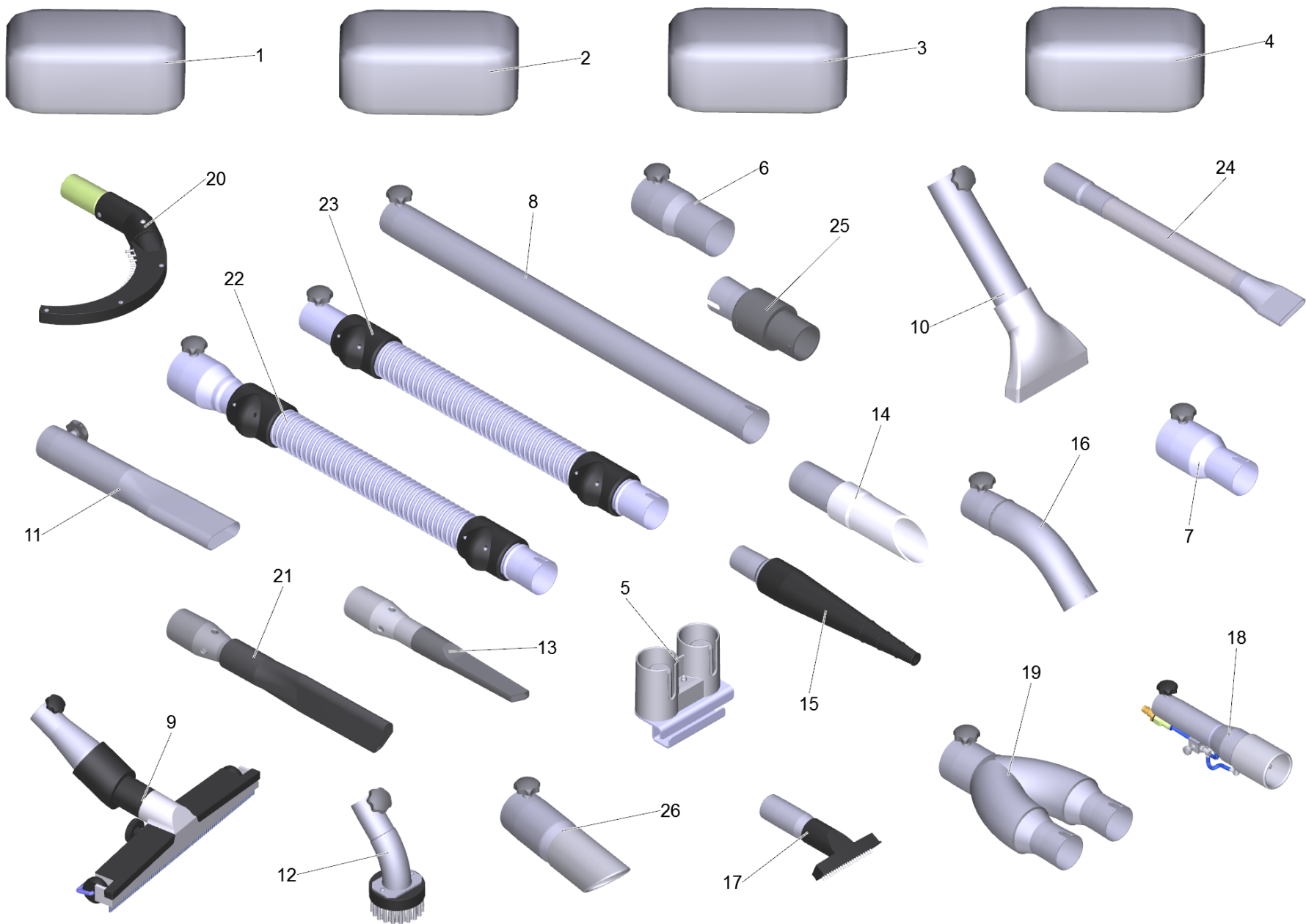


30 Tank

POS	Article no.	Description	Quantity	Unit	Foot note text
13	9.496-823.0		2.000	ST	
6	9.480-704.0	Ball bearing 10x30x9mm	4.000	ST	
18	4.050-042.0	Base frame	1.000	ST	
12	5.112-022.0	Bearing bush	2.000	ST	
15	5.112-027.0	Bearing bush inside	2.000	ST	
21	5.053-011.0	Bracket guide box	1.000	ST	
20	5.053-009.0	Bracket guide box	1.000	ST	
9	6.435-193.0	Castor 155mm	4.000	ST	
19	6.435-793.0	Castor 155mm	2.000	ST	
22	6.392-158.0	Clamp 50mm	1.000	ST	
17	5.037-515.0	Clip holder	2.000	ST	
8	5.032-111.0	Covering cap castor	4.000	ST	
26	5.396-407.0	Covering rear panel	1.000	ST	
10	5.051-724.0	Cover plate base frame	2.000	ST	
33	7.306-022.0	Cylinder head screw M 6x20-8.8-A2E ISO47	2.000	ST	
1	7.306-389.0	Cylinder head screw M10x30 8.8-ZNSHL DIN	4.000	ST	
24	7.306-074.0	Cylinder head screw M10x35-8.8-A3E ISO4	2.000	ST	
39	6.907-336.0	Disposal bag packaged 100l, 5x	1.000	ZST	
2	5.110-067.0	Flanged bushing	2.000	ST	
5	4.034-038.0	Hand grip	1.000	ST	
30	7.304-516.0	Hexagonal head screw M8x20-A4-70 ISO 40	24.000	ST	
37	7.311-001.0	Hexagon nut M4 -8-A2E ISO 4032	9.000	ST	
32	7.311-432.0	Hexagon nut M 8-1.4305 DIN 985	19.000	ST	
3	7.311-423.0	Hexagon nut M10 -04-A2E DIN 985	6.000	ST	
16	7.311-515.0	Hexagon nut M12-8-A2E ISO 7040	2.000	ST	
36	6.643-145.0	Label earthing	7.000	ST	
11	4.034-047.0	Retaining bracket	1.000	ST	
27	5.115-036.0	Rubber washer	2.000	ST	
34	7.303-084.0	Screw 4x25 -10.9-R2R (K-In6Rd)	4.000	ST	
31	7.306-089.0	Screw M6x12 -8.8-R2R (In6Rd)	20.000	ST	
35	7.306-193.0	Screw M6x16 -A2-70 (In6Rd)	8.000	ST	
38	7.312-230.0	Serrated lock washer A4,3-FSt-A3E DIN67	18.000	ST	
9500	6.907-646.0	Set bag industry vacuum cleaner 5 St.	1.000	ST	SPECIAL ACCESSORIES

30 Tank

POS	Article no.	Description	Quantity	Unit	Foot note text
23	4.050-043.0	Shearing shackle	1.000	ST	
4	5.114-008.0	Spacer ring	4.000	ST	
25	4.071-250.3	Tank complete	1.000	ST	
7	7.312-017.0	Washer 8-A2 ISO 7089	8.000	ST	
14	6.435-312.0	Wheel D250	2.000	ST	



40 Accessories overview industry vacuum cle

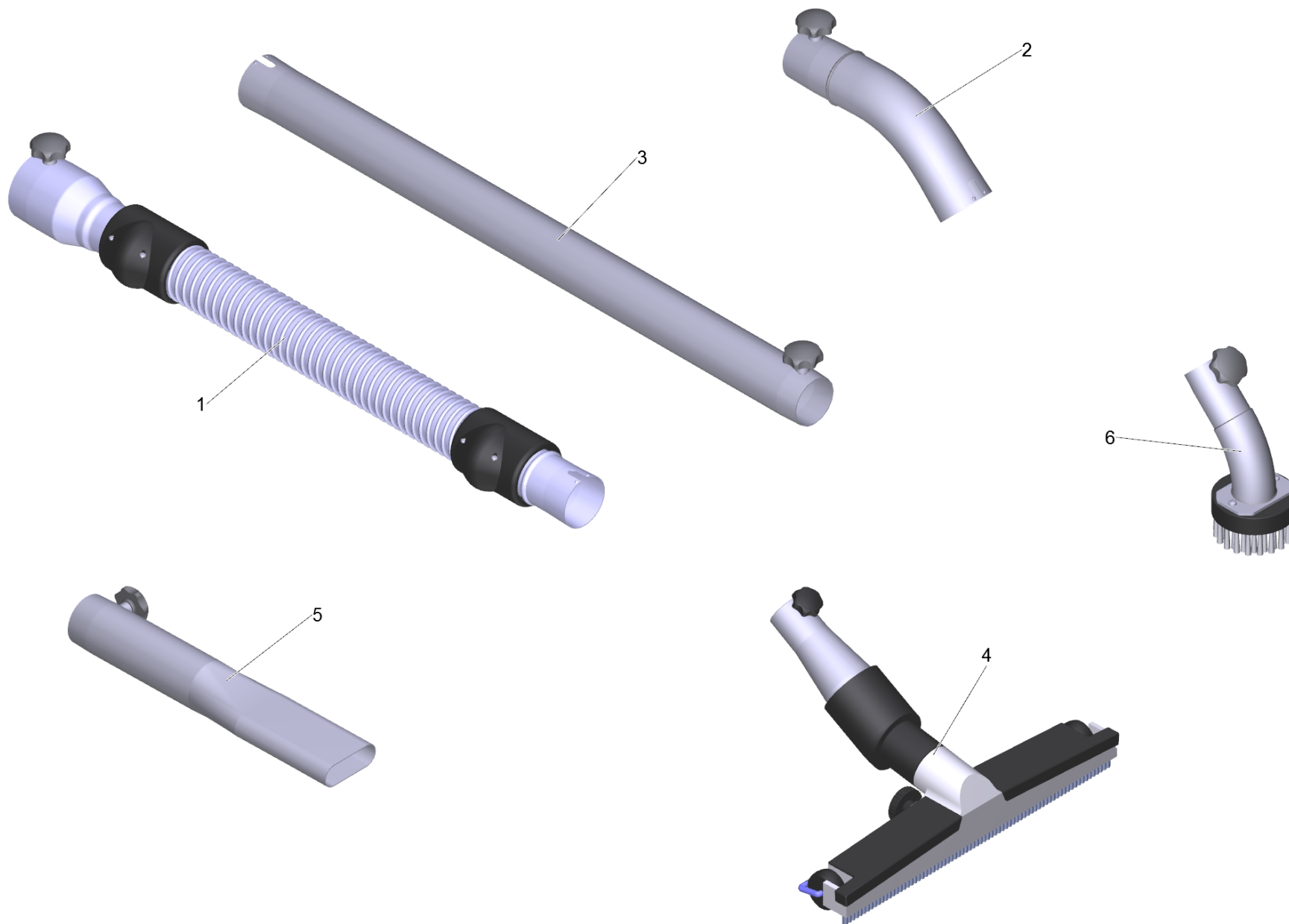
POS	Article no.	Description	Quantity	Unit
5	4.645-412.0	Accessories holder complete	1.000	ST
21	6.902-210.0	Crevice nozzle DN42	1.000	ST
21	6.902-211.0	Crevice nozzle DN52	1.000	ST
24	6.902-190.0	Crevice nozzle flexible DN42, 10mm	1.000	ST
13	6.902-195.0	Crevice nozzle plastics long DN42	1.000	ST
13	6.902-194.0	Crevice nozzle plastics long DN52	1.000	ST
11	6.902-189.0	Crevice nozzle zinc-plated 17mm DN52	1.000	ST
11	6.902-191.0	Crevice nozzle zinc-plated 28mm DN72	1.000	ST
16	6.902-202.0	Elbow coated el. DN42	1.000	ST
16	6.902-201.0	Elbow coated el. DN52	1.000	ST
16	6.902-203.0	Elbow coated el. DN72	1.000	ST
23	6.907-318.0	Extension hose ME-PU el. DN42 3m	1.000	ST
23	6.907-319.0	Extension hose ME-PU el. DN42 5m	1.000	ST
23	6.907-320.0	Extension hose ME-PU el. DN52 3m	1.000	ST
23	6.907-321.0	Extension hose ME-PU el. DN52 5m	1.000	ST
23	6.907-314.0	Extension hose PU el. DN42 3m	1.000	ST
23	6.907-315.0	Extension hose PU el. DN42 5m	1.000	ST
23	6.907-316.0	Extension hose PU el. DN52 3m	1.000	ST
23	6.907-317.0	Extension hose PU el. DN52 5m	1.000	ST
23	6.907-310.0	Extension hose PVC el. DN42 3m	1.000	ST
23	6.907-311.0	Extension hose PVC el. DN42 5m	1.000	ST
23	6.907-312.0	Extension hose PVC el. DN52 3m	1.000	ST
23	6.907-313.0	Extension hose PVC el. DN52 5m	1.000	ST
9	6.902-185.0	Multi-purpose nozzle 370mm DN42	1.000	ST
9	6.902-184.0	Multi-purpose nozzle 370mm DN52	1.000	ST
9	6.902-213.0	Multi-purpose nozzle 370mm el. leit., DN	1.000	ST
9	6.902-186.0	Multi-purpose nozzle 500mm DN52	1.000	ST
14	6.902-197.0	Nozzle elastic plastics DN42	1.000	ST
14	6.902-196.0	Nozzle elastic plastics DN52	1.000	ST
26	6.902-198.0	Nozzle elastic plastics DN72	1.000	ST
20	6.902-207.0	Pipe cleaning nozzle bis 200mm DN42	1.000	ST
7	6.902-179.0	Reducer DN52 auf DN42	1.000	ST
7	6.902-180.0	Reducer DN72 auf DN52	1.000	ST

40 Accessories overview industry vacuum cle

POS	Article no.	Description	Quantity	Unit
18	6.902-205.0	Suction and blow nozzle straight DN42	1.000	ST
12	6.902-193.0	Suction brush round 45° DN42	1.000	ST
12	6.902-192.0	Suction brush round 45° DN52	1.000	ST
22	6.907-304.0	Suction hose ME-PU el. DN42 3m	1.000	ST
22	6.907-305.0	Suction hose ME-PU el. DN42 5m	1.000	ST
22	6.907-306.0	Suction hose ME-PU el. DN52 3m	1.000	ST
22	6.907-307.0	Suction hose ME-PU el. DN52 5m	1.000	ST
22	6.907-308.0	Suction hose ME-PU el. DN72 3m	1.000	ST
22	6.907-309.0	Suction hose ME-PU el. DN72 5m	1.000	ST
22	6.907-298.0	Suction hose PU el. DN42 3m	1.000	ST
22	6.907-299.0	Suction hose PU el. DN42 5m	1.000	ST
22	6.907-300.0	Suction hose PU el. DN52 3m	1.000	ST
22	6.907-301.0	Suction hose PU el. DN52 5m	1.000	ST
22	6.907-302.0	Suction hose PU el. DN72 3m	1.000	ST
22	6.907-303.0	Suction hose PU el. DN72 5m	1.000	ST
22	6.907-292.0	Suction hose PVC el. DN42 3m	1.000	ST
22	6.907-293.0	Suction hose PVC el. DN42 5m	1.000	ST
22	6.907-294.0	Suction hose PVC el. DN52 3m	1.000	ST
22	6.907-295.0	Suction hose PVC el. DN52 5m	1.000	ST
22	6.907-296.0	Suction hose PVC el. DN72 3m	1.000	ST
22	6.907-297.0	Suction hose PVC el. DN72 5m	1.000	ST
15	6.902-200.0	Suction nozzle rubber round DN42	1.000	ST
15	6.902-199.0	Suction nozzle rubber round DN52	1.000	ST
4	2.869-109.0	Suction set dry coarse particles DN52	1.000	ST
1	2.869-106.0	Suction set dry fine dust DN42	1.000	ST
2	2.869-107.0	Suction set liquids with solids	1.000	ST
3	2.869-108.0	Suction set solids little liquid	1.000	ST
8	6.902-182.0	Suction tube coated 750mm, el. DN42	1.000	ST
8	6.902-181.0	Suction tube coated 850mm, el. DN52	1.000	ST
17	6.902-204.0	Surface brush 130mm DN42, Ex-Schutz	1.000	ST
10	6.902-188.0	Surface nozzle aluminium 150mm DN42	1.000	ST
10	6.902-187.0	Surface nozzle aluminium 150mm DN52	1.000	ST
25	6.902-002.0	Vacuum cleaner connection DN61 auf DN52	1.000	ST

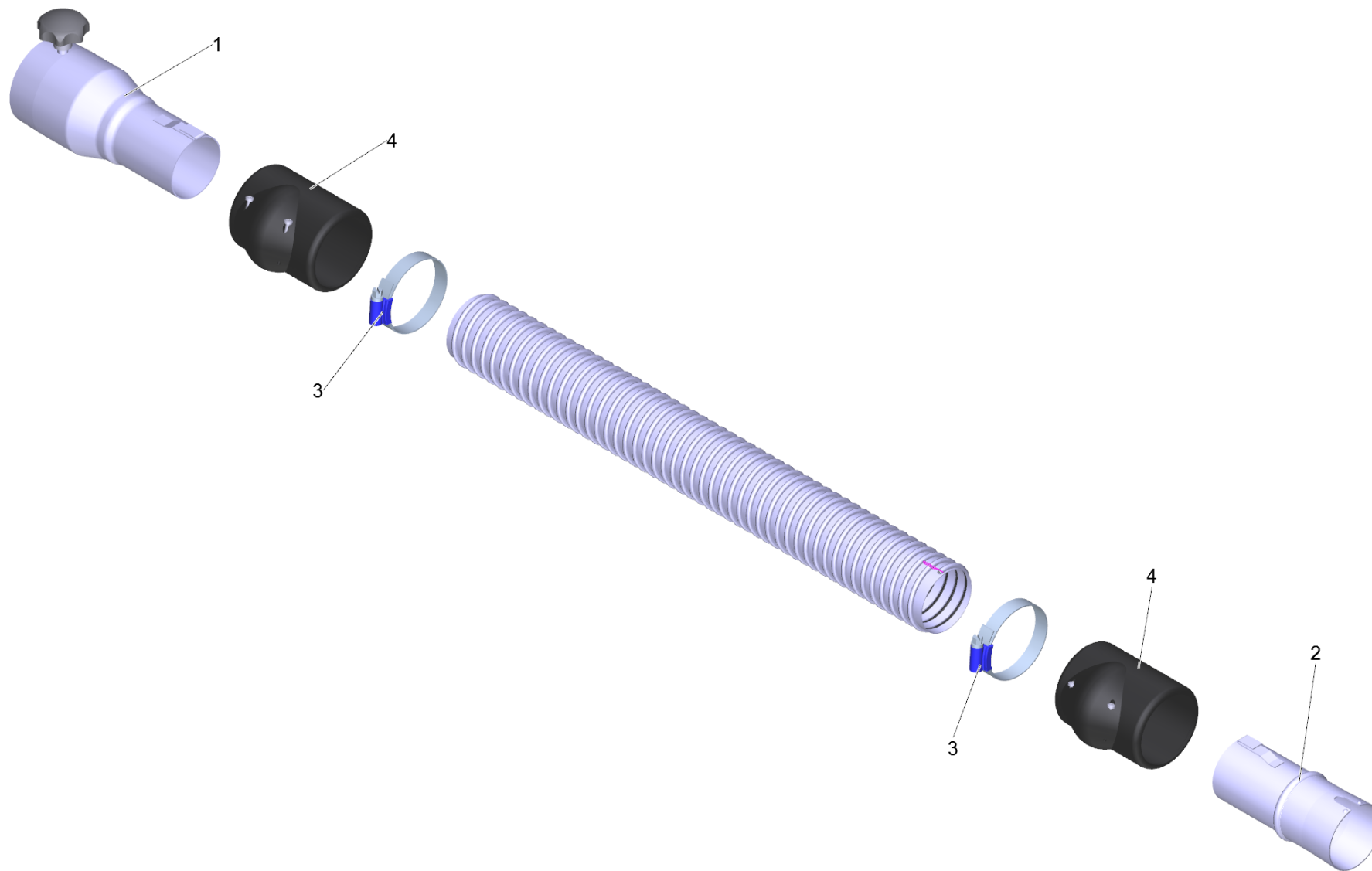
40 Accessories overview industry vacuum cle

POS	Article no.	Description	Quantity	Unit
6	6.902-001.0	Vacuum cleaner connection DN72 auf DN61	1.000	ST
19	6.902-206.0	Y-Piece DN72 auf 2x DN52	1.000	ST



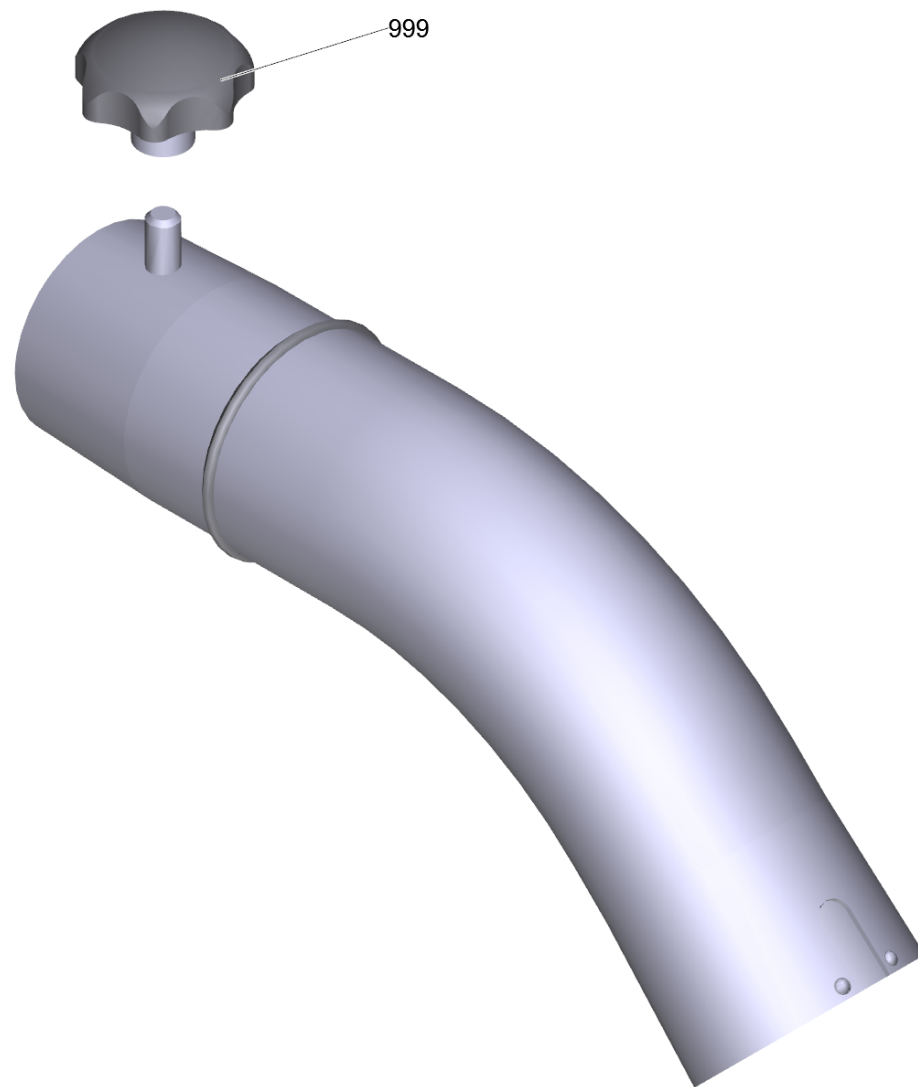
1 Suction set dry fine dust DN42 (2.869-106.0)

POS	Article no.	Description	Quantity	Unit
5	6.902-195.0	Crevice nozzle plastics long DN42	1.000	ST
2	6.902-202.0	Elbow coated el. DN42	1.000	ST
4	6.902-185.0	Multi-purpose nozzle 370mm DN42	1.000	ST
6	6.902-193.0	Suction brush round 45° DN42	1.000	ST
1	6.907-292.0	Suction hose PVC el. DN42 3m	1.000	ST
3	6.902-182.0	Suction tube coated 750mm, el. DN42	1.000	ST



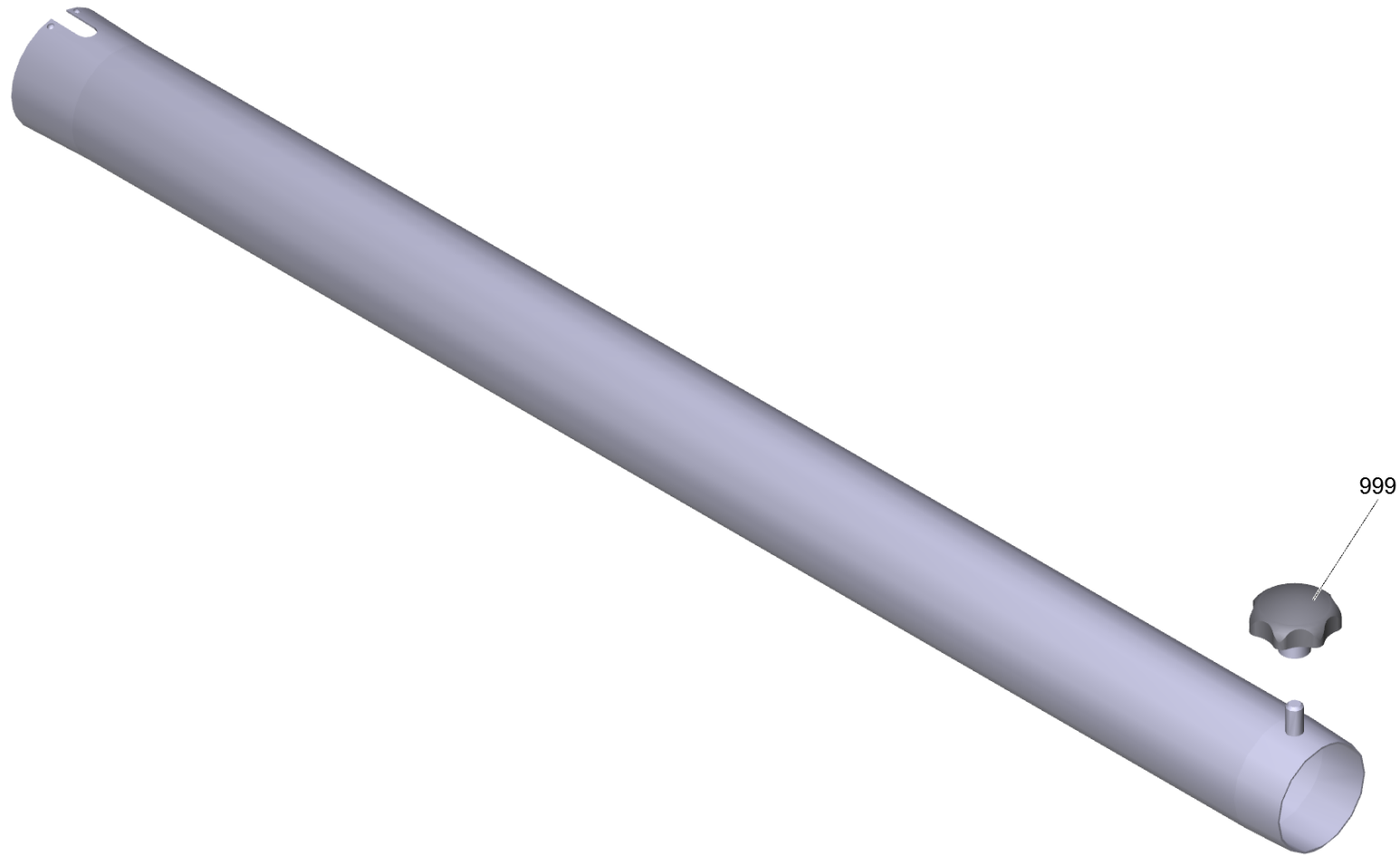
1 Suction hose PVC el. DN42 3m (6.907-292.0)

POS	Article no.	Description	Quantity	Unit
2	6.902-172.0	Accessories connection rotatable DN42	1.000	ST
3	6.902-167.0	Hose clip 40-60 mm	2.000	ST
4	6.902-171.0	Hose collar DN42	2.000	ST
999	7.303-363.0	Sheet metal screw ST3,5X16,0-A2-20H-C-H	1.000	ST
999	6.303-554.0	Star grip M8	1.000	ST
1	6.902-178.0	Vacuum cleaner connection DN72 auf DN42	1.000	ST



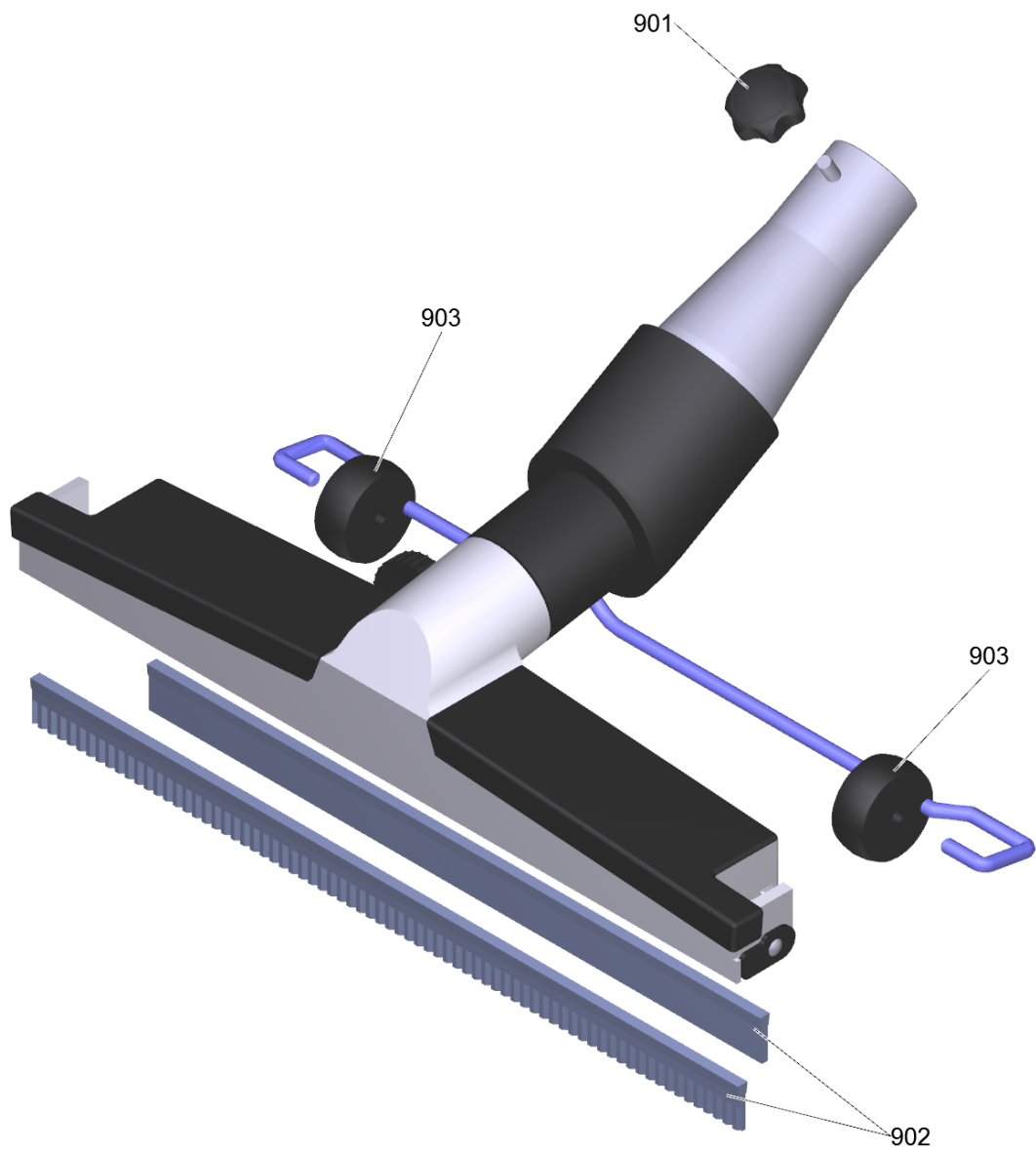
2 Elbow coated el. DN42 (6.902-202.0)

POS	Article no.	Description	Quantity	Unit
999	6.303-555.0	Star grip M6	1.000	ST



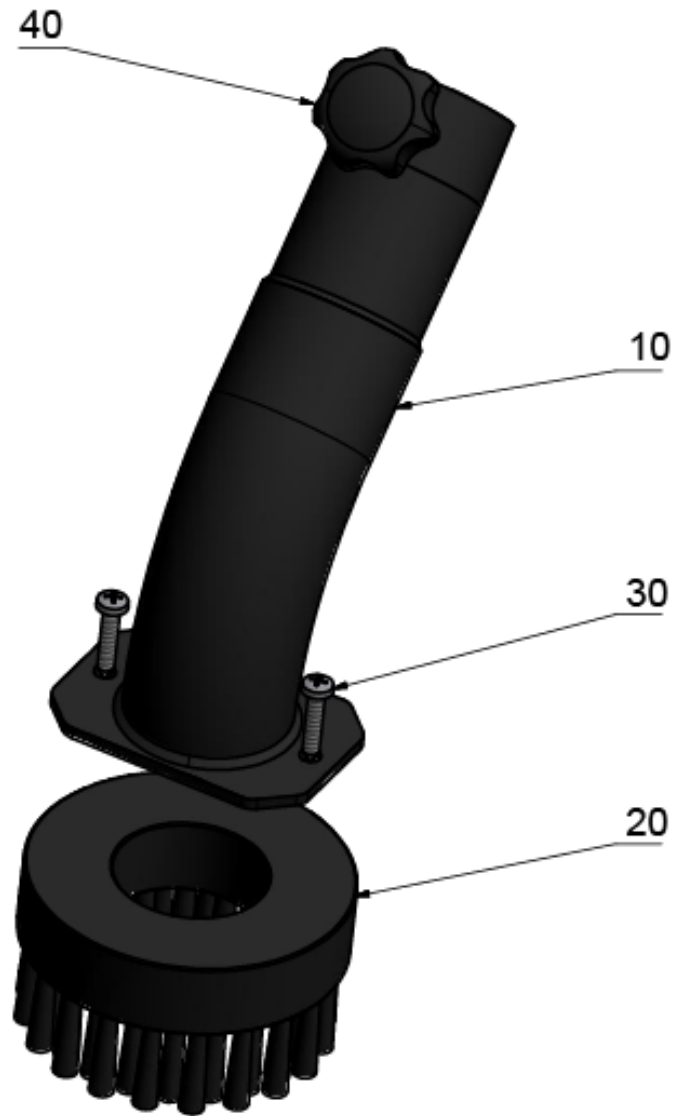
3 Suction tube coated 750mm, el. DN42 (6.902-182.0)

POS	Article no.	Description	Quantity	Unit
999	6.303-555.0	Star grip M6	1.000	ST



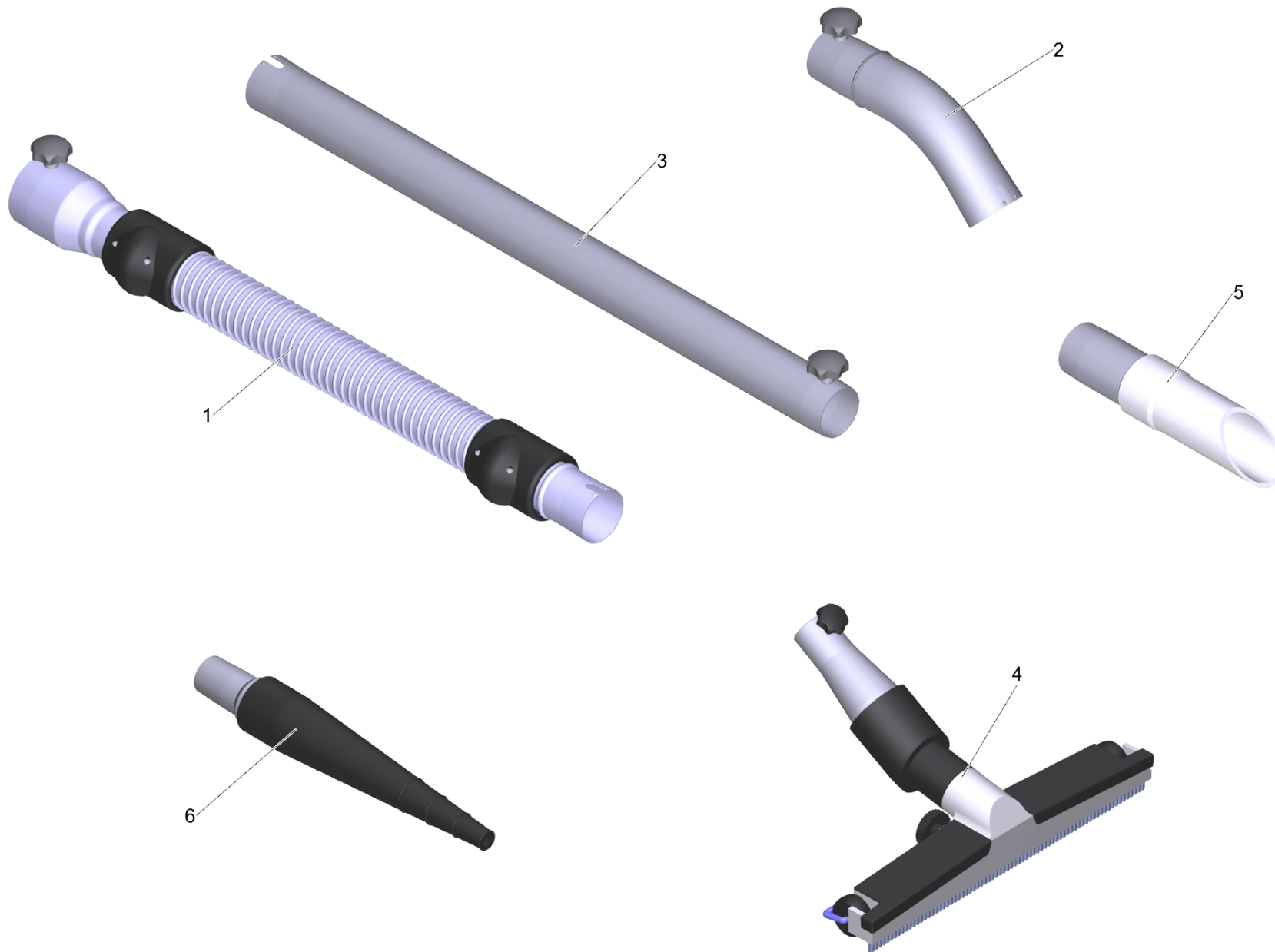
4 Multi-purpose nozzle 370mm DN42 (6.902-185.0)

POS	Article no.	Description	Quantity	Unit
902	6.902-215.0	Brush strips set 370mm	1.000	ST
903	9.980-747.0	Roller for floor nozzle 370mm/500mm	2.000	ST
901	6.303-555.0	Star grip M6	1.000	ST



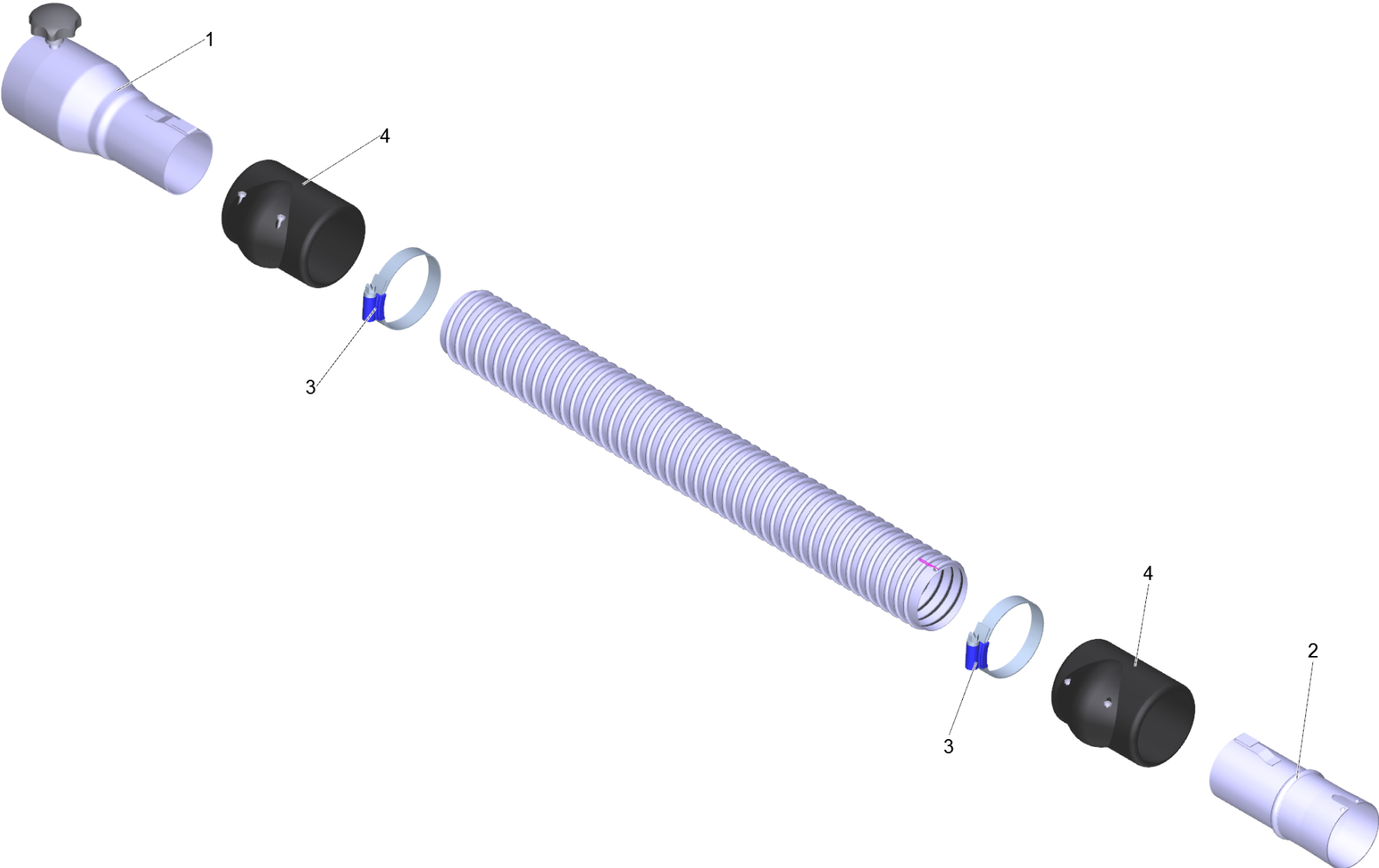
6 Suction brush round 45° DN42 (6.902-193.0)

POS	Article no.	Description	Quantity	Unit
10	9.976-380.0	Connecting piece with outside cone D40	1.000	ST
20	9.980-753.0	Disc brush for suction brush ø82mm	1.000	ST
30	9.974-177.0	Sheet metal screw 4,2x 22mm-vz DIN 7981	2.000	ST
40	6.303-555.0	Star grip M6	1.000	ST



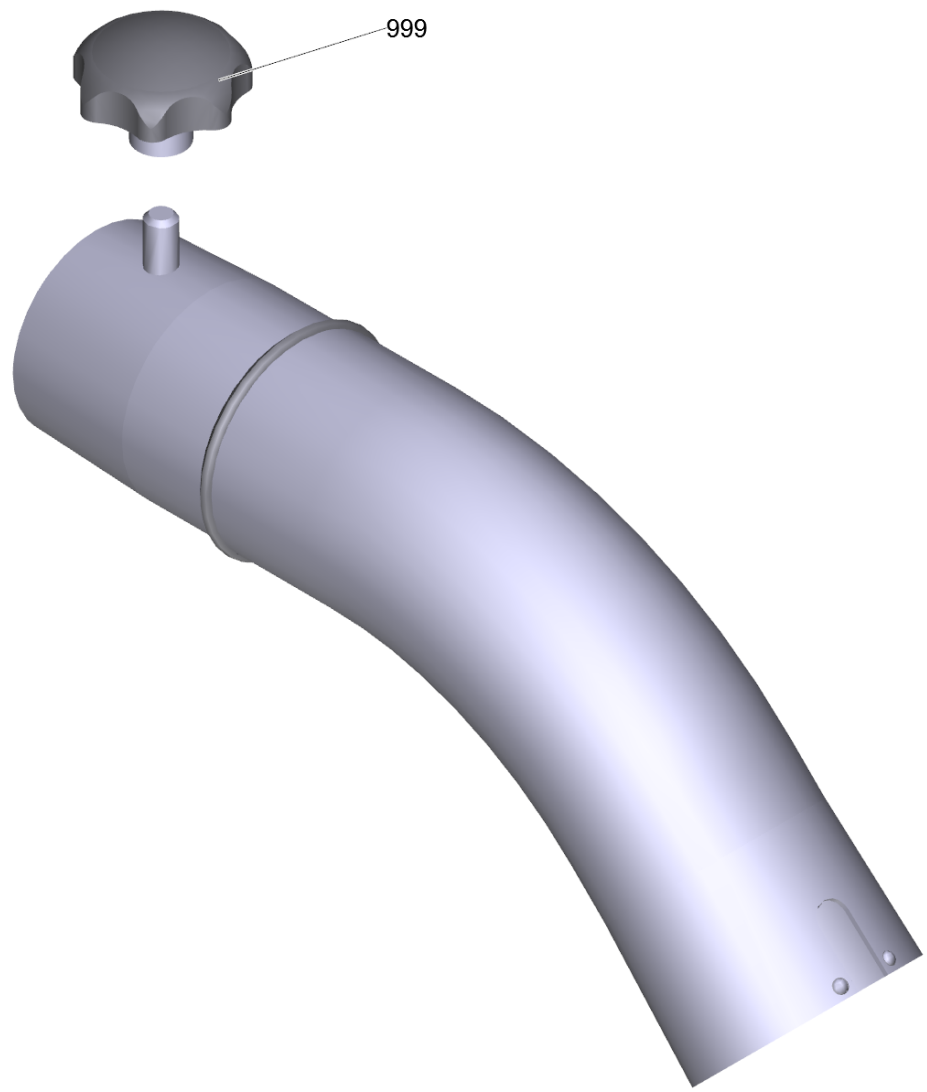
2 Suction set liquids with solids (2.869-107.0)

POS	Article no.	Description	Quantity	Unit
2	6.902-202.0	Elbow coated el. DN42	1.000	ST
4	6.902-185.0	Multi-purpose nozzle 370mm DN42	1.000	ST
5	6.902-197.0	Nozzle elastic plastics DN42	1.000	ST
1	6.907-304.0	Suction hose ME-PU el. DN42 3m	1.000	ST
6	6.902-200.0	Suction nozzle rubber round DN42	1.000	ST
3	6.902-182.0	Suction tube coated 750mm, el. DN42	1.000	ST



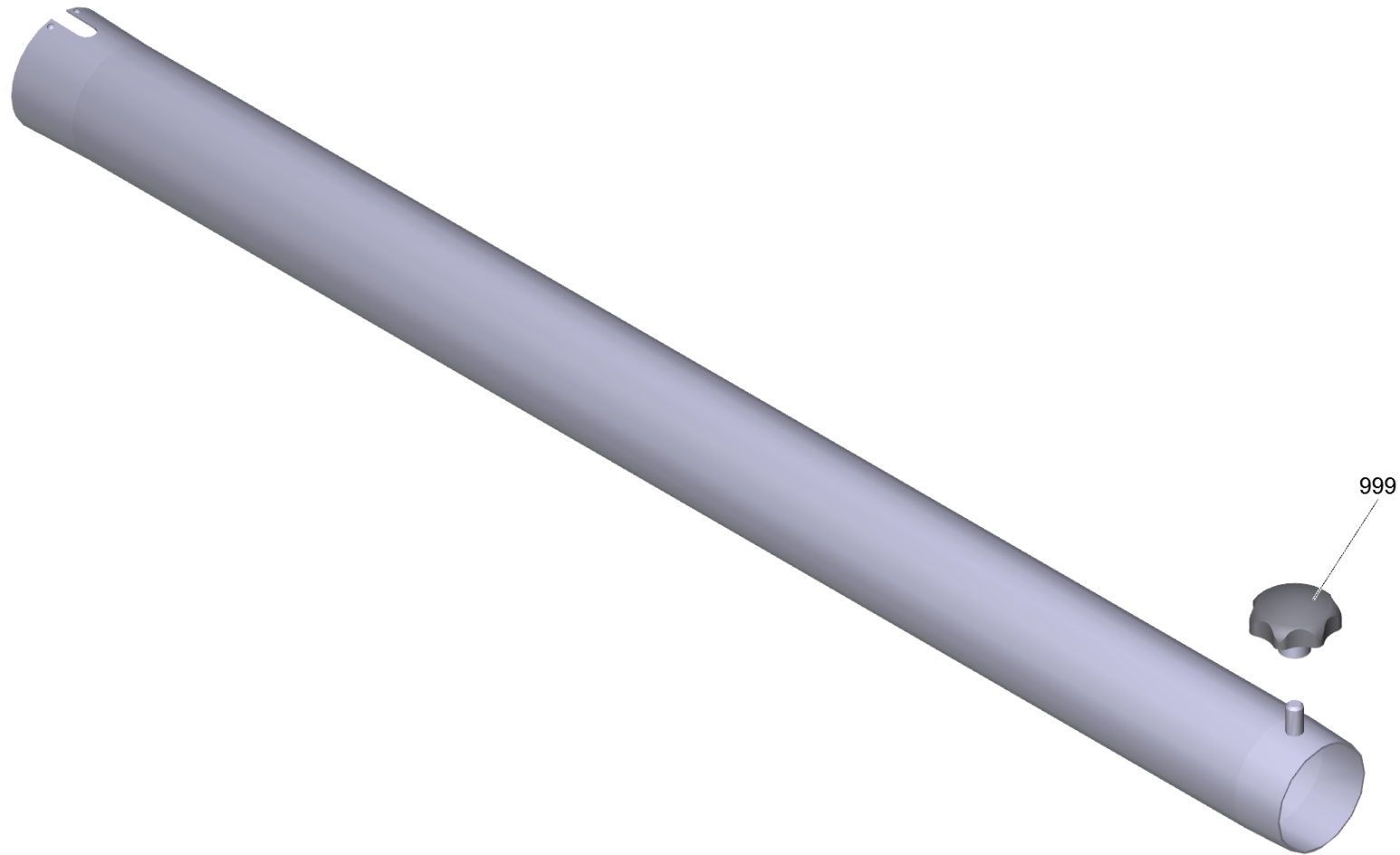
1 Suction hose ME-PU el. DN42 3m (6.907-304.0)

POS	Article no.	Description	Quantity	Unit
2	6.902-172.0	Accessories connection rotatable DN42	1.000	ST
3	6.902-167.0	Hose clip 40-60 mm	2.000	ST
4	6.902-171.0	Hose collar DN42	2.000	ST
999	7.303-363.0	Sheet metal screw ST3,5X16,0-A2-20H-C-H	1.000	ST
999	6.303-554.0	Star grip M8	1.000	ST
1	6.902-178.0	Vacuum cleaner connection DN72 auf DN42	1.000	ST



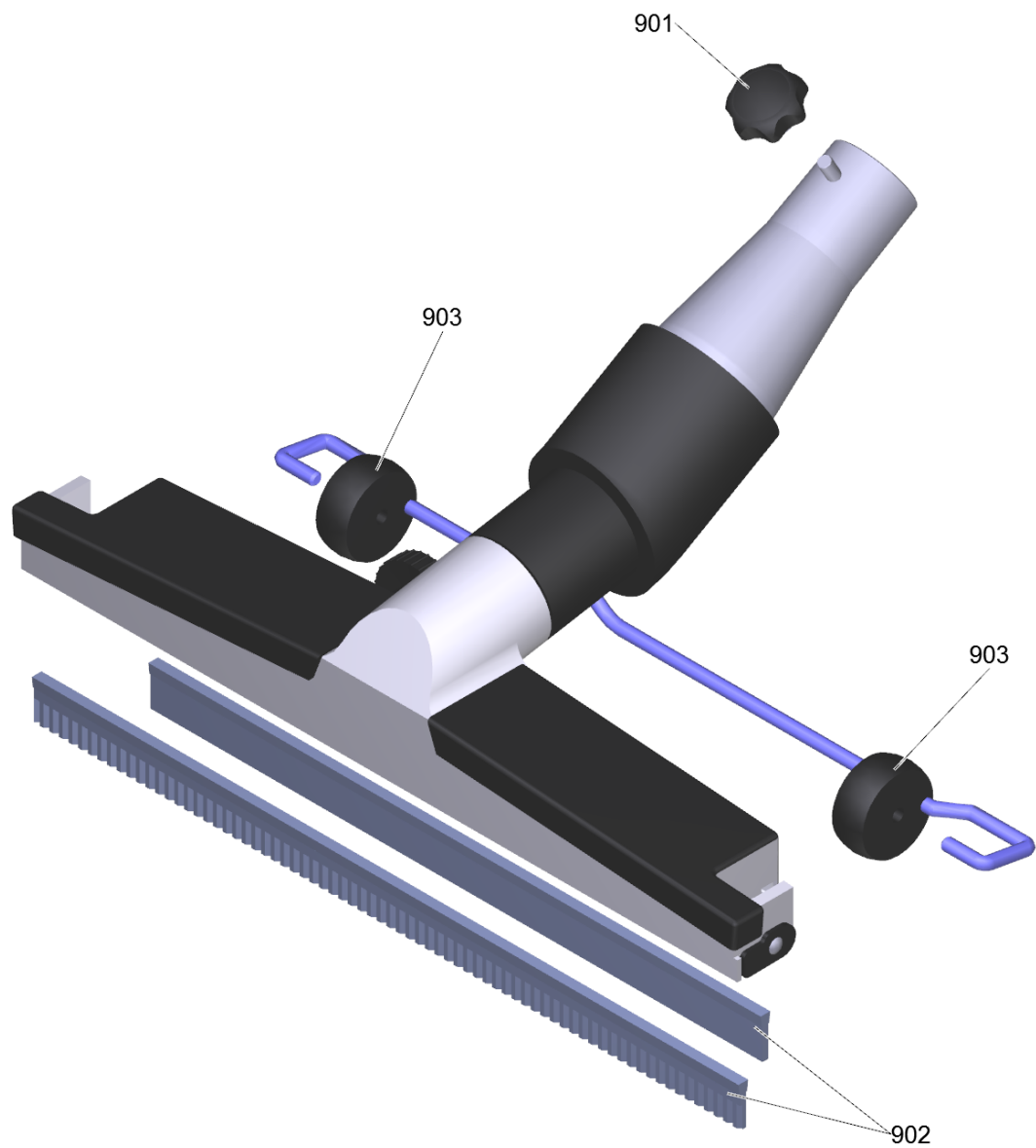
2 Elbow coated el. DN42 (6.902-202.0)

POS	Article no.	Description	Quantity	Unit
999	6.303-555.0	Star grip M6	1.000	ST



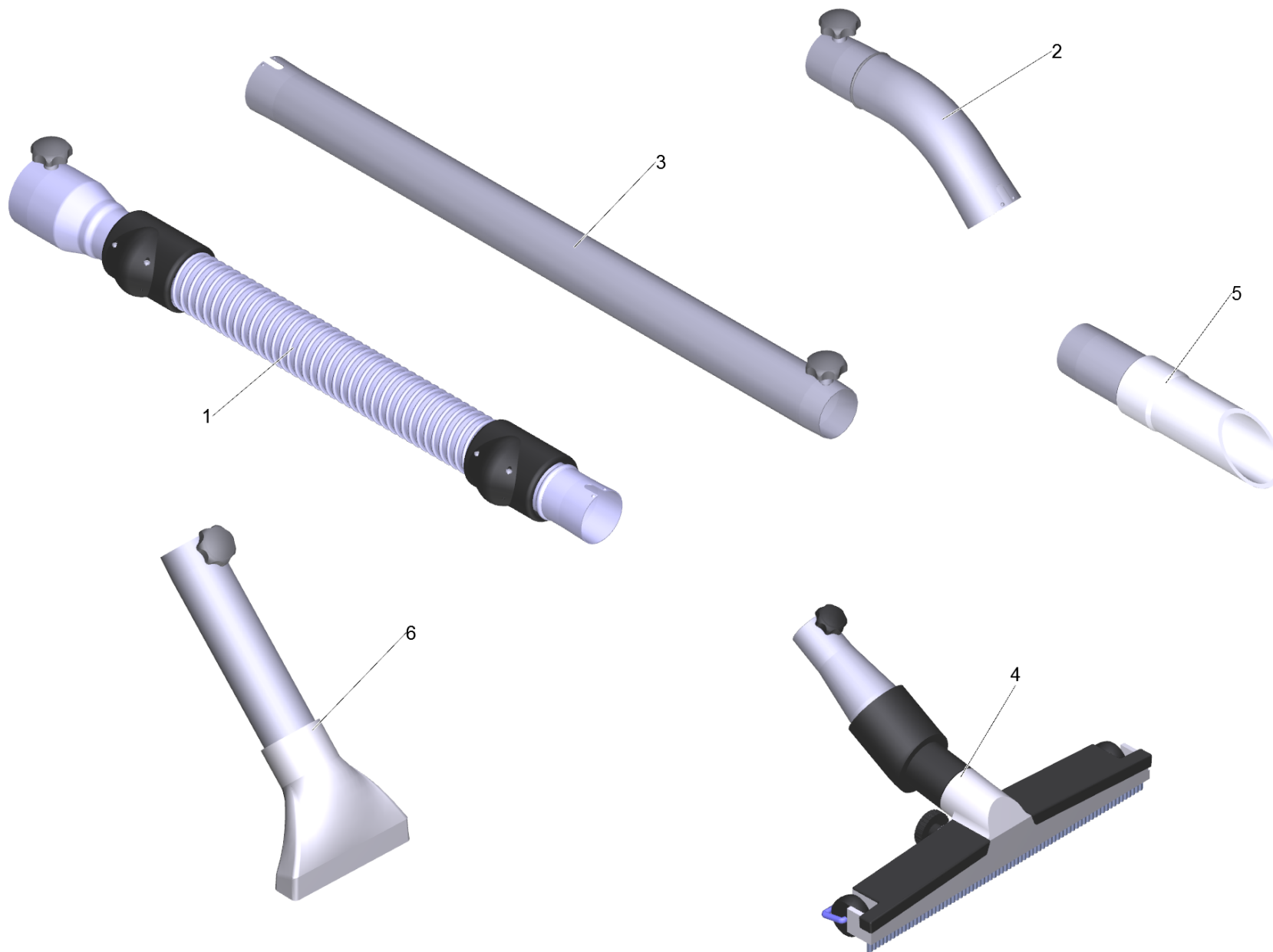
3 Suction tube coated 750mm, el. DN42 (6.902-182.0)

POS	Article no.	Description	Quantity	Unit
999	6.303-555.0	Star grip M6	1.000	ST



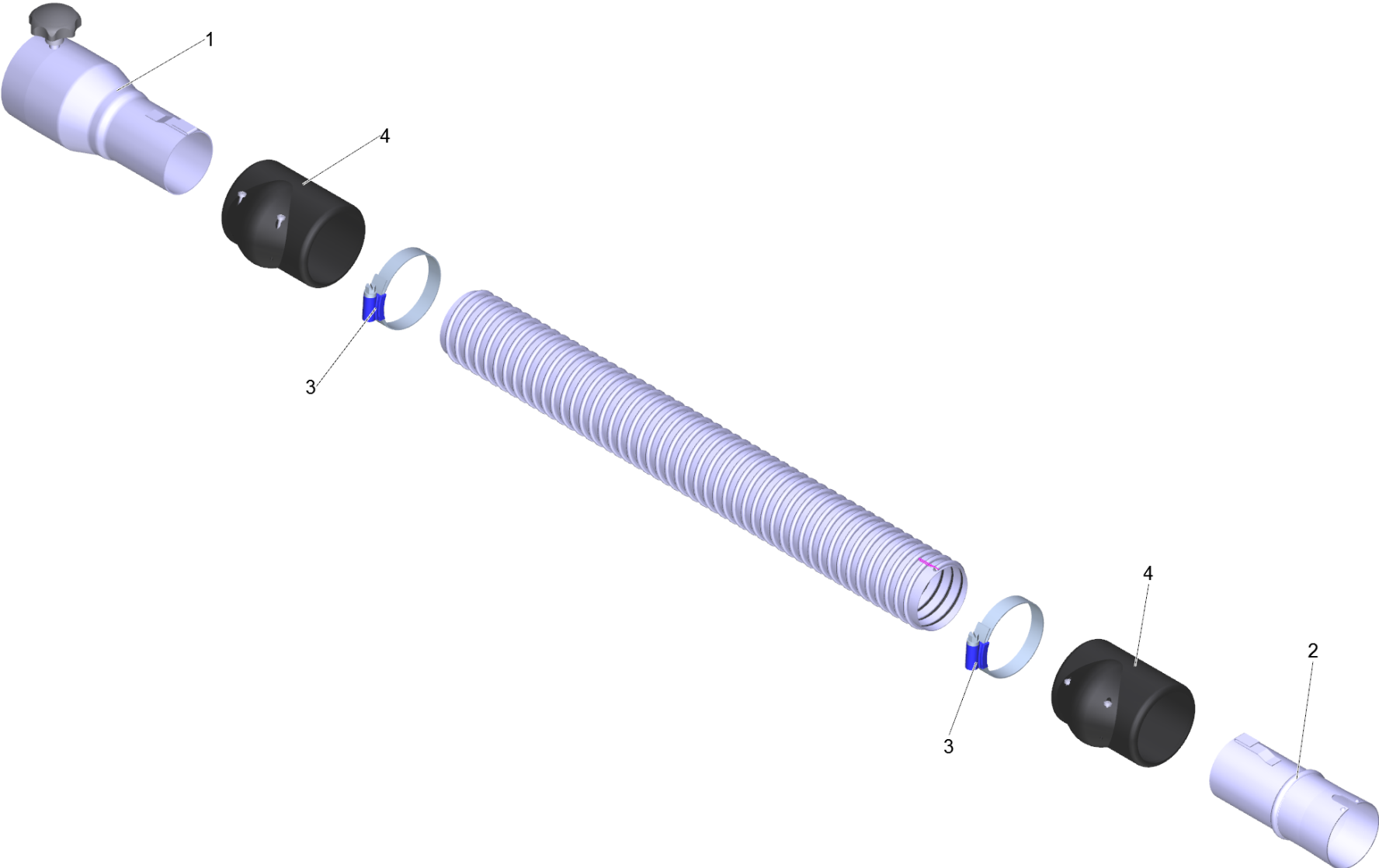
4 Multi-purpose nozzle 370mm DN42 (6.902-185.0)

POS	Article no.	Description	Quantity	Unit
902	6.902-215.0	Brush strips set 370mm	1.000	ST
903	9.980-747.0	Roller for floor nozzle 370mm/500mm	2.000	ST
901	6.303-555.0	Star grip M6	1.000	ST



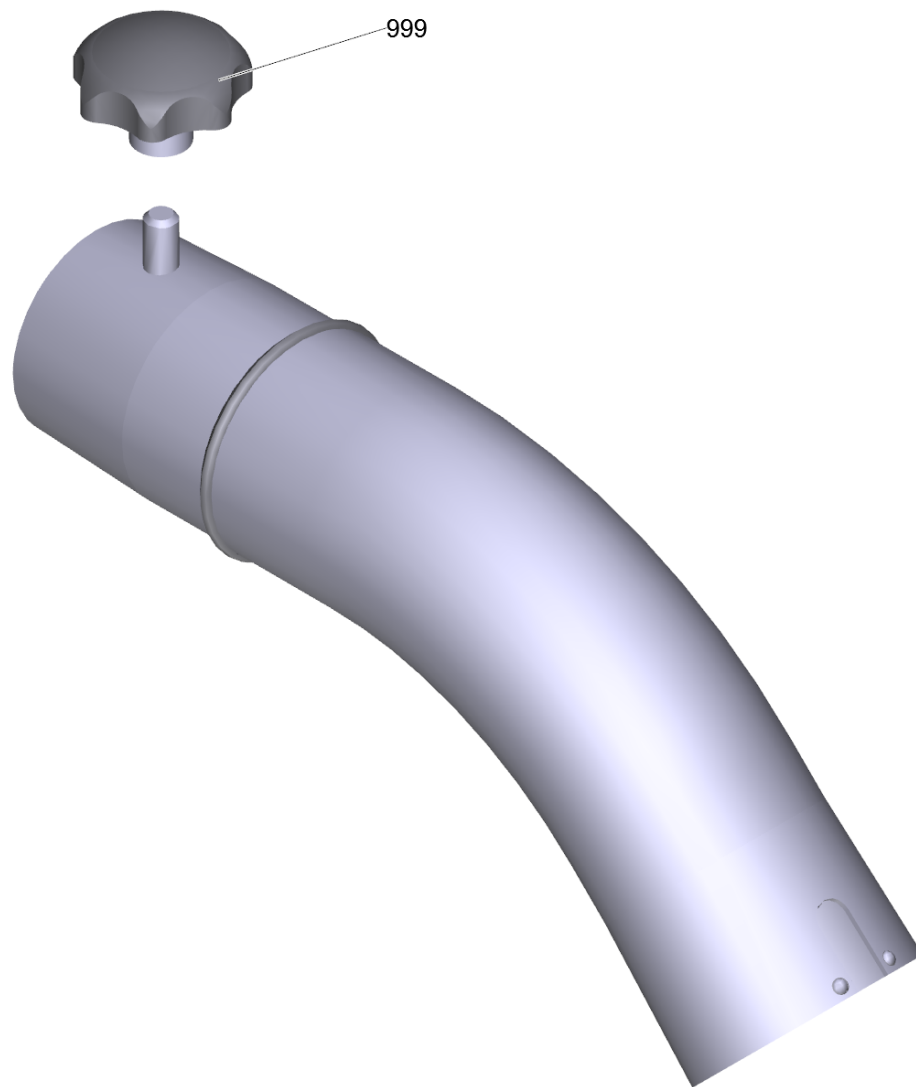
3 Suction set solids little liquid (2.869-108.0)

POS	Article no.	Description	Quantity	Unit
2	6.902-201.0	Elbow coated el. DN52	1.000	ST
4	6.902-184.0	Multi-purpose nozzle 370mm DN52	1.000	ST
5	6.902-196.0	Nozzle elastic plastics DN52	1.000	ST
1	6.907-306.0	Suction hose ME-PU el. DN52 3m	1.000	ST
3	6.902-181.0	Suction tube coated 850mm, el. DN52	1.000	ST
6	6.902-187.0	Surface nozzle aluminium 150mm DN52	1.000	ST



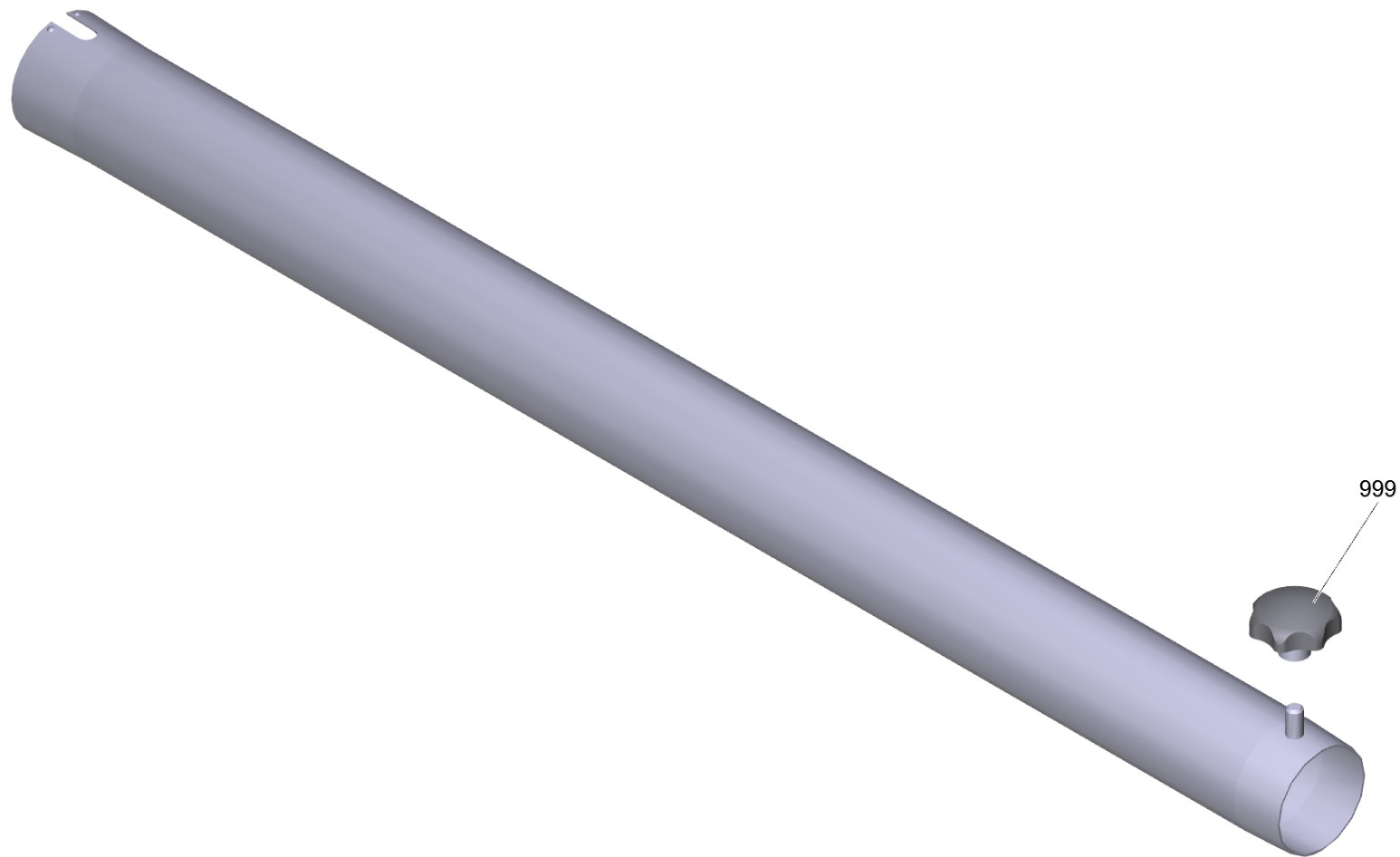
1 Suction hose ME-PU el. DN52 3m (6.907-306.0)

POS	Article no.	Description	Quantity	Unit
2	6.902-169.0	Accessories connection rotatable DN52	1.000	ST
3	6.902-167.0	Hose clip 40-60 mm	2.000	ST
4	6.902-166.0	Hose collar DN52	2.000	ST
999	7.303-363.0	Sheet metal screw ST3,5X16,0-A2-20H-C-H	1.000	ST
999	6.303-554.0	Star grip M8	1.000	ST
1	6.902-177.0	Vacuum cleaner connection DN72 auf DN52	1.000	ST



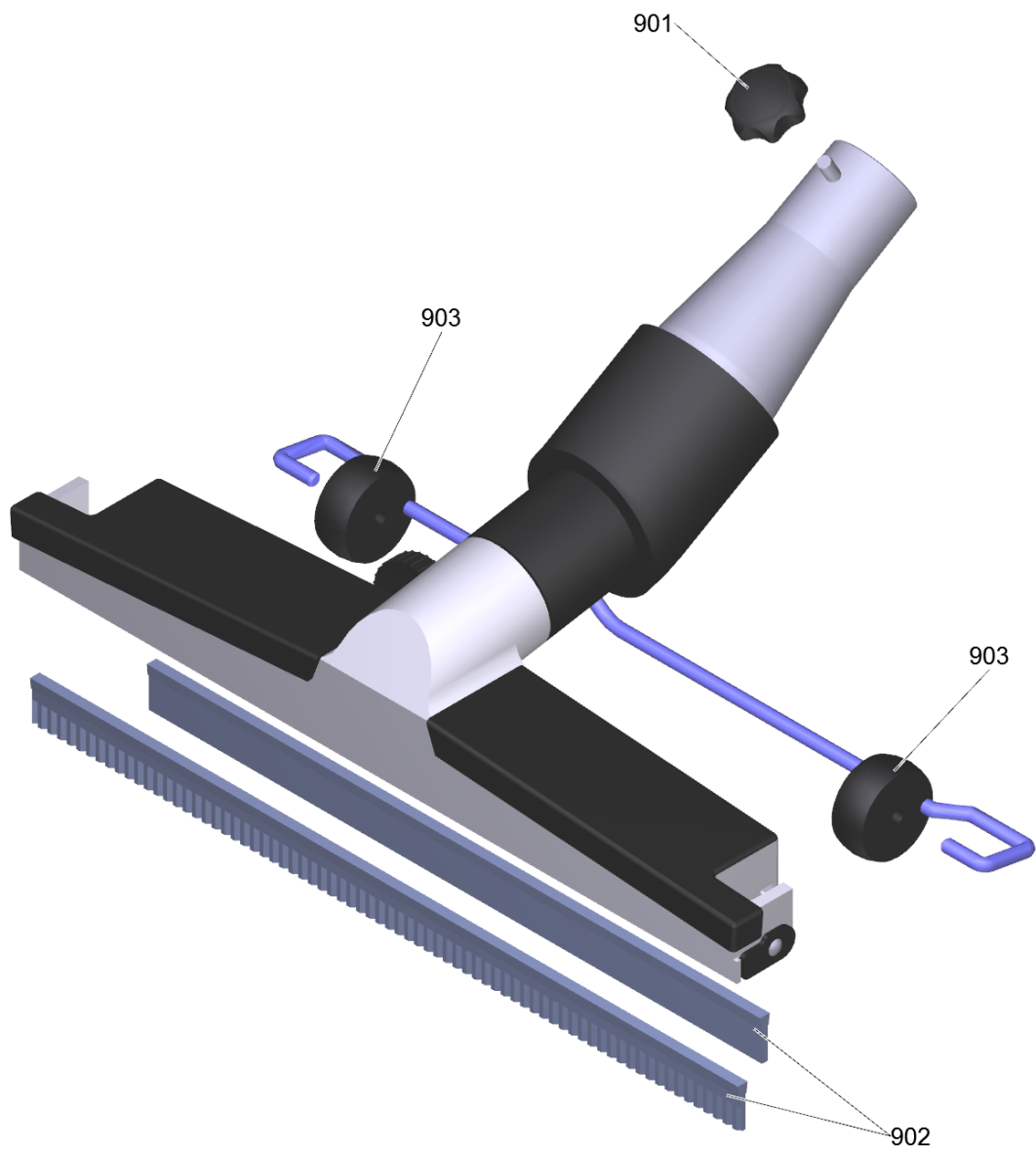
2 Elbow coated el. DN52 (6.902-201.0)

POS	Article no.	Description	Quantity	Unit
999	6.303-554.0	Star grip M8	1.000	ST



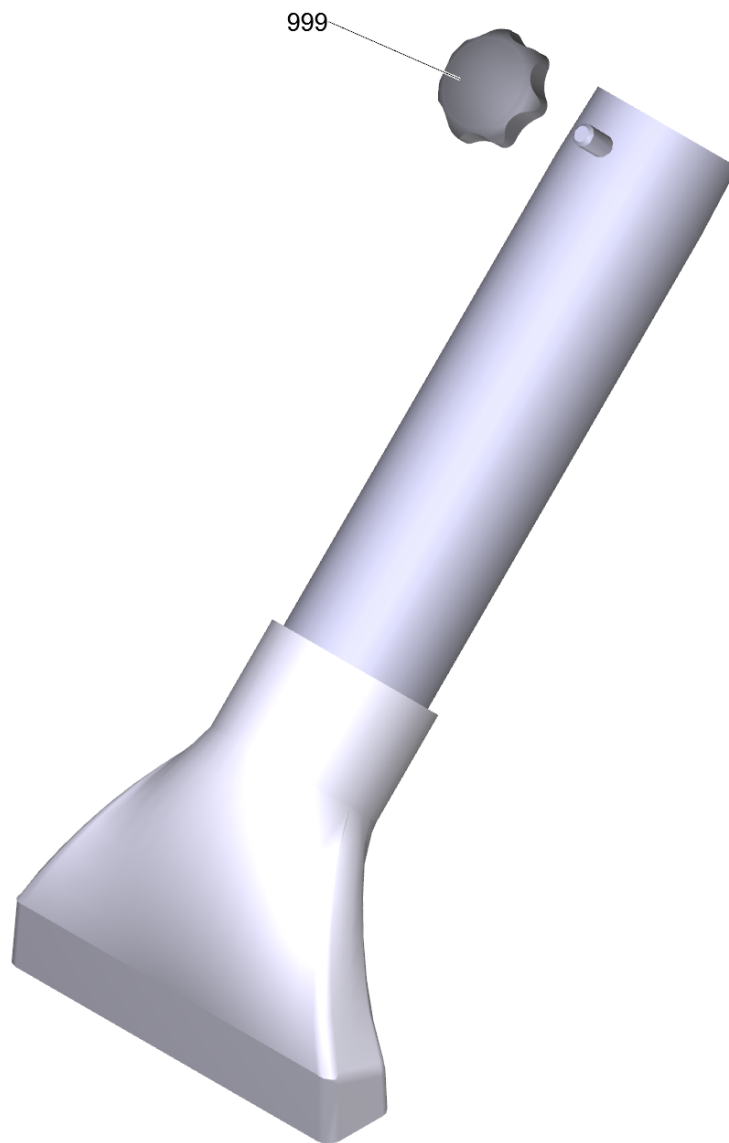
3 Suction tube coated 850mm, el. DN52 (6.902-181.0)

POS	Article no.	Description	Quantity	Unit
999	6.303-554.0	Star grip M8	1.000	ST



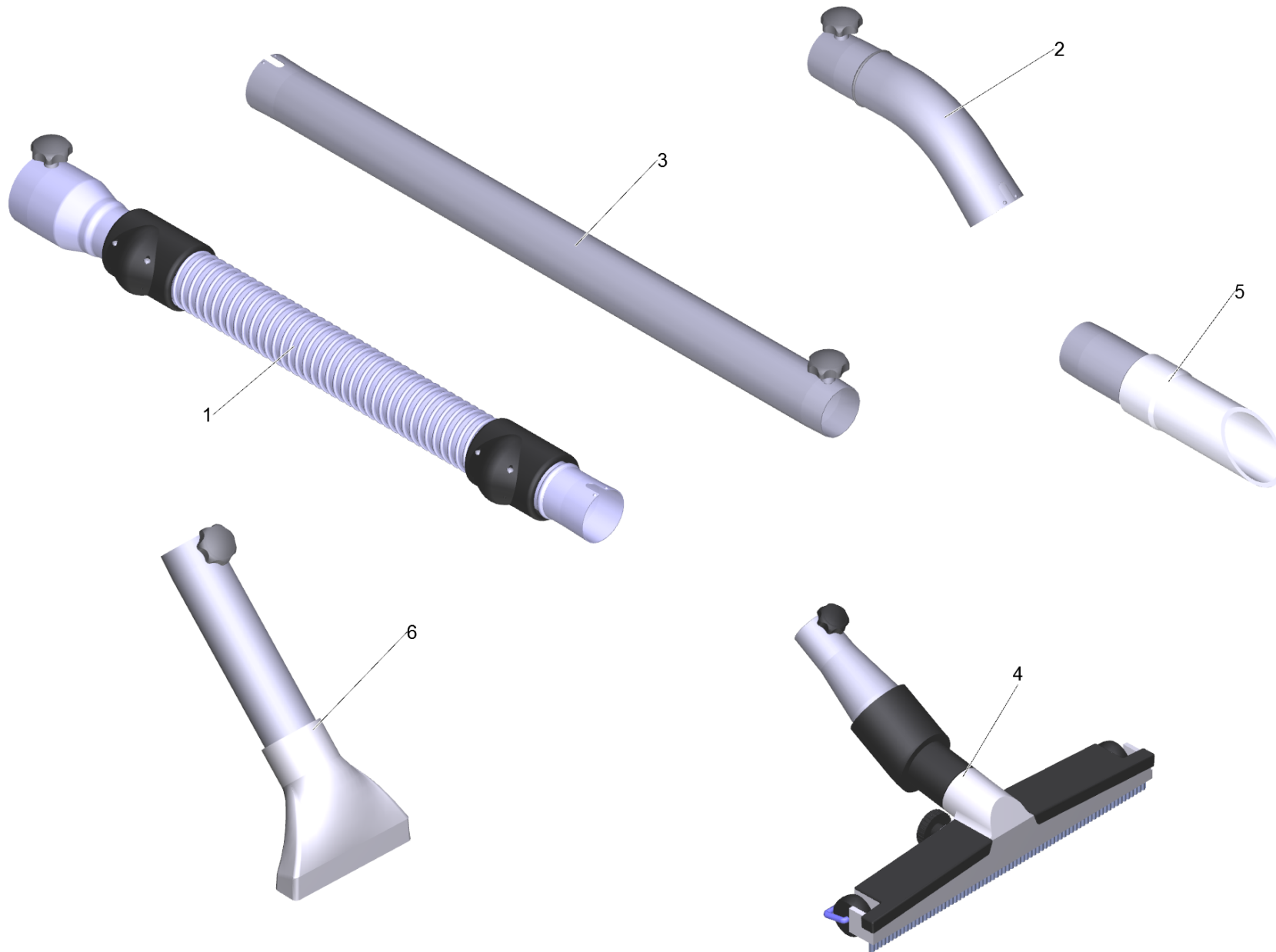
4 Multi-purpose nozzle 370mm DN52 (6.902-184.0)

POS	Article no.	Description	Quantity	Unit
902	6.902-215.0	Brush strips set 370mm	1.000	ST
903	9.980-747.0	Roller for floor nozzle 370mm/500mm	2.000	ST
901	6.303-554.0	Star grip M8	1.000	ST



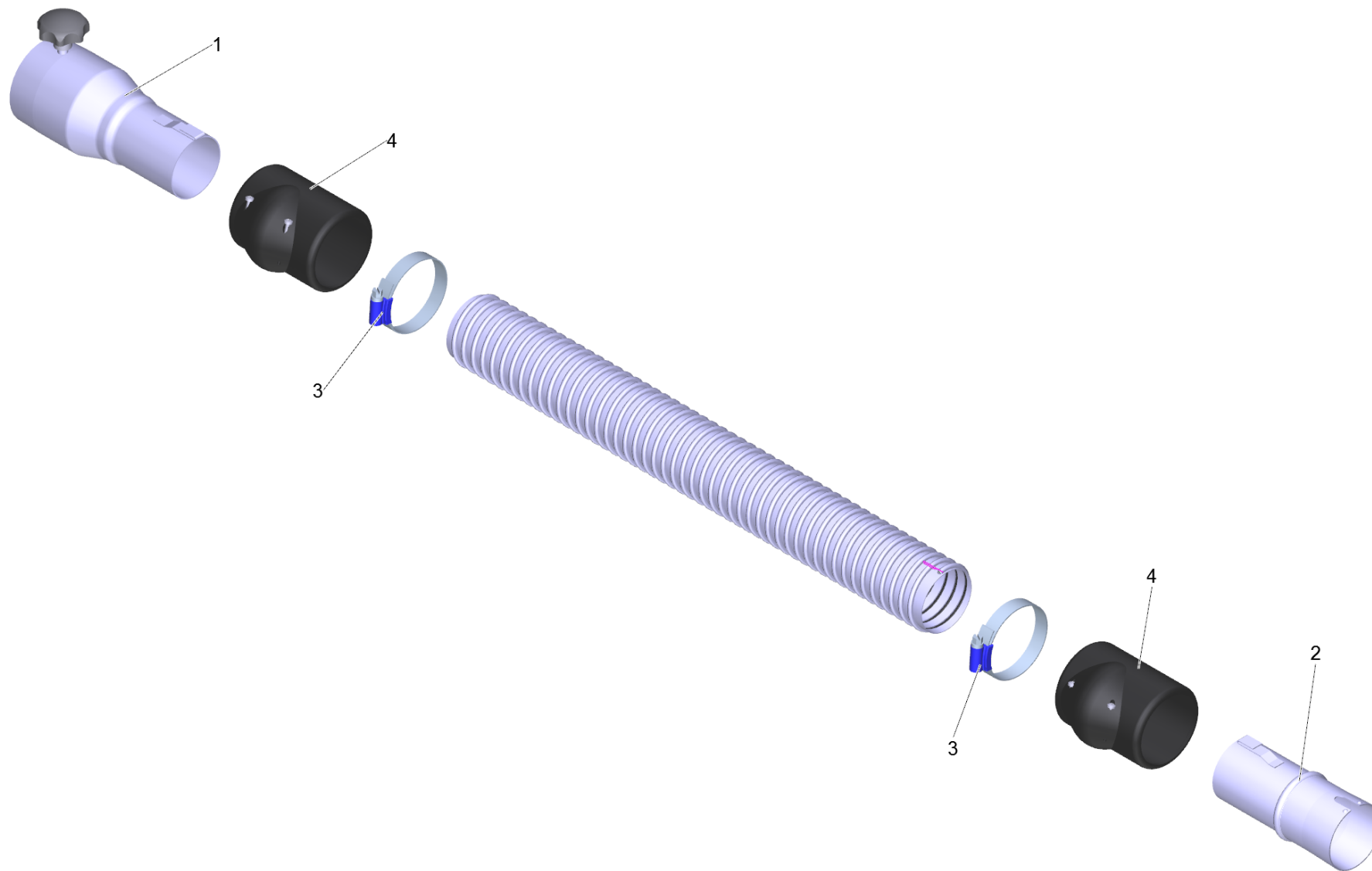
6 Surface nozzle aluminium 150mm DN52 (6.902-187.0)

POS	Article no.	Description	Quantity	Unit
999	6.303-554.0	Star grip M8	1.000	ST



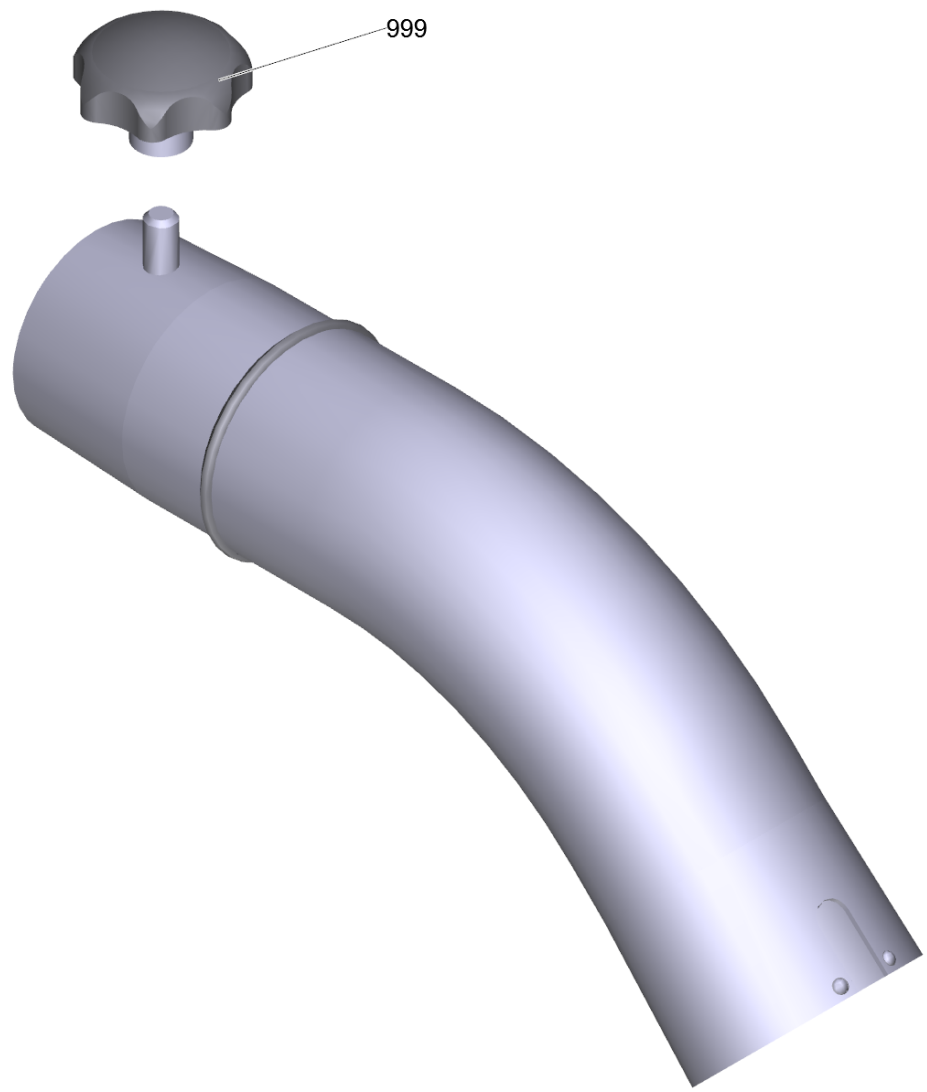
4 Suction set dry coarse particles DN52 (2.869-109.0)

POS	Article no.	Description	Quantity	Unit
2	6.902-201.0	Elbow coated el. DN52	1.000	ST
4	6.902-184.0	Multi-purpose nozzle 370mm DN52	1.000	ST
5	6.902-196.0	Nozzle elastic plastics DN52	1.000	ST
1	6.907-300.0	Suction hose PU el. DN52 3m	1.000	ST
3	6.902-181.0	Suction tube coated 850mm, el. DN52	1.000	ST
6	6.902-187.0	Surface nozzle aluminium 150mm DN52	1.000	ST



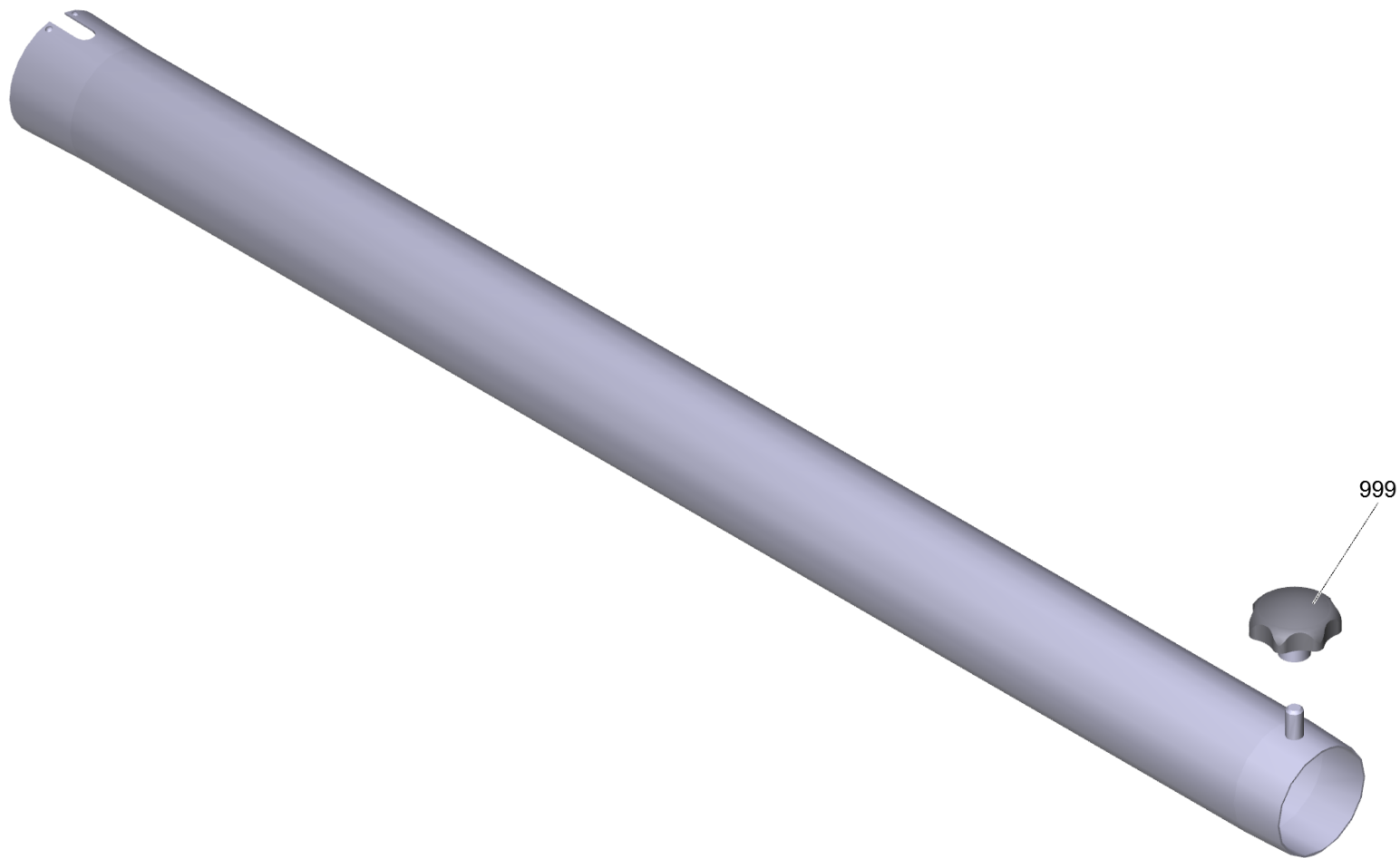
1 Suction hose PU el. DN52 3m (6.907-300.0)

POS	Article no.	Description	Quantity	Unit
2	6.902-169.0	Accessories connection rotatable DN52	1.000	ST
3	6.902-167.0	Hose clip 40-60 mm	2.000	ST
4	6.902-166.0	Hose collar DN52	2.000	ST
999	7.303-363.0	Sheet metal screw ST3,5X16,0-A2-20H-C-H	1.000	ST
999	6.303-554.0	Star grip M8	1.000	ST
1	6.902-177.0	Vacuum cleaner connection DN72 auf DN52	1.000	ST



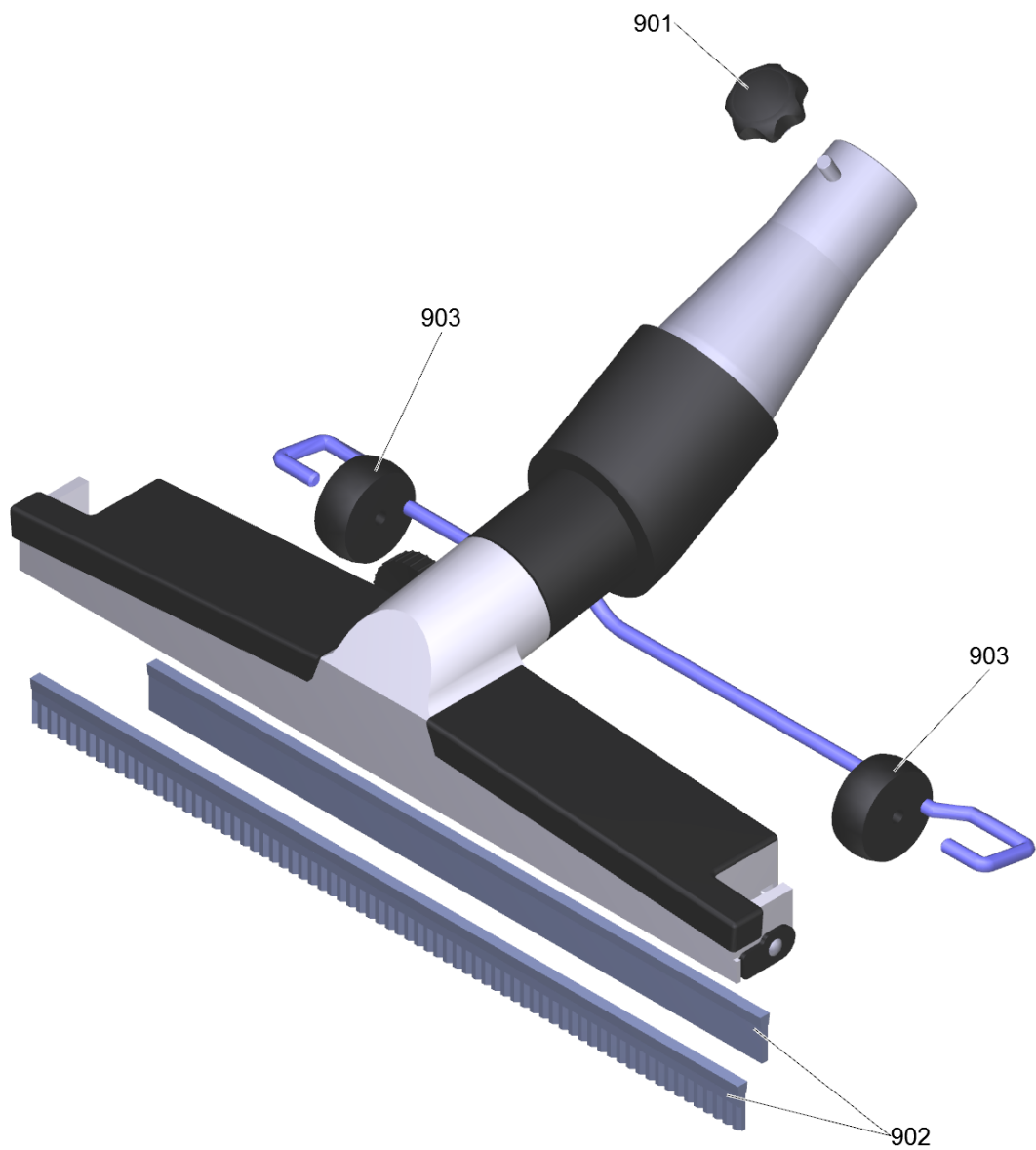
2 Elbow coated el. DN52 (6.902-201.0)

POS	Article no.	Description	Quantity	Unit
999	6.303-554.0	Star grip M8	1.000	ST



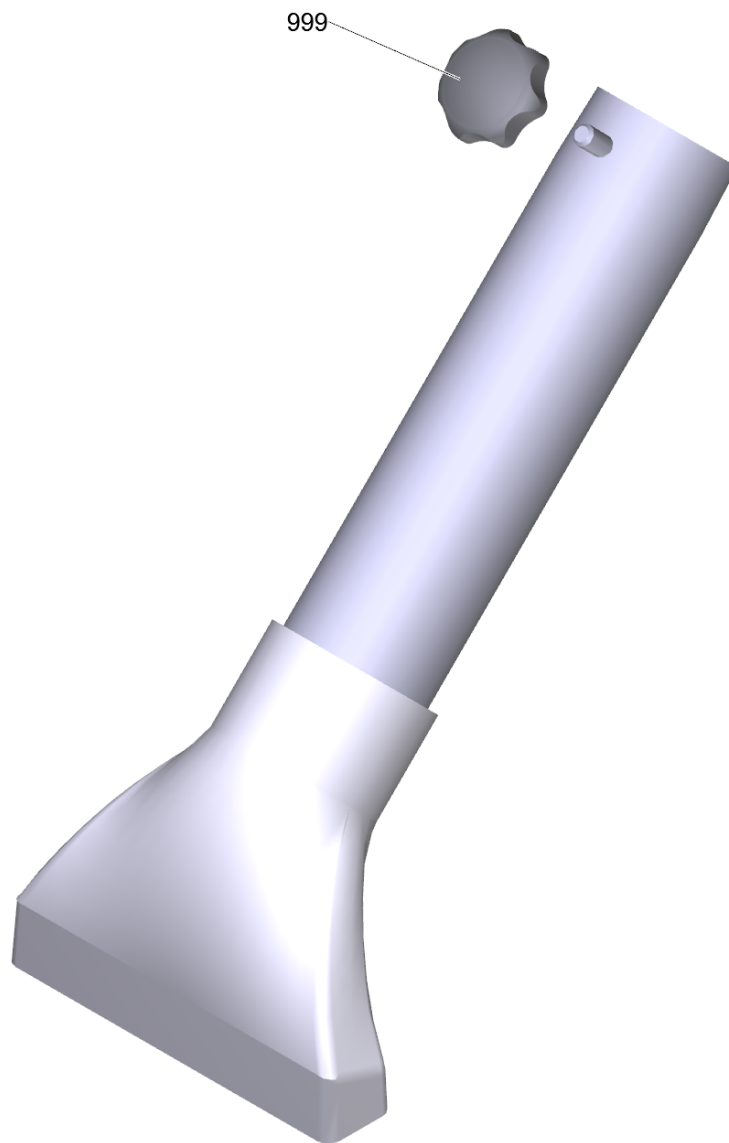
3 Suction tube coated 850mm, el. DN52 (6.902-181.0)

POS	Article no.	Description	Quantity	Unit
999	6.303-554.0	Star grip M8	1.000	ST



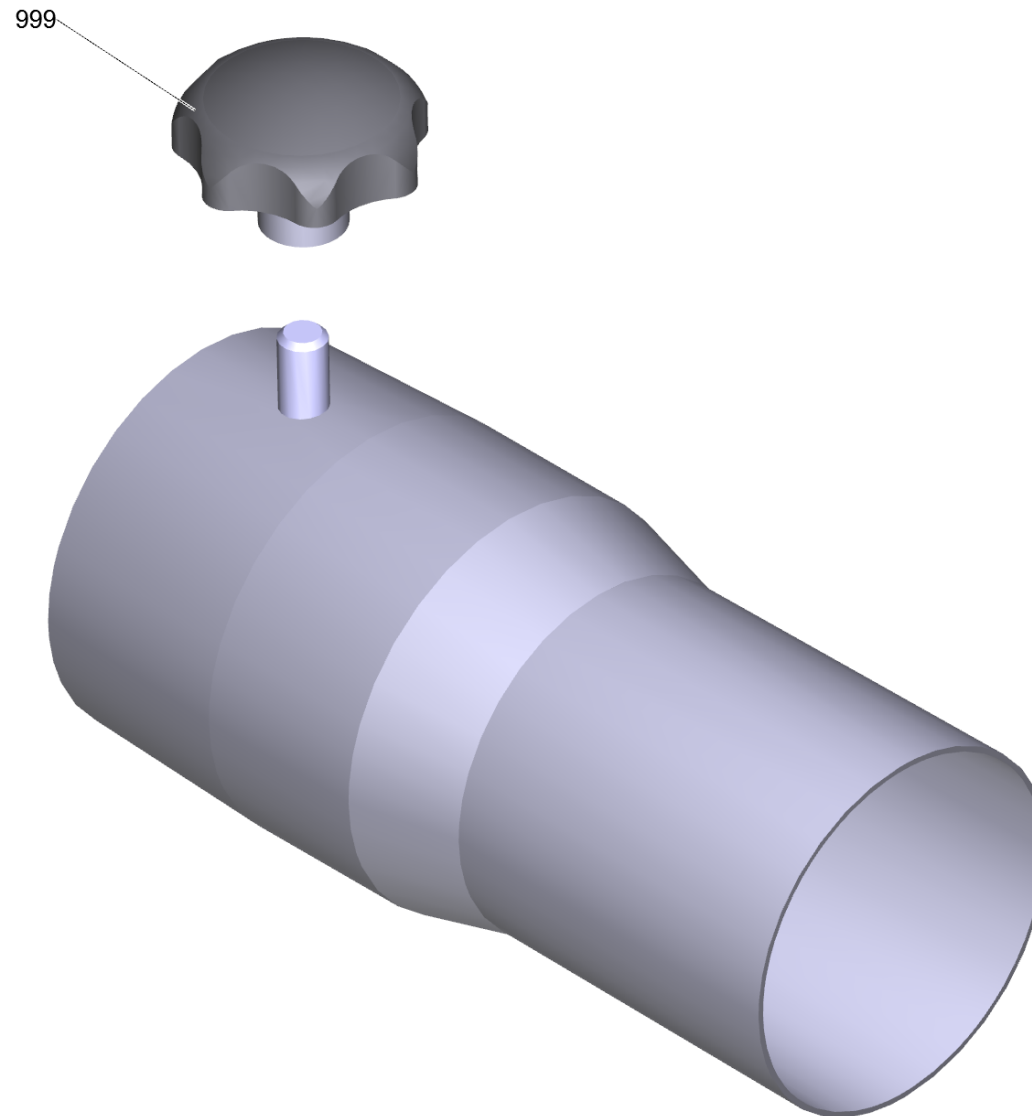
4 Multi-purpose nozzle 370mm DN52 (6.902-184.0)

POS	Article no.	Description	Quantity	Unit
902	6.902-215.0	Brush strips set 370mm	1.000	ST
903	9.980-747.0	Roller for floor nozzle 370mm/500mm	2.000	ST
901	6.303-554.0	Star grip M8	1.000	ST



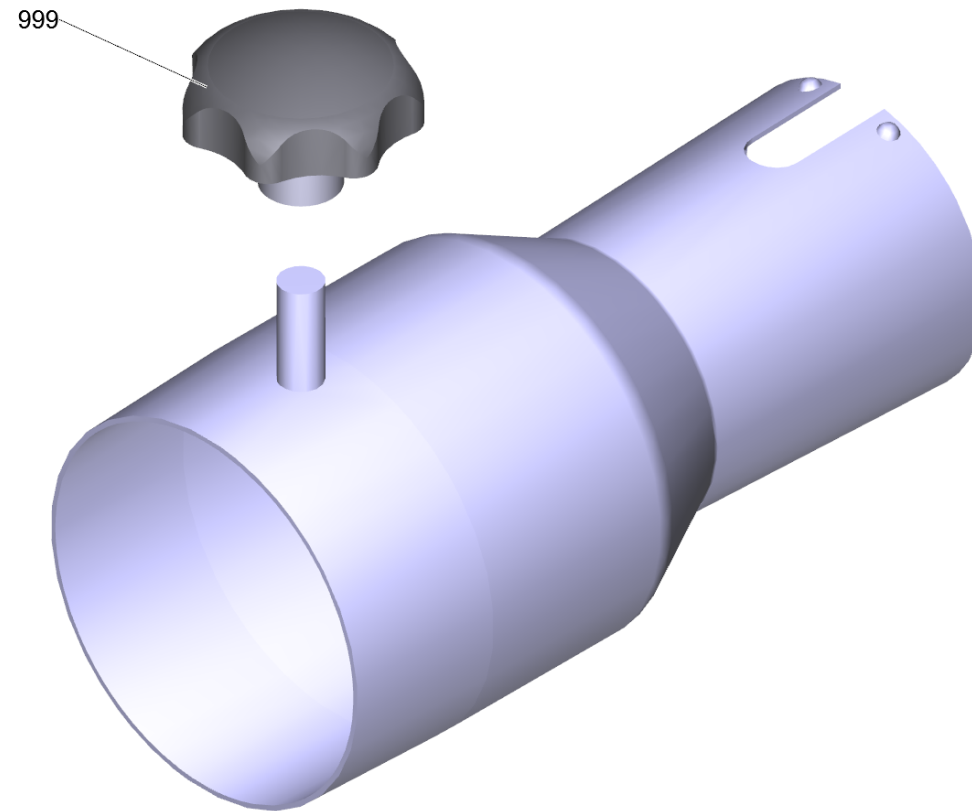
6 Surface nozzle aluminium 150mm DN52 (6.902-187.0)

POS	Article no.	Description	Quantity	Unit
999	6.303-554.0	Star grip M8	1.000	ST



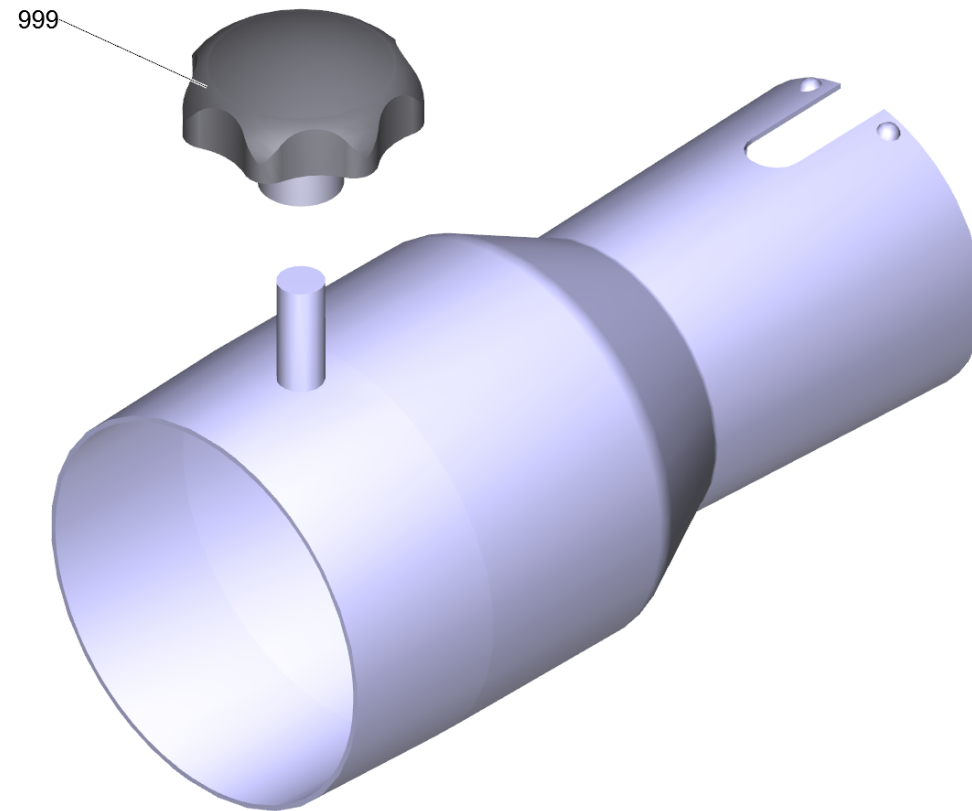
6 Vacuum cleaner connection DN72 auf DN61 (6.902-001.0)

POS	Article no.	Description	Quantity	Unit
999	6.303-554.0	Star grip M8	1.000	ST



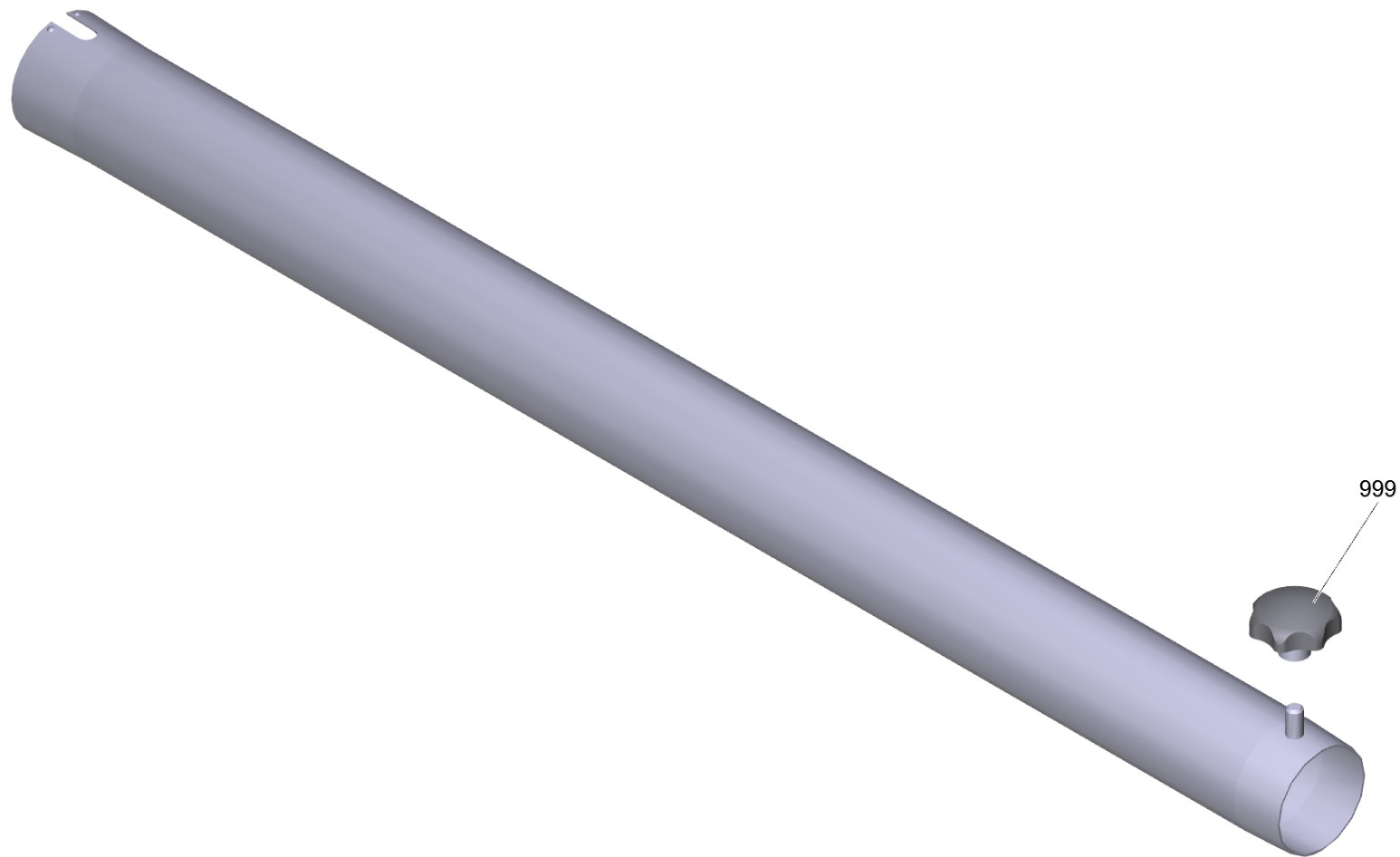
7 Reducer DN52 auf DN42 (6.902-179.0)

POS	Article no.	Description	Quantity	Unit
999	6.303-554.0	Star grip M8	1.000	ST



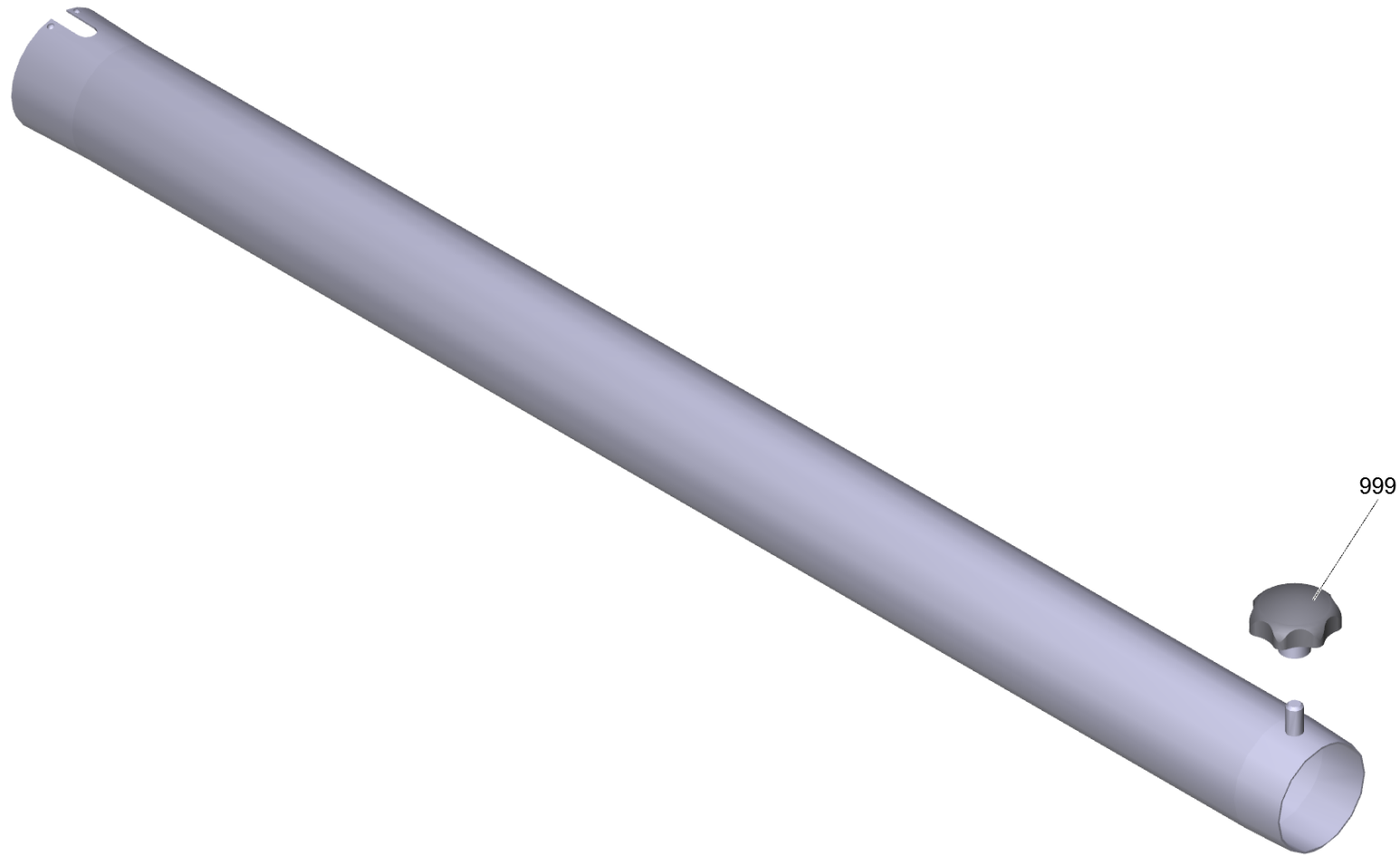
7 Reducer DN72 auf DN52 (6.902-180.0)

POS	Article no.	Description	Quantity	Unit
999	6.303-554.0	Star grip M8	1.000	ST



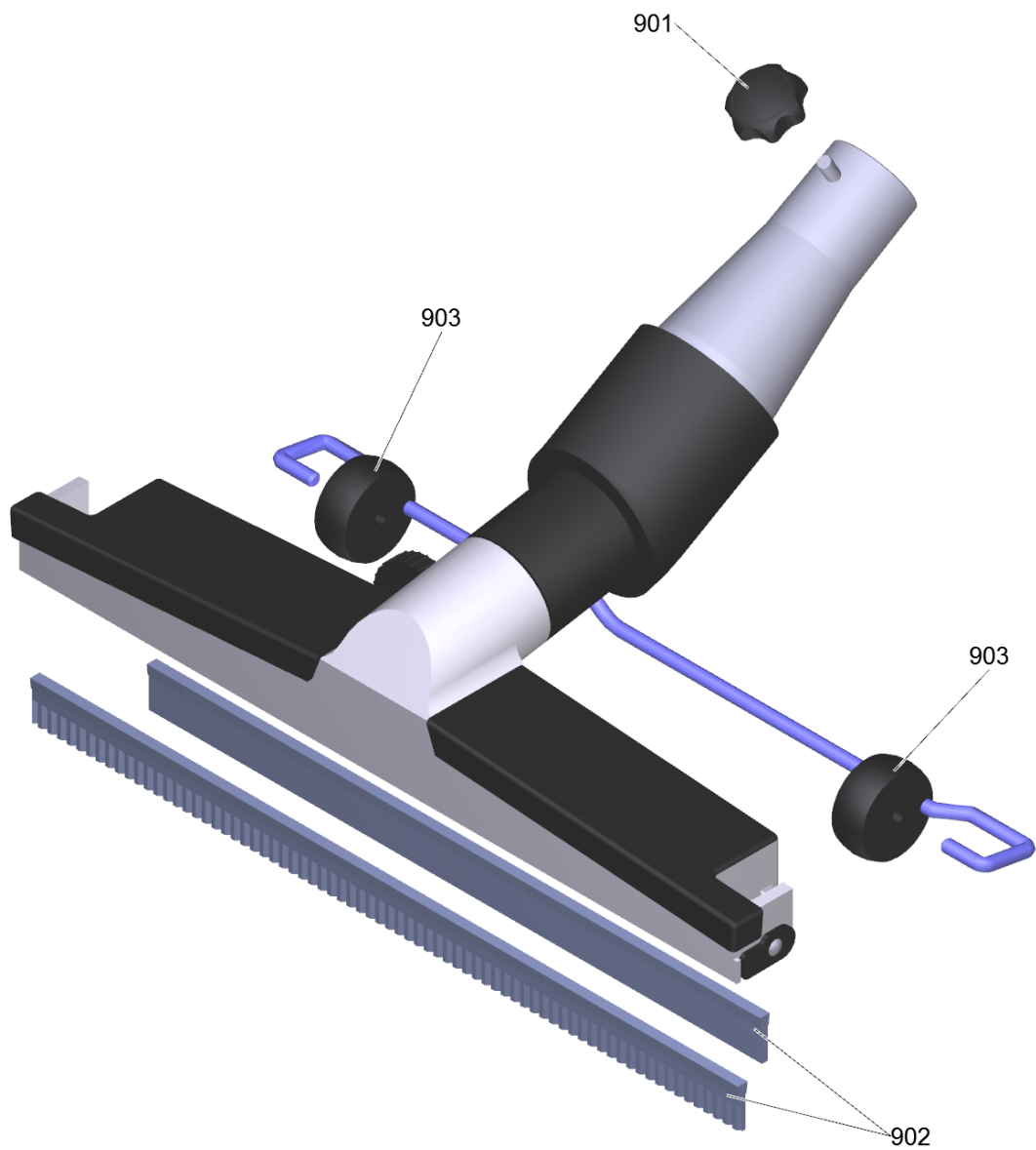
8 Suction tube coated 850mm, el. DN52 (6.902-181.0)

POS	Article no.	Description	Quantity	Unit
999	6.303-554.0	Star grip M8	1.000	ST



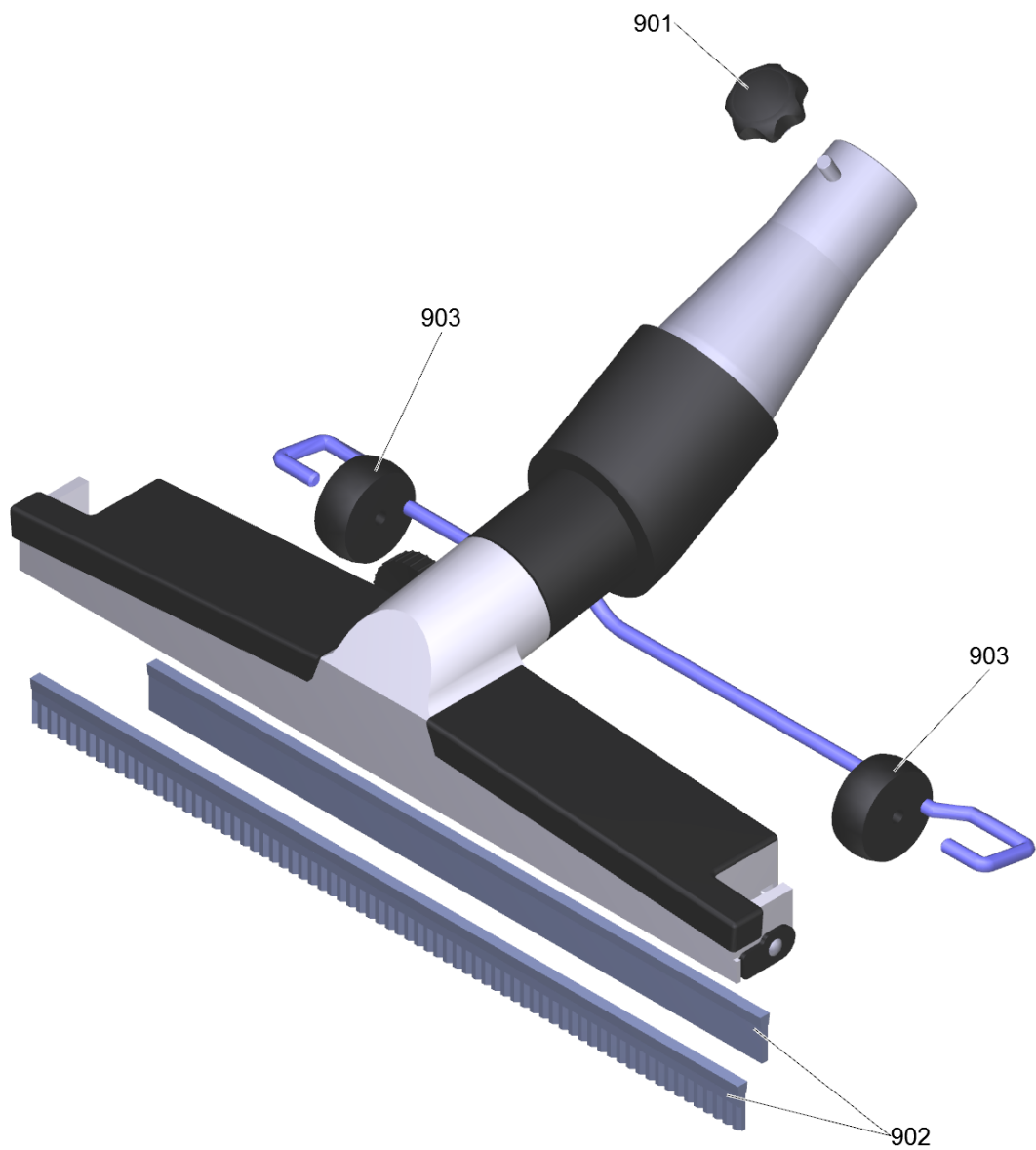
8 Suction tube coated 750mm, el. DN42 (6.902-182.0)

POS	Article no.	Description	Quantity	Unit
999	6.303-555.0	Star grip M6	1.000	ST



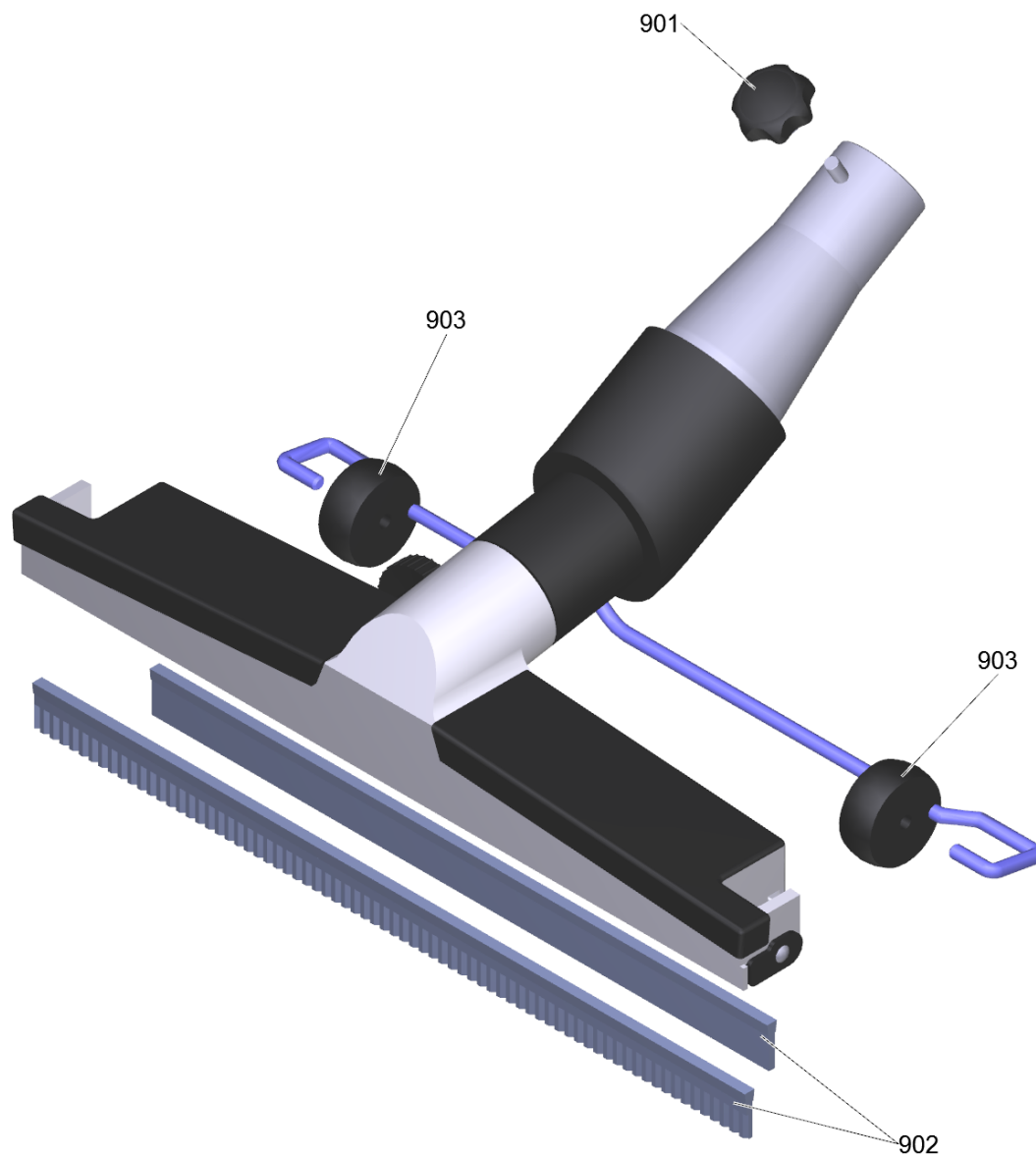
9 Multi-purpose nozzle 370mm DN52 (6.902-184.0)

POS	Article no.	Description	Quantity	Unit
902	6.902-215.0	Brush strips set 370mm	1.000	ST
903	9.980-747.0	Roller for floor nozzle 370mm/500mm	2.000	ST
901	6.303-554.0	Star grip M8	1.000	ST



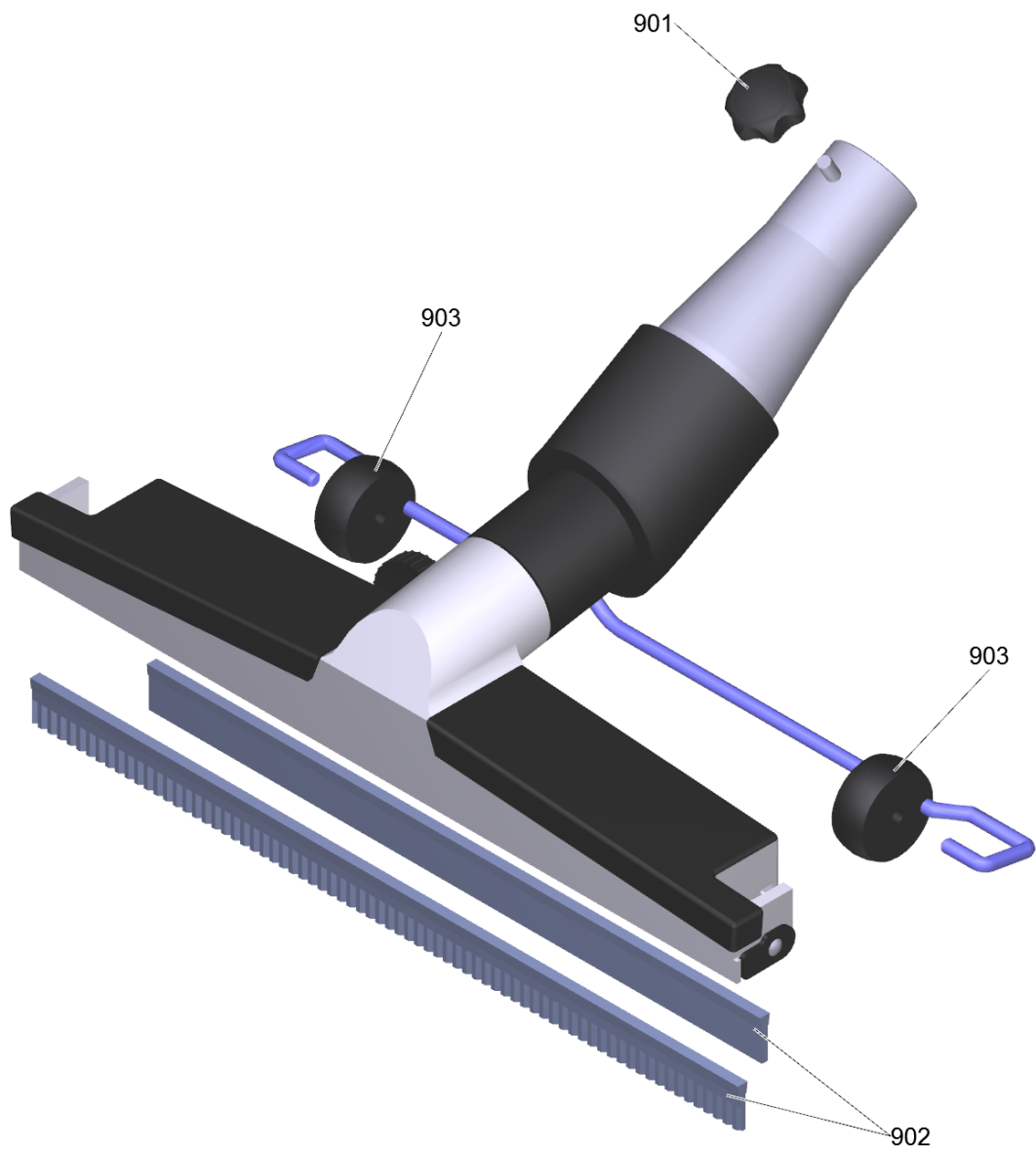
9 Multi-purpose nozzle 370mm DN42 (6.902-185.0)

POS	Article no.	Description	Quantity	Unit
902	6.902-215.0	Brush strips set 370mm	1.000	ST
903	9.980-747.0	Roller for floor nozzle 370mm/500mm	2.000	ST
901	6.303-555.0	Star grip M6	1.000	ST



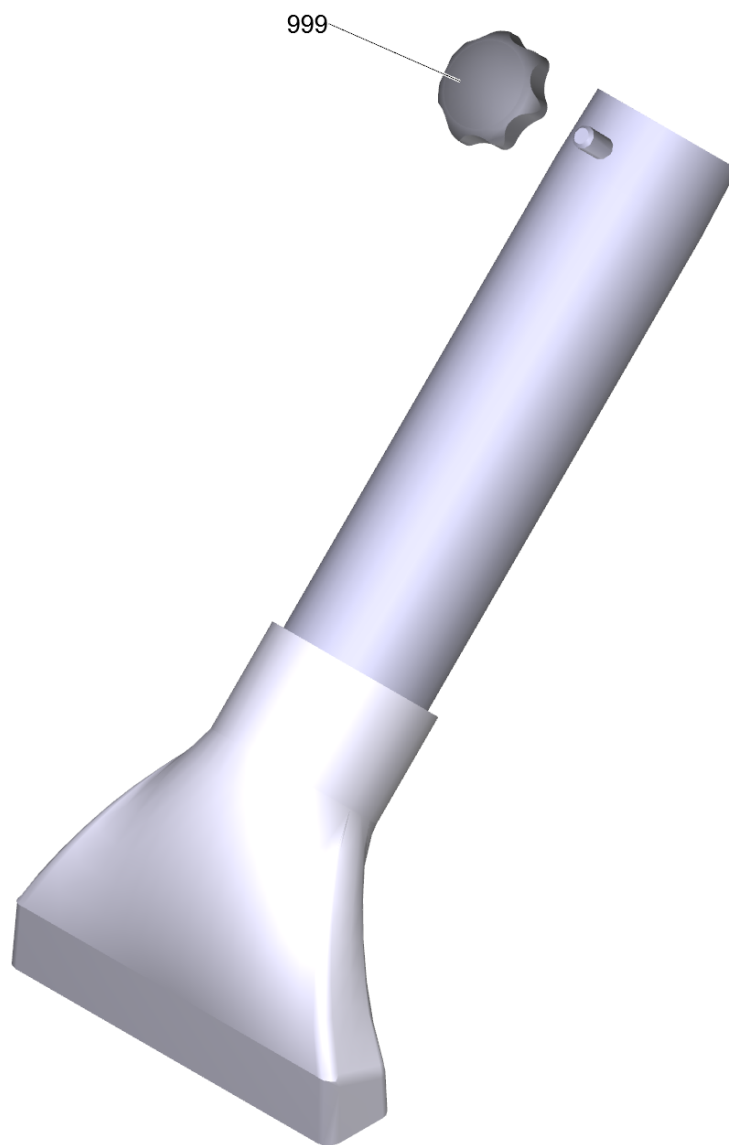
9 Multi-purpose nozzle 500mm DN52 (6.902-186.0)

POS	Article no.	Description	Quantity	Unit
902	6.903-067.0	Brush strip set	1.000	ST
903	9.980-747.0	Roller for floor nozzle 370mm/500mm	2.000	ST
901	6.303-554.0	Star grip M8	1.000	ST



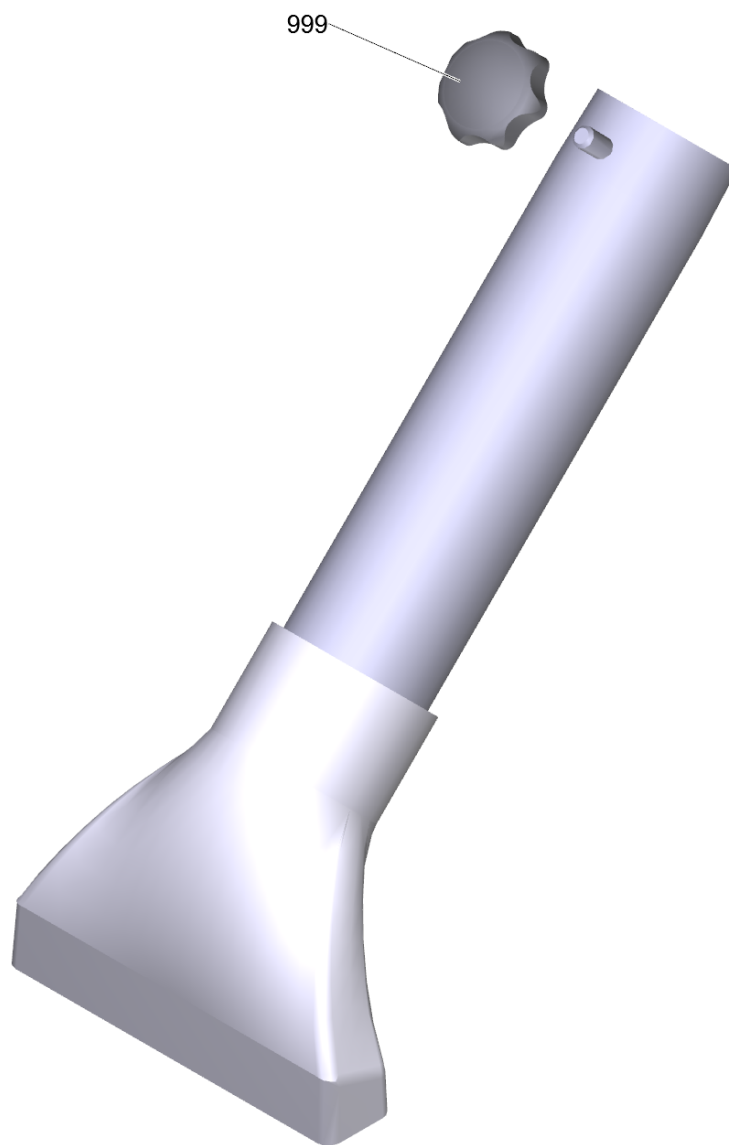
9 Multi-purpose nozzle 370mm el. leit., DN (6.902-213.0)

POS	Article no.	Description	Quantity	Unit
902	6.902-216.0	Brush strips set electrically conducting	1.000	ST
903	9.980-747.0	Roller for floor nozzle 370mm/500mm	2.000	ST
901	6.303-555.0	Star grip M6	1.000	ST



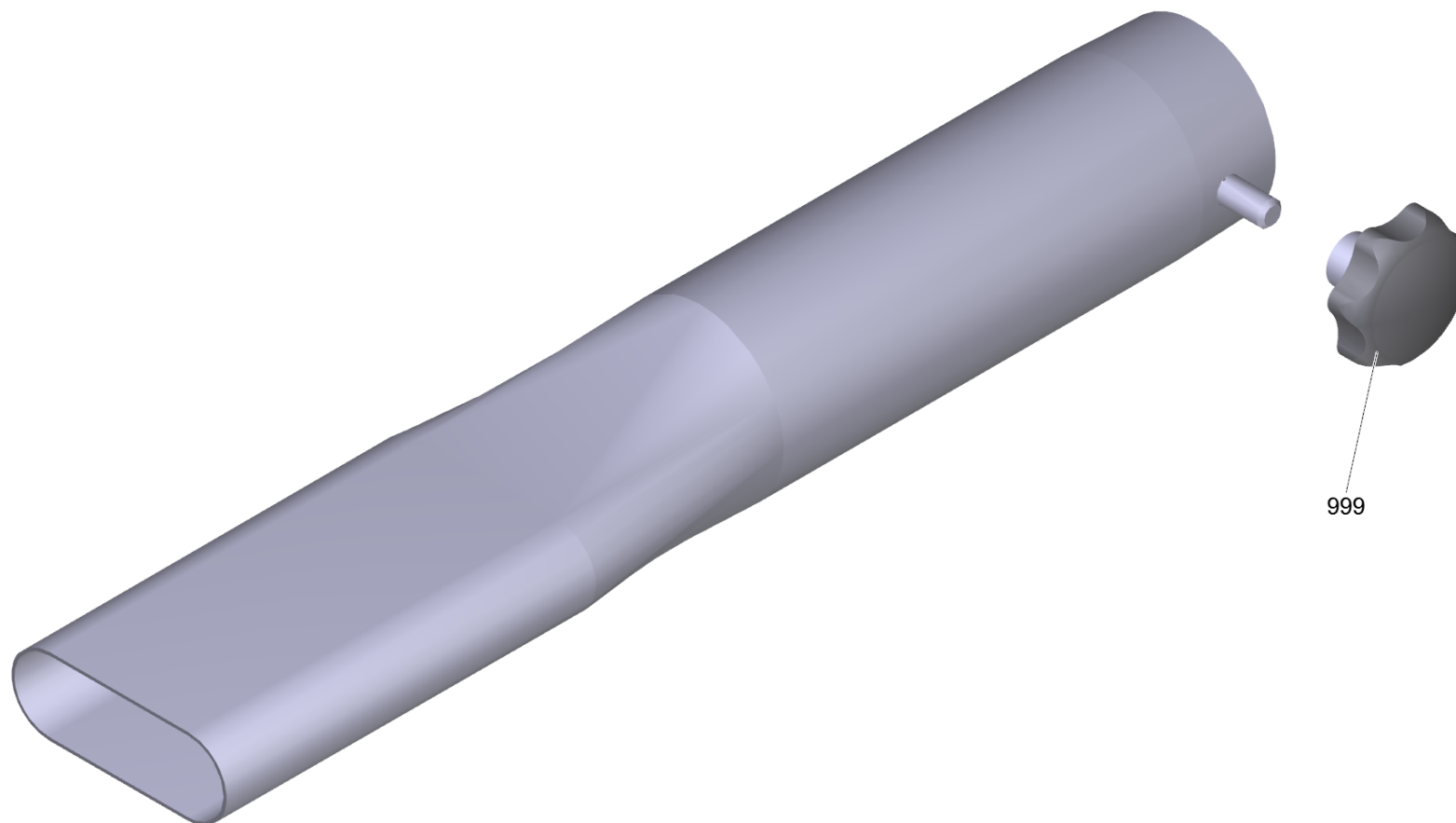
10 Surface nozzle aluminium 150mm DN52 (6.902-187.0)

POS	Article no.	Description	Quantity	Unit
999	6.303-554.0	Star grip M8	1.000	ST



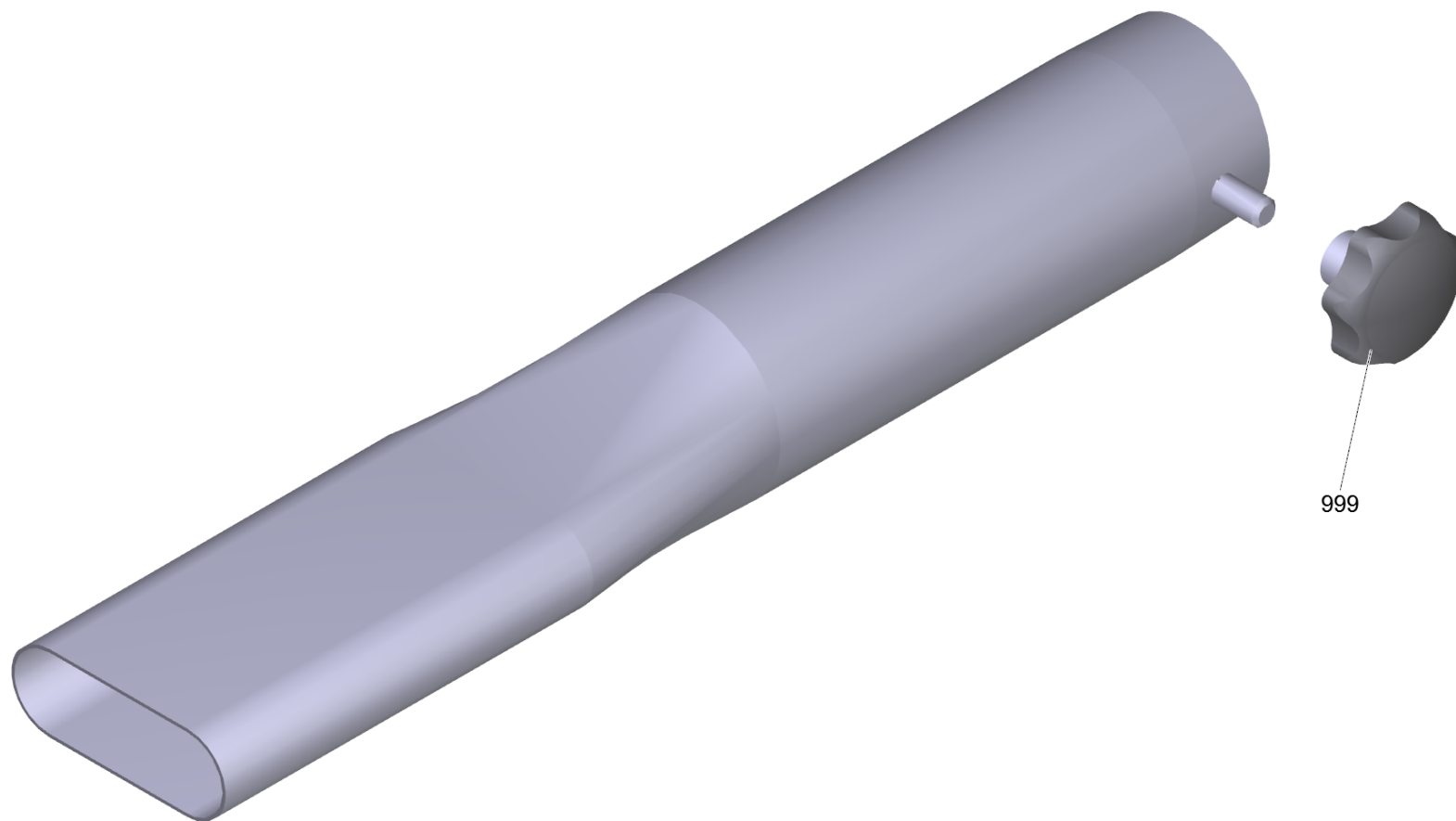
10 Surface nozzle aluminium 150mm DN42 (6.902-188.0)

POS	Article no.	Description	Quantity	Unit
999	6.303-555.0	Star grip M6	1.000	ST



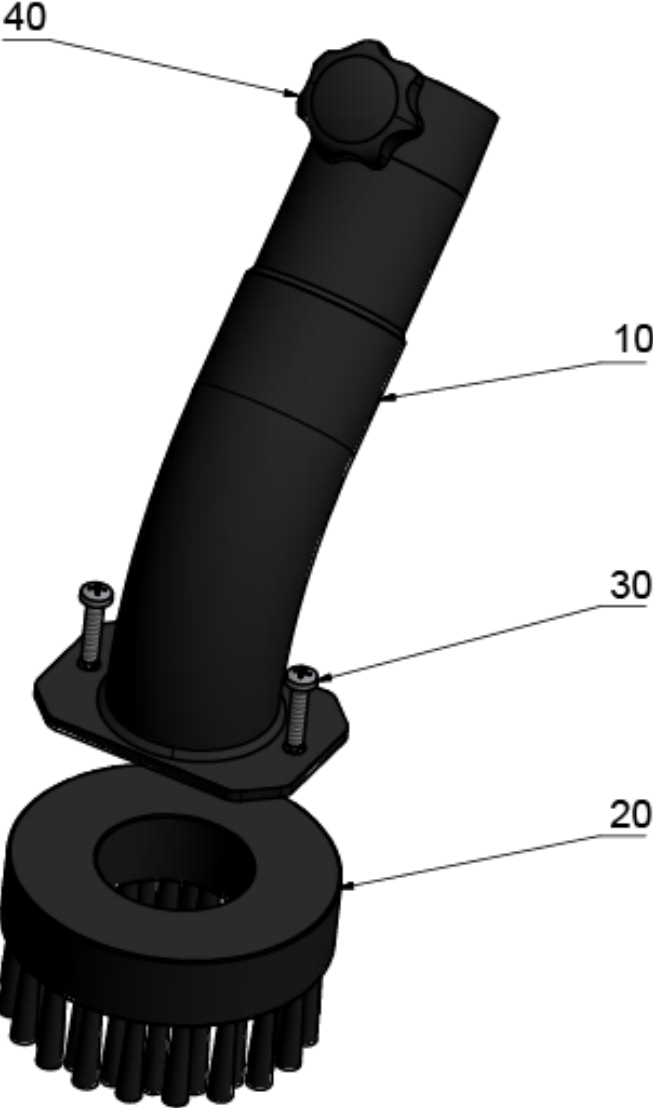
11 Crevice nozzle zinc-plated 17mm DN52 (6.902-189.0)

POS	Article no.	Description	Quantity	Unit
999	6.303-554.0	Star grip M8	1.000	ST



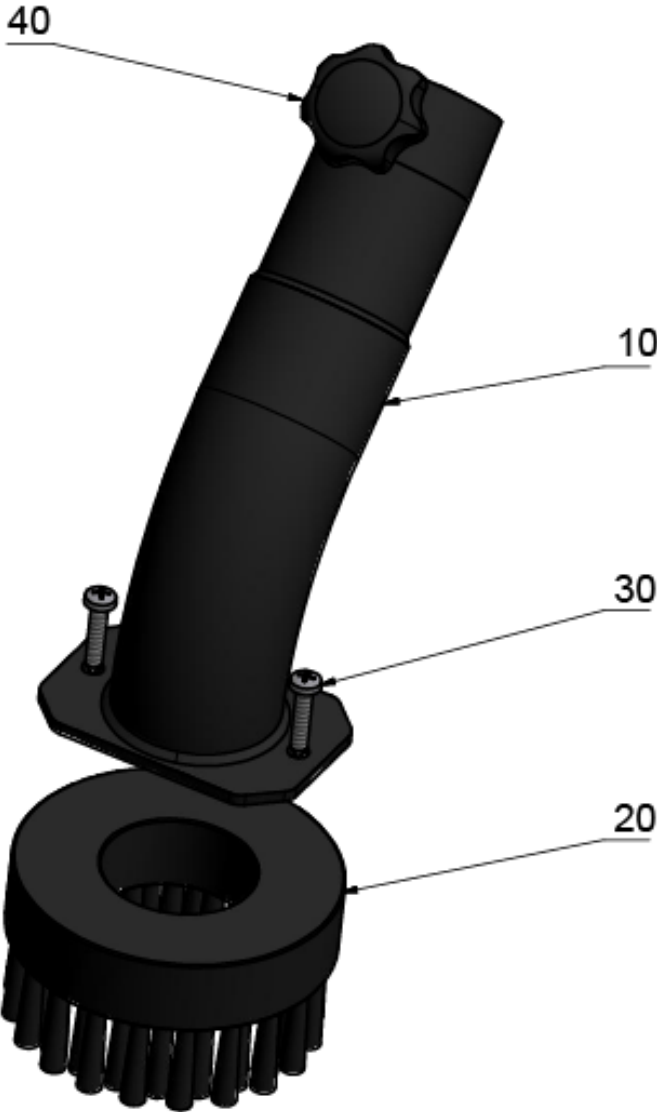
11 Crevice nozzle zinc-plated 28mm DN72 (6.902-191.0)

POS	Article no.	Description	Quantity	Unit
999	6.303-554.0	Star grip M8	1.000	ST



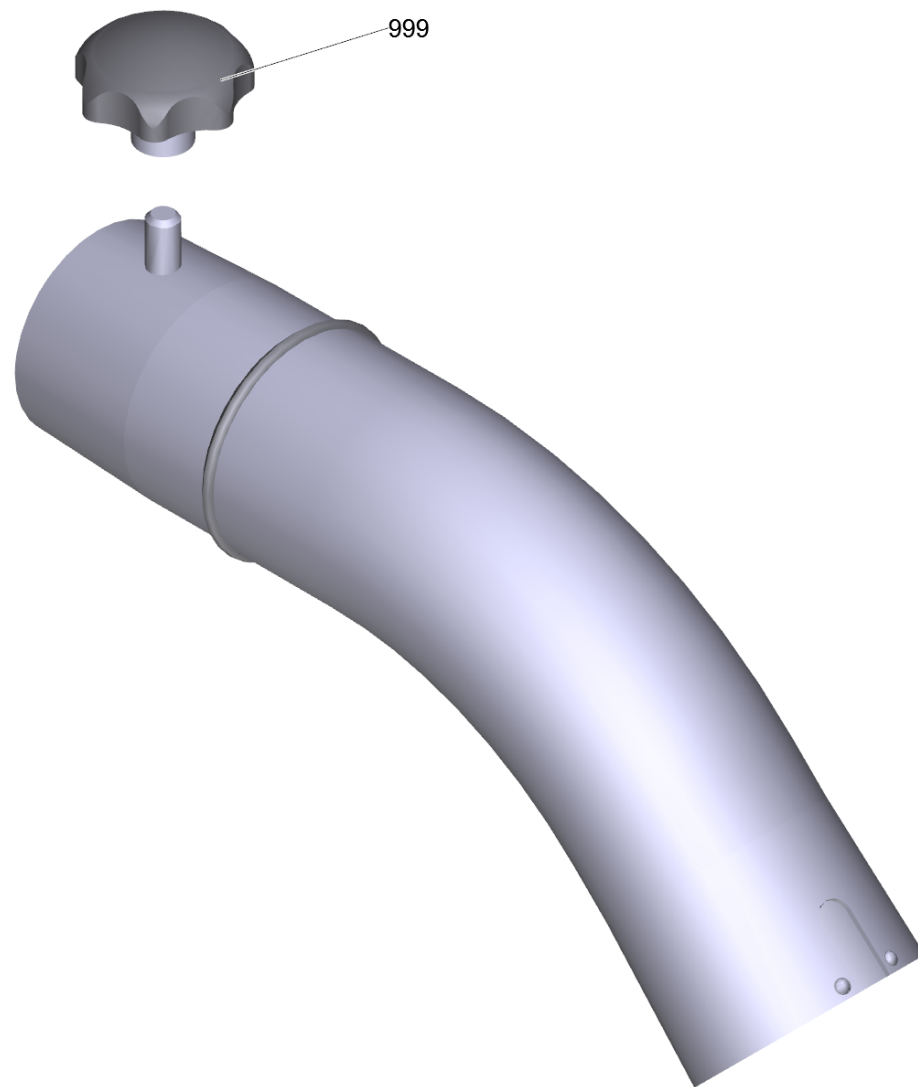
12 Suction brush round 45° DN52 (6.902-192.0)

POS	Article no.	Description	Quantity	Unit
10	9.976-381.0	Connecting piece with outside cone D50	1.000	ST
20	9.980-753.0	Disc brush for suction brush ø82mm	1.000	ST
30	9.974-177.0	Sheet metal screw 4,2x 22mm-vz DIN 7981	2.000	ST
40	6.303-555.0	Star grip M6	1.000	ST



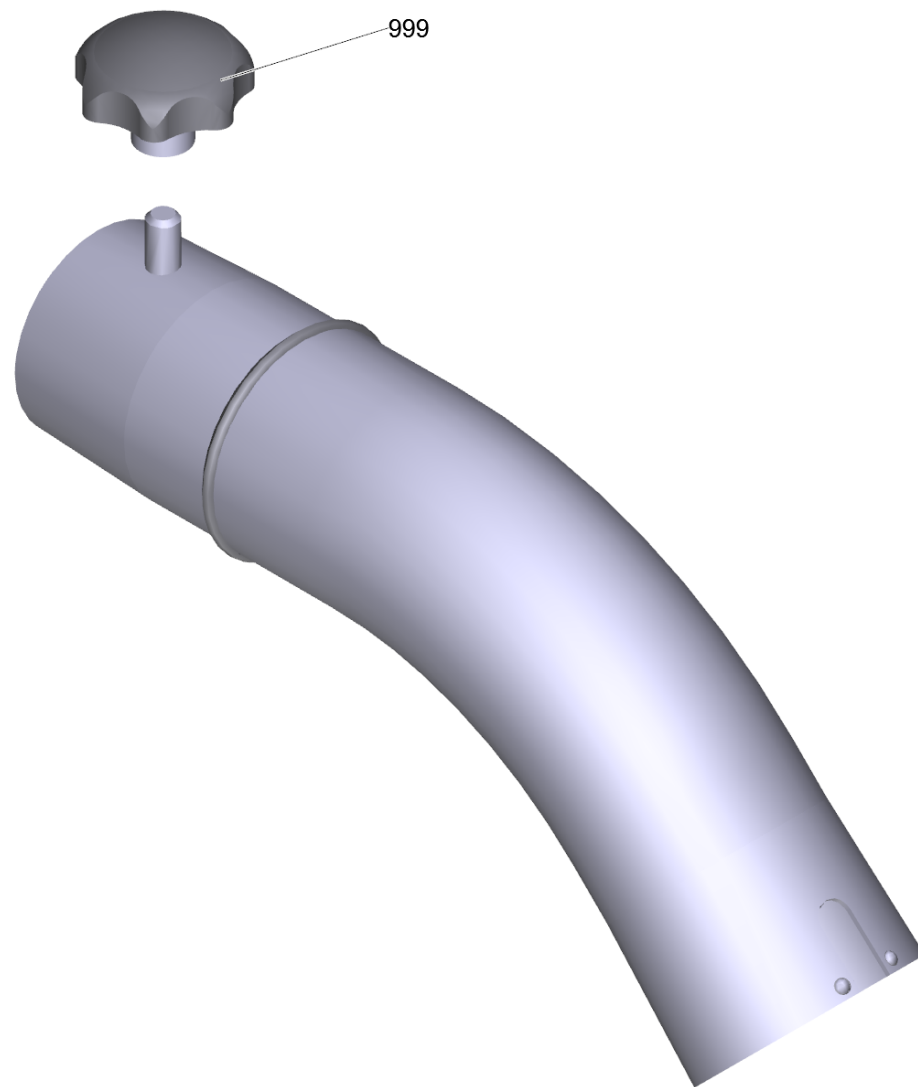
12 Suction brush round 45° DN42 (6.902-193.0)

POS	Article no.	Description	Quantity	Unit
10	9.976-380.0	Connecting piece with outside cone D40	1.000	ST
20	9.980-753.0	Disc brush for suction brush ø82mm	1.000	ST
30	9.974-177.0	Sheet metal screw 4,2x 22mm-vz DIN 7981	2.000	ST
40	6.303-555.0	Star grip M6	1.000	ST



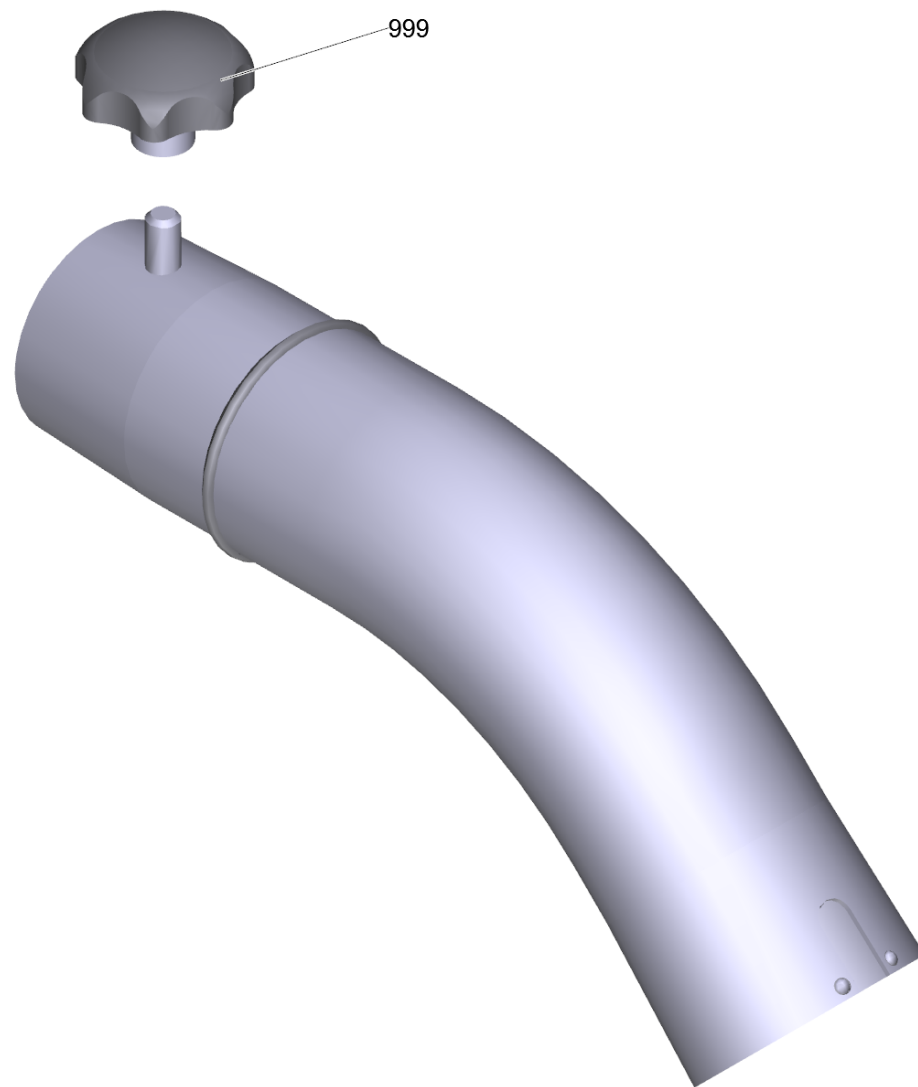
16 Elbow coated el. DN52 (6.902-201.0)

POS	Article no.	Description	Quantity	Unit
999	6.303-554.0	Star grip M8	1.000	ST



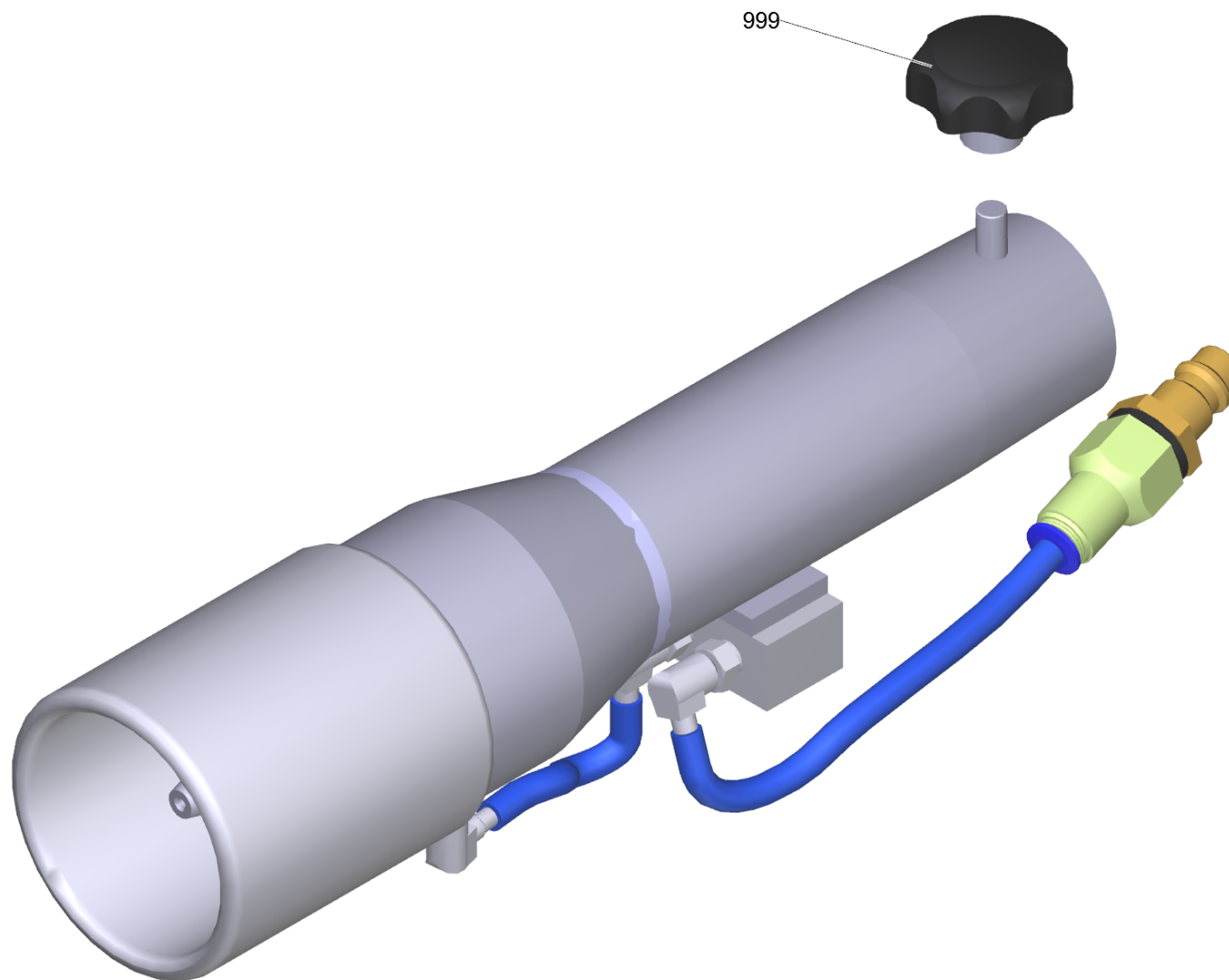
16 Elbow coated el. DN42 (6.902-202.0)

POS	Article no.	Description	Quantity	Unit
999	6.303-555.0	Star grip M6	1.000	ST



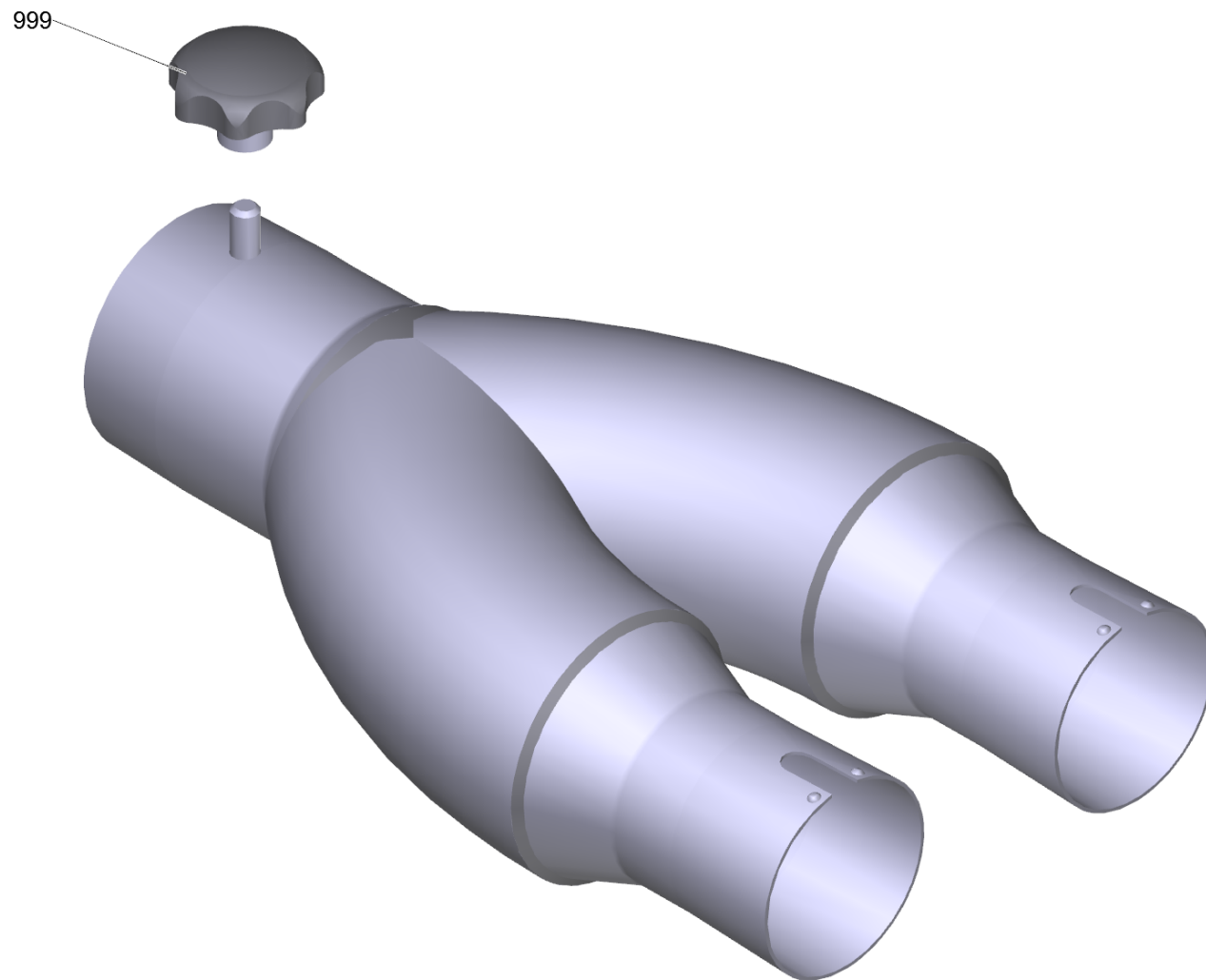
16 Elbow coated el. DN72 (6.902-203.0)

POS	Article no.	Description	Quantity	Unit
999	6.303-554.0	Star grip M8	1.000	ST



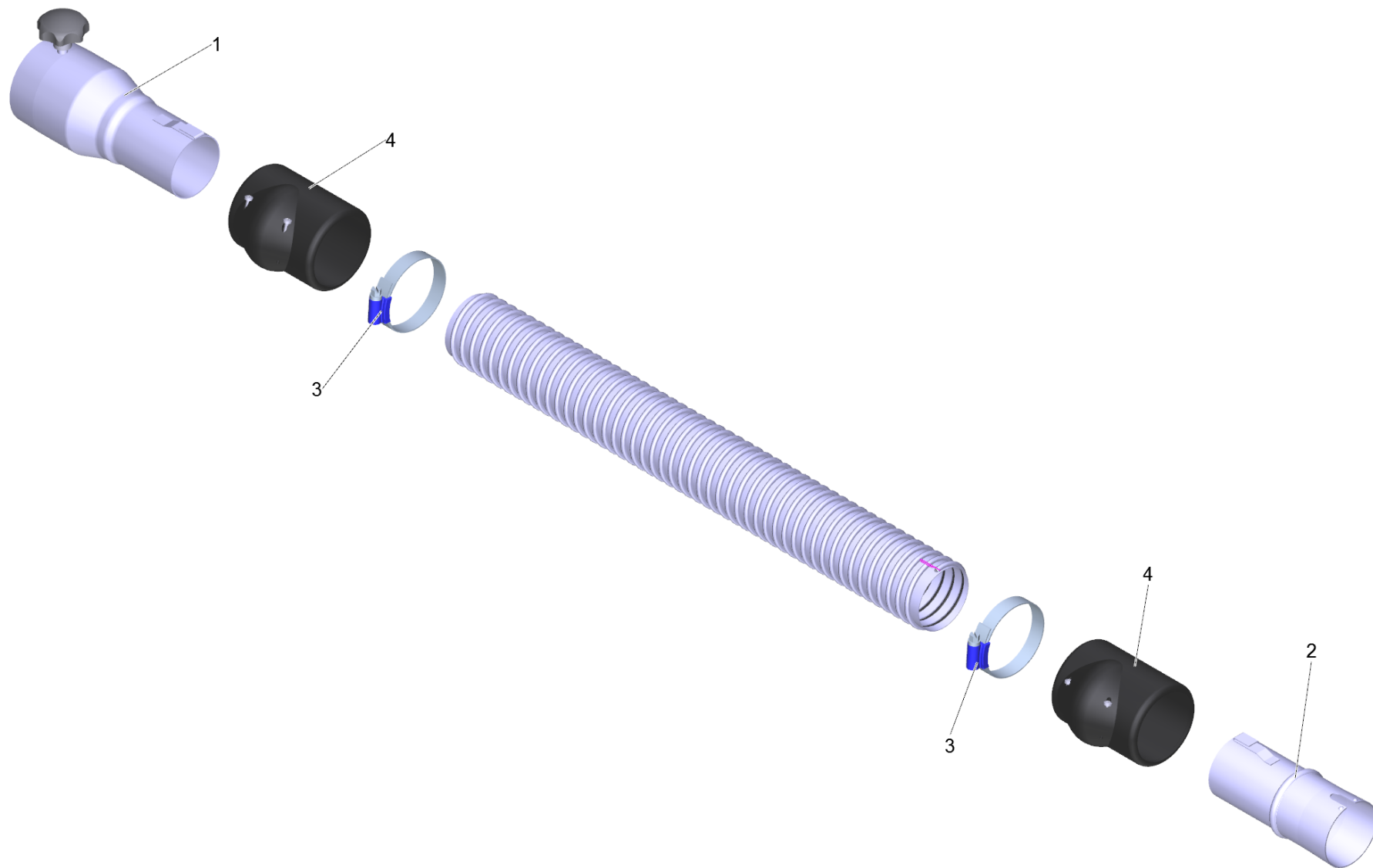
18 Suction and blow nozzle straight DN42 (6.902-205.0)

POS	Article no.	Description	Quantity	Unit
999	6.303-554.0	Star grip M8	1.000	ST



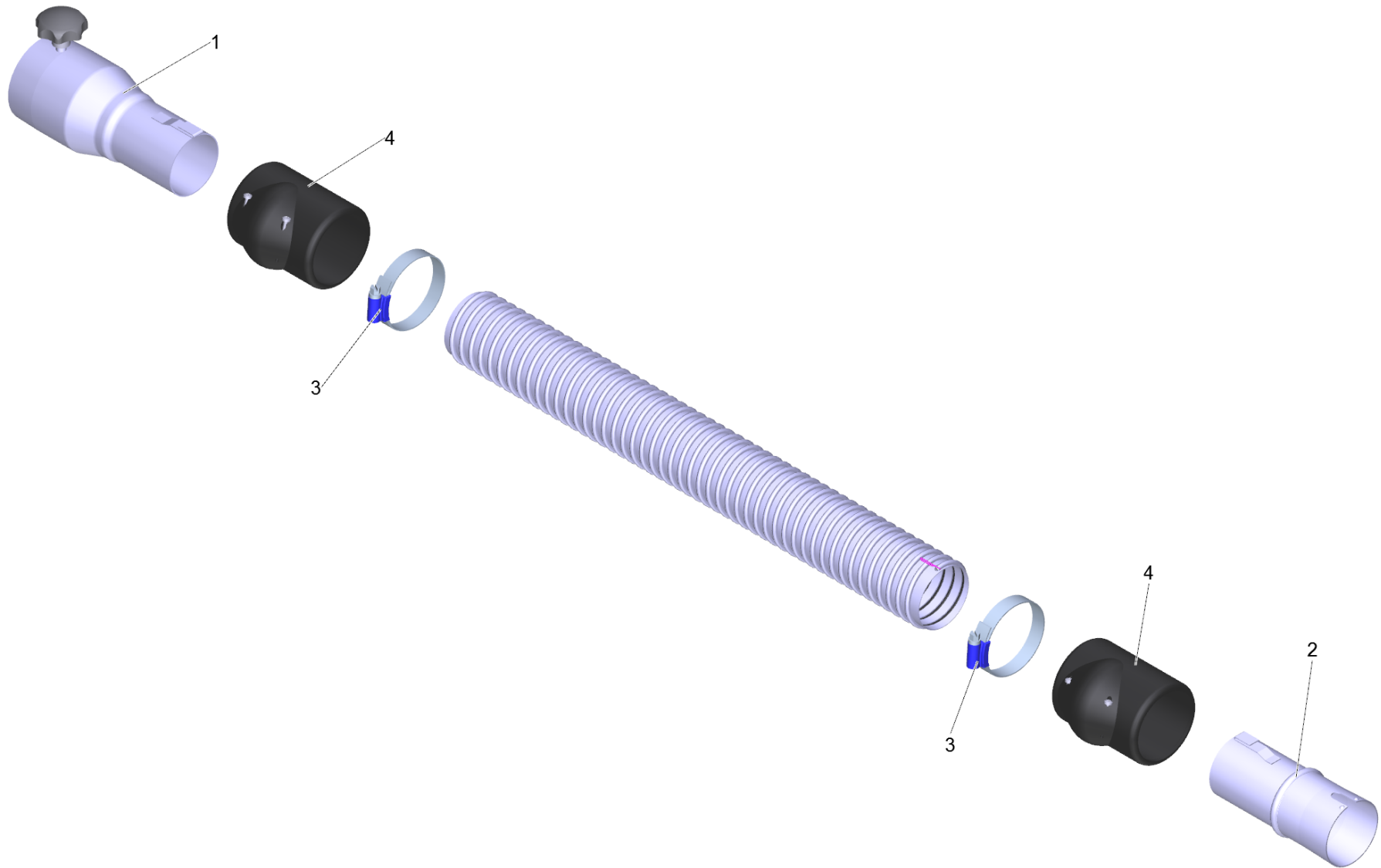
19 Y-Piece DN72 auf 2x DN52 (6.902-206.0)

POS	Article no.	Description	Quantity	Unit
999	6.303-554.0	Star grip M8	1.000	ST



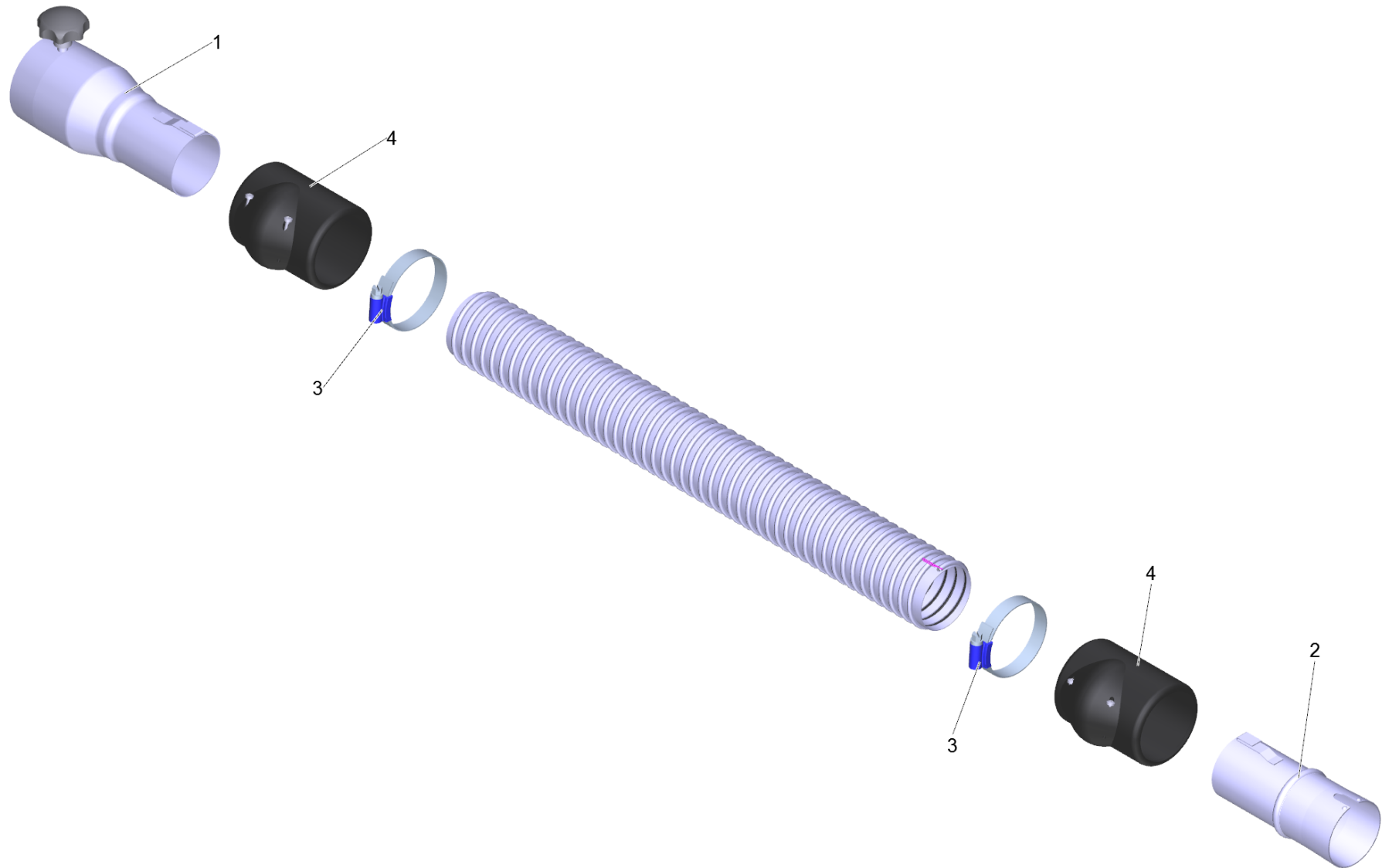
22 Suction hose PVC el. DN42 3m (6.907-292.0)

POS	Article no.	Description	Quantity	Unit
2	6.902-172.0	Accessories connection rotatable DN42	1.000	ST
3	6.902-167.0	Hose clip 40-60 mm	2.000	ST
4	6.902-171.0	Hose collar DN42	2.000	ST
999	7.303-363.0	Sheet metal screw ST3,5X16,0-A2-20H-C-H	1.000	ST
999	6.303-554.0	Star grip M8	1.000	ST
1	6.902-178.0	Vacuum cleaner connection DN72 auf DN42	1.000	ST



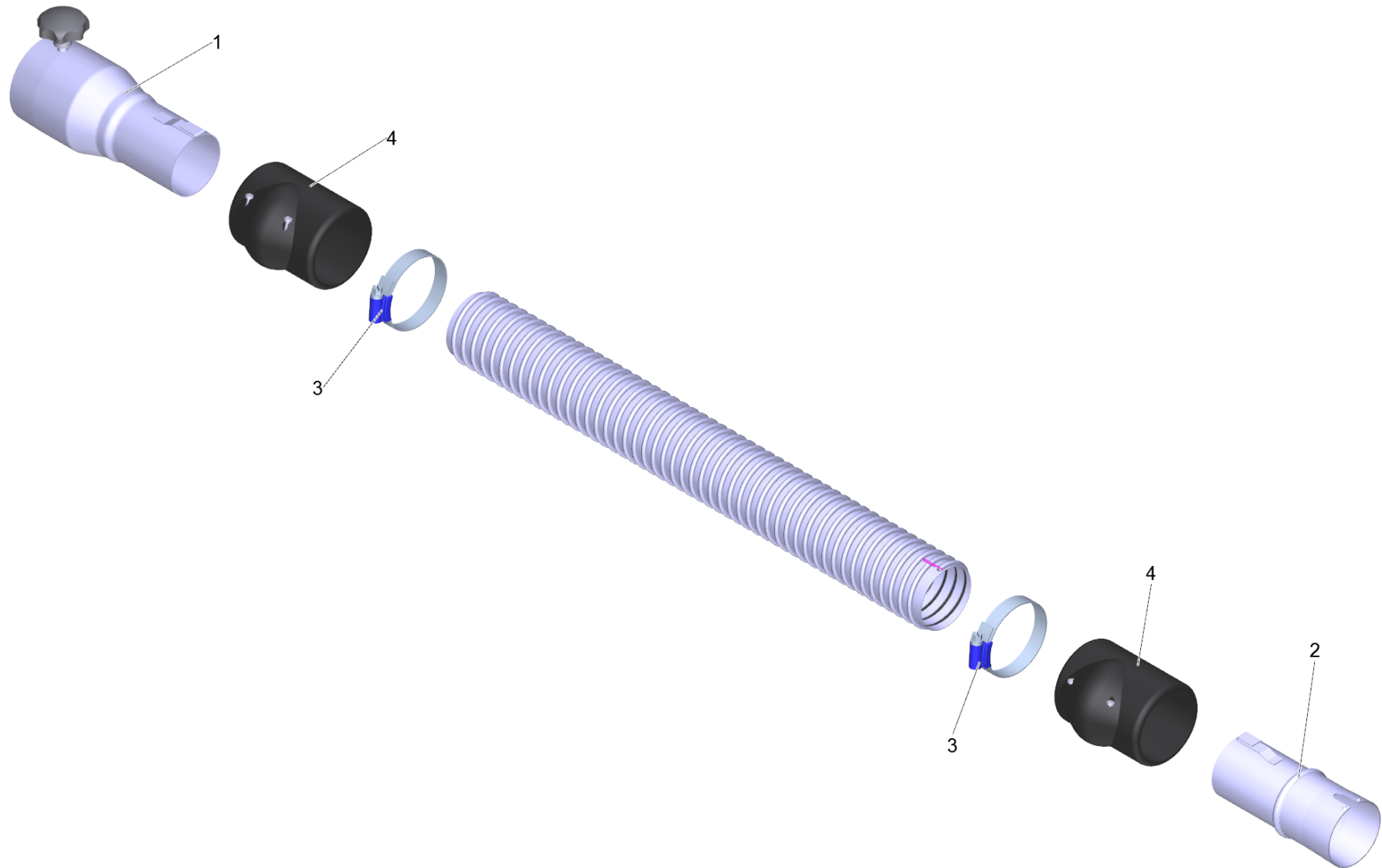
22 Suction hose PVC el. DN42 5m (6.907-293.0)

POS	Article no.	Description	Quantity	Unit
2	6.902-172.0	Accessories connection rotatable DN42	1.000	ST
3	6.902-167.0	Hose clip 40-60 mm	2.000	ST
4	6.902-171.0	Hose collar DN42	2.000	ST
999	7.303-363.0	Sheet metal screw ST3,5X16,0-A2-20H-C-H	1.000	ST
999	6.303-554.0	Star grip M8	1.000	ST
1	6.902-178.0	Vacuum cleaner connection DN72 auf DN42	1.000	ST



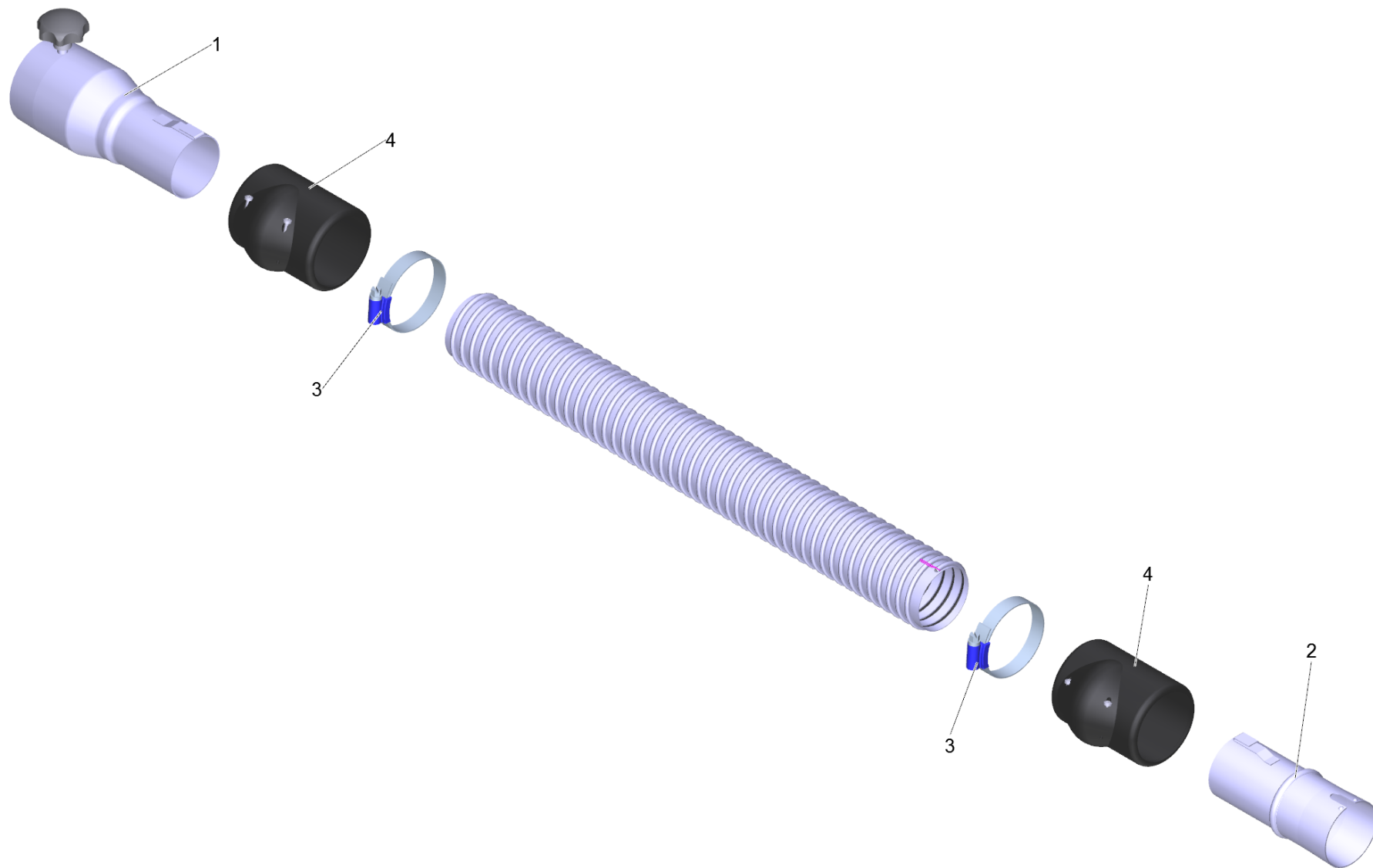
22 Suction hose PVC el. DN52 3m (6.907-294.0)

POS	Article no.	Description	Quantity	Unit
2	6.902-169.0	Accessories connection rotatable DN52	1.000	ST
3	6.902-167.0	Hose clip 40-60 mm	2.000	ST
4	6.902-166.0	Hose collar DN52	2.000	ST
999	7.303-363.0	Sheet metal screw ST3,5X16,0-A2-20H-C-H	1.000	ST
999	6.303-554.0	Star grip M8	1.000	ST
1	6.902-177.0	Vacuum cleaner connection DN72 auf DN52	1.000	ST



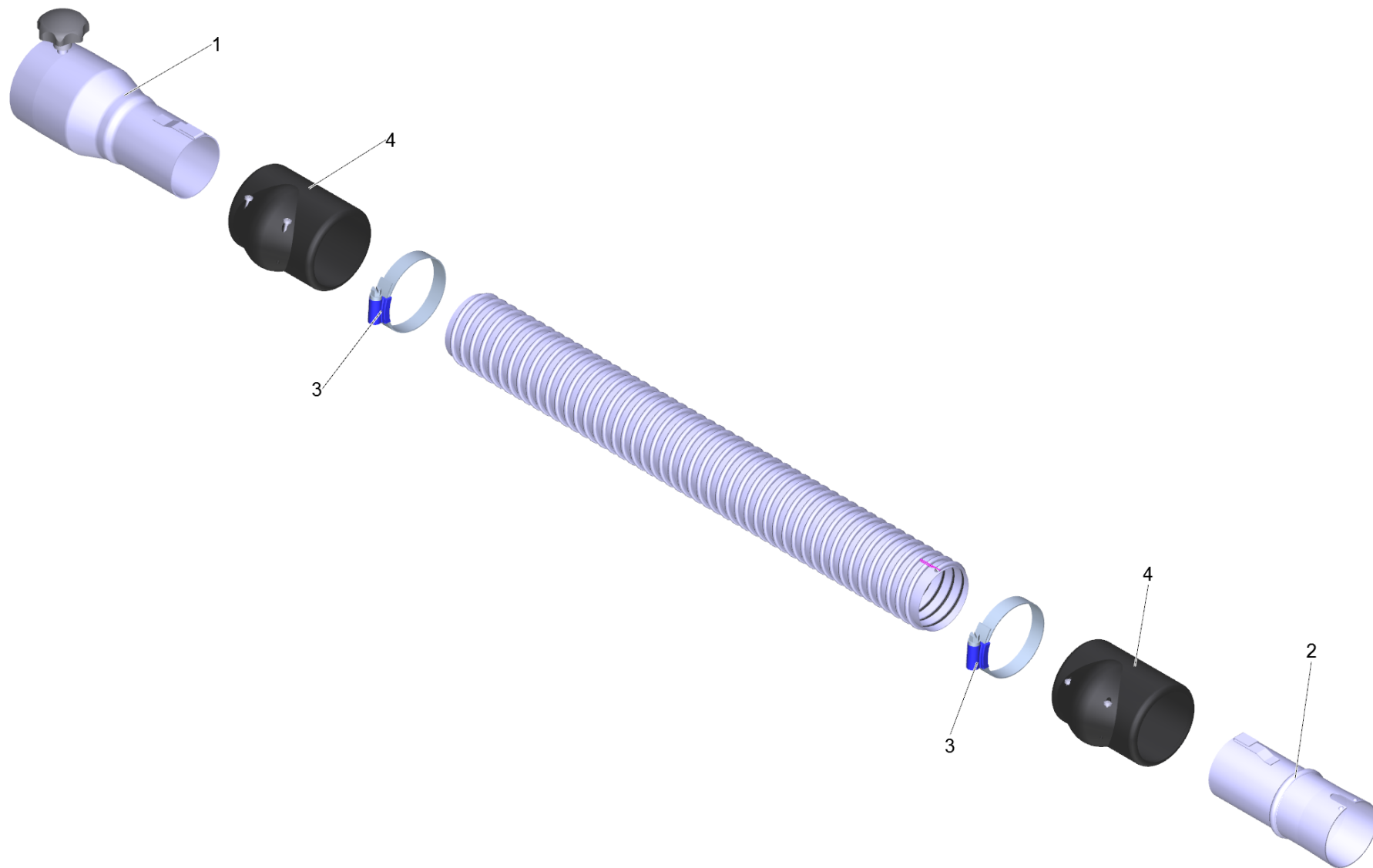
22 Suction hose PVC el. DN52 5m (6.907-295.0)

POS	Article no.	Description	Quantity	Unit
2	6.902-169.0	Accessories connection rotatable DN52	1.000	ST
3	6.902-167.0	Hose clip 40-60 mm	2.000	ST
4	6.902-166.0	Hose collar DN52	2.000	ST
999	7.303-363.0	Sheet metal screw ST3,5X16,0-A2-20H-C-H	1.000	ST
999	6.303-554.0	Star grip M8	1.000	ST
1	6.902-177.0	Vacuum cleaner connection DN72 auf DN52	1.000	ST



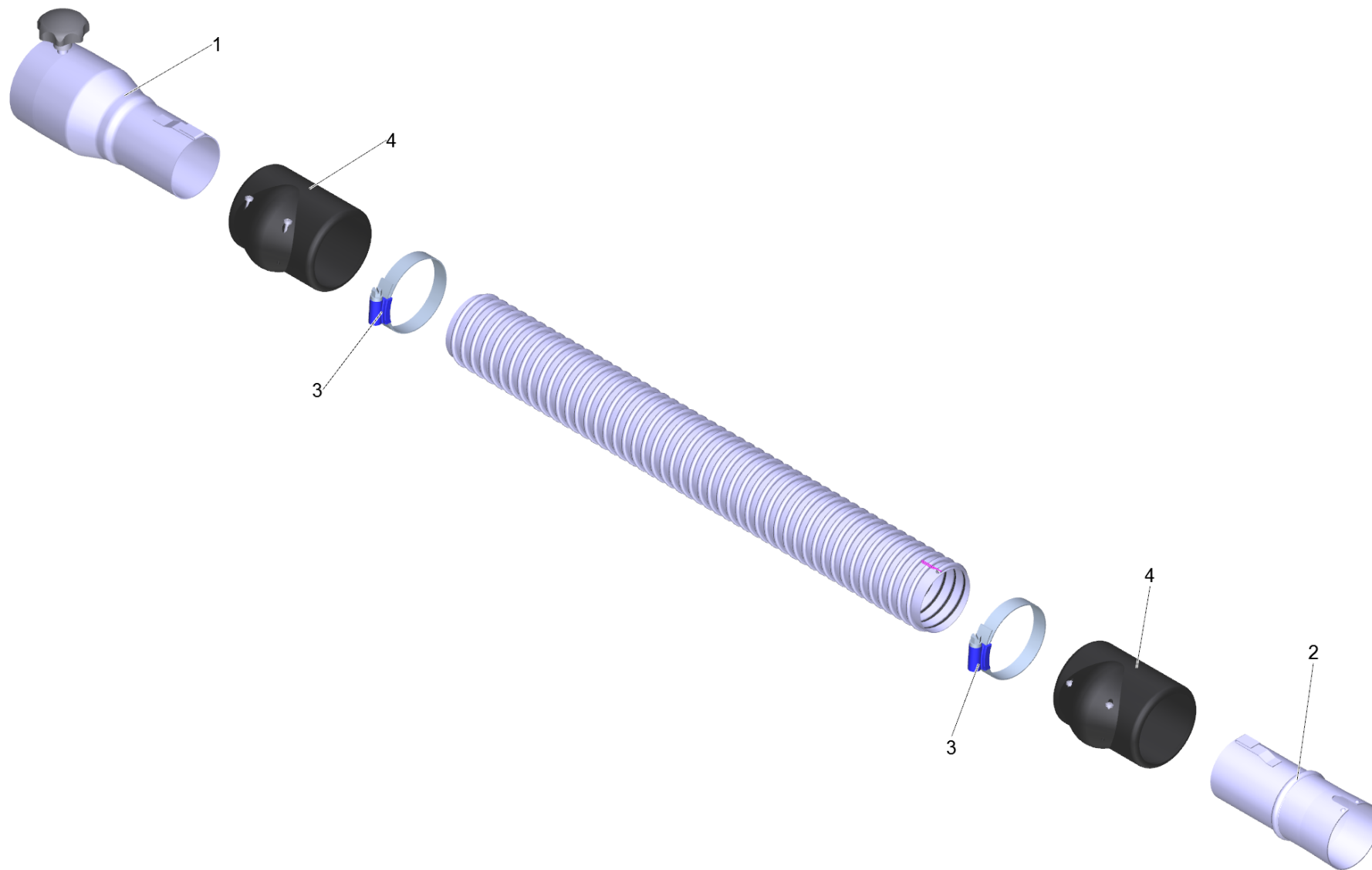
22 Suction hose PVC el. DN72 3m (6.907-296.0)

POS	Article no.	Description	Quantity	Unit
1	6.902-173.0	Accessories connection DN72	1.000	ST
2	6.902-175.0	Accessories connection rotatable DN72	1.000	ST
3	6.902-176.0	Hose clip 60-80 mm	2.000	ST
4	6.902-174.0	Hose collar DN72	2.000	ST
999	7.303-363.0	Sheet metal screw ST3,5X16,0-A2-20H-C-H	1.000	ST
999	6.303-554.0	Star grip M8	1.000	ST



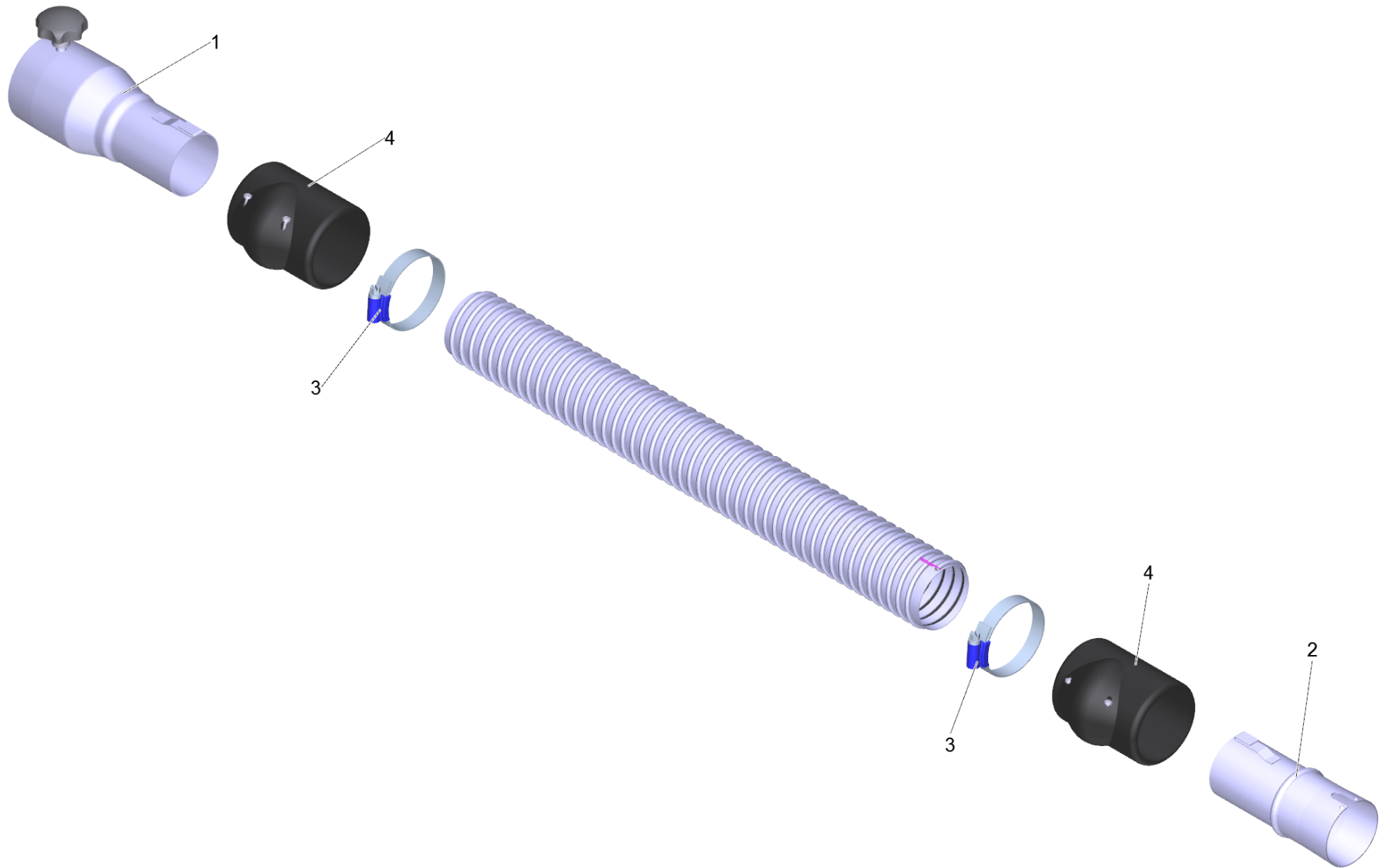
22 Suction hose PVC el. DN72 5m (6.907-297.0)

POS	Article no.	Description	Quantity	Unit
1	6.902-173.0	Accessories connection DN72	1.000	ST
2	6.902-175.0	Accessories connection rotatable DN72	1.000	ST
3	6.902-176.0	Hose clip 60-80 mm	2.000	ST
4	6.902-174.0	Hose collar DN72	2.000	ST
999	7.303-363.0	Sheet metal screw ST3,5X16,0-A2-20H-C-H	1.000	ST
999	6.303-554.0	Star grip M8	1.000	ST



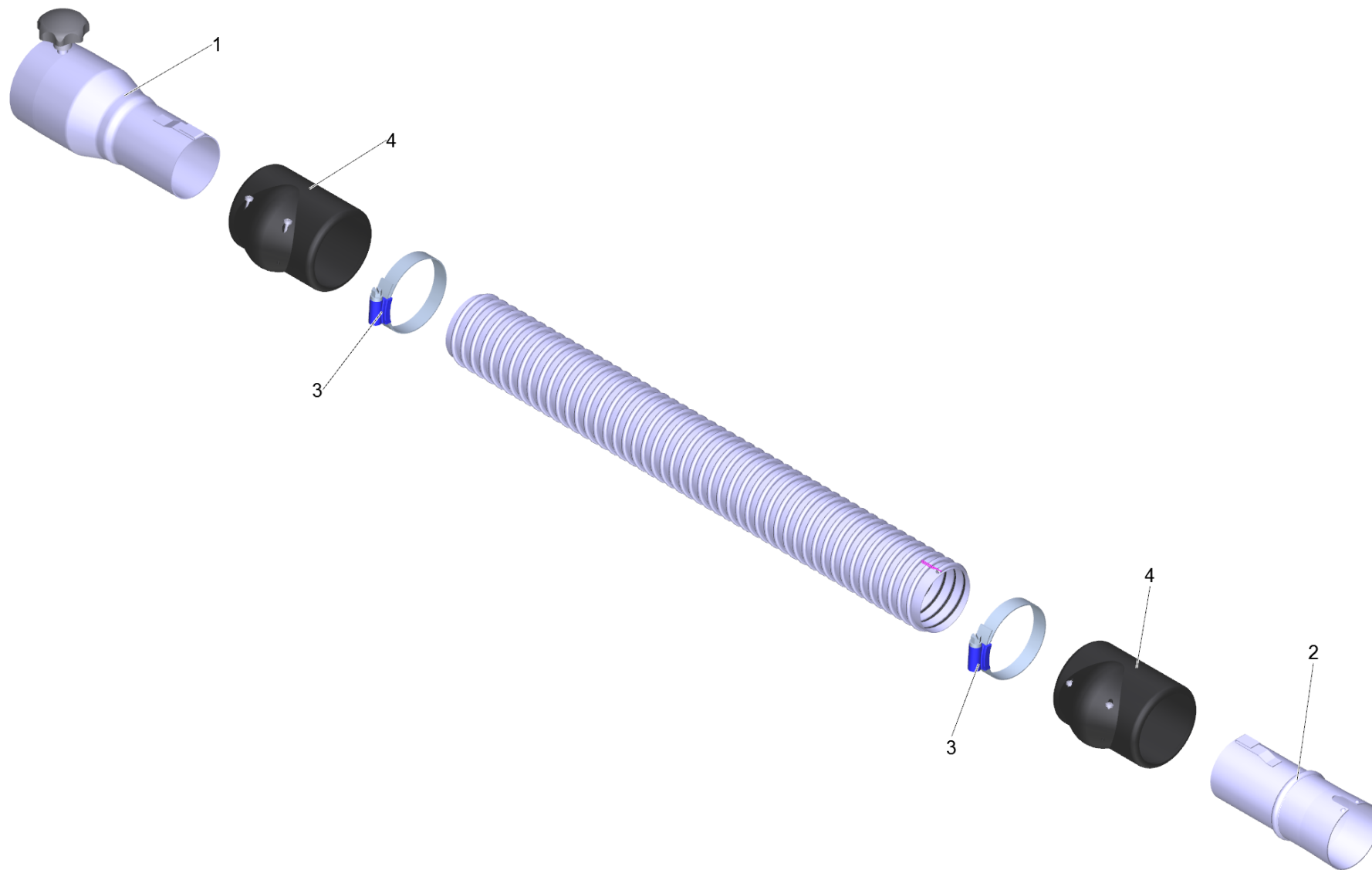
22 Suction hose PU el. DN42 3m (6.907-298.0)

POS	Article no.	Description	Quantity	Unit
2	6.902-172.0	Accessories connection rotatable DN42	1.000	ST
3	6.902-167.0	Hose clip 40-60 mm	2.000	ST
4	6.902-171.0	Hose collar DN42	2.000	ST
999	7.303-363.0	Sheet metal screw ST3,5X16,0-A2-20H-C-H	1.000	ST
999	6.303-554.0	Star grip M8	1.000	ST
1	6.902-178.0	Vacuum cleaner connection DN72 auf DN42	1.000	ST



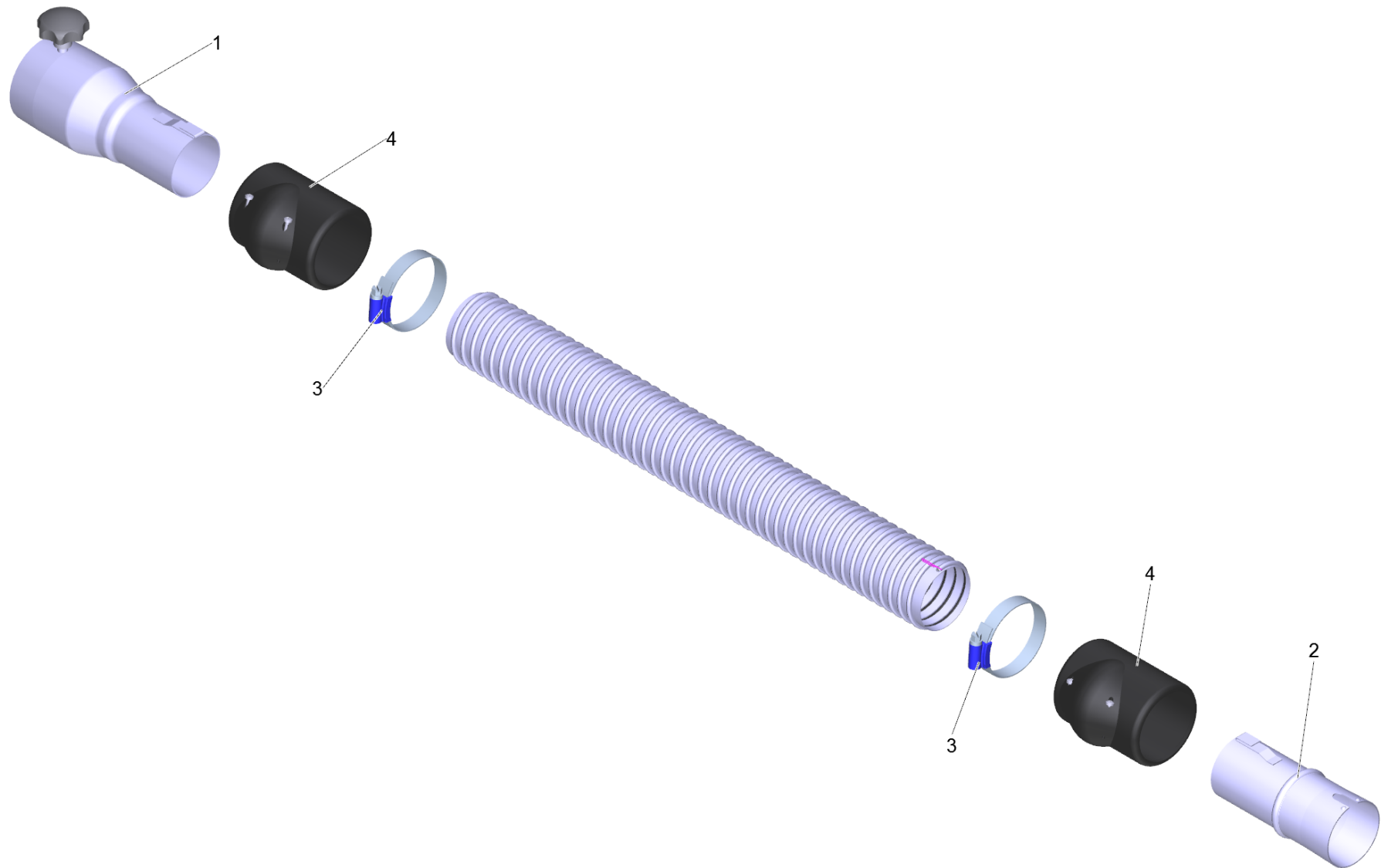
22 Suction hose PU el. DN42 5m (6.907-299.0)

POS	Article no.	Description	Quantity	Unit
2	6.902-172.0	Accessories connection rotatable DN42	1.000	ST
3	6.902-167.0	Hose clip 40-60 mm	2.000	ST
4	6.902-171.0	Hose collar DN42	2.000	ST
999	7.303-363.0	Sheet metal screw ST3,5X16,0-A2-20H-C-H	1.000	ST
999	6.303-554.0	Star grip M8	1.000	ST
1	6.902-178.0	Vacuum cleaner connection DN72 auf DN42	1.000	ST



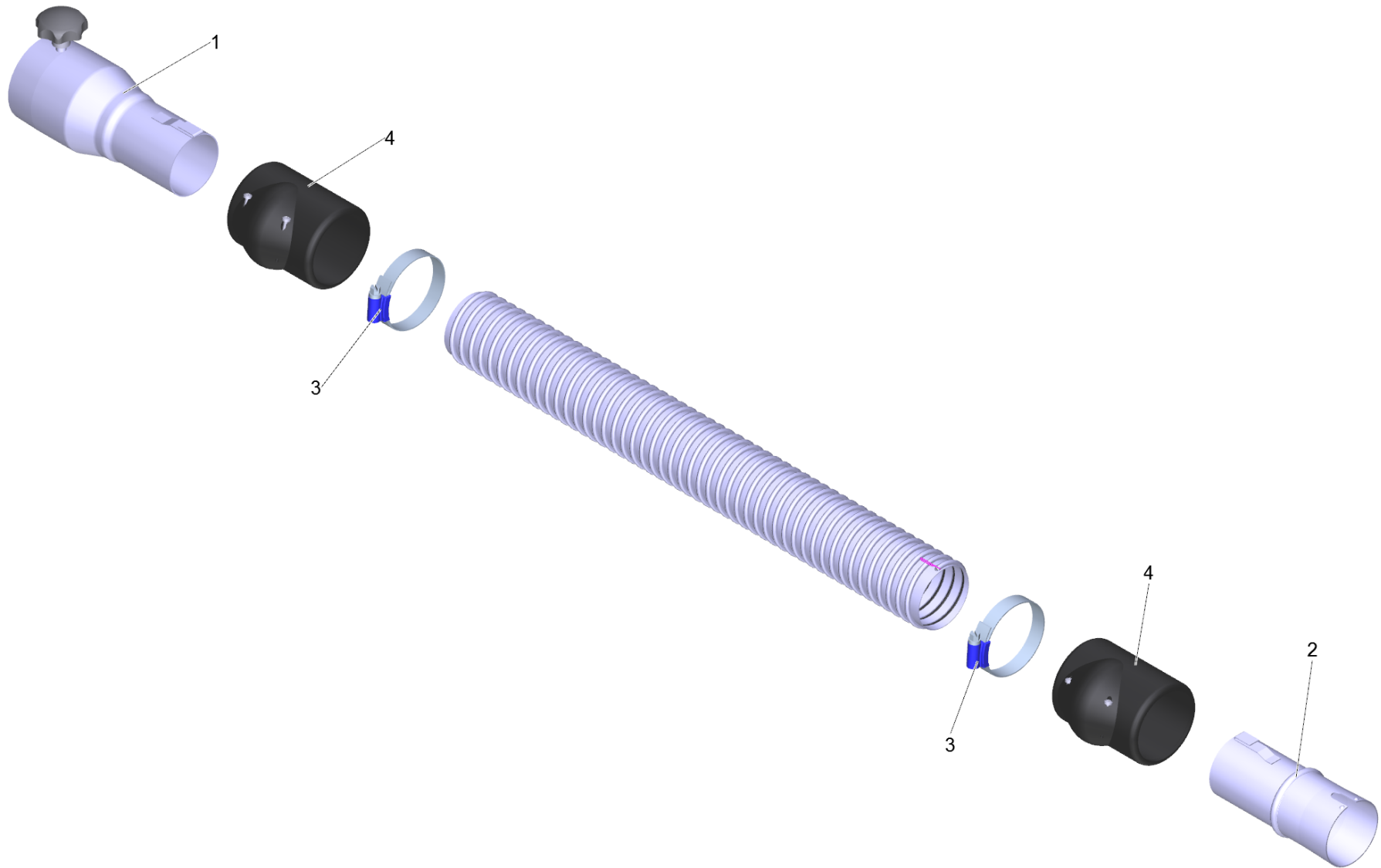
22 Suction hose PU el. DN52 3m (6.907-300.0)

POS	Article no.	Description	Quantity	Unit
2	6.902-169.0	Accessories connection rotatable DN52	1.000	ST
3	6.902-167.0	Hose clip 40-60 mm	2.000	ST
4	6.902-166.0	Hose collar DN52	2.000	ST
999	7.303-363.0	Sheet metal screw ST3,5X16,0-A2-20H-C-H	1.000	ST
999	6.303-554.0	Star grip M8	1.000	ST
1	6.902-177.0	Vacuum cleaner connection DN72 auf DN52	1.000	ST



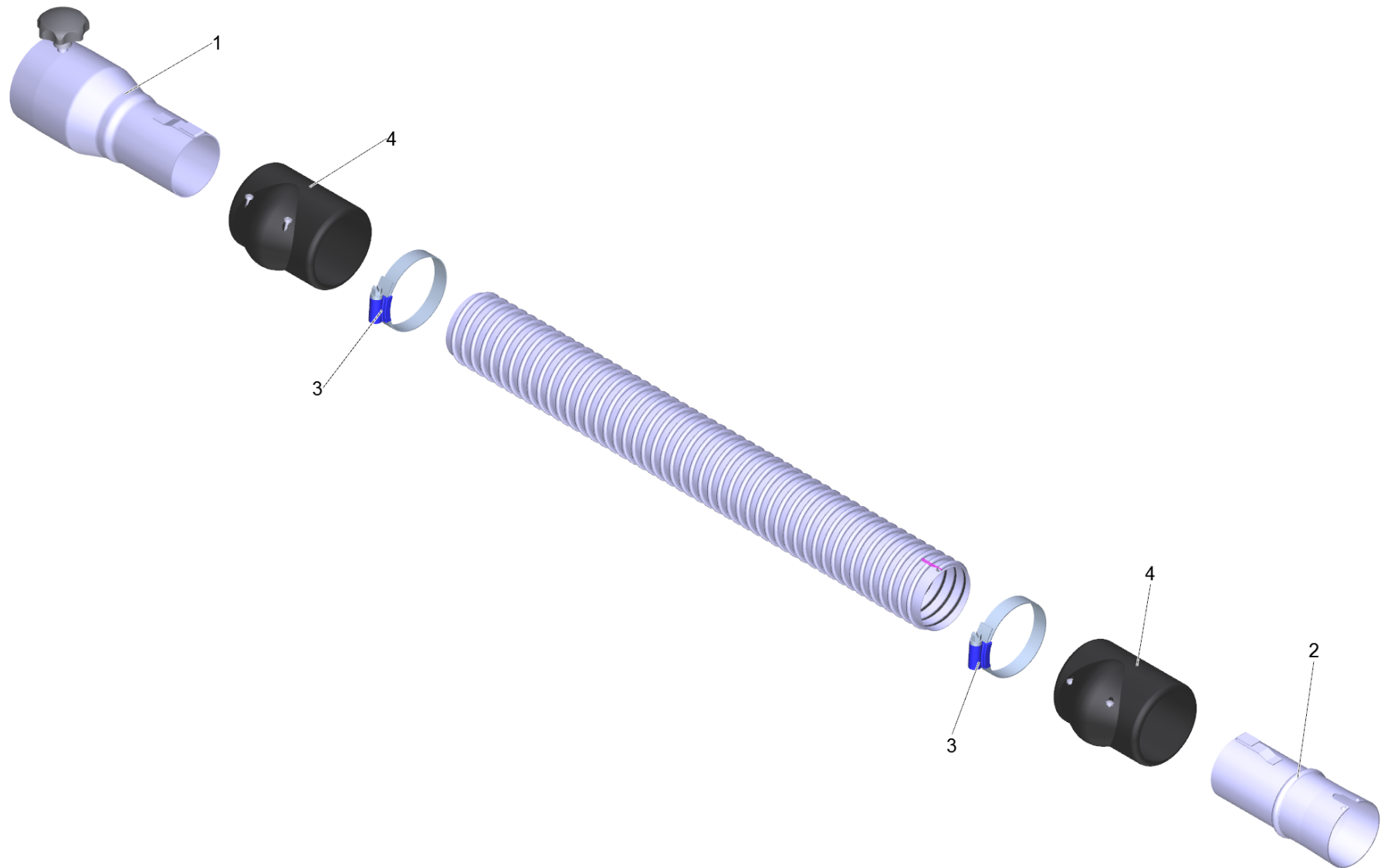
22 Suction hose PU el. DN52 5m (6.907-301.0)

POS	Article no.	Description	Quantity	Unit
2	6.902-169.0	Accessories connection rotatable DN52	1.000	ST
3	6.902-167.0	Hose clip 40-60 mm	2.000	ST
4	6.902-166.0	Hose collar DN52	2.000	ST
999	7.303-363.0	Sheet metal screw ST3,5X16,0-A2-20H-C-H	1.000	ST
999	6.303-554.0	Star grip M8	1.000	ST
1	6.902-177.0	Vacuum cleaner connection DN72 auf DN52	1.000	ST



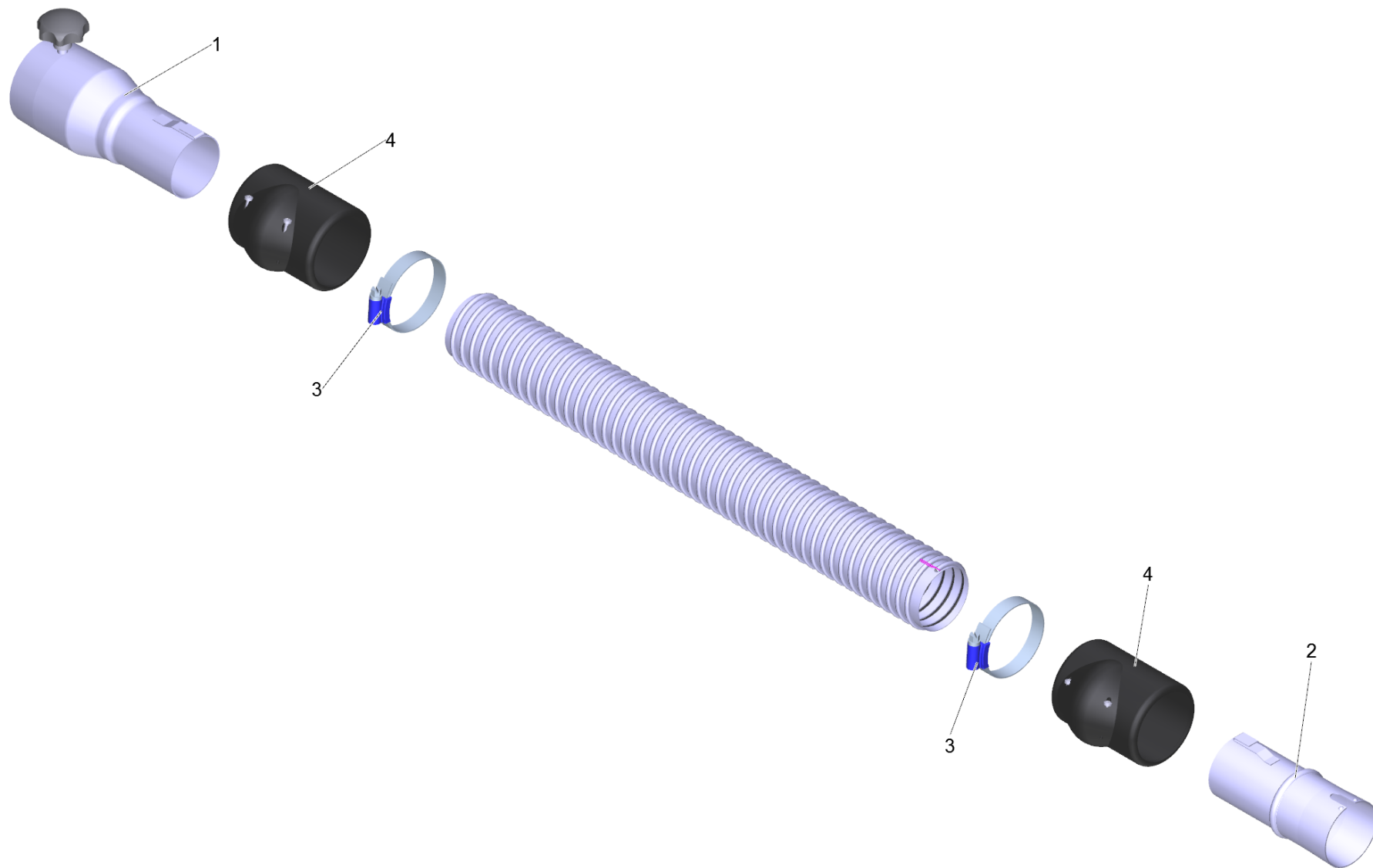
22 Suction hose PU el. DN72 3m (6.907-302.0)

POS	Article no.	Description	Quantity	Unit
1	6.902-173.0	Accessories connection DN72	1.000	ST
2	6.902-175.0	Accessories connection rotatable DN72	1.000	ST
3	6.902-176.0	Hose clip 60-80 mm	2.000	ST
4	6.902-174.0	Hose collar DN72	2.000	ST
999	7.303-363.0	Sheet metal screw ST3,5X16,0-A2-20H-C-H	1.000	ST
999	6.303-554.0	Star grip M8	1.000	ST



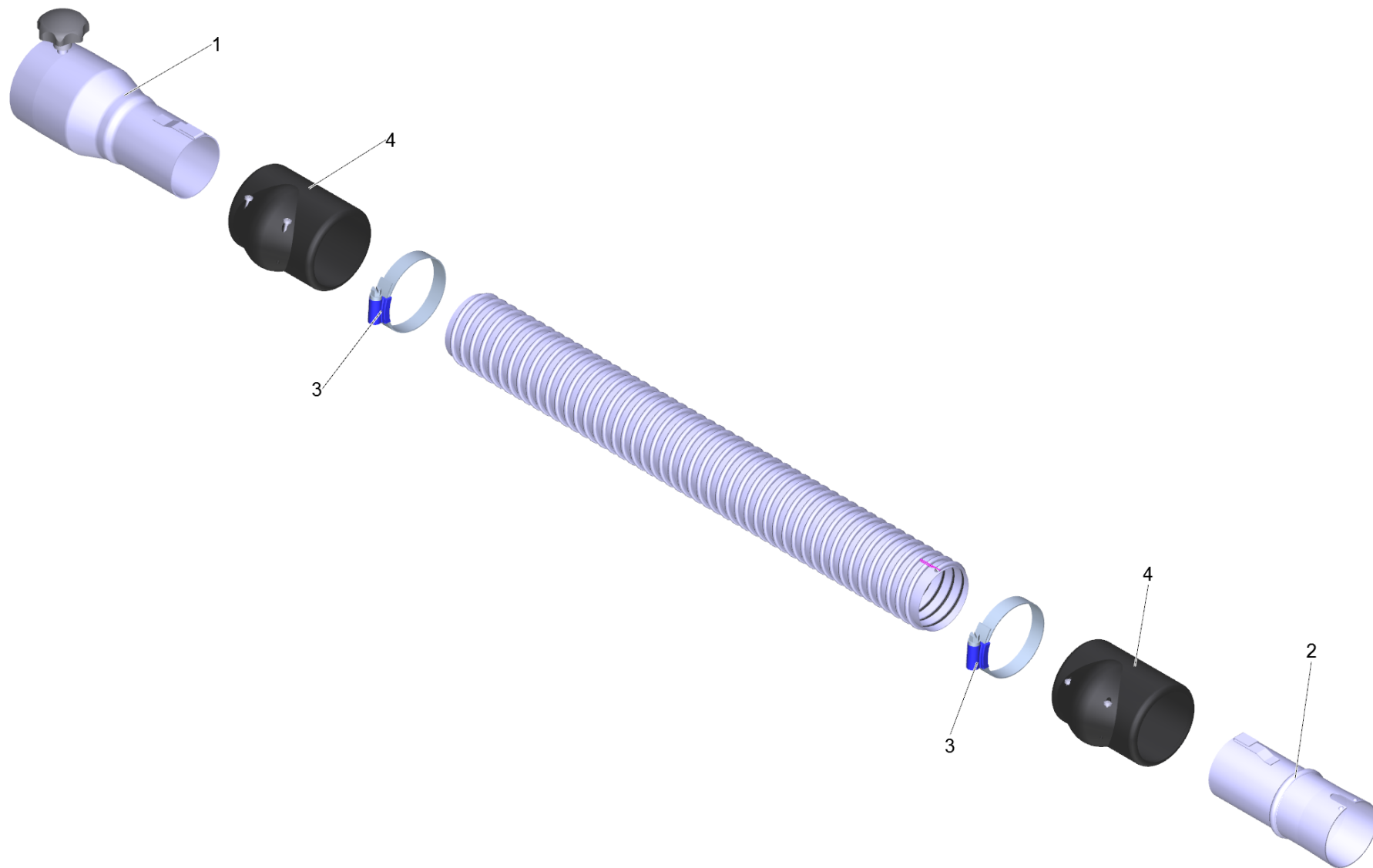
22 Suction hose PU el. DN72 5m (6.907-303.0)

POS	Article no.	Description	Quantity	Unit
1	6.902-173.0	Accessories connection DN72	1.000	ST
2	6.902-175.0	Accessories connection rotatable DN72	1.000	ST
3	6.902-176.0	Hose clip 60-80 mm	2.000	ST
4	6.902-174.0	Hose collar DN72	2.000	ST
999	7.303-363.0	Sheet metal screw ST3,5X16,0-A2-20H-C-H	1.000	ST
999	6.303-554.0	Star grip M8	1.000	ST



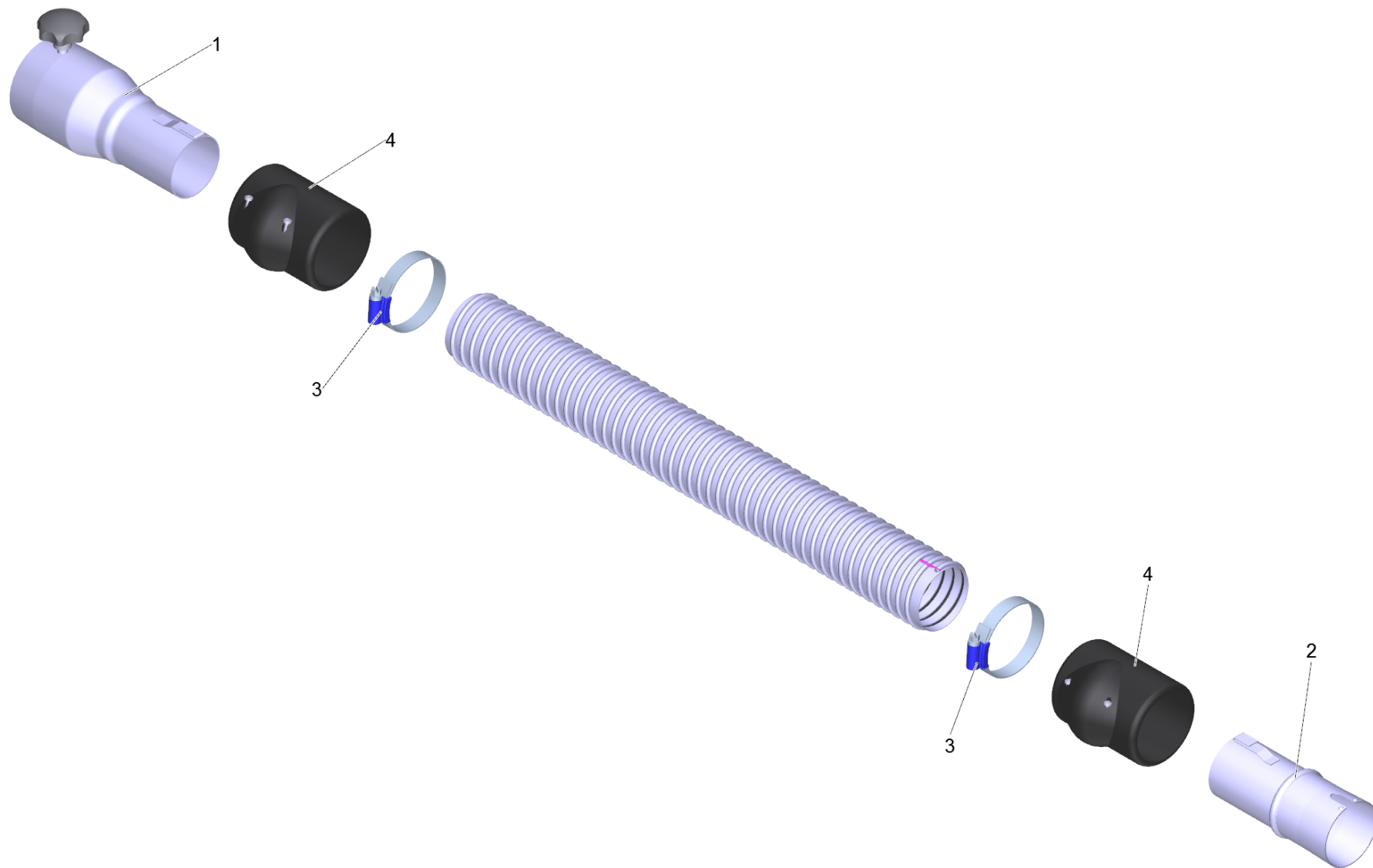
22 Suction hose ME-PU el. DN42 3m (6.907-304.0)

POS	Article no.	Description	Quantity	Unit
2	6.902-172.0	Accessories connection rotatable DN42	1.000	ST
3	6.902-167.0	Hose clip 40-60 mm	2.000	ST
4	6.902-171.0	Hose collar DN42	2.000	ST
999	7.303-363.0	Sheet metal screw ST3,5X16,0-A2-20H-C-H	1.000	ST
999	6.303-554.0	Star grip M8	1.000	ST
1	6.902-178.0	Vacuum cleaner connection DN72 auf DN42	1.000	ST



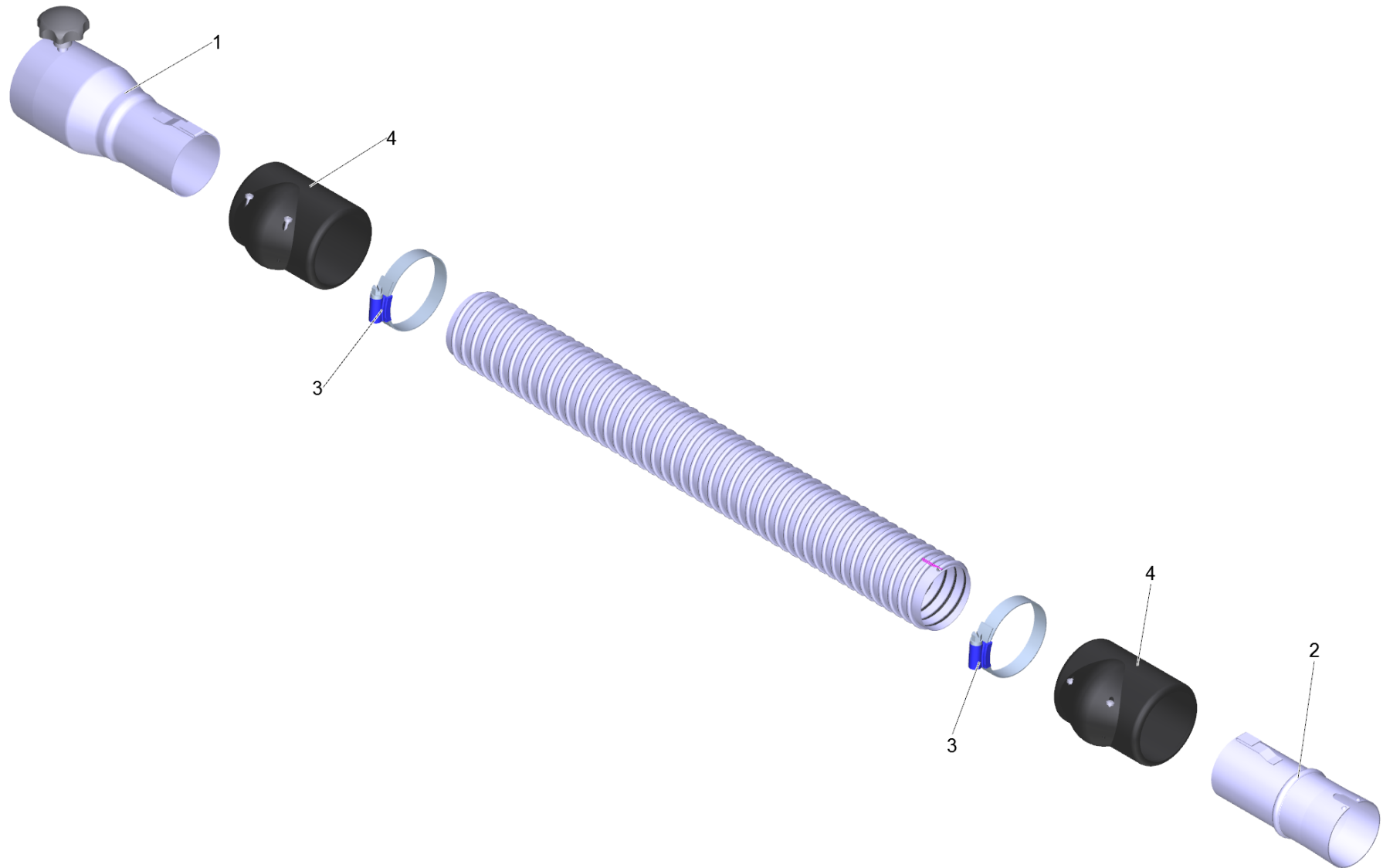
22 Suction hose ME-PU el. DN42 5m (6.907-305.0)

POS	Article no.	Description	Quantity	Unit
2	6.902-172.0	Accessories connection rotatable DN42	1.000	ST
3	6.902-167.0	Hose clip 40-60 mm	2.000	ST
4	6.902-171.0	Hose collar DN42	2.000	ST
999	7.303-363.0	Sheet metal screw ST3,5X16,0-A2-20H-C-H	1.000	ST
999	6.303-554.0	Star grip M8	1.000	ST
1	6.902-178.0	Vacuum cleaner connection DN72 auf DN42	1.000	ST



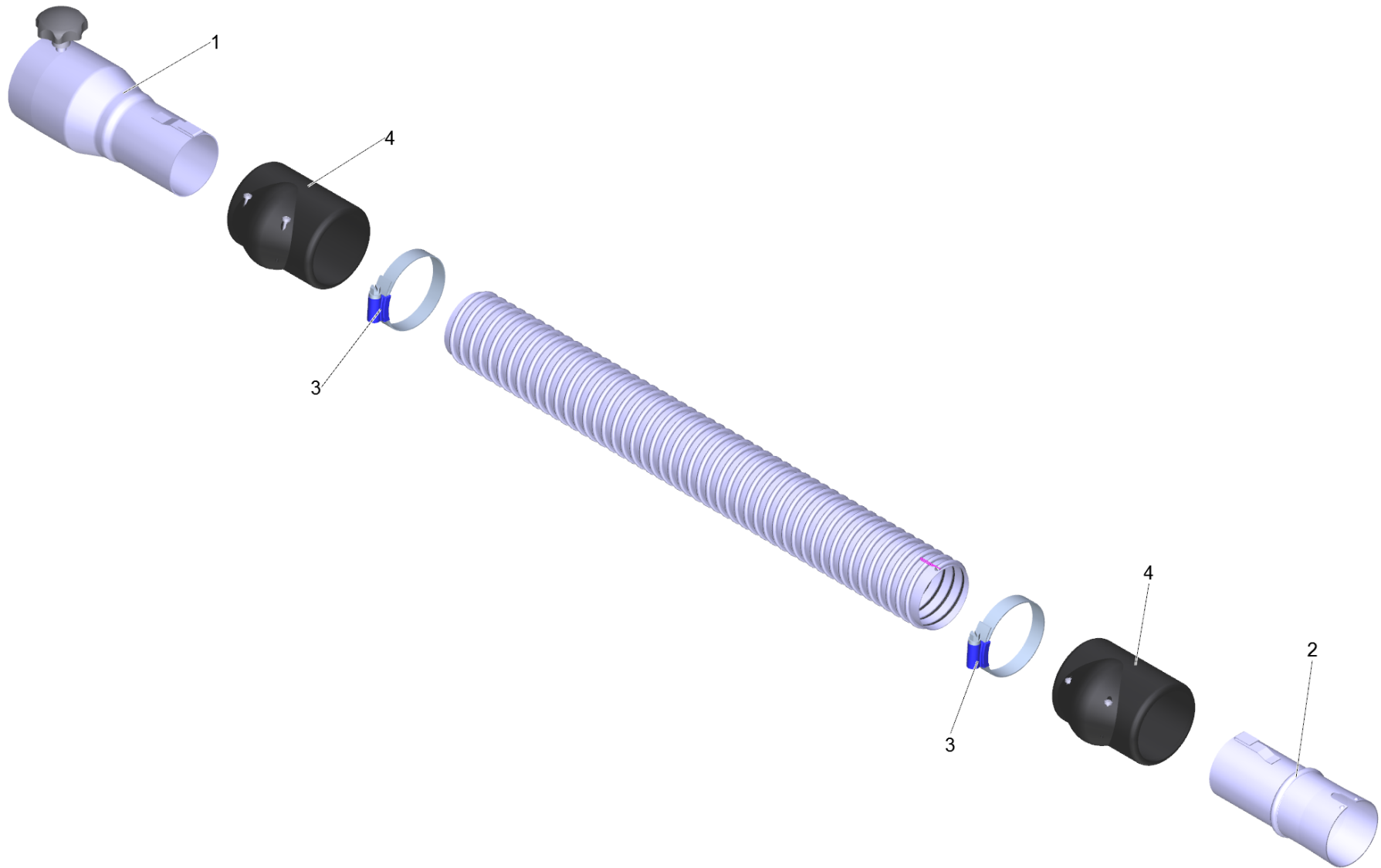
22 Suction hose ME-PU el. DN52 3m (6.907-306.0)

POS	Article no.	Description	Quantity	Unit
2	6.902-169.0	Accessories connection rotatable DN52	1.000	ST
3	6.902-167.0	Hose clip 40-60 mm	2.000	ST
4	6.902-166.0	Hose collar DN52	2.000	ST
999	7.303-363.0	Sheet metal screw ST3,5X16,0-A2-20H-C-H	1.000	ST
999	6.303-554.0	Star grip M8	1.000	ST
1	6.902-177.0	Vacuum cleaner connection DN72 auf DN52	1.000	ST



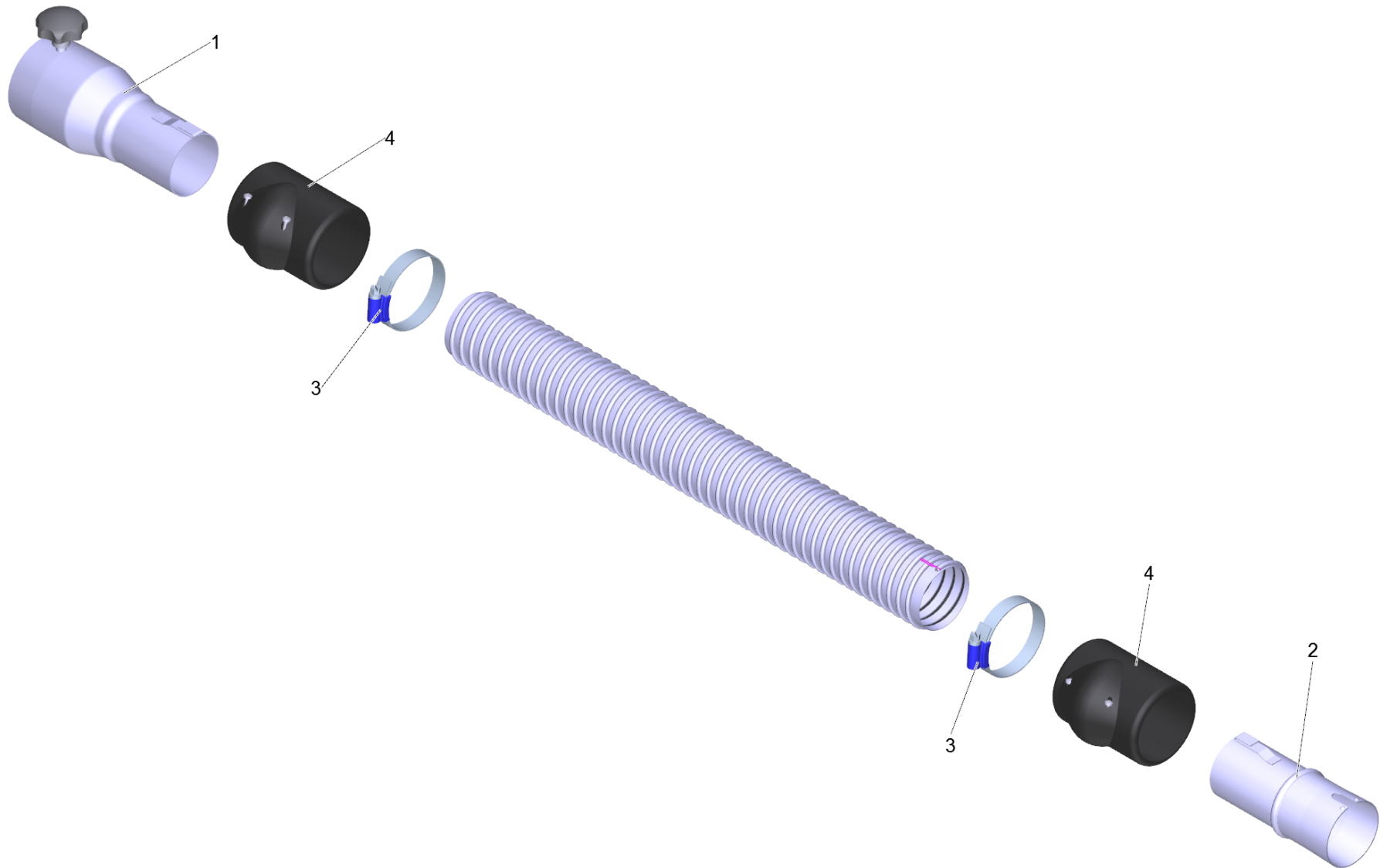
22 Suction hose ME-PU el. DN52 5m (6.907-307.0)

POS	Article no.	Description	Quantity	Unit
2	6.902-169.0	Accessories connection rotatable DN52	1.000	ST
3	6.902-167.0	Hose clip 40-60 mm	2.000	ST
4	6.902-166.0	Hose collar DN52	2.000	ST
999	7.303-363.0	Sheet metal screw ST3,5X16,0-A2-20H-C-H	1.000	ST
999	6.303-554.0	Star grip M8	1.000	ST
1	6.902-177.0	Vacuum cleaner connection DN72 auf DN52	1.000	ST



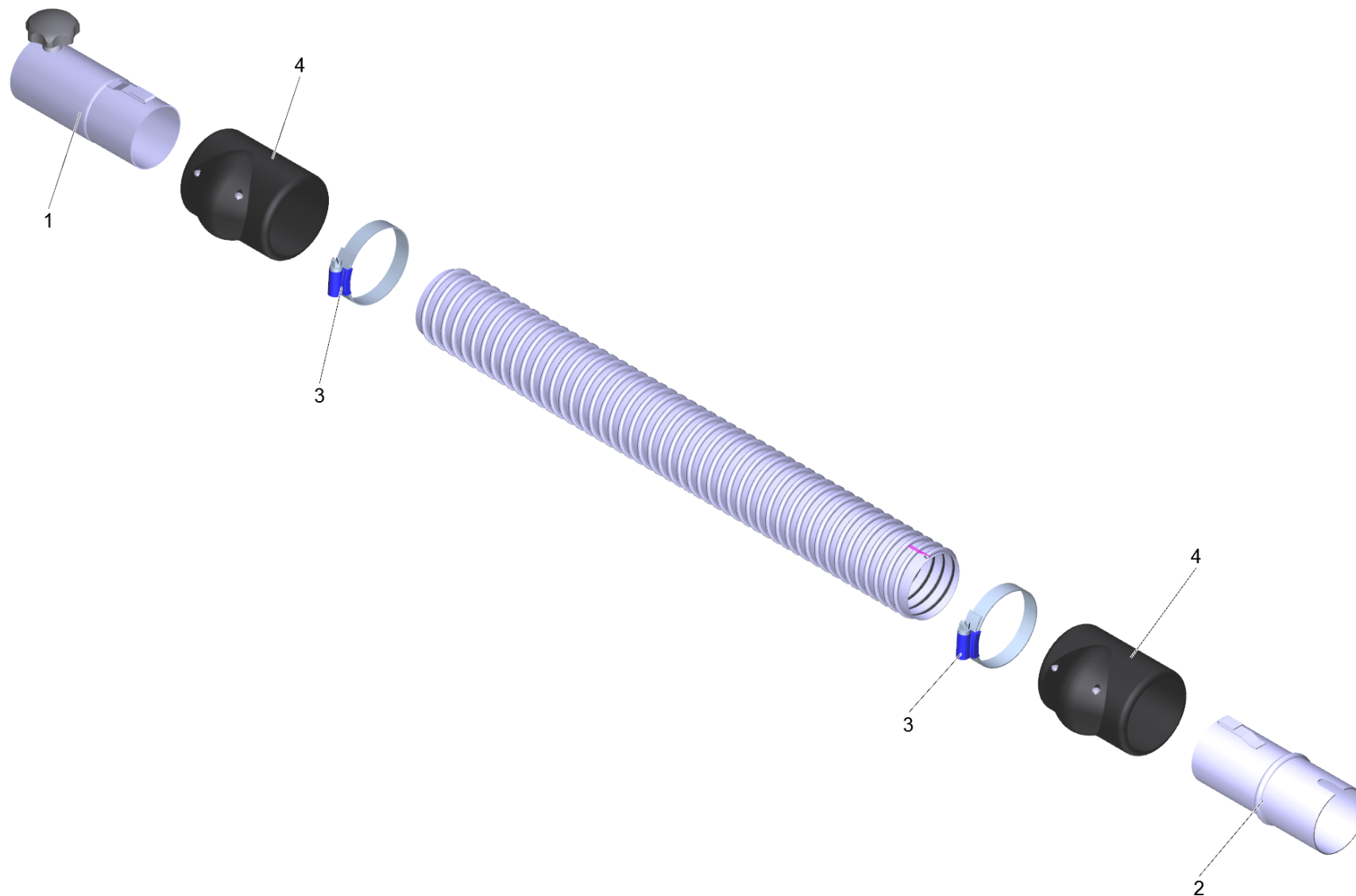
22 Suction hose ME-PU el. DN72 3m (6.907-308.0)

POS	Article no.	Description	Quantity	Unit
1	6.902-173.0	Accessories connection DN72	1.000	ST
2	6.902-175.0	Accessories connection rotatable DN72	1.000	ST
3	6.902-176.0	Hose clip 60-80 mm	2.000	ST
4	6.902-174.0	Hose collar DN72	2.000	ST
999	7.303-363.0	Sheet metal screw ST3,5X16,0-A2-20H-C-H	1.000	ST
999	6.303-554.0	Star grip M8	1.000	ST



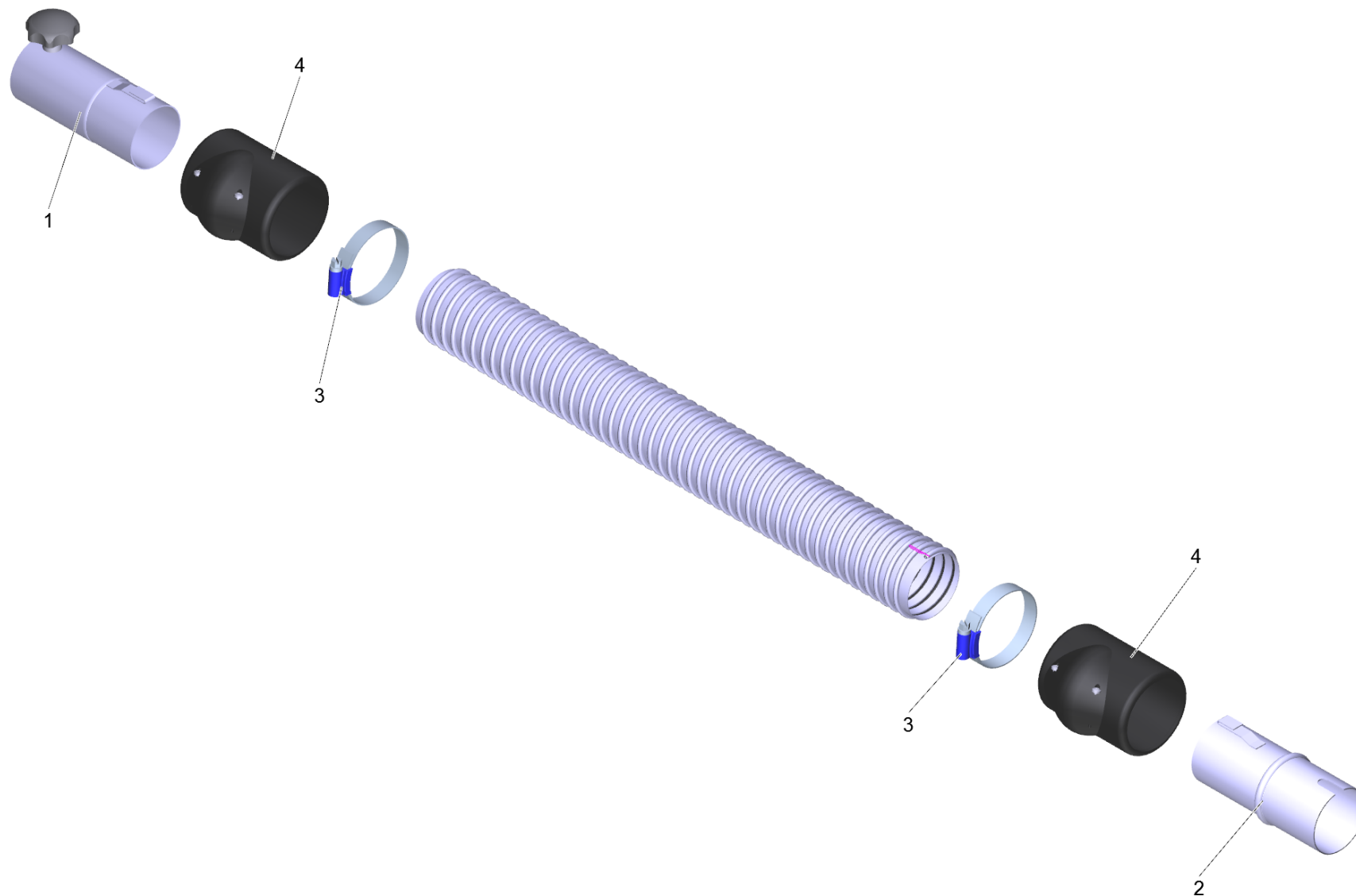
22 Suction hose ME-PU el. DN72 5m (6.907-309.0)

POS	Article no.	Description	Quantity	Unit
1	6.902-173.0	Accessories connection DN72	1.000	ST
2	6.902-175.0	Accessories connection rotatable DN72	1.000	ST
3	6.902-176.0	Hose clip 60-80 mm	2.000	ST
4	6.902-174.0	Hose collar DN72	2.000	ST
999	7.303-363.0	Sheet metal screw ST3,5X16,0-A2-20H-C-H	1.000	ST
999	6.303-554.0	Star grip M8	1.000	ST



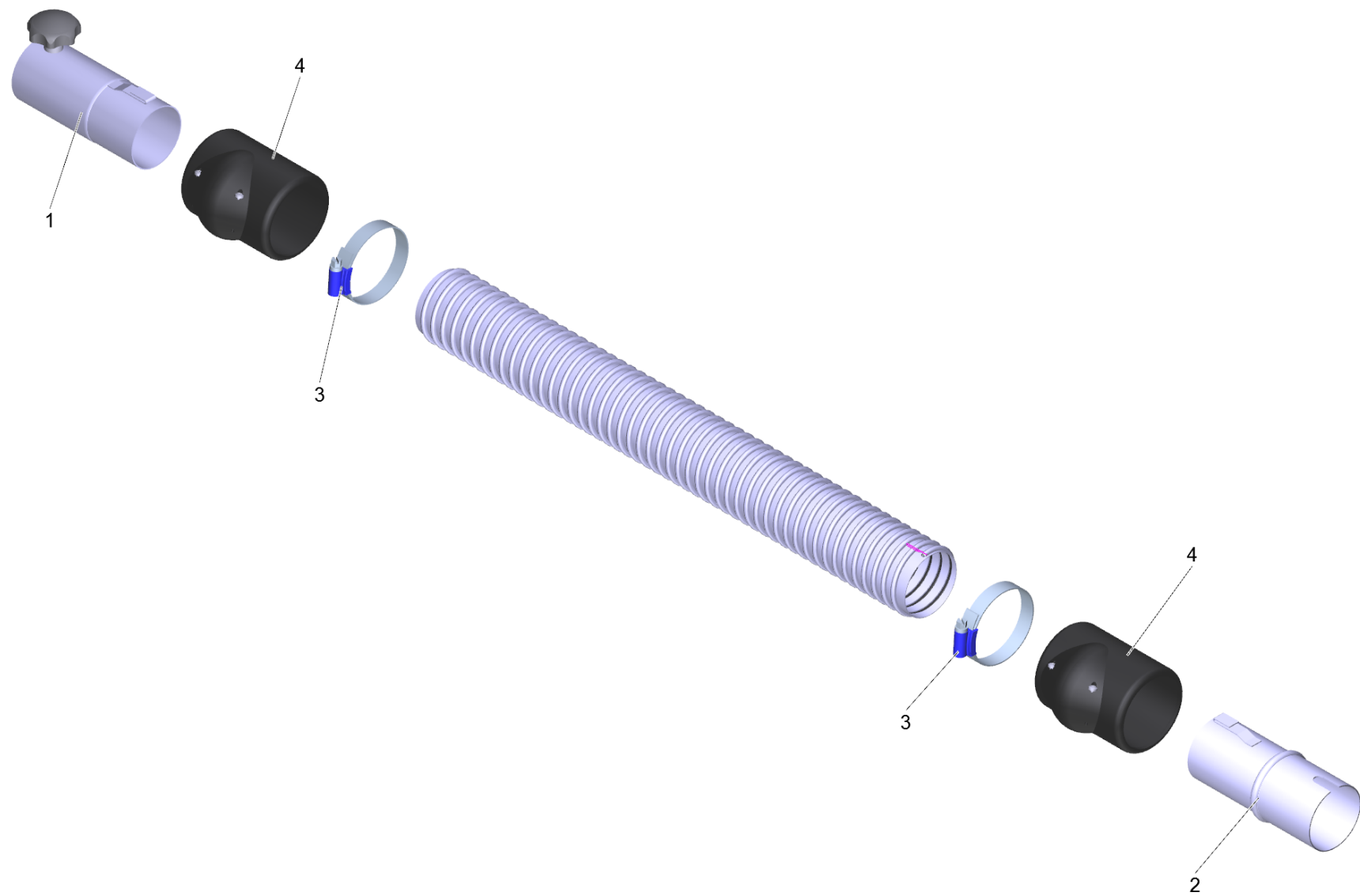
23 Extension hose PVC el. DN42 3m (6.907-310.0)

POS	Article no.	Description	Quantity	Unit
1	6.902-170.0	Accessories connection DN42	1.000	ST
2	6.902-172.0	Accessories connection rotatable DN42	1.000	ST
3	6.902-167.0	Hose clip 40-60 mm	2.000	ST
4	6.902-171.0	Hose collar DN42	2.000	ST
999	7.303-363.0	Sheet metal screw ST3,5X16,0-A2-20H-C-H	1.000	ST
999	6.303-555.0	Star grip M6	1.000	ST



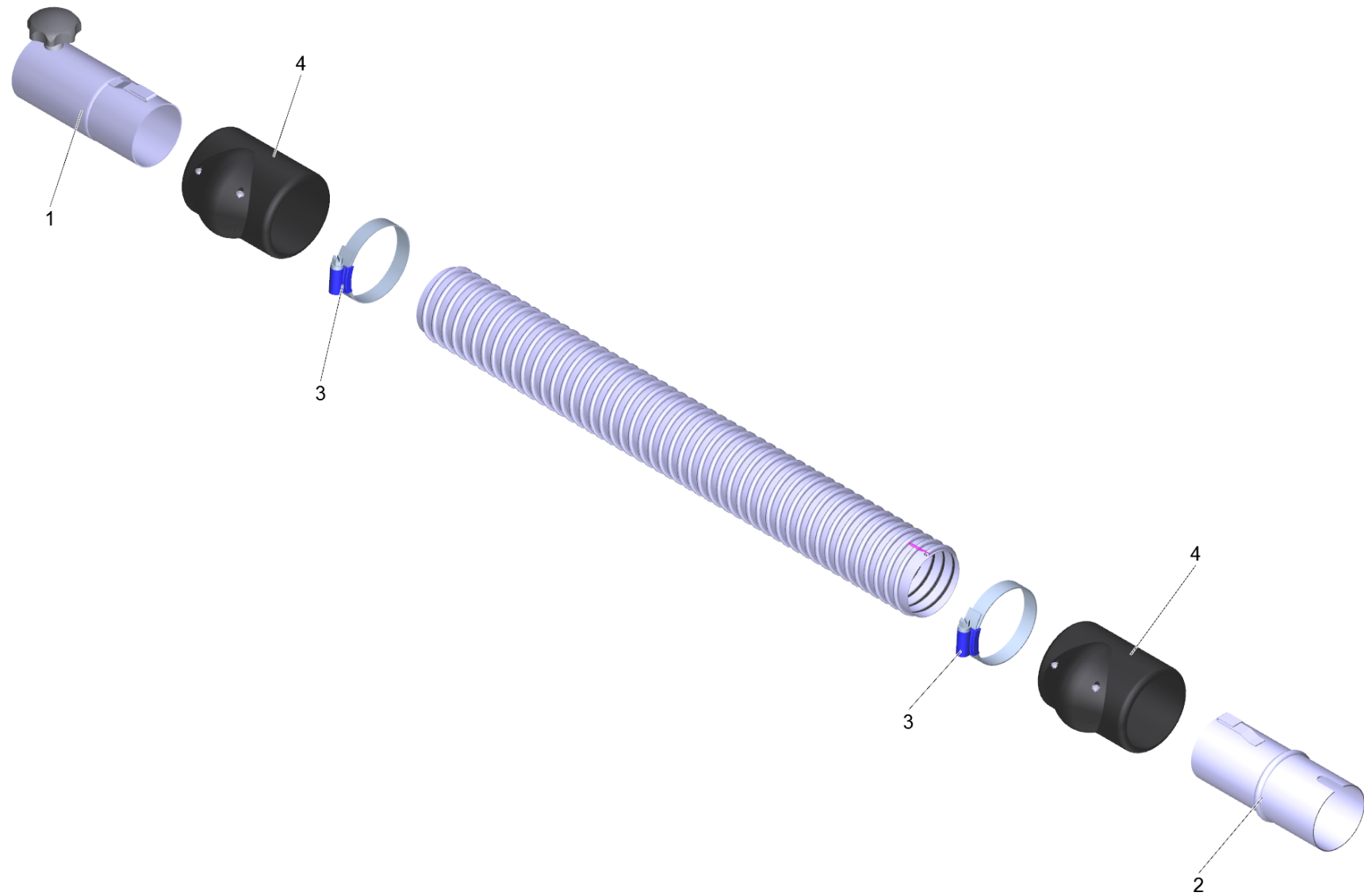
23 Extension hose PVC el. DN42 5m (6.907-311.0)

POS	Article no.	Description	Quantity	Unit
1	6.902-170.0	Accessories connection DN42	1.000	ST
2	6.902-172.0	Accessories connection rotatable DN42	1.000	ST
3	6.902-167.0	Hose clip 40-60 mm	2.000	ST
4	6.902-171.0	Hose collar DN42	2.000	ST
999	7.303-363.0	Sheet metal screw ST3,5X16,0-A2-20H-C-H	1.000	ST
999	6.303-555.0	Star grip M6	1.000	ST



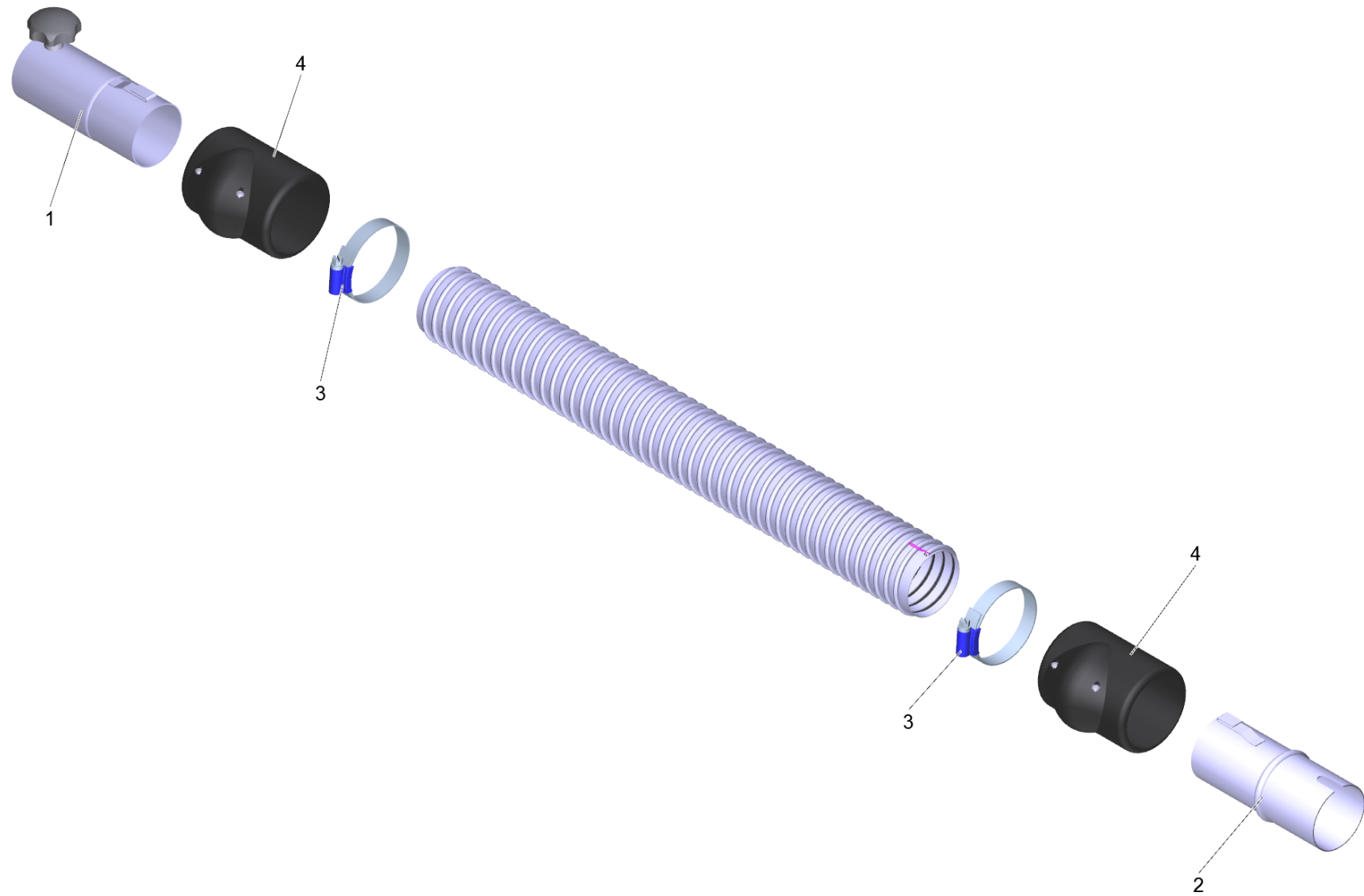
23 Extension hose PVC el. DN52 3m (6.907-312.0)

POS	Article no.	Description	Quantity	Unit
1	6.902-168.0	Accessories connection DN52	1.000	ST
2	6.902-169.0	Accessories connection rotatable DN52	1.000	ST
3	6.902-167.0	Hose clip 40-60 mm	2.000	ST
4	6.902-166.0	Hose collar DN52	2.000	ST
999	7.303-363.0	Sheet metal screw ST3,5X16,0-A2-20H-C-H	1.000	ST
999	6.303-554.0	Star grip M8	1.000	ST



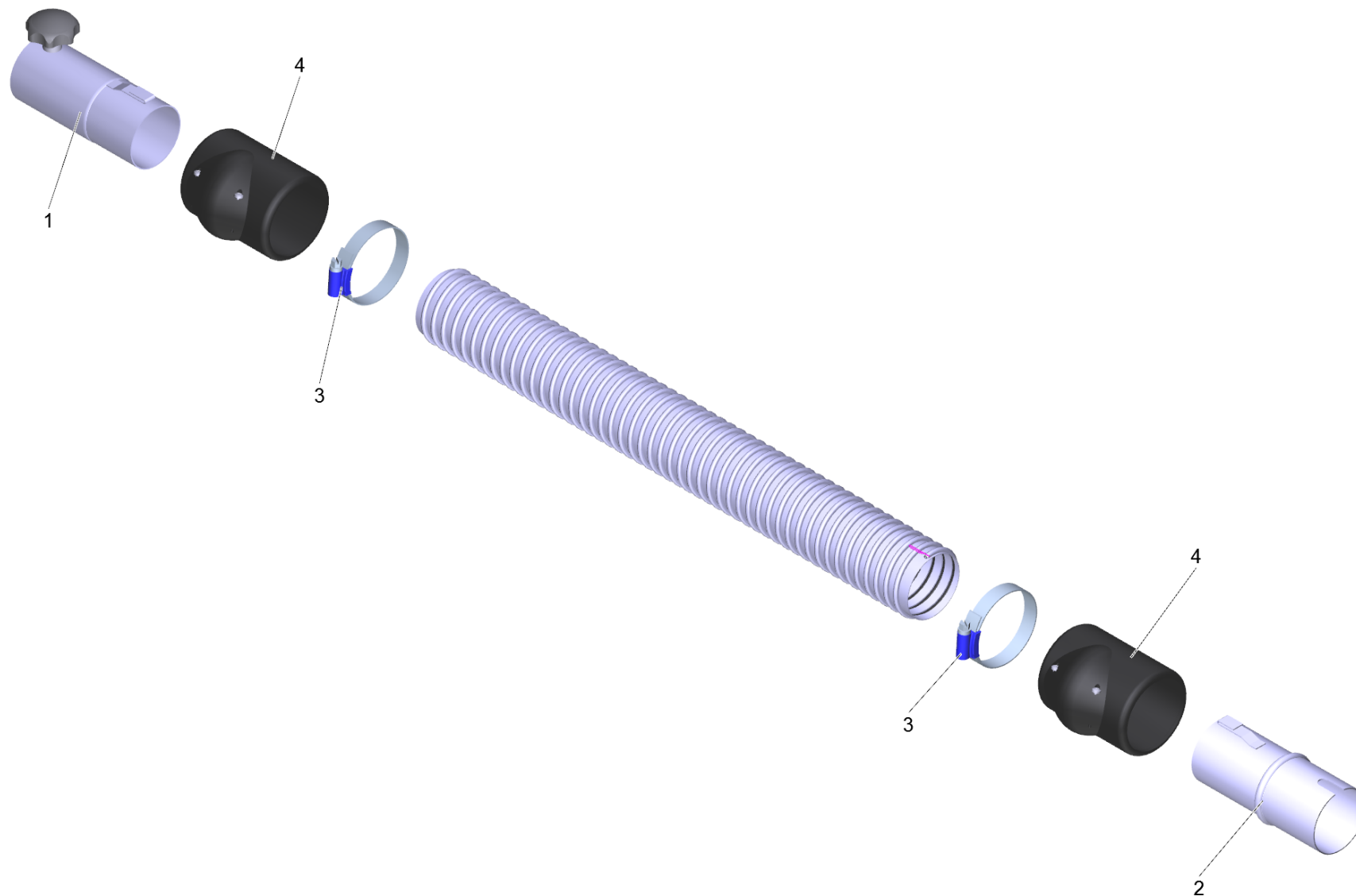
23 Extension hose PVC el. DN52 5m (6.907-313.0)

POS	Article no.	Description	Quantity	Unit
1	6.902-168.0	Accessories connection DN52	1.000	ST
2	6.902-169.0	Accessories connection rotatable DN52	1.000	ST
3	6.902-167.0	Hose clip 40-60 mm	2.000	ST
4	6.902-166.0	Hose collar DN52	2.000	ST
999	7.303-363.0	Sheet metal screw ST3,5X16,0-A2-20H-C-H	1.000	ST
999	6.303-554.0	Star grip M8	1.000	ST



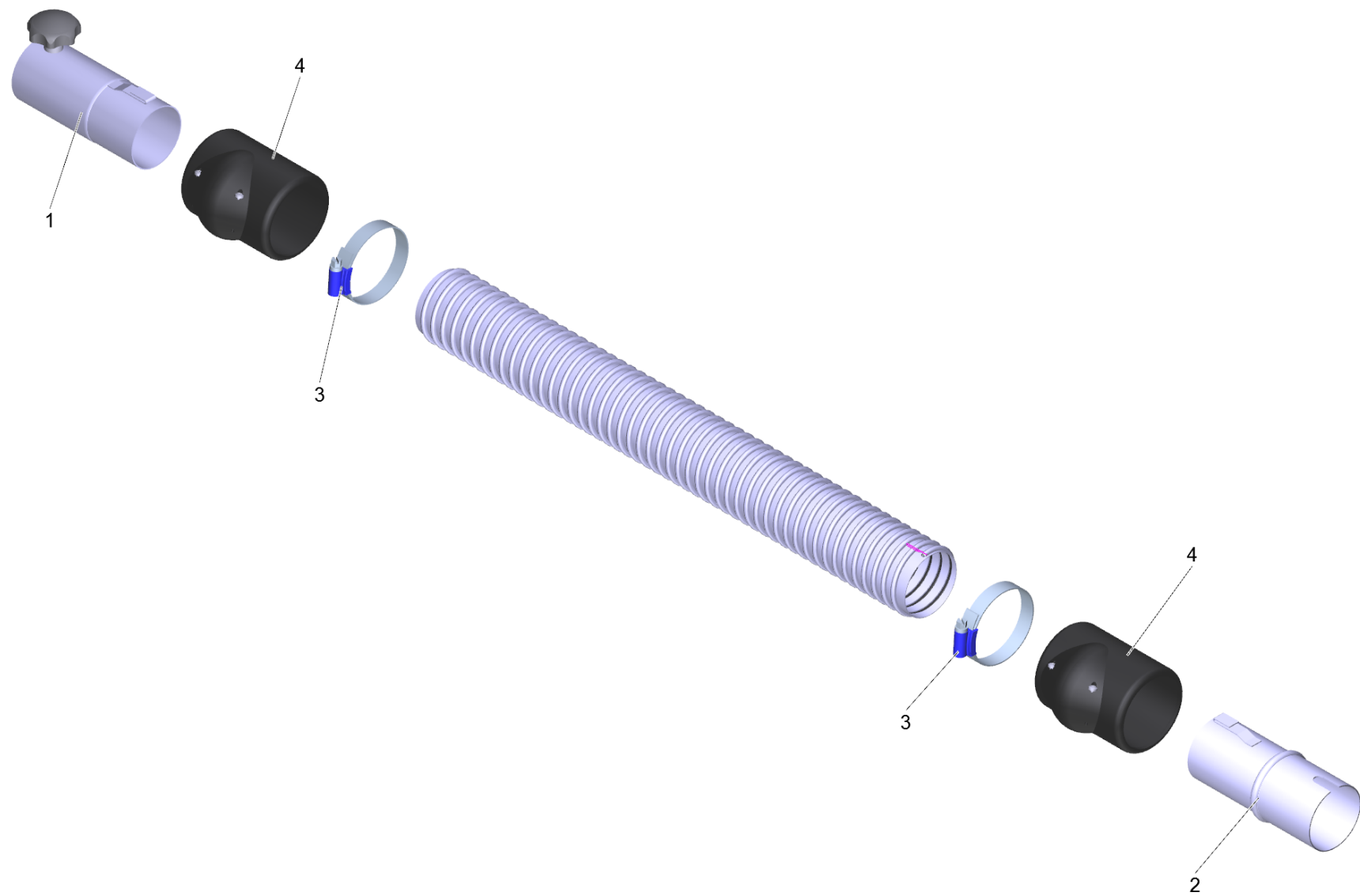
23 Extension hose PU el. DN42 3m (6.907-314.0)

POS	Article no.	Description	Quantity	Unit
1	6.902-170.0	Accessories connection DN42	1.000	ST
2	6.902-172.0	Accessories connection rotatable DN42	1.000	ST
3	6.902-167.0	Hose clip 40-60 mm	2.000	ST
4	6.902-171.0	Hose collar DN42	2.000	ST
999	7.303-363.0	Sheet metal screw ST3,5X16,0-A2-20H-C-H	1.000	ST
999	6.303-555.0	Star grip M6	1.000	ST



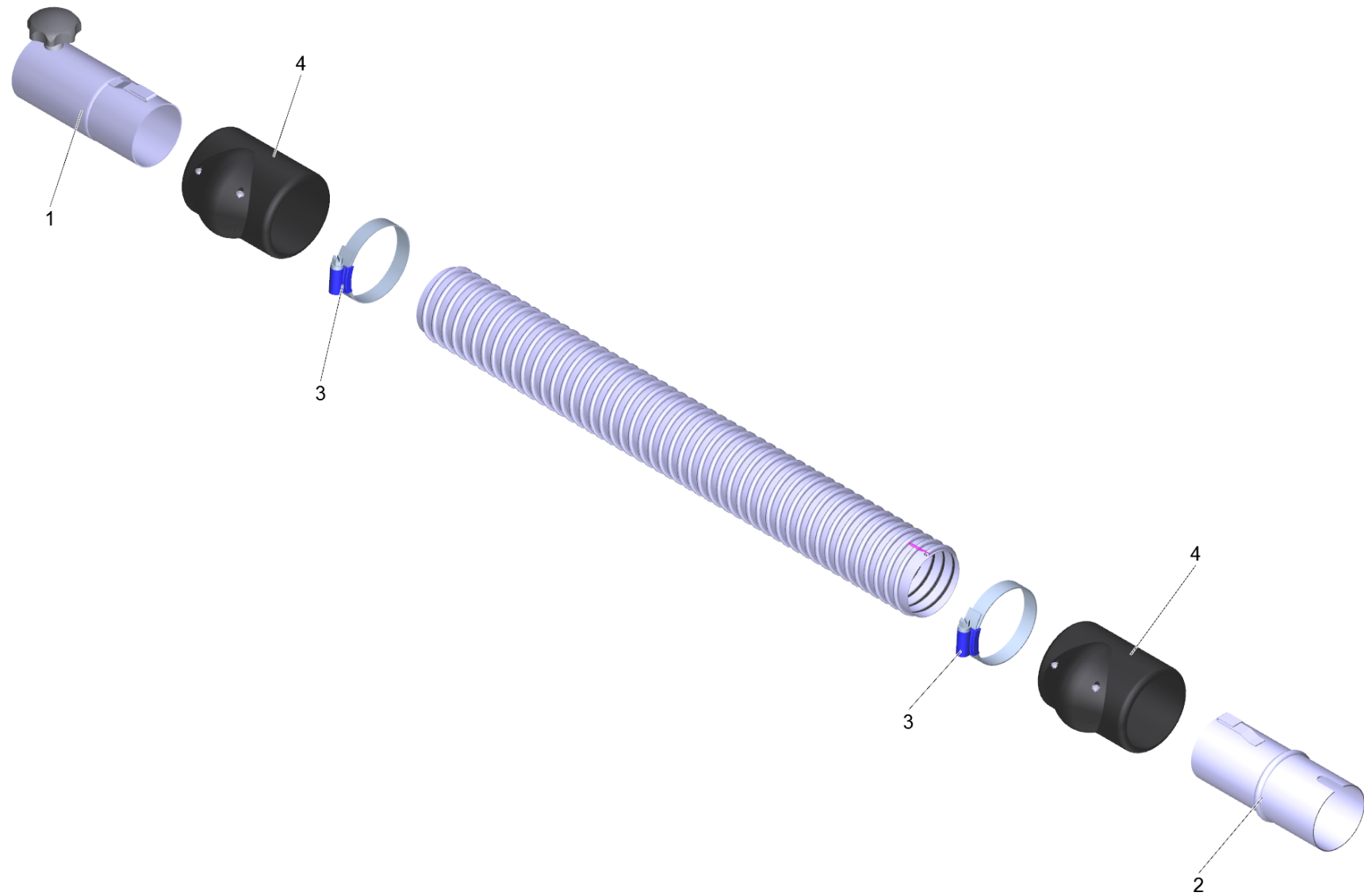
23 Extension hose PU el. DN42 5m (6.907-315.0)

POS	Article no.	Description	Quantity	Unit
1	6.902-170.0	Accessories connection DN42	1.000	ST
2	6.902-172.0	Accessories connection rotatable DN42	1.000	ST
3	6.902-167.0	Hose clip 40-60 mm	2.000	ST
4	6.902-171.0	Hose collar DN42	2.000	ST
999	7.303-363.0	Sheet metal screw ST3,5X16,0-A2-20H-C-H	1.000	ST
999	6.303-555.0	Star grip M6	1.000	ST



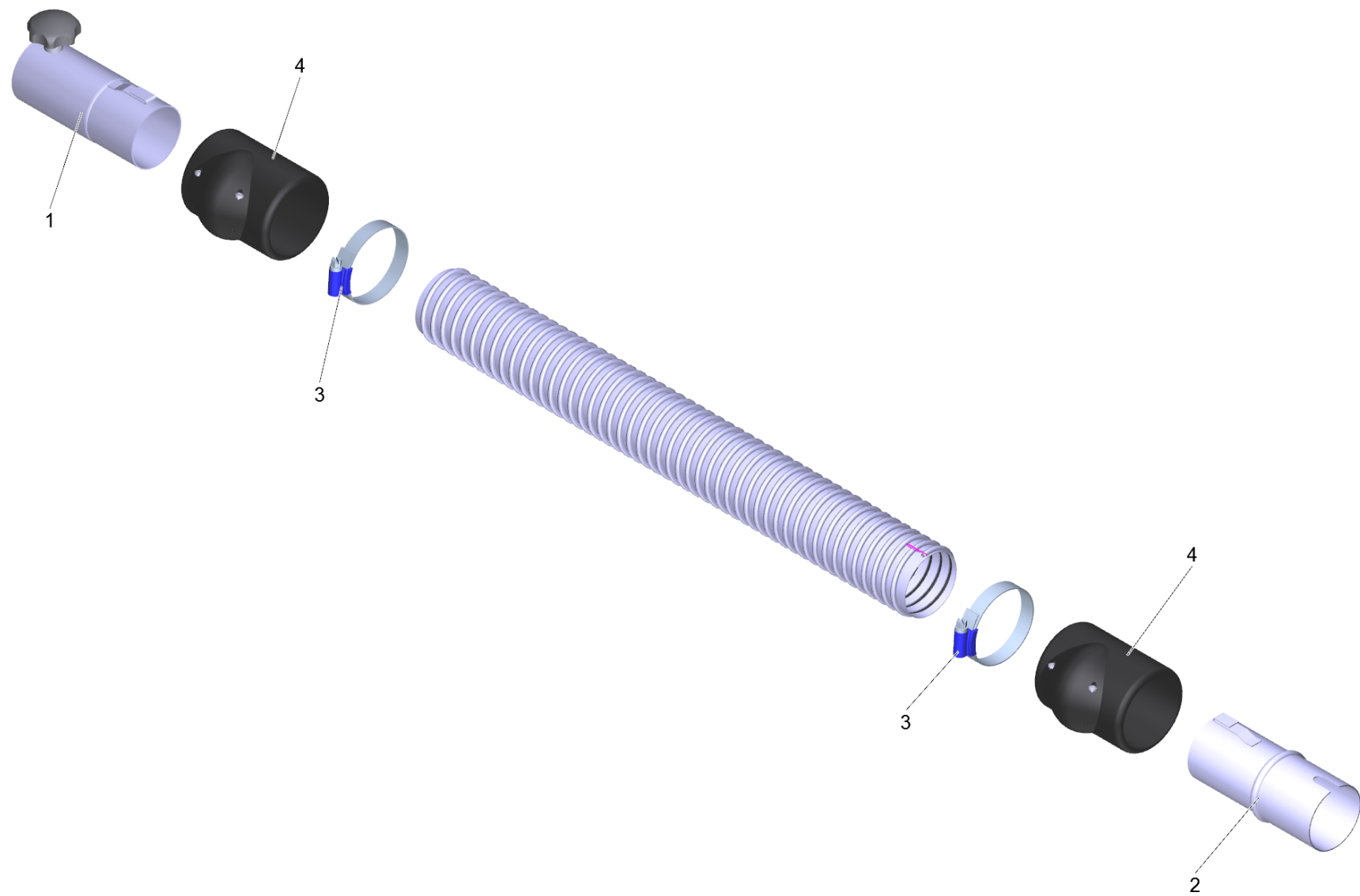
23 Extension hose PU el. DN52 3m (6.907-316.0)

POS	Article no.	Description	Quantity	Unit
1	6.902-168.0	Accessories connection DN52	1.000	ST
2	6.902-169.0	Accessories connection rotatable DN52	1.000	ST
3	6.902-167.0	Hose clip 40-60 mm	2.000	ST
4	6.902-166.0	Hose collar DN52	2.000	ST
999	7.303-363.0	Sheet metal screw ST3,5X16,0-A2-20H-C-H	1.000	ST
999	6.303-554.0	Star grip M8	1.000	ST



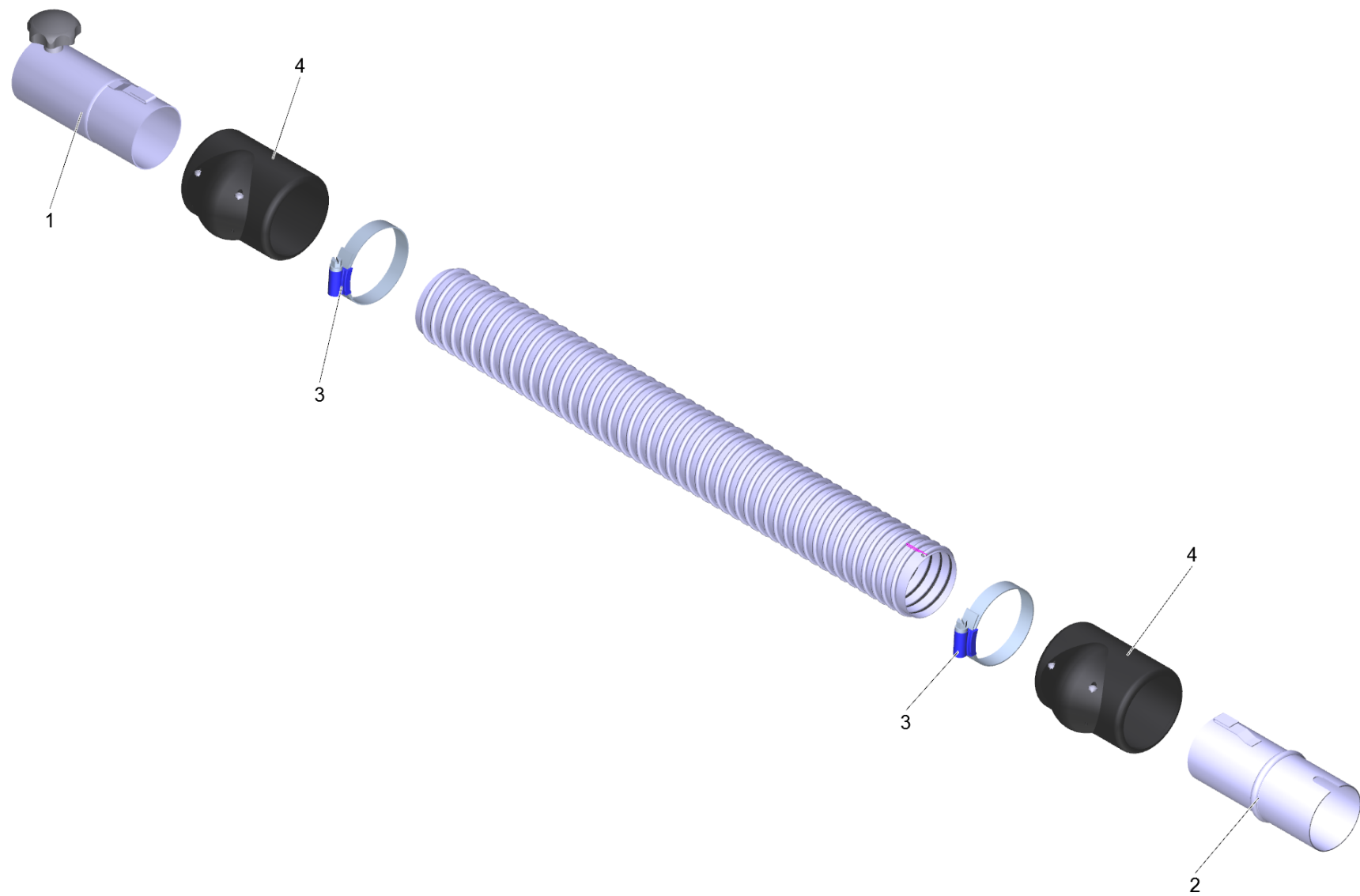
23 Extension hose PU el. DN52 5m (6.907-317.0)

POS	Article no.	Description	Quantity	Unit
1	6.902-168.0	Accessories connection DN52	1.000	ST
2	6.902-169.0	Accessories connection rotatable DN52	1.000	ST
3	6.902-167.0	Hose clip 40-60 mm	2.000	ST
4	6.902-166.0	Hose collar DN52	2.000	ST
999	7.303-363.0	Sheet metal screw ST3,5X16,0-A2-20H-C-H	1.000	ST
999	6.303-554.0	Star grip M8	1.000	ST



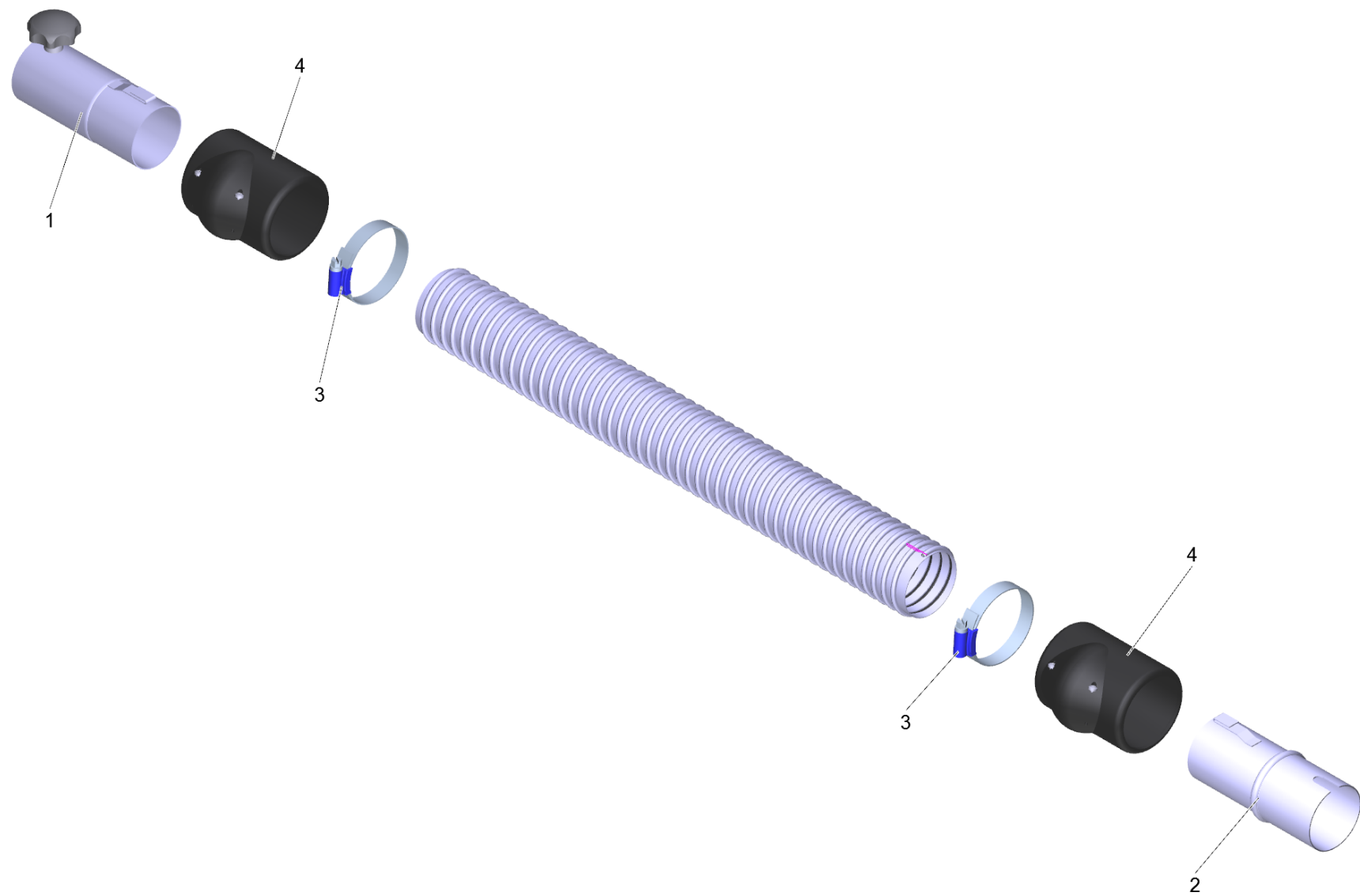
23 Extension hose ME-PU el. DN42 3m (6.907-318.0)

POS	Article no.	Description	Quantity	Unit
1	6.902-170.0	Accessories connection DN42	1.000	ST
2	6.902-172.0	Accessories connection rotatable DN42	1.000	ST
3	6.902-167.0	Hose clip 40-60 mm	2.000	ST
4	6.902-171.0	Hose collar DN42	2.000	ST
999	7.303-363.0	Sheet metal screw ST3,5X16,0-A2-20H-C-H	1.000	ST
999	6.303-555.0	Star grip M6	1.000	ST



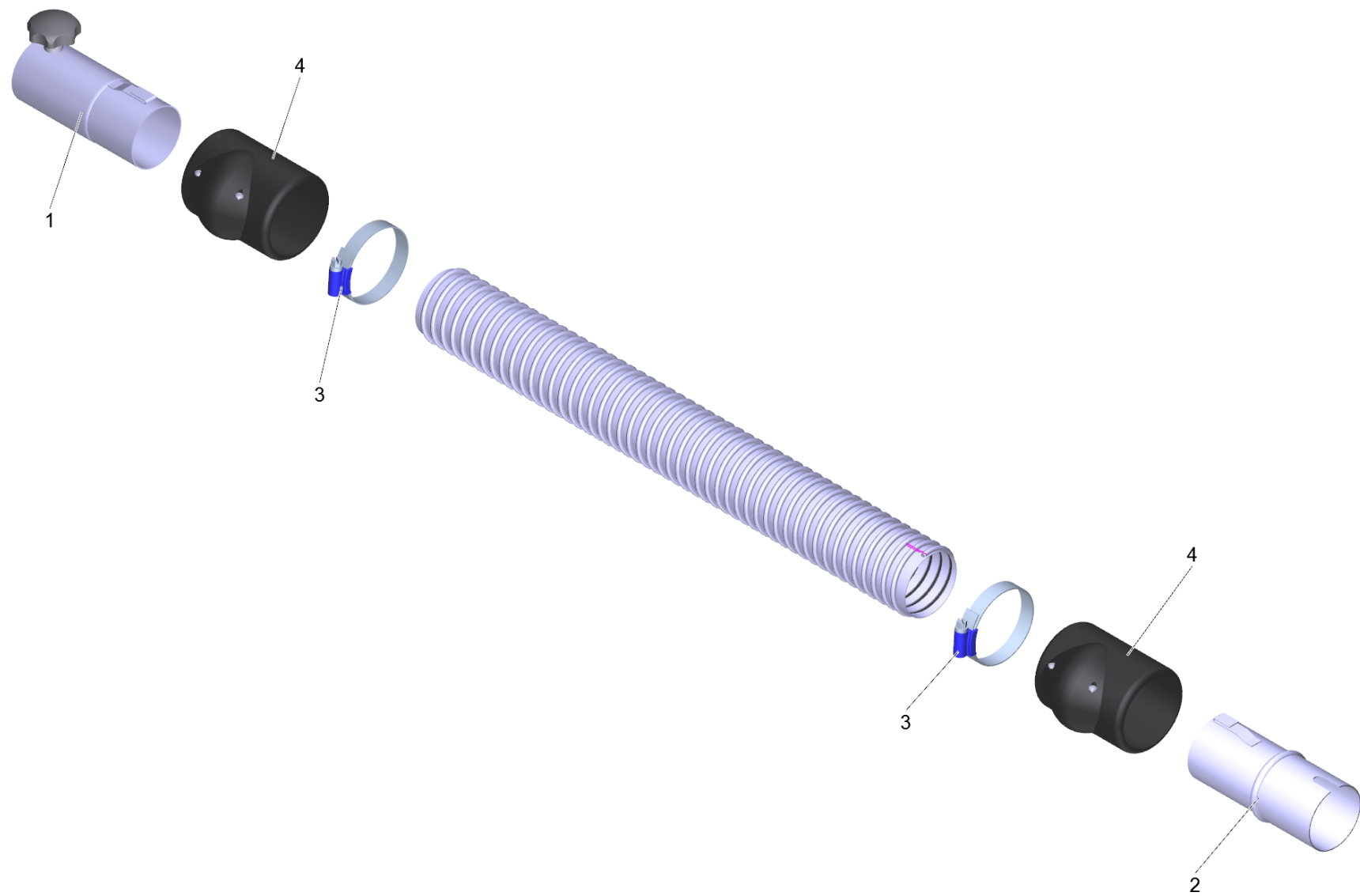
23 Extension hose ME-PU el. DN42 5m (6.907-319.0)

POS	Article no.	Description	Quantity	Unit
1	6.902-170.0	Accessories connection DN42	1.000	ST
2	6.902-172.0	Accessories connection rotatable DN42	1.000	ST
3	6.902-167.0	Hose clip 40-60 mm	2.000	ST
4	6.902-171.0	Hose collar DN42	2.000	ST
999	7.303-363.0	Sheet metal screw ST3,5X16,0-A2-20H-C-H	1.000	ST
999	6.303-555.0	Star grip M6	1.000	ST



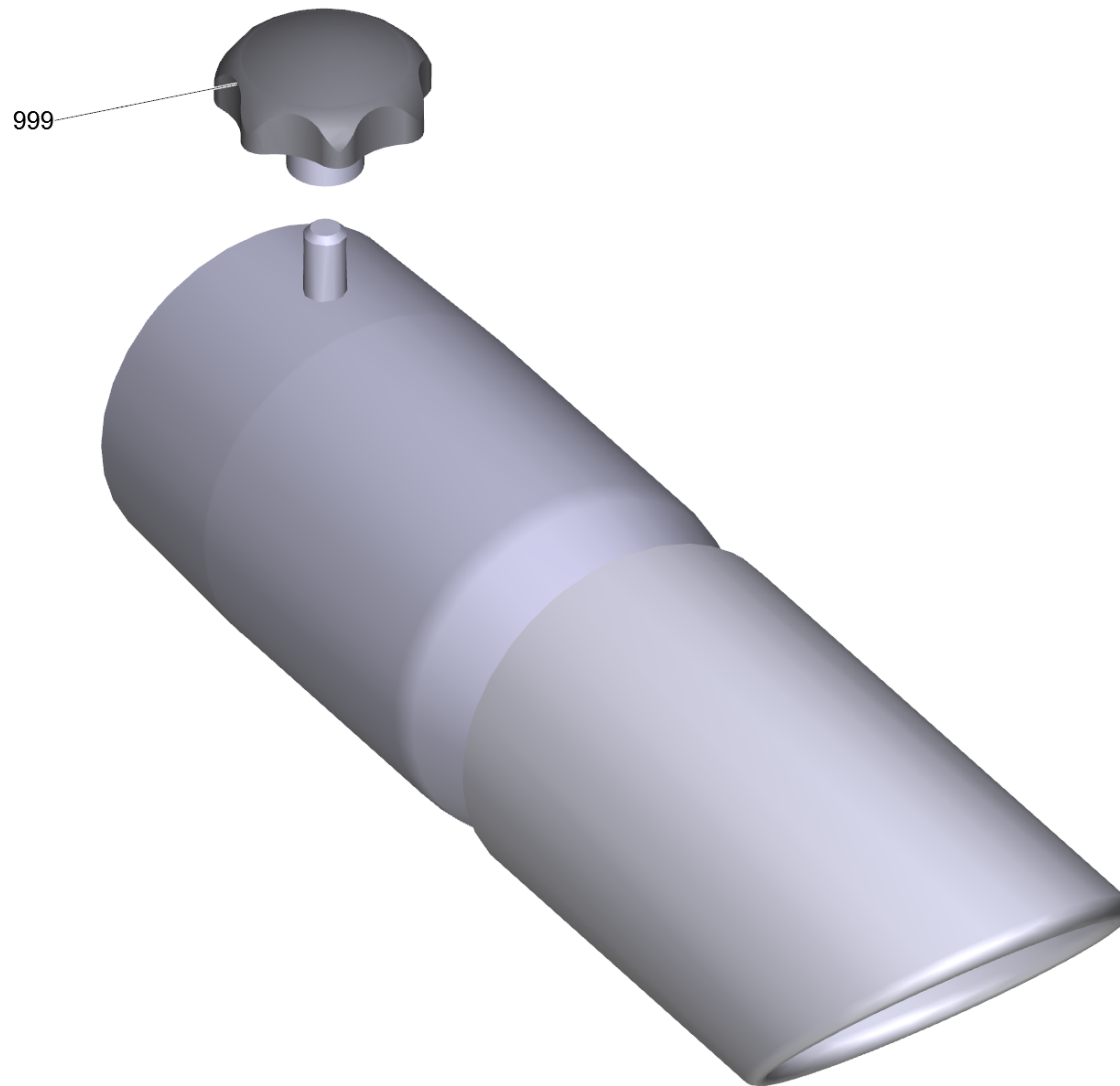
23 Extension hose ME-PU el. DN52 3m (6.907-320.0)

POS	Article no.	Description	Quantity	Unit
1	6.902-168.0	Accessories connection DN52	1.000	ST
2	6.902-169.0	Accessories connection rotatable DN52	1.000	ST
3	6.902-167.0	Hose clip 40-60 mm	2.000	ST
4	6.902-166.0	Hose collar DN52	2.000	ST
999	7.303-363.0	Sheet metal screw ST3,5X16,0-A2-20H-C-H	1.000	ST
999	6.303-554.0	Star grip M8	1.000	ST



23 Extension hose ME-PU el. DN52 5m (6.907-321.0)

POS	Article no.	Description	Quantity	Unit
1	6.902-168.0	Accessories connection DN52	1.000	ST
2	6.902-169.0	Accessories connection rotatable DN52	1.000	ST
3	6.902-167.0	Hose clip 40-60 mm	2.000	ST
4	6.902-166.0	Hose collar DN52	2.000	ST
999	7.303-363.0	Sheet metal screw ST3,5X16,0-A2-20H-C-H	1.000	ST
999	6.303-554.0	Star grip M8	1.000	ST



26 Nozzle elastic plastics DN72 (6.902-198.0)

POS	Article no.	Description	Quantity	Unit
999	6.303-554.0	Star grip M8	1.000	ST